

OCR10-M63901EN

P R E F A C E

1. This parts catalog for 6BYseries is published as a revised edition of the Diesel engine.

	Parts catalog No.	Date of issue	Remarks
First edition	000Y00R6390	March,2006	No need
1st revised edition	000Y00R6391	March,2007	

2.This parts catalog dose not contain the technical data needed for maintenance service.

3.The illustrations used in this parts catalog have been simplified for clarity.

4. The contents of this parts catalog are subject to change without notice.

5.Be sure to use only Yanmar genuine parts for repairs. If imitation parts are used,
it may cause engine defects.

Contents

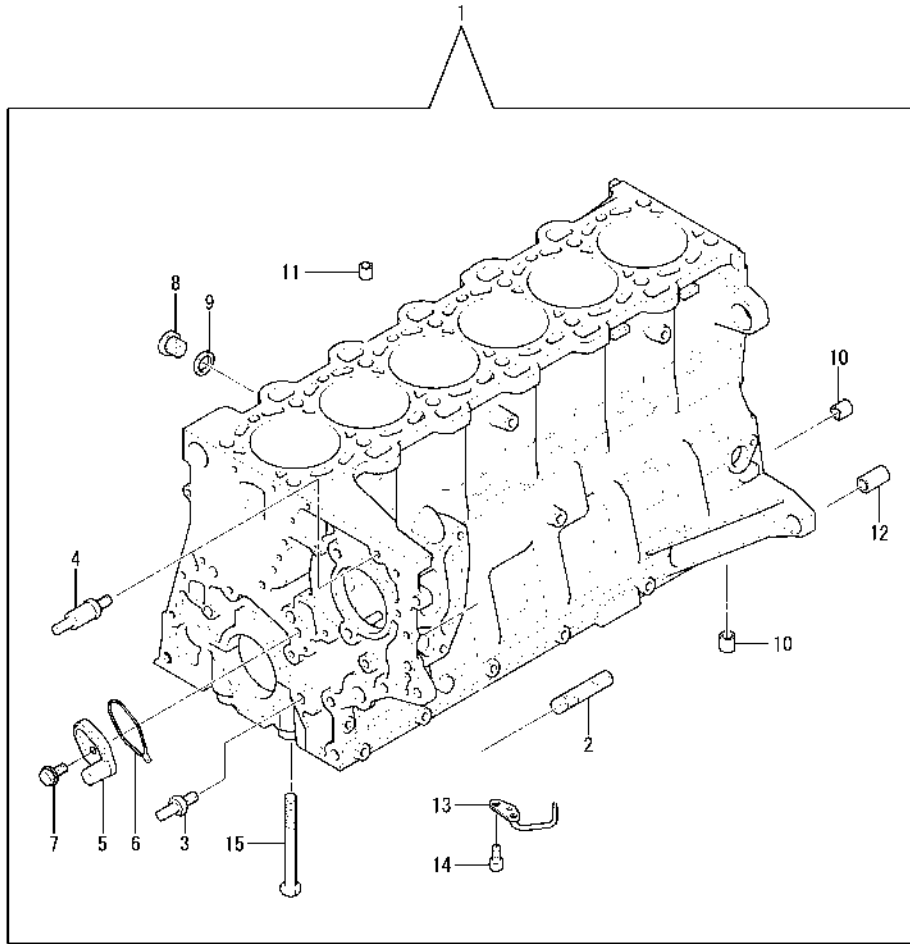
OCR10-M63901

Fig. No.	Fig. Name	Fig. No.	Fig. Name
6BY		25.	COOLING SEA WATER PUMP
1.	CYLINDER BLOCK	26.	HEAT EXCHANGER
2.	LOWER TIMING CASE/BELT W PUMP	27.	HEAT EXCHANGER(INNER PARTS)
3.	FLYWHEEL HOUSING	28.	HOSE, FW PUMP
4.	OIL PAN/LUB. OIL SUMP	29.	MIXING ELBOW
5.	ENGINE BRACKET	30.	BILGE PUMP(OPTION)
6.	LABEL	31.	STEERING OIL COOLER
7.	CYL.HEAD/VALVE TRAIN-CAMSHAFT	32.	STEERING PUMP/PIPE
8.	CYL.HEAD ATTACHED/GLOW PLUG	33.	FUEL OIL FILTER/PIPE
9.	CYLINDER HEAD COVER	34.	PUMP, FUEL LOW
10.	INTAKE MANIFOLD	35.	HIGH-PRESSURE PUMP/INJECTOR
11.	TURBOCHARGER & AIR FILTER	36.	FUEL FILTER
12.	CRANKSHAFT WITH BEARING SHELLS	37.	STARTER
13.	FLYWHEEL & CYL.MOUNTING PARTS	38.	ALTERNATOR
14.	PISTON & CONNECTING ROD	39.	WIRE HARNESS(ECU)
15.	TIMING CHAIN LOWER P/DAMPER	40.	WIRE HARNESS
16.	TIMING GEAR TIMING CHAIN TOP	41.	AIR HEATER(OPTION)
17.	V-BELT	42.	ECU
18.	LUB.OIL PUMP	43.	TOP COVER
19.	LUB.OIL FILTER		
20.	ROTARY PUMP(OPTION)		
21.	LUB.OILPIPE(TURBOCHARGER)		
22.	AIR COOLER		
23.	AIR COOLER(INNER PARTS)		
24.	WATER PUMP		

Fig.1. CYLINDER BLOCK

(A)=6BY220
(B)=6BY260
(C)=6BY220Z

(D)=6BY260Z
(E)=
(F)=



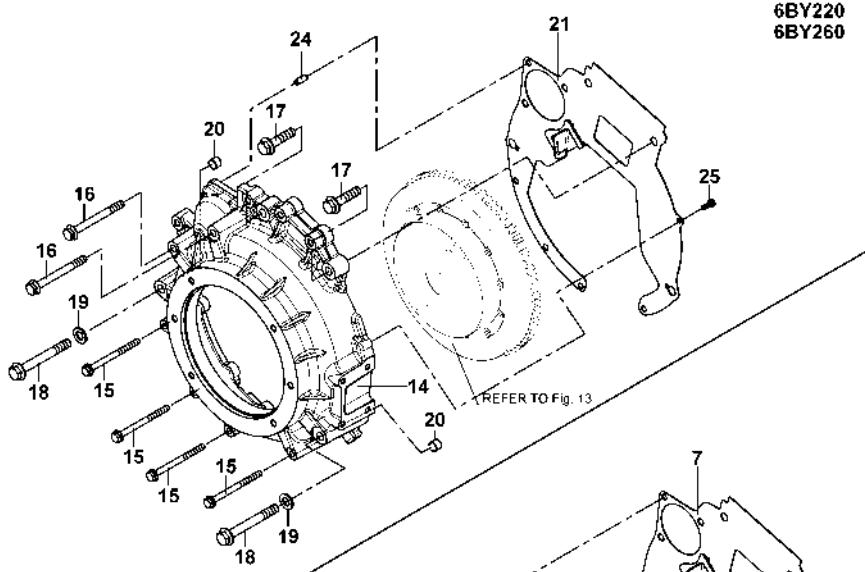
No.	Lev.	Parts No.	Description	Q'ty						I	R
				(A)	(B)	(C)	(D)	(E)	(F)		
1	1	165000-93360	BLOCK ASSY,W/PISTON	1	1	1	1				
2	2	165000-67790	STUD, M8X42	3	3	3	3				
3	2	165000-67730	BOLT, BEARING	3	3	3	3				
4	2	165000-67760	BOLT, BEARING	1	1	1	1				
5	2	165000-67780	NOZZLE, OIL SPRAYING	1	1	1	1				
6	2	165000-67750	GASKET, PROFILE	1	1	1	1				
7	2	165000-67400	SCREW, HEAD M6X16	1	1	1	1				
8	2	165000-67290	PLUG, SCREW M14X1.5	1	1	1	1				
9	2	165000-67470	RING, GASKET 14X20	1	1	1	1				
10	2	165000-67880	DOWEL, D=10.5MM	6	6	6	6				
11	2	165000-67720	DOWEL, D=14.5MM	2	2	2	2				
12	2	165000-67740	DOWEL, D=14.5MM	2	2	2	2				
13	2	165000-69480	NOZZLE, OIL SPRAYING	6	6	6	6				
14	2	165000-67410	SCREW, HEAD M6X10	12	12	12	12				
15	2	165000-67770	BOLT, HEX M10X80	14	14	14	14				

Fig.3. FLYWHEEL HOUSING

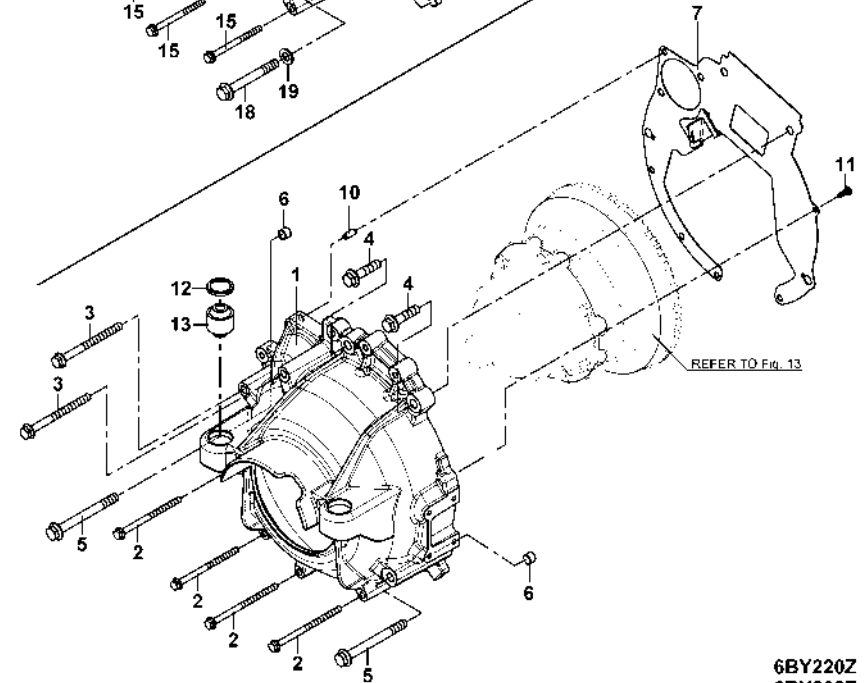
(A)=6BY220
(B)=6BY260
(C)=6BY220Z

(D)=6BY260Z
(E)=
(F)=

No.	Lev.	Parts No.	Description	Qty						I	R
				(A)	(B)	(C)	(D)	(E)	(F)		
1	1	120660-01710	HOUSING, FLYWHEEL DR			1	1				
2	1	120640-01950	FLANGE BOLT, 8X130			4	4				
3	1	120640-02020	FLANGE BOLT, 10X130			2	2				
4	1	120640-02050	FLANGE BOLT, 12X50			2	2				
5	1	120640-02060	FLANGE BOLT, 12X130			2	2				
6	1	120640-00100	DOWEL PIN, 14.5			2	2				
7	1	120660-01900	PLATE ASSY, FWH			1	1				
8	2	120660-01910	PLATE, FWH			1	1				
9	2	120640-00050	COVER, CRANK SENSOR			1	1				
10	1	120640-00220	PIN, PARALLEL			1	1				
11	1	120640-01460	BOLT, 6X12			1	1				
12	1	119778-08350	SPACER			2	2				
13	1	120650-01760	MOUNT,RUBBER			2	2				
14	1	120662-01810	HOUSING, FLYWHEEL	1	1						
15	1	120640-01940	FLANGE BOLT, 8X100	4	4						
16	1	120640-02010	FLANGE BOLT, 10X100	2	2						
17	1	120640-02050	FLANGE BOLT, 12X50	2	2						
18	1	120640-02040	BOLT, 12X100	2	2						
19	1	120640-02250	WASHER, 12	2	2						
20	1	120640-00100	DOWEL PIN, 14.5	2	2						
21	1	120660-01900	PLATE ASSY, FWH	1	1						
22	2	120660-01910	PLATE, FWH	1	1						
23	2	120640-00050	COVER, CRANK SENSOR	1	1						
24	1	120640-00220	PIN, PARALLEL	1	1						
25	1	120640-01460	BOLT, 6X12	1	1						



6BY220
6BY260

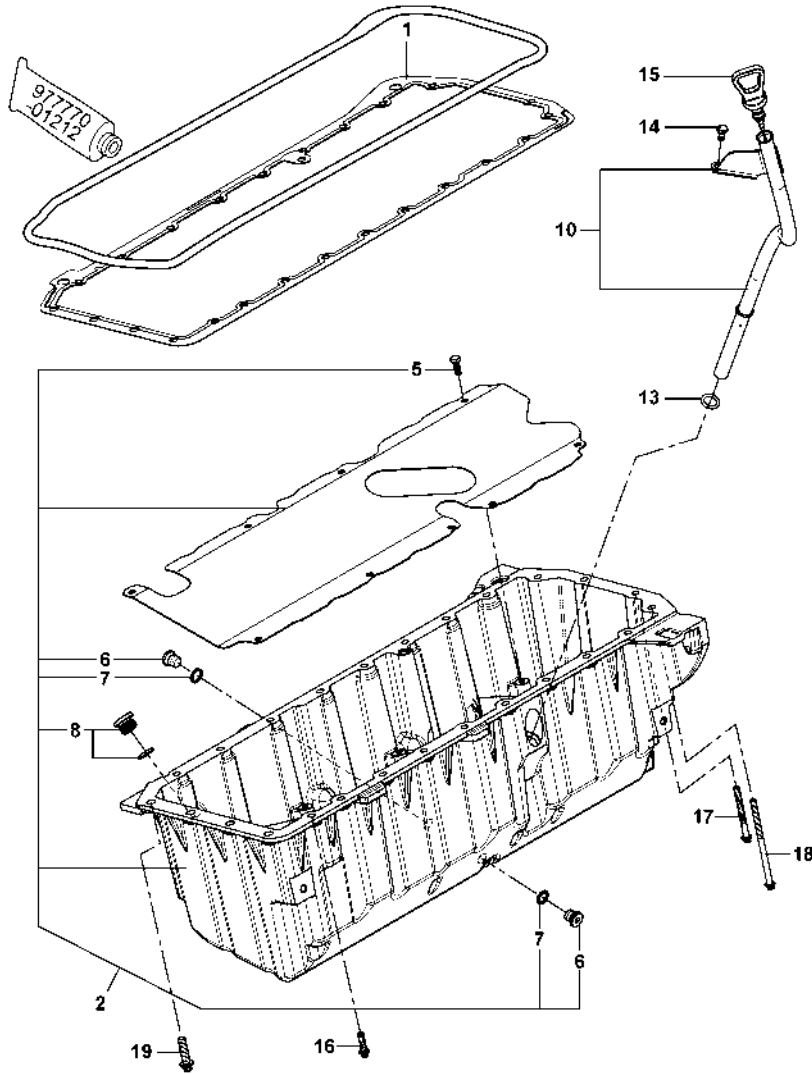


6BY220Z
6BY260Z

Fig.4. OIL PAN/LUB. OIL SUMP

(A)=6BY220
(B)=6BY260
(C)=6BY220Z

(D)=6BY260Z
(E)=
(F)=

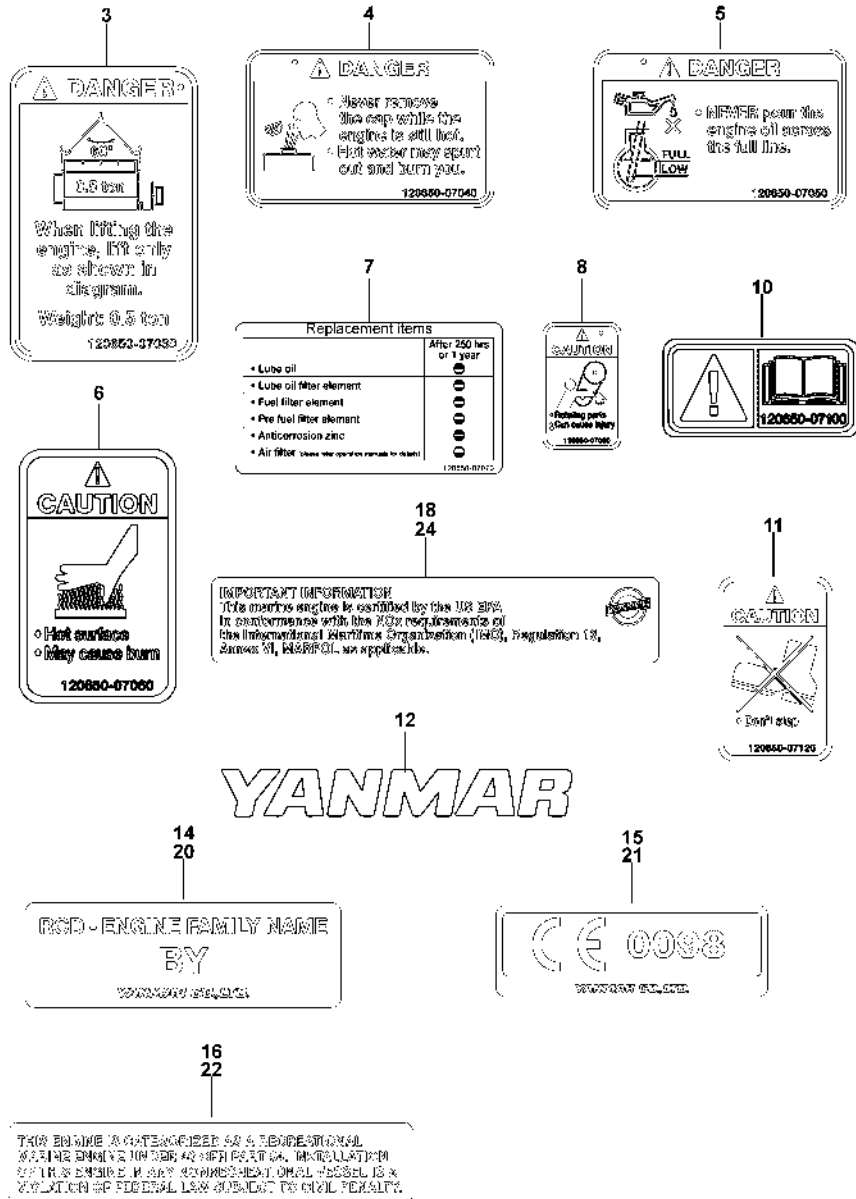


No.	Lev.	Parts No.	Description	Qty						I	R
				(A)	(B)	(C)	(D)	(E)	(F)		
1	1	165000-68310	GASKET, OIL SUMP	1	1	1	1				
2	1	165000-93260	SUMP ASSY, OIL	1	1	1	1				
5	2	120650-51620	TAPPING BOLT, 6X16	9	9	9	9				
6	2	120640-00190	PLUG, M12	2	2	2	2				
7	2	120640-01230	GASKET, 12X1.5	2	2	2	2				
8	2	165000-93270	PLUG, M18	1	1	1	1				
10	1	120660-34840	GUIDE ASSY, DIPSTICK	1	1	1	1				
13	1	120650-34890	O-RING, 14X3	1	1	1	1				
14	1	120650-51620	TAPPING BOLT, 6X16	1	1	1	1				
15	1	120640-00070	DIPSTICK, OIL	1	1	1	1				
15-1	1	120660-34840	GUIDE ASSY, DIPSTICK	1	1	1	1				N
16	1	165000-68330	BOLT, TORX M6X22	18	18	18	18				
16-1	1	165001-35980	BOLT, TORX M6X22	18	18	18	18				R
		(A=E*****) (B=E*****) (C=E*****) (D=E*****)									
17	1	165000-68340	BOLT, TORX M6X60	2	2	2	2				
17-1	1	165001-35810	BOLT, TORX M6X60	2	2	2	2				R
		(A=E*****) (B=E*****) (C=E*****) (D=E*****)									
18	1	165000-68350	BOLT, TORX M6X100	2	2	2	2				
18-1	1	165001-35820	BOLT, TORX M6X100	2	2	2	2				R
19	1	165000-68360	BOLT, TORX M8X30	3	3	3	3				
19-1	1	165001-25170	BOLT, TORX	3	3	3	3				R
20	1	165000-93230	PLUG, SCREW M10X1	1	1	1	1				W
		(A=*03.04.06) (B=*03.04.06) (C=*03.04.06) (D=*03.04.06)									
21	1	165000-93240	RING, GASKET	1	1	1	1				W
		(A=*03.04.06) (B=*03.04.06) (C=*03.04.06) (D=*03.04.06)									
22	1	165000-93270	PLUG, SCREW	1	1	1	1				W
		(A=*03.04.06) (B=*03.04.06) (C=*03.04.06) (D=*03.04.06)									

Fig.6. LABEL

(A)=6BY220
(B)=6BY260
(C)=6BY220Z

(D)=6BY260Z
(E)=
(F)=



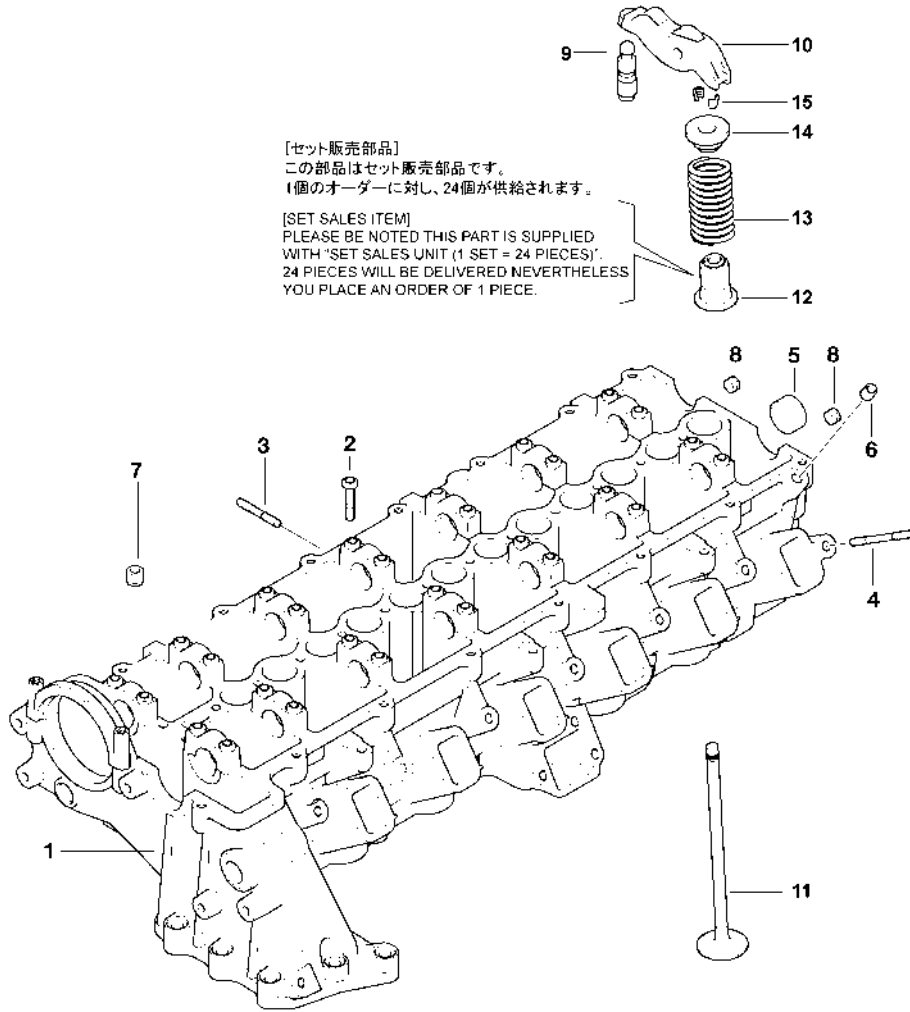
No.	Lev.	Parts No.	Description	Qty						I	R
				(A)	(B)	(C)	(D)	(E)	(F)		
3	1	120650-07030	LABEL, LIFTER	1	1	1	1				
4	1	120650-07040	LABEL, PRESSURE CAP	1	1	1	1				
5	1	120650-07050	LABEL, OIL DANGER	1	1	1	1				
6	1	120650-07060	LABEL, HOT SURFACE	1	1	1	1				
7	1	120650-07070	LABEL, INTERVAL	1	1	1	1				
8	1	120650-07080	LABEL, ROTATION ENG.	1	1	1	1				
10	1	120650-07100	LABEL, MANUAL	1	1	1	1				
11	1	120650-07120	LABEL, DONT STEP	1	1	1	1				
12	1	120650-07130	LABEL, YANMAR LOGO	1	1	1	1				
14	1	120650-07160	LABEL, RCD FAMILY NA	1	1	1	1				
14-1	1	120650-07161	LABEL, RCD		1		1				N
15	1	120650-07170	LABEL, CE MARK	1	1	1	1				
15-1	1	120650-07171	LABEL, RCD-CE		1		1				N
16	1	120650-07190	LABEL, RECREATIONAL	1	1	1	1				
16-1	1	120650-07191	LABEL, RECREATIONAL		1		1				N
18	1	120650-07110	LABEL, IMO	1	1	1	1				
18-1	1	120650-07111	LABEL, IMO		1		1				N
20	1	120650-07160	LABEL, RCD FAMILY NA	1	1	1	1				
20-1	1	120650-07161	LABEL, RCD	1		1					N
21	1	120650-07170	LABEL, CE MARK	1	1	1	1				
21-1	1	120650-07171	LABEL, RCD-CE	1		1					N
22	1	120650-07190	LABEL, RECREATIONAL	1	1	1	1				
22-1	1	120650-07191	LABEL, RECREATIONAL	1		1					N
24	1	120650-07110	LABEL, IMO	1	1	1	1				
24-1	1	120650-07111	LABEL, IMO	1		1					N

Fig.7. CYL.HEAD/VALVE TRAIN-CAMSHAFT

(A)=6BY220
(B)=6BY260
(C)=6BY220Z

(D)=6BY260Z
(E)=
(F)=

No.	Lev.	Parts No.	Description	Q'ty						I	R
				(A)	(B)	(C)	(D)	(E)	(F)		
1	1	165000-68210	HEAD, CYLINDER	1	1	1	1				
1-1	1	165001-35920	HEAD, CYLINDER	1	1	1	1				R
		(A=E*****) (B=E*****) (C=E*****) (D=E*****)									
2	1	165000-67920	BOLT, TORX M6X30	28	28	28	28				
3	1	165000-68130	STUD, M8X55	12	12	12	12				
4	1	165000-67930	STUD, M7X65	7	7	7	7				
4-1	1	165001-39240	STUD, M7X65	7	7	7	7				R
5	1	165000-67420	COVER, D=24MM	2	2	2	2				
6	1	165000-67870	PLUG, SCREW M8X1	2	2	2	2				
7	1	165000-67910	PLUG, SCREW M12X1.5	1	1	1	1				
8	1	165000-67900	PLUG, SCREW M14X1.5	2	2	2	2				
8-1	1	165001-35970	PLUG, SCREW M14X1.5	2	2	2	2				R
		(A=E*****) (B=E*****) (C=E*****) (D=E*****)									
9	1	165000-69290	ROD, VALVE PUSH	24	24	24	24				
10	1	165000-69280	LEVER, DRAG	24	24	24	24				
11	1	165000-69320	VALVE, 25.9/5.92MM	24	24	24	24				
12	1	165000-69350	SEAL RING SET, VALVE	1	1	1	1				
13	1	165000-69330	SPRING, VALVE	24	24	24	24				
14	1	165000-69310	PLATE, SPRING UPPER	24	24	24	24				
15	1	165000-69300	COLLET, VALVE D=6	48	48	48	48				



[セット販売部品]
この部品はセット販売部品です。
1個のオーダーに対し、24個が供給されます。
[SET SALES ITEM]
PLEASE BE NOTED THIS PART IS SUPPLIED
WITH "SET SALES UNIT (1 SET = 24 PIECES)".
24 PIECES WILL BE DELIVERED NEVERTHELESS
YOU PLACE AN ORDER OF 1 PIECE.

Fig.8. CYL.HEAD ATTACHED/GLOW PLUG

(A)=6BY220
(B)=6BY260
(C)=6BY220Z

(D)=6BY260Z
(E)=
(F)=

No.	Lev.	Parts No.	Description	Q'ty						I	R
				(A)	(B)	(C)	(D)	(E)	(F)		
1A	1	165000-68050	GASKET, HEAD 1-HOLE	1	1	1	1				
1B	1	165000-68060	GASKET, HEAD 2-HOLE	1	1	1	1				
1C	1	165000-68070	GASKET, HEAD 3-HOLE	1	1	1	1				
2	1	165000-68280	BOLT SET, CYL.HEAD	1	1	1	1				
3	1	165000-67090	SCREW, M8X35	7	7	7	7				
3-1	1	165001-35680	SCREW, M8X35	7	7	7	7				R
		(A=E*****)	(B=E*****)	(C=E*****)	(D=E*****)						
4	1	165000-67990	LOOP	1	1	1	1				
5	1	165000-68000	SCREW, COUNTERSUNK	2	2	2	2				
6	1	165000-70660	SENSOR, TEMPERATURE	1	1	1	1				
7	1	165000-70000	PLUG, GLOW	6	6	6	6				

[セット販売部品]
この部品はセット販売部品です。
1個のオーダーに対し、14個が供給されます。

[SET SALES ITEM]
PLEASE BE NOTED THIS PART IS SUPPLIED
WITH "SET SALES UNIT (1 SET = 14 PIECES)".
14 PIECES WILL BE DELIVERED NEVERTHELESS
YOU PLACE AN ORDER OF 1 PIECE.

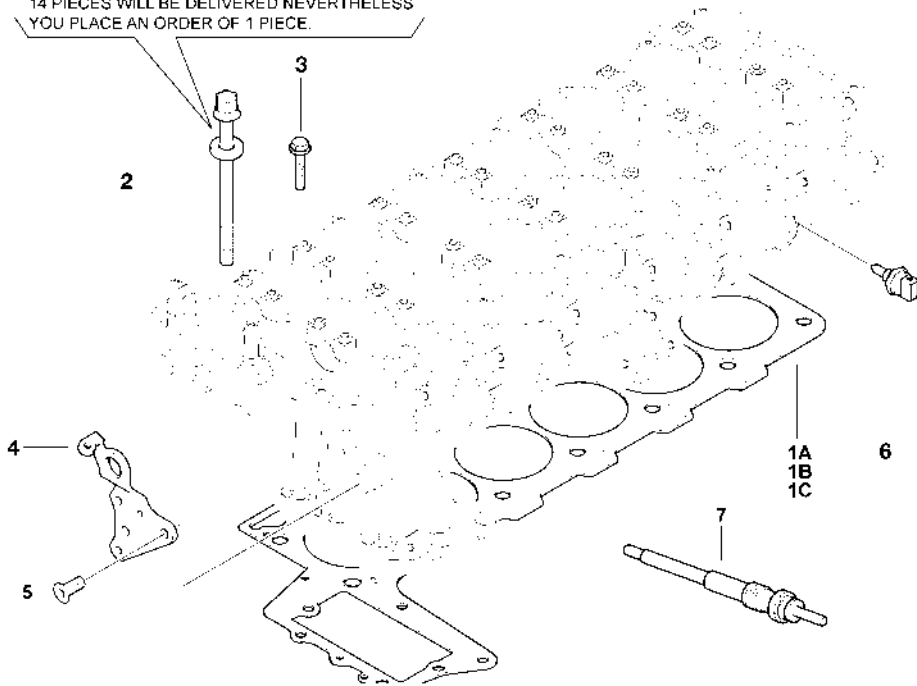


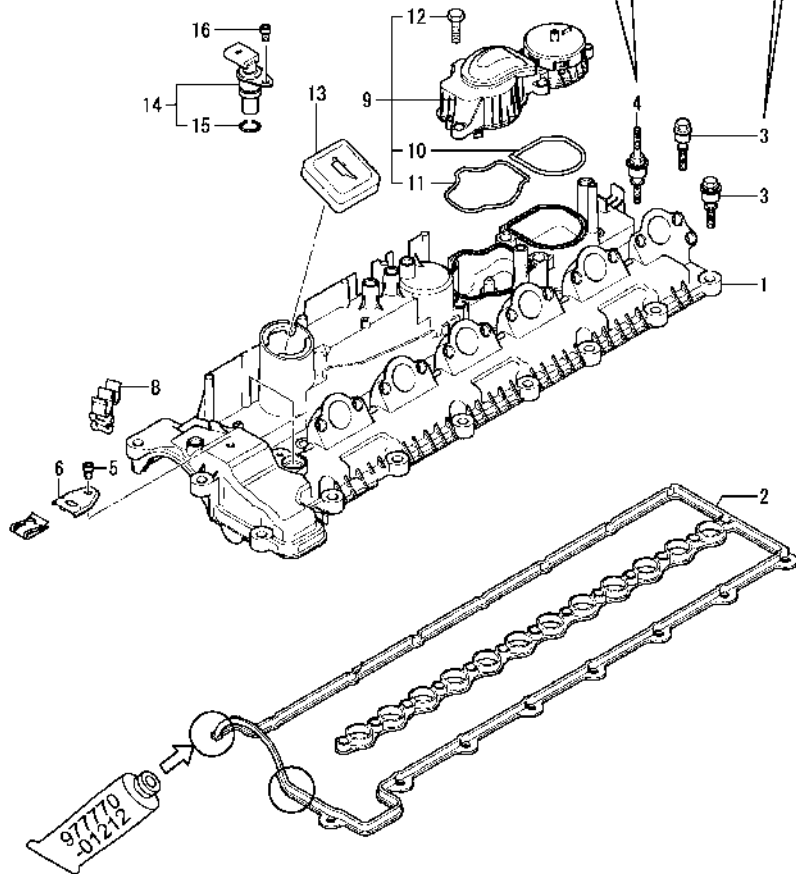
Fig.9. CYLINDER HEAD COVER

(A)=6BY220
(B)=6BY260
(C)=6BY220Z

(D)=6BY260Z
(E)=
(F)=

[セット販売部品]
この部品はセット販売部品です。
1個のオーダーに対し、18個が供給されます。
[SET SALE ITEM]
PLEASE BE NOTED THIS PARTS IS SUPPLIED
WITH "SET SALES UNIT(1 SET=18 PIECES)"
14 PIECES WILL BE DELIVERED NEVERTHELESS
YOU PLACE AN ORDER OF 1 PIECE.

[セット販売部品]
この部品はセット販売部品です。
1個のオーダーに対し、12個が供給されます。
[SET SALE ITEM]
PLEASE BE NOTED THIS PARTS IS SUPPLIED
WITH "SET SALES UNIT(1 SET=12 PIECES)"
14 PIECES WILL BE DELIVERED NEVERTHELESS
YOU PLACE AN ORDER OF 1 PIECE.



No.	Lev.	Parts No.	Description	Q'ty						I	R
				(A)	(B)	(C)	(D)	(E)	(F)		
1	1	165000-68150	COVER, CYLINDER HEAD	1	1	1	1				
2	1	165000-68240	GASKET, PROFILE	1	1	1	1				
3	1	165000-67830	ELEMENT, OUTER	1	1	1	1				
3-1	1	165001-35780	ELEMENT, OUTER	1	1	1	1				R
		(A=E*****) (B=E*****) (C=E*****) (D=E*****)									
4	1	165000-67840	ELEMENT, INNER	1	1	1	1				
4-1	1	165001-39220	ELEMENT, INNER	1	1	1	1				R
		(A=E*****) (B=E*****) (C=E*****) (D=E*****)									
5	1	165000-67360	SCREW, M6X12	1	1	1	1				
6	1	165000-68010	BRACKET, METAL	1	1	1	1				
8	1	165000-68230	CLAMP, HOSE D=6/8MM	1	1	1	1				
9	1	165000-68180	BREATHER	1	1	1	1				
10	2	165000-68160	GASKET, PROFILE	1	1	1	1				
11	2	165000-68170	GASKET, PROFILE	1	1	1	1				
12	2	165000-69910	BOLT, HEX	4	4	4	4				
13	1	165000-67980	COVER	1	1	1	1				
13-1	1	165000-71020	COVER	1	1	1	1				N
		(A=0443 046) (B=0443 046) (C=0443 046) (D=0443 046)									
14	1	165000-70700	GENERATOR, PULSE	1	1	1	1				
15	2	165000-70730	O-RING, 17X2.8	1	1	1	1				
16	1	165000-68120	BOLT, PLASTIC M5X19.5	1	1	1	1				

Fig.10. INTAKE MANIFOLD

(A)=6BY220
(B)=6BY260
(C)=6BY220Z

(D)=6BY260Z
(E)=
(F)=

No.	Lev.	Parts No.	Description	Qty						I	R
				(A)	(B)	(C)	(D)	(E)	(F)		
1	1	165000-69870	MANIFOLD,INTAKE	1	1	1	1				
2	1	165000-69860	GASKET, PROFILE	6	6	6	6				
3	1	165000-69810	GASKET, PROFILE	6	6	6	6				
4	1	165000-69800	SEALING, RUBBER	1	1	1	1				
5	1	165000-69830	FASTEN, ELEMENT 6X42	12	12	12	12				
6	1	165000-69820	MOUNTING, RUBBER	7	7	7	7				
7	1	165000-69840	RING, BACKUP	7	7	7	7				
8	1	165000-67890	NUT, FLANGE M7	7	7	7	7				
8-1	1	165001-35790	NUT, FLANGE M7	7	7	7	7				R
		(A=E*****)	(B=E*****)	(C=E*****)	(D=E*****)						
9	1	165000-69850	BOX, VACUMM	1	1	1	1				
10	1	120660-17290	SUPPORT, TOP COVER	2	2	2	2				W
		(A=E*****)	(B=E*****)	(C=E*****)	(D=E*****)						

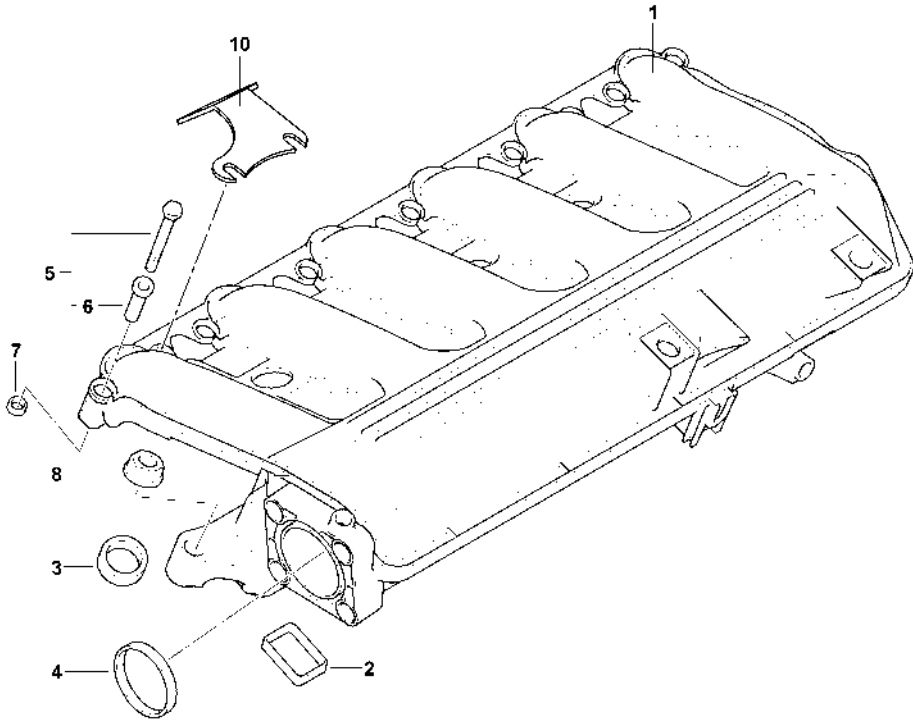
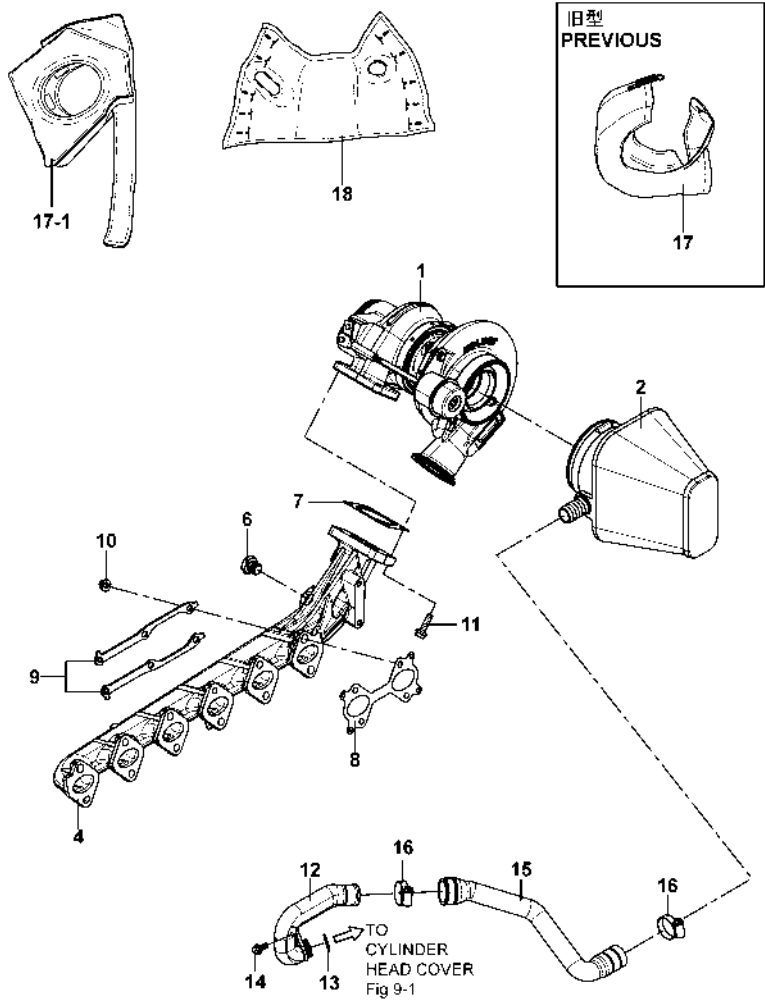


Fig.11. TURBOCHARGER & AIR FILTER

(A)=6BY220
(B)=6BY260
(C)=6BY220Z

(D)=6BY260Z
(E)=
(F)=

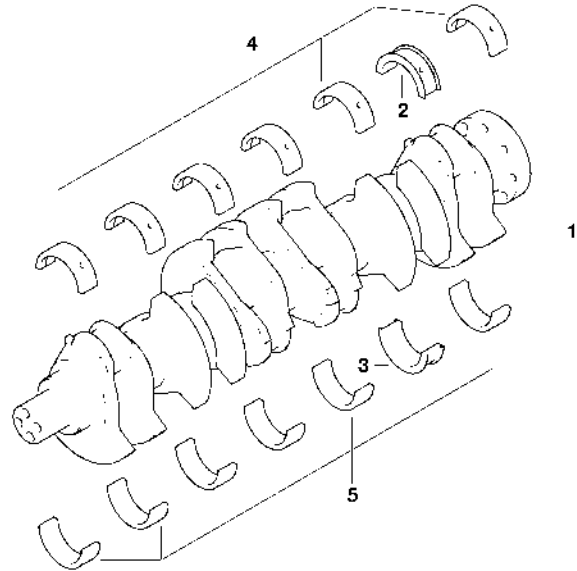


No.	Lev.	Parts No.	Description	Q'ty						I	R
				(A)	(B)	(C)	(D)	(E)	(F)		
1	1	120660-18010	TURBOCHARGER, HOLSET	1	1	1	1				
2	1	120660-12510	FILTER, AIR	1	1	1	1				
4	1	120660-13030	MANIFOLD, EXHAUST	1	1	1	1				
6	1	120650-13330	PLUG, G 3/8 HEAT R	1	1	1	1				
7	1	120660-18200	GASKET, TURBO IN	1	1	1	1				
8	1	120640-00040	GASKET, EXH.MANIFOLD	3	3	3	3				
9	1	120640-09030	RAIL, SLIDING	4	4	4	4				
10	1	120650-13070	NUT, M8	12	12	12	12				
11	1	120660-18110	FLANGE BOLT, 8X25 HE	4	4	4	4				
12	1	120660-11410	PIPE, BLOWBY	1	1	1	1				
13	1	120660-11460	O-RING, 21.95X1.78	1	1	1	1				
14	1	120640-01460	BOLT, 6X12	1	1	1	1				
15	1	120660-11430	HOSE, BLOWBY	1	1	1	1				
16	1	120640-01030	CLAMP, HOSE 25-40	2	2	2	2				
17	1	120660-18300	PROTECTOR, HEAT	1	1	1	1				Z
17-1	1	120660-18301	PROTECTOR, HEAT	1	1	1	1				N
18	1	120660-18310	PROTECTOR, HEAT MANI	1	1	1	1				Z
18-1	1	120660-18311	PROTECTOR, HEAT MANI	1	1	1	1				N
19	1	120650-13800	PROTECTOR, HEAT HOSE	1	1	1	1				

Fig.12. CRANKSHAFT WITH BEARING SHELLS

(A)=6BY220
(B)=6BY260
(C)=6BY220Z

(D)=6BY260Z
(E)=
(F)=



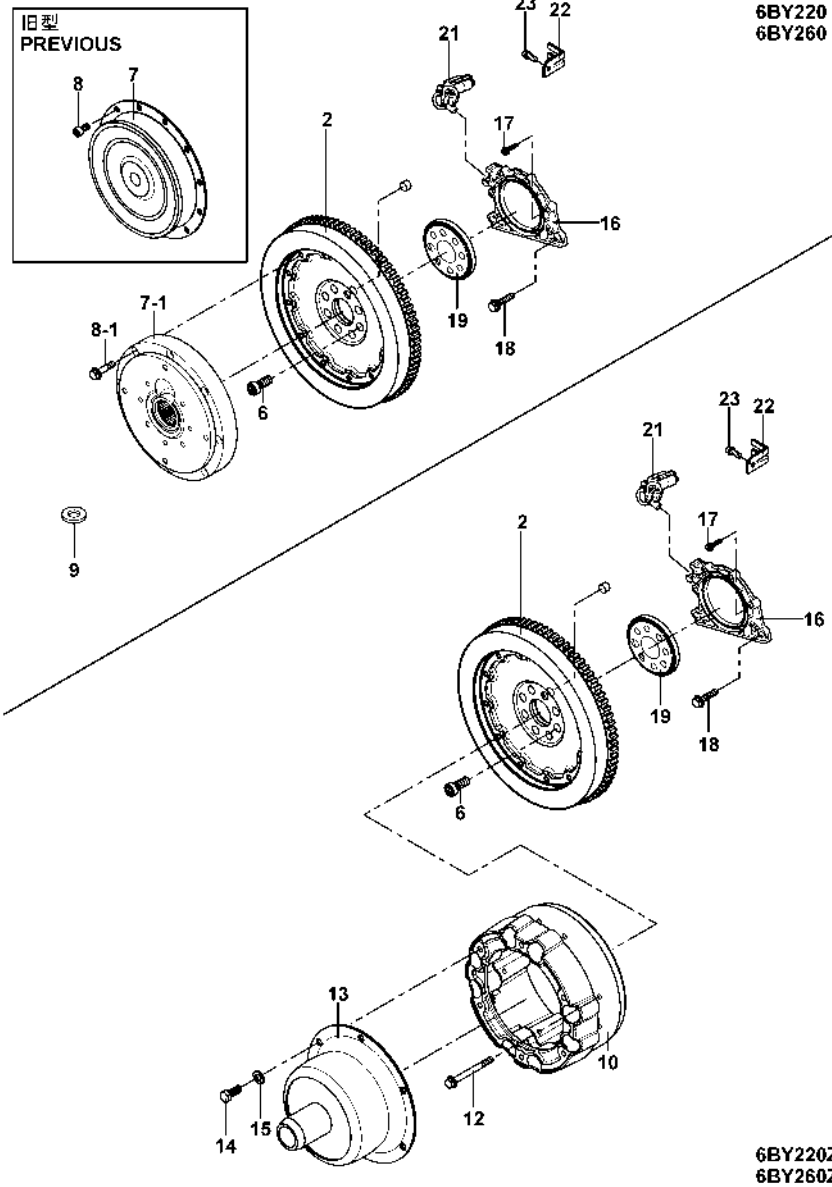
No.	Lev.	Parts No.	Description	Qty						I	R
				(A)	(B)	(C)	(D)	(E)	(F)		
1	1	165000-68850	CRANKSHAFT ASSY	1	1	1	1				
1A	1	165000-68860	CRANKSHAFT ASSY	1	1	1	1				
1A-1	1	165000-68850	CRANKSHAFT ASSY	1	1	1	1				R
		(A=E*****)	(B=E*****)	(C=E*****)	(D=E*****)						
2AG	1	165000-68650	GUIDE, SHILL 60.00MM	1	1	1	1				2
2AW	1	165000-68660	GUIDE, SHILL 60.00MM	1	1	1	1				3
2AY	1	165000-68640	GUIDE, SHILL 60.00MM	1	1	1	1				1
2BG	1	165000-68680	GUIDE, 59.75MM +0.25	1	1	1	1				2
2BW	1	165000-68690	GUIDE, 59.75MM +0.25	1	1	1	1				3
2BY	1	165000-68670	GUIDE, 59.75MM +0.25	1	1	1	1				1
2CG	1	165000-68710	GUIDE, 59.50MM +0.50	1	1	1	1				2
2CW	1	165000-68720	GUIDE, 59.50MM +0.50	1	1	1	1				3
2CY	1	165000-68700	GUIDE, 59.50MM +0.50	1	1	1	1				1
3AG	1	165000-68740	GUIDE, SHILL 60.00MM	1	1	1	1				2
3AW	1	165000-68750	GUIDE, SHILL 60.00MM	1	1	1	1				3
3AY	1	165000-68730	GUIDE, SHILL 60.00MM	1	1	1	1				1
3BG	1	165000-68770	GUIDE, 59.75MM +0.25	1	1	1	1				2
3BW	1	165000-68780	GUIDE, 59.75MM +0.25	1	1	1	1				3
3BY	1	165000-68760	GUIDE, 59.75MM +0.25	1	1	1	1				1
3CG	1	165000-68800	GUIDE, 59.50MM +0.50	1	1	1	1				2
3CW	1	165000-68810	GUIDE, 59.50MM +0.50	1	1	1	1				3
3CY	1	165000-68790	GUIDE, 59.50MM +0.50	1	1	1	1				1
4AG	1	165000-68560	SHELL, BEARING 60.00	6	6	6	6				2
4AW	1	165000-68570	SHELL, BEARING 60.00	6	6	6	6				3
4AY	1	165000-68550	SHELL, BEARING 60.00	6	6	6	6				1
4BG	1	165000-68590	SHELL, 59.75MM +0.25	6	6	6	6				2
4BW	1	165000-68600	SHELL, 59.75MM +0.25	6	6	6	6				3
4BY	1	165000-68580	SHELL, 59.75MM +0.25	6	6	6	6				1
4CG	1	165000-68620	SHELL, 59.50MM +0.50	6	6	6	6				2
4CW	1	165000-68630	SHELL, 59.50MM +0.50	6	6	6	6				3
4CY	1	165000-68610	SHELL, 59.50MM +0.50	6	6	6	6				1
5AG	1	165000-68470	SHELL, BEARING 60.00	6	6	6	6				2
5AW	1	165000-68480	SHELL, BEARING 60.00	6	6	6	6				3
5AY	1	165000-68460	SHELL, BEARING 60.00	6	6	6	6				1
5BG	1	165000-68500	SHELL, 59.75MM +0.25	6	6	6	6				2
5BW	1	165000-68510	SHELL, 59.75MM +0.25	6	6	6	6				3
5BY	1	165000-68490	SHELL, 59.75MM +0.25	6	6	6	6				1
5CG	1	165000-68530	SHELL, 59.50MM +0.50	6	6	6	6				2
5CW	1	165000-68540	SHELL, 59.50MM +0.50	6	6	6	6				3
5CY	1	165000-68520	SHELL, 59.50MM +0.50	6	6	6	6				1

Remarks
(1)YELLOW
(2)GREEN
(3)WHITE

Fig.13. FLYWHEEL & CYL.MOUNTING PARTS

(A)=6BY220
(B)=6BY260
(C)=6BY220Z

(D)=6BY260Z
(E)=
(F)=

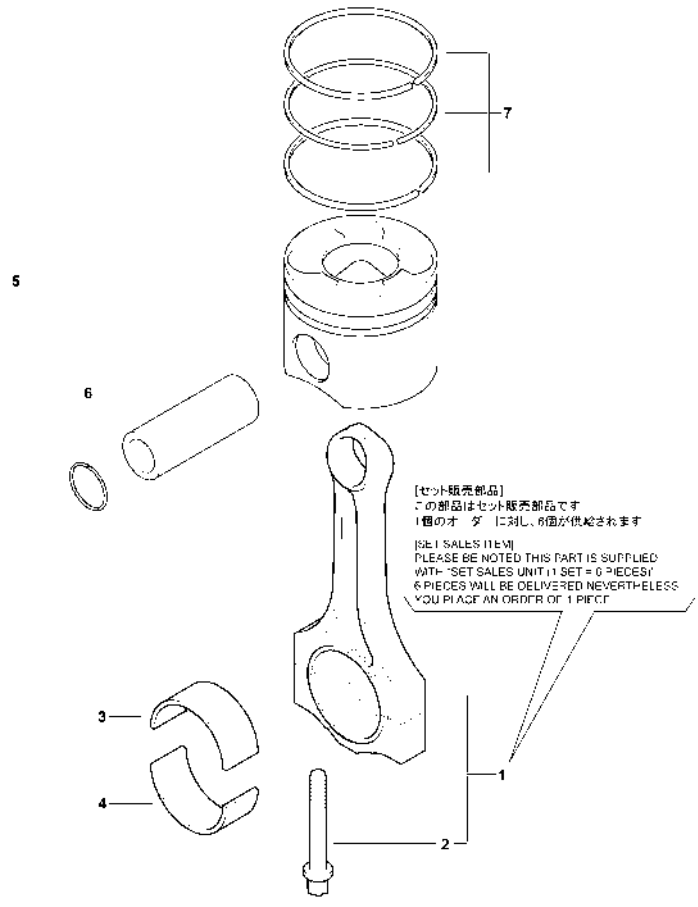


No.	Lev.	Parts No.	Description	Qty						I	R
				(A)	(B)	(C)	(D)	(E)	(F)		
2	1	120660-21400	FLYWHEEL ASSY	1	1	1	1				
6	1	120640-00240	CAP BOLT, FLYWHEEL	8	8	8	8				
7	1	120652-21600	COUPLER, GEAR BOX	1	1						Z
7-1	1	120662-21600	COUPLING, DAMPER 630	1	1						N
8	1	120640-00380	SCREW, M8X16	12	12						Z
8-1	1	120640-01630	BOLT, M8X40 CTSK HEX	8	8						N
9	1	120640-02230	WASHER	17	17						N
10	1	120660-21470	ADAPTER, FLYWHEEL				1	1			
12	1	120640-01900	BOLT, M8X55-8.8			8	8				
13	1	120650-21500	COUPLER, STERN-DRIVE			1	1				
14	1	120640-01560	SCREW, M10X25			6	6				
15	1	120640-02210	WASHER			6	6				
16	1	165000-68440	CAP, W/SEAL	1	1	1	1				
17	1	165000-66930	BOLT, HEX M6 25	4	4	4	4				
18	1	165000-67120	BOLT, HEX M8 28	2	2	2	2				
19	1	165000-93310	WHEEL, GENERATOR	1	1	1	1				W
21	1	165000-70680	SENSOR, CRANKSHAFT	1	1	1	1				
21-1	1	165001-35910	SENSOR, CRANKSHAFT	1	1	1	1				R
22	1	165000-70690	TERMINAL, PLUG	1	1	1	1				
23	1	165000-67360	SCREW, M6X12	1	1	1	1				

Fig.14. PISTON & CONNECTING ROD

(A)=6BY220
(B)=6BY260
(C)=6BY220Z

(D)=6BY260Z
(E)=
(F)=



No.	Lev.	Parts No.	Description	Qty						I	R
				(A)	(B)	(C)	(D)	(E)	(F)		
1	1	165000-69060	ROD, RMFD CONNECTING	1	1	1	1				
2	1	165000-68930	BOLT, CONNECTING ROD	12	12	12	12				
3A	1	165000-68950	SHELL, BEARING 45.00	6	6	6	6				1
3B	1	165000-68940	SHELL, BEARING 45.00	6	6	6	6				2
3C	1	165000-68970	SHELL, 44.75MM +0.25	6	6	6	6				3
3D	1	165000-68960	SHELL, 44.75MM +0.25	6	6	6	6				4
3E	1	165000-68990	SHELL, 44.50MM +0.50	6	6	6	6				5
3F	1	165000-68980	SHELL, 44.50MM +0.50	6	6	6	6				6
4A	1	165000-69000	SHELL, BEARING 45.00	6	6	6	6				7
4B	1	165000-69010	SHELL, BEARING 45.00	6	6	6	6				8
4C	1	165000-69020	SHELL, 44.75MM +0.25	6	6	6	6				9
4D	1	165000-69030	SHELL, 44.75MM +0.25	6	6	6	6				A
4E	1	165000-69040	SHELL, 44.50MM +0.50	6	6	6	6				B
4F	1	165000-69050	SHELL, 44.50MM +0.50	6	6	6	6				C
5	1	165000-69100	PISTON, MAHLE	6	6	6	6				
6	2	165000-69070	RING, LOCK	12	12	12	12				
7	2	165000-69080	RING SET, PISTON	6	6	6	6				
7A	1	165000-69090	RING SET, PISTON .25	6	6	6	6				

Remarks
 (1)COLOR BLUE S MARK (ONLY IN CONJUNCTION WITH P/N 165000-69000)
 (2)COLOR RED S MARK (ONLY IN CONJUNCTION WITH P/N 165000-69010)
 (3)COLOR BLUE S MARK (ONLY IN CONJUNCTION WITH P/N 165000-69020)
 (4)COLOR RED S MARK (ONLY IN CONJUNCTION WITH P/N 165000-69030)
 (5)COLOR BLUE S MARK (ONLY IN CONJUNCTION WITH P/N 165000-69040)

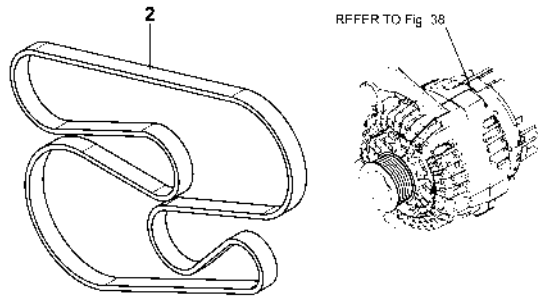
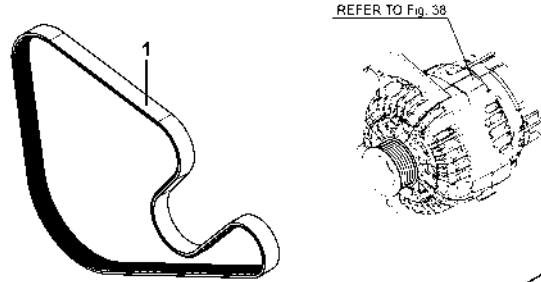
Fig.17. V-BELT

(A)=6BY220
(B)=6BY260
(C)=6BY220Z

(D)=6BY260Z
(E)=
(F)=

No.	Lev.	Parts No.	Description	Q'ty						I	R
				(A)	(B)	(C)	(D)	(E)	(F)		
1	1	120640-00010	V-BELT, 6PK1230	1	1						
2	1	120640-00020	V-BELT, 6PK 2080			1	1				

6BY220
6BY260

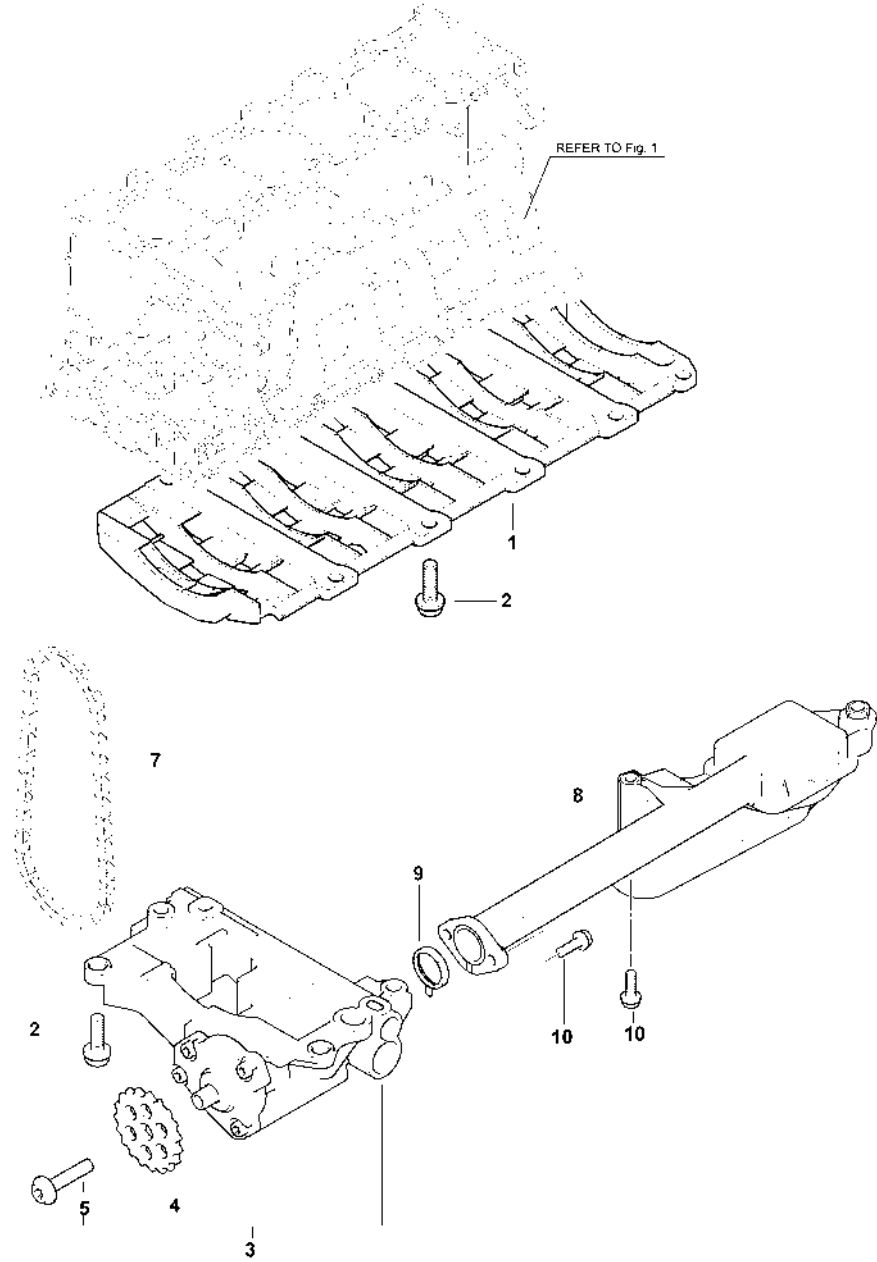


6BY220Z
6BY260Z

Fig.18. LUB.OIL PUMP

(A)=6BY220
(B)=6BY260
(C)=6BY220Z

(D)=6BY260Z
(E)=
(F)=

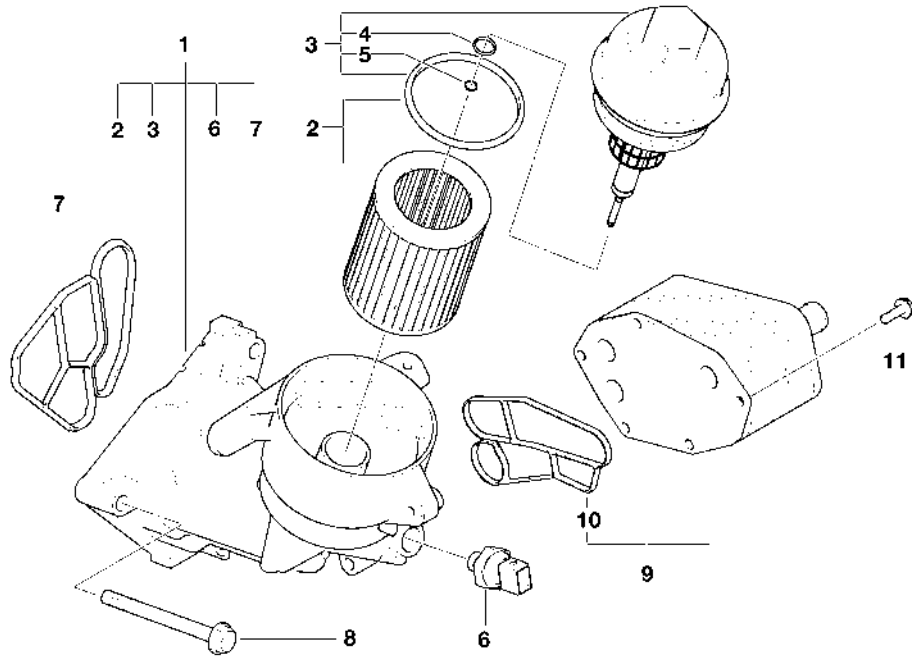


No.	Lev.	Parts No.	Description	Qty						I	R
				(A)	(B)	(C)	(D)	(E)	(F)		
1	1	165000-67810	REINFORCEMENT, BOWL	1	1	1	1				
2	1	165000-67280	BOLT, HEX M8 28	14	14	14	14				
3	1	165000-69410	PUMP, OIL	1	1	1	1				
4	2	165000-69370	SPROCKET, OIL PUMP	1	1	1	1				
5	2	165000-69390	BOLT, TORX M8X35	1	1	1	1				
7	1	165000-69400	CHAIN	1	1	1	1				
8	1	120660-32600	STRAINER ASSY, OIL	1	1	1	1				
8-1	1	165000-93300	TUBE,SCREW	1	1	1	1				R
		(A=*03.04.06)	(B=*03.04.06)	(C=*03.04.06)	(D=*03.04.06)						
9	1	165000-69430	GASKET, PROFILE	1	1	1	1				
10	1	165000-68320	SCREW, COLLAR M6X20	4	4	4	4				

Fig.19. LUB.OIL FILTER

(A)=6BY220
(B)=6BY260
(C)=6BY220Z

(D)=6BY260Z
(E)=
(F)=

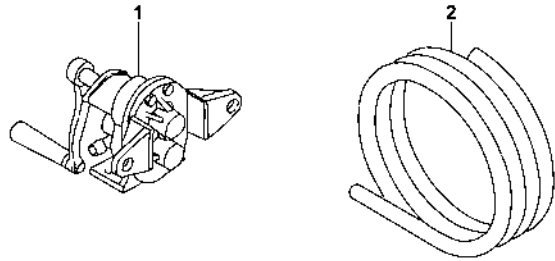


No.	Lev.	Parts No.	Description	Q'ty						I	R
				(A)	(B)	(C)	(D)	(E)	(F)		
1	1	165000-69550	FILTER ASSY, OIL	1	1	1	1				
2	2	165000-69590	ELEMENT, OIL FILTER	1	1	1	1				
3	2	165000-69630	COVER, OIL FILTER	1	1	1	1				
4	3	165000-69570	O-RING, 21.0 3.0	1	1	1	1				
5	3	165000-69580	O-RING, 8.80 2.67	1	1	1	1				
6	2	165000-70120	SWITCH, OIL PRESSURE	1	1	1	1				
6-1	2	165001-35740	SWITCH, OIL PRESSURE	1	1	1	1				R
		(A=E*****) (B=E*****) (C=E*****) (D=E*****)									
7	2	165000-69560	GASKET, PROFILE	1	1	1	1				
8	1	165000-66950	BOLT, HEX M8X45	3	3	3	3				
9	1	165000-69600	EXCHANGER, HEAT	1	1	1	1				
10	2	165000-69610	GASKET, PROFILE	1	1	1	1				
11	1	165000-69620	BOLT, TORX M6X20	6	6	6	6				

Fig.20. ROTARY PUMP(OPTION)

(A)=6BY220
(B)=6BY260
(C)=6BY220Z

(D)=6BY260Z
(E)=
(F)=

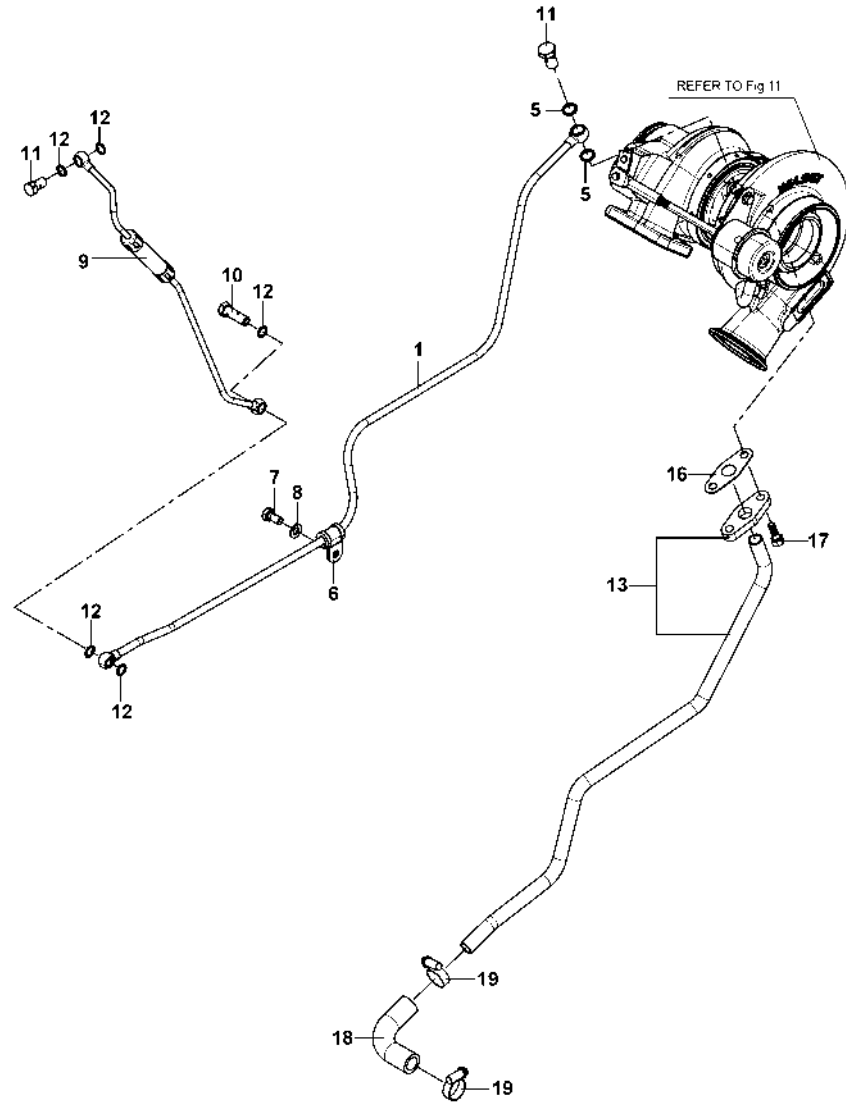


No.	Lev.	Parts No.	Description	Q'ty						I	R
				(A)	(B)	(C)	(D)	(E)	(F)		
1	1	124413-39100	PUMP ASSY, WASTE	1	1	1	1				
2	1	120130-39990	HOSE,OIL DRAIN 3M	1	1	1	1				

Fig.21. LUB.OILPIPE(TURBOCHARGER)

(A)=6BY220
(B)=6BY260
(C)=6BY220Z

(D)=6BY260Z
(E)=
(F)=

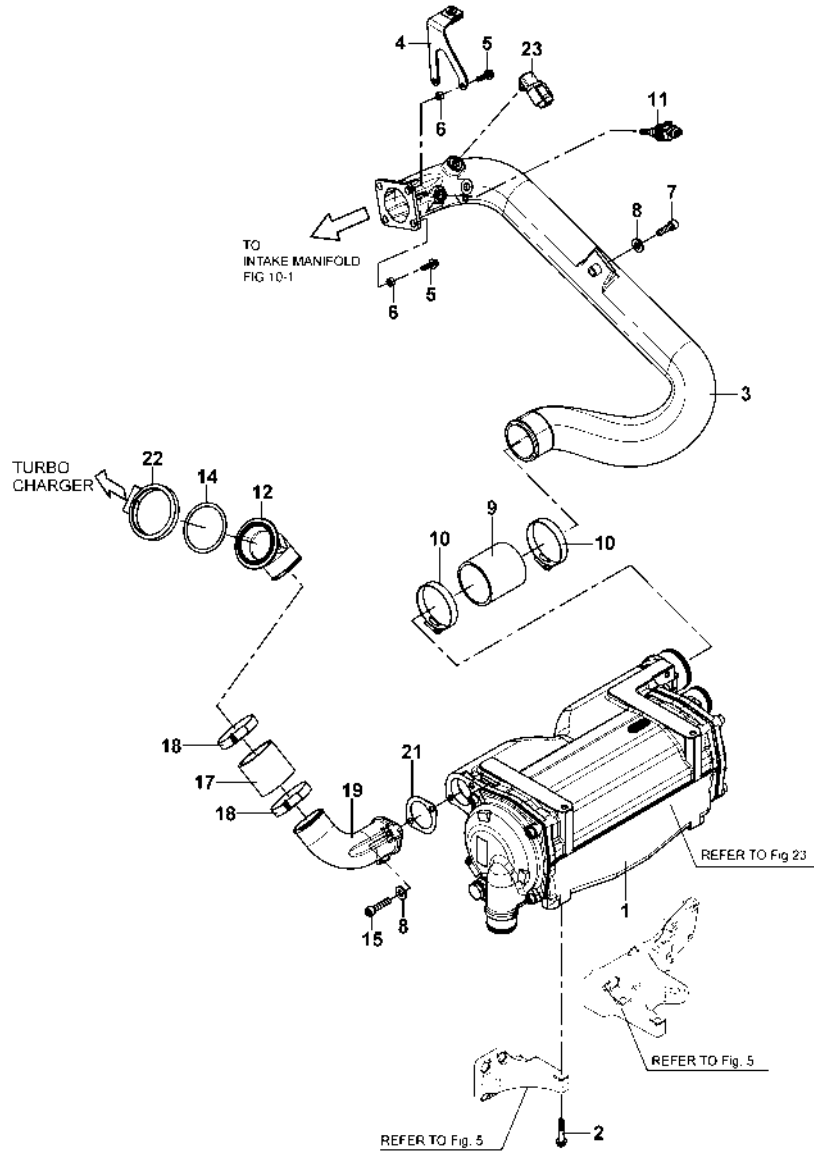


No.	Lev.	Parts No.	Description	Q'ty						I	R
				(A)	(B)	(C)	(D)	(E)	(F)		
1	1	120660-39350	PIPE ASSY, OIL TC IN	1	1	1	1				
5	1	120640-00290	GASKET, 12X1.5	2	2	2	2				
6	1	120650-85410	CLAMP, PIPE	1	1	1	1				
7	1	120640-01510	BOLT, 8X16	1	1	1	1				
8	1	120640-02230	WASHER	1	1	1	1				
9	1	120650-39350	PIPE, OIL SENSOR	1	1	1	1				
10	1	120650-39290	BANJO BOLT, 10 DOUBL	1	1	1	1				
11	1	120640-01410	BANJO BOLT, 10	2	2	2	2				
12	1	120640-01210	GASKET, 10X1	5	5	5	5				
13	1	120660-39200	PIPE ASSY, TURBO OUT	1	1	1	1				
16	1	120660-39310	GASKET, OIL RETURN	1	1	1	1				
17	1	120640-01580	BOLT, 8X25	2	2	2	2				
18	1	120650-39250	HOSE, TURBO RETURN	1	1	1	1				
19	1	120640-01020	CLAMP, HOSE 16-27	2	2	2	2				
20	1	120640-09110	SUPPORT, HOSE 2519	1	1	1	1				
21	1	120640-00250	SUPPORT, HOSE 1412	3	3	3	3				

Fig.22. AIR COOLER

(A)=6BY220
(B)=6BY260
(C)=6BY220Z

(D)=6BY260Z
(E)=
(F)=

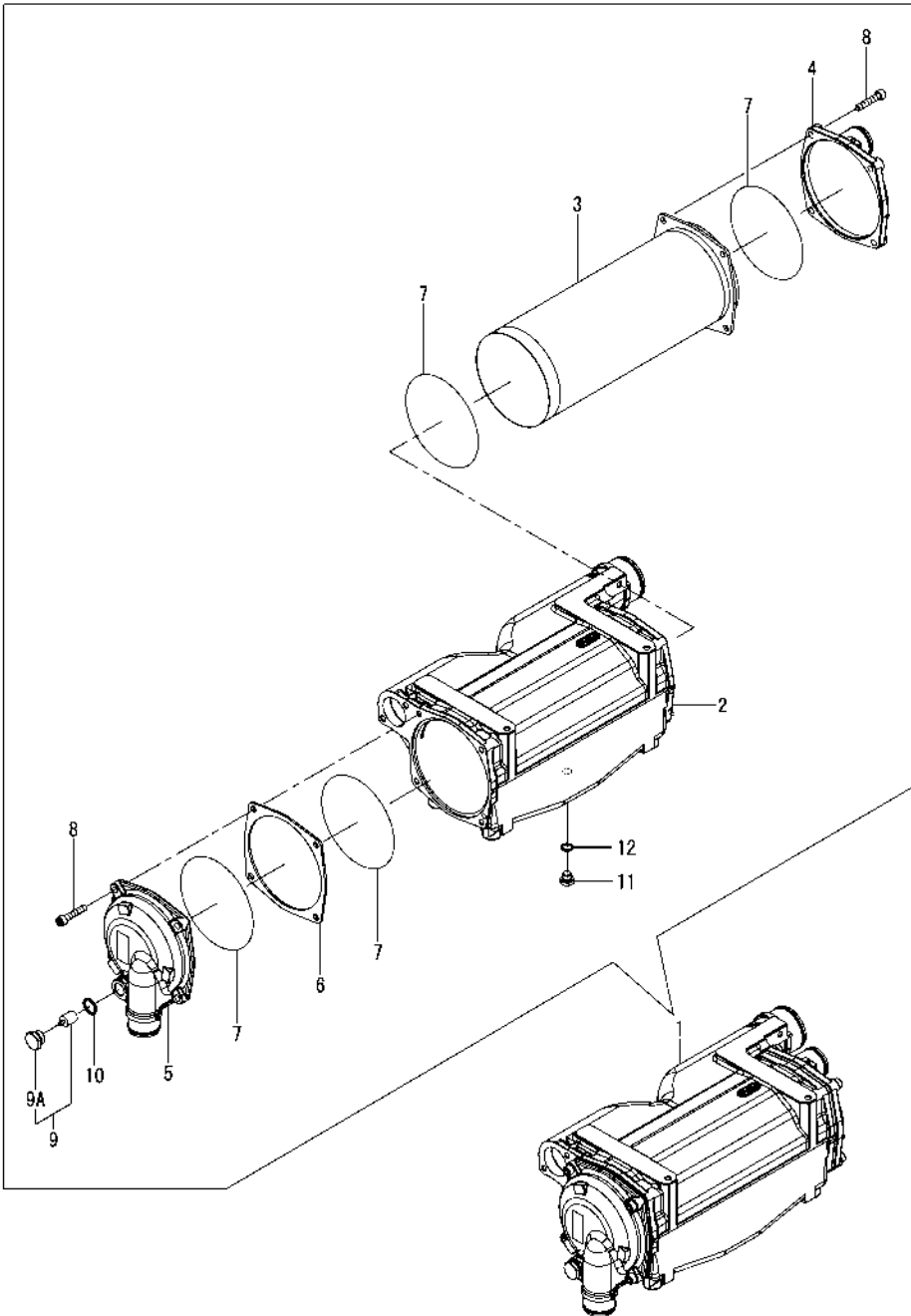


No.	Lev.	Parts No.	Description	Qty						I	R
				(A)	(B)	(C)	(D)	(E)	(F)		
1	1	120660-18400	COOLER ASSY, AIR	1	1	1	1				
2	1	120640-01990	BOLT, M10X60-8.8	4	4	4	4				
3	1	120650-18810	AIR DUCT, CAC OUT	1	1	1	1				
4	1	120650-17110	SUPPORT, COVER SUC	1	1	1	1				
5	1	120640-01590	CAP BOLT, 6X25	4	4	4	4				
6	1	120640-02220	WASHER, 6	1	1	1	1				
7	1	120640-01540	CAP BOLT, 8X35	1	1	1	1				
8	1	120640-02230	WASHER, 8	1	1	1	1				
9	1	120650-18910	HOSE, CAC OUT	1	1	1	1				
10	1	120640-01050	CLAMP, HOSE 50-70	2	2	2	2				
11	1	120640-00130	SENSOR, AIR TEMP	1	1	1	1				
12	1	120660-18050	ELBOW, AIR CHARGE	1	1	1	1				
14	1	120660-18210	GASKET, AIR CHARGE	1	1	1	1				
15	1	120640-01540	CAP BOLT, 8X35	2	2	2	2				
17	1	120660-18900	HOSE, COMPRESSOR OUT	1	1	1	1				
18	1	120650-49720	CLAMP, HOSE 40-60 C	2	2	2	2				
19	1	120660-18820	DUCT, AIR	1	1	1	1				
21	1	120650-18850	GASKET, AIR CAC IN	1	1	1	1				
22	1	120660-18140	V-CLAMP	1	1	1	1				
23	1	120640-00140	SENSOR, BOOST P	1	1	1	1				

Fig.23. AIR COOLER(INNER PARTS)

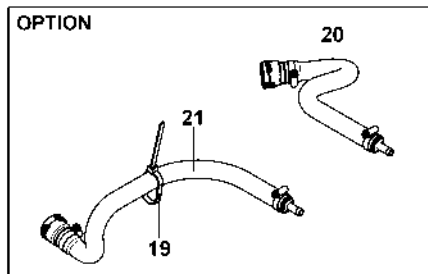
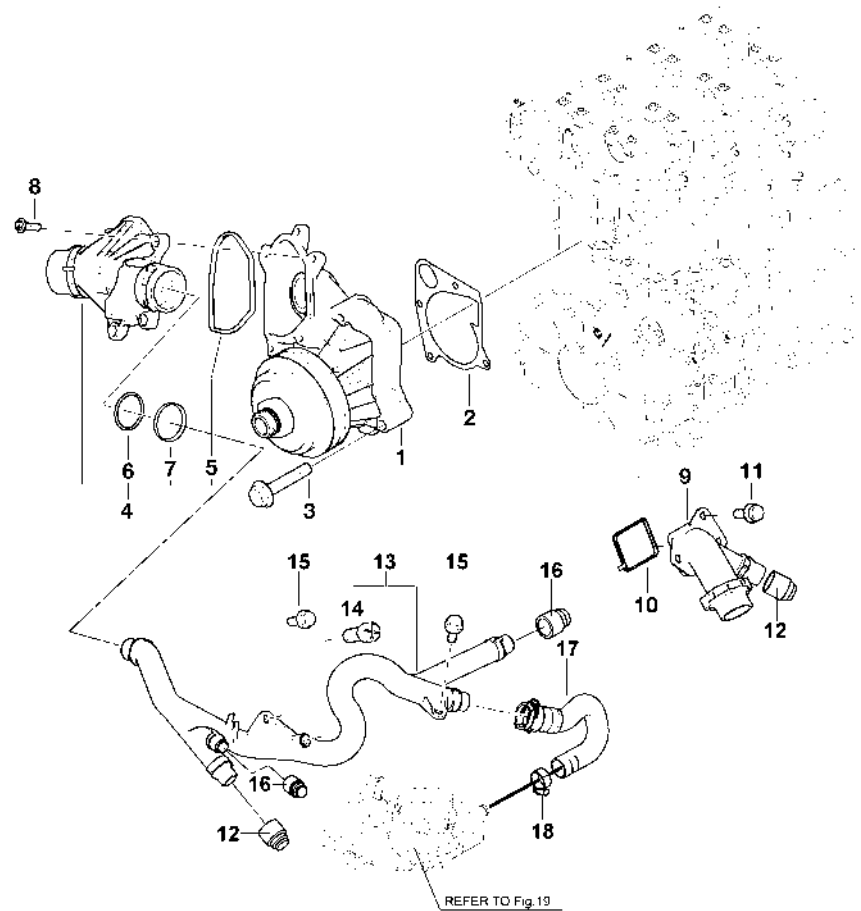
(A)=6BY220
(B)=6BY260
(C)=6BY220Z

(D)=6BY260Z
(E)=
(F)=



No.	Lev.	Parts No.	Description	Q'ty						I	R
				(A)	(B)	(C)	(D)	(E)	(F)		
1	1	120660-18400	COOLER ASSY, AIR	1	1	1	1				
2	2	120660-18410	HOUSING, CAC 6BY	1	1	1	1				
3	2	120660-18420	TUBE STACK, 6BY	1	1	1	1				
4	2	120650-18430	COVER, CAC REAR	1	1	1	1				
5	2	120650-18440	COVER, CAC FRONT	1	1	1	1				
6	2	120650-18450	SPACER, CAC	1	1	1	1				
7	2	120650-18470	O-RING, CAC	4	4	4	4				
8	2	120650-18480	BOLT, M8X40	8	8	8	8				
9	2	120650-18490	ZINC	1	1	1	1				
9A	3	120650-18530	PLIG(ZINC ANODE	1	1	1	1				W
		(A=EXXXXX)	(B=EXXXXX)	(C=EXXXXX)	(D=EXXXXX)						
10	2	120650-18500	GASKET, CUPPER	1	1	1	1				
11	2	120650-18510	PLUG, DRAIN	1	1	1	1				
12	3	120650-18520	GASKET, CUPPER	1	1	1	1				

Fig.24. WATER PUMP



(A)=6BY220
(B)=6BY260
(C)=6BY220Z

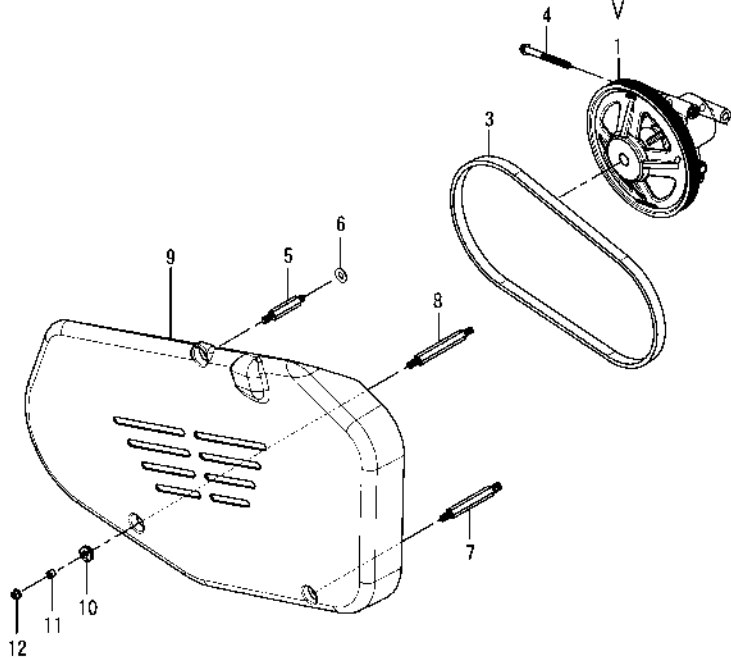
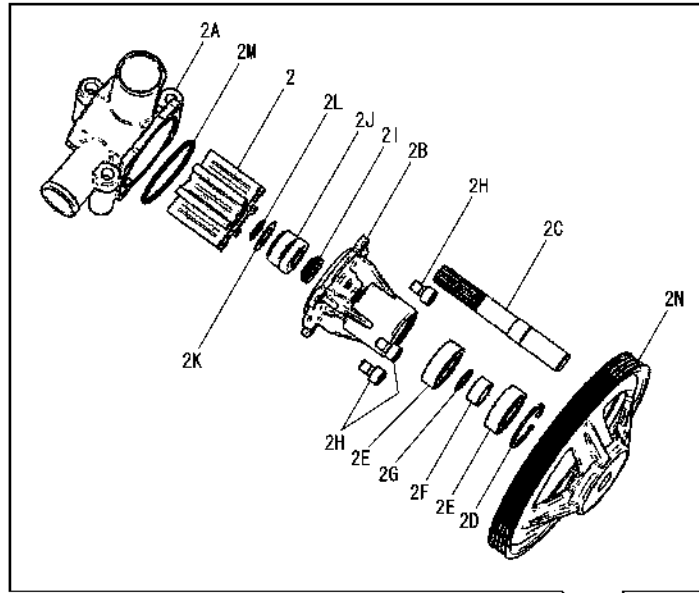
(D)=6BY260Z
(E)=
(F)=

No.	Lev.	Parts No.	Description	Qty						I	R
				(A)	(B)	(C)	(D)	(E)	(F)		
1	1	165000-69710	PUMP, RMFD WATER	1	1	1	1				
1-1	1	165000-93610	WATER PUMP	1	1	1	1				R
		(A=*28.07.06) (B=*28.07.06) (C=*28.07.06) (D=*28.07.06)									
1A	1	165001-22380	PUMP, WATER	1	1	1	1				W
		(A=*28.07.06) (B=*28.07.06) (C=*28.07.06) (D=*28.07.06)									
2	1	165000-69720	GASKET, STEEL	1	1	1	1				
3	1	165000-69690	SCREW, TORX M7X38	4	4	4	4				
4	1	165000-69680	THERMOSTAT ASSY	1	1	1	1				
4-1	1	165001-35710	THERMOSTAT ASSY	1	1	1	1				R
		(A=E*****) (B=E*****) (C=E*****) (D=E*****)									
5	1	165000-69650	GASKET, PROFILE	1	1	1	1				
6	1	165000-69660	O-RING	1	1	1	1				
7	1	165000-69670	RING, BACKUP	1	1	1	1				
8	1	165000-67240	BOLT,HEX M6X20	4	4	4	4				
9	1	165000-67950	CONNECTOR	1	1	1	1				
9-1	1	165001-35800	CONNECTOR	1	1	1	1				R
10	1	165000-67960	GASKET, PROFILE	1	1	1	1				
11	1	165000-66930	BOLT, HEX M6 25	3	3	3	3				
12	1	120650-49390	COUPLING, QUICK	2	2	2	2				
13	1	165000-69760	PIPE, RETURN	1	1	1	1				
13-1	1	165000-93320	PIPE,RETURN	1	1	1	1				R
		(A=1333 056) (B=1333 056) (C=1333 056) (D=1333 056)									
13-2	1	165001-35730	PIPE, RETURN	1	1	1	1				R
		(A=E*****) (B=E*****) (C=E*****) (D=E*****)									
14	1	165000-69780	SCREW, VENT	1	1	1	1				
15	1	165000-69360	SCREW, COLLAR M6X18	2	2	2	2				
16	1	120650-49380	COUPLING, QUICK	1	1	1	1				
17	1	165000-69770	HOSE, WATER	1	1	1	1				
18	1	120640-01020	CLAMP, HOSE 16-27	1	1	1	1				
19	1	120640-09130	TIE,STRAP 550	1	1	1	1				
20	1	120650-49850	HOSE ASSY, HEATER SU	1	1	1	1				
21	1	120660-49860	HOSE ASSY, HEATER RE	1	1	1	1				

Fig.25. COOLING SEA WATER PUMP

(A)=6BY220
(B)=6BY260
(C)=6BY220Z

(D)=6BY260Z
(E)=
(F)=

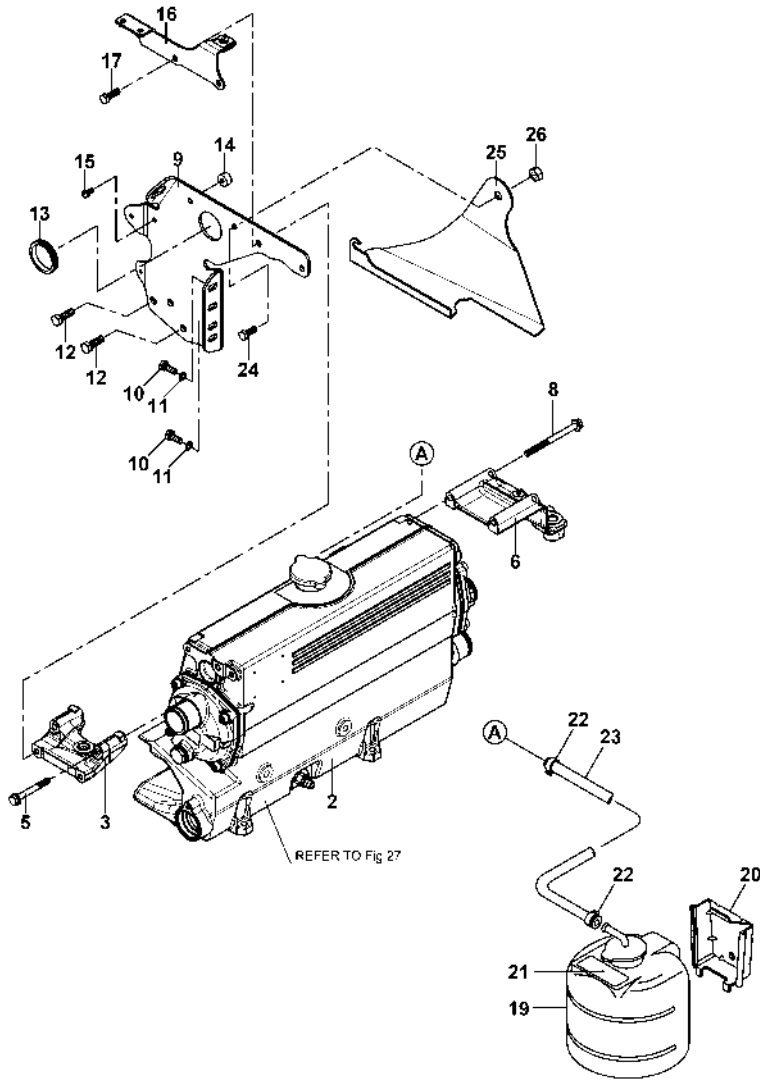


No.	Lev.	Parts No.	Description	Q'ty						I	R
				(A)	(B)	(C)	(D)	(E)	(F)		
1	1	120650-42300	PUMP ASSY,SEAWATER	1	1	1	1				
2	2	120650-42310	IMPELLER	1	1	1	1				
2A	2	120650-42320	PUMP BODY	1	1	1	1				
2B	2	120650-42330	BEARING HOUSING	3	3	3	3				
2C	2	120650-42340	SHAFT PUMP	1	1	1	1				
2D	2	120650-42350	CIRCLIP	1	1	1	1				
2E	2	120650-42450	BALL BEARING	2	2	2	2				
2F	2	120650-42370	SPACER	1	1	1	1				
2G	2	120650-42380	CIRCLIP	1	1	1	1				
2H	2	120650-42390	ALLEN SCREW	4	4	4	4				
2I	2	120650-42420	V-RING	1	1	1	1				
2J	2	120650-42430	MECH.SEAL CPL	1	1	1	1				
2K	2	120650-42550	WASHER F5B/F6B/F7B	1	1	1	1				
2L	2	120650-42570	RETAINING RING	1	1	1	1				
2M	2	120650-42440	O-RING	1	1	1	1				
2N	2	120650-42410	PULLEY	1	1	1	1				
3	1	120650-42360	V-BELT, 4PK 964	1	1	1	1				
4	1	120640-01550	TORX BOLT E10X80	3	3	3	3				
5	1	120650-17200	BOLT, FIXING 1	1	1	1	1				
6	1	120640-02230	WASHER	1	1	1	1				
7	1	120650-17210	BOLT, FIXING 2	1	1	1	1				
8	1	120650-17220	BOLT, FIXING 3	1	1	1	1				
9	1	120650-17170	COVER ASSY, BELT	1	1	1	1				
10	1	120640-00280	GROMMET	3	3	3	3				
11	1	120640-00270	COLLAR,BRACKET	3	3	3	3				
12	1	120640-00330	NUT, FLANGE M8	3	3	3	3				

Fig.26. HEAT EXCHANGER

(A)=6BY220
(B)=6BY260
(C)=6BY220Z

(D)=6BY260Z
(E)=
(F)=

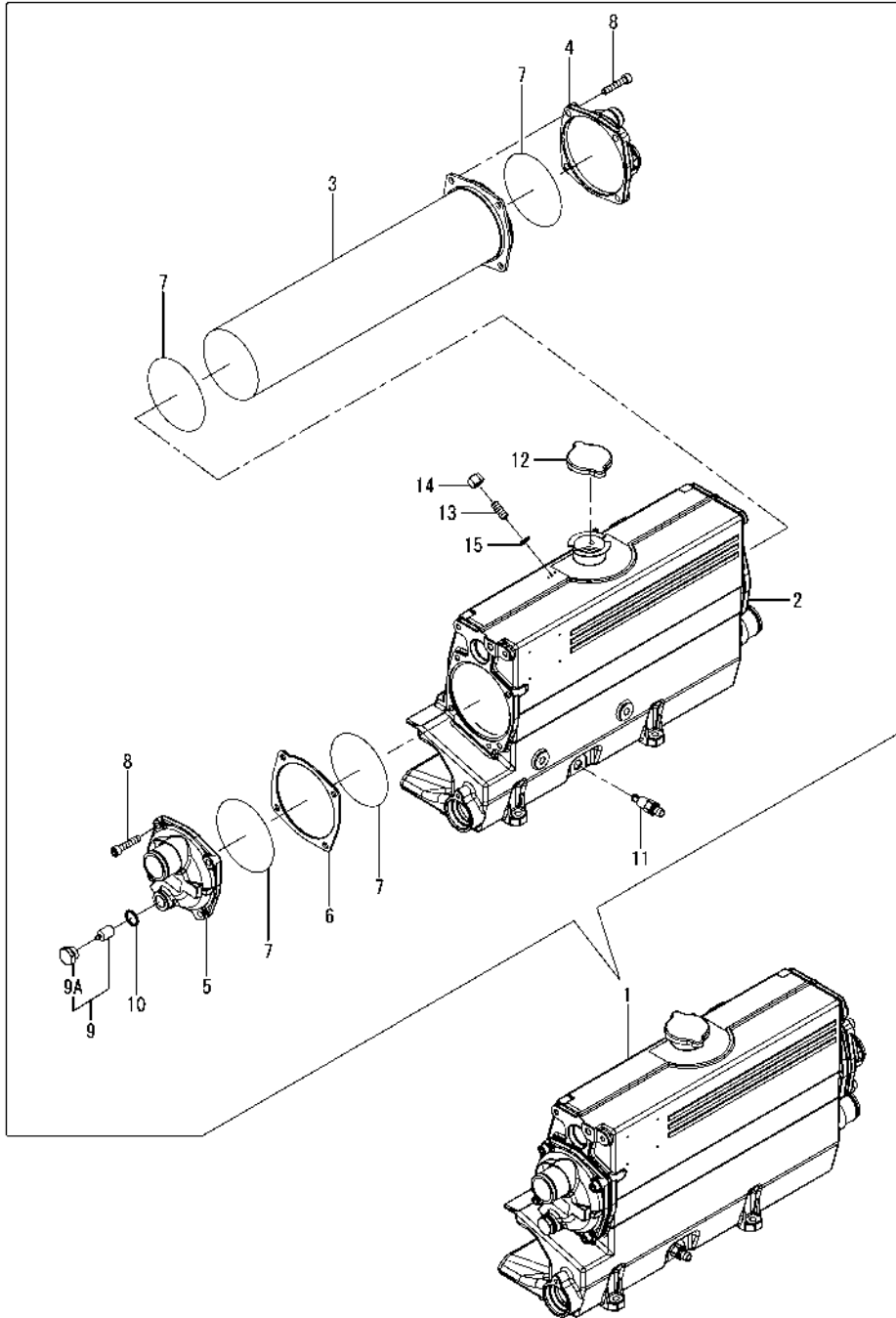


No.	Lev.	Parts No.	Description	Q'ty						I	R
				(A)	(B)	(C)	(D)	(E)	(F)		
2	1	120660-44000	HEAT EXCHANGER ASSY	1	1	1	1				
3	1	120650-44180	SPACER, ELEMENT REAR	1	1	1	1				
5	1	120640-01910	BOLT, M8X65-8.8	2	2	2	2				
6	1	120660-44210	SPACER, ELEMENT FRONT	1	1	1	1				
8	1	120640-01940	BOLT, M8X100-8.8	2	2	2	2				
9	1	120650-44170	BRACKET, REAR TOP	1	1	1	1				
10	1	120650-13320	SCREW, M8X20	2	2	2	2				
11	1	120640-02230	WASHER	2	2	2	2				
12	1	120640-01960	BOLT, M10X30-8.8	2	2	2	2				
13	1	120650-44220	SLEEVE, PROTECTING	1	1	1	1				
14	1	120660-11440	SPACER, BRACKET REAR	1	1	1	1				
15	1	120640-01470	BOLT, 6X16	1	1	1	1				
16	1	120650-17130	BLAKET	1	1	1	1				
17	1	120640-01580	BOLT, 8X25	2	2	2	2				
19	1	128397-44500	TANK ASSY, SUB	1	1	1	1				
20	1	128397-44510	BRACKET	1	1	1	1				
21	1	129670-44570	LABEL	1	1	1	1				
22	1	23010-013000	CLAMP 13	2	2	2	2				
23	1	129270-44501	PIPE	1	1	1	1				
24	1	120640-01510	BOLT, 8X16	1	1	1	1				W
		(A=E*****)	(B=E*****)	(C=E*****)	(D=E*****)						
25	1	120660-17400	PROTECTION SHEET EXH	1	1	1	1				W
		(A=E*****)	(B=E*****)	(C=E*****)	(D=E*****)						
26	1	120640-00330	NUT, FLANGE M8	1	1	1	1				W
		(A=E*****)	(B=E*****)	(C=E*****)	(D=E*****)						

Fig.27. HEAT EXCHANGER(INNER PARTS)

(A)=6BY220
(B)=6BY260
(C)=6BY220Z

(D)=6BY260Z
(E)=
(F)=

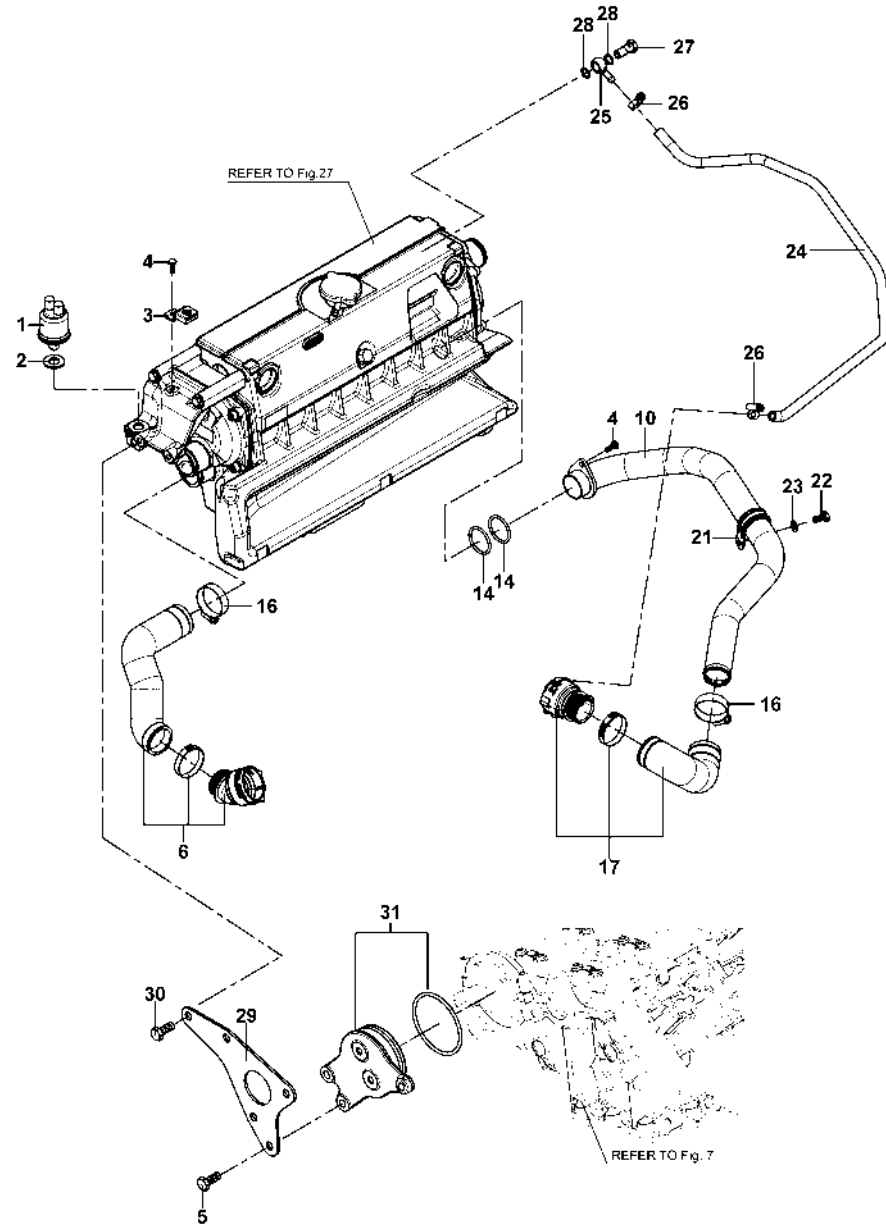


No.	Lev.	Parts No.	Description	Q'ty						I	R
				(A)	(B)	(C)	(D)	(E)	(F)		
1	1	120660-44000	HEAT EXCHANGER ASSY	1	1	1	1				
2	2	120660-44010	HOUSING, HEX 6BY	1	1	1	1				
3	2	120660-44020	CORE, HEX 6BY	1	1	1	1				
4	2	120650-44030	COVER, HEX REAR	1	1	1	1				
5	2	120650-44040	COVER, HEX FRONT	1	1	1	1				
6	2	120650-44050	SPACER, HEX	1	1	1	1				
7	2	120650-44070	O-RING, HEX	4	4	4	4				
8	2	120650-18480	BOLT, M8X40	8	8	8	8				
9	2	120650-18490	ZINC	1	1	1	1				
9A	3	120650-18530	PLIG(ZINC ANODE	1	1	1	1				W
		(A=EXXXXX)	(B=EXXXXX)	(C=EXXXXX)	(D=EXXXXX)						
10	2	120650-18500	GASKET, CUPPER	1	1	1	1				
11	2	120650-44080	COCK,DRAIN	1	1	1	1				
12	2	120650-44090	CAP, FILLER	1	1	1	1				
13	2	120660-44030	BOLT, M10X25	1	1	1	1				
14	2	120660-44040	NUT,M10	1	1	1	1				
15	2	120660-44050	WASHER, SEAL 10	1	1	1	1				

Fig.28. HOSE, FW PUMP

(A)=6BY220
(B)=6BY260
(C)=6BY220Z

(D)=6BY260Z
(E)=
(F)=



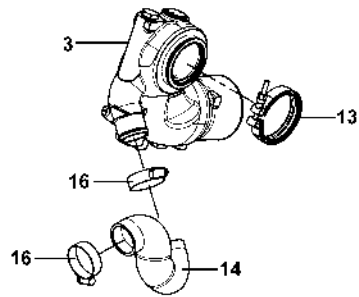
No.	Lev.	Parts No.	Description	Qty						I	R
				(A)	(B)	(C)	(D)	(E)	(F)		
1	1	120650-39270	SENSOR, OIL PRESSURE	1	1	1	1				
2	1	120640-01240	GASKET, 14X1.5	1	1	1	1				
3	1	120650-17120	SUPPORT, COVER EXH	1	1	1	1				
4	1	120640-02080	BOLT, M6X16-8.8	2	2	2	2				
5	1	120640-01530	CAP BOLT, 8X30	3	3	3	3				
6	1	120660-49100	HOSE ASSY, ENGINE IN	1	1	1	1				
10	1	120660-49250	PIPE ASSY, HEAD OUT	1	1	1	1				
14	1	120650-49260	O-RING, 36X3.53	2	2	2	2				
16	1	120650-49710	CLAMP, HOSE 35-50 C	2	2	2	2				
17	1	120650-49200	HOSE ASSY, HEAD OUT	1	1	1	1				
21	1	120650-49650	CLAMP, PIPE 38	1	1	1	1				
22	1	120640-01510	BOLT, 8X16	1	1	1	1				
23	1	120640-02230	WASHER	1	1	1	1				
24	1	120660-49330	HOSE, VENTILATION	1	1	1	1				
25	1	120650-49350	NIPPLE, HOSE	1	1	1	1				
26	1	120640-01010	CLAMP, HOSE 8-16	2	2	2	2				
27	1	120640-01410	BANJO BOLT, 10	1	1	1	1				
28	1	120640-01210	GASKET, 10X1	2	2	2	2				
29	1	120650-44190	BRACKET, FRONT TOP	1	1	1	1				
30	1	120640-01520	BOLT, 8X20	5	5	5	5				
31	1	165000-93280	COVER	1	1	1	1				

Fig.29. MIXING ELBOW

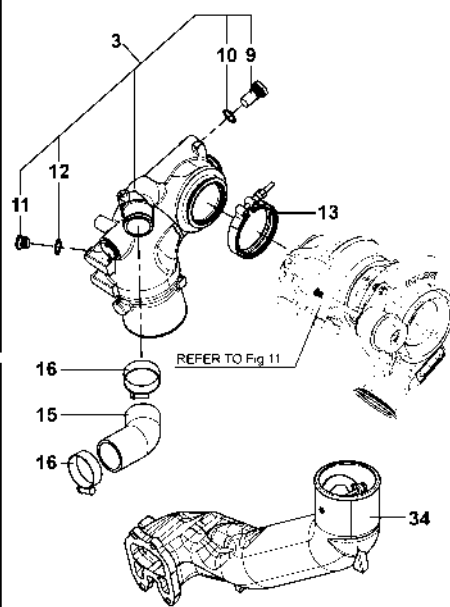
(A)=6BY220
(B)=6BY260
(C)=6BY220Z

(D)=6BY260Z
(E)=
(F)=

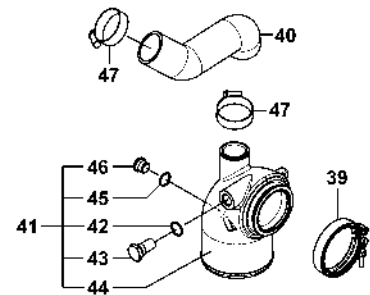
6BY220
6BY260



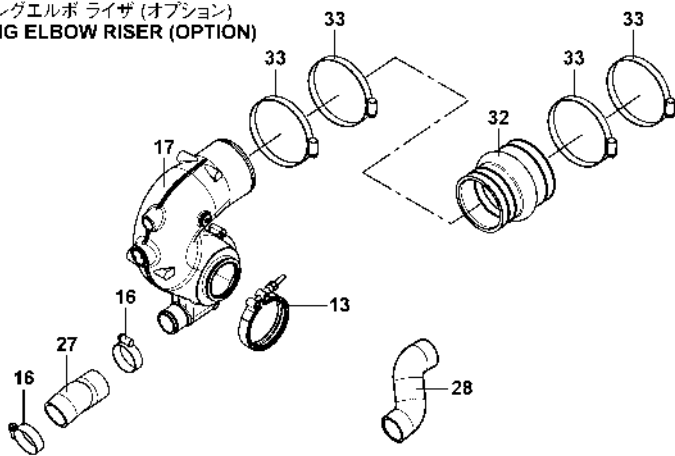
6BY220Z
6BY260Z



Lタイプ (オプション)
L TYPE (OPTION)



ミキシングエルボ ライザ (オプション)
MIXING ELBOW RISER (OPTION)



No.	Lev.	Parts No.	Description	Qty						I	R
				(A)	(B)	(C)	(D)	(E)	(F)		
3	1	120660-13400	ELBOW ASSY, MIXING			1	1				
9	3	120650-13420	PLUG, M18X1.5	1	1	1	1				
10	3	120640-01270	RING, SEALING A18X22	1	1	1	1				
11	3	120650-13490	PLUG	1	1	1	1				
12	3	120640-01260	GASKET, 17X1.5	1	1	1	1				
13	1	120650-13450	V-CLAMP, TURBINE OUT	1	1	1	1				
14	1	120650-13850	HOSE, MIXING IN 25	1	1						
15	1	120650-13510	HOSE, MIXING IN			1	1				
16	1	120650-49720	CLAMP, HOSE 40-60 C	2	2	2	2				
17	1	120652-13400	ELBOW ASSY, MIXING	1	1	1	1				
27	1	120650-13750	HOSE, MIXING IN 10 R	1	1	1	1				
28	1	120650-13760	HOSE, MIXING IN 40 R	1	1	1	1				
30	1	120650-44100	HOSE, MIXING DRAIN	1	1	1	1				
31	1	120640-01010	CLAMP, HOSE 8-16	2	2	2	2				
32	1	120650-13520	JOINT, RUBBER	1	1	1	1				
33	1	119172-48010	CLIP, HOSE 127	4	4	4	4				
34	1	120650-13600	PIPE, EXHAUST CMP (C=E*****) (D=E*****)			1	1				Z
34-1	1	120650-13601	PIPE, EXHAUST CMP (C=E*****) (D=E*****)			1	1				N
39	1	120650-13450	V-CLAMP, TURBINE OUT	1	1						
40	1	120650-13870	HOSE, MIXING IN L45	1	1						
41	1	120650-13930	ELBOW ASSY, MIXING L	1	1						
42	2	120640-01270	RING, SEALING A18X22	1	1						
43	2	120650-13420	ZINC, ANTI-CORROSIVE	1	1						
44	2	120650-13940	ELBOW, MIXING L TYPE	1	1						
45	2	23414-130000	GASKET, 13X1.0	1	1						
46	2	23893-020002	PLUG, G1/4	1	1						
47	1	120650-49720	CLAMP, HOSE 40-60 C	2	2						

Fig.30. BILGE PUMP(OPTION)

(A)=6BY220
(B)=6BY260
(C)=6BY220Z

(D)=6BY260Z
(E)=
(F)=

No.	Lev.	Parts No.	Description	Qty						I	R
				(A)	(B)	(C)	(D)	(E)	(F)		
1	1	127675-46012	PUMP, BILGE	1	1	1	1				

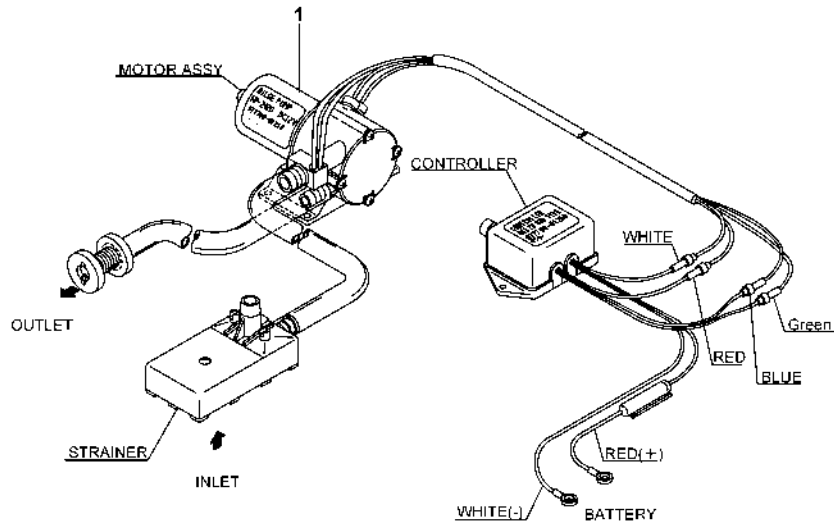
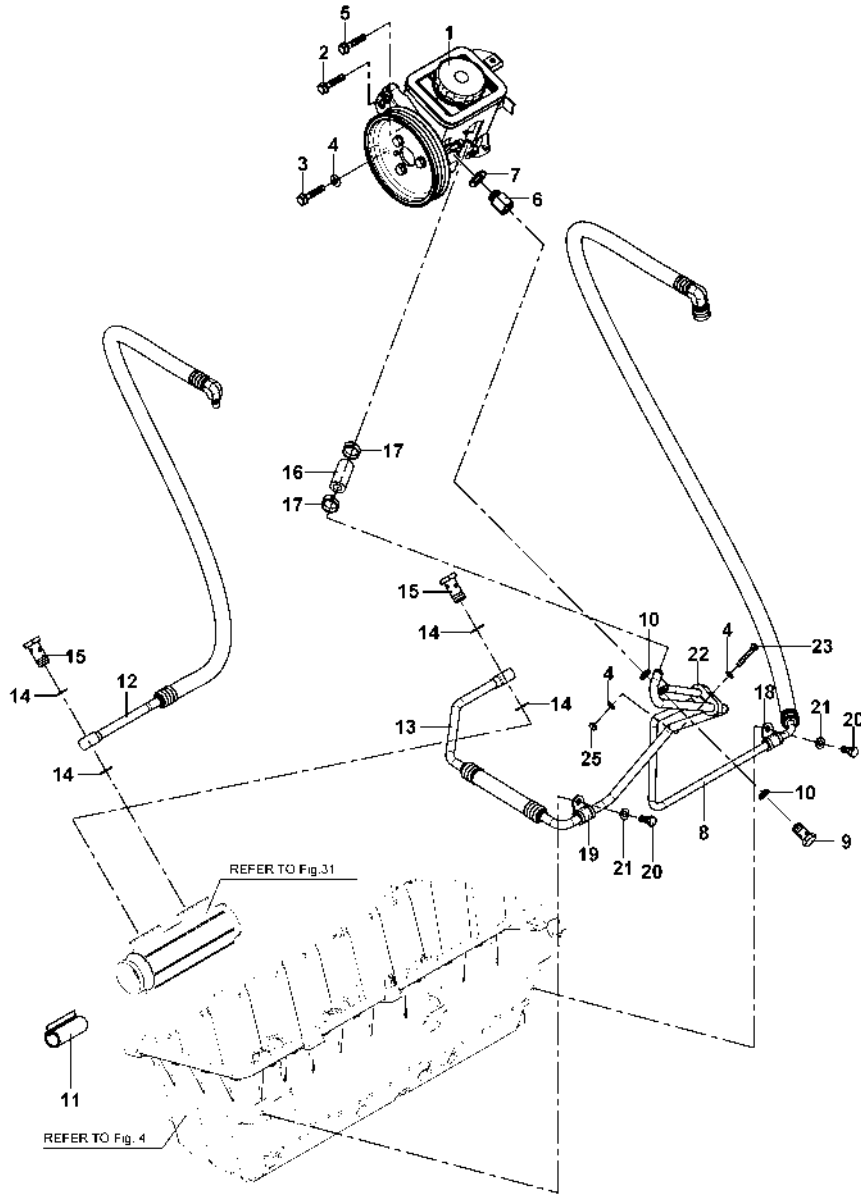


Fig.32. STEERING PUMP/PIPE

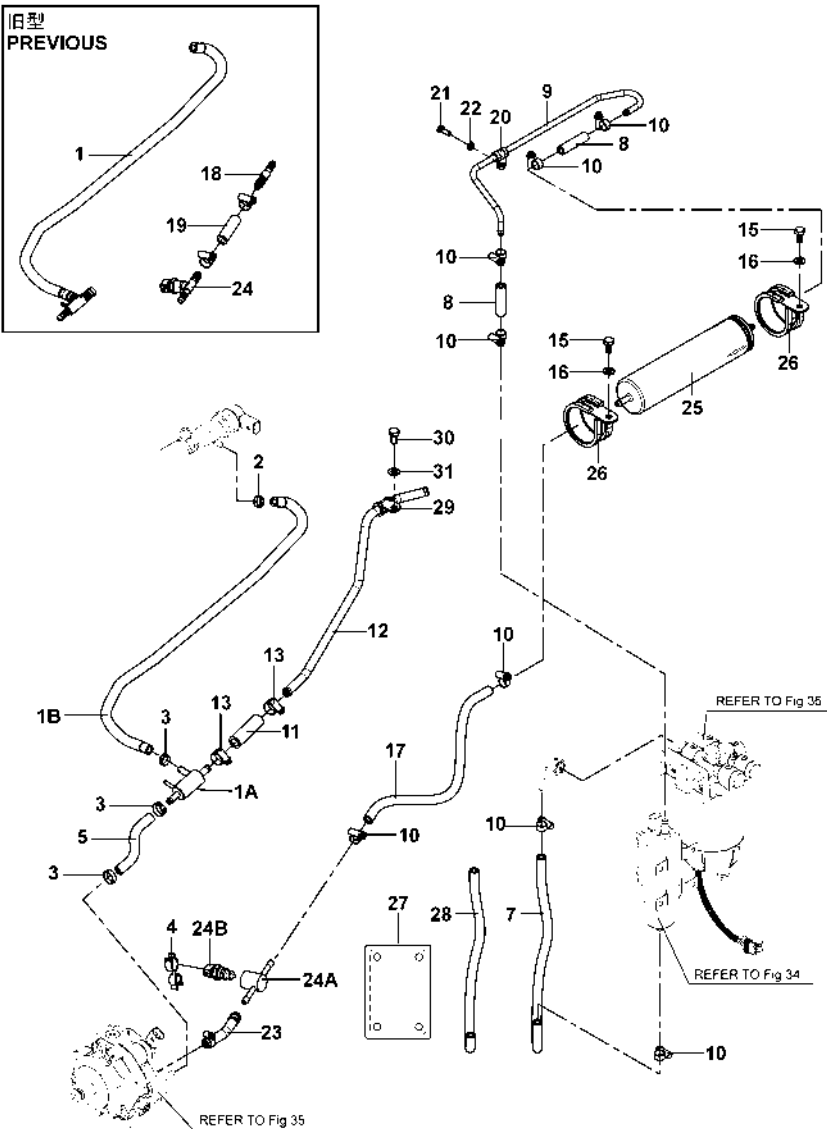
(A)=6BY220
(B)=6BY260
(C)=6BY220Z

(D)=6BY260Z
(E)=
(F)=



No.	Lev.	Parts No.	Description	Q'ty						I	R
				(A)	(B)	(C)	(D)	(E)	(F)		
1	1	120640-00150	PUMP ASSY,STEERING			1	1				
2	1	120640-01930	BOLT, M8X80-8.8			1	1				
3	1	120640-01570	BOLT, M6X80-8.8			1	1				
4	1	120640-02220	WASHER			3	3				
5	1	120640-01870	BOLT, M8X40-8.8			1	1				
6	1	120650-57410	ADAPTER,ATF PUMP			1	1				
7	1	120640-00300	GASKET, 16X1.5			1	1				
8	1	120660-85330	PIPE, ATF PUMP OUT			1	1				
9	1	120640-01420	BANJO BOLT, 14			1	1				
10	1	120640-01240	GASKET, 14X1.5			2	2				
11	1	120650-85450	PROTECTOR, HEAT POWE			2	2				
12	1	120660-85360	PIPE, ATF RETURN			1	1				
13	1	120660-85320	PIPE, ATF COOLER OUT			1	1				
14	1	120640-01260	GASKET, 17X1.5			4	4				
15	1	120650-85370	BANJO BOLT, G3/8			2	2				
16	1	120650-57440	HOSE, ATF PUMP INLET			1	1				
17	1	120640-01020	CLAMP, HOSE 16-27			2	2				
18	1	120650-85410	CLAMP, PIPE 10			1	1				
19	1	120650-85390	CLAMP, PIPE 12			1	1				
20	1	120640-01520	BOLT, 8X20			2	2				
21	1	120640-02230	WASHER			2	2				
22	1	120650-85430	CLAMP, PIPE DOUBLE			1	1				
23	1	120640-01830	BOLT, M6X35-8.8			1	1				
25	1	120640-00200	NUT,M6			1	1				

Fig.33. FUEL OIL FILTER/PIPE



(A)=6BY220
(B)=6BY260
(C)=6BY220Z

(D)=6BY260Z
(E)=
(F)=

No.	Lev.	Parts No.	Description	Qty						I	R
				(A)	(B)	(C)	(D)	(E)	(F)		
1	1	165000-70530	PIECE, DISTRIBUTION (A=E*****) (B=E*****) (C=E*****) (D=E*****)	1	1	1	1				Z
1A	1	120650-55640	DOUBLE T CONNECTOR	1	1	1	1				F
1B	1	120660-55630	HOSE, FO RAIL RETURN	1	1	1	1				F
2	1	165000-67580	CLAMP, HOSE L12-15	1	1	1	1				
2-1	1	120650-55850	CLAMP, HOSE 1EAR 14	1	1	1	1				N
3	1	165000-67580	CLAMP, HOSE L12-15	3	3	3	3				
3-1	1	120640-01010	CLAMP, HOSE 8-16	3	3	3	3				N
4	1	165000-70540	CLAMP,HOSE D=18/D=10	1	1	1	1				
5	1	165000-70610	PIPE, FUEL RETURN	1	1	1	1				
5-1	1	120650-55390	HOSE, FO PUMP RETURN	1	1	1	1				N
7	1	120650-55310	HOSE, FILTER-PUMP	1	1	1	1				
8	1	120650-55320	HOSE, FUEL	2	2	2	2				
9	1	120650-55340	PIPE, FUEL FILTER IN	1	1	1	1				
10	1	120640-01010	CLAMP, HOSE 8-16	8	8	8	8				
11	1	120650-55370	HOSE, FUEL T RETURN	1	1	1	1				
12	1	120660-55330	PIPE, FUEL RETURN	1	1	1	1				
13	1	120640-01020	CLAMP, HOSE 16-27	2	2	2	2				
14	1	120650-85390	CLAMP, PIPE 12	1	1	1	1				
15	1	120640-01510	BOLT, 8X16	2	2	2	2				
16	1	120640-02230	WASHER, 8	2	2	2	2				
17	1	120660-55350	HOSE, FILTER OUT	1	1	1	1				
18	1	120650-55380	FITTING, REDUCING	1	1	1	1				Z
19	1	120650-55360	HOSE, FUEL	1	1	1	1				Z
20	1	120650-39190	CLAMP, PIPE 8	1	1	1	1				
21	1	120640-01470	BOLT, 6X16	1	1	1	1				
22	1	120640-02220	WASHER	1	1	1	1				
23	1	120660-55390	HOSE, TEMP.SENSOR	1	1	1	1				Z
23-1	1	120650-55390	HOSE, FO PUMP RETURN	1	1	1	1				N
24	1	120640-00120	SENSOR ASSY, TEMP.	1	1	1	1				
24A	1	120650-55550	T CONNECTOR, SENSOR (A=E*****) (B=E*****) (C=E*****) (D=E*****)	1	1	1	1				
24B	1	120650-55710	SENSOR, FUEL TEMPERA (A=E*****) (B=E*****) (C=E*****) (D=E*****)	1	1	1	1				
25	1	120650-55040	FILTER, FUEL FINE	1	1	1	1				
26	1	120650-55210	CLAMP, PIPE 54	2	2	2	2				
27	1	120650-55490	PROTECTOR,(FUEL LINE (A=E*****) (B=E*****) (C=E*****) (D=E*****)	1	1	1	1				Z
28	1	120650-55480	SLEEVE, FUEL HOSE (A=E*****) (B=E*****) (C=E*****) (D=E*****)	1	1	1	1				W
29	1	120650-85390	CLAMP, PIPE 12	1	1	1	1				
30	1	120640-01510	BOLT, 8X16	1	1	1	1				
31	1	120640-02230	WASHER, 8	1	1	1	1				

Fig.34. PUMP, FUEL LOW

(A)=6BY220
(B)=6BY260
(C)=6BY220Z

(D)=6BY260Z
(E)=
(F)=

No.	Lev.	Parts No.	Description	Qty						I	R
				(A)	(B)	(C)	(D)	(E)	(F)		
1	1	120650-51500	PUMP ASSY, FUEL LOW	1	1	1	1				
2	1	120650-51630	CLAMP BRACKET 61	2	2	2	2				
3	1	120640-01450	CAP BOLT, 6X10	4	4	4	4				
4	1	120640-02220	WASHER	4	4	4	4				

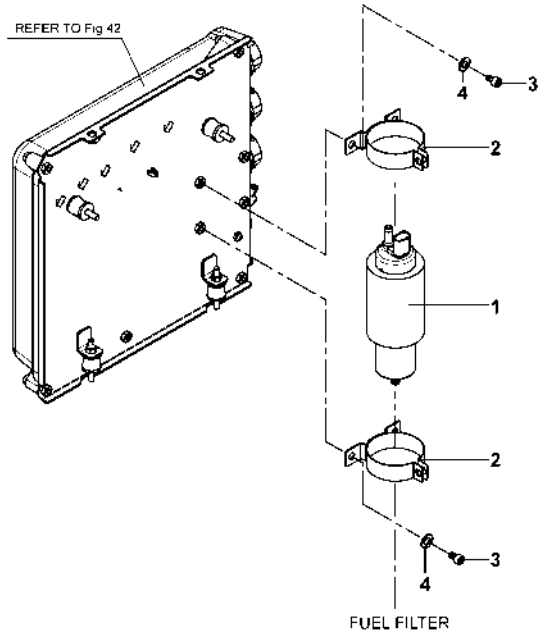


Fig.35. HIGH-PRESSURE PUMP/INJECTOR

(A)=6BY220
(B)=6BY260
(C)=6BY220Z

(D)=6BY260Z
(E)=
(F)=

No.	Lev.	Parts No.	Description	Qty						I	R
				(A)	(B)	(C)	(D)	(E)	(F)		
1	1	165000-66910	ACCUMULATOR,PRESSURE	1	1	1	1				
1-1	1	165001-35880	ACCUMULATOR,PRESSURE	1	1	1	1				R
		(A=E*****) (B=E*****) (C=E*****) (D=E*****)									
2	2	165000-70480	VALVE, REGULATING	1	1	1	1				
2-1	2	165001-35650	VALVE, REGULATING	1	1	1	1				R
		(A=E*****) (B=E*****) (C=E*****) (D=E*****)									
3	2	165000-70390	SENSOR, PRESSURE	1	1	1	1				
4	2	165000-70590	CONNECTOR	1	1	1	1				
4-1	2	165001-35840	CONNECTOR	1	1	1	1				R
		(A=E*****) (B=E*****) (C=E*****) (D=E*****)									
5	2	165000-70160	RING, GASKET	2	2	2	2				
6	2	165000-70400	BOLT, HOLLOW	1	1	1	1				
7	1	165000-67020	SCREW, HEAD M8X25	3	3	3	3				
7-1	1	165001-35540	SCREW, HEAD M8X25	3	3	3	3				R
		(A=E*****) (B=E*****) (C=E*****) (D=E*****)									
8	1	165000-70560	INJECTOR, RMFD	6	6	6	6				
9	2	165000-70290	CLAMP	6	6	6	6				
10	2	165000-70430	O-RING, 22 2	6	6	6	6				
11	2	165000-70270	RING, GASKET	6	6	6	6				
12	1	165000-70420	FLANGE	6	6	6	6				
13	1	165000-70280	NUT, FLANGE M6	12	12	12	12				
13-1	1	165000-70640	NUT, FLANGE M6	12	12	12	12				R
		(A=E*****) (B=E*****) (C=E*****) (D=E*****)									
14	1	165000-70490	HOSE ASSY, PRESSURE	1	1	1	1				
14-1	1	165001-35940	HOSE ASSY, PRESSURE	1	1	1	1				R
		(A=E*****) (B=E*****) (C=E*****) (D=E*****)									
15	1	165000-70500	HOSE ASSY, PRESSURE	3	3	3	3				
15-1	1	165001-35950	HOSE ASSY, PRESSURE	3	3	3	3				R
		(A=E*****) (B=E*****) (C=E*****) (D=E*****)									
16	1	165000-70510	HOSE ASSY, PRESSURE	3	3	3	3				
16-1	1	165000-93350	HOSE,PRESSURE	3	3		3				R
		(D=16)									
17	1	165000-70410	CLAMP	3	3	3	3				
18	1	165000-70570	SCREW, HEAD M5X12	3	3	3	3				
19	1	165000-70300	MOUNTING, RUBBER	1	1	1	1				
20	1	165000-70600	PIPE, OVERFLOW OIL	1	1	1	1				Z
		(A=E*****) (B=E*****) (C=E*****) (D=E*****)									
20A	1	120660-55810	HOSE ASSY, FUEL RETU	1	1	1	1				F
		(A=E*****) (B=E*****) (C=E*****) (D=E*****)									
20B	1	120660-55820	HOSE, INJECTOR RETUR	1	1	1	1				F
		(A=E*****) (B=E*****) (C=E*****) (D=E*****)									
20C	1	120650-55830	CLAMP, HOSE 1EAR 11.	2	2	2	2				F
		(A=E*****) (B=E*****) (C=E*****) (D=E*****)									
21	1	165000-70200	PUMP, HIGH PRESSURE	1	1	1	1				
22	1	165000-70180	MEASURING, UNIT	1	1	1	1				
23	1	165000-70170	SCREW	2	2	2	2				
24	1	165000-67490	NUT, HEX AM8	3	3	3	3				
25	1	165000-70150	GASKET, STEEL	1	1	1	1				
26	1	120650-17310	CLIP,HOSE FUEL	1	1	1	1				W
		(A=E*****) (B=E*****) (C=E*****) (D=E*****)									

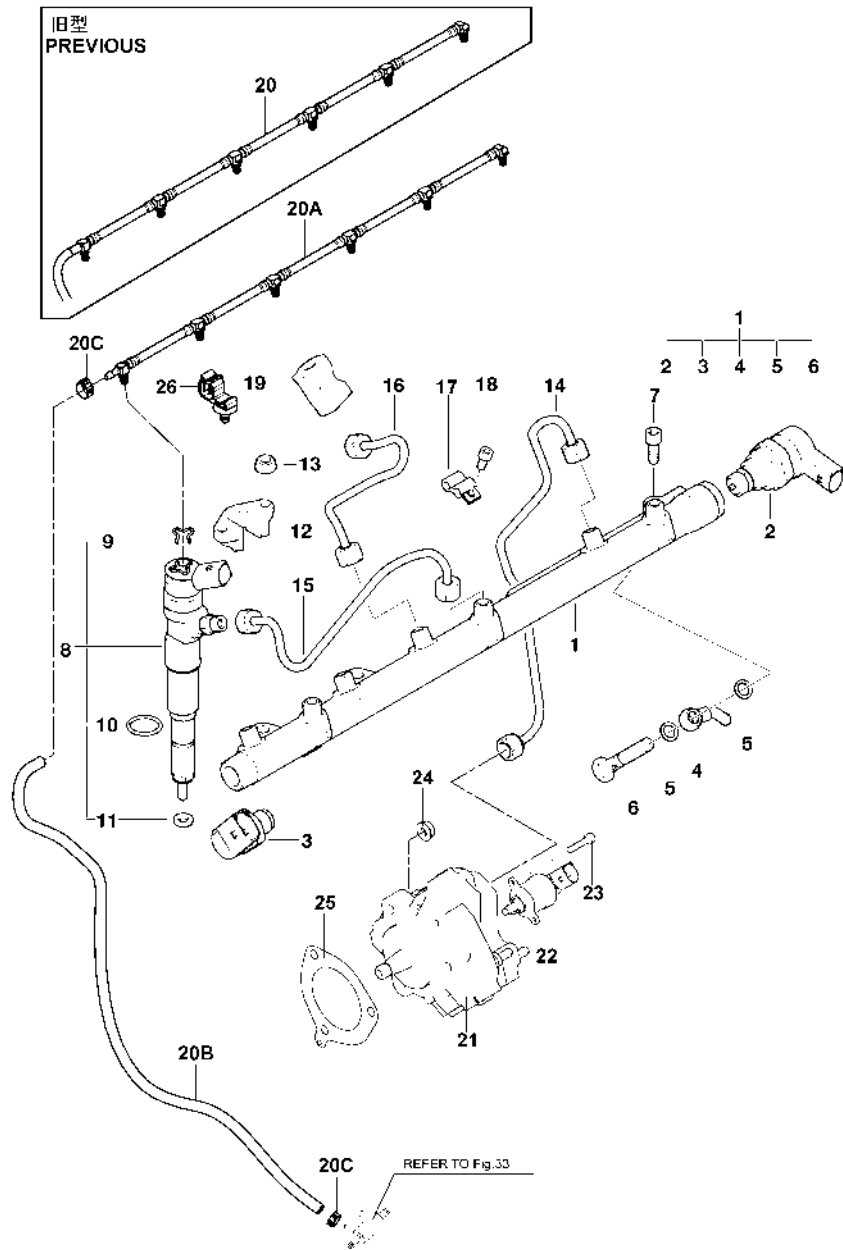
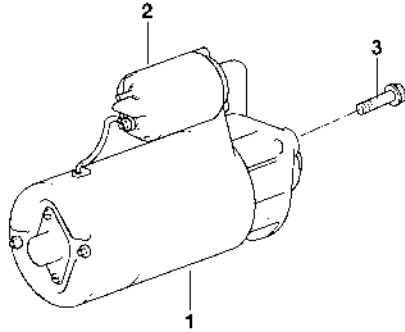


Fig.37. STARTER

(A)=6BY220
(B)=6BY260
(C)=6BY220Z

(D)=6BY260Z
(E)=
(F)=

No.	Lev.	Parts No.	Description	Q'ty						I	R
				(A)	(B)	(C)	(D)	(E)	(F)		
1	1	165000-70110	MOTOR, STARTER 2.0KW	1	1	1	1				1
1-1	1	165001-35760	MOTOR, STARTER 2.0KW	1	1	1	1				R 2
		(A=E*****) (B=E*****) (C=E*****) (D=E*****)									
2	1	165000-70100	SWITCH, SOLENOID	1	1	1	1				1
2-1	1	165001-35770	SWITCH, SOLENOID	1	1	1	1				S 2
3	1	165000-67550	BOLT, M10X65-8.8	2	2	2	2				



Remarks
1. DENSO product
2. Bosch product

Fig.39. WIRE HARNESS(ECU)

(A)=6BY220
(B)=6BY260
(C)=6BY220Z

(D)=6BY260Z
(E)=
(F)=

No.	Lev.	Parts No.	Description	Q'ty						I	R
				(A)	(B)	(C)	(D)	(E)	(F)		
1	1	120650-78050	HARNES, WIRE ECU BO	1	1	1	1				
2	1	120650-75500	FUSE, 3A	3	3	3	3				
3	1	120650-75510	FUSE, 10A	2	2	2	2				K
4	1	120650-75520	FUSE, 20A	1	1	1	1				
5	1	120650-75530	FUSE, 30A	1	1	1	1				
6	1	120650-75540	FUSE, 15A	1	1	1	1				N

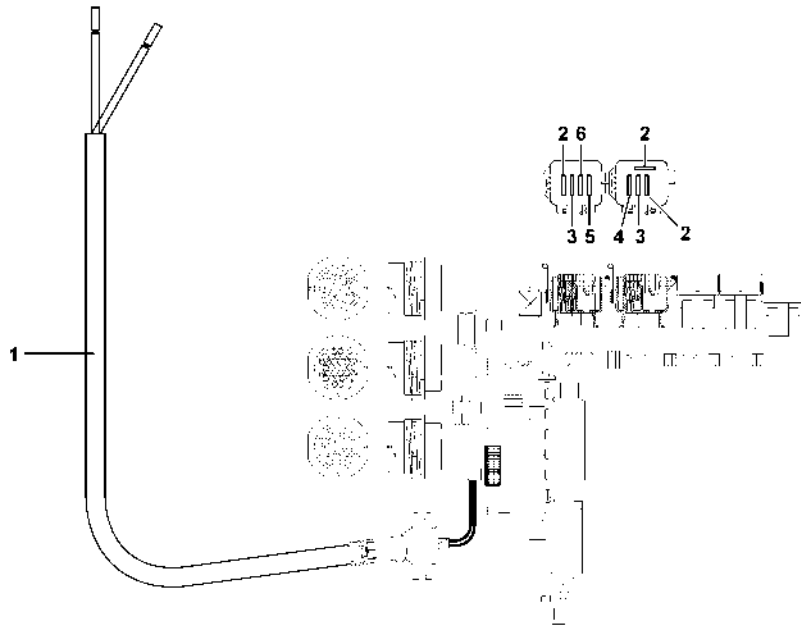
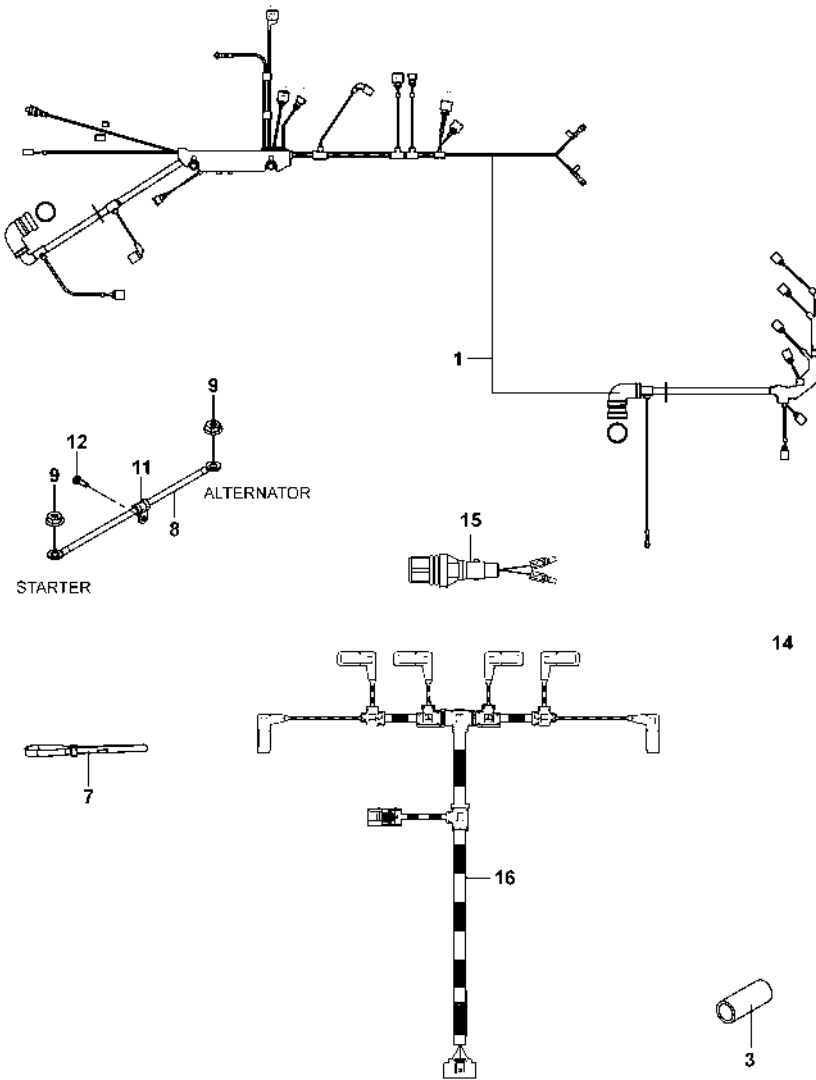


Fig.40. WIRE HARNESS

(A)=6BY220
(B)=6BY260
(C)=6BY220Z

(D)=6BY260Z
(E)=
(F)=

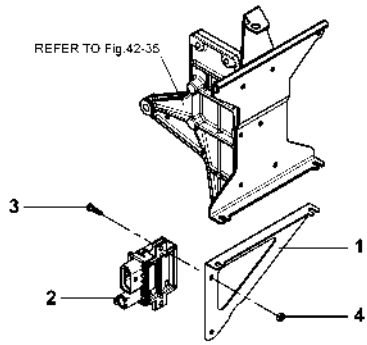


No.	Lev.	Parts No.	Description	Qty						I	R
				(A)	(B)	(C)	(D)	(E)	(F)		
1	1	120660-78000	HARNESS, WIRE 6CYL	1	1	1	1				
2	1	120650-78610	BOLT, 50X16S	3	3	3	3				
3	1	120660-78620	BUSH,ENGINE WIRENES	2	2	2	2				
4	1	120640-02090	BOLT, M8X40-10.9	2	2	2	2				
5	1	120640-00340	CLIP,CORRUGATED 17	1	1	1	1				
6	1	120640-00350	CLIP,CORRUGATED 10	1	1	1	1				
7	1	120640-09050	TIE STRAP	4	4	4	4				
8	1	120660-78210	CABLE, CHARGE	1	1	1	1				
9	1	120640-00330	FLANGE NUT, 8	2	2	2	2				
11	1	120660-78600	CLAMP, PIPE 15	1	1	1	1				
12	1	120640-01560	BOLT, 10X25	1	1	1	1				
14	1	120650-78220	HARNESS, WIRE ACTIVA	1	1	1	1				
15	1	120650-78180	HARNESS, WIRE NSP	1	1	1	1				
16	1	120660-78250	HARNESS, WIRE GLOW	1	1	1	1				

Fig.41. AIR HEATER(OPTION)

(A)=6BY220
(B)=6BY260
(C)=6BY220Z

(D)=6BY260Z
(E)=
(F)=



No.	Lev.	Parts No.	Description	Q'ty						I	R
				(A)	(B)	(C)	(D)	(E)	(F)		
1	1	120650-75870	BRACKET, HEATER CONT	1	1	1	1				
2	1	120660-78240	CONTROLLER, HEATER 6	1	1	1	1				
3	1	120640-02080	BOLT, M6X16-8.8	2	2	2	2				
4	1	120640-00200	NUT, M6	2	2	2	2				
5	1	120650-78260	CABLE, POSITIVE	1	1	1	1				

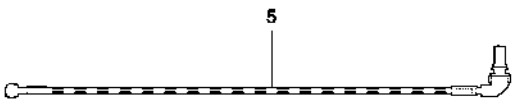
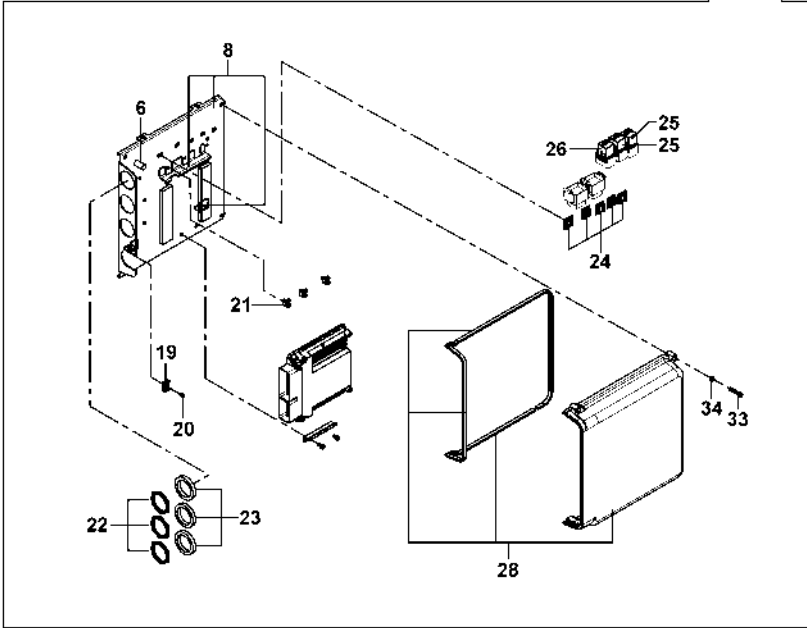
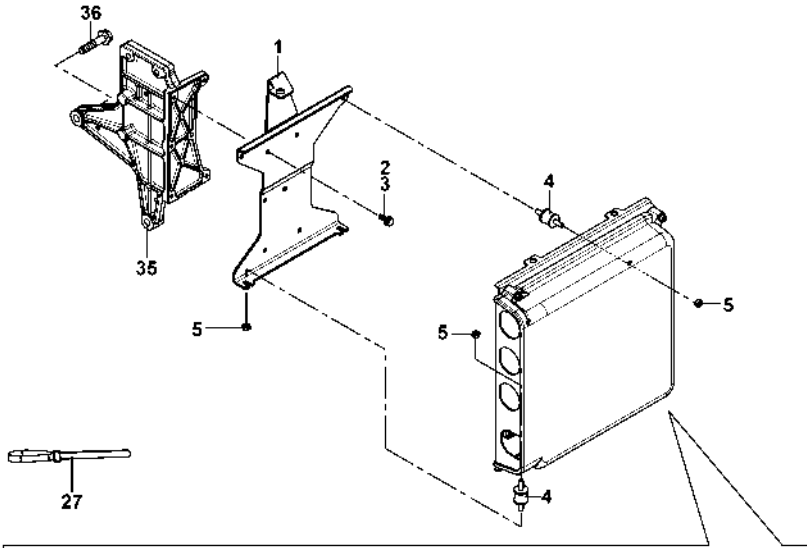


Fig.42. ECU

(A)=6BY220
(B)=6BY260
(C)=6BY220Z

(D)=6BY260Z
(E)=
(F)=



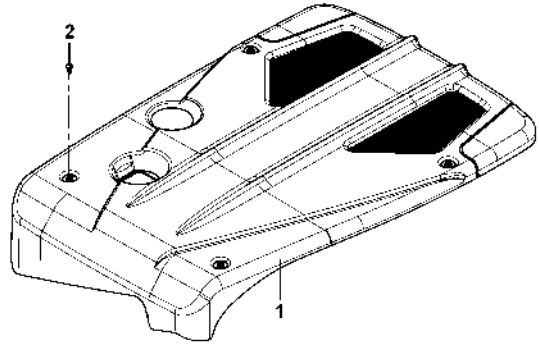
No.	Lev.	Parts No.	Description	Q'ty						I	R
				(A)	(B)	(C)	(D)	(E)	(F)		
1	1	120650-75290	SHEET, ANGLE	1	1	1	1				
2	1	120650-51620	TAPPING BOLT, 6X16	6	6						
3	1	120640-01470	BOLT, 6X16			6	6				
4	1	120650-75450	MOUNT, RUBBER	4	4	4	4				
5	1	120640-00200	NUT, M6	8	8	8	8				
6	1	120650-75680	SLEEVE, PROTECTING	2	2	2	2				
8	1	120650-75250	PLATE ASSY, BASE ECU	1	1	1	1				
19	1	120650-75820	GROMMET, HOLDER	3	3	3	3				
20	1	120640-01440	SCREW, M4X10	3	3	3	3				
21	1	120650-75810	CLIP, WIRE	3	3	3	3				
22	1	120650-75360	NUT, PANEL	3	3	3	3				
23	1	120650-75380	SILICON SEAL	3	3	3	3				
24	1	120650-75320	CLIP, FUSE	5	5	5	5				
25	1	120640-00180	RELAY	2	2	2	2				
26	1	120640-00170	RELAY	1	1	1	1				
27	1	120640-09050	TIE STRAP	4	4	4	4				
28	1	120650-75700	COVER ASSY, E-BOX	1	1	1	1				
33	1	120640-01490	CAP BOLT, 6X30	4	4	4	4				
34	1	120640-02220	WASHER	4	4	4	4				
35	1	120650-75410	SUPPORT, E-BOX	1	1	1	1				
36	1	120640-01980	BOLT, M10X45-8.8	2	2	2	2				

Fig.43. TOP COVER

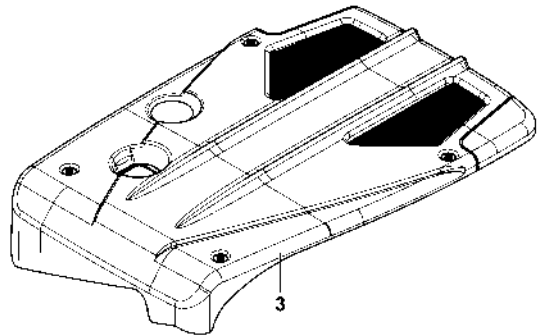
(A)=6BY220
(B)=6BY260
(C)=6BY220Z

(D)=6BY260Z
(E)=
(F)=

No.	Lev.	Parts No.	Description	Qty						I	R
				(A)	(B)	(C)	(D)	(E)	(F)		
1	1	120660-17000	COVER ASSY, DESIGN	1	1	1	1				
2	1	120650-17150	CAMLOCK	4	4	4	4				
3	1	120662-17000	TOP COVER CMP, 6 RIS	1	1	1	1				
		(A=E*****)	(B=E*****)	(C=E*****)	(D=E*****)						



TOP COVER RISER ELBOW (OPTION)



Parts No. Index

Parts No.	Fig. No.	Ref. No.
119172-48010	29	33
119778-08350	3	12
120130-39990	20	2
120640-00010	17	1
120640-00020	17	2
120640-00040	11	8
120640-00050	3	9
		23
120640-00070	4	15
120640-00100	3	6
		20
120640-00120	33	24
120640-00130	22	11
120640-00140	22	23
120640-00150	32	1
120640-00170	42	26
120640-00180	42	25
120640-00190	4	6
120640-00200	32	25
	41	4
	42	5
120640-00220	3	10
		24
120640-00240	13	6
120640-00250	21	21
120640-00270	25	11
120640-00280	25	10
120640-00290	21	5
120640-00300	32	7
120640-00330	25	12
	26	26
	40	9
120640-00340	40	5
120640-00350	40	6
120640-00380	13	8
120640-01010	28	26
	29	31
	33	3 -1
		10
120640-01020	21	19
	24	18
	32	17
	33	13
120640-01030	11	16
120640-01050	22	10
	31	14
120640-01210	21	12
	28	28
120640-01230	4	7
120640-01240	28	2

Parts No.	Fig. No.	Ref. No.
120640-01240	32	10
120640-01260	29	12
	32	14
120640-01270	29	10
		42
120640-01410	21	11
	28	27
120640-01420	32	9
120640-01440	42	20
120640-01450	34	3
120640-01460	3	11
		25
	11	14
120640-01470	26	15
	33	21
	42	3
120640-01490	42	33
120640-01510	21	7
	26	24
	28	22
	33	15
		30
120640-01520	28	30
	31	12
	32	20
120640-01530	28	5
120640-01540	22	7
		15
120640-01550	25	4
120640-01560	13	14
	40	12
120640-01570	32	3
120640-01580	21	17
	26	17
120640-01590	22	5
120640-01630	13	8 -1
120640-01830	32	23
120640-01870	5	13
	32	5
120640-01880	5	8
120640-01900	13	12
120640-01910	26	5
120640-01920	5	7
120640-01930	32	2
120640-01940	3	15
	26	8
120640-01950	3	2
120640-01960	26	12
120640-01970	5	3
	36	7

Parts No.	Fig. No.	Ref. No.
120640-01980	42	36
120640-01990	22	2
120640-02000	5	6
120640-02010	3	16
120640-02020	3	3
120640-02040	3	18
120640-02050	3	4
		17
120640-02060	3	5
120640-02080	28	4
	41	3
120640-02090	40	4
120640-02210	13	15
120640-02220	22	6
	32	4
	33	22
	34	4
	42	34
120640-02230	13	9
	21	8
	22	8
	25	6
	26	11
	28	23
	32	21
	33	16
		31
120640-02250	3	19
120640-09030	11	9
120640-09050	40	7
	42	27
120640-09110	21	20
120640-09130	24	19
120650-01760	3	13
120650-07030	6	3
120650-07040	6	4
120650-07050	6	5
120650-07060	6	6
120650-07070	6	7
120650-07080	6	8
120650-07100	6	10
120650-07110	6	18
		24
120650-07111	6	18 -1
		24 -1
120650-07120	6	11
120650-07130	6	12
120650-07160	6	14
		20
120650-07161	6	14 -1

Parts No.	Fig. No.	Ref. No.
120650-07161	6	20 -1
120650-07170	6	15
		21
120650-07171	6	15 -1
		21 -1
120650-07190	6	16
		22
120650-07191	6	16 -1
		22 -1
120650-08401	5	9
120650-13070	11	10
120650-13320	26	10
120650-13330	11	6
120650-13420	29	9
		43
120650-13450	29	13
		39
120650-13490	29	11
120650-13510	29	15
120650-13520	29	32
120650-13600	29	34
120650-13601	29	34 -1
120650-13750	29	27
120650-13760	29	28
120650-13800	11	19
120650-13850	29	14
120650-13870	29	40
120650-13930	29	41
120650-13940	29	44
120650-17110	22	4
120650-17120	28	3
120650-17130	26	16
120650-17150	43	2
120650-17170	25	9
120650-17200	25	5
120650-17210	25	7
120650-17220	25	8
120650-17310	35	26
120650-18430	23	4
120650-18440	23	5
120650-18450	23	6
120650-18470	23	7
120650-18480	23	8
		27
		8
120650-18490	23	9
		27
		9
120650-18500	23	10
		27
		10
120650-18510	23	11
120650-18520	23	12

Parts No. Index

Parts No.	Fig. No.	Ref. No.
120650-18530	23	9 A
	27	9 A
120650-18810	22	3
120650-18850	22	21
120650-18910	22	9
120650-21500	13	13
120650-33300	31	11
120650-34890	4	13
120650-39190	33	20
120650-39250	21	18
120650-39270	28	1
120650-39290	21	10
120650-39350	21	9
120650-42300	25	1
120650-42310	25	2
120650-42320	25	2 A
120650-42330	25	2 B
120650-42340	25	2 C
120650-42350	25	2 D
120650-42360	25	3
120650-42370	25	2 F
120650-42380	25	2 G
120650-42390	25	2 H
120650-42410	25	2 N
120650-42420	25	2 I
120650-42430	25	2 J
120650-42440	25	2 M
120650-42450	25	2 E
120650-42550	25	2 K
120650-42570	25	2 L
120650-44030	27	4
120650-44040	27	5
120650-44050	27	6
120650-44070	27	7
120650-44080	27	11
120650-44090	27	12
120650-44100	29	30
120650-44170	26	9
120650-44180	26	3
120650-44190	28	29
120650-44220	26	13
120650-49200	28	17
120650-49260	28	14
120650-49350	28	25
120650-49380	24	16
120650-49390	24	12
120650-49520	31	3
120650-49550	31	6
120650-49580	31	7
120650-49590	31	8

Parts No.	Fig. No.	Ref. No.
120650-49610	31	5
120650-49650	28	21
120650-49710	28	16
	31	2
120650-49720	22	18
	29	16
		47
	31	9
120650-49850	24	20
120650-51500	34	1
120650-51620	4	5
		14
	42	2
120650-51630	34	2
120650-55010	36	2
120650-55020	36	3
120650-55040	33	25
120650-55050	36	4
120650-55060	36	5
120650-55070	36	6
120650-55210	33	26
120650-55310	33	7
120650-55320	33	8
120650-55340	33	9
120650-55360	33	19
120650-55370	33	11
120650-55380	33	18
120650-55390	33	5 -1
		23 -1
120650-55400	36	9
120650-55430	36	10
120650-55440	36	1
120650-55480	33	28
120650-55490	33	27
120650-55550	33	24 A
120650-55640	33	1 A
120650-55710	33	24 B
120650-55830	35	20 C
120650-55850	33	2 -1
120650-57010	31	13
120650-57410	32	6
120650-57440	32	16
120650-75250	42	8
120650-75290	42	1
120650-75320	42	24
120650-75360	42	22
120650-75380	42	23
120650-75410	42	35
120650-75450	42	4
120650-75500	39	2

Parts No.	Fig. No.	Ref. No.
120650-75510	39	3
120650-75520	39	4
120650-75530	39	5
120650-75540	39	6
120650-75680	42	6
120650-75700	42	28
120650-75810	42	21
120650-75820	42	19
120650-75870	41	1
120650-75880	36	8
120650-78050	39	1
120650-78180	40	15
120650-78220	40	14
120650-78260	41	5
120650-78610	40	2
120650-85370	32	15
120650-85390	32	19
	33	14
		29
120650-85410	21	6
	32	18
120650-85430	32	22
120650-85450	32	11
120652-13400	29	17
120652-21600	13	7
120660-01710	3	1
120660-01900	3	7
		21
120660-01910	3	8
		22
120660-08100	5	1
120660-08110	5	4
120660-11410	11	12
120660-11430	11	15
120660-11440	26	14
120660-11460	11	13
120660-12510	11	2
120660-13030	11	4
120660-13400	29	3
120660-17000	43	1
120660-17290	10	10
120660-17400	26	25
120660-18010	11	1
120660-18050	22	12
120660-18110	11	11
120660-18140	22	22
120660-18200	11	7
120660-18210	22	14
120660-18300	11	17
120660-18301	11	17 -1

Parts No.	Fig. No.	Ref. No.
120660-18310	11	18
120660-18311	11	18 -1
120660-18400	22	1
	23	1
120660-18410	23	2
120660-18420	23	3
120660-18460	5	11
120660-18820	22	19
120660-18900	22	17
120660-21400	13	2
120660-21470	13	10
120660-32600	18	8
120660-34840	4	10
		15 -1
120660-39200	21	13
120660-39310	21	16
120660-39350	21	1
120660-44000	26	2
	27	1
120660-44010	27	2
120660-44020	27	3
120660-44030	27	13
120660-44040	27	14
120660-44050	27	15
120660-44210	26	6
120660-49100	28	6
120660-49250	28	10
120660-49330	28	24
120660-49540	31	4
120660-49560	31	1
120660-49860	24	21
120660-55330	33	12
120660-55350	33	17
120660-55390	33	23
120660-55630	33	1 B
120660-55810	35	20 A
120660-55820	35	20 B
120660-78000	40	1
120660-78210	40	8
120660-78240	41	2
120660-78250	40	16
120660-78600	40	11
120660-78620	40	3
120660-85320	32	13
120660-85330	32	8
120660-85360	32	12
120662-01810	3	14
120662-17000	43	3
120662-21600	13	7 -1
124413-39100	20	1

Parts No. Index

Parts No.	Fig. No.	Ref. No.
127675-46012	30	1
128397-44500	26	19
128397-44510	26	20
129270-44501	26	23
129670-44570	26	21
165000-66910	35	1
165000-66930	13	17
	24	11
165000-66950	19	8
165000-67020	35	7
165000-67080	38	3
165000-67090	8	3
165000-67110	15	8
	16	11
165000-67120	13	18
165000-67180	38	4
165000-67230	2	11
165000-67240	24	8
165000-67280	18	2
165000-67290	1	8
165000-67300	38	5
165000-67330	2	13
165000-67360	9	5
	13	23
165000-67400	1	7
165000-67410	1	14
165000-67420	7	5
165000-67430	15	3
165000-67470	1	9
165000-67490	35	24
165000-67550	37	3
165000-67580	33	2
		3
165000-67720	1	11
165000-67730	1	3
	15	5
165000-67740	1	12
165000-67750	1	6
165000-67760	1	4
	16	7
165000-67770	1	15
165000-67780	1	5
165000-67790	1	2
165000-67810	18	1
165000-67830	9	3
165000-67840	9	4
165000-67870	7	6
165000-67880	1	10
165000-67890	10	8
165000-67900	7	8

Parts No.	Fig. No.	Ref. No.
165000-67910	7	7
165000-67920	7	2
165000-67930	7	4
165000-67950	24	9
165000-67960	24	10
165000-67980	9	13
165000-67990	8	4
165000-68000	8	5
165000-68010	9	6
165000-68050	8	1 A
165000-68060	8	1 B
165000-68070	8	1 C
165000-68120	9	16
165000-68130	7	3
165000-68150	9	1
165000-68160	9	10
165000-68170	9	11
165000-68180	9	9
165000-68210	7	1
165000-68230	9	8
165000-68240	9	2
165000-68280	8	2
165000-68310	4	1
165000-68320	18	10
165000-68330	4	16
165000-68340	4	17
165000-68350	4	18
165000-68360	4	19
165000-68390	2	2
165000-68400	2	3
165000-68410	2	5
165000-68420	2	4
165000-68430	2	1
165000-68440	13	16
165000-68450	2	6
165000-68460	12	5 AY
165000-68470	12	5 AG
165000-68480	12	5 AW
165000-68490	12	5 BY
165000-68500	12	5 BG
165000-68510	12	5 BW
165000-68520	12	5 CY
165000-68530	12	5 CG
165000-68540	12	5 CW
165000-68550	12	4 AY
165000-68560	12	4 AG
165000-68570	12	4 AW
165000-68580	12	4 BY
165000-68590	12	4 BG
165000-68600	12	4 BW

Parts No.	Fig. No.	Ref. No.
165000-68610	12	4 CY
165000-68620	12	4 CG
165000-68630	12	4 CW
165000-68640	12	2 AY
165000-68650	12	2 AG
165000-68660	12	2 AW
165000-68670	12	2 BY
165000-68680	12	2 BG
165000-68690	12	2 BW
165000-68700	12	2 CY
165000-68710	12	2 CG
165000-68720	12	2 CW
165000-68730	12	3 AY
165000-68740	12	3 AG
165000-68750	12	3 AW
165000-68760	12	3 BY
165000-68770	12	3 BG
165000-68780	12	3 BW
165000-68790	12	3 CY
165000-68800	12	3 CG
165000-68810	12	3 CW
165000-68820	15	2
165000-68850	12	1
		1 A-1
165000-68860	12	1 A
165000-68870	15	10
165000-68900	15	9
165000-68930	14	2
165000-68940	14	3 B
165000-68950	14	3 A
165000-68960	14	3 D
165000-68970	14	3 C
165000-68980	14	3 F
165000-68990	14	3 E
165000-69000	14	4 A
165000-69010	14	4 B
165000-69020	14	4 C
165000-69030	14	4 D
165000-69040	14	4 E
165000-69050	14	4 F
165000-69060	14	1
165000-69070	14	6
165000-69080	14	7
165000-69090	14	7 A
165000-69100	14	5
165000-69120	2	10
165000-69130	2	8
165000-69140	2	9
165000-69170	2	14
165000-69180	16	9

Parts No.	Fig. No.	Ref. No.
165000-69190	16	8
165000-69200	16	6
165000-69210	16	1
165000-69240	16	4
165000-69250	16	12
165000-69260	16	13
165000-69270	16	5
165000-69280	7	10
165000-69290	7	9
165000-69300	7	15
165000-69310	7	14
165000-69320	7	11
165000-69330	7	13
165000-69350	7	12
165000-69360	24	15
165000-69370	18	4
165000-69390	18	5
165000-69400	18	7
165000-69410	18	3
165000-69430	18	9
165000-69480	1	13
165000-69550	19	1
165000-69560	19	7
165000-69570	19	4
165000-69580	19	5
165000-69590	19	2
165000-69600	19	9
165000-69610	19	10
165000-69620	19	11
165000-69630	19	3
165000-69650	24	5
165000-69660	24	6
165000-69670	24	7
165000-69680	24	4
165000-69690	2	7
	24	3
165000-69710	24	1
165000-69720	24	2
165000-69760	24	13
165000-69770	24	17
165000-69780	24	14
165000-69800	10	4
165000-69810	10	3
165000-69820	10	6
165000-69830	10	5
165000-69840	10	7
165000-69850	10	9
165000-69860	10	2
165000-69870	10	1
165000-69910	9	12

Parts No. Index

Parts No.	Fig. No.	Ref. No.
165000-70000	8	7
165000-70040	38	1
165000-70060	38	1 A
165000-70070	38	2
165000-70100	37	2
165000-70110	37	1
165000-70120	19	6
165000-70150	35	25
165000-70160	35	5
165000-70170	35	23
165000-70180	35	22
165000-70200	35	21
165000-70210	16	3
165000-70220	15	6
165000-70230	15	4
165000-70240	16	2
165000-70250	15	7
	16	10
165000-70260	15	1
165000-70270	35	11
165000-70280	35	13
165000-70290	35	9
165000-70300	35	19
165000-70390	35	3
165000-70400	35	6
165000-70410	35	17
165000-70420	35	12
165000-70430	35	10
165000-70480	35	2
165000-70490	35	14
165000-70500	35	15
165000-70510	35	16
165000-70530	33	1
165000-70540	33	4
165000-70560	35	8
165000-70570	35	18
165000-70590	35	4
165000-70600	35	20
165000-70610	33	5
165000-70640	35	13 -1
165000-70660	8	6
165000-70680	13	21
165000-70690	13	22
165000-70700	9	14
165000-70730	9	15
165000-71020	9	13 -1
165000-93230	4	20
165000-93240	4	21
165000-93260	4	2
165000-93270	4	8

Parts No.	Fig. No.	Ref. No.
165000-93270	4	22
165000-93280	28	31
165000-93300	18	8 -1
165000-93310	13	19
165000-93320	24	13 -1
165000-93350	35	16 -1
165000-93360	1	1
165000-93610	24	1 -1
165001-22380	24	1 A
165001-25170	4	19 -1
165001-25180	38	1 -1
165001-25190	38	1 A-1
165001-35540	35	7 -1
165001-35650	35	2 -1
165001-35670	38	3 -1
165001-35680	8	3 -1
165001-35710	24	4 -1
165001-35730	24	13 -2
165001-35740	19	6 -1
165001-35760	37	1 -1
165001-35770	37	2 -1
165001-35780	9	3 -1
165001-35790	10	8 -1
165001-35800	24	9 -1
165001-35810	4	17 -1
165001-35820	4	18 -1
165001-35830	16	9 -1
165001-35840	35	4 -1
165001-35850	2	9 -1
165001-35880	35	1 -1
165001-35910	13	21 -1
165001-35920	7	1 -1
165001-35940	35	14 -1
165001-35950	35	15 -1
165001-35970	7	8 -1
165001-35980	4	16 -1
165001-35990	15	2 -1
165001-39220	9	4 -1
165001-39240	7	4 -1
23010-013000	26	22
23414-130000	29	45
23893-020002	29	46
D20650-49410	31	15
D20650-49420	31	16

Parts No.	Fig. No.	Ref. No.
-----------	----------	----------

Parts No.	Fig. No.	Ref. No.
-----------	----------	----------