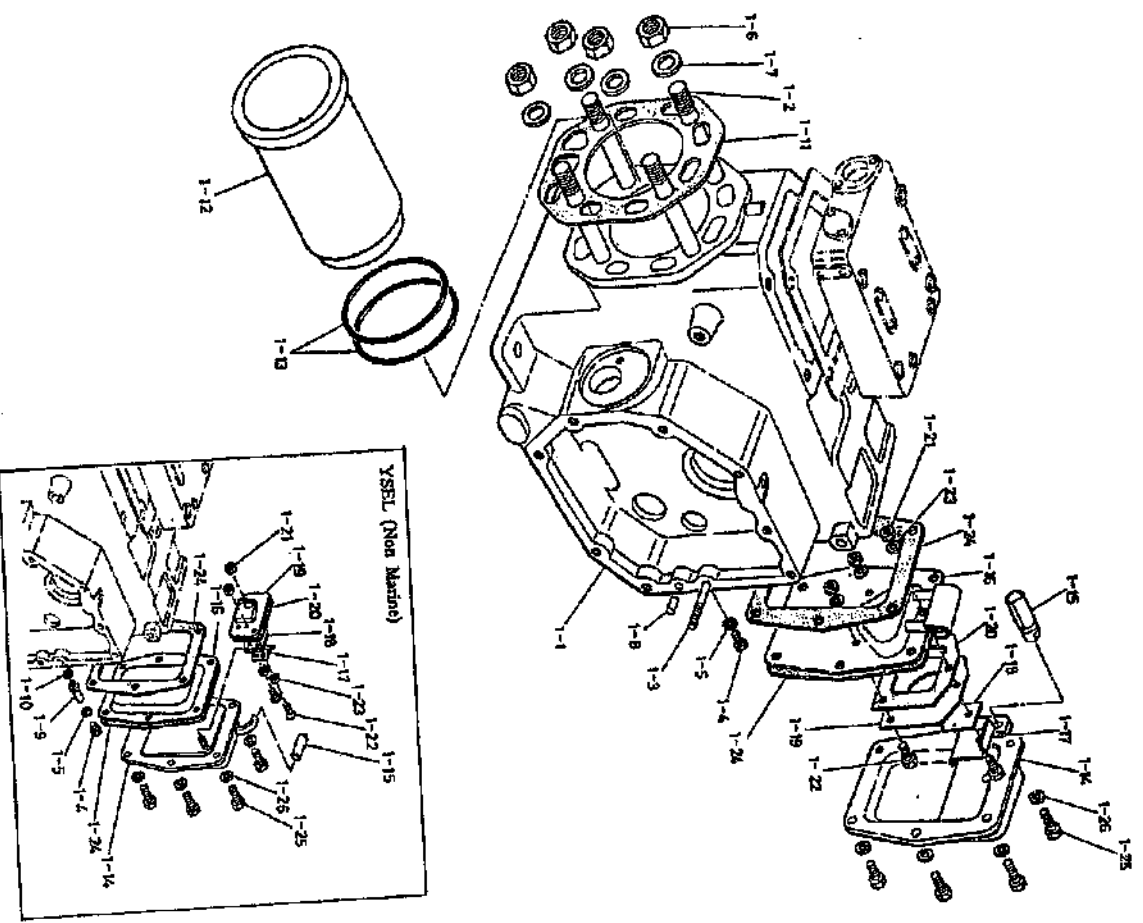
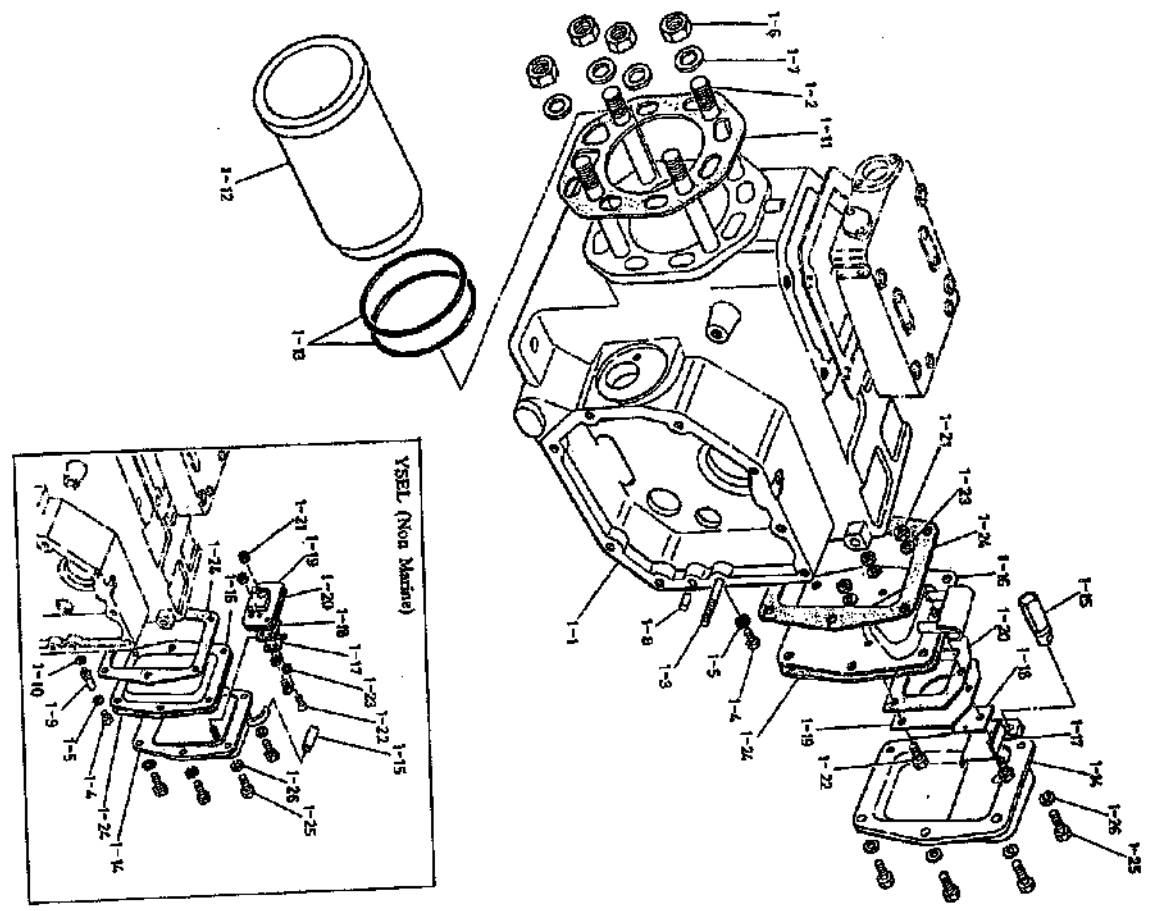


Titre du groupe:  
**CYLINDER BLOCK**

Designation

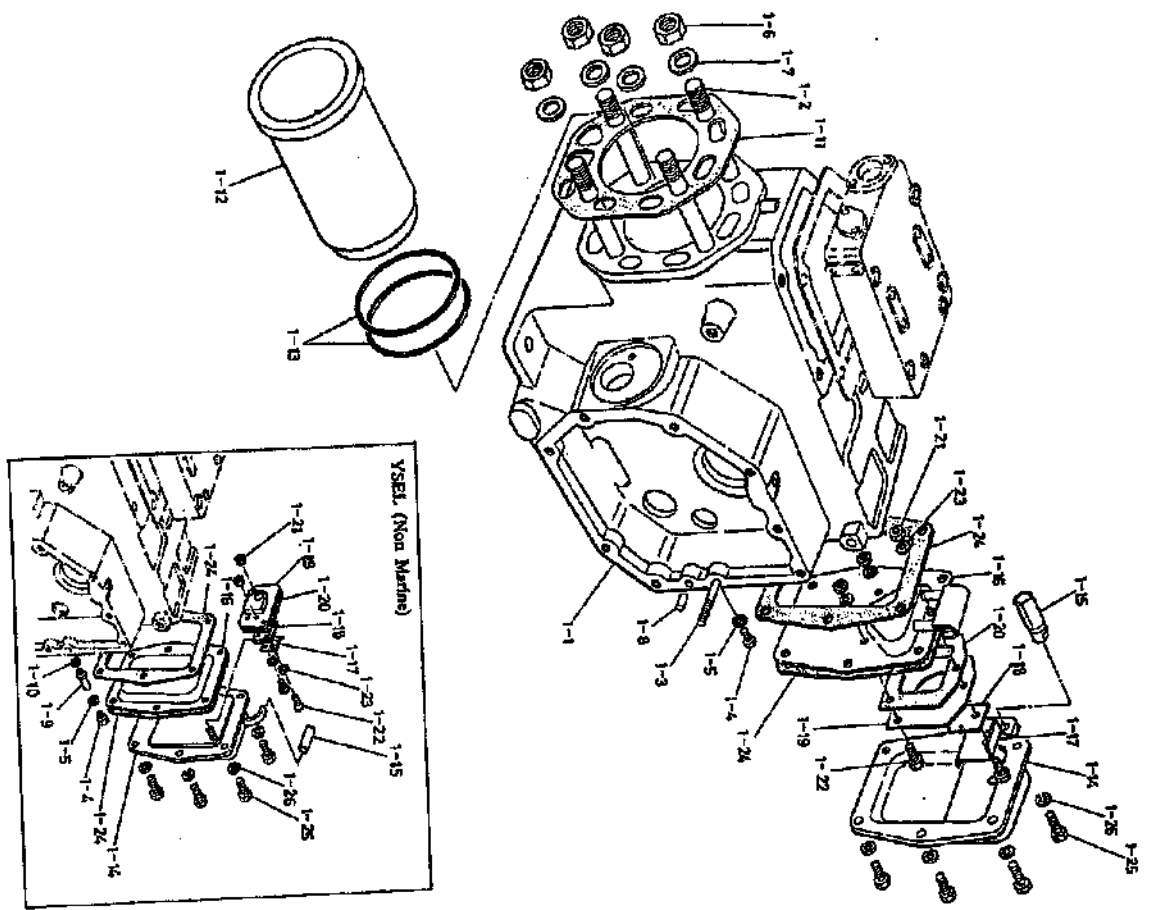
N° Réf.	N° Place	Designation
1-1	704211-01560	Cyl. Block Assy 241h-298l
1-1	704511-01560	Cyl. Block Assy 279h-358l
1-1	104200-01201	Stud, Cyl. Head 12d-122l
1-2	104300-01200	Stud, Cyl. Head 13d-132l
1-2	26212-060452	Stud, Cyl. Sede Cover M6-45
1-3	26212-060352	Stud, Cyl. Sede Cover M6-35
1-3	SEE PAGE 10	Main Bearing
6-15	SEE PAGE 10	Main Bearing
1-4	104200-01690	Main Bearing
1-5	23414-160000	Drain Plug, Oil Pan 16sd-28, 5loa
1-6	101158-01220	Packing 21.0d-11
1-6	104300-01220	Nut, Cyl. Head 21, 6od-12x
1-7	104200-01240	Nut, Cyl. Head 25, 4od-11t
1-7	103338-01240	Nut, Cyl. Head 25, 4od-11t
1-8	22312-050160	Washer, Cyl. Head 20-4t
13-20	SEE PAGE 28	Washer, Cyl. Head 22-4t
13-20	SEE PAGE 28	Parallel Pin 5d-16l
1-9	104300-01630	Needle Bearing
1-10	23414-160000	Spacer, Bearing
1-10	104200-01330	Drain Pipe 145l
1-11	104500-01330	Packing 21.0d-1t
1-11	704211-01900	Packing, Gasket 124w-146l
1-12	704200-01900	Packing, Gasket 136w-162l
1-12	704511-01900	Cyl. Liner Assy 90, 5od-138l
1-12	704500-01900	Cyl. Liner Assy 90, 5od-138l
1-13	101204-01300	Cyl. Liner Assy 105od-164l
1-13	103338-01300	Cyl. Liner Assy 105od-164l
1-14	704211-01520	Packing, Rubber 3, 1t-90, 6od
1-14	704214-01520	Packing, Rubber 3, 1t-104, 1od
1-15	23064-090180	Rear Cover Assy, Cyl. 120w-154h
1-16	104504-03080	Rear Cover Assy, Cyl. 120w-154h
1-16	104200-03080	Pipe, Air Breather 12od-180l
1-17	104104-03110	Shelter Plate, Air Breather 117w-170l
1-17	101158-03111	Shelter Plate, Air Breather 117w-170l
1-18	104104-03060	Shelter Plate, Air Breather 117w-148l
1-18	101158-03061	Shelter Plate, Air Breather 117w-148l
1-19	104104-03120	Plate, Check Valve Press 22w-34, 5l
1-19	104200-03090	Plate, Check Valve 55w-72l
1-20	104104-03130	Plate, Check Valve 55w-72l
1-20	104200-03100	Plate, Check Valve 55w-60l
1-21	26757-040002	Packing 50w-60l
1-21	26757-050002	Nut, Check Valve M4
1-21	26557-040102	Nut, Check Valve M5
1-22	26557-040062	Screw, Check Valve M4-10
1-23	22217-040000	Screw, Check Valve M4-6
1-23	22217-040000	Spring Washer 7, 6od-1t
1-24	104200-01490	Spring Washer 7, 6od-1t
1-25	26117-060129	Packing, Cyl. Rear Cover 114w-148h
1-25	22217-060000	Bolt, Cyl. Rear Cover M6-12
		Spring Washer 12, 2od-1, 5t



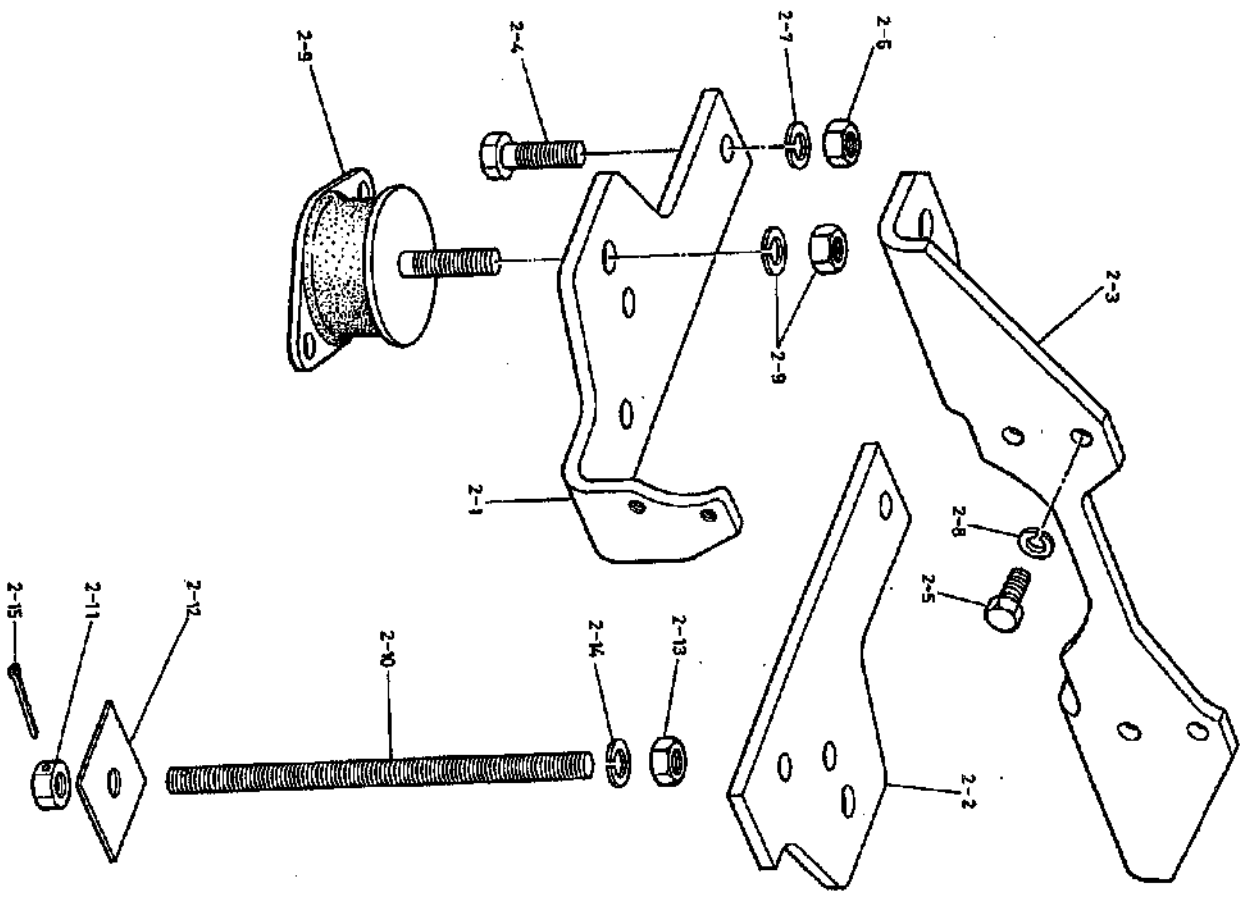


N° Ref.	N° pièce	Désignation
1-1	704211-01560	Cyl. Block Assy 241h-296l
1-1	704511-01560	Cyl. Block Assy 279h-358l
1-1	104200-01201	Stud, Cyl. Head 12d-122l
1-2	104300-01200	Stud, Cyl. Head 13d-132l
1-2	26212-060452	Stud, Cyl. Seda Cover M6-45
1-3	26212-060352	Stud, Cyl. Seda Cover M6-35
1-3	SEE PAGE 10	Main Bearing
6-15	SEE PAGE 10	Main Bearing
1-4	104200-01690	Drain Plug, Oil Pan 16sd-28; Sloa
1-5	23414-160000	Packing 210d-1t
1-6	101158-01220	Nut, Cyl. Head 21, 8sd-12t
1-6	104300-01220	Nut, Cyl. Head 25, 4sd-11t
1-6	104200-01240	Washer, Cyl. Head 20-4t
1-7	103338-01240	Washer, Cyl. Head 22-4t
1-7	22312-050160	Parallel Pin 5d-16l
1-8	SEE PAGE 28	Needle Bearing
13-20	SEE PAGE 28	Spacer, Bearing
1-9	104300-01630	Drain Pipe 145l
1-10	23414-160000	Packing 210d-1t
1-11	104200-01330	Packing, Gasket 124w-146l
1-11	104500-01330	Packing, Gasket 136w-162l
1-12	704211-01800	Cyl. Liner Assy 90; 5od-138l
1-12	704200-01800	Cyl. Liner Assy 105od-164l
1-12	704511-01900	Cyl. Liner Assy 105od-164l
1-12	704500-01900	Cyl. Liner Assy 105od-164l
1-12	704500-01900	Cyl. Liner Assy 105od-164l
1-12	704500-01900	Cyl. Liner Assy 105od-164l
1-12	704500-01900	Cyl. Liner Assy 105od-164l
1-12	704500-01900	Cyl. Liner Assy 105od-164l
1-13	103338-01300	Packing, Rubber 3, 1t-90; 6od
1-13	704214-01520	Packing, Rubber 3, 1t-104; 10d
1-14	704211-01520	Rear Cover Assy, Cyl. 120w-154h
1-14	23064-060180	Rear Cover Assy, Cyl. 120w-154h
1-15	104104-03080	Plate, Air Breather 12od-180l
1-16	104200-03080	Plate, Air Breather 12od-180l
1-16	104504-03080	Plate, Air Breather 12od-180l
1-16	104504-03080	Plate, Air Breather 12od-180l
1-16	104504-03080	Plate, Air Breather 12od-180l
1-16	104504-03080	Plate, Air Breather 12od-180l
1-17	104104-03110	Plate, Check Valve Press 22w-34; 5l
1-17	101158-03111	Plate, Check Valve Press 22w-33l
1-17	101158-03111	Plate, Check Valve Press 22w-33l
1-18	104104-03060	Check Valve, Air Breather 22w-33l
1-18	101158-03061	Check Valve, Air Breather 22w-33l
1-19	104104-03120	Plate, Check Valve 55w-72l
1-19	104200-03090	Plate, Check Valve 55w-80l
1-19	104200-03090	Plate, Check Valve 55w-80l
1-19	104104-03130	Packing 55w-72l
1-20	104200-03100	Packing 55w-80l
1-20	26757-040002	Nut, Check Valve M4
1-21	26757-050002	Nut, Check Valve M5
1-21	26557-040102	Screw, Check Valve M4-10
1-22	26557-040062	Screw, Check Valve M4-6
1-22	22217-040000	Spring Washer 7; 6od-1t
1-23	22217-040000	Spring Washer 7; 6od-1t
1-23	22217-040000	Spring Washer 7; 6od-1t
1-24	104200-01490	Packing, Cyl. Rear Cover 114w-148h
1-25	26117-060129	Bolt, Cyl. Rear Cover M6-12
1-26	22217-060000	Spring Washer 12; 2od-1; 5l

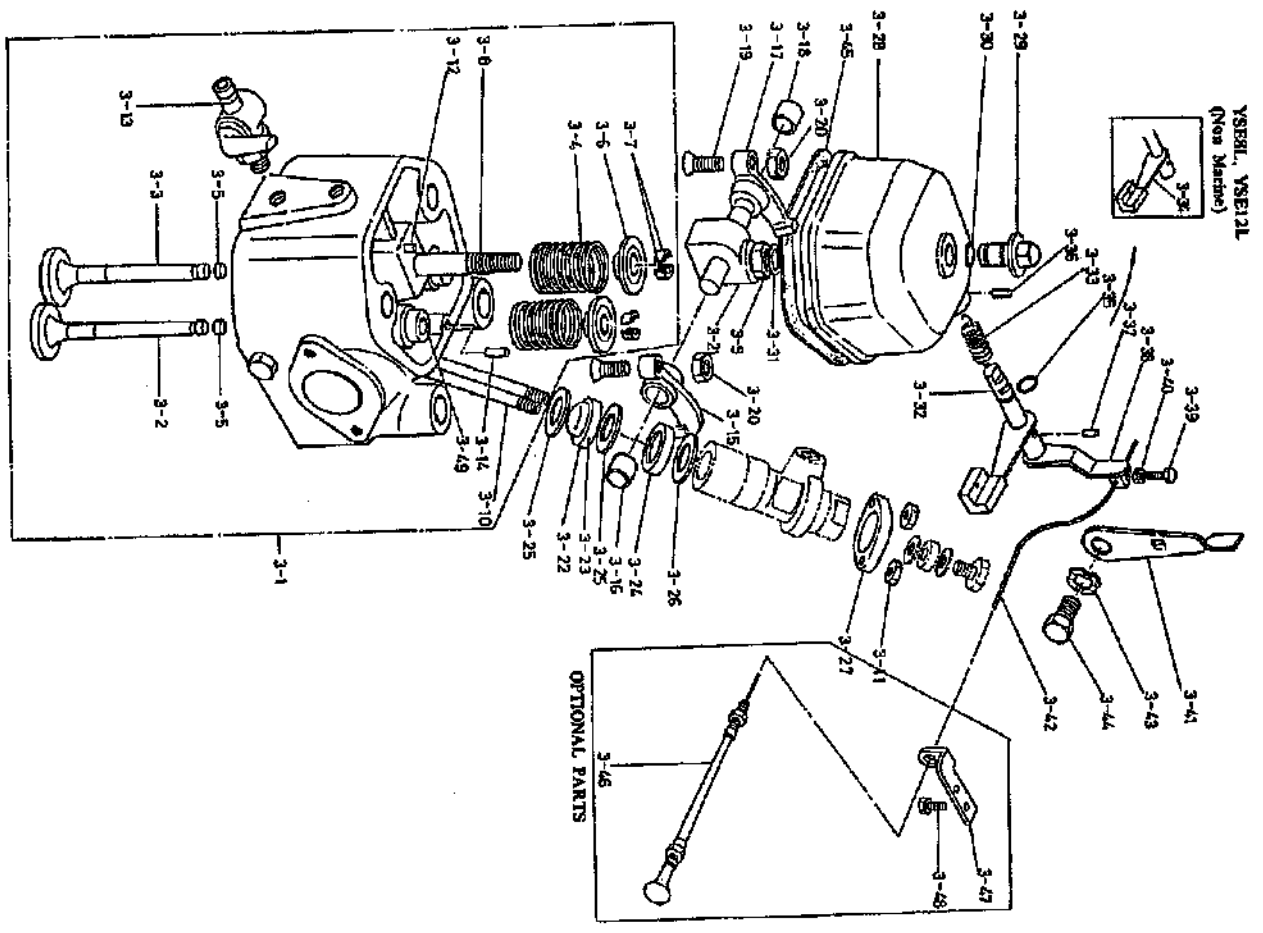
YSEL (Non Marquis)



**FOUNDATION PLATE & BOLT FOR INSTALLATION (OPTIONAL PARTS)**



N° Réf.	N° Pièce	Désignation
2-1	704214-08100	Foundation Plate Assy "optional Parts"
2-1	704514-08100	Foundation Plate Assy "optional Parts"
2-1	104214-08100	Plate, Eng. Front 113W-2571 "optional Parts"
2-1	104514-08100	Plate, Eng. Front 125W-2821 "optional Parts"
2-2	104214-08110	Plate, Eng. Front 113W-2001 "optional Parts"
2-2	104514-08110	Plate, Eng. Rear 125W-2001 "optional Parts"
2-3	104214-08120	Plate, Clutch 4101 "optional Parts"
2-3	104514-08120	Plate, Clutch 4701 "optional Parts"
2-4	28116-1204-02	Plate, Front & Rear Plate M12-40 "optional Parts"
2-5	26116-1002-22	Plate, Clutch M10-22 "optional Parts"
2-6	26716-1200-02	Bolt, Front & Rear Plate M12 "optional Parts"
2-7	22217-1200-00	Nut, Front & Rear Plate M12 "optional Parts"
2-8	22217-1000-00	Spring Washer 21.50d-3t "optional Parts"
2-8	104214-08340	Shock Absorber W/nut 90t "optional Parts"
2-9	704214-92300	Foundation Bolt Assy "optional Parts"
2-10	104214-92900	Bolt M12-220 "optional Parts"
2-11	104214-92930	Nut, Under 21.9ds-10t "optional Parts"
2-12	102410-92840	Square Washer 52w-52t "optional Parts"
2-13	28717-1200-02	Nut, Upper M12 "optional Parts"
2-14	22217-1200-00	Spring Washer 21.50d-3t "optional Parts"
2-15	22411-3003-20	Cotter Pin 3d-38t "optional Parts"



INTRE DU CILINDRE: **CYLINDER HEAD & DE-COMPRESSION REMO. CON.**

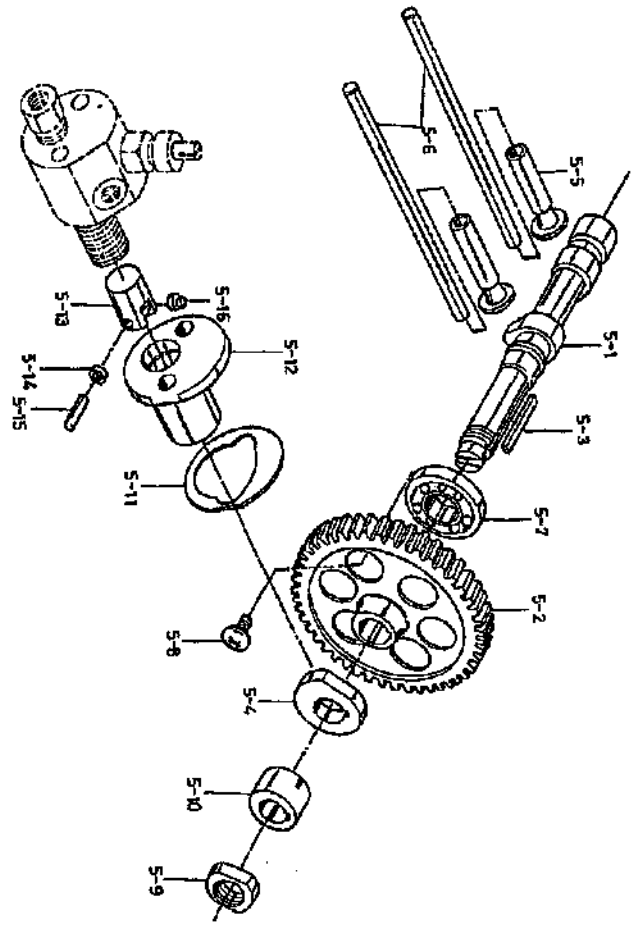
N° Réf.	N° pièce	Désignation
3-1	704211-11700	Cyl. Head Assy 124w-152l
3-1	704S11-11700	Cyl. Head Assy 136w-168l
3-2	104211-11100	Valve, Suction 32d-94.8l
3-2	104S11-11100	Valve, Suction 36.5d-111.5l
3-3	104211-11110	Valve, Exhaust 27d-94.8l
3-3	104S11-11110	Valve, Exhaust 30.5d-111.5l
3-4	104211-11120	Spring, Suc./exh. Valve 27.7od-41l
3-4	104S11-11120	Spring, Suc./exh. Valve 24.2od-40l
3-5	104211-11370	Retainer, Valve Head 11d-3.9l
3-5	104S11-11370	Retainer, Valve Head 12d-5t
3-6	104211-11180	Retainer, Valve Spring 28d-11.3h
3-6	103338-11180	Retainer, Valve Spring 11d-9.5h
3-7	101158-11190	Coiler, Valve Spring 11.5d-11h
3-7	103338-11190	Stud, Valve Rocker Arm Support 10d-76ka
3-8	104200-11350	Stud, Valve Rocker Arm Support 10d-80la
3-8	104500-11350	Nut, Valve Rocker Arm Support M10
3-9	26736-100002	Stud, Fuel Injection Valve 8d-71oa
3-10	26217-080702	Stud, Fuel Injection Valve 8d-71oa
3-10	26717-080802	Nut, Fuel Injection Valve M8
3-11	22351-068012	Spring Pin, Rocker Arm Support 6od-12l
3-12	104200-11920	Drain Cock 19sd-52l
3-13	22351-040010	Spring Pin, Bonnet 6od-10l
3-14	104200-11380	Rocker Arm Assy, Suc. Valve 62.5l
3-15	104500-11380	Rocker Arm Assy, Suc. Valve 66l
3-15	104500-11360	Bush, Rocker Arm 14od-14l
3-16	104500-11380	Bush, Rocker Arm 18od-17l
3-17	104500-11390	Rocker Arm Assy, Exh. Valve 62.5l
3-18	104500-11390	Rocker Arm Assy, Exh. Valve 66l
3-18	104500-11390	Bush, Rocker Arm 14od-14l
3-19	101158-11230	Bush, Rocker Arm 18od-17l
3-20	26757-080002	Screw, Rocker Arm Adjusting M8-30
3-21	104200-11260	Nut, Rocker Arm Adjusting M8
3-21	104500-11260	Support, Valve Rocker Arm 35l-50l
3-22	104200-11420	Support, Valve Rocker Arm 40h-60l
3-22	104500-11420	Chamber Assy, Front Pre-combus. 32od-26.5h
3-23	104500-11420	Chamber Assy, Front Pre-combus. 32od-26.5h
3-24	104200-11410	Pin, Front Pre-combus. 29od-8.5h
3-24	103438-11410	Chamber, Rear Pre-combus. 29od-8.5h
3-25	101204-11450	Chamber, Pre-combus. 32od-12h
3-25	101704-11450	Packing, Pre-combus. Chamber 28.5od-0.5t
3-26	103854-11490	Packing, Pre-combus. Chamber 31.8od-0.5t
3-27	101147-11900	Insulator, Chamber Heating 24.5od-1t
3-28	704200-11520	Flange, Fuel Injection Valve 62l-14t
3-29	704500-11520	Flange, Fuel Injection Valve 62l-14t
3-30	104200-11850	Bonnet Assy 95.5w-117.5l
3-31	22242-000140	Bonnet Assy 98w-134.5l
3-32	22242-000140	Knob, Bonnet 22d-32l
		O-ring, Bonnet Knob 14.5d-1.5t
		Circlip, Bonnet Knob 18.3od-1t
		Decomp. Shaft

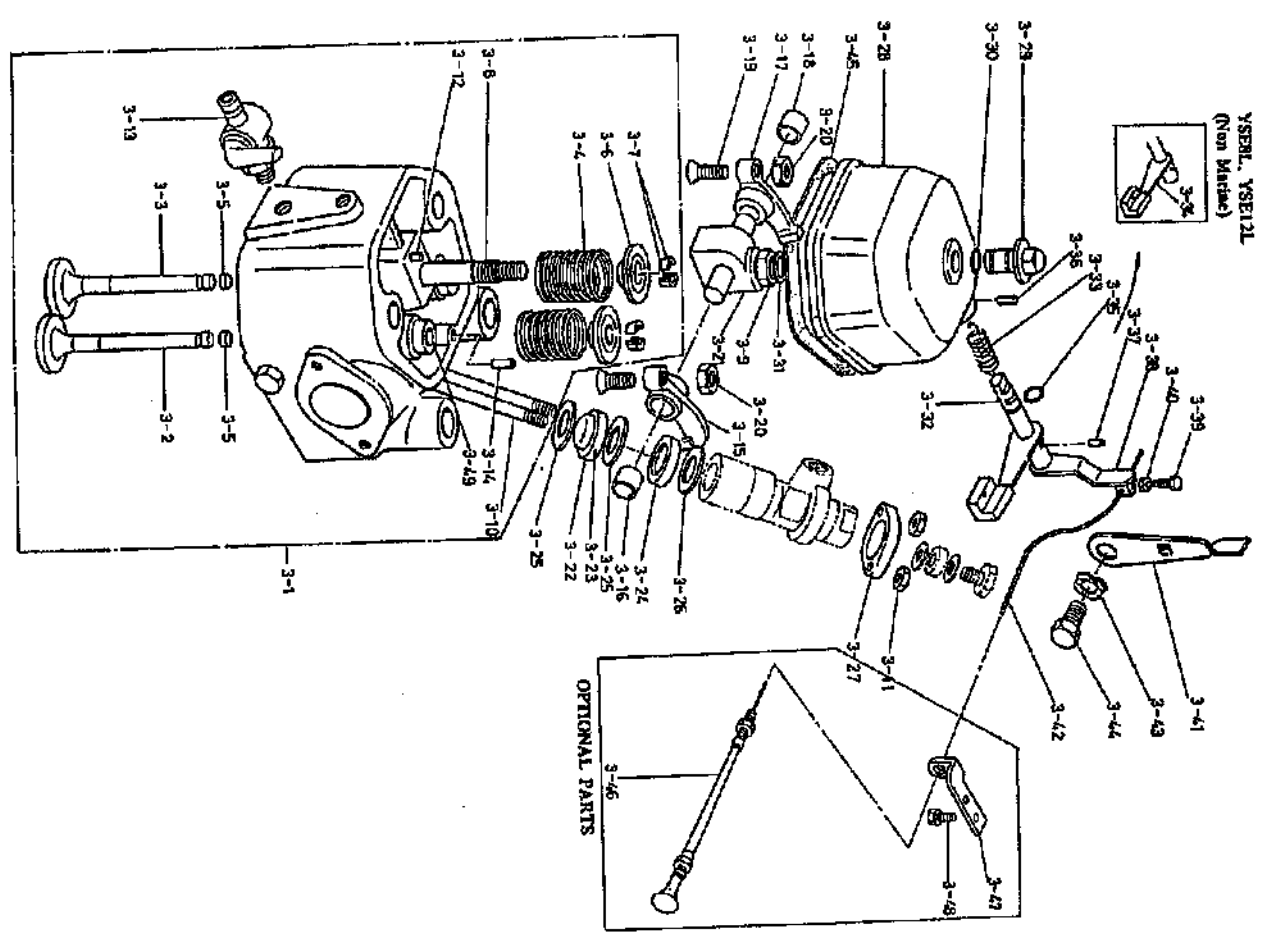
N° d'origine  
FIG.5

Titre du schéma.  
**CAM SHAFT**

N° Ref.	N° Pièce	Désignation
---------	----------	-------------

5-1	104200-14010	Cam Shaft 190l
5-1	104500-14010	Cam Shaft 212l
5-2	104200-14100	Gear, Camshaft 120d-25l
5-2	104500-14100	Gear, Camshaft 140d-25l
5-3	103338-14190	Key, Camshaft Gear 5w-3Bl
5-3	103338-14190	Key, Camshaft Gear 5w-3Bl
5-4	101158-14090	Fuel Cam 41l-9l
5-4	104300-14090	Fuel Cam 63.5l-9l
5-4	104300-14090	Fuel Cam 63.5l-9l
5-5	104200-14200	Tappet 26d-54l
5-5	103338-14200	Tappet 26d-67l
5-5	103338-14200	Tappet 26d-67l
5-6	104200-14400	Push Rod 6d-170l
5-6	104200-14400	Push Rod 7d-201l
5-6	104500-14400	Push Rod 7d-201l
5-7	24101-060044	Ball Bearing 42od-12l
5-7	24101-060044	Ball Bearing 55od-13l
5-7	26587-080122	Screw M8-12
5-8	104300-76460	Nut, Camshaft 30od-18l
5-9	104211-14490	Nut, Camshaft 30od-18l
5-10	104511-14490	Spacer 28od-13l
5-10	104200-54230	Spacer 38od-12l
5-11	104200-54010	Shim Set, Adjust 53.5d
5-12	104200-54010	Mount, Fuel Injection Pump 53.5d-50l
5-13	704200-54500	Roller Guide Assy 22d-29l
5-13	174100-54190	Roller Assy
5-13	174100-54190	Roller Assy
5-14	174100-54110	• Roller 9d-15l
5-14	174100-54110	• Pin 7d-21.5l
5-15	174100-54120	Stoper, Roller Guide Lock 11d-7.5l
5-16	174100-54180	Stoper, Roller Guide Lock 11d-7.5l

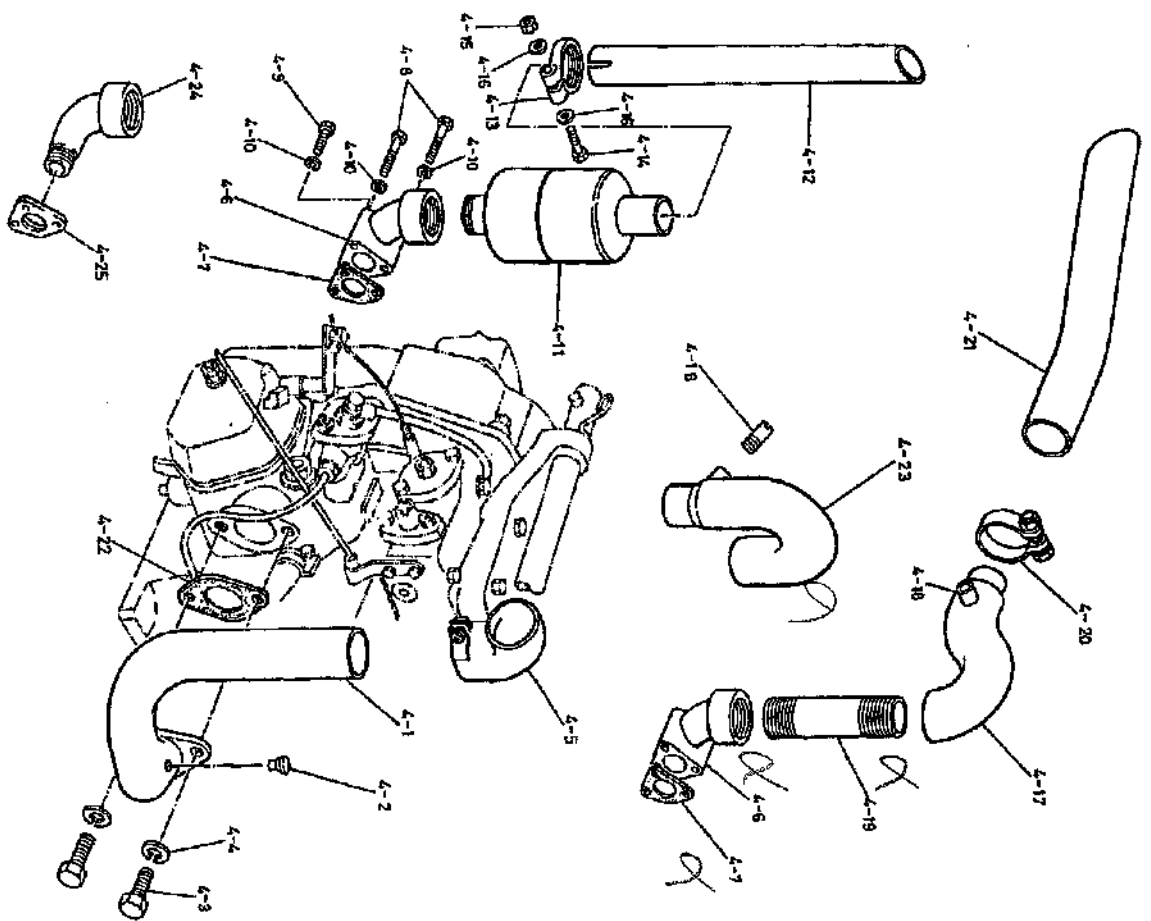




Titre du effiché: CYLINDER HEAD & DE-COMPRESSION REMO. CON.

N° Réf.	N° Pièce	Désignation
3-33	104200-03641	Decomp. Spring 13.20d-24l
3-34	104104-03750	Decomp. Lever 15w-67.5l
3-35	104104-03750	O-ring
3-36	104104-03750	Parallel Pin
3-37	22322-030160	Taper Pin 3d-16l
3-38	104211-03740	Decomp. Lever (a) Assy 46w-60l
3-39	26113-050128	Bolt, Lever M5-12
3-40	26753-050002	Nut, Lever M5
3-41	104211-03760	Decomp. Lever (b) 77l-2.3k
3-42	104211-03850	Decomp. Wire 450l-1.5k
3-43	104511-03850	Decomp. Wire 520l-1.5k
3-44	104211-03840	Washer, Decomp. Lever 12.50d-0.3k
3-45	104200-11310	Bolt, Decomp. Lever M6-16.8
3-46	104500-11310	Packing, Bonnet 117.5l-46.5w
3-47	104214-03710	Packing, Bonnet 134.5l-96w
3-48	26117-060129	Guide, Valve 44l
		Guide, Valve 55l
		Decompression Remote Control Equipment "optional Parts"
		Wire W/bulbon 3000l "optional Parts"
		Support 80l-2.3l "optional Parts"
		Bolt M6-12 "optional Parts"

N° cliché  
FIG.4

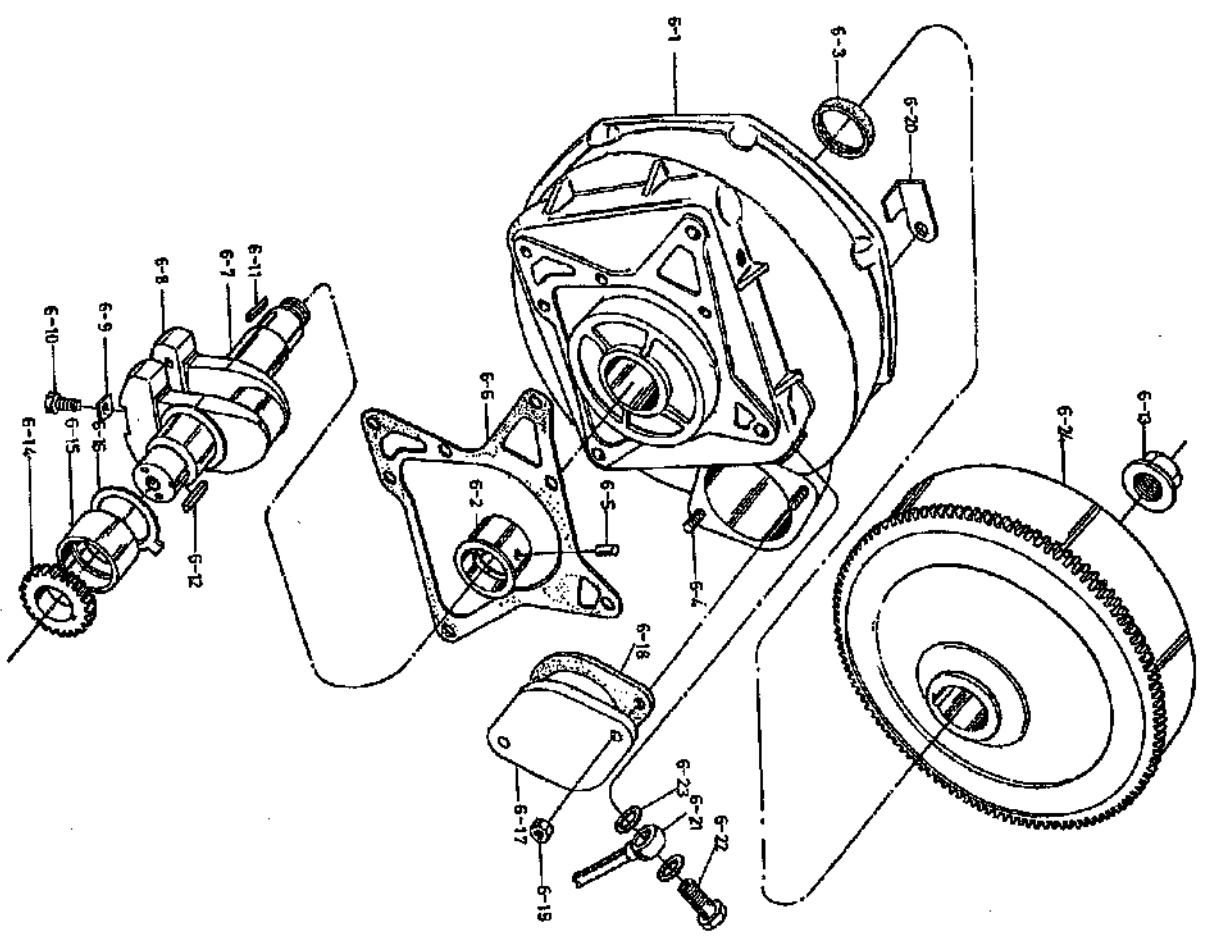


Titre du cliché.  
**SUCTION PIPE & EXHAUST ELBOW**

N° Réf.	N° Place	Désignation
4-1	104214-12020	Pipe, Suction 189h
4-1	104514-12020	Pipe, Suction 192h
4-2	104200-12030	Cup, Gasoline Spray 18h
4-3	26117-080189	Bolt, Suction Pipe M8-23.5
4-4	22217-080000	Spring Washer 15.4od-2t
4-5	104211-12110	Elbow, Suction 75h
4-5	104511-12110	Elbow, Suction 75h
4-6	104211-13070	Elbow/ Exhaust 130h-Pt 1-1/2
4-6	104511-13070	Elbow/ Exhaust 146h-Pt 1-1/2
4-7	104211-13200	Packing, Exh. Gasket 70i-2t
4-7	104500-13200	Packing, Exh. Gasket 87i-2t
4-8	26113-080652	Bolt, Exh. Elbow M8-65
4-8	26113-080702	Bolt, Exh. Elbow M8-70
4-9	26113-080402	Bolt, Exh. Elbow M8-40
4-9	26113-080352	Bolt, Exh. Elbow M8-35
4-10	22217-080000	Spring Washer 15.4od
4-10	104211-13530	Silencer 1000d-245i
4-11	104511-13530	Silencer 1350d-254i
4-12	104211-13060	Pipe, Exhaust 43od-545i
4-13	104211-13580	Clamp, Exhaust Pipe 61od-14t
4-14	26117-080602	Bolt, Clamp M8-60
4-15	26717-080002	Nut, Clamp M8
4-16	22137-080000	Washer, Clamp 18od-1.6t
4-18	104211-12100	Packing, Suction Pipe
4-22	104511-12100	Packing, Suction Pipe
4-22	704214-13700	Exhaust Silencer Assy, Dry Type "optional Parts"
4-22	704514-13700	Exhaust Silencer Assy, Dry Type "optional Parts"
4-11	104211-13530	Silencer 1000d-245i "optional Parts"
4-11	104511-13530	Silencer 1350d-254i "optional Parts"
4-12	104211-13060	Pipe, Exhaust 43od-545i "optional Parts"
4-13	104211-13580	Clamp, Exhaust Pipe 61od-14t "optional Parts"
4-14	26117-080602	Bolt, Clamp M8-60 "optional Parts"
4-15	26717-080002	Nut, Clamp M8 "optional Parts"
4-16	22137-080000	Washer, Clamp 18od-1.6t "optional Parts"
4-17	104214-13500	Exhaust Silencer Assy Wet Type 48od-231i "optional Parts"
4-18	104211-48080	Silencer, Water Injection "optional Parts"
4-18	104214-13520	Joint, Water Pipe Pt1/4"-32i "optional Parts"
4-23	104211-48060	Water Mixing Elbow, (U-type) 179i-142w "optional Parts"
4-24	104214-13520	Water Mixing Elbow, "optional Parts"
4-24	704514-13200	Joint, Water Pipe Pt1/4"-32i "optional Parts"
4-25	704514-13200	Elbow W/flange (universal Type) "optional Parts"
4-19	704514-13200	Flange "optional Parts"
4-20	704514-13200	Joint Supply On The Spot "addition"
4-21	704514-13200	Clamp Supply On The Spot "addition"
4-21	704514-13200	Pipe Supply On The Spot "addition"



N° cliché  
FIG. 6

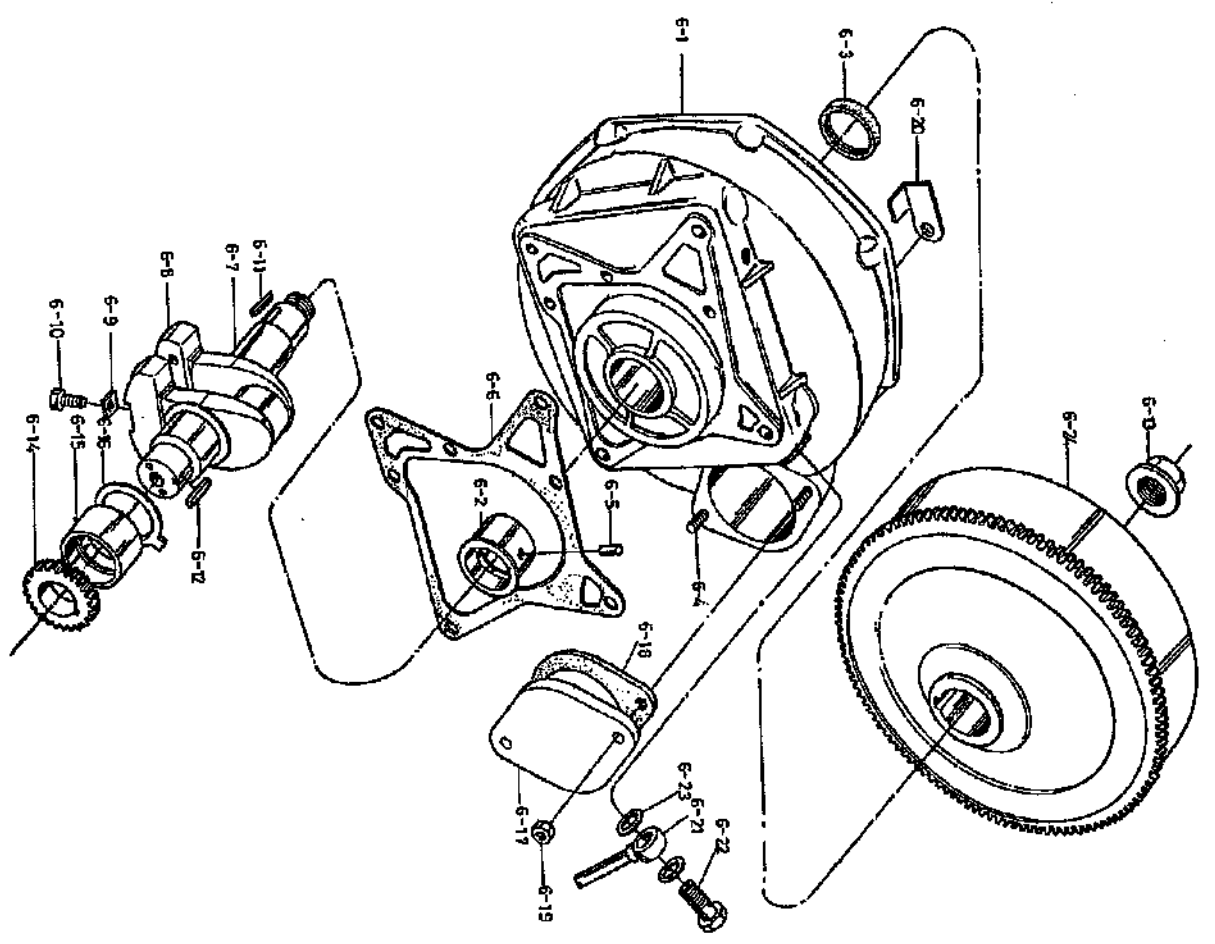


Titre du cliché.

**MAIN BEARING & CRANKSHAFT**

N° Réf.	N° Piece	Désignation
6-1	704211-02500	Housing Assy, Flywheel 125w-344od
6-1	704511-02500	Housing Assy, Flywheel 152w-375od
6-2	104200-02120	Main Bearing 60od-27.5w
6-2	103338-02120	Main Bearing 70od-30w
6-3	104200-02220	Oil Seal, Crankshaft 60od-9t
6-3	103338-02220	Oil Seal, Crankshaft 70od-9t
6-3	104211-02220	Oil Seal, Crankshaft 60od-9t 70od-9t
6-3	104211-02220	Oil Seal, Crankshaft 60od-9t 70od-9t
6-4	26216-100222	Stud 10sd-37t
6-5	102109-02190	Pin 3.5d-3.5t
6-6	104211-02200	Packing, Flywheel Housing 183w-209t
6-6	104511-02020	Packing, Flywheel Housing 195w-223t
6-7	704211-21700	Crankshaft Assy 219t
6-7	704511-21700	Crankshaft Assy 254.5t
6-8	104211-21100	Balance Weight 23.9w-94t
6-8	104511-21100	Balance Weight 23w-104t
6-8	104200-21100	Balance Weight 23w-104t
6-8	104500-21100	Balance Weight 23w-104t
6-9	103338-21140	Washer, Balance Weight 23w-26t
6-10	26152-100451	Bot, Balance Weight M10-45
6-11	22512-100300	Key, Flywheel 10w-30t
6-11	103338-21190	Key, Flywheel 8w-35t
6-12	101158-21290	Key, Crankshaft Gear 5w-10t
6-12	101300-21290	Key, Crankshaft Gear 7w-13.5t
6-13	104200-21530	End Nut 22w-58od
6-13	103854-21530	End Nut 27w-68od
6-14	104211-21200	Gear, Crankshaft 11t-63.5d
6-15	104511-21200	Gear, Crankshaft 16t-72.5d
6-15	104200-02100	Main Bearing 48od-25w
6-15	104500-02100	Main Bearing 57od-27.5w
6-16	104500-02110	Main Thrust Bearing 59od-2.5t
6-17	104211-02310	Main Thrust Bearing 70od-2.5t
6-18	104211-77080	Blind Cover 134t-11t
6-19	26716-100002	Packing, Blind Cover 134t
6-20	104211-02880	Nut, Blind Cover Or Starter M10
6-20	104511-02880	Nut, Blind Cover Or Starter M10
6-21	104211-02880	Baffle Plate 20w-50t
6-22	101147-59810	Pipe, Breather 8od-166t
6-23	23414-080000	Ball, Pipe Joint 8sd-23t
6-24	104211-21590	Packing 12od-11t
6-24	104511-21590	Flywheel W/iring Gear 293.8d-107w
6-24	104211-21400	Flywheel, W/iring Gear 324.3d-120w
6-24	104511-21400	Flywheel, Without Ring Gear 293.8d-107w
6-24	104511-21400	Flywheel, Without Ring Gear 293.8d-120w
6-2	104500-02150	Main Bearing, (u.s. 0.25) "optional Part"
6-2	104200-02160	Main Bearing, (u.s. 0.5) "optional Part"
6-2	104500-02160	Main Bearing, (u.s. 0.25) "optional Part"
6-15	104200-02130	Main Bearing, (u.s. 0.25) "optional Part"
6-15	104500-02130	Main Bearing, (u.s. 0.25) "optional Part"

N° cliché  
FIG. 6



Titre du cliché.

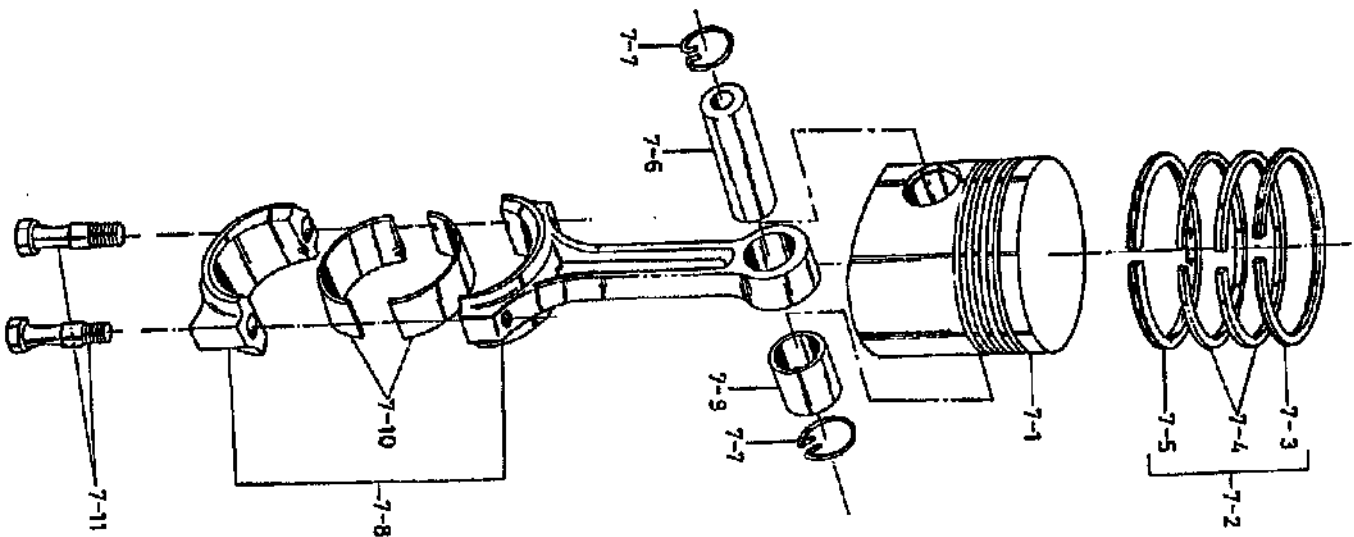
**MAIN BEARING & CRANKSHAFT**

N° Réf.	N° Pièce	Désignation
6-15	104200-02140	Main Bearing, (u.s. 0.5) "optional Part"
6-15	104500-02140	Main Bearing, (u.s. 0.5) "optional Part"

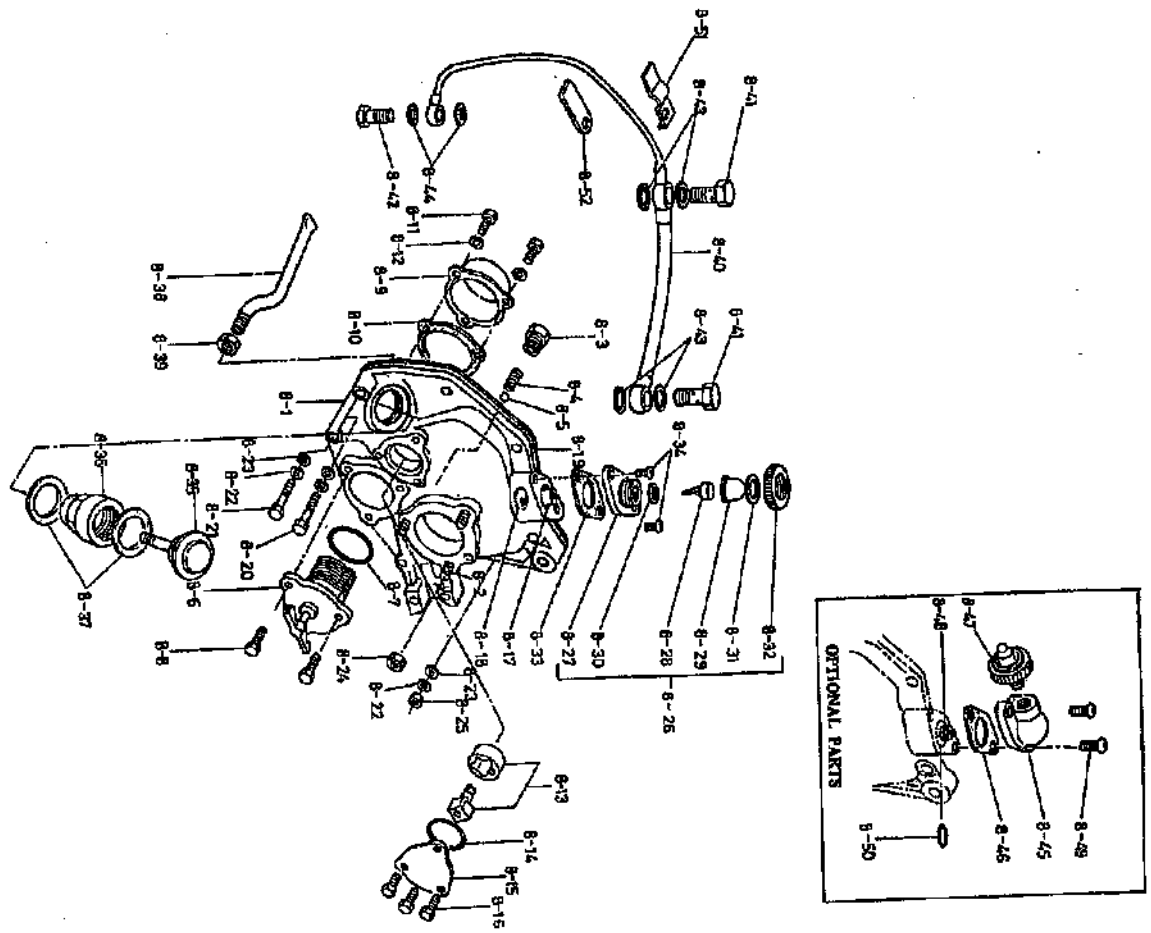
N° cliché  
FIG. 7

Titre du cliché

**PISTON & CONNECTING ROD**

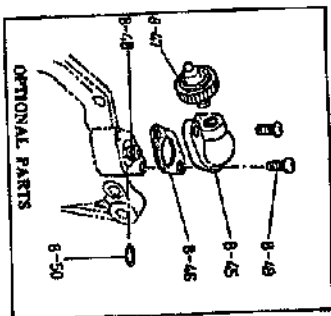
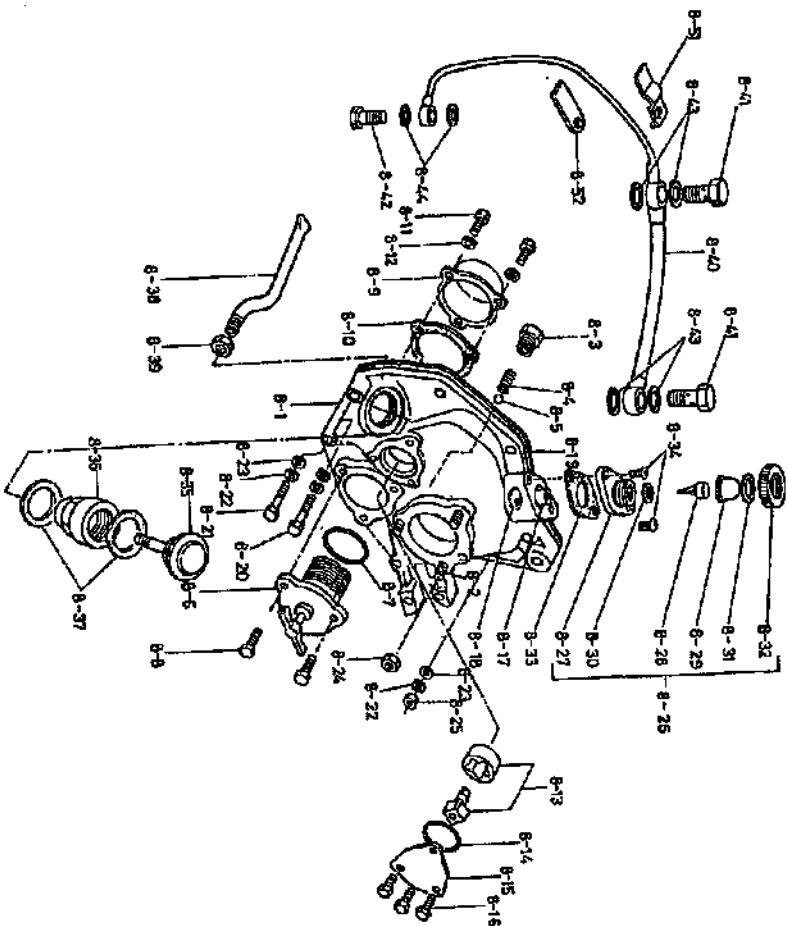


N° Réf.	N° Pièce	Désignation
7-1	104211-22090	Piston Assy 75d-72l
7-1	104511-22090	Piston Assy 85d-88l
7-2	704200-22500	Ring Set
7-2	704500-22500	Ring Set
7-3	704500-22500	• Ring, No.1 75od-2l
7-3	704500-22500	• Ring, No.1 85od-2.5l
7-4	704500-22500	• Ring, No.2, No.3 75od-2l
7-4	704500-22500	• Ring, No.2, No.3 85od-2.5l
7-5	704500-22500	• Ring, Oil Control 75od-4l
7-5	704500-22500	• Ring, Oil Control 85od-4l
7-6	104200-22300	Piston Pin 23d-63l
7-6	103438-22300	Piston Pin 28d-71l
7-7	172100-22400	Circlip, Piston Pin 24.5d-1.4l
7-7	124250-22400	Circlip, Piston Pin 30d-1.4l
7-8	704200-23100	Connecting Rod Assy 180.5l
7-8	704500-23100	Connecting Rod Assy 219.5l
7-8	704211-23100	Connecting Rod Assy 180.5l
7-8	704511-23100	Connecting Rod Assy 219.5l
7-9	104200-23100	Bush, Piston Pin 25od-27w
7-9	103438-23100	Bush, Piston Pin 31od-31w
7-10	104200-23340	Conn. Rod Bearing 45od-26w
7-10	103338-23340	Conn. Rod Bearing 49od-28w
7-11	104200-23200	Bolt, Connecting Rod 465l-9sd
7-11	104500-23200	Bolt, Connecting Rod 53.5l-9sd
7-11	104211-23200	Bolt, Connecting Rod 48.5l-9sd
7-11	104511-23200	Bolt, Connecting Rod 60.5l-9sd
7-10	104200-23350	Conn. Rod Bearing (u.s. 0.25) "optional Part"
7-10	104500-23350	Conn. Rod Bearing (u.s. 0.25) "optional Part"
7-10	104200-23360	Conn. Rod Bearing (u.s. 0.5) "optional Part"
7-10	104500-23360	Conn. Rod Bearing (u.s. 0.5) "optional Part"



Titre du cliché: N° cliché  
**CYL. SIDE COVER & LUB. OIL SYSTEM**

N° Réf.	N° Pièce	Désignation
8-1	704211-01500	Cyl. Side Cover Assy 201w-243l
8-1	704511-01500	Cyl. Side Cover Assy 237w-258l
8-2	26218-080162	Bolt, Power Take-off Shaft M8-16
8-3	104211-34010	Body, Oil Press, Adjust Valve 145d-190ea
8-3	104211-34040	Spring, Adjust Valve 7.5od-22l
8-4	24190-100001	Steel Ball 5/16" d
8-5	104211-35130	Strainer, Lub. Oil 91l
8-6	104200-35280	O-ring, Lub. Oil Strainer 2r-47.5od
8-7	26117-060162	Bolt M6-16
8-8	104211-35270	Case, Lub. Oil Strainer 47.2d-35l
8-9	104211-35120	Packing, Strainer Case 66l-0.3t
8-10	26117-050129	Bolt M6-12
8-11	22217-060000	Spring Washer 12.2od
8-12	104300-32150	Rotor Assy, Lub oil Pump 12w-29d
8-13	104500-32150	Rotor Assy, Lub oil Pump 16w-29d
8-13	103338-32570	O-ring, Pump Cover 2r-37.5od
8-14	103338-32070	Cover, Lub. Oil Pump
8-15	26117-060102	Bolt, Cover M6-10
8-16	104211-34590	Guide, Oiler Rotor 10od-30l
8-17	104211-34600	Plate, Lub. Oil Control 10d-2r
8-18	104211-01410	Packing, Cyl. Side Cover 193w-195l
8-19	104511-01410	Packing, Cyl. Side Cover 222w-233l
8-19	26116-060352	Bolt, Cyl. Side Cover M6-35
8-20	26116-060202	Bolt, Cyl. Side Cover M6-20
8-21	22217-060000	Spring Washer 12.2od
8-22	22137-060000	Washer 11.5od-0.5t
8-23	26716-080002	Nut, P.t.o. Shaft Supper M6
8-24	26716-060002	Nut, Cyl. Side Cover M6
8-25	704200-34500	Oiler Assy
8-26	704200-34500	Body, Oiler 14w-64l
8-27	101200-34520	Rotor, Oiler 15d-40l
8-28	101200-34530	Glass, Oiler 29od-20h
8-29	172200-34550	Packing, Oiler Glass 29.5od-2r
8-30	172200-34550	Packing, Oiler Glass Upper 29od-11
8-31	103884-34540	Retainer, Oiler Glass 37od-11w
8-32	104200-34510	Packing, Oiler Body 64l-0.3t
8-33	26557-060162	Screw, Oiler Body M6-16
8-34	104214-01750	Cap W/gauge, Lub. Oil Inlet 38d-148l
8-35	104514-01750	Cap W/gauge, Lub. Oil Inlet 38d-166l
8-36	104214-01770	Spacer, Lub. Oil Inlet 40d-57l
8-37	101104-01760	Packing, Cap & Spacer 35od-2r
8-38	104500-35060	Pipe, Lub. Oil Inlet 145l-pf 1/8
8-38	104211-35080	Pipe, Lub. Oil Inlet 185l-pf 1/8
8-38	104500-35080	Pipe, Lub. Oil Inlet 138l-pf 1/8
8-38	104500-35080	Pipe, Lub. Oil Inlet 153l-pf 1/8
8-39	104200-35070	Nut, Pipe
8-40	104211-39200	Pipe, Lub. Oil (Cyl. Wheel Cyl. Head) About 525l
8-40	104511-39200	Pipe, Lub. Oil (Cyl. Wheel Cyl. Head) About 716l
8-41	103854-39140	Bolt, Pipe Joint (Cyl. & Wheel) 12sd-320ea
8-42	101147-59810	Bolt, Pipe Joint (Cyl. Head) 8sd-250ea



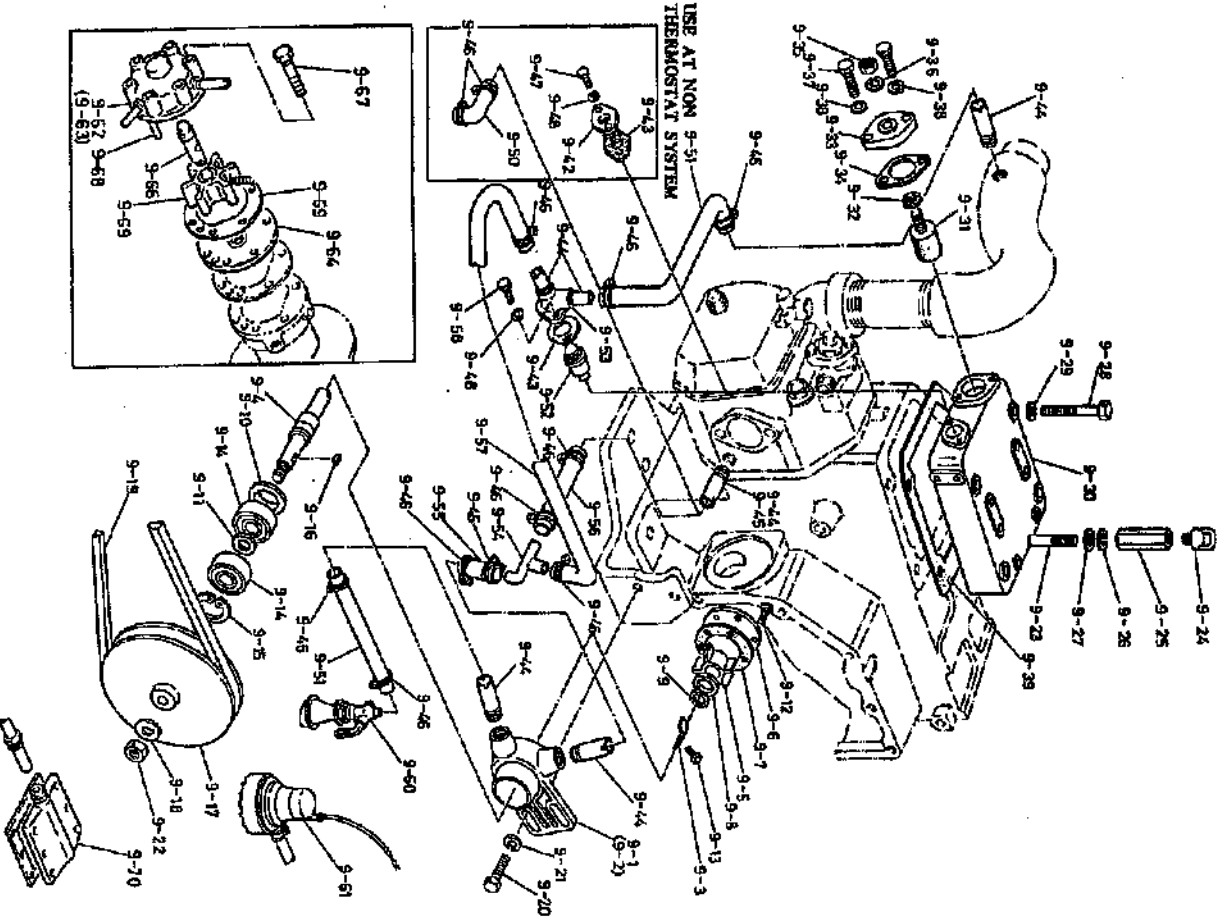
Titre du cliché.  
**CYL. SIDE COVER & LUB. OIL SYSTEM**

N° Réf.	N° Pièce	Désignation
8-43	23414-120000	Packing 160d-1t
8-44	23414-080000	Packing 120d-1t
8-44	704214-34540	Oil Press. Switch Assy "optional Parts"
8-44	704211-34601	Support Assy "optional Parts"
8-45	104211-39400	Support Oil Press. Switch 28h-64l "optional Parts"
8-46	181230-39450	Support, Press. 38l "optional Parts"
8-47	104200-34510	Packing, Support 64l-0.3l "optional Parts"
8-48	104211-34150	Pipe, Lub. Oil Connecting 12d-20l "optional Parts"
8-49	25557-060162	Screw M6-16 "optional Parts"
8-50	24311-000090	O-ring 12.60d-1.9t "optional Parts"
8-51	104805-39150	Retainer, Oil Pipe 42.6l "optional Parts"
8-52	104605-39140	Retainer, Air Pipe 39l "optional Parts"

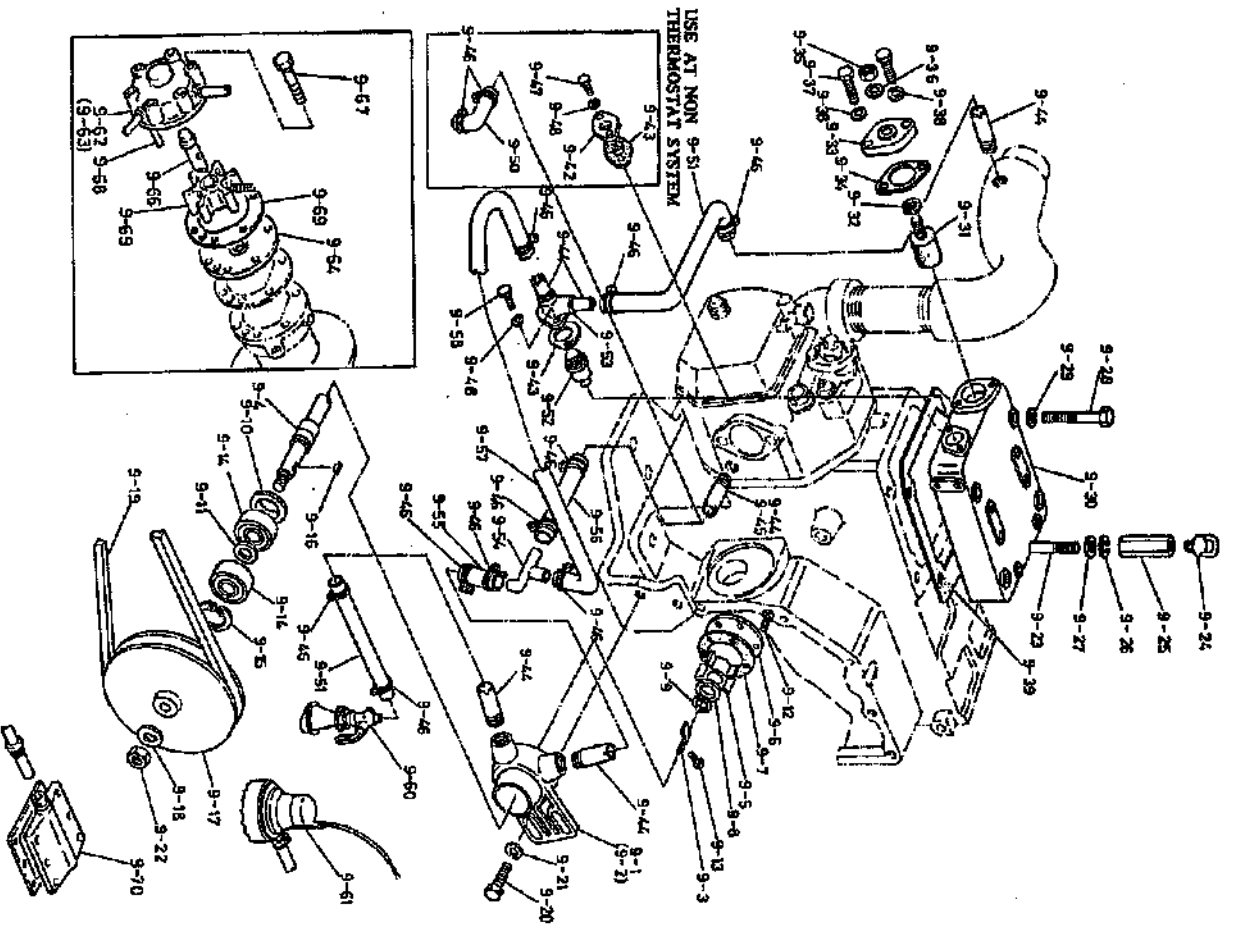
COOLING WATER SYSTEM

Désignation

N° Réf.	N° Piece	Désignation
9-1	704211-42700	C.W. Pump Assy
9-2	704211-42700	Body, Pump 90L-62W
9-3	104211-42050	Plate, Water Shield 30L-19W
9-4	104211-42050	Shaft, Pump 15d-78l
9-5	104211-42070	Impeller, Pump 38.7d-19W
9-6	104211-42080	Cover, Pump 58d-2.3t
9-7	104211-42090	Packing, Pump Cover 58d-0.3t
9-8	104211-42100	Seal 25od-17w
9-9	104211-42110	Plate, Water Shield 18od-2t
9-10	104211-42120	Cover, Bearing 30od-1t
9-11	104211-42130	Washer, Bearing 16od-1t
9-12	26554-040082	Screw, Pump Cover M4-8
9-13	26554-040062	Screw, Water Shield Plate M4-6
9-14	24107-062004	Bearing 30od-9w
9-15	22252-000300	Circclip 32-1t-1.2t
9-16	22522-030100	Key 3w-9.6t
9-17	104211-42300	Rulley, Colling Water Pump 120d-21.5w
9-18	104211-42380	Washer 24od-0.85t
9-19	104214-42780	V-belt Circuit 762
9-19	104514-42780	V-belt Circuit 838
9-19	104211-42780	V-belt Circuit 533
9-20	26117-080202	Bolt, Water Pump Body M8-25.5
9-21	22137-080000	Washer, Water Pump Body 18od-1.6t
9-22	26717-089002	Nut, Pulley M8
9-23	26216-100702	Stud, Eng. Lifting M10-85l
9-23	26216-129802	Stud, Eng. Lifting M12-98l
9-24	26617-100002	Eye Bolt 59.5t
9-25	26617-120002	Eye Bolt 79l
9-25	104407-079180	Nut, Eye Bolt 19.5od-60l
9-26	104507-07980	Nut, Eye Bolt 21.5od-63.5t
9-28	22217-100000	Spring Washer 18.4od
9-28	22217-120000	Spring Washer 21.5od
9-27	22137-100000	Washer 22od-1.6t
9-28	22137-120000	Washer 26od-2.3t
9-28	26117-080652	Bolt, Cyl. Upper Cover M8-65
9-28	26117-100752	Bolt, Cyl. Upper Cover M10-75
9-29	22217-080000	Spring Washer 18.4od-2t
9-29	22217-100000	Spring Washer 21.5od-2.5t
9-30	704211-01651	Upper Cover Assy Cyl. 122w-17.4l
9-30	704511-01851	Upper Cover Assy Cyl. 153w-20.8l
9-31	104211-41300	Zinc, Anticorrosive 30d-60l
9-32	123210-09310	Packing, Zinc 18od-1.5t
9-34	101720-41810	Flange, Zinc 68l-8t
9-34	101720-41820	Packing, Flange 64l-1t
9-35	26717-080002	Nut, Zinc M8
9-36	22217-080000	Spring Washer 15.4od-2t
9-37	26113-0680182	Bolt, Flange M6-16
9-38	22217-060000	Spring Washer, Flange 12.2od-1.5t
9-39	104200-44050	Packing, Cyl. Upper Cover 119w-120l
9-39	104500-44050	Packing, Cyl. Upper Cover 134w-148l



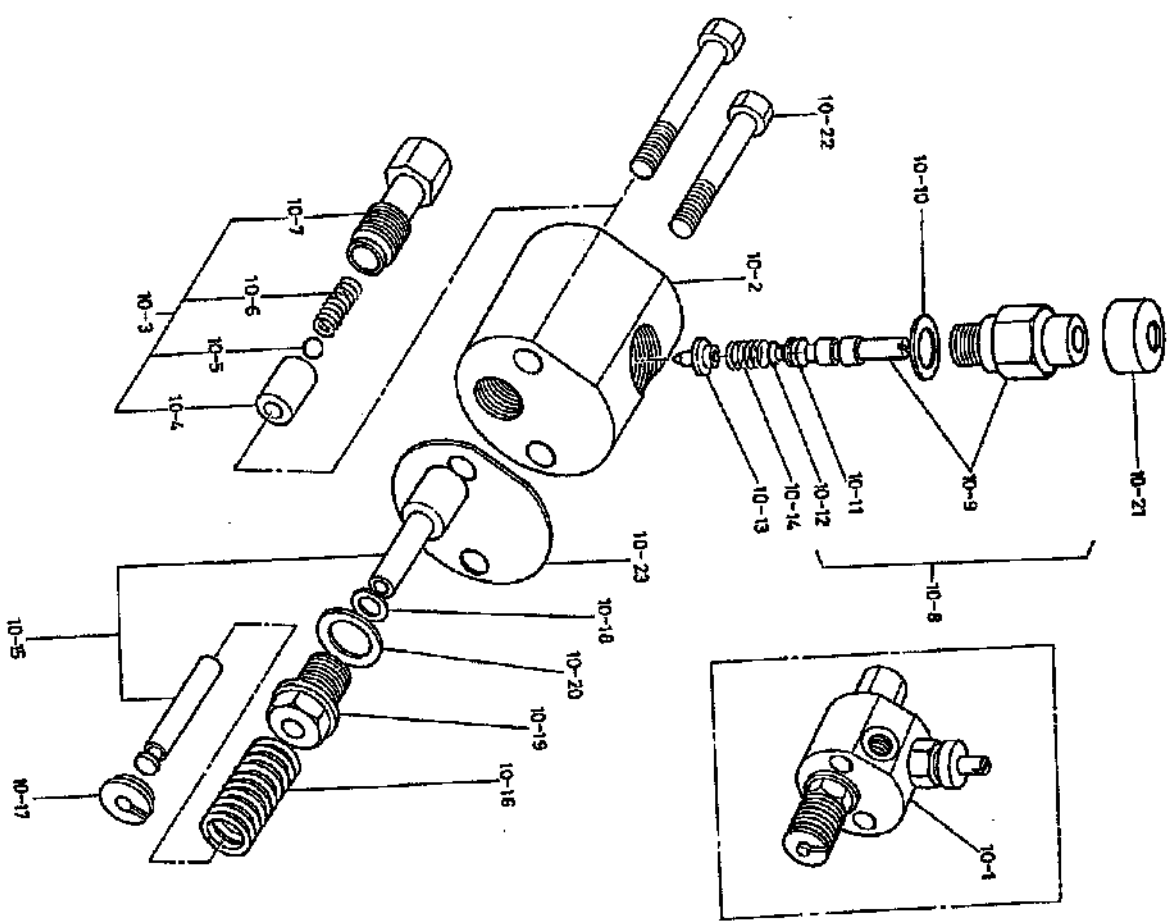
N° cliché  
FIG. 9



Titre du cliché:  
COOLING WATER SYSTEM

N° Réf.	N° Pièce	Désignation
9-40	104211-42150	Fittings, Water Pump 56L-50, 5W
9-41	26717-080002	Nut, Mounting M8
9-42	104211-49150	Flange, Water Outlet 56L-10R
9-43	104211-49160	Packing, Flange 56L-0, 5L
9-44	104211-49060	Joint, Water Pipe P11/4-32l
9-45	104211-49060	Joint, Water Pipe P11/4-32l
9-46	104511-48060	Joint, Water Pipe (head) P13/8-38l
9-46	104211-49140	Band, Water Pipe 30l
9-47	28117-080189	Band, Water Pipe 30l
9-48	22217-060000	Bolt, Flange M6-18
9-49	104211-49050	Spring Washer 12,20d-1, 5t
9-50	104211-49250	Pipe (water Pump-cyl. Head) 750l
9-51	104211-49080	Pipe (water Pump-cyl. Head) 100l
9-51	704214-49200	Pipe (Kingston Cock-water Pump) 2000l
9-52	(181130-49200)	Thermostat System Assy, Cooling Water "optional Parts"
9-52	124223-49200	Thermostat 27,3d-33l "optional Parts"
9-53	104214-49150	Cover, Thermostat 56L-25W "optional Parts"
9-44	104211-49080	Joint, Water Pipe P11/4-32l "optional Parts"
9-45	104511-49080	Joint, Water Pipe P13/8-38l "optional Parts"
9-54	104214-49090	Joint, 3-ways 57l-49W "optional Parts"
9-55	104214-49100	Pipe (water Pump-3 Way Joint) 45l "optional Parts"
9-56	104214-49110	Pipe (3 Ways Joint-cyl. Head) 80l "optional Parts"
9-57	104214-49120	Pipe (3 Ways Joint-thromostat) 500l "optional Parts"
9-51	104211-49080	Pipe (thermostat-silencer) 2000l "optional Parts"
9-51	104211-49080	Pipe (Kingston Cock-water Pump) 2000l "optional Parts"
9-46	104211-49140	Band, Water Pipe 30l "optional Parts"
9-58	26117-060289	Bolt, Thermostat Cover M6-26 "optional Parts"
9-59	22217-060000	Spring Washer 12,20d-1, 5t "optional Parts"
9-59	704214-49500	Kingston Cock Assy "optional Parts"
9-60	43662-010020	Kingston Cock 141l "optional Parts"
9-51	43662-010020	Pipe (Kingston Cock-water Pump) 2000l "optional Parts"
9-46	43662-010020	Band, Water Pipe 30l "optional Parts"
9-61	97778-100120	Blige Pump, Electric Drive 1100-140l "optional Parts"
9-61	46130-001111	Blige Pump, Electric Drive 1100-140l "optional Parts"
9-62	104214-46000	Blige Pump Assy "optional Parts"
9-63	104214-46810	Body, Blige Pump "optional Parts"
9-64	104214-46820	Wear Plate "optional Parts"
9-65	104214-46830	Impeller "optional Parts"
9-66	104214-46840	Shaft, Impeller "optional Parts"
9-67	26557-040382	Screw M4-38 "optional Parts"
9-68	22312-030140	Parallel Pin 3-14 "optional Parts"
9-69	104211-42090	Packing, Blige Pump "optional Parts"
9-70	123220-46910	Strainer, Blige "optional Parts"

N° cliché  
FIG.10

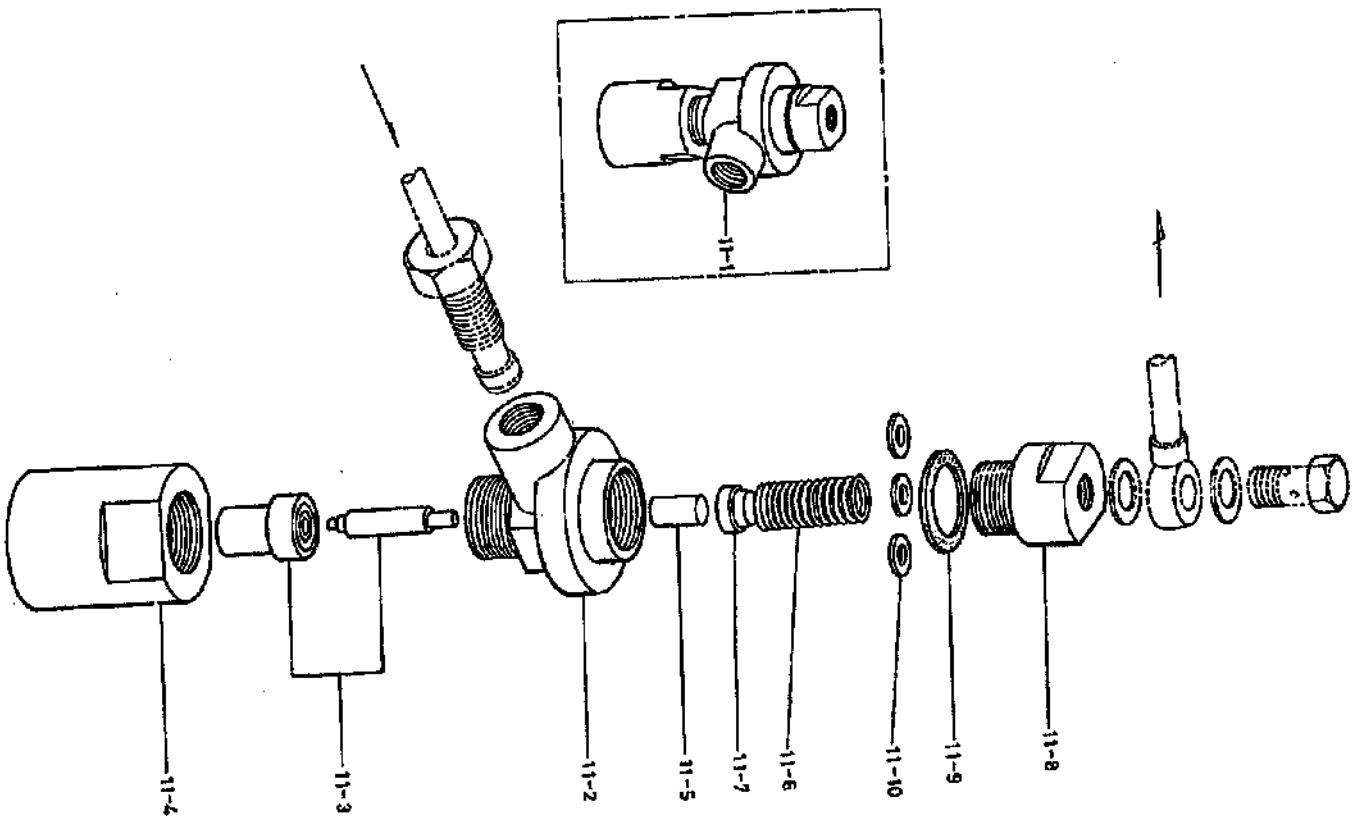


Titre du cliché:  
FUEL INJECTION PUMP

N° Réf.	N° Pièces	Designation
10-1	704200-51700	F.I. Pump Assy
10-1	704500-51700	F.I. Pump Assy
10-2	101158-51010	Body, Fuel Injection Pump 53d-40w
10-3	101300-51300	Delivery Valve
10-4	101300-51300	• Seat, Delivery Valve 12d-17i
10-5	101300-51300	• Ball Valve 7/32" d
10-6	101300-51330	• Spring, Delivery Valve 5.6od-13.4i
10-7	172100-51340	Holder, Delivery Valve 18d-33i
10-8	704200-51550	Regulator Assy 55i
10-9	704200-51550	• Regulator Body W/spline
10-10	174100-51440	• Packing, Regulator Body 15.4od-11i
10-11	104200-51450	• Spacer, Regulator 11.2d-16i
10-12	104200-51460	• O-ring, Regulator 11.3od-1.9i
10-13	171590-51430	Valve, Regulator 8d-14i
10-14	104200-51420	Spring, Regulator Valve 6.9od-15i
10-15	102700-51100	Plunger W/barrel 5.5/15.5d-47.3i
10-16	101400-51160	Plunger W/barrel 7/15.5d-47.3i
10-17	102501-51170	Spring, Plunger 20.6od-27.5i
10-18	172100-51190	Washer, Plunger Spring 20d-3.5i
10-19	172100-51150	Washer, Plunger Spring 20d-3.5i
10-20	172100-51290	Packing, Plunger Barrel 15.5od-0.5i
10-21	101104-66300	Packing, Plunger Barrel 23d-1.5i
10-22	104200-54090	Screw, Plunger Barrel 23d-1.5i
10-23	174100-51030	Packing, Barrel Screw 23od-2.5i
10-23	(101158-51030)	Cap, Dust 20.4d-7.5w

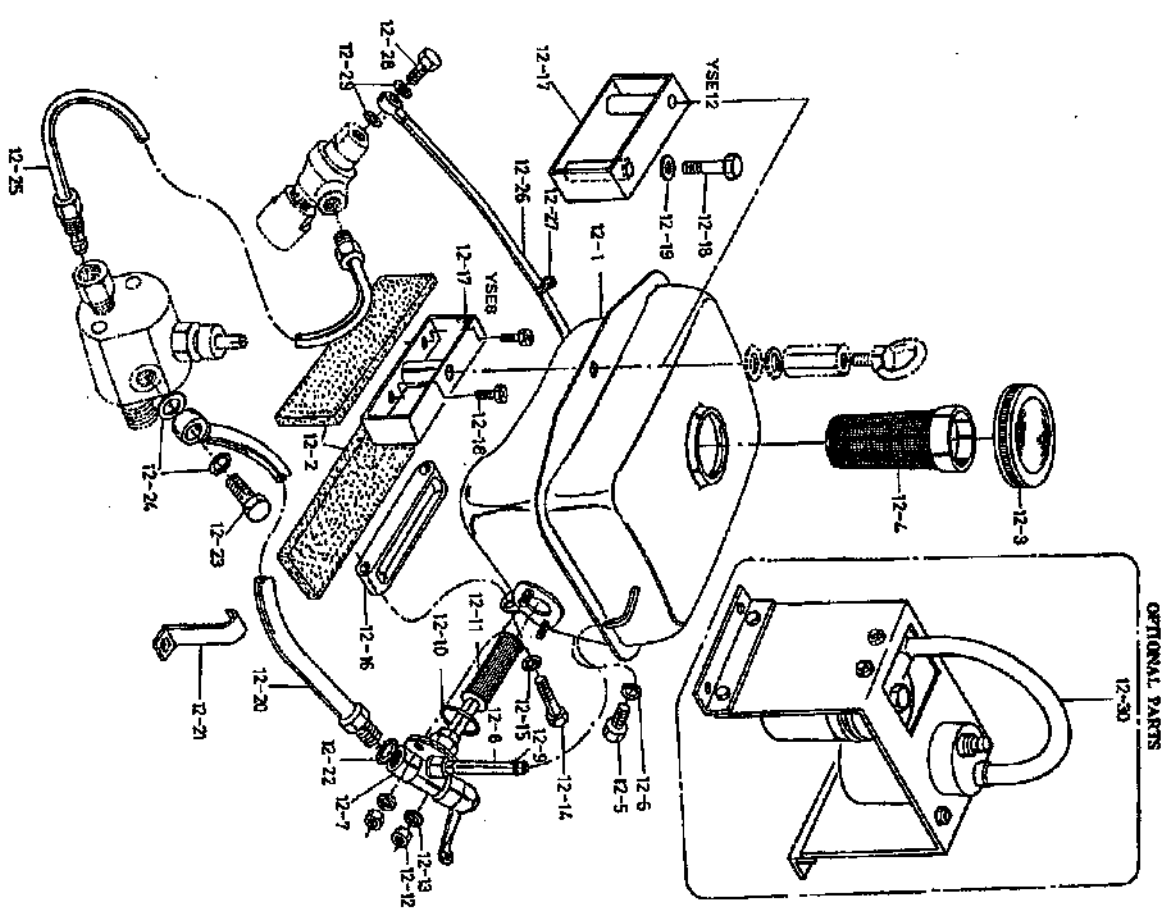


N° cliché  
FIG.11

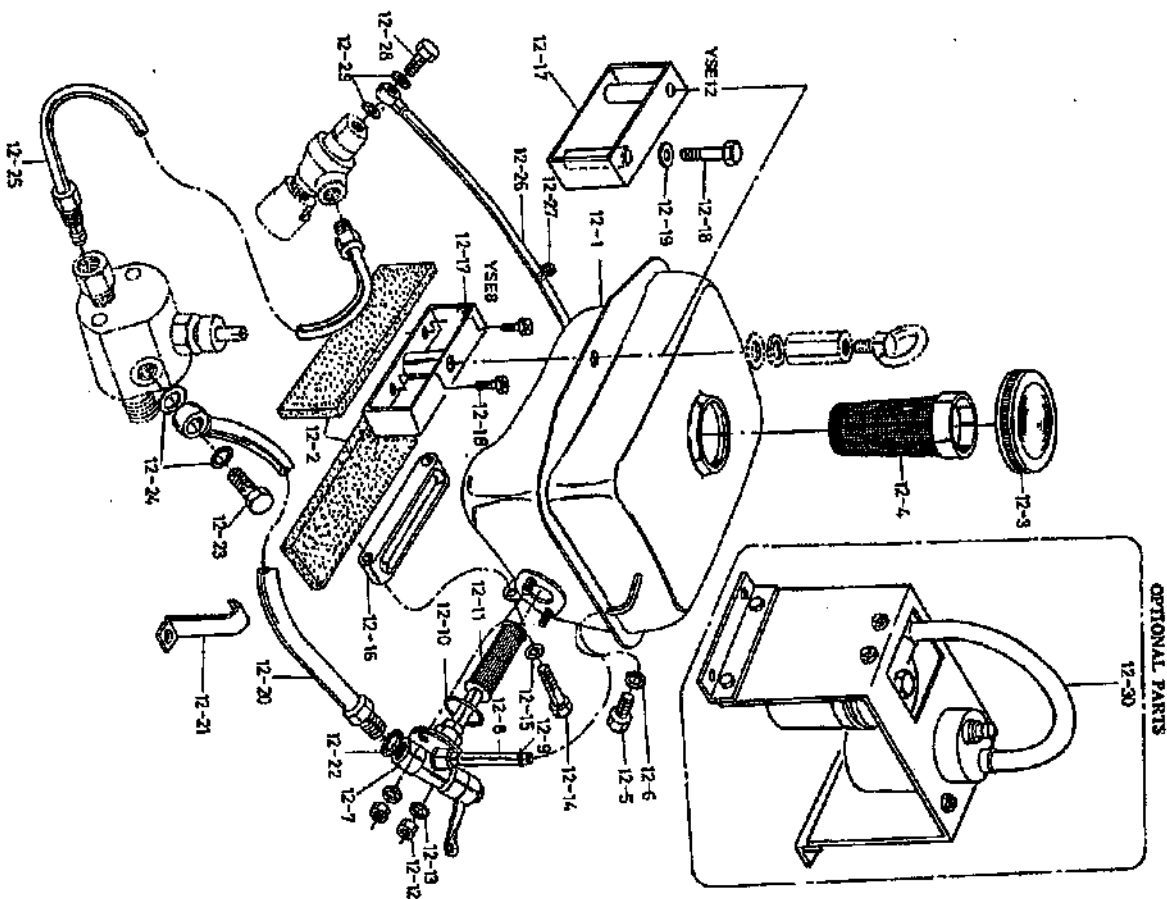


Titre du cliché.  
FUEL INJECTION VALVE

N° Réf.	N° Pièce	Désignation
11-1	704211-53100	F.I. Valve Assy
11-1	704511-53100	F.I. Valve Assy
11-2	103854-53100	Body, Fuel Injection Valve 481-33.5W
11-3	172100-53000	Valve W/case 17d-33.7l
11-4	104200-53080	Holder, Fuel Injection Valve 29d-38.5l
11-4	104500-53080	Holder, Fuel Injection Valve 32d-38l
11-4	113200-53110	Spindle 5d-10.5l
11-5	113200-53110	Spring, Valve 10.5od-30l
11-6	104211-53120	Holder, Valve Spring 11d-6w
11-7	113200-53120	Case, Valve Spring 22d-20w
11-8	103854-53180	Packing, Valve Spring Case 22od-0.5l
11-9	172100-53200	Shim Set, Valve Spring 11.5od-0.1, 0.2, 0.3, 0.5t
11-10	110250-53150	



N° Réf.	N° Pièce	Désignation
12-1	704211-55700	Fuel Tank Assy 2904-230W
12-1	704511-55700	Fuel Tank Assy 3204-274W
12-2	103854-55200	Fell, Fuel Tank 1204-25W
12-3	101504-55071	Cover, Fuel Tank 84d-29 7W
12-4	101504-55101	Strainer, Fuel Tank Inlet 56d-1051
12-5	104200-55080	Drain Plug 12sd-2210a
12-6	23414-120000	Packing, Drain Plug 16od-1t
12-7	704211-55200	Cock Assy, Fuel Tank 64l
12-8	104511-55160	Level Gauge, Fuel Tank 64l
12-9	103854-55220	• Clamp, Level Gauge 8, 6od-1, 6l
12-10	24311-000320	O-ring, Cook 36; 7od-3, 5l
12-11	104300-55790	Strainer, Fuel Tank Outlet 29d-130l
12-11	104500-55790	Strainer, Fuel Tank Outlet 29d-170l
12-12	26717-060002	Nut, Cook M6
12-13	22217-060000	Spring Washer, Cook 12, 3od
12-14	26717-0600352	Bolt, Fuel Tank Setting M8-35
12-14	26717-0600402	Bolt, Fuel Tank Setting M8-40
12-15	22137-080000	Washer 18od-1, 6t
12-16	104200-55240	Mount, Fuel Tank 118l-22w
12-16	104500-55240	Mount, Fuel Tank 128l-25w
12-17	104211-55850	Support, Fuel Tank 49, 5h-132l
12-17	104511-55850	Support, Fuel Tank 54h-139l
12-18	26717-060109	Bolt, Fuel Tank Support M6-10
12-18	26717-060652	Bolt, Fuel Tank Support M8-65
12-18	22137-080000	Washer, Fuel Tank Support 18od-1, 6t
12-19	104211-59070	Fuel Oil Pipe 350l
12-20	104511-59070	Fuel Oil Pipe 385l
12-21	104100-59920	Piece, Fuel Oil Pipe Setting 65l-14w
12-22	172200-01650	Packing, Fuel Oil Pipe Inlet 16, 5od-2x
12-23	103854-39140	Bolt, Pipe Joint 12sd-32l
12-24	104200-59170	Packing, Joint Bolt 18od-2x
12-25	104200-59800	Fuel Injection Pipe 265l
12-25	104511-59800	Fuel Injection Pipe 350l
12-26	103854-59140	F.o. Overflow Pipe 540l
12-27	104200-59410	Clamp, Overflow Pipe 12, 5od
12-28	101147-59810	Bolt, Pipe Joint 8sd-2310a
12-29	23414-080000	Packing 12od-1t
12-29	704214-52500	Fuel Feed Pump Assy, Electro-magnetic "optional Parts"
12-30	101720-52200	Fuel Feed Pump 130l-102w "optional Parts"
12-30	101721-52210	Joint, Union 19, 8sd-32l "optional Parts"
12-30	101721-52210	Packing 14od-1t "optional Parts"
12-30	23414-100000	Mount, Pump & Strainer 130w-165l "optional Parts"
12-30	104214-52100	Strainer Assy, Fuel "optional Parts"
12-30	104214-55600	Strainer Assy, Fuel "optional Parts"
12-30	703338-55500	Body Fuel Strainer 66d-35w "optional Parts"
12-30	703338-55500	Strainer 34, 2d 63l "optional Parts"
12-30	104800-55710	Strainer 34, 2d 63l "optional Parts"
12-30	103854-55710	Strainer 34, 2d 63l "optional Parts"
12-30	103854-55760	Spring, Strainer Keep 18, 5od-14l "optional Parts"
12-30	104214-55730	O-ring 55, 6od-3, 1t "optional Parts"
12-30	103854-55730	O-ring 55, 6od-3, 1t "optional Parts"

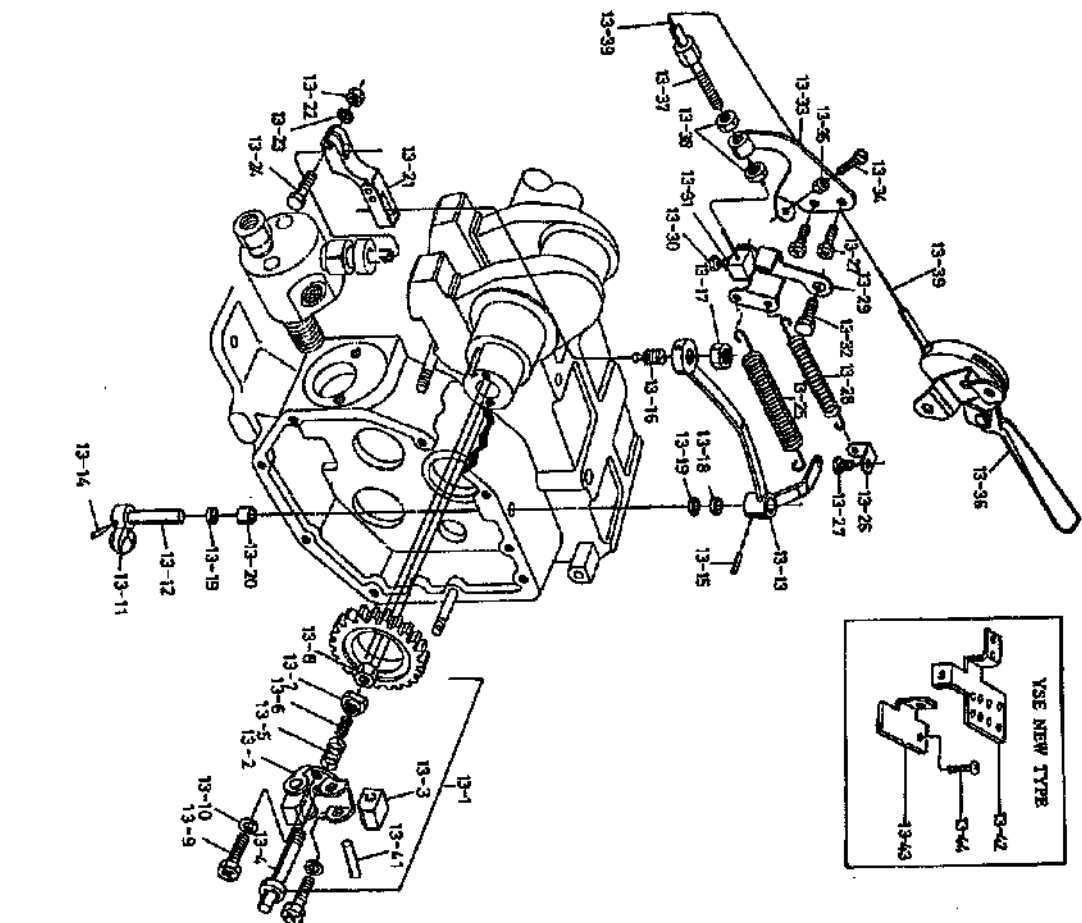


Titre du cliché.  
**FUEL OIL SYSTEM**

N° Réf.	N° Pièce
12-30	103854-55730
12-30	103854-55740
12-30	111154-51900
12-30	23414-050000
12-30	104214-52110
12-30	104214-59200
12-30	23010-012000
12-30	104214-59250
12-30	23857-060000
12-30	23414-120000
12-30	26117-090202
12-30	26717-080002
12-30	22217-080000
12-30	26117-060129
12-30	22217-060000
12-30	22747-580250

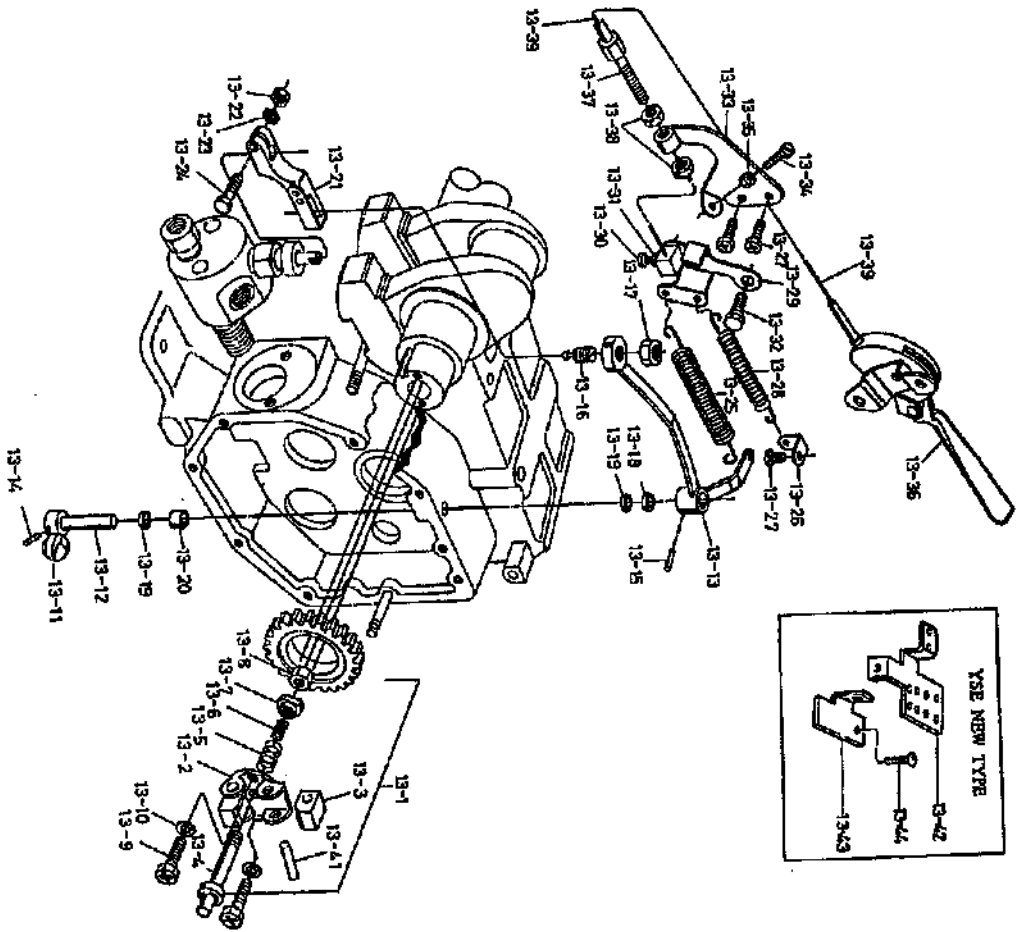
**Désignation**

- Bowl, Strainer 57d-74 "optional Parts"
- Cover, Strainer Bowl 66.5d-18.5w "optional Parts"
- Plug, Air Draw Out M6-13 "optional Parts"
- Packing 120d-1t "optional Parts"
- Stay, Pump & Strainer Mount 30h-130l "optional Parts"
- Pipe, Fuel (Feed Pump-strainer) About 2000 "optional Parts"
- Pipe, Fuel (strainer-injection Pump) About 1000l "optional Parts"
- Clamp, Fuel Pipe 22w-21l "optional Parts"
- Bolt, Pipe Joint 19.6d-28l0a "optional Parts"
- Packing 160d-1t "optional Parts"
- Bolt, Feed Pump M8-20 "optional Parts"
- Nut, Feed Pump M8 "optional Parts"
- Spring Washer, Feed Pump 15.4od-2 "optional Parts"
- Bolt, Strainer & Stay M6-12 "optional Parts"
- Spring Washer, Stay 12.2od-1.5t "optional Parts"
- Screw, Mount 10.7d-29ka "optional Parts"

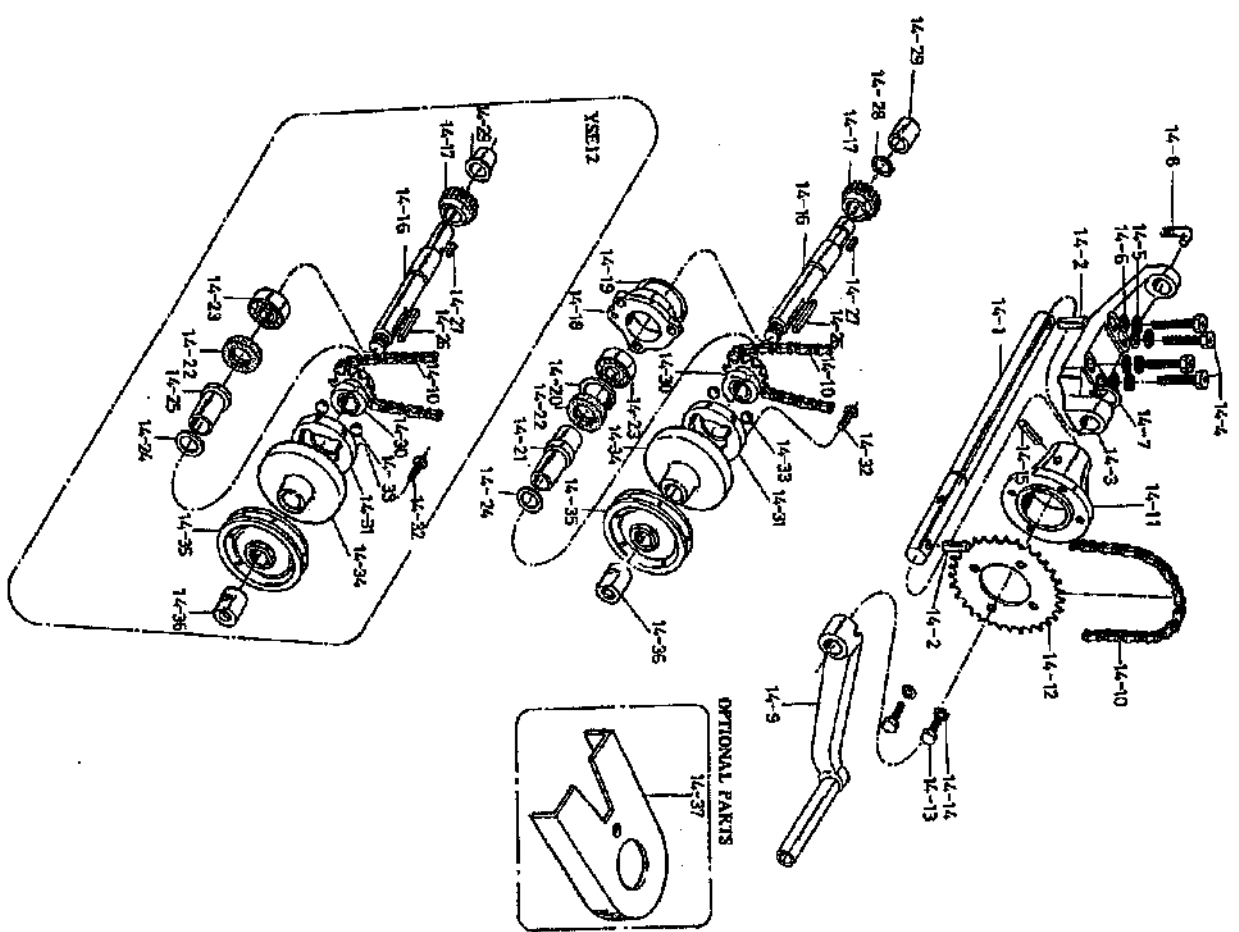


N° Réf.	N° pièce	Désignation
13-1	704211-61700	Governor Assy
13-1	704511-61700	Governor Assy
13-2	704511-61700	Support, Governor
13-2	704511-61700	Support, Governor
13-3	704511-61700	Weight, Governor
13-4	704511-61700	Pin, Weight
13-4	104211-61300	Spline, Governor 17d-78l
13-5	104211-61360	Spring, Governor 14.8od-23l
13-5	104511-61360	Spring, Governor 14.4od-23l
13-6	104211-61370	Spring, Governor Inner 8.8od-12.5l
13-7	104211-61340	Support, Governor Spring 1.4d-9w
13-8	26757-090002	Nut, Governor M6
13-9	26450-060182	Bolt, Support M6-18
13-10	22217-060000	Spring Washer, Support 12.2od-1.5t
13-10	704211-61500	Governor Lever Assy
13-10	704511-61500	Governor Lever Assy
13-11	704511-61500	First Lever, Governor 36w-77l
13-11	704511-61500	First Lever, Governor 42w-87l
13-11	704511-61500	Shaft, Lever 7d-53l
13-12	704511-61500	Second Lever, Governor 11.4l
13-13	704511-61500	Second Lever, Governor 14.5l
13-14	704511-61500	Taper Pin, First Lever 3d-16l
13-14	704511-61500	Taper Pin, Second Lever 3d-22l
13-15	22322-030220	Screw, Injection Pump Connect 10sd-24loa
13-16	104100-66360	Screw, Injection Pump Connect 10sd-24loa
13-16	(101104-66360)	Nut, Connect Screw M10
13-17	26777-100002	Dust Cap 1.4d-2.5t
13-18	104211-61540	Needle Bearing 11od-9w
13-19	104211-61520	Spacer, Bearing 11od-10w
13-20	104211-61530	F.I. Pump Lever 74l
13-21	104500-66230	F.I. Pump Lever 66l
13-22	26757-060002	Nut, Lever M6
13-23	22217-060000	Spring Washer, Lever 12.2od-1.5t
13-24	26117-060209	Bolt, Lever M6-20
13-24	104211-669010	Spring, Regulator 128l
13-25	104511-66010	Spring, Regulator 167l
13-26	101204-67330	Fittings, Regulator Return Spring 13w-16h
13-27	26117-060109	Bolt, Return Spring Piece & Wire Support M6-10
13-28	103684-67300	Spring, Regulator Return 59l
13-29	104211-66100	Regulator Handle 60i-2.6t
13-30	26113-050128	Bolt M5-12
13-31	26753-050002	Nut M5
13-32	104211-66040	Shaft, Regulator Handle 6ed-16.8loa
13-33	104211-67100	Support, Outer Wire 65l
13-34	26117-050208	Bolt M5-20
13-35	26757-050002	Nut M5
13-36	104211-67190	Accel Lever 173l
13-37	101720-67750	Bolt, Outer Wire Adjust 9.2d-44loa
13-38	26757-060002	Nut, Adjust Bolt M6
13-39	104211-67710	Wire (1.5 M) 1650l

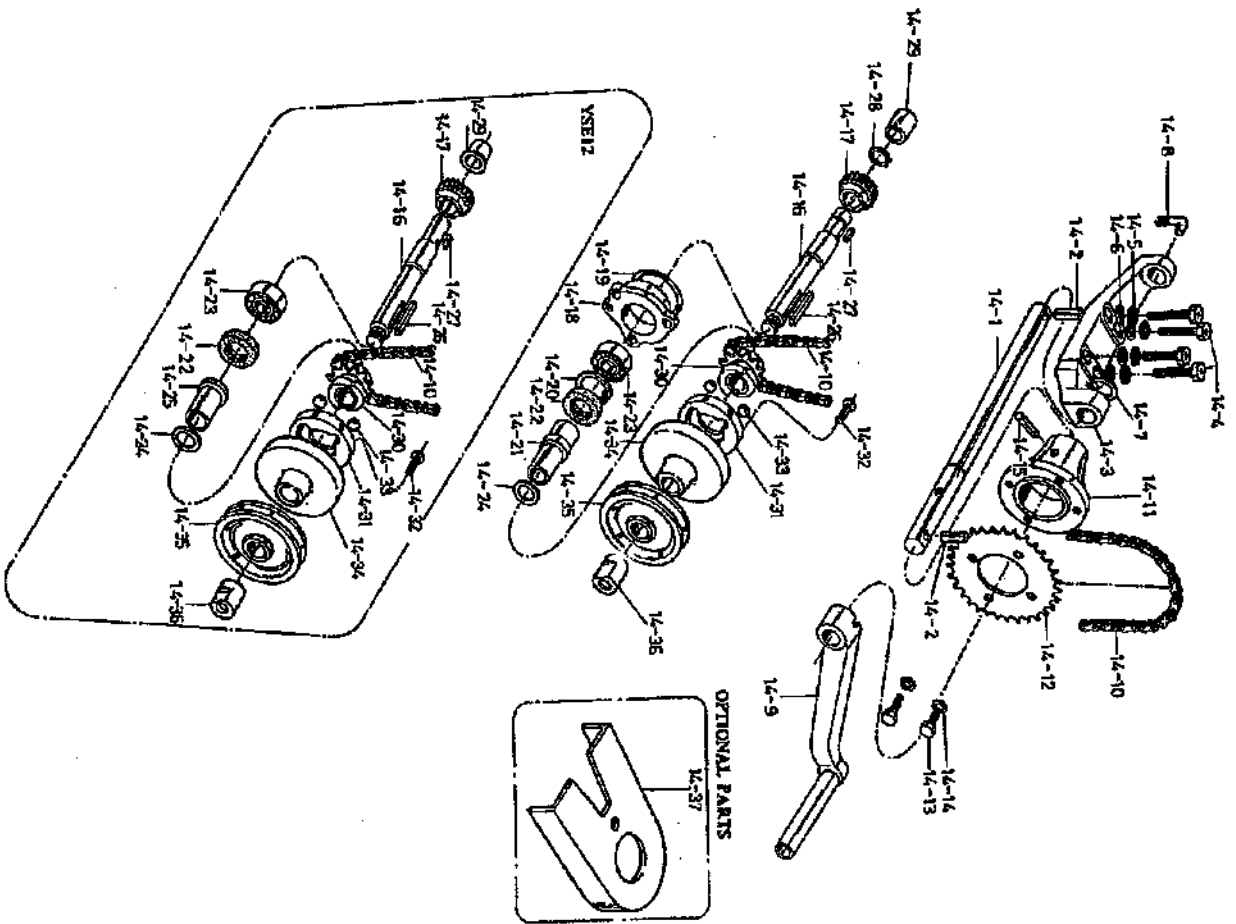
Titre du cliché  
**GOVERNOR DEVICE**



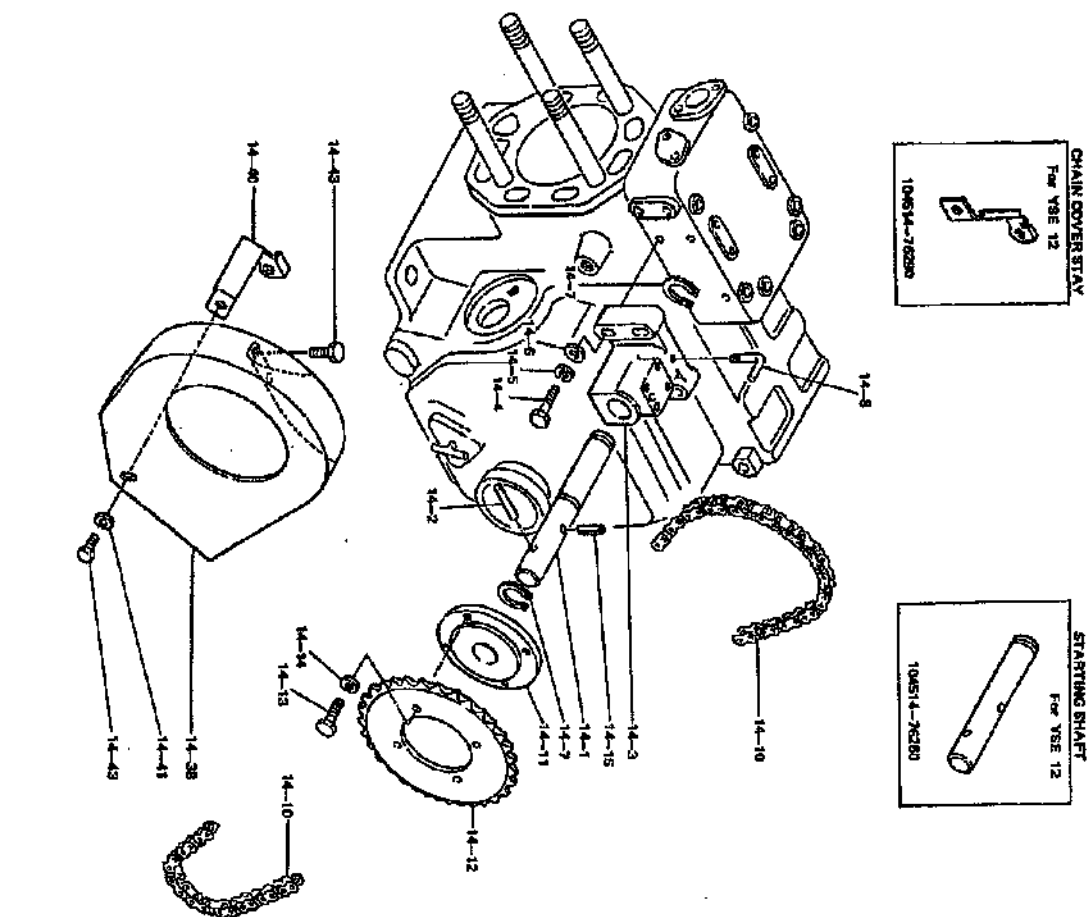
N° Réf.	N° Pièce	Désignation
13-39	104214-67710	Wire (3 M) 30601 "optional Parts"
13-25	104214-66010	Spring, Regulator 1191 "ysex Parts"
13-25	104514-66010	Spring, Regulator 1801 "ysex Parts"
13-29	104214-66100	Regulator Handle "ysex Parts"
13-39	104214-67150	Wire (optional Parts) 27301 "ysex Parts"
13-42	104214-67100	Bracket, Wire "ysex Parts"
13-43	104214-67110	Fittings, Wire (optional Parts) 391x19 "ysex Parts"
13-44	26557-050102	Bolt M5-10 "ysex Parts"



N° Réf.	N° Pièce	Désignation
14-1	704211-76900	Starting Shaft Assy 20d-420I
14-1	704511-76900	Starting Shaft Assy 20d-434I
14-2	101400-76480	Pin, Starting Shaft 9d-36I
14-3	104211-76121	Support, Starting Shaft 272I
14-3	104511-76121	Support, Starting Shaft 286I
14-4	28117-080402	Boil, Support MB-40
14-4	22217-080000	Spring Washer 15.40d-2I
14-5	22137-080000	Washer 180d-1.6I
14-7	22242-000200	Circlip, Starting Shaft 25.11-1.2I
14-8	104211-76150	Stopper, Starting Shaft 33I-33W
14-9	104211-76790	Starting Handle 150I
14-9	104511-76790	Starting Handle 150I
14-10	25210-430730	Roller Chain 43-73
14-10	25210-430820	Roller Chain 43-82
14-11	102210-76190	Mount, Sprocket Wheel 90d-70W
14-12	101221-76010	Wheel, Sprocket 157d-3.1I
14-13	28117-060142	Boil, Wheel MB-14
14-14	22217-080000	Spring Washer 12.20d-1.5I
14-15	22222-070400	Taper Pin, Mount Set 7d-40I
14-16	104211-76610	Shaft, Power Take-off 26d-194.5I
14-16	104511-76610	Shaft, Power Take-off 35d-190I
14-17	104211-76620	Gear, Drive 50d-26W
14-17	104511-76620	Gear, Drive 65d-19W
14-18	104211-76650	Support, P.I.o. Shaft 79I-33W
14-19	104211-76660	O-ring, Support 58.50d-2I
14-20	104211-76630	Circlip, Bearing 45.5-1.75I
14-21	104211-76670	Holder, Bearing 350d-44I
14-22	104211-76680	Seal 420d-8I
14-23	24101-080044	Bearing 420d-12W
14-24	104211-76070	Bearing 550d-13W
14-24	104511-76070	Washer, Thrust 360d-1I
14-25	104511-76670	Washer, Thrust 400d-1I
14-26	22512-050340	Retainer 380d-28.5W
14-26	22512-070320	Key, Driving Pulley 5W-34I
14-27	22512-050200	Key, Driving Pulley 7W-32I
14-27	22512-070160	Key, P.I.o. Gear 5W-20I
14-28	22242-000200	Key, P.I.o. Gear 7W-16I
14-29	104211-76640	Circlip, P.I.o. Shaft 24.11-1.2I
14-29	104511-76640	Bush, P.I.o. Shaft 230d-16W
14-30	104211-76021	Bush, P.I.o. Shaft 350d-19W
14-30	104511-76021	Wheel, Pinion Sprocket 64d-25W
14-31	104211-76081	Wheel, Pinion Sprocket 68d-25W
14-31	104211-76082	Ring, Outer 740d-8I
14-32	26557-060162	Ring, Outer 740d-8I
14-33	24190-080001	Screw M6-16
14-33	24190-090001	Steel Ball 1/4"D
14-34	104214-76090	Retainer, Outer Ring 82d-29W
14-34	104514-76090	Retainer, Outer Ring 82d-29W
14-35	104214-76960	Pulley, Generator & C.W. Pump Driving 90d-37W

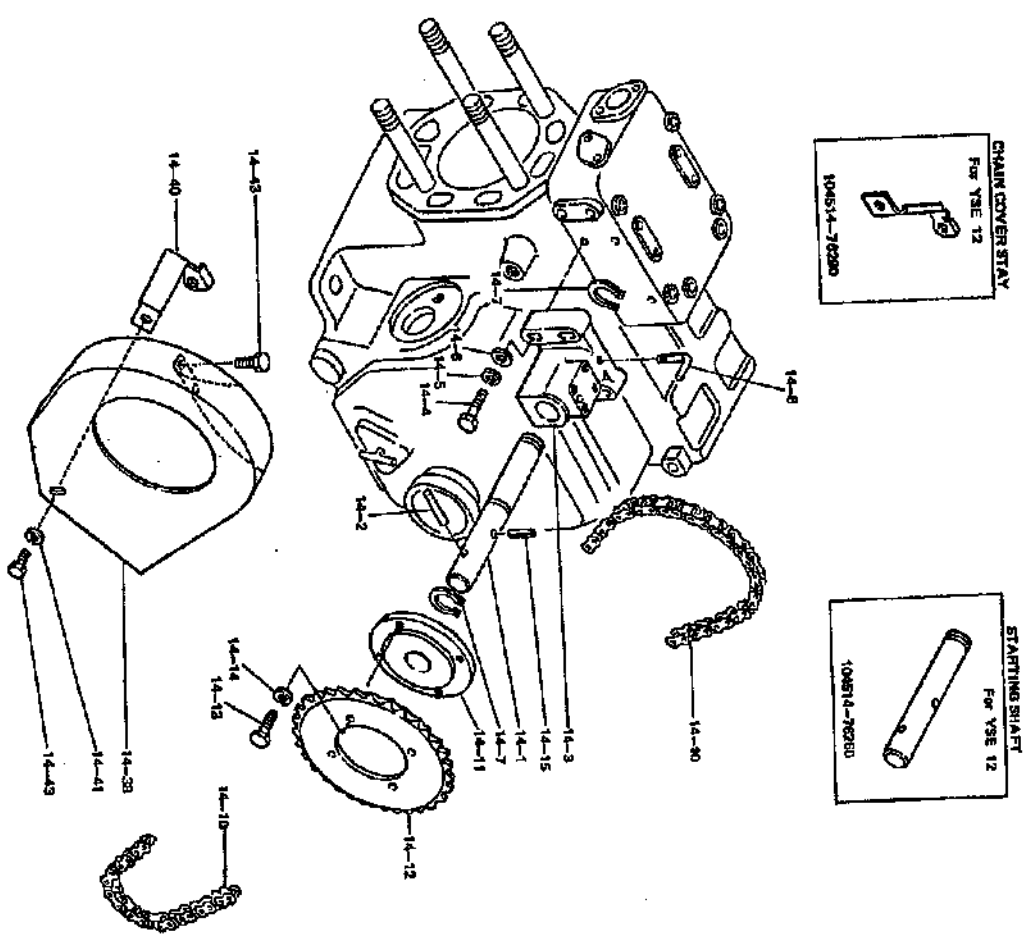


N° Réf.	N° Pièce	Désignation
14-35	104514-76960	Pulley, Generator & C.w. Pump Driving 110g-37w
14-36	104214-76600	Nut, Pulley 32d-15w
14-37	704214-76170	Chain Cover Assy "optional Parts"
14-37	704514-76170	Chain Cover Assy "optional Parts"
14-37	104214-76170	Cover, Chain 24d-31h "optional Parts"
14-37	104214-76200	Bolt, Chain Cover Support 15d-11.5 S1 "optional Parts"
14-37	104514-76200	Bolt, Chain Cover Support 15d-98l "optional Parts"
14-37	104214-76220	Slay, Cover 64w-84l "optional Parts"
14-37	22117-0890000	Washer 16od-1.2t "optional Parts"
14-37	26717-0890002	Nut M8 "optional Parts"
14-37	26117-0600082	Bolt M6-8 "optional Parts"

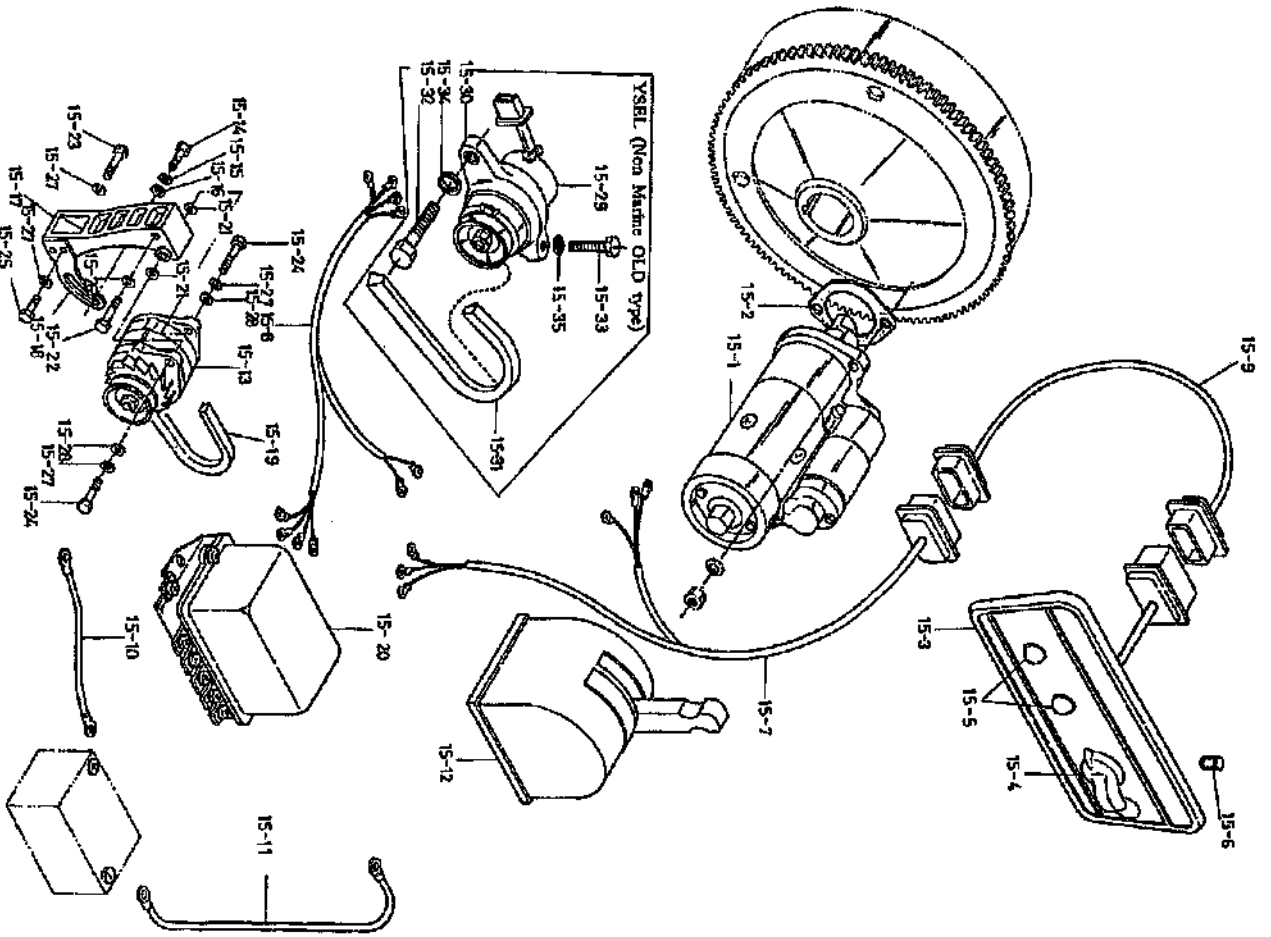


N° Réf.	N° Pièce	Designation
8-23	22137-089000	Washer 11.5od-0.5t
9-23	26216-100702	Silud, Eng. Lifting M10-85l
9-23	26216-120802	Stud, Eng. Lifting M12-98l
9-25	104407-07980	Nut, Eye Bolt 19.5od-60l
9-25	104507-07980	Nut, Eye Bolt 21.5od-63.5l
9-26	22217-100000	Spring Washer 18.4od
9-26	22217-120000	Spring Washer 21.5od
9-27	22137-100000	Washer 22od-1.6t
9-27	22137-120000	Washer 26od-2.3t
12-1	704211-55700	Fuel Tank Assy 280l-250W
12-1	704511-55700	Fuel Tank Assy 320l-274W
12-2	103854-55200	Felt, Fuel Tank 120l-25W
12-3	101504-55071	Cover, Fuel Tank 84d-29.7W
12-4	101504-55101	Strainer, Fuel Tank Inlet 56d-105l
12-5	104200-55080	Drain Plug 12sd-220a
12-6	23414-120000	Packing, Drain Plug 16od-11
12-7	704211-55200	Cock Assy, Fuel Tank 64l
12-8	104511-55160	• Level Gauge, Fuel 7od-110l
12-9	103854-55220	• Clamp, Level Gauge 8.6od-1.6t
12-10	24311-000320	O-ring, Cock 38.7od-3.5t
12-11	104300-55790	Strainer, Fuel Tank Outlet 29d-130l
12-11	104500-55790	Strainer, Fuel Tank Outlet 29d-170l
12-12	26716-080002	Nut, Cock M6
12-13	22217-080000	Spring Washer, Cock 12.3od
12-14	26116-080352	Bolt, Fuel Tank Setting M8-35
12-14	26116-080402	Bolt, Fuel Tank Setting M8-40
12-15	22137-089000	Washer 18od-1.6t
12-16	104200-55240	Mount, Fuel Tank 118l-22w
12-16	104500-55240	Mount, Fuel Tank 128l-25w
12-17	104211-55950	Support, Fuel Tank 49.5h-132l
12-17	104511-55850	Support, Fuel Tank 54h-139l
12-18	26117-060109	Bolt, Fuel Tank Support M6-10
12-18	26116-080652	Bolt, Fuel Tank Support M8-65
12-19	22137-080000	Washer, Fuel Tank Support 18od-1.6t
12-20	104211-59070	Fuel Oil Pipe 350l
12-21	104100-59920	Fuel Oil Pipe 385l
12-22	172200-01650	Piece, Fuel Oil Pipe Setting 66l-14w
12-26	103854-59140	Packing, Fuel Oil Pipe Inlet 16.5od-2l
12-27	104200-59410	F.I. Overflow Pipe 540l
13-26	101204-67330	Clamp, Overflow Pipe 12.5od
13-26	104104-67330	Fittings, Regulator Return Spring 13w-16h
13-27	26117-060109	Fittings, Regulator Return Spring 13w-16h
13-28	103894-67300	Bolt, Return Spring Piece M6-10
13-28	104214-67300	Spring, Regulator Return 59l
14-1	704211-76900	Spring, Regulator Return 59l
14-1	704511-76900	Spring, Regulator Return 59l
14-1	704214-76900	Starting Shaft Assy (with Pin) 20d-420l
14-1	704514-76900	Starting Shaft Assy (with Pin) 20d-434l
14-1	704514-76900	(with Pin) 20d-434l

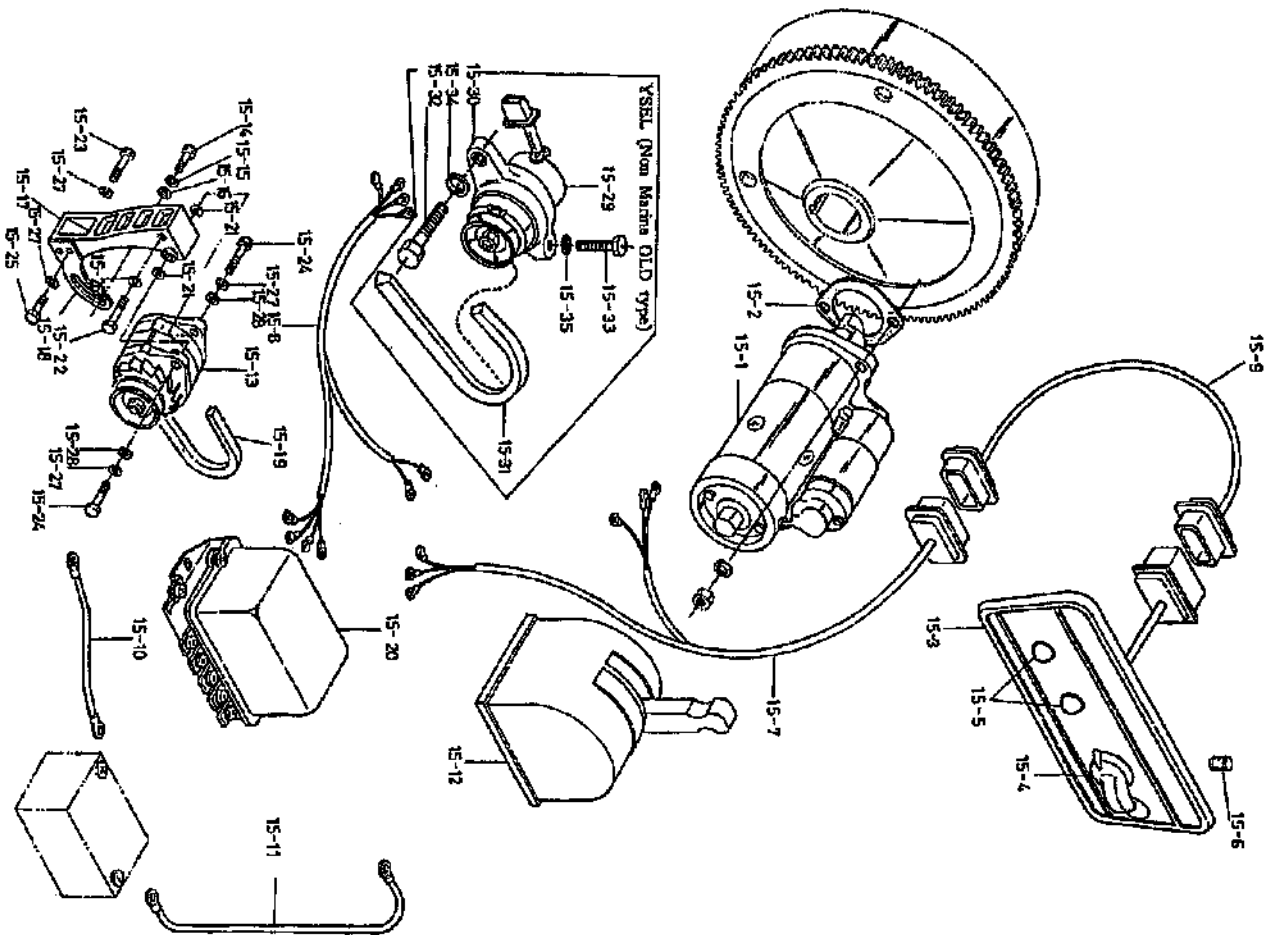




N° Réf.	N° Pièce	Désignation
14-2	101400-76490	Pin, Starting Shaft
14-2	101400-76490	Pin, Starting Shaft
14-3	104211-76121	Support, Starting Shaft 272l
14-3	104511-76121	Support, Starting Shaft 285l
14-3	104214-76280	Support, Starting Shaft 286l
14-4	26117-080429	Bolt, Support M8-42
14-4	26116-080352	Bolt, Support M8-42
14-4	22242-000200	Circclip, Starting Shaft 25.11-1.2l
14-7	22242-000200	Circclip, Starting Shaft 25.11-1.2l
14-10	25210-430730	Roller Chain 43-73
14-10	25210-430820	Roller Chain 43-82
14-10	25210-430600	Roller Chain 43-82
14-10	25210-430690	Roller Chain 43-82
14-11	102210-76190	Mount, Sprocket Wheel 90d-70w
14-11	104214-76270	Mount, Sprocket Wheel 90d-70w
14-15	22322-070400	Tapet Pin, Mount Set 7d-40l
14-15	22351-080032	Spring Pin 8d-32l
14-38	104214-76170	Cover, Chain 240l-31h
14-38	104214-76280	Cover, Chain 240l-31h
14-39	104214-76200	Bolt, Chain Cover Support 15d-115.5l
14-39	104514-76200	Bolt, Chain Cover Support 15d-98l
14-40	104214-76220	Stay, Cover 64w-84l
14-40	104214-76290	Stay, Cover 64w-84l
14-40	104514-76290	Stay, Cover 64w-84l
14-41	22117-080000	Washer 16od-1.2t
14-41	22137-060000	Washer 16od-1.2t
14-42	26716-080002	Nut M8
14-43	26116-060082	Nut M8
14-43	26117-080109	Bolt M6-8
14-5	22217-080000	Spring Washer No Change Parts
14-6	22137-080000	Washer No Change Parts
14-8	104211-76150	Stopper, Starting Shaft No Change Parts
14-9	104211-76790	Starting Handle No Change Parts
14-9	104511-76790	Starting Handle No Change Parts
14-12	102210-76010	Wheel, Sprocket No Change Parts
14-13	26116-060142	Bolt, Wheel No Change Parts
14-14	22217-060000	Spring Washer No Change Parts

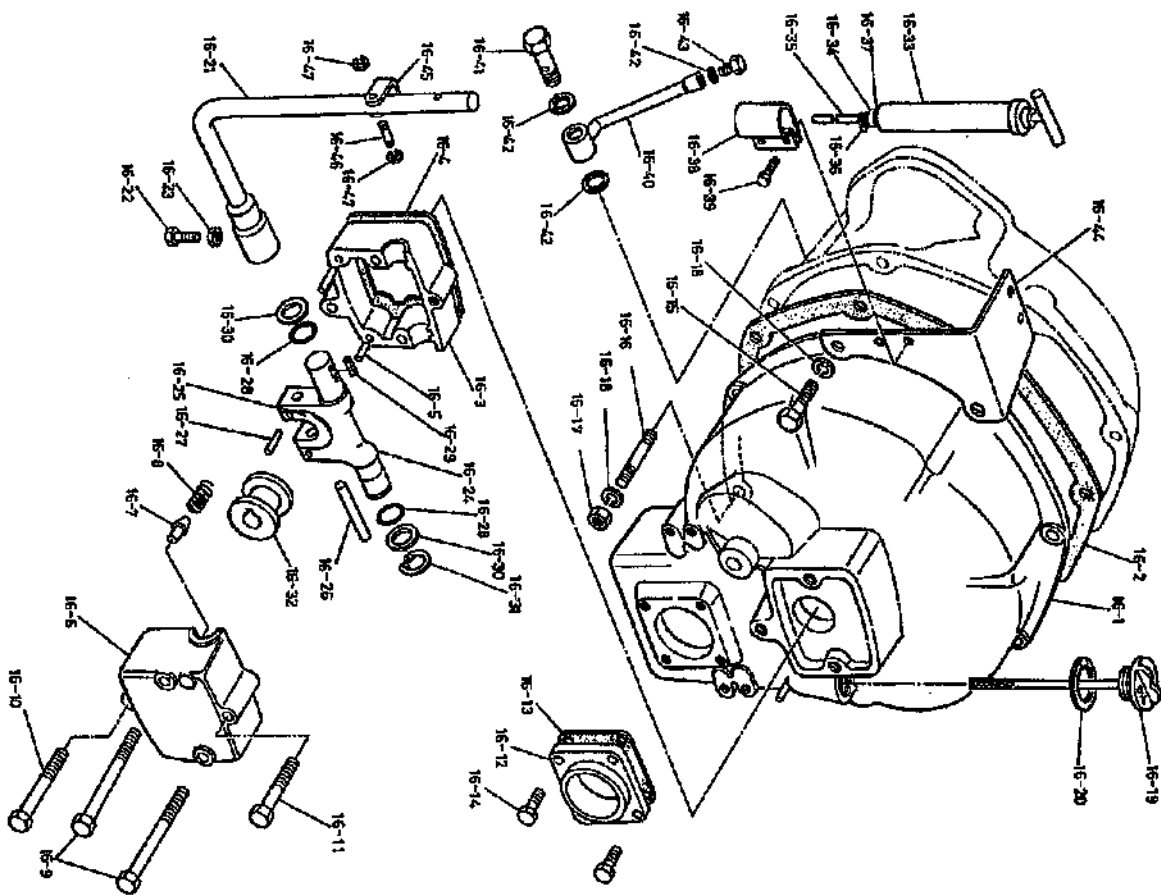


N° Réf.	N° Pièce	Désignation
15-1	104211-77010	Starter 236l
15-2	104211-77080	Packing, Starter 134l-0.3l
15-3	104214-77780	Panel Assy, Instrument 199l-86w
15-3	104211-77780	Panel Assy, Instrument 199l-86w
15-4	101721-77620	. Switch W/key 46l
15-4	104211-77620	. Switch W/key 35d-60l
15-5	104211-77720	. Lamp, Charge 35d-170l
15-5	104211-77970	. Lamp, Oil 35d-218l
15-5	104211-77970	. Lamp, Oil 35d-218l
15-5	104211-77970	. Lamp, Oil 35d-218l
15-5	104211-77970	. Lamp, Oil 35d-218l
15-6	104214-77900	. Fuse (20a)
15-7	104214-77920	Wire Harness (a) 1500l
15-7	104211-77920	Wire Harness (a) 1100l
15-8	104214-77930	Wire Harness (b) 1360l
15-8	704211-78100	Generator Device Assy
15-8	704511-78100	Generator Device Assy
15-8	704511-78100	Generator Device Assy
15-8	704511-78100	Generator Device Assy
15-29	104211-78010	Generator 62d-123l
15-30	104211-78290	Support, Generator 120l-34l
15-31	104211-78780	V-belt 457c
15-31	104511-78780	V-belt 483c
15-32	26116-100302	Bolt, Support M10-30
15-33	26116-080322	Bolt, Generator M8-32
15-34	22217-100000	Washer, Support 18.4od-2.5
15-35	22217-080000	Washer, Generator 15.4od-2
15-35	704214-77500	Optional Parts "addition"
15-35	704514-77500	Electric Starting Device "addition"
15-1	104211-77010	Starter 236l "addition"
15-2	104211-77080	Packing, Starter 134l-0.3l "addition"
15-3	104214-77780	Panel Assy, Instrument 199l-86w "addition"
15-4	101721-77620	. Switch W/key 46l "addition"
15-4	104211-77620	. Switch W/key 35d-60l "addition"

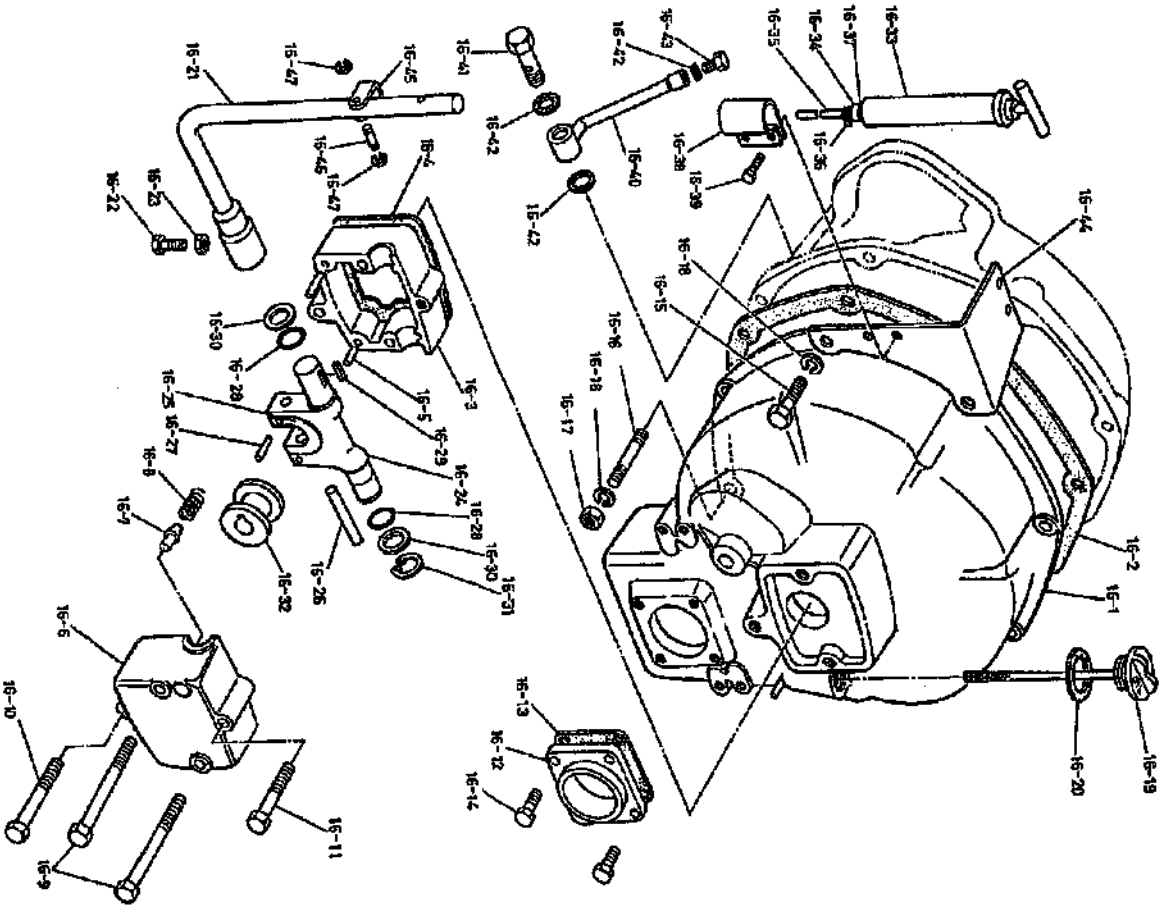


N° Réf.	N° Pièce
15-5	104211-77970
15-6	104214-77900
15-7	104214-77920
15-8	104214-77930
15-9	104214-77940
15-10	104211-77800
15-11	104211-77810
15-12	123310-77640
15-13	124220-77200
15-14	26117-080252
15-15	22217-080000
15-16	22137-080000
15-17	104214-77250
15-18	104514-77250
15-19	104214-77330
15-20	104514-77350
15-21	124220-77710
15-22	26117-100652
15-23	26117-100652
15-24	26117-080402
15-25	26117-080352
15-26	26117-080182
15-27	22217-100000
15-28	22217-080000
	22137-080000

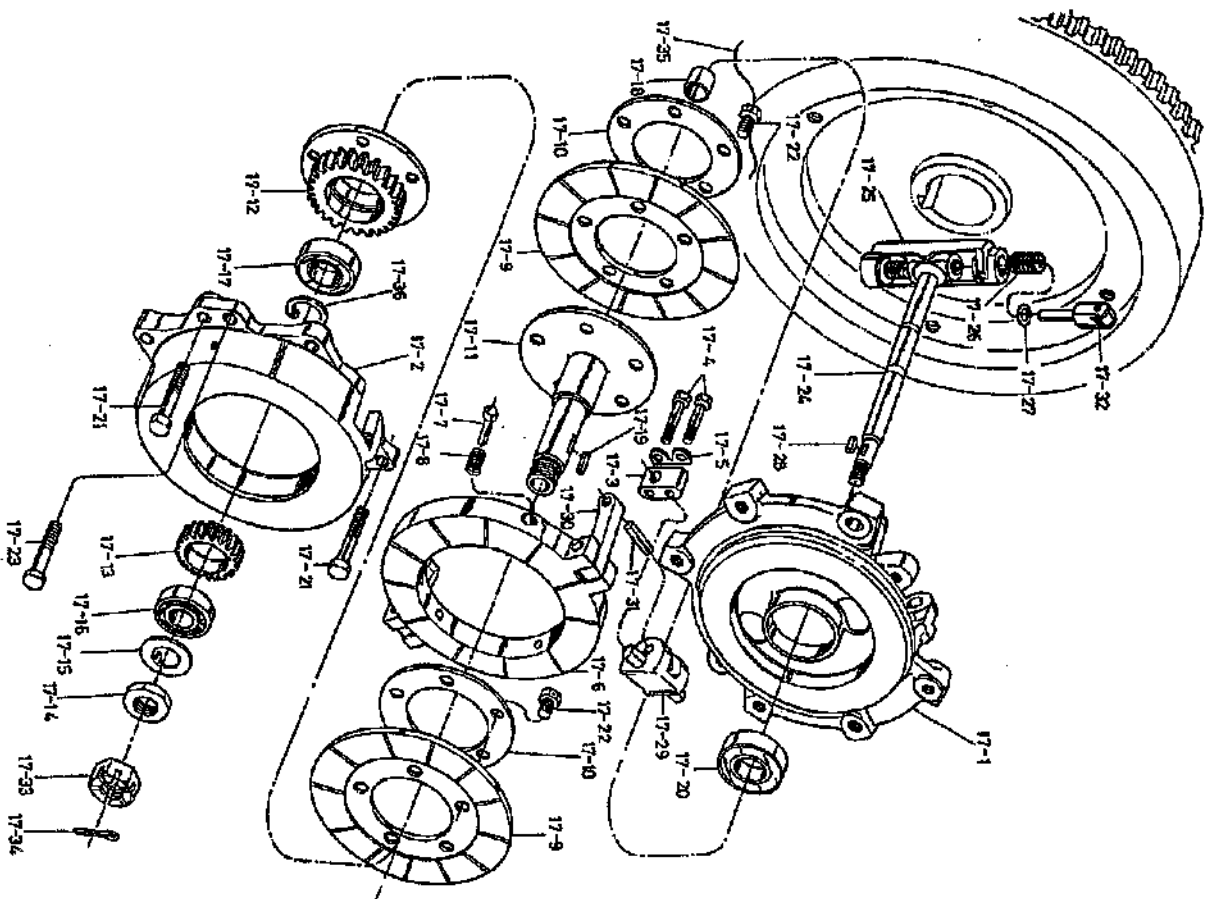
Designation
• Lamp 2181 "addition"
• Fuse (20a) "addition"
Wire Harness (a) 15001 "addition"
Wire Harness (b) 13601 "addition"
Wire Harness, (remote-control) 31001 "addition"
Cable (+) 12001 "addition"
Cable (-) 12001 "addition"
Switch, Battery 150h-791 "addition"
Generator 1601 "addition"
• Bolt, Adjuster M8-25 "addition"
• Spring Washer, Adjust Bolt 15.20d-21 "addition"
• Washer, Adjuster Bolt 16od-1.21 "addition"
Support, Generator 173h-80w "addition"
Support, Generator 200h-80w "addition"
Adjuster, Belt 60w-1701 "addition"
Adjuster, Belt 60w-1711 "addition"
V-belt 533c "addition"
V-belt 586c "addition"
Regulator 65 5h-1281 "addition"
Shim Set, Generator 24od-0.5t, 0.1t "addition"
Bolt, Support M10-65 "addition"
Bolt, Support M10-55 "addition"
Bolt, Support M8-40 "addition"
Bolt, Support M8-35 "addition"
Bolt, Support M8-25 "addition"
Bolt, Generator M8-18 "addition"
Bolt, Adjuster M8-18 "addition"
Spring Washer, Support 18.4od-2.5t "addition"
Spring Washer 15.20d-21 "addition"
Washer 16od-1.21 "addition"



N° Réf.	N° Pièce	Désignation
16-1	104211-82011	Clutch Case 400L-147W
16-1	104511-82011	Clutch Case 451.5H-147W
16-2	104211-82040	Packing, Case 344od-0.3t
16-2	104511-82040	Packing, Case 375od-0.3t
16-3	104211-82470	Rear Case Assy, Ahead Shaft 109L-102W
16-4	104211-82090	Packing, Case 109L-102W
16-5	22312-040100	Parallel Pin, Rear Case 4d-10l
16-6	22312-040100	Cover, Rear Case 109L-99W
16-7	124210-83360	Claw, Neutral Point Set 9d-32 7l
16-8	120220-82130	Springs, Neutral Point Set Claw 5,7od-22l
16-9	26117-080852	Bolt, Rear Case & Cover M8-85
16-10	26117-080852	Bolt, Rear Case & Cover M8-85
16-11	26117-080552	Bolt, Rear Cover M8-55
16-12	104211-82230	Rear Cover, Thrust Shaft 25W-82l
16-13	104211-82240	Packing, Cover 82L-0.3t
16-14	26117-080202	Bolt, Thrust Shaft Cover M8-20
16-15	26117-080802	Bolt, Clutch Case M8-80
16-15	26117-080952	Bolt, Clutch Case M8-95
16-16	28117-080302	Bolt, Clutch Case M8-30
16-17	26217-080282	Stud, Clutch Case 8sd-39ha
16-18	26717-080002	Nut, Stud M8
16-19	22217-080000	Spring Washer 15.4od-2l
16-20	104511-82910	Cap W/guage, Oil Feed Port 38d-173loa
16-21	101104-01760	Cap W/guage, Oil Feed Port 38d-204loa
16-22	104214-84450	Packing, Cap 38od-2t
16-23	26117-080202	Lever, Operating
16-24	26757-080002	Bolt, Lever M8-20
16-25	120220-84470	Nut, Lever M8
16-26	22312-080180	Lever Fork Assy, Shifter 57.5W-126l
16-27	22332-030220	Bush, Shifter 40l-33W
16-28	24311-000180	Parallel Pin 8d-18l
16-29	22512-050180	Taper Pin 3d-22l
16-30	120220-84130	O-ring 22.6od-2.4t
16-31	22242-000180	Key, Lever 5W-18l
16-32	120220-84310	Washer, O-ring 28d-27W
16-33	704214-39300	Circlip 23l-1.2t
16-34	43600-500040	Shifter 38od-24W
16-35	104214-39850	Optional Parts
16-36	23061-071000	Oil Pump, Evacuation 246l Oil Evacuation Pump Assy
16-37	23010-012000	Joint, Pipe 14sd-35l Oil Evacuation Pump Assy
16-38	23414-140000	Pipe 9od-1000l Oil Evacuation Pump Assy
16-39	26117-060129	Clamp 21l Oil Evacuation Pump Assy
16-40	104214-39710	Packing 18od-1t Oil Evacuation Pump Assy
16-41	104214-39720	Band Pump 54L-54W Oil Evacuation Pump Assy
16-42	23414-160000	Bolt, Band M6-12 Oil Evacuation Pump Assy
16-43	104200-01690	Pipe, Drain 154l Oil Evacuation Pump Assy
16-43	704214-86100	Bolt, Joint 16sd-38loa Oil Evacuation Pump Assy
		Packing 21od-1t Oil Evacuation Pump Assy
		Plug 16sd-28.5loa Oil Evacuation Pump Assy
		Optional Parts

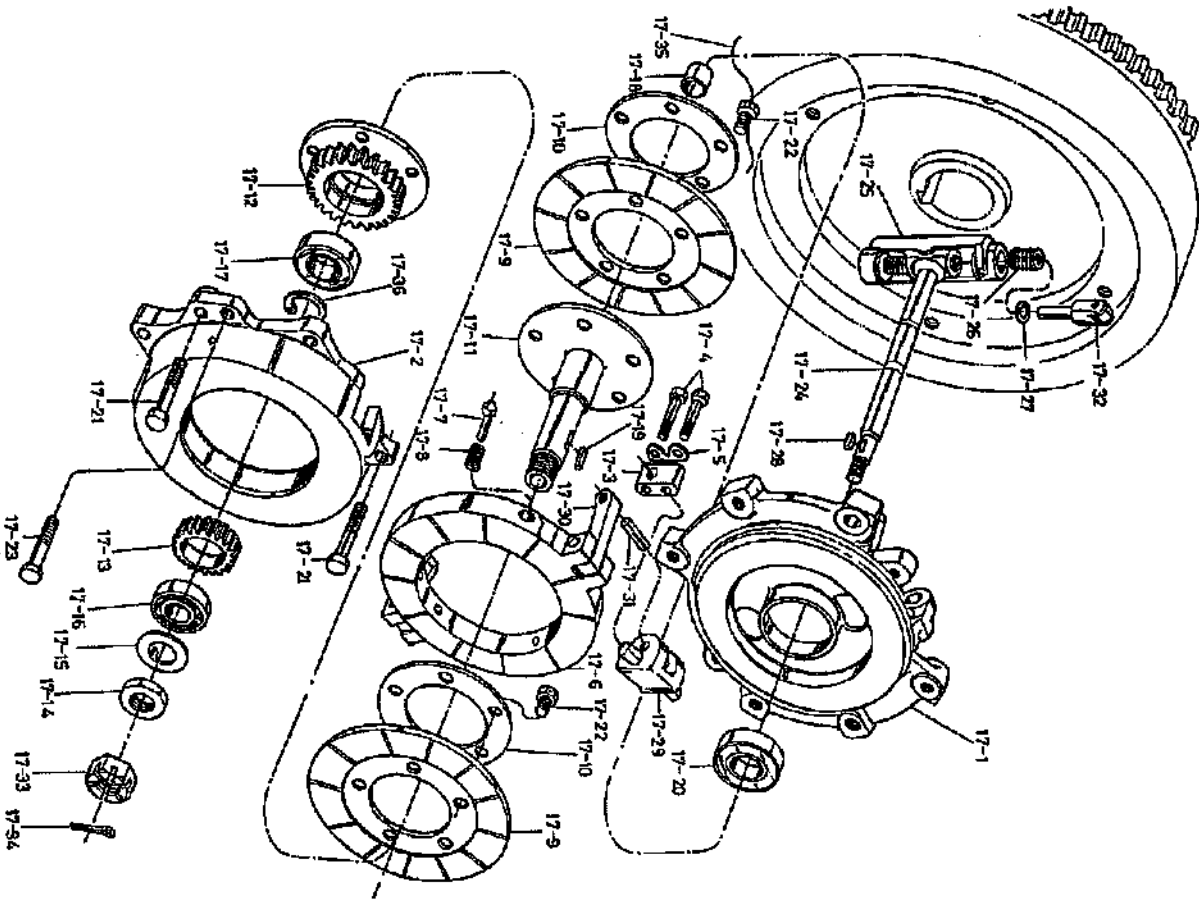


N° Réf.	N° pièce	Désignation
16-43	704514-86100	Clutch Remote Control Device
16-44	104214-86100	Bracket, Morse Wire 149-83W
16-45	104514-86100	Bracket, Morse Wire 152-83W
16-46	104214-86030	Joint, Morse Wire 22W-411
16-47	41710-000860	Pin, Joint 8d-30i
	22272-000070	Circlip, Pin 14d



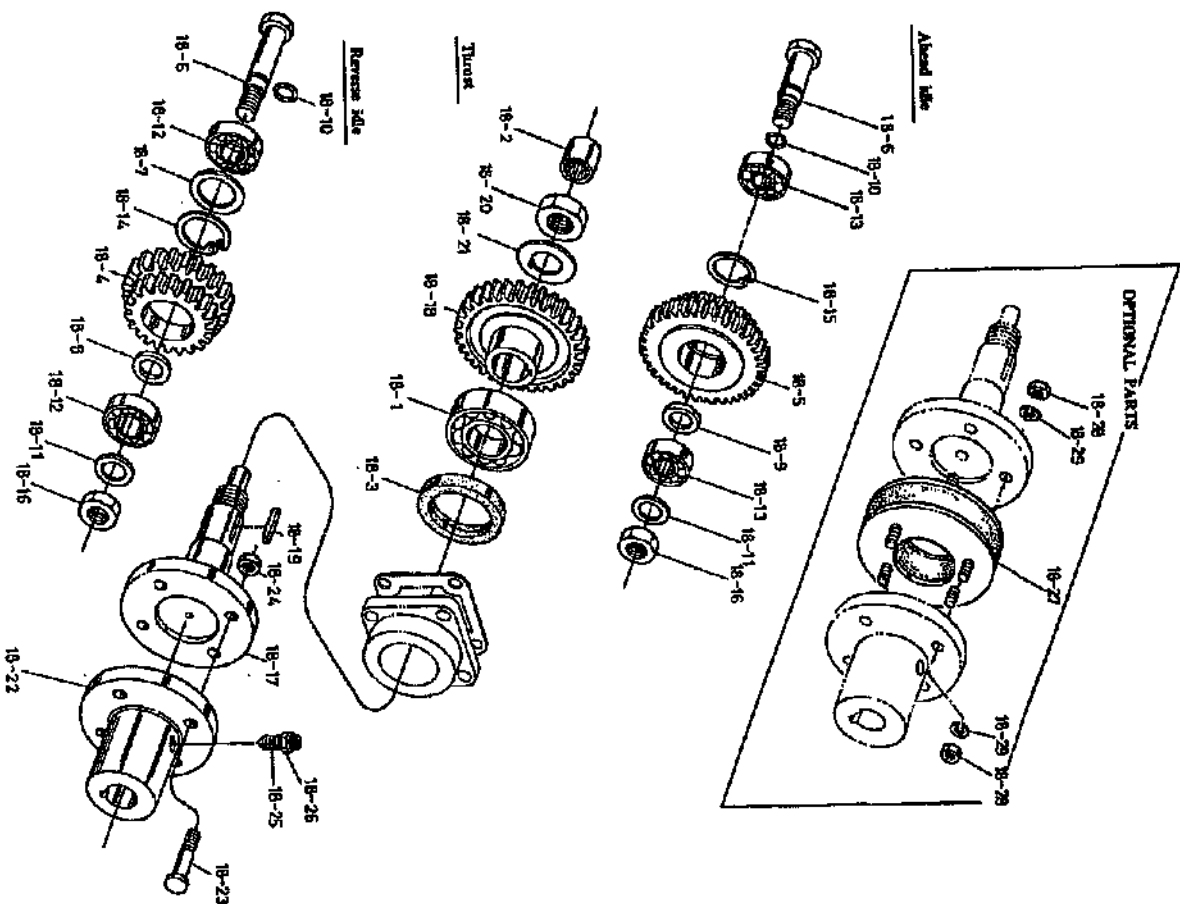
N° Réf. N° Pièce

N° Réf.	N° Pièce	Désignation
17-1	104211-83101	Housing (a), Friction Plate 210d-27t
17-1	104511-83101	Housing (a), Friction Plate 230d-27t
17-2	104211-83111	Housing (b), Friction Plate 210d-46w
17-2	104511-83111	Housing (b), Friction Plate 230d-46w
17-2	104511-83111	Housing (b), Friction Plate 230d-46w
17-3	122310-83380	Connector, V-lever 40d-20w
17-4	122310-83390	Bolt, Connector 8d-43l
17-5	122310-83630	Washer, Connector 44d-19w
17-6	104211-83340	Friction Plate 192t-18t
17-6	120220-83341	Friction Plate 180d-18t
17-6	120220-83342	Friction Plate 180d-18t
17-7	124210-83360	Claw, Friction Plate 9d-32.7l
17-7	124210-83360	Claw, Friction Plate 9d-32.7l
17-7	124210-83370	Spring, Claw 8.50d-23l
17-8	124210-83370	Spring, Claw 8.50d-23l
17-9	104211-83300	Friction Disc 180d-6t
17-9	122310-83300	Washer, Friction Disc 103d-2.3t
17-10	122310-83380	Washer, Friction Disc 103d-122l
17-11	104211-83210	Ahead Shaft 103d-28w
17-12	104211-83200	Reverse Gear 103d-28w
17-12	104211-83200	Reverse Gear 103d-28w
17-13	104511-83520	Ahead Shaft Gear 86d-26.5w
17-13	104213-83520	Ahead Shaft Gear 86d-26.5w
17-13	104511-83520	Ahead Shaft Gear 78d-26.5w
17-14	104211-83450	Nut, Ahead Shaft 4l.60d-10w
17-15	104211-83460	Washer 46d-11t
17-16	24101-062054	Bearing, Ahead Shaft 52d-15w
17-17	24101-062054	Bearing, Reversing Gear 47d-12w
17-18	122310-83800	Bush, Shifting Shaft 17d-20l
17-19	22512-070200	Key, Ahead Shaft Gear 7w-20l
17-12	104211-83201	Reverse Gear
17-12	104511-83201	Reverse Gear
17-13	104211-83521	Ahead Shaft Gear
17-13	104213-83521	Ahead Shaft Gear
17-13	104511-83521	Ahead Shaft Gear
17-13	104511-83521	Ahead Shaft Gear
17-20	24107-062054	Bearing, Ahead Shaft 52d-15w
17-21	26116-100452	Bolt, Housing (a,b) M10-45
17-22	120220-83290	Bolt, Friction Disc 86d-17.50a
17-23	26116-080302	Bolt, Housing (b) M8-30
17-24	104211-84490	Shifting Shaft Assy
17-24	104511-84480	Shifting Shaft Assy
17-25	104511-84490	Holder, Shifting Shaft 26d-128l
17-25	104511-84490	Holder, Shifting Shaft 26d-150l
17-26	104211-84460	Spring, Holder 17.50d-31l
17-26	104511-84460	Spring, Holder 17.50d-40.5l
17-27	104211-84480	Spring Washer 25d-2l
17-28	22522-040130	Key, Shifting Shaft 4w-12.6l
17-29	124210-84402	V-lever 62l
17-30	122310-84421	Link 16w-68l
17-31	124210-84410	Pin, Link 8d-32l



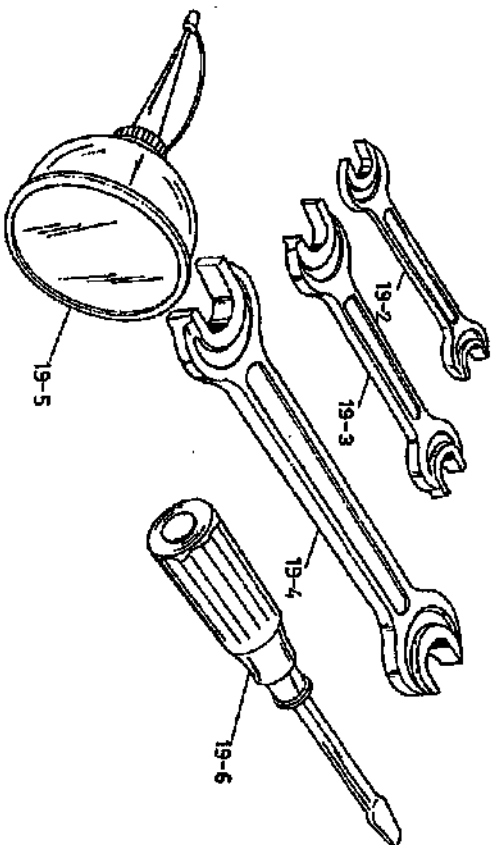
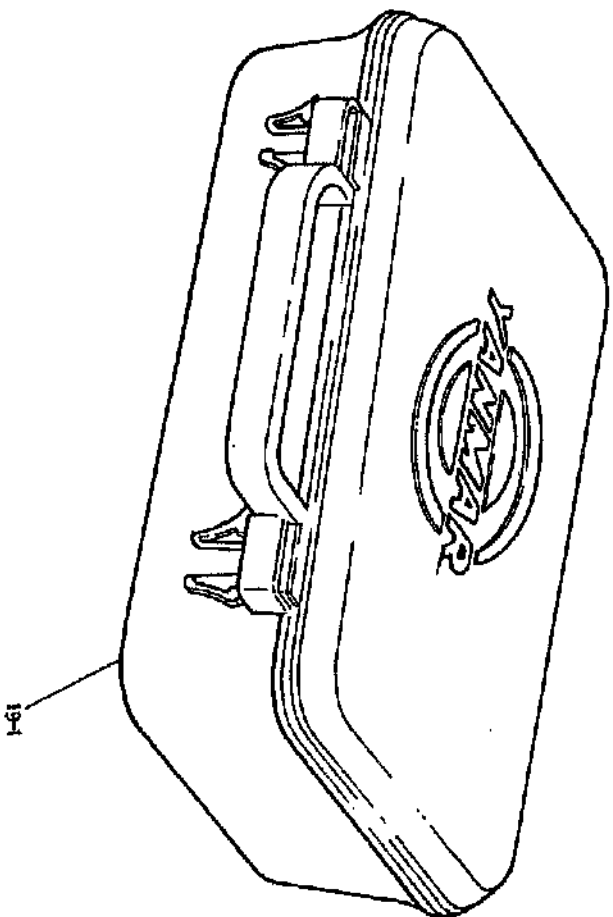
N° Réf.	N° pièce	Désignation
17-32	104211-84440	Push Rod W/roller 65.5l
17-32	122310-84450	Push Rod W/roller 76.5l
17-33	26677-120002	Nut, Ahead Shaft 21.90d-10W
17-34	22411-300250	Cotter Pin 3d-25l
17-35	22451-100000	Wire, Friction Disc Bolt 1d
17-36	22252-000470	Circclip

**CLUTCH (THRUST SHAFT, IDLE GEAR SHAFT)**

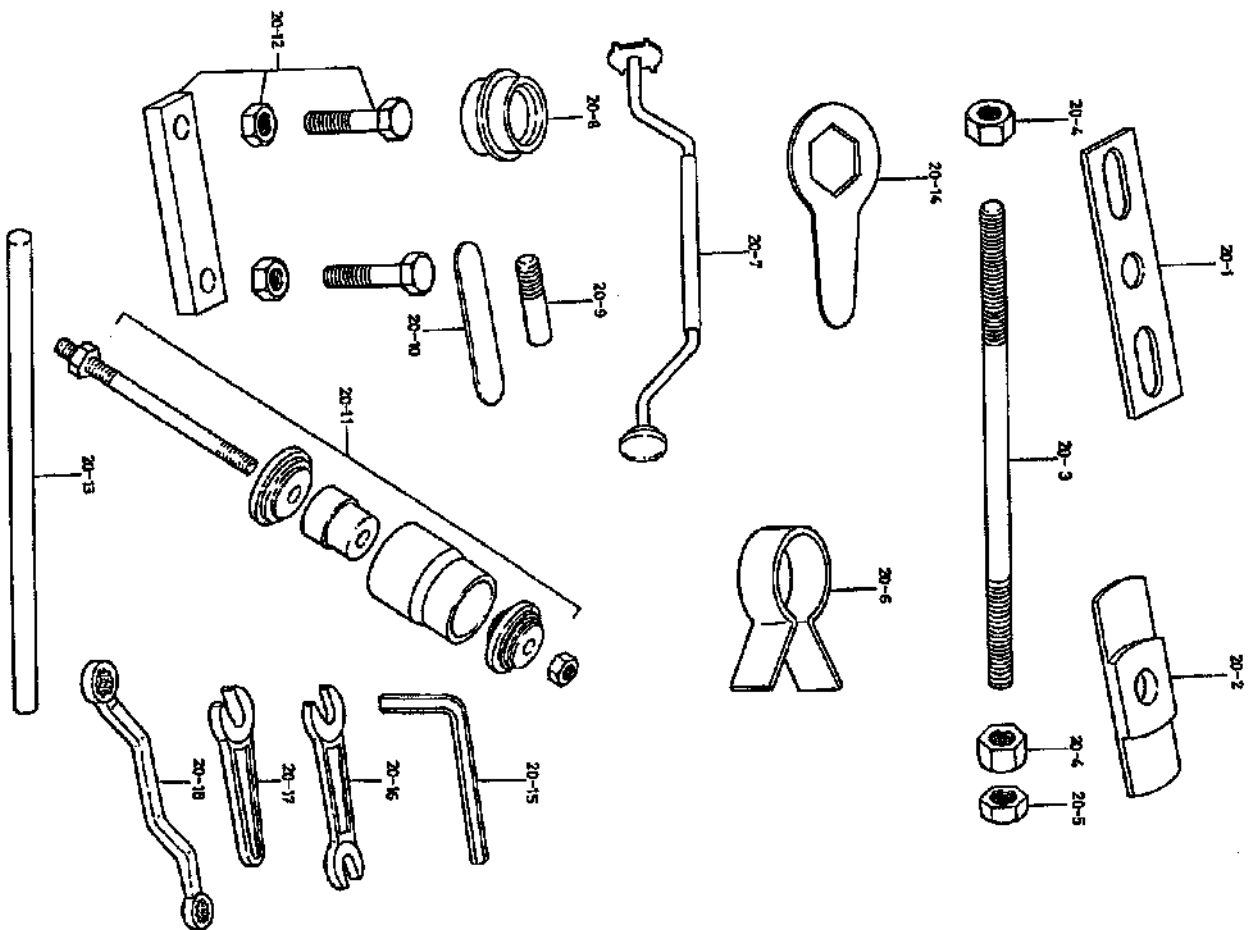


N° Réf.	N° Pièce	Designation
18-1	104211-82280	Bearing, Thrust Shaft 67.70d-16w
18-2	104211-82280	Needle Bearing, Thrust Shaft 31.0d-20w
18-3	104200-02220	Oil Seal, Thrust Shaft 60od-9t
18-4	104211-83930	Reverse Idle Gear 77.5d-33w
18-4	104213-83930	Reverse Idle Gear 77.5d-33w
18-4	104511-83930	Reverse Idle Gear 89.5d-33w
18-5	104211-83981	Ahead Idle Gear 108d-36w
18-5	104511-83980	Ahead Idle Gear 111d-36w
18-5	104513-83940	Ahead Idle Gear 132d-36w
18-6	104211-83240	Ahead Idle Gear 132d-36w
18-7	104211-83950	Idle Gear Shaft 40od-3.2l
18-8	104211-83960	Washer (a), Idle Gear Shaft 40od-5t
18-9	104511-83960	Washer, Ahead Idle Gear Shaft 32od-2t
18-10	104211-83970	O-ring, Idle Gear Shaft 17.5od-1.5t
18-11	104700-01240	Washer, Idle Gear Shaft 30od-5t
18-12	24101-062034	Bearing, Reverse Idle Gear 40od-12w
18-13	22252-000400	Bearing, Ahead Idle Gear 47od-14w
18-14	22252-000470	Circleip, Reverse Idle Shaft 43.5od-1.75t
18-15	26736-160002	Circleip, Ahead Idle Shaft 50.5od-1.75t
18-16	26736-160002	Nut, Idle Shaft M16
18-17	104211-83220	Thrust Shaft 100d-158.5l
18-18	104211-83540	Thrust Shaft Gear 93d-53.5w
18-18	104213-83531	Thrust Shaft Gear 105d-53.5w
18-18	104511-83530	Thrust Shaft Gear 116d-53.5w
18-18	104513-83530	Thrust Shaft Gear 132d-53.5w
18-19	22512-070300	Key, Thrust Shaft 7w-30l
18-20	26772-270002	Nut, Thrust Shaft M27
18-21	104211-83480	Washer, Thrust Shaft 50od-8t
18-22	48110-022360	Coupling 100d-76w
18-22	48110-025062	Coupling 100d-76w
18-22	48110-028062	Coupling 100d-76w
18-23	26116-100322	Coupling 100d-76w
18-24	26716-100002	Boit M10-32
18-25	48110-032411	Nut M10
18-26	26757-060002	Screw 8sd-23loa
18-26	704214-85450	Nut M8
18-27	704214-85450	Flexible Coupling Assy "optional Parts"
18-28	26716-100002	Coupling, Flexible 135d-70w "optional Parts"
18-29	22217-100000	Nut M10 "optional Parts"
18-29	22217-100000	Spring Washer 18.4od-2.5t "optional Parts"





N° Réf.	N° Pièce	Désignation
19-1	704211-92100	Tool Assy
19-2	104200-92800	Box, Tool 240-147.5w
19-3	28110-100130	Spanner, Double Ended 180l
19-4	28110-170190	Spanner, Double Ended 180l
19-4	28110-220240	Spanner, Double Ended 220l
19-5	28210-000150	Feeder, Gasoline 93l
19-6	104200-92350	Driver, Screw 210l



Titre du cliché.

**OPTIONAL PARTS, SPECIAL TOOLS**

N° Réf.	N° Pièce	Désignation
20-1	172200-92020	Plate, Cyl Liner Removing Upper 165I-50W
20-1	103338-92020	Plate, Cyl Liner Removing Upper 187I38W
20-2	101300-92010	Plate, Cyl Liner Removing Lower 84I-22W
20-2	101400-92010	Plate, Cyl Liner Removing Lower 94I-21W
20-3	103338-92030	Bolt, Cyl. Liner Removing 155d-380I
20-4	26717-160002	Nut M16
20-5	26757-160002	Lock Nut M16
20-6	101300-92140	Clamp, Piston Inserting 130I-26W
20-6	101400-92140	Clamp, Piston Inserting 140I-26W
20-7	28210-000031	Handle, Valve Lapping 210I
20-8	28210-000070	Powder, Valve Lapping 58d-27W
20-9	101104-92180	Replacer, F.I. Valve 13d-50I
20-10	28312-200750	Gauge, Thickness 75I-0.2I
20-11	104200-92400	Replacer Assy, Main Bearing 73d-220I
20-11	104500-92400	Replacer Assy, Main Bearing 73d-220I
20-12	704200-92700	Replacer Assy, Flywheel
20-12	704300-92700	Replacer Assy, Flywheel
20-13	28230-150300	Turning Bar 15d-300I
20-14	104211-92100	Spanner, End Nut 100W-165I
20-14	104511-92100	Spanner, End Nut 100W-130I
20-15	28150-050000	Spanner, Governor Support 33W-85I
20-16	28110-360410	Spanner, Double-ended 360I
20-17	28110-080000	Spanner, Single-ended 950I
20-18	28160-130170	Wrench 245I

N° Réf.	N° Pièce	Designation
	704214-01980	Spare Parts Kit
	704514-01980	Spare Parts Kit
1-11	104200-01330	Packing, Cyl. Head Gasket 146L-124W
1-11	104500-01330	Packing, Cyl. Head Gasket 162L-136W
7-2	704200-22500	Ring Set
7-2	704500-22500	Ring Set
11-3	172100-53000	Valve W/case, Fuel Injection 17d-33, 7l
9-19	104214-42780	V-belt, Water Pump 762c
9-19	104514-42780	V-belt, Water Pump 838c
15-19	104214-42780	V-belt 533c
15-19	104514-77350	V-belt 589c
15-19	704214-01990	Packing Kit
15-19	704514-01990	Packing Kit
8-19	104211-01410	Packing, Cyl. Side Cover 193W-195l
8-19	104511-01410	Packing, Cyl. Side Cover 222W-233l
1-24	104200-01490	Packing, Cyl. Rear Cover 114W-148l
9-39	104200-44050	Packing, Cyl. Upper Cover 119W-120l
9-39	104500-44050	Packing, Cyl. Upper Cover 134W-148l
6-6	104211-02020	Packing, Flywheel Housing 183W-209l
6-6	104511-02020	Packing, Flywheel Housing 195W-223l
15-2	104211-77080	Packing, Starter 134l-0.3l
3-25	101204-11450	Packing, Pre-combus. Chamber 28.8od-0.5t
3-25	101704-11450	Packing, Pre-combus. Chamber 31.8od-0.5t
3-26	103854-11490	Packing, Chamber Heating 24.5od-1l
3-45	104200-11310	Insulator, Bonnet 117.5l-95.5W
3-45	104500-11310	Packing, Bonnet 134.5l-98W
4-7	104211-13200	Packing, Exh. Gasket 70l-2l
4-7	104500-13200	Packing, Exh. Gasket 87l-2t
8-33	104200-34510	Packing, Oiler Body 64l-0.3t
8-10	104211-35120	Packing, Oiler Body 64l-0.3t
9-32	123210-09310	Packing, Strainer Case 69l-0.3l
9-34	101720-41820	Packing, Zinc 18d-1.5t
10-23	174100-51030	Packing, Zinc Flange 56l-0.5t
16-2	104211-82040	Packing, Fuel Injection Pump Body 53d-0.15t
16-2	104511-82040	Packing, Clutch Case 344d-0.3t
16-4	104211-82090	Packing, Clutch Case 375d-0.3t
16-13	104211-82240	Packing, Thrust Shaft Rear Case 109l-102W
		Packing, Thrust Shaft Rear Cover 82l-0.3t

この項目にはイラスト表現はしていません。  
The parts of this figure  
are not illustrated.

マリンギヤチャート  
II. MARINE GEAR CHART

Exchange for the following parts makes it possible to be interchangeable with other models as below. YSE8⇔YSE6G, YSE12⇔YSE12G

Part Name	Figure	Model	Part No.	A Diameter (Ours)	B Thickness	C Teeth or Blades	D Pitch	E Diameter (Inch)
Gear ahead idle		YS8	104211-83981	111	36	26,35		
		YS8G	104213-83941	111	36	22,36		
		YS12	104511-83980	132	36	31,42		
		YS12G	104513-83940	132	36	29,42		
Gear reverse idle		YS8	104211-83930	77.5	33	24,20		
		YS8G	104213-83930	77.5	33	24,19		
		YS12	(104511-83930)	(89.5)	(33)	(28,20)	Same	
		YS12G	(104513-83930)	(89.5)	(33)	(28,20)	Same	
Gear thrust shaft		YS8	104211-83540	93	53.5	29		
		YS8G	104213-83531	105	53.5	34		
		YS12	104511-83530	116	53.5	35		
		YS12G	104513-83530	132	53.5	42		
Coupling propeller shaft		YS8	48110-522360	100	76			22
		YS8G	48110-025062	100	76			25
		YS12	48110-025062	100	76			25
		YS12G	48110-028062	100	76			28
Propeller standard		YS8		360 330 300 270 240 210 180 150		3	230 220 210 200 190 180 170 160	22
		YS8G		460 420 380 340 300 260 220 180 140		3	230 220 210 200 190 180 170 160	25
		YS12		480 450 420 390 360 330 300 270 240		3	250 240 230 220 210 200 190 180 170	25
		YS12G		450 420 390 360 330 300 270 240 210		3	250 240 230 220 210 200 190 180 170	28
Stem arrangement asy., standard (without propeller & coupling)		YS8			22			
		YS8G	Shaft diameter		25			
		YS12	Shaft diameter		25			
YS12G	Shaft diameter		28					

