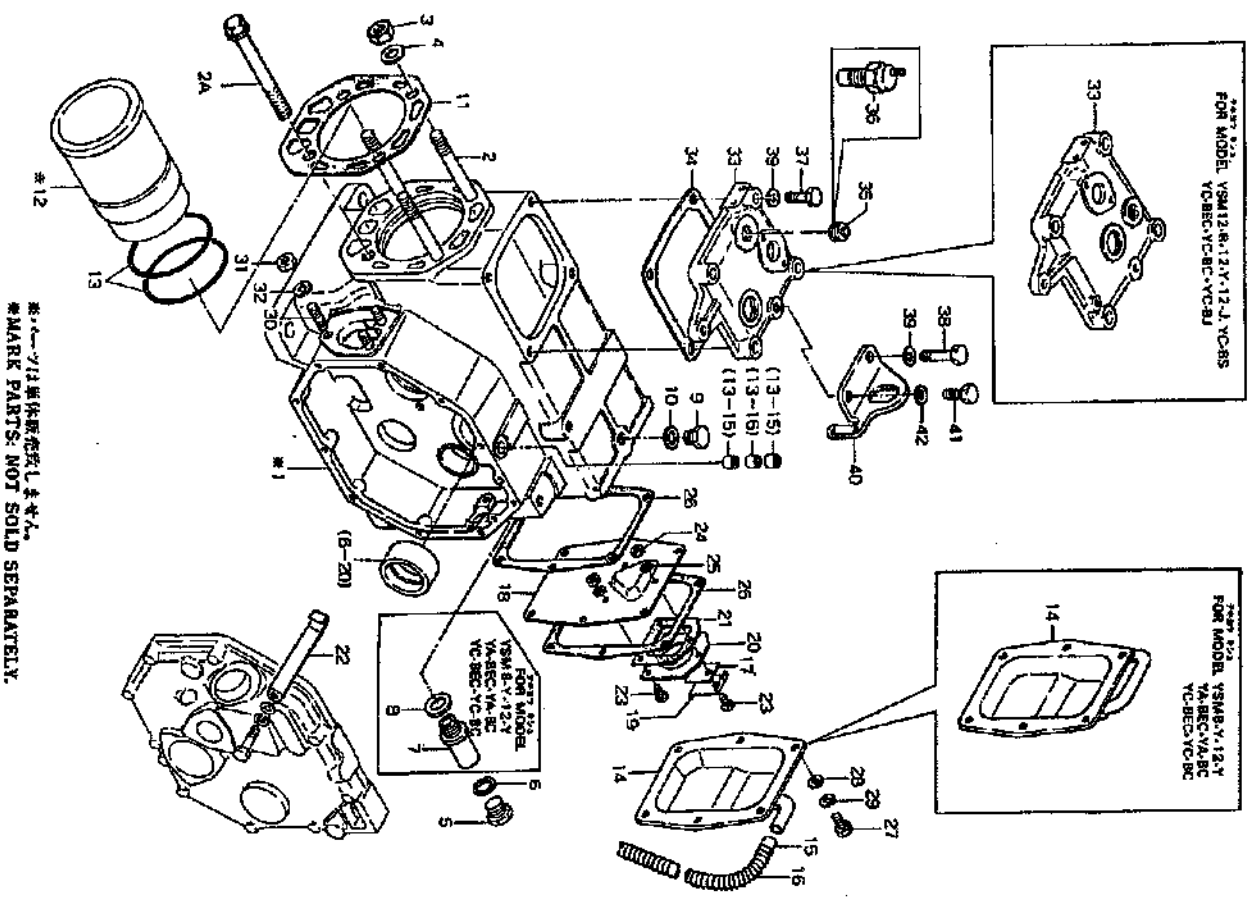


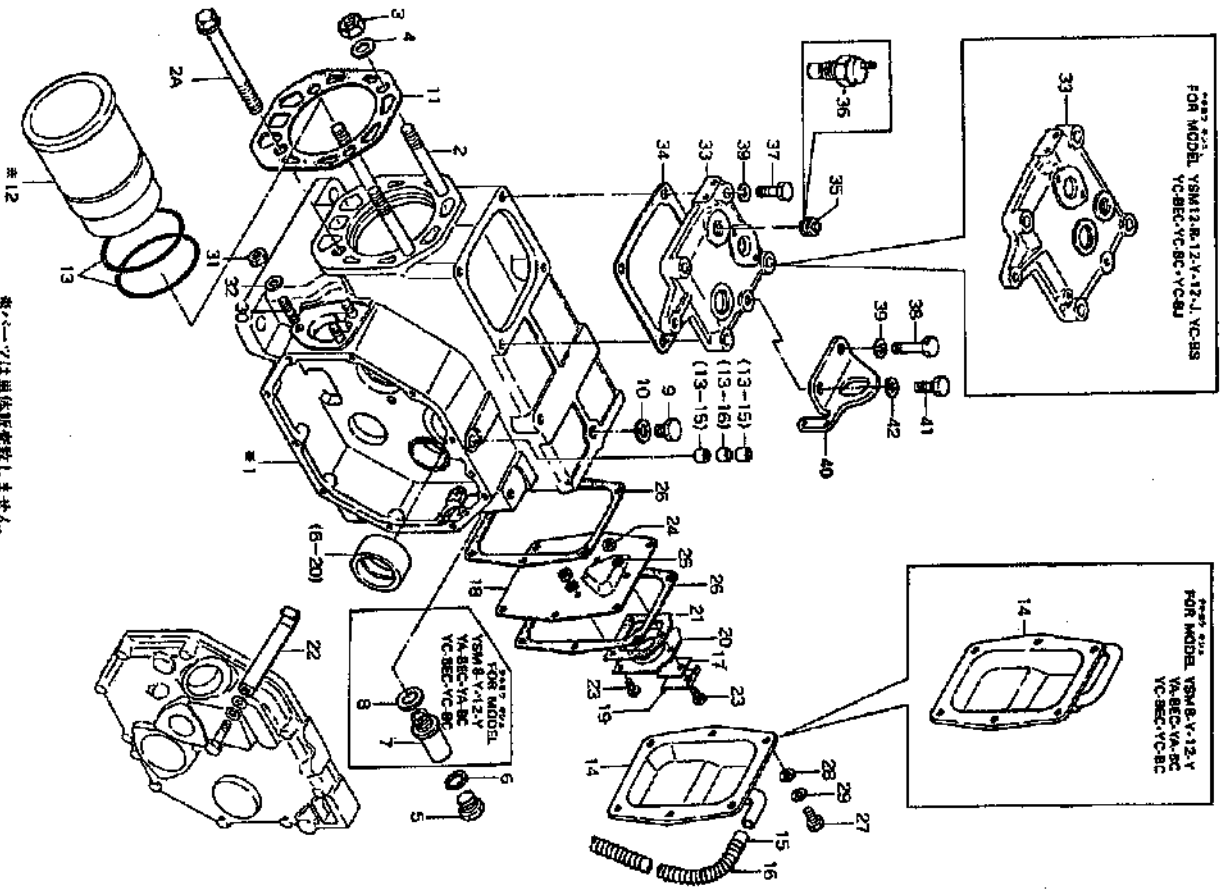
| N° Réf. | N° Pièce                     | Désignation   |
|---------|------------------------------|---|
| 1-1     | 704271-01560<br>704571-01560 | Block Assy, Cylinder<br>Block Assy, Cylinder                                      |
| 1-1     | *                            | Block, Cylinder 298.4l-241h   |
| 1-2     | 104200-01201<br>106100-01200 | Block, Cylinder 358l-279h<br>Stud, Cyl. Head 12d-122l<br>Stud, Cyl. Head 12d-122l |
| 1-2     | 104300-01200<br>106300-01200 | Stud, Cyl. Head 13d-132l<br>Stud, Cyl. Head 13d-132l                              |
| 1-2a    | 106100-01210                 | Bolt, Cyl. Head   |
| 1-2a    | 106300-01210                 | Bolt, Cyl. Head   |
| 1-3     | 101158-01220<br>101159-01220 | Nut, Cyl. Head Lock 12.6od-12l<br>Nut, Cyl. Head Lock 12.6od-12l                  |
| 1-3     | 104300-01200<br>104300-01200 | Nut, Cyl. Head Lock 25.4od-11l<br>Nut, Cyl. Head Lock 25.4od-11l                  |
| 1-4     | 104200-01240<br>104200-01240 | Washer, Cyl. Head Lock Nut 20d-4l<br>Washer, Cyl. Head Lock Nut 20d-4l            |
| 1-4     | 103338-01240<br>103338-01240 | Washer, Cyl. Head Lock Nut 22d-4l<br>Washer, Cyl. Head Lock Nut 22d-4l            |
| 1-4     | 104200-02100<br>104500-02100 | Main Bearing<br>Main Bearing  |
| 1-5     | 104200-01690                 | Plug, Drain 16d-28.5l   |
| 1-6     | 23414-160000                 | Packing 16, Drain Plug  |
| 1-7     | 104407-01830                 | Pipe, Drain 27.7d-75.5l   |
| 1-8     | 23414-160000                 | Packing, Drain Pipe   |
| 13-15   | (104211-61520)               | Needle Bearing  |
| 13-16   | (104211-61530)               | Spacer, Needle Bearing  |
| 1-9     | 23383-120002                 | Plug M12  |
| 1-10    | 43400-500460                 | Seat Washer 12  |
| 1-11    | 104264-01330                 | Gasket, Cyl. Head   |
| 1-11    | 104564-01330                 | Gasket, Cyl. Head   |
| 1-11    | 104564-01331                 | Gasket, Cyl. Head   |

\*マークは別体販売致しません。  
\*MARK PARTS: NOT SOLD SEPARATELY.



| N° Réf. | N° Piece       | Designation                       |
|---------|----------------|-----------------------------------|
| 1-11    | 704200-01900   | Liner Assy, Cylinder              |
| 1-11    | 704500-01900   | Liner Assy, Cylinder              |
| 1-12    | *              | Liner, Cylinder 90.50d-138l       |
| 1-12    | *              | Liner, Cylinder 105.0d-164l       |
| 1-13    | 101204-01300   | Packing (rubber) 3.1L-90.60d      |
| 1-13    | 103338-01300   | Packing (rubber) 3.1L-104.10d     |
| 1-14    | 104271-01480   | Cover, Cyl. Rear 154h-120w        |
| 1-14    | 104272-01480   | Cover, Cyl. Rear 154h-120w        |
| 1-15    | (104271-03200) | Pipe, Air Breather 9x385          |
| 1-15    | 104571-03200   | Pipe, Air Breather 9x460          |
| 1-15    | (104200-03180) | Pipe, (Vinyl) 9x220               |
| 1-15    | (104200-03180) | Pipe, (Vinyl) 9x220               |
| 1-16    | 104271-03220   | Protector, Breather Pipe          |
| 1-17    | 104104-03060   | Valve, Air Breather Check 22w-33l |
| 1-18    | 104104-03080   | Plate, Breather Baffle 117w-170l  |
| 1-18    | 104504-03080   | Plate, Breather Baffle 117w-170l  |
| 1-19    | 104104-03110   | Plate, Check Valve Fix 22w-34.5l  |
| 1-20    | 104104-03120   | Retainer, Check Valve 55w-72l     |
| 1-21    | 104104-03130   | Packing, Plate 55w-72l            |
| 1-22    | 104271-03230   | Clamp, Breather Pipe              |
| 1-23    | 28557-040102   | Screw M4x10                       |
| 1-24    | 26716-040002   | Nut M4                            |
| 1-25    | 22217-040000   | Spring Washer 4                   |
| 1-26    | 104200-01490   | Packing, Rear Cover 114w-148h     |
| 1-27    | 28116-060142   | Bolt M8x14                        |
| 1-28    | 22117-060000   | Washer 6                          |
| 1-28    | 22217-060000   | Spring Washer 6                   |
| 1-30    | 26216-080222   | Stud M8x22                        |
| 1-31    | 28716-080002   | Nut M8                            |
| 1-32    | 22217-080000   | Spring Washer 8                   |
| 1-33    | 104271-01850   | Upper Cover 158w-19h              |
| 1-33    | 104571-01850   | Upper Cover 158w-19h              |
| 1-34    | 104200-44050   | Packing, Upper Cover 120w-119l    |
| 1-34    | 104500-44050   | Packing, Upper Cover 134w-148l    |
| 1-35    | 23873-030000   | T-pilg Pk3/8                      |
| 1-36    | 46150-004530   | Sender, C.w. Temp.                |
| 1-37    | 26116-080302   | Bolt M8x30                        |
| 1-37    | 26116-080302   | Bolt M8x30                        |
| 1-37    | 26116-080302   | Bolt M8x30                        |
| 1-37    | 26116-100352   | Bolt M10x35                       |
| 1-37    | 26116-100352   | Bolt M10x35                       |
| 1-37    | 26116-100352   | Bolt M10x35                       |
| 1-38    | 26116-080352   | Bolt M8x35                        |
| 1-38    | 26116-100402   | Bolt M10x40                       |
| 1-39    | 22217-080000   | Spring Washer 8                   |
| 1-39    | 22217-080000   | Spring Washer 8                   |
| 1-39    | 22217-100000   | Spring Washer 10                  |
| 1-39    | 22217-100000   | Spring Washer 10                  |
| 1-40    | 104271-07230   | Bracket, Eng. Sling 92w-66h       |
| 1-41    | 26116-080162   | Bolt M8x16                        |
| 1-42    | 22217-080000   | Spring Washer 8                   |

\*マークは別体販売品ではありません。  
\*MARK PARTS: NOT SOLD SEPARATELY.



※マークは別体取組部品を示す。  
\* MARK PARTS: NOT SOLD SEPARATELY.

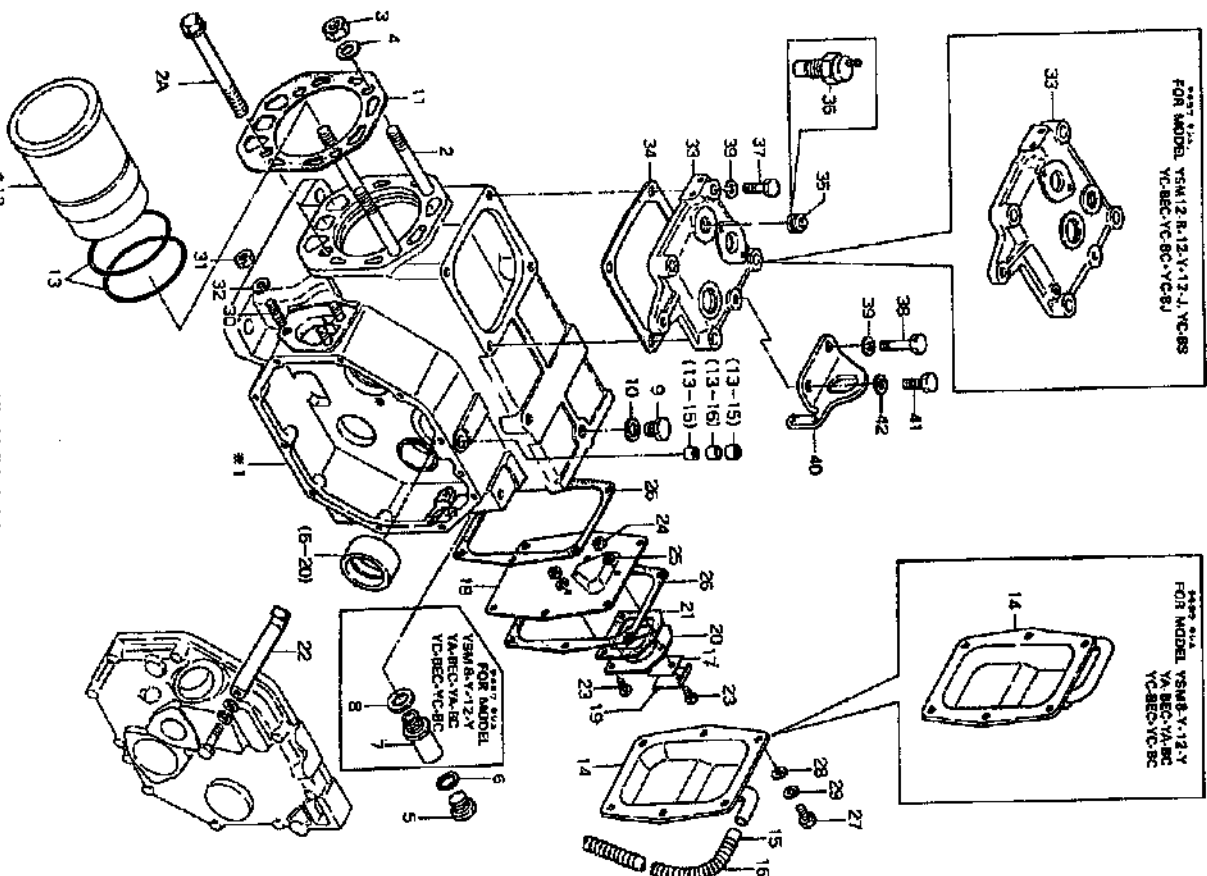
| N° Réf. | N° Pièce                     | Désignation  |
|---------|------------------------------|--|
| 1-1     | 704271-01560<br>704571-01560 | Block Assy, Cylinder<br>Block Assy, Cylinder         |
| 1-1     | *                            | Block, Cylinder 298.4L-241h                          |
| 1-2     | 104200-01201                 | Block, Cylinder 358L-279h                            |
| 1-2     | 106100-01200                 | Stud, Cyl. Head 12d-122i<br>Stud, Cyl. Head 12d-122i |
| 1-2     | 104300-01200                 | Stud, Cyl. Head 13d-132i                             |
| 1-2     | 106300-01200                 | Stud, Cyl. Head 13d-132i                             |
| 1-2a    | 106100-01210                 | Bolt, Cyl. Head                                      |
| 1-2a    | 106300-01210                 | Bolt, Cyl. Head                                      |
| 1-3     | 101158-01220                 | Nut, Cyl. Head Lock 12.6od-12t                       |
| 1-3     | 101159-01220                 | Nut, Cyl. Head Lock 12.6od-12t                       |
| 1-3     | 104300-01200                 | Nut, Cyl. Head Lock 25.4od-11t                       |
| 1-3     | 104300-01200                 | Nut, Cyl. Head Lock 25.4od-11t                       |
| 1-4     | 104200-01240                 | Washer, Cyl. Head Lock Nut 20d-4t                    |
| 1-4     | 104200-01240                 | Washer, Cyl. Head Lock Nut 20d-4t                    |
| 1-4     | 103336-01240                 | Washer, Cyl. Head Lock Nut 22d-4t                    |
| 1-4     | 103336-01240                 | Washer, Cyl. Head Lock Nut 22d-4t                    |
| 6-20    | (104200-02100)               | Main Bearing   |
| 6-20    | (104500-02100)               | Main Bearing   |
| 1-5     | 104200-01690                 | Plug, Drain 16d-28.5l                                |
| 1-5     | 23414-160000                 | Packing 16, Drain Plug                               |
| 1-7     | 104407-01630                 | Pipe, Drain 27.7d-75.5l                              |
| 1-8     | 23414-160000                 | Packing, Drain Pipe                                  |
| 13-15   | (104211-61520)               | Needle Bearing                                       |
| 13-15   | (104211-61530)               | Spacer, Needle Bearing                               |
| 13-16   | 23883-120002                 | Plug M12   |
| 1-9     | 23883-120002                 | Plug M12   |
| 1-10    | 43400-500460                 | Seal Washer 12                                       |

**CYLINDER BLOCK**

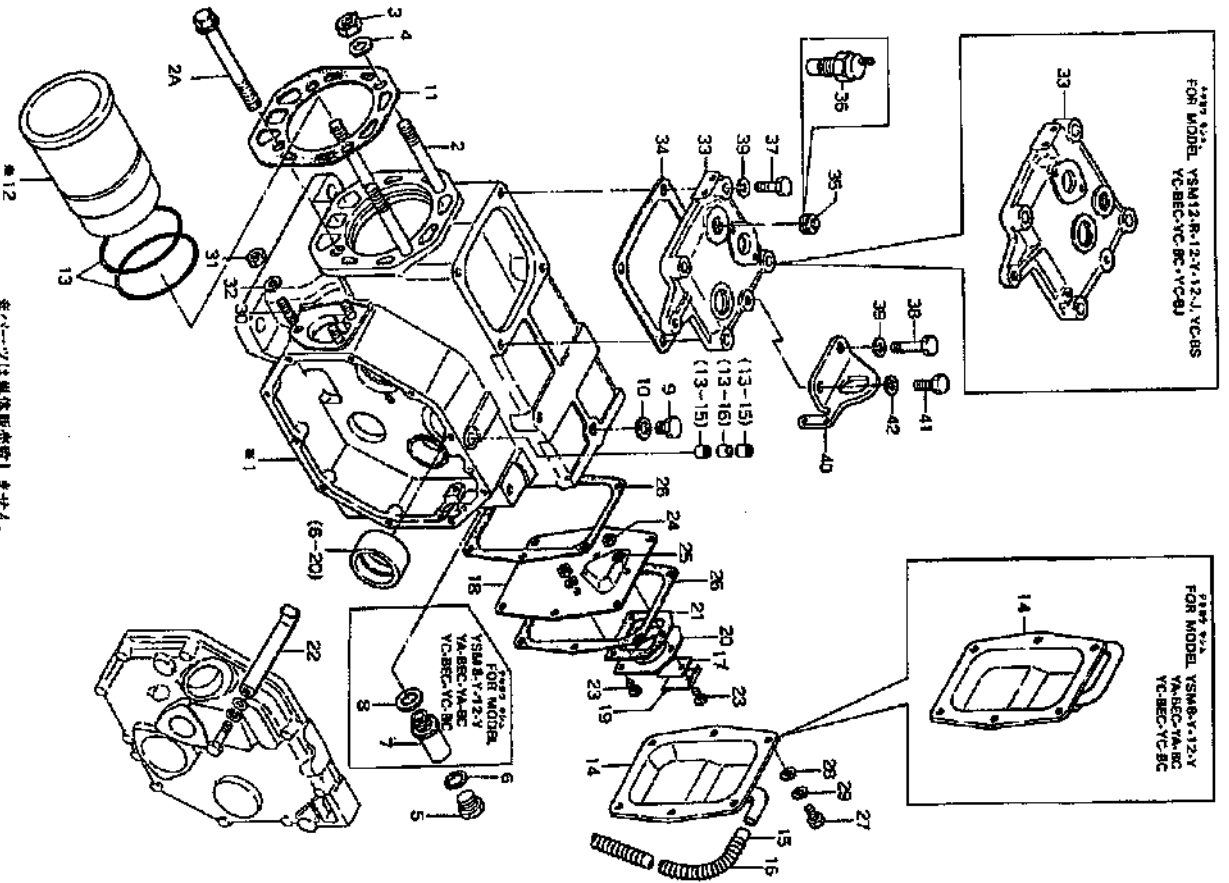
N° Réf. N° Pièce

Designation

|      |                |                                   |
|------|----------------|-----------------------------------|
| 1-11 | 104264-01330   | Gasket, Cyl. Head                 |
| 1-11 | 104564-01330   | Gasket, Cyl. Head                 |
| 1-11 | 104564-01331   | Gasket, Cyl. Head                 |
| 1-11 | 704200-01600   | Liner Assy, Cylinder              |
| 1-11 | 704500-01900   | Liner Assy, Cylinder              |
| 1-12 | *              | Liner, Cylinder 90.50d-138l       |
| 1-12 | 101204-01300   | Liner, Cylinder 105.0d-164l       |
| 1-13 | 103338-01300   | Packing (rubber) 3.11-90.60d      |
| 1-14 | 104271-01480   | Packing (rubber) 3.11-104.10d     |
| 1-14 | 104272-01480   | Cover, Cyl. Rear 154h-120w        |
| 1-14 | 104271-03200   | Cover, Cyl. Rear 154h-120w        |
| 1-15 | 104571-03200   | Pipe, Air Breather 9x385          |
| 1-15 | (104200-03180) | Pipe, Air Breather 9x460          |
| 1-15 | (104200-03180) | Pipe, (Vinyl) 9x220               |
| 1-15 | (104200-03180) | Pipe, (Vinyl) 9x220               |
| 1-16 | 104271-03220   | Protector, Breather Pipe          |
| 1-17 | 104104-03080   | Valve, Air Breather Check 22w-33l |
| 1-18 | 104104-03080   | Plate, Breather Baffle 117w-170l  |
| 1-18 | 104504-03080   | Plate, Breather Baffle 117w-170l  |
| 1-19 | 104104-03110   | Plate, Check Valve Fix 22w-34.5l  |
| 1-20 | 104104-03120   | Plate, Check Valve Fix 22w-34.5l  |
| 1-21 | 104104-03130   | Retainer, Check Valve 55w-72l     |
| 1-22 | 104271-03230   | Packing, Plate 55w-72l            |
| 1-23 | 26557-040102   | Cleamp, Breather Pipe             |
| 1-24 | 26716-040002   | Screw M4x10                       |
| 1-25 | 22217-040000   | Nut M4                            |
| 1-25 | 104200-01490   | Spring Washer 4                   |
| 1-26 | 104200-01490   | Packing, Rear Cover 114w-148h     |
| 1-27 | 26116-060142   | Washer 6                          |
| 1-28 | 22117-060000   | Spring Washer 6                   |
| 1-29 | 22217-060000   | Stud M8x22                        |
| 1-30 | 26216-080222   | Nut M8                            |
| 1-31 | 26716-080002   | Spring Washer 8                   |
| 1-32 | 22217-080000   | Upper Cover 158w-19h              |
| 1-33 | 104271-01680   | Upper Cover 158w-19h              |
| 1-33 | 104571-01680   | Packing, Upper Cover 120w-119l    |
| 1-34 | 104200-44050   | Packing, Upper Cover 134w-148l    |
| 1-34 | 104500-44050   | T-plug P13/8                      |
| 1-35 | 23873-030000   | Sender, C.w. Temp.                |
| 1-36 | 46150-004530   | Bolt M8x30                        |
| 1-37 | 26116-080302   | Bolt M8x30                        |
| 1-37 | 26116-080302   | Bolt M8x30                        |
| 1-37 | 26116-080302   | Bolt M10x35                       |
| 1-37 | 26116-100352   | Bolt M10x35                       |
| 1-37 | 26116-100352   | Bolt M10x35                       |
| 1-38 | 26116-080352   | Bolt M8x35                        |
| 1-38 | 26116-100402   | Spring Washer 8                   |
| 1-39 | 22217-080000   | Spring Washer 8                   |
| 1-39 | 22217-080000   | Spring Washer 8                   |

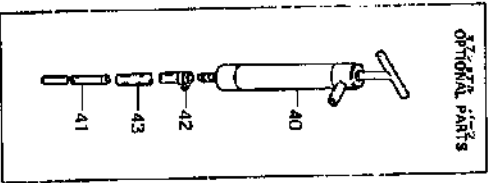
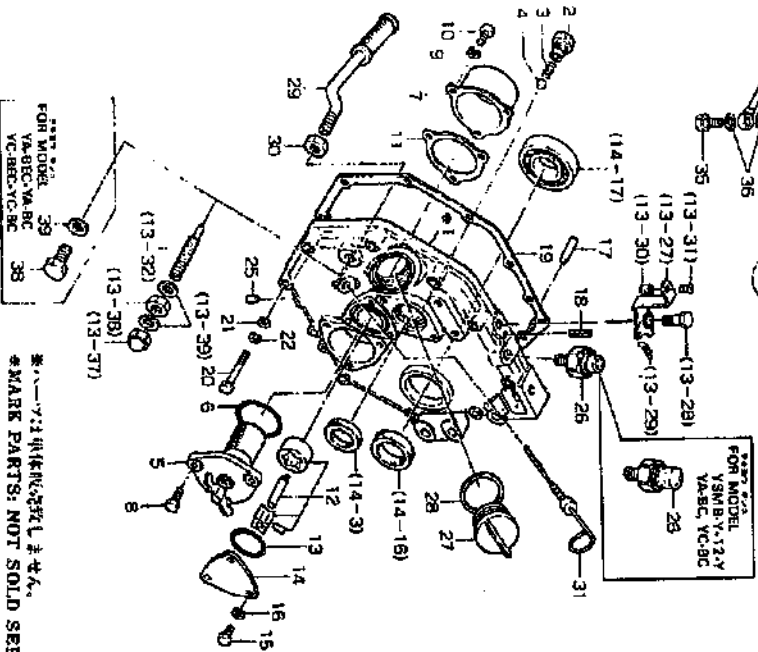
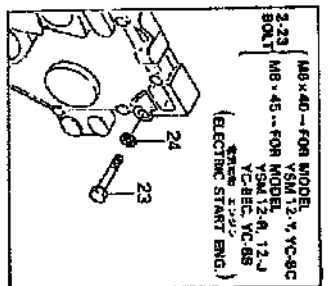
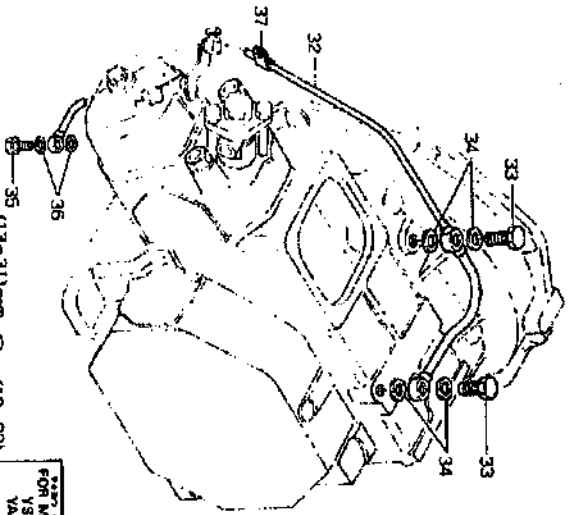


※マークの付いた部品は別売品として扱われます。  
# MARK PARTS: NOT SOLD SEPARATELY.



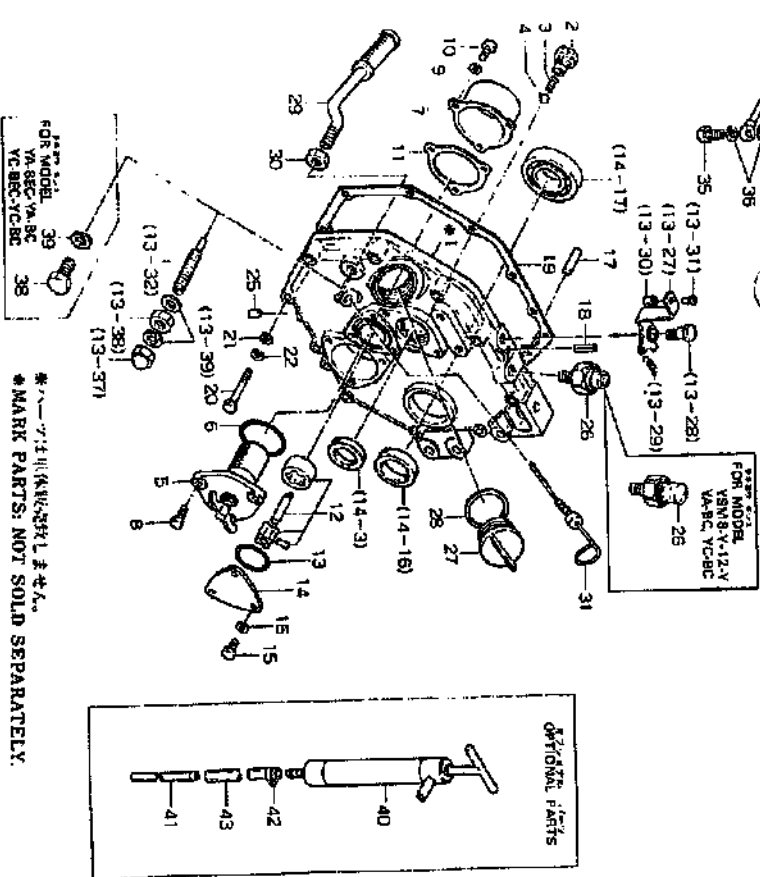
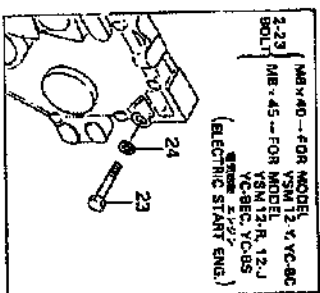
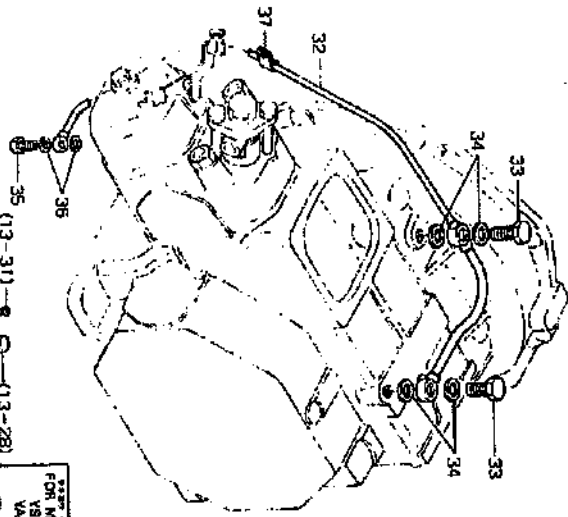
※マーク7は標準取付部品ではありません。  
※MARK PARTS: NOT SOLD SEPARATELY.

| N° Réf. | N° Pièce     | Designation                 |
|---------|--------------|-----------------------------|
| 1-39    | 22217-100000 | Spring Washer 10            |
| 1-39    | 22217-100000 | Spring Washer 10            |
| 1-40    | 104271-07230 | Bracket, Eng. Sling 92W-66h |
| 1-41    | 26116-080162 | Bolt M6x16                  |
| 1-42    | 22217-080000 | Spring Washer 8             |

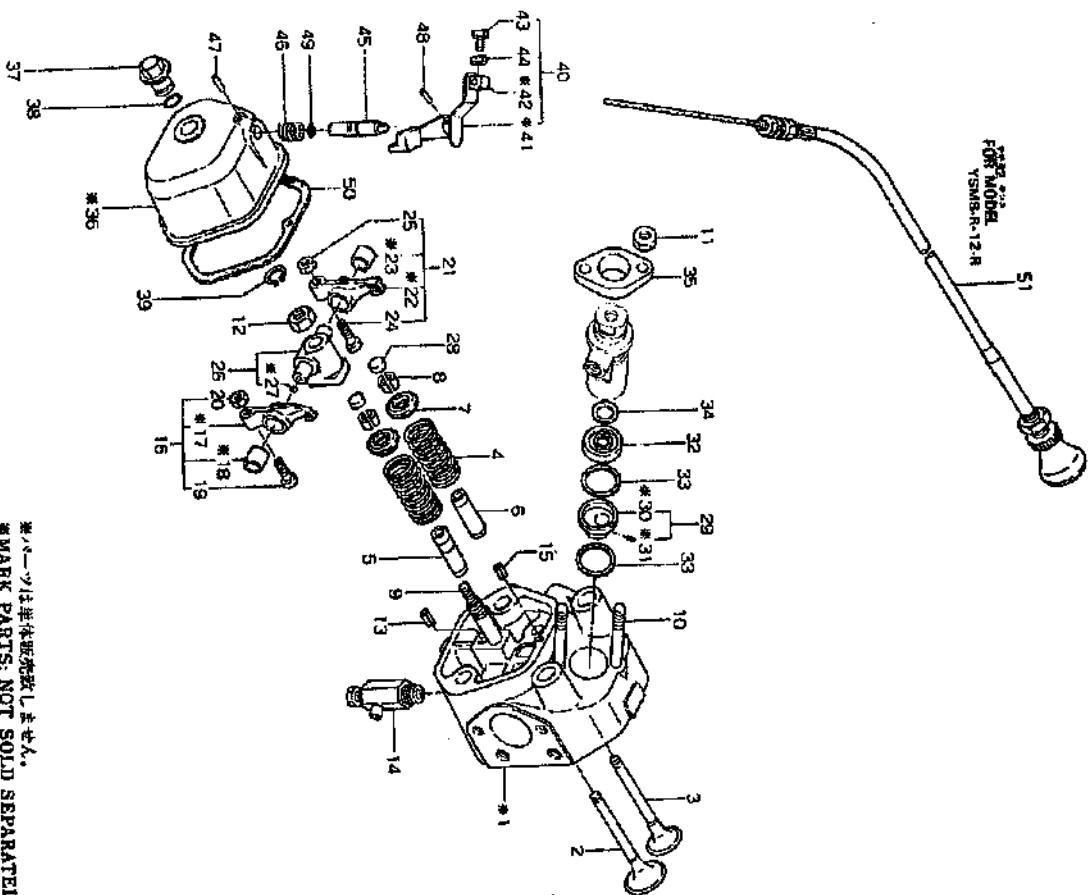


※ 別個に取付される  
\*PARTS: NOT SOLD SEPARATELY.

| N° Réf. | N° Piece                     | Designation  |
|---------|------------------------------|--|
| 2-1     | 704271-01500<br>704571-01500 | Cover Assy, Cyl. Side<br>Cover Assy, Cyl. Side           |
| 2-1     | *                            | Cover, Cyl. Side 2701-35t                                |
| 2-2     | 104271-34010                 | Cover, Cyl. Side 2671-36t                                |
| 2-3     | 105582-34040                 | Body, L.O. Press, Control Valve MH4-211                  |
| 2-4     | 24190-100001                 | Spring, Adj. Valve                                       |
| 2-5     | 104271-35130                 | Steel Ball 5/16  |
| 2-6     | 104200-35280                 | Strainer, Lub. Oil 82l                                   |
| 2-7     | 104211-35270                 | O-ring, Strainer Cover 47.5od                            |
| 2-8     | 26118-060162                 | Bowl, Lub. Oil Strainer 47.2d-35w                        |
| 2-9     | 22217-060000                 | Bolt M6x16   |
| 2-10    | 26117-060129                 | Spring Washer 8  |
| 2-10    | 26557-060142                 | Bolt M6x12   |
| 2-11    | 104211-35120                 | Screw M6x14  |
| 2-12    | 101304-32520                 | Packing 66w-0.3t   |
| 2-12    | 104500-32150                 | Rotor Assy, Lub. Oil Pump                                |
| 2-13    | 103338-32570                 | Rotor Assy, Lub. Oil Pump                                |
| 2-14    | 103338-32070                 | O-ring, Pump Cover 37.5d-2t                              |
| 2-15    | 26116-060122                 | Cover, Lub. Oil Pump                                     |
| 2-16    | 22117-060000                 | Bolt M6x12   |
| 2-17    | 22312-050140                 | Washer 6   |
| 2-18    | 22351-040016                 | Parallel Pin 5x14  |
| 2-19    | 104271-01410                 | Spring Pin 4x18  |
| 2-19    | 104571-01410                 | Packing, Cyl. Side Cover 233t-0.5t                       |
| 2-20    | 26116-060402                 | Packing, Cyl. Side Cover 267t-0.5t                       |
| 2-21    | 22117-060000                 | Bolt M6x40   |
| 2-22    | 22217-060000                 | Washer 6   |
| 2-23    | 26116-060402                 | Spring Washer 6  |
| 2-23    | 26116-060452                 | Bolt M6x40   |
| 2-24    | 22117-080000                 | Bolt M6x45   |
| 2-25    | 27225-060100                 | Washer 8   |
| 2-26    | 124060-36451                 | Plug 6x10  |
| 2-28    | 105582-34400                 | Sender, Lub. Oil Press.                                  |
| 2-28    | 124160-01750                 | Signal, Lub. Oil   |
| 2-28    | 101104-01760                 | Cap, Oil   |
| 2-29    | 106100-35090                 | Packing, Oil Cap   |
| 2-30    | 106300-35090                 | Pipe Comp., Lub. Oil Inlet                               |
| 2-30    | 104200-35070                 | Pipe Comp., Lub. Oil Inlet                               |
| 2-31    | 104271-34810                 | Lock Nut, Inlet Pipe Comp.                               |
| 2-32    | 104211-39200                 | Dipstick, Lub. Oil 128l                                  |
| 2-32    | 104571-39200                 | Pipe Comp. (cyl.-mounting Flange-cyl. Head),<br>Lub. Oil |
| 2-33    | 103854-39140                 | Pipe Comp. (cyl.-mounting Flange-cyl. Head),<br>Lub. Oil |
| 2-34    | 23414-120016                 | Bolt 12, Pipe Joint                                      |
| 2-35    | 101147-53910                 | Packing 12   |
| 2-36    | 23414-090012                 | Bolt 8, Pipe Joint                                       |
| 2-37    | 124450-39240                 | Packing 8  |
| 2-37    |                              | Clamp, Lub. Oil Pipe 15w-7t                              |



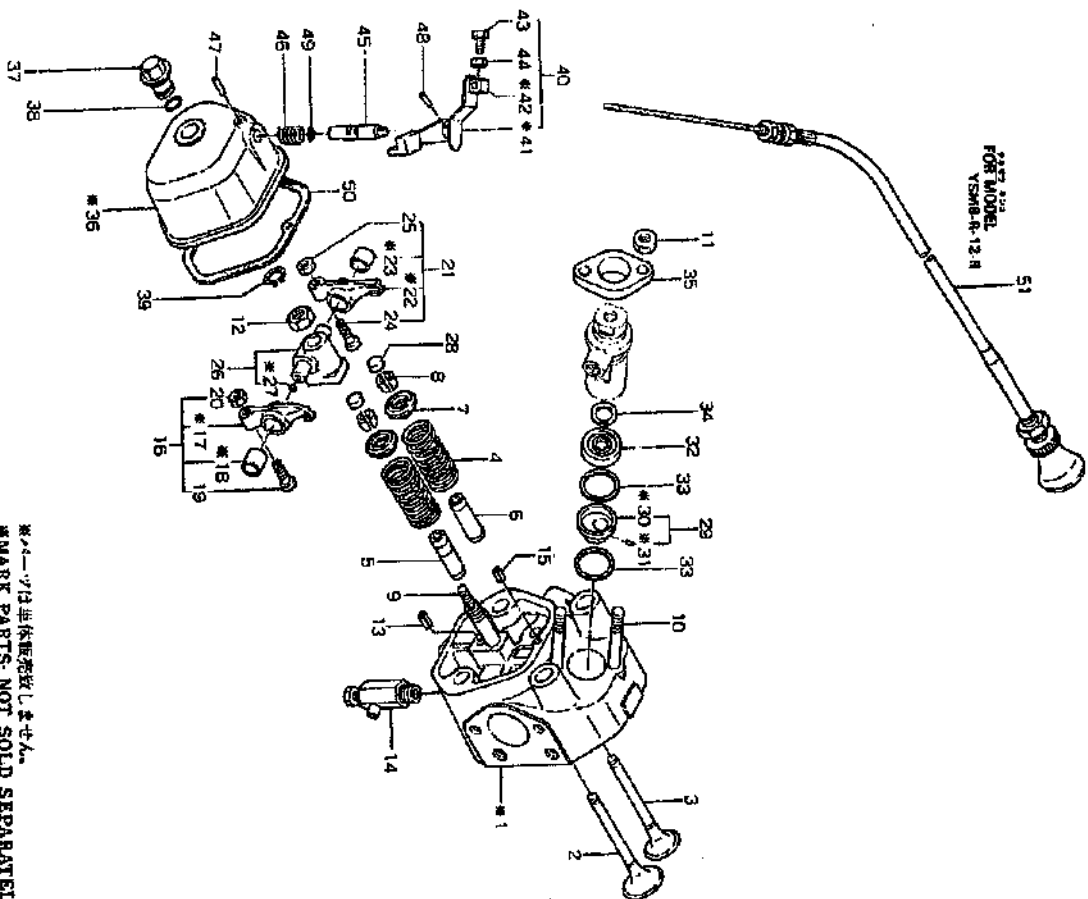
| N° Réf. | N° Pièce     | Designation                                      |
|---------|--------------|--|
| 2-38    | 135400-01790 | Plug M10   |
| 2-39    | 121250-01990 | Packing 10                                       |
| 2-40    | 104264-39700 | Pump Comp., Lub. Oil Evacuation "optional Parts" |
| 2-41    | 104284-39710 | Pump Comp., Lub. Oil Evacuation "optional Parts" |
| 2-42    | 23010-012000 | Pipe, Evacuation 8x3000 "optional Parts"         |
| 2-43    | 23061-081000 | Clamp, Pipe 12 "optional Parts"                  |
|         |              | Pipe (Vinyl) 8x1000 "optional Parts"             |



\*パーツは単体販売致しません。  
\* MARK PARTS: NOT SOLD SEPARATELY.

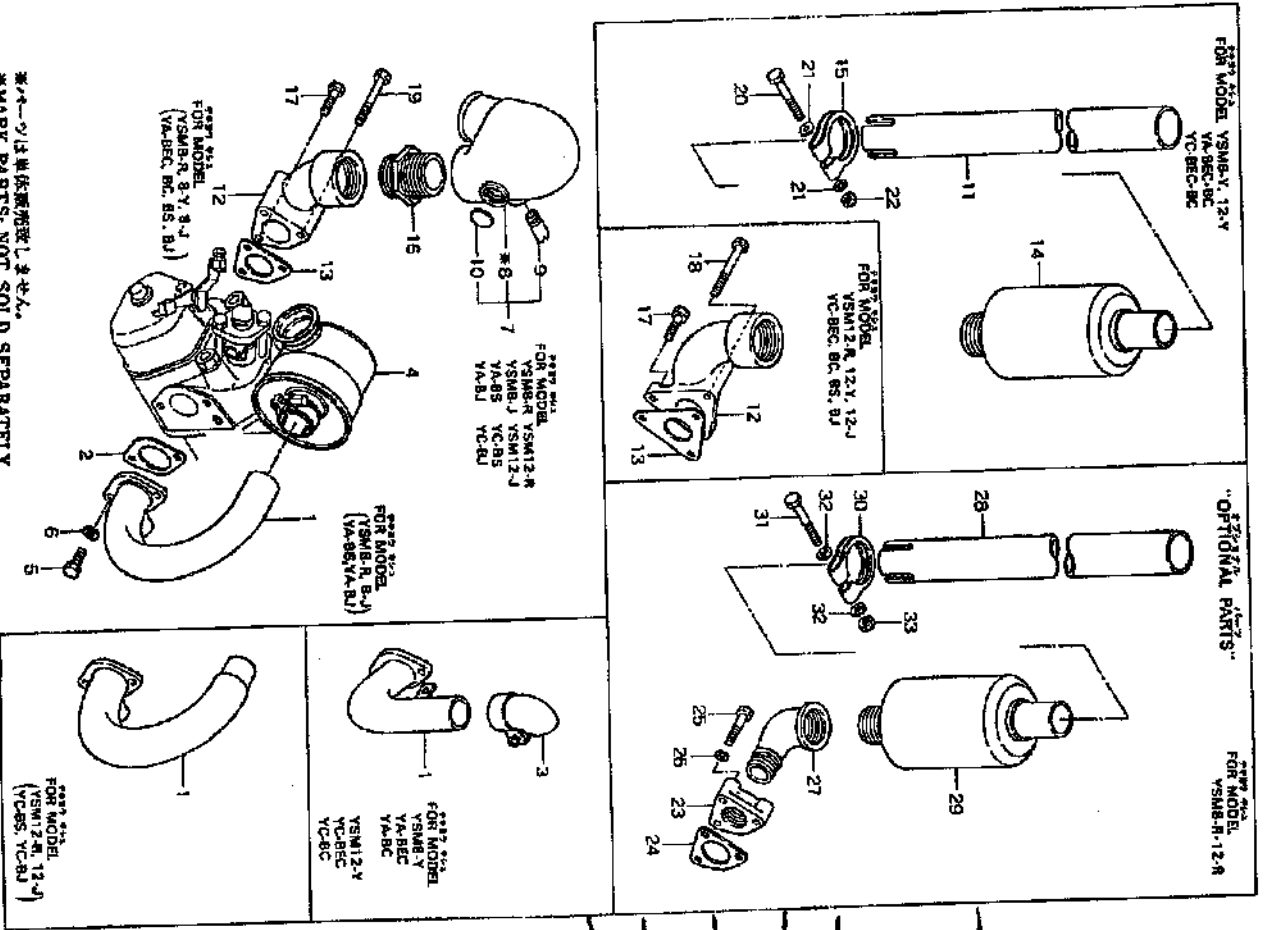
| N° Réf. | N° Pièce     | Désignation                            |
|---------|--------------|--|
| 3-1     | 704271-11700 | Head Assy, Cylinder                    |
| 3-1     | 704571-11700 | Head Assy, Cylinder                    |
| 3-2     | 104211-11100 | Head, Cylinder 124w-152l               |
| 3-2     | 104511-11100 | Head, Cylinder 136w-168l               |
| 3-3     | 104211-11110 | Suc. Valve 32d-94.8l                   |
| 3-3     | 104511-11110 | Suc. Valve 36.5d-111.5l                |
| 3-4     | 104211-11120 | Exh. Valve 27d-94.8l                   |
| 3-4     | 104511-11120 | Exh. Valve 30.5d-111.5l                |
| 3-5     | 124060-11160 | Spring, Suc./exh. Valve 27.70d-41l     |
| 3-5     | 105282-11160 | Spring, Suc./exh. Valve 24.20d-40l     |
| 3-5     | 124450-11160 | Guide, Suc. Valve 13d-49l              |
| 3-5     | 106582-11160 | Guide, Suc. Valve 13d-49l              |
| 3-6     | 124060-11170 | Guide, Exh. Valve 12d-40l              |
| 3-6     | 105282-11160 | Guide, Exh. Valve 12d-40l              |
| 3-6     | 124450-11170 | Guide, Exh. Valve 13d-49l              |
| 3-6     | 105582-11160 | Guide, Exh. Valve 13d-49l              |
| 3-7     | 104211-11180 | Retainer, Valve Spring 28d-11.2h       |
| 3-7     | 103338-11180 | Retainer, Valve Spring 23d-12h         |
| 3-8     | 101158-11180 | Cotter, Valve Spring 11d-9.5h          |
| 3-8     | 27310-07000  | Cotter, Valve Spring 11d-9.5h          |
| 3-8     | 103338-11190 | Cotter, Valve Spring 11.5d-11h         |
| 3-8     | 27310-08000  | Cotter, Valve Spring 11.5d-11h         |
| 3-9     | 104200-11350 | Stud, Valve Rocker Arm Support 10d-76l |
| 3-9     | 106100-11350 | Stud, Valve Rocker Arm Support 10d-78l |
| 3-9     | 104500-11350 | Stud, Valve Rocker Arm Support 10d-80l |
| 3-10    | 26216-080702 | Stud, Fuel Injection Valve M8x70       |
| 3-10    | 26216-080622 | Stud, Fuel Injection Valve M8x62       |
| 3-11    | 26176-080002 | Nut M8, Fuel Injection Valve           |
| 3-12    | 26736-100002 | Nut M10, Valve Rocker Arm Support      |
| 3-13    | 22351-080012 | Spring Pin, Support Rocker 80awx12     |
| 3-14    | 43600-500310 | Cock 3/8, Drain                        |
| 3-15    | 22351-040010 | Spring Pin, Bonnet 40awx10             |
| 3-16    | 704200-11850 | Arm Assy (suc), Rocker                 |
| 3-16    | 706500-11850 | Arm Assy (suc), Rocker                 |
| 3-17    | *            | Arm (suc), Rocker 62.5l                |
| 3-17    | *            | Arm (suc), Rocker 66l                  |
| 3-18    | *            | Bush, Suc. Rocker Arm 14od-14l         |
| 3-18    | *            | Bush, Suc. Rocker Arm 18od-17l         |
| 3-19    | 101158-11230 | Screw, Valve Clearance M8x30           |
| 3-20    | 26756-080002 | Nut, V. Clearance Adj.                 |
| 3-21    | 704211-11660 | Arm Assy (exh), Rocker                 |





\*マークは単体販売致しませぬ。  
\* MARK PARTS: NOT SOLD SEPARATELY.

| No Réf. | No Pièce     | Désignation                                      |
|---------|--------------|--|
| 3-21    | 704500-11690 | Arm Assy (exh.), Rocker Arm (exh.), Rocker 62.5I |
| 3-22    | *            | Arm (exh.), Rocker 66I                           |
| 3-23    | *            | Bush, Exh. Rocker Arm 140d-14I                   |
| 3-24    | 101158-11230 | Bush, Exh. Rocker Arm 180d-17I                   |
| 3-25    | 26756-080002 | Screw, Valve Clearance M8X30                     |
| 3-26    | 104200-11260 | Nut, V. Clearance Adj.                           |
| 3-26    | 104500-11260 | Support W/ball 35h-50I                           |
| 3-27    | *            | Support W/ball 40h-60I                           |
| 3-28    | 10421-11370  | Steel Ball 3/16                                  |
| 3-28    | 104511-11370 | Retainer, Valve Head 11d-3.9I                    |
| 3-29    | 104271-11420 | Retainer, Valve Head 12d-5I                      |
| 3-29    | 104571-11420 | Chamber (front) Assy, Precombustion              |
| 3-30    | *            | Chamber (front), Precombustion 28d-24I           |
| 3-30    | *            | Chamber (front), Precombustion 32d-28.5h         |
| 3-31    | *            | Pin, Front Pre-combus Chamber                    |
| 3-32    | 104200-11410 | Chamber (rear), Precombustion                    |
| 3-32    | 103438-11410 | Chamber (rear), Precombustion                    |
| 3-33    | 101204-11450 | Packing, For Chamber 28.50d-0.5I                 |
| 3-33    | 101704-11450 | Packing, For Chamber 31.80d-0.5I                 |
| 3-34    | 103854-11490 | Insulator, For Chamber 24.50d-1I                 |
| 3-35    | 101147-11900 | Flange, Fuel Injection Valve                     |
| 3-35    | 704211-11520 | Bonnet Assy                                      |
| 3-36    | 704511-11520 | Bonnet Assy                                      |
| 3-36    | *            | Bonnet 95.5w-117.5I                              |
| 3-37    | *            | Bonnet 98w-134.5I                                |
| 3-38    | 104200-11360 | Knob, Bonnet 22d-32I                             |
| 3-38    | 104200-11850 | O-ring, Knob 14.5d-1.5I                          |
| 3-39    | 22242-000140 | Clip, Knob 18.30d-1I                             |
| 3-40    | 104211-03740 | Lever Comp., Decomp.                             |
| 3-41    | *            | Lever, Decomp. 46w-60I                           |
| 3-42    | *            | • Fittings, Wire                                 |
| 3-43    | 26113-050128 | • Bolt M5x12, Decomp. Wire                       |
| 3-44    | 26753-050002 | • Lock Nut M5                                    |
| 3-45    | 104200-03600 | Shaft, Decomp.                                   |
| 3-46    | 104200-03641 | Spring, Decomp. 1320d-24I                        |
| 3-47    | 22312-030180 | Parallel Pin 3x18                                |
| 3-48    | 22322-030160 | Taper Pin 3x16                                   |
| 3-49    | 24311-000070 | O-ring 1a P7.0                                   |
| 3-50    | 104200-11310 | Packing, Bonnet 117.5I-95.5w                     |
| 3-50    | 104500-11310 | Packing, Bonnet 134.5I-98w                       |
| 3-51    | 104214-03700 | Wire W/botton, Decomp. 3000I                     |



| N° Réf. | N° Pièce     | Désignation                               |
|---------|--------------|---|
| 4-1     | 104271-12010 | Pipe, Air Intake 38, 1d-217,5l            |
| 4-1     | 104571-12010 | Pipe, Air Intake 42, 7d-233,4l            |
| 4-1     | 104271-12030 | Pipe, Air Intake 38, 1d-188l              |
| 4-1     | 104571-12030 | Pipe, Air Intake 42, 7d-192l              |
| 4-2     | 104211-12100 | Packing, Intake Pipe                      |
| 4-2     | 104511-12100 | Packing, Intake Pipe                      |
| 4-3     | 104211-12110 | Elbow, Intake Pipe 75l                    |
| 4-3     | 104511-12110 | Elbow, Intake Pipe 75l                    |
| 4-4     | 104271-12520 | Silencer, Air Intake 109d-113h            |
| 4-4     | 26117-080189 | Bolt M8x18                                |
| 4-5     | 22217-080000 | Spring Washer 8                           |
| 4-6     | 22217-080000 | Elbow Comp., Water Mixing                 |
| 4-7     | 104214-13521 | Mixing Elbow 17                           |
| 4-8     |              | Joint 17, Pipe                            |
| 4-9     | 124223-48300 | Plug 25                                   |
| 4-10    | 27233-250000 | Pipe, Exh. 43d-545l                       |
| 4-11    | 104211-13060 | Elbow, Exh. 130h-pt 1-1/2                 |
| 4-12    | 104211-13070 | Elbow, Exh. 146h-pt 1-1/2                 |
| 4-12    | 104511-13070 | Gasket, Silencer 70L-2l                   |
| 4-13    | 104211-13200 | Gasket, Silencer 87l-2l                   |
| 4-13    | 104500-13200 | Silencer 100d-245l                        |
| 4-14    | 104211-13530 | Clamp 61d-14l                             |
| 4-15    | 104211-13560 | Joint, Mixing Elbow                       |
| 4-16    | 104214-13560 | Joint, Mixing Elbow                       |
| 4-16    | 104211-13600 | Bolt M8x30                                |
| 4-17    | 104271-13910 | Bolt M8x70                                |
| 4-17    | 104271-13910 | Bolt M8x30                                |
| 4-18    | 104571-13910 | Bolt M8x70                                |
| 4-19    | 104271-13920 | Bolt M8x60                                |
| 4-20    | 26116-080602 | Washer 8                                  |
| 4-21    | 22117-080000 | Nut M8                                    |
| 4-22    | 26716-080002 | Flange, Exh. "optional Parts"             |
| 4-23    | 104214-13540 | Flange, Exh. "optional Parts"             |
| 4-23    | 104511-13540 | Gasket 70L-2l "optional Parts"            |
| 4-24    | 104211-13200 | Gasket 87l-2l "optional Parts"            |
| 4-24    | 104500-13200 | Gasket 87l-2l "optional Parts"            |
| 4-25    | 26113-080402 | Bolt M8x40 "optional Parts"               |
| 4-25    | 26113-080502 | Bolt M8x50 "optional Parts"               |
| 4-26    | 22217-080000 | Spring Washer 8 "optional Parts"          |
| 4-27    | 23114-141000 | Elbow, Exh. "optional Parts"              |
| 4-27    | 23112-140000 | Elbow, Exh. "optional Parts"              |
| 4-28    | 104211-13060 | Exh. Pipe 43d-545l "optional Parts"       |
| 4-29    | 104211-13530 | Silencer 100d-245l "optional Parts"       |
| 4-30    | 104211-13580 | Clamp, Exh. Pipe 61d-14l "optional Parts" |
| 4-31    | 26116-080602 | Bolt M8x60 "optional Parts"               |
| 4-32    | 22137-080000 | Washer 8 "optional Parts"                 |
| 4-33    | 26716-080002 | Nut M8 "optional Parts"                   |

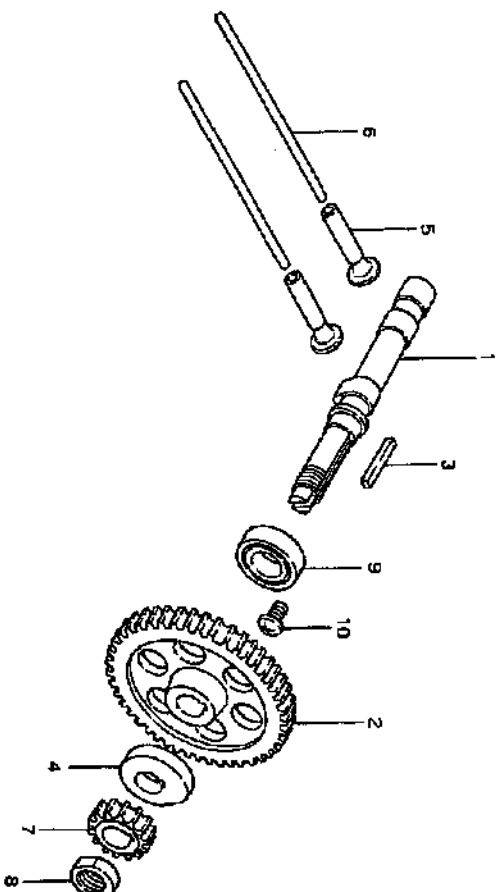
FOR MODELS YSM-B, Y, 12-Y  
YA-BEC, BC, BS, BU

FOR MODELS YSM-R, 12-R  
YA-BE, YA-BC, YA-BU

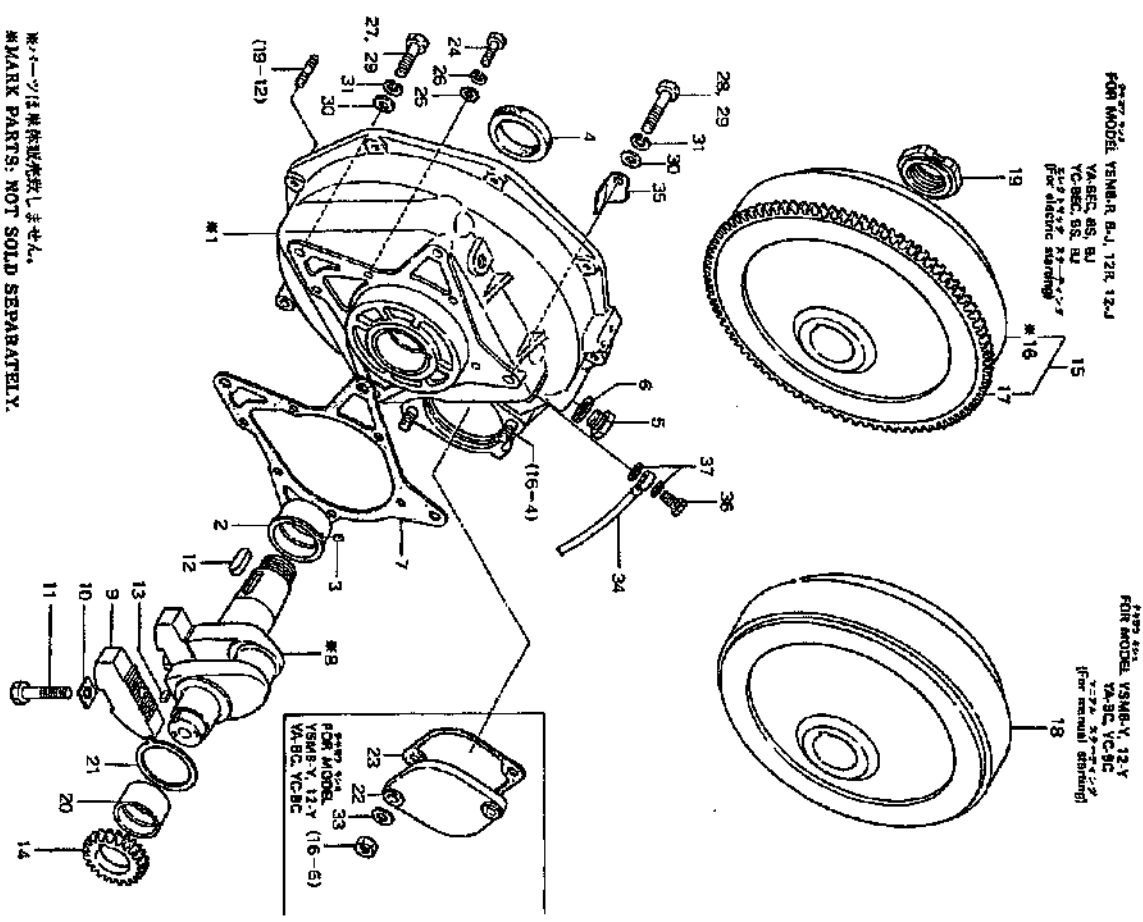
FOR MODELS YSM-B, Y, 12-Y  
YA-BE, YA-BC, YA-BU

FOR MODELS YSM-R, 12-R  
YA-BE, YA-BC, YA-BU

FOR MODELS YSM-R, 12-R  
YA-BE, YA-BC, YA-BU



| N° Réf. | N° Pièce     | Désignation                     |
|---------|--------------|---------------------------------|
| 5-1     | 104200-14010 | Camshaft 190l                   |
| 5-1     | 104500-14010 | Camshaft 212l                   |
| 5-2     | 104200-14100 | Gear, Camshaft 1204-25t         |
| 5-2     | 104500-14100 | Gear, Camshaft 1404-25t         |
| 5-3     | 103338-14190 | Key, Cam Gear 5w-38l            |
| 5-3     | 103338-14190 | Key, Cam Gear 5w-35l            |
| 5-3     | 174100-14190 | Cam, Fuel Injection 9t          |
| 5-4     | 104271-14090 | Cam, Fuel Injection 9t          |
| 5-4     | 104571-14090 | Cam, Fuel Injection 9t          |
| 5-5     | 104200-14200 | Tappet 26d-54l                  |
| 5-5     | 103338-14200 | Tappet 26d-67l                  |
| 5-6     | 104200-14400 | Push Rod 6d-170l                |
| 5-6     | 104500-14400 | Push Rod 7d-201l                |
| 5-7     | 104500-76401 | Gear, Driven Starting 40.5d-13t |
| 5-7     | 104500-76400 | Gear, Driven Starting 54d-12t   |
| 5-8     | 104300-76460 | Nut, Start Driven Gear 18t      |
| 5-9     | 24101-060044 | Ball Bearing 6004               |
| 5-9     | 24101-060064 | Ball Bearing 6006               |
| 5-10    | 26587-080122 | Band Screw M18x12               |



| N° Réf. | N° Pièce       | Désignation                           |
|---------|----------------|---------------------------------------|
| 6-1     | 704271-02500   | Flange Assy, Mounting                 |
| 6-2     | 704571-02500   | Flange Assy, Mounting                 |
| 6-3     | 104200-02120   | Flange, Mounting 346h-126w            |
| 6-4     | 103339-02120   | Flange, Mounting 376h-136 5w          |
| 6-5     | 102109-02190   | Main Bearing, Flywheel Side 60d-27.5w |
| 6-6     | 104211-02220   | Main Bearing, Flywheel Side 70d-30w   |
| 6-7     | 104511-02220   | Pin, Main Bearing Locker 3.5d-3.5l    |
| 6-8     | 23983-180002   | Oil Seal 60d-9t                       |
| 6-9     | 43400-500510   | Packing 8                             |
| 6-10    | 23414-180023   | Seal Washer 18                        |
| 6-11    |                | Packing 8                             |
| 6-12    |                | Stud M10x22                           |
| 6-13    | (26226-100222) | Stud M8x25                            |
| 6-14    | (26226-080252) | Packing, Mounting Flange 183w-209l    |
| 6-15    | 104211-02020   | Packing, Mounting Flange 195w-223l    |
| 6-16    | 104511-02020   | Crankshaft Assy                       |
| 6-17    | 704264-21700   | Crankshaft Assy                       |
| 6-18    | 704564-21700   | Crankshaft Assy                       |
| 6-19    |                | Crankshaft                            |
| 6-20    |                | Crankshaft                            |
| 6-21    |                | Weight, Balance                       |
| 6-22    | 105282-21100   | Weight, Balance                       |
| 6-23    | 105582-21100   | Washer, Balance Weight 23w-26l        |
| 6-24    | 103338-21140   | Bolt, Balance Weight M10x45           |
| 6-25    | 26152-100451   | Key, Flywheel 10w-30l                 |
| 6-26    | 22512-100300   | Key, Flywheel 8w-35l                  |
| 6-27    | 103339-21190   | Key, Crank Gear 5w-10l                |
| 6-28    | 101158-21290   | Key, Crank Gear 7w-13.5l              |
| 6-29    | 101300-21290   | Gear, Crankshaft 72.5d-16t            |
| 6-30    | 104211-21200   | Flywheel W/ring Gear Comp.            |
| 6-31    | 104511-21200   | Flywheel W/ring Gear Comp.            |
| 6-32    | 104264-21591   | Flywheel W/ring Gear Comp.            |
| 6-33    | 104564-21591   | Flywheel W/ring Gear Comp.            |
| 6-34    | 104214-21590   | Flywheel W/ring Gear Comp.            |
| 6-35    | 104514-21590   | Flywheel W/ring Gear Comp.            |
| 6-36    |                | Flywheel 270d-97w                     |
| 6-37    |                | Flywheel 300d-108w                    |
| 6-38    |                | Flywheel 290d-97w                     |
| 6-39    |                | Flywheel 318d-108w                    |
| 6-40    |                | Flywheel 290d-97w                     |
| 6-41    |                | Flywheel 318d-108w                    |
| 6-42    |                | Ring Gear 293.8d-10t, Z=114           |
| 6-43    |                | Ring Gear 324.3d-10t, Z=126           |
| 6-44    |                | Flywheel 270d-97w                     |
| 6-45    |                | Flywheel 290d-97w                     |
| 6-46    |                | Flywheel 300d-108w                    |
| 6-47    |                | Flywheel 318d-108w                    |
| 6-48    |                | End Nut                               |
| 6-49    |                | Main Bearing 48d-25w                  |
| 6-50    |                | Main Bearing 57d-27.5w                |
| 6-51    |                | Thrust Bearing 59d-2.5t               |

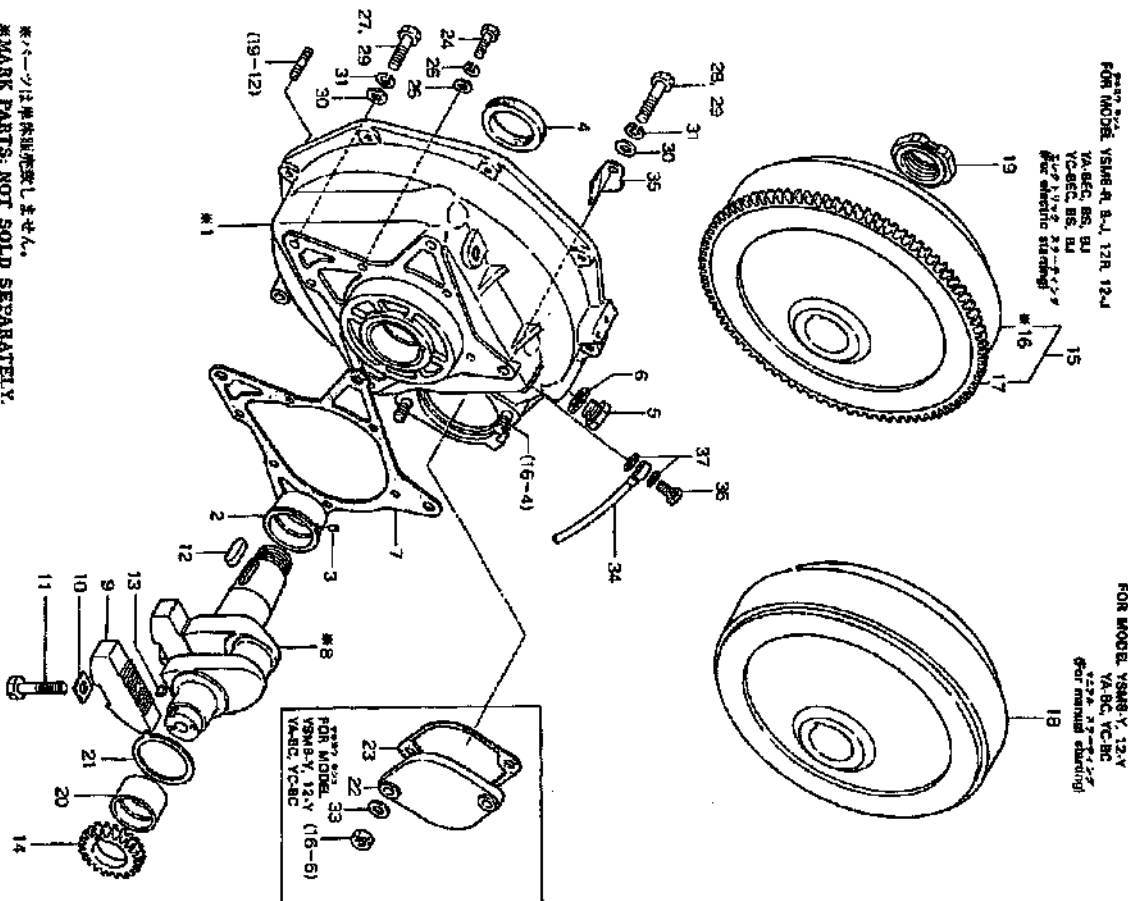
\*マークは単体販売致しません。  
\*MARK PARTS: NOT SOLD SEPARATELY.

MAIN BEARING & CRANKSHAFT

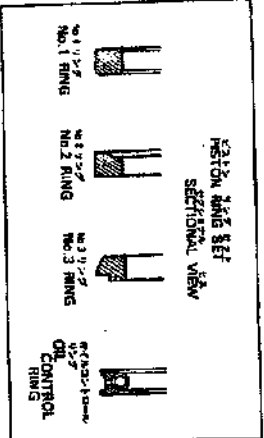
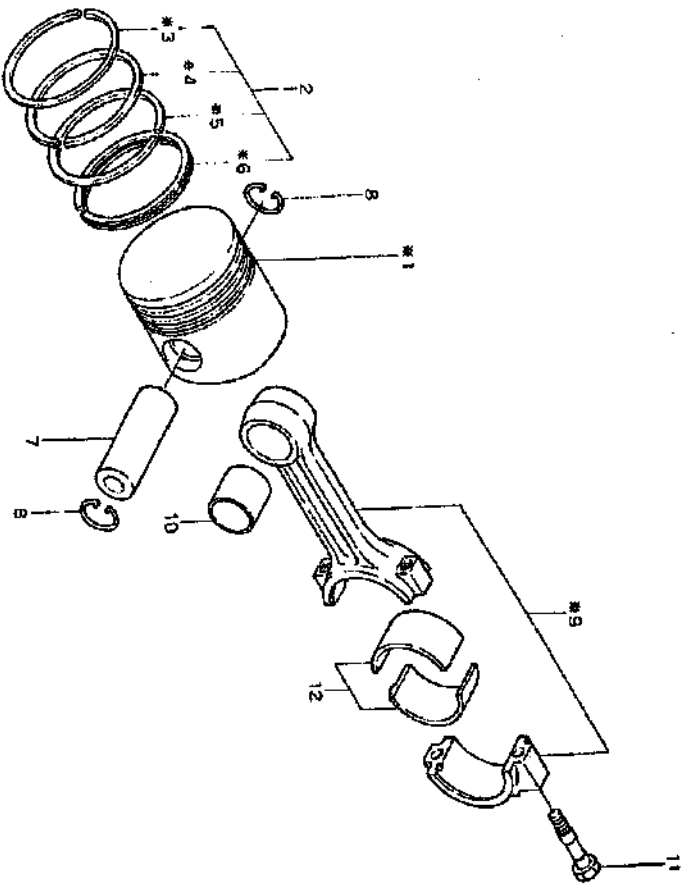
N° Réf. N° Pièce

Désignation

|      |                |                                |
|------|----------------|--------------------------------|
| 6-21 | 104500-02110   | Thrust Bearing 70d-2 St        |
| 6-22 | 104211-02310   | Cover, Blind 134i-11t          |
| 6-23 | 104211-77080   | Packing, Blind Cover 134i-0.3t |
| 6-24 | 26116-080252   | Bolt M8x25                     |
| 6-25 | 22117-080000   | Washer 8                       |
| 6-26 | 22217-080000   | Spring Washer 8                |
| 6-27 | 26116-100352   | Bolt M10x25                    |
| 6-28 | 26116-100452   | Bolt M10x45                    |
| 6-29 | 26116-100402   | Bolt M10x40                    |
| 6-30 | 22117-100000   | Washer 10                      |
| 6-31 | 22217-100000   | Spring Washer 10               |
| 16-6 | (26716-100002) | Nut M10                        |
| 6-33 | 22117-100000   | Washer 10                      |
| 6-34 | 104211-02880   | Pipe Comp., Breather           |
| 6-35 | 104211-02860   | Plate, Baffle 20w-50i          |
| 6-35 | 104511-02860   | Plate, Baffle 14w-50i          |
| 6-36 | 101147-59810   | Bolt 8, Pipe Joint             |
| 6-37 | 23414-080012   | Packing 8                      |

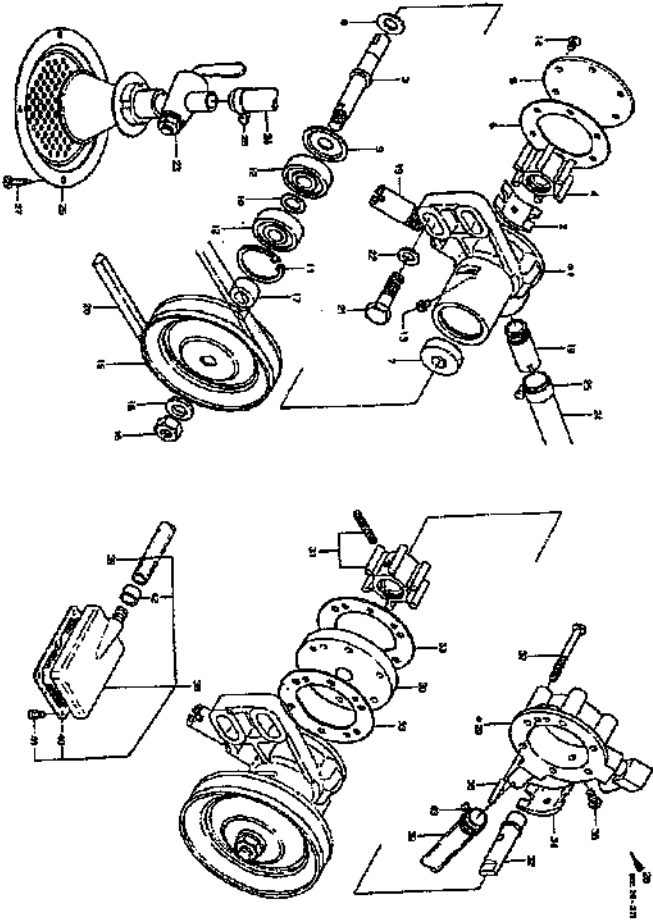


\*パーツは単体販売致しません。  
\*MARK PARTS: NOT SOLD SEPARATELY.

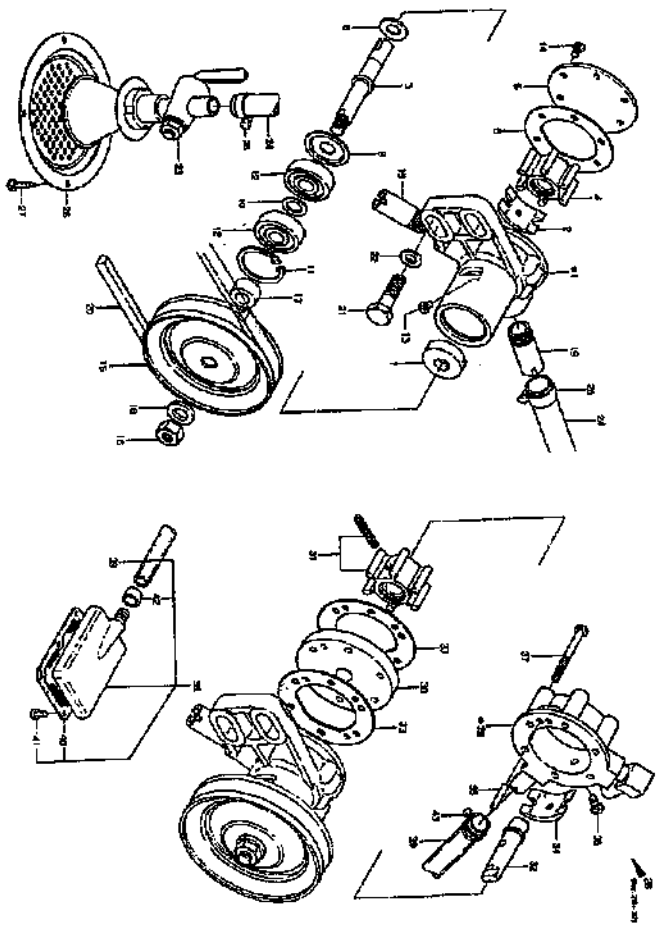


| N° Réf. | N° Pièce     | Designation                   |
|---------|--------------|-------------------------------|
| 7-1     | 724070-22720 | Piston W/ring                 |
| 7-1     | 704571-22720 | Piston W/ring                 |
| 7-1     | *            | Piston                        |
| 7-2     | 724070-22500 | Piston Ring Set, Piston       |
| 7-2     | 704571-22500 | Ring Set, Piston              |
| 7-3     | *            | Piston Ring No.1              |
| 7-3     | *            | Piston Ring No.1              |
| 7-4     | *            | Piston Ring No.2              |
| 7-4     | *            | Piston Ring No.2              |
| 7-5     | *            | Piston Ring No.3              |
| 7-5     | *            | Piston Ring No.3              |
| 7-6     | *            | Piston Ring, Oil Control      |
| 7-6     | *            | Piston Ring, Oil Control      |
| 7-7     | 104200-22300 | Pin, Piston 23d-63l           |
| 7-7     | 103438-22300 | Pin, Piston 28d-71l           |
| 7-8     | 172100-22400 | Pin, Piston 24.5d-1.4l        |
| 7-8     | 124250-22400 | Circclip, Piston Pin 30d-1.4l |
| 7-8     | 704200-23100 | Connecting Rod Assy           |
| 7-8     | 704500-23100 | Connecting Rod Assy           |
| 7-9     | *            | Connecting Rod 180.5l         |
| 7-9     | *            | Connecting Rod 219.5l         |
| 7-10    | 104200-23100 | Bush, Piston Pin 25d-27w      |
| 7-10    | 103438-23100 | Bush, Piston Pin 31d-31w      |
| 7-11    | 104200-23201 | Bolt, Connecting Rod 46.5l    |
| 7-11    | 104500-23201 | Bolt, Connecting Rod 59.5l    |
| 7-12    | 104200-23340 | Bearing, Crankpin 45d-26w     |
| 7-12    | 103338-23300 | Bearing, Crankpin 49d-28w     |

\*マークは別体販売品です。  
\* MARK PARTS: NOT SOLD SEPARATELY.

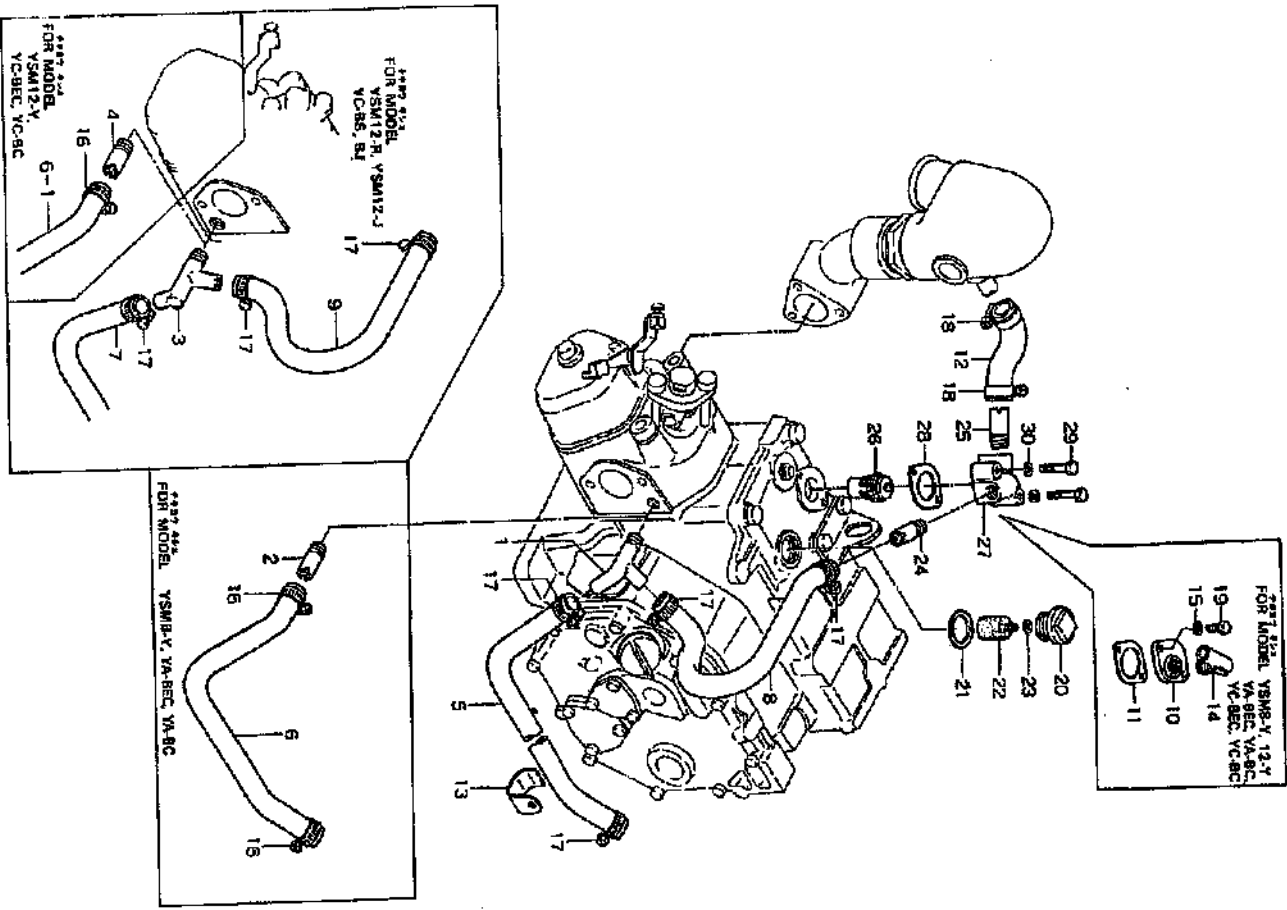


| N° Réf. | N° Pièce     | Désignation  |
|---------|--------------|--|
| 8-1     | 104271-42000 | C.W. Pump Assy   |
| 8-2     | 104211-42050 | Body, Pump   |
| 8-3     | 124070-42060 | Cam 18.9i-2.5t   |
| 8-4     | 104211-42070 | Shaft, Pump 15d-771                                    |
| 8-5     | 104211-42080 | Impeller, Pump 39.7d-19w                               |
| 8-6     | 104211-42090 | Cover, Pump 58d-2.3t                                   |
| 8-7     | 104211-42100 | Packing, Pump Cover 58d-0.3t                           |
| 8-8     | 104211-42110 | Oil Seal 1c10x25x7                                     |
| 8-9     | 104211-42120 | Plate, Water Shield 18d-2t                             |
| 8-10    | 104211-42130 | Cover, Bearing 30d-1t                                  |
| 8-11    | 22252-000300 | Spacer 16d-1t  |
| 8-12    | 24107-062004 | Circclip 30  |
| 8-13    | 26554-040062 | Bearing 6200ZZ   |
| 8-14    | 26554-040082 | Screw M4x6   |
| 8-15    | 124070-42400 | Screw M4x6   |
| 8-16    | 26347-090002 | Pulley, C.W. Pump 90d-18w                              |
| 8-17    | 124070-42410 | Nut M8   |
| 8-18    | 124070-42420 | Spacer, Pump Pulley 18d-8t                             |
| 8-19    | 104211-49050 | Washer, Pump Pulley 18d-2.3d                           |
| 8-20    | 104211-49060 | Joint Pt1/4, Pipe                                      |
| 8-21    | 104511-78780 | Joint Pt1/4, Pipe                                      |
| 8-22    | 26117-080309 | V-belt Hm19 Inch                                       |
| 8-23    | 22137-090090 | Bolt M8x30   |
| 8-24    | 43662-010020 | Washer 8   |
| 8-25    | 104211-49080 | Cock Comp., Kingston 1411                              |
| 8-26    | 23000-022000 | Pipe, C.W. (Kingston Cock~water Pump)                  |
| 8-27    | 43666-020951 | Clamp 22, C.W. Pipe                                    |
| 8-28    | 22724-800380 | Cover, Strainer  |
| 8-29    | 22724-800390 | Cover, Strainer  |
| 8-30    | 43662-010020 | Screw 8x38   |
| 8-31    | 104211-49080 | Cock Comp., Kingston "optional Parts"                  |
| 8-32    | 23000-022000 | Pipe, C.W. (Kingston Cock~water Pump) "optional Parts" |
| 8-33    | 43666-020951 | Clamp 22, C.W. Pipe "optional Parts"                   |
| 8-34    | 22724-800380 | Cover, Strainer "optional Parts"                       |
| 8-35    | 22724-800390 | Cover, Strainer "optional Parts"                       |
| 8-36    | 104211-42050 | Pump Comp., Bilge "optional Parts"                     |
| 8-37    | 104211-42090 | Body, Bilge Pump "optional Parts"                      |
| 8-38    | 104211-42100 | Wear Plate "optional Parts"                            |
| 8-39    | 104211-42110 | Impeller "optional Parts"                              |
| 8-40    | 104211-42120 | Shaft, Bilge Pump "optional Parts"                     |
| 8-41    | 104211-42130 | Packing, Wear Plate "optional Parts"                   |
| 8-42    | 26554-040122 | Parallel Pin 3x1.4 "optional Parts"                    |
| 8-43    | 26554-040382 | Screw M4x12 "optional Parts"                           |
|         | 123220-46910 | Screw M4x38 "optional Parts"                           |
|         | 124223-46140 | Strainer Assy, Bilge "optional Parts"                  |
|         | 123220-46920 | Pipe (Vinyl), Bilge "optional Parts"                   |
|         | 26554-060102 | Strainer "optional Parts"                              |
|         | 123220-46951 | Screw M6x10 "optional Parts"                           |
|         | 23010-015000 | Cap, Pipe "optional Parts"                             |
|         |              | Clamp 15, Bilge Pipe "optional Parts"                  |



| N° Réf. | N° Pièce       | Désignation                       |
|---------|----------------|-----------------------------------|
| 6-22    | 104211-02310   | Cover, Blind 134-11               |
| 6-23    | 104211-77080   | Packing, Blind Cover 134-0.3t     |
| 6-24    | 26116-080252   | Bolt M8x25                        |
| 6-25    | 22117-080000   | Washer 8                          |
| 6-26    | 22217-080000   | Spring Washer 8                   |
| 6-27    | 26116-100352   | Bolt M10x25                       |
| 6-28    | 26116-100452   | Bolt M10x45                       |
| 6-29    | 26116-100402   | Bolt M10x40                       |
| 6-30    | 22117-100000   | Washer 10                         |
| 6-31    | 22217-100000   | Spring Washer 10                  |
| 16-6    | (26718-100002) | Nut M10                           |
| 6-33    | 22117-100000   | Washer 10                         |
| 6-34    | 104211-02880   | Pipe Comp., Breather              |
| 6-35    | 104211-02860   | Plate, Baffle 20w-50l             |
| 6-36    | 104511-02860   | Plate, Baffle 14w-50l             |
| 6-37    | 101147-59810   | Bolt 8, Pipe Joint                |
| 3-35    | 23414-080012   | Packing 8                         |
| 3-36    | 704511-11520   | Bonnet Assy                       |
| 3-37    | 104200-11360   | Bonnet 95.5w-117.5l               |
| 3-38    | 104200-11850   | Bonnet 98w-134.5l                 |
| 3-39    | 22242-000140   | Knob, Bonnet 22d-32l              |
| 3-40    | 104211-03740   | O-ring, Knob 14.5d-1.5l           |
| 3-41    | *              | Circlep 14, Bonnet Knob 18.3od-11 |
| 3-42    | *              | Lever Comp., Decomp.              |
| 3-43    | 26113-050128   | • Lever, Decomp, 46w-80l          |
| 3-44    | 26753-050002   | • Fittings, Wire                  |
| 3-45    | 104200-03600   | • Bolt M5x12, Decomp, Wire        |
| 3-46    | 104200-03641   | • Lock Nut M5                     |
| 3-47    | 22312-030180   | Shaft, Decomp.                    |
| 3-48    | 22322-030160   | Spring, Decomp, 132od-24l         |
| 3-49    | 24311-000070   | Parallel Pin 3x18                 |
| 3-50    | 104200-11310   | Taper Pin 3x16                    |
| 3-51    | 104500-11310   | O-ring 1a P7.0                    |
|         | 104214-03700   | Packing, Bonnet 117.5l-95.5w      |
|         |                | Packing, Bonnet 134.5l-98w        |
|         |                | Wire W/boction, Decomp, 3000l     |





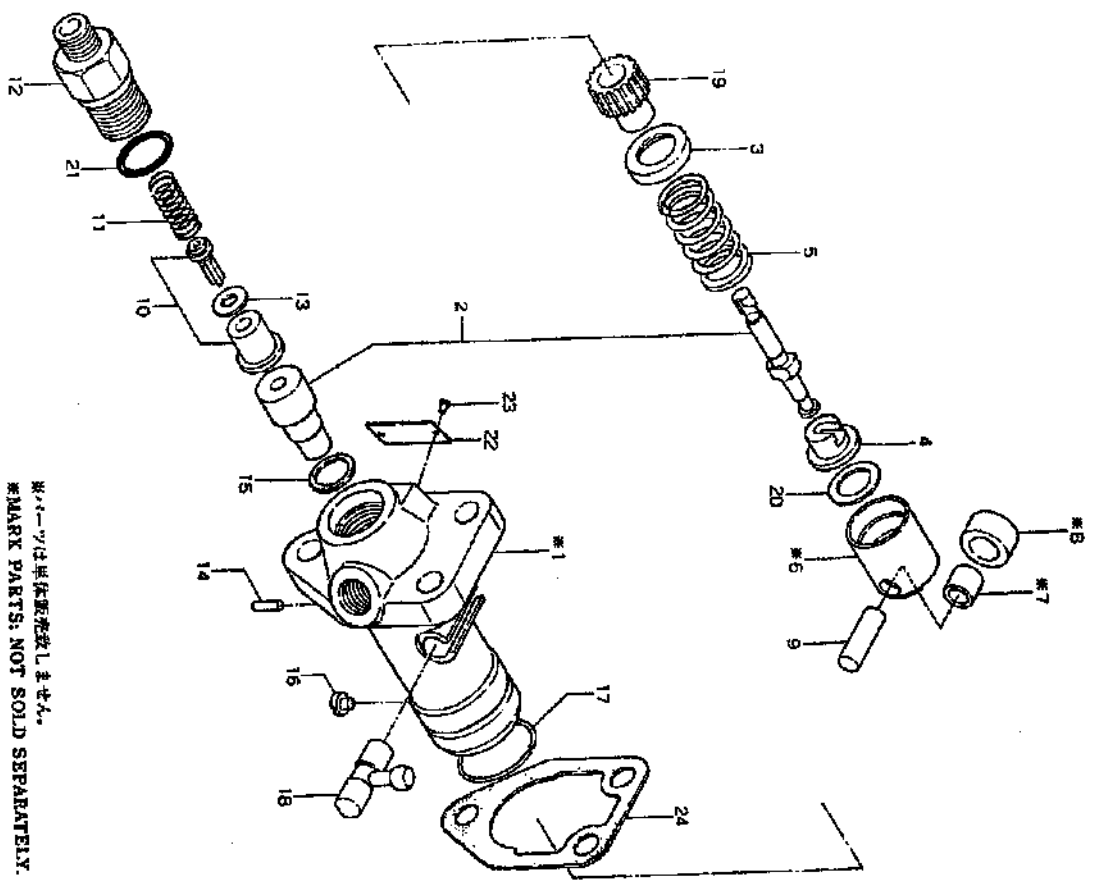
| N° Réf. | N° Piece     | Désignation                                 |
|---------|--------------|---|
| 9-1     | 104271-49090 | 3-way Joint                                 |
| 9-2     | 104211-49090 | Joint Pt1/4, Pipe                           |
| 9-3     | 104571-49090 | 3-way Joint 13.8d-80I                       |
| 9-4     | 104511-49060 | Joint Pt3/8, Pipe                           |
| 9-5     | 104271-49100 | Pipe (a), C.w. (c.w. Pump-3-way Joint) 470I |
| 9-6     | 104571-49100 | Pipe (b), C.w. (c.w. Pump-cyl. Head) 510I   |
| 9-6-1   | 104571-49120 | Pipe (a), C.w. (c.w. Pump-cyl. Head) 570I   |
| 9-7     | 104571-49100 | Pipe (a), C.w. (c.w. Pump-3-way Joint) 510I |
| 9-8     | 104571-49110 | Pipe (b), C.w. (3-way Joint-thermostat)     |
| 9-9     | 104271-49150 | Flange, Outlet 56I-11I                      |
| 9-10    | 104211-49160 | Packing, Flange 56I-0.5I                    |
| 9-11    | 104284-49210 | Pipe (d), C.w. (thermostat-mix. Elbow)      |
| 9-12    | 104264-49210 | Pipe (b), C.w. (thermostat-mix. Elbow)      |
| 9-12    | 104584-49210 | Pipe (d), C.w. (thermostat-mix. Elbow)      |
| 9-12    | 104573-49210 | Pipe (d), C.w. (thermostat-mix. Elbow)      |
| 9-13    | 104271-49310 | Clamp, C.w. Pipe                            |
| 9-14    | 105583-49910 | Elbow Pt1/4                                 |
| 9-15    | 22217-060000 | Spring Washer 6                             |
| 9-16    | 23000-022000 | Clamp 22                                    |
| 9-17    | 23000-022000 | Clamp 22                                    |
| 9-18    | 23000-025000 | Clamp 25                                    |
| 9-19    | 26116-060162 | Bolt M6x16                                  |
| 9-20    | 124220-09320 | Plug M25                                    |
| 9-21    | 23414-250031 | Packing 25                                  |
| 9-22    | 27210-200900 | Anticorrosive Zinc 20K30                    |
| 9-23    | 123210-09310 | Packing, Anticorrosive Zinc                 |
| 9-24    | 104211-49060 | Joint Pt1/4, Pipe                           |
| 9-25    | 124223-49300 | Joint 17, Pipe                              |
| 9-26    | 105582-49200 | Thermostat 27.34I-38I                       |
| 9-27    | 104264-49150 | Cover, Thermostat 56I                       |
| 9-28    | 104211-49160 | Packing, Thermo. Cover 56I-0.5I             |
| 9-29    | 26116-060302 | Bolt M6x30                                  |
| 9-30    | 22217-060000 | Spring Washer 6                             |

FUEL INJECTION PUMP

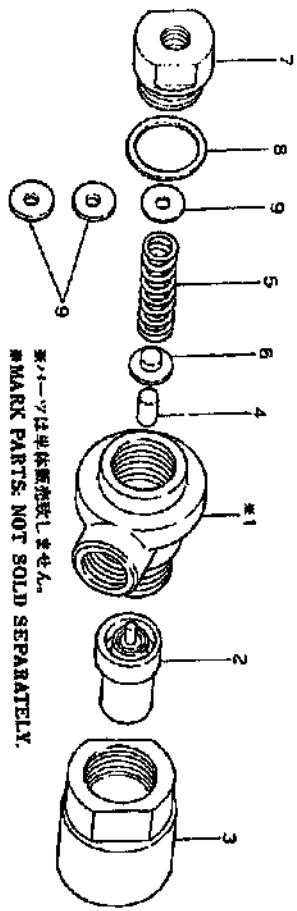
N° Réf. N° Pièce

Désignation

|       |              |  |
|-------|--------------|--|
| 10-1  | 704271-51700 | Pump Assy, Fuel Injection              |
| 10-2  | 704571-51700 | Pump Assy, Fuel Injection              |
| 10-2  | 104271-51100 | Body, Fuel Injection Pump 16L-48W      |
| 10-2  | 104571-51100 | Plunger (w/barrel) Comp. 15.9/64-53.81 |
| 10-3  | 174307-51170 | Plunger (w/barrel) Comp. 15.9/64-53.81 |
| 10-4  | 174307-51180 | Retainer (a), Plunger Spring 22d-4t    |
| 10-4  | 174307-51181 | Retainer (b), Plunger Spring 19d       |
| 10-5  | 124950-51190 | Spring, Plunger 19d                    |
| 10-5  | 724550-51520 | Guide Assy, Plunger                    |
| 10-6  | 711100-51540 | Guide, Plunger                         |
| 10-6  | *            | Roller Set, Plunger Guide              |
| 10-7  | *            | Roller (inner) 10d-9w                  |
| 10-7  | *            | Roller (outer) 15d-9w                  |
| 10-8  | *            | Pin, Plunger Guide Roller 7d-21.5l     |
| 10-9  | 174100-54120 | Valve W/seat, Delivery                 |
| 10-10 | 124060-51300 | Spring, Delivery Valve                 |
| 10-11 | 124550-51320 | Holder, Spring                         |
| 10-12 | 124550-51341 | Packing, Delivery Valve                |
| 10-13 | 124550-51350 | Pin, Plunger Barrel                    |
| 10-14 | 103854-51251 | Packing, Plunger Barrel                |
| 10-15 | 124950-51270 | Stopper, Plunger Guide 6d-5.3w         |
| 10-16 | 104271-51450 | Clip 30.9d                             |
| 10-17 | 104271-51460 | Rack Comp., Fuel Control               |
| 10-18 | 104271-51500 | Pin, Rack                              |
| 10-18 | *            | Lock, Rack Pin                         |
| 10-18 | *            | Body, Rack 6d-27l                      |
| 10-18 | *            | Pinion, Fuel Control                   |
| 10-19 | 124950-51510 | Shim Set, Adj. Plunger                 |
| 10-20 | 174307-51700 | Shim (t=0.1)                           |
| 10-20 | *            | Shim (t=0.2)                           |
| 10-20 | *            | O-ring, Delivery Valve                 |
| 10-21 | 124550-51370 | Label, Fuel Injection Pump             |
| 10-22 | 104271-51920 | Label, Fuel Injection Pump             |
| 10-22 | 104571-51920 | Label, Fuel Injection Pump             |
| 10-23 | 124220-51890 | Rivet, Name Plate                      |
| 10-24 | 104271-01950 | Shim Set                               |
| 10-24 | *            | Shim 0.3 73l                           |
| 10-24 | *            | Shim 0.2 73l                           |



\*マークは単体販売致しません。  
\*MARK PARTS: NOT SOLD SEPARATELY.



| N° Réf. | N° Pièce     | Désignation                            |
|---------|--------------|--|
| 11-1    | 724060-53101 | Valve Assy, Fuel Injection             |
| 11-2    | 704571-53100 | Valve Assy, Fuel Injection             |
| 11-3    | 124770-53000 | Body, Fuel Injection Valve 33.5w-4.5l  |
| 11-3    | 104200-53080 | Valve W/case                           |
| 11-3    | 104500-53080 | Holder, Fuel Injection Valve 29d-38.5l |
| 11-4    | 113200-53110 | Holder, Fuel Injection Valve 32d-38l   |
| 11-4    | 103854-53120 | Spindle, Inter 5d-10.5l                |
| 11-5    | 113200-53120 | Spring, Valve 10.5d-30l                |
| 11-6    | 113200-53120 | Holder, Valve Spring 11d-6w            |
| 11-7    | 103854-53180 | Case, Valve Spring 22s-20w             |
| 11-8    | 172100-53200 | Packing, Valve Spring Case 22d-0.5l    |
| 11-9    | 110250-53150 | Shim Set                               |
| 11-9    | *            | .. Shim 11.5d-0.1t                     |
| 11-9    | *            | .. Shim 11.5d-0.2t                     |
| 11-9    | *            | .. Shim 11.5d-0.3t                     |
| 11-9    | *            | .. Shim 11.5d-0.5t                     |

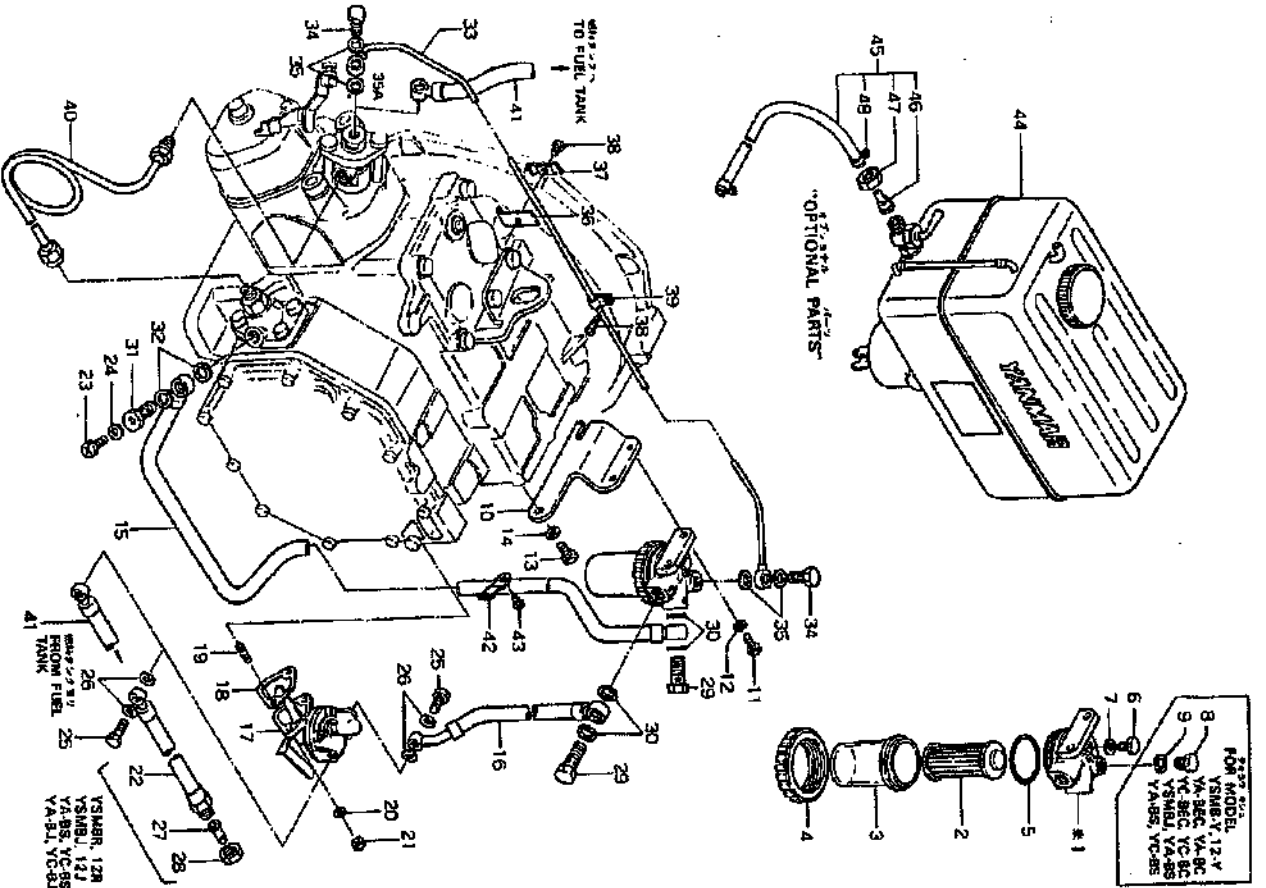
| N° Ref. | N° pièce     | Désignation                                      |
|---------|--------------|--|
| 12-1    | 104500-55710 | Strainer Comp., Fuel Oil                         |
| 12-2    | 121370-55601 | Strainer Comp., Fuel Oil                         |
| 12-3    | 121370-55730 | Strainer Comp., Fuel Oil                         |
| 12-4    | 110250-55610 | Body, Fuel Oil Strainer                          |
| 12-5    | 102103-55520 | Element, F.o. Strainer                           |
| 12-5    | 24341-000440 | Bowl, F.o. Strainer                              |
| 12-6    | 101720-55750 | Retainer, Bowl                                   |
| 12-7    | 23418-080000 | O-ring   |
| 12-8    | 124790-55770 | O-ring   |
| 12-8    | 124790-55770 | Plug, Air Vent                                   |
| 12-9    | 23414-080012 | Packing 6, Air Vent Plug                         |
| 12-10   | 104271-55880 | Plug M8  |
| 12-11   | 26116-060142 | Packing 8  |
| 12-12   | 22217-060000 | Bracket, F.o. Strainer 1251-62w                  |
| 12-13   | 26116-080162 | Bolt M6x14                                       |
| 12-14   | 22117-080000 | Spring Washer 6                                  |
| 12-14   | 104271-59070 | Bolt M8x16                                       |
| 12-15   | 104264-59070 | Washer 8   |
| 12-15   | 104564-59070 | Pipe (a), F.o. Strainer-f.o. Injection Pump 775l |
| 12-15   | 104564-59070 | Pipe (a), F.o. Strainer-f.o. Injection Pump 553l |
| 12-16   | 104271-59080 | Pipe (a), F.o. Strainer-f.o. Injection Pump 633l |
| 12-16   | 104571-59080 | Pipe (b), Feed Pump-strainer 110l                |
| 12-16   | 104571-59080 | Pipe (b), Feed Pump-strainer 125l                |
| 12-17   | 124070-52010 | Pump, Fuel Feed 76.1h                            |
| 12-18   | 124223-01850 | Packing, Feed Pump 50l                           |
| 12-19   | 26216-060162 | Stud M8x18                                       |
| 12-20   | 22217-060000 | Spring Washer 6                                  |
| 12-21   | 26716-060002 | Nut M6   |
| 12-22   | 105584-59090 | Pipe (d), Inlet Feed Pump                        |
| 12-23   | 111154-51900 | Plug, Air Vent M5-13                             |
| 12-24   | 180110-51910 | Packing, Plug                                    |
| 12-25   | 105582-59150 | Bolt M8, Pipe Joint                              |
| 12-26   | 23414-080000 | Packing 8  |
| 12-27   | 124772-59660 | Joint  |
| 12-28   | 124772-59670 | Nut, Cap   |
| 12-28   | 124772-59670 | Bolt, Pipe Joint                                 |
| 12-29   | 23857-060000 | Packing 12                                       |
| 12-30   | 23414-120000 | Bolt 12, Pipe Joint                              |
| 12-30   | 103854-59200 | Packing 12                                       |
| 12-31   | 104200-59170 | Pipe, Fuel Overflow 560l                         |
| 12-32   | 104200-59170 | Pipe, Fuel Overflow 560l                         |
| 12-33   | 104271-59140 | Pipe, Fuel Overflow 560l                         |
| 12-33   | 104273-59140 | Pipe, Fuel Overflow 620l                         |
| 12-33   | 104571-59140 | Bolt 8, Pipe Joint                               |
| 12-34   | 101147-59810 | Bolt 8, Pipe Joint                               |
| 12-34   | 101147-59810 | Bolt 8, Pipe Joint                               |
| 12-35   | 23414-080000 | Packing 8  |
| 12-35   | 23414-080000 | Packing 8  |
| 12-35   | 23414-080000 | Packing 8  |
| 12-35   | 23414-080000 | Packing 8  |
| 12-35a  | 104884-59170 | Packing 8  |
| 12-36   | 105584-59850 | Retainer (a), Overflow Pipe                      |

FUEL OIL SYSTEM

N° Réf. N° Pièce

Designation

| N° Réf. | N° Pièce     | Designation   |
|---------|--------------|---|
| 12-37   | 124060-59900 | Clamp (b), Overflow Pipe                            |
| 12-38   | 26557-060102 | Screw M6x10   |
| 12-39   | 105582-39150 | Clamp, Overflow Pipe                                |
| 12-40   | 104271-59800 | Pipe, Fuel Injection 450l                           |
| 12-41   | 104571-59800 | Pipe, Fuel Injection 550l                           |
| 12-41   | 105582-59141 | Pipe, Fuel Return                                   |
| 12-42   | 105584-77961 | Clamp, F.o. Pipe                                    |
| 12-43   | 26557-050102 | Screw M5x10   |
| 12-44   | 83211-002013 | Tank Assy (20l), Fuel Oil "optional Parts"          |
| 12-45   | 124070-59060 | Pipe (f.o. Tank Outlet Side) 2000l "optional Parts" |
| 12-46   | 105582-59190 | Joint "optional Parts"                              |
| 12-47   | 138603-59390 | Nut, Cap "optional Parts"                           |
| 12-48   | 23010-014000 | Clamp 14 "optional Parts"                           |



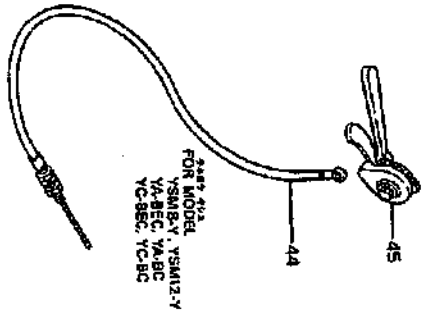
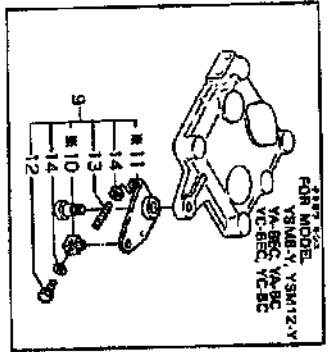
\*マークは単体販売致しません。  
\*MARK PARTS: NOT SOLD SEPARATELY.

GOVERNOR MECHANISM

N° Réf. N° Pièce

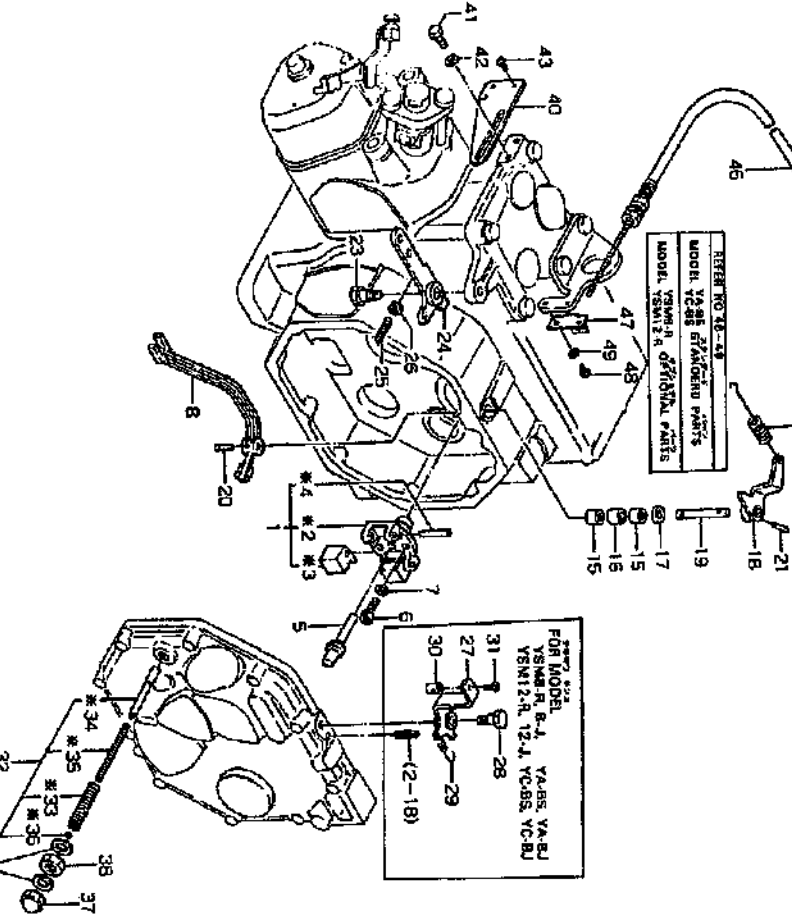
Désignation

|        |                |                                |
|--------|----------------|--------------------------------|
| 13-1   | 104271-61290   | Support Ass'y, Governor Weight |
| 13-1   | 104571-61290   | Support Ass'y, Governor Weight |
| 13-2   | *              | Support, Governor Weight 50w   |
| 13-2   | *              | Support, Governor Weight 50w   |
| 13-3   | *              | Weight, Governor               |
| 13-4   | *              | Pin, Governor Weight           |
| 13-5   | 104271-61300   | Sprindle, Governor 174-57.11   |
| 13-6   | 26450-060182   | Bolt (hexagonal Socket) M6X18  |
| 13-6   | 26450-060202   | Bolt (hexagonal Socket) M6X20  |
| 13-7   | 22217-060000   | Spring Washer 6                |
| 13-8   | 104271-66140   | Lever (a), Governor 150.51     |
| 13-8   | 104571-66140   | Lever (a), Governor 173.51     |
| 13-9   | 104271-66900   | Handle Comp., Regulator        |
| 13-10  | *              | Fittings, Wire                 |
| 13-11  | *              | Handle, Regulator: 641-35w     |
| 13-12  | 26117-060128   | Bolt M5X12                     |
| 13-13  | 104271-66920   | Screw M5X21                    |
| 13-13  | 120220-03660   | Screw M5X21                    |
| 13-14  | 26756-060002   | Lock Nut M5                    |
| 13-15  | 104211-61520   | Needle Bearing 11d-9w          |
| 13-16  | 104271-61530   | Spacer, Needle Bearing 11d-10w |
| 13-17  | 104211-61540   | Cap 14d-2.5t                   |
| 13-18  | 104271-66150   | Lever (b), Governor 571        |
| 13-19  | 104271-66400   | Shaft, Governor Lever 7d-531   |
| 13-20  | 22322-030189   | Taper Pin 3x18                 |
| 13-21  | 22322-030220   | Taper Pin 3x22                 |
| 13-22  | 104271-66010   | Spring, Regulator 931          |
| 13-23  | 104271-66040   | Spring, Regulator 1411         |
| 13-24  | 104271-66050   | Bolt, Lever Setting            |
| 13-25  | 120220-036690  | Handle, Regulator: 1031        |
| 13-26  | 26756-060002   | Screw M5X21                    |
| 13-27  | 104271-66510   | Lock Nut M6                    |
| 13-28  | 104271-66540   | Lever, Eng. Stop 621-50h       |
| 13-29  | 104271-66520   | Bolt, Mig. Lever M8-261        |
| 13-30  | 106500-44870   | Spring, Stop Lever 321         |
| 13-31  | 26557-040082   | Fittings, Inner Wire           |
| (2-18) | (22351-040016) | Screw M4X8                     |
| 13-32  | 104271-66550   | Spring Pin 4x16                |
| 13-33  | *              | Adjuster Comp., Idle 611       |
| 13-34  | *              | Body, Adjuster 461             |
| 13-35  | *              | Pin, Adjuster 581              |
| 13-36  | *              | Spring, Adjuster 631           |
| 13-37  | 26667-100002   | Washer, Adjuster               |
| 13-38  | 26756-100002   | Cap Nut M10                    |
| 13-39  | 43400-500430   | Lock Nut M10                   |
| 13-40  | 104271-67100   | Seal Washer 10                 |
| 13-41  | 26116-060122   | Bracket, Cable 100H-42w        |
| 13-42  | 22137-060000   | Bolt M6X12                     |
|        |                | Washer 6                       |

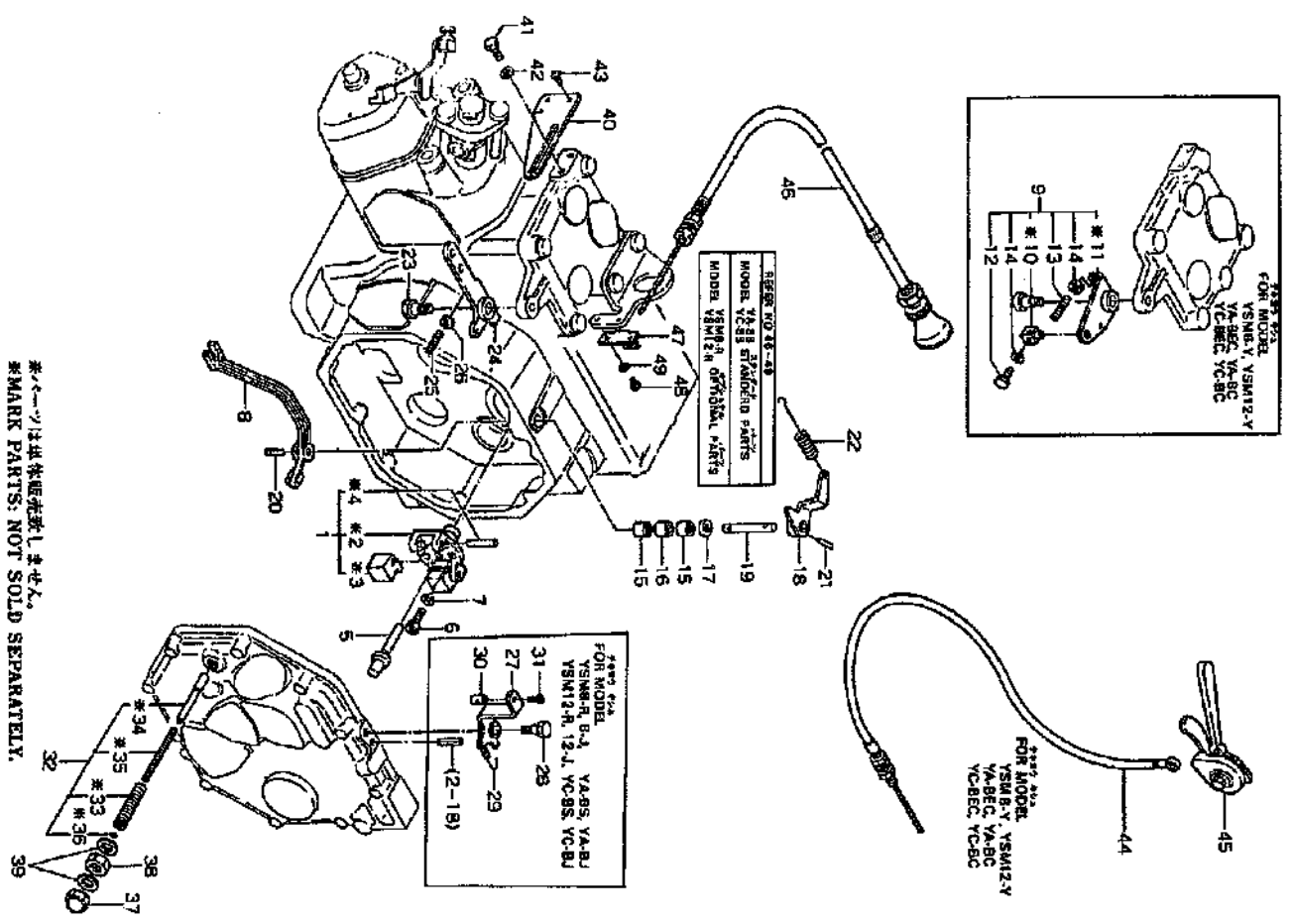


REFER TO 13-43  
MODEL YA-8BC & YA-9BC  
MODEL YSM12-Y & YC-8BC & YC-9BC  
OPTIONAL PARTS

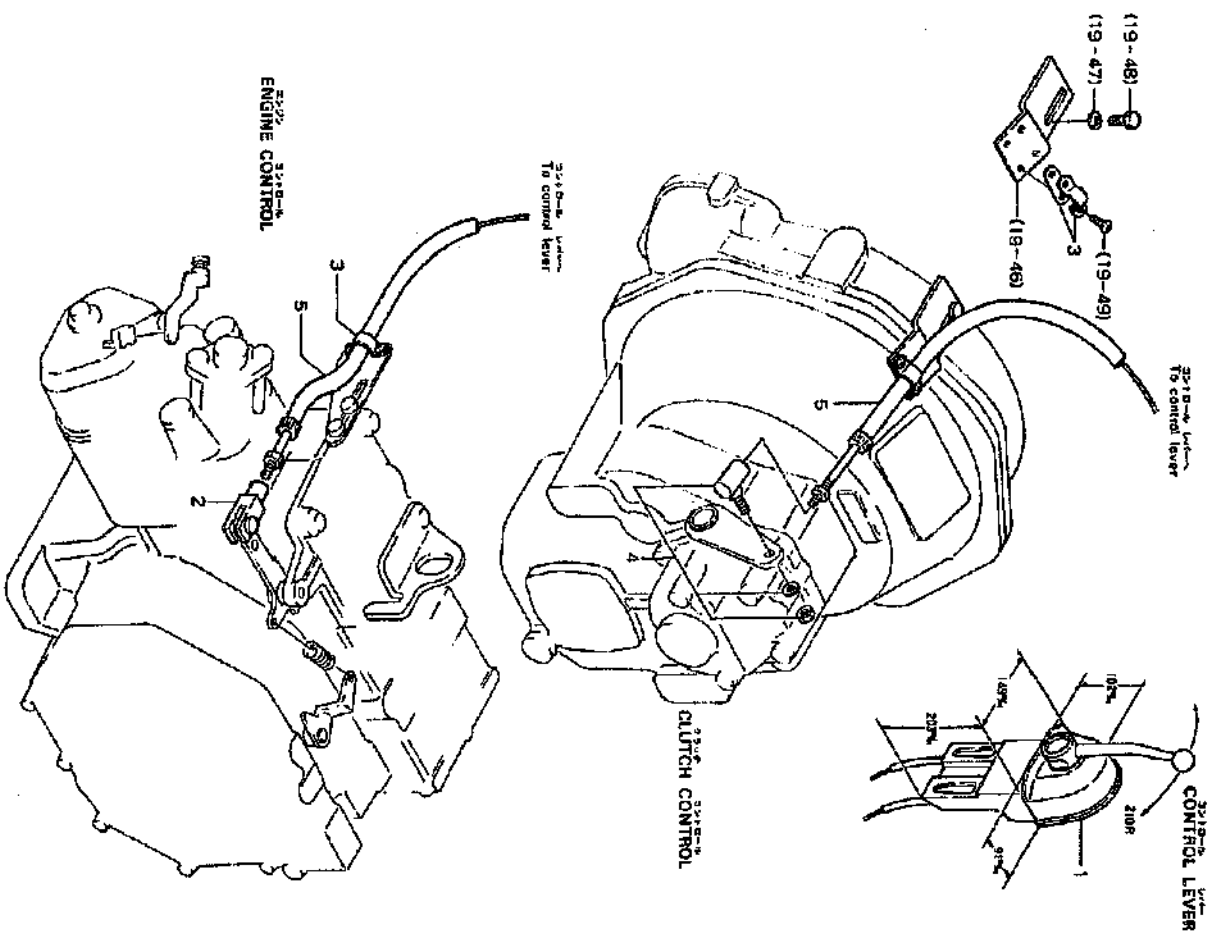
REFER TO 13-43  
MODEL YSM8-R, E-4, YA-8BC, YA-9BC  
MODEL YSM12-R, 12-J, YC-8BC, YC-9BC  
OPTIONAL PARTS



\*マークは単体販売致しません。  
\*MARK PARTS: NOT SOLD SEPARATELY.

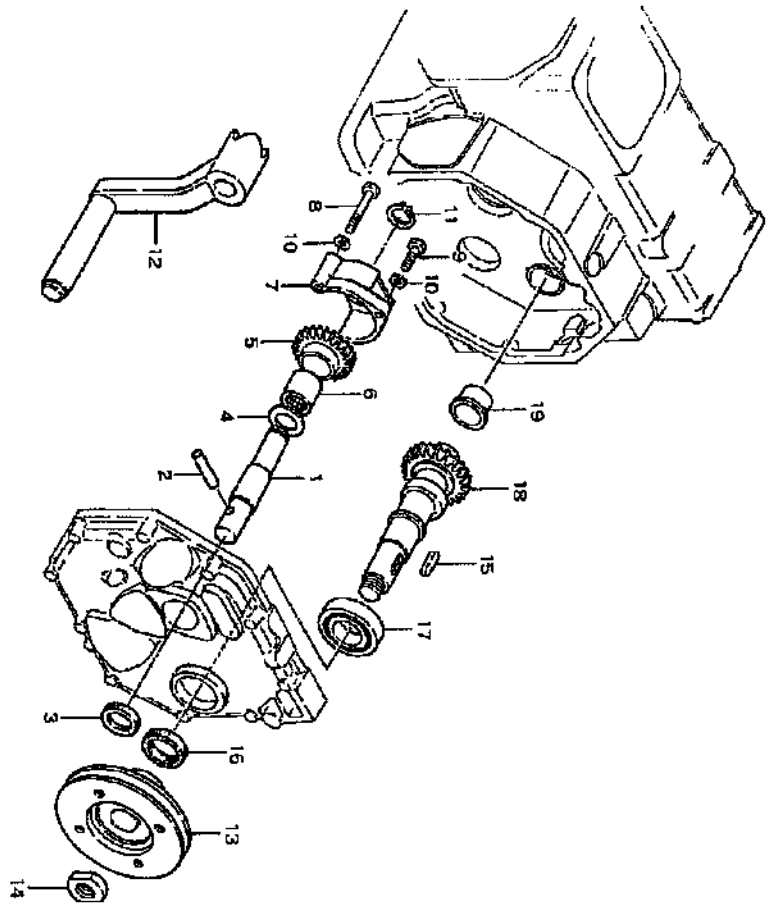


| N° Réf. | N° Pièce     | Désignation                             |
|---------|--------------|---|
| 13-43   | 26557-050102 | Screw M5x10                             |
| 13-44   | 105582-67150 | Cable, Eng. Speed 728l                  |
| 13-45   | 105582-67190 | Lever, Accelerator                      |
| 13-46   | 104271-67550 | Cable, Eng. Stop 3000l "optional Parts" |
| 13-47   | 104214-67110 | Bracket, Cable 38l-19w "optional Parts" |
| 13-48   | 26557-050102 | Screw M5x10 "optional Parts"            |
| 13-49   | 22217-050000 | Spring Washer 5 "optional Parts"        |

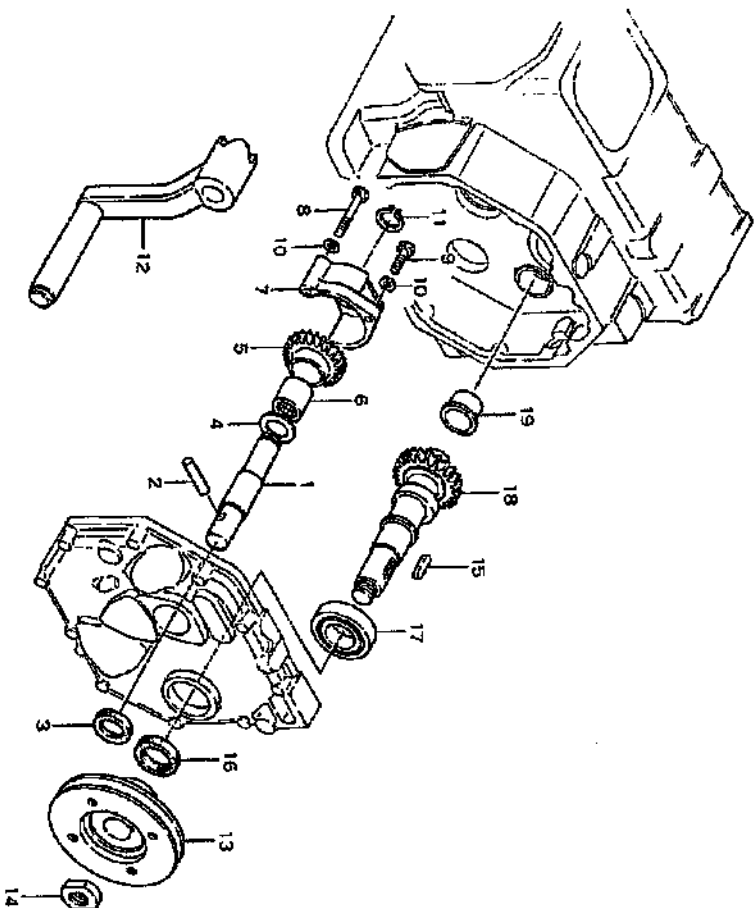


| N° Réf. | N° Pièce     | Désignation                            |
|---------|--------------|--|
| 19-46   | 104271-86100 | Bracket, Cable                         |
| 19-47   | 22137-060000 | Washer 6                               |
| 19-48   | 26116-060122 | Bolt M6x12                             |
| 19-49   | 26557-050102 | Screw M5x10                            |
| 19-49   | 26557-050102 | Remote-control Device "optional Parts" |
| 13a-1   | 41730-000680 | Lever Assy, Control "optional Parts"   |
| 13a-2   | 41710-000400 | Clevis "optional Parts"                |
| 13a-3   | 41710-000410 | Clamp, Cable "optional Parts"          |
| 13a-4   | 41710-000790 | Ball Joint "optional Parts"            |
| 13a-5   | 41710-000380 | Cable 4m "optional Parts"              |

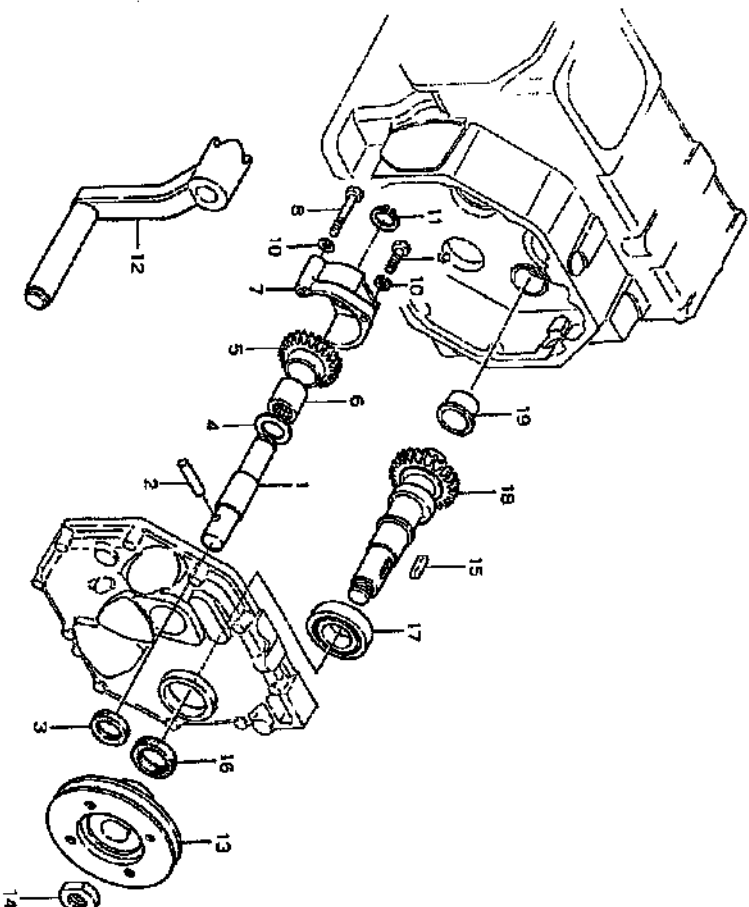




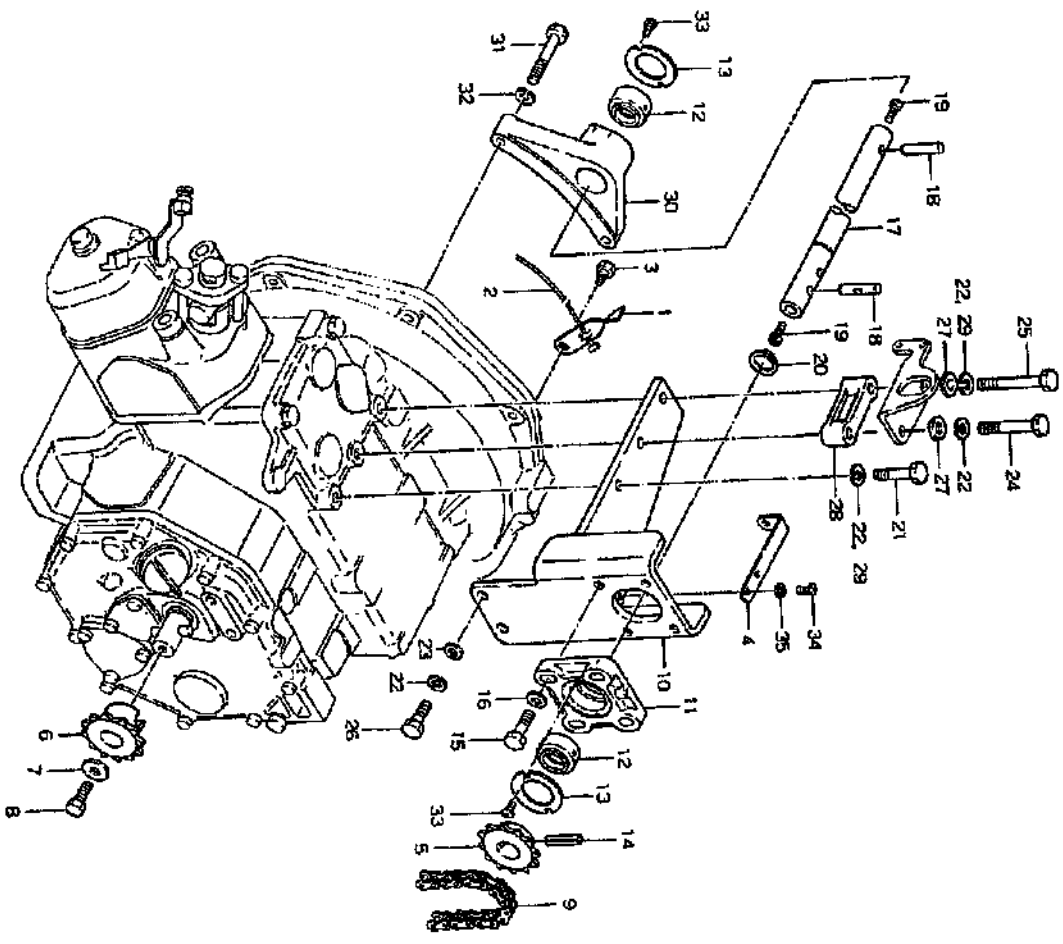
| N° Réf. | N° Pièce     | Designation   |
|---------|--------------|---|
| 14-1    | 104271-76340 | Shaft, Starting 25d-116.SI  |
| 14-2    | 101400-76480 | Pin, Starting Shaft 9d-36I  |
| 14-3    | 104200-76500 | Seal, Oil   |
| 14-4    | 104211-76070 | Washer 36.5d-0.5I   |
| 14-5    | 104271-76330 | Gear, Hand Starting   |
| 14-6    | 104271-76350 | Roller Clutch   |
| 14-7    | 104271-76300 | Bracket, Starting Shaft   |
| 14-8    | 26116-060452 | Bolt M6x45  |
| 14-9    | 26116-060222 | Bolt M6x22  |
| 14-10   | 22217-060000 | Spring Washer 6   |
| 14-11   | 22242-000200 | Clip 20   |
| 14-12   | 104271-76790 | Handle Comp., Starting (r=120)                                      |
| 14-13   | 104511-76790 | Handle Comp., Starting (r=150)                                      |
| 14-14   | 104300-76460 | Pulley, P.t.o.  |
| 14-15   | 22512-070240 | Lock Nut, P.t.o. Pulley   |
| 14-16   | 104211-76890 | Key 7x24  |
| 14-17   | 24101-060064 | Oil Seal 12d-8I   |
| 14-18   | 104271-76590 | Ball Bearing 6006   |
| 14-19   | 104511-76640 | Gear, P.t.o. Shaft 62.5d-163.SI Z=23<br>Bush (p.t.o. Shaft) 36d-19w |



| N° Réf. | N° Pièce     | Designation                          |
|---------|--------------|--------------------------------------|
| 14-1    | 104271-76340 | Shaft, Starting 25d-118,5l           |
| 14-2    | 101400-76480 | Pin, Starting Shaft 9d-36l           |
| 14-3    | 104200-76500 | Seal, Oil                            |
| 14-4    | 104211-76070 | Washer 36,5d-0,5l                    |
| 14-5    | 104271-76330 | Gear, Hand Starting                  |
| 14-6    | 104271-76350 | Roller Clutch                        |
| 14-7    | 104271-76300 | Bracket, Starting Shaft              |
| 14-8    | 26116-060452 | Bolt M6x45                           |
| 14-9    | 26116-060222 | Bolt M6x22                           |
| 14-10   | 22217-060000 | Spring Washer 6                      |
| 14-11   | 22242-000200 | Clirelip 20                          |
| 14-12   | 104271-76790 | Handle Comp., Starting (r=120)       |
|         | 104511-76790 | Handle Comp., Starting (r=150)       |
| 14-13   | 104271-76960 | Pulley, P.t.o.                       |
| 14-14   | 104360-76460 | Lock Nut, P.t.o. Pulley              |
| 14-15   | 22512-070240 | Key 7x24                             |
| 14-16   | 104211-76880 | Oil Seal 12d-8l                      |
| 14-17   | 24101-060064 | Ball Bearing 6006                    |
| 14-18   | 104271-76590 | Gear, P.t.o. Shaft 62,5d-163,5l Z=23 |
| 14-19   | 104511-76840 | Bush (p.t.o. Shaft) 36d-19w          |

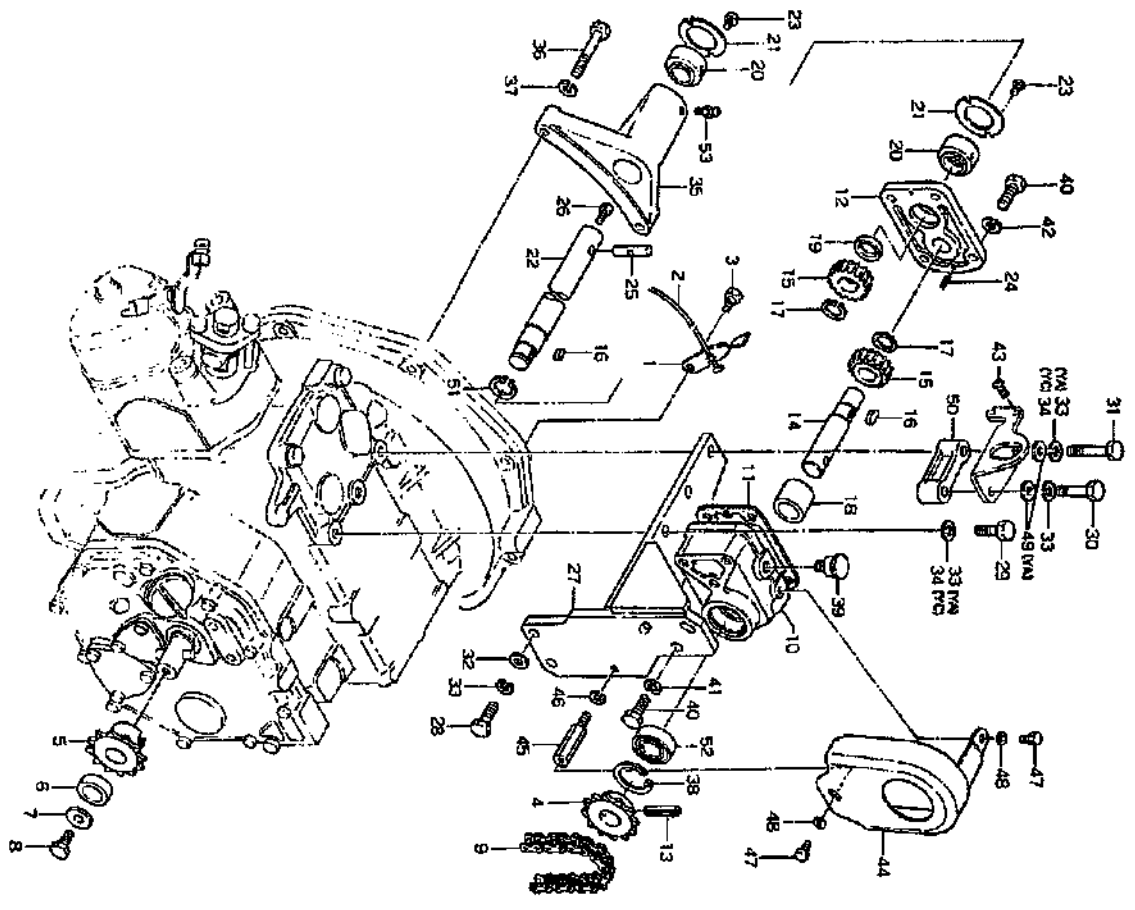


| N° Réf. | N° Pièce     | Désignation                          |
|---------|--------------|--------------------------------------|
| 14-1    | 104271-76340 | Shaft, Starting 25d-116 S1           |
| 14-2    | 101400-76480 | Pin, Starting Shaft 9d-361           |
| 14-3    | 104200-76500 | Seal, Oil                            |
| 14-4    | 104211-76070 | Washer 36.5d-0.5x                    |
| 14-5    | 104271-76330 | Gear, Hand Starting                  |
| 14-6    | 104271-76350 | Roller Clutch                        |
| 14-7    | 104271-76300 | Bracket, Starting Shaft              |
| 14-8    | 26116-060452 | Bolt M6x45                           |
| 14-9    | 26116-050222 | Bolt M6x22                           |
| 14-10   | 22217-060000 | Spring Washer 6                      |
| 14-11   | 22242-000200 | Circlip 20                           |
| 14-12   | 104271-76790 | Handle Comp., Starting (r=120)       |
| 14-12   | 104511-76790 | Handle Comp., Starting (r=150)       |
| 14-13   | 104271-76960 | Pulley, P.t.o.                       |
| 14-14   | 104300-76460 | Lock Nut, P.t.o. Pulley              |
| 14-15   | 22512-070240 | Key 7x24                             |
| 14-16   | 104211-76680 | Oil Seal 1.2d-8t                     |
| 14-17   | 24101-060064 | Ball Bearing 6006                    |
| 14-18   | 104271-76590 | Gear, P.t.o. Shaft 62.5d-163 S1 Z=23 |
| 14-19   | 104511-76940 | Bush (p.t.o. Shaft) 36d-19w          |

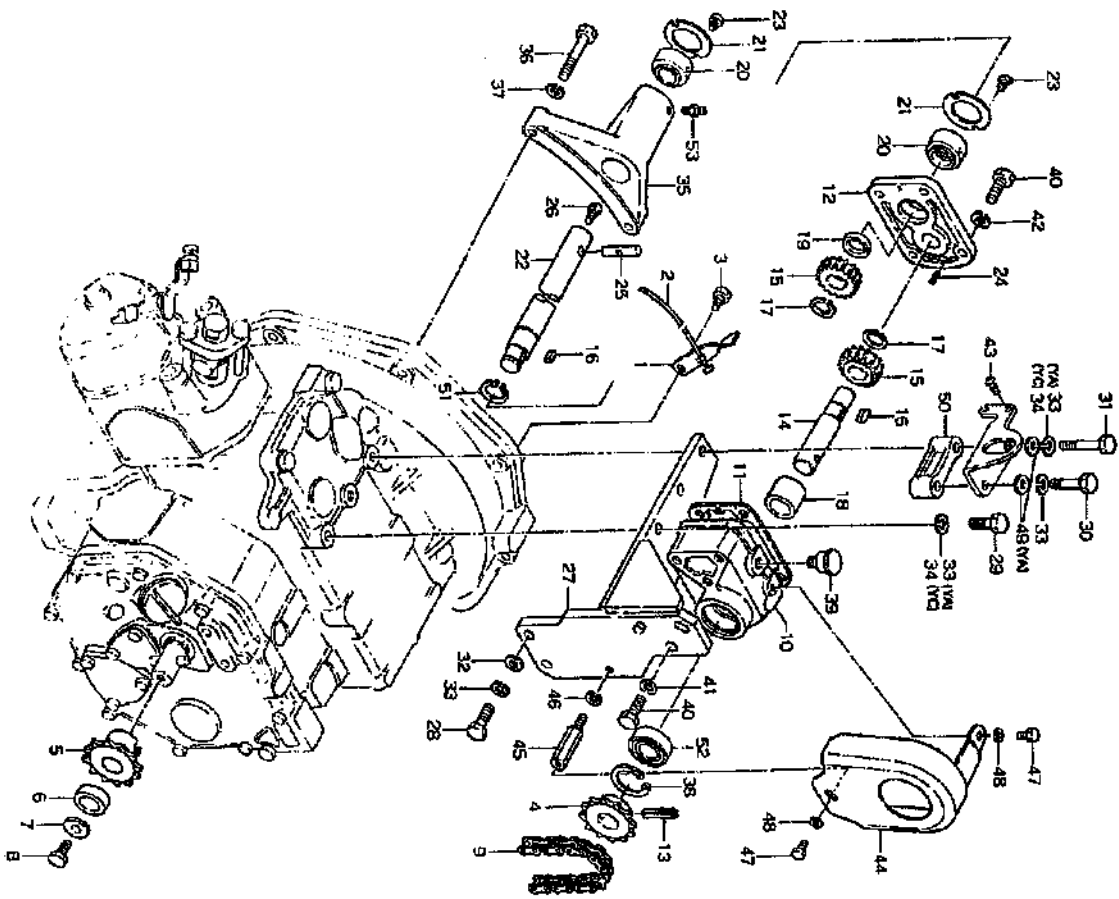


**MANUAL STARTING [CHAIN] DEVICE (FOR YSM8-J & YSM12-J)**

| N° Réf. | N° Pièce     | Désignation                            |
|---------|--------------|--|
| 15a-1   | 104211-03760 | Lever (b), Decomp. 771                 |
| 15a-2   | 104511-03850 | Wire, Decomp. 450l                     |
| 15a-3   | 104211-66040 | Bolt, Regulator Handle M6-16.8l        |
| 15a-4   | 104271-67110 | Bracket, Wire                          |
| 15a-5   | 104271-76010 | Sprocket (driving) 55d-26w Z=12        |
| 15a-6   | 104271-76020 | Sprocket (driven) 55d-26w Z=12         |
| 15a-7   | 121236-77340 | Washer D=25, T=4.5                     |
| 15a-8   | 26116-080122 | Bolt M8x12                             |
| 15a-9   | 25210-430420 | Chain (roller) 43x42                   |
| 15a-10  | 104271-76120 | Bracket (a), Starting Shaft 92w-223 5l |
| 15a-11  | 104571-76120 | Bracket (a), Starting Shaft 92w-223 5l |
| 15a-12  | 104271-76270 | Case, Bearing 20w                      |
| 15a-13  | 104271-76280 | Bearing 32d-16w                        |
| 15a-14  | 22351-080032 | Retainer, Bearing 46d-1.2l             |
| 15a-15  | 26116-080252 | Spring Pin 8awx32                      |
| 15a-16  | 22137-080000 | Bolt M8x25                             |
| 15a-17  | 104271-76250 | Washer 8                               |
| 15a-18  | 105584-76480 | Shaft, Starter 20d-585l                |
| 15a-19  | 26450-060122 | Pin, Starter Shaft 9d-36l              |
| 15a-20  | 22242-000200 | Bolt M6x12 (hexagonal Socket)          |
| 15a-21  | 26116-080402 | Circlip 20                             |
| 15a-22  | 26116-100452 | Bolt M10x40                            |
| 15a-23  | 22217-080000 | Bolt M10x45                            |
| 15a-24  | 22137-080000 | Spring Washer 8                        |
| 15a-25  | 26116-080852 | Spring Washer 8                        |
| 15a-26  | 26116-100702 | Washer 8                               |
| 15a-27  | 22137-080000 | Bolt M8x45                             |
| 15a-28  | 104271-07950 | Bolt M8x65                             |
| 15a-29  | 22217-100000 | Bolt M10x70                            |
| 15a-30  | 104271-76130 | Bolt M8x25                             |
| 15a-31  | 26116-080602 | Washer 8                               |
| 15a-32  | 22217-080000 | Spacer                                 |
| 15a-33  | 26557-050082 | Spring Washer 10                       |
| 15a-34  | 26557-050102 | Bracket (b), Starting Shaft            |
| 15a-35  | 22217-050000 | Bracket (b), Starting Shaft            |

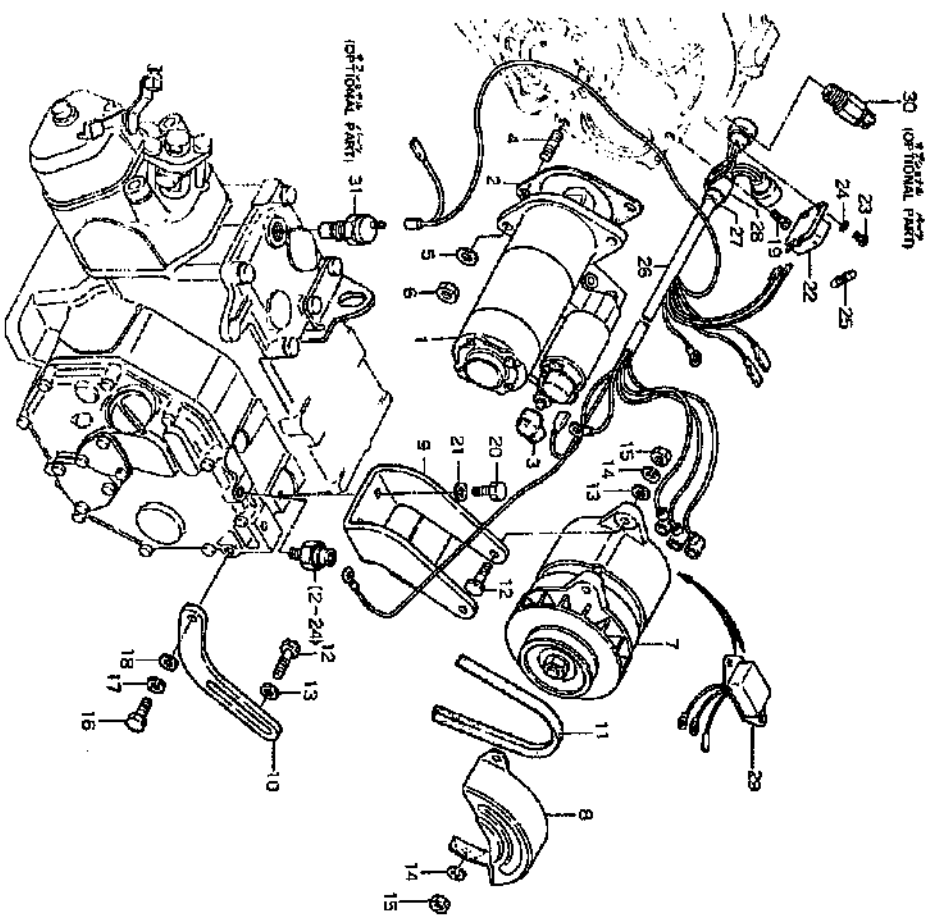


| N° Réf. | N° Pièce      | Désignation                                 |
|---------|---------------|---|
| 15b-1   | 104211-03780  | Lever (b), Decomp. 771                      |
| 15b-2   | 104511-03850  | Wife, Decomp. 4501                          |
| 15b-3   | 104211-65040  | Bolt, Regulator Handle M6-16,8l             |
| 15b-4   | 104271-76010  | Sprocket (driving) 55d-18w Z=12             |
| 15b-5   | 104271-76030  | Sprocket (driven) 55d-26w Z=12              |
| 15b-6   | 104271-76040  | Collar 30od-10l                             |
| 15b-7   | 121236-77340  | Washer 25od-14                              |
| 15b-8   | 26116-080122  | Bolt M8x10                                  |
| 15b-9   | 25210-430420  | Chain (roller) 43x42                        |
| 15b-10  | 104273-76271  | Case, Gear                                  |
| 15b-11  | 104273-76290  | Packing, Gear Case 105w-0,5t                |
| 15b-12  | 104273-76280  | Cover, Gear Case 105w-17t                   |
| 15b-13  | 22351-080032  | Spring Pin 8awx32                           |
| 15b-14  | 104273-76241  | Shaft (a), Starting Gear, Starting          |
| 15b-15  | 104200-78401  | Key 5x12, Start Gear                        |
| 15b-16  | 22512-050120  | Circlelip 16                                |
| 15b-17  | 22242-000180  | Collar 27od-18l                             |
| 15b-18  | 104273-76190  | Collar 25od-4,5t                            |
| 15b-19  | 145610-39280  | Bearing 32od-16l                            |
| 15b-20  | 104271-76280  | Retainer, Bearing 48d-1,2t                  |
| 15b-21  | 104271-76280  | Shaft (b), Starting 20d-496l                |
| 15b-22  | 104273-76250  | Shaft (b), Starting 20d-536l                |
| 15b-23  | 26557-050082  | Screw M5x8                                  |
| 15b-24  | 22351-040012  | Spring Pin 4awx12                           |
| 15b-25  | 106584-76480  | Pin, Starter Shaft 9d-36l                   |
| 15b-26  | 26450-060122  | Bolt (hexagonal Socket) M6x12               |
| 15b-27  | 104273-76121  | Bracket (a), Starting Gear Case 225,5l-198h |
| 15b-27  | 104573-76121  | Bracket (a), Starting Gear Case 242l-190h   |
| 15b-28  | 26116-080252  | Bolt M8x25                                  |
| 15b-29  | 26116-080402  | Bolt M8x40                                  |
| 15b-29  | 26116-100452  | Bolt M10x45                                 |
| 15b-30  | 26116-080452  | Bolt M8x45                                  |
| 15b-31  | 26116-080502  | Bolt M8x55                                  |
| 15b-31  | 26116-100702  | Bolt M10x70                                 |
| 15b-32  | 22137-489000  | Washer 8                                    |
| 15b-33  | 22217-488000  | Spring Washer 8                             |
| 15b-33  | 22217-080000  | Spring Washer 8                             |
| 15b-34  | 22217-100000  | Spring Washer 10                            |
| 15b-35  | 104273-76130  | Bracket (b), Start Shaft 142,7w-90l         |
| 15b-35  | 104573-76130  | Bracket (b), Start Shaft 154,6w-90l         |
| 15b-36  | 26116-080502  | Bolt M8x50                                  |
| 15b-37  | 22217-080000  | Spring Washer 8                             |
| 15b-38  | 22252-000420  | Circlelip 42                                |
| 15b-39  | 24754-200010  | Grease Cup 20x1/8                           |
| 15b-40  | 26116-080202  | Bolt M8x20                                  |
| 15b-41  | 22137-488000  | Washer 8                                    |
| 15b-42  | 22217-489000  | Spring Washer 8                             |
| 15b-43  | 26557-4050102 | Screw M5x10                                 |
| 15b-44  | 104273-76170  | Cover, Chain 139l                           |

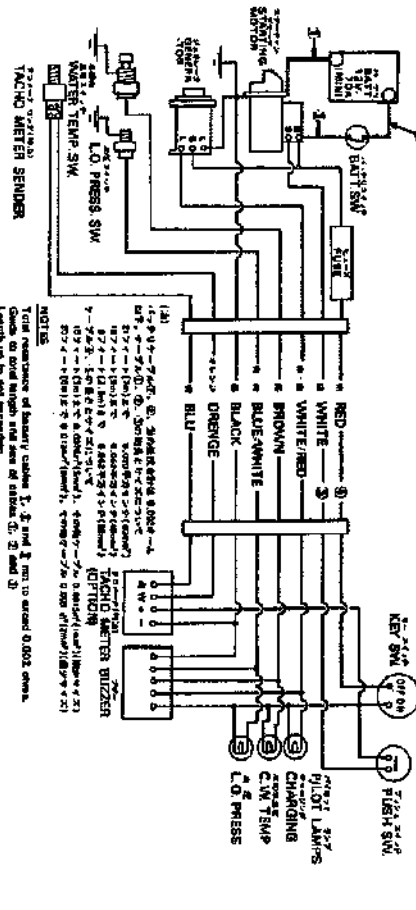
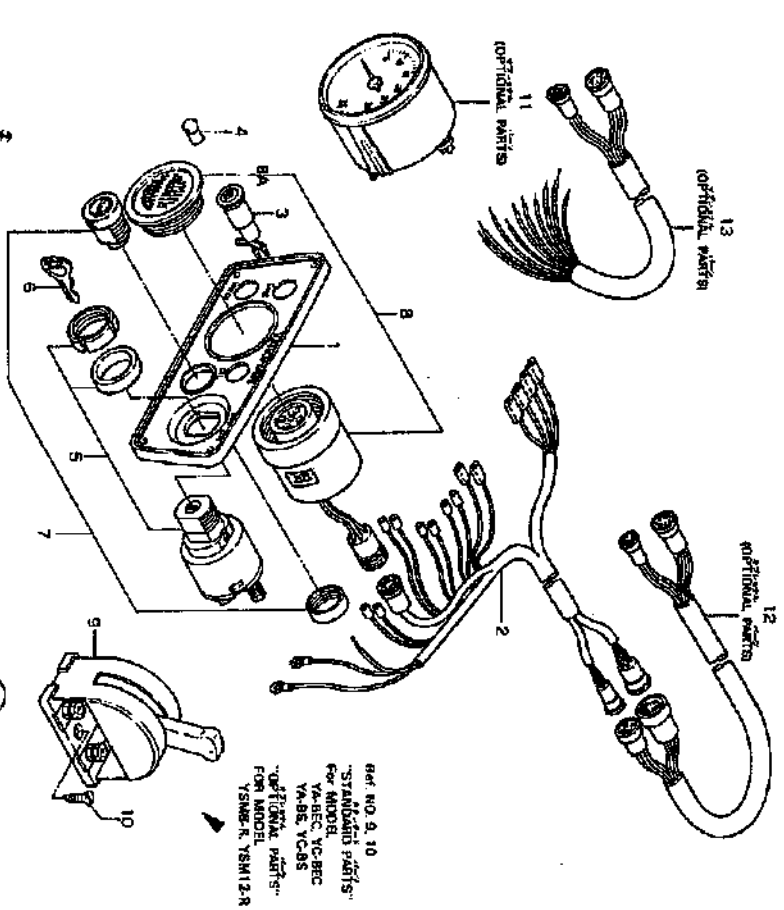


| N° Réf. | N° Pièce     |
|---------|--------------|
| 15B-45  | 104407-44270 |
| 15B-46  | 22217-080000 |
| 15B-47  | 26116-060102 |
| 15B-48  | 22137-060000 |
| 15B-49  | 22137-080000 |
| 15B-50  | 104271-07950 |
| 15B-51  | 22242-000200 |
| 15B-52  | 24102-060044 |
| 15B-53  | 24764-010000 |

| Désignation        |
|--------------------|
| Bolt M6/m8-5Bl     |
| Spring Washer 8    |
| Bolt M6x10         |
| Washer 8           |
| Washer 8           |
| Spacer W72x22-20h  |
| Clip 20            |
| Ball Bearing 6004u |
| Grease Nipple M6f  |



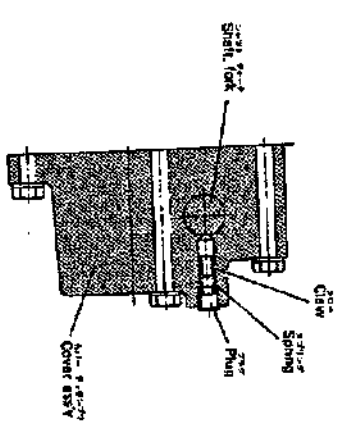
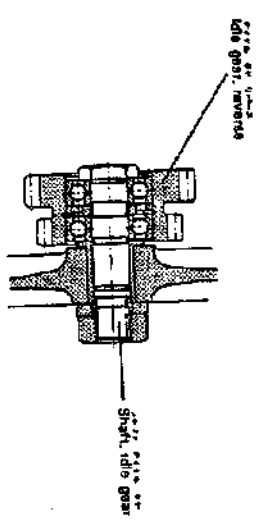
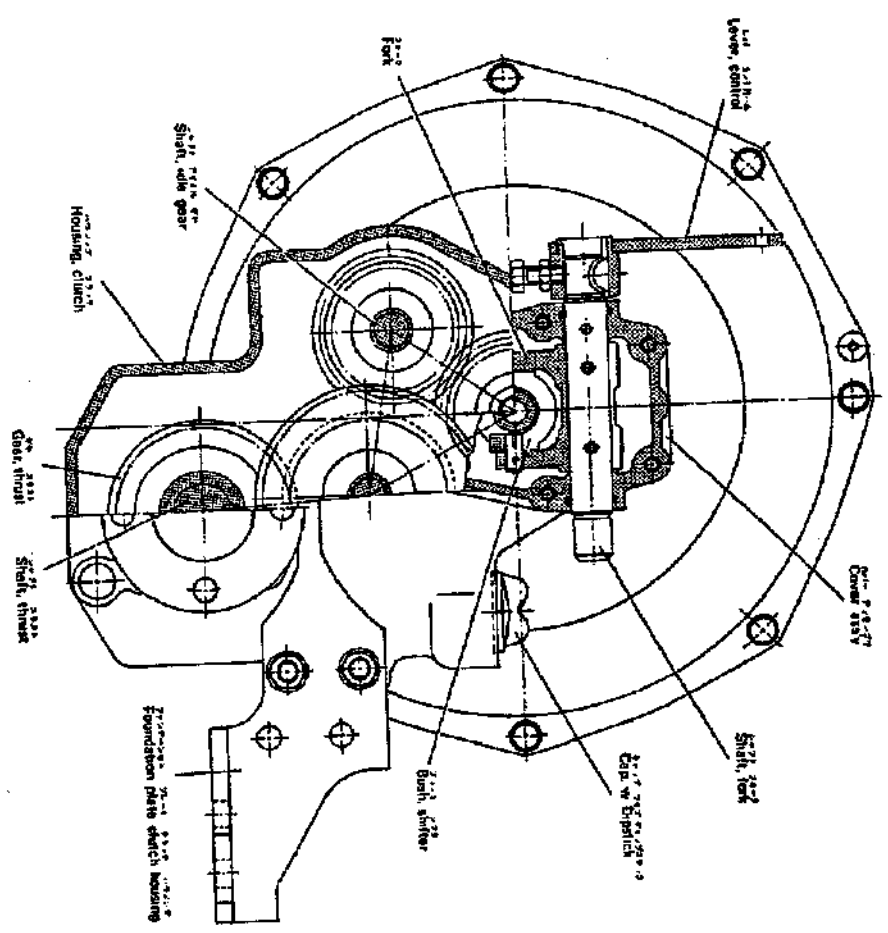
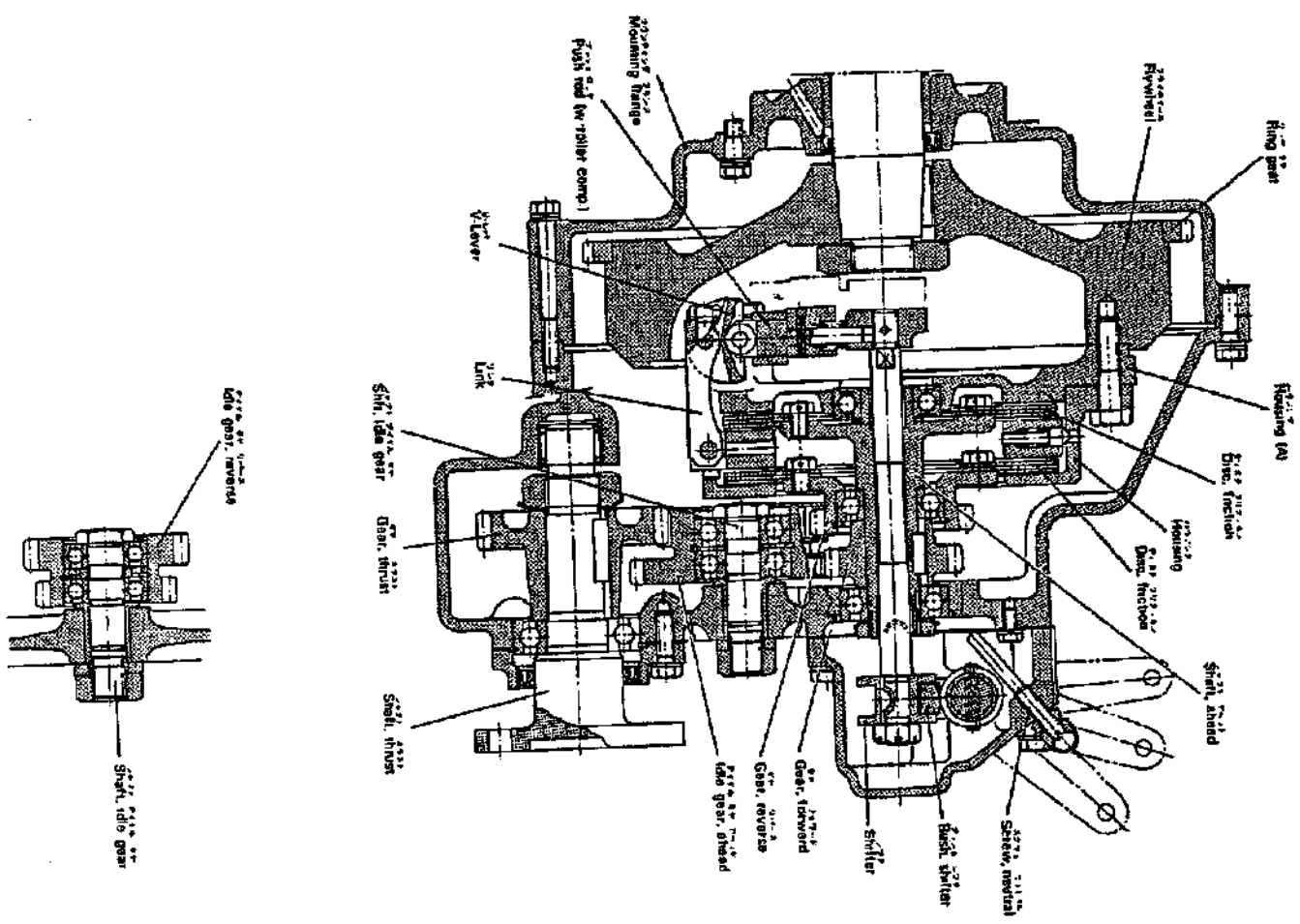
| N° Ref. | N° Pièce     | Désignation   |
|---------|--------------|---|
| 16-1    | 104211-77011 | Starter 12v. 1.0kw  |
| 16-2    | 104211-77080 | Packing, Starting Motor 83d-0.3t  |
| 16-3    | 124550-77030 | Cap, Terminal   |
| 16-4    | 26226-100222 | Stud M10x22   |
| 16-5    | 22117-100000 | Washer 10   |
| 16-6    | 26716-100002 | Nut M10   |
| 16-7    | 121370-77200 | Ac Generator  |
| 16-8    | 121250-77210 | Cover, A.c. Generator   |
| 16-9    | 104271-77250 | Bracket, Generator  |
| 16-10   | 104271-77330 | Adjuster, V-belt  |
| 16-11   | 104271-77350 | V-belt Hm26.5 Inch  |
| 16-12   | 26116-080302 | Bolt M9x30  |
| 16-13   | 22117-080000 | Washer 8  |
| 16-14   | 22217-080000 | Spring Washer 8   |
| 16-15   | 26716-080002 | Nut M8  |
| 16-16   | 26116-080202 | Bolt M9x20  |
| 16-17   | 22217-080000 | Spring Washer 8   |
| 16-18   | 22117-080000 | Washer 8  |
| 16-19   | 26116-080102 | Bolt M8x10  |
| 16-20   | 26116-080202 | Bolt M9x20  |
| 16-21   | 22217-080000 | Spring Washer 8   |
| 16-22   | 124070-77800 | Fuse Box (20a)  |
| 16-23   | 124070-77801 | Fuse Box (30a)  |
| 16-24   | 26557-050162 | Screw M5x16   |
| 16-25   | 22217-050000 | Spring Washer 5   |
| 16-26   | 46150-003680 | Fuse 20a  |
| 16-27   | 46150-003680 | Fuse (30a)  |
| 16-28   | 104271-77920 | Wire Harness  |
| 16-29   | 124770-77940 | Protector, Wire Harness   |
| 16-30   | 124070-77950 | Clamp, Wire   |
| 16-31   | 124070-81160 | Regulator, Voltage  |
|         | 46150-004530 | Sender Unit, Tachometer "optional Parts"<br>Sender, C.w. Temperature "optional Parts" |

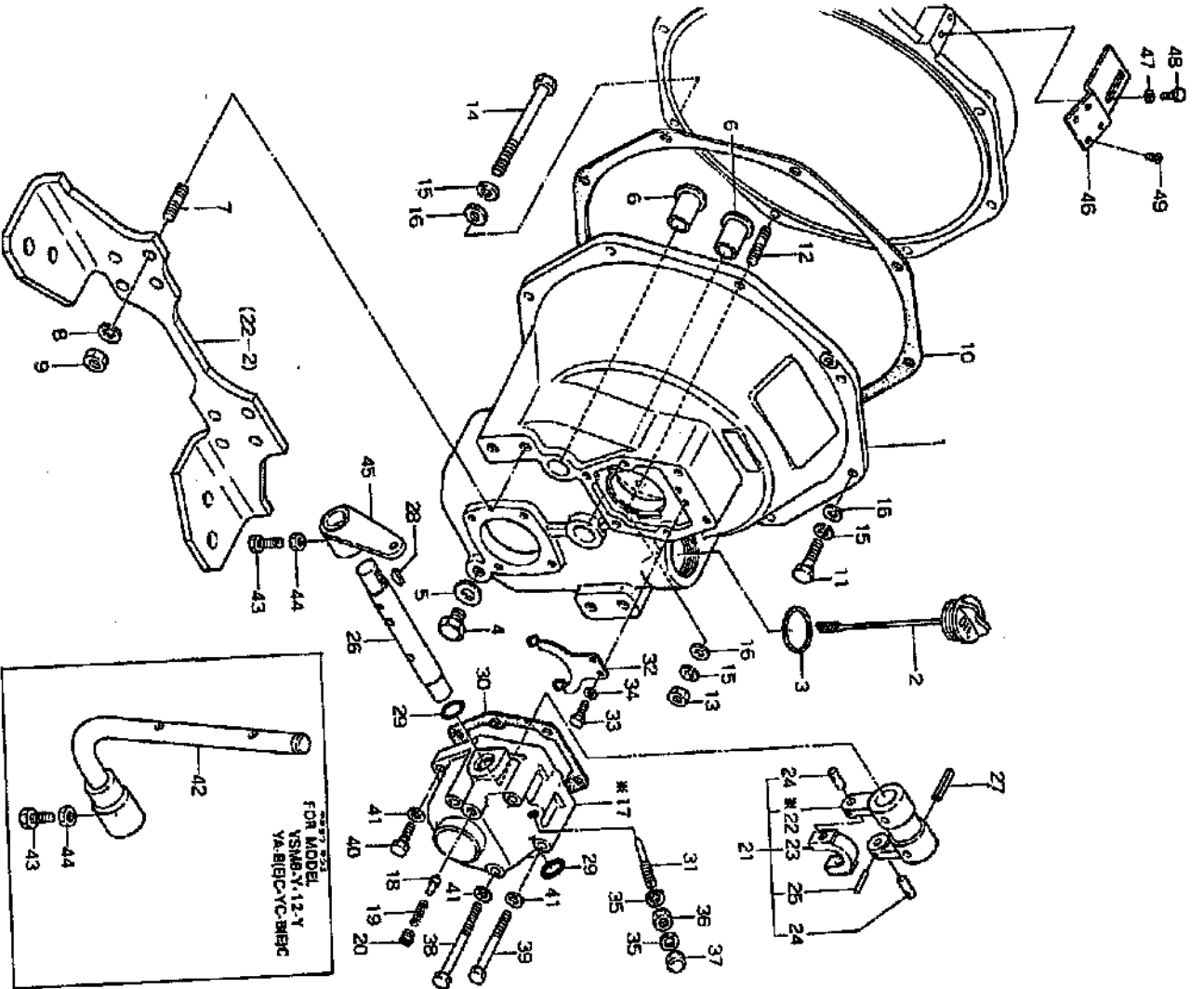


| N° Réf.      | N° Pièce | Designation                         |
|--------------|----------|-------------------------------------|
| 104271-91000 |          | Panel Comp., Instrument             |
| 104271-91001 |          | Panel Comp., Instrument             |
| 104271-91010 |          | Panel, Instrument 1991-8T           |
| 104271-91030 |          | Wire Harness, Panel                 |
| 124770-91040 |          | Lamp, Pilot 12d                     |
| 46150-001110 |          | . Bulb 12V-3W                       |
| 124070-91250 |          | Switch W/Key                        |
| 124070-91290 |          | . Key                               |
| 124070-01200 |          | Switch, Push Button                 |
| 124070-91300 |          | Switch, Push Button                 |
| 124070-91350 |          | Buzzer                              |
| 104271-91351 |          | Buzzer                              |
| 104271-91910 |          | . Cover                             |
| 123310-77640 |          | Switch, Battery                     |
| 22724-800380 |          | Screw, Battery Switch               |
| 22724-800380 |          | Screw, Battery Switch               |
| 22724-800380 |          | Screw, Battery Switch               |
| 22724-800380 |          | Screw, Battery Switch               |
| 124070-91100 |          | Switch, Battery "optional Parts"    |
| 104571-91100 |          | Tachometer "optional Parts"         |
| 104571-91101 |          | Tachometer "optional Parts"         |
| 46150-001110 |          | Bulb 12V-3W "optional Parts"        |
| 124770-91500 |          | Wire, Extension 3m "optional Parts" |
| 124070-91520 |          | Wire, Extension 6m "optional Parts" |
| 124070-91550 |          | Wire, Open "optional Parts"         |

\*MARK PARTS: NOT SOLD SEPARATELY.

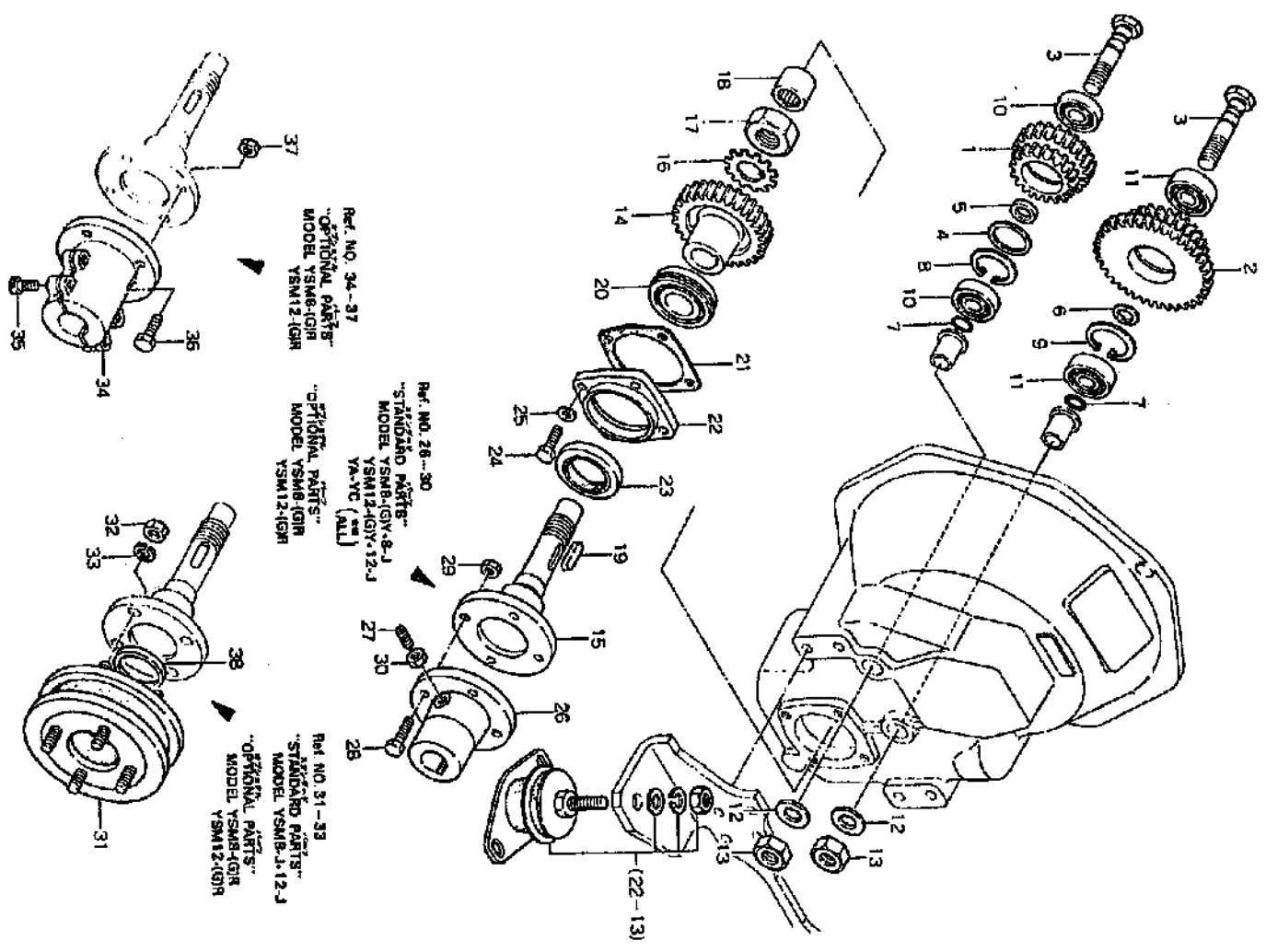


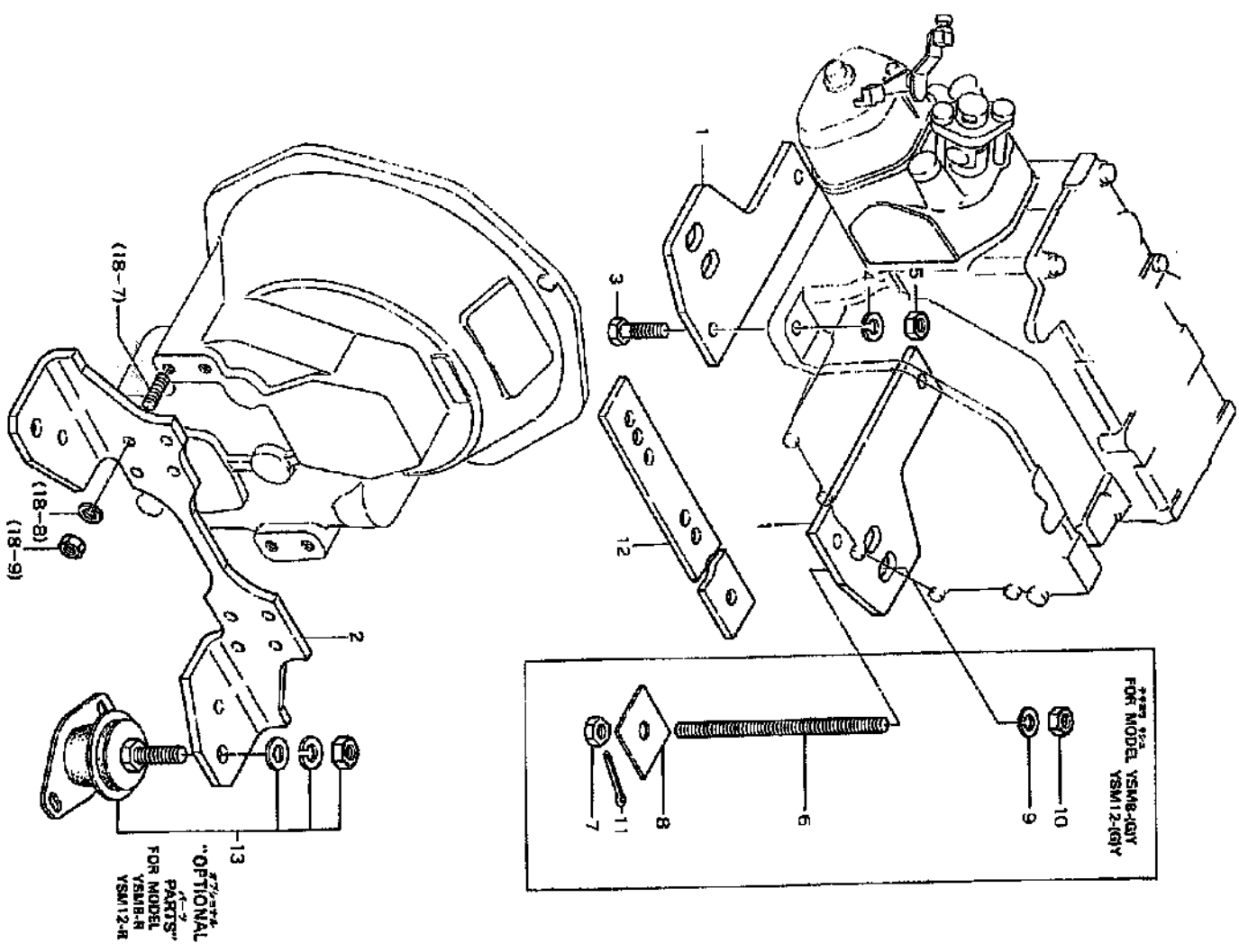


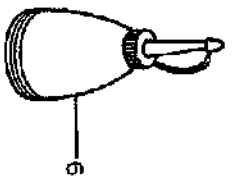
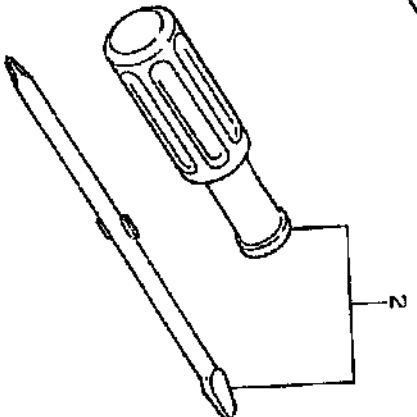
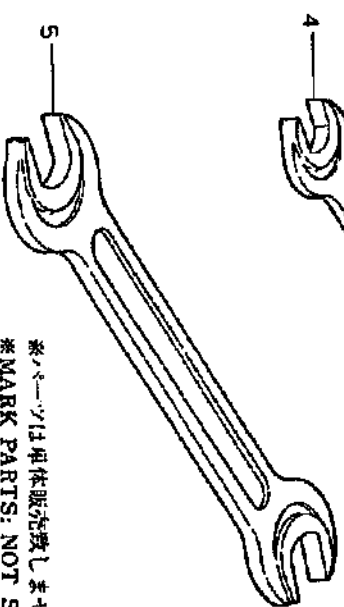
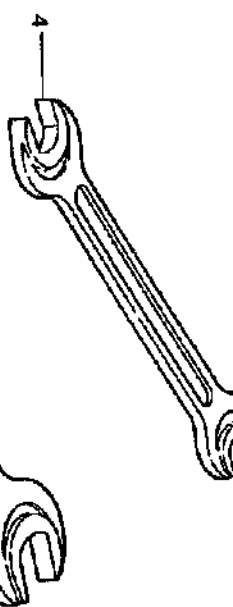
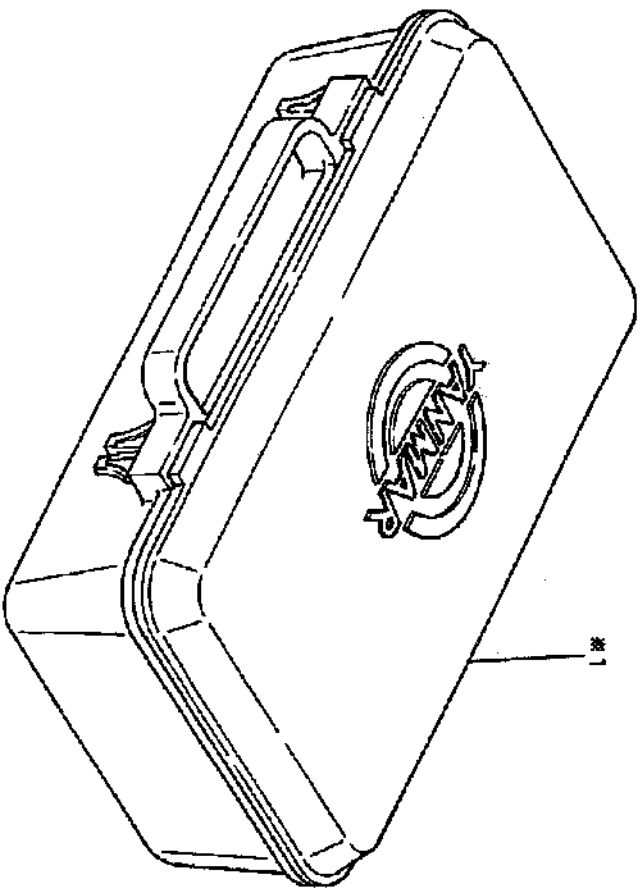


※パーツは単体販売致しません。  
 ※MARK PARTS: NOT SOLD SEPARATELY.

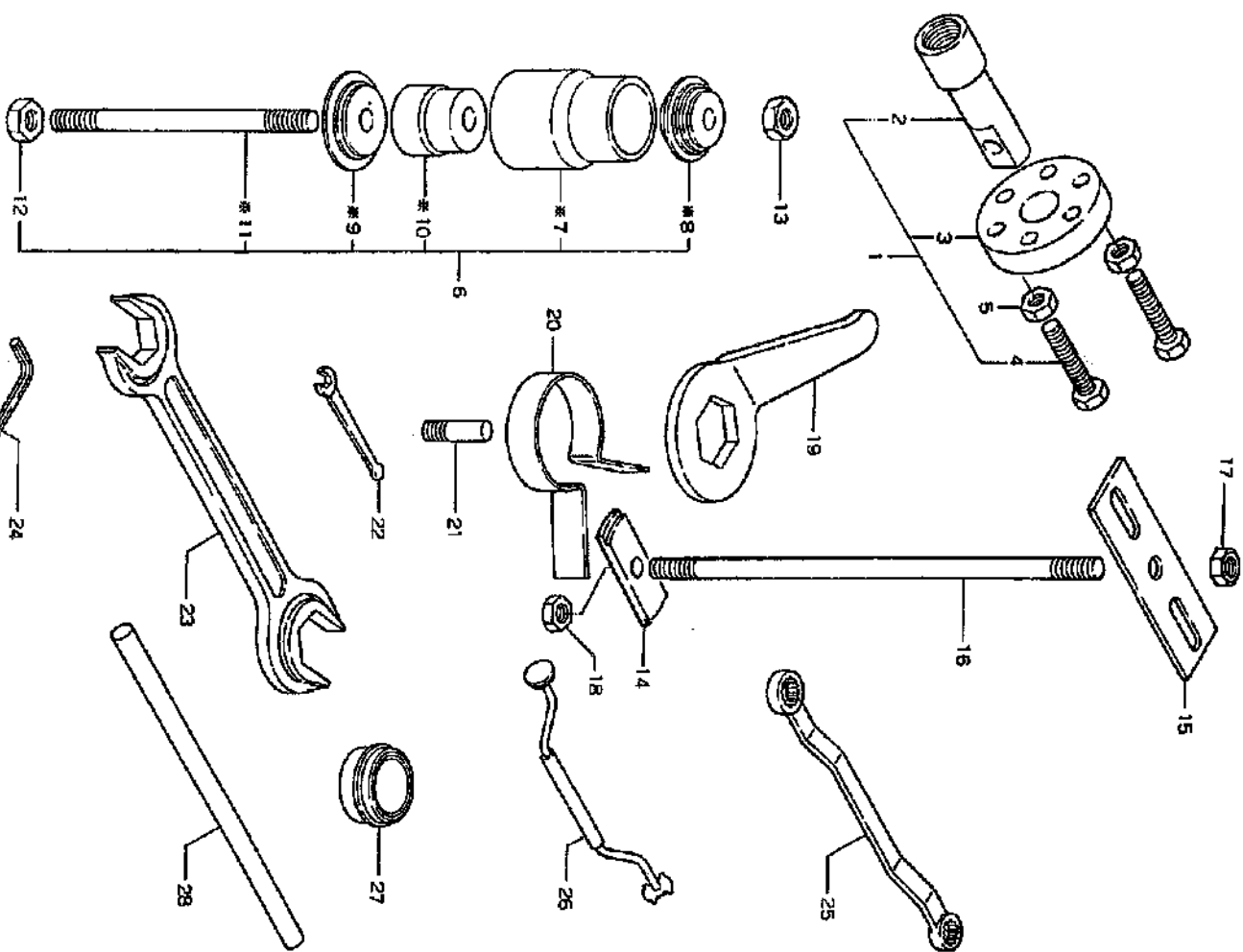




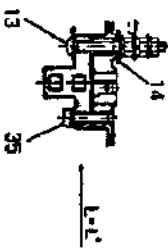
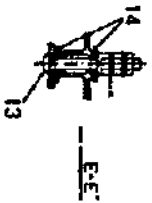
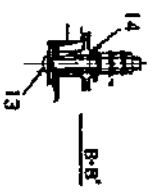
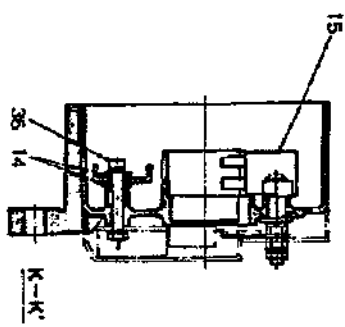
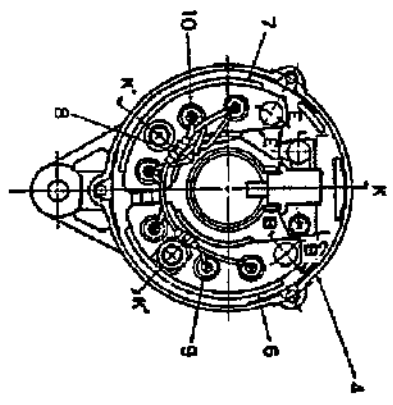
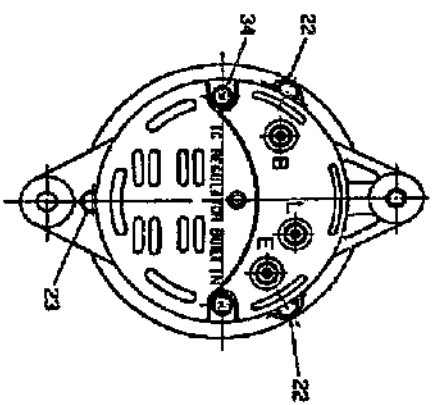
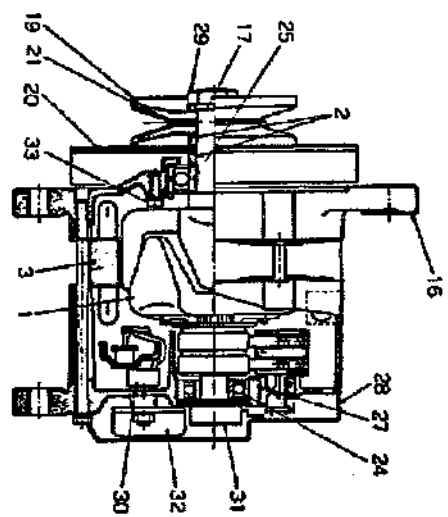
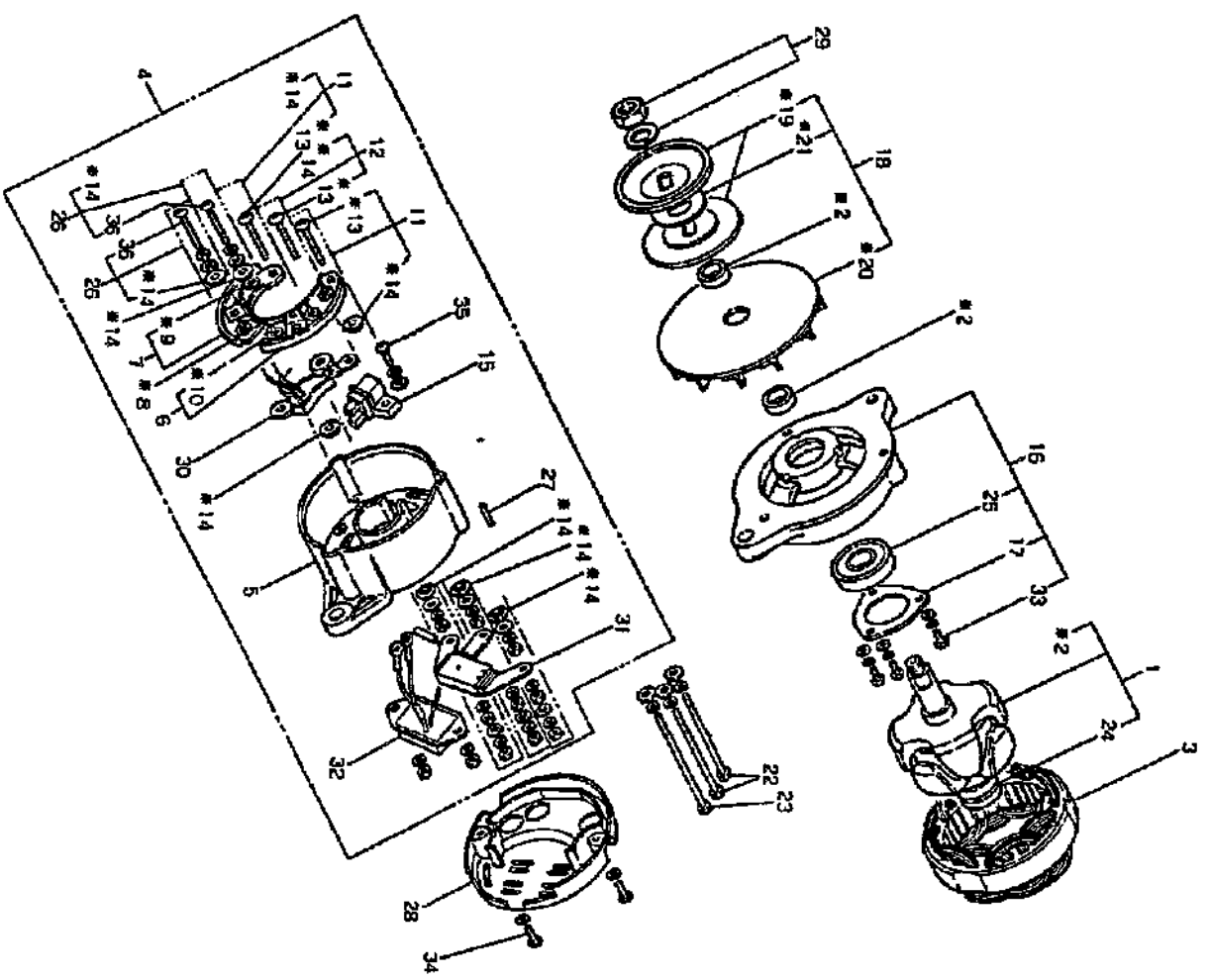




\*パーツは単体販売致しません。  
\*MARK PARTS: NOT SOLD SEPARATELY.

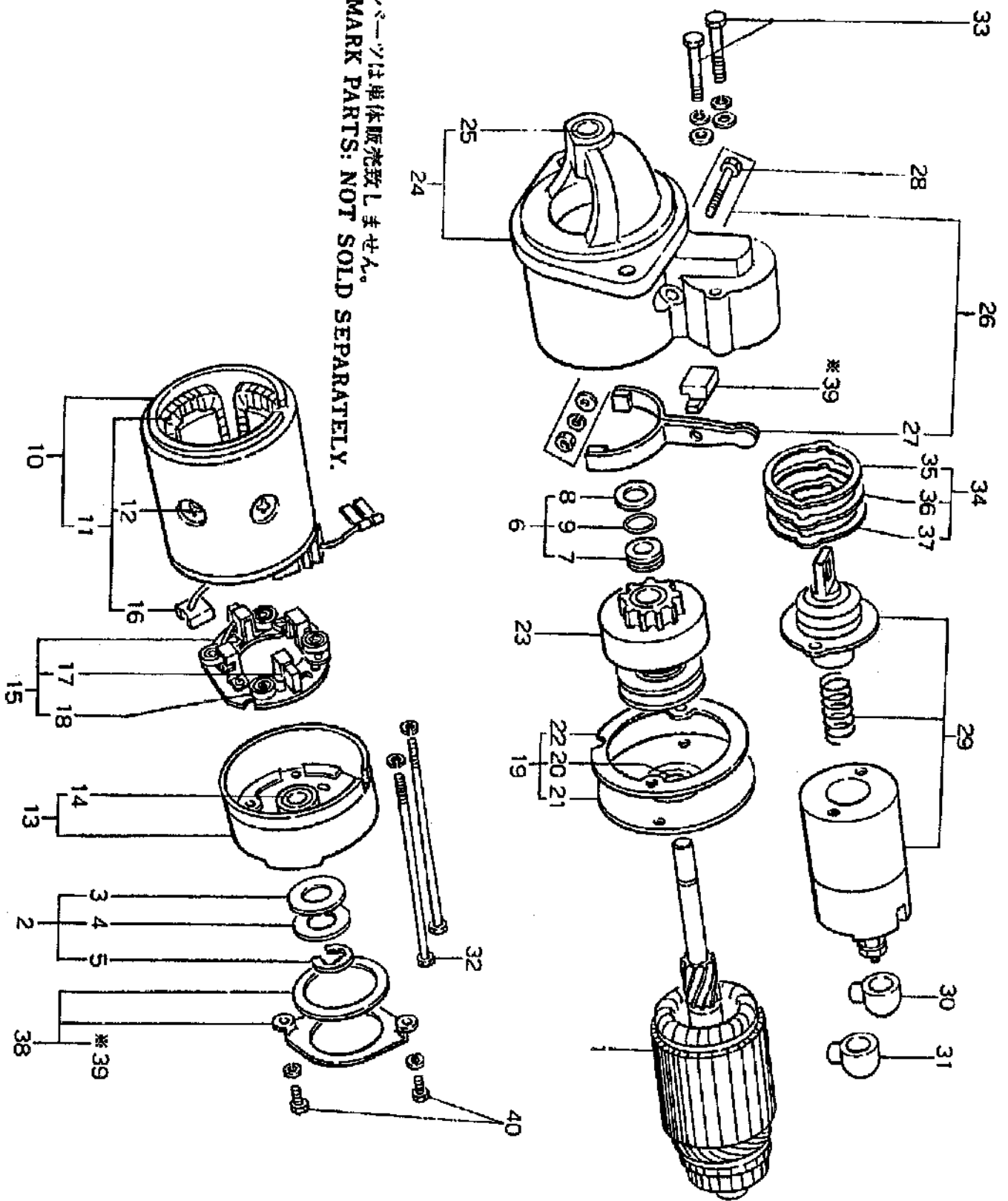


\*パーツは単体販売致しません。  
\*MARK PARTS: NOT SOLD SEPARATELY.

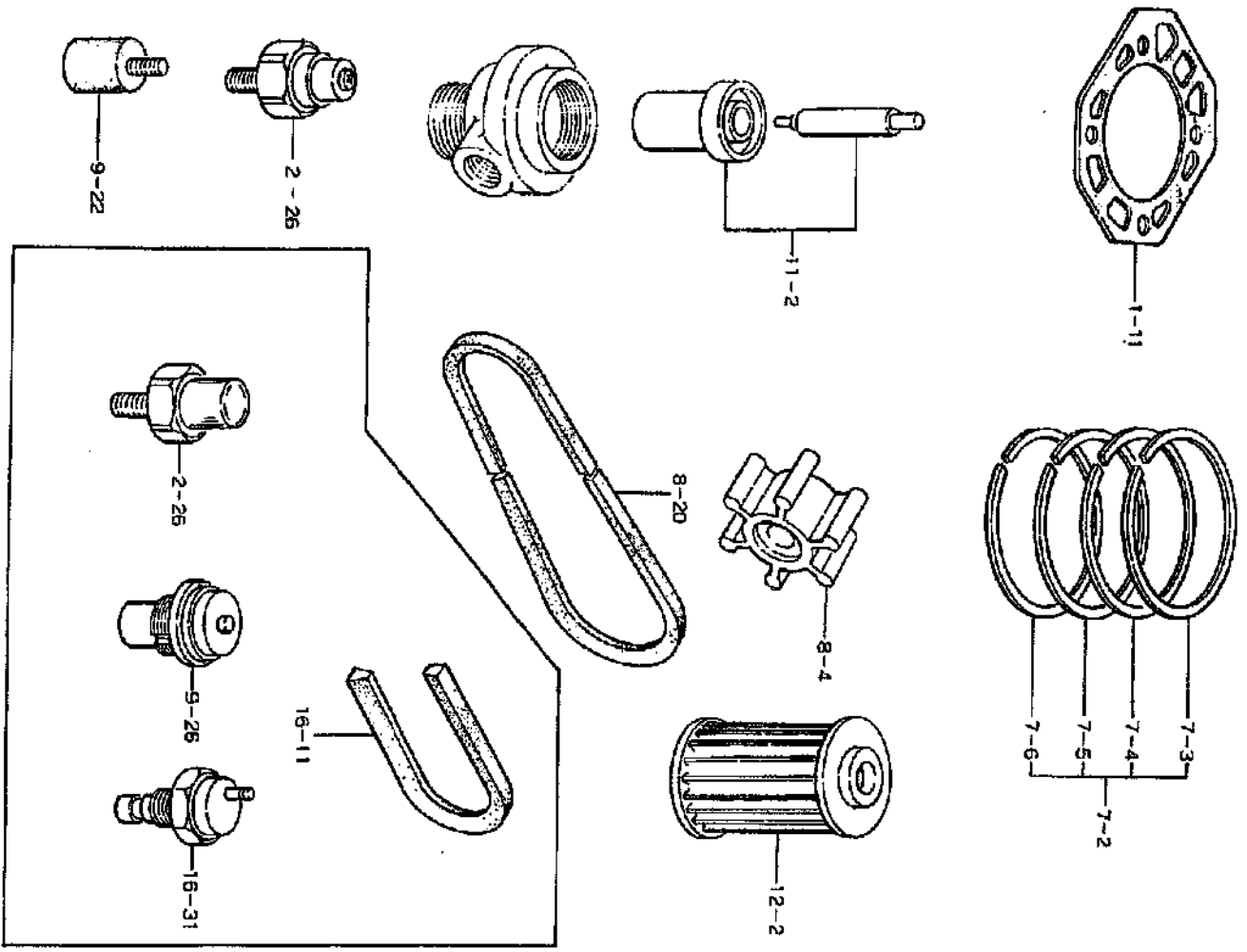


販売一切は株式会社ヤンマー  
 YANMAR DIESEL ENGINE CO., LTD. 所有権利を留保す

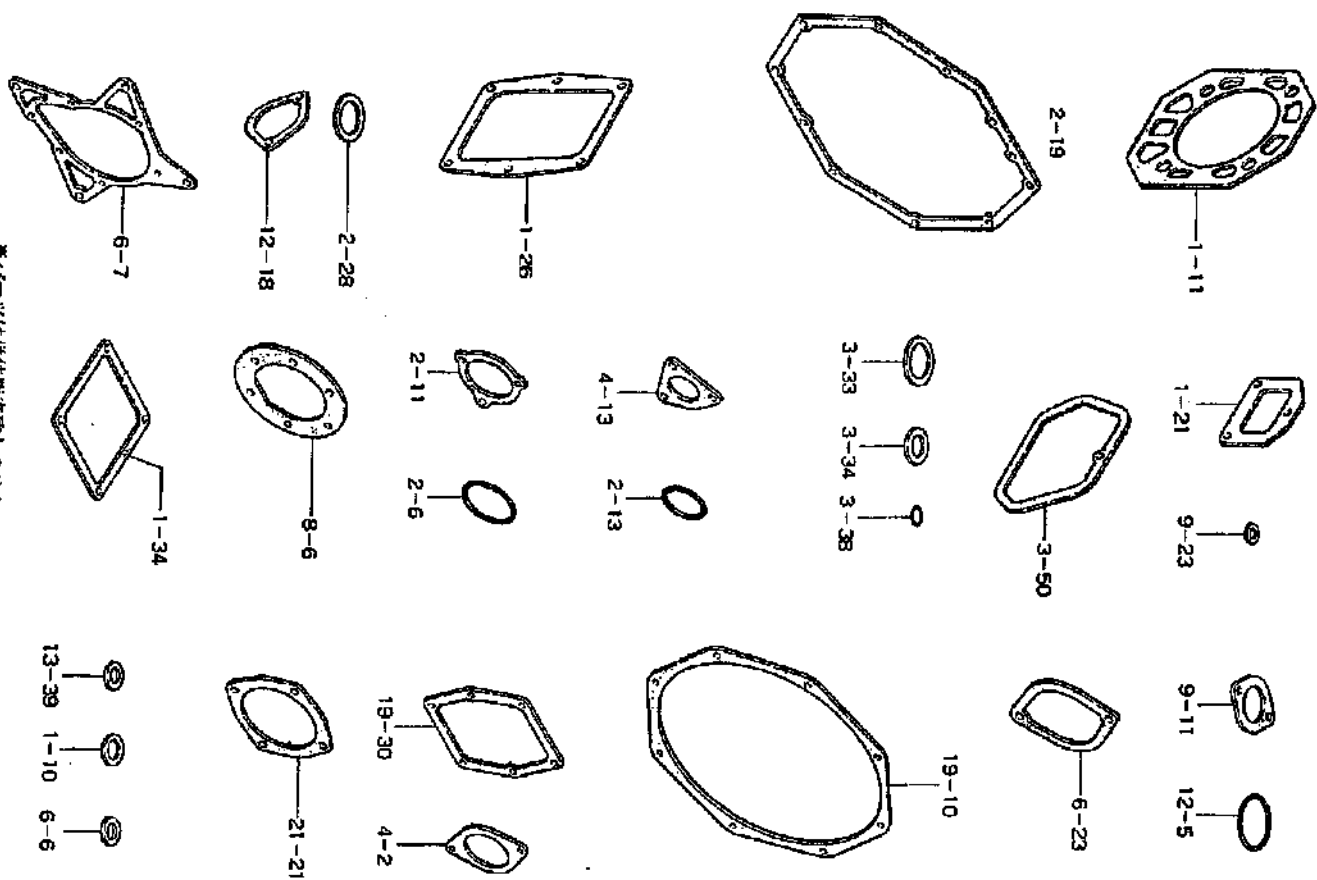




※パーツは単体販売致しません。  
※ MARK PARTS: NOT SOLD SEPARATELY.



※パーツは単体販売致しません。  
\* MARK PARTS: NOT SOLD SEPARATELY.



※マークは単体販売致しません。  
 ※MARK PARTS: NOT SOLD SEPARATELY.