

**Parts Manual**

**Cat.# 90-41261**

**Revised 09-10-2020**

# TABLE OF CONTENTS

Cat.# 90-41261

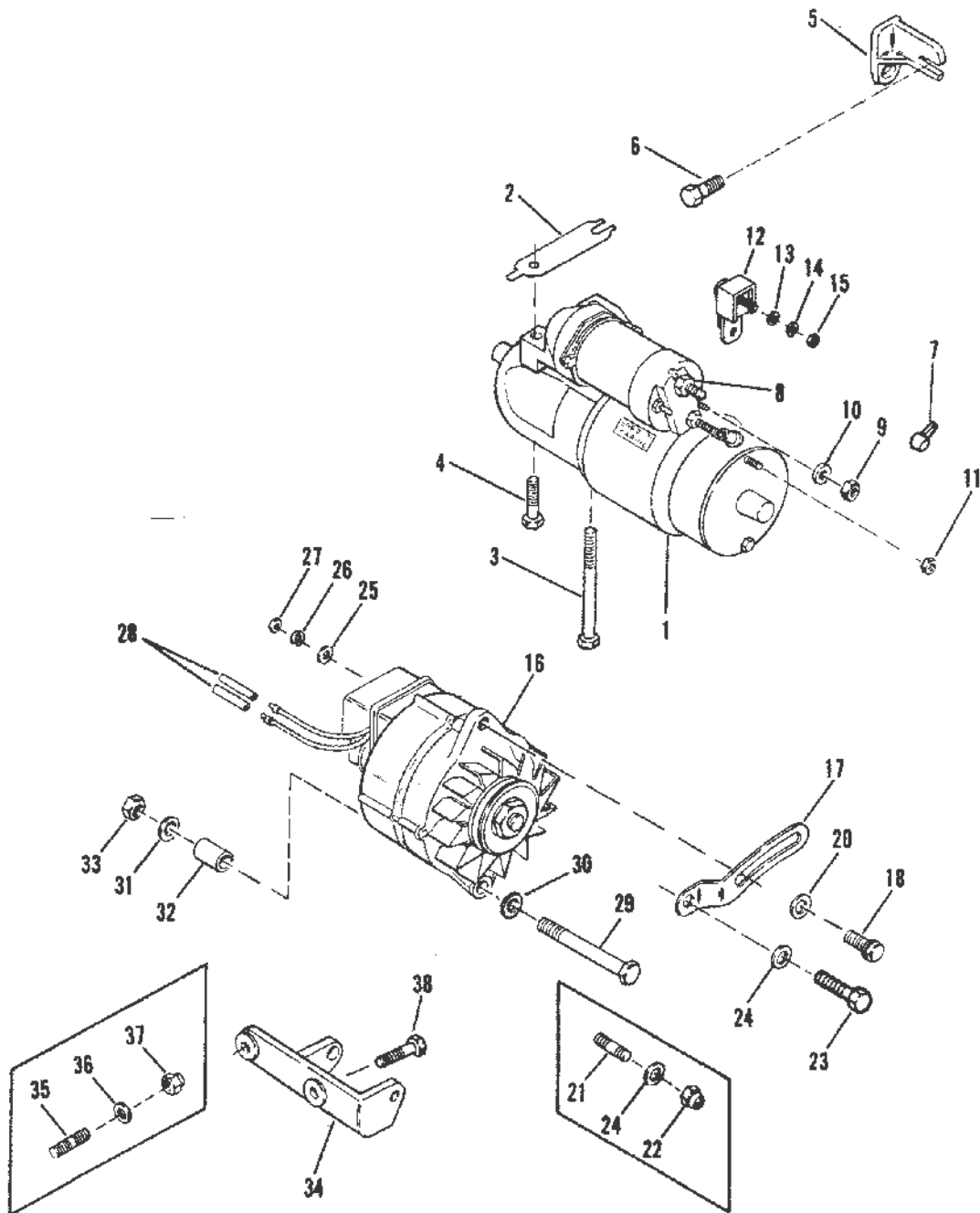
|   |     |
|---|-----|
| MISCELLANEOUS PARTS/ACCESSORIES.....                        | 1   |
| STARTER MOTOR AND ALTERNATOR.....                           | 3   |
| STARTER MOTOR.....  | 7   |
| ALTERNATOR (MOTOROLA #8MR2039K).....                        | 11  |
| ALTERNATOR (MOTOROLA #8EM2003KA).....                       | 15  |
| ALTERNATOR (DELCO-REMY #1103113).....                       | 17  |
| ALTERNATOR (DELCO-REMY #1105064).....                       | 21  |
| Alternator (Mando).....                                     | 25  |
| WIRING HARNESS AND ELECTRICAL COMPONENTS.....               | 27  |
| CONVENTIONAL IGNITION COMPONENTS.....                       | 31  |
| DIGITAL IGNITION COMPONENTS.....                            | 37  |
| FUEL PUMP AND CARBURETOR (OLD DESIGN).....                  | 39  |
| FUEL PUMP AND CARBURETOR (NEW DESIGN).....                  | 43  |
| CARBURETOR (ROCHESTER).....                                 | 47  |
| CARBURETOR (MERCARB).....                                   | 49  |
| EXHAUST MANIFOLD USE W/2 PIECE EXHAUST ELBOW.....           | 53  |
| EXHAUST MANIFOLD (USE W/1 PIECE EXHAUST ELBOW).....         | 57  |
| SHIFT COMPONENTS (OLD DESIGN).....                          | 61  |
| SHIFT COMPONENTS (NEW DESIGN).....                          | 63  |
| SHIFT COMPONENTS (NEW DESIGN WITH SPRING GUIDE).....        | 65  |
| THROTTLE COMPONENTS (OLD DESIGN).....                       | 67  |
| ENGINE MOUNTING (FRONT).....                                | 69  |
| EXHAUST SYSTEM (OLD DESIGN).....                            | 71  |
| EXHAUST SYSTEM (NEW DESIGN).....                            | 73  |
| CYLINDER HEAD AND ROCKER COVER (120-2.5L/153 CID).....      | 75  |
| CYLINDER BLOCK, PISTON AND BEARINGS (120-2.5L/153 CID)..... | 77  |
| CRANKSHAFT, CAMSHAFT, WATER PUMP (120-2.5L/153 CID).....    | 81  |
| OIL PAN AND OIL PUMP (120-2.5L/153 CID).....                | 85  |
| CYLINDER HEAD AND ROCKER COVER (140-3.0L/181 CID).....      | 87  |
| CYLINDER BLOCK, PISTON AND BEARINGS (140-3.0L/181 CID)..... | 89  |
| CRANKSHAFT, CAMSHAFT, WATER PUMP (140-3.0L/181 CID).....    | 91  |
| OIL PAN AND OIL PUMP (140-3.0L/181 CID).....                | 95  |
| POWER STEERING PUMP ASSEMBLY.....                           | 97  |
| Power Steering Pump and Cooler Kit (71333A5).....           | 99  |
| FLYWHEEL HOUSING.....                                       | 101 |
| DRIVESHAFT EXTENSION COMPONENTS JACKSHAFT MODELS.....       | 103 |
| DRIVESHAFT EXTENSION COMPONENTS JACKSHAFT MODELS.....       | 105 |
| DRIVESHAFT EXTENSION COMPONENTS JACKSHAFT MODELS.....       | 107 |

MISCELLANEOUS PARTS/ACCESSORIES

**MISCELLANEOUS PARTS\ACCESSORIES**

| <b>Ref #</b> | <b>Part Class</b> | <b>Part Number</b> | <b>Description</b>  | <b>Comments</b> | <b>Qty</b> | <b>Note</b> |
|--------------|-------------------|--------------------|---|-----------------|------------|-------------|
| -            | 0090              | 41261              | PARTS MANUAL 120 H.P./2.5L140<br>H.P./3.0L R/MR/ALPHA ONE |                 | 1          |             |
| -            | 0090              | 8613291            | SERVICE MANUAL Engine Manual                              |                 | 1          |             |
| -            | 0090              | 86137              | SERVICE MANUAL Stern Drive                                |                 | 1          |             |
| -            | 0090              | 42227870           | OWNERS GUIDE<br>(CONVENTIONAL IGNITION)                   |                 | 1          |             |
| -            | 0090              | 42227890           | OWNERS GUIDE (DIGITAL<br>IGNITION)                        |                 | 1          |             |

# STARTER MOTOR AND ALTERNATOR



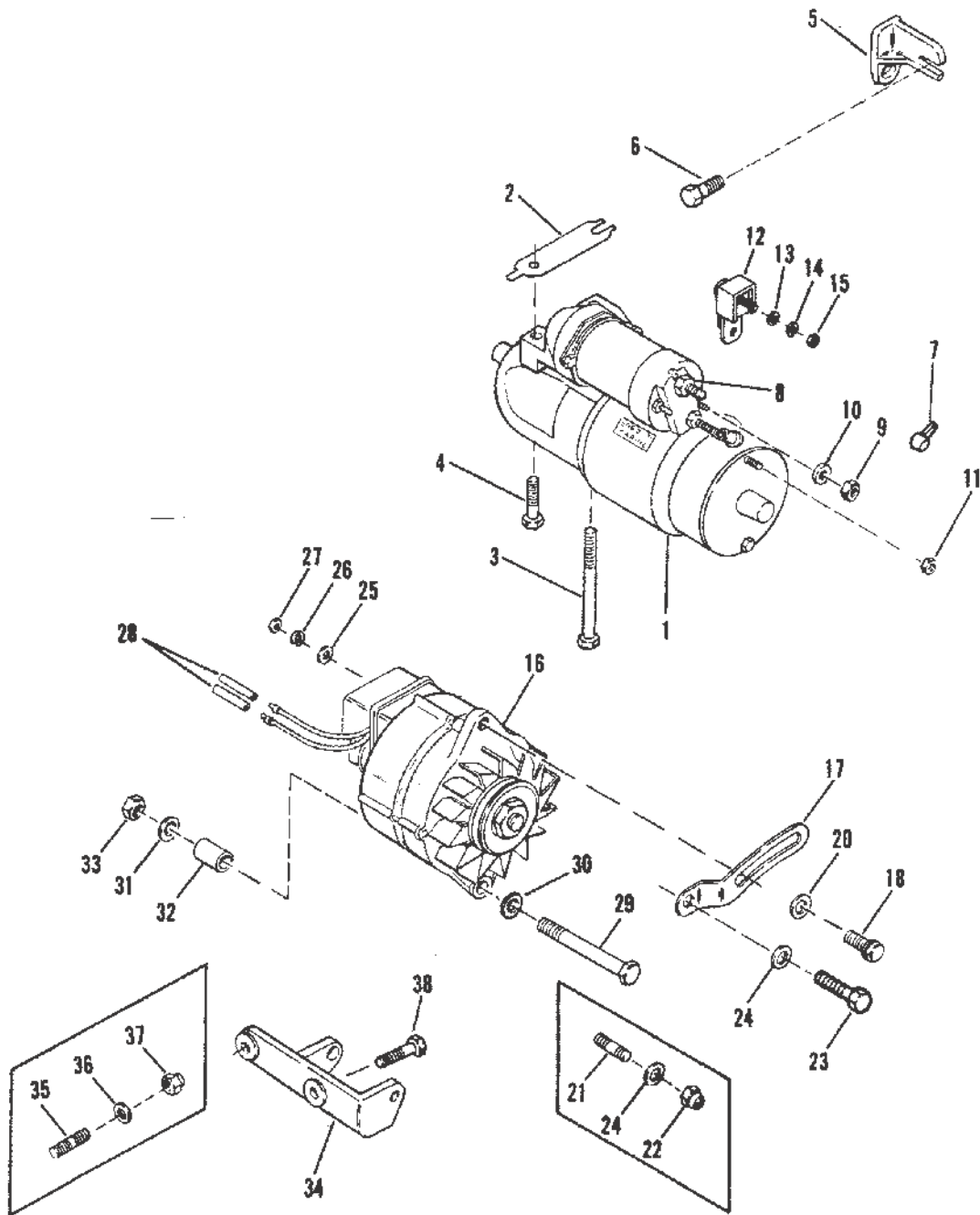
39311

## STARTER MOTOR AND ALTERNATOR

| Ref # | Part Class | Part Number | Description  | Comments                  | Qty | Note |
|-------|------------|-------------|--|---------------------------|-----|------|
| 1     | 0050       | 99417A2     | STARTER MOTOR ASSEMBLY   |                           | 1   | [1]  |
| 2     | 0000       | 98192       | SHIM STARTER MOTOR   |                           | 1   |      |
| 3     | 0010       | 94435       | BOLT (.375-16 x 4.600) STARTER MOTOR MOUNTING                        |                           | 1   |      |
| 4     | 0010       | 812509184   | BOLT STARTER MOTOR MOUNTING (1-15/16")                               |                           | 1   |      |
| 5     | 0000       | 87300T      | BRACKET STARTER MOTOR  |                           | 1   |      |
| 6     | 0010       | 12244       | SCREW (.375-16 x 1.00) STARTER MOTOR BRACKET TO CYLINDER BLOCK       |                           | 1   |      |
| 7     | 0085       | 79695       | BOOT Insulator - Black   |                           | 1   |      |
| 8     | 0011       | 32219       | NUT (.375-16) BATTERY TERMINAL                                       |                           | OPT |      |
| 8     | 0011       | 15874       | NUT (M10) BATTERY TERMINAL   |                           | OPT |      |
| 9     | 0011       | 26419       | NUT (#8-32) Brass SOLENOID SWITH TERMINAL                            |                           | 2   |      |
| 9     | 0011       | 400211      | NUT (M5) Stainless Steel SOLENOID SWITCH TERMINAL                    |                           | 2   |      |
| 10    | 0013       | 26995       | LOCKWASHER (#8) Stainless Steel SOLENOID SWITCH TERMINAL             |                           | 2   |      |
| 11    | 0011       | 72008       | NUT (.250-20) STARTERMOTOR TERMINAL                                  |                           | 1   |      |
| 12    | 0088       | 79023A91    | FUSE ASSEMBLY 90 Ampere  | NOT USED ON LATER ENGINES | 1   |      |
| 13    | 0012       | 96457       | WASHER Phenolic (.27 x .81 x .062) FUSE STUD                         | NOT USED ON LATER ENGINES | 1   |      |
| 14    | 0013       | 26992       | LOCKWASHER (.250) Stainless Steel FUSE STUD                          | NOT USED ON LATER ENGINES | 1   |      |
| 15    | 0011       | 21825       | NUT (.250-28) FUSE STUD  | NOT USED ON LATER ENGINES | 1   |      |
| 16    | 0000       | 78403A2     | ALTERNATOR ASSEMBLY (MOTOROLA)                                       | 37 AMP                    | 1   |      |
| 16    | 0000       | 92497A3     | ALTERNATOR ASSEMBLY (55 Ampere) (MOTOROLA)                           | 55 AMP                    | 1   | [2]  |
| 17    | 0000       | 58333       | BRACE ALTERNATOR TO EXHAUST MANIFOLD (FRONT)                         |                           | 1   |      |
| 18    | 0010       | 29198       | SCREW AND LOCKWASHER (.312-18 x .875) ALTERNATOR BRACE TO ALTERNATOR |                           | 1   |      |
| 20    | 0012       | 26168       | WASHER ALTERNATOR BRACE SCREW  |                           | 1   |      |
| 21    | 0016       | 54177       | STUD (1 3/8) BRACE TO MANIFOLD                                       | STUD ATTACHING            | 1   |      |
| 22    | 0011       | 23161       | NUT (.375-24) ALTERNATOR BRACE                                       | STUD ATTACHING            | 1   |      |
| 23    | 0010       | 98261       | SCREW (.375-16 x .750) BRACE TO MANIFOLD                             | SCREW ATTACHING           | 1   |      |
| 24    | 0012       | 20553       | WASHER (.406 x .734 x .063) ALTERNATOR BRACER STUD                   |                           | 1   |      |
| 25    | 0012       | 96457       | WASHER Phenolic (.27 x .81 x .062) BOOT ATTACHING (PHENOLIC)         |                           | 1   |      |
| 26    | 0013       | 21272       | LOCKWASHER (.250) ALTERNATOR TERMINAL                                |                           | 1   |      |

## STARTER MOTOR AND ALTERNATOR

# STARTER MOTOR AND ALTERNATOR



39311

## STARTER MOTOR AND ALTERNATOR

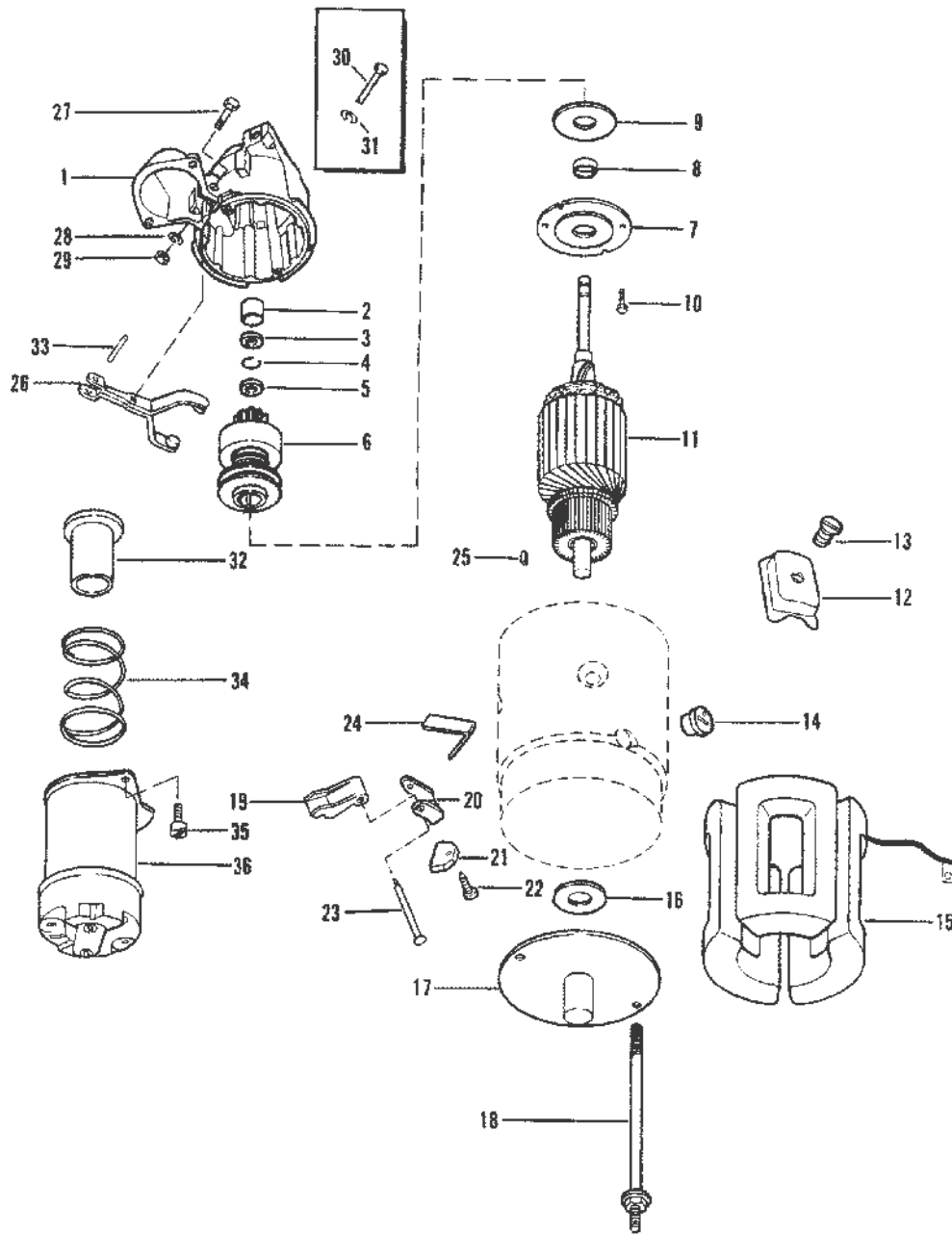
| Ref # | Part Class | Part Number | Description  | Comments       | Qty | Note |
|-------|------------|-------------|--|----------------|-----|------|
| 27    | 0011       | 64015       | NUT (.250-20) ALTERNATOR<br>TERMINAL                 |                | 1   |      |
| 28    | 0000       | 5790811     | SLEEVE (10.00 Inches Bulk)<br>ALTERNATOR LEADS       |                | 2   |      |
| 29    | 0010       | 37626       | SCREW (.375-24 x 4.250)<br>ALTERNATOR TO BRACKET     |                | 1   |      |
| 30    | 0012       | 28105       | WASHER ALTERNATOR SCREW                              |                | 1   |      |
| 31    | 0012       | 20553       | WASHER (.406 x .734 x .063)<br>ALTERNATOR TO BRACKET |                | 1   |      |
| 32    | 0023       | 63894       | SPACER ALTERNATOR TO<br>BRACKET                      |                | 1   |      |
| 33    | 0011       | 23161       | NUT (.375-24) ALTERNATOR<br>SCREW                    |                | 1   |      |
| 34    | 0000       | 16738A1     | BRACKET ALTERNATOR                                   |                | 1   |      |
| 35    | 0016       | 56826       | STUD (1.5 In.) ALTERNATOR<br>BRACKET                 | STUD ATTACHING | 2   |      |
| 36    | 0012       | 20553       | WASHER (.406 x .734 x .063)<br>BRACKET STUD          | STUD ATTACHING | 2   |      |
| 37    | 0011       | 23161       | NUT (.375-24) BRACKET STUD                           | STUD ATTACHING | 2   |      |
| 38    | 0010       | 12244       | SCREW (.375-16 x 1.00) BRACKET                       |                | 2   |      |

**PART NOTES:**

- [1] - Alternate part numbers:  
99417A 2QS  
99417R03Reman
- [2] - Alternate part numbers:  
817119R01Reman  
92497A 3QS



# STARTER MOTOR



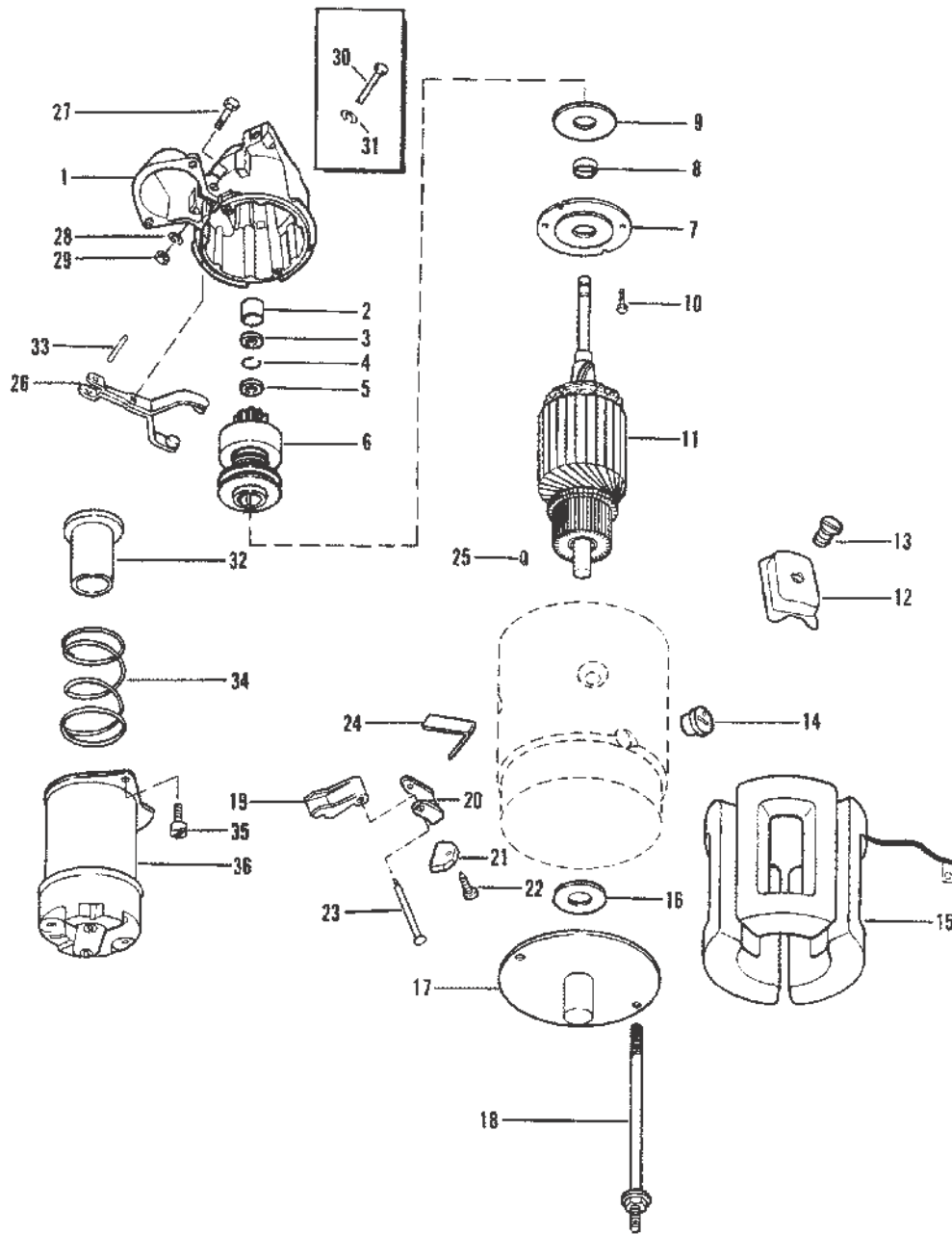
39312

## STARTER MOTOR

| Ref # | Part Class | Part Number | Description  | Comments    | Qty | Note |
|-------|------------|-------------|--|-------------|-----|------|
| -     | 0050       | 99417A2     | STARTER MOTOR ASSEMBLY   |             | 1   | [1]  |
| 1     | 0000       | 71696       | HOUSING DRIVE END  |             | 1   |      |
| 2     | 0023       | 33369       | BUSHING DRIVE END<br>HOUSING   |             | 1   |      |
| 3     | 0000       | 33292       | COLLAR THRUST  |             | 1   |      |
| 4     | 0053       | 33290       | RING Retaining PINION STOP<br>COLLAR   |             | 1   |      |
| 5     | 0000       | 33291       | COLLAR PINION STOP   |             | 1   |      |
| 6     | 0000       | 79205       | DRIVE ASSEMBLY CLUTCH  |             | 1   |      |
| 7     |            | N.S.S.      | Not Sold Separate PLATE,<br>BEARING (DELCO-REMY<br>#1956939)                 |             | 1   | [2]  |
| 8     | 0023       | 71694       | BUSHING BEARING PLATE  |             | 1   |      |
| 9     | 0012       | 68614       | WASHER BEARING PLATE   |             | 1   |      |
| 10    | 0010       | 79209       | SCREW BEARING PLATE  |             | 2   |      |
| 11    | 0000       | 75665       | ARMATURE   |             | 1   | [3]  |
| 11    | 0000       | 71693       | ARMATURE   |             | 1   | [4]  |
| 12    |            | N.S.S.      | Not Sold Separate SHOE, POLE<br>(DELCO-REMY #1931129)                        |             | 4   | [5]  |
| 12    |            | N.S.S.      | Not Sold Separate SHOE, POLE<br>(DELCO-REMY #810601)                         |             | 4   | [6]  |
| 13    |            | N.S.S.      | Not Sold Separate SCREW, POLE<br>SHOE TO FIELD COIL(DELCO-<br>REMY #1968396) |             | 4   | [2]  |
| 14    | 0025       | 79208       | GROMMET FIELD COIL - FIELD<br>FRAME  |             | 1   |      |
| 15    | 0000       | 79212       | COIL ASSEMBLY  |             | 1   | [4]  |
| 15    | 0000       | 75664       | COIL ASSEMBLY  |             | 1   | [3]  |
| 16    | 0012       | 33258       | WASHER Leather COMMUTATOR<br>END FRAME                                       |             | 1   |      |
| 17    | 0000       | 79211       | FRAME COMMUTATOR END -<br>LOWER  |             | 1   |      |
| 18    |            | N.S.S.      | Not Sold Separate THRU BOLT<br>(DELCO-REMY #1939970)                         |             | 1   | [2]  |
| 18    |            | N.S.S.      | Not Sold Separate THRU BOLT -<br>W/EXTENSION (DELCO-REMY<br>#194111)         |             | 1   | [2]  |
| 19    | 0000       | 33284       | HOLDER INSULATED-FIELD<br>FRANE BRUSH  |             | 2   |      |
| 20    | 0000       | 33283       | HOLDER FIELD FRAME BRUSH<br>GROUND   |             | 2   |      |
| 21    | 0000       | 33270       | BRUSH FIELD FRAME  |             | 4   |      |
| 22    |            | N.S.S.      | Not Sold Separate SCREW,<br>BRUSH LEAD (DELCO-REMY<br>#443527)               |             | 2   | [2]  |
| 23    | 0000       | 33294       | SUPPORT GROUND AND<br>INSULATED HOLDERS                                      |             | 2   |      |
| 24    | 0024       | 33285       | SPRING FIELD FRAME BRUSH   |             | 4   |      |
| 25    |            | N.S.S.      | Not Sold Separate DOWEL PIN-<br>FIELD FRAME (DELCO-REMY<br>#1985696)         |             | 1   | [2]  |
| 26    | 0000       | 33297       | LEVER SHIFT  | EARLY STYLE | 1   |      |

## STARTER MOTOR

# STARTER MOTOR



39312

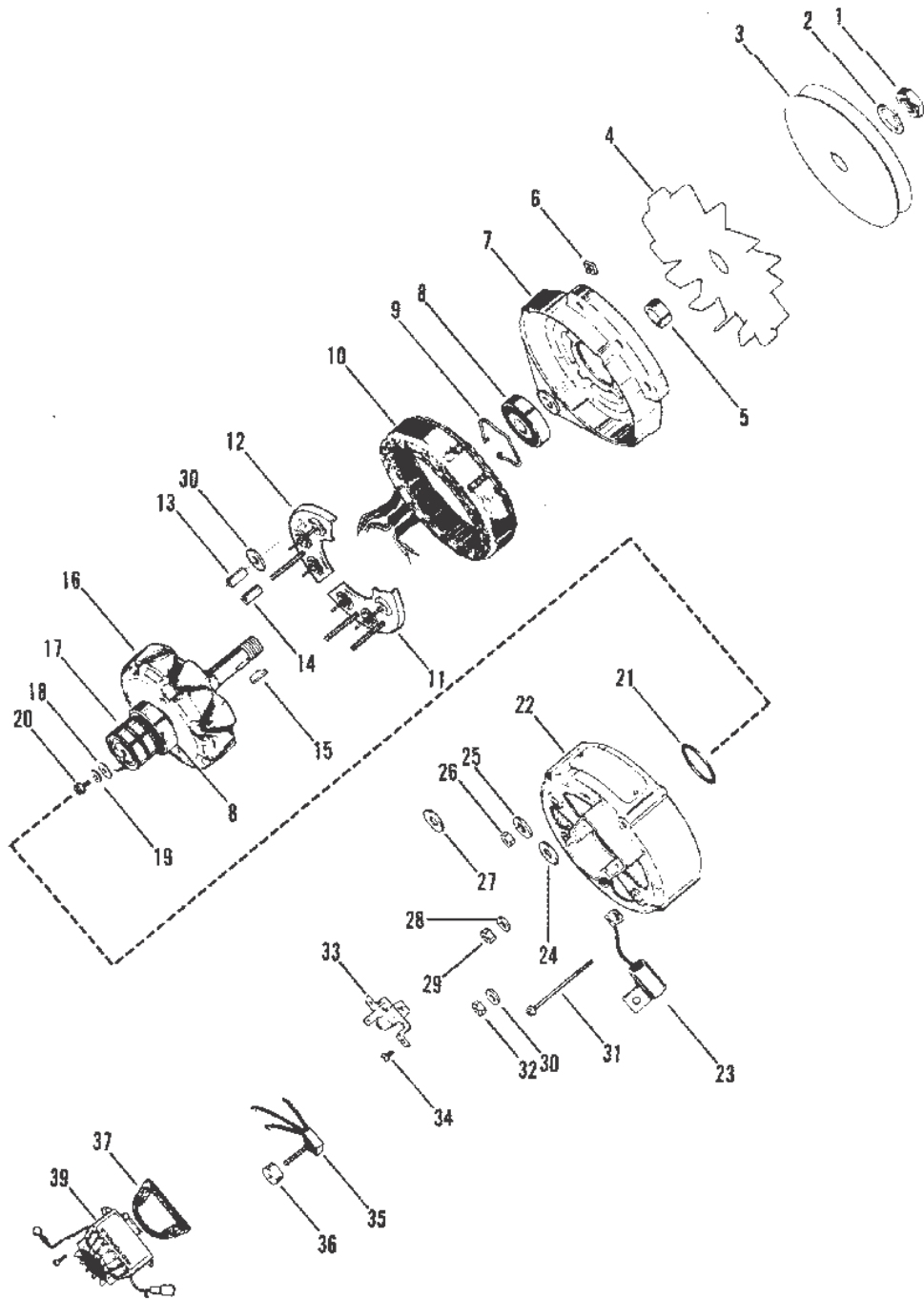
## STARTER MOTOR

| Ref # | Part Class | Part Number | Description  | Comments    | Qty | Note |
|-------|------------|-------------|--|-------------|-----|------|
| 26    | 0000       | 71698       | LEVER SHIFT  | NEW STYLE   | 1   |      |
| 27    |            | N.S.S.      | Not Sold Separate SHIFT LEVER (DELCO-REMY #1814529)            | EARLY STYLE | 1   | [2]  |
| 28    | 0012       | 68615       | WASHER SHIFT LEVER STUD  | EARLY STYLE | 1   |      |
| 29    | 0011       | 26484       | NUT (.312-18) SHIFT LEVER STUD                                 | EARLY STYLE | 1   |      |
| 30    |            | N.S.S.      | Not Sold Separate PIN (DELCO-REMY #1945804)                    | NEW STYLE   | 1   | [2]  |
| 31    | 0053       | 33354       | RING Retaining   | NEW STYLE   | 1   |      |
| 32    | 0000       | 33317       | PLUNGER SHIFT LEVER  |             | 1   |      |
| 33    | 0017       | 79207       | PIN PLUNGER TO SHIFT LEVER                                     |             | 1   |      |
| 34    | 0024       | 46889       | SPRING PLUNGER RETURN  |             | 1   |      |
| 35    |            | N.S.S.      | Not Sold Separate SCREW, SOLENOID SWITCH (DELCO-REMY #9413260) |             | 2   | [2]  |
| 36    | 0000       | 13037       | SOLENOID SWITCH (4-1/4" LONG)                                  |             | 1   |      |
| 36    | 0089       | 18080       | SOLENOID SWITCH (3.625)  |             | 1   |      |

## PART NOTES:

- [1] - Alternate part numbers:  
99417A 2QS  
99417R03Reman
- [2] - NOT SOLD SEPARATELY- ORDER FROM A LOCAL SUPPLIER USING THE APPROPRIATE MANUFACTURERS PART NUMBER.
- [3] - STARTER MOTOR [DELCO REMY #1109488
- [4] - STARTER MOTOR [DELCO-REMY #1109490
- [5] - STARTER MOTOR [DELCO-REMY #1109490  
NOT SOLD SEPARATELY- ORDER FROM A LOCAL SUPPLIER USING THE APPROPRIATE MANUFACTURERS PART NUMBER.
- [6] - STARTER MOTOR [DELCO REMY #1109488  
NOT SOLD SEPARATELY- ORDER FROM A LOCAL SUPPLIER USING THE APPROPRIATE MANUFACTURERS PART NUMBER.

# ALTERNATOR (MOTOROLA #8MR2039K)



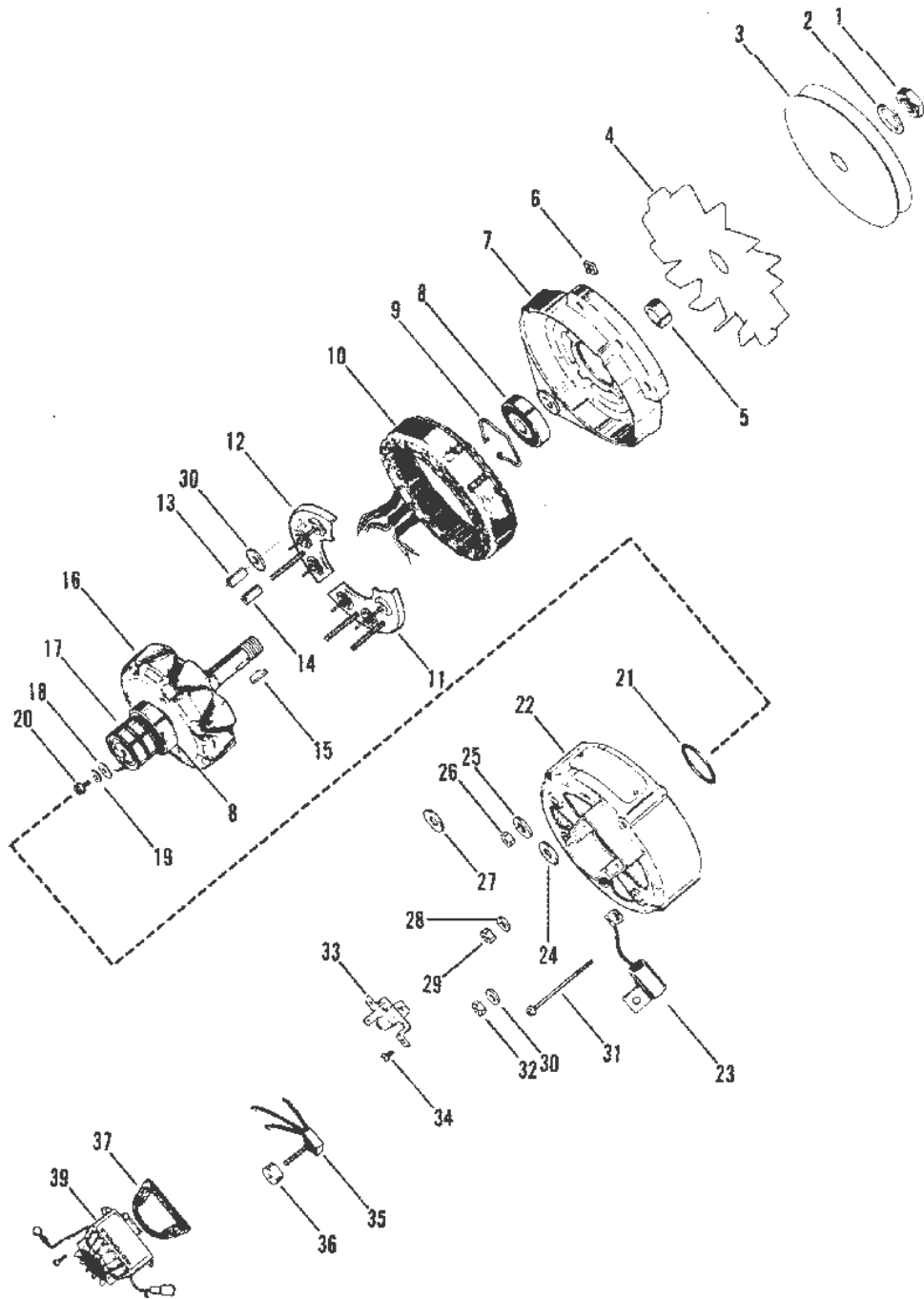
39313

## ALTERNATOR (MOTOROLA #8MR2039K)

| Ref # | Part Class | Part Number | Description                             | Comments | Qty | Note |
|-------|------------|-------------|---|----------|-----|------|
| -     | 0000       | 78403A2     | ALTERNATOR ASSEMBLY                     | (37 AMP) | 1   |      |
| -     | 0000       | 92497A3     | ALTERNATOR ASSEMBLY (55 Ampere)         | (55 AMP) | 1   | [1]  |
| 1     | 0390       | 7027        | NUT FAN AND PULLEY TO ROTOR             |          | 1   |      |
| 2     | 0390       | 7033        | LOCKWASHER FAN AND PULLEY NUT           |          | 1   |      |
| 3     | 0390       | 7017        | RING DRIVE END FRAM                     | (37 AMP) | 1   |      |
| 3     | 0390       | 8637        | PULLEY DRIVE END FRAME                  | (55 AMP) | 1   |      |
| 4     | 0390       | 7004        | FAN DRIVE END FRAME                     |          | 1   |      |
| 5     | 0390       | 7012        | SPACER FAN TO DRIVE END FRAME           |          | 1   |      |
| 6     | 0390       | 7028        | NUT THRU BOLT ATTACHING                 |          | 4   |      |
| 7     | 0390       | 7000        | COVER ASSEMBLY FRONT                    |          | 1   |      |
| 8     | 0390       | 7005        | BEARING Ball DRIVE END                  |          | 2   |      |
| 9     | 0390       | 7006        | RING DRIVE END BALL BEARING             |          | 1   |      |
| 10    | 0390       | 7002        | STATOR ASSEMBLY                         | (37 AMP) | 1   |      |
| 10    | 0390       | 8636        | STATOR ASSEMBLY                         | (55 AMP) | 1   |      |
| 11    | 0390       | 7009        | DIODE NEGATIVE                          |          | 1   |      |
| 12    | 0390       | 7010        | HEAT SINK POSITIVE                      |          | 1   |      |
| 13    | 0390       | 7020        | SLEEVE INSULATOR                        |          | 1   |      |
| 14    | 0390       | 7018        | SLEEVE INSULATOR                        |          | 1   |      |
| 15    | 0390       | 7034        | KEY ROTOR                               |          | 1   |      |
| 16    | 0390       | 7001        | ROTOR ASSEMBLY                          | (37 AMP) | 1   |      |
| 16    | 0390       | 8635        | ROTOR ASSEMBLY                          | (55 AMP) | 1   |      |
| 17    | 0390       | 7014        | SLIP RING                               |          | 1   |      |
| 18    | 0390       | 7206        | WASHER ROTOR SCREW                      |          | 1   |      |
| 19    | 0390       | 7207        | LOCKWASHER ROTOR SCREW                  |          | 1   |      |
| 20    | 0390       | 7029        | SCREW (5/8 In.) ROTOR SHAFT (5/8&quot;) |          | 1   |      |
| 21    | 0390       | 7007        | RETAINER ROTOR SHAFT BEARING            |          | 1   |      |
| 22    | 0390       | 7003        | HOUSING REAR                            |          | 1   |      |
| 23    | 0390       | 7035        | CONDENSER                               |          | 1   |      |
| 24    | 0390       | 7023        | INSULATOR REGULATOR TERMINAL STUD       |          | 1   |      |
| 25    | 0390       | 7024        | WASHER CONDENSER TERMINAL STUD          |          | 1   |      |
| 26    | 0390       | 7025        | NUT TERMINAL STUD                       |          | 1   |      |
| 27    | 0390       | 7208        | WASHER TERMINAL STUD                    |          | 1   |      |
| 28    | 0390       | 7032        | LOCKWASHER TERMINAL STUD                |          | 2   |      |
| 29    | 0390       | 7026        | NUT TERMINAL ATTACHING                  |          | 1   |      |
| 30    | 0390       | 7022        | WASHER CONDENSER TERMIANL STUD          |          | 1   |      |
| 31    | 0390       | 7016        | BOLT (3 In.)                            | (37 AMP) | 4   |      |
| 31    | 0390       | 8638        | THRU BOLT                               | (55 AMP) | 4   |      |
| 32    | 0390       | 7021        | NUT CONDENSER TERMINAL ATTACHING        |          | 1   |      |

ALTERNATOR (MOTOROLA #8MR2039K)

# ALTERNATOR (MOTOROLA #8MR2039K)



39313

## ALTERNATOR (MOTOROLA #8MR2039K)

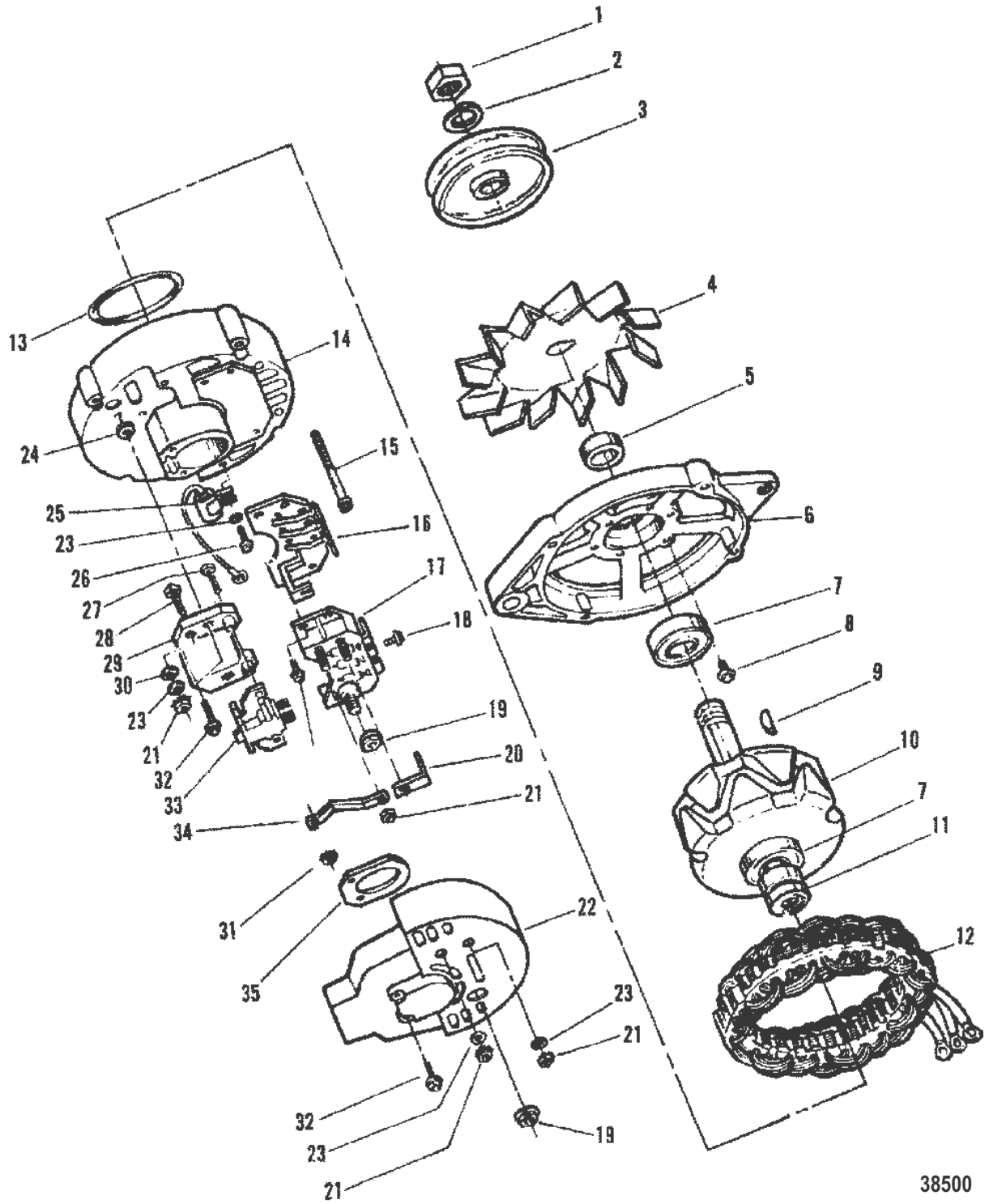
| Ref # | Part Class | Part Number | Description                                 | Comments | Qty | Note |
|-------|------------|-------------|---|----------|-----|------|
| 33    | 0390       | 7011        | HOLDER ASSEMBLY Brush                       |          | 1   |      |
| 34    | 0390       | 7030        | SCREW (1/2 In.) BRUSH HOLDER<br>(1/2&quot;) |          | 2   |      |
| 35    | 0390       | 7008        | DIODE TRIO                                  |          | 1   |      |
| 36    | 0390       | 7019        | SPACER DIODE TRIO                           |          | 1   |      |
| 37    | 0390       | 7013        | GASKET VOLTAGE<br>REGULATOR                 |          | 1   |      |
| 38    | 0390       | 7036        | REGULATOR Voltage                           |          | 1   |      |
| 39    | 0390       | 7015        | SCREW VOLTAGE REGULATOR<br>ATTACHING        |          | 4   |      |

**PART NOTES:**

- [1] - Alternate part numbers:  
817119R01Reman  
92497A 3QS



# ALTERNATOR (MOTOROLA #8EM2003KA)



38500

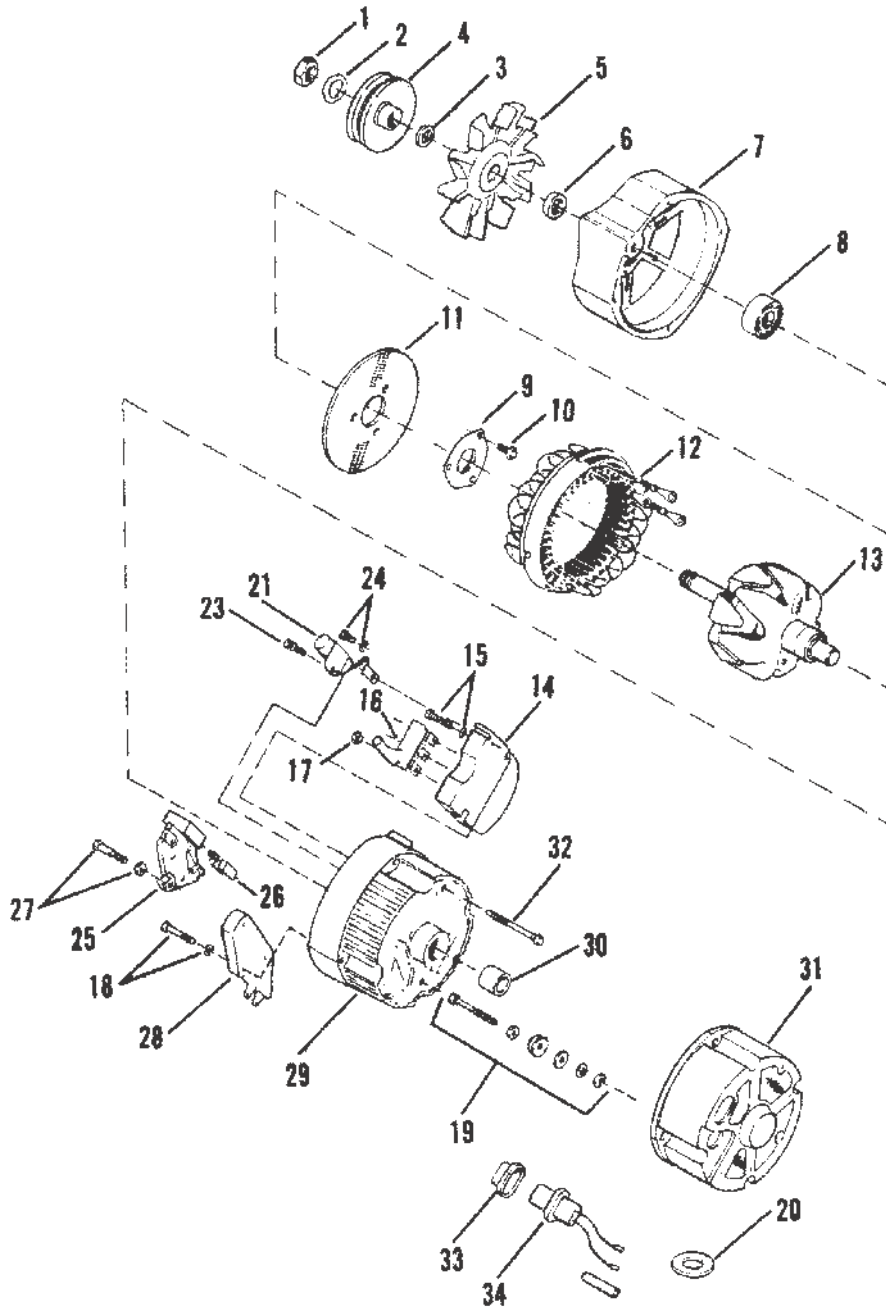
## ALTERNATOR (MOTOROLA #8EM2003KA)

| Ref # | Part Class | Part Number | Description                              | Comments | Qty | Note |
|-------|------------|-------------|--|----------|-----|------|
| -     | 0000       | 92497A3     | ALTERNATOR ASSEMBLY (55 Ampere) (55 AMP) |          | 1   | [1]  |
| 1     | 0390       | 7027        | NUT                                      |          | 1   |      |
| 2     | 0390       | 7033        | LOCKWASHER                               |          | 1   |      |
| 3     | 0390       | 8637        | PULLEY                                   |          | 1   |      |
| 4     | 0390       | 7004        | FAN                                      |          | 1   |      |
| 5     | 0000       | 813969      | SPACER                                   |          | 1   |      |
| 6     | 0000       | 813961      | HOUSING Front FRONT                      |          | 1   |      |
| 7     | 0390       | 7005        | BEARING Ball                             |          | 2   |      |
| 8     | 0010       | 813978      | SCREW                                    |          | 4   |      |
| 9     | 0390       | 7034        | KEY                                      |          | 1   |      |
| 10    | 0000       | 813962      | ROTOR                                    |          | 1   |      |
| 11    | 0390       | 7014        | SLIP RING                                |          | 1   |      |
| 12    | 0000       | 813963      | STATOR                                   |          | 1   |      |
| 13    | 0390       | 7007        | RETAINER                                 |          | 1   |      |
| 14    | 0000       | 813964      | HOUSING Rear REAR                        |          | 1   |      |
| 15    | 0010       | 813975      | THRU BOLT                                |          | 4   |      |
| 16    | 0000       | 813966      | DIODE BRIDGE                             |          | 1   |      |
| 17    | 0000       | 813965      | DIODE FIELD                              |          | 1   |      |
| 18    | 0010       | 813981      | SCREW                                    |          | 3   |      |
| 19    | 0011       | 813976      | NUT                                      |          | 2   |      |
| 20    | 0000       | 813973      | STRAP                                    |          | 1   |      |
| 21    | 0390       | 7021        | NUT                                      |          | 5   |      |
| 22    | 0000       | 813971      | COVER                                    |          | 1   |      |
| 23    | 0012       | 813984      | WASHER                                   |          | 5   |      |
| 24    | 0390       | 7022        | WASHER                                   |          | 2   |      |
| 25    | 0000       | 813972      | CAPACITOR                                |          | 1   |      |
| 26    | 0010       | 813982      | SCREW                                    |          | 1   |      |
| 27    | 0010       | 813979      | SCREW                                    |          | 2   |      |
| 28    | 0010       | 813983      | SCREW                                    |          | 2   |      |
| 29    | 0000       | 813974      | REGULATOR Voltage                        |          | 1   |      |
| 30    | 0012       | 813985      | WASHER                                   |          | 2   |      |
| 31    | 0011       | 813977      | NUT                                      |          | 2   |      |
| 32    | 0010       | 813980      | SCREW                                    |          | 8   |      |
| 33    | 0000       | 813968      | BRUSH ASSEMBLY                           |          | 1   |      |
| 34    | 0000       | 813967      | STRAP (D+)                               |          | 1   |      |
| 35    | 0027       | 813970      | GASKET                                   |          | 1   |      |

## PART NOTES:

- [1] - Alternate part numbers:  
817119R01Reman  
92497A 3QS

# ALTERNATOR (DELCO-REMY #1103113)



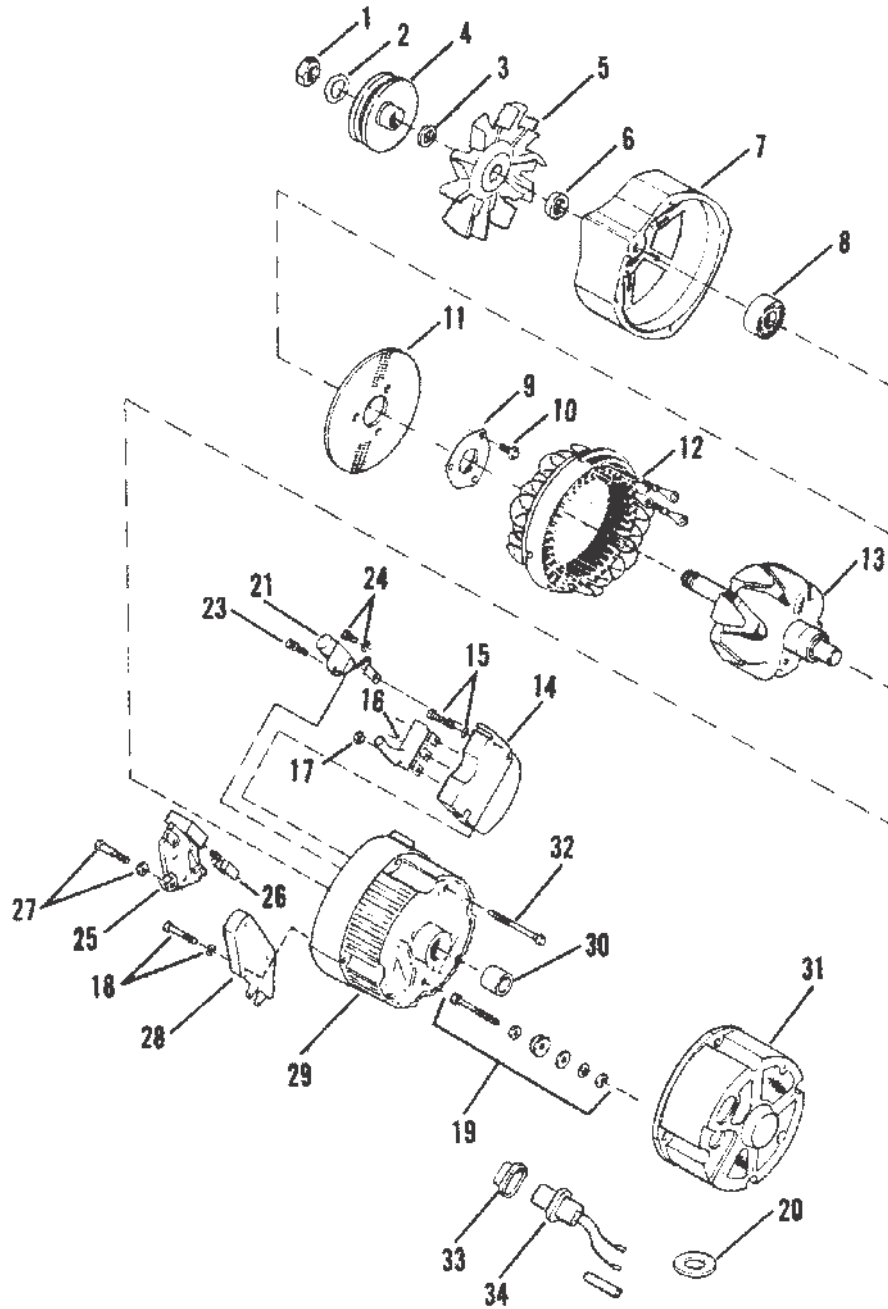
39314

## ALTERNATOR (DELCO-REMY #1103113)

| Ref # | Part Class | Part Number | Description   | Comments | Qty | Note |
|-------|------------|-------------|---|----------|-----|------|
| -     |            | N.S.S.      | Not Sold Separate ALTERNATOR (DELCO-REMY #1103113)(37 AMP)            |          | 1   | [1]  |
| 1     |            | N.S.S.      | Not Sold Separate NUT, FAN AND PULLEY TO ROTOR (DELCO-REMY #1915172)  |          | 1   | [1]  |
| 2     |            | N.S.S.      | Not Sold Separate LOCKWASHER, FAN/PULLEY NUT (DELCO REMY #1941978)    |          | 1   | [1]  |
| 3     | 0000       | 90667       | COLLAR SHAFT - BETWEEN FAN AND PULLEY                                 |          | 1   |      |
| 4     | 0000       | 90669       | PULLEY DRIVE END FRAME  |          | 1   |      |
| 5     |            | N.S.S.      | Not Sold Separate FAN, DRIVE END FRAME (DELCO-REMY #1959703)          |          | 1   | [1]  |
| 6     |            | N.S.S.      | Not Sold Separate COLLAR, DRIVE END FRAME (DELCO-REMY #1959991)       |          | 1   | [1]  |
| 7     | 0000       | 56954       | FRAME DRIVE END   |          | 1   |      |
| 8     | 0030       | 90665       | BEARING Ball DRIVE END FRAME  |          | 1   |      |
| 9     | 0000       | 90666       | PLATE BALL BEARING RETAINER   |          | 1   |      |
| 10    |            | N.S.S.      | Not Sold Separate SCREW, RETAINER PLATE (DELCO-REMY #1965104)         |          | 3   | [1]  |
| 11    | 0000       | 90668       | SCREEN Drive End Frame  |          | 1   |      |
| 12    | 0000       | 56935       | STATOR ASSEMBLY   |          | 1   |      |
| 13    | 0000       | 56934       | ROTOR   |          | 1   |      |
| 14    | 0000       | 56939       | RECTIFIER BRIDGE  |          | 1   |      |
| 15    | 0010       | 71702       | SCREW RECTIFIER BRIDGE  |          | 1   |      |
| 16    | 0000       | 56938       | DIODE TRIO  |          | 1   |      |
| 17    | 0011       | 21923       | NUT ( 8-32) DIODE TRIO TO RECTIFIER BRIDGE TERMINAL                   |          | 3   |      |
| 18    | 0010       | 71703       | SCREW BRUSH HOLDER - GROUND   |          | 1   |      |
| 19    | 0000       | 60692       | TERMINAL PACKAGE BATTERY  |          | 1   |      |
| 20    | 0012       | 56947       | WASHER SPONGE NEOPRENE (1-1/4" O.D.)                                  |          | 1   |      |
| 21    | 0000       | 58296       | CONDENSER   |          | 1   |      |
| 23    | 0010       | 60693       | SCREW CONDENSER   |          | 1   |      |
| 24    | 0010       | 60693       | SCREW CONDENSER LEAD TERMINAL   |          | 1   |      |
| 25    | 0000       | 42791       | HOLDER AND BRUSH ASSEMBLY   |          | 1   |      |
| 26    | 0024       | 56943       | SPRING TENSION - BRUSHES  |          | 2   |      |
| 27    | 0010       | 60691       | SCREW BRUSH HOLDER - INSULATED  |          | 2   |      |
| 28    | 0000       | 78385       | REGULATOR Voltage TRANSISTOR  |          | 1   |      |
| 29    |            | N.S.S.      | Not Sold Separate FRAME ASSEMBLY, SLIP RING END (DELCO-REMY #1852101) |          | 1   | [1]  |
| 30    | 0031       | 60690       | BEARING Roller SLIP RING END FRAME                                    |          | 1   |      |

## ALTERNATOR (DELCO-REMY #1103113)

# ALTERNATOR (DELCO-REMY #1103113)



39314

Cat.# 90-41261

## ALTERNATOR (DELCO-REMY #1103113)

| Ref # | Part Class | Part Number | Description                         | Comments | Qty | Note |
|-------|------------|-------------|-------------------------------------|----------|-----|------|
| 31    | 0000       | 90670       | COVER ASSEMBLY SLIP RING<br>END     |          | 1   |      |
| 32    | 0010       | 33322       | BOLT THRU                           |          | 4   |      |
| 33    | 0000       | 78386       | BOOT VOLTAGE REGULATOR<br>TERMIANLS |          | 1   |      |
| 34    | 0000       | 90671       | CONNECTOR                           |          | 1   |      |

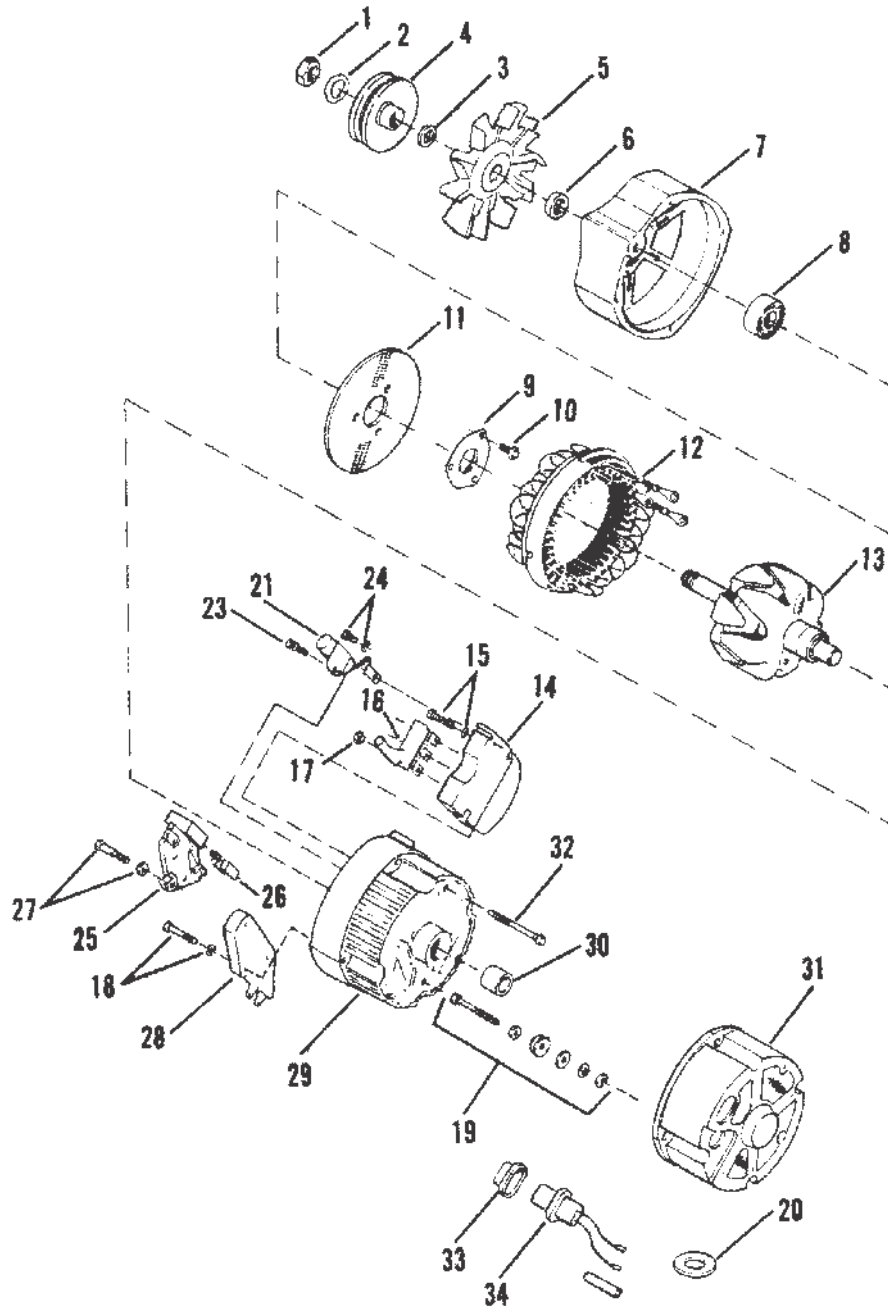
**PART NOTES:**

- [1] - NOT SOLD SEPARATELY- ORDER FROM A LOCAL SUPPLIER USING THE APPROPRIATE MANUFACTURERS PART NUMBER.

---

ALTERNATOR (DELCO-REMY #1103113)

# ALTERNATOR (DELCO-REMY #1105064)



39314

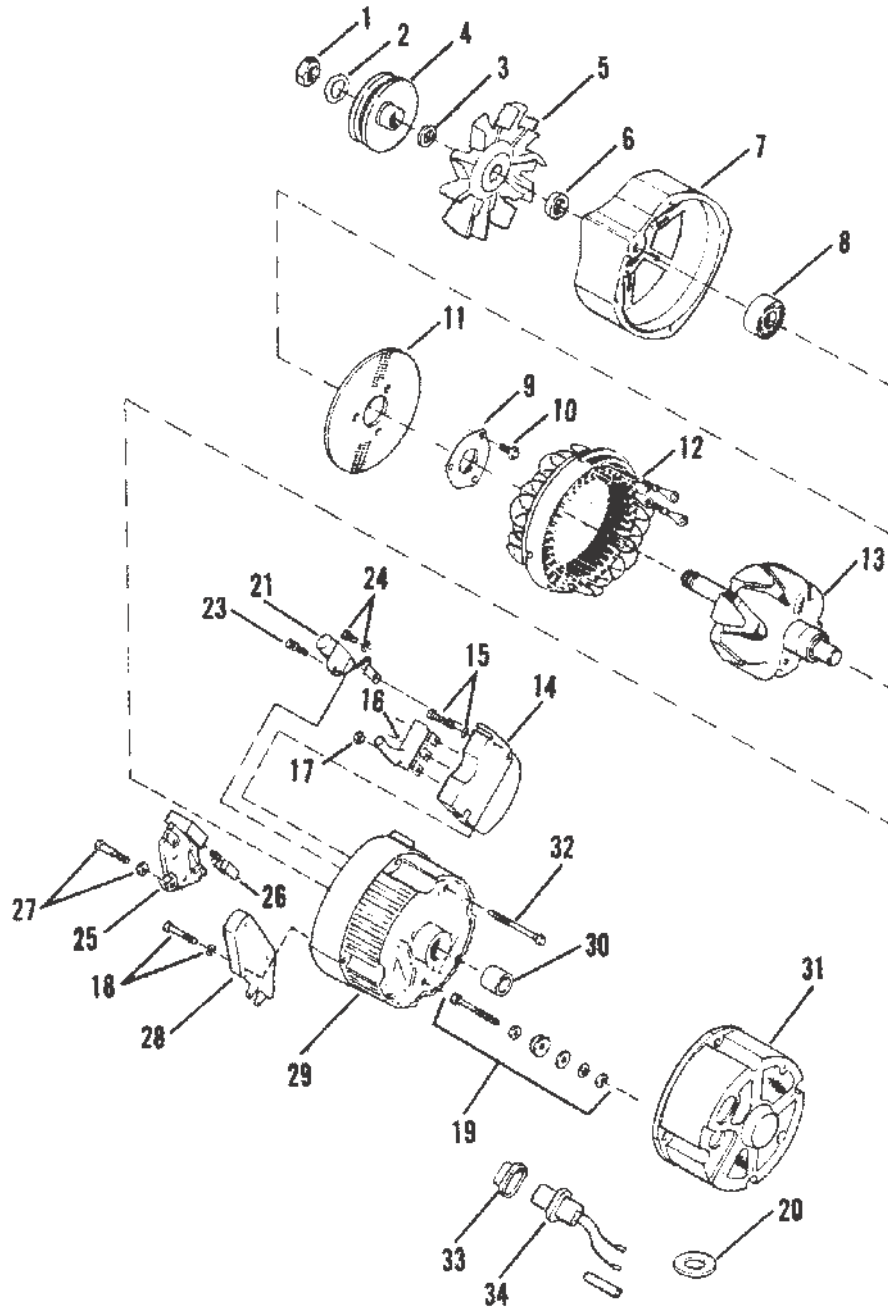
## ALTERNATOR (DELCO-REMY #1105064)

| Ref # | Part Class | Part Number | Description   | Comments | Qty | Note |
|-------|------------|-------------|---|----------|-----|------|
| -     |            | N.S.S.      | Not Sold Separate ALTERNATOR (DELCO-REMY #1105064)(42 AMP)            |          | 1   | [1]  |
| 1     |            | N.S.S.      | Not Sold Separate NUT, FAN AND PULLEY TO ROTOR (DELCO-REMY #1915172)  |          | 1   | [1]  |
| 2     |            | N.S.S.      | Not Sold Separate LOCKWASHER, FAN/PULLEY NUT (DELCO-REMY #1941978)    |          | 1   | [1]  |
| 3     | 0000       | 90667       | COLLAR SHAFT - BETWEEN FAN AND PULLEY                                 |          | 1   |      |
| 4     | 0000       | 90669       | PULLEY DRIVE END FRAME  |          | 1   |      |
| 5     |            | N.S.S.      | Not Sold Separate FAN, DRIVE END FRAME (DELCO-REMY #800594)           |          | 1   | [1]  |
| 6     |            | N.S.S.      | Not Sold Separate COLLAR, DRIVE END FRAME (DELCO-REMY #1978250)       |          | 1   | [1]  |
| 7     | 0000       | 42792       | FRAME DRIVE END   |          | 1   |      |
| 8     | 0030       | 90665       | BEARING Ball DRIVE END FRAME  |          | 1   |      |
| 9     | 0000       | 90666       | PLATE BALL BEARING RETAINER   |          | 1   |      |
| 10    |            | N.S.S.      | Not Sold Separate SCREW, RETAINER PLATE (DELCO-REMY #1965104)         |          | 3   | [1]  |
| 11    | 0000       | 90668       | SCREEN Drive End Frame  |          | 1   |      |
| 12    | 0000       | 42787       | STATOR ASSEMBLY   |          | 1   |      |
| 13    | 0000       | 42786       | ROTOR   |          | 1   |      |
| 14    | 0000       | 42789       | FITTING   |          | 1   |      |
| 15    | 0010       | 42790       | SCREW RECTIFIER BRIDGE  |          | 1   |      |
| 16    | 0000       | 42788       | DIODE TRIO  |          | 1   |      |
| 17    | 0011       | 21923       | NUT ( 8-32) DIODE TRIO TO RECTIFIER BRIDGE TERMINAL                   |          | 3   |      |
| 18    |            | N.S.S.      | Not Sold Separate SCREW, BRUSH HOLDER - GROUND (DELCO-REMY #1975737)  |          | 1   | [1]  |
| 19    | 0000       | 60692       | TERMINAL PACKAGE BATTERY  |          | 1   |      |
| 20    | 0012       | 56947       | WASHER SPONGE NEOPRENE (1-1/4" O.D.)                                  |          | 1   |      |
| 21    | 0000       | 58296       | CONDENSER   |          | 1   |      |
| 23    | 0010       | 60693       | SCREW CONDENSER   |          | 1   |      |
| 24    | 0010       | 60693       | SCREW CONDENSER LEAD TERMINAL   |          | 1   |      |
| 25    | 0000       | 42791       | HOLDER AND BRUSH ASSEMBLY   |          | 1   |      |
| 26    | 0024       | 56943       | SPRING TENSION - BRUSHES  |          | 2   |      |
| 27    | 0010       | 60691       | SCREW BRUSH HOLDER - INSULATED  |          | 2   |      |
| 28    | 0000       | 78385       | REGULATOR Voltage TRANSISTOR  |          | 1   |      |
| 29    |            | N.S.S.      | Not Sold Separate FRAME ASSEMBLY, SLIP RING END (DELCO-REMY #1984460) |          | 1   | [1]  |

## ALTERNATOR (DELCO-REMY #1105064)



# ALTERNATOR (DELCO-REMY #1105064)



39314

Cat.# 90-41261

## ALTERNATOR (DELCO-REMY #1105064)

| Ref # | Part Class | Part Number | Description                           | Comments | Qty | Note |
|-------|------------|-------------|---------------------------------------|----------|-----|------|
| 30    | 0031       | 60690       | BEARING Roller SLIP RING END<br>FRAME |          | 1   |      |
| 31    | 0000       | 90670       | COVER ASSEMBLY SLIP RING<br>END       |          | 1   |      |
| 32    | 0010       | 33322       | BOLT THRU                             |          | 4   |      |
| 33    | 0000       | 78386       | BOOT VOLTAGE REGULATOR<br>TERMINALS   |          | 1   |      |
| 34    | 0000       | 90671       | CONNECTOR                             |          | 1   |      |

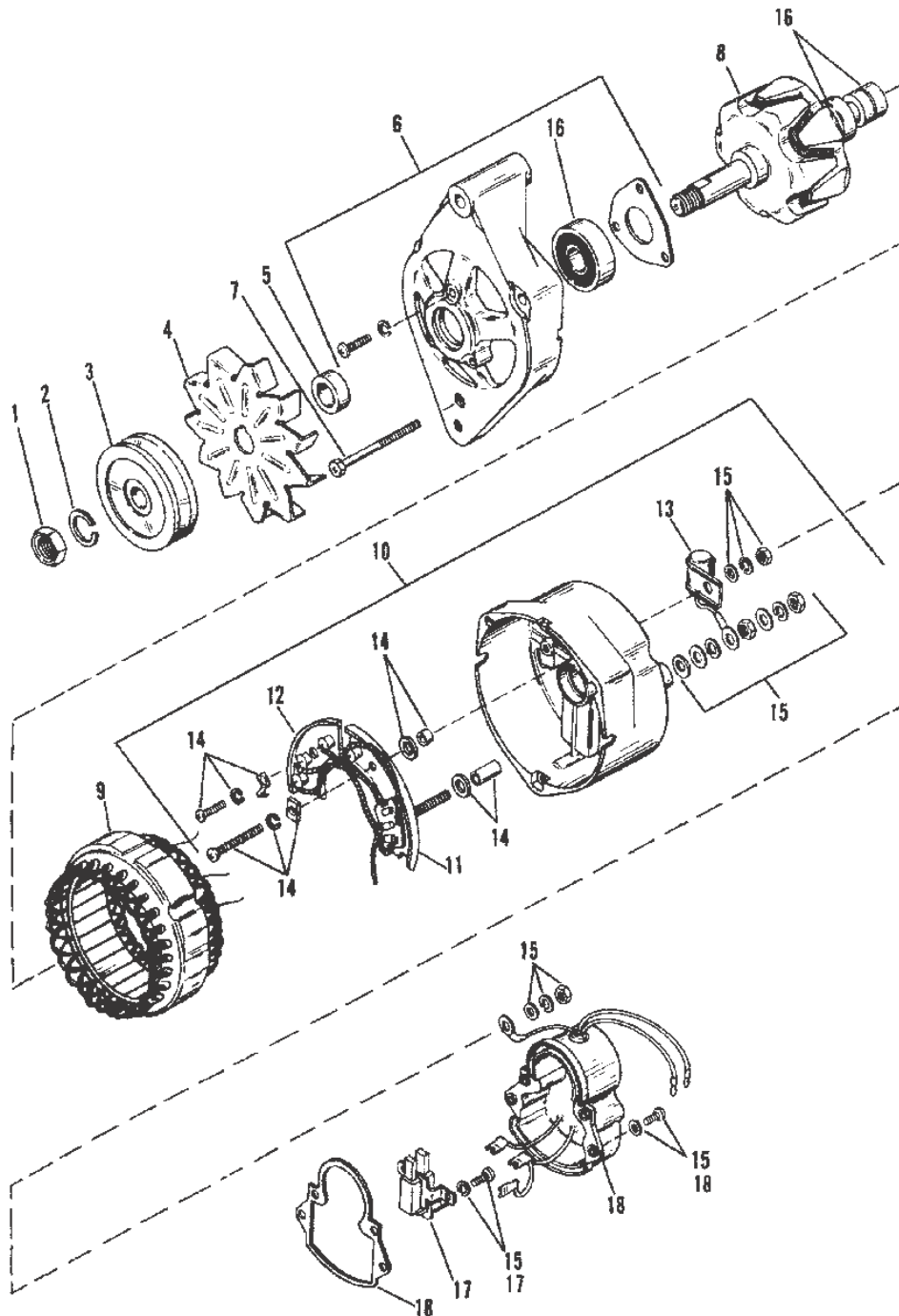
**PART NOTES:**

- [1] - NOT SOLD SEPARATELY- ORDER FROM A LOCAL SUPPLIER USING THE APPROPRIATE MANUFACTURERS PART NUMBER.

---

ALTERNATOR (DELCO-REMY #1105064)

# Alternator (Mando)

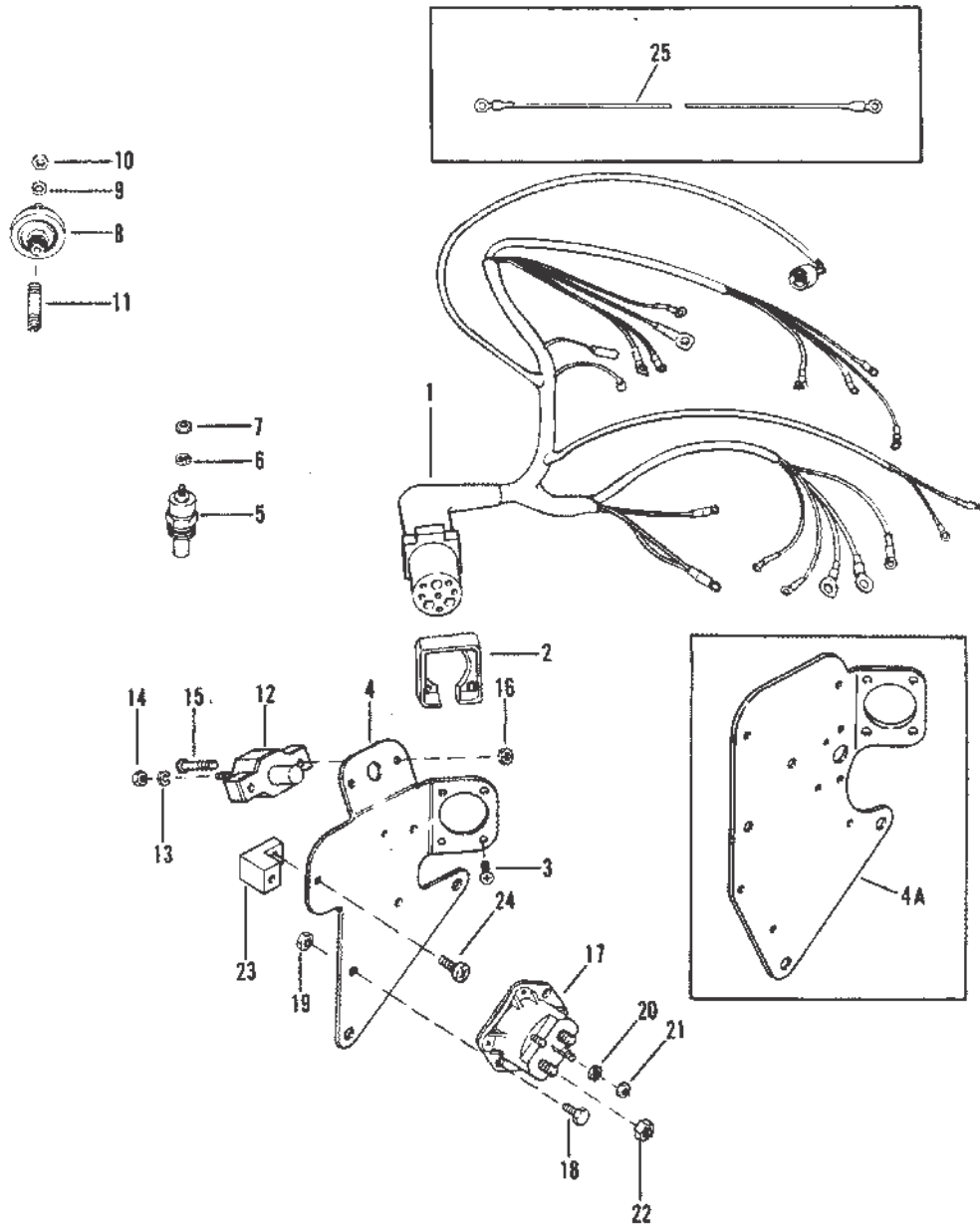


8186

## Alternator (Mando)

| Ref # | Part Class | Part Number | Description                               | Comments | Qty | Note |
|-------|------------|-------------|---|----------|-----|------|
| 1     | 0011       | 42768       | NUT                                       |          | 1   |      |
| 2     | 0013       | 42769       | LOCKWASHER                                |          | 1   |      |
| 3     | 0000       | 42770       | PULLEY                                    |          | 1   |      |
| 4     | 0000       | 42771       | FAN                                       |          | 1   |      |
| 5     | 0023       | 42772       | SPACER                                    |          | 1   |      |
| 6     | 0000       | 42774       | BRACKET FRONT                             |          | 1   |      |
| 7     | 0010       | 42773       | THRU BOLT                                 |          | 3   |      |
| 8     | 0000       | 42775       | ROTOR (INCLUDES BEARINGS)                 |          | 1   |      |
| 9     | 0000       | 42776       | STATOR                                    |          | 1   |      |
| 10    | 0000       | 42777       | BRACKET REAR                              |          | 1   |      |
| 11    | 0000       | 42778       | HEAT SINK (+)                             |          | 1   |      |
| 12    | 0000       | 42779       | HEAT SINK (-)                             |          | 1   |      |
| 13    | 0000       | 42780       | CONDENSER ASSEMBLY                        |          | 1   |      |
| 14    | 0000       | 42783       | HARDWARE KIT INTERNAL                     |          | 1   |      |
| 15    | 0000       | 42782       | HARDWARE KIT EXTERNAL                     |          | 1   |      |
| 16    | 0000       | 42781       | BEARING KIT                               |          | 1   |      |
| 17    | 0000       | 42784       | HOLDER KIT (INCLUDES SPRINGS AND BRUSHES) |          | 1   |      |
| 18    | 0000       | 42785       | REGULATOR KIT                             |          | 1   |      |

# WIRING HARNESS AND ELECTRICAL COMPONENTS



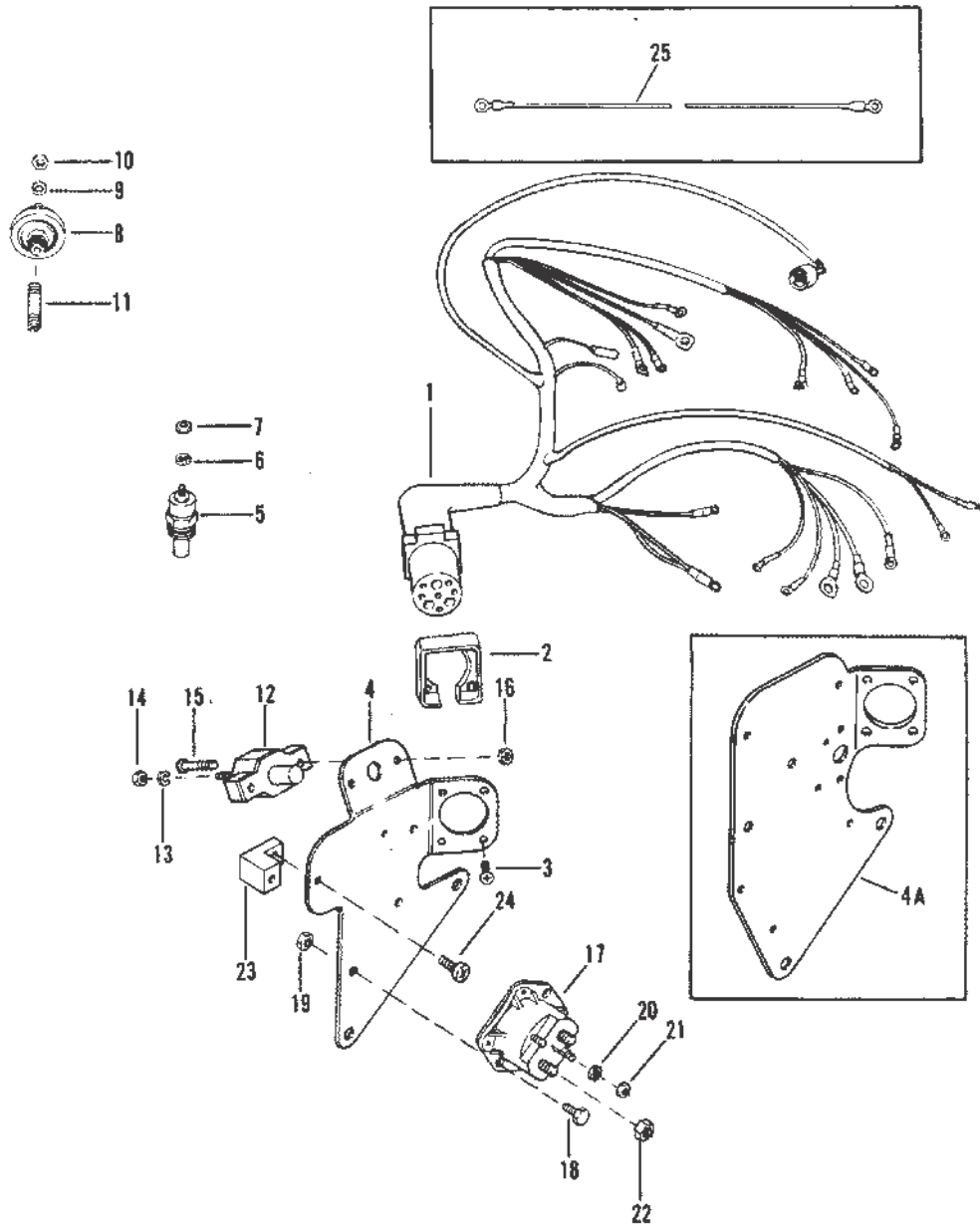
39315

## WIRING HARNESS AND ELECTRICAL COMPONENTS

| Ref # | Part Class | Part Number | Description   | Comments | Qty | Note |
|-------|------------|-------------|---|----------|-----|------|
| 1     | 0084       | 98422A4     | HARNESS ASSEMBLY (SHIFT COMPONENTS/BRACKET)                 |          | 1   | [1]  |
| 1     | 0084       | 98422A10    | HARNESS ASSEMBLY (SHIFT COMPONENTS/ROCKER COVER)            |          | 1   | [1]  |
| 1     | 0084       | 98422A11    | HARNESS ASSEMBLY (DIGITAL IGNITION)                         |          | 1   |      |
| 2     | 0000       | 26079       | PLATE WIRING HARNESS - METAL                                |          | 1   |      |
| 3     | 0010       | 34696       | SCREW (#8-32 x .750) PLATE - METAL                          |          | 4   |      |
| 2     | 0000       | 26079A2     | PLATE KIT Wire Harness Mount PLASTIC                        |          | 1   |      |
| 3     | 0010       | 15001       | SCREW (#8-16 x .875) PLATE - PLASTIC                        |          | 4   |      |
| 4     | 0000       | 98428A2     | BRACKET MOUNTING (CONVENTIONAL IGNITION)                    |          | 1   |      |
| 4A    | 0000       | 19427T      | BRACKET MOUNTING (DIGITAL IGNITION)                         |          | 1   |      |
| 5     | 0000       | 97257A1     | SENDER ASSEMBLY Water Temperature                           |          | 1   |      |
| 5     | 0000       | 49734A1     | SENDER ASSEMBLY Water Temperature (DUAL)                    |          | OPT |      |
| 6     | 0013       | 26996       | LOCKWASHER (#10) Stainless Steel                            |          | 1   |      |
| 7     | 0011       | 68219       | NUT (#10-32) Stainless Steel                                |          | 1   |      |
| 8     | 0000       | 90806       | SENDER  |          | 1   |      |
| 8     | 0000       | 37293       | SENDER ASSEMBLY Oil Pressure (DUAL)                         |          | OPT |      |
| 9     | 0013       | 26996       | LOCKWASHER (#10) Stainless Steel                            |          | 1   |      |
| 10    | 0011       | 68219       | NUT (#10-32) Stainless Steel                                |          | 1   |      |
| 11    | 0022       | 32974       | FITTING (.125-27) Adaptor OIL PRESSURE SENDER               |          | 1   |      |
| 12    | 0088       | 11178       | BREAKER Circuit - 50 Ampere                                 |          | AR  |      |
| 12    | 0088       | 93582       | BREAKER Circuit - 60 Ampere                                 |          | AR  |      |
| 13    | 0013       | 26996       | LOCKWASHER (#10) Stainless Steel CIRCUIT BREAKER TERMINAL   |          | 2   |      |
| 14    | 0011       | 68219       | NUT (#10-32) Stainless Steel CIRCUIT BREAKER TERMINAL       |          | 2   |      |
| 15    | 0010       | 45862       | SCREW (#10-32 x .875) CIRCUIT BREAKER                       |          | 2   |      |
| 16    | 0011       | 46438       | NUT (#10-32) INSULATOR SCREW                                |          | 2   |      |
| 17    | 0089       | 96158       | SOLENOID Starter  |          | 1   |      |
| 18    | 0010       | 98256       | SCREW (.250-28 x .500) STARTER SOLENOID                     |          | 2   |      |
| 19    | 0011       | 20586       | NUT (.250-28) STARTER SOLENOID SCREW                        |          | 2   |      |
| 20    | 0013       | 26992       | LOCKWASHER (.250) Stainless Steel STARTER SOLENOID TERMINAL |          | 2   |      |
| 21    | 0011       | 26419       | NUT (#8-32) Brass   |          | 2   |      |
| 22    | 0011       | 94330       | NUT (.250-20) Brass   |          | 2   |      |

## WIRING HARNESS AND ELECTRICAL COMPONENTS

# WIRING HARNESS AND ELECTRICAL COMPONENTS



39315

## WIRING HARNESS AND ELECTRICAL COMPONENTS

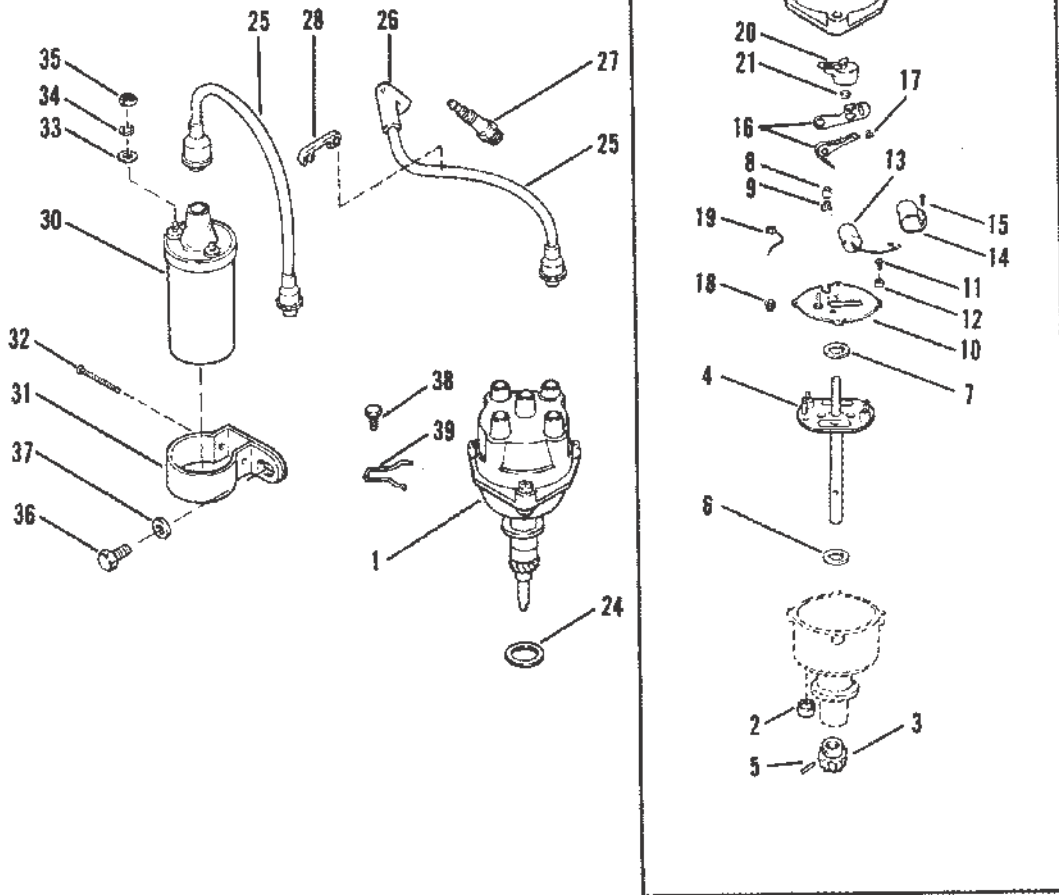
| Ref # | Part Class | Part Number | Description                                  | Comments   | Qty | Note |
|-------|------------|-------------|--|--|-----|------|
| 23    | 0086       | 45915       | TERMINAL BLOCK                               | USE WITH RING TERMINALS  | 1   |      |
| 24    | 0010       | 62568       | SCREW (#10-16 x .375) TERMINAL BLOCK         | USE WITH RING TERMINALS  | 1   |      |
| 24    | 0010       | 35519       | SCREW (#10-16 x .500) TERMINAL BLOCK         | USE WITH RING TERMINALS  | 1   |      |
| 25    | 0084       | 94227A2     | RESISTOR WIRE KIT (TO REPLACE RESISTER WIRE) |  | 1   |      |
| -     | 0084       | 11149A5     | HARNESS ASSEMBLY Adapter                     | THIS KIT IS USED TO ADAPT "RING TERMINAL" AND "BULLET CONNECTOR" WIRING HARNESSES. | 1   |      |

## PART NOTES:

[1] - USED WITH CONVENTIONAL IGNITION



# CONVENTIONAL IGNITION COMPONENTS



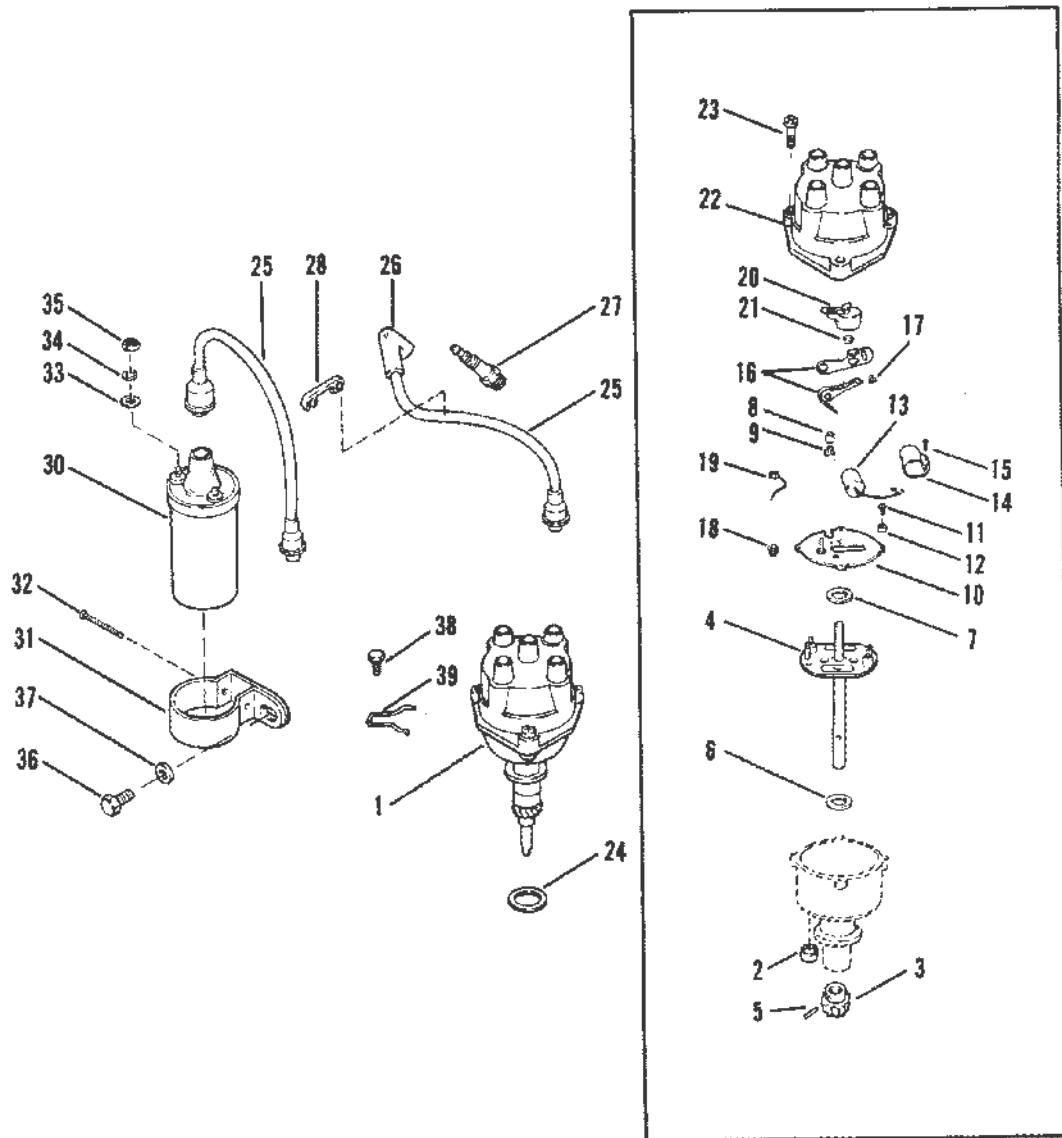
39316

## CONVENTIONAL IGNITION COMPONENTS

| Ref # | Part Class | Part Number | Description   | Comments | Qty | Note |
|-------|------------|-------------|---|----------|-----|------|
| 1     | 0000       | 87581       | DISTRIBUTOR ASSEMBLY COMPLETE   |          | 1   |      |
| 2     | 0000       | 62426       | SCREW VENT - DISTRIBUTOR HOUSING                                      |          | 2   |      |
| 3     | 0043       | 33664       | GEAR DRIVE - MAIN SHAFT   |          | 1   |      |
| 4     | 0000       | 87597       | SHAFT AND PLATE   |          | 1   |      |
| 5     | 0017       | 33649       | PIN Drive DRIVE GEAR TO MAIN SHAFT                                    |          | 1   |      |
| 6     |            | N.S.S.      | Not Sold Separate WASHER, CAM AND SHAFT (DELCO-REMY #817051)          |          | 1   | [1]  |
| 7     | 0026       | 58219       | SEAL HOUSING  |          | 1   |      |
| 8     | 0000       | 33653       | FELT BREAKER CAM LUBRICATOR   |          | 1   |      |
| 9     | 0000       | 72654       | RETAINER BREAKER CAM LUBRICATOR FELT                                  |          | 1   |      |
| 10    |            | N.S.S.      | Not Sold Separate PLATE, MOUNTING (DELCO-REMY #1960814)               |          | 1   | [1]  |
| 11    |            | N.S.S.      | Not Sold Separate SCREW, MOUNTING PLATE (DELCO-REMY #453461)          |          | 2   | [1]  |
| 12    | 0012       | 62425       | WASHER BREAKER PLATE SUPPORT SCREW                                    |          | 2   |      |
| 13    | 0000       | 33662       | CONDENSER   |          | 1   | [2]  |
| 14    | 0000       | 48024       | BRACKET CONDENSER MOUNTING  |          | 1   |      |
| 15    | 0010       | 48021       | SCREW CONDENSER BRACKET ATTACHING                                     |          | 1   |      |
| 16    | 0000       | 34235       | BREAKER ASSEMBLY DISTRIBUTOR  |          | 1   | [3]  |
| 17    | 0010       | 33650       | SCREW BREAKER ASSEMBLY TO MOUNTING PLATE                              |          | 1   |      |
| 18    | 0025       | 33666       | GROMMET MOUNTING PLATE - PRIMARY WIRE                                 |          | 1   |      |
| 19    | 0000       | 33658       | LEAD PRIMARY  |          | 1   |      |
| 20    | 0000       | 58217       | ROTOR DISTRIBUTOR   |          | 1   | [4]  |
| 21    | 0012       | 36275       | WASHER ROTOR  |          | 1   |      |
| 22    | 0393       | 9459        | CAP Distributor   |          | 1   | [5]  |
| 23    |            | N.S.S.      | Not Sold Separate SCREW, DISTRIBUTOR CAP (8-32)(DELCO-REMY #1954571)  |          | 1   | [1]  |
| 23    |            | N.S.S.      | Not Sold Separate SCREW, DISTRIBUTOR CAP (10-32)(DELCO-REMY #1957573) |          | 1   | [1]  |
| 24    | 0027       | 87707       | GASKET DISTRIBUTOR  |          | 1   | [6]  |
| 25    | 0084       | 813720A5    | SPARK PLUG WIRE KIT   |          | 1   |      |
| 26    | 0085       | 63709A1     | BOOT/TERMINAL KIT HIGH TENSION LEAD                                   |          | 4   |      |
| 27    | 0033       | 59571       | SPARK PLUG  |          | 4   | [7]  |
| 28    | 0000       | 32782       | RETAINER HIGH TENSION LEADS   |          | 1   |      |
| 30    | 0000       | 32193A2     | COIL ASSEMBLY IGNITION  |          | 1   |      |

### CONVENTIONAL IGNITION COMPONENTS

# CONVENTIONAL IGNITION COMPONENTS



39316

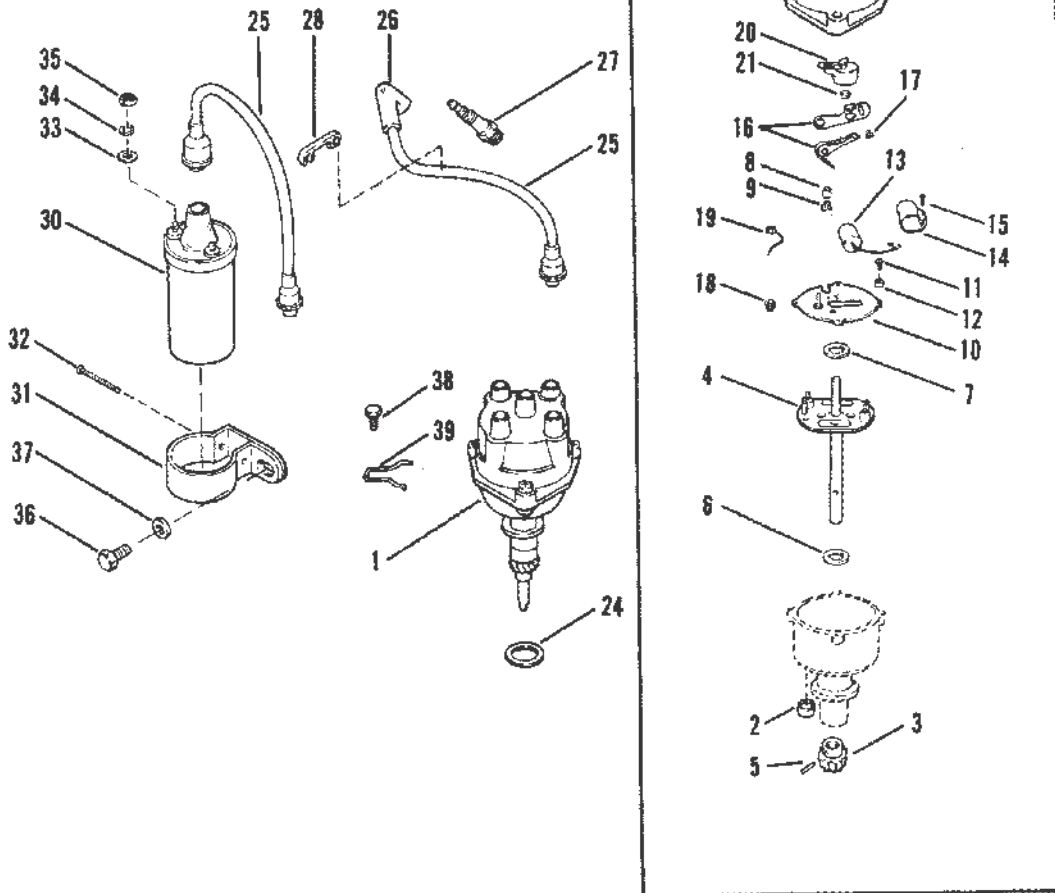
## CONVENTIONAL IGNITION COMPONENTS

| Ref # | Part Class | Part Number | Description   | Comments | Qty | Note |
|-------|------------|-------------|---|----------|-----|------|
| 31    | 0000       | 65970       | BRACKET IGNITION COIL MOUNTING                                      |          | 1   |      |
| 32    | 0010       | 41408       | SCREW (#10-32 x 1.50) MOUNTING BRACKET TO COIL                      |          | 1   |      |
| 33    | 0012       | 30164       | WASHER (.192 x .375 x .0312) Stainless Steel IGNITION COIL TERMINAL |          | 2   |      |
| 34    | 0013       | 26996       | LOCKWASHER (#10) Stainless Steel IGNITION OCIL TERMIANL             |          | 2   |      |
| 35    | 0011       | 68219       | NUT (#10-32) Stainless Steel IGNITION COIL TERMINAL                 |          | 2   |      |
| 36    | 0010       | 27165       | SCREW (.375-16 x .75) IGNITION COIL TO CYLINDER BLOCK               |          | 1   |      |
| 37    | 0012       | 20553       | WASHER (.406 x .734 x .063) IGNITION COIL SCREW                     |          | 1   |      |
| 38    | 0010       | 21077       | SCREW (.375-16 x .88) DISTRIBUTOR TO CYLINDER BLOCK                 |          | 1   |      |
| 39    | 0000       | 72624       | CLAMP DISTRIBUTOR   |          | 1   |      |

**PART NOTES:**

- [1] - NOT SOLD SEPARATELY- ORDER FROM A LOCAL SUPPLIER USING THE APPROPRIATE MANUFACTURERS PART NUMBER.
- [2] - Alternate part numbers:  
33662Service Part  
33662QQS
- [3] - Alternate part numbers:  
34235Service Part  
34235Q 1QS Kit  
34235T 1MPP Kit
- [4] - Alternate part numbers:  
34235Q 1QS Kit  
34235T 1MPP Kit  
58217Service Part  
58217BBulk Pack  
58217QQS
- [5] - Alternate part numbers:  
9459Service Part  
9459Q 1QS  
9459T 1MPP
- [6] - COMPONENT OF 52364A88 GASKET SET, ENGINE OVERHAUL 140-3.0L-181 CID  
COMPONENT OF 34273A88 GASKET SET, ENGINE OVERHAUL 120-2.5L-153 CID

# CONVENTIONAL IGNITION COMPONENTS

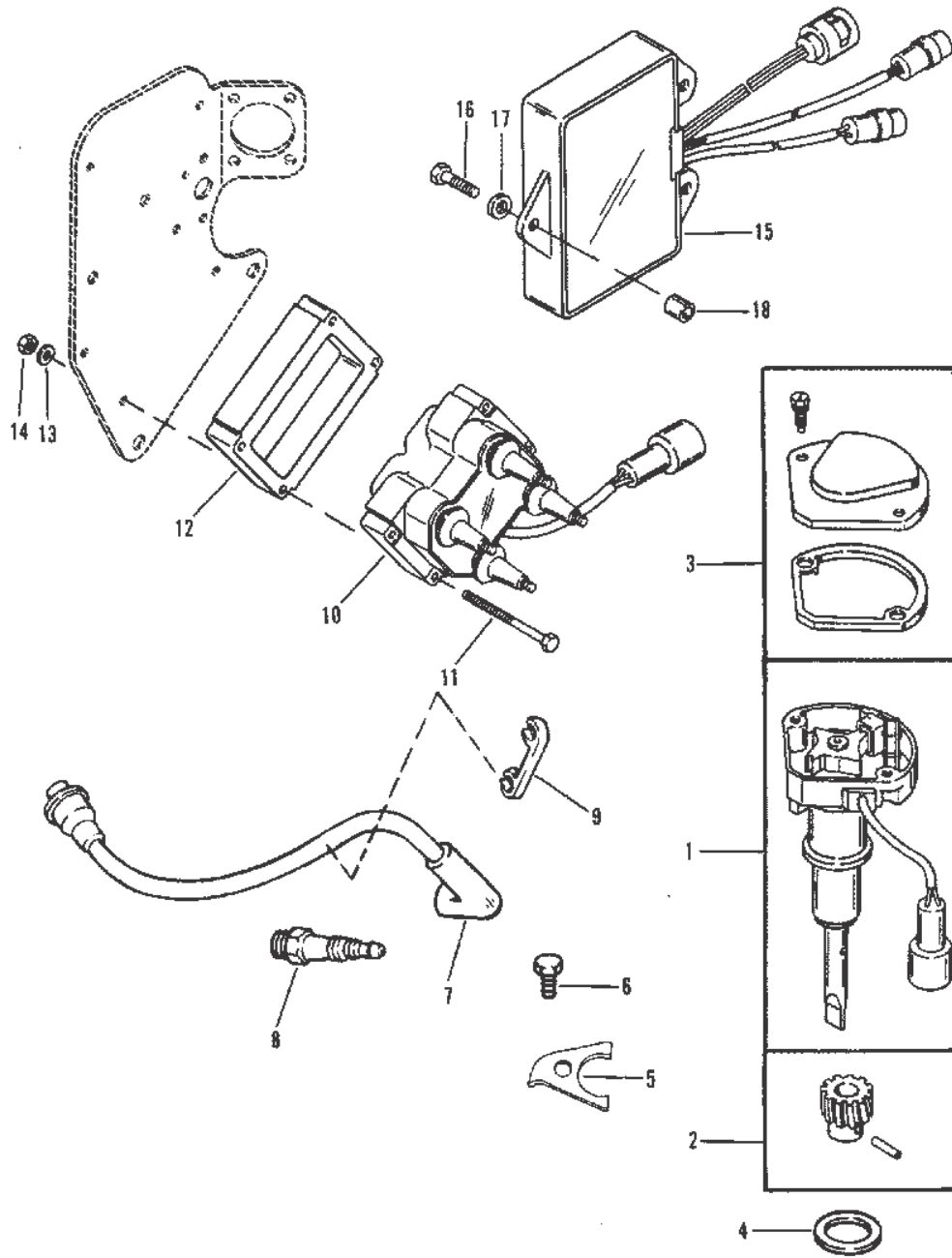


39316

## CONVENTIONAL IGNITION COMPONENTS

- [7] - Alternate part numbers:  
59571QS  
59571BBulk Pack

# DIGITAL IGNITION COMPONENTS



39317

## DIGITAL IGNITION COMPONENTS

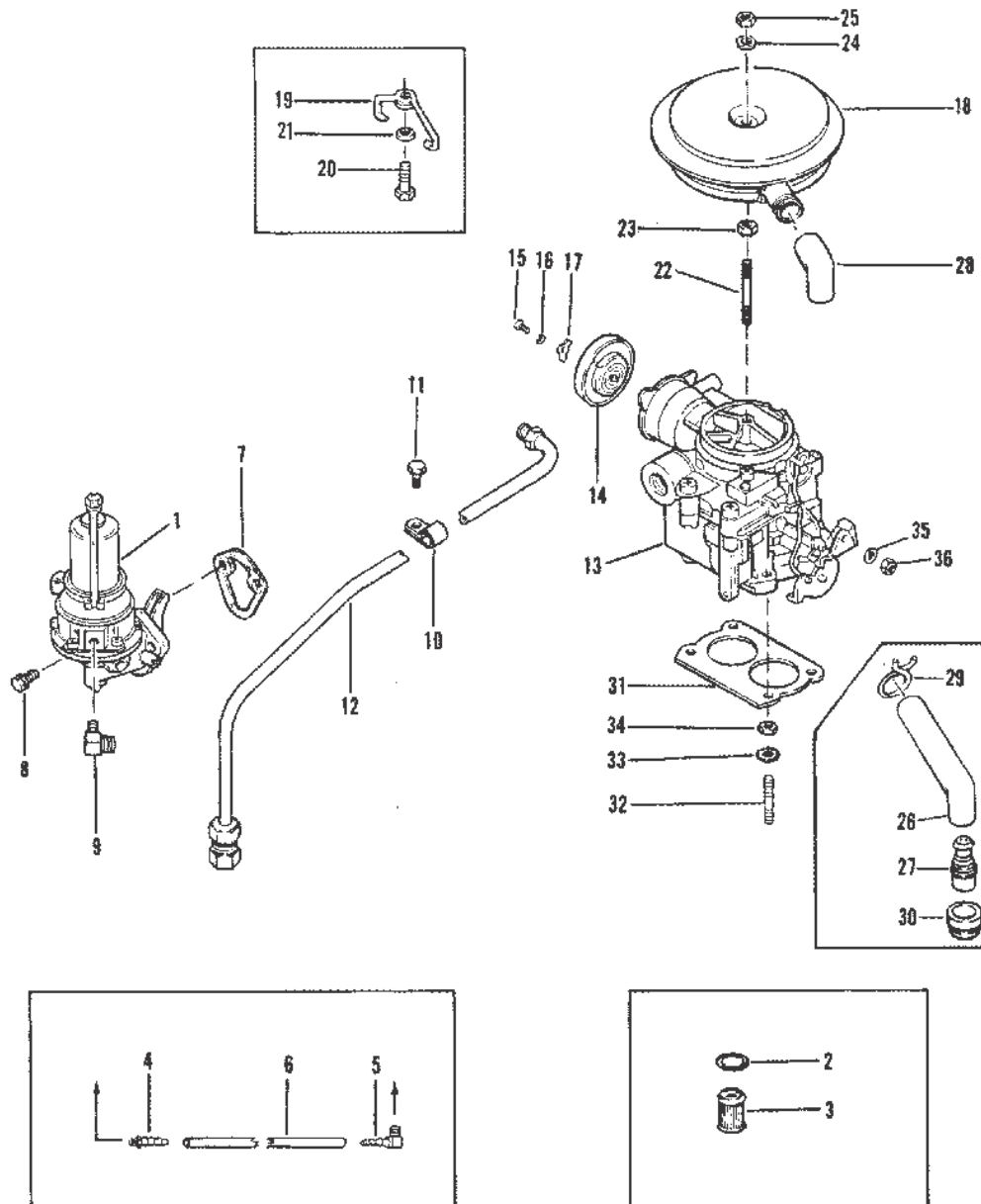
| Ref # | Part Class | Part Number | Description  | Comments | Qty | Note |
|-------|------------|-------------|--|----------|-----|------|
| 1     | 0000       | 18813T      | SENSOR Motion  |          | 1   |      |
| 2     | 0043       | 814187      | GEAR KIT   |          | 1   |      |
| 3     | 0000       | 814188      | CAP KIT  |          | 1   |      |
| 4     | 0027       | 87707       | GASKET DISTRIBUTOR   |          | 1   |      |
| 5     | 0000       | 72624       | CLAMP DISTRIBUTOR  |          | 1   |      |
| 6     | 0010       | 12244       | SCREW (.375-16 x 1.00)<br>DISTRIBUTOR TO CYLINDER<br>BLOCK |          | 1   |      |
| 7     | 0084       | 813720A13   | SPARK PLUG WIRE KIT  |          | 1   |      |
| 8     | 0033       | 59571       | SPARK PLUG   |          | 4   | [1]  |
| 9     | 0000       | 32782       | RETAINER HIGH TENSION<br>LEADS                             |          | 1   |      |
| 10    | 0000       | 15071T      | COIL Ignition  |          | 1   |      |
| 11    | 0010       | 46367       | SCREW (.190-32 x 2.500)                                    |          | 4   |      |
| 12    | 0000       | 17561T      | SPACER   |          | 1   |      |
| 13    | 0012       | 30164       | WASHER (.192 x .375 x .0312)<br>Stainless Steel            |          | 4   |      |
| 14    | 0011       | 20190       | NUT (#10-32)   |          | 4   |      |
| 15    | 0000       | 18811T      | CONTROL ASSEMBLY   |          | 1   |      |
| 16    | 0010       | 76630       | SCREW (.250-20 x 1.00)                                     |          | 3   |      |
| 17    | 0012       | 69056       | WASHER (.255 x .620 x .030)<br>Stainless Steel             |          | 3   |      |
| 18    | 0023       | 92152       | SPACER (.27 x .75 x .38)                                   |          | 3   |      |

## PART NOTES:

- [1] - Alternate part numbers:  
59571QS  
59571BBulk Pack



# FUEL PUMP AND CARBURETOR (OLD DESIGN)



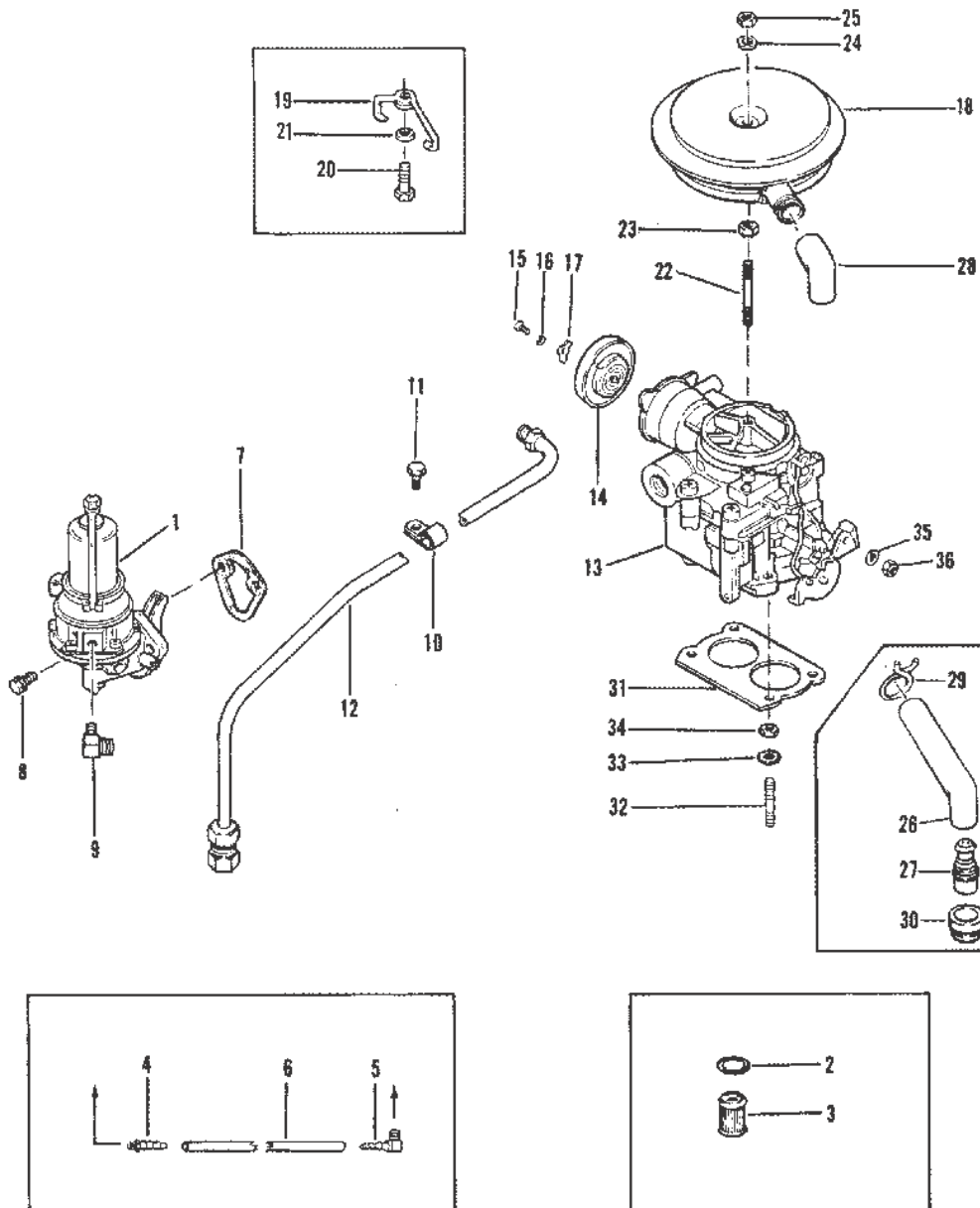
39318

## FUEL PUMP AND CARBURETOR (OLD DESIGN)

| Ref # | Part Class | Part Number | Description  | Comments                    | Qty | Note |
|-------|------------|-------------|--|-----------------------------|-----|------|
| 1     | 0000       | 86234A4     | PUMP ASSEMBLY Fuel   |                             | 1   |      |
| 2     | 0000       | 49089A1     | DIAPHRAGM KIT FUEL PUMP  |                             | 1   |      |
| 3     | 0035       | 49088       | FILTER FUEL - FUEL PUMP  |                             | 1   |      |
| 4     | 0022       | 73816       | CONNECTOR VENT TUBE TO CARBURETOR                                | (ROCHESTER CARB.)           | 1   |      |
| 4     | 0022       | 54090       | ELBOW VENT TUBE TO CARBURETOR                                    | (MERCARB)                   | 1   |      |
| 5     | 0022       | 73817       | CONNECTOR (90 Degree) VENT TUBE TO FUEL PUMP                     |                             | 1   |      |
| 6     | 0032       | 7381563     | HOSE (34.00 Inches Bulk) VENT                                    |                             | 1   |      |
| 7     | 0027       | 34213       | GASKET FUEL PUMP   |                             | 1   | [1]  |
| 8     | 0010       | 45488       | BOLT (7/8 In.) FUEL PUMP TO CYLINDER BLOCK (3/4")                |                             | 2   |      |
| 9     | 0022       | 98646       | FITTING FUEL LINE  |                             | 1   |      |
| 10    | 0054       | 65653       | CLIP FUEL LINE TO ROCKER COVER                                   |                             | 1   |      |
| 11    | 0010       | 32079       | SCREW (.250-20 x .560) CLIP TO ROCKER COVER                      |                             | 1   |      |
| 12    | 0032       | 41102A1     | LINE ASSEMBLY Fuel FUEL PUMP TO CARBURETOR                       |                             | 1   |      |
| 13    | 1351       | 8480A2      | CARBURETOR ASSEMBLY  | (ROCHESTER)                 | 1   | [2]  |
| 13    | 1389       | 9562A1      | CARBURETOR ASSEMBLY  | (MERCARB)                   | 1   | [3]  |
| 14    | 0000       | 70125A1     | COVER CHOKE  |                             | 1   |      |
| 15    | 0010       | 33047       | SCREW CHOKE COVER OT CHOKE HOUSING                               |                             | 3   |      |
| 16    | 0013       | 26995       | LOCKWASHER (#8) Stainless Steel CHOKE COVER SCREW                |                             | 1   |      |
| 17    | 0054       | 33036       | RETAINER CHOKE COVER SCREW                                       |                             | 3   |      |
| 18    | 0000       | 86270A1     | FLAME ARRESTOR   | ROCHESTER CARB              | 1   |      |
| 18    | 0000       | 85784A1     | FLAME ARRESTOR   | MERCARB                     | 1   |      |
| 19    | 0000       | 52734       | BAIL FLAME ARRESTOR TO CARBURETOR                                | ROCHESTER CARB              | 1   |      |
| 20    | 0010       | 65027       | SCREW (.250-28 x 1.00) FLAME ARRESTOR TO CARB. BAIL (1")         | ROCHESTER CARB              | 1   |      |
| 21    | 0012       | 29245       | WASHER (.281 x .500 x .060) Stainless Steel FLAME ARRESTOR SCREW | ROCHESTER CARB              | 1   |      |
| 22    | 0016       | 70878       | STUD (1/4 x 2.125) FLAME ARRESTOR                                | MERCARB                     | 1   |      |
| 23    | 0011       | 28941       | NUT FLAME ARRESTOR SCREW   |                             | 1   |      |
| 24    | 0012       | 86400       | WASHER FLAME ARRESTOR STUD                                       |                             | 1   |      |
| 25    | 0011       | 20586       | NUT (.250-28) FLAME ARRESTOR STUD (TOP)                          |                             | 1   |      |
| 26    | 0032       | 62060       | HOSE VENT  | USE WITH STRAIGHT CONNECTOR | 1   |      |
| 26    | 0032       | 9331512     | HOSE VENT  | USE WITH 90 CONNECTOR       | 1   |      |
| 27    | 0000       | 47957       | CONNECTOR VENT HOSE  | USE WITH STRAIGHT CONNECTOR | 1   |      |

## FUEL PUMP AND CARBURETOR (OLD DESIGN)

# FUEL PUMP AND CARBURETOR (OLD DESIGN)



39318

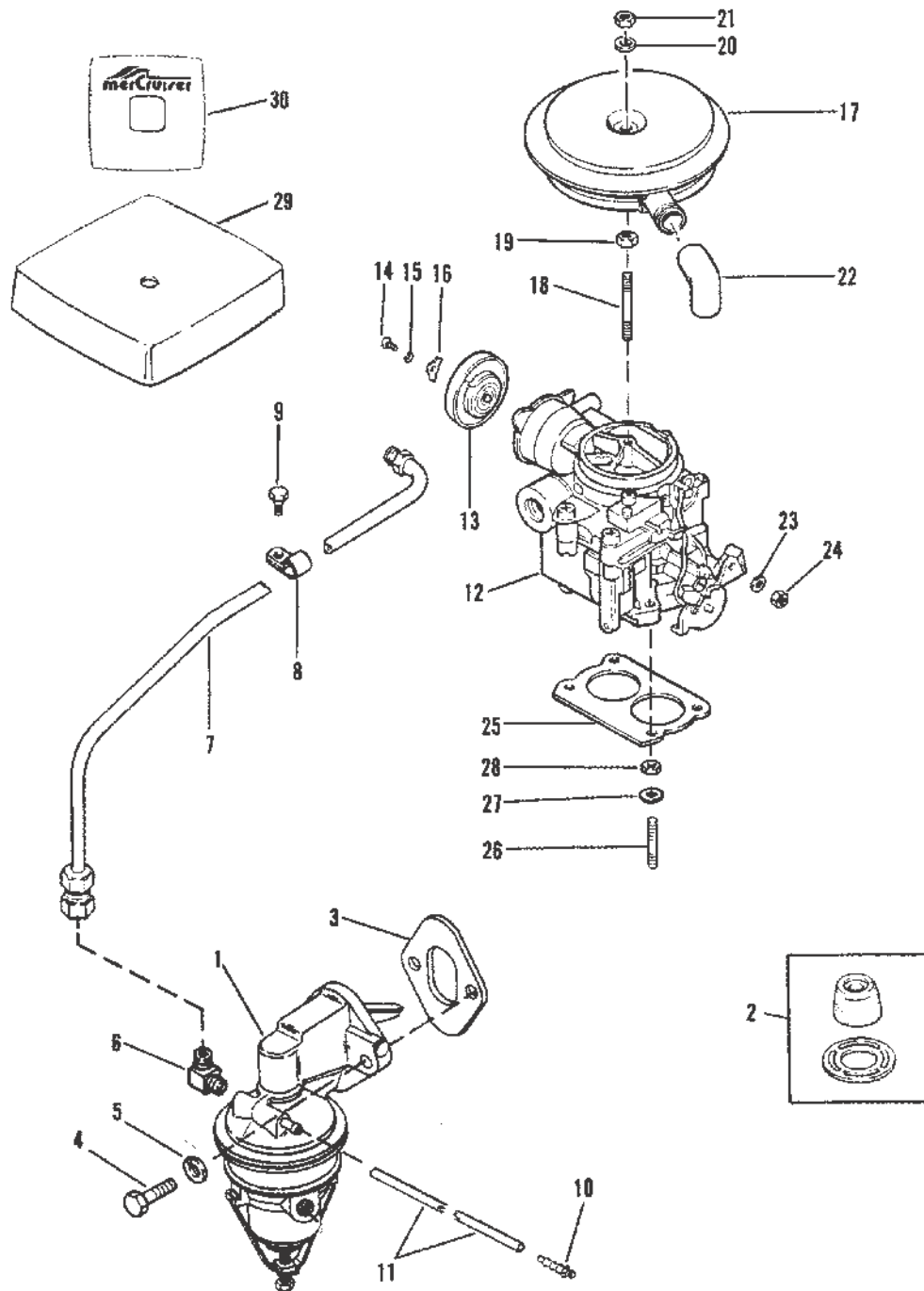
## FUEL PUMP AND CARBURETOR (OLD DESIGN)

| Ref # | Part Class | Part Number | Description                                    | Comments              | Qty | Note |
|-------|------------|-------------|--|-----------------------|-----|------|
| 27    | 0000       | 97850       | ELBOW 90 Degree VENT HOSE                      | USE WITH 90 CONNECTOR | 1   |      |
| 28    | 0032       | 12558       | HOSE VENT                                      | (NEW DESIGN)          | 1   |      |
| 29    | 0054       | 64648       | CLAMP HOSE ATTACHING                           | OLD DESIGN            | 2   |      |
| 30    | 0025       | 52188       | GROMMET ROCKER COVER                           | OLD DESIGN            | 1   |      |
| 31    | 0027       | 64692       | GASKET CARBURETOR                              | ROCHESTER CARB        | 1   | [1]  |
| 31    | 0027       | 70143       | GASKET CARBURETOR                              | MERCARB               | 1   | [1]  |
| 32    | 0016       | 70236       | STUD (.312 x 1.500)<br>CARBURETOR              |                       | 4   |      |
| 33    | 0012       | 20084       | WASHER (.328 x .562 x .062)<br>CARBURETOR STUD |                       | 4   |      |
| 34    | 0011       | 25594       | NUT (.9375-24) CARBURETOR<br>STUD              |                       | 4   |      |
| 35    | 0012       | 56681       | WASHER (.203 x .500 x .032)<br>THROTTLE CABLE  |                       | 1   |      |
| 36    | 0011       | 20190       | NUT (#10-32) THROTTLE CABLE<br>TO CARBURETOR   |                       | 1   |      |

**PART NOTES:**

- [1] - COMPONENT OF 52364A88 GASKET SET, ENGINE OVERHAUL 140-3.0L-181 CID  
COMPONENT OF 34273A88 GASKET SET, ENGINE OVERHAUL 120-2.5L-153 CID
- [2] - Alternate part numbers:  
818621R02Reman  
8480A 2QS
- [3] - Alternate part numbers:  
860070R02Reman  
9562A 1QS

# FUEL PUMP AND CARBURETOR (NEW DESIGN)



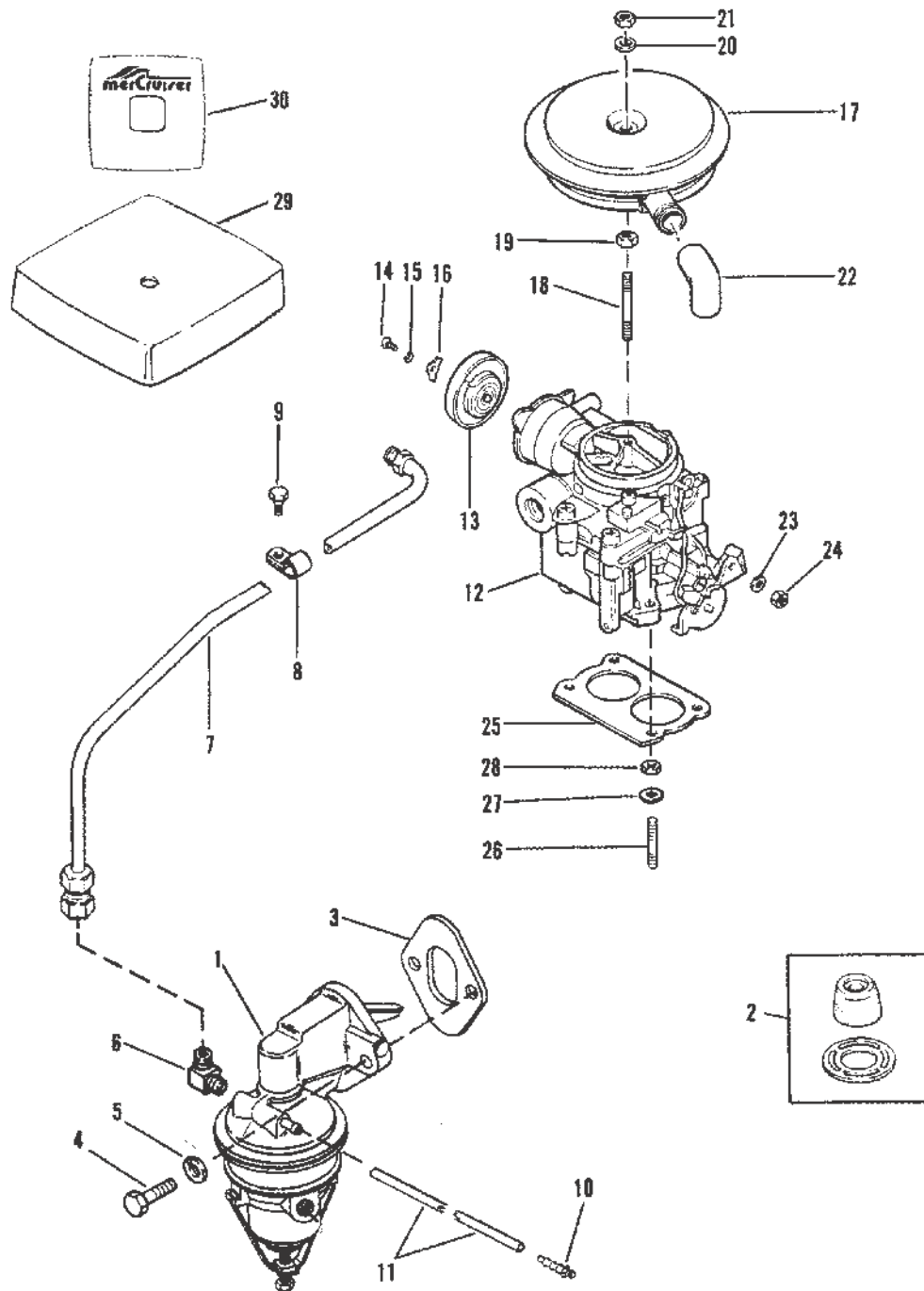
39319

## FUEL PUMP AND CARBURETOR (NEW DESIGN)

| Ref # | Part Class | Part Number | Description                                       | Comments   | Qty | Note |
|-------|------------|-------------|---|------------|-----|------|
| 1     | 0000       | 42725A3     | PUMP ASSEMBLY Fuel Fuel                           |            | 1   |      |
| 2     | 0035       | 11004       | FILTER  |            | 1   |      |
| 3     | 0027       | 431861      | GASKET FUEL PUMP                                  |            | 1   | [1]  |
| 4     | 0010       | 31984       | SCREW (.312-18 x 1.375) FUEL PUMP TO BLOCK        |            | 2   |      |
| 5     | 0013       | 39107       | LOCKWASHER (.312-24) FUEL PUMP SCREW              |            | 2   |      |
| 6     | 0022       | 43276       | ELBOW (90 Degree) FUEL LINE                       |            | 1   |      |
| 7     | 0032       | 14797T1     | LINE Fuel-PUMP TO CARBURETOR                      |            | 1   |      |
| 8     | 0054       | 65653       | CLIP FUEL LINE TO ROCKER COVER                    |            | 1   |      |
| 9     | 0010       | 32079       | SCREW (.250-20 x .560) CLIP TO ROCKER COVER       |            | 1   |      |
| 10    | 0022       | 54090       | ELBOW VENT TUBE TO CARBURETOR                     |            | 1   |      |
| 11    | 0032       | 7381563     | HOSE (34.00 Inches Bulk) VENT                     |            | 1   |      |
| 12    | 1389       | 9562A1      | CARBURETOR ASSEMBLY (MERCARB)                     |            | 1   | [2]  |
| 13    | 0000       | 70125A1     | COVER CHOKE                                       |            | 1   |      |
| 14    | 0010       | 33047       | SCREW CHOKE COVER TO CHOKE HOUSING                |            | 3   |      |
| 15    | 0013       | 26995       | LOCKWASHER (#8) Stainless Steel CHOKE COVER SCREW |            | 1   |      |
| 16    | 0054       | 33036       | RETAINER CHOKE COVER SCREW                        |            | 3   |      |
| 17    | 0000       | 85784A1     | FLAME ARRESTOR                                    |            | 1   |      |
| 18    | 0016       | 70878       | STUD (1/4 x 2.125) FLAME ARRESTOR                 | OLD DESIGN | 1   |      |
| 19    | 0011       | 28941       | NUT FLAME ARRESTOR SCREW                          | OLD DESIGN | 1   |      |
| 20    | 0012       | 86400       | WASHER FLAME ARRESTOR STUD                        |            | 1   |      |
| 21    | 0011       | 20586       | NUT (.250-28) FLAME ARRESTOR STUD (TOP)           |            | 1   |      |
| 22    | 0032       | 12558       | HOSE VENT   |            | 1   |      |
| 23    | 0012       | 56681       | WASHER (.203 x .500 x .032) THROTTLE CABLE        |            | 1   |      |
| 24    | 0011       | 20190       | NUT (#10-32) THROTTLE CABLE TO CARBURETOR         |            | 1   |      |
| 25    | 0027       | 701431      | GASKET CARBURETOR (MERCARB)                       |            | 1   | [1]  |
| 26    | 0016       | 70236       | STUD (.312 x 1.500) CARBURETOR                    |            | 4   |      |
| 27    | 0012       | 20084       | WASHER (.328 x .562 x .062) CARBURETOR STUD       |            | 4   |      |
| 28    | 0011       | 25594       | NUT (.9375-24) CARBURETOR STUD                    |            | 4   |      |
| 18    | 0016       | 18020       | STUD FLAME ARRESTOR                               | NEW DESIGN | 1   |      |
| 29    | 0000       | 17878A5     | COVER Carburetor - FLAME ARRESTOR                 | NEW DESIGN | 1   |      |
| 30    | 0037       | 1372350     | DECAL COVER (2.5L)                                | NEW DESIGN | 1   |      |
| 30    | 0037       | 1372351     | DECAL COVER (3.0L)                                | NEW DESIGN | 1   |      |

## FUEL PUMP AND CARBURETOR (NEW DESIGN)

# FUEL PUMP AND CARBURETOR (NEW DESIGN)



39319

Cat.# 90-41261

## FUEL PUMP AND CARBURETOR (NEW DESIGN)

| Ref # | Part Class | Part Number | Description                         | Comments | Qty | Note |
|-------|------------|-------------|-------------------------------------|----------|-----|------|
| 30    | 0037       | 1372356     | DECAL COVER (3.0L-DIGITAL IGNITION) |          | 1   |      |

**PART NOTES:**

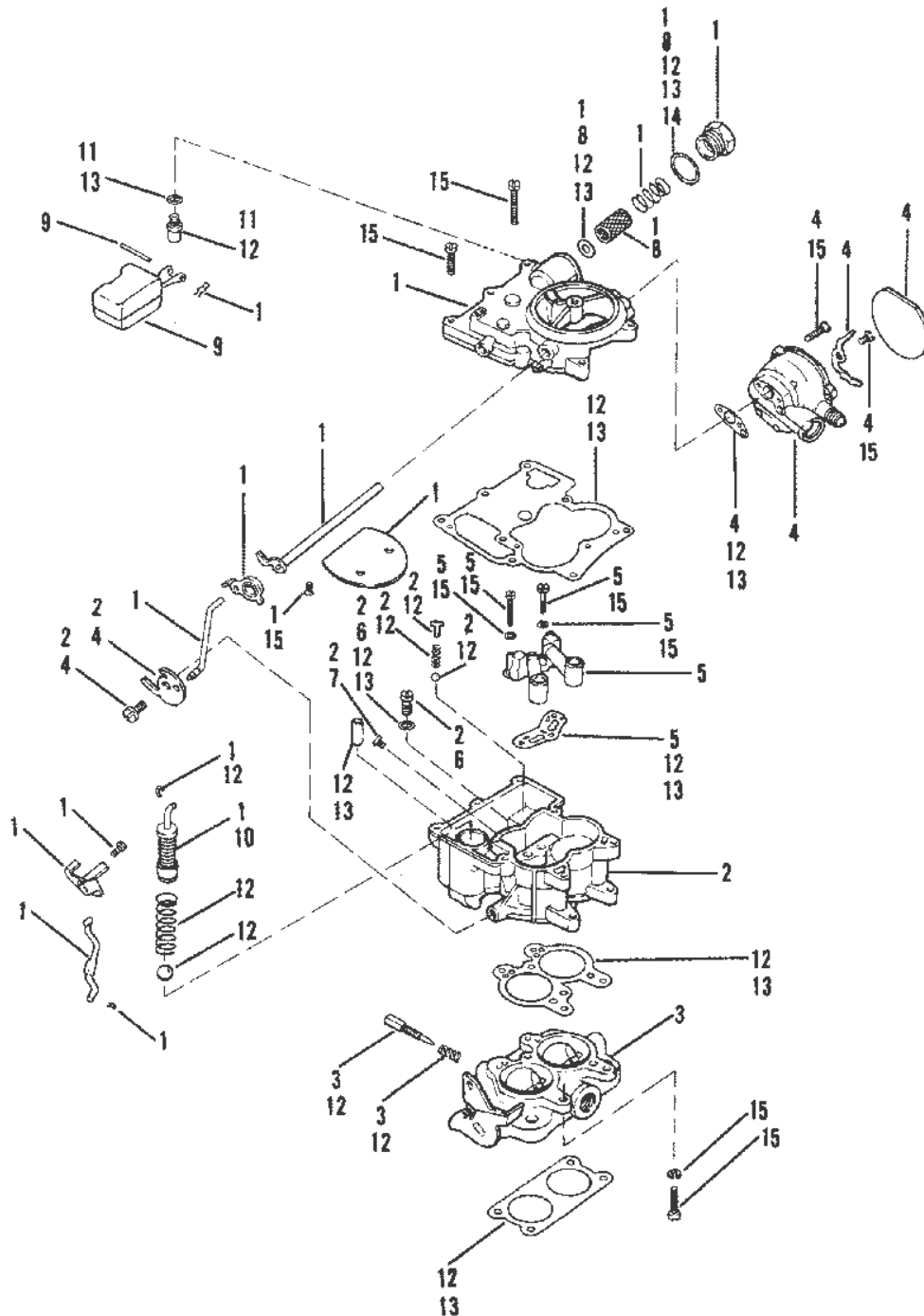
- [1] - COMPONENT OF 52364A88 GASKET SET, ENGINE OVERHAUL 140-3.0L-181 CID  
COMPONENT OF 34273A88 GASKET SET, ENGINE OVERHAUL 120-2.5L-153 CID
- [2] - Alternate part numbers:  
860070R02Reman  
9562A 1QS

---

FUEL PUMP AND CARBURETOR (NEW DESIGN)



# CARBURETOR (ROCHESTER)



39320

## CARBURETOR (ROCHESTER)

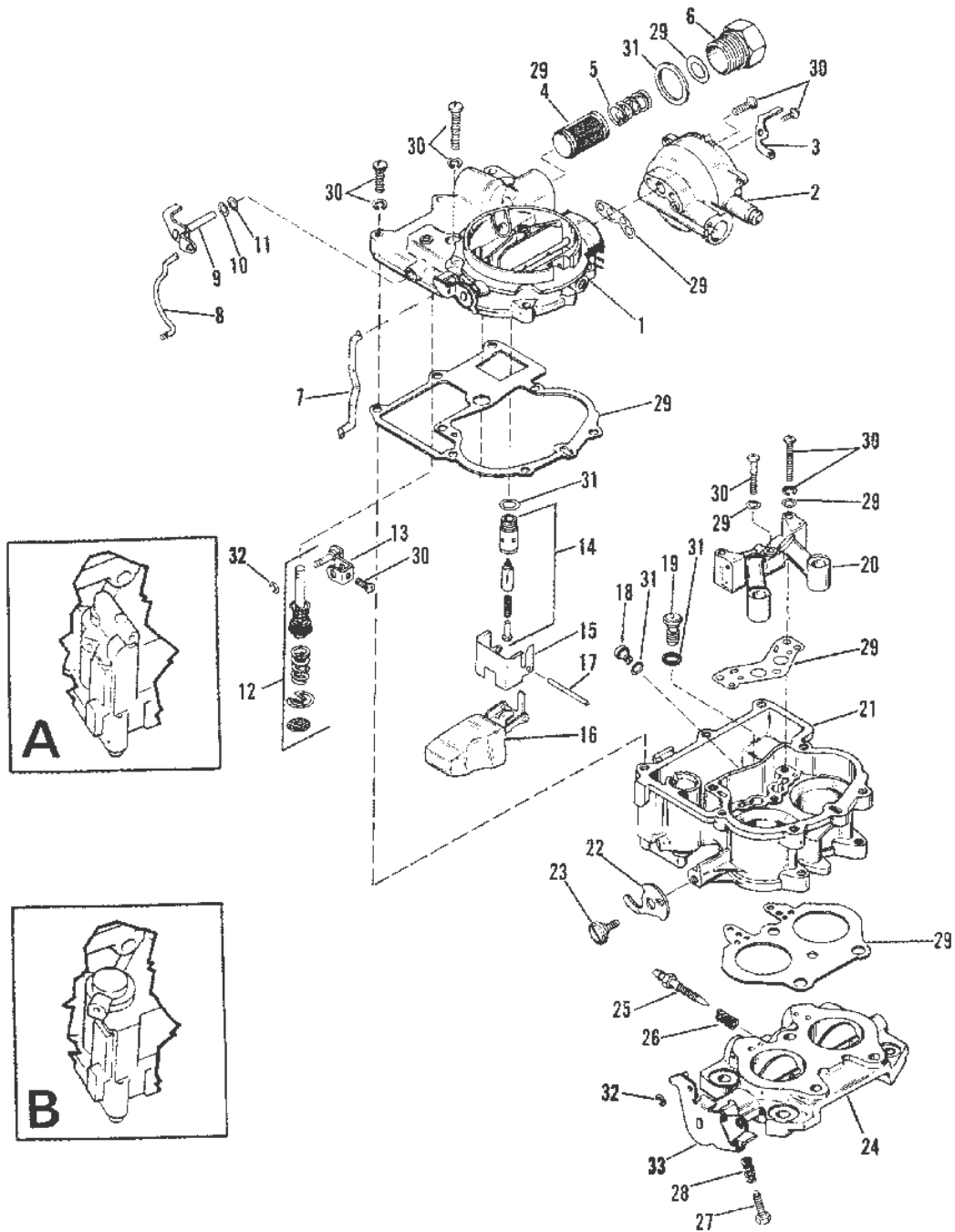
## CARBURETOR (ROCHESTER)

| Ref # | Part Class | Part Number | Description           | Comments | Qty | Note |
|-------|------------|-------------|-----------------------|----------|-----|------|
| -     | 1351       | 8480A2      | CARBURETOR ASSEMBLY   |          | 1   | [1]  |
| 1     | 1397       | 8874        | AIR HORN KIT          |          | 1   |      |
| 2     | 1397       | 8875        | FLOAT BOWL KIT        |          | 1   |      |
| 3     | 1397       | 8876        | THORTTLE BODY KIT     |          | 1   |      |
| 4     | 1397       | 8877        | CHOKE KIT             |          | 1   |      |
| 5     | 1397       | 8878        | VENTURI CLUSTER KIT   |          | 1   |      |
| 6     | 1397       | 8882        | PISTON KIT            |          | 1   |      |
| 7     | 1397       | 3827        | JET                   |          | 1   |      |
| 8     | 1397       | 8767        | FILTER KIT Fuel       |          | 1   | [2]  |
| 9     | 1397       | 8879        | FLOAT KIT             |          | 1   |      |
| 10    | 1397       | 8880        | PUMP KIT              |          | 1   |      |
| 11    | 1397       | 8881        | NEEDLE AND SEAT KIT   |          | 1   |      |
| 12    | 1397       | 8872        | REPAIR KIT Carburetor |          | 1   | [3]  |
| 13    | 1397       | 3464        | POWER CARB KIT        |          | 1   | [3]  |
| 14    | 1397       | 8327        | GASKET FUEL FILTER    |          | 1   |      |
| 15    | 1397       | 8883        | SCREW KIT             |          | 1   |      |

**PART NOTES:**

- [1] - Alternate part numbers:  
818621R02Reman  
8480A 2QS
- [2] - Alternate part numbers:  
8767Service Part  
8767QQS  
8767TMPP
- [3] - DO NOT USE FLANGE GASKET INCLUDED IN KIT. ORDER 64692 GASKET.

# CARBURETOR (MERCARB)



39321

**RESOURCE NOTES:**

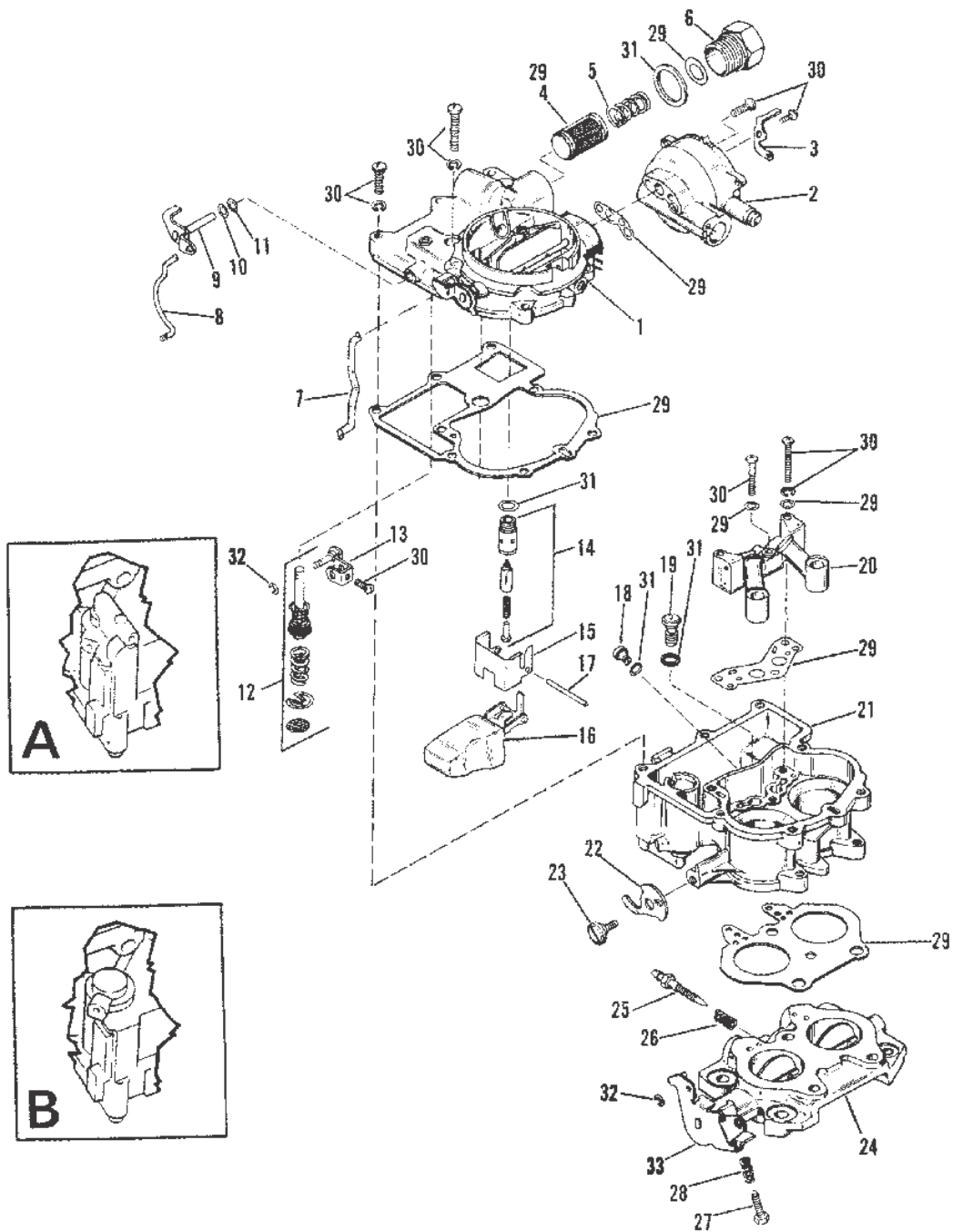
**Note:** To insure ordering correct Accelerator Pump Kit, check pump cavity on bottom of carburetor and compare to drawings shown.

## CARBURETOR (MERCARB)

| Ref # | Part Class | Part Number | Description                                      | Comments   | Qty | Note |
|-------|------------|-------------|--|--|-----|------|
| -     | 1389       | 9562A1      | CARBURETOR ASSEMBLY                              |  | 1   | [1]  |
| 1     |            | N.S.S.      | Not Sold Separate Air Horn Assembly              |  | 1   |      |
| 2     |            | N.S.S.      | Not Sold Separate Choke Housing Assembly         |  | 1   |      |
| 3     | 3302       | 9037        | ARM Choke  |  | 1   |      |
| 4     | 3302       | 9033        | STRAINER   |  | 1   |      |
| 5     | 3302       | 9032        | SPRING FUEL STRAINER                             |  | 1   |      |
| 6     | 3302       | 9034        | CONNECTOR INLET                                  |  | 1   |      |
| 7     | 3302       | 9042        | ROD Choke  |  | 1   |      |
| 8     | 3302       | 9041        | ROD Pump   |  | 1   |      |
| 9     | 3302       | 9035        | LEVER ACCELERATOR PUMP                           |  | 1   |      |
| 10    | 3302       | 9039        | WASHER PUMP LEVER                                |  | 1   |      |
| 11    | 3302       | 9040        | WASHER PUMP LEVER                                |  | 1   |      |
| 12    | 3302       | 9046        | PUMP KIT Pump A                                  | (3302-9047 Venturi, use with Accelerator Pump A) | 1   | [2]  |
| 12    | 3302       | 9655        | PUMP KIT Accelerator Pump B                      | (3302-9810 Venturi, use with Accelerator Pump B) | 1   | [3]  |
| 13    | 3302       | 9036        | ARM ACCELERATOR PUMP                             |  | 1   |      |
| 14    | 3302       | 9407        | SEAT KIT Inlet                                   |  | 1   |      |
| 15    | 3302       | 9038        | PLATE Baffle                                     |  | 1   |      |
| 16    | 3302       | 9031        | FLOAT  |  | 1   |      |
| 17    | 3302       | 9030        | PIN Float  |  | 1   |      |
| 18    | 3302       | 9050        | JET (1.45MM) Main                                |  | 1   |      |
| 19    | 3302       | 9051        | POWER JET  |  | 1   |      |
| 20    | 3302       | 9047        | VENTURI  | USE WITH ACCELERATOR PUMP (PICTURE A)            | 1   |      |
| 20    | 3302       | 9810        | VENTURI  | USE WITH ACCELERATOR PUMP (PICTURE B)            | 1   |      |
| 21    |            | N.S.S.      | Not Sold Separate BODY, CARBURETOR               |  | 1   |      |
| 22    | 3302       | 9048        | CAM FAST IDLE                                    |  | 1   |      |
| 23    | 3302       | 9049        | SHAFT FAST IDLE CAM                              |  | 1   |      |
| 24    | 3302       | 9566        | FLANGE ASSEMBLY (OLD DESIGN)                     |  | 1   |      |
| 25    | 3302       | 9052        | SCREW IDLE ADJUSTING                             |  | 1   |      |
| 26    | 3302       | 9053        | SPRING IDLE ADJUSTING SCREW                      |  | 1   |      |
| 27    | 3302       | 9060        | SCREW THROTTLE ADJUSTING                         |  | 1   |      |
| 28    | 3302       | 9054        | SPRING THROTTLE ADJUSTING SCREW                  |  | 1   |      |
| 29    | 3302       | 9061        | GASKET SET                                       |  | 1   |      |
| 30    | 3302       | 9045        | SCREW KIT  |  | 1   |      |
| 31    | 3302       | 9044        | PACKING SET                                      |  | 1   |      |
| 32    | 3302       | 9658        | E-RING   |  | 2   |      |
| 33    | 3302       | 9689        | LEVER ASSEMBLY Throttle - With Stud (NEW DESIGN) |  | 1   |      |

## CARBURETOR (MERCARB)

# CARBURETOR (MERCARB)



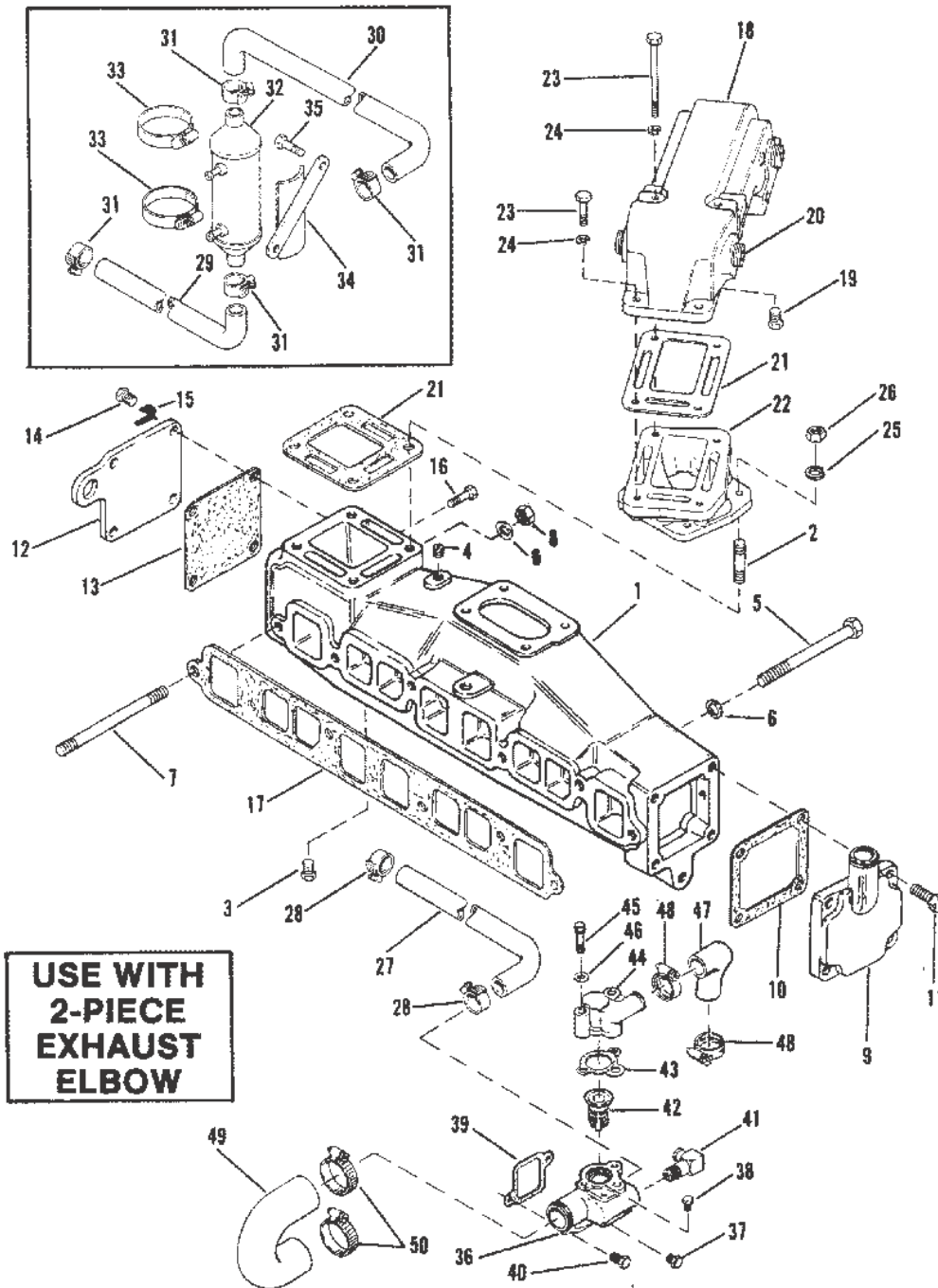
39321

## CARBURETOR (MERCARB)

**PART NOTES:**

- [1] - Alternate part numbers:  
860070R02Reman  
9562A 1QS
- [2] - Alternate part numbers:  
804845Kit  
9046Service Part
- [3] - Alternate part numbers:  
804844002Kit  
9655Service Part

EXHAUST MANIFOLD USE W/2 PIECE EXHAUST ELBOW



39322

**RESOURCE NOTES:**

When replacing Exhaust Manifold Part Number 99798A 9 also order Exhaust Elbow Part Number 12076A 2.

EXHAUST MANIFOLD USE W/2 PIECE EXHAUST ELBOW

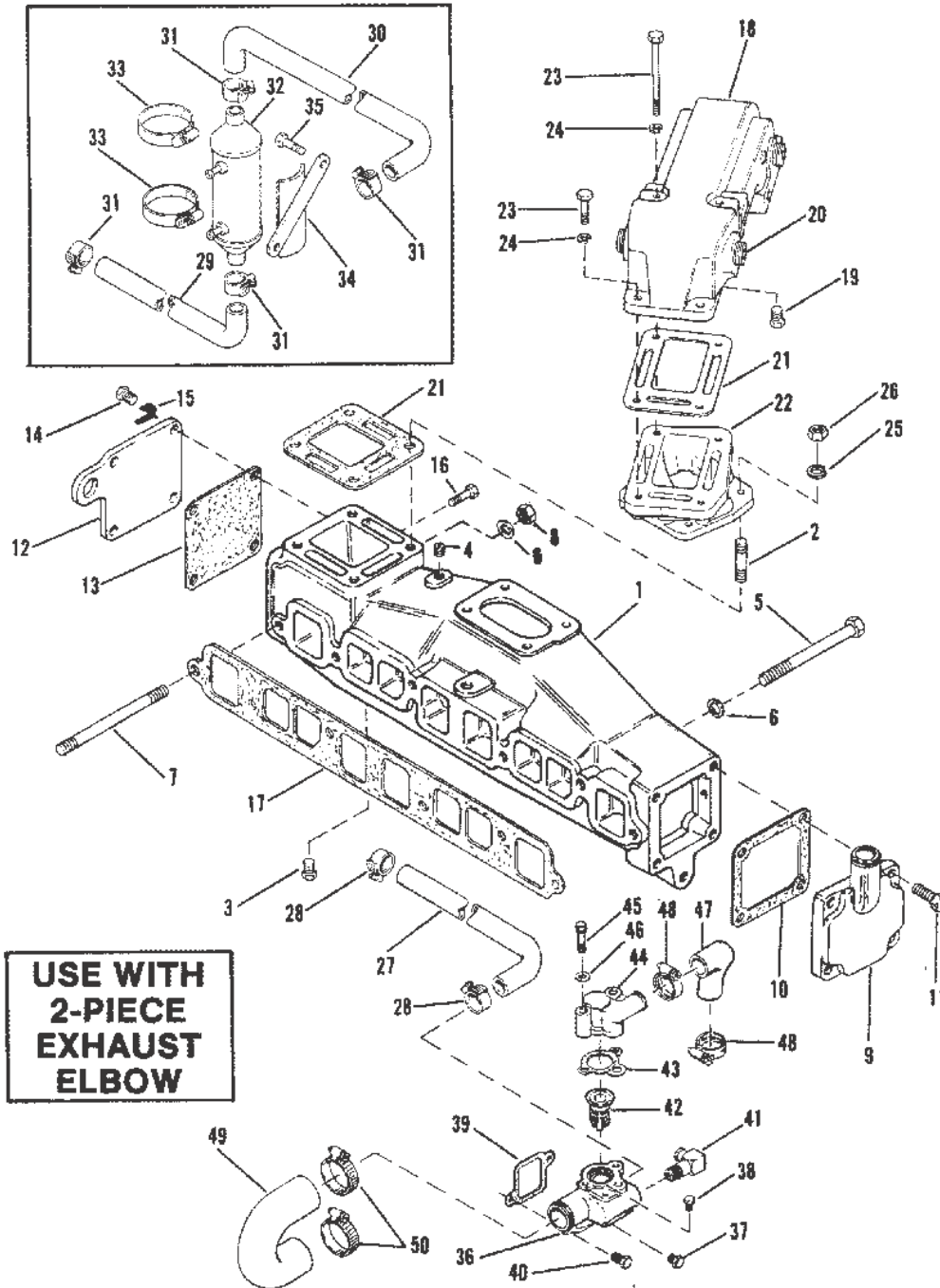
## EXHAUST MANIFOLD USE W/2 PIECE EXHAUST ELBOW

| Ref # | Part Class | Part Number | Description   | Comments                        | Qty | Note |
|-------|------------|-------------|---|---------------------------------|-----|------|
| 1     | 0000       | 95862A5     | MANIFOLD ASSEMBLY Exhaust                                   | (Use With Rochester Carburetor) | 1   |      |
| 1     | 0000       | 99798A9     | MANIFOLD ASSEMBLY Exhaust                                   | (Use With Mercarb) (See Note 1) | 1   |      |
| 2     | 0016       | 56826       | STUD (1.5 In.) EXHAUST MANIFOLD TO EXHAUST ADAPTOR (1-1/2") |                                 | 4   |      |
| 3     | 0022       | 32802       | PLUG Pipe (.125-27) EXHAUST MANIFOLD                        |                                 | 1   |      |
| 4     | 0022       | 36382       | FITTING (.250-18 x .62) Brass EXHAUST MANIFOLD              |                                 | 1   |      |
| 5     | 0010       | 52143       | SCREW (.375-16 x 4.750)                                     |                                 | 4   |      |
| 6     | 0012       | 20553       | WASHER (.406 x .734 x .063) EXHAUST MANIFOLD SCREW          |                                 | 6   |      |
| 7     | 0016       | 96109       | STUD EXHAUST MANIFOLD TO CYLINDER HEAD (5-3/8")             |                                 | 2   |      |
| 8     | 0011       | 24883       | NUT EXHAUST MANIFOLD STUD                                   |                                 | 2   |      |
| 9     | 0000       | 60252A2     | END CAP EXHAUST MANIFOLD (FRONT)                            |                                 | 1   |      |
| 10    | 0027       | 48043       | GASKET END CAP  |                                 | 1   | [1]  |
| 11    | 0010       | 35386       | SCREW (.312-18 x 1.00)                                      |                                 | 4   |      |
| 12    | 0000       | 99179A1     | END CAP/LIFTING EYE EXHAUST MANIFOLD (REAR)                 |                                 | 1   |      |
| 13    | 0027       | 73814       | GASKET END CAP  |                                 | 1   | [1]  |
| 14    | 0010       | 59645       | SCREW (.312-18 x .750)                                      |                                 | 4   |      |
| 15    | 0054       | 47483       | J CLIP END CAP SCREW  |                                 | 1   |      |
| 16    | 0010       | 96430       | SHOULDER SCREW CABLE ATTACHING                              |                                 | 1   |      |
| 17    | 0027       | 96429       | GASKET EXHAUST MANIFOLD TO CYLINDER HEAD                    |                                 | 1   | [1]  |
| 18    | 0000       | 76325A2     | ELBOW ASSEMBLY Exhaust                                      |                                 | 1   |      |
| 19    | 0022       | 32802       | PLUG Pipe (.125-27) EXHAUST ELBOW                           |                                 | 1   |      |
| 20    | 0022       | 33198A1     | PLUG (3/4-14) EXHAUST ELBOW                                 |                                 | 4   |      |
| 21    | 0027       | 99777       | GASKET EXHAUST ADAPTOR                                      |                                 | 2   | [1]  |
| 22    | 0000       | 12076A1     | ADAPTER ASSEMBLY Exhaust                                    |                                 | 1   |      |
| 23    | 0010       | 72094       | SCREW (.375-16 x 3.750)                                     |                                 | 2   |      |
| 23    | 0010       | 34354       | SCREW (.375-16 x 1.50)                                      |                                 | 2   |      |
| 24    | 0013       | 35048       | LOCKWASHER (.375) EXHAUST ELBOW SCREW                       |                                 | 4   |      |
| 25    | 0013       | 35048       | LOCKWASHER (.375) EXHAUST MANIFOLD STUD                     |                                 | 4   |      |
| 26    | 0011       | 24883       | NUT EXHAUST MANIFOLD STUD                                   |                                 | 4   |      |
| 27    | 0032       | 47642       | HOSE (49.00 Inches Bulk) INLET (5/8" I.D.)                  | W/O POWER STEERING              | 1   |      |
| 27    | 0032       | 4285064     | HOSE Transom Plate to Housing - INLET (3/4" I.D.)           | W/O POWER STEERING              | 1   |      |
| 28    | 0054       | 32523       | CLAMP INLET HOSE ATTACHING                                  | W/O POWER STEERING              | 2   |      |
| 29    | 0032       | 96911       | HOSE COOLER TO DRIVE UNIT - 5/8" I.D.                       | W/POWER STEERING                | 1   |      |

EXHAUST MANIFOLD USE W/2 PIECE EXHAUST ELBOW



# EXHAUST MANIFOLD USE W/2 PIECE EXHAUST ELBOW



39322

EXHAUST MANIFOLD USE W/2 PIECE EXHAUST ELBOW

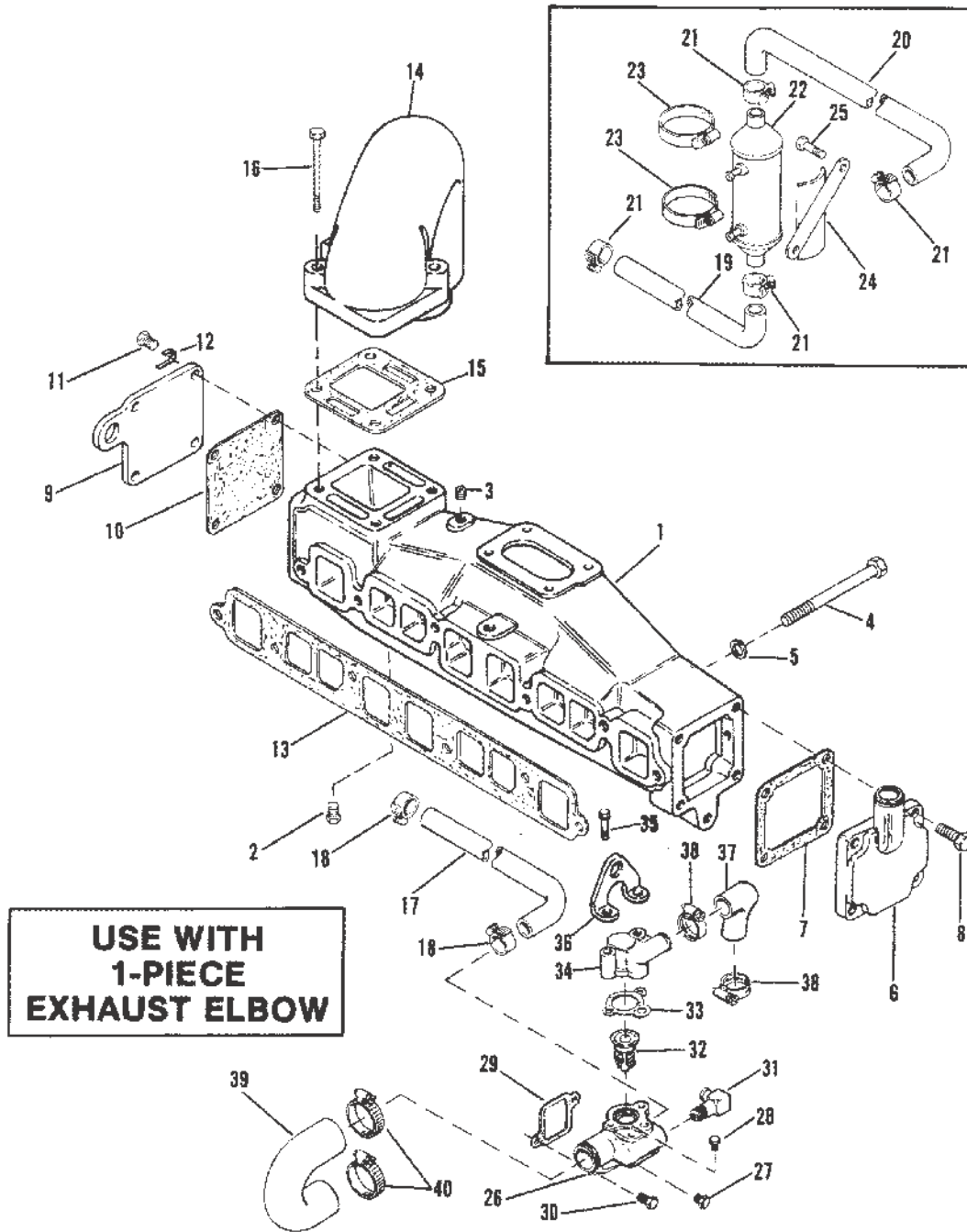
## EXHAUST MANIFOLD USE W/2 PIECE EXHAUST ELBOW

| Ref # | Part Class | Part Number | Description  | Comments              | Qty | Note |
|-------|------------|-------------|--|-----------------------|-----|------|
| 29    | 0032       | 42851       | HOSE COOLER TO DRIVE UNIT - 3/4" I.D.                      | W/POWER STEERING      | 1   |      |
| 30    | 0032       | 96764       | HOSE COOLER TO HOUSING - 5/8" I.D.                         | W/POWER STEERING      | 1   |      |
| 30    | 0032       | 44107       | HOSE COOLER TO HOUSING - 3/4" I.D.                         | W/POWER STEERING      | 1   |      |
| 31    | 0054       | 32523       | CLAMP HOSE ATTACHING                                       | W/POWER STEERING      | 4   |      |
| 32    | 0000       | 96783A1     | COOLER Oil   | W/POWER STEERING      | 1   |      |
| 33    | 0054       | 32533       | CLAMP OIL COOLER ATTACHING                                 | W/POWER STEERING      | 2   |      |
| 34    | 0000       | 96762A1     | BRACKET OIL COOLER   | W/POWER STEERING      | 1   |      |
| 35    | 0010       | 35386       | SCREW (.312-18 x 1.00) OIL COOLER BRACKET                  | W/POWER STEERING      | 2   |      |
| 36    | 0000       | 47587A2     | HOUSING ASSEMBLY Thermostat                                |                       | 1   |      |
| 37    | 0022       | 32803       | PLUG Pipe (.375-18) Brass HOUSING                          |                       | 1   |      |
| 38    | 0022       | 32802       | PLUG Pipe (.125-27) HOUSING                                |                       | 1   |      |
| 39    | 0027       | 33680       | GASKET HOUSING   |                       | 1   | [1]  |
| 40    | 0010       | 76926       | SCREW (.375-16 x .875) HOUSING                             |                       | 2   |      |
| 41    | 0022       | 53509       | ELBOW HOUSING  | (FOR 5/8" WATER HOSE) | 1   |      |
| 41    | 0022       | 42853       | ELBOW HOUSING  | (FOR 3/4" WATER HOSE) | 1   |      |
| 42    | 0000       | 59078       | THERMOSTAT   |                       | 1   | [2]  |
| 43    | 0027       | 47590       | GASKET THERMOSTAT COVER                                    |                       | 1   | [1]  |
| 44    | 0000       | 60372A2     | COVER ASSEMBLY Thermostat Housing                          |                       | 1   |      |
| 45    | 0010       | 60374       | SCREW (1.75 In.) THERMOSTAT COVER ATTACHING (1-3/4")       |                       | 2   |      |
| 46    | 0012       | 36533       | WASHER (.328 x .562 x .0312) Copper THERMOSTAT COVER SCREW |                       | 2   |      |
| 47    | 0032       | 52481       | HOSE HOUSING TO END CAP/CONNECTOR                          |                       | 1   |      |
| 48    | 0054       | 32780       | CLAMP HOSE ATTACHING                                       |                       | 2   |      |
| 49    | 0032       | 96879       | HOSE HOUSING TO WATER PUMP                                 |                       | 1   |      |
| 50    | 0054       | 32781       | CLAMP HOSE ATTACHING                                       |                       | 2   |      |

## PART NOTES:

- [1] - COMPONENT OF 52364A88 GASKET SET, ENGINE OVERHAUL 140-3.0L-181 CID  
COMPONENT OF 34273A88 GASKET SET, ENGINE OVERHAUL 120-2.5L-153 CID
- [2] - Alternate part numbers:  
59078 Service Part  
59078Q 3Kit  
59078T 3MPP

EXHAUST MANIFOLD (USE W/1 PIECE EXHAUST ELBOW)



39323

RESOURCE NOTES:

When replacing Exhaust Manifold Part Number 99798A 9 or 99798A16 also order Exhaust Elbow Part Number 12076A 2.

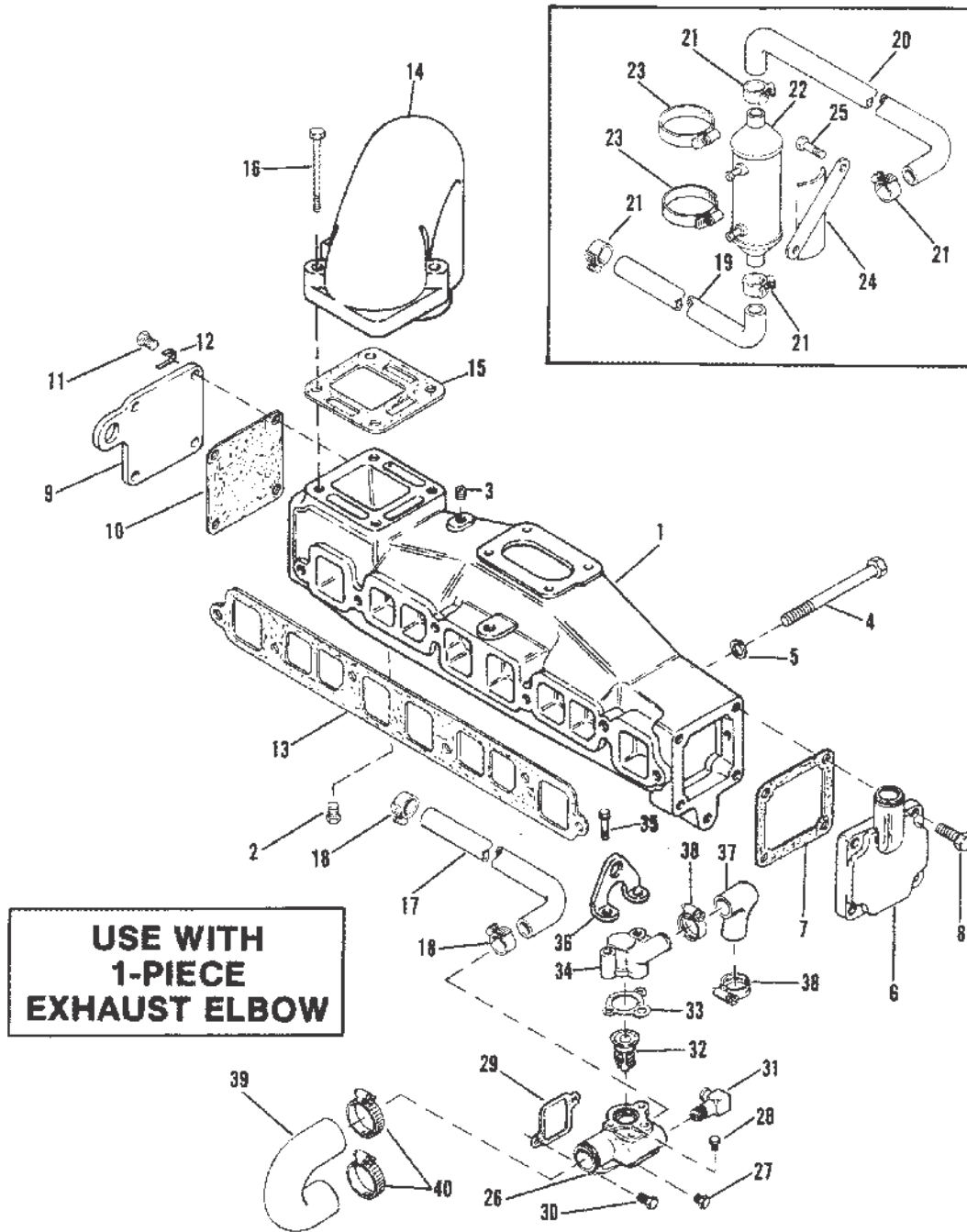
EXHAUST MANIFOLD (USE W/1 PIECE EXHAUST ELBOW)

## EXHAUST MANIFOLD (USE W/1 PIECE EXHAUST ELBOW)

| Ref # | Part Class | Part Number | Description   | Comments                                | Qty | Note |
|-------|------------|-------------|---|---|-----|------|
| 1     | 0000       | 99798A9     | MANIFOLD ASSEMBLY Exhaust                             | (Conventional Ignition)<br>(See Note 1) | 1   |      |
| 1     | 0000       | 99798A16    | MANIFOLD ASSEMBLY Exhaust                             | (Digital Ignition) (See Note<br>1)      | 1   |      |
| 2     | 0022       | 32802       | PLUG Pipe (.125-27) EXHAUST<br>MANIFOLD               |   | 1   |      |
| 3     | 0022       | 36382       | FITTING (.250-18 x .62) Brass<br>EXHAUST MANIFOLD     |   | 1   |      |
| 4     | 0010       | 52143       | SCREW (.375-16 x 4.750)                               |   | 5   |      |
| 5     | 0012       | 20553       | WASHER (.406 x .734 x .063)<br>EXHAUST MANIFOLD SCREW |   | 5   |      |
| 6     | 0000       | 60252A2     | END CAP EXHAUST MANIFOLD<br>(FRONT)                   |   | 1   |      |
| 7     | 0027       | 48043       | GASKET END CAP  |   | 1   | [1]  |
| 8     | 0010       | 35386       | SCREW (.312-18 x 1.00)                                |   | 4   |      |
| 9     | 0000       | 99179A1     | END CAP/LIFTING EYE EXHAUST<br>MANIFOLD (REAR)        |   | 1   |      |
| 10    | 0027       | 738141      | GASKET END CAP  |   | 1   | [1]  |
| 11    | 0010       | 59645       | SCREW (.312-18 x .750)                                |   | 4   |      |
| 12    | 0054       | 47483       | J CLIP END CAP SCREW                                  |   | 1   |      |
| 13    | 0027       | 96429       | GASKET EXHAUST MANIFOLD<br>TO CYLINDER HEAD           |   | 1   | [1]  |
| 14    | 0000       | 12076A1     | ADAPTER ASSEMBLY Exhaust                              |   | 1   |      |
| 15    | 0027       | 997771      | GASKET EXHAUST ADAPTOR                                |   | 1   | [1]  |
| 16    | 0010       | 668631      | SCREW (.375-16 x 2.500)<br>EXHAUST ELBOW              |   | 2   |      |
| 17    | 0032       | 4285064     | HOSE Transom Plate to Housing -<br>INLET (3/4" I.D.)  | WITH OUT POWER<br>STEERING              | 1   |      |
| 18    | 0054       | 32523       | CLAMP INLET HOSE ATTACHING                            | WITH OUT POWER<br>STEERING              | 2   |      |
| 19    | 0032       | 42851       | HOSE COOLER TO DRIVE UNIT                             | WITH POWER STEERING                     | 1   |      |
| 20    | 0032       | 44107       | HOSE COOLER OT HOUSING                                | WITH POWER STEERING                     | 1   |      |
| 21    | 0054       | 32780       | CLAMP HOSE ATTACHING                                  | WITH POWER STEERING                     | 4   |      |
| 22    | 0000       | 96783A1     | COOLER Oil  | WITH POWER STEERING                     | 1   |      |
| 23    | 0054       | 32533       | CLAMP OIL COOLER ATTACHING                            | WITH POWER STEERING                     | 2   |      |
| 24    | 0000       | 96762A1     | BRACKET OIL COOLER                                    | WITH POWER STEERING                     | 1   |      |
| 25    | 0010       | 35386       | SCREW (.312-18 x 1.00) OIL<br>COOLER BRACKET          | WITH POWER STEERING                     | 2   |      |
| 26    | 0000       | 47587A2     | HOUSING ASSEMBLY Thermostat<br>- CYL. HEAD            |   | 1   |      |
| 27    | 0022       | 32803       | PLUG Pipe (.375-18) Brass<br>HOUSING                  |   | 1   |      |
| 28    | 0022       | 32802       | PLUG Pipe (.125-27) HOUSING                           |   | 1   |      |
| 29    | 0027       | 33680       | GASKET HOUSING  |   | 1   | [1]  |
| 30    | 0010       | 90059       | SCREW (.375-16 x .875)                                |   | 1   |      |
| 30    | 0010       | 90187       | SCREW (.375-16 x 1.250)                               |   | 1   |      |
| 31    | 0022       | 42853       | ELBOW HOUSING   |   | 1   |      |
| 32    | 0000       | 59078       | THERMOSTAT  |   | 1   | [2]  |
| 33    | 0027       | 475901      | GASKET THERMOSTAT COVER                               |   | 1   | [3]  |

## EXHAUST MANIFOLD (USE W/1 PIECE EXHAUST ELBOW)

# EXHAUST MANIFOLD (USE W/1 PIECE EXHAUST ELBOW)



39323

## EXHAUST MANIFOLD (USE W/1 PIECE EXHAUST ELBOW)

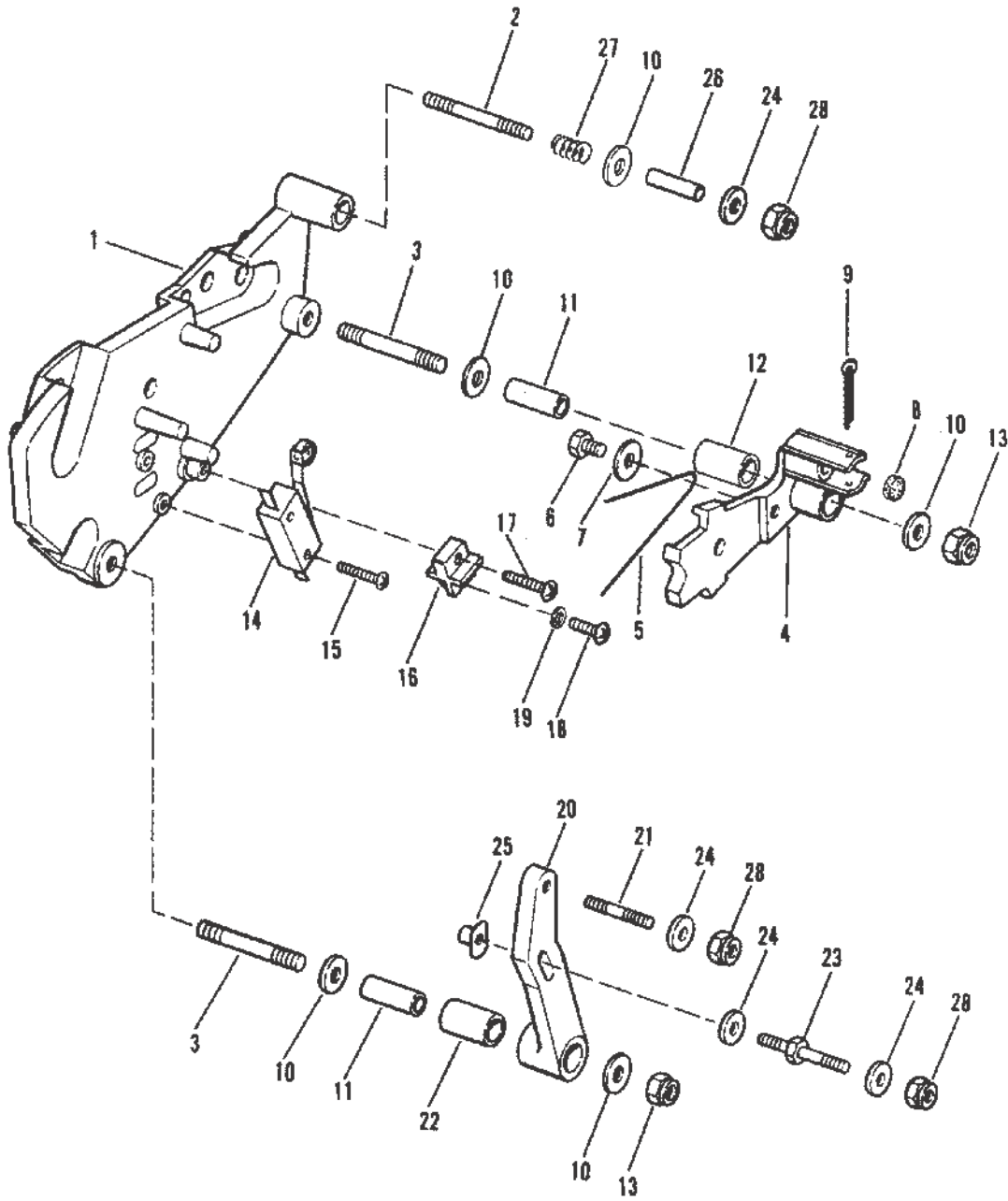
## EXHAUST MANIFOLD (USE W/1 PIECE EXHAUST ELBOW)

| Ref # | Part Class | Part Number | Description                              | Comments     | Qty | Note |
|-------|------------|-------------|--|--------------|-----|------|
| 34    | 0000       | 60372A2     | COVER ASSEMBLY Thermostat Housing        |              | 1   |      |
| 35    | 0010       | 79654       | SCREW (.312-18 x 2.380) THERMOSTAT COVER |              | 2   |      |
| 35    | 0010       | 60374       | SCREW (1.75 In.) THERMOSTAT COVER        | (OLD DESIGN) | 2   |      |
| 36    | 0000       | 12423       | LIFTING EYE                              |              | 1   |      |
| 37    | 0032       | 52481       | HOSE HOUSING TO END CAP/CONNECTOR        |              | 1   |      |
| 38    | 0054       | 32780       | CLAMP HOSE ATTACHING                     |              | 2   |      |
| 39    | 0032       | 96879       | HOSE HOUSING TO WATER PUMP               |              | 1   |      |
| 40    | 0054       | 87268       | CLAMP HOSE ATTACHING                     |              | 2   |      |

**PART NOTES:**

- [1] - COMPONENT OF 52364A88 GASKET SET, ENGINE OVERHAUL 140-3.0L-181 CID  
COMPONENT OF 34273A88 GASKET SET, ENGINE OVERHAUL 120-2.5L-153 CID
- [2] - Alternate part numbers:  
59078Service Part  
59078Q 3Kit  
59078T 3MPP
- [3] - Alternate part numbers:  
47590 1Service Part  
47590Q01QS  
COMPONENT OF 52364A88 GASKET SET, ENGINE OVERHAUL 140-3.0L-181 CID  
COMPONENT OF 34273A88 GASKET SET, ENGINE OVERHAUL 120-2.5L-153 CID

# SHIFT COMPONENTS (OLD DESIGN)



39324

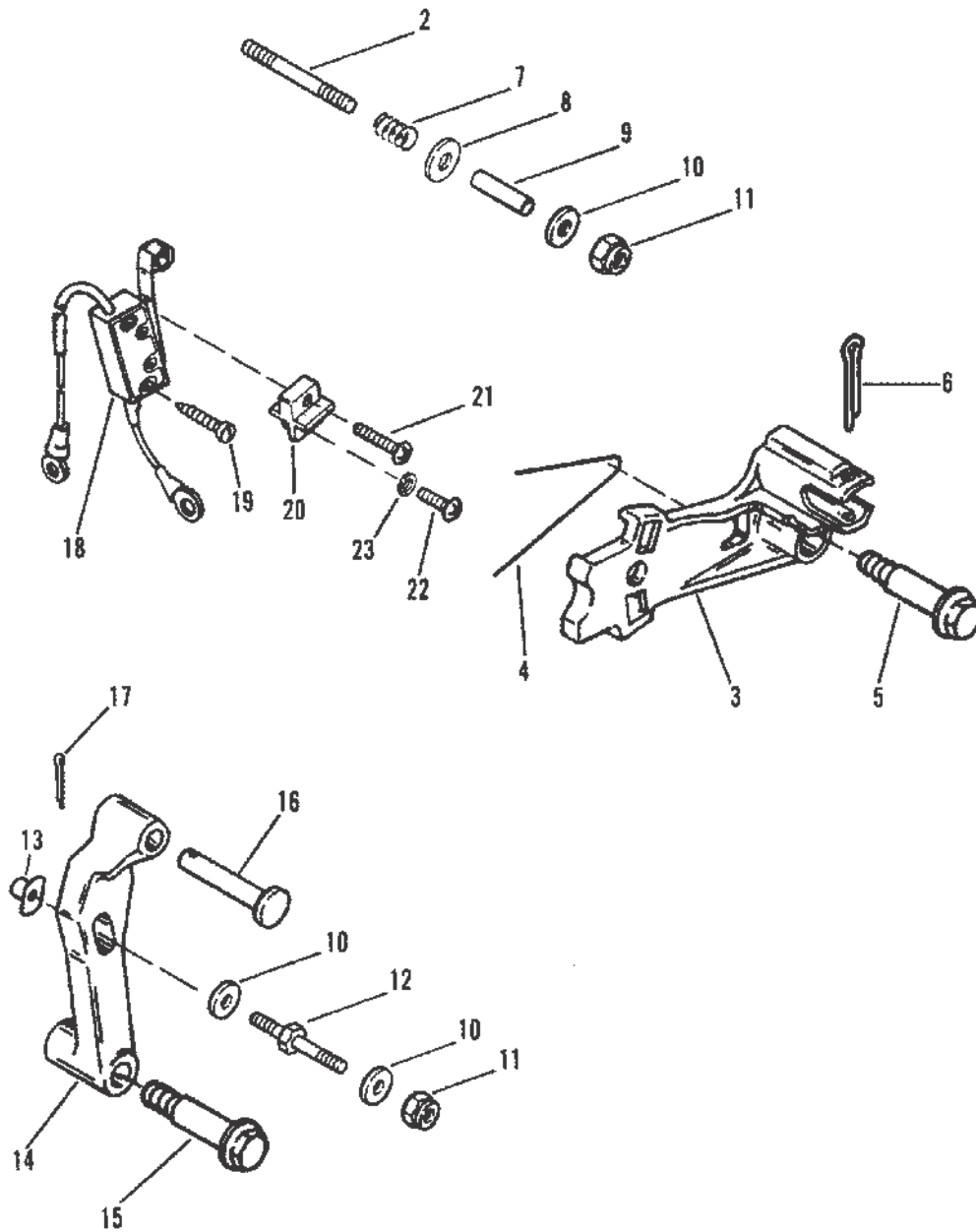
## SHIFT COMPONENTS (OLD DESIGN)

| Ref # | Part Class | Part Number | Description  | Comments | Qty | Note |
|-------|------------|-------------|--|----------|-----|------|
| 1     | 0000       | 99237A10    | BRACKET ASSEMBLY (EARLY MODELS)                                |          | 1   |      |
| 2     | 0016       | 98798       | STUD SHIFT CABLE   |          | 1   |      |
| 3     | 0016       | 96108       | STUD SHIFT BRACKET   |          | 2   |      |
| 4     | 0000       | 13051A4     | LEVER ASSEMBLY Actuating                                       |          | 1   |      |
| 5     | 0024       | 45599       | SPRING ACTUATING LEVER   |          | 1   |      |
| 6     | 0010       | 88743       | SCREW (.312-18 x .500) SPRING TO LEVER                         |          | 1   |      |
| 7     | 0012       | 56720       | WASHER (.330 x .750 x .060) Stainless Steel SPRING SCREW       |          | 1   |      |
| 8     | 0023       | 98828       | SPACER RUBBER PAD  |          | 1   |      |
| 9     | 0018       | 32857       | COTTER PIN SHIFT CABLE RETAINING                               |          | 1   |      |
| 10    | 0012       | 56720       | WASHER (.330 x .750 x .060) Stainless Steel SHIFT BRACKET STUD |          | 5   |      |
| 11    | 0023       | 37981       | SPACER SHIFT BRACKET STUD                                      |          | 2   |      |
| 12    | 0023       | 45600       | SLEEVE ACTUATING LEVER   |          | 1   |      |
| 13    | 0011       | 35814       | NUT (.312-24) Stainless Steel SHIFT BRACKET STUD               |          | 2   |      |
| 14    | 0000       | 39670A28    | SWITCH ASSEMBLY CUT-OUT  |          | 1   |      |
| 15    | 0010       | 30902       | SCREW (#6-32 x .750) SWITCH TO SHIFT BRACKET                   |          | 2   |      |
| 16    | 0086       | 66986       | TERMINAL BLOCK   |          | 1   |      |
| 17    | 0010       | 96113       | SCREW (#10-32 x .880) Stainless Steel TERMINAL BLOCK           |          | 1   |      |
| 18    | 0010       | 73287       | SCREW (#10-32 x .380) TERMINAL BLOCK                           |          | 1   |      |
| 19    | 0013       | 26996       | LOCKWASHER (#10) Stainless Steel TERMINAL BLOCK SCREW          |          | 2   |      |
| 20    | 0000       | 13898A3     | LEVER ASSEMBLY Shift   |          | 1   |      |
| 21    | 0016       | 98851       | STUD SHIFT CABLE   |          | 1   |      |
| 22    | 0023       | 45600       | SLEEVE SHIFT LEVER   |          | 1   |      |
| 23    | 0016       | 96112       | STUD (.250-28 x 2.00) Throttle Cable Anchor-SHIFT CABLE        |          | 1   |      |
| 24    | 0012       | 35462       | WASHER (.2656 x .625 x .0625) Stainless Steel SHIFT CABLE STUD |          | 4   |      |
| 25    | 0011       | 63341       | TEE NUT SHIFT CABLE STUD                                       |          | 1   |      |
| 26    | 0023       | 98820       | SPACER SHIFT CABLE STUD  |          | 1   |      |
| 27    | 0024       | 98880       | SPRING SHIFT CABLE STUD  |          | 1   |      |
| 28    | 0011       | 20361       | NUT (.250-28) SHIFT CABLE STUD                                 |          | 3   |      |

## SHIFT COMPONENTS (OLD DESIGN)



# SHIFT COMPONENTS (NEW DESIGN)



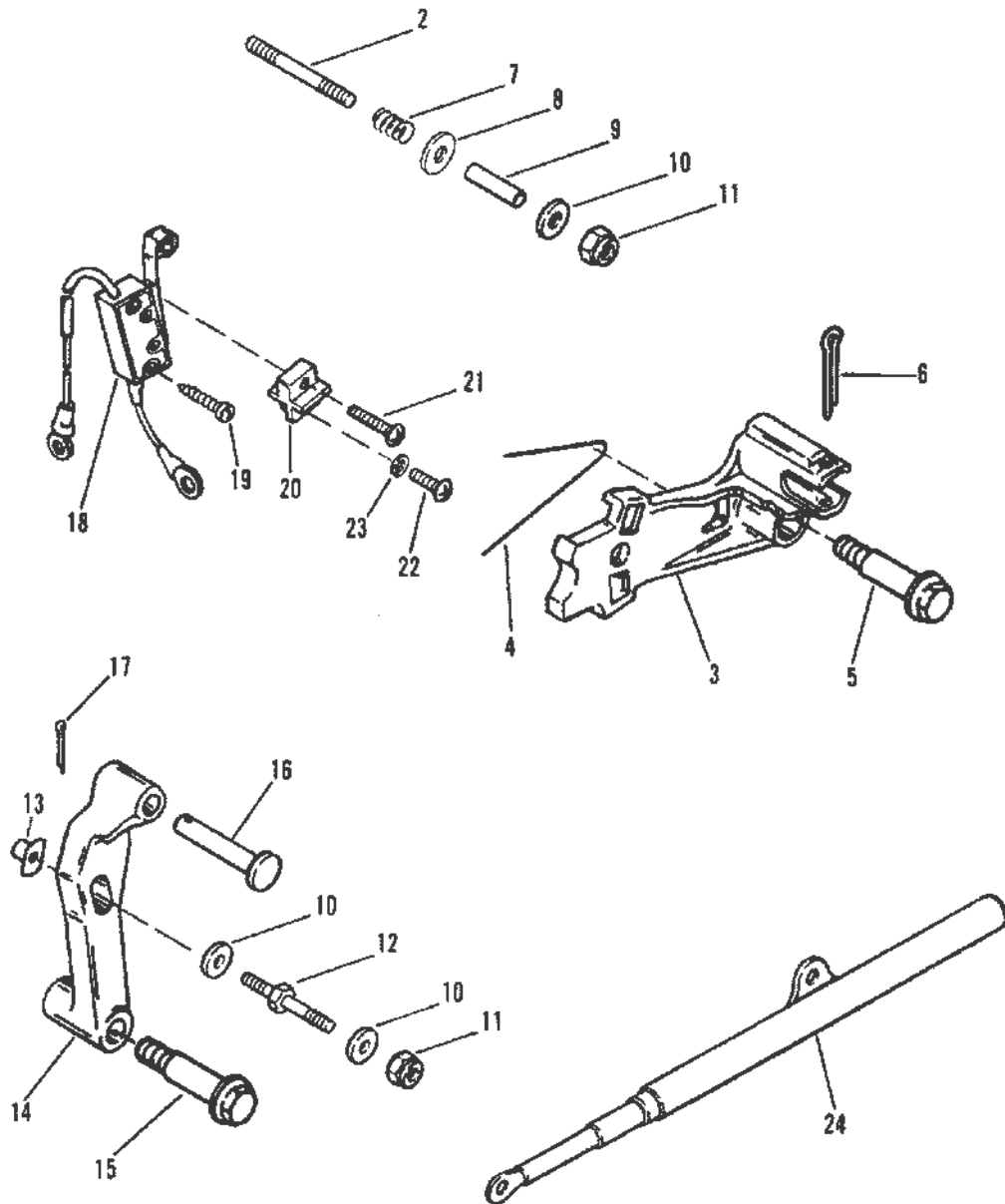
39326

## SHIFT COMPONENTS (NEW DESIGN)

| Ref # | Part Class | Part Number | Description  | Comments | Qty | Note |
|-------|------------|-------------|--|----------|-----|------|
| 2     | 0016       | 98798       | STUD SHIFT CABLE   |          | 1   |      |
| 3     | 0000       | 13051A4     | LEVER ASSEMBLY Actuating   |          | 1   |      |
| 4     | 0024       | 45599       | SPRING ACTUATING LEVER   |          | 1   |      |
| 5     | 0010       | 13743       | SCREW (.312-18 x 1.843)<br>Shoulder - LEVER                          |          | 1   |      |
| 6     | 0018       | 32857       | COTTER PIN SHIFT CABLE<br>RETAINING                                  |          | 1   |      |
| 7     | 0024       | 98880       | SPRING SHIFT CABLE STUD  |          | 1   |      |
| 8     | 0012       | 56720       | WASHER (.330 x .750 x .060)<br>Stainless Steel SHIFT BRACKET<br>STUD |          | 1   |      |
| 9     | 0023       | 98820       | SPACER SHIFT CABLE STUD  |          | 1   |      |
| 10    | 0012       | 35462       | WASHER (.2656 x .625 x .0625)<br>Stainless Steel SHIFT CABLE STUD    |          | 3   |      |
| 11    | 0011       | 13438       | NUT (.250-28) SHIFT CABLE STUD                                       |          | 2   |      |
| 12    | 0016       | 96112       | STUD (.250-28 x 2.00) Throttle<br>Cable Anchor-SHIFT CABLE           |          | 1   |      |
| 13    | 0011       | 63341       | TEE NUT SHIFT CABLE STUD   |          | 1   |      |
| 14    | 0000       | 13898A3     | LEVER ASSEMBLY Shift   |          | 1   |      |
| 15    | 0010       | 13743       | SCREW (.312-18 x 1.843)<br>Shoulder - SHIFT LEVER                    |          | 1   |      |
| 16    | 0017       | 68402       | PIN (.250 x 1.13) SHIFT LEVER  |          | 1   |      |
| 17    | 0018       | 21071       | COTTER PIN SHIFT LEVER   |          | 1   |      |
| 18    | 0000       | 39670A28    | SWITCH ASSEMBLY CUT-OUT  |          | 1   |      |
| 19    | 0010       | 30902       | SCREW (#6-32 x .750) SWITCH TO<br>SHIFT BRACKET                      |          | 2   |      |
| 20    | 0086       | 66986       | TERMINAL BLOCK   |          | 1   |      |
| 21    | 0010       | 96113       | SCREW (#10-32 x .880) Stainless<br>Steel TERMINAL BLOCK              |          | 1   |      |
| 22    | 0010       | 73287       | SCREW (#10-32 x .380)  |          | 1   |      |
| 23    | 0013       | 26996       | LOCKWASHER (#10) Stainless<br>Steel TERMINAL BLOCK SCREW             |          | 2   |      |

SHIFT COMPONENTS (NEW DESIGN)

# SHIFT COMPONENTS (NEW DESIGN WITH SPRING GUIDE)



39327

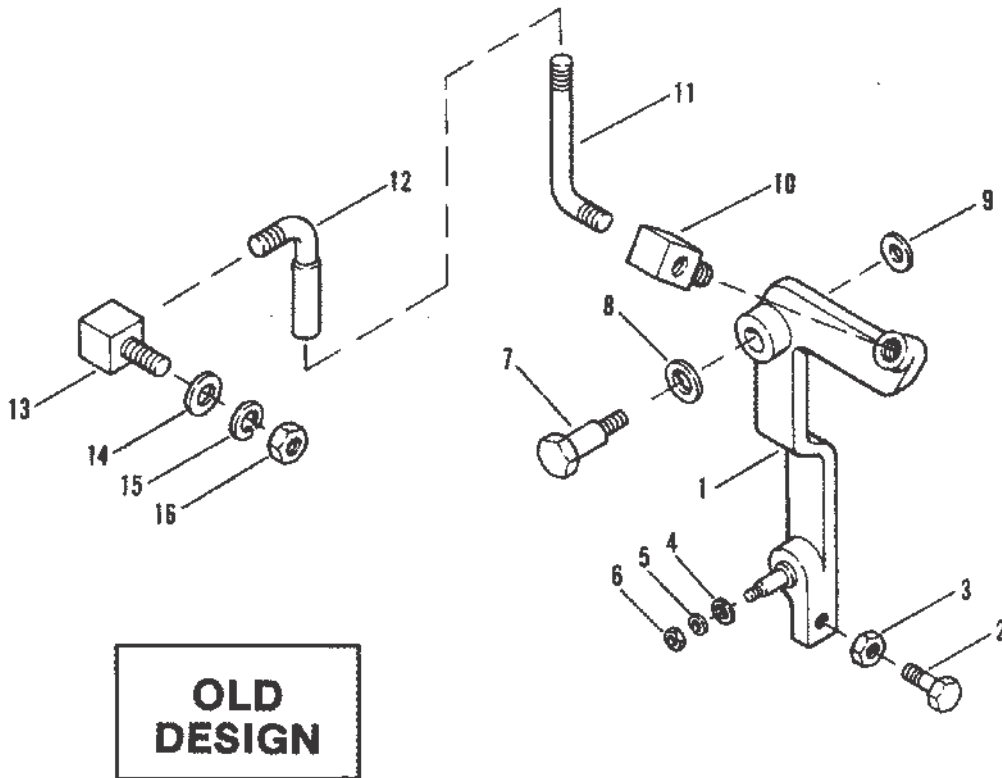
## SHIFT COMPONENTS (NEW DESIGN WITH SPRING GUIDE)

## SHIFT COMPONENTS (NEW DESIGN WITH SPRING GUIDE)

| Ref # | Part Class | Part Number | Description  | Comments | Qty | Note |
|-------|------------|-------------|--|----------|-----|------|
| 2     | 0016       | 814002      | STUD SHIFT CABLE   |          | 1   |      |
| 3     | 0000       | 13051A4     | LEVER ASSEMBLY Actuating   |          | 1   |      |
| 4     | 0024       | 45599       | SPRING ACTUATING LEVER   |          | 1   |      |
| 5     | 0010       | 13743       | SCREW (.312-18 x 1.843)<br>Shoulder - LEVER                          |          | 1   |      |
| 6     | 0018       | 32857       | COTTER PIN SHIFT CABLE<br>RETAINING                                  |          | 1   |      |
| 7     | 0024       | 98880       | SPRING SHIFT CABLE STUD  |          | 1   |      |
| 8     | 0012       | 56720       | WASHER (.330 x .750 x .060)<br>Stainless Steel SHIFT BRACKET<br>STUD |          | 1   |      |
| 9     | 0023       | 814003      | SPACER SHIFT CABLE STUD  |          | 1   |      |
| 10    | 0012       | 35462       | WASHER (.2656 x .625 x .0625)<br>Stainless Steel SHIFT CABLE STUD    |          | 3   |      |
| 11    | 0011       | 13438       | NUT (.250-28) SHIFT CABLE STUD                                       |          | 2   |      |
| 12    | 0016       | 96112       | STUD (.250-28 x 2.00) Throttle<br>Cable Anchor-SHIFT CABLE           |          | 1   |      |
| 13    | 0011       | 63341       | TEE NUT SHIFT CABLE STUD   |          | 1   |      |
| 14    | 0000       | 13898A3     | LEVER ASSEMBLY Shift   |          | 1   |      |
| 15    | 0010       | 13743       | SCREW (.312-18 x 1.843)<br>Shoulder - SHIFT LEVER                    |          | 1   |      |
| 16    | 0017       | 814001      | PIN Clevis - SHIFT LEVER   |          | 1   |      |
| 17    | 0018       | 21071       | COTTER PIN SHIFT LEVER   |          | 1   |      |
| 18    | 0000       | 39670A28    | SWITCH ASSEMBLY CUT-OUT  |          | 1   |      |
| 19    | 0010       | 30902       | SCREW (#6-32 x .750) SWITCH TO<br>SHIFT BRACKET                      |          | 2   |      |
| 20    | 0086       | 66986       | TERMINAL BLOCK   |          | 1   |      |
| 21    | 0010       | 96113       | SCREW (#10-32 x .880) Stainless<br>Steel TERMINAL BLOCK              |          | 1   |      |
| 22    | 0010       | 73287       | SCREW (#10-32 x .380) TERMINAL<br>BLOCK                              |          | 1   |      |
| 23    | 0013       | 26996       | LOCKWASHER (#10) Stainless<br>Steel TERMINAL BLOCK SCREW             |          | 2   |      |
| 24    | 0000       | 813995A1    | GUIDE ASSEMBLY Spring  |          | 1   |      |

SHIFT COMPONENTS (NEW DESIGN WITH SPRING GUIDE)

# THROTTLE COMPONENTS (OLD DESIGN)



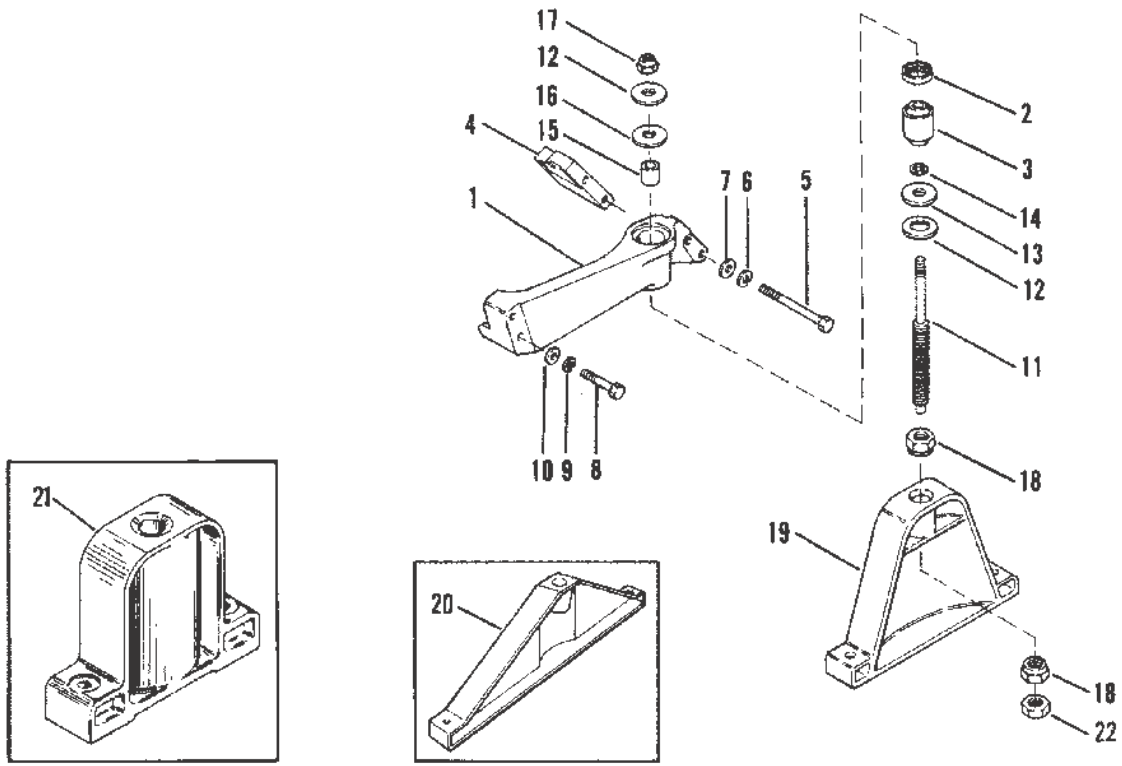
39328

## THROTTLE COMPONENTS (OLD DESIGN)

| Ref # | Part Class | Part Number | Description   | Comments | Qty | Note |
|-------|------------|-------------|---|----------|-----|------|
| 1     | 0000       | 96428A1     | LEVER THROTTLE  |          | 1   |      |
| 2     | 0010       | 76630       | SCREW (.250-20 x 1.00) STOP - THROTTLE LEVER                                  |          | 1   |      |
| 3     | 0011       | 33122       | NUT STOP SCREW  |          | 1   |      |
| 4     | 0012       | 35950       | WASHER (.273 x .437 x .031)<br>Stainless Steel THROTTLE LEVER STUD            |          | 1   |      |
| 5     | 0012       | 30164       | WASHER (.192 x .375 x .0312)<br>Stainless Steel THROTTLE LEVER STUD           |          | 1   |      |
| 6     | 0011       | 20110       | NUT (#10-32) THROTTLE LEVER STUD  |          | 1   |      |
| 7     | 0010       | 38507       | SCREW (5/16-18 x 1.313) STEP - THROTTLE LEVER                                 |          | 1   |      |
| 8     | 0012       | 20553       | WASHER (.406 x .734 x .063)   |          | 1   |      |
| 9     | 0012       | 57792       | WASHER THROTTLE LEVER STEP SCREW (21/64" I.D.)                                |          | 1   |      |
| 10    | 0000       | 27947       | SWIVEL LINK ROD TO THROTTLE LEVER   |          | 1   |      |
| 11    | 0000       | 37700       | ROD THROTTLE  |          | 1   |      |
| 12    | 0000       | 63145A1     | LINK ROD ASSEMBLY CARBURETOR  |          | 1   |      |
| 13    | 0000       | 38983       | SWIVEL LINK ROD TO CARBURETOR   |          | 1   |      |
| 14    | 0012       | 35950       | WASHER (.273 x .437 x .031)<br>Stainless Steel LINK ROD TO CARBURETOR SWIVEL  |          | 1   |      |
| 15    | 0012       | 30164       | WASHER (.192 x .375 x .0312)<br>Stainless Steel LINK ROD TO CARBURETOR SWIVEL |          | 1   |      |
| 16    | 0011       | 20110       | NUT (#10-32) LINK ROD TO CARBURETOR SWIVEL                                    |          | 1   |      |

THROTTLE COMPONENTS (OLD DESIGN)

# ENGINE MOUNTING (FRONT)



39329

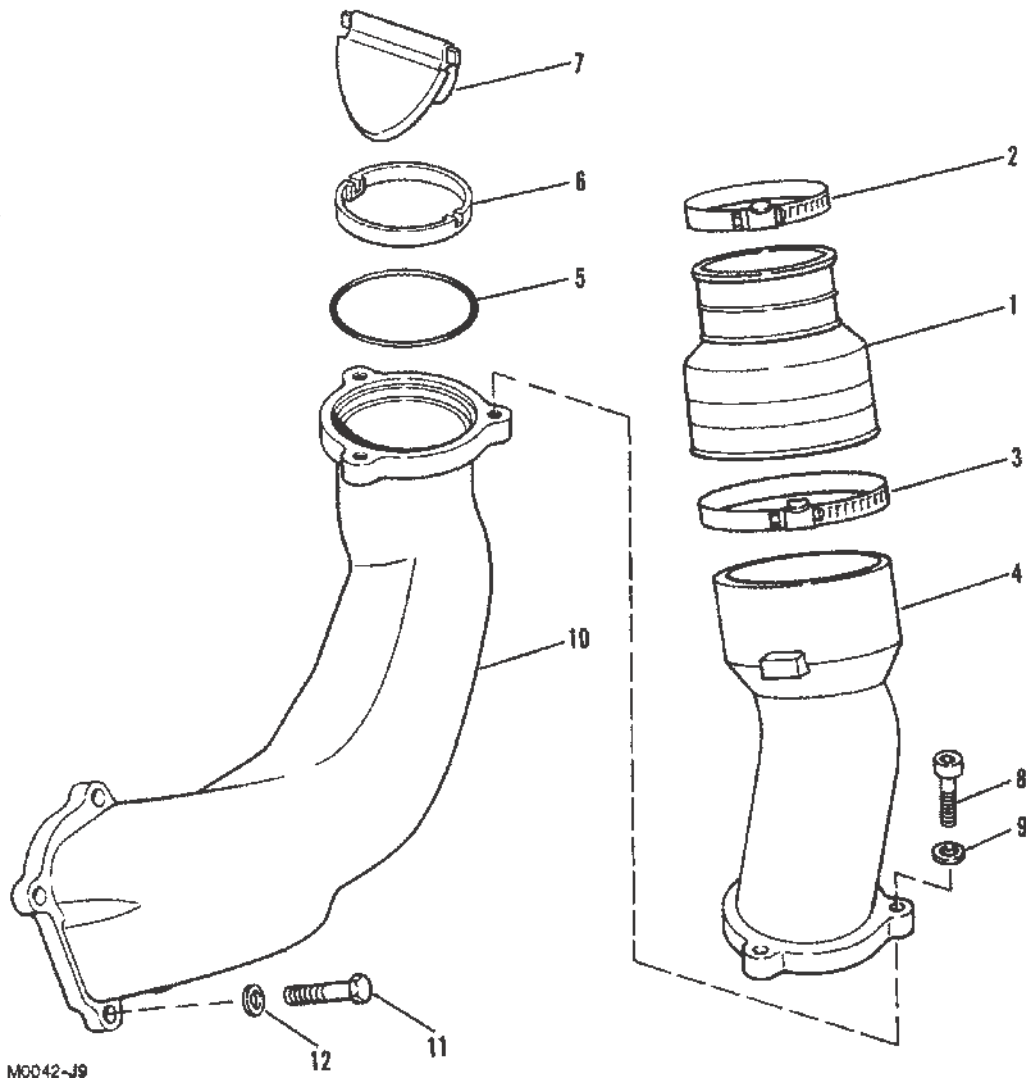
## ENGINE MOUNTING (FRONT)

| Ref # | Part Class | Part Number | Description  | Comments                | Qty | Note |
|-------|------------|-------------|--|-------------------------|-----|------|
| 1     | 0000       | 73571A2     | BRACKET ASSEMBLY FRONT MOUNTING                              |                         | 1   |      |
| 2     | 0023       | 35903       | SPACER BRACKET   |                         | 1   |      |
| 3     | 0000       | 32833       | MOUNT BRACKET  |                         | 1   |      |
| 4     | 0000       | 35862       | BLOCK SPACER - BRACKET                                       |                         | 1   |      |
| 5     | 0010       | 32557       | SCREW (.437-14 x 4.625)<br>BRACKET TO BLOCK                  |                         | 2   |      |
| 6     | 0013       | 32993       | LOCKWASHER (.437) BRACKET<br>SCREW                           |                         | 2   |      |
| 7     | 0012       | 22248       | WASHER (.453 x .875 x .060)<br>BRACKET SCREW                 |                         | 2   |      |
| 8     | 0010       | 26486       | SCREW (.375-16 x 2.375)<br>BRACKET TO BLOCK                  | (W/O POWER<br>STEERING) | 2   |      |
| 8     | 0010       | 47688       | SCREW (.375-16 x 2.750)<br>BRACKET TO BLOCK                  | W/POWER STEERING)       | 2   |      |
| 9     | 0013       | 35048       | LOCKWASHER (.375) BRACKET<br>SCREW                           |                         | 2   |      |
| 10    | 0012       | 25909       | WASHER (.406 x .812 x .065)<br>BRACKET SCREW                 |                         | 2   |      |
| 11    | 0016       | 36100T      | STUD ADJSUTING - FRONT<br>MOUNTING BRACKET                   |                         | 1   |      |
| 12    | 0012       | 36103       | WASHER (Steel, 1.75 Inch Outside<br>Diameter) ADJUSTING STUD |                         | 2   |      |
| 13    | 0012       | 32638       | WASHER Rubber ADJUSTING<br>STUD                              |                         | 1   |      |
| 14    | 0012       | 30119       | WASHER (.875 Inch Outside<br>Diameter) ADJUSTING STUD        |                         | 1   |      |
| 15    | 0023       | 32756       | SPACER ADJUSTING STUD  |                         | 1   |      |
| 16    | 0012       | 36104       | WASHER Rubber RUBBER -<br>ADJUSTING STUD                     |                         | 1   |      |
| 17    | 0011       | 20220       | NUT (.500-20) ADJUSTING STUD<br>(TOP)                        |                         | 1   |      |
| 18    | 0011       | 32882       | NUT (.875-14) ADJUSTING STUD                                 |                         | 2   |      |
| 19    | 0000       | 32778       | SUPPORT FRONT - ENGINE<br>MOUNT                              |                         | 1   |      |
| 20    | 0000       | 32849       | SUPPORT FRONT - ENGINE<br>MOUNT                              |                         | OPT |      |
| 21    | 0000       | 76409       | SUPPORT FRONT - ENGINE<br>MOUNT                              |                         | OPT |      |
| 22    | 0011       | 47525       | NUT (.875-14) ADJUSTING STUD<br>(BOTTOM)                     |                         | 1   |      |

## ENGINE MOUNTING (FRONT)



# EXHAUST SYSTEM (OLD DESIGN)



M0042-J9

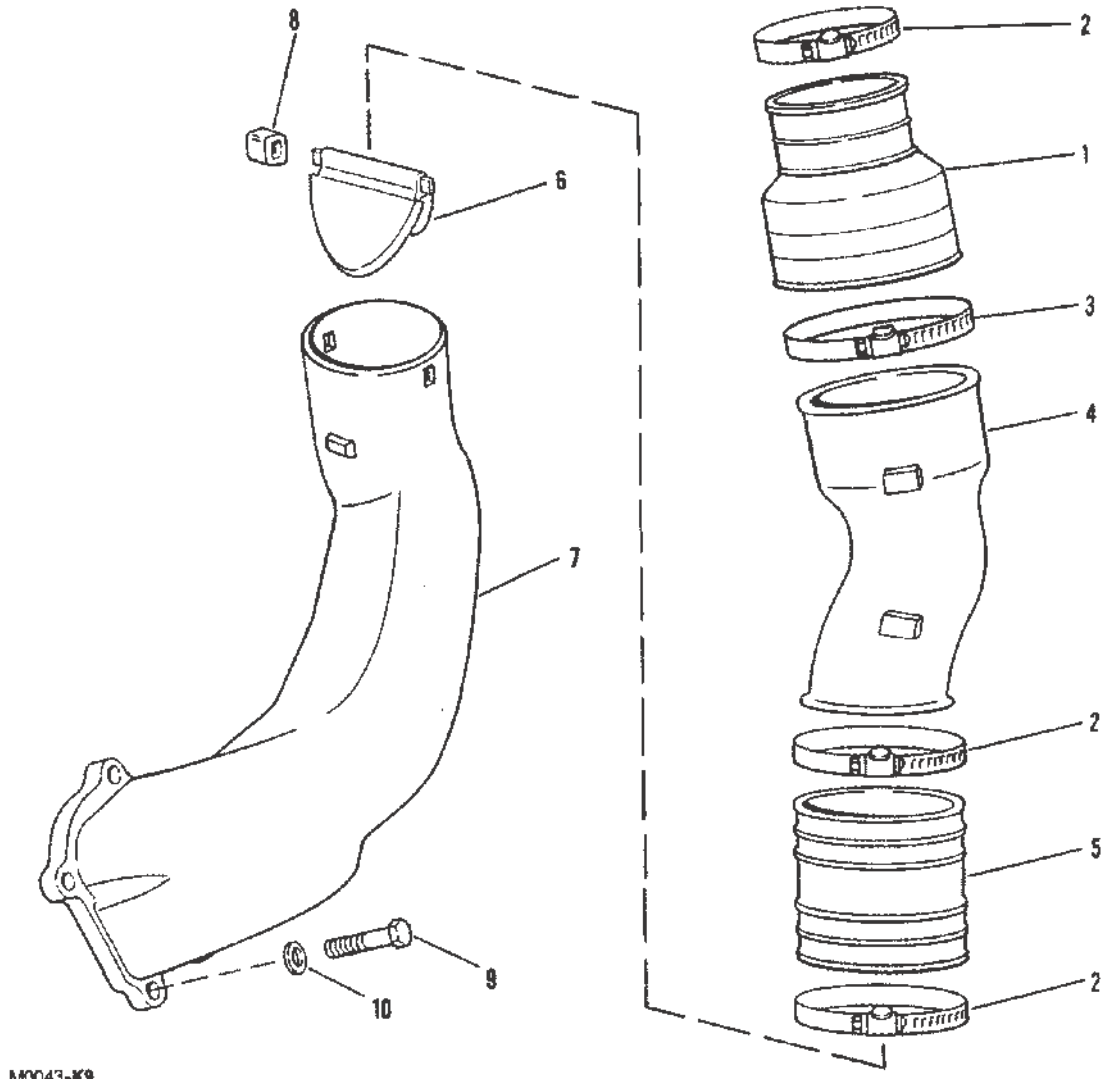
39330

## EXHAUST SYSTEM (OLD DESIGN)

## EXHAUST SYSTEM (OLD DESIGN)

| Ref # | Part Class | Part Number | Description                                    | Comments | Qty | Note |
|-------|------------|-------------|--|----------|-----|------|
| 1     | 0000       | 70981A3     | BELLOWS ASSEMBLY EXHAUST ELBOW TO ENGINE       |          | 1   |      |
| 2     | 0054       | 33683       | CLAMP BELLOWS (SMALL)                          |          | 2   |      |
| 3     | 0054       | 31765       | CLAMP BELLOWS (LARGE)                          |          | 2   |      |
| 4     | 0000       | 96107A1     | PIPE ASSEMBLY Exhaust UPPER                    |          | 1   |      |
| 5     | 0025       | 35029       | O-RING (78.97 X 3.53 MM) EXHAUST ELBOW         |          | 1   |      |
| 6     | 0000       | 60931       | RETAINER WATER SHUTTER                         |          | 1   |      |
| 7     | 0000       | 60930       | SHUTTER Water                                  |          | 1   |      |
| 8     | 0010       | 58640       | SCREW (.375-16 x 1.25) PIPE TO ELBOW           |          | 3   |      |
| 9     | 0013       | 41471       | LOCKWASHER (.375) PIPE SCREW                   |          | 3   |      |
| 10    | 0000       | 95870A4     | PIPE ASSEMBLY Exhaust LOWER                    |          | 1   |      |
| 11    | 0010       | 58640       | SCREW (.375-16 x 1.25) ELBOW TO GIMBAL HOUSING |          | 4   |      |
| 12    | 0013       | 41471       | LOCKWASHER (.375) ELBOW SCREW                  |          | 4   |      |

# EXHAUST SYSTEM (NEW DESIGN)



M0043-100

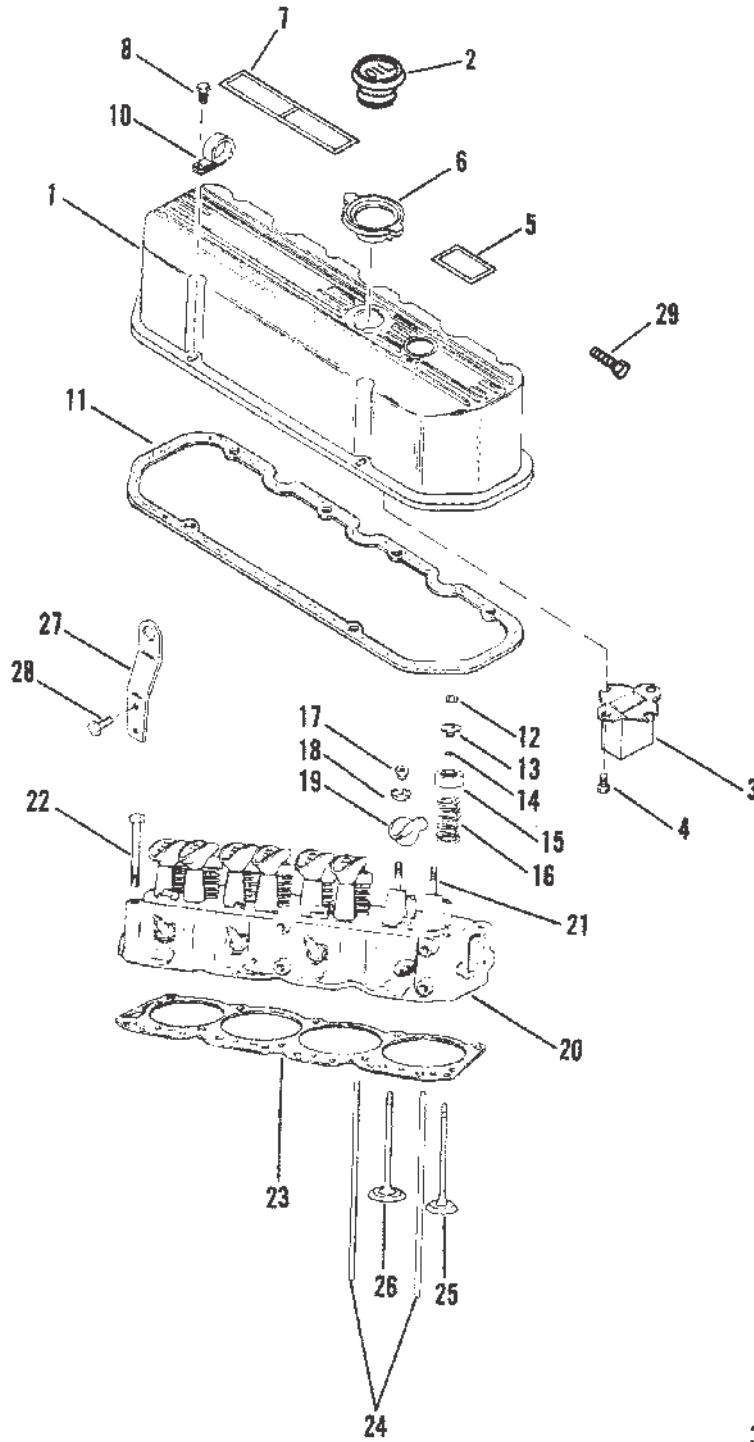
39331

## EXHAUST SYSTEM (NEW DESIGN)

| Ref # | Part Class | Part Number | Description                                    | Comments                       | Qty | Note |
|-------|------------|-------------|--|--------------------------------|-----|------|
| 1     | 0032       | 44348       | TUBE ELBOW TO ENGINE                           | USE WITH 1 PIECE EXHAUST ELBOW | 1   |      |
| 1     | 0000       | 70981A3     | BELLOWS ASSEMBLY EXHAUST ELBOW TO ENGINE       | USE WITH 2 PIECE EXHAUST ELBOW | 1   |      |
| 2     | 0054       | 33683       | CLAMP BELLOW (SMALL)                           | USE WITH 1 PIECE EXHAUST ELBOW | 4   |      |
| 2     | 0054       | 33683       | CLAMP BELLOWS (SMALL)                          | USE WITH 2 PIECE EXHAUST ELBOW | 6   |      |
| 3     | 0054       | 31765       | CLAMP BELLOWS (LARGE)                          | USE WITH 1 PIECE EXHAUST ELBOW | 4   |      |
| 3     | 0054       | 31765       | CLAMP BELLOWS (LARGE)                          | USE WITH 2 PIECE EXHAUST ELBOW | 2   |      |
| 4     | 0000       | 42422A2     | PIPE ASSEMBLY Exhaust - UPPER                  |                                | 1   |      |
| 5     | 0032       | 90949T      | TUBE Exhaust                                   |                                | 1   |      |
| 6     | 0000       | 60930       | SHUTTER Water                                  |                                | 1   |      |
| 7     | 0000       | 42421A5     | ELBOW ASSEMBLY Exhaust - LOWER                 |                                | 1   |      |
| 8     | 0025       | 43809       | GROMMET WATER SHUTTER                          |                                | 2   |      |
| 9     | 0010       | 58640       | SCREW (.375-16 x 1.25) ELBOW TO GIMBAL HOUSING |                                | 4   |      |
| 10    | 0013       | 41471       | LOCKWASHER (.375) ELBOW SCREW                  |                                | 4   |      |

EXHAUST SYSTEM (NEW DESIGN)

# CYLINDER HEAD AND ROCKER COVER (120-2.5L/153 CID)



39332

## CYLINDER HEAD AND ROCKER COVER (120-2.5L/153 CID)

## CYLINDER HEAD AND ROCKER COVER (120-2.5L/153 CID)

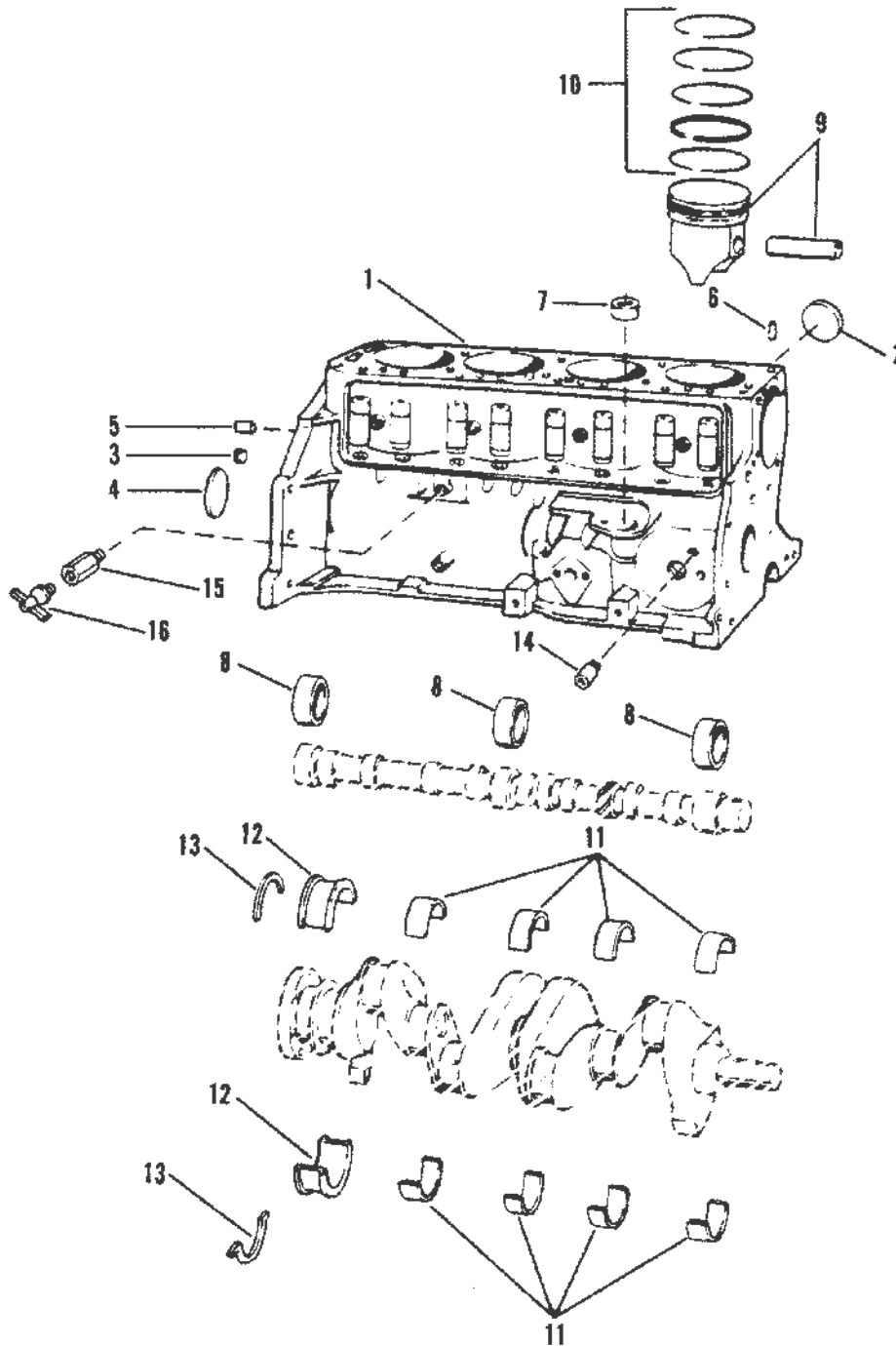
| Ref # | Part Class | Part Number | Description                                  | Comments           | Qty | Note |
|-------|------------|-------------|--|--------------------|-----|------|
| 1     | 0000       | 65635A8     | COVER ROCKER                                 |                    | 1   |      |
| 2     | 0036       | 75336       | CAP Filler                                   |                    | 1   |      |
| 3     | 0000       | 57638       | BAFFLE ROCKER COVER                          | OLD DESIGN         | 1   |      |
| 4     | 0010       | 62568       | SCREW (#10-16 x .375) BAFFLE TO ROCKER COVER | OLD DESIGN         | 4   |      |
| 5     | 0037       | 77253       | DECAL WAVES                                  | OLD DESIGN         | 1   |      |
| 6     | 0000       | 49288       | CAP ASSEMBLY Oil Filler                      | OLD DESIGN         | 1   |      |
| 7     | 0037       | 77246       | DECAL ROCKER COVER                           | (120)              | 1   |      |
| 7     | 0037       | 121151      | DECAL ROCKER COVER                           | (120 ALPHA ONE)    | 1   |      |
| 7     | 0037       | 121154      | DECAL ROCKER COVER                           | (2.5 LITRE)        | 1   |      |
| 8     | 0010       | 65746       | SCREW (.250-20 x .750)                       |                    | 5   |      |
| 10    | 0054       | 97224       | J CLIP INLET HOSE - ROCKER COVER SCREW       |                    | 3   |      |
| 11    | 0027       | 52145       | GASKET ROCKER COVER TO CYLINDER HEAD         |                    | 1   | [1]  |
| 12    | 0028       | 54797       | KEY VALVE STEM (2 PER VALVE)                 |                    | 16  |      |
| 13    | 0000       | 34515       | CAP VALVE STEM                               |                    | 8   |      |
| 14    | 0026       | 34217       | SEAL VALVE SPRING CAP                        |                    | 8   | [1]  |
| 15    | 0000       | 34518       | SHIELD VALVE SPRING CAP                      |                    | 8   |      |
| 16    | 0024       | 35214       | SPRING VALVE                                 |                    | 8   |      |
| 17    | 0011       | 34516       | NUT ROCKER VALVE ARM STUD                    |                    | 8   |      |
| 18    | 0000       | 59340       | BALL Rocker Arm ROCKER VALVE ARM STUD        |                    | 8   |      |
| 19    | 0000       | 34519       | ARM KIT ROCKER VALVE                         |                    | 8   |      |
| 20    | 0936       | 5319        | CYLINDER HEAD ASSEMBLY                       |                    | 1   | [2]  |
| 21    | 0016       | 34521       | STUD VALVE ROCKER ARM                        | (.013 O.S.)        | AR  |      |
| 21    | 0016       | 34522       | STUD VALVE ROCKER ARM                        | (.003 O.S.)        | AR  |      |
| 22    | 0010       | 34510       | BOLT CYLINDER HEAD TO CYLINDER BLOCK         |                    | 10  |      |
| 23    | 0027       | 34273       | GASKET CYLINDER HEAD TO CYLINDER BLOCK       |                    | 1   | [1]  |
| 24    | 0000       | 34532       | PUSH ROD PUSH - VALVE                        |                    | 8   |      |
| 25    | 0000       | 62421       | VALVE INLET                                  | (STANDARD STEM)    | 4   |      |
| 25    | 0000       | 62422       | VALVE INLET                                  | (.015 O.S. SYSTEM) | AR  |      |
| 26    | 0000       | 85803       | VALVE EXHAUST                                | (STANDARD STEM)    | 4   |      |
| 26    | 0000       | 49076       | VALVE EXHAUST                                | (.015 O.S. SYSTEM) | AR  |      |
| 27    | 0000       | 67850       | LIFTING EYE CYLINDER HEAD                    |                    | 1   |      |
| 28    | 0010       | 54528       | SCREW LIFTING EYE ATTACHING                  |                    | 2   |      |
| 29    | 0010       | 96430       | SHOULDER SCREW SHOULDER - CABLE ATTACHING    |                    | 1   |      |

## PART NOTES:

- [1] - COMPONENT OF 34273A88 GASKET SET, ENGINE OVERHAUL 120-2.5L-153 CID
- [2] - Alternate part numbers:  
5319QS  
8M0115134Kit

## CYLINDER HEAD AND ROCKER COVER (120-2.5L/153 CID)

# CYLINDER BLOCK, PISTON AND BEARINGS (120-2.5L/153 CID)



39333

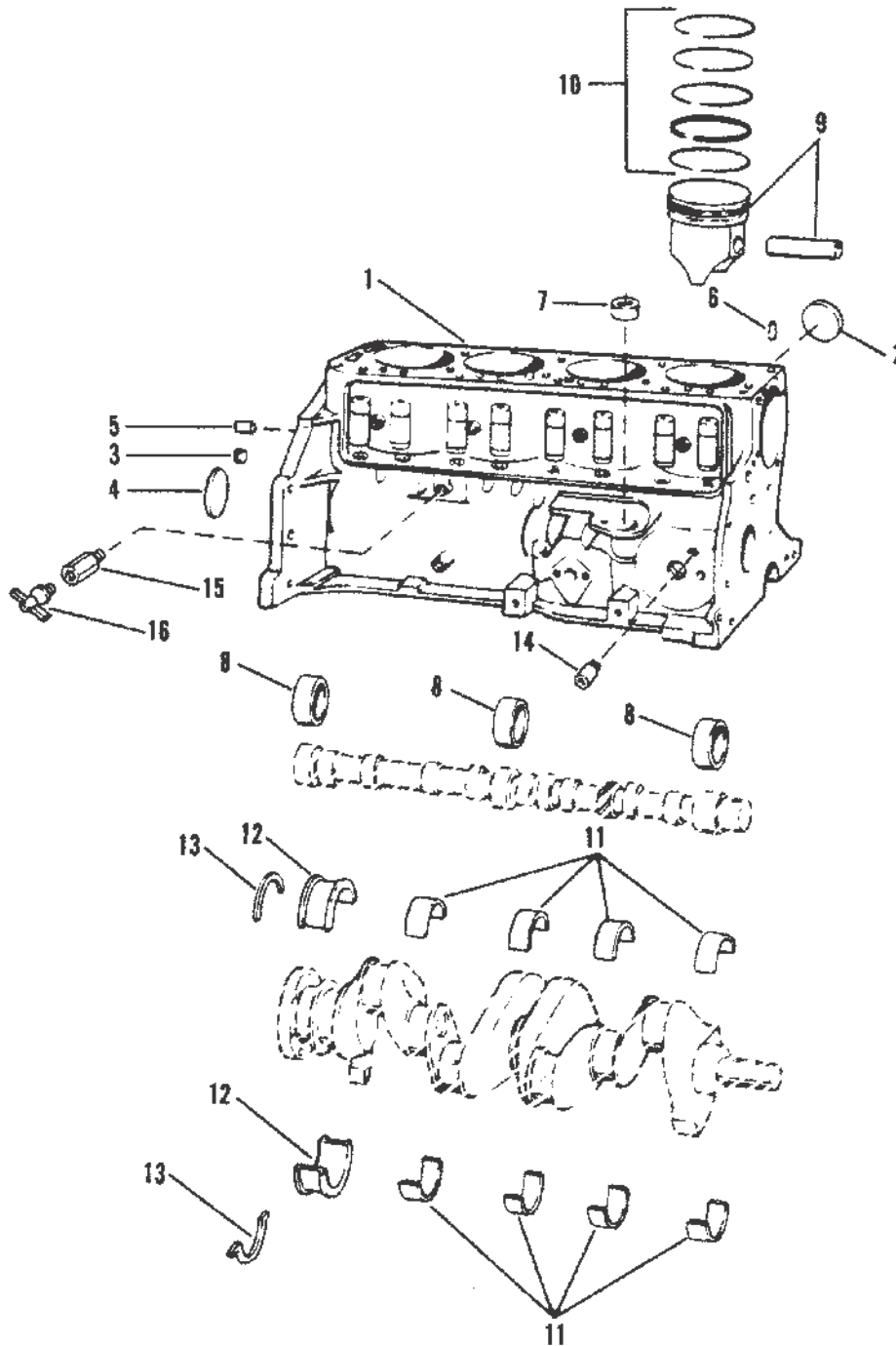
## CYLINDER BLOCK, PISTON AND BEARINGS (120-2.5L/153 CID)

| Ref # | Part Class | Part Number | Description                                      | Comments   | Qty | Note |
|-------|------------|-------------|--|--|-----|------|
| 1     | 0839       | 3548        | CYLINDER BLOCK ASSEMBLY                          | INCLUDES ONLY STANDARD PISTONS, PISTON RINGS, CRANKSHAFT BEARINGS AND CAMSHAFT BEARINGS. | 1   |      |
| 2     | 0019       | 34270       | EXPANSION PLUG (1.625) CYLINDER BLOCK            |  | 2   |      |
| 2     | 0019       | 34271       | EXPANSION PLUG (2.00) CYLINDER BLOCK             |  | 1   |      |
| 3     | 0019       | 37531       | PLUG OIL CHANNEL - CYLINDER BLOCK                |  | 1   |      |
| 4     | 0019       | 34488       | PLUG EXPANSION - CAMSHAFT BEARING HOLE           |  | 1   |      |
| 5     | 0019       | 34487       | PLUG (.375-18 x .42) PIPE - CYLINDER BLOCK       |  | 2   |      |
| 6     | 0017       | 35465       | PIN Dowel (.312) CYLINDER BLOCK TO CYLINDER HEAD |  | 2   |      |
| 7     | 0023       | 35168       | BEARING DISTRIBUTOR PILOT SHAFT                  |  | 1   |      |
| 8     | 0023       | 43293       | BEARING SET CAMSHAFT                             |  | 1   |      |
| 9     | 0736       | 2343        | PISTON ASSEMBLY                                  | (.001 O.S.)  | AR  |      |
| 9     | 0733       | 2279        | PISTON ASSEMBLY                                  | (.030 O.S.)  | AR  |      |
| 10    | 0039       | 67132       | RING PISTON                                      | (STANDARD)   | 4   |      |
| 10    | 0039       | 67134       | RING PISTON                                      | (.030 O.S.)  | AR  |      |
| 11    | 0023       | 85675       | BEARING CRANKSHAFT MAIN                          | (STANDARD)   | 4   |      |
| 11    | 0023       | 85676       | BEARING CRANKSHAFT MAIN                          | (.001 Undersize)   | AR  |      |
| 11    | 0023       | 85713       | BEARING CRANKSHAFT MAIN                          | (.010 Undersize)   | AR  |      |
| 11    | 0023       | 85714       | BEARING CRANKSHAFT MAIN                          | (.020 Undersize)   | AR  |      |
| 12    | 0023       | 85715       | BEARING CRANKSHAFT MAIN - REAR                   | (STANDARD)   | 1   |      |
| 12    | 0023       | 85670       | BEARING CRANKSHAFT MAIN - REAR                   | (.001Undersize)  | AR  |      |
| 12    | 0023       | 85718       | BEARING CRANKSHAFT MAIN - REAR                   | (.010 Undersize)   | AR  |      |
| 12    | 0023       | 85719       | BEARING CRANKSHAFT MAIN - REAR                   | (.020 Undersize)   | AR  |      |
| 13    | 0026       | 814622      | SEAL Oil CRANKSHAFT REAR BEARING                 |  | 1   | [1]  |
| 14    | 0000       | 34543       | VALVE BY-PASS - OIL FILTER                       |  | 1   |      |
| 15    | 0022       | 64425       | FITTING EXTENSION - CYLINDER BLOCK               |  | OPT |      |
| 16    | 0022       | 16951A1     | COCK ASSEMBLY DRAIN - CYLINDER BLOCK             |  | 1   |      |
| -     | 0000       | 87956A1     | PARTIAL ENGINE (120-2.5L)                        | INCLUDES INTERNAL PARTS AND CYLINDER HEADS.  | 1   |      |
| -     | 0092       | 916011      | SEALER Red RTV (WHERE APPLICABLE)                |  | 1   |      |
| -     | 0092       | 342271      | SEALING COMPOUND (16 Ounce)                      |  | 1   |      |
| -     | 0027       | 34273A88    | GASKET SET ENGINE OVERHAUL                       |  | 1   |      |

## CYLINDER BLOCK, PISTON AND BEARINGS (120-2.5L/153 CID)



# CYLINDER BLOCK, PISTON AND BEARINGS (120-2.5L/153 CID)



39333

**Cat.# 90-41261**

## **CYLINDER BLOCK, PISTON AND BEARINGS (120-2.5L/153 CID)**

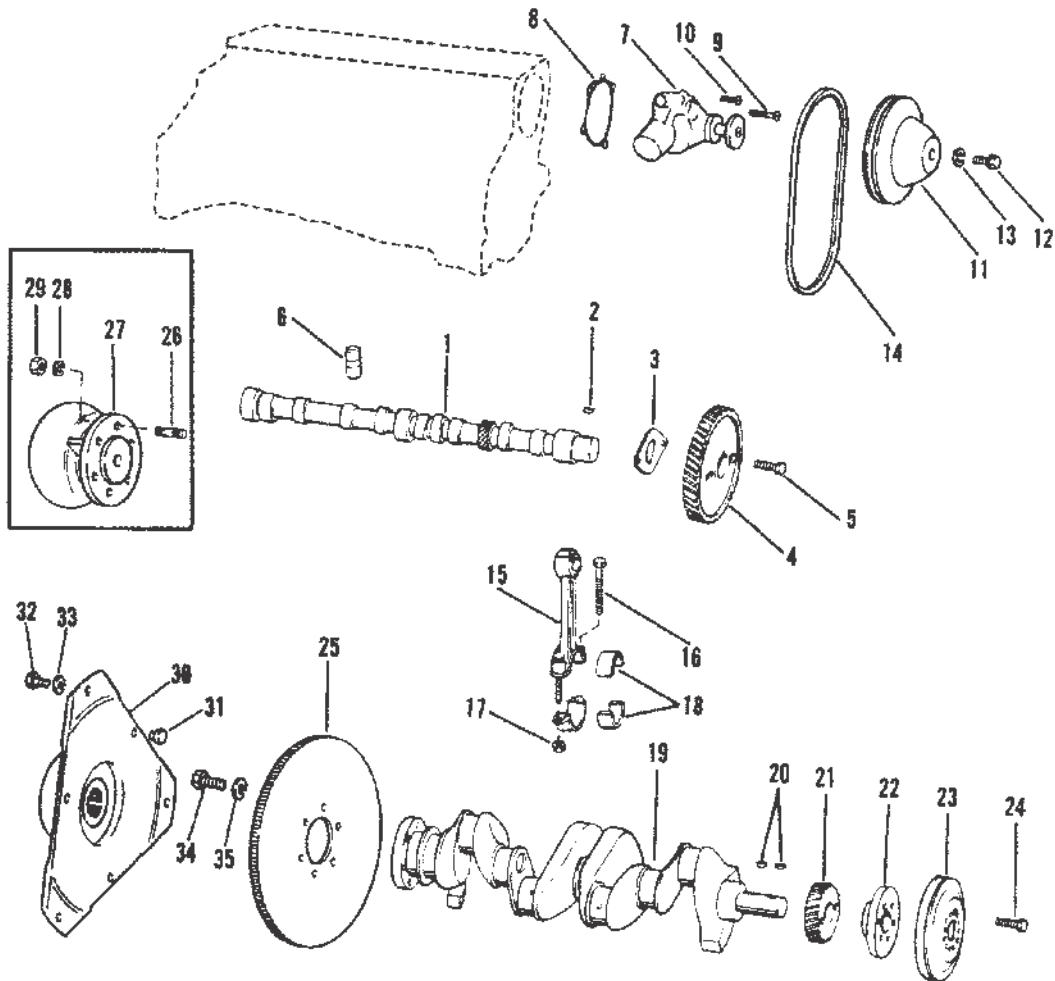
**PART NOTES:**

[1] - COMPONENT OF 34273A88 GASKET SET, ENGINE OVERHAUL 120-2.5L-153 CID

---

CYLINDER BLOCK, PISTON AND BEARINGS (120-2.5L/153 CID)

# CRANKSHAFT, CAMSHAFT, WATER PUMP (120-2.5L/153 CID)



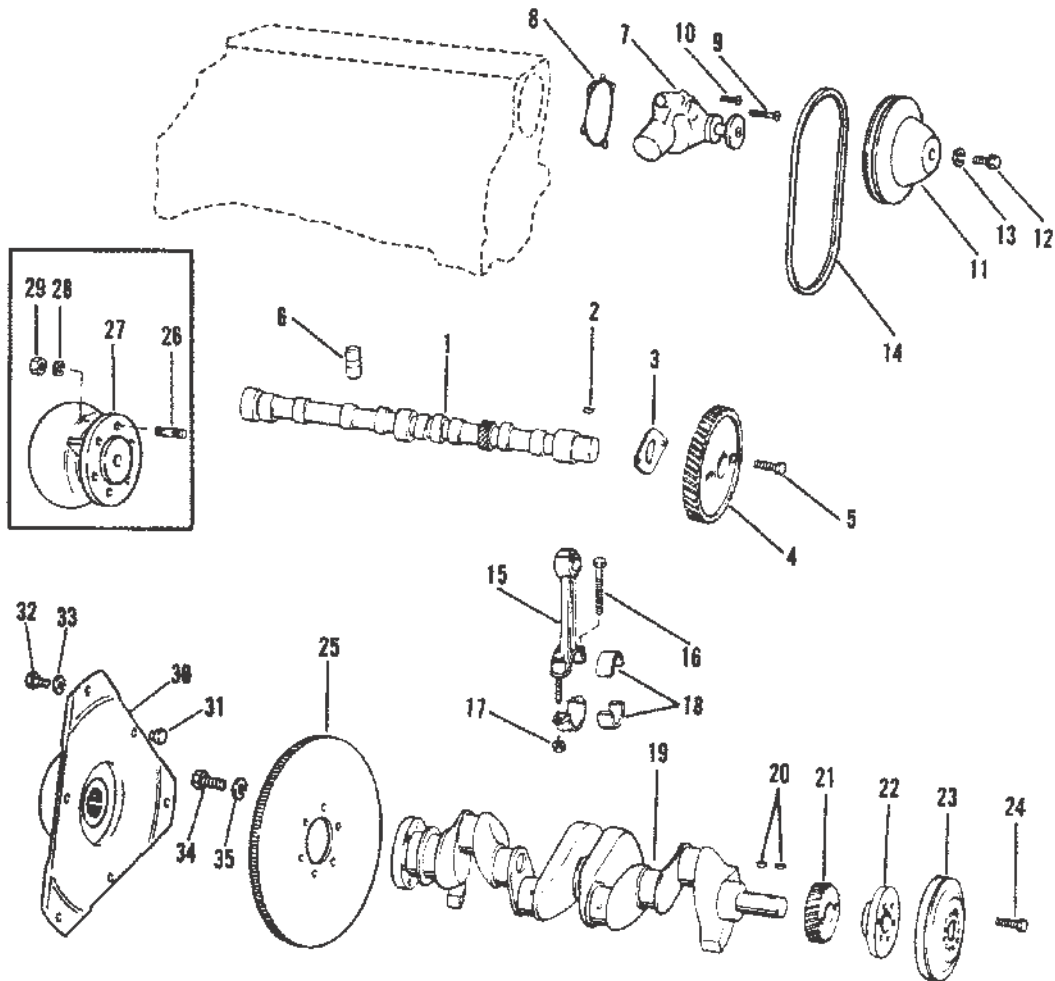
39334

## CRANKSHAFT, CAMSHAFT, WATER PUMP (120-2.5L/153 CID)

| Ref # | Part Class | Part Number | Description   | Comments             | Qty | Note |
|-------|------------|-------------|---|----------------------|-----|------|
| 1     | 0424       | 2422        | CAMSHAFT  |                      | 1   |      |
| 2     | 0028       | 34466       | KEY CAMSHAFT GEAR                                       |                      | 1   |      |
| 3     | 0023       | 34469       | BEARING Plate - CAMSHAFT THRUST                         |                      | 1   |      |
| 4     | 0043       | 58283       | GEAR TIMING   |                      | 1   |      |
| 5     | 0010       | 35366       | SCREW TIMING GEAR TO CAMSHAFT                           |                      | 2   |      |
| 6     | 0000       | 72638       | LIFTER HYDRAULIC - TAPPET                               |                      | 8   |      |
| 7     | 0000       | 65142A1     | PUMP ASSEMBLY Water (SPECIAL MARINE)                    |                      | 1   | [1]  |
| 8     | 0027       | 33956       | GASKET WATER PUMP                                       |                      | 1   | [2]  |
| 9     | 0010       | 34471       | SCREW (.312-18 x 1.500)                                 |                      | 2   |      |
| 10    | 0010       | 34505       | SCREW (.312-18 x .875)                                  |                      | 2   |      |
| 11    | 0000       | 52349       | PULLEY WATER PUMP                                       | (W/O POWER STEERING) | 1   |      |
| 11    | 0000       | 73483T      | PULLEY WATER PUMP (3 GROOVE)                            | (W/POWER STEERING)   | 1   |      |
| 12    | 0010       | 47277       | SCREW (.312-24 x .750) PULLEY TO WATER PUMP             |                      | 4   |      |
| 13    | 0013       | 39107       | LOCKWASHER (.312-24) PULLEY SCREW                       |                      | 4   |      |
| 14    | 0057       | 64032A1     | V BELT ALTERNATOR AND WATER PUMP                        | (W/O POWER STEERING) | 1   |      |
| 14    | 0057       | 69143T      | V BELT ALTERNATOR AND WATER PUMP                        | (W/POWER STEERING)   | 1   |      |
| 15    | 0613       | 2277        | CONNECTING ROD ASSEMBLY                                 |                      | 4   |      |
| 16    | 0010       | 75539       | BOLT CONNECTING ROD BEARING CAP                         |                      | 8   |      |
| 17    | 0011       | 58099       | NUT CONNECTING ROD CAP BOLT                             |                      | 8   |      |
| 18    | 0023       | 85677       | BEARING (PAIR), CONNECTING ROD                          | (STANDARD)           | 4   |      |
| 18    | 0023       | 85678       | BEARING (PAIR), CONNECTING ROD                          | (.001 Undersize)     | AR  |      |
| 18    | 0023       | 85679       | BEARING (PAIR), CONNECTING ROD                          | (.002 Undersize)     | AR  |      |
| 18    | 0023       | 85680       | BEARING (PAIR), CONNECTING ROD                          | (.0101 Undersize)    | AR  |      |
| 18    | 0023       | 85681       | BEARING (PAIR), CONNECTING ROD                          | (.020 Undersize)     | AR  |      |
| 19    | 0423       | 2275        | CRANKSHAFT  |                      | 1   |      |
| 20    | 0028       | 34466       | KEY PULLEY AND GEAR LOCATING                            |                      | 2   |      |
| 21    | 0043       | 46743       | TIMING GEAR CRANKSHAFT                                  |                      | 1   |      |
| 22    | 0000       | 34220       | HUB PULLEY - CRANKSHAFT                                 |                      | 1   |      |
| 23    | 0000       | 35602       | PULLEY CRANKSHAFT                                       |                      | 1   |      |
| 24    |            | N.S.S.      | Not Sold Separate SCREW, PULLEY TO CRANKCASE HUB (5/8") | GM #181593           | 1   |      |
| 24    |            | N.S.S.      | Not Sold Separate SCREW, PULLEY TO CRANKCASE HUB (3/8") | GM #3793100          | 2   |      |

## CRANKSHAFT, CAMSHAFT, WATER PUMP (120-2.5L/153 CID)

# CRANKSHAFT, CAMSHAFT, WATER PUMP (120-2.5L/153 CID)



39334

CRANKSHAFT, CAMSHAFT, WATER PUMP (120-2.5L/153 CID)

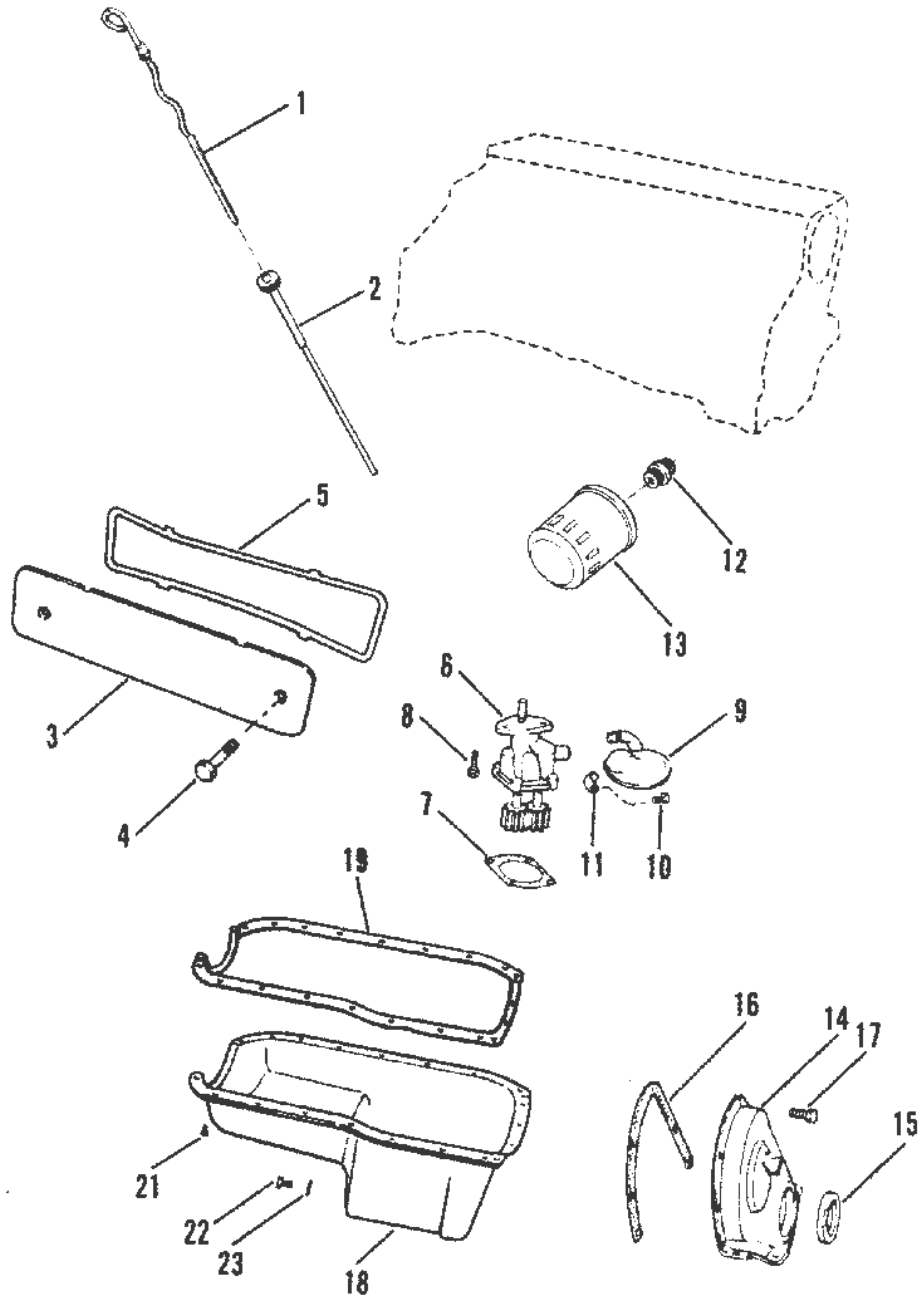
## CRANKSHAFT, CAMSHAFT, WATER PUMP (120-2.5L/153 CID)

| Ref # | Part Class | Part Number | Description  | Comments     | Qty | Note |
|-------|------------|-------------|--|--------------|-----|------|
| 25    | 0220       | 8775        | FLYWHEEL CRANKSHAFT  |              | 1   |      |
| 26    | 0016       | 98532A1     | STUD FLYWHEEL TO ENGINE COUPLING                             | EARLY MODELS | 6   |      |
| 27    | 0000       | 76850A2     | COUPLING ASSEMBLY  | EARLY MODELS | 1   |      |
| 28    | 0012       | 35935       | WASHER (.435 x .875 x .105)<br>Stainless Steel FLYWHEEL STUD | EARLY MODELS | 6   |      |
| 29    | 0011       | 98533       | NUT (.437-20) FLYWHEEL STUD                                  | EARLY MODELS | 6   |      |
| 30    | 0000       | 12632A3     | COUPLING ASSEMBLY Engine                                     | LATER MODELS | 1   |      |
| 31    | 0000       | 26901       | BUMPER   | LATER MODELS | 3   |      |
| 32    | 0010       | 14883       | SCREW (.375-16 x 1.12)<br>COUPLING                           | LATER MODELS | 3   |      |
| 33    | 0012       | 13510       | WASHER COUPLING SCREW  | LATER MODELS | 3   |      |
| 34    | 0010       | 49845       | SCREW (.437-20 x 1.00)<br>FLYWHEEL                           | LATER MODELS | 6   |      |
| 35    | 0013       | 39131       | LOCKWASHER (.437) FLYWHEEL SCREW                             | LATER MODELS | 6   |      |

**PART NOTES:**

- [1] - Alternate part numbers:  
65142A 1QS  
880817R04Reman
- [2] - COMPONENT OF 34273A88 GASKET SET, ENGINE OVERHAUL 120-2.5L-153 CID

# OIL PAN AND OIL PUMP (120-2.5L/153 CID)



39335

## OIL PAN AND OIL PUMP (120-2.5L/153 CID)

| Ref # | Part Class | Part Number | Description                                 | Comments      | Qty | Note |
|-------|------------|-------------|---|---------------|-----|------|
| 1     | 0000       | 45490       | GAUGE OIL LEVER (DIPSTICK)                  |               | 1   |      |
| 2     | 0000       | 87717A2     | TUBE Dipstick - OIL LEVER<br>GAUGE          |               | 1   |      |
| 3     | 0000       | 39332A1     | COVER ASSEMBLY PUSH ROD                     | CAST COVER    | 1   |      |
| 4     | 0010       | 39783       | SCREW PUSH ROD COVER                        | CAST COVER    | 4   |      |
| 5     | 0027       | 34208       | GASKET PUSH ROD COVER                       | CAST COVER    | 1   | [1]  |
| 3     | 0000       | 814702      | COVER PUSH ROD                              | STAMPED COVER | 1   |      |
| 4     | 0010       | 34470       | SCREW With Sealing Washer<br>PUSH ROD COVER | STAMPED COVER | 4   |      |
| 5     | 0027       | 814703      | GASKET PUSH ROD COVER                       | STAMPED COVER | 1   |      |
| 6     | 0000       | 36405       | PUMP ASSEMBLY Oil                           |               | 1   |      |
| 7     | 0027       | 34460       | GASKET OIL PUMP COVER                       |               | 1   |      |
| 8     | 0010       | 35339       | SCREW (.312-18 x .750)                      |               | 2   |      |
| 9     | 0000       | 52146       | SCREEN OIL PUMP                             |               | 1   |      |
| 10    | 0010       | 35366       | SCREW                                       |               | 1   |      |
| 11    | 0000       | 60717       | SUPPORT OIL PUMP                            |               | 1   |      |
| 12    | 0000       | 32720       | CONNECTOR OIL FILTER TO<br>CYLINDER BLOCK   |               | 1   |      |
| 13    | 0000       | 14957       | FILTER Oil                                  |               | 1   | [2]  |
| 14    | 0000       | 59341       | COVER ASSEMBLY CRANKCASE                    |               | 1   |      |
| 15    | 0026       | 97335       | SEAL Oil - CRANKCASE COVER                  |               | 1   | [1]  |
| 16    | 0027       | 49953       | GASKET CRANKCASE COVER                      |               | 1   | [1]  |
| 17    | 0010       | 35366       | SCREW                                       |               | 8   |      |
| 18    | 0000       | 52583A1     | PAN ASSEMBLY Oil                            |               | 1   |      |
| 19    | 0027       | 14901A1     | GASKET SET OIL PAN                          |               | 1   | [1]  |
| 21    | 0010       | 34500       | SCREW (.312-18 x .625)                      |               | 18  |      |
| 22    | 0010       | 49956       | SCREW Drain OIL PAN                         |               | 1   |      |
| 23    | 0027       | 49955       | GASKET OIL PAN DRAIN SCREW                  |               | 1   | [1]  |

**PART NOTES:**

- [1] - COMPONENT OF 34273A88 GASKET SET, ENGINE OVERHAUL 120-2.5L-153 CID  
 [2] - Alternate part numbers:

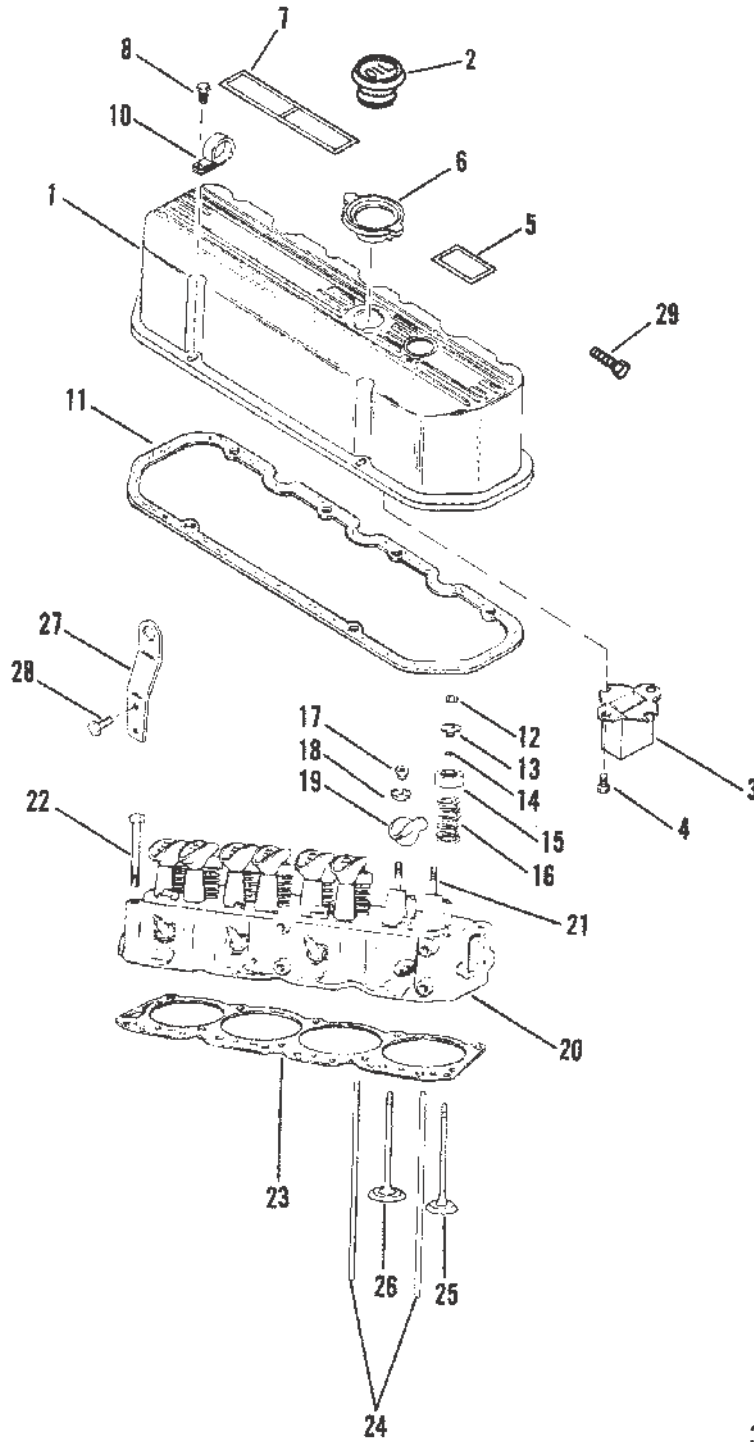
14957Service Part

802885QQS

802885TMPP



# CYLINDER HEAD AND ROCKER COVER (140-3.0L/181 CID)



39332

## CYLINDER HEAD AND ROCKER COVER (140-3.0L/181 CID)

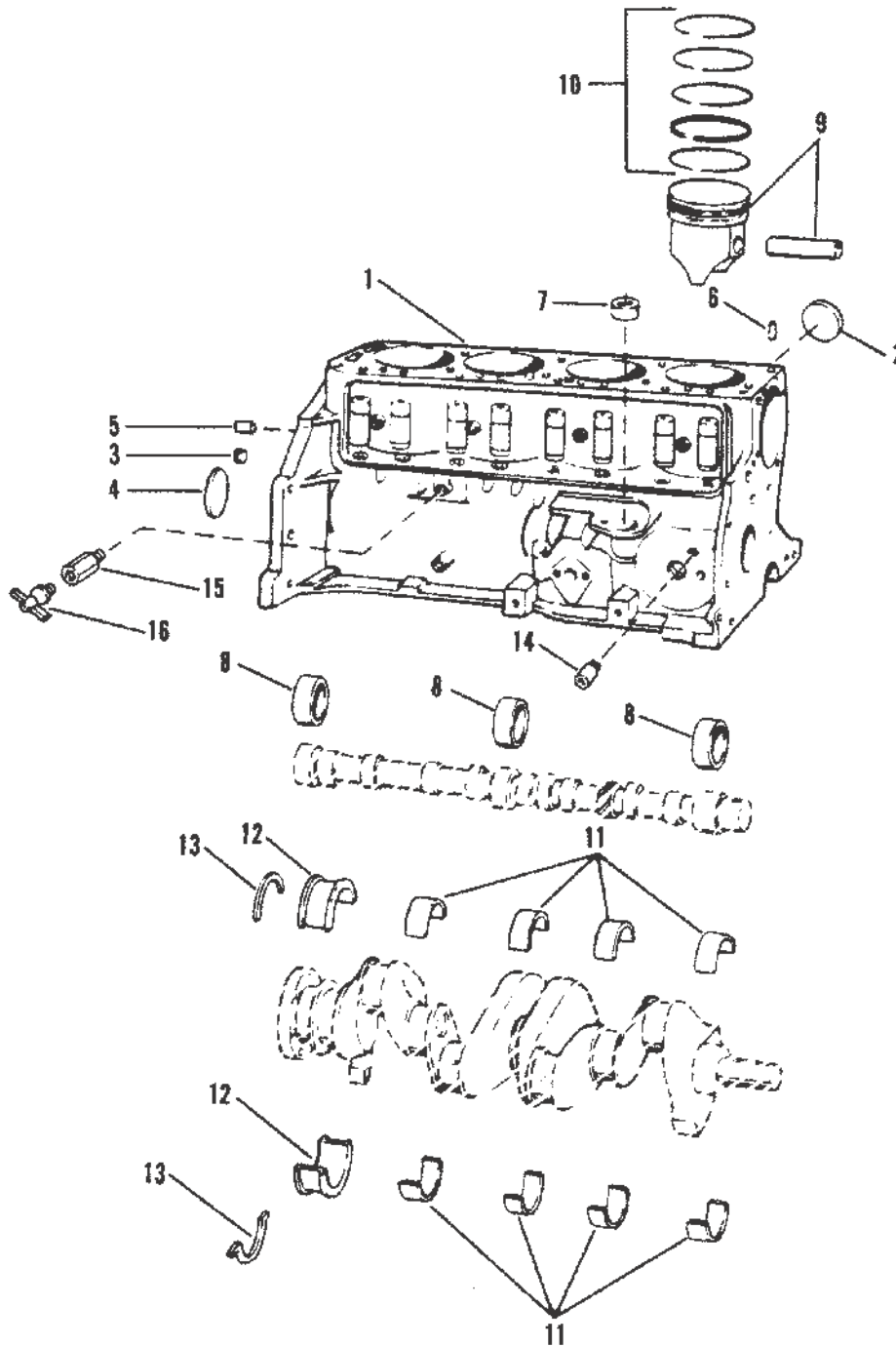
## CYLINDER HEAD AND ROCKER COVER (140-3.0L/181 CID)

| Ref # | Part Class | Part Number | Description                                  | Comments         | Qty | Note |
|-------|------------|-------------|--|------------------|-----|------|
| 1     | 0000       | 65635A8     | COVER ROCKER                                 |                  | 1   |      |
| 2     | 0036       | 75336       | CAP Filler                                   |                  | 1   |      |
| 3     | 0000       | 57638T      | BAFFLE ROCKER COVER                          | OLD DESIGN       | 1   |      |
| 4     | 0010       | 62568       | SCREW (#10-16 x .375) BAFFLE TO ROCKER COVER | OLD DESIGN       | 4   |      |
| 5     | 0037       | 77253       | DECAL WAVES                                  | OLD DESIGN       | 1   |      |
| 6     | 0000       | 49288       | CAP ASSEMBLY Oil Filler                      | OLD DESIGN       | 1   |      |
| 7     | 0037       | 77247       | DECAL ROCKER COVER                           | (140)            | 1   |      |
| 7     | 0037       | 121152      | DECAL ROCKER COVER                           | (140 ALPHA ONE)  | 1   |      |
| 7     | 0037       | 121153      | DECAL ROCKER COVER                           | (3.0L)           | 1   |      |
| 8     | 0010       | 65746       | SCREW (.250-20 x .750)                       |                  | 5   |      |
| 10    | 0054       | 97224       | J CLIP INLET HOSE - ROCKER COVER SCREW       |                  | 3   |      |
| 11    | 0027       | 52145       | GASKET ROCKER COVER TO CYLINDER HEAD         |                  | 1   | [1]  |
| 12    | 0028       | 54797       | KEY VALVE STEM (2 PER VALVE)                 |                  | 16  |      |
| 13    | 0000       | 34515       | CAP VALVE STEM                               |                  | 8   |      |
| 14    | 0026       | 34217       | SEAL VALVE SPRING CAP                        |                  | 8   | [1]  |
| 15    | 0000       | 34518       | SHIELD VALVE SPRING CAP                      |                  | 8   |      |
| 16    | 0024       | 35214       | SPRING VALVE                                 |                  | 8   |      |
| 17    | 0011       | 34516       | NUT ROCKER VALVE ARM STUD                    |                  | 8   |      |
| 18    | 0000       | 59340       | BALL Rocker Arm ROCKER VALVE ARM STUD        |                  | 8   |      |
| 19    | 0000       | 34519       | ARM KIT ROCKER VALVE                         |                  | 8   |      |
| 20    | 0936       | 5544        | CYLINDER HEAD ASSEMBLY                       |                  | 1   |      |
| 21    | 0016       | 34521       | STUD VALVE ROCKER ARM                        | (.013 O.S.)      | AR  |      |
| 21    | 0016       | 34522       | STUD VALVE ROCKER ARM                        | (.003 O.S.)      | AR  |      |
| 22    | 0010       | 34510       | BOLT CYLINDER HEAD TO CYLINDER BLOCK         |                  | 10  |      |
| 23    | 0027       | 52364       | GASKET CYLINDER HEAD                         |                  | 1   | [1]  |
| 24    | 0000       | 34532       | PUSH ROD                                     |                  | 8   |      |
| 25    | 0000       | 52367       | VALVE EXHAUST                                | (STANDARD STEM)  | 4   |      |
| 25    | 0000       | 52368       | VALVE EXHAUST                                | (.015 O.S. STEM) | AR  |      |
| 26    | 0000       | 97661       | VALVE Intake-Standard INLET                  | (STANDARD STEM)  | 4   |      |
| 26    | 0000       | 97662       | VALVE INLET                                  | (.015 O.S. STEM) | AR  |      |
| 27    | 0000       | 67850       | LIFTING EYE CYLINDER HEAD                    |                  | 1   |      |
| 28    | 0010       | 54528       | SCREW LIFTING EYE ATTACHING                  |                  | 2   |      |
| 29    | 0010       | 96430       | SHOULDER SCREW CABLE ATTACHING               |                  | 1   |      |

## PART NOTES:

[1] - COMPONENT OF 52364A88 GASKET SET, ENGINE OVERHAUL 140-3.0L-181 CID

# CYLINDER BLOCK, PISTON AND BEARINGS (140-3.0L/181 CID)



39333

## CYLINDER BLOCK, PISTON AND BEARINGS (140-3.0L/181 CID)

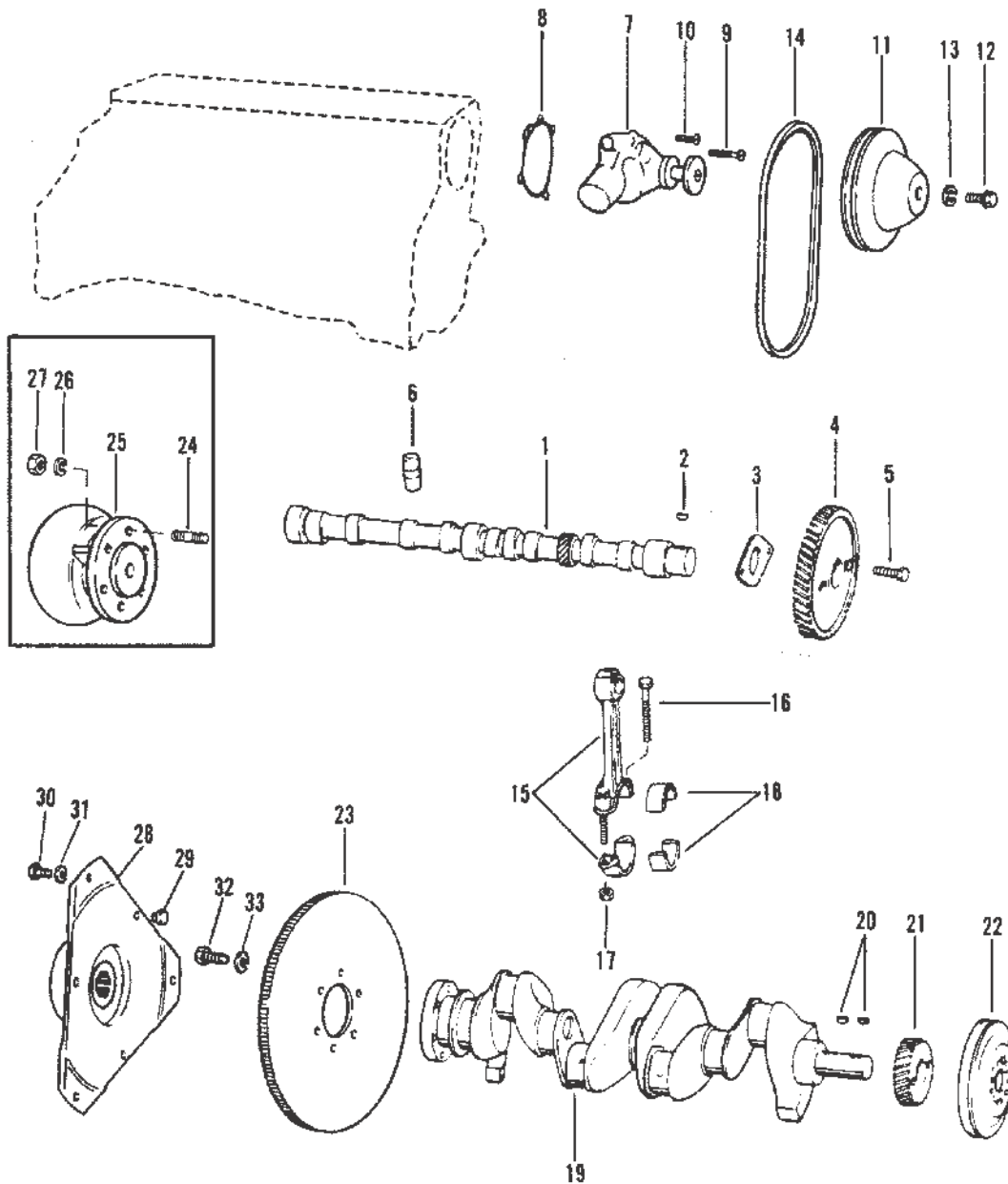
| Ref # | Part Class | Part Number | Description                                      | Comments   | Qty | Note |
|-------|------------|-------------|--|--|-----|------|
| 1     | 0839       | 3814        | CYLINDER BLOCK ASSEMBLY                          | INCLUDES ONLY STANDARD PISTONS, PISTON RINGS, CRANKSHAFT BEARINGS AND CAMSHAFT BEARINGS. | 1   |      |
| 2     | 0019       | 34270       | EXPANSION PLUG (1.625) CYLINDER BLOCK            |  | 2   |      |
| 2     | 0019       | 34271       | EXPANSION PLUG (2.00) CYLINDER BLOCK             |  | 1   |      |
| 3     | 0019       | 37531       | PLUG OIL CHANNEL - CYLINDER BLOCK                |  | 1   |      |
| 4     | 0019       | 34488       | PLUG EXPANSION - CAMSHAFT BEARING HOLE           |  | 1   |      |
| 5     | 0019       | 34487       | PLUG (.375-18 x .42) PIPE - CYLINDER BLOCK       |  | 2   |      |
| 6     | 0017       | 35465       | PIN Dowel (.312) CYLINDER BLOCK TO CYLINDER HEAD |  | 2   |      |
| 7     | 0023       | 35168       | BEARING DISTRIBUTOR PILOT SHAFT                  |  | 1   |      |
| 8     | 0023       | 43293       | BEARING SET CAMSHAFT                             |  | 1   |      |
| 9     | 0733       | 3819        | PISTON ASSEMBLY                                  | (STD.)   | 4   |      |
| 9     | 0733       | 3818        | PISTON ASSEMBLY                                  | (.020 O.S.)  | AR  |      |
| 10    | 0039       | 65153       | RING Piston                                      | (STD.)   | 4   |      |
| 10    | 0039       | 66217       | RING Piston                                      | (.020 O.S.)  | AR  |      |
| 11    | 0023       | 85675       | BEARING CRANKSHAFT MAIN                          | (STANDARD)   | 4   |      |
| 11    | 0023       | 85676       | BEARING CRANKSHAFT MAIN                          | (.001 Undersize)   | AR  |      |
| 11    | 0023       | 85713       | BEARING CRANKSHAFT MAIN                          | (.010 Undersize)   | AR  |      |
| 11    | 0023       | 85714       | BEARING CRANKSHAFT MAIN                          | (.020 Undersize)   | AR  |      |
| 12    | 0023       | 85715       | BEARING CRANKSHAFT MAIN                          | REAR (STANDARD)  | 1   |      |
| 12    | 0023       | 85670       | BEARING CRANKSHAFT MAIN                          | REAR (.001 Undersize)  | AR  |      |
| 12    | 0023       | 85718       | BEARING CRANKSHAFT MAIN                          | REAR (.010 Undersize)  | AR  |      |
| 12    | 0023       | 85719       | BEARING CRANKSHAFT MAIN                          | REAR (.020 Undersize)  | AR  |      |
| 13    | 0026       | 814622      | SEAL Oil CRANKSHAFT REAR BEARING                 |  | 1   | [1]  |
| 14    | 0000       | 34543       | VALVE BY PASS - OIL FILTER                       |  | 1   |      |
| 15    | 0022       | 64425       | FITTING EXTENSION - CYLINDER BLOCK               |  | OPT |      |
| 16    | 0022       | 16951A1     | COCK ASSEMBLY DRAIN - CYLINDER BLOCK             |  | 1   |      |
| -     | 0000       | 87959A1     | PARTIAL ENGINE (140-3.0L)                        | INCLUDES INTERNAL PARTS AND CYLINDER HEADS   | 1   |      |
| -     | 0027       | 52364A88    | GASKET SET ENGINE OVERHAUL                       |  | 1   |      |
| -     | 0092       | 916011      | SEALER Red RTV                                   |  | 1   |      |
| -     | 0092       | 342271      | SEALING COMPOUND (16 Ounce)                      |  | 1   |      |

## PART NOTES:

[1] - COMPONENT OF 52364A88 GASKET SET, ENGINE OVERHAUL 140-3.0L-181 CID

## CYLINDER BLOCK, PISTON AND BEARINGS (140-3.0L/181 CID)

# CRANKSHAFT, CAMSHAFT, WATER PUMP (140-3.0L/181 CID)



39336

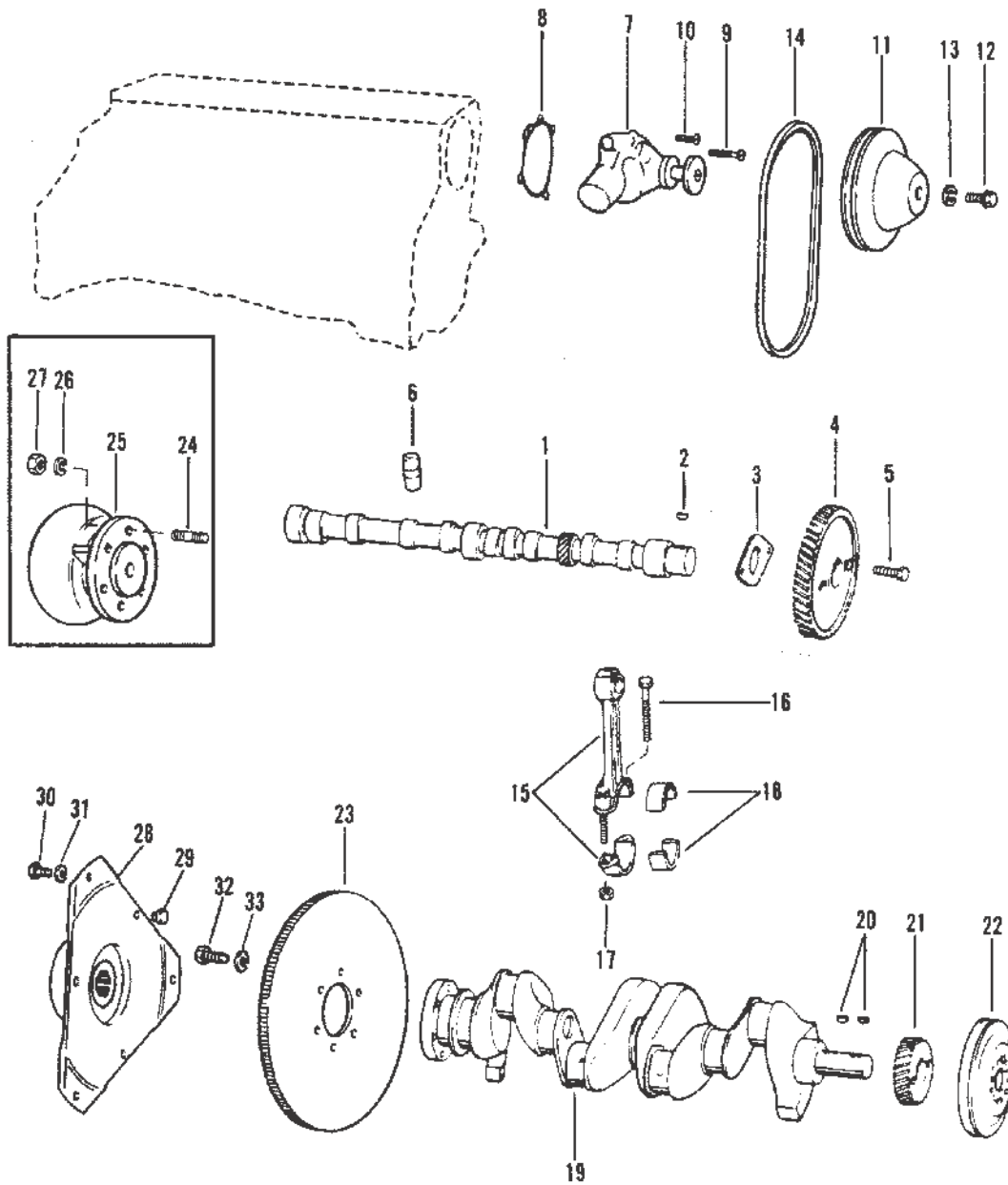
CRANKSHAFT, CAMSHAFT, WATER PUMP (140-3.0L/181 CID)

## CRANKSHAFT, CAMSHAFT, WATER PUMP (140-3.0L/181 CID)

| Ref # | Part Class | Part Number | Description   | Comments               | Qty | Note |
|-------|------------|-------------|---|------------------------|-----|------|
| 1     | 0424       | 3864        | CAMSHAFT  |                        | 1   |      |
| 2     | 0028       | 34466       | KEY CAMSHAFT GEAR LOCATING                                |                        | 1   |      |
| 3     | 0023       | 34469       | BEARING Plate - CAMSHAFT THRUST                           |                        | 1   |      |
| 4     | 0043       | 58283       | GEAR TIMING - CAMSHAFT                                    |                        | 1   |      |
| 5     | 0010       | 35366       | SCREW TIMING GEAR TO CAMSHAFT                             |                        | 2   |      |
| 6     | 0000       | 72638       | LIFTER HYDRAULIC - TAPPET                                 |                        | 8   |      |
| 7     | 0000       | 65142A1     | PUMP ASSEMBLY Water (SPECIAL MARINE)                      |                        | 1   | [1]  |
| 8     | 0027       | 33956       | GASKET WATER PUMP   |                        | 1   | [2]  |
| 9     | 0010       | 34471       | SCREW (.312-18 x 1.500)                                   |                        | 2   |      |
| 11    | 0000       | 52349       | PULLEY WATER PUMP   | WITHOUT POWER STEERING | 1   |      |
| 11    | 0000       | 73483T      | PULLEY WATER PUMP (3 GROOVE)                              | WITH POWER STEERING    | 1   |      |
| 12    | 0010       | 47277       | SCREW (.312-24 x .750) PULLEY TO WATER PUMP               |                        | 4   |      |
| 13    | 0013       | 39107       | LOCKWASHER (.312-24) PULLEY SCREW                         |                        | 4   |      |
| 14    | 0057       | 64032A1     | V BELT ALTERNATOR AND WATER PUMP                          | WITHOUT POWER STEERING | 1   |      |
| 14    | 0057       | 69143T      | V BELT ALTERNATOR AND WATER PUMP                          | WITH POWER STEERING    | 1   |      |
| 15    | 0613       | 3817        | CONNECTING ROD ASSEMBLY CONNECTING ROD BEARING CAP        |                        | 8   |      |
| 17    | 0011       | 37493       | NUT (.375-24) CONNECTING ROD CAP BOLT                     |                        | 8   |      |
| 18    | 0023       | 85701       | BEARING (PAIR), CONNECTING ROD                            | (STANDARD)             | 4   |      |
| 18    | 0023       | 85702       | BEARING (PAIR), CONNECTING ROD                            | (.001 Undersize)       | AR  |      |
| 18    | 0023       | 85703       | BEARING (PAIR), CONNECTING ROD                            | (.002 Undersize)       | AR  |      |
| 18    | 0023       | 85704       | BEARING (PAIR), CONNECTING ROD                            | (.010 Undersize)       | AR  |      |
| 18    | 0023       | 85705       | BEARING (PAIR), CONNECTING ROD                            | (.020 Undersize)       | AR  |      |
| 19    | 0423       | 3816        | CRANKSHAFT  |                        | 1   |      |
| 20    | 0028       | 34466       | KEY PULLEY AND GEAR LOCATING                              |                        | 2   |      |
| 21    | 0043       | 46743       | TIMING GEAR CRANKSHAFT                                    |                        | 1   |      |
| 22    | 0000       | 55045       | BALANCER HARMONIC   |                        | 1   |      |
| 23    | 0220       | 8775        | FLYWHEEL CRANKSHAFT                                       |                        | 1   |      |
| 24    | 0016       | 98532A1     | STUD FLYWHEEL TO ENGINE COUPLING                          | EARLY MODELS           | 6   |      |
| 25    | 0000       | 76850A2     | COUPLING ASSEMBLY   | EARLY MODELS           | 1   |      |
| 26    | 0012       | 35935       | WASHER (.435 x .875 x .105) Stainless Steel FLYWHEEL STUD | EARLY MODELS           | 6   |      |
| 27    | 0011       | 98533       | NUT (.437-20) FLYWHEEL STUD                               | EARLY MODELS           | 6   |      |
| 28    | 0000       | 12632A3     | COUPLING ASSEMBLY Engine                                  | LATER MODELS           | 1   |      |

## CRANKSHAFT, CAMSHAFT, WATER PUMP (140-3.0L/181 CID)

# CRANKSHAFT, CAMSHAFT, WATER PUMP (140-3.0L/181 CID)



39336

# CRANKSHAFT, CAMSHAFT, WATER PUMP (140-3.0L/181 CID)

## CRANKSHAFT, CAMSHAFT, WATER PUMP (140-3.0L/181 CID)

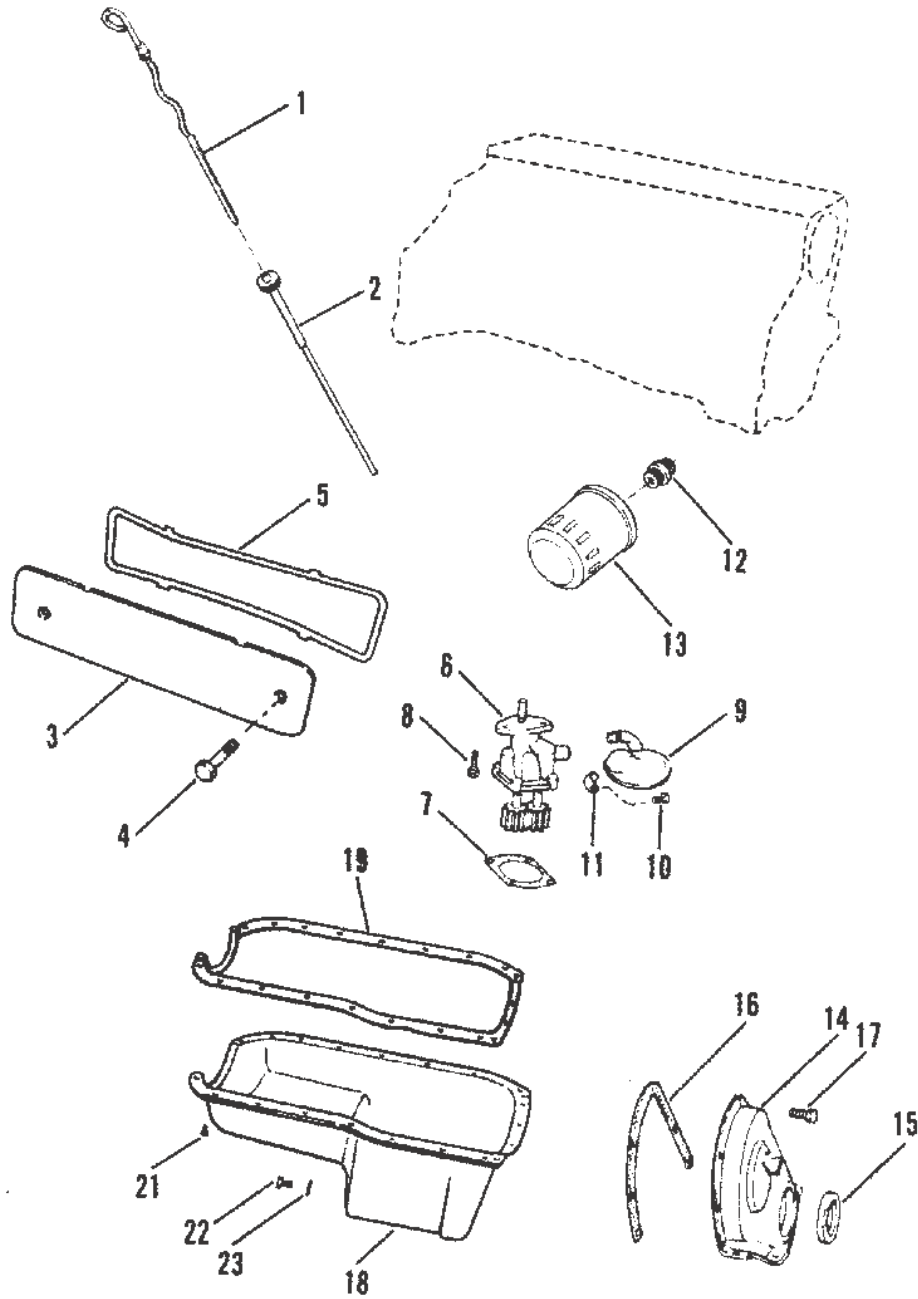
| Ref # | Part Class | Part Number | Description                         | Comments     | Qty | Note |
|-------|------------|-------------|-------------------------------------|--------------|-----|------|
| 29    | 0000       | 26901       | BUMPER                              | LATER MODELS | 3   |      |
| 30    | 0010       | 14883       | SCREW (.375-16 x 1.12)<br>COUPLING  | LATER MODELS | 3   |      |
| 31    | 0012       | 13510       | WASHER COUPLING SCREW               | LATER MODELS | 3   |      |
| 32    | 0010       | 49845       | SCREW (.437-20 x 1.00)<br>FLYWHEEL  | LATER MODELS | 6   |      |
| 33    | 0013       | 39131       | LOCKWASHER (.437) FLYWHEEL<br>SCREW | LATER MODELS | 6   |      |
| -     | 0027       | 52364A88    | GASKET SET ENGINE<br>OVERHAUL       |              | 1   |      |

**PART NOTES:**

- [1] - Alternate part numbers:  
65142A 1QS  
880817R04Reman
- [2] - COMPONENT OF 52364A88 GASKET SET, ENGINE OVERHAUL 140-3.0L-181 CID



# OIL PAN AND OIL PUMP (140-3.0L/181 CID)



39335

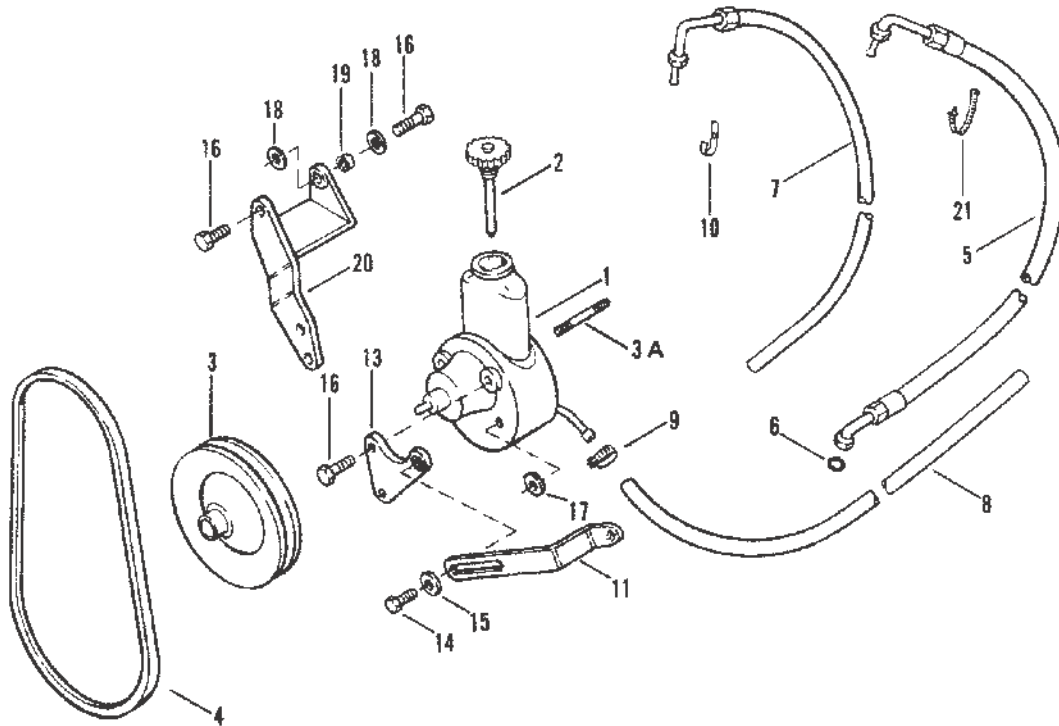
## OIL PAN AND OIL PUMP (140-3.0L/181 CID)

| Ref # | Part Class | Part Number | Description                              | Comments      | Qty | Note |
|-------|------------|-------------|--|---------------|-----|------|
| 1     | 0000       | 45490       | GAUGE OIL LEVER (DIPSTICK)               |               | 1   |      |
| 1     | 0000       | 87717A2     | TUBE Dipstick - OIL LEVEL GAUGE          |               | 1   |      |
| 3     | 0000       | 39332A1     | COVER ASSEMBLY PUSH ROD                  | CAST COVER    | 1   |      |
| 4     | 0010       | 39783       | SCREW PUSH ROD TO CYLINDER BLOCK         | CAST COVER    | 4   |      |
| 5     | 0027       | 34208       | GASKET PUSH ROD COVER                    | CAST COVER    | 1   |      |
| 3     | 0000       | 814702      | COVER PUSH ROD                           | STAMPED COVER | 1   |      |
| 4     | 0010       | 34470       | SCREW With Sealing Washer PUSH ROD COVER | STAMPED COVER | 4   |      |
| 5     | 0027       | 814703      | GASKET PUSH ROD COVER                    | STAMPED COVER | 1   | [1]  |
| 6     | 0000       | 36405       | PUMP ASSEMBLY Oil                        |               | 1   |      |
| 7     | 0027       | 34460       | GASKET OIL PUMP COVER                    |               | 1   |      |
| 8     | 0010       | 35339       | SCREW (.312-18 x .750)                   |               | 2   |      |
| 9     | 0000       | 52146       | SCREEN OIL PUMP                          |               | 1   |      |
| 10    | 0010       | 35366       | SCREW OIL PUMP SCREEN SUPPORT CLAMPING   |               | 1   |      |
| 11    | 0000       | 60717       | SUPPORT OIL PUMP                         |               | 1   |      |
| 12    | 0000       | 32720       | CONNECTOR OIL FILTER TO CYLINDER BLOCK   |               | 1   |      |
| 13    | 0000       | 14957       | FILTER Oil                               |               | 1   | [2]  |
| 14    | 0000       | 59341       | COVER ASSEMBLY CRANKCASE                 |               | 1   |      |
| 15    | 0026       | 97335       | SEAL Oil - CRANKCASE COVER               |               | 1   | [1]  |
| 16    | 0027       | 49953       | GASKET CRANKCASE COVER                   |               | 1   | [1]  |
| 17    | 0010       | 35366       | SCREW COVER TO CYLINDER BLOCK            |               | 8   |      |
| 18    | 0000       | 52583A1     | PAN ASSEMBLY Oil                         |               | 1   |      |
| 19    | 0027       | 14901A1     | GASKET SET OIL PAN                       |               | 1   | [1]  |
| 21    | 0010       | 34500       | SCREW (.312-18 x .625)                   |               | 18  |      |
| 22    | 0010       | 49956       | SCREW Drain OIL PAN                      |               | 1   |      |
| 23    | 0027       | 49955       | GASKET OIL PAN DRAIN SCREW               |               | 1   | [1]  |
| -     | 0027       | 52364A88    | GASKET SET ENGINE OVERHAUL               |               | 1   |      |

## PART NOTES:

- [1] - COMPONENT OF 52364A88 GASKET SET, ENGINE OVERHAUL 140-3.0L-181 CID
- [2] - Alternate part numbers:
- 14957Service Part
- 802885QQS
- 802885TMPP

# POWER STEERING PUMP ASSEMBLY



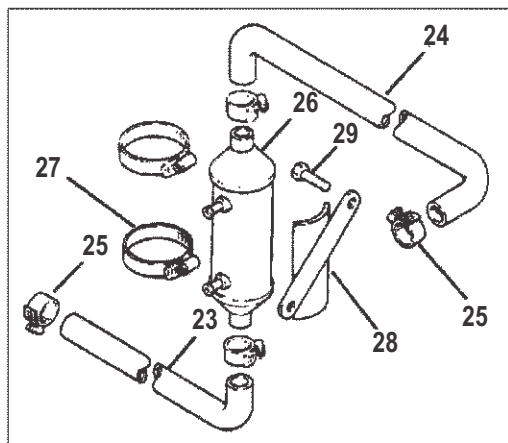
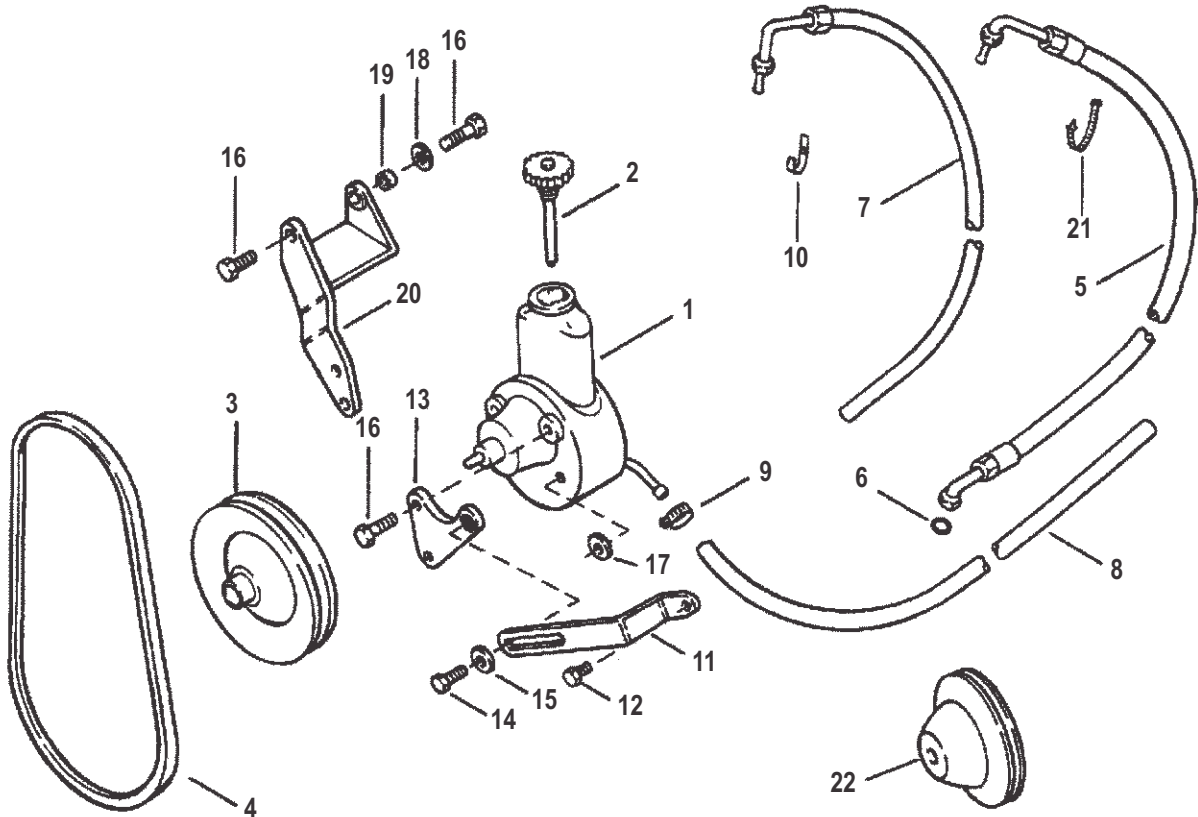
39337

## POWER STEERING PUMP ASSEMBLY

| Ref # | Part Class | Part Number | Description   | Comments | Qty | Note |
|-------|------------|-------------|---|----------|-----|------|
| 1     | 0000       | 90507A12    | PUMP ASSEMBLY Power-Assisted Steering                             |          | 1   |      |
| 2     | 0036       | 95805       | CAP POWER STEERING PUMP   |          | 1   |      |
| 3     | 0000       | 73873A1     | PULLEY POWER STEERING PUMP  |          | 1   |      |
| 3A    | 0016       | 41877       | STUD (M10) POWER STEERING PUMP                                    |          | 1   |      |
| 4     | 0057       | 65607T      | V BELT POWER STEERING PUMP  |          | 1   |      |
| 5     | 0032       | 96790       | HOSE PRESSURE (FITTINGS ON BOTH ENDS)                             |          | 1   |      |
| 6     | 0025       | 89879       | O-RING (.301 x .064) PRESSURE HOSE                                |          | 1   |      |
| 7     | 0032       | 9884339     | HOSE ASSEMBLY (72.00 Inches Bulk) RETURN (FITTINGS ON ONE END)    |          | 1   |      |
| 8     | 0032       | 5251914     | HOSE (53.00 Inches Bulk) PUMP TO OIL COOLER                       |          | 1   |      |
| 9     | 0054       | 35830       | CLAMP HOSE ATTACHING  |          | 3   |      |
| 10    | 0054       | 92850       | CLAMP POWER STEERING HOSES  |          | 1   |      |
| 11    | 0000       | 96772A1     | BRACE POWER STEERING PUMP   |          | 1   |      |
| 13    | 0000       | 96872A2     | BRACKET POWER STEERING PUMP                                       |          | 1   |      |
| 14    | 0010       | 76926       | SCREW (.375-16 x .875) BRACE TO BRACKET                           |          | 1   |      |
| 15    | 0012       | 34714       | WASHER BRACE SCREW  |          | 1   |      |
| 16    | 0010       | 40001192    | SCREW (M10 x 25) POWER STEERING PUMP                              |          | 3   |      |
| 16    | 0010       | 40001195    | SCREW (M10 x 30) POWER STEERING PUMP                              |          | 1   |      |
| 17    | 0023       | 90520       | SPACER PUMP MOUNTING SCREWS                                       |          | 2   |      |
| 18    | 0023       | 72057       | SPACER (1.00 Outside Diameter x .125 x Thick) PUMP MOUNTING SCREW |          | 2   |      |
| 19    | 0023       | 96818       | BUSHING   |          | 1   |      |
| 20    | 0000       | 65606T      | BRACKET MOUNTING  |          | 1   |      |
| 21    | 0000       | 77054       | TIE STRAP (14.50 Inches) POWER STEERING HOSES                     |          | 1   |      |

POWER STEERING PUMP ASSEMBLY

# Power Steering Pump and Cooler Kit (71333A5)

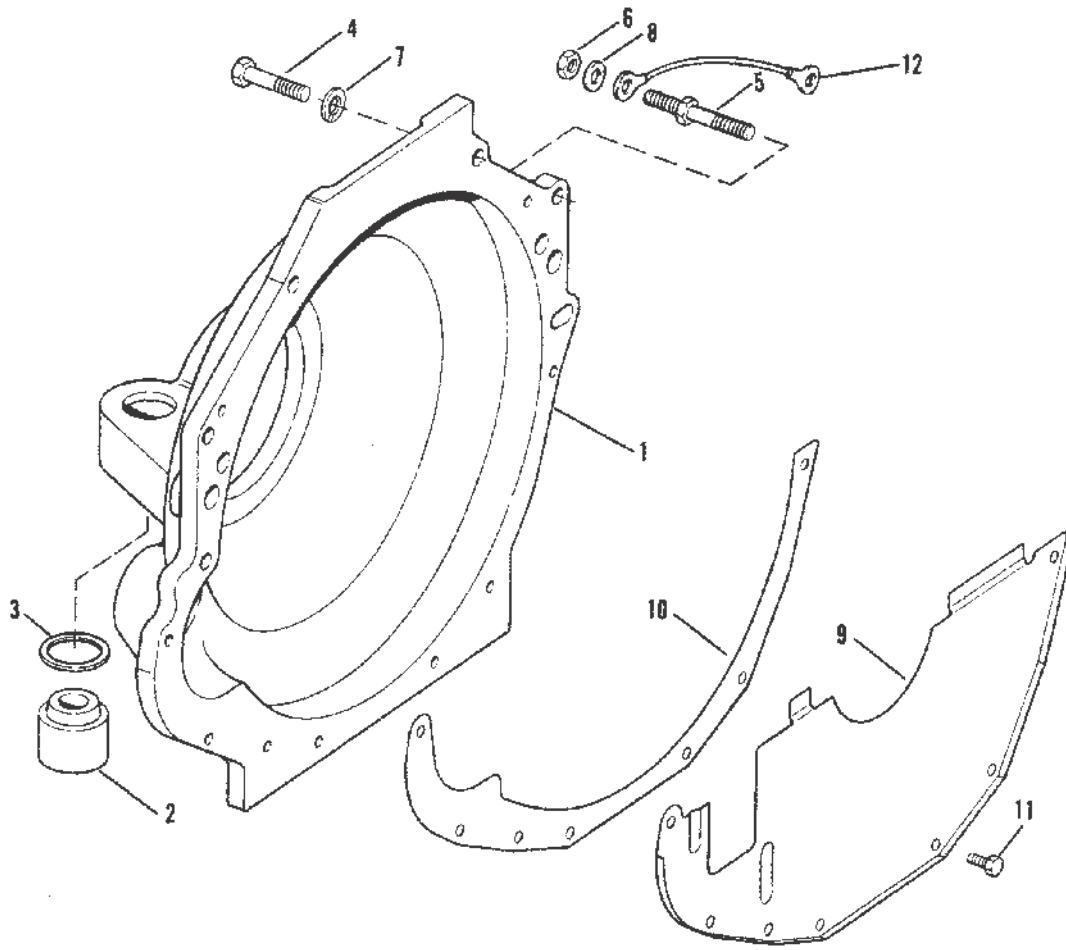


17412

## Power Steering Pump and Cooler Kit (71333A5)

| Ref # | Part Class | Part Number | Description                                   | Comments | Qty | Note |
|-------|------------|-------------|---|----------|-----|------|
| -     | 0000       | 71333A5     | POWER STEERING PUMP AND COOLER KIT            |          | 1   |      |
| 1     | 0000       | 90507A12    | PUMP ASSEMBLY Power-Assisted Steering         |          | 1   |      |
| 2     | 0036       | 95805       | CAP   |          | 1   |      |
| 3     | 0000       | 73873A1     | PULLEY (Black)                                |          | 1   |      |
| 4     | 0057       | 65607T      | V BELT (37 Inches)                            |          | 1   |      |
| 4     | 0057       | 69143T      | V BELT (40 Inches)                            |          | 1   |      |
| 5     | 0032       | 96790       | HOSE (Fitting On Both Ends)                   |          | 1   |      |
| 6     | 0025       | 89879       | O-RING (.301 x .064)                          |          | 1   |      |
| 7     | 0032       | 9884339     | HOSE ASSEMBLY (72.00 Inches Bulk)             |          | 1   |      |
| 8     | 0032       | 5251914     | HOSE (53.00 Inches Bulk)                      |          | 1   |      |
| 9     | 0054       | 815504206   | CLAMP Worm Gear                               |          | 3   |      |
| 10    | 0054       | 63300       | CLAMP   |          | 1   |      |
| 11    | 0000       | 96772A1     | BRACE   |          | 1   |      |
| 12    | 0010       | 37612       | SCREW (.375-16 x 1.250)                       |          | 1   |      |
| 13    | 0000       | 96872A2     | BRACKET                                       |          | 1   |      |
| 14    | 0010       | 76926       | SCREW (.375-16 x .875)                        |          | 1   |      |
| 15    | 0012       | 34714       | WASHER  |          | 1   |      |
| 16    | 0010       | 40001192    | SCREW (M10 x 25)                              |          | 3   |      |
| 16    | 0010       | 40001195    | SCREW (M10 x 30)                              |          | 1   |      |
| 17    | 0023       | 90520       | SPACER  |          | 2   |      |
| 18    | 0023       | 72057       | SPACER (1.00 Outside Diameter x .125 x Thick) |          | 1   |      |
| 19    | 0023       | 96818       | BUSHING                                       |          | 1   |      |
| 20    | 0000       | 65606T      | BRACKET                                       |          | 1   |      |
| 21    | 0000       | 77054       | TIE STRAP (14.50 Inches)                      |          | 1   |      |
| 22    | 0000       | 73483T      | PULLEY  |          | 1   |      |
| 23    | 0032       | 96911       | HOSE (.625 Inside Diameter)                   |          | 1   |      |
| 23    | 0032       | 42851       | HOSE (.750 Inside Diameter)                   |          | 1   |      |
| 24    | 0032       | 96764       | HOSE (.625 Inside Diameter)                   |          | 1   |      |
| 24    | 0032       | 44107       | HOSE (.750 Inside Diameter)                   |          | 1   |      |
| 25    | 0054       | 815504412   | CLAMP Worm Gear                               |          | 2   |      |
| 26    | 0000       | 96783A1     | COOLER Oil                                    |          | 1   |      |
| 27    | 0054       | 815504336   | CLAMP Worm Gear                               |          | 2   |      |
| 28    | 0000       | 96762A1     | BRACKET                                       |          | 1   |      |
| 29    | 0010       | 35386       | SCREW (.312-18 x 1.00)                        |          | 2   |      |

# FLYWHEEL HOUSING



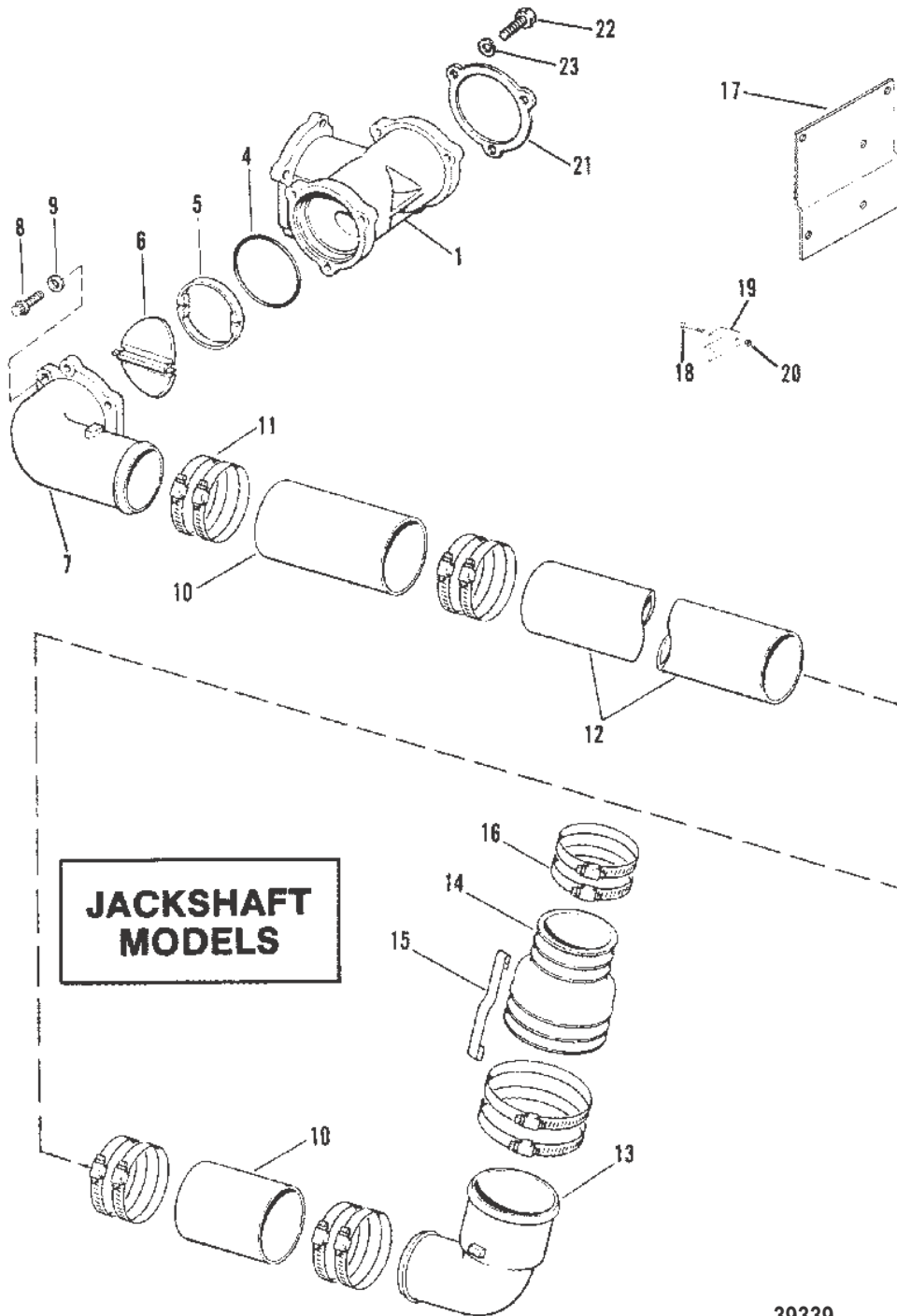
39338

## FLYWHEEL HOUSING

| Ref # | Part Class | Part Number | Description  | Comments     | Qty | Note |
|-------|------------|-------------|--|--------------|-----|------|
| 1     | 0000       | 12675A7     | HOUSING ASSEMBLY Flywheel  |              | 1   |      |
| 2     | 0000       | 99297A1     | MOUNT ASSEMBLY Rubber<br>FLYWHEEL HOUSING                              |              | 2   |      |
| 3     | 0023       | 99322       | SPACER RUBBER MOUNT -<br>FLYWHEEL HOUSING                              |              | 2   |      |
| 4     | 0010       | 37612       | SCREW (.375-16 x 1.250)<br>FLYWHEEL HOUSING ATTACHING                  |              | 3   |      |
| 4     | 0010       | 45754       | SCREW (.375-16 x 2) FLYWHEEL<br>HOUSING ATTACHING                      | (2&quot;)    | 2   |      |
| 5     | 0016       | 64066       | STUD (.375-16 x 2.750) Special   |              | 1   |      |
| 6     | 0011       | 32219       | NUT (.375-16) FLYWHEEL<br>HOUSING ATTACHING STUD                       |              | 2   |      |
| 7     | 0013       | 35048       | LOCKWASHER (.375) FLYWHEEL<br>HOUSING SCREW (3/8&quot;)                |              | 8   |      |
| 8     | 0012       | 20572       | WASHER (.390 x .750 x .093)  |              | 1   |      |
| 9     | 0000       | 13929A2     | COVER FLYWHEEL HOUSING   |              | 1   |      |
| 10    | 0027       | 96274       | GASKET FLYWHEEL HOUSING  |              | 1   |      |
| 11    | 0010       | 32773       | SCREW (.250-20 x .875) COVER<br>TO FLYWHEEL HOUSING                    | (SELF-TAP)   | 7   |      |
| 11    | 0010       | 28668       | SCREW (.250-20 x .875) Stainless<br>Steel COVER TO FLYWHEEL<br>HOUSING | (OLD DESIGN) | 7   |      |
| 12    | 0084       | 62826A6     | CABLE ASSEMBLY Ground (13.00<br>Inches) Black FLYWHEEL<br>HOUSING STUD |              | 1   |      |
| -     | 0027       | 52364A88    | GASKET SET ENGINE<br>OVERHAUL  |              | 1   |      |



# DRIVESHAFT EXTENSION COMPONENTS JACKSHAFT MODELS

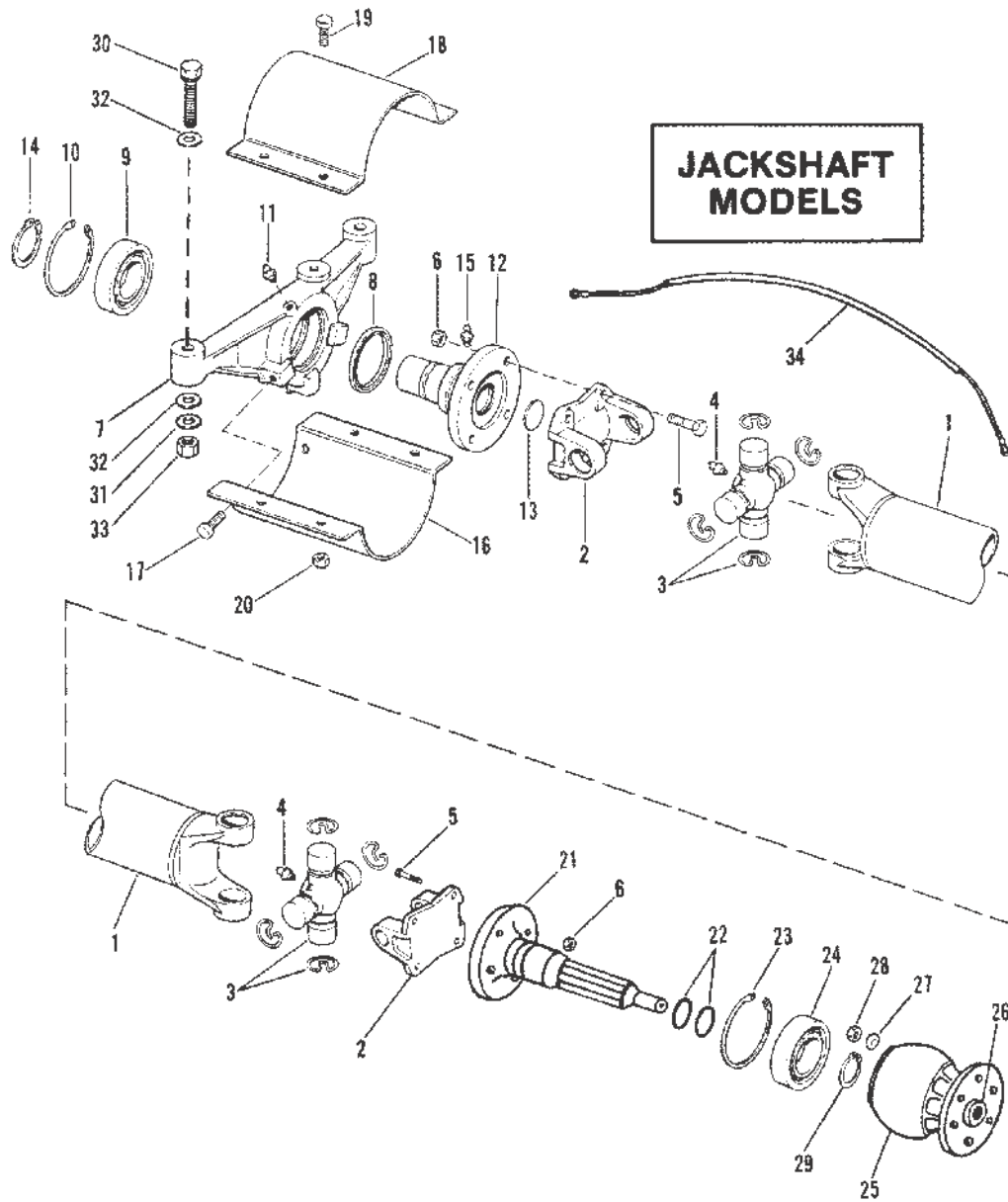


## DRIVESHAFT EXTENSION COMPONENTS JACKSHAFT MODELS

## DRIVESHAFT EXTENSION COMPONENTS JACKSHAFT MODELS

| Ref # | Part Class | Part Number | Description                                       | Comments | Qty | Note |
|-------|------------|-------------|---|----------|-----|------|
| 1     | 0000       | 98626A3     | SEPARATOR   |          | 1   |      |
| 4     | 0025       | 35029       | O-RING (78.97 X 3.53 MM)                          |          | 1   |      |
| 5     | 0000       | 60931       | RETAINER WATER SHUTTER                            |          | 1   |      |
| 6     | 0000       | 60930       | SHUTTER Water                                     |          | 1   |      |
| 7     | 0000       | 94018A1     | ELBOW ASSEMBLY Exhaust                            |          | 1   |      |
| 8     | 0010       | 58640       | SCREW (.375-16 x 1.25) EXHAUST ELBOW TO SEPARATOR |          | 3   |      |
| 9     | 0013       | 58643       | LOCKWASHER (.375) EXHAUST ELBOW SCREW             |          | 3   |      |
| 10    | 0032       | 486594      | HOSE EXHAUST                                      |          | 2   |      |
| 11    | 0054       | 33683       | CLAMP EXHAUST HOSE                                |          | 10  |      |
| 12    | 0000       | 94608A1     | TUBE ASSEMBLY Exhaust                             |          | 1   |      |
| 13    | 0000       | 41191A1     | ELBOW ASSEMBLY Exhaust                            |          | 1   |      |
| 14    | 0000       | 70981A3     | BELLOWS ASSEMBLY                                  |          | 1   |      |
| 15    | 0000       | 95740       | STRAP Ground EXHAUST BELLOWS                      |          | 1   |      |
| 16    | 0054       | 31765       | CLAMP EXHAUST BELLOWS                             |          | 2   |      |
| 17    | 0000       | 41063A1     | BRACKET ASSEMBLY MOUNTING                         |          | 1   |      |
| 18    | 0010       | 24231       | SCREW (#10-32 x .250) BRACKET                     |          | 1   |      |
| 19    | 0011       | 46438       | NUT (#10-32) BRACKET SCREW                        |          | 1   |      |
| 20    | 0086       | 45915       | TERMINAL BLOCK                                    |          | 1   |      |
| 21    | 0000       | 93925A1     | PLATE EXHAUST SEPARATOR                           |          | 1   |      |
| 22    | 0010       | 98794       | SCREW (.375-16 x 1.00) PLATE                      |          | 3   |      |
| 23    | 0013       | 58643       | LOCKWASHER (.375) PLATE SCREW                     |          | 3   |      |

# DRIVESHAFT EXTENSION COMPONENTS JACKSHAFT MODELS

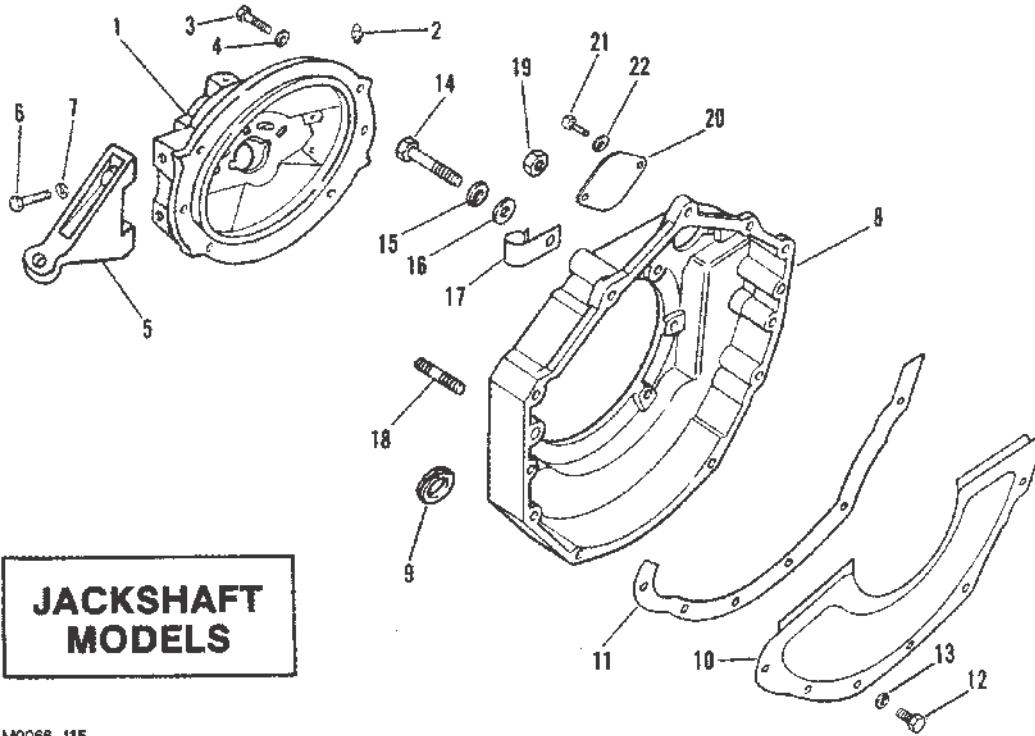


39340

## DRIVESHAFT EXTENSION COMPONENTS JACKSHAFT MODELS

| Ref # | Part Class | Part Number | Description                                       | Comments | Qty | Note |
|-------|------------|-------------|---|----------|-----|------|
| 1     | 0045       | 94819A3     | DRIVESHAFT ASSEMBLY                               |          | 1   |      |
| 2     | 0000       | 52504       | FLANGE DRIVESHAFT                                 |          | 2   |      |
| 3     | 0000       | 61221       | CROSS AND BEARING With Clips                      |          | 2   |      |
| 4     | 0022       | 74036       | FITTING Grease                                    |          | 2   |      |
| 5     | 0010       | 52498       | SCREW (.437-20 x 1.500)<br>DRIVESHAFT FLANGE      |          | 8   |      |
| 6     | 0011       | 34933       | NUT (.437-20) Stainless Steel<br>FLANGE SCREW     |          | 8   |      |
| 7     | 0000       | 42304A2     | SUPPORT ASSEMBLY                                  |          | 1   |      |
| 8     | 0026       | 93924       | SEAL  |          | 1   |      |
| 9     | 0030       | 93944A1     | BEARING   |          | 1   |      |
| 10    | 0053       | 93914       | RING Retaining BALL BEARING                       |          | 1   |      |
| 11    | 0022       | 74036       | FITTING Grease                                    |          | 1   |      |
| 12    | 0000       | 93908A1     | SHAFT ASSEMBLY INPUT                              |          | 1   |      |
| 13    | 0019       | 93921       | EXPANSION PLUG                                    |          | 1   |      |
| 14    | 0053       | 93915       | RING Retaining INPUT SHAFT                        |          | 1   |      |
| 15    | 0022       | 74036       | FITTING Grease                                    |          | 1   |      |
| 16    | 0000       | 93918A1     | SHIELD Lower                                      |          | 2   |      |
| 17    | 0010       | 76926       | SCREW (.375-16 x .875) LOWER<br>SHIELD TO SUPPORT |          | 6   |      |
| 18    | 0000       | 93919A1     | SHIELD Upper                                      |          | 2   |      |
| 19    | 0010       | 96995       | SCREW (.375-16 x .880) UPPER<br>AND LOWER SHIELD  |          | 8   |      |
| 20    | 0011       | 99405       | NUT SHIELD SCREW                                  |          | 8   |      |
| 21    | 0000       | 93906A2     | SHAFT OUTPUT                                      |          | 1   |      |
| 22    | 0025       | 25439       | O-RING (.862 x .103)                              |          | 2   |      |
| 23    | 0053       | 94104       | RING Retaining BALL BEARING,<br>INTERNAL          |          | 1   |      |
| 24    | 0030       | 62780A1     | BEARING Ball                                      |          | 1   |      |
| 25    | 0000       | 49736A3     | COUPLING ASSEMBLY                                 |          | 1   |      |
| 26    | 0023       | 95966       | BUSHING COUPLING                                  |          | 1   |      |
| 27    | 0012       | 34567       | WASHER HOUSING SCREW                              |          | 6   |      |
| 28    | 0011       | 98533       | NUT (.437-20) HOUSING SCREW                       |          | 6   |      |
| 29    | 0053       | 94103       | RING EXTERNAL                                     |          | 1   |      |
| 30    | 0010       | 57053       | SCREW (.500-20 x 4.500)<br>BEARING SUPPORT        |          | 2   |      |
| 32    | 0012       | 42307       | WASHER BEARING SUPPORT<br>BOLT (SPHERICAL)        |          | 4   |      |
| 33    | 0011       | 28040       | NUT (.500-20) BEARING SUPPORT<br>BOLT             |          | 2   |      |
| 34    | 0084       | 41575A1     | HARNES ASSEMBLY SHIFT AND<br>TRIM                 |          | 1   |      |

# DRIVESHAFT EXTENSION COMPONENTS JACKSHAFT MODELS



39341

## DRIVESHAFT EXTENSION COMPONENTS JACKSHAFT MODELS

| Ref # | Part Class | Part Number | Description   | Comments | Qty | Note |
|-------|------------|-------------|---|----------|-----|------|
| 1     | 0000       | 93911A4     | HOUSING ASSEMBLY Shaft Extension Support                      |          | 1   |      |
| 2     | 0022       | 74036       | FITTING Grease  |          | 1   |      |
| 3     | 0010       | 47651       | SCREW (.437-14 x 1.50) HOUSING                                |          | 6   |      |
| 4     | 0013       | 32993       | LOCKWASHER (.437) HOUSING SCREW                               |          | 6   |      |
| 5     | 0000       | 93923A1     | MOUNT ASSEMBLY ENGINE   |          | 2   |      |
| 6     | 0010       | 47651       | SCREW (.437-14 x 1.50) MOUNT                                  |          | 4   |      |
| 7     | 0013       | 32993       | LOCKWASHER (.437) MOUNT SCREW                                 |          | 4   |      |
| 8     | 0000       | 44187A1     | HOUSING FLYWHEEL  |          | 1   |      |
| 9     | 0019       | 12304       | PLUG  |          | 1   |      |
| 10    | 0000       | 93917A4     | COVER ASSEMBLY FLYWHEEL HOUSING                               |          | 1   |      |
| 11    | 0027       | 86015       | GASKET FLYWHEEL HOUSING COVER                                 |          | 1   |      |
| 12    | 0010       | 98253       | SCREW (.250-20 x .500)  |          | 7   |      |
| 13    | 0013       | 26992       | LOCKWASHER (.250) Stainless Steel COVER SCREW                 |          | 7   |      |
| 14    | 0010       | 34353       | SCREW (.375-16 x 1.00) FLYWHEEL HOUSING                       |          | 1   |      |
| 14    | 0010       | 47688       | SCREW (.375-16 x 2.750) LFLYWHEEL HOUSING                     |          | 2   |      |
| 15    | 0013       | 35048       | LOCKWASHER (.375) FLYWHEEL HOUSING SCREW ADN STUD             |          | 6   |      |
| 16    | 0012       | 20572       | WASHER (.390 x .750 x .093) FLYWHEEL HOUSING SCREW (FOR SLOT) |          | 1   |      |
| 17    | 0054       | 92850       | CLAMP FLYWHEEL HOUSING SCREW                                  |          | 1   |      |
| 18    | 0016       | 64066       | STUD (.375-16 x 2.750) Special FLYWHEEL HOUSING               |          | 1   |      |
| 19    | 0011       | 32219       | NUT (.375-16) FLYWHEEL HOUSING STUD                           |          | 1   |      |
| 20    | 0000       | 93920       | PLATE FLYWHEEL HOUSING  |          | 1   |      |
| 21    | 0010       | 33212       | SCREW PLATE   |          | 2   |      |
| 22    | 0013       | 32993       | LOCKWASHER (.437) PLATE SCREW                                 |          | 2   |      |

# PARTS INDEX

| Part No. | Description  | Pg. | Ref.no | Part No. | Description  | Pg. | Ref.no |
|----------|--|-----|--------|----------|--|-----|--------|
| 11004    | FILTER   | 44  | 2      | 11149A5  | HARNES ASSEMBLY Adapter  | 30  | -      |
| 11178    | BREAKER Circuit - 50 Ampere                        | 28  | 12     | 12076A1  | ADAPTER ASSEMBLY Exhaust                                       | 54  | 22     |
| 12076A1  | ADAPTER ASSEMBLY Exhaust                           | 58  | 14     | 121151   | DECAL ROCKER COVER   | 76  | 7      |
| 121152   | DECAL ROCKER COVER                                 | 88  | 7      | 121153   | DECAL ROCKER COVER   | 88  | 7      |
| 121154   | DECAL ROCKER COVER                                 | 76  | 7      | 12244    | SCREW (.375-16 x 1.00) STARTER MOTOR BRACKET TO CYLINDER BLOCK | 4   | 6      |
| 12244    | SCREW (.375-16 x 1.00) BRACKET                     | 6   | 38     | 12244    | SCREW (.375-16 x 1.00) DISTRIBUTOR TO CYLINDER BLOCK           | 38  | 6      |
| 12304    | PLUG   | 108 | 9      | 12423    | LIFTING EYE  | 60  | 36     |
| 12558    | HOSE VENT  | 42  | 28     | 12558    | HOSE VENT  | 44  | 22     |
| 12632A3  | COUPLING ASSEMBLY Engine                           | 84  | 30     | 12632A3  | COUPLING ASSEMBLY Engine                                       | 92  | 28     |
| 12675A7  | HOUSING ASSEMBLY Flywheel                          | 102 | 1      | 13037    | SOLENOID SWITCH (4-1/4" LONG)                                  | 10  | 36     |
| 13051A4  | LEVER ASSEMBLY Actuating                           | 62  | 4      | 13051A4  | LEVER ASSEMBLY Actuating                                       | 64  | 3      |
| 13051A4  | LEVER ASSEMBLY Actuating                           | 66  | 3      | 13438    | NUT (.250-28) SHIFT CABLE STUD                                 | 64  | 11     |
| 13438    | NUT (.250-28) SHIFT CABLE STUD                     | 66  | 11     | 13510    | WASHER COUPLING SCREW  | 84  | 33     |
| 13510    | WASHER COUPLING SCREW                              | 94  | 31     | 1372350  | DECAL COVER (2.5L)   | 44  | 30     |
| 1372351  | DECAL COVER (3.0L)                                 | 44  | 30     | 1372356  | DECAL COVER (3.0L-DIGITAL IGNITION)                            | 46  | 30     |
| 13743    | SCREW (.312-18 x 1.843) Shoulder - LEVER           | 64  | 5      | 13743    | SCREW (.312-18 x 1.843) Shoulder - SHIFT LEVER                 | 64  | 15     |
| 13743    | SCREW (.312-18 x 1.843) Shoulder - LEVER           | 66  | 5      | 13743    | SCREW (.312-18 x 1.843) Shoulder - SHIFT LEVER                 | 66  | 15     |
| 13898A3  | LEVER ASSEMBLY Shift                               | 62  | 20     | 13898A3  | LEVER ASSEMBLY Shift   | 64  | 14     |
| 13898A3  | LEVER ASSEMBLY Shift                               | 66  | 14     | 13929A2  | COVER FLYWHEEL HOUSING   | 102 | 9      |
| 14797T1  | LINE Fuel-PUMP TO CARBURETOR                       | 44  | 7      | 14883    | SCREW (.375-16 x 1.12) COUPLING                                | 84  | 32     |
| 14883    | SCREW (.375-16 x 1.12) COUPLING                    | 94  | 30     | 14901A1  | GASKET SET OIL PAN   | 86  | 19     |
| 14901A1  | GASKET SET OIL PAN                                 | 96  | 19     | 14957    | FILTER Oil   | 86  | 13     |
| 14957    | FILTER Oil   | 96  | 13     | 15001    | SCREW (#8-16 x .875) PLATE - PLASTIC                           | 28  | 3      |
| 15071T   | COIL Ignition                                      | 38  | 10     | 15874    | NUT (M10) BATTERY TERMINAL                                     | 4   | 8      |
| 16738A1  | BRACKET ALTERNATOR                                 | 6   | 34     | 16951A1  | COCK ASSEMBLY DRAIN - CYLINDER BLOCK                           | 78  | 16     |
| 16951A1  | COCK ASSEMBLY DRAIN - CYLINDER BLOCK               | 90  | 16     | 17561T   | SPACER   | 38  | 12     |
| 17878A5  | COVER Carburetor - FLAME ARRESTOR                  | 44  | 29     | 18020    | STUD FLAME ARRESTOR  | 44  | 18     |
| 18080    | SOLENOID SWITCH (3.625)                            | 10  | 36     | 18811T   | CONTROL ASSEMBLY   | 38  | 15     |
| 18813T   | SENSOR Motion                                      | 38  | 1      | 19427T   | BRACKET MOUNTING (DIGITAL IGNITION)                            | 28  | 4A     |
| 20084    | WASHER (.328 x .562 x .062) CARBURETOR STUD        | 42  | 33     | 20084    | WASHER (.328 x .562 x .062) CARBURETOR STUD                    | 44  | 27     |
| 20110    | NUT (#10-32) THROTTLE LEVER STUD                   | 68  | 6      | 20110    | NUT (#10-32) LINK ROD TO CARBURETOR SWIVEL                     | 68  | 16     |
| 20190    | NUT (#10-32)                                       | 38  | 14     | 20190    | NUT (#10-32) THROTTLE CABLE TO CARBURETOR                      | 42  | 36     |
| 20190    | NUT (#10-32) THROTTLE CABLE TO CARBURETOR          | 44  | 24     | 20220    | NUT (.500-20) ADJUSTING STUD (TOP)                             | 70  | 17     |
| 20361    | NUT (.250-28) SHIFT CABLE STUD                     | 62  | 28     | 20553    | WASHER (.406 x .734 x .063) ALTERNATOR BRACER STUD             | 4   | 24     |
| 20553    | WASHER (.406 x .734 x .063) ALTERNATOR TO BRACKET  | 6   | 31     | 20553    | WASHER (.406 x .734 x .063) BRACKET STUD                       | 6   | 36     |
| 20553    | WASHER (.406 x .734 x .063) IGNITION COIL SCREW    | 34  | 37     | 20553    | WASHER (.406 x .734 x .063) EXHAUST MANIFOLD SCREW             | 54  | 6      |
| 20553    | WASHER (.406 x .734 x .063) EXHAUST MANIFOLD SCREW | 58  | 5      | 20553    | WASHER (.406 x .734 x .063)                                    | 68  | 8      |
| 20572    | WASHER (.390 x .750 x .093)                        | 102 | 8      | 20572    | WASHER (.390 x .750 x .093) FLYWHEEL HOUSING SCREW (FOR SLOT)  | 108 | 16     |
| 20586    | NUT (.250-28) STARTER COLENOID SCREW               | 28  | 19     | 20586    | NUT (.250-28) FLAME ARRESTOR STUD (TOP)                        | 40  | 25     |
| 20586    | NUT (.250-28) FLAME ARRESTOR STUD (TOP)            | 44  | 21     | 21071    | COTTER PIN SHIFT LEVER   | 64  | 17     |
| 21071    | COTTER PIN SHIFT LEVER                             | 66  | 17     | 21077    | SCREW (.375-16 x .88) DISTRIBUTOR TO CYLINDER BLOCK            | 34  | 38     |
| 21272    | LOCKWASHER (.250) ALTERNATOR TERMINAL              | 4   | 26     | 21825    | NUT (.250-28) FUSE STUD  | 4   | 15     |
| 21923    | NUT (8-32) DIODE TRIO TO RECTIFIER BRIDGE TERMINAL | 18  | 17     | 21923    | NUT (8-32) DIODE TRIO TO RECTIFIER BRIDGE TERMINAL             | 22  | 17     |
| 22248    | WASHER (.453 x .875 x .060) BRACKET SCREW          | 70  | 7      | 2275     | CRANKSHAFT   | 82  | 19     |
| 2277     | CONNECTING ROD ASSEMBLY                            | 82  | 15     | 2279     | PISTON ASSEMBLY  | 78  | 9      |
| 23161    | NUT (.375-24) ALTERNATOR BRACE                     | 4   | 22     | 23161    | NUT (.375-24) ALTERNATOR SCREW                                 | 6   | 33     |
| 23161    | NUT (.375-24) BRACKET STUD                         | 6   | 37     | 2343     | PISTON ASSEMBLY  | 78  | 9      |
| 2422     | CAMSHAFT   | 82  | 1      | 24231    | SCREW (#10-32 x .250) BRACKET                                  | 104 | 18     |
| 24883    | NUT EXHAUST MANIFOLD STUD                          | 54  | 8      | 24883    | NUT EXHAUST MANIFOLD STUD                                      | 54  | 26     |
| 25439    | O-RING (.862 x .103)                               | 106 | 22     | 25594    | NUT (.9375-24) CARBURETOR STUD                                 | 42  | 34     |
| 25594    | NUT (.9375-24) CARBURETOR STUD                     | 44  | 28     | 25909    | WASHER (.406 x .812 x .065) BRACKET SCREW                      | 70  | 10     |
| 26079    | PLATE WIRING HARNES - METAL                        | 28  | 2      | 26079A2  | PLATE KIT Wire Harness Mount PLASTIC                           | 28  | 2      |

# PARTS INDEX

| Part No. | Description   | Pg. | Ref.no | Part No. | Description  | Pg. | Ref.no |
|----------|---|-----|--------|----------|--|-----|--------|
| 26168    | WASHER ALTERNATOR BRACE SCREW                                       | 4   | 20     | 26419    | NUT (#8-32) Brass SOLENOID SWITH TERMINAL                                  | 4   | 9      |
| 26419    | NUT (#8-32) Brass   | 28  | 21     | 26484    | NUT (.312-18) SHIFT LEVER STUD   | 10  | 29     |
| 26486    | SCREW (.375-16 x 2.375) BRACKET TO BLOCK                            | 70  | 8      | 26901    | BUMPER   | 84  | 31     |
| 26901    | BUMPER  | 94  | 29     | 26992    | LOCKWASHER (.250) Stainless Steel FUSE STUD                                | 4   | 14     |
| 26992    | LOCKWASHER (.250) Stainless Steel STARTER SOLENOID TERMINAL         | 28  | 20     | 26992    | LOCKWASHER (.250) Stainless Steel COVER SCREW                              | 108 | 13     |
| 26995    | LOCKWASHER (#8) Stainless Steel SOLENOID SWITCH TERMINAL            | 4   | 10     | 26995    | LOCKWASHER (#8) Stainless Steel CHOKE COVER SCREW                          | 40  | 16     |
| 26995    | LOCKWASHER (#8) Stainless Steel CHOKE COVER SCREW                   | 44  | 15     | 26996    | LOCKWASHER (#10) Stainless Steel   | 28  | 6      |
| 26996    | LOCKWASHER (#10) Stainless Steel                                    | 28  | 9      | 26996    | LOCKWASHER (#10) Stainless Steel CIRCUIT BREAKER TERMINAL                  | 28  | 13     |
| 26996    | LOCKWASHER (#10) Stainless Steel IGNITION OCIL TERMIANL             | 34  | 34     | 26996    | LOCKWASHER (#10) Stainless Steel TERMINAL BLOCK SCREW                      | 62  | 19     |
| 26996    | LOCKWASHER (#10) Stainless Steel TERMINAL BLOCK SCREW               | 64  | 23     | 26996    | LOCKWASHER (#10) Stainless Steel TERMINAL BLOCK SCREW                      | 66  | 23     |
| 27165    | SCREW (.375-16 x .75) IGNITION COIL TO CYLINDER BLOCK               | 34  | 36     | 27947    | SWIVEL LINK ROD TO THROTTLE LEVER  | 68  | 10     |
| 28040    | NUT (.500-20) BEARING SUPPORT BOLT                                  | 106 | 33     | 28105    | WASHER ALTERNATOR SCREW  | 6   | 30     |
| 28668    | SCREW (.250-20 x .875) Stainless Steel COVER TO FLYWHEEL HOUSING    | 102 | 11     | 28941    | NUT FLAME ARRESTOR SCREW   | 40  | 23     |
| 28941    | NUT FLAME ARRESTOR SCREW  | 44  | 19     | 29198    | SCREW AND LOCKWASHER (.312-18 x .875) ALTERNATOR BRACE TO ALTERNATOR       | 4   | 18     |
| 29245    | WASHER (.281 x .500 x .060) Stainless Steel FLAME ARRESTOR SCREW    | 40  | 21     | 30119    | WASHER (.875 Inch Outside Diameter) ADJUSTING STUD                         | 70  | 14     |
| 30164    | WASHER (.192 x .375 x .0312) Stainless Steel IGNITION COIL TERMINAL | 34  | 33     | 30164    | WASHER (.192 x .375 x .0312) Stainless Steel                               | 38  | 13     |
| 30164    | WASHER (.192 x .375 x .0312) Stainless Steel THROTTLE LEVER STUD    | 68  | 5      | 30164    | WASHER (.192 x .375 x .0312) Stainless Steel LINK ROD TO CARBURETOR SWIVEL | 68  | 15     |
| 30902    | SCREW (#6-32 x .750) SWITCH TO SHIFT BRACKET                        | 62  | 15     | 30902    | SCREW (#6-32 x .750) SWITCH TO SHIFT BRACKET                               | 64  | 19     |
| 30902    | SCREW (#6-32 x .750) SWITCH TO SHIFT BRACKET                        | 66  | 19     | 31765    | CLAMP BELLOWS (LARGE)  | 72  | 3      |
| 31765    | CLAMP BELLOWS (LARGE)   | 74  | 3      | 31765    | CLAMP BELLOWS (LARGE)  | 74  | 3      |
| 31765    | CLAMP EXHAUST BELLOWS   | 104 | 16     | 31984    | SCREW (.312-18 x 1.375) FUEL PUMP TO BLOCK                                 | 44  | 4      |
| 32079    | SCREW (.250-20 x .560) CLIP TO ROCKER COVER                         | 40  | 11     | 32079    | SCREW (.250-20 x .560) CLIP TO ROCKER COVER                                | 44  | 9      |
| 32193A2  | COIL ASSEMBLY IGNITION  | 32  | 30     | 32219    | NUT (.375-16) BATTERY TERMINAL   | 4   | 8      |
| 32219    | NUT (.375-16) FLYWHEEL HOUSING ATTACHING STUD                       | 102 | 6      | 32219    | NUT (.375-16) FLYWHEEL HOUSING STUD  | 108 | 19     |
| 32523    | CLAMP INLET HOSE ATTACHING  | 54  | 28     | 32523    | CLAMP HOSE ATTACHING   | 56  | 31     |
| 32523    | CLAMP INLET HOSE ATTACHING  | 58  | 18     | 32533    | CLAMP OIL COOLER ATTACHING   | 56  | 33     |
| 32533    | CLAMP OIL COOLER ATTACHING  | 58  | 23     | 32557    | SCREW (.437-14 x 4.625) BRACKET TO BLOCK                                   | 70  | 5      |
| 32638    | WASHER Rubber ADJUSTING STUD  | 70  | 13     | 32720    | CONNECTOR OIL FILTER TO CYLINDER BLOCK                                     | 86  | 12     |
| 32720    | CONNECTOR OIL FILTER TO CYLINDER BLOCK                              | 96  | 12     | 32756    | SPACER ADJUSTING STUD  | 70  | 15     |
| 32773    | SCREW (.250-20 x .875) COVER TO FLYWHEEL HOUSING                    | 102 | 11     | 32778    | SUPPORT FRONT - ENGINE MOUNT   | 70  | 19     |
| 32780    | CLAMP HOSE ATTACHING  | 56  | 48     | 32780    | CLAMP HOSE ATTACHING   | 58  | 21     |
| 32780    | CLAMP HOSE ATTACHING  | 60  | 38     | 32781    | CLAMP HOSE ATTACHING   | 56  | 50     |
| 32782    | RETAINER HIGH TENSION LEADS   | 32  | 28     | 32782    | RETAINER HIGH TENSION LEADS  | 38  | 9      |
| 32802    | PLUG Pipe (.125-27) EXHAUST MANIFOLD                                | 54  | 3      | 32802    | PLUG Pipe (.125-27) EXHAUST ELBOW  | 54  | 19     |
| 32802    | PLUG Pipe (.125-27) HOUSING   | 56  | 38     | 32802    | PLUG Pipe (.125-27) EXHAUST MANIFOLD                                       | 58  | 2      |
| 32802    | PLUG Pipe (.125-27) HOUSING   | 58  | 28     | 32803    | PLUG Pipe (.375-18) Brass HOUSING  | 56  | 37     |
| 32803    | PLUG Pipe (.375-18) Brass HOUSING                                   | 58  | 27     | 32833    | MOUNT BRACKET  | 70  | 3      |
| 32849    | SUPPORT FRONT - ENGINE MOUNT  | 70  | 20     | 32857    | COTTER PIN SHIFT CABLE RETAINING   | 62  | 9      |
| 32857    | COTTER PIN SHIFT CABLE RETAINING                                    | 64  | 6      | 32857    | COTTER PIN SHIFT CABLE RETAINING   | 66  | 6      |
| 32882    | NUT (.875-14) ADJUSTING STUD  | 70  | 18     | 32974    | FITTING (.125-27) Adaptor OIL PRESSURE SENDER                              | 28  | 11     |
| 32993    | LOCKWASHER (.437) BRACKET SCREW                                     | 70  | 6      | 32993    | LOCKWASHER (.437) HOUSING SCREW  | 108 | 4      |
| 32993    | LOCKWASHER (.437) MOUNT SCREW                                       | 108 | 7      | 32993    | LOCKWASHER (.437) PLATE SCREW  | 108 | 22     |
| 33036    | RETAINER CHOKE COVER SCREW  | 40  | 17     | 33036    | RETAINER CHOKE COVER SCREW   | 44  | 16     |
| 33047    | SCREW CHOKE COVER OT CHOKE HOUSING                                  | 40  | 15     | 33047    | SCREW CHOKE COVER TO CHOKE HOUSING   | 44  | 14     |
| 33122    | NUT STOP SCREW  | 68  | 3      | 33198A1  | PLUG (3/4-14) EXHAUST ELBOW  | 54  | 20     |
| 33212    | SCREW PLATE   | 108 | 21     | 33258    | WASHER Leather COMMUTATOR END FRAME  | 8   | 16     |
| 33270    | BRUSH FIELD FRAME   | 8   | 21     | 33283    | HOLDER FIELD FRAME BRUSH GROUND  | 8   | 20     |
| 33284    | HOLDER INSULATED-FIELD FRANE BRUSH                                  | 8   | 19     | 33285    | SPRING FIELD FRAME BRUSH   | 8   | 24     |
| 33290    | RING Retaining PINION STOP COLLAR                                   | 8   | 4      | 33291    | COLLAR PINION STOP   | 8   | 5      |



# PARTS INDEX

| Part No. | Description  | Pg. | Ref.no | Part No. | Description  | Pg. | Ref.no |
|----------|--|-----|--------|----------|--|-----|--------|
| 33292    | COLLAR THRUST  | 8   | 3      | 33294    | SUPPORT GROUND AND INSULATED HOLDERS                           | 8   | 23     |
| 33297    | LEVER SHIFT  | 8   | 26     | 33317    | PLUNGER SHIFT LEVER  | 10  | 32     |
| 33322    | BOLT THRU  | 20  | 32     | 33322    | BOLT THRU  | 24  | 32     |
| 33354    | RING Retaining   | 10  | 31     | 33369    | BUSHING DRIVE END HOUSING                                      | 8   | 2      |
| 33649    | PIN Drive DRIVE GEAR TO MAIN SHAFT                             | 32  | 5      | 33650    | SCREW BREAKER ASSEMBLY TO MOUNTING PLATE                       | 32  | 17     |
| 33653    | FELT BREAKER CAM LUBRICATOR                                    | 32  | 8      | 33658    | LEAD PRIMARY   | 32  | 19     |
| 33662    | CONDENSER  | 32  | 13     | 33664    | GEAR DRIVE - MAIN SHAFT  | 32  | 3      |
| 33666    | GROMMET MOUNTING PLATE - PRIMARY WIRE                          | 32  | 18     | 33680    | GASKET HOUSING   | 56  | 39     |
| 33680    | GASKET HOUSING   | 58  | 29     | 33683    | CLAMP BELLOWS (SMALL)  | 72  | 2      |
| 33683    | CLAMP BELLOW (SMALL)   | 74  | 2      | 33683    | CLAMP BELLOWS (SMALL)  | 74  | 2      |
| 33683    | CLAMP EXHAUST HOSE   | 104 | 11     | 33956    | GASKET WATER PUMP  | 82  | 8      |
| 33956    | GASKET WATER PUMP  | 92  | 8      | 34208    | GASKET PUSH ROD COVER  | 86  | 5      |
| 34208    | GASKET PUSH ROD COVER  | 96  | 5      | 34213    | GASKET FUEL PUMP   | 40  | 7      |
| 34217    | SEAL VALVE SPRING CAP  | 76  | 14     | 34217    | SEAL VALVE SPRING CAP  | 88  | 14     |
| 34220    | HUB PULLEY - CRANKSHAFT  | 82  | 22     | 342271   | SEALING COMPOUND (16 Ounce)                                    | 78  | -      |
| 342271   | SEALING COMPOUND (16 Ounce)                                    | 90  | -      | 34235    | BREAKER ASSEMBLY DISTRIBUTOR                                   | 32  | 16     |
| 34270    | EXPANSION PLUG (1.625) CYLINDER BLOCK                          | 78  | 2      | 34270    | EXPANSION PLUG (1.625) CYLINDER BLOCK                          | 90  | 2      |
| 34271    | EXPANSION PLUG (2.00) CYLINDER BLOCK                           | 78  | 2      | 34271    | EXPANSION PLUG (2.00) CYLINDER BLOCK                           | 90  | 2      |
| 34273    | GASKET CYLINDER HEAD TO CYLINDER BLOCK                         | 76  | 23     | 34273A88 | GASKET SET ENGINE OVERHAUL                                     | 78  | -      |
| 34353    | SCREW (.375-16 x 1.00) FLYWHEEL HOUSING                        | 108 | 14     | 34354    | SCREW (.375-16 x 1.50)   | 54  | 23     |
| 34460    | GASKET OIL PUMP COVER  | 86  | 7      | 34460    | GASKET OIL PUMP COVER  | 96  | 7      |
| 34466    | KEY CAMSHAFT GEAR  | 82  | 2      | 34466    | KEY PULLEY AND GEAR LOCATING                                   | 82  | 20     |
| 34466    | KEY CAMSHAFT GEAR LOCATING                                     | 92  | 2      | 34466    | KEY PULLEY AND GEAR LOCATING                                   | 92  | 20     |
| 34469    | BEARING Plate - CAMSHAFT THRUST                                | 82  | 3      | 34469    | BEARING Plate - CAMSHAFT THRUST                                | 92  | 3      |
| 34470    | SCREW With Sealing Washer PUSH ROD COVER                       | 86  | 4      | 34470    | SCREW With Sealing Washer PUSH ROD COVER                       | 96  | 4      |
| 34471    | SCREW (.312-18 x 1.500)  | 82  | 9      | 34471    | SCREW (.312-18 x 1.500)  | 92  | 9      |
| 34487    | PLUG (.375-18 x .42) PIPE - CYLINDER BLOCK                     | 78  | 5      | 34487    | PLUG (.375-18 x .42) PIPE - CYLINDER BLOCK                     | 90  | 5      |
| 34488    | PLUG EXPANSION - CAMSHAFT BEARING HOLE                         | 78  | 4      | 34488    | PLUG EXPANSION - CAMSHAFT BEARING HOLE                         | 90  | 4      |
| 34500    | SCREW (.312-18 x .625)   | 86  | 21     | 34500    | SCREW (.312-18 x .625)   | 96  | 21     |
| 34505    | SCREW (.312-18 x .875)   | 82  | 10     | 34510    | BOLT CYLINDER HEAD TO CYLINDER BLOCK                           | 76  | 22     |
| 34510    | BOLT CYLINDER HEAD TO CYLINDER BLOCK                           | 88  | 22     | 34515    | CAP VALVE STEM   | 76  | 13     |
| 34515    | CAP VALVE STEM   | 88  | 13     | 34516    | NUT ROCKER VALVE ARM STUD                                      | 76  | 17     |
| 34516    | NUT ROCKER VALVE ARM STUD                                      | 88  | 17     | 34518    | SHIELD VALVE SPRING CAP  | 76  | 15     |
| 34518    | SHIELD VALVE SPRING CAP  | 88  | 15     | 34519    | ARM KIT ROCKER VALVE   | 76  | 19     |
| 34519    | ARM KIT ROCKER VALVE   | 88  | 19     | 34521    | STUD VALVE ROCKER ARM  | 76  | 21     |
| 34521    | STUD VALVE ROCKER ARM  | 88  | 21     | 34522    | STUD VALVE ROCKER ARM  | 76  | 21     |
| 34522    | STUD VALVE ROCKER ARM  | 88  | 21     | 34532    | PUSH ROD PUSH - VALVE  | 76  | 24     |
| 34532    | PUSH ROD   | 88  | 24     | 34543    | VALVE BY-PASS - OIL FILTER                                     | 78  | 14     |
| 34543    | VALVE BY PASS - OIL FILTER                                     | 90  | 14     | 34567    | WASHER HOUSING SCREW   | 106 | 27     |
| 3464     | POWER CARB KIT   | 48  | 13     | 34696    | SCREW (#8-32 x .750) PLATE - METAL                             | 28  | 3      |
| 34714    | WASHER BRACE SCREW   | 98  | 15     | 34714    | WASHER   | 100 | 15     |
| 34933    | NUT (.437-20) Stainless Steel FLANGE SCREW                     | 106 | 6      | 35029    | O-RING (78.97 X 3.53 MM) EXHAUST ELBOW                         | 72  | 5      |
| 35029    | O-RING (78.97 X 3.53 MM)                                       | 104 | 4      | 35048    | LOCKWASHER (.375) EXHAUST ELBOW SCREW                          | 54  | 24     |
| 35048    | LOCKWASHER (.375) EXHAUST MANIFOLD STUD                        | 54  | 25     | 35048    | LOCKWASHER (.375) BRACKET SCREW                                | 70  | 9      |
| 35048    | LOCKWASHER (.375) FLYWHEEL HOUSING SCREW (3/8")                | 102 | 7      | 35048    | LOCKWASHER (.375) FLYWHEEL HOUSING SCREW ADN STUD              | 108 | 15     |
| 35168    | BEARING DISTRIBUTOR PILOT SHAFT                                | 78  | 7      | 35168    | BEARING DISTRIBUTOR PILOT SHAFT                                | 90  | 7      |
| 35214    | SPRING VALVE   | 76  | 16     | 35214    | SPRING VALVE   | 88  | 16     |
| 35339    | SCREW (.312-18 x .750)   | 86  | 8      | 35339    | SCREW (.312-18 x .750)   | 96  | 8      |
| 35366    | SCREW TIMING GEAR TO CAMSHAFT                                  | 82  | 5      | 35366    | SCREW  | 86  | 10     |
| 35366    | SCREW  | 86  | 17     | 35366    | SCREW TIMING GEAR TO CAMSHAFT                                  | 92  | 5      |
| 35366    | SCREW OIL PUMP SCREEN SUPPORT CLAMPING                         | 96  | 10     | 35366    | SCREW COVER TO CYLINDER BLOCK                                  | 96  | 17     |
| 35386    | SCREW (.312-18 x 1.00)   | 54  | 11     | 35386    | SCREW (.312-18 x 1.00) OIL COOLER BRACKET                      | 56  | 35     |
| 35386    | SCREW (.312-18 x 1.00)   | 58  | 8      | 35386    | SCREW (.312-18 x 1.00) OIL COOLER BRACKET                      | 58  | 25     |
| 35386    | SCREW (.312-18 x 1.00)   | 100 | 29     | 35462    | WASHER (.2656 x .625 x .0625) Stainless Steel SHIFT CABLE STUD | 62  | 24     |
| 35462    | WASHER (.2656 x .625 x .0625) Stainless Steel SHIFT CABLE STUD | 64  | 10     | 35462    | WASHER (.2656 x .625 x .0625) Stainless Steel SHIFT CABLE STUD | 66  | 10     |

# PARTS INDEX

| Part No. | Description   | Pg. | Ref.no | Part No. | Description   | Pg. | Ref.no |
|----------|---|-----|--------|----------|---|-----|--------|
| 35465    | PIN Dowel (.312) CYLINDER BLOCK TO CYLINDER HEAD                          | 78  | 6      | 35465    | PIN Dowel (.312) CYLINDER BLOCK TO CYLINDER HEAD                | 90  | 6      |
| 3548     | CYLINDER BLOCK ASSEMBLY   | 78  | 1      | 35519    | SCREW (#10-16 x .500) TERMINAL BLOCK                            | 30  | 24     |
| 35602    | PULLEY CRANKSHAFT   | 82  | 23     | 35814    | NUT (.312-24) Stainless Steel SHIFT BRACKET STUD                | 62  | 13     |
| 35830    | CLAMP HOSE ATTACHING  | 98  | 9      | 35862    | BLOCK SPACER - BRACKET  | 70  | 4      |
| 35903    | SPACER BRACKET  | 70  | 2      | 35935    | WASHER (.435 x .875 x .105) Stainless Steel FLYWHEEL STUD       | 84  | 28     |
| 35935    | WASHER (.435 x .875 x .105) Stainless Steel FLYWHEEL STUD                 | 92  | 26     | 35950    | WASHER (.273 x .437 x .031) Stainless Steel THROTTLE LEVER STUD | 68  | 4      |
| 35950    | WASHER (.273 x .437 x .031) Stainless Steel LINK ROD TO CARBURETOR SWIVEL | 68  | 14     | 36100T   | STUD ADJUSTING - FRONT MOUNTING BRACKET                         | 70  | 11     |
| 36103    | WASHER (Steel, 1.75 Inch Outside Diameter) ADJUSTING STUD                 | 70  | 12     | 36104    | WASHER Rubber RUBBER - ADJUSTING STUD                           | 70  | 16     |
| 36275    | WASHER ROTOR  | 32  | 21     | 36382    | FITTING (.250-18 x .62) Brass EXHAUST MANIFOLD                  | 54  | 4      |
| 36382    | FITTING (.250-18 x .62) Brass EXHAUST MANIFOLD                            | 58  | 3      | 36405    | PUMP ASSEMBLY Oil   | 86  | 6      |
| 36405    | PUMP ASSEMBLY Oil   | 96  | 6      | 36533    | WASHER (.328 x .562 x .0312) Copper THERMOSTAT COVER SCREW      | 56  | 46     |
| 37293    | SENDER ASSEMBLY Oil Pressure (DUAL)                                       | 28  | 8      | 37493    | NUT (.375-24) CONNECTING ROD CAP BOLT                           | 92  | 17     |
| 37531    | PLUG OIL CHANNEL - CYLINDER BLOCK   | 78  | 3      | 37531    | PLUG OIL CHANNEL - CYLINDER BLOCK                               | 90  | 3      |
| 37612    | SCREW (.375-16 x 1.250)   | 100 | 12     | 37612    | SCREW (.375-16 x 1.250) FLYWHEEL HOUSING ATTACHING              | 102 | 4      |
| 37626    | SCREW (.375-24 x 4.250) ALTERNATOR TO BRACKET                             | 6   | 29     | 37700    | ROD THROTTLE  | 68  | 11     |
| 37981    | SPACER SHIFT BRACKET STUD   | 62  | 11     | 3814     | CYLINDER BLOCK ASSEMBLY   | 90  | 1      |
| 3816     | CRANKSHAFT  | 92  | 19     | 3817     | CONNECTING ROD ASSEMBLY CONNECTING ROD BEARING CAP              | 92  | 15     |
| 3818     | PISTON ASSEMBLY   | 90  | 9      | 3819     | PISTON ASSEMBLY   | 90  | 9      |
| 3827     | JET   | 48  | 7      | 38507    | SCREW (5/16-18 x 1.313) STEP - THROTTLE LEVER                   | 68  | 7      |
| 3864     | CAMSHAFT  | 92  | 1      | 38983    | SWIVEL LINK ROD TO CARBURETOR                                   | 68  | 13     |
| 39107    | LOCKWASHER (.312-24) FUEL PUMP SCREW                                      | 44  | 5      | 39107    | LOCKWASHER (.312-24) PULLEY SCREW                               | 82  | 13     |
| 39107    | LOCKWASHER (.312-24) PULLEY SCREW   | 92  | 13     | 39131    | LOCKWASHER (.437) FLYWHEEL SCREW                                | 84  | 35     |
| 39131    | LOCKWASHER (.437) FLYWHEEL SCREW  | 94  | 33     | 39332A1  | COVER ASSEMBLY PUSH ROD   | 86  | 3      |
| 39332A1  | COVER ASSEMBLY PUSH ROD   | 96  | 3      | 39670A28 | SWITCH ASSEMBLY CUT-OUT   | 62  | 14     |
| 39670A28 | SWITCH ASSEMBLY CUT-OUT   | 64  | 18     | 39670A28 | SWITCH ASSEMBLY CUT-OUT   | 66  | 18     |
| 39783    | SCREW PUSH ROD COVER  | 86  | 4      | 39783    | SCREW PUSH ROD TO CYLINDER BLOCK                                | 96  | 4      |
| 40001192 | SCREW (M10 x 25) POWER STEERING PUMP                                      | 98  | 16     | 40001192 | SCREW (M10 x 25)  | 100 | 16     |
| 40001195 | SCREW (M10 x 30) POWER STEERING PUMP                                      | 98  | 16     | 40001195 | SCREW (M10 x 30)  | 100 | 16     |
| 400211   | NUT (M5) Stainless Steel SOLENOID SWITCH TERMINAL                         | 4   | 9      | 41063A1  | BRACKET ASSEMBLY MOUNTING                                       | 104 | 17     |
| 41102A1  | LINE ASSEMBLY Fuel FUEL PUMP TO CARBURETOR                                | 40  | 12     | 41191A1  | ELBOW ASSEMBLY Exhaust  | 104 | 13     |
| 41261    | PARTS MANUAL 120 H.P./2.5L140 H.P./3.0L RMR/ALPHA ONE                     | 2   | -      | 41408    | SCREW (#10-32 x 1.50) MOUNTING BRACKET TO COIL                  | 34  | 32     |
| 41471    | LOCKWASHER (.375) PIPE SCREW  | 72  | 9      | 41471    | LOCKWASHER (.375) ELBOW SCREW                                   | 72  | 12     |
| 41471    | LOCKWASHER (.375) ELBOW SCREW   | 74  | 10     | 41575A1  | HARNESS ASSEMBLY SHIFT AND TRIM                                 | 106 | 34     |
| 41877    | STUD (M10) POWER STEERING PUMP  | 98  | 3A     | 42227870 | OWNERS GUIDE (CONVENTIONAL IGNITION)                            | 2   | -      |
| 42227890 | OWNERS GUIDE (DIGITAL IGNITION)   | 2   | -      | 42304A2  | SUPPORT ASSEMBLY  | 106 | 7      |
| 42307    | WASHER BEARING SUPPORT BOLT (SPHERICAL)                                   | 106 | 32     | 42421A5  | ELBOW ASSEMBLY Exhaust - LOWER                                  | 74  | 7      |
| 42422A2  | PIPE ASSEMBLY Exhaust - UPPER   | 74  | 4      | 42725A3  | PUMP ASSEMBLY Fuel Fuel   | 44  | 1      |
| 42768    | NUT   | 26  | 1      | 42769    | LOCKWASHER  | 26  | 2      |
| 42770    | PULLEY  | 26  | 3      | 42771    | FAN   | 26  | 4      |
| 42772    | SPACER  | 26  | 5      | 42773    | THRU BOLT   | 26  | 7      |
| 42774    | BRACKET FRONT   | 26  | 6      | 42775    | ROTOR (INCLUDES BEARINGS)                                       | 26  | 8      |
| 42776    | STATOR  | 26  | 9      | 42777    | BRACKET REAR  | 26  | 10     |
| 42778    | HEAT SINK (+)   | 26  | 11     | 42779    | HEAT SINK (-)   | 26  | 12     |
| 42780    | CONDENSER ASSEMBLY  | 26  | 13     | 42781    | BEARING KIT   | 26  | 16     |
| 42782    | HARDWARE KIT EXTERNAL   | 26  | 15     | 42783    | HARDWARE KIT INTERNAL   | 26  | 14     |
| 42784    | HOLDER KIT (INCLUDES SPRINGS AND BRUSHES)                                 | 26  | 17     | 42785    | REGULATOR KIT   | 26  | 18     |
| 42786    | ROTOR   | 22  | 13     | 42787    | STATOR ASSEMBLY   | 22  | 12     |
| 42788    | DIODE TRIO  | 22  | 16     | 42789    | FITTING   | 22  | 14     |
| 42790    | SCREW RECTIFIER BRIDGE  | 22  | 15     | 42791    | HOLDER AND BRUSH ASSEMBLY                                       | 18  | 25     |
| 42791    | HOLDER AND BRUSH ASSEMBLY   | 22  | 25     | 42792    | FRAME DRIVE END   | 22  | 7      |

# PARTS INDEX

| Part No. | Description  | Pg. | Ref.no | Part No. | Description  | Pg. | Ref.no |
|----------|--|-----|--------|----------|--|-----|--------|
| 4285064  | HOSE Transom Plate to Housing - INLET (3/4" I.D.)              | 54  | 27     | 4285064  | HOSE Transom Plate to Housing - INLET (3/4" I.D.)              | 58  | 17     |
| 42851    | HOSE COOLER TO DRIVE UNIT - 3/4" I.D.                          | 56  | 29     | 42851    | HOSE COOLER TO DRIVE UNIT                                      | 58  | 19     |
| 42851    | HOSE (.750 Inside Diameter)                                    | 100 | 23     | 42853    | ELBOW HOUSING  | 56  | 41     |
| 42853    | ELBOW HOUSING  | 58  | 31     | 431861   | GASKET FUEL PUMP   | 44  | 3      |
| 43276    | ELBOW (90 Degree) FUEL LINE                                    | 44  | 6      | 43293    | BEARING SET CAMSHAFT   | 78  | 8      |
| 43293    | BEARING SET CAMSHAFT   | 90  | 8      | 43809    | GROMMET WATER SHUTTER  | 74  | 8      |
| 44107    | HOSE COOLER TO HOUSING - 3/4" I.D.                             | 56  | 30     | 44107    | HOSE COOLER OT HOUSING   | 58  | 20     |
| 44107    | HOSE (.750 Inside Diameter)                                    | 100 | 24     | 44187A1  | HOUSING FLYWHEEL   | 108 | 8      |
| 44348    | TUBE ELBOW TO ENGINE   | 74  | 1      | 45488    | BOLT (7/8 In.) FUEL PUMP TO CYLINDER BLOCK (3/4")              | 40  | 8      |
| 45490    | GAUGE OIL LEVER (DIPSTICK)                                     | 86  | 1      | 45490    | GAUGE OIL LEVER (DIPSTICK)                                     | 96  | 1      |
| 45599    | SPRING ACTUATING LEVER   | 62  | 5      | 45599    | SPRING ACTUATING LEVER   | 64  | 4      |
| 45599    | SPRING ACTUATING LEVER   | 66  | 4      | 45600    | SLEEVE ACTUATING LEVER   | 62  | 12     |
| 45600    | SLEEVE SHIFT LEVER   | 62  | 22     | 45754    | SCREW (.375-16 x 2) FLYWHEEL HOUSING ATTACHING                 | 102 | 4      |
| 45862    | SCREW (#10-32 x .875) CIRCUIT BREAKER                          | 28  | 15     | 45915    | TERMINAL BLOCK   | 30  | 23     |
| 45915    | TERMINAL BLOCK   | 104 | 20     | 46367    | SCREW (.190-32 x 2.500)  | 38  | 11     |
| 46438    | NUT (#10-32) INSULATOR SCREW                                   | 28  | 16     | 46438    | NUT (#10-32) BRACKET SCREW                                     | 104 | 19     |
| 46743    | TIMING GEAR CRANKSHAFT   | 82  | 21     | 46743    | TIMING GEAR CRANKSHAFT   | 92  | 21     |
| 46889    | SPRING PLUNGER RETURN  | 10  | 34     | 47277    | SCREW (.312-24 x .750) PULLEY TO WATER PUMP                    | 82  | 12     |
| 47277    | SCREW (.312-24 x .750) PULLEY TO WATER PUMP                    | 92  | 12     | 47483    | J CLIP END CAP SCREW   | 54  | 15     |
| 47483    | J CLIP END CAP SCREW   | 58  | 12     | 47525    | NUT (.875-14) ADJUSTING STUD (BOTTOM)                          | 70  | 22     |
| 47587A2  | HOUSING ASSEMBLY Thermostat                                    | 56  | 36     | 47587A2  | HOUSING ASSEMBLY Thermostat - CYL. HEAD                        | 58  | 26     |
| 47590    | GASKET THERMOSTAT COVER  | 56  | 43     | 475901   | GASKET THERMOSTAT COVER  | 58  | 33     |
| 47642    | HOSE (49.00 Inches Bulk) INLET (5/8" I.D.)                     | 54  | 27     | 47651    | SCREW (.437-14 x 1.50) HOUSING                                 | 108 | 3      |
| 47651    | SCREW (.437-14 x 1.50) MOUNT                                   | 108 | 6      | 47688    | SCREW (.375-16 x 2.750) BRACKET TO BLOCK                       | 70  | 8      |
| 47688    | SCREW (.375-16 x 2.750) LFWHEEL HOUSING                        | 108 | 14     | 47957    | CONNECTOR VENT HOSE  | 40  | 27     |
| 48021    | SCREW CONDENSER BRACKET ATTACHING                              | 32  | 15     | 48024    | BRACKET CONDENSER MOUNTING                                     | 32  | 14     |
| 48043    | GASKET END CAP   | 54  | 10     | 48043    | GASKET END CAP   | 58  | 7      |
| 486594   | HOSE EXHAUST   | 104 | 10     | 49076    | VALVE EXHAUST  | 76  | 26     |
| 49088    | FILTER FUEL - FUEL PUMP  | 40  | 3      | 49089A1  | DIAPHRAGM KIT FUEL PUMP  | 40  | 2      |
| 49288    | CAP ASSEMBLY Oil Filler  | 76  | 6      | 49288    | CAP ASSEMBLY Oil Filler  | 88  | 6      |
| 49734A1  | SENDER ASSEMBLY Water Temperature (DUAL)                       | 28  | 5      | 49736A3  | COUPLING ASSEMBLY  | 106 | 25     |
| 49845    | SCREW (.437-20 x 1.00) FLYWHEEL                                | 84  | 34     | 49845    | SCREW (.437-20 x 1.00) FLYWHEEL                                | 94  | 32     |
| 49953    | GASKET CRANKCASE COVER   | 86  | 16     | 49953    | GASKET CRANKCASE COVER   | 96  | 16     |
| 49955    | GASKET OIL PAN DRAIN SCREW                                     | 86  | 23     | 49955    | GASKET OIL PAN DRAIN SCREW                                     | 96  | 23     |
| 49956    | SCREW Drain OIL PAN  | 86  | 22     | 49956    | SCREW Drain OIL PAN  | 96  | 22     |
| 52143    | SCREW (.375-16 x 4.750)  | 54  | 5      | 52143    | SCREW (.375-16 x 4.750)  | 58  | 4      |
| 52145    | GASKET ROCKER COVER TO CYLINDER HEAD                           | 76  | 11     | 52145    | GASKET ROCKER COVER TO CYLINDER HEAD                           | 88  | 11     |
| 52146    | SCREEN OIL PUMP  | 86  | 9      | 52146    | SCREEN OIL PUMP  | 96  | 9      |
| 52188    | GROMMET ROCKER COVER   | 42  | 30     | 52349    | PULLEY WATER PUMP  | 82  | 11     |
| 52349    | PULLEY WATER PUMP  | 92  | 11     | 52364    | GASKET CYLINDER HEAD   | 88  | 23     |
| 52364A88 | GASKET SET ENGINE OVERHAUL                                     | 90  | -      | 52364A88 | GASKET SET ENGINE OVERHAUL                                     | 94  | -      |
| 52364A88 | GASKET SET ENGINE OVERHAUL                                     | 96  | -      | 52364A88 | GASKET SET ENGINE OVERHAUL                                     | 102 | -      |
| 52367    | VALVE EXHAUST  | 88  | 25     | 52368    | VALVE EXHAUST  | 88  | 25     |
| 52481    | HOSE HOUSING TO END CAP/CONNECTOR                              | 56  | 47     | 52481    | HOSE HOUSING TO END CAP/CONNECTOR                              | 60  | 37     |
| 52498    | SCREW (.437-20 x 1.500) DRIVESHAFT FLANGE                      | 106 | 5      | 52504    | FLANGE DRIVESHAFT  | 106 | 2      |
| 5251914  | HOSE (53.00 Inches Bulk) PUMP TO OIL COOLER                    | 98  | 8      | 5251914  | HOSE (53.00 Inches Bulk)                                       | 100 | 8      |
| 52583A1  | PAN ASSEMBLY Oil   | 86  | 18     | 52583A1  | PAN ASSEMBLY Oil   | 96  | 18     |
| 52734    | BAIL FLAME ARRESTOR TO CARBURETOR                              | 40  | 19     | 5319     | CYLINDER HEAD ASSEMBLY   | 76  | 20     |
| 53509    | ELBOW HOUSING  | 56  | 41     | 54090    | ELBOW VENT TUBE TO CARBURETOR                                  | 40  | 4      |
| 54090    | ELBOW VENT TUBE TO CARBURETOR                                  | 44  | 10     | 54177    | STUD (1 3/8) BRACE TO MANIFOLD                                 | 4   | 21     |
| 54528    | SCREW LIFTING EYE ATTACHING                                    | 76  | 28     | 54528    | SCREW LIFTING EYE ATTACHING                                    | 88  | 28     |
| 54797    | KEY VALVE STEM (2 PER VALVE)                                   | 76  | 12     | 54797    | KEY VALVE STEM (2 PER VALVE)                                   | 88  | 12     |
| 55045    | BALANCER HARMONIC  | 92  | 22     | 5544     | CYLINDER HEAD ASSEMBLY   | 88  | 20     |
| 56681    | WASHER (.203 x .500 x .032) THROTTLE CABLE                     | 42  | 35     | 56681    | WASHER (.203 x .500 x .032) THROTTLE CABLE                     | 44  | 23     |
| 56720    | WASHER (.330 x .750 x .060) Stainless Steel SPRING SCREW       | 62  | 7      | 56720    | WASHER (.330 x .750 x .060) Stainless Steel SHIFT BRACKET STUD | 62  | 10     |
| 56720    | WASHER (.330 x .750 x .060) Stainless Steel SHIFT BRACKET STUD | 64  | 8      | 56720    | WASHER (.330 x .750 x .060) Stainless Steel SHIFT BRACKET STUD | 66  | 8      |

# PARTS INDEX

| Part No. | Description  | Pg. | Ref.no | Part No. | Description  | Pg. | Ref.no |
|----------|--|-----|--------|----------|--|-----|--------|
| 56826    | STUD (1.5 In.) ALTERNATOR BRACKET                        | 6   | 35     | 56826    | STUD (1.5 In.) EXHAUST MANIFOLD TO EXHAUST ADAPTOR (1-1/2")      | 54  | 2      |
| 56934    | ROTOR  | 18  | 13     | 56935    | STATOR ASSEMBLY  | 18  | 12     |
| 56938    | DIODE TRIO   | 18  | 16     | 56939    | RECTIFIER BRIDGE   | 18  | 14     |
| 56943    | SPRING TENSION - BRUSHES                                 | 18  | 26     | 56943    | SPRING TENSION - BRUSHES   | 22  | 26     |
| 56947    | WASHER SPONGE NEOPRENE (1-1/4" O.D.)                     | 18  | 20     | 56947    | WASHER SPONGE NEOPRENE (1-1/4" O.D.)                             | 22  | 20     |
| 56954    | FRAME DRIVE END  | 18  | 7      | 57053    | SCREW (.500-20 x 4.500) BEARING SUPPORT                          | 106 | 30     |
| 57638    | BAFFLE ROCKER COVER                                      | 76  | 3      | 57638T   | BAFFLE ROCKER COVER  | 88  | 3      |
| 57792    | WASHER THROTTLE LEVER STEP SCREW (21/64" I.D.)           | 68  | 9      | 5790811  | SLEEVE (10.00 Inches Bulk) ALTERNATOR LEADS                      | 6   | 28     |
| 58099    | NUT CONNECTING ROD CAP BOLT                              | 82  | 17     | 58217    | ROTOR DISTRIBUTOR  | 32  | 20     |
| 58219    | SEAL HOUSING   | 32  | 7      | 58283    | GEAR TIMING  | 82  | 4      |
| 58283    | GEAR TIMING - CAMSHAFT                                   | 92  | 4      | 58296    | CONDENSER  | 18  | 21     |
| 58296    | CONDENSER  | 22  | 21     | 58333    | BRACE ALTERNATOR TO EXHAUST MANIFOLD (FRONT)                     | 4   | 17     |
| 58640    | SCREW (.375-16 x 1.25) PIPE TO ELBOW                     | 72  | 8      | 58640    | SCREW (.375-16 x 1.25) ELBOW TO GIMBAL HOUSING                   | 72  | 11     |
| 58640    | SCREW (.375-16 x 1.25) ELBOW TO GIMBAL HOUSING           | 74  | 9      | 58640    | SCREW (.375-16 x 1.25) EXHAUST ELBOW TO SEPARATOR                | 104 | 8      |
| 58643    | LOCKWASHER (.375) EXHAUST ELBOW SCREW                    | 104 | 9      | 58643    | LOCKWASHER (.375) PLATE SCREW                                    | 104 | 23     |
| 59078    | THERMOSTAT   | 56  | 42     | 59078    | THERMOSTAT   | 58  | 32     |
| 59340    | BALL Rocker Arm ROCKER VALVE ARM STUD                    | 76  | 18     | 59340    | BALL Rocker Arm ROCKER VALVE ARM STUD                            | 88  | 18     |
| 59341    | COVER ASSEMBLY CRANKCASE                                 | 86  | 14     | 59341    | COVER ASSEMBLY CRANKCASE   | 96  | 14     |
| 59571    | SPARK PLUG   | 32  | 27     | 59571    | SPARK PLUG   | 38  | 8      |
| 59645    | SCREW (.312-18 x .750)                                   | 54  | 14     | 59645    | SCREW (.312-18 x .750)   | 58  | 11     |
| 60252A2  | END CAP EXHAUST MANIFOLD (FRONT)                         | 54  | 9      | 60252A2  | END CAP EXHAUST MANIFOLD (FRONT)                                 | 58  | 6      |
| 60372A2  | COVER ASSEMBLY Thermostat Housing                        | 56  | 44     | 60372A2  | COVER ASSEMBLY Thermostat Housing                                | 60  | 34     |
| 60374    | SCREW (1.75 In.) THERMOSTAT COVER ATTACHING (1-3/4")     | 56  | 45     | 60374    | SCREW (1.75 In.) THERMOSTAT COVER                                | 60  | 35     |
| 60690    | BEARING Roller SLIP RING END FRAME                       | 18  | 30     | 60690    | BEARING Roller SLIP RING END FRAME                               | 24  | 30     |
| 60691    | SCREW BRUSH HOLDER - INSULATED                           | 18  | 27     | 60691    | SCREW BRUSH HOLDER - INSULATED                                   | 22  | 27     |
| 60692    | TERMINAL PACKAGE BATTERY                                 | 18  | 19     | 60692    | TERMINAL PACKAGE BATTERY   | 22  | 19     |
| 60693    | SCREW CONDENSER  | 18  | 23     | 60693    | SCREW CONDENSER LEAD TERMINAL                                    | 18  | 24     |
| 60693    | SCREW CONDENSER  | 22  | 23     | 60693    | SCREW CONDENSER LEAD TERMINAL                                    | 22  | 24     |
| 60717    | SUPPORT OIL PUMP   | 86  | 11     | 60717    | SUPPORT OIL PUMP   | 96  | 11     |
| 60930    | SHUTTER Water  | 72  | 7      | 60930    | SHUTTER Water  | 74  | 6      |
| 60930    | SHUTTER Water  | 104 | 6      | 60931    | RETAINER WATER SHUTTER   | 72  | 6      |
| 60931    | RETAINER WATER SHUTTER                                   | 104 | 5      | 61221    | CROSS AND BEARING With Clips                                     | 106 | 3      |
| 62060    | HOSE VENT  | 40  | 26     | 62421    | VALVE INLET  | 76  | 25     |
| 62422    | VALVE INLET  | 76  | 25     | 62425    | WASHER BREAKER PLATE SUPPORT SCREW                               | 32  | 12     |
| 62426    | SCREW VENT - DISTRIBUTOR HOUSING                         | 32  | 2      | 62568    | SCREW (#10-16 x .375) TERMINAL BLOCK                             | 30  | 24     |
| 62568    | SCREW (#10-16 x .375) BAFFLE TO ROCKER COVER             | 76  | 4      | 62568    | SCREW (#10-16 x .375) BAFFLE TO ROCKER COVER                     | 88  | 4      |
| 62780A1  | BEARING Ball   | 106 | 24     | 62826A6  | CABLE ASSEMBLY Ground (13.00 Inches) Black FLYWHEEL HOUSING STUD | 102 | 12     |
| 63145A1  | LINK ROD ASSEMBLY CARBURETOR                             | 68  | 12     | 63300    | CLAMP  | 100 | 10     |
| 63341    | TEE NUT SHIFT CABLE STUD                                 | 62  | 25     | 63341    | TEE NUT SHIFT CABLE STUD   | 64  | 13     |
| 63341    | TEE NUT SHIFT CABLE STUD                                 | 66  | 13     | 63709A1  | BOOT/TERMINAL KIT HIGH TENSION LEAD                              | 32  | 26     |
| 63894    | SPACER ALTERNATOR TO BRACKET                             | 6   | 32     | 64015    | NUT (.250-20) ALTERNATOR TERMINAL                                | 6   | 27     |
| 64032A1  | V BELT ALTERNATOR AND WATER PUMP                         | 82  | 14     | 64032A1  | V BELT ALTERNATOR AND WATER PUMP                                 | 92  | 14     |
| 64066    | STUD (.375-16 x 2.750) Special                           | 102 | 5      | 64066    | STUD (.375-16 x 2.750) Special FLYWHEEL HOUSING                  | 108 | 18     |
| 64425    | FITTING EXTENSION - CYLINDER BLOCK                       | 78  | 15     | 64425    | FITTING EXTENSION - CYLINDER BLOCK                               | 90  | 15     |
| 64648    | CLAMP HOSE ATTACHING                                     | 42  | 29     | 64692    | GASKET CARBURETOR  | 42  | 31     |
| 65027    | SCREW (.250-28 x 1.00) FLAME ARRESTOR TO CARB. BAIL (1") | 40  | 20     | 65142A1  | PUMP ASSEMBLY Water (SPECIAL MARINE)                             | 82  | 7      |
| 65142A1  | PUMP ASSEMBLY Water (SPECIAL MARINE)                     | 92  | 7      | 65153    | RING Piston  | 90  | 10     |
| 65606T   | BRACKET MOUNTING   | 98  | 20     | 65606T   | BRACKET  | 100 | 20     |
| 65607T   | V BELT POWER STEERING PUMP                               | 98  | 4      | 65607T   | V BELT (37 Inches)   | 100 | 4      |
| 65635A8  | COVER ROCKER   | 76  | 1      | 65635A8  | COVER ROCKER   | 88  | 1      |
| 65653    | CLIP FUEL LINE TO ROCKER COVER                           | 40  | 10     | 65653    | CLIP FUEL LINE TO ROCKER COVER                                   | 44  | 8      |
| 65746    | SCREW (.250-20 x .750)                                   | 76  | 8      | 65746    | SCREW (.250-20 x .750)   | 88  | 8      |
| 65970    | BRACKET IGNITION COIL MOUNTING                           | 34  | 31     | 66217    | RING Piston  | 90  | 10     |
| 668631   | SCREW (.375-16 x 2.500) EXHAUST ELBOW                    | 58  | 16     | 66986    | TERMINAL BLOCK   | 62  | 16     |

# PARTS INDEX

| Part No. | Description   | Pg. | Ref.no | Part No. | Description   | Pg. | Ref.no |
|----------|---|-----|--------|----------|---|-----|--------|
| 66986    | TERMINAL BLOCK  | 64  | 20     | 66986    | TERMINAL BLOCK  | 66  | 20     |
| 67132    | RING PISTON   | 78  | 10     | 67134    | RING PISTON   | 78  | 10     |
| 67850    | LIFTING EYE CYLINDER HEAD                             | 76  | 27     | 67850    | LIFTING EYE CYLINDER HEAD   | 88  | 27     |
| 68219    | NUT (#10-32) Stainless Steel                          | 28  | 7      | 68219    | NUT (#10-32) Stainless Steel                                      | 28  | 10     |
| 68219    | NUT (#10-32) Stainless Steel CIRCUIT BREAKER TERMINAL | 28  | 14     | 68219    | NUT (#10-32) Stainless Steel IGNITION COIL TERMINAL               | 34  | 35     |
| 68402    | PIN (.250 x 1.13) SHIFT LEVER                         | 64  | 16     | 68614    | WASHER BEARING PLATE  | 8   | 9      |
| 68615    | WASHER SHIFT LEVER STUD                               | 10  | 28     | 69056    | WASHER (.255 x .620 x .030) Stainless Steel                       | 38  | 17     |
| 69143T   | V BELT ALTERNATOR AND WATER PUMP                      | 82  | 14     | 69143T   | V BELT ALTERNATOR AND WATER PUMP                                  | 92  | 14     |
| 69143T   | V BELT (40 Inches)                                    | 100 | 4      | 7000     | COVER ASSEMBLY FRONT  | 12  | 7      |
| 7001     | ROTOR ASSEMBLY  | 12  | 16     | 7002     | STATOR ASSEMBLY   | 12  | 10     |
| 7003     | HOUSING REAR  | 12  | 22     | 7004     | FAN DRIVE END FRAME   | 12  | 4      |
| 7004     | FAN   | 16  | 4      | 7005     | BEARING Ball DRIVE END  | 12  | 8      |
| 7005     | BEARING Ball  | 16  | 7      | 7006     | RING DRIVE END BALL BEARING                                       | 12  | 9      |
| 7007     | RETAINER ROTOR SHAFT BEARING                          | 12  | 21     | 7007     | RETAINER  | 16  | 13     |
| 7008     | DIODE TRIO  | 14  | 35     | 7009     | DIODE NEGATIVE  | 12  | 11     |
| 7010     | HEAT SINK POSITIVE                                    | 12  | 12     | 7011     | HOLDER ASSEMBLY Brush   | 14  | 33     |
| 7012     | SPACER FAN TO DRIVE END FRAME                         | 12  | 5      | 70125A1  | COVER CHOKE   | 40  | 14     |
| 70125A1  | COVER CHOKE   | 44  | 13     | 7013     | GASKET VOLTAGE REGULATOR  | 14  | 37     |
| 7014     | SLIP RING   | 12  | 17     | 7014     | SLIP RING   | 16  | 11     |
| 70143    | GASKET CARBURETOR                                     | 42  | 31     | 701431   | GASKET CARBURETOR (MERCARB)                                       | 44  | 25     |
| 7015     | SCREW VOLTAGE REGULATOR ATTACHING                     | 14  | 39     | 7016     | BOLT (3 In.)  | 12  | 31     |
| 7017     | RING DRIVE END FRAM                                   | 12  | 3      | 7018     | SLEEVE INSULATOR  | 12  | 14     |
| 7019     | SPACER DIODE TRIO                                     | 14  | 36     | 7020     | SLEEVE INSULATOR  | 12  | 13     |
| 7021     | NUT CONDENSER TERMINAL ATTACHING                      | 12  | 32     | 7021     | NUT   | 16  | 21     |
| 7022     | WASHER CONDENSER TERMIANL STUD                        | 12  | 30     | 7022     | WASHER  | 16  | 24     |
| 7023     | INSULATOR REGULATOR TERMINAL STUD                     | 12  | 24     | 70236    | STUD (.312 x 1.500) CARBURETOR                                    | 42  | 32     |
| 70236    | STUD (.312 x 1.500) CARBURETOR                        | 44  | 26     | 7024     | WASHER CONDENSER TERMINAL STUD                                    | 12  | 25     |
| 7025     | NUT TERMINAL STUD                                     | 12  | 26     | 7026     | NUT TERMINAL ATTACHING  | 12  | 29     |
| 7027     | NUT FAN AND PULLEY TO ROTOR                           | 12  | 1      | 7027     | NUT   | 16  | 1      |
| 7028     | NUT THRU BOLT ATTACHING                               | 12  | 6      | 7029     | SCREW (5/8 In.) ROTOR SHAFT (5/8&quot;)                           | 12  | 20     |
| 7030     | SCREW (1/2 In.) BRUSH HOLDER (1/2&quot;)              | 14  | 34     | 7032     | LOCKWASHER TERMINAL STUD  | 12  | 28     |
| 7033     | LOCKWASHER FAN AND PULLEY NUT                         | 12  | 2      | 7033     | LOCKWASHER  | 16  | 2      |
| 7034     | KEY ROTOR   | 12  | 15     | 7034     | KEY   | 16  | 9      |
| 7035     | CONDENSER   | 12  | 23     | 7036     | REGULATOR Voltage   | 14  | 38     |
| 70878    | STUD (1/4 x 2.125) FLAME ARRESTOR                     | 40  | 22     | 70878    | STUD (1/4 x 2.125) FLAME ARRESTOR                                 | 44  | 18     |
| 70981A3  | BELLOWS ASSEMBLY EXHAUST ELBOW TO ENGINE              | 72  | 1      | 70981A3  | BELLOWS ASSEMBLY EXHAUST ELBOW TO ENGINE                          | 74  | 1      |
| 70981A3  | BELLOWS ASSEMBLY                                      | 104 | 14     | 71333A5  | POWER STEERING PUMP AND COOLER KIT                                | 100 | -      |
| 71693    | ARMATURE  | 8   | 11     | 71694    | BUSHING BEARING PLATE   | 8   | 8      |
| 71696    | HOUSING DRIVE END                                     | 8   | 1      | 71698    | LEVER SHIFT   | 10  | 26     |
| 71702    | SCREW RECTIFIER BRIDGE                                | 18  | 15     | 71703    | SCREW BRUSH HOLDER - GROUND                                       | 18  | 18     |
| 72008    | NUT (.250-20) STARTERMOTOR TERMINAL                   | 4   | 11     | 72057    | SPACER (1.00 Outside Diameter x .125 x Thick) PUMP MOUNTING SCREW | 98  | 18     |
| 72057    | SPACER (1.00 Outside Diameter x .125 x Thick)         | 100 | 18     | 7206     | WASHER ROTOR SCREW  | 12  | 18     |
| 7207     | LOCKWASHER ROTOR SCREW                                | 12  | 19     | 7208     | WASHER TERMINAL STUD  | 12  | 27     |
| 72094    | SCREW (.375-16 x 3.750)                               | 54  | 23     | 72624    | CLAMP DISTRIBUTOR   | 34  | 39     |
| 72624    | CLAMP DISTRIBUTOR                                     | 38  | 5      | 72638    | LIFTER HYDRAULIC - TAPPET   | 82  | 6      |
| 72638    | LIFTER HYDRAULIC - TAPPET                             | 92  | 6      | 72654    | RETAINER BREAKER CAM LUBRICATOR FELT                              | 32  | 9      |
| 73287    | SCREW (#10-32 x .380) TERMINAL BLOCK                  | 62  | 18     | 73287    | SCREW (#10-32 x .380)   | 64  | 22     |
| 73287    | SCREW (#10-32 x .380) TERMINAL BLOCK                  | 66  | 22     | 73483T   | PULLEY WATER PUMP (3 GROOVE)                                      | 82  | 11     |
| 73483T   | PULLEY WATER PUMP (3 GROOVE)                          | 92  | 11     | 73483T   | PULLEY  | 100 | 22     |
| 73571A2  | BRACKET ASSEMBLY FRONT MOUNTING                       | 70  | 1      | 73814    | GASKET END CAP  | 54  | 13     |
| 738141   | GASKET END CAP  | 58  | 10     | 7381563  | HOSE (34.00 Inches Bulk) VENT                                     | 40  | 6      |
| 7381563  | HOSE (34.00 Inches Bulk) VENT                         | 44  | 11     | 73816    | CONNECTOR VENT TUBE TO CARBURETOR                                 | 40  | 4      |
| 73817    | CONNECTOR (90 Degree) VENT TUBE TO FUEL PUMP          | 40  | 5      | 73873A1  | PULLEY POWER STEERING PUMP  | 98  | 3      |
| 73873A1  | PULLEY (Black)  | 100 | 3      | 74036    | FITTING Grease  | 106 | 4      |
| 74036    | FITTING Grease  | 106 | 11     | 74036    | FITTING Grease  | 106 | 15     |
| 74036    | FITTING Grease  | 108 | 2      | 75336    | CAP Filler  | 76  | 2      |
| 75336    | CAP Filler  | 88  | 2      | 75539    | BOLT CONNECTING ROD BEARING CAP                                   | 82  | 16     |
| 75664    | COIL ASSEMBLY   | 8   | 15     | 75665    | ARMATURE  | 8   | 11     |

# PARTS INDEX

| Part No.  | Description                                   | Pg. | Ref.no | Part No.  | Description                                    | Pg. | Ref.no |
|-----------|---|-----|--------|-----------|--|-----|--------|
| 76325A2   | ELBOW ASSEMBLY Exhaust                        | 54  | 18     | 76409     | SUPPORT FRONT - ENGINE MOUNT                   | 70  | 21     |
| 76630     | SCREW (.250-20 x 1.00)                        | 38  | 16     | 76630     | SCREW (.250-20 x 1.00) STOP - THROTTLE LEVER   | 68  | 2      |
| 76850A2   | COUPLING ASSEMBLY                             | 84  | 27     | 76850A2   | COUPLING ASSEMBLY                              | 92  | 25     |
| 76926     | SCREW (.375-16 x .875) HOUSING                | 56  | 40     | 76926     | SCREW (.375-16 x .875) BRACE TO BRACKET        | 98  | 14     |
| 76926     | SCREW (.375-16 x .875)                        | 100 | 14     | 76926     | SCREW (.375-16 x .875) LOWER SHIELD TO SUPPORT | 106 | 17     |
| 77054     | TIE STRAP (14.50 Inches) POWER STEERING HOSES | 98  | 21     | 77054     | TIE STRAP (14.50 Inches)                       | 100 | 21     |
| 77246     | DECAL ROCKER COVER                            | 76  | 7      | 77247     | DECAL ROCKER COVER                             | 88  | 7      |
| 77253     | DECAL WAVES                                   | 76  | 5      | 77253     | DECAL WAVES                                    | 88  | 5      |
| 78385     | REGULATOR Voltage TRANSISTOR                  | 18  | 28     | 78385     | REGULATOR Voltage TRANSISTOR                   | 22  | 28     |
| 78386     | BOOT VOLTAGE REGULATOR TERMIANLS              | 20  | 33     | 78386     | BOOT VOLTAGE REGULATOR TERMINALS               | 24  | 33     |
| 78403A2   | ALTERNATOR ASSEMBLY (MOTOROLA)                | 4   | 16     | 78403A2   | ALTERNATOR ASSEMBLY                            | 12  | -      |
| 79023A91  | FUSE ASSEMBLY 90 Ampere                       | 4   | 12     | 79205     | DRIVE ASSEMBLY CLUTCH                          | 8   | 6      |
| 79207     | PIN PLUNGER TO SHIFT LEVER                    | 10  | 33     | 79208     | GROMMET FIELD COIL - FIELD FRAME               | 8   | 14     |
| 79209     | SCREW BEARING PLATE                           | 8   | 10     | 79211     | FRAME COMMUTATOR END - LOWER                   | 8   | 17     |
| 79212     | COIL ASSEMBLY                                 | 8   | 15     | 79654     | SCREW (.312-18 x 2.380) THERMOSTAT COVER       | 60  | 35     |
| 79695     | BOOT Insulator - Black                        | 4   | 7      | 812509184 | BOLT STARTER MOTOR MOUNTING (1-15/16")         | 4   | 4      |
| 813720A13 | SPARK PLUG WIRE KIT                           | 38  | 7      | 813720A5  | SPARK PLUG WIRE KIT                            | 32  | 25     |
| 813961    | HOUSING Front FRONT                           | 16  | 6      | 813962    | ROTOR  | 16  | 10     |
| 813963    | STATOR  | 16  | 12     | 813964    | HOUSING Rear REAR                              | 16  | 14     |
| 813965    | DIODE FIELD                                   | 16  | 17     | 813966    | DIODE BRIDGE                                   | 16  | 16     |
| 813967    | STRAP (D+)                                    | 16  | 34     | 813968    | BRUSH ASSEMBLY                                 | 16  | 33     |
| 813969    | SPACER  | 16  | 5      | 813970    | GASKET   | 16  | 35     |
| 813971    | COVER   | 16  | 22     | 813972    | CAPACITOR                                      | 16  | 25     |
| 813973    | STRAP   | 16  | 20     | 813974    | REGULATOR Voltage                              | 16  | 29     |
| 813975    | THRU BOLT                                     | 16  | 15     | 813976    | NUT  | 16  | 19     |
| 813977    | NUT   | 16  | 31     | 813978    | SCREW  | 16  | 8      |
| 813979    | SCREW   | 16  | 27     | 813980    | SCREW  | 16  | 32     |
| 813981    | SCREW   | 16  | 18     | 813982    | SCREW  | 16  | 26     |
| 813983    | SCREW   | 16  | 28     | 813984    | WASHER   | 16  | 23     |
| 813985    | WASHER  | 16  | 30     | 813995A1  | GUIDE ASSEMBLY Spring                          | 66  | 24     |
| 814001    | PIN Clevis - SHIFT LEVER                      | 66  | 16     | 814002    | STUD SHIFT CABLE                               | 66  | 2      |
| 814003    | SPACER SHIFT CABLE STUD                       | 66  | 9      | 814187    | GEAR KIT                                       | 38  | 2      |
| 814188    | CAP KIT                                       | 38  | 3      | 814622    | SEAL Oil CRANKSHAFT REAR BEARING               | 78  | 13     |
| 814622    | SEAL Oil CRANKSHAFT REAR BEARING              | 90  | 13     | 814702    | COVER PUSH ROD                                 | 86  | 3      |
| 814702    | COVER PUSH ROD                                | 96  | 3      | 814703    | GASKET PUSH ROD COVER                          | 86  | 5      |
| 814703    | GASKET PUSH ROD COVER                         | 96  | 5      | 815504206 | CLAMP Worm Gear                                | 100 | 9      |
| 815504336 | CLAMP Worm Gear                               | 100 | 27     | 815504412 | CLAMP Worm Gear                                | 100 | 25     |
| 8327      | GASKET FUEL FILTER                            | 48  | 14     | 8480A2    | CARBURETOR ASSEMBLY                            | 40  | 13     |
| 8480A2    | CARBURETOR ASSEMBLY                           | 48  | -      | 85670     | BEARING CRANKSHAFT MAIN - REAR                 | 78  | 12     |
| 85670     | BEARING CRANKSHAFT MAIN                       | 90  | 12     | 85675     | BEARING CARNKSHAFT MAIN                        | 78  | 11     |
| 85675     | BEARING CRANKSHAFT MAIN                       | 90  | 11     | 85676     | BEARING CRANKSHAFT MAIN                        | 78  | 11     |
| 85676     | BEARING CRANKSHAFT MAIN                       | 90  | 11     | 85677     | BEARING (PAIR), CONNECTING ROD                 | 82  | 18     |
| 85678     | BEARING (PAIR), CONNECTING ROD                | 82  | 18     | 85679     | BEARING (PAIR), CONNECTING ROD                 | 82  | 18     |
| 85680     | BEARING (PAIR), CONNECTING ROD                | 82  | 18     | 85681     | BEARING (PAIR), CONNECTING ROD                 | 82  | 18     |
| 85701     | BEARING (PAIR), CONNECTING ROD                | 92  | 18     | 85702     | BEARING (PAIR), CONNECTING ROD                 | 92  | 18     |
| 85703     | BEARING (PAIR), CONNECTING ROD                | 92  | 18     | 85704     | BEARING (PAIR), CONNECTING ROD                 | 92  | 18     |
| 85705     | BEARING (PAIR), CONNECTING ROD                | 92  | 18     | 85713     | BEARING CRANKSHAFT MAIN                        | 78  | 11     |
| 85713     | BEARING CRANKSHAFT MAIN                       | 90  | 11     | 85714     | BEARING CRANKSHAFT MAIN                        | 78  | 11     |
| 85714     | BEARING CRANKSHAFT MAIN                       | 90  | 11     | 85715     | BEARING CRANKSHAFT MAIN - REAR                 | 78  | 12     |
| 85715     | BEARING CRANKSHAFT MAIN                       | 90  | 12     | 85718     | BEARING CRANKSHAFT MAIN - REAR                 | 78  | 12     |
| 85718     | BEARING CRANKSHAFT MAIN                       | 90  | 12     | 85719     | BEARING CRANKSHAFT MAIN - REAR                 | 78  | 12     |
| 85719     | BEARING CRANKSHAFT MAIN                       | 90  | 12     | 85784A1   | FLAME ARRESTOR                                 | 40  | 18     |
| 85784A1   | FLAME ARRESTOR                                | 44  | 17     | 85803     | VALVE EXHAUST                                  | 76  | 26     |
| 86015     | GASKET FLYWHEEL HOUSING COVER                 | 108 | 11     | 8613291   | SERVICE MANUAL Engine Manual                   | 2   | -      |
| 86137     | SERVICE MANUAL Stern Drive                    | 2   | -      | 86234A4   | PUMP ASSEMBLY Fuel                             | 40  | 1      |
| 86270A1   | FLAME ARRESTOR                                | 40  | 18     | 8635      | ROTOR ASSEMBLY                                 | 12  | 16     |
| 8636      | STATOR ASSEMBLY                               | 12  | 10     | 8637      | PULLEY DRIVE END FRAME                         | 12  | 3      |
| 8637      | PULLEY  | 16  | 3      | 8638      | THRU BOLT                                      | 12  | 31     |

# PARTS INDEX

| Part No. | Description                                | Pg. | Ref.no | Part No. | Description                                   | Pg. | Ref.no |
|----------|--|-----|--------|----------|---|-----|--------|
| 86400    | WASHER FLAME ARRESTOR STUD                 | 40  | 24     | 86400    | WASHER FLAME ARRESTOR STUD                    | 44  | 20     |
| 87268    | CLAMP HOSE ATTACHING                       | 60  | 40     | 87300T   | BRACKET STARTER MOTOR                         | 4   | 5      |
| 87581    | DISTRIBUTOR ASSEMBLY COMPLETE              | 32  | 1      | 87597    | SHAFT AND PLATE                               | 32  | 4      |
| 8767     | FILTER KIT Fuel                            | 48  | 8      | 87707    | GASKET DISTRIBUTOR                            | 32  | 24     |
| 87707    | GASKET DISTRIBUTOR                         | 38  | 4      | 87717A2  | TUBE Dipstick - OIL LEVER GAUGE               | 86  | 2      |
| 87717A2  | TUBE Dipstick - OIL LEVEL GAUGE            | 96  | 1      | 8775     | FLYWHEEL CRANKSHAFT                           | 84  | 25     |
| 8775     | FLYWHEEL CRANKSHAFT                        | 92  | 23     | 87956A1  | PARTIAL ENGINE (120-2.5L)                     | 78  | -      |
| 87959A1  | PARTIAL ENGINE (140-3.0L)                  | 90  | -      | 8872     | REPAIR KIT Carburetor                         | 48  | 12     |
| 8874     | AIR HORN KIT                               | 48  | 1      | 88743    | SCREW (.312-18 x .500) SPRING TO LEVER        | 62  | 6      |
| 8875     | FLOAT BOWL KIT                             | 48  | 2      | 8876     | THORTTLE BODY KIT                             | 48  | 3      |
| 8877     | CHOKE KIT                                  | 48  | 4      | 8878     | VENTURI CLUSTER KIT                           | 48  | 5      |
| 8879     | FLOAT KIT                                  | 48  | 9      | 8880     | PUMP KIT                                      | 48  | 10     |
| 8881     | NEEDLE AND SEAT KIT                        | 48  | 11     | 8882     | PISTON KIT                                    | 48  | 6      |
| 8883     | SCREW KIT                                  | 48  | 15     | 89879    | O-RING (.301 x .064) PRESSURE HOSE            | 98  | 6      |
| 89879    | O-RING (.301 x .064)                       | 100 | 6      | 90059    | SCREW (.375-16 x .875)                        | 58  | 30     |
| 90187    | SCREW (.375-16 x 1.250)                    | 58  | 30     | 9030     | PIN Float                                     | 50  | 17     |
| 9031     | FLOAT                                      | 50  | 16     | 9032     | SPRING FUEL STRAINER                          | 50  | 5      |
| 9033     | STRAINER                                   | 50  | 4      | 9034     | CONNECTOR INLET                               | 50  | 6      |
| 9035     | LEVER ACCELERATOR PUMP                     | 50  | 9      | 9036     | ARM ACCELERATOR PUMP                          | 50  | 13     |
| 9037     | ARM Choke                                  | 50  | 3      | 9038     | PLATE Baffle                                  | 50  | 15     |
| 9039     | WASHER PUMP LEVER                          | 50  | 10     | 9040     | WASHER PUMP LEVER                             | 50  | 11     |
| 9041     | ROD Pump                                   | 50  | 8      | 9042     | ROD Choke                                     | 50  | 7      |
| 9044     | PACKING SET                                | 50  | 31     | 9045     | SCREW KIT                                     | 50  | 30     |
| 9046     | PUMP KIT Pump A                            | 50  | 12     | 9047     | VENTURI                                       | 50  | 20     |
| 9048     | CAM FAST IDLE                              | 50  | 22     | 9049     | SHAFT FAST IDLE CAM                           | 50  | 23     |
| 9050     | JET (1.45MM) Main                          | 50  | 18     | 90507A12 | PUMP ASSEMBLY Power-Assisted Steering         | 98  | 1      |
| 90507A12 | PUMP ASSEMBLY Power-Assisted Steering      | 100 | 1      | 9051     | POWER JET                                     | 50  | 19     |
| 9052     | SCREW IDLE ADJUSTING                       | 50  | 25     | 90520    | SPACER PUMP MOUNTING SCREWS                   | 98  | 17     |
| 90520    | SPACER                                     | 100 | 17     | 9053     | SPRING IDLE ADJUSTING SCREW                   | 50  | 26     |
| 9054     | SPRING THORTTLE ADJUSTING SCREW            | 50  | 28     | 9060     | SCREW THROTTLE ADJSUTING                      | 50  | 27     |
| 9061     | GASKET SET                                 | 50  | 29     | 90665    | BEARING Ball DRIVE END FRAME                  | 18  | 8      |
| 90665    | BEARING Ball DRIVE END FRAME               | 22  | 8      | 90666    | PLATE BALL BEARING RETAINER                   | 18  | 9      |
| 90666    | PLATE BALL BEARING RETAINER                | 22  | 9      | 90667    | COLLAR SHAFT - BETWEEN FAN AND PULLEY         | 18  | 3      |
| 90667    | COLLAR SHAFT - BETWEEN FAN AND PULLEY      | 22  | 3      | 90668    | SCREEN Drive End Frame                        | 18  | 11     |
| 90668    | SCREEN Drive End Frame                     | 22  | 11     | 90669    | PULLEY DRIVE END FRAME                        | 18  | 4      |
| 90669    | PULLEY DRIVE END FRAME                     | 22  | 4      | 90670    | COVER ASSEMBLY SLIP RING END                  | 20  | 31     |
| 90670    | COVER ASSEMBLY SLIP RING END               | 24  | 31     | 90671    | CONNECTOR                                     | 20  | 34     |
| 90671    | CONNECTOR                                  | 24  | 34     | 90806    | SENDER  | 28  | 8      |
| 90949T   | TUBE Exhaust                               | 74  | 5      | 916011   | SEALER Red RTV (WHERE APPLICABLE)             | 78  | -      |
| 916011   | SEALER Red RTV                             | 90  | -      | 92152    | SPACER (.27 x .75 x .38)                      | 38  | 18     |
| 92497A3  | ALTERNATOR ASSEMBLY (55 Ampere) (MOTOROLA) | 4   | 16     | 92497A3  | ALTERNATOR ASSEMBLY (55 Ampere)               | 12  | -      |
| 92497A3  | ALTERNATOR ASSEMBLY (55 Ampere) (55 AMP)   | 16  | -      | 92850    | CLAMP POWER STEERING HOSES                    | 98  | 10     |
| 92850    | CLAMP FLYWHEEL HOUSING SCREW               | 108 | 17     | 9331512  | HOSE VENT                                     | 40  | 26     |
| 93582    | BREAKER Circuit - 60 Ampere                | 28  | 12     | 93906A2  | SHAFT OUTPUT                                  | 106 | 21     |
| 93908A1  | SHAFT ASSEMBLY INPUT                       | 106 | 12     | 93911A4  | HOUSING ASSEMBLY Shaft Extension Support      | 108 | 1      |
| 93914    | RING Retaining BALL BEARING                | 106 | 10     | 93915    | RING Retaining INPUT SHAFT                    | 106 | 14     |
| 93917A4  | COVER ASSEMBLY FLYWHEEL HOUSING            | 108 | 10     | 93918A1  | SHIELD Lower                                  | 106 | 16     |
| 93919A1  | SHIELD Upper                               | 106 | 18     | 93920    | PLATE FLYWHEEL HOUSING                        | 108 | 20     |
| 93921    | EXPANSION PLUG                             | 106 | 13     | 93923A1  | MOUNT ASSEMBLY ENGINE                         | 108 | 5      |
| 93924    | SEAL                                       | 106 | 8      | 93925A1  | PLATE EXHAUST SEPARATOR                       | 104 | 21     |
| 93944A1  | BEARING                                    | 106 | 9      | 94018A1  | ELBOW ASSEMBLY Exhaust                        | 104 | 7      |
| 9407     | SEAT KIT Inlet                             | 50  | 14     | 94103    | RING EXTERNAL                                 | 106 | 29     |
| 94104    | RING Retaining BALL BEARING, INTERNAL      | 106 | 23     | 94227A2  | RESISTOR WIRE KIT (TO REPLACE RESISTER WIRE)  | 30  | 25     |
| 94330    | NUT (.250-20) Brass                        | 28  | 22     | 94435    | BOLT (.375-16 x 4.600) STARTER MOTOR MOUNTING | 4   | 3      |
| 9459     | CAP Distributor                            | 32  | 22     | 94608A1  | TUBE ASSEMBLY Exhaust                         | 104 | 12     |
| 94819A3  | DRIVESHAFT ASSEMBLY                        | 106 | 1      | 9562A1   | CARBURETOR ASSEMBLY                           | 40  | 13     |
| 9562A1   | CARBURETOR ASSEMBLY (MERCARB)              | 44  | 12     | 9562A1   | CARBURETOR ASSEMBLY                           | 50  | -      |
| 9566     | FLANGE ASSEMBLY (OLD DESIGN)               | 50  | 24     | 95740    | STRAP Ground EXHAUST BELLOWS                  | 104 | 15     |
| 95805    | CAP POWER STEERING PUMP                    | 98  | 2      | 95805    | CAP   | 100 | 2      |

# PARTS INDEX

| Part No. | Description  | Pg. | Ref.no | Part No. | Description  | Pg. | Ref.no |
|----------|--|-----|--------|----------|--|-----|--------|
| 95862A5  | MANIFOLD ASSEMBLY Exhaust                                      | 54  | 1      | 95870A4  | PIPE ASSEMBLY Exhaust LOWER                                  | 72  | 10     |
| 95966    | BUSHING COUPLING   | 106 | 26     | 96107A1  | PIPE ASSEMBLY Exhaust UPPER                                  | 72  | 4      |
| 96108    | STUD SHIFT BRACKET   | 62  | 3      | 96109    | STUD EXHAUST MANIFOLD TO CYLINDER HEAD (5-3/8"               | 54  | 7      |
| 96112    | STUD (.250-28 x 2.00) Throttle Cable Anchor-SHIFT CABLE        | 62  | 23     | 96112    | STUD (.250-28 x 2.00) Throttle Cable Anchor-SHIFT CABLE      | 64  | 12     |
| 96112    | STUD (.250-28 x 2.00) Throttle Cable Anchor-SHIFT CABLE        | 66  | 12     | 96113    | SCREW (#10-32 x .880) Stainless Steel TERMINAL BLOCK         | 62  | 17     |
| 96113    | SCREW (#10-32 x .880) Stainless Steel TERMINAL BLOCK           | 64  | 21     | 96113    | SCREW (#10-32 x .880) Stainless Steel TERMINAL BLOCK         | 66  | 21     |
| 96158    | SOLENOID Starter   | 28  | 17     | 96274    | GASKET FLYWHEEL HOUSING                                      | 102 | 10     |
| 96428A1  | LEVER THROTTLE   | 68  | 1      | 96429    | GASKET EXHAUST MANIFOLD TO CYLINDER HEAD                     | 54  | 17     |
| 96429    | GASKET EXHAUST MANIFOLD TO CYLINDER HEAD                       | 58  | 13     | 96430    | SHOULDER SCREW CABLE ATTACHING                               | 54  | 16     |
| 96430    | SHOULDER SCREW SHOULDER - CABLE ATTACHING                      | 76  | 29     | 96430    | SHOULDER SCREW CABLE ATTACHING                               | 88  | 29     |
| 96457    | WASHER Phenolic (.27 x .81 x .062) FUSE STUD                   | 4   | 13     | 96457    | WASHER Phenolic (.27 x .81 x .062) BOOT ATTACHING (PHENOLIC) | 4   | 25     |
| 9655     | PUMP KIT Accelerator Pump B                                    | 50  | 12     | 9658     | E-RING   | 50  | 32     |
| 96762A1  | BRACKET OIL COOLER   | 56  | 34     | 96762A1  | BRACKET OIL COOLER   | 58  | 24     |
| 96762A1  | BRACKET  | 100 | 28     | 96764    | HOSE COOLER TO HOUSING - 5/8" I.D                            | 56  | 30     |
| 96764    | HOSE (.625 Inside Diameter)                                    | 100 | 24     | 96772A1  | BRACE POWER STEERING PUMP                                    | 98  | 11     |
| 96772A1  | BRACE  | 100 | 11     | 96783A1  | COOLER Oil   | 56  | 32     |
| 96783A1  | COOLER Oil   | 58  | 22     | 96783A1  | COOLER Oil   | 100 | 26     |
| 96790    | HOSE PRESSURE (FITTINGS ON BOTH ENDS)                          | 98  | 5      | 96790    | HOSE (Fitting On Both Ends)                                  | 100 | 5      |
| 96818    | BUSHING  | 98  | 19     | 96818    | BUSHING  | 100 | 19     |
| 96872A2  | BRACKET POWER STEERING PUMP                                    | 98  | 13     | 96872A2  | BRACKET  | 100 | 13     |
| 96879    | HOSE HOUSING TO WATER PUMP                                     | 56  | 49     | 96879    | HOSE HOUSING TO WATER PUMP                                   | 60  | 39     |
| 9689     | LEVER ASSEMBLY Throttle - With Stud (NEW DESIGN)               | 50  | 33     | 96911    | HOSE COOLER TO DRIVE UNIT - 5/8" I.D.                        | 54  | 29     |
| 96911    | HOSE (.625 Inside Diameter)                                    | 100 | 23     | 96995    | SCREW (.375-16 x .880) UPPER AND LOWER SHIELD                | 106 | 19     |
| 97224    | J CLIP INLET HOSE - ROCKER COVER SCREW                         | 76  | 10     | 97224    | J CLIP INLET HOSE - ROCKER COVER SCREW                       | 88  | 10     |
| 97257A1  | SENDER ASSEMBLY Water Temperature                              | 28  | 5      | 97335    | SEAL Oil - CRANKCASE COVER                                   | 86  | 15     |
| 97335    | SEAL Oil - CRANKCASE COVER                                     | 96  | 15     | 97661    | VALVE Intake-Standard INLET                                  | 88  | 26     |
| 97662    | VALVE INLET  | 88  | 26     | 97850    | ELBOW 90 Degree VENT HOSE                                    | 42  | 27     |
| 9810     | VENTURI  | 50  | 20     | 98192    | SHIM STARTER MOTOR   | 4   | 2      |
| 98253    | SCREW (.250-20 x .500)   | 108 | 12     | 98256    | SCREW (.250-28 x .500) STARTER SOLENOID                      | 28  | 18     |
| 98261    | SCREW (.375-16 x .750) BRACE TO MANIFOLD                       | 4   | 23     | 98422A10 | HARNESS ASSEMBLY (SHIFT COMPONENTS/ROCKER COVER)             | 28  | 1      |
| 98422A11 | HARNESS ASSEMBLY (DIGITAL IGNITION)                            | 28  | 1      | 98422A4  | HARNESS ASSEMBLY (SHIFT COMPONENTS/BRACKET)                  | 28  | 1      |
| 98428A2  | BRACKET MOUNTING (CONVENTIONAL IGNITION)                       | 28  | 4      | 98532A1  | STUD FLYWHEEL TO ENGINE COUPLING                             | 84  | 26     |
| 98532A1  | STUD FLYWHEEL TO ENGINE COUPLING                               | 92  | 24     | 98533    | NUT (.437-20) FLYWHEEL STUD                                  | 84  | 29     |
| 98533    | NUT (.437-20) FLYWHEEL STUD                                    | 92  | 27     | 98533    | NUT (.437-20) HOUSING SCREW                                  | 106 | 28     |
| 98626A3  | SEPARATOR  | 104 | 1      | 98646    | FITTING FUEL LINE  | 40  | 9      |
| 98794    | SCREW (.375-16 x 1.00) PLATE                                   | 104 | 22     | 98798    | STUD SHIFT CABLE   | 62  | 2      |
| 98798    | STUD SHIFT CABLE   | 64  | 2      | 98820    | SPACER SHIFT CABLE STUD                                      | 62  | 26     |
| 98820    | SPACER SHIFT CABLE STUD  | 64  | 9      | 98828    | SPACER RUBBER PAD  | 62  | 8      |
| 9884339  | HOSE ASSEMBLY (72.00 Inches Bulk) RETURN (FITTINGS ON ONE END) | 98  | 7      | 9884339  | HOSE ASSEMBLY (72.00 Inches Bulk)                            | 100 | 7      |
| 98851    | STUD SHIFT CABLE   | 62  | 21     | 98880    | SPRING SHIFT CABLE STUD                                      | 62  | 27     |
| 98880    | SPRING SHIFT CABLE STUD  | 64  | 7      | 98880    | SPRING SHIFT CABLE STUD                                      | 66  | 7      |
| 99179A1  | END CAP/LIFTING EYE EXHAUST MANIFOLD (REAR)                    | 54  | 12     | 99179A1  | END CAP/LIFTING EYE EXHAUST MANIFOLD (REAR)                  | 58  | 9      |
| 99237A10 | BRACKET ASSEMBLY (EARLY MODELS)                                | 62  | 1      | 99297A1  | MOUNT ASSEMBLY Rubber FLYWHEEL HOUSING                       | 102 | 2      |
| 99322    | SPACER RUBBER MOUNT - FLYWHEEL HOUSING                         | 102 | 3      | 99405    | NUT SHIELD SCREW   | 106 | 20     |
| 99417A2  | STARTER MOTOR ASSEMBLY   | 4   | 1      | 99417A2  | STARTER MOTOR ASSEMBLY                                       | 8   | -      |
| 99777    | GASKET EXHAUST ADAPTOR   | 54  | 21     | 997771   | GASKET EXHAUST ADAPTOR                                       | 58  | 15     |
| 99798A16 | MANIFOLD ASSEMBLY Exhaust                                      | 58  | 1      | 99798A9  | MANIFOLD ASSEMBLY Exhaust                                    | 54  | 1      |
| 99798A9  | MANIFOLD ASSEMBLY Exhaust                                      | 58  | 1      | N.S.S.   | Not Sold Separate PLATE, BEARING (DELCO-REMY #1956939)       | 8   | 7      |
| N.S.S.   | Not Sold Separate SHOE, POLE (DELCO-REMY #1931129)             | 8   | 12     | N.S.S.   | Not Sold Separate SHOE, POLE (DELCO-REMY #810601)            | 8   | 12     |



# PARTS INDEX

| Part No. | Description   | Pg. | Ref.no | Part No. | Description   | Pg. | Ref.no |
|----------|---|-----|--------|----------|---|-----|--------|
| N.S.S.   | Not Sold Separate SCREW, POLE SHOE TO FIELD COIL(DELCO-REMY #1968396) | 8   | 13     | N.S.S.   | Not Sold Separate THRU BOLT (DELCO-REMY #1939970)                     | 8   | 18     |
| N.S.S.   | Not Sold Separate THRU BOLT -W/EXTENSION (DELCO-REMY #194111)         | 8   | 18     | N.S.S.   | Not Sold Separate SCREW, BRUSH LEAD (DELCO-REMY #443527)              | 8   | 22     |
| N.S.S.   | Not Sold Separate DOWEL PIN-FIELD FRANE (DELCO-REMY #1985696)         | 8   | 25     | N.S.S.   | Not Sold Separate SHIFT LEVER (DELCO-REMY #1814529)                   | 10  | 27     |
| N.S.S.   | Not Sold Separate PIN (DELCO-REMY #1945804)                           | 10  | 30     | N.S.S.   | Not Sold Separate SCREW, SOLENOID SWITCH (DELCO-REMY #9413260)        | 10  | 35     |
| N.S.S.   | Not Sold Separate ALTERNATOR (DELCO-REMY #1103113)(37 AMP)            | 18  | -      | N.S.S.   | Not Sold Separate NUT, FAN AND PULLEY TO ROTOR (DELCO-REMY #1915172)  | 18  | 1      |
| N.S.S.   | Not Sold Separate LOCKWASHER, FAN/PULLEY NUT (DELCO REMY #1941978)    | 18  | 2      | N.S.S.   | Not Sold Separate FAN, DRIVE END FRAME (DELCO-REMY #1959703)          | 18  | 5      |
| N.S.S.   | Not Sold Separate COLLAR, DRIVE END FRAME (DELCO-REMY #1959991)       | 18  | 6      | N.S.S.   | Not Sold Separate SCREW, RETAINER PLATE (DELCO-REMY #1965104)         | 18  | 10     |
| N.S.S.   | Not Sold Separate FRAME ASSEMBLY, SLIP RING END (DELCO-REMY #1852101) | 18  | 29     | N.S.S.   | Not Sold Separate ALTERNATOR (DELCO-REMY #1105064)(42 AMP)            | 22  | -      |
| N.S.S.   | Not Sold Separate NUT, FAN AND PULLEY TO ROTOR (DELCO-REMY #1915172)  | 22  | 1      | N.S.S.   | Not Sold Separate LOCKWASHER, FAN/PULLEY NUT (DELCO-REMY #1941978)    | 22  | 2      |
| N.S.S.   | Not Sold Separate FAN, DRIVE END FRAME (DELCO-REMY #800594)           | 22  | 5      | N.S.S.   | Not Sold Separate COLLAR, DRIVE END FRAME (DELCO-REMY #1978250)       | 22  | 6      |
| N.S.S.   | Not Sold Separate SCREW, RETAINER PLATE (DELCO-REMY #1965104)         | 22  | 10     | N.S.S.   | Not Sold Separate SCREW, BRUSH HOLDER - GROUND (DELCO-REMY #1975737)  | 22  | 18     |
| N.S.S.   | Not Sold Separate FRAME ASSEMBLY, SLIP RING END (DELCO-REMY #1984460) | 22  | 29     | N.S.S.   | Not Sold Separate WASHER, CAM AND SHAFT (DELCO-REMY #817051)          | 32  | 6      |
| N.S.S.   | Not Sold Separate PLATE, MOUNTING (DELCO-REMY #1960814)               | 32  | 10     | N.S.S.   | Not Sold Separate SCREW, MOUNTING PLATE (DELCO-REMY #453461)          | 32  | 11     |
| N.S.S.   | Not Sold Separate SCREW, DISTRIBUTOR CAP (8-32)(DELCO-REMY #1954571)  | 32  | 23     | N.S.S.   | Not Sold Separate SCREW, DISTRIBUTOR CAP (10-32)(DELCO-REMY #1957573) | 32  | 23     |
| N.S.S.   | Not Sold Separate Air Horn Assembly                                   | 50  | 1      | N.S.S.   | Not Sold Separate Choke Housing Assembly                              | 50  | 2      |
| N.S.S.   | Not Sold Separate BODY, CARBURETOR                                    | 50  | 21     | N.S.S.   | Not Sold Separate SCREW, PULLEY TO CRANKCASE HUB (5/8&quot;)          | 82  | 24     |
| N.S.S.   | Not Sold Separate SCREW, PULLEY TO CRANKCASE HUB (3/8&quot;)          | 82  | 24     |          |   |     |        |