

TABLE OF CONTENTS

Mercury Marine [Updated: Sep. 9, 2020]

Sterndrive

Engines - Gas

3.7L (224 CU IN) L4 Mercury

3.7L (2 BBL.) MERCURY 224 I/L4

Cat.# 90-12488

MISCELLANEOUS PARTS/ACCESSORIES	1
STARTER MOTOR AND WIRING HARNESS	3
STARTER MOTOR ASSEMBLY	7
DISTRIBUTOR AND COIL	11
CARBURETOR AND FUEL PUMP (165-170-3.7L)	15
CARBURETOR (MERCARB) (165-170-3.7L)	17
CARBURETOR AND FUEL PUMP (180-190-3.7L/LX)	21
CARBURETOR (ROCHESTER) (180-190-3.7L/LX)	25
INTAKE MANIFOLD AND THROTTLE LINKAGE (165-170-3.7L)	27
INTAKE MANIFOLD (180-190-3.7L/LX)	31
EXHAUST MANIFOLD AND EXHAUST ELBOW (ALUMINUM)	33
EXHAUST MANIFOLD AND EXHAUST ELBOW (CAST IRON)	37
HEAT EXCHANGER	41
CYLINDER HEAD AND ROCKER COVER	43
CYLINDER BLOCK, OIL PUMP AND OIL PAN	47
CRANKSHAFT, FLYWHEEL AND ALTERNATOR	51
CAMSHAFT AND PISTON	53
FRONT COVER	55
FRONT MOUNT	57
FLYWHEEL HOUSING	59
SHIFT COMPONENTS (OLD DESIGN)	63
SHIFT BRACKET (NEW DESIGN)	65
SHIFT BRACKET NEW DESIGN - WITH SPRING GUIDE	67
EXHAUST ELBOW	69
POWER STEERING COMPONENTS	71
AUDIO WARNING SYSTEM	73

MISCELLANEOUS PARTS/ACCESSORIES

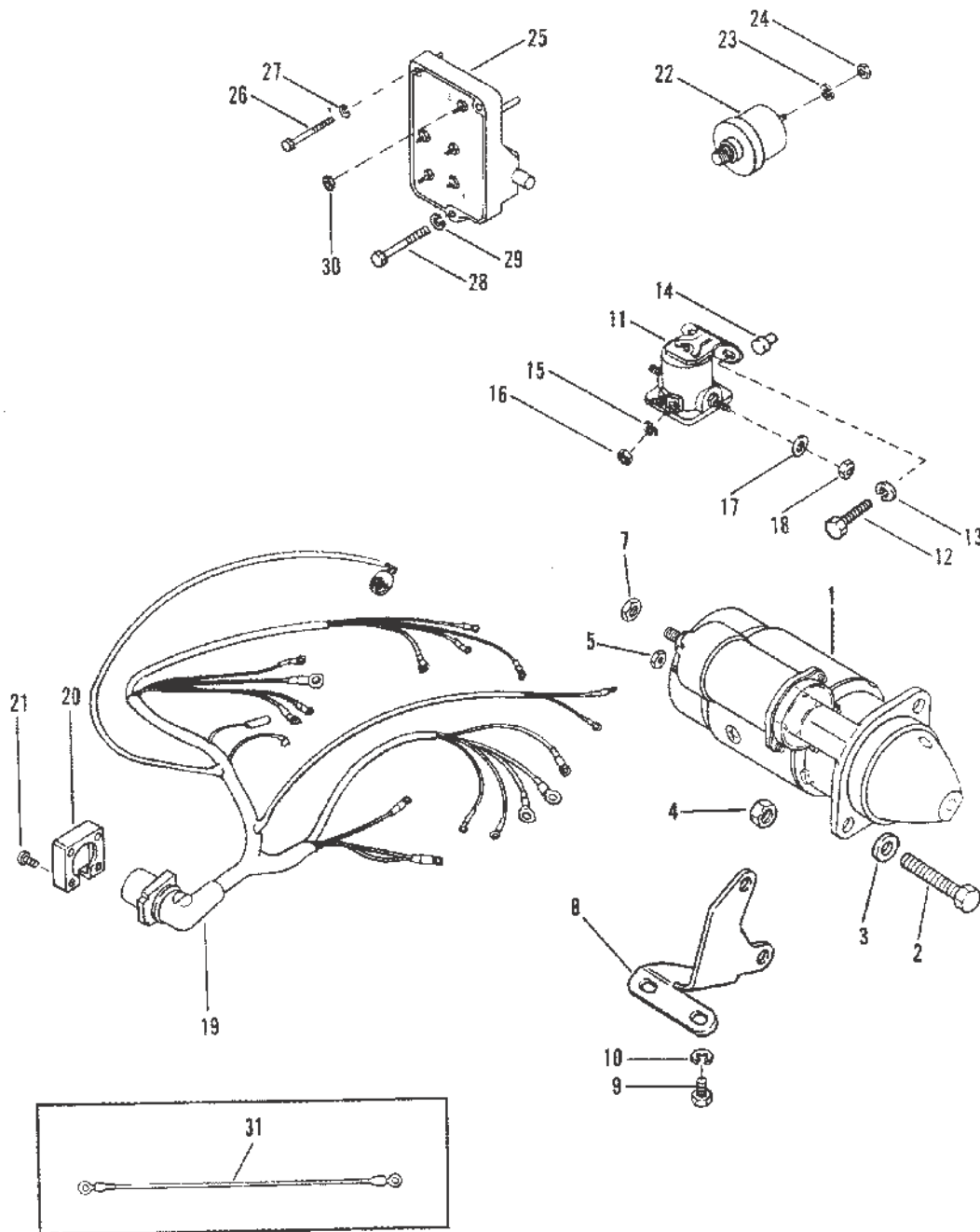
Cat.# 90-12488

MISCELLANEOUS PARTS/ACCESSORIES

Ref #	Part Class	Part Number	Description	Comments	Qty	Note
-	0090	12488	PARTS MANUAL 165 HP - 3.7L/170 HP/180 HP-3.7 L/LX/190 HP			
-	0090	42227890	OWNERS GUIDE			

MISCELLANEOUS PARTS/ACCESSORIES

STARTER MOTOR AND WIRING HARNESS



39453

RESOURCE NOTES:

Harness Adaptor Assembl - This kit is used to adapt "Ring Terminal" and "Bullet Connector" to wiring harnesses.

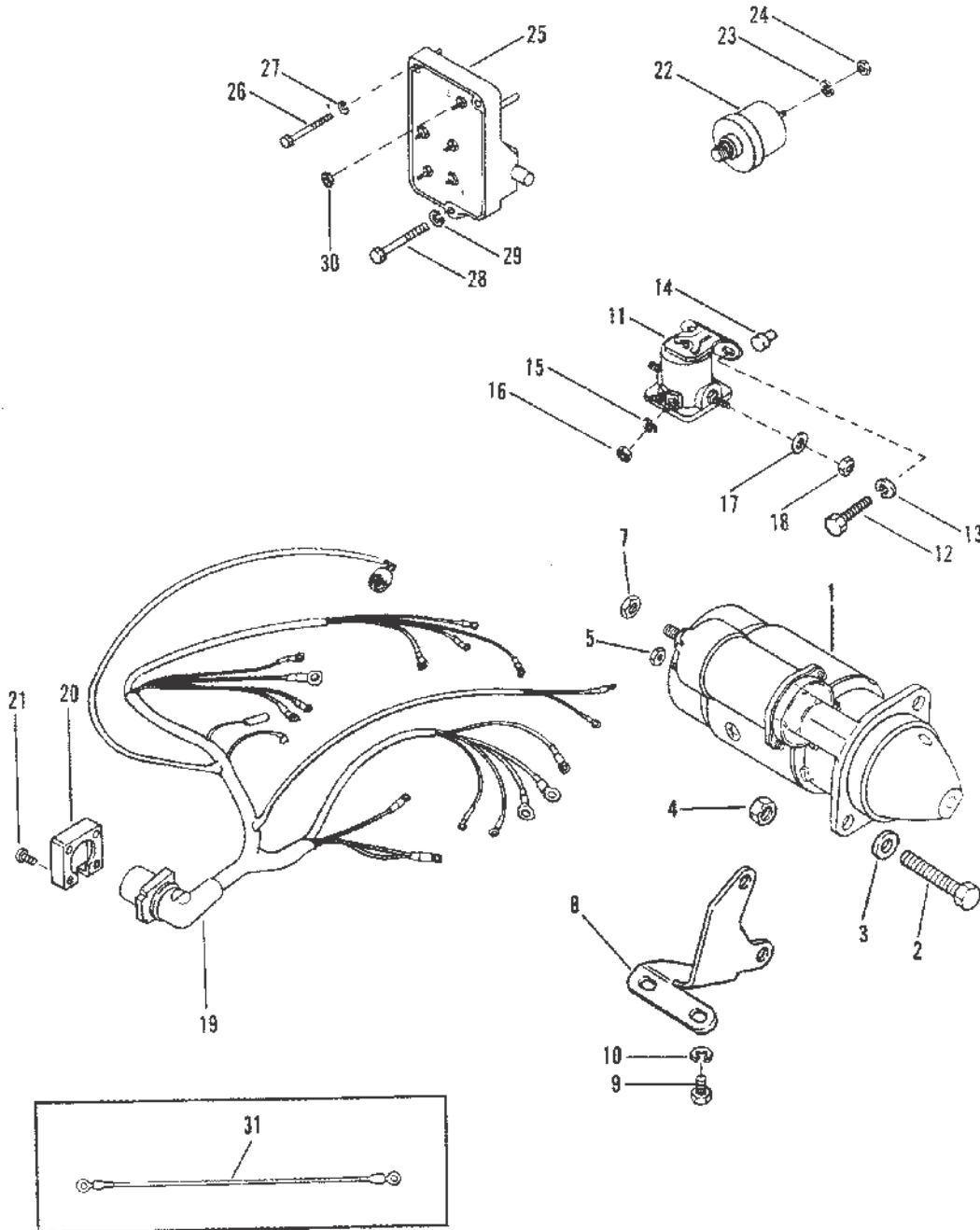
STARTER MOTOR AND WIRING HARNESS

STARTER MOTOR AND WIRING HARNESS

Ref #	Part Class	Part Number	Description	Comments	Qty	Note
1	0050	97499A2	STARTER MOTOR ASSEMBLY		1	[1]
2	0010	48130	SCREW (.375-16 x 4.500) STARTER MOTOR		2	
3	0012	25909	WASHER (.406 x .812 x .065) STARTER MOTOR SCREW		2	
4	0011	99405	NUT STARTER MOTOR SCREW		2	
5	0011	29031	NUT (1/4-20) STARTER MOTOR TERMINAL (1/4-20)		2	
7	0011	26419	NUT (#8-32) Brass STARTER MOTOR TERMINAL		2	
7	0011	15874	NUT (M10) BATTERY TERMINAL		1	
7	0011	400211	NUT (M5) Stainless Steel SOLENOID SWITCH TERMINAL		2	
8	0000	97259A1	BRACKET STARTER MOTOR TO CYLINDER BLOCK		1	
9	0010	98261	SCREW (.375-16 x .750) BRACKET TO CYLINDER BLOCK		2	
10	0013	35048	LOCKWASHER (.375) BRACKET SCREW		2	
11	0000	65057A1	SOLENOID ASSEMBLY Starter		1	
12	0010	28635	SCREW (.250-20 x .620) Stainless Steel SOLENOID TO CYLINDER BLOCK		2	
13	0013	26992	LOCKWASHER (.250) Stainless Steel SOLENOID SCREW		2	
14	0000	26901	BUMPER SOLENOID		1	
15	0013	26996	LOCKWASHER (#10) Stainless Steel SOLENOID TERMINAL		2	
16	0011	68219	NUT (#10-32) Stainless Steel SOLENOID TERMINAL		2	
17	0013	26993	LOCKWASHER (.312) SOLENOID TERMINAL		2	
18	0011	22053	NUT (.312-24) SOLENOID TERMINAL		2	
19	0084	98269A9	HARNESS ASSEMBLY		1	
20	0000	26079	PLATE	Metal	1	
20	0000	26079A2	PLATE KIT Wire Harness Mount	Plastic	1	
21	0010	34696	SCREW (#8-32 x .750) Use with Metal Plate		4	
21	0010	15001	SCREW (#8-16 x .875)	Use with Plastic Plate Kit	4	
22	0000	90806	SENDER OIL PRESSURE		1	
23	0013	26996	LOCKWASHER (#10) Stainless Steel SENDING UNIT TERMINAL		1	
24	0011	68219	NUT (#10-32) Stainless Steel SENDING UNIT TERMINAL		1	
25	0000	99502A9	REGULATOR ASSEMBLY Voltage		1	
26	0010	98255	SCREW (.250-20 x 2.25) VOLTAGE REGULATOR (2-1/4")		2	
27	0013	26992	LOCKWASHER (.250) Stainless Steel VOLTAGE REGULATOR SCREW		2	

STARTER MOTOR AND WIRING HARNESS

STARTER MOTOR AND WIRING HARNESS



39453

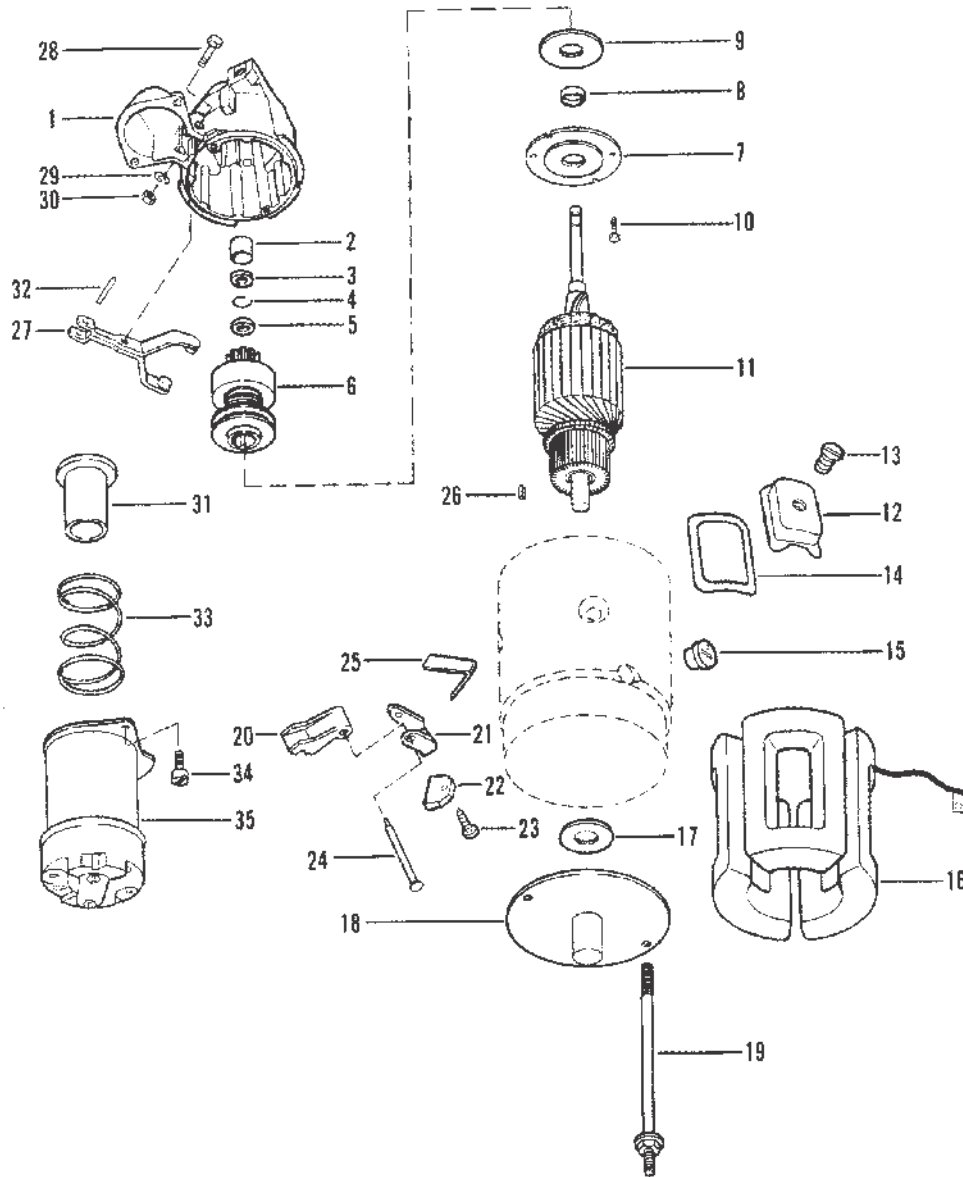
STARTER MOTOR AND WIRING HARNESS

Ref #	Part Class	Part Number	Description	Comments	Qty	Note
28	0010	34354	SCREW (.375-16 x 1.50) VOLTAGE REGULATOR		1	
29	0013	58643	LOCKWASHER (.375) VOLTAGE REGULATOR SCREW		1	
30	0011	68219	NUT (#10-32) Stainless Steel VOLTAGE REGULATOR TERMINALS		5	
31	0084	94227A2	RESISTOR WIRE KIT (TO REPLACE RESISTOR WIRE)		1	
-	0084	11149A5	HARNESS ASSEMBLY Adapter	(See Note)	1	

PART NOTES:

- [1] - Alternate part numbers:
 97499A 2QS
 97499R 3Reman

STARTER MOTOR ASSEMBLY



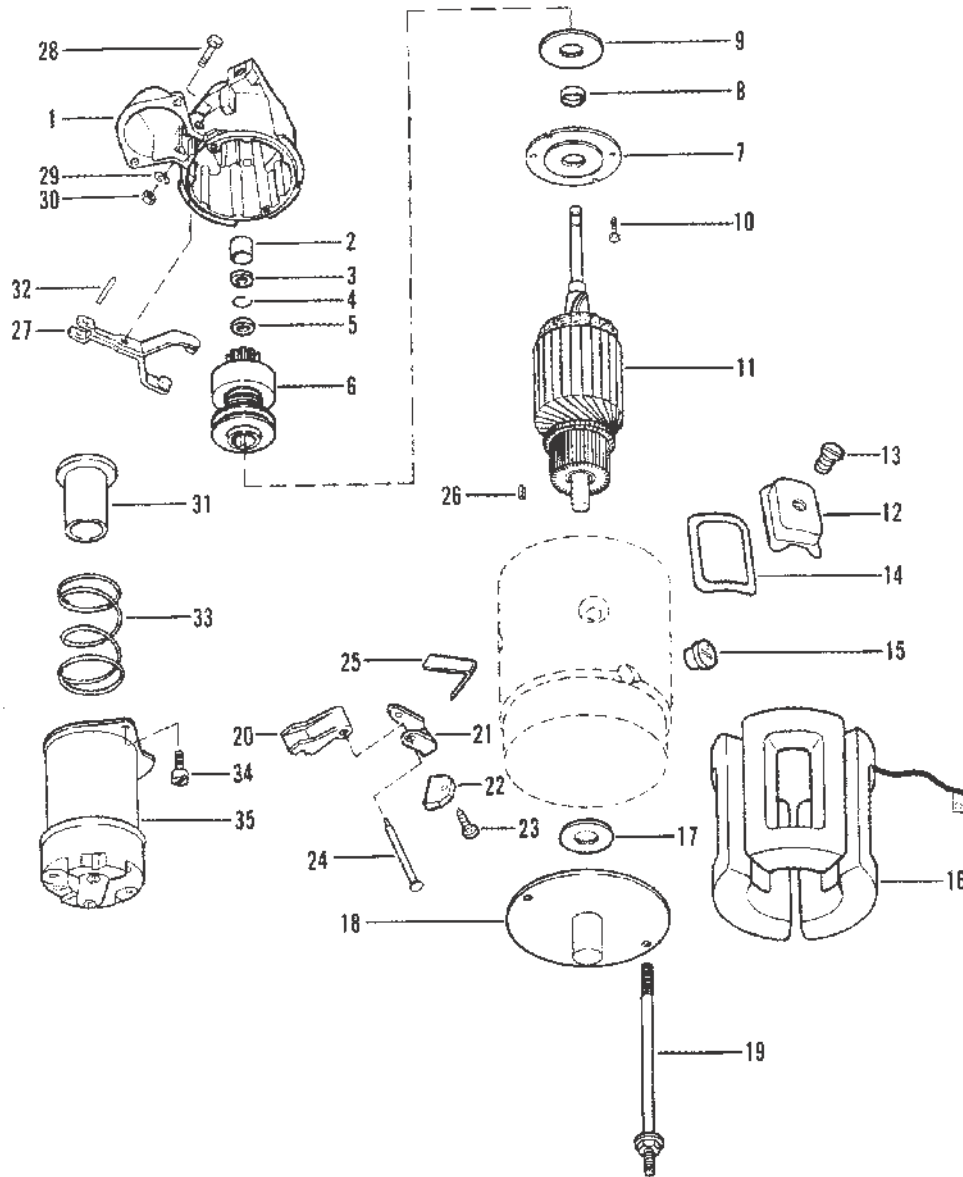
39454

STARTER MOTOR ASSEMBLY

Ref #	Part Class	Part Number	Description	Comments	Qty	Note
-	0050	97499A2	STARTER MOTOR ASSEMBLY		1	[1]
1	0000	79206	HOUSING ASSEMBLY Drive End		1	
2	0023	33278	BUSHING DRIVE END HOUSING		1	
3	0000	33292	COLLAR THRUST		1	
4	0053	33290	RING Retaining PINION STOP COLLAR		1	
5	0000	33291	COLLAR PINION STOP		1	
6	0000	68609	DRIVE ASSEMBLY CLUTCH		1	
7	0000	79396	PLATE BEARING		1	
8	0023	71694	BUSHING BEARING PLATE		1	
9	0012	68614	WASHER BEARING PLATE		1	
10	0010	79209	SCREW BEARING PLATE		2	
11		N.S.S.	Not Sold Separate ARMATURE (DELCO REMY #1852860)		1	
12		N.S.S.	Not Sold Separate SHOE, POLE - FIELD COIL (DELCO REMY #1931129)		4	
13		N.S.S.	Not Sold Separate SCREW, POLE SHOE TO FIELD COIL (DELCO REMY #1968396)		4	
14		N.S.S.	Not Sold Separate INSULATION, FIELD COIL (DELCO REMY #196832)		1	
15	0025	79208	GROMMET FIELD COIL - FIELD FRAME		1	
16	0000	79212	COIL ASSEMBLY		1	
17	0012	68613	WASHER LEATHER - COMMUTATOR END FRAME		1	
18	0000	79211	FRAME COMMUTATOR END - LOWER		1	
19		N.S.S.	Not Sold Separate THRU BOLT (DELCO REMY #1941111)		2	
20	0000	33284	HOLDER INSULATED - FIELD FRAME BRUSH		2	
21	0000	33283	HOLDER FIELD FRAME BRUSH GROUND		2	
22	0000	33270	BRUSH FIELD FRAME		4	
23		N.S.S.	Not Sold Separate SCREW, BRUSH LEAD (DELCO REMY #1967747)		2	
23		N.S.S.	Not Sold Separate SCREW, BRUSH LEAD (DELCO REMY #443527)		2	
24	0000	33294	SUPPORT GROUND AND INSULATED HOLDERS		2	
25	0024	33285	SPRING FIELD FRAME BRUSH		4	
26		N.S.S.	Not Sold Separate DOWEL PIN - FIELD FRAME (DELCO REMY #809593)		1	
27	0000	33297	LEVER SHIFT		1	
28		N.S.S.	Not Sold Separate STUD, SHIFT LEVER (DELCO REMY #1814529)		1	

STARTER MOTOR ASSEMBLY

STARTER MOTOR ASSEMBLY



39454

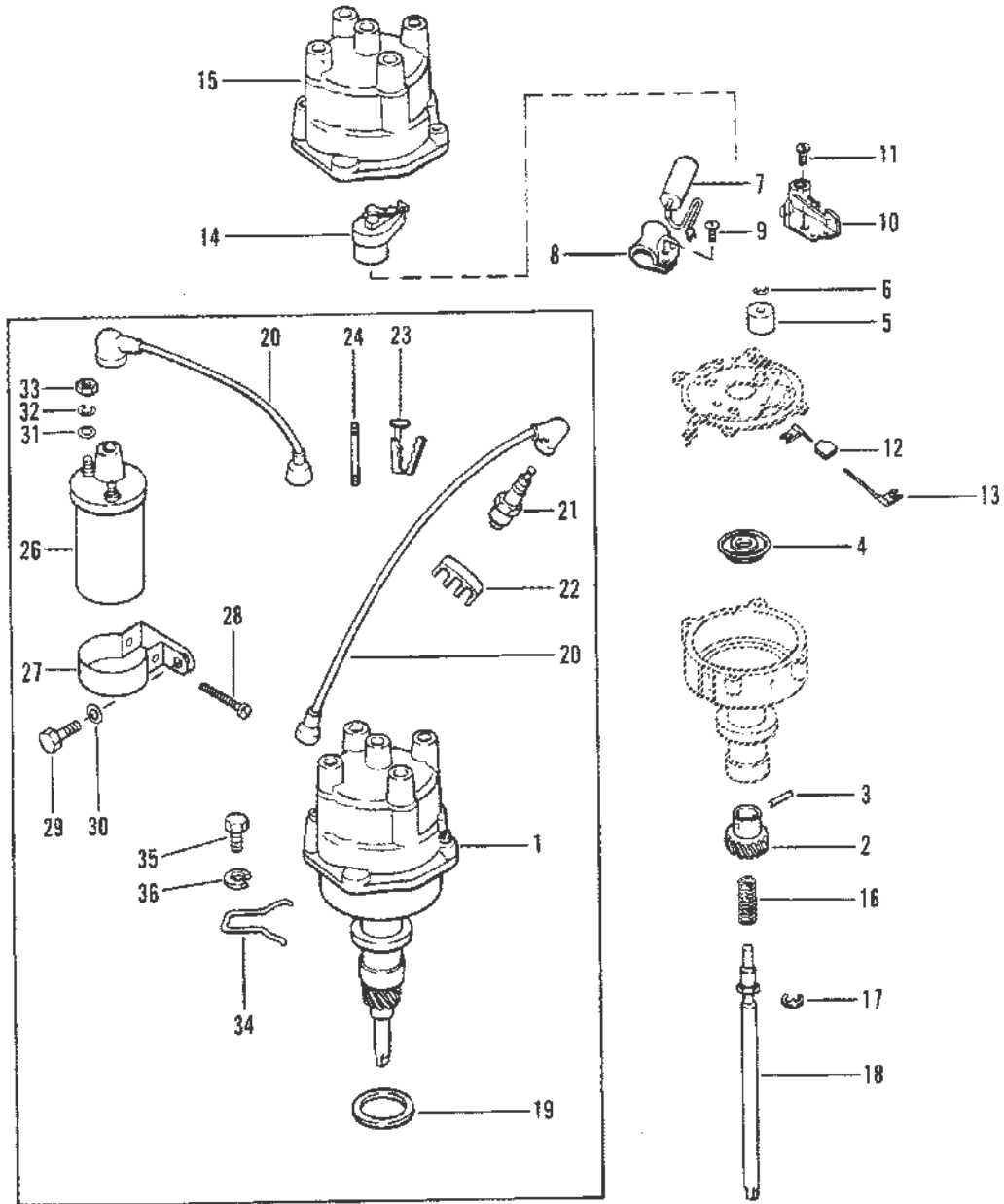
STARTER MOTOR ASSEMBLY

Ref #	Part Class	Part Number	Description	Comments	Qty	Note
29	0012	68615	WASHER SHIFT LEVER STUD		1	
30	0011	26484	NUT (.312-18) SHIFT LEVER STUD		1	
31		N.S.S.	Not Sold Separate PLUNGER, SHIFT LEVER (DELCO REMY #1978297)		1	
32	0017	79207	PIN PLUNGER TO SHIFT LEVER		1	
33		N.S.S.	Not Sold Separate SPRING, PLUNGER RETURN (DELCO REMY #1978281)		1	
34		N.S.S.	Not Sold Separate SCREW, SOLENOID SWITCH (DELCO REMY #9413260)		2	
35	0000	13037	SOLENOID SWITCH (4-1/4" LONG)		1	
35	0089	18080	SOLENOID SWITCH (3.625)		1	

PART NOTES:

- [1] - Alternate part numbers:
 97499A 2QS
 97499R 3Reman

DISTRIBUTOR AND COIL



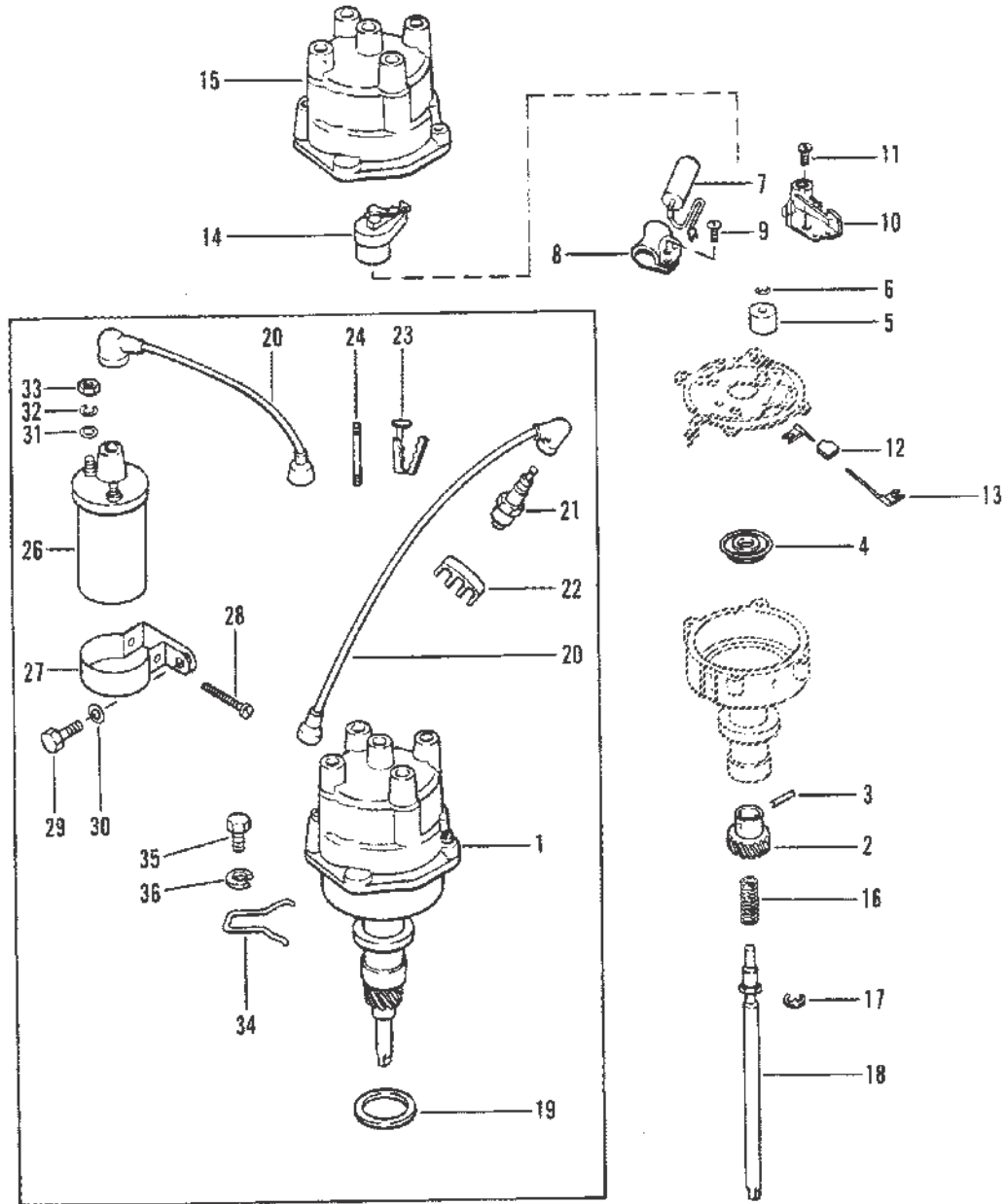
39455

DISTRIBUTOR AND COIL

Ref #	Part Class	Part Number	Description	Comments	Qty	Note
1	0000	85374A3	DISTRIBUTOR ASSEMBLY COMPLETE		1	
2	0043	735791	GEAR Drive		1	
3	0017	29077	PIN Roll DISTRIBUTOR GEAR		1	
4	0026	58219	SEAL HOUSING		1	
5	0000	33653	FELT LUBRICATOR		2	
6	0000	72654	RETAINER LUBRICATOR FELT		1	
7	0000	33662	CONDENSER		1	[1]
8	0000	48024	BRACKET CONDENSER		1	
9	0010	48021	SCREW CONDENSER BRACKET		1	
10	0000	34235	BREAKER ASSEMBLY		1	[2]
11	0010	33650	SCREW BREAKER		1	
12	0025	33666	GROMMET PRIMARY WIRE		1	
13	0000	33658	LEAD PRIMARY		1	
14	0000	58217	ROTOR		1	[3]
15	0393	9459	CAP Distributor		1	[4]
16	0024	73642	SPRING DISTRIBUTOR SHAFT		1	
17	0053	73499	LOCK RING DISTRIBUTOR SHAFT		1	
18	0000	73501	DRIVESHAFT DISTRIBUTOR SHAFT		1	
19	0027	344863	GASKET DISTRIBUTOR		1	[5]
20	0084	813720A6	SPARK PLUG WIRE KIT		1	[6]
21	0033	97389	SPARK PLUG		4	
22	0000	54676	RETAINER Two Wire HIGH TENSION LEADS		1	
23	0054	72821	RETAINER HIGH TENSION LEADS		1	
24	0016	73583	STUD HIGH TENSION LEAD CLAMP		1	
26	0000	32193A2	COIL ASSEMBLY IGNITION		1	
27	0000	65970	BRACKET IGNITION COIL		1	
28	0010	41408	SCREW (#10-32 x 1.50) BRACKET TO COIL		1	
29	0010	35386	SCREW (.312-18 x 1.00) IDNITION COIL TO CYLINDER BLOCK		1	
30	0012	20084	WASHER (.328 x .562 x .062) IGNITION COIL SCREW		1	
31	0012	30164	WASHER (.192 x .375 x .0312) Stainless Steel IGNITION COIL TERMINAL		2	
32	0013	26996	LOCKWASHER (#10) Stainless Steel IGNITION COIL TERMINAL		2	
33	0011	68219	NUT (#10-32) Stainless Steel IGNITION COIL TERMINAL		2	
34	0000	67511	CLAMP DISTRIBUTOR		1	
35	0010	35386	SCREW (.312-18 x 1.00) DISTRIBUTOR TO BLOCK		1	
36	0013	26993	LOCKWASHER (.312) DISTRIBUTOR SCREW		1	

DISTRIBUTOR AND COIL

DISTRIBUTOR AND COIL



39455

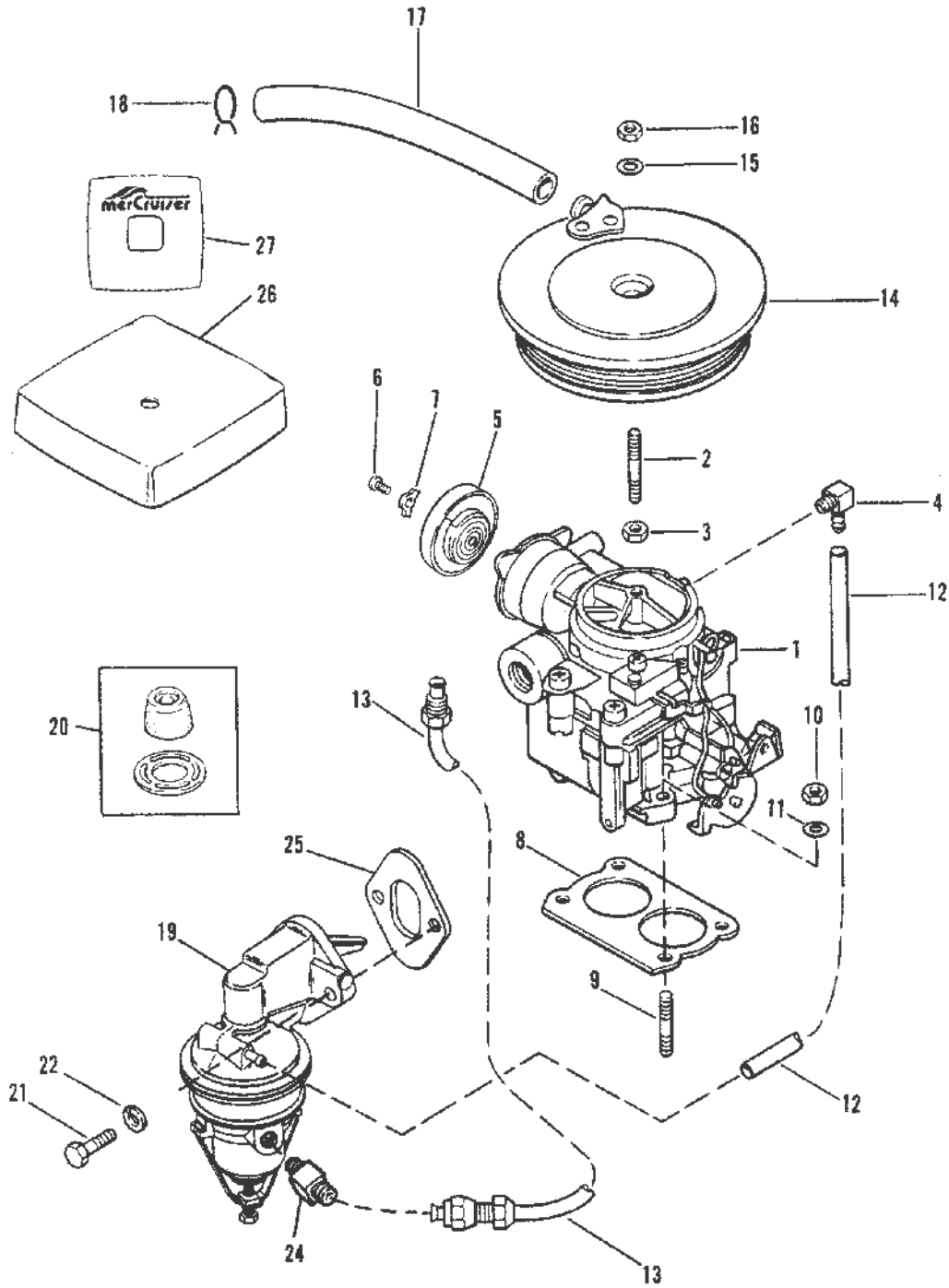
DISTRIBUTOR AND COIL

Ref #	Part Class	Part Number	Description	Comments	Qty	Note
-	0027	43186A1	GASKET SET		1	

PART NOTES:

- [1] - Alternate part numbers:
33662Service Part
33662QQS
- [2] - Alternate part numbers:
34235Service Part
34235Q 1QS Kit
34235T 1MPP Kit
- [3] - Alternate part numbers:
34235Q 1QS Kit
34235T 1MPP Kit
58217Service Part
58217BBulk Pack
58217QQS
- [4] - Alternate part numbers:
9459Service Part
9459Q 1QS
9459T 1MPP
- [5] - COMPONENT OF ENGINE/POWERHEAD GASKET SET 43186A 1
- [6] - Alternate part numbers:
813720A 6Service Part
816761K 6MPP
816761Q 6QS

CARBURETOR AND FUEL PUMP (165-170-3.7L)



39456

CARBURETOR AND FUEL PUMP (165-170-3.7L)

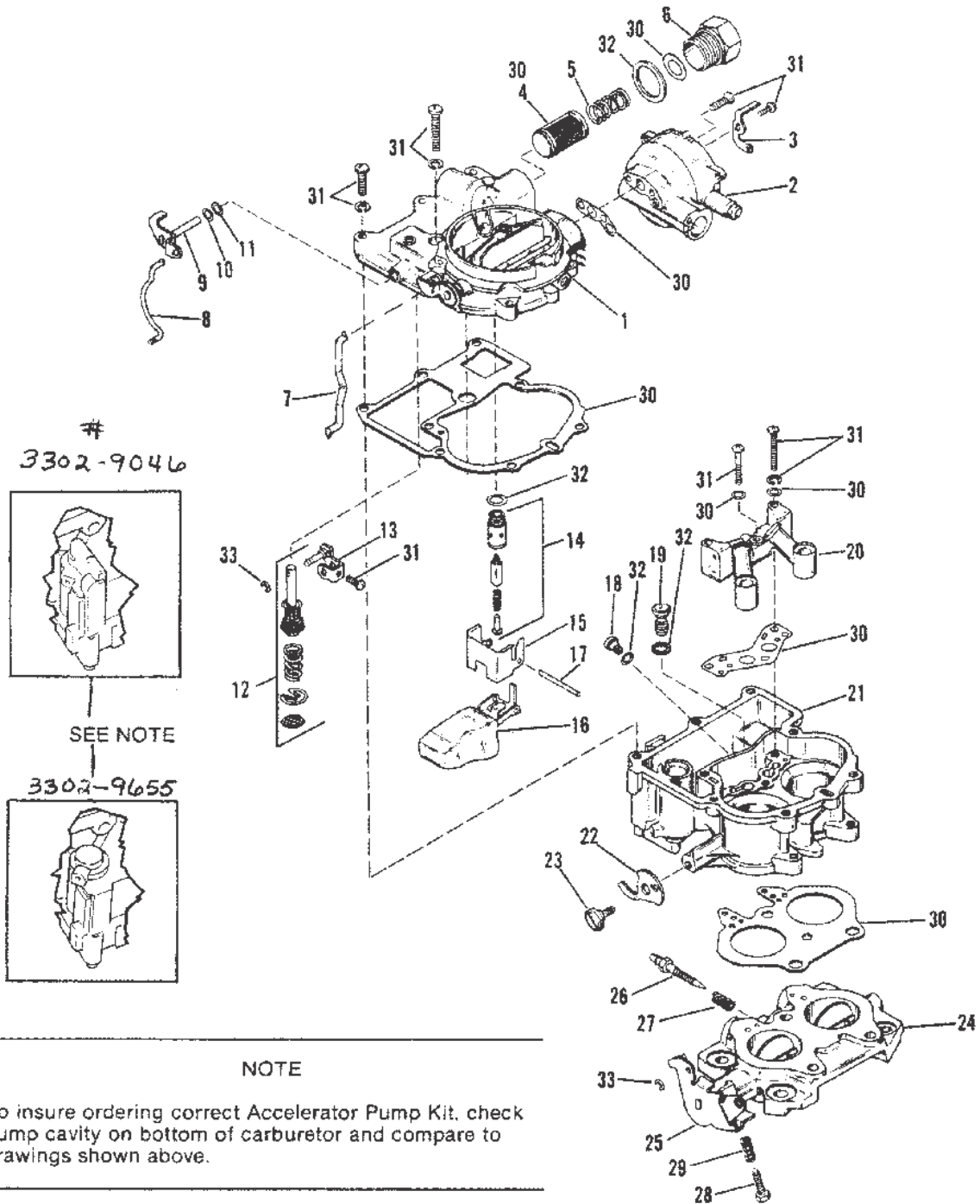
Ref #	Part Class	Part Number	Description	Comments	Qty	Note
1	1389	9564A1	CARBURETOR ASSEMBLY (MERCARB)		1	[1]
2	0016	70878	STUD (1/4 x 2.125) FLAME ARRESTOR (.250 x 2.125)	OLD DESIGN	1	
2	0016	18020	STUD FLAME ARRESTOR (.250-20 x 2.50)	NEW DESIGN	1	
3	0011	28941	NUT FLAME ARRESTOR STUD		1	
4	0022	54090	ELBOW HOSE - CARBURETOR VENT		1	
5	0000	70125A1	COVER Choke-CARBURETOR		1	
6	0010	33047	SCREW COVER CLIP		3	
7	0054	33036	RETAINER CARBURETOR COVER		3	
8	0027	70143	GASKET CARBURETOR		1	[2]
9	0016	70236	STUD (.312 x 1.500) CARBURETOR		4	
10	0011	25594	NUT (.9375-24) CARBURETOR STUD		4	
11	0012	20084	WASHER (.328 x .562 x .062) CARBURETOR STUD		4	
12	0032	7381563	HOSE (34.00 Inches Bulk) VENT		1	
13	0032	43187A3	LINE ASSEMBLY Fuel		1	
14	0000	85784A1	FLAME ARRESTOR		1	
15	0012	86400	WASHER FLAME ARRESTOR		1	
16	0011	20586	NUT (.250-28) FLAME ARRESTOR STUD		1	
17	0032	9331512	HOSE FLAME ARRESTOR TO ROCKER COVER		1	
18	0054	53101	CLAMP HOSE TO FLAME ARRESTOR		1	
19	0000	42725A3	PUMP ASSEMBLY Fuel Fuel		1	
20	0035	11004	FILTER		1	
21	0010	31984	SCREW (.312-18 x 1.375) FUEL PUMP		2	
22	0013	39107	LOCKWASHER (.312-24) FUEL PUMP SCREW		2	
24	0022	42897	FITTING STRAIGHT - FUEL PUMP		1	
25	0027	43186	GASKET FUEL PUMP		1	[2]
26	0000	17878A5	COVER Carburetor - FLAME ARRESTOR	NEW DESIGN	1	
27	0037	1372352	DECAL COVER (3.7L)	NEW DESIGN	1	
-	0027	43186A1	GASKET SET		1	

PART NOTES:

- [1] - Alternate part numbers:
860071R02Reman
9564A 1QS
- [2] - COMPONENT OF ENGINE/POWERHEAD GASKET SET 43186A 1

CARBURETOR AND FUEL PUMP (165-170-3.7L)

CARBURETOR (MERCARB) (165-170-3.7L)



39457

CARBURETOR (MERCARB) (165-170-3.7L)

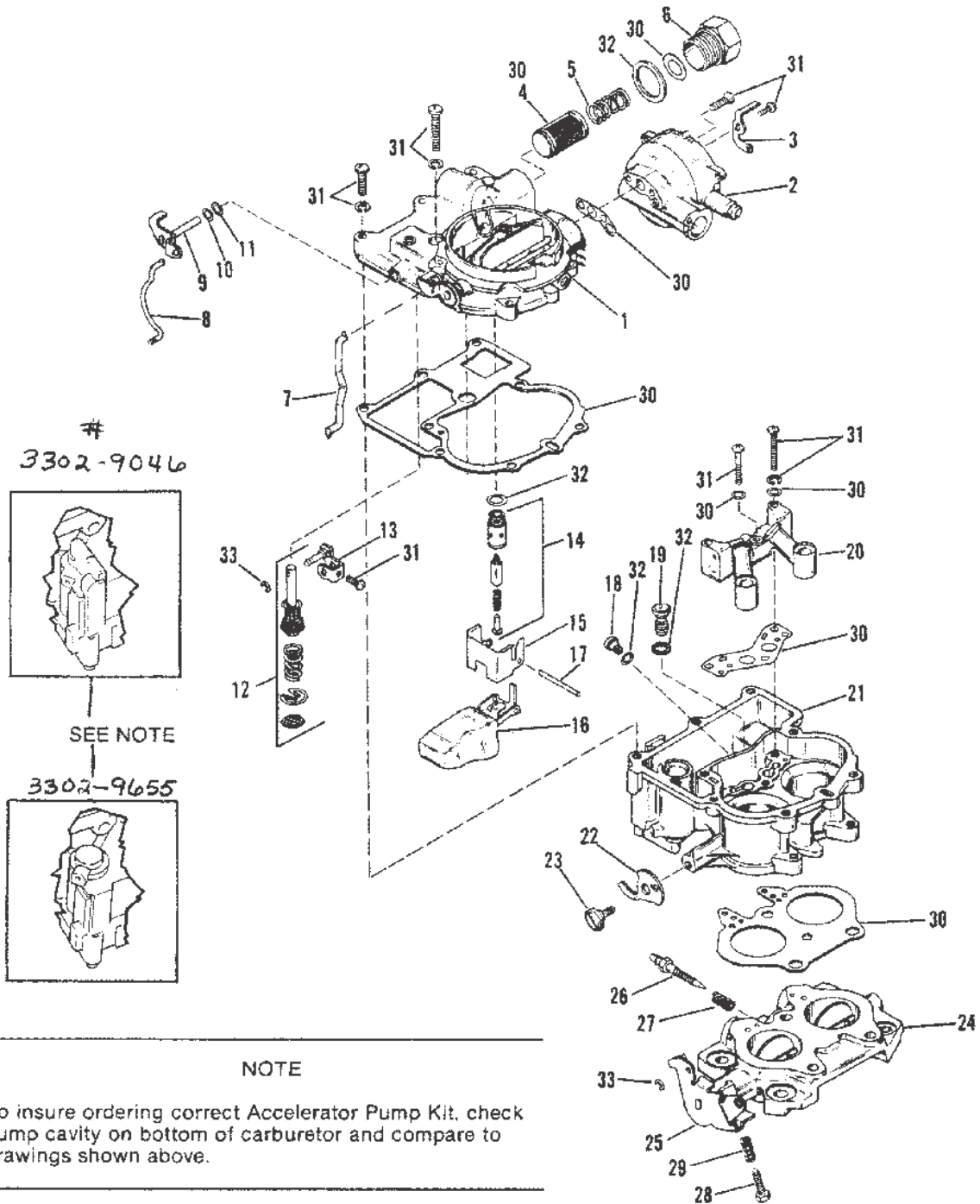
Ref #	Part Class	Part Number	Description	Comments	Qty	Note
-	1389	9564A1	CARBURETOR ASSEMBLY		1	[1]
1		N.S.S.	Not Sold Separate AIR HORN ASSEMBLY		1	
2		N.S.S.	Not Sold Separate CHOKE HOUSING ASSEMBLY		1	
3	3302	9037	ARM Choke		1	
4	3302	9033	STRAINER		1	
5	3302	9032	SPRING FUEL STRAINER		1	
6	3302	9034	CONNECTOR INLET		1	
7	3302	9042	ROD Choke		1	
8	3302	9041	ROD Pump		1	
9	3302	9035	LEVER ACCELERATOR PUMP		1	
10	3302	9039	WASHER PUMP LEVER		1	
11	3302	9040	WASHER PUMP LEVER		1	
12	3302	9046	PUMP KIT		1	[2]
12	3302	9655	PUMP KIT Accelerator		1	[3]
13	3302	9036	ARM ACCELERATOR PUMP		1	
14	3302	9407	SEAT KIT Inlet		1	
15	3302	9038	PLATE Baffle		1	
16	3302	9031	FLOAT		1	
17	3302	9030	PIN FLOAT		1	
18	3302	9058	JET Main		1	
19	3302	9059	JET POWER		1	
20	3302	9057	VENTURI		1	
21		N.S.S.	Not Sold Separate BODY, CARBURETOR		1	
22	3302	9048	CAM FAST IDLE		1	
23	3302	9049	SHAFT FAST IDLE CAM		1	
24	3302	9529	FLANGE ASSEMBLY		1	
25	3302	9528	SHAFT/LEVER ASSEMBLY Throttle		1	
26	3302	9052	SCREW IDLE ADJUSTING		1	
27	3302	9053	SPRING IDLE ADJUSTING SCREW		1	
28	3302	9060	SCREW THROTTLE ADJUSTING		1	
29	3302	9054	SPRING THROTTLE ADJUSTING SCREW		1	
30	3302	9061	GASKET SET		1	
31	3302	9045	SCREW KIT		1	
32	3302	9044	PACKING SET		1	
33	3302	9658	E-RING		2	

PART NOTES:

- [1] - Alternate part numbers:
860071R02Reman
9564A 1QS

CARBURETOR (MERCARB) (165-170-3.7L)

CARBURETOR (MERCARB) (165-170-3.7L)

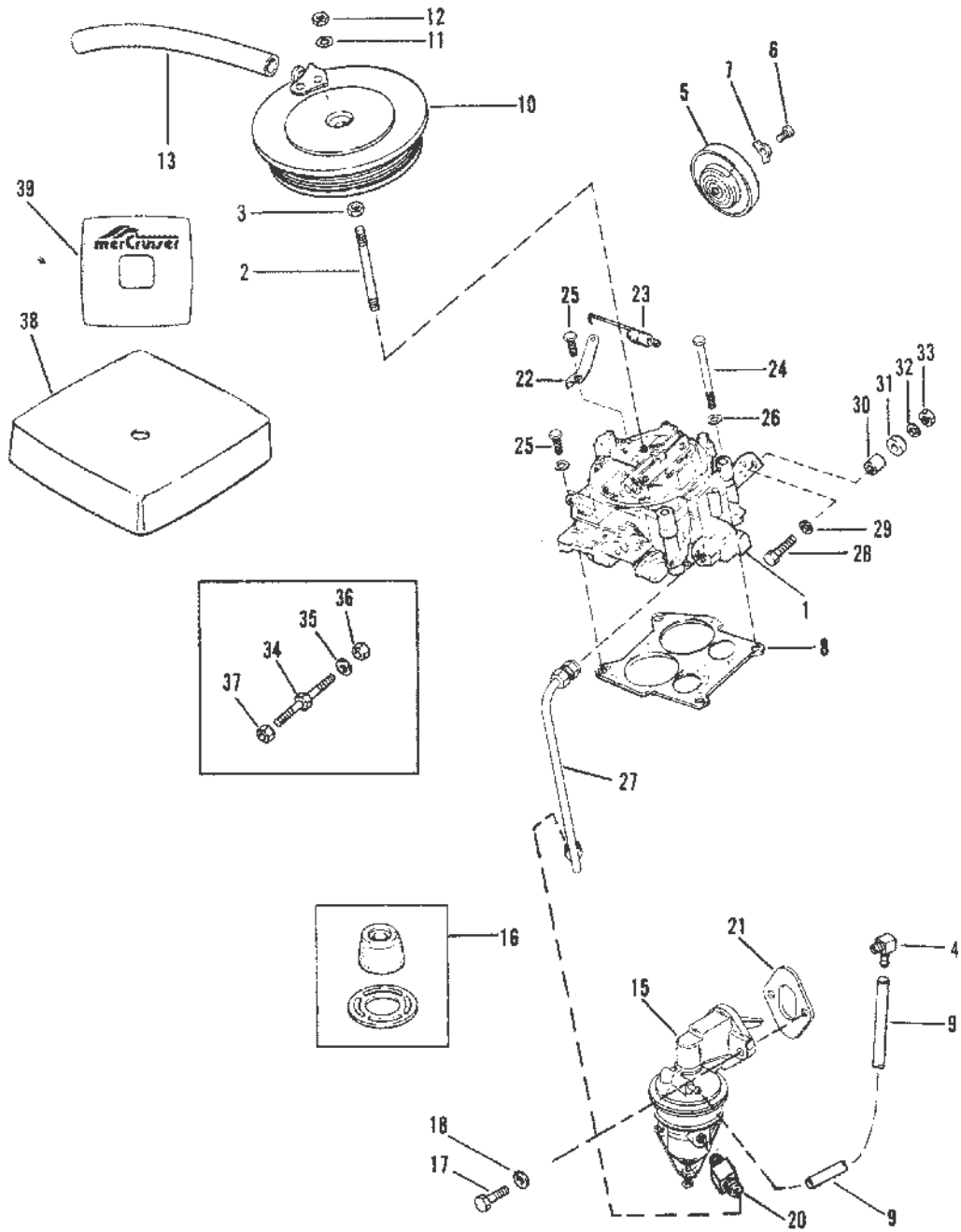


39457

CARBURETOR (MERCARB) (165-170-3.7L)

- [2] - Alternate part numbers:
 - 804845Kit
 - 9046Service Part
TO INSURE PROPER PUMP KIT IS ORDERED IDENTIFY ACCELERATOR PUMP CAVITY
- [3] - Alternate part numbers:
 - 804844002Kit
 - 9655Service Part
TO INSURE PROPER PUMP KIT IS ORDERED IDENTIFY ACCELERATOR PUMP CAVITY

CARBURETOR AND FUEL PUMP (180-190-3.7L/LX)



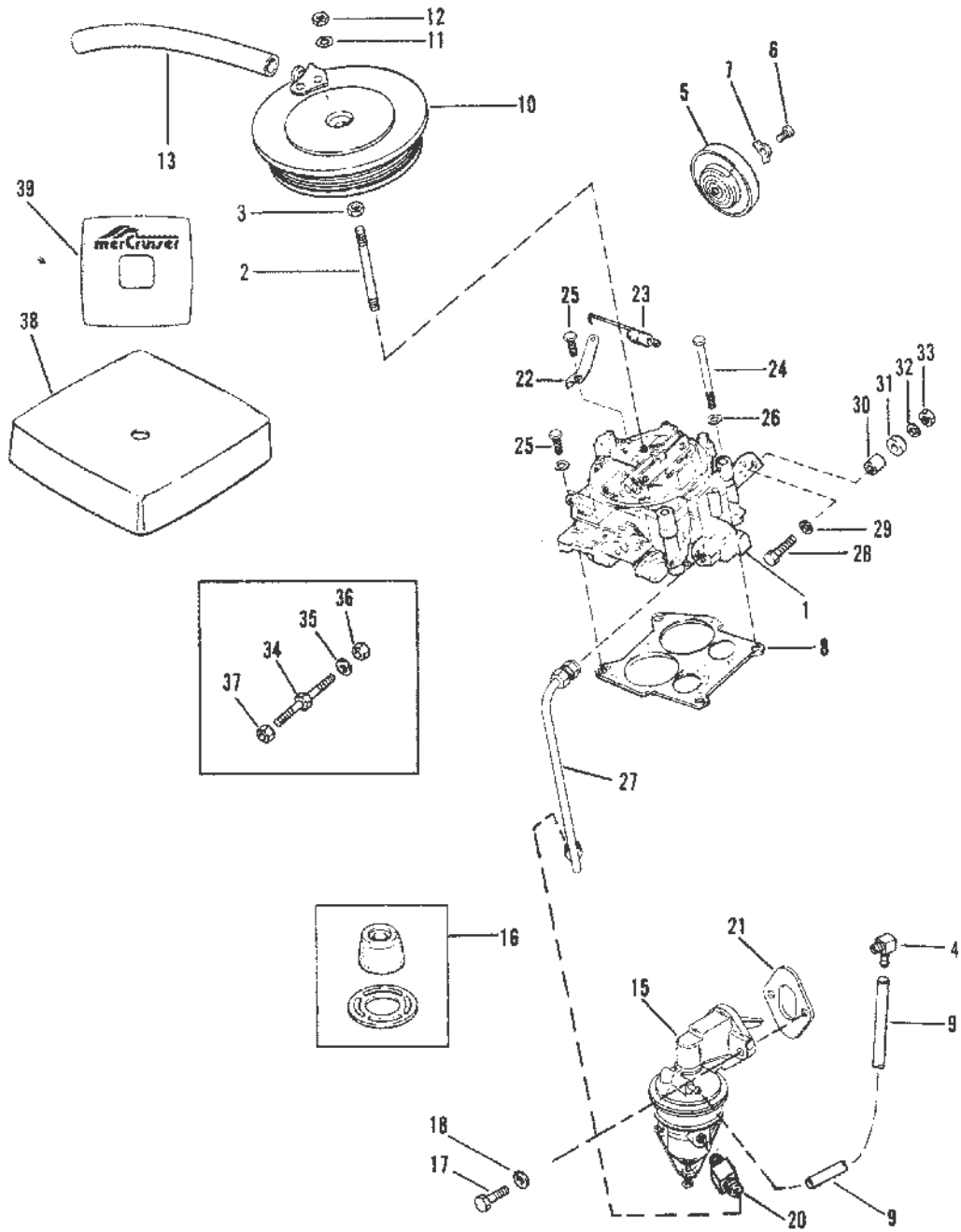
39458

CARBURETOR AND FUEL PUMP (180-190-3.7L/LX)

Ref #	Part Class	Part Number	Description	Comments	Qty	Note
1	1347	9142A2	CARBURETOR ASSEMBLY		1	
2	0016	91842	STUD FLAME ARRESTOR		1	
3	0011	28941	NUT FLAME ARRESTOR STUD		1	
4	0022	54090	ELBOW HOSE - CARBURETOR VENT		1	
5	0000	70125A1	COVER Choke-CARBURETOR		1	
6	0010	33047	SCREW COVER CLIP		3	
7	0054	33036	RETAINER CARBURETOR COVER		3	
8	0027	524571	GASKET CARBURETOR		1	[1]
9	0032	7381563	HOSE (34.00 Inches Bulk) VENT		1	
10	0000	41639A1	FLAME ARRESTOR		1	
11	0012	86400	WASHER FLAME ARRESTOR		1	
12	0011	20586	NUT (.250-28) FLAME ARRESTOR STUD		1	
13	0032	62060	HOSE Vent - FLAME ARRESTOR TO ROCKER COVER		1	
15	0000	42725A3	PUMP ASSEMBLY Fuel Fuel		1	
16	0035	11004	FILTER		1	
17	0010	31984	SCREW (.312-18 x 1.375) FUEL PUMP		2	
18	0013	39107	LOCKWASHER (.312-24) FUEL PUMP SCREW		2	
20	0022	42897	FITTING STRAIGHT - FUEL		1	
21	0027	43186	GASKET FUEL PUMP		1	[1]
22	0000	41659	ANCHOR THROTTLE RETURN SPRING		1	
23	0024	42350	SPRING THROTTLE RETURN		1	
24	0010	52743	SCREW (.312-18 x 3.750)		2	
25	0010	74824	SCREW (.312-18 x 1.250) CARBURETOR TO WEDGE		2	
26	0012	20084	WASHER (.328 x .562 x .062) CARBURETOR SCREW		3	
27	0032	44520A1	LINE ASSEMBLY Fuel PUMP		1	
28	0010	98509	SCREW THROTTLE CABLE	THROTTLE CABLE ATTACHES WITH SCREW	1	
29	0012	20128	WASHER THROTTLE CABLE SCREW	THROTTLE CABLE ATTACHES WITH SCREW	1	
30	0023	57938	BUSHING THROTTLE CABLE SCREW	THROTTLE CABLE ATTACHES WITH SCREW	1	
31	0023	34948	SPACER THROTTLE CABLE SCREW	THROTTLE CABLE ATTACHES WITH SCREW	1	
32	0012	56681	WASHER (.203 x .500 x .032)	THROTTLE CABLE ATTACHES WITH SCREW	1	
33	0011	20190	NUT (#10-32) THROTTLE CABLE SCREW	THROTTLE CABLE ATTACHES WITH SCREW	1	
34	0016	96112	STUD (.250-28 x 2.00) THROTTLE CABLE	THROTTLE CABLE ATTACHES WITH STUD	1	
35	0012	29245	WASHER (.281 x .500 x .060) Stainless Steel THROTTLE CABLE STUD	THROTTLE CABLE ATTACHES WITH STUD	2	

CARBURETOR AND FUEL PUMP (180-190-3.7L/LX)

CARBURETOR AND FUEL PUMP (180-190-3.7L/LX)



39458

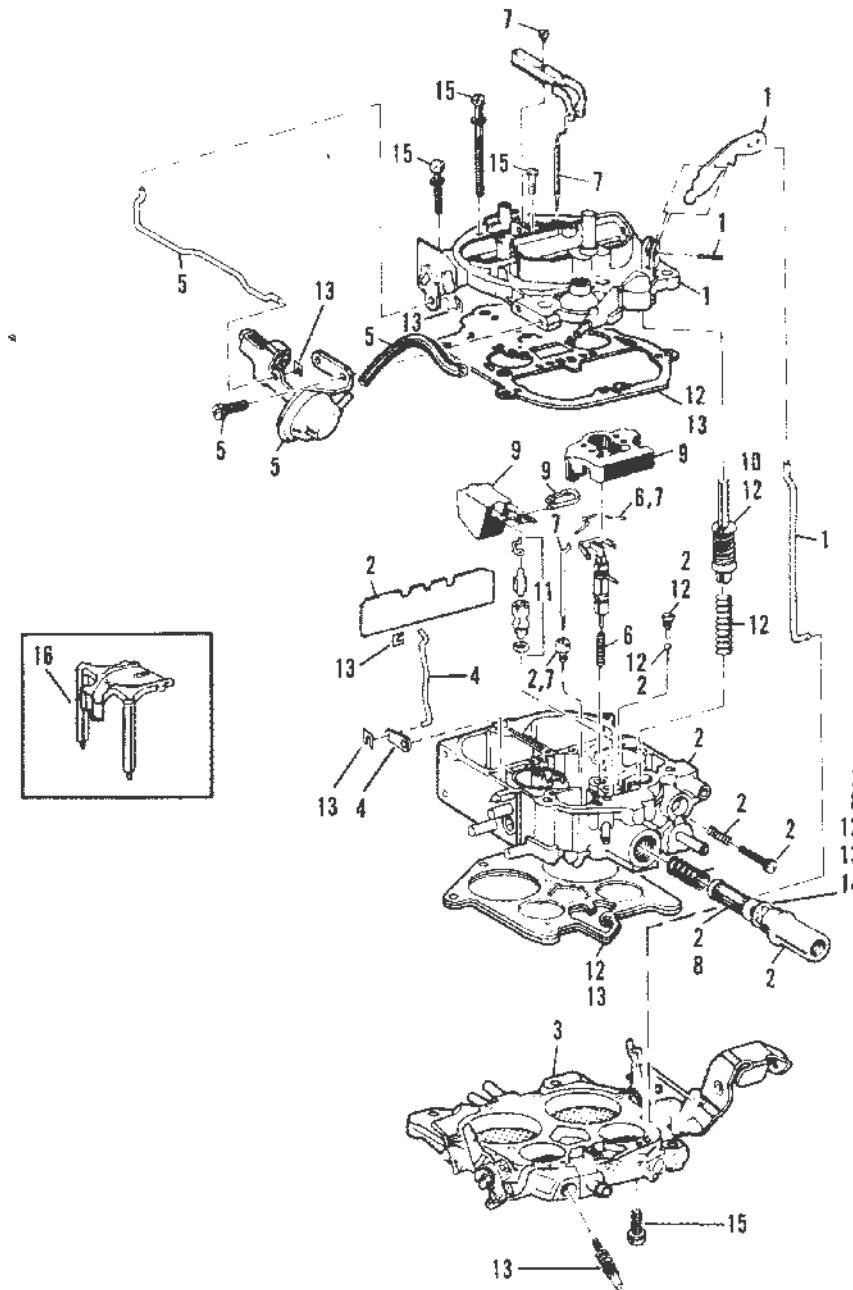
CARBURETOR AND FUEL PUMP (180-190-3.7L/LX)

Ref #	Part Class	Part Number	Description	Comments	Qty	Note
36	0011	20361	NUT (.250-28) THROTTLE CABLE STUD	THROTTLE CABLE ATTACHES WITH STUD	1	
37	0011	20586	NUT (.250-28) THROTTLE CABLE STUD	THROTTLE CABLE ATTACHES WITH STUD	1	
38	0000	17878A5	COVER Carburetor - FLAME ARRESTOR-	NEW DESIGN	1	
39	0037	1372354	DECAL COVER (3.7L/LX)	NEW DESIGN	1	
-	0027	43186A1	GASKET SET		1	

PART NOTES:

[1] - COMPONENT OF ENGINE/POWERHEAD GASKET SET 43186A 1

CARBURETOR (ROCHESTER) (180-190-3.7L/LX)



39459

RESOURCE NOTES:

Note: Do not use flange gasket included in kits. Order 27-52457--1.

CARBURETOR (ROCHESTER) (180-190-3.7L/LX)

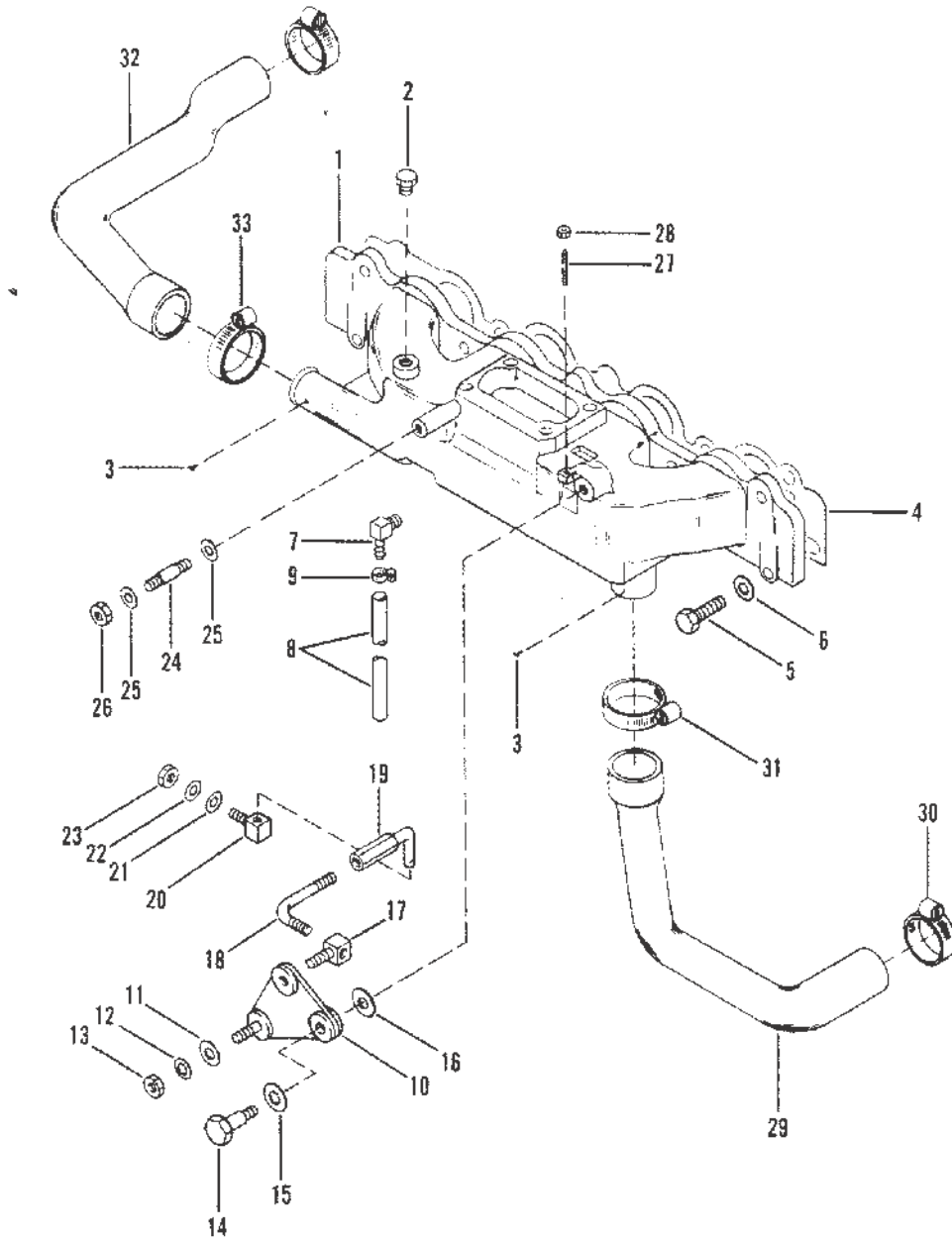
CARBURETOR (ROCHESTER) (180-190-3.7L/LX)

Ref #	Part Class	Part Number	Description	Comments	Qty	Note
-	1347	9142A2	CARBURETOR ASSEMBLY		1	
1	1397	9363	AIR HORN KIT		1	
2	1397	8954	FLOAT BOWL KIT		1	
3	1397	9364	THROTTLE BODY KIT		1	
4	1397	8955	LINK/LEVER KIT Choke		1	
5	1397	8956	PRIMARY VACUUM KIT		1	
6	1397	8957	PISTON KIT		1	
7	1397	9365	METERING JET AND ROD KIT		1	
8	1397	8767	FILTER KIT Fuel		1	[1]
9	1397	8959	FLOAT KIT		1	
10	1397	9669	PUMP KIT		1	
11	1397	8548	NEEDLE/SEAT KIT		1	
12	1397	8535	REPAIR KIT Carburetor	SEE NOTE	1	
13	1397	9723	GASKET KIT	SEE NOTE	1	
14	1397	8327	GASKET FUEL FILTER NUT		1	
15	1397	8557	SCREW KIT KIT, AIR HORN.THROTTLE BODY		1	
16	1397	9422	NOZZLE DEFLECTOR		1	
-	0027	524571	GASKET		1	

PART NOTES:

- [1] - Alternate part numbers:
8767Service Part
8767QQS
8767TMPP

INTAKE MANIFOLD AND THROTTLE LINKAGE (165-170-3.7L)



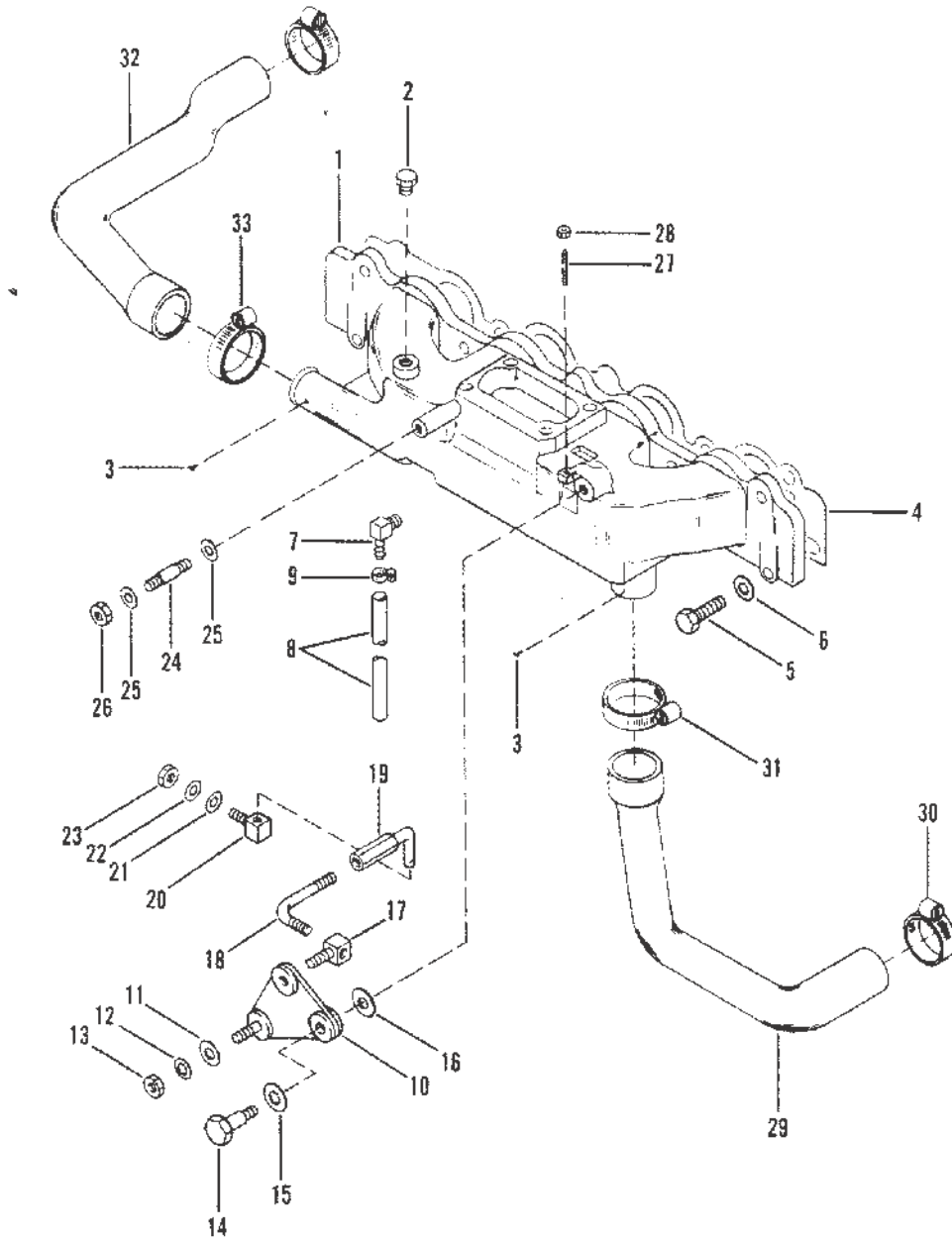
39460

INTAKE MANIFOLD AND THROTTLE LINKAGE (165-170-3.7L)

Ref #	Part Class	Part Number	Description	Comments	Qty	Note
1	0000	89953A2	MANIFOLD ASSEMBLY Intake		1	
2	0022	36382	FITTING (.250-18 x .62) Brass INTAKE MANIFOLD - TOP		1	
3	0010	28642	SCREW (#2 x 0.25) DRIVE - WATER TUPE FLANGE		4	
4	0027	70905	GASKET INTAKE MANIFOLD		1	[1]
5	0010	68101	SCREW (.375-16 x 1.375)		7	
6	0012	25909	WASHER (.406 x .812 x .065) INTAKE MANIFOLD SCREW		7	
7	0022	73817	CONNECTOR (90 Degree) INTAKE MANIFOLD		1	
8	0032	89713	HOSE INTAKE MANIFOLD TO RESERVIOR		1	
9	0054	54428	CLAMP HOSE ATTACHING		2	
10	0000	78801T	LEVER INTERMEDIATE THROTTLE		1	
11	0012	35950	WASHER (.273 x .437 x .031) Stainless Steel INTERMEDIATE THROTTLE STUD		1	
12	0012	30164	WASHER (.192 x .375 x .0312) Stainless Steel INTERMEDIATE THROTTLE STUD		1	
13	0011	20110	NUT (#10-32) INTERMEDIATE THROTTLE STUD		1	
14	0010	38507	SCREW (5/16-18 x 1.313) LEVER TO INTAKE MANIFOLD (1- 5/16")		1	
15	0012	20553	WASHER (.406 x .734 x .063) LEVER SCREW		1	
16	0012	57792	WASHER LEVER SCREW		1	
17	0000	27947	SWIVEL LINKAGE		1	
18	0000	64804	LINK ROD LINKAGE		1	
19	0000	63145A1	LINK ROD ASSEMBLY LINKAGE		1	
20	0000	38983	SWIVEL LINKAGE - CARBURETOR		1	
21	0012	35950	WASHER (.273 x .437 x .031) Stainless Steel SWIVEL LINKAGE - CARBURETOR		1	
22	0012	30164	WASHER (.192 x .375 x .0312) Stainless Steel SWIVEL LINKAGE - CARBURETOR		1	
23	0011	20110	NUT (#10-32) SWIVEL LINKAGE - CARBURETOR		1	
24	0016	38525	STUD THROTTLE CABLE ANCHOR		1	
25	0012	24664	WASHER (M4 x 20) THROTTLE CABLE ANCHOR STUD		2	
26	0011	20586	NUT (.250-28) THROTTLE CABLE ANCHOR STUD		1	
27	0010	64969	SCREW THROTTLE STOP		1	
28	0011	33122	NUT THROTTLE STOP SCREW		1	
29	0032	76326	HOSE INTAKE MANIFOLD TO WATER PUMP		1	

INTAKE MANIFOLD AND THROTTLE LINKAGE (165-170-3.7L)

INTAKE MANIFOLD AND THROTTLE LINKAGE (165-170-3.7L)



39460

INTAKE MANIFOLD AND THROTTLE LINKAGE (165-170-3.7L)

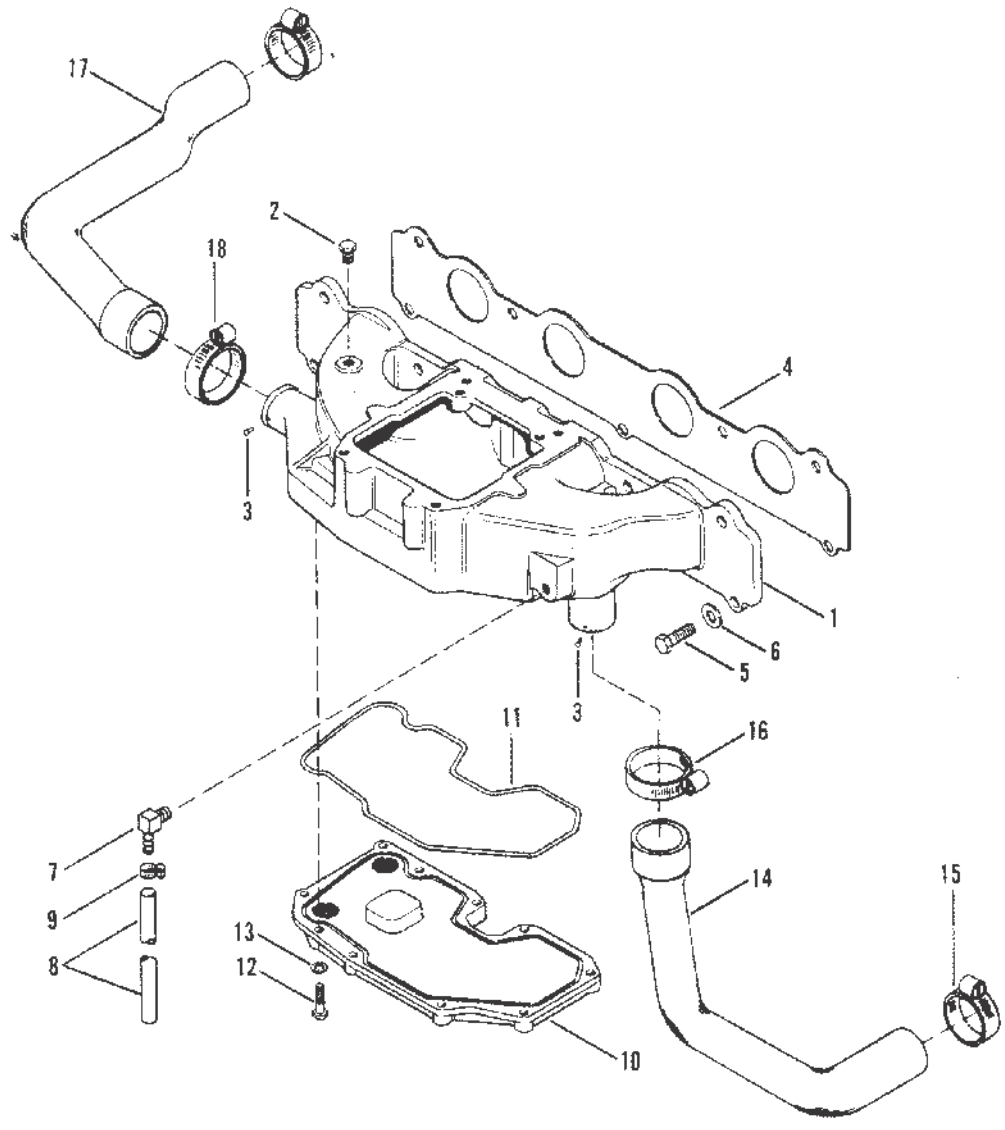
INTAKE MANIFOLD AND THROTTLE LINKAGE (165-170-3.7L)

Ref #	Part Class	Part Number	Description	Comments	Qty	Note
30	0054	32780	CLAMP HOSE TO WATER PUMP		1	
31	0054	32781	CLAMP HOSE TO INTAKE MANIFOLD		1	
32	0032	89655	HOSE INTAKE MANIFOLD		1	
33	0054	32781	CLAMP HOSE TO INTAKE MANIFOLD		2	
-	0027	43186A1	GASKET SET		1	

PART NOTES:

- [1] - COMPONENT OF ENGINE/POWERHEAD GASKET SET 43186A 1

INTAKE MANIFOLD (180-190-3.7L/LX)



39461

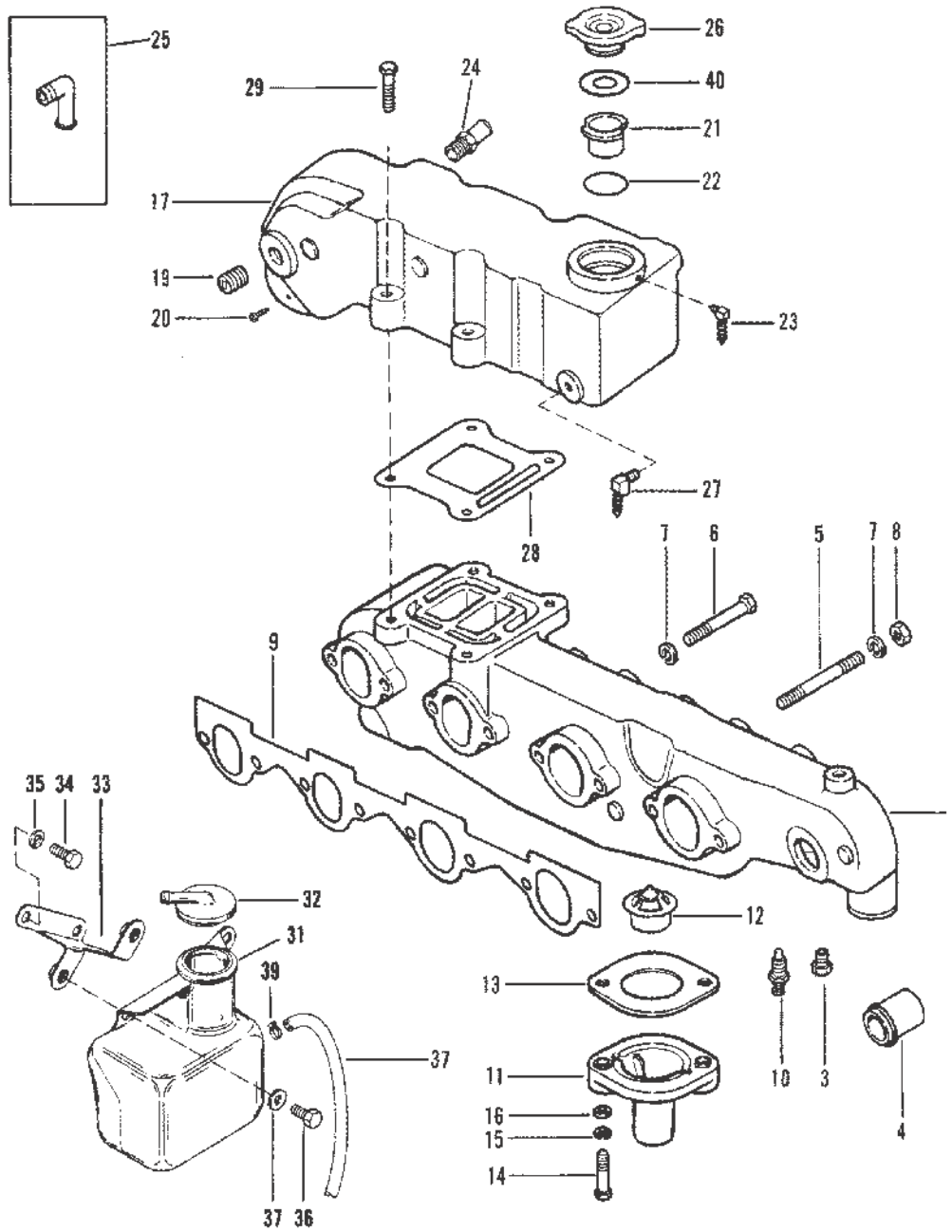
INTAKE MANIFOLD (180-190-3.7L/LX)

Ref #	Part Class	Part Number	Description	Comments	Qty	Note
1	0000	98348A4	MANIFOLD ASSEMBLY Intake		1	
2	0022	32802	PLUG Pipe (.125-27) INTAKE MANIFOLD - TOP		1	
3	0010	28642	SCREW (#2 x 0.25) WATER TUBE FLANGE		4	
4	0027	70905	GASKET INTAKE MANIFOLD		1	[1]
5	0010	68101	SCREW (.375-16 x 1.375)		7	
6	0012	25909	WASHER (.406 x .812 x .065) INTAKE MANIFOLD SCREW		5	
6	0012	55149	WASHER INTAKE MANIFOLD SCREW		2	
7	0022	73817	CONNECTOR (90 Degree) INTAKE MANIFOLD		1	
8	0032	89713	HOSE INTAKE MANIFOLD TO RESERVIOR		1	
9	0054	54428	CLAMP HOSE ATTACHING		2	
10	0000	98350A1	COVER OIL COOLER		1	
11	0025	42357	O-RING OIL COOLER COVER		1	[1]
12	0010	76596	SCREW (.250-20 x 1.250) OIL COOLER COVER		10	
13	0013	26992	LOCKWASHER (.250) Stainless Steel COVER SCREW		10	
14	0032	76326	HOSE INTAKE MANIFOLD TO WATER PUMP		1	
15	0054	32780	CLAMP HOSE TO WATER PUMP		1	
16	0054	32781	CLAMP HOSE TO INTAKE MANIFOLD		1	
17	0032	89655	HOSE INTAKE MANIFOLD		1	
18	0054	32781	CLAMP HOSE TO INTAKE MANIFOLD		2	
-	0027	43186A1	GASKET SET		1	

PART NOTES:

[1] - COMPONENT OF ENGINE/POWERHEAD GASKET SET 43186A 1

EXHAUST MANIFOLD AND EXHAUST ELBOW (ALUMINUM)



39462

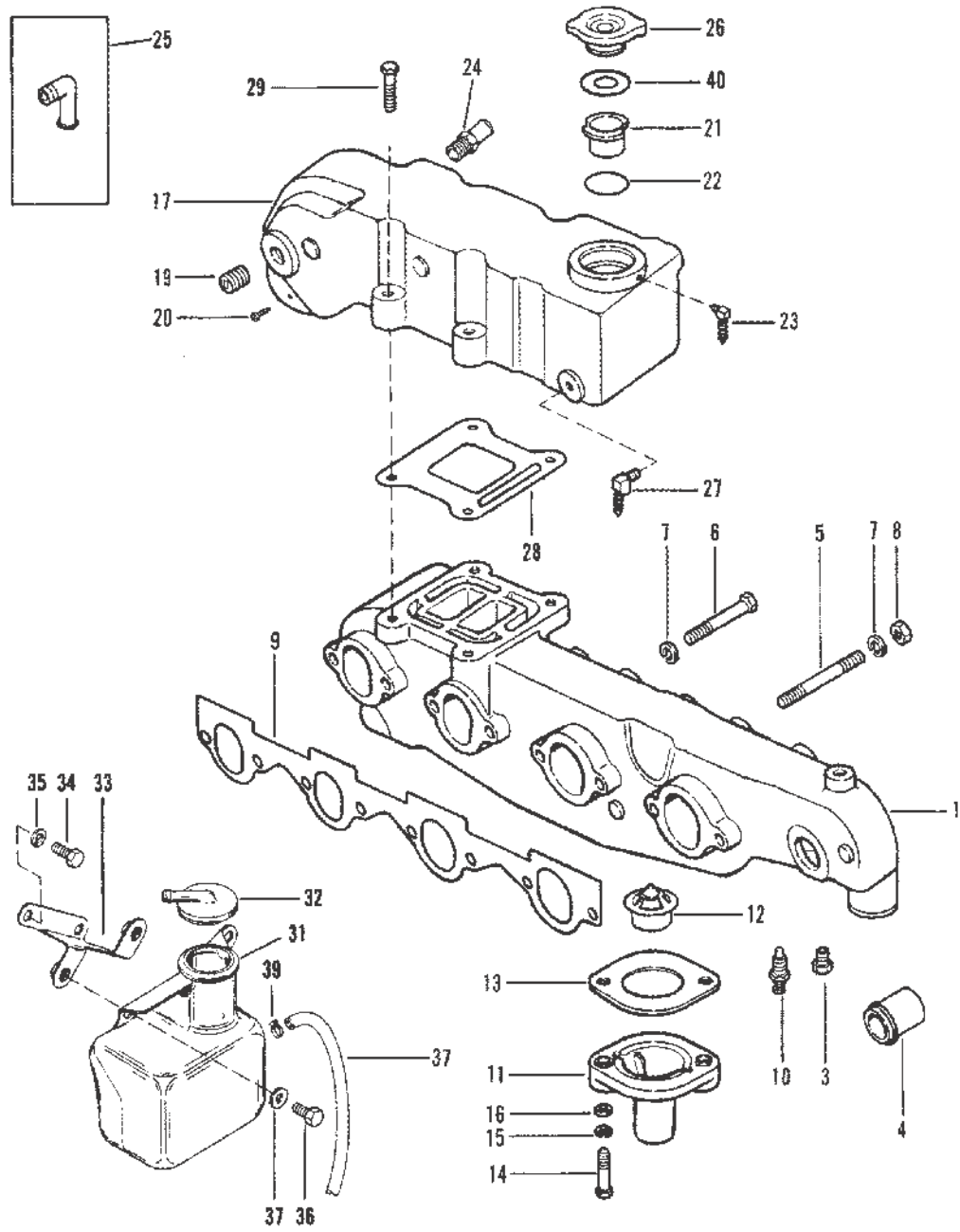
EXHAUST MANIFOLD AND EXHAUST ELBOW (ALUMINUM)

EXHAUST MANIFOLD AND EXHAUST ELBOW (ALUMINUM)

Ref #	Part Class	Part Number	Description	Comments	Qty	Note
1	0000	816219A1	MANIFOLD ASSEMBLY Exhaust	(Manifold Aluminum Casting) Also sold in kit (816219A 4) Including Elbow.	1	
3	0022	32803	PLUG Pipe (.375-18) Brass DRAIN		1	
4	0023	72119	SLEEVE		1	
5	0016	78438	STUD EXHAUST MANIFOLD TO HEAD		3	
6	0010	89679	SCREW (.375-16 x 6) EXHAUST MANIFOLD TO HEAD (6")		4	
7	0013	35048	LOCKWASHER (.375) EXHAUST MANIFOLD		7	
8	0011	24883	NUT EXHAUST MANIFOLD STUD		3	
9	0027	68715	GASKET EXHAUST MANIFOLD TO HEAD		1	[1]
10	0000	15995	SENDER WATER TEMPERATURE		1	
11	0000	89659A3	HOUSING ASSEMBLY Thermostat		1	
12	0000	99155A1	THERMOSTAT		1	
13	0027	89656	GASKET THERMOSTAT HOUSING TO EXHAUST MANIFOLD		1	[1]
14	0010	73657	SCREW (.312-18 x 1.50) THERMOSTAT HOUSING		2	
15	0013	39107	LOCKWASHER (.312-24) THERMOSTAT HOUSING SCREW		2	
16	0012	26825	WASHER (.328 x .750 x .06) THERMOSTAT HOUSING SCREW		2	
17	0000	98562A6	ELBOW ASSEMBLY Exhaust	(Elbow Iron Casting) Also sold in kit (816219A 4) Including Manifold.	1	
19	0022	428611	FITTING Pipe - Brass (.750-14)		3	
20	0010	28642	SCREW (#2 x 0.25) DRIVE		4	
21	0022	13234A1	BASE FILLER HOLE		1	
22	0025	45257	O-RING (1.489 x .070) FILLER BASE		1	[1]
23	0022	99498	FITTING (THREADED)		1	
24	0022	45084	FITTING Straight HOSE (W/POWER STEERING)		1	
25	0022	36305	ELBOW (90 Degrees) HOSE (W/O POWER STEERING)		1	
26	0036	13130	CAP Pressure - FILLER		1	
27	0022	76170	ELBOW RESERVIOR BY-PASS		1	
28	0027	18272	GASKET ELBOW AND RESERVIOR TO MANIFOLD		1	[1]
29	0010	78259	SCREW (4 Inches) ELBOW AND RESERVIOR TO MANIFOLD		4	
31	0000	91987A1	BOTTLE COOLANT RECOVERY		1	
32	0036	91989A1	CAP ASSEMBLY		1	
33	0000	97864A2	BRACKET ASSEMBLY BOTTLE		1	
34	0010	47461	SCREW (.437-14 x 1.00) BOTTLE BRACKET		2	

EXHAUST MANIFOLD AND EXHAUST ELBOW (ALUMINUM)

EXHAUST MANIFOLD AND EXHAUST ELBOW (ALUMINUM)



39462

EXHAUST MANIFOLD AND EXHAUST ELBOW (ALUMINUM)

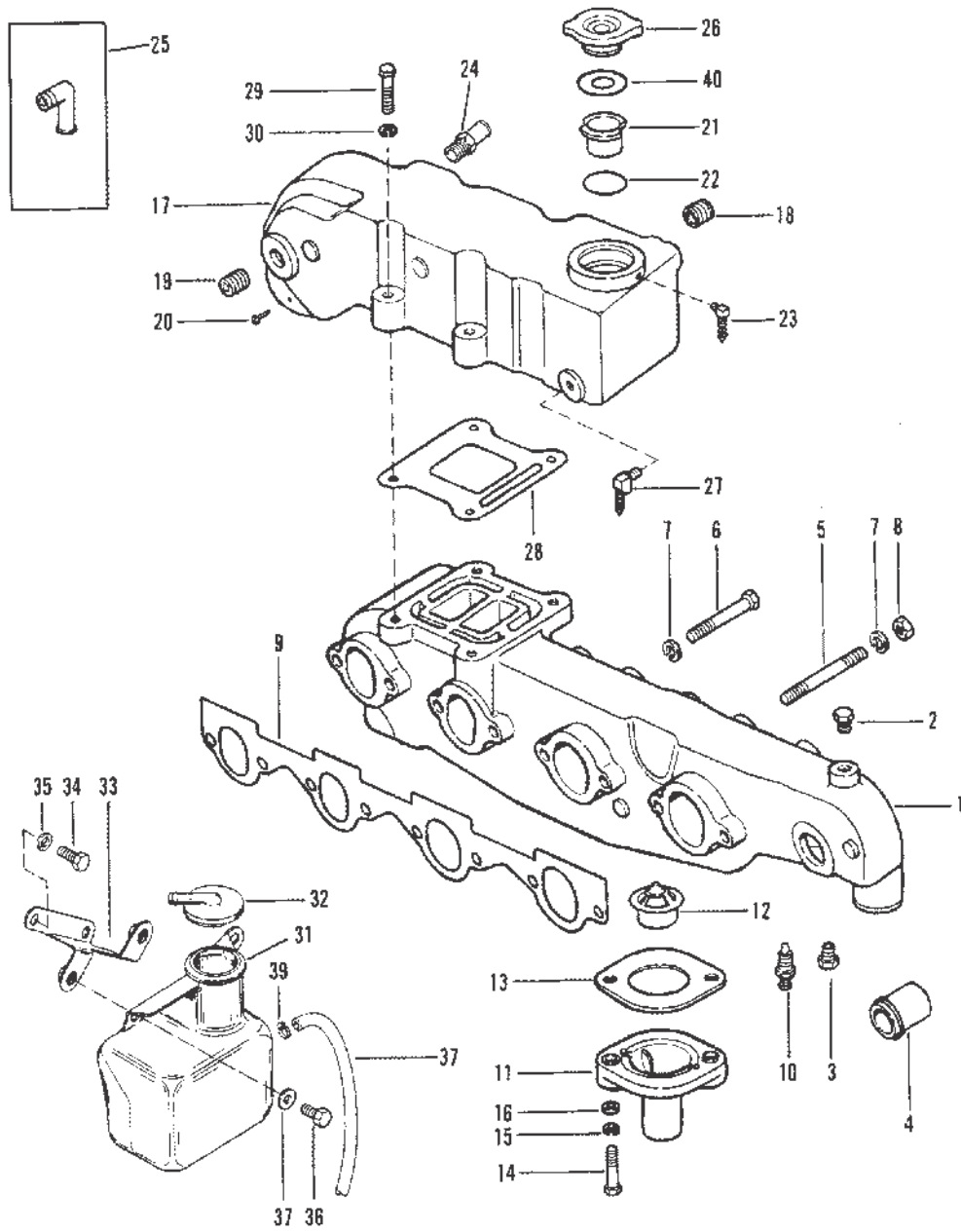
EXHAUST MANIFOLD AND EXHAUST ELBOW (ALUMINUM)

Ref #	Part Class	Part Number	Description	Comments	Qty	Note
35	0013	37272	LOCKWASHER BOTTLE BRACKET SCREW		2	
36	0010	98261	SCREW (.375-16 x .750) BOTTLE TO BRACKET		2	
37	0012	25909	WASHER (.406 x .812 x .065) BOTTLE SCREW		2	
38	0032	774572	HOSE (48.00 Inches Bulk) COOLANT RECOVERY BOTTLE		1	
39	0054	54428	CLAMP HOSE ATTACHING		2	
40	0027	71614	GASKET FILLER CAP		1	
-	0027	43186A1	GASKET SET		1	

PART NOTES:

[1] - COMPONENT OF ENGINE/POWERHEAD GASKET SET 43186A 1

EXHAUST MANIFOLD AND EXHAUST ELBOW (CAST IRON)



39463

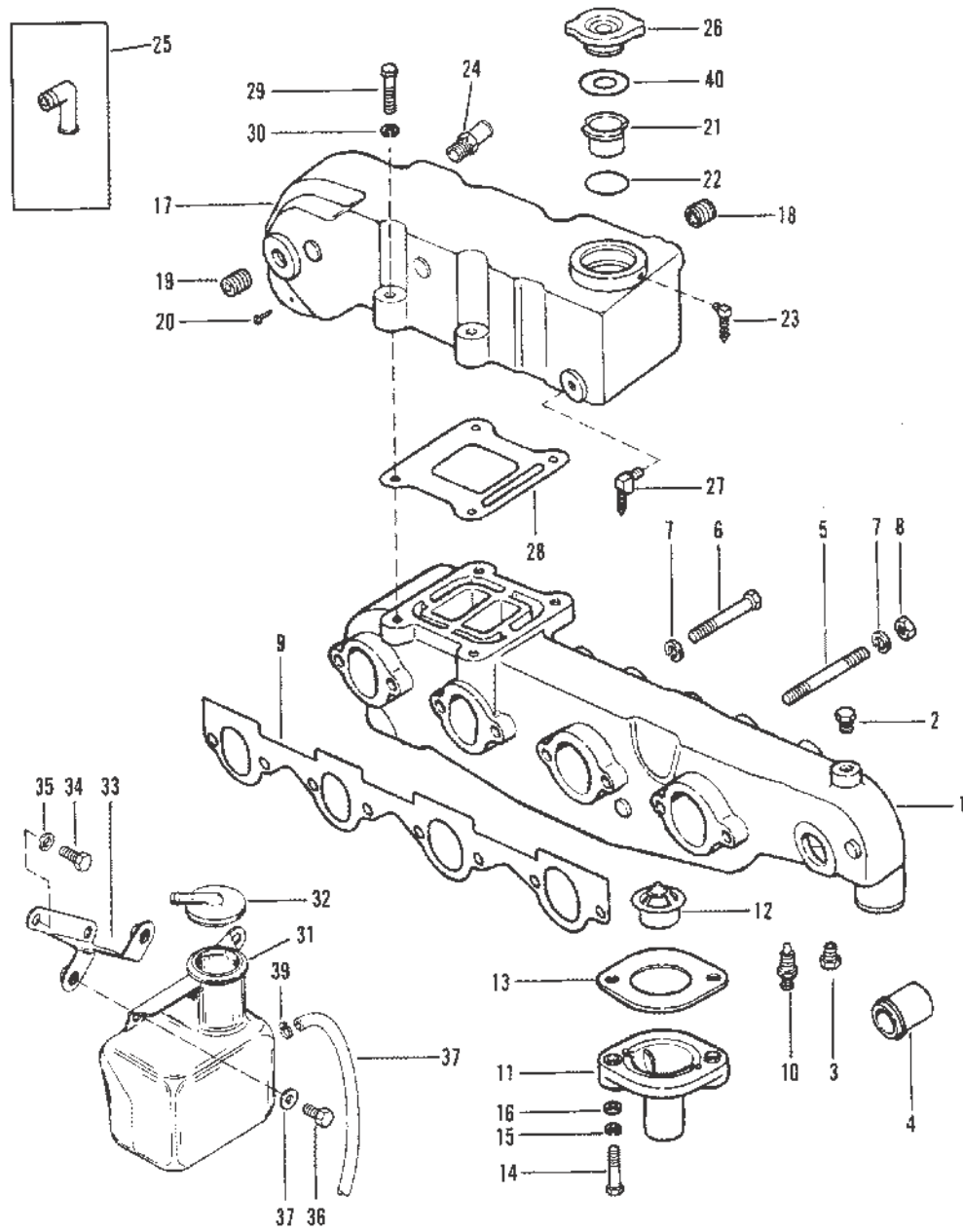
EXHAUST MANIFOLD AND EXHAUST ELBOW (CAST IRON)

EXHAUST MANIFOLD AND EXHAUST ELBOW (CAST IRON)

Ref #	Part Class	Part Number	Description	Comments	Qty	Note
1	0000	99908A3	MANIFOLD ASSEMBLY Exhaust	(Cast Iron)	1	
2	0022	32802	PLUG Pipe (.125-27)		1	
3	0022	32803	PLUG Pipe (.375-18) Brass DRAIN		1	
4	0023	72119	SLEEVE		1	
5	0016	78438	STUD EXHAUST MANIFOLD TO HEAD		3	
6	0010	89679	SCREW (.375-16 x 6) EXHAUST MANIFOLD TO HEAD (6")		4	
7	0013	35048	LOCKWASHER (.375) EXHAUST MANIFOLD		7	
8	0011	24883	NUT EXHAUST MANIFOLD STUD		3	
9	0027	68715	GASKET EXHAUST MANIFOLD TO HEAD		1	[1]
10	0000	15995	SENDER WATER TEMPERATURE		1	
11	0000	89659A3	HOUSING ASSEMBLY Thermostat		1	
12	0000	99155A1	THERMOSTAT		1	
13	0027	89656	GASKET THERMOSTAT HOUSING TO EXHAUST MANIFOLD		1	[1]
14	0010	73657	SCREW (.312-18 x 1.50) THERMOSTAT HOUSING		2	
15	0013	39107	LOCKWASHER (.312-24) THERMOSTAT HOUSING SCREW		2	
16	0012	26825	WASHER (.328 x .750 x .06) THERMOSTAT HOUSING SCREW		2	
17	0000	90880A2	ELBOW ASSEMBLY Exhaust	(Cast Iron)	1	
18	0022	32802	PLUG Pipe (.125-27)		1	
19	0022	33198A1	PLUG (3/4-14)		2	
20	0010	28642	SCREW (#2 x 0.25) DRIVE		4	
21	0022	13234A1	BASE FILLER HOLE FILLER HOLE		1	
22	0025	45257	O-RING (1.489 x .070) FILLER BASE		1	[1]
23	0022	99498	FITTING (THREADED)		1	
24	0022	45084	FITTING Straight HOSE (W/POWER STEERING)		1	
25	0022	36305	ELBOW (90 Degrees) HOSE (W/O POWER STEERING)		1	
26	0036	55143	CAP Pressure FILLER		1	[2]
27	0022	76170	ELBOW RESERVIOR BY-PASS		1	
28	0027	97542	GASKET ELBOW AND RESERVIOR TO MANIFOLD		1	[1]
29	0010	37269	SCREW (.437-14 x 2.00) ELBOW AND RESERVIOR TO MANIFOLD		4	
30	0013	32993	LOCKWASHER (.437) ELBOW AND RESERVIOR SCREW		4	
31	0000	91987A1	BOTTLE COOLANT RECOVERY		1	
32	0036	91989A1	CAP ASSEMBLY		1	
33	0000	97864A2	BRACKET ASSEMBLY BOTTLE		1	
34	0010	47461	SCREW (.437-14 x 1.00) BOTTLE BRACKET		2	

EXHAUST MANIFOLD AND EXHAUST ELBOW (CAST IRON)

EXHAUST MANIFOLD AND EXHAUST ELBOW (CAST IRON)



39463

EXHAUST MANIFOLD AND EXHAUST ELBOW (CAST IRON)

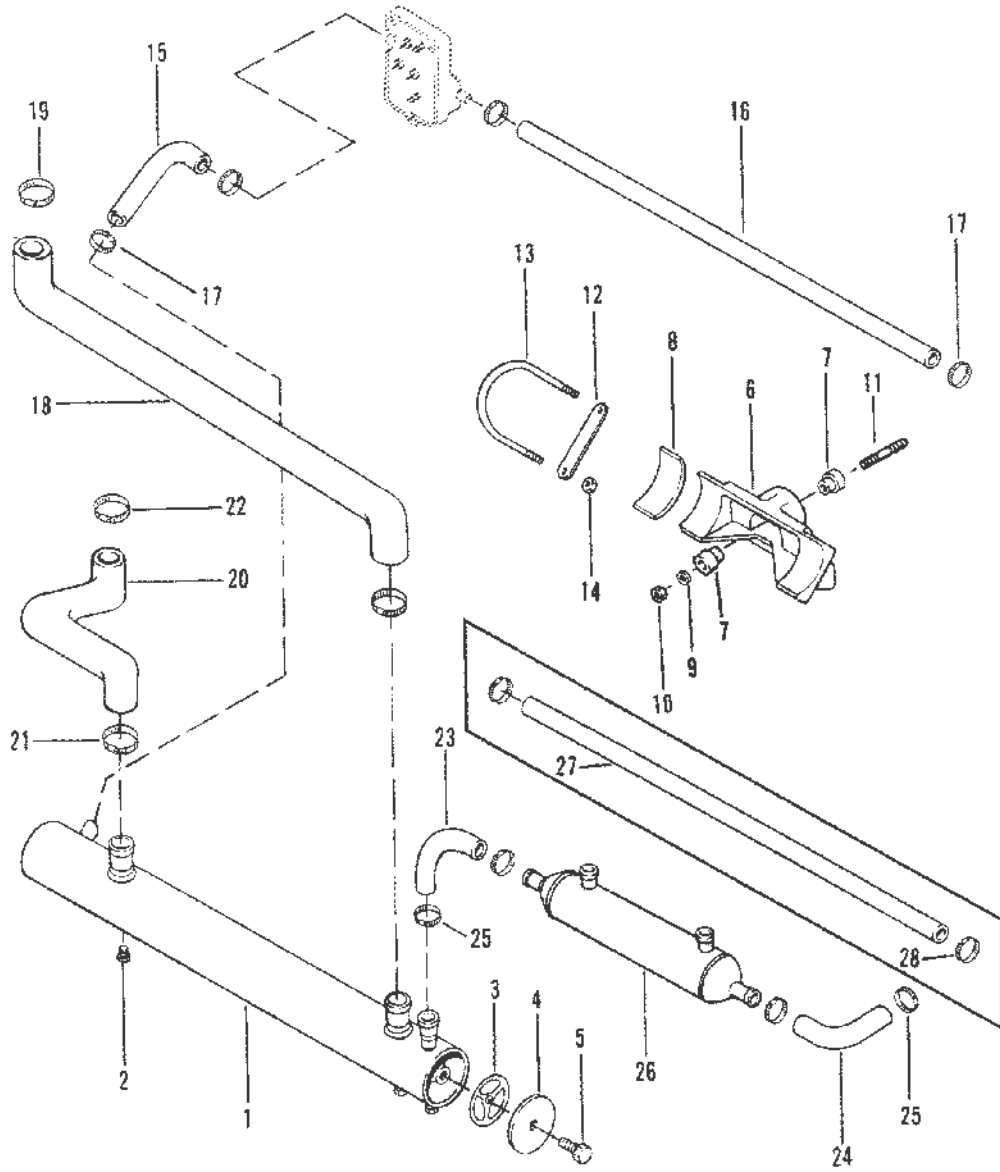
EXHAUST MANIFOLD AND EXHAUST ELBOW (CAST IRON)

Ref #	Part Class	Part Number	Description	Comments	Qty	Note
35	0013	37272	LOCKWASHER BOTTLE BRACKET SCREW		2	
36	0010	98261	SCREW (.375-16 x .750) BOTTLE TO BRACKET		2	
37	0012	25909	WASHER (.406 x .812 x .065) BOTTLE SCREW		2	
38	0032	774572	HOSE (48.00 Inches Bulk) COOLANT RECOVERY BOTTLE		1	
39	0054	54428	CLAMP HOSE ATTACHING		2	
40	0027	71614	GASKET FILLER CAP		1	
-	0027	43186A1	GASKET SET		1	

PART NOTES:

- [1] - COMPONENT OF ENGINE/POWERHEAD GASKET SET 43186A 1
- [2] - Alternate part numbers:
- 55143Service Part
 - 55143QQS
 - 55143TMPP

HEAT EXCHANGER



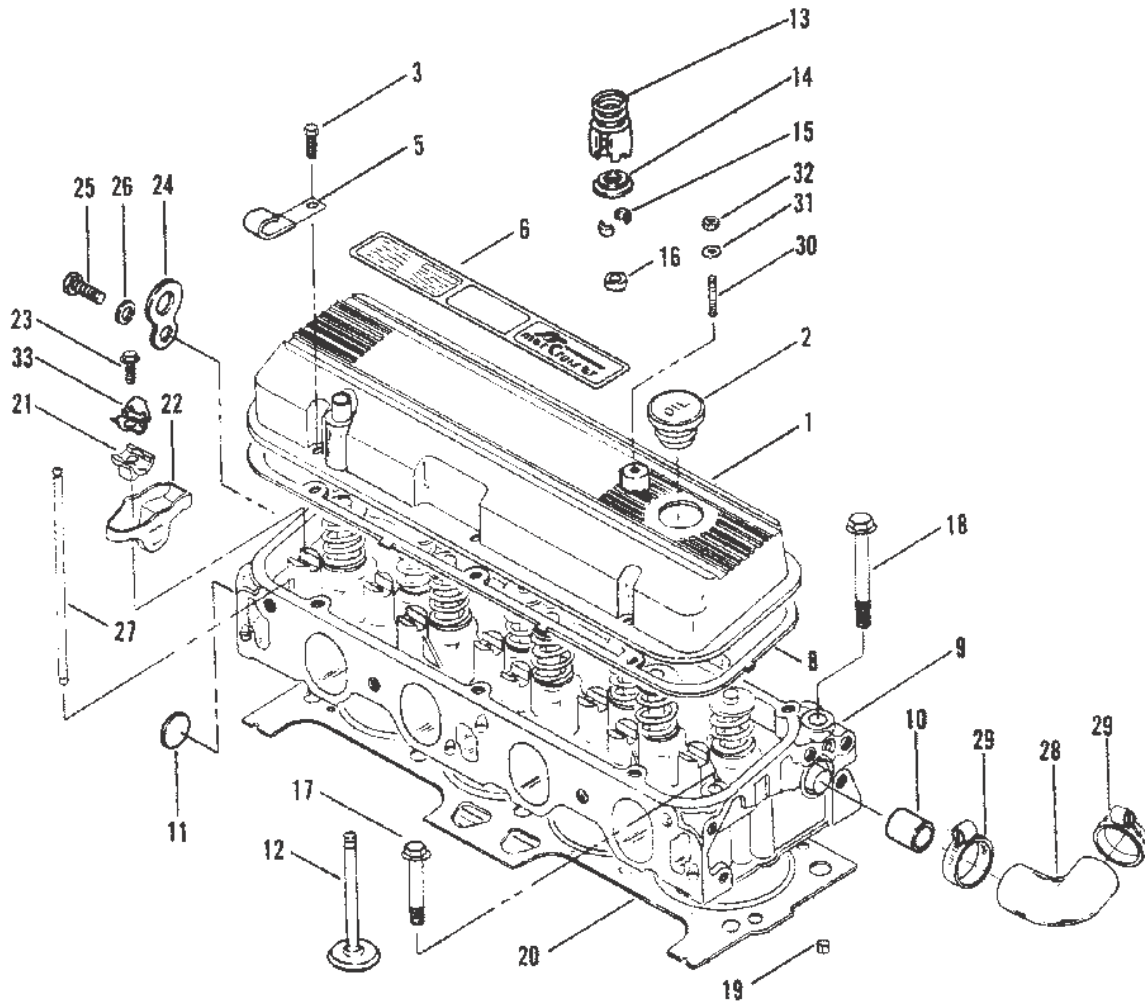
39464

HEAT EXCHANGER

Ref #	Part Class	Part Number	Description	Comments	Qty	Note
1	0000	99438A1	HEAT EXCHANGER		1	
2	0022	32802	PLUG Pipe (.125-27) HEAD EXCHANGER		2	
3	0027	99960	GASKET END CAP		2	
4	0000	99961	PLATE END CAP		2	
5	0010	99962	SCREW END CAP - HEAD EXCHANGER		2	
6	0000	98618A1	BRACKET ASSEMBLY HEAT EXCHANGER		1	
7	0000	41024	MOUNT VIBRATION		6	
8	0000	77223	PAD MOUNTING BRACKET		2	
9	0012	31263	WASHER MOUNT STUD		3	
10	0011	34933	NUT (.437-20) Stainless Steel MOUNT STUD		3	
11	0016	41025	STUD BRACKET		3	
12	0000	98620	STRAP BRACKET TO HEAT EXCHANGER		2	
13	0010	98619A1	U BOLT HEAT EXCHANGER		2	
14	0011	26484	NUT (.312-18) " BOLT		4	
15	0032	99520	HOSE HEAT EXCHANGER TO REGULATOR		1	
16	0032	4285064	HOSE Transom Plate to Housing - WATER INLET		1	
17	0054	43510	CLAMP HOSE ATTACHING		4	
18	0032	77245	HOSE THERMOSTAT HOUSING TO HEAD EXCHANGER		1	
19	0054	32780	CLAMP HOSE ATTACHING		2	
20	0032	99729	HOSE EXHAUST MANIFOLD TO HEAT EXCHANGER		1	
21	0054	32780	CLAMP HOSE TO HEAD EXCHANGER		1	
22	0054	32781	CLAMP HOSE TO EXHAUST MANIFOLD		1	
23	0032	3322070	HOSE (48.00 Inches Bulk) COOLER TO HEAD EXCHANGER	W/POWER STEERING	1	
24	0032	95850	HOSE COOLER TO EXHAUST ELBOW	W/POWER STEERING	1	
25	0054	32780	CLAMP HOSE ATTACHING	W/POWER STEERING	4	
26	0000	99356A1	COOLER ASSEMBLY Oil		1	
27	0032	3322070	HOSE (48.00 Inches Bulk) HEAT EXCHANGER TO EXHAUST ELBOW	W/O POWER STEERING	1	
28	0054	32780	CLAMP HOSE ATTACHING	W/O POWER STEERING	2	

HEAT EXCHANGER

CYLINDER HEAD AND ROCKER COVER



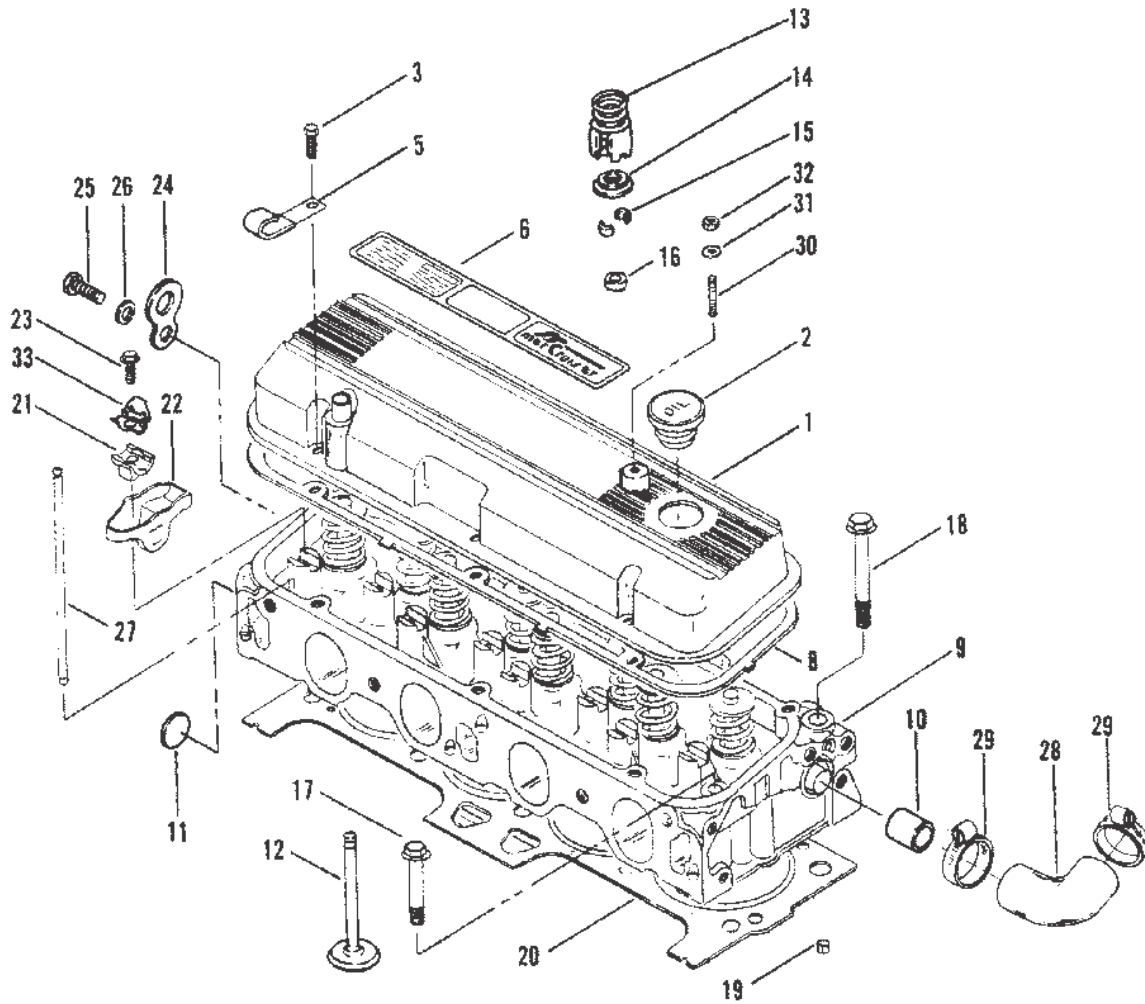
39465

CYLINDER HEAD AND ROCKER COVER

Ref #	Part Class	Part Number	Description	Comments	Qty	Note
1	0000	41638A1	ROCKER COVER		1	
2	0036	75336	CAP Filler OIL FILLER		1	
3	0010	65746	SCREW (.250-20 x .750) ROCKER COVER		7	
5	0054	642351	J CLIP ROCKER COVER SCREW		3	
6	0037	11857170	DECAL ROCKER COVER	(170)	1	
6	0037	11857190	DECAL ROCKER COVER	(190)	1	
6	0037	118572	DECAL ROCKER COVER	(165)	1	
6	0037	118571	DECAL ROCKER COVER	(3.7L)	1	
6	0037	1681215	DECAL ROCKER COVER	(3.7L/LX)	1	
8	0027	73666	GASKET ROCKER COVER		1	[1]
9	0966	9451A2	CYLINDER HEAD ASSEMBLY		1	
10	0023	72119	SLEEVE		1	
11	0019	74832	PLUG CYLINDER HEAD		2	
12	0000	44182A1	VALVE EXHAUST	STANDARD	4	
12	0000	42449	VALVE EXHAUS	(.015 O.S.)	AR	
12	0000	44181A1	VALVE INTAKE	STANDARD	4	
12	0000	42451	VALVE INTAKE	(.015 O.S.)	AR	
13	0000	99292A1	SPRING ASSEMBLY Valve		8	
14	0000	75412	RETAINER VALVE SPRING		8	
15	0028	56162	KEY VALVE STEM		16	
16	0026	75413	SEAL VALVE STEM		8	
17	0010	67503	SCREW (4-3/8 Inch) CYLINDER HEAD (4-3/8"		5	
18	0010	72769T	SCREW CYLINDER HEAD (5-1/8"		5	
19	0017	67489	PIN CYLINDER HEAD		2	
20	0027	13709T	GASKET CYLINDER HEAD		1	[1]
21	0000	67504	BALL Rocker Arm		8	
22	0000	92966	ARM ROCKER VALVE		8	
23	0010	67506	SCREW ROCKER ARM		8	
24	0054	72531	LIFTING EYE		3	
25	0010	48948	SCREW (.437-14 x .880) LIFTING EYE-FRONT		1	
26	0013	32993	LOCKWASHER (.437) LIFTING EYE SCREW-FRONT		1	
25	0010	68101	SCREW (.375-16 x 1.375) LIFTING EYE -REAR		1	
27	0000	67502T1	PUSH ROD VALVE	(NO DYE)	AR	
27	0000	675023	PUSH ROD VALVE	(RED DYE)	8	
27	0000	67502T	PUSH ROD VALVE	(BLUE DYE)	AR	
27	0000	67502T2	PUSH ROD VALVE	(YELLOW DYE)	AR	
28	0032	89653	HOSE CYLINDER HEAD TO EXHAUST MANIFOLD		1	
29	0054	32780	CLAMP HOSE ATTACHING		2	
30	0016	38525	STUD THROTTLE CABLE ANCHOR	180-190-3.7L/LX	1	

CYLINDER HEAD AND ROCKER COVER

CYLINDER HEAD AND ROCKER COVER



39465

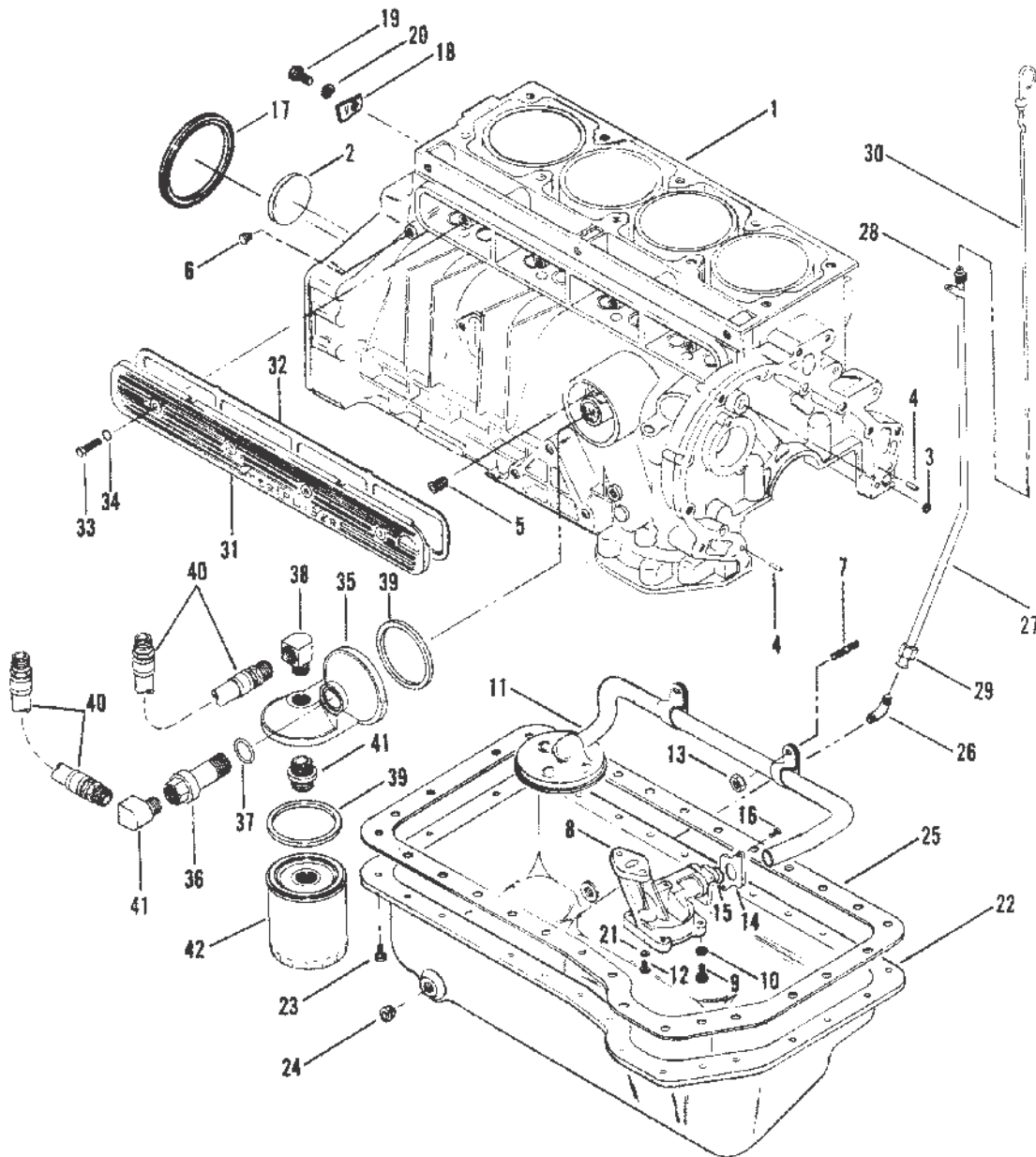
CYLINDER HEAD AND ROCKER COVER

Ref #	Part Class	Part Number	Description	Comments	Qty	Note
31	0012	24664	WASHER (M4 x 20) THROTTLE CABLE ANCHOR	180-190-3.7L/LX	2	
32	0011	20586	NUT (.250-28) THROTTLE CABLE ANCHOR	180-190-3.7L/LX	1	
33	0000	91976	BAFFLE OIL		8	
-	0027	43186A1	GASKET SET		1	

PART NOTES:

[1] - COMPONENT OF ENGINE/POWERHEAD GASKET SET 43186A 1

CYLINDER BLOCK, OIL PUMP AND OIL PAN



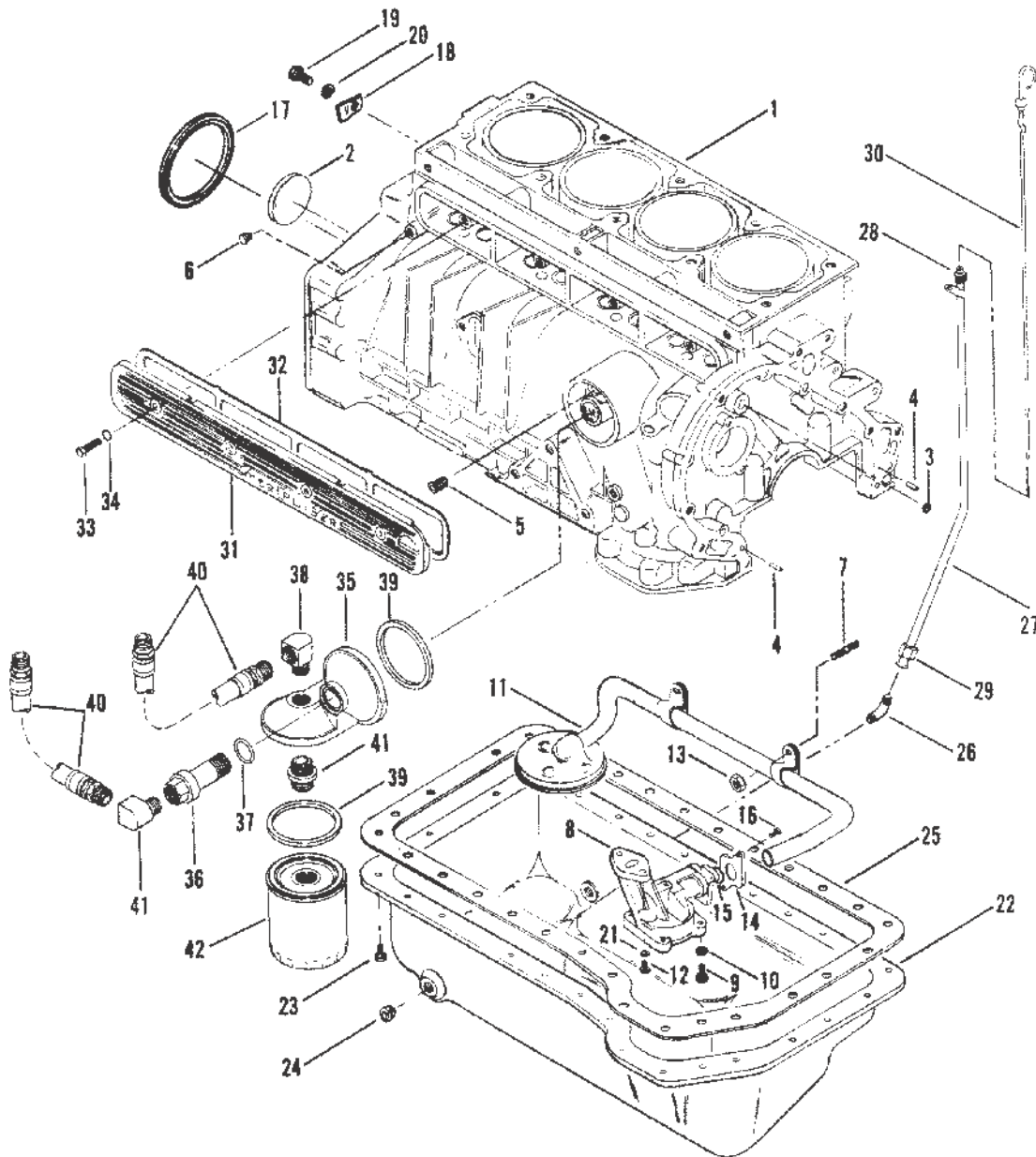
39466

CYLINDER BLOCK, OIL PUMP AND OIL PAN

Ref #	Part Class	Part Number	Description	Comments	Qty	Note
1	0859	6387A3	CYLINDER BLOCK ASSEMBLY		1	
2	0019	67383	PLUG (2.5) CAMSHAFT BORE (2-1/2" DIA.)		1	
3	0019	67384	PLUG (5/8) OIL GALLERY (5/8" DIA.)		2	
4	0017	74840	PIN Dowel FRONT COVER		2	
5	0000	99889	VALVE BY-PASS		1	
6	0022	32802	PLUG Pipe (.125-27) CYLINDER BLOCK		3	
7	0016	74396	STUD OIL TUBE TO BLOCK	ALUMINUM PUMP DESIGN	2	
8	0000	13838A1	PUMP ASSEMBLY Oil - New Design Cast Iron Pump		1	
8	0000	68712A1	PUMP ASSEMBLY Oil	ALUMINUM PUMP DESIGN	1	
9	0010	28668	SCREW (.250-20 x .875) Stainless Steel COVER TO OIL PUMP	ALUMINUM PUMP DESIGN	4	
10	0013	26992	LOCKWASHER (.250) Stainless Steel COVER SCREW	ALUMINUM PUMP DESIGN	4	
11	0032	72877A1	TUBE ASSEMBLY Oil Pick Up	ALUMINUM PUMP DESIGN	1	
11	0000	13843A2	TUBE ASSEMBLY Oil Pick Up - New Design Cast Iron Pump		1	
12	0010	37612	SCREW (.375-16 x 1.250) OIL PUMP TO ENGINE	ALUMINUM PUMP DESIGN	2	
12	0010	68101	SCREW (.375-16 x 1.375) OIL PUMP TO ENGINE	CAST IRON PUMP DESIGN	2	
13	0011	67919	NUT OIL PICK-UP TUBE STUD	ALUMINUM PUMP DESIGN	2	
14	0000	70792	FLANGE TUBE TO OIL PUMP		1	
15	0025	35276	O-RING (.734 x .139) TUPE TO OIL PUMP		1	
16	0010	47576	SCREW (.312-18 x .750) FLANGE TO OIL PUMP		2	
17	0026	90925	SEAL CRANKSHAFT - REAR		1	[1]
18	0054	99334	CLAMP BASE		1	
19	0010	98261	SCREW (.375-16 x .750) HOSE CLAMP		1	
20	0013	35048	LOCKWASHER (.375) HOSE CLAMP SCREW		1	
21	0013	35048	LOCKWASHER (.375) OIL PUMP SCREW		2	
22	0000	71938A1	PAN ASSEMBLY Oil		1	
23	0010	35765	SCREW (5/8) OIL PAN (5/8" DIA.)		29	
24	0022	60039	PLUG Oil Drain		1	
25	0027	72479A5	GASKET OIL PAN		1	[1]
26	0022	97006T	ELBOW OIL PAN		1	
27	0000	97346A2	TUBE ASSEMBLY DIPSTICK		1	
28	0022	78039	COUPLING DIPSTICK TUBE		1	
29	0011	47626	NUT DIPSTICK TUBE TO ELBOW		1	
30	0000	97381A1	GAUGE OIL LEVEL		1	

CYLINDER BLOCK, OIL PUMP AND OIL PAN

CYLINDER BLOCK, OIL PUMP AND OIL PAN



39466

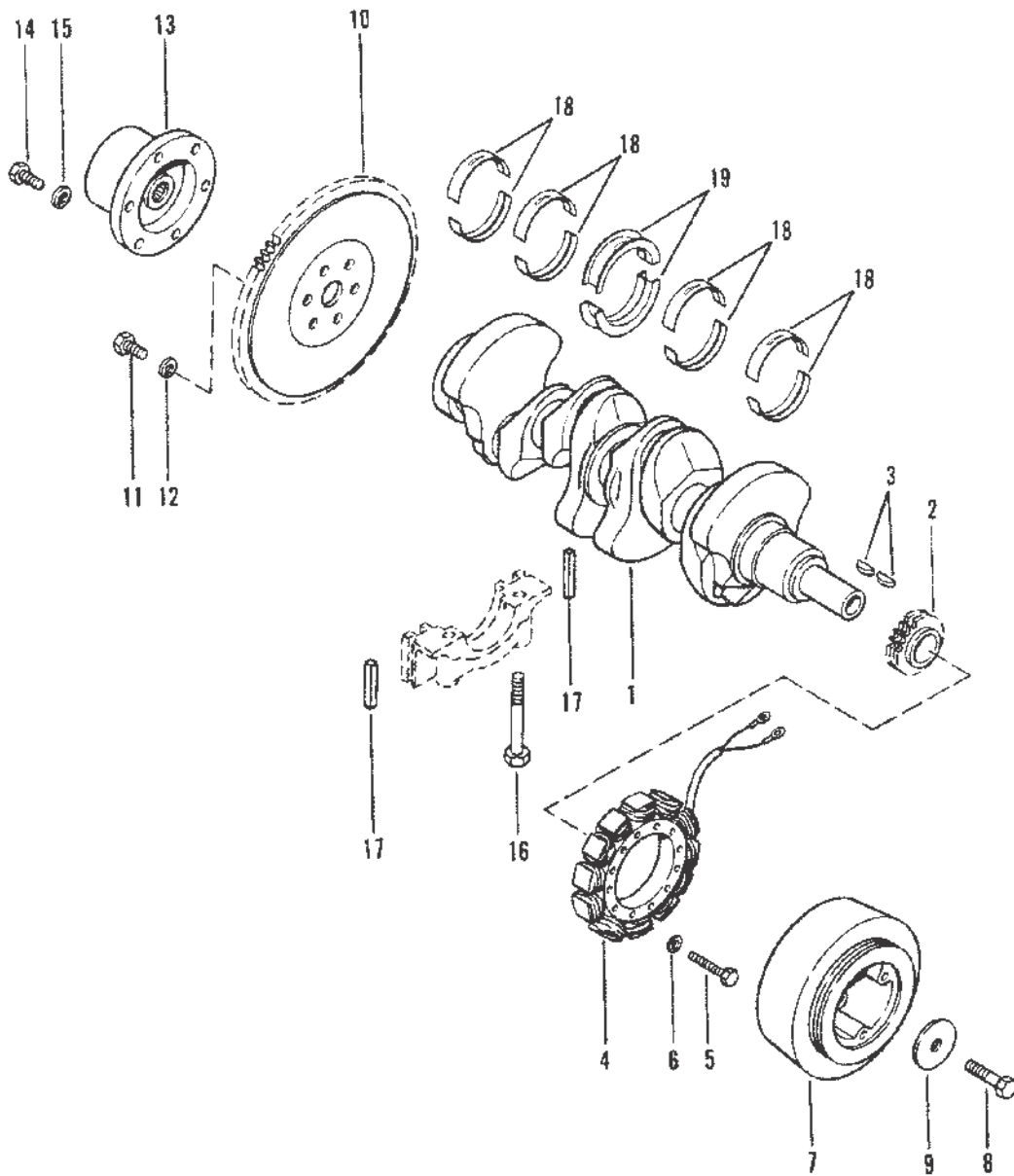
CYLINDER BLOCK, OIL PUMP AND OIL PAN

Ref #	Part Class	Part Number	Description	Comments	Qty	Note
31	0000	41505A1	SIDE COVER		1	
32	0027	72479A5	GASKET SIDE COVER		1	[1]
33	0010	75206	SCREW (.312-18 x 1.750) SIDE COVER		4	
34	0025	26543	O-RING SIDE COVER SCREW		4	[1]
35	0000	94023A1	ADAPTER ASSEMBLY OIL FILTER	180-190-3.7L/LX	1	
36	0000	93534	BUSHING OIL FILTER ADAPTER	180-190-3.7L/LX	1	
37	0025	58390	O-RING OIL FILTER ADAPTER	180-190-3.7L/LX	1	[1]
38	0022	63825	ELBOW OIL FILTER ADAPTER	180-190-3.7L/LX	2	
39	0027	91892	GASKET OIL FILTER ADAPTER	180-190-3.7L/LX	2	[1]
40	0032	9235728	HOSE OIL (13-1/2")	180-190-3.7L/LX	2	
41	0000	32720	CONNECTOR OIL FILTER		1	
42	0000	14957	FILTER OIL		1	[2]
-	0000	72775A16	SHORT BLOCK		1	[3]
-	0027	43186A1	GASKET SET ENGINE OVERHAUL		1	

PART NOTES:

- [1] - COMPONENT OF ENGINE/POWERHEAD GASKET SET 43186A 1
- [2] - Alternate part numbers:
 14957Service Part
 802885QQS
 802885TMPP
- [3] - Alternate part numbers:
 72775A16QS
 883278R 5Reman

CRANKSHAFT, FLYWHEEL AND ALTERNATOR



39467

CRANKSHAFT, FLYWHEEL AND ALTERNATOR

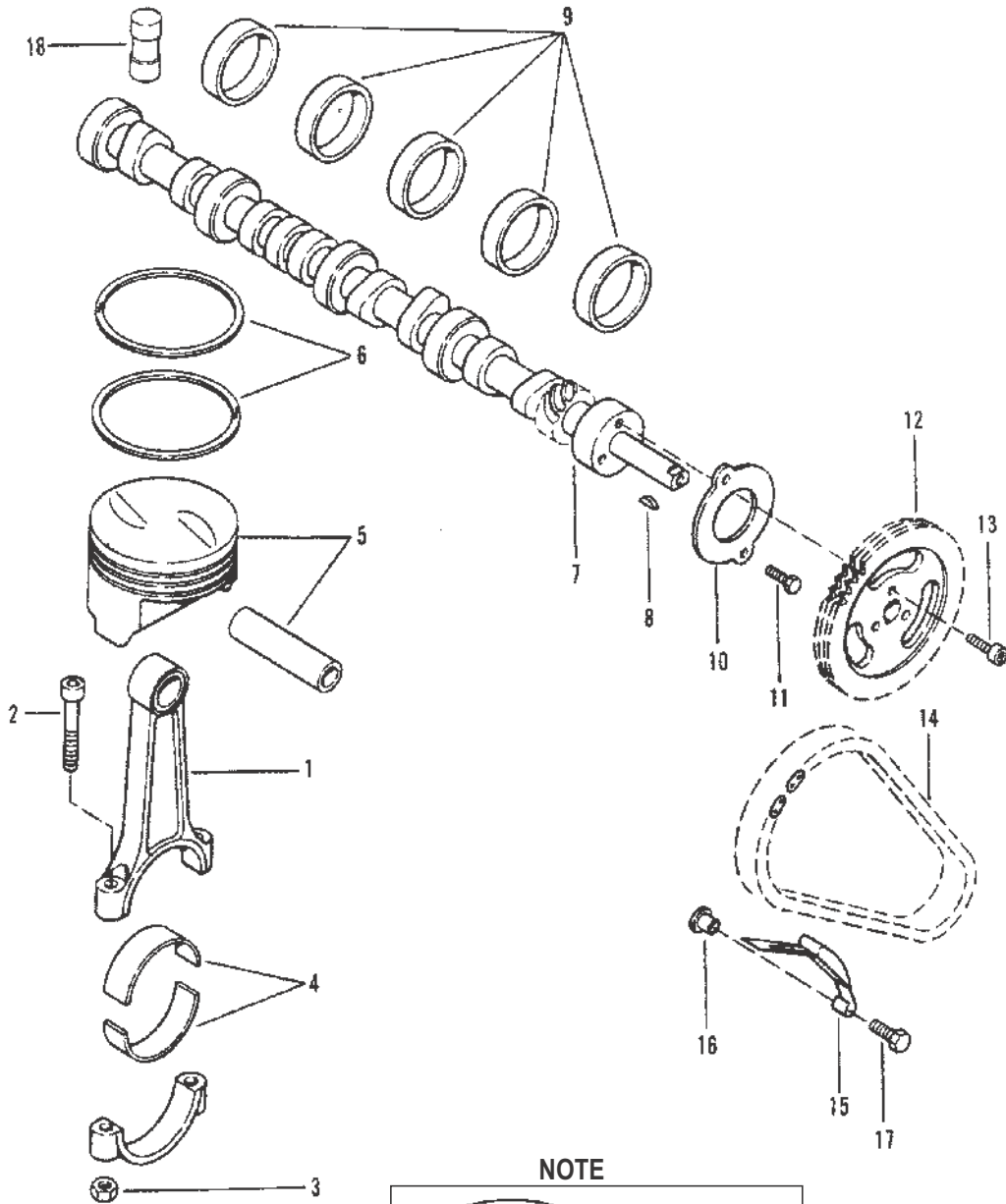
Ref #	Part Class	Part Number	Description	Comments	Qty	Note
1	0456	6092A1	CRANKSHAFT		1	
2	0000	68700A1	SPROCKET CRANKSHAFT		1	
3	0028	67382	KEY SPROCKET AND ALTERNATOR		2	
4	0398	6231A10	STATOR ASSEMBLY ALTERNATOR		1	
5	0010	77363	SCREW (#10-24 x 1.50) STATOR TO FRONT COVER		5	
6	0013	26996	LOCKWASHER (#10) Stainless Steel STATOR SCREW		5	
7	0000	93009A5	ALTERNATOR ASSEMBLY Flywheel FLYWHEEL		1	
8	0010	59644	SCREW (.500-20 x 1.380) ALTERNATOR		1	
9	0012	36103	WASHER (Steel, 1.75 Inch Outside Diameter) ALTERNATOR SCREW		1	
10	0251	9741A2	FLYWHEEL		1	
-	0043	97433A1	RING GEAR ASSEMBLY		1	
11	0010	49845	SCREW (.437-20 x 1.00) FLYWHEEL TO CRANKSHAFT		6	
12	0013	39131	LOCKWASHER (.437) FLYWHEEL SCREW		6	
13	0000	97432A2	COUPLING ASSEMBLY ENGINE		1	
14	0010	37612	SCREW (.375-16 x 1.250) COUPLING TO FLYWHEEL		6	
15	0013	35048	LOCKWASHER (.375) COUPLING SCREW		6	
16	0010	74335	SCREW (.500-13 x 4.00) MAIN BEARING SCREW		10	
17	0026	98421A1	SEAL REAR BEARING CAP		1	[1]
18	0000	74313A1	BEARING ASSEMBLY Main	STANDARD	4	[2]
18	0000	74313A2	BEARING ASSEMBLY Main	(.002 UNDERSIZE)	AR	[2]
18	0000	74313A4	BEARING ASSEMBLY Main	(.010 UNDERSIZE)	AR	[2]
18	0000	74313A3	BEARING ASSEMBLY Main	(.020 UNDERSIZE)	AR	[2]
19	0000	15103A1	BEARING ASSEMBLY Center Main	STANDARD	1	[2]
19	0000	74314A2	BEARING ASSEMBLY Center Main	(.002 UNDERSIZE)	AR	[2]
19	0000	15103A4	BEARING ASSEMBLY Center Main	(.010 UNDERSIZE)	AR	[2]
19	0000	74314A3	BEARING ASSEMBLY Center Main	(.020 UNDERSIZE)	AR	[2]
-	0000	72775A16	SHORT BLOCK		1	[3]
-	0027	43186A1	GASKET SET		1	

PART NOTES:

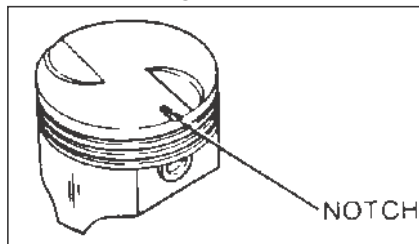
- [1] - COMPONENT OF ENGINE/POWERHEAD GASKET SET 43186A 1
- [2] - WHEN ORDERING REPLACEMENT BEARINGS, REFER TO MERCUISER SERVICE MANUAL 90-71707/SECTION 5/PART D.
- [3] - Alternate part numbers:
72775A16QS
883278R 5Reman

CRANKSHAFT, FLYWHEEL AND ALTERNATOR

CAMSHAFT AND PISTON



NOTE



39468

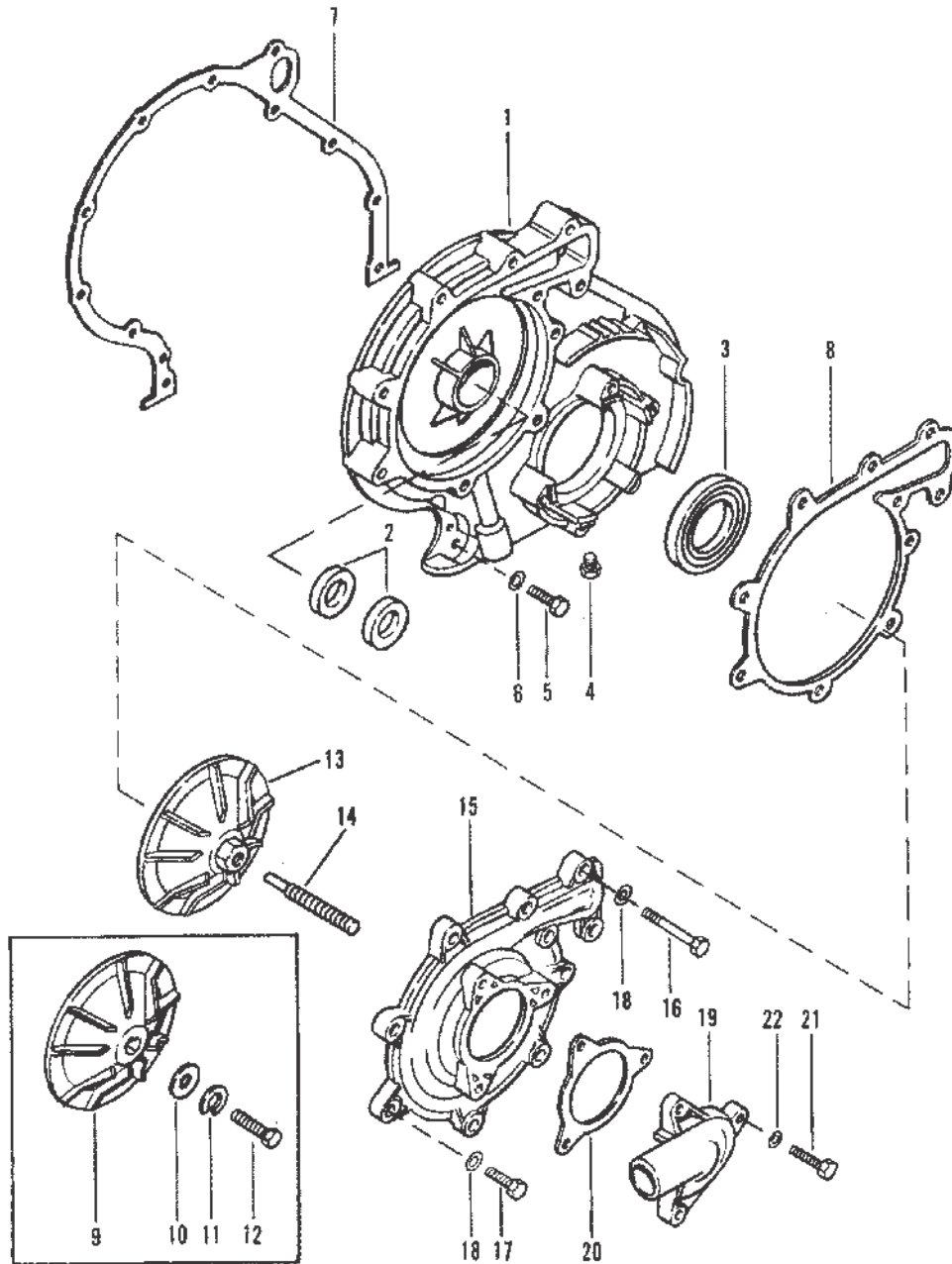
CAMSHAFT AND PISTON

Ref #	Part Class	Part Number	Description	Comments	Qty	Note
1	0628	6100A2	CONNECTING ROD ASSEMBLY		4	
2	0010	75444	BOLT CONNECTING ROD		8	
3	0011	64769	NUT CONNECTING ROD SCREW		8	
4	0000	68704A1	BEARING ASSEMBLY CONNECTING ROD	STANDARD	4	
4	0000	68704A2	BEARING ASSEMBLY CONNECTING ROD	(.002 UNDERSIZE)	AR	
4	0000	68704A4	BEARING ASSEMBLY CONNECTING ROD	(.010 UNDERSIZE)	AR	
4	0000	68704A3	BEARING ASSEMBLY CONNECTING ROD	(.020 UNDERSIZE)	AR	
5	0759	8312A2	PISTON	STANDARD	4	[1]
5	0759	8312A3	PISTON USE STANDARD RINGS	(.005 OVERSIZE)	AR	[1]
5	0759	8312A6	PISTON	(.030 OVERSIZE)	AR	[1]
5	0778	9441A3	PISTON ASSEMBLY	STANDARD	4	[2]
5	0778	9441A4	PISTON ASSEMBLY USE STANDARD RINGS	(.005 OVERSIZE)	AR	[2]
5	0778	9441A5	PISTON ASSEMBLY	(.030 OVERSIZE)	AR	[2]
6	0039	74381A1	RING PISTON	STANDARD	4	
6	0039	75423	RING PISTON	(.030 OVERSIZE)	AR	
7	0466	9410A1	CAMSHAFT		1	
8	0028	86466	KEY CAMSHAFT		1	
9	0023	67484	BEARING SAMSHAFT		5	[3]
10	0000	67492	THRUST PLATE CAMSHAFT		1	
11	0010	49668	SCREW (.250-20 x .750) THRUST PLATE		2	
12	0000	86461T	SPROCKET CAMSHAFT		1	
13	0010	70084	SCREW (.250-20 x 1.00) SPROCKET TO CAMSHAFT		3	
14	0000	68717A1	CHAIN TIMING		1	
15	0000	75202	TENSIONER CHAIN		1	
16	0023	75087	BUSHING CHAIN TENSIONER		1	
17	0010	75206	SCREW (.312-18 x 1.750) TENSIONER		1	
18	0000	56153	TAPPET		8	

PART NOTES:

- [1] - INDICATES PISTON WITHOUT NOTCH ON TOP SIDE
- [2] - INDICATES PISTON WITH NOTCH ON TOP SIDE-SEE ILLUSTRATION
- [3] - WHEN ORDERING REPLACEMENT BEARINGS, REFER TO MERCUISER SERVICE MANUAL 90-71707/SECTION 5/PART D.

FRONT COVER



39469

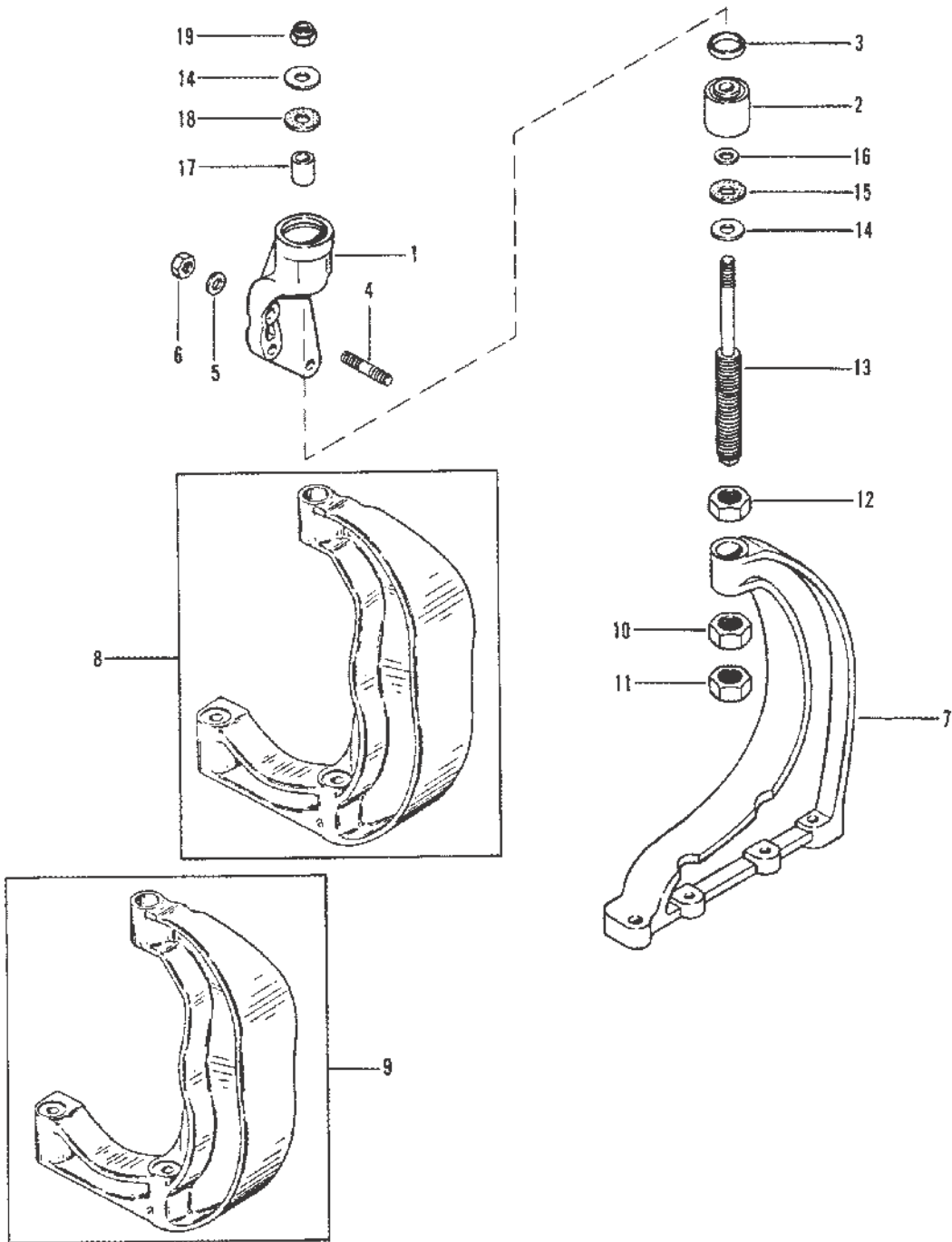
FRONT COVER

Ref #	Part Class	Part Number	Description	Comments	Qty	Note
1	0000	71903A2	FRONT COVER ASSEMBLY		1	
2	0026	97530	SEAL WATER PUMP		2	[1]
3	0026	67388	SEAL FRONT		1	[1]
4	0022	32802	PLUG Pipe (.125-27) DRAIN		1	
5	0010	35386	SCREW (.312-18 x 1.00)		5	
6	0012	20084	WASHER (.328 x .562 x .062) FRONT COVER SCREW		5	
7	0027	68714A6	GASKET FRONT COVER	(Includes Items 8 and 20)	1	[1]
8	0027	68714A6	GASKET IMPELLER COVER	(Includes Items 7 and 20)	1	[1]
9	0047	86462A1	IMPELLER WATER PUMP	ATTACHES WITH SCREW	1	
10	0012	85106	WASHER IMPELLER SCREW-W	IMPELLER ATTACHES WITH SCREW	1	
11	0013	21804	LOCKWASHER	IMPELLER ATTACHES WITH SCREW	1	
12	0010	23703	SCREW (.312-18 x .88)	IMPELLER ATTACHES WITH SCREW	1	
13	0047	12600A1	IMPELLER ASSEMBLY Attaches With Stud		1	
14	0016	12601	STUD	IMPELLER-ATTACHES WITH STUD	1	
15	0000	71902A1	COVER IMPELLER		1	
16	0010	67450	SCREW (.312-18 x 2.250) COVER TO CYLINDER BLOCK		6	
17	0010	35386	SCREW (.312-18 x 1.00) IMPELLER COVER TO FRONT COVER		4	
18	0012	20084	WASHER (.328 x .562 x .062) COVER SCREWS		10	
19	0000	71904A1	COVER WATER INLET		1	
20	0027	68714A6	GASKET WATER INLET COVER	(Includes Items 7 and 8)	1	[1]
21	0010	28668	SCREW (.250-20 x .875) Stainless Steel INLET COVER TO IMPELLER COVER (7/8")		3	
22	0012	21249	WASHER INLET COVER SCREW		3	
-	0027	43186A1	GASKET SET		1	

PART NOTES:

[1] - COMPONENT OF ENGINE/POWERHEAD GASKET SET 43186A 1

FRONT MOUNT



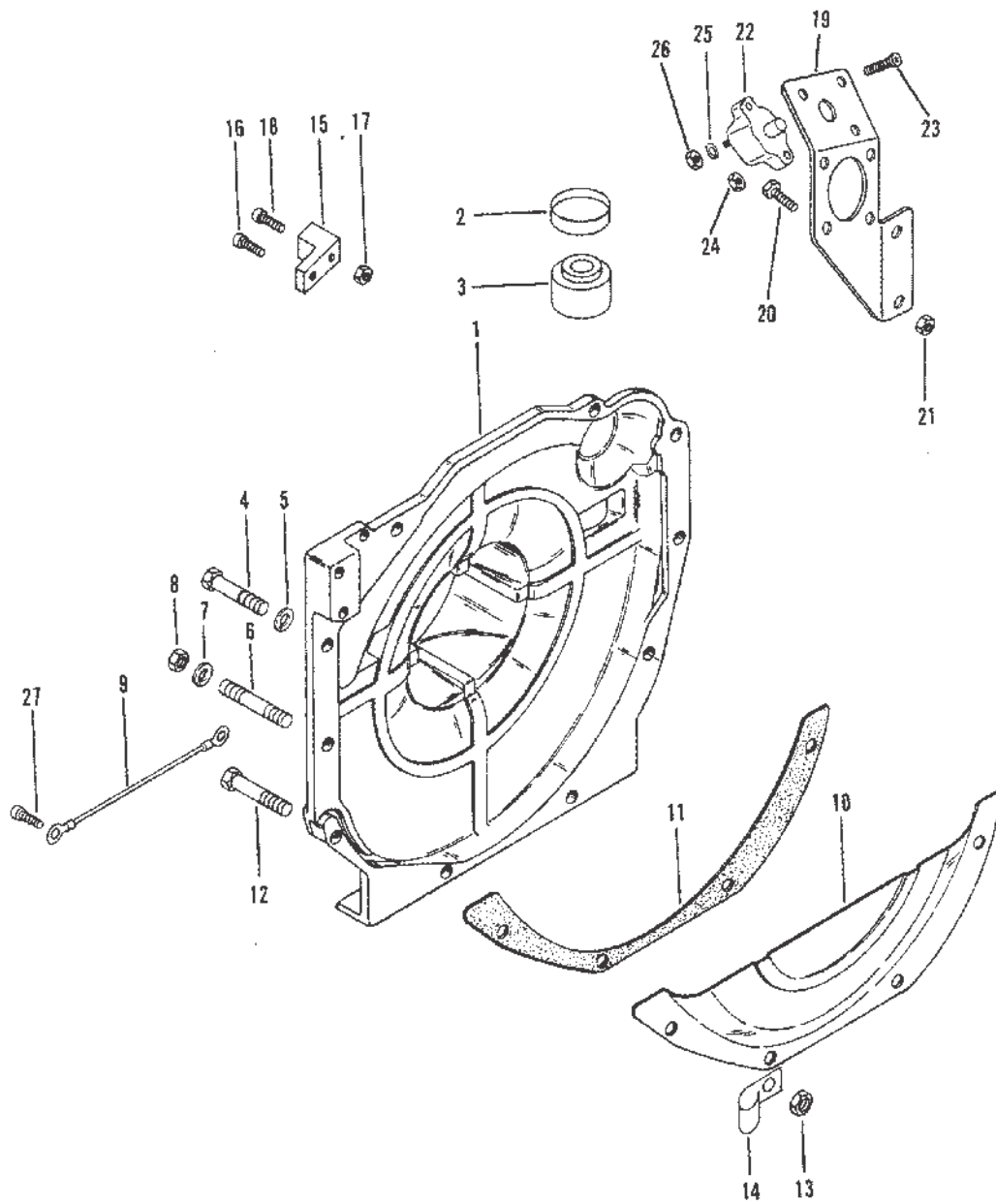
39470

FRONT MOUNT

Ref #	Part Class	Part Number	Description	Comments	Qty	Note
1	0000	77877A2	BRACKET ASSEMBLY Front Mount		1	
2	0000	32833	MOUNT RUBBER		1	
3	0023	35903	SPACER RUBBER MOUNT		1	
4	0016	56295	STUD (.437 x 2.69) MOUNTING BRACKET		3	
5	0012	34567	WASHER MOUNTING BRACKET STUD		3	
6	0011	34933	NUT (.437-20) Stainless Steel MOUNTING BRACKET STUD		3	
7	0000	76839T	MOUNT FRONT SUPPORT		1	
8	0000	78814A1	SUPPORT FRONT (22" CENTERS)		OPT.	
9	0000	78483A1	SUPPORT FRONT (6" CENTERS)		OPT.	
10	0011	32882	NUT (.875-14) FRONT SUPPORT MOUNTING TO ADJUSTING STUD		1	
11	0011	47525	NUT (.875-14) Bottom - FRONT SUPPORT MOUNTING TO ADJUSTING STUD		1	
12	0011	32882	NUT (.875-14) ADJUSTING STUD		1	
13	0016	36100T	STUD ADJUSTING		1	
14	0012	36103	WASHER (Steel, 1.75 Inch Outside Diameter) STEEL - UPPER AND LOWER		2	
15	0012	32638	WASHER Rubber ADJUSTING STUD		1	
16	0012	30119	WASHER (.875 Inch Outside Diameter) SPACER - ADJUSTING STUD		1	
17	0023	32756	SPACER ADJUSTING STUD		1	
18	0012	36104	WASHER Rubber ADJUSTING STUD		1	
19	0011	20220	NUT (.500-20) ADJUSTING STUD		1	

FRONT MOUNT

FLYWHEEL HOUSING



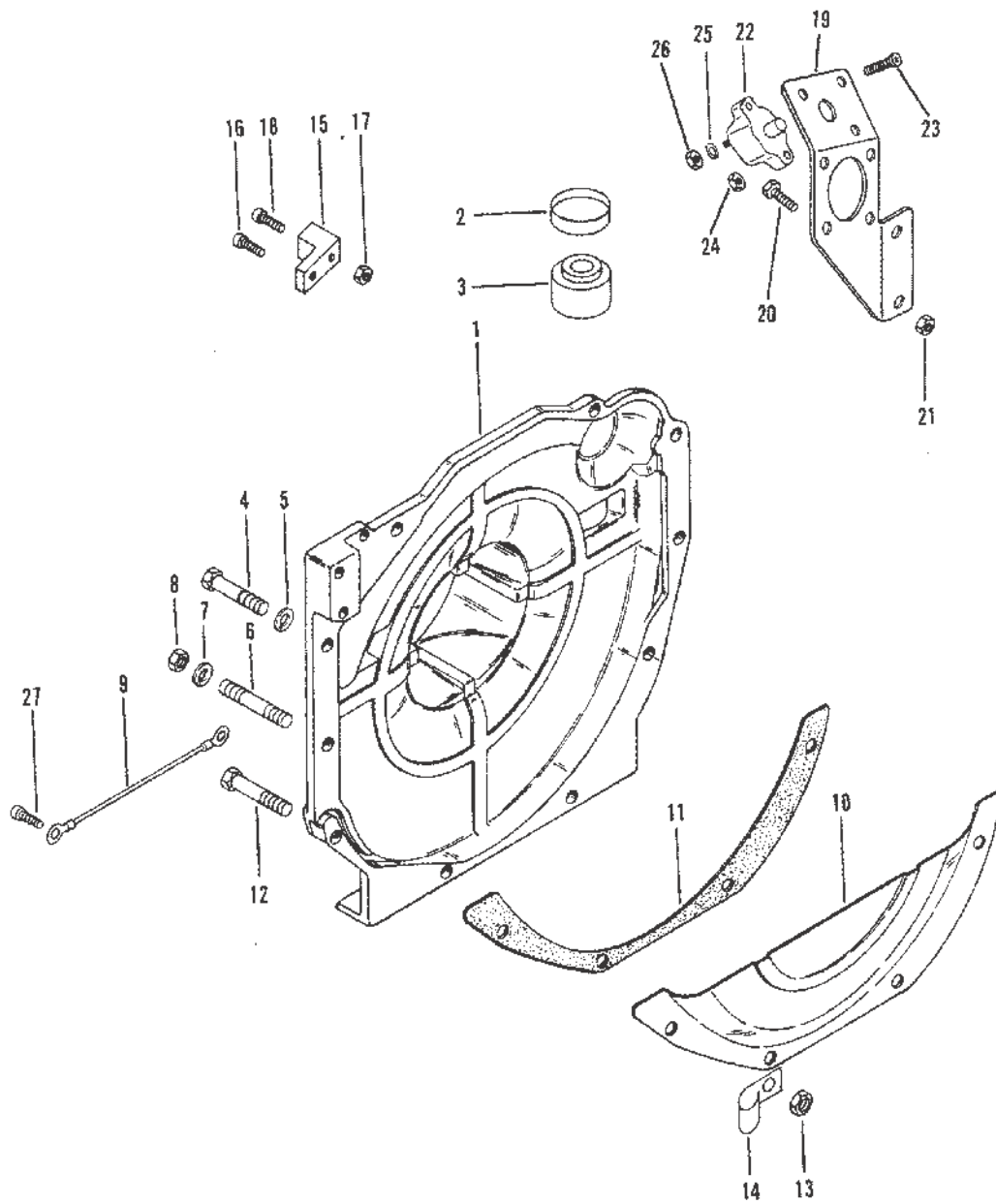
39471

FLYWHEEL HOUSING

Ref #	Part Class	Part Number	Description	Comments	Qty	Note
1	0000	94985A2	HOUSING ASSEMBLY Flywheel		1	
2	0023	99322	SPACER RUBBER MOUNT		2	
3	0000	12619	MOUNT RUBBER		2	
4	0010	37612	SCREW (.375-16 x 1.250) FLYWHEEL HOUSING		3	
5	0013	35048	LOCKWASHER (.375) FLYWHEEL HOUSING SCREW		4	
6	0016	64066	STUD (.375-16 x 2.750) Special FLYWHEEL HOUSING		1	
7	0013	35048	LOCKWASHER (.375) FLYWHEEL HOUSING STUD		1	
8	0011	32219	NUT (.375-16) FLYWHEEL HOUSING STUD		1	
9	0084	62826A6	CABLE ASSEMBLY Ground (13.00 Inches) Black FLYWHEEL HOUSING STUD		1	
10	0000	95026A2	COVER FLYWHEEL HOUSING		1	
11	0027	94976	GASKET FLYWHEEL HOUSING COVER		1	[1]
12	0010	26065	SCREW (.312-24 x 1.00)		4	
13	0011	29250	NUT (.312-24) COVER TO FLYWHEEL HOUSING AND CLAMP SCREW		4	
14	0054	61001	J CLIP SHIFT CABLE ATTACHING		1	
15	0086	45915	TERMINAL BLOCK	Use where Applicable	1	
16	0010	20189	SCREW (.190-32 x .75) TERMINAL BLOCK	Use where Applicable	1	
17	0011	27164	NUT AND LOCKWASHER (#10-32) TERMINAL BLOCK SCREW	Use where Applicable	1	
18	0010	62568	SCREW (#10-16 x .375) LEAD ATTACHING	Use where Applicable	1	
19	0000	43182	BRACKET CIRCUIT BREAKER		1	
20	0010	78038	SCREW (.250-20 x 1.75) CIRCUIT BREAKER BRACKET TO FLYWHEEL HOUSING		2	
21	0011	72008	NUT (.250-20) CIRCUIT BREAKER BRACKET SCREW		2	
22	0088	11178	BREAKER Circuit - 50 Ampere (50 AMP)		1	
23	0010	45862	SCREW (#10-32 x .875)		2	
24	0011	46438	NUT (#10-32) CIRCUIT BREAKER SCREW		2	
25	0013	26996	LOCKWASHER (#10) Stainless Steel CIRCUIT BREAKER TERMINAL		2	
26	0011	68219	NUT (#10-32) Stainless Steel CIRCUIT BREAKER TERMINAL		2	
27	0010	85486	SCREW (.250-20 x .380) Stainless Steel GROUND WIRE TO TRANSOM PLATE		1	
-	0027	43186A1	GASKET SET		1	

FLYWHEEL HOUSING

FLYWHEEL HOUSING



39471

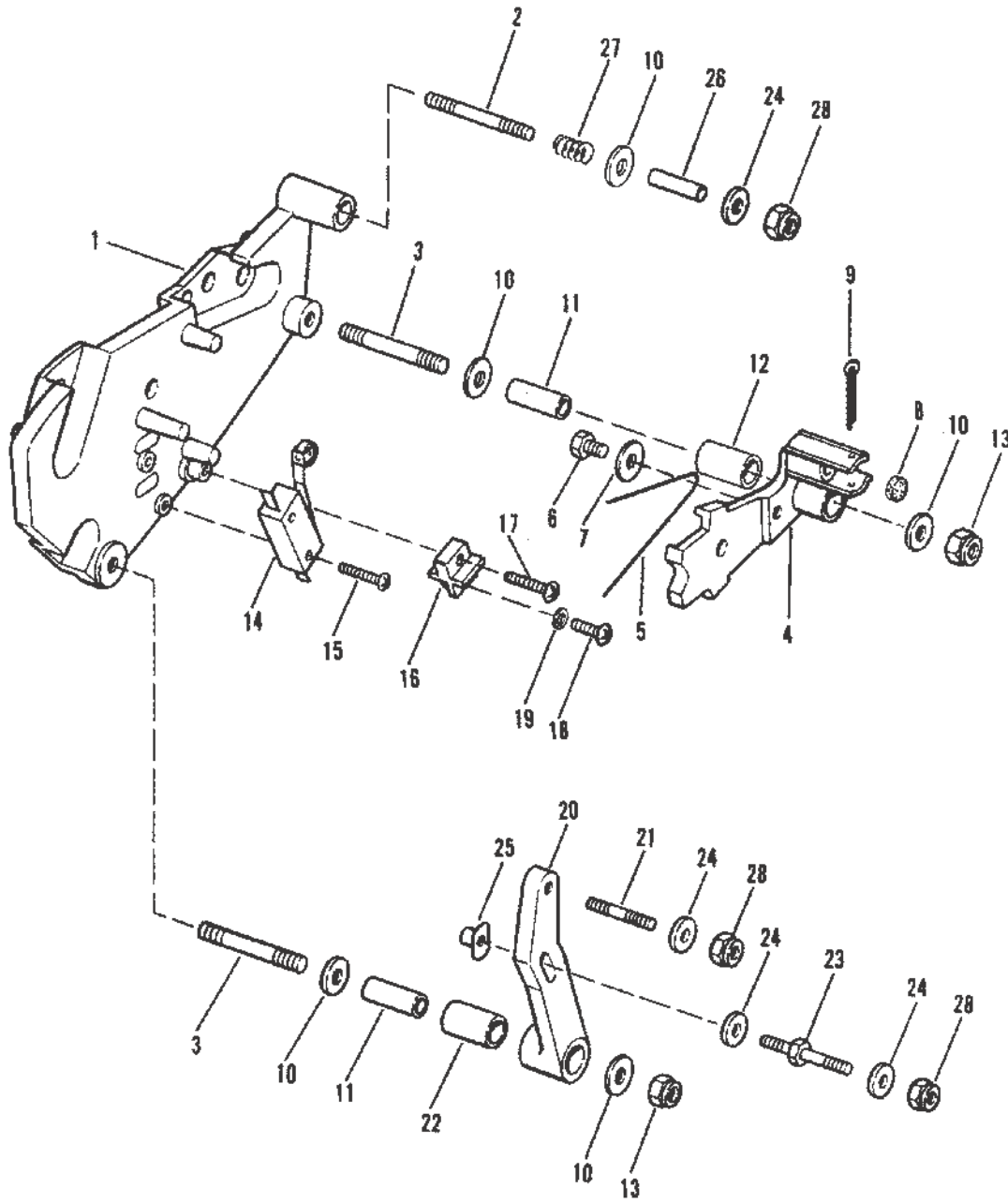
Cat.# 90-12488

FLYWHEEL HOUSING

PART NOTES:

[1] - COMPONENT OF ENGINE/POWERHEAD GASKET SET 43186A 1

SHIFT COMPONENTS (OLD DESIGN)



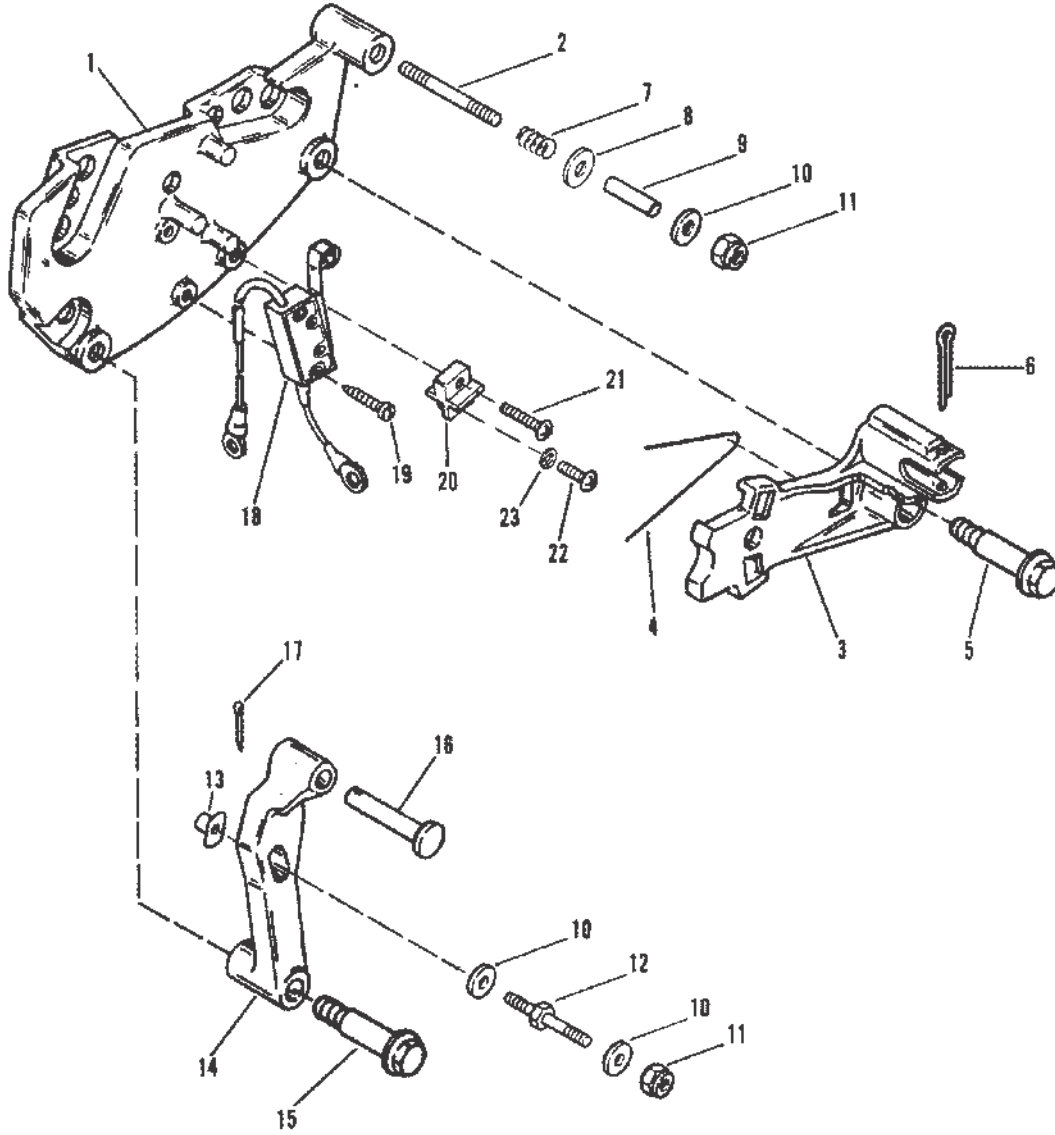
39324

SHIFT COMPONENTS (OLD DESIGN)

Ref #	Part Class	Part Number	Description	Comments	Qty	Note
1	0000	99237A10	BRACKET ASSEMBLY (EARLY MODELS)		1	
2	0016	98798	STUD SHIFT CABLE		1	
3	0016	96108	STUD SHIFT BRACKET		2	
4	0000	13051A4	LEVER ASSEMBLY Actuating		1	
5	0024	45599	SPRING ACTUATING LEVER		1	
6	0010	88743	SCREW (.312-18 x .500) SPRING TO LEVER		1	
7	0012	56720	WASHER (.330 x .750 x .060) Stainless Steel SPRING SCREW		1	
8	0023	98828	SPACER RUBBER PAD		1	
9	0018	32857	COTTER PIN SHIFT CABLE RETAINING		1	
10	0012	56720	WASHER (.330 x .750 x .060) Stainless Steel SHIFT BRACKET STUD		5	
11	0023	37981	SPACER SHIFT BRACKET STUD		2	
12	0023	45600	SLEEVE ACTUATING LEVER		1	
13	0011	35814	NUT (.312-24) Stainless Steel SHIFT BRACKET STUD		2	
14	0000	39670A28	SWITCH ASSEMBLY CUT-OUT		1	
15	0010	30902	SCREW (#6-32 x .750) SWITCH TO SHIFT BRACKET		2	
16	0086	66986	TERMINAL BLOCK		1	
17	0010	96113	SCREW (#10-32 x .880) Stainless Steel TERMINAL BLOCK		1	
18	0010	73287	SCREW (#10-32 x .380) TERMINAL BLOCK		1	
19	0013	26996	LOCKWASHER (#10) Stainless Steel TERMINAL BLOCK SCREW		2	
20	0000	13898A3	LEVER ASSEMBLY Shift		1	
21	0016	98851	STUD SHIFT CABLE		1	
22	0023	45600	SLEEVE SHIFT LEVER		1	
23	0016	96112	STUD (.250-28 x 2.00) Throttle Cable Anchor-SHIFT CABLE		1	
24	0012	35462	WASHER (.2656 x .625 x .0625) Stainless Steel SHIFT CABLE STUD		4	
25	0011	63341	TEE NUT SHIFT CABLE STUD		1	
26	0023	98820	SPACER SHIFT CABLE STUD		1	
27	0024	98880	SPRING SHIFT CABLE STUD		1	
28	0011	20361	NUT (.250-28) SHIFT CABLE STUD		3	

SHIFT COMPONENTS (OLD DESIGN)

SHIFT BRACKET (NEW DESIGN)



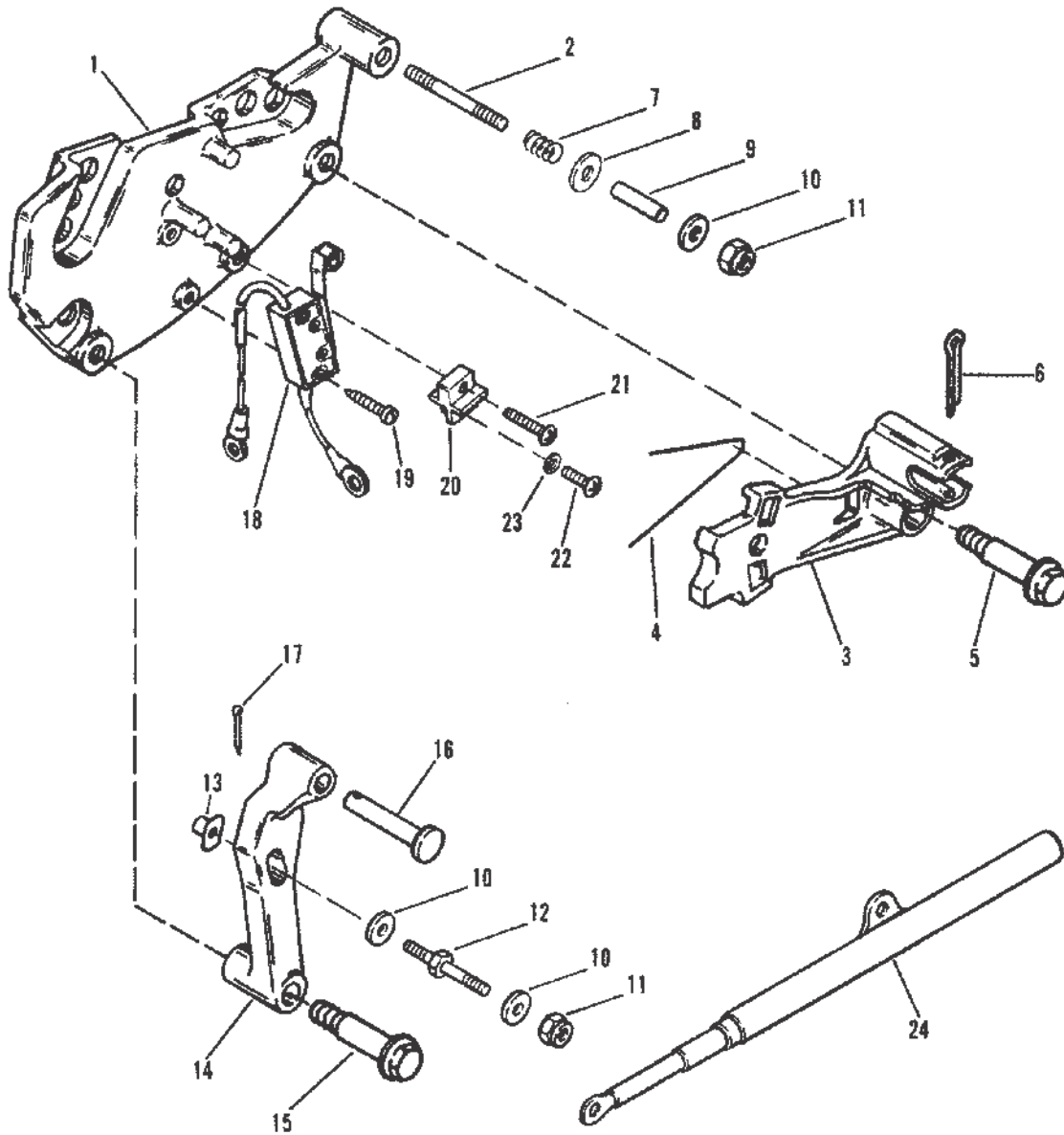
39472

SHIFT BRACKET (NEW DESIGN)

Ref #	Part Class	Part Number	Description	Comments	Qty	Note
1	0000	99237A10	BRACKET ASSEMBLY		1	
2	0016	98798	STUD SHIFT CABLE		1	
3	0000	13051A4	LEVER ASSEMBLY Actuating		1	
4	0024	45599	SPRING ACTUATING LEVER		1	
5	0010	13743	SCREW (.312-18 x 1.843) Shoulder - LEVER		1	
6	0018	32857	COTTER PIN SHIFT CABLE RETAINING		1	
7	0024	98880	SPRING SHIFT CABLE STUD		1	
8	0012	56720	WASHER (.330 x .750 x .060) Stainless Steel SHIFT BRACKET STUD		1	
9	0023	98820	SPACER SHIFT CALBE STUD		1	
10	0012	35462	WASHER (.2656 x .625 x .0625) Stainless Steel SHIFT CABLE STUD		3	
11	0011	13438	NUT (.250-28) SHIFT CALBE STUD		2	
12	0016	96112	STUD (.250-28 x 2.00) Throttle Cable Anchor-SHIFT CABLE		1	
13	0011	63341	TEE NUT SHIFT CABLE STUD		1	
14	0000	13898A3	LEVER ASSEMBLY Shift		1	
15	0010	13743	SCREW (.312-18 x 1.843) Shoulder - SHIFT LEVER		1	
16	0017	68402	PIN (.250 x 1.13) SHIFT LEVER		1	
17	0018	21071	COTTER PIN SHIFT LEVER		1	
18	0000	39670A28	SWITCH ASSEMBLY CUT-OUT		1	
19	0010	30902	SCREW (#6-32 x .750) SWITCH TO SHIFT BRACKET		2	
20	0086	66986	TERMINAL BLOCK		1	
21	0010	96113	SCREW (#10-32 x .880) Stainless Steel TERMINAL BLOCK		1	
22	0010	73287	SCREW (#10-32 x .380) TERMINAL BLOCK		1	
23	0013	26996	LOCKWASHER (#10) Stainless Steel TERMINAL BLOCK SCREW		2	

SHIFT BRACKET (NEW DESIGN)

SHIFT BRACKET NEW DESIGN - WITH SPRING GUIDE



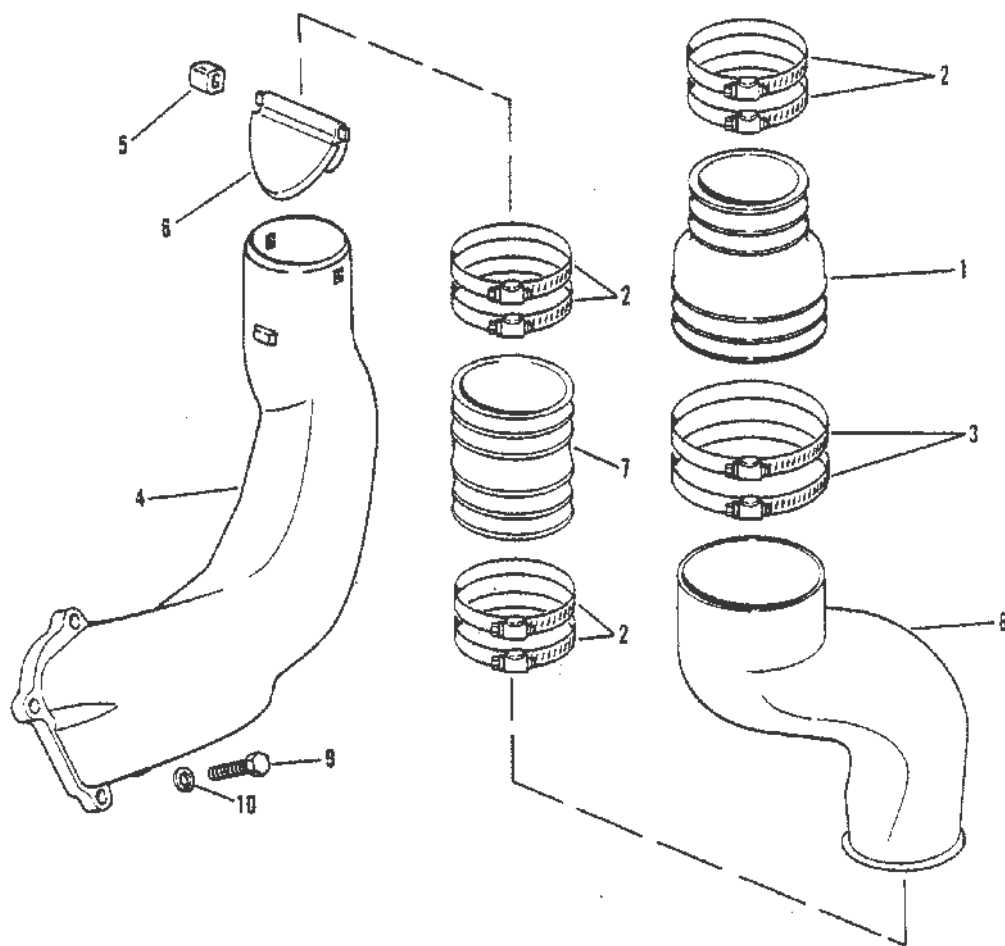
39281

SHIFT BRACKET NEW DESIGN - WITH SPRING GUIDE

Ref #	Part Class	Part Number	Description	Comments	Qty	Note
1	0000	99237A10	BRACKET ASSEMBLY		1	
2	0016	814002	STUD SHIFT CABLE		1	
3	0000	13051A4	LEVER ASSEMBLY Actuating		1	
4	0024	45599	SPRING ACTUATING LEVER		1	
5	0010	13743	SCREW (.312-18 x 1.843) Shoulder - LEVER		1	
6	0018	32857	COTTER PIN SHIFT CABLE RETAINING		1	
7	0024	98880	SPRING SHIFT CABLE STUD		1	
8	0012	56720	WASHER (.330 x .750 x .060) Stainless Steel SHIFT BRACKET STUD		1	
9	0023	814003	SPACER SHIFT CABLE STUD		1	
10	0012	35462	WASHER (.2656 x .625 x .0625) Stainless Steel SHIFT CABLE STUD		4	
11	0011	13438	NUT (.250-28) SHIFT CABLE STUD		2	
12	0016	96112	STUD (.250-28 x 2.00)		1	
13	0011	63341	TEE NUT		1	
14	0000	13898A3	LEVER ASSEMBLY Shift		1	
15	0010	13743	SCREW (.312-18 x 1.843) Shoulder - SHIFT LEVER		1	
16	0017	814001	PIN Clevis - SHIFT LEVER		1	
17	0018	21071	COTTER PIN SHIFT LEVER		1	
18	0000	39670A28	SWITCH ASSEMBLY CUT-OUT		1	
19	0010	30902	SCREW (#6-32 x .750) SWITCH TO SHIFT BRACKET		2	
20	0086	66986	TERMINAL BLOCK		1	
21	0010	96113	SCREW (#10-32 x .880) Stainless Steel TERMINAL BLOCK		1	
22	0010	73287	SCREW (#10-32 x .380) TERMINAL BLOCK		1	
23	0013	26996	LOCKWASHER (#10) Stainless Steel TERMINAL BLOCK SCREW		2	
24	0000	813995A1	GUIDE ASSEMBLY Spring		1	

SHIFT BRACKET NEW DESIGN - WITH SPRING GUIDE

EXHAUST ELBOW



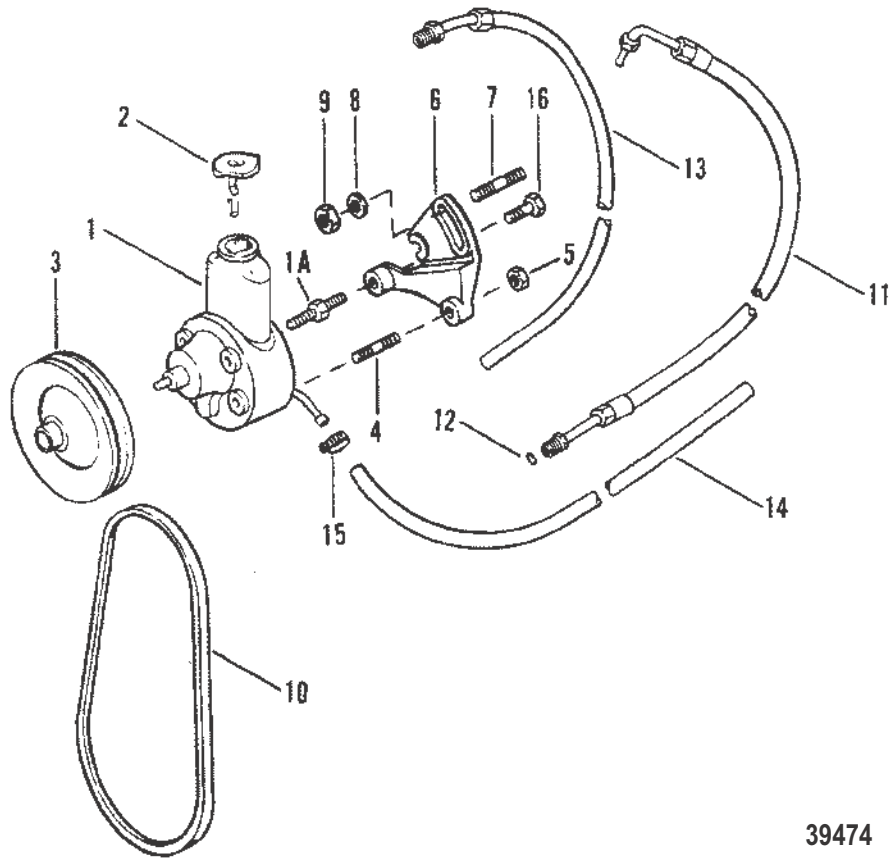
39473

EXHAUST ELBOW

Ref #	Part Class	Part Number	Description	Comments	Qty	Note
1	0000	70981A3	BELLOWS ASSEMBLY EXHAUST ELBOW TO ENGINE		1	
2	0054	33683	CLAMP BELLOWS (SMALL)		6	
3	0054	31765	CLAMP BELLOWS (LARGE)		2	
4	0000	42421A5	ELBOW ASSEMBLY Exhaust - LOWER		1	
5	0025	43809	GROMMET WATER SHUTTER		2	
6	0000	60930	SHUTTER Water		1	
7	0032	90949T	TUBE Exhaust		1	
8	0000	42423A1	ELBOW ASSEMBLY Exhaust UPPER		1	
9	0010	58640	SCREW (.375-16 x 1.25) ELBOW TO GIMBAL HOUSING		4	
10	0013	41471	LOCKWASHER (.375) ELBOW SCREW		4	

EXHAUST ELBOW

POWER STEERING COMPONENTS

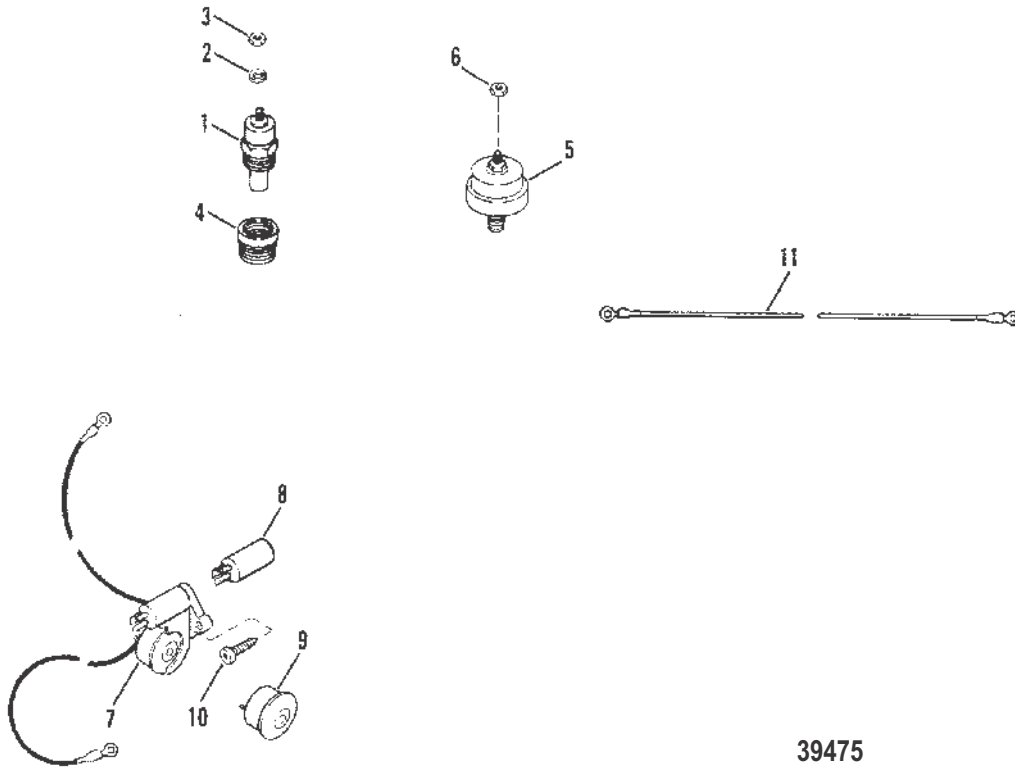


39474

POWER STEERING COMPONENTS

Ref #	Part Class	Part Number	Description	Comments	Qty	Note
1	0000	90495A7	PUMP ASSEMBLY POWER STEERING		1	
1A	0016	41878	STUD POWER STEERING PUMP		2	
2	0000	77108	CAP POWER STEERING PUMP		1	
3	0000	73873A1	PULLEY POWER STEERING PUMP		1	
4	0016	90511	STUD POWER STEERING PUMP		1	
5	0011	25269	NUT (.375-24) MOUNTING STUD		1	
6	0000	90510A1	BRACKET PUMP MOUNTING		1	
7	0016	54176	STUD (1 5/8) MOUNTING	(NON STEPSTUD)	2	
7	0016	13363	STUD MOUNTING	STEPSTUDS	1	
7	0016	13364	STUD MOUNTING	STEPSTUDS	1	
8	0012	55149	WASHER MOUNTING STUD		2	
9	0011	25269	NUT (.375-24) MOUNT STUD		2	
10	0057	49043A1	V BELT POWER STEERING PUMP		1	
11	0032	90494	HOSE PRESSURE (FITTINGS ON BOTH ENDS)		1	
12	0025	89879	O-RING (.301 x .064) PRESSURE HOSE		1	
13	0032	9884339	HOSE ASSEMBLY (72.00 Inches Bulk) RETURN (FITTINGS ON ONE END)		1	
14	0032	5251914	HOSE (53.00 Inches Bulk) PUMP TO OIL COOLER		1	
15	0054	35830	CLAMP HOSE ATTACHING		3	
16	0010	4008420	SCREW (M10 x 20) PUMP MOUNTING		1	

AUDIO WARNING SYSTEM



39475

AUDIO WARNING SYSTEM

Ref #	Part Class	Part Number	Description	Comments	Qty	Note
1	0087	86080	SWITCH Temperature WATER		1	
2	0013	26996	LOCKWASHER (#10) Stainless Steel TEMPERATURE SWITCH		1	
3	0011	45076	NUT (#10-32) Brass TEMPERATURE SWITCH		1	
5	0000	38559	SWITCH		1	
6	0011	45076	NUT (#10-32) Brass PRESSURE SWITCH TERMINAL		1	
7	0000	86047A11	HOUSING KIT		1	
8	0000	86045	TIMER TEMPERATURE BUZZER		1	
9	0000	68878A6	HORN ASSEMBLY Buzzer Alarm		1	
10	0010	69013	SCREW (#10-16 x .880) HORN ATTACHING		2	
11	0084	13760A6	WIRE ASSEMBLY TAN/BLUE		1	

PARTS INDEX

Part No.	Description	Pg.	Ref.no	Part No.	Description	Pg.	Ref.no
11004	FILTER	16	20	11004	FILTER	22	16
11149A5	HARNES ASSEMBLY Adapter	6	-	11178	BREAKER Circuit - 50 Ampere (50 AMP)	60	22
118571	DECAL ROCKER COVER	44	6	11857170	DECAL ROCKER COVER	44	6
11857190	DECAL ROCKER COVER	44	6	118572	DECAL ROCKER COVER	44	6
12488	PARTS MANUAL 165 HP - 3.7L/170 HP/180 HP-3.7 L/LX/190 HP	2	-	12600A1	IMPELLER ASSEMBLY Attaches With Stud	56	13
12601	STUD	56	14	12619	MOUNT RUBBER	60	3
13037	SOLENOID SWITCH (4-1/4" & LONG)	10	35	13051A4	LEVER ASSEMBLY Actuating	64	4
13051A4	LEVER ASSEMBLY Actuating	66	3	13051A4	LEVER ASSEMBLY Actuating	68	3
13130	CAP Pressure - FILLER	34	26	13234A1	BASE FILLER HOLE	34	21
13234A1	BASE FILLER HOLE FILLER HOLE	38	21	13363	STUD MOUNTING	72	7
13364	STUD MOUNTING	72	7	13438	NUT (.250-28) SHIFT CALBE STUD	66	11
13438	NUT (.250-28) SHIFT CABLE STUD	68	11	13709T	GASKET CYLINDER HEAD	44	20
1372352	DECAL COVER (3.7L)	16	27	1372354	DECAL COVER (3.7L/LX)	24	39
13743	SCREW (.312-18 x 1.843) Shoulder - LEVER	66	5	13743	SCREW (.312-18 x 1.843) Shoulder - SHIFT LEVER	66	15
13743	SCREW (.312-18 x 1.843) Shoulder - LEVER	68	5	13743	SCREW (.312-18 x 1.843) Shoulder - SHIFT LEVER	68	15
13760A6	WIRE ASSEMBLY TAN/BLUE	74	11	13838A1	PUMP ASSEMBLY Oil - New Design Cast Iron Pump	48	8
13843A2	TUBE ASSEMBLY Oil Pick Up - New Design Cast Iron Pump	48	11	13898A3	LEVER ASSEMBLY Shift	64	20
13898A3	LEVER ASSEMBLY Shift	66	14	13898A3	LEVER ASSEMBLY Shift	68	14
14957	FILTER Oil	50	42	15001	SCREW (#8-16 x .875)	4	21
15103A1	BEARING ASSEMBLY Center Main	52	19	15103A4	BEARING ASSEMBLY Center Main	52	19
15874	NUT (M10) BATTERY TERMINAL	4	7	15995	SENDER WATER TEMPERATURE	34	10
15995	SENDER WATER TEMPERATURE	38	10	1681215	DECAL ROCKER COVER	44	6
17878A5	COVER Carburetor - FLAME ARRESTOR	16	26	17878A5	COVER Carburetor - FLAME ARRESTOR-	24	38
18020	STUD FLAME ARRESTOR (.250-20 x 2.50)	16	2	18080	SOLENOID SWITCH (3.625)	10	35
18272	GASKET ELBOW AND RESERVIOR TO MANIFOLD	34	28	20084	WASHER (.328 x .562 x .062) IGNITION COIL SCREW	12	30
20084	WASHER (.328 x .562 x .062) CARBURETOR STUD	16	11	20084	WASHER (.328 x .562 x .062) CARBURETOR SCREW	22	26
20084	WASHER (.328 x .562 x .062) FRONT COVER SCREW	56	6	20084	WASHER (.328 x .562 x .062) COVER SCREWS	56	18
20110	NUT (#10-32) INTERMEDIATE THROTTLE STUD	28	13	20110	NUT (#10-32) SWIVEL LINKAGE - CARBURETOR	28	23
20128	WASHER THROTTLE CABLE SCREW	22	29	20189	SCREW (.190-32 x .75) TERMINAL BLOCK	60	16
20190	NUT (#10-32) THROTTLE CABLE SCREW	22	33	20220	NUT (.500-20) ADJUSTING STUD	58	19
20361	NUT (.250-28) THROTTLE CABLE STUD	24	36	20361	NUT (.250-28) SHIFT CABLE STUD	64	28
20553	WASHER (.406 x .734 x .063) LEVER SCREW	28	15	20586	NUT (.250-28) FLAME ARRESTOR STUD	16	16
20586	NUT (.250-28) FLAME ARRESTOR STUD	22	12	20586	NUT (.250-28) THROTTLE CABLE STUD	24	37
20586	NUT (.250-28) THROTTLE CABLE ANCHOR STUD	28	26	20586	NUT (.250-28) THROTTLE CABLE ANCHOR	46	32
21071	COTTER PIN SHIFT LEVER	66	17	21071	COTTER PIN SHIFT LEVER	68	17
21249	WASHER INLET COVER SCREW	56	22	21804	LOCKWASHER	56	11
22053	NUT (.312-24) SOLENOID TERMINAL	4	18	23703	SCREW (.312-18 x .88)	56	12
24664	WASHER (M4 x 20) THROTTLE CABLE ANCHOR STUD	28	25	24664	WASHER (M4 x 20) THROTTLE CABLE ANCHOR	46	31
24883	NUT EXHAUST MANIFOLD STUD	34	8	24883	NUT EXHAUST MANIFOLD STUD	38	8
25269	NUT (.375-24) MOUNTING STUD	72	5	25269	NUT (.375-24) MOUNT STUD	72	9
25594	NUT (.9375-24) CARBURETOR STUD	16	10	25909	WASHER (.406 x .812 x .065) STARTER MOTOR SCREW	4	3
25909	WASHER (.406 x .812 x .065) INTAKE MANIFOLD SCREW	28	6	25909	WASHER (.406 x .812 x .065) INTAKE MANIFOLD SCREW	32	6
25909	WASHER (.406 x .812 x .065) BOTTLE SCREW	36	37	25909	WASHER (.406 x .812 x .065) BOTTLE SCREW	40	37
26065	SCREW (.312-24 x 1.00)	60	12	26079	PLATE	4	20
26079A2	PLATE KIT Wire Harness Mount	4	20	26419	NUT (#8-32) Brass STARTER MOTOR TERMINAL	4	7
26484	NUT (.312-18) SHIFT LEVER STUD	10	30	26484	NUT (.312-18) "U" BOLT	42	14
26543	O-RING SIDE COVER SCREW	50	34	26825	WASHER (.328 x .750 x .06) THERMOSTAT HOUSING SCREW	34	16
26825	WASHER (.328 x .750 x .06) THERMOSTAT HOUSING SCREW	38	16	26901	BUMPER SOLENOID	4	14
26992	LOCKWASHER (.250) Stainless Steel SOLENOID SCREW	4	13	26992	LOCKWASHER (.250) Stainless Steel VOLTAGE REGULATOR SCREW	4	27
26992	LOCKWASHER (.250) Stainless Steel COVER SCREW	32	13	26992	LOCKWASHER (.250) Stainless Steel COVER SCREW	48	10
26993	LOCKWASHER (.312) SOLENOID TERMINAL	4	17	26993	LOCKWASHER (.312) DISTRIBUTOR SCREW	12	36

PARTS INDEX

Part No.	Description	Pg.	Ref.no	Part No.	Description	Pg.	Ref.no
26996	LOCKWASHER (#10) Stainless Steel SOLENOID TERMINAL	4	15	26996	LOCKWASHER (#10) Stainless Steel SENDING UNIT TERMINAL	4	23
26996	LOCKWASHER (#10) Stainless Steel IGNITION COIL TERMINAL	12	32	26996	LOCKWASHER (#10) Stainless Steel STATOR SCREW	52	6
26996	LOCKWASHER (#10) Stainless Steel CIRCUIT BREAKER TERMINAL	60	25	26996	LOCKWASHER (#10) Stainless Steel TERMINAL BLOCK SCREW	64	19
26996	LOCKWASHER (#10) Stainless Steel TERMINAL BLOCK SCREW	66	23	26996	LOCKWASHER (#10) Stainless Steel TERMINAL BLOCK SCREW	68	23
26996	LOCKWASHER (#10) Stainless Steel TEMPERATURE SWITCH	74	2	27164	NUT AND LOCKWASHER (#10-32) TERMINAL BLOCK SCREW	60	17
27947	SWIVEL LINKAGE	28	17	28635	SCREW (.250-20 x .620) Stainless Steel SOLENOID TO CYLINDER BLOCK	4	12
28642	SCREW (#2 x 0.25) DRIVE - WATER TUPE FLANGE	28	3	28642	SCREW (#2 x 0.25) WATER TUBE FLANGE	32	3
28642	SCREW (#2 x 0.25) DRIVE	34	20	28642	SCREW (#2 x 0.25) DRIVE	38	20
28668	SCREW (.250-20 x .875) Stainless Steel COVER TO OIL PUMP	48	9	28668	SCREW (.250-20 x .875) Stainless Steel INLET COVER TO IMPELLER COVER (7/8")	56	21
28941	NUT FLAME ARRESTOR STUD	16	3	28941	NUT FLAME ARRESTOR STUD	22	3
29031	NUT (1/4-20) STARTER MOTOR TERMINAL (1/4-20)	4	5	29077	PIN Roll DISTRIBUTOR GEAR	12	3
29245	WASHER (.281 x .500 x .060) Stainless Steel THROTTLE CABLE STUD	22	35	29250	NUT (.312-24) COVER TO FLYWHEEL HOUSING AND CLAMP SCREW	60	13
30119	WASHER (.875 Inch Outside Diameter) SPACER - ADJUSTING STUD	58	16	30164	WASHER (.192 x .375 x .0312) Stainless Steel IGNITION COIL TERMINAL	12	31
30164	WASHER (.192 x .375 x .0312) Stainless Steel INTERMEDIATE THROTTLE STUD	28	12	30164	WASHER (.192 x .375 x .0312) Stainless Steel SWIVEL LINKAGE - CARBURETOR	28	22
30902	SCREW (#6-32 x .750) SWITCH TO SHIFT BRACKET	64	15	30902	SCREW (#6-32 x .750) SWITCH TO SHIFT BRACKET	66	19
30902	SCREW (#6-32 x .750) SWITCH TO SHIFT BRACKET	68	19	31263	WASHER MOUNT STUD	42	9
31765	CLAMP BELLOWS (LARGE)	70	3	31984	SCREW (.312-18 x 1.375) FUEL PUMP	16	21
31984	SCREW (.312-18 x 1.375) FUEL PUMP	22	17	32193A2	COIL ASSEMBLY IGNITION	12	26
32219	NUT (.375-16) FLYWHEEL HOUSING STUD	60	8	32638	WASHER Rubber ADJUSTING STUD	58	15
32720	CONNECTOR OIL FILTER	50	41	32756	SPACER ADJUSTING STUD	58	17
32780	CLAMP HOSE TO WATER PUMP	30	30	32780	CLAMP HOSE TO WATER PUMP	32	15
32780	CLAMP HOSE ATTACHING	42	19	32780	CLAMP HOSE TO HEAD EXCHANGER	42	21
32780	CLAMP HOSE ATTACHING	42	25	32780	CLAMP HOSE ATTACHING	42	28
32780	CLAMP HOSE ATTACHING	44	29	32781	CLAMP HOSE TO INTAKE MANIFOLD	30	31
32781	CLAMP HOSE TO INTAKE MANIFOLD	30	33	32781	CLAMP HOSE TO INTAKE MANIFOLD	32	16
32781	CLAMP HOSE TO INTAKE MANIFOLD	32	18	32781	CLAMP HOSE TO EXHAUST MANIFOLD	42	22
32802	PLUG Pipe (.125-27) INTAKE MANIFOLD - TOP	32	2	32802	PLUG Pipe (.125-27)	38	2
32802	PLUG Pipe (.125-27)	38	18	32802	PLUG Pipe (.125-27) HEAD EXCHANGER	42	2
32802	PLUG Pipe (.125-27) CYLINDER BLOCK	48	6	32802	PLUG Pipe (.125-27) DRAIN	56	4
32803	PLUG Pipe (.375-18) Brass DRAIN	34	3	32803	PLUG Pipe (.375-18) Brass DRAIN	38	3
32833	MOUNT RUBBER	58	2	32857	COTTER PIN SHIFT CABLE RETAINING	64	9
32857	COTTER PIN SHIFT CABLE RETAINING	66	6	32857	COTTER PIN SHIFT CABLE RETAINING	68	6
32882	NUT (.875-14) FRONT SUPPORT MOUNTING TO ADJUSTING STUD	58	10	32882	NUT (.875-14) ADJUSTING STUD	58	12
32993	LOCKWASHER (.437) ELBOW AND RESERVIOR SCREW	38	30	32993	LOCKWASHER (.437) LIFTING EYE SCREW-FRONT	44	26
33036	RETAINER CARBURETOR COVER	16	7	33036	RETAINER CARBURETOR COVER	22	7
33047	SCREW COVER CLIP	16	6	33047	SCREW COVER CLIP	22	6
33122	NUT THROTTLE STOP SCREW	28	28	33198A1	PLUG (3/4-14)	38	19
3322070	HOSE (48.00 Inches Bulk) COOLER TO HEAD EXCHANGER	42	23	3322070	HOSE (48.00 Inches Bulk) HEAT EXCHANGER TO EXHAUST ELBOW	42	27
33270	BRUSH FIELD FRAME	8	22	33278	BUSHING DRIVE END HOUSING	8	2
33283	HOLDER FIELD FRAME BRUSH GROUND	8	21	33284	HOLDER INSULATED - FIELD FRAME BRUSH	8	20
33285	SPRING FIELD FRAME BRUSH	8	25	33290	RING Retaining PINION STOP COLLAR	8	4
33291	COLLAR PINION STOP	8	5	33292	COLLAR THRUST	8	3
33294	SUPPORT GROUND AND INSULATED HOLDERS	8	24	33297	LEVER SHIFT	8	27
33650	SCREW BREAKER	12	11	33653	FELT LUBRICATOR	12	5
33658	LEAD PRIMARY	12	13	33662	CONDENSER	12	7
33666	GROMMET PRIMARY WIRE	12	12	33683	CLAMP BELLOWS (SMALL)	70	2
34235	BREAKER ASSEMBLY	12	10	34354	SCREW (.375-16 x 1.50) VOLTAGE REGULATOR	6	28
344863	GASKET DISTRIBUTOR	12	19	34567	WASHER MOUNTING BRACKET STUD	58	5
34696	SCREW (#8-32 x .750) Use with Metal Plate	4	21	34933	NUT (.437-20) Stainless Steel MOUNT STUD	42	10

PARTS INDEX

Part No.	Description	Pg.	Ref.no	Part No.	Description	Pg.	Ref.no
34933	NUT (.437-20) Stainless Steel MOUNTING BRACKET STUD	58	6	34948	SPACER THROTTLE CABLE SCREW	22	31
35048	LOCKWASHER (.375) BRACKET SCREW	4	10	35048	LOCKWASHER (.375) EXHAUST MANIFOLD	34	7
35048	LOCKWASHER (.375) EXHAUST MANIFOLD	38	7	35048	LOCKWASHER (.375) HOSE CLAMP SCREW	48	20
35048	LOCKWASHER (.375) OIL PUMP SCREW	48	21	35048	LOCKWASHER (.375) COUPLING SCREW	52	15
35048	LOCKWASHER (.375) FLYWHEEL HOUSING SCREW	60	5	35048	LOCKWASHER (.375) FLYWHEEL HOUSING STUD	60	7
35276	O-RING (.734 x .139) TUPE TO OIL PUMP	48	15	35386	SCREW (.312-18 x 1.00) IDNITION COIL TO CYLINDER BLOCK	12	29
35386	SCREW (.312-18 x 1.00) DISTRIBUTOR TO BLOCK	12	35	35386	SCREW (.312-18 x 1.00)	56	5
35386	SCREW (.312-18 x 1.00) IMPELLER COVER TO FRONT COVER	56	17	35462	WASHER (.2656 x .625 x .0625) Stainless Steel SHIFT CABLE STUD	64	24
35462	WASHER (.2656 x .625 x .0625) Stainless Steel SHIFT CABLE STUD	66	10	35462	WASHER (.2656 x .625 x .0625) Stainless Steel SHIFT CABLE STUD	68	10
35765	SCREW (5/8) OIL PAN (5/8")	48	23	35814	NUT (.312-24) Stainless Steel SHIFT BRACKET STUD	64	13
35830	CLAMP HOSE ATTACHING	72	15	35903	SPACER RUBBER MOUNT	58	3
35950	WASHER (.273 x .437 x .031) Stainless Steel INTERMEDIATE THROTTLE STUD	28	11	35950	WASHER (.273 x .437 x .031) Stainless Steel SWIVEL LINKAGE - CARBURETOR	28	21
36100T	STUD ADJUSTING	58	13	36103	WASHER (Steel, 1.75 Inch Outside Diameter) ALTERNATOR SCREW	52	9
36103	WASHER (Steel, 1.75 Inch Outside Diameter) STEEL - UPPER AND LOWER	58	14	36104	WASHER Rubber ADJUSTING STUD	58	18
36305	ELBOW (90 Degrees) HOSE (W/O POWER STEERING)	34	25	36305	ELBOW (90 Degrees) HOSE (W/O POWER STEERING)	38	25
36382	FITTING (.250-18 x .62) Brass INTAKE MANIFOLD - TOP	28	2	37269	SCREW (.437-14 x 2.00) ELBOW AND RESERVIOR TO MANIFOLD	38	29
37272	LOCKWASHER BOTTLE BRACKET SCREW	36	35	37272	LOCKWASHER BOTTLE BRACKET SCREW	40	35
37612	SCREW (.375-16 x 1.250) OIL PUMP TO ENGINE	48	12	37612	SCREW (.375-16 x 1.250) COUPLING TO FLYWHEEL	52	14
37612	SCREW (.375-16 x 1.250) FLYWHEEL HOUSING	60	4	37981	SPACER SHIFT BRACKET STUD	64	11
38507	SCREW (5/16-18 x 1.313) LEVER TO INTAKE MANIFOLD (1-5/16")	28	14	38525	STUD THROTTLE CABLE ANCHOR	28	24
38525	STUD THROTTLE CABLE ANCHOR	44	30	38559	SWITCH	74	5
38983	SWIVEL LINKAGE - CARBURETOR	28	20	39107	LOCKWASHER (.312-24) FUEL PUMP SCREW	16	22
39107	LOCKWASHER (.312-24) FUEL PUMP SCREW	22	18	39107	LOCKWASHER (.312-24) THERMOSTAT HOUSING SCREW	34	15
39107	LOCKWASHER (.312-24) THERMOSTAT HOUSING SCREW	38	15	39131	LOCKWASHER (.437) FLYWHEEL SCREW	52	12
39670A28	SWITCH ASSEMBLY CUT-OUT	64	14	39670A28	SWITCH ASSEMBLY CUT-OUT	66	18
39670A28	SWITCH ASSEMBLY CUT-OUT	68	18	400211	NUT (M5) Stainless Steel SOLENOID SWITCH TERMINAL	4	7
4008420	SCREW (M10 x 20) PUMP MOUNTING	72	16	41024	MOUNT VIBRATION	42	7
41025	STUD BRACKET	42	11	41408	SCREW (#10-32 x 1.50) BRACKET TO COIL	12	28
41471	LOCKWASHER (.375) ELBOW SCREW	70	10	41505A1	SIDE COVER	50	31
41638A1	ROCKER COVER	44	1	41639A1	FLAME ARRESTOR	22	10
41659	ANCHOR THROTTLE RETURN SPRING	22	22	41878	STUD POWER STEERING PUMP	72	1A
42227890	OWNERS GUIDE	2	-	42350	SPRING THROTTLE RETURN	22	23
42357	O-RING OIL COOLER COVER	32	11	42421A5	ELBOW ASSEMBLY Exhaust - LOWER	70	4
42423A1	ELBOW ASSEMBLY Exhaust UPPER	70	8	42449	VALVE EXHAUS	44	12
42451	VALVE INTAKE	44	12	42725A3	PUMP ASSEMBLY Fuel Fuel	16	19
42725A3	PUMP ASSEMBLY Fuel Fuel	22	15	4285064	HOSE Transom Plate to Housing - WATER INLET	42	16
428611	FITTING Pipe - Brass (.750-14)	34	19	42897	FITTING STRAIGHT - FUEL PUMP	16	24
42897	FITTING STRAIGHT - FUEL	22	20	43182	BRACKET CIRCUIT BREAKER	60	19
43186	GASKET FUEL PUMP	16	25	43186	GASKET FUEL PUMP	22	21
43186A1	GASKET SET	14	-	43186A1	GASKET SET	16	-
43186A1	GASKET SET	24	-	43186A1	GASKET SET	30	-
43186A1	GASKET SET	32	-	43186A1	GASKET SET	36	-
43186A1	GASKET SET	40	-	43186A1	GASKET SET	46	-
43186A1	GASKET SET ENGINE OVERHAUL	50	-	43186A1	GASKET SET	52	-
43186A1	GASKET SET	56	-	43186A1	GASKET SET	60	-
43187A3	LINE ASSEMBLY Fuel	16	13	43510	CLAMP HOSE ATTACHING	42	17
43809	GROMMET WATER SHUTTER	70	5	44181A1	VALVE INTAKE	44	12
44182A1	VALVE EXHAUST	44	12	44520A1	LINE ASSEMBLY Fuel PUMP	22	27
45076	NUT (#10-32) Brass TEMPERATURE SWITCH	74	3	45076	NUT (#10-32) Brass PRESSURE SWITCH TERMINAL	74	6
45084	FITTING Straight HOSE (W/POWER STEERING)	34	24	45084	FITTING Straight HOSE (W/POWER STEERING)	38	24

PARTS INDEX

Part No.	Description	Pg.	Ref.no	Part No.	Description	Pg.	Ref.no
45257	O-RING (1.489 x .070) FILLER BASE	34	22	45257	O-RING (1.489 x .070) FILLER BASE	38	22
45599	SPRING ACTUATING LEVER	64	5	45599	SPRING ACTUATING LEVER	66	4
45599	SPRING ACTUATING LEVER	68	4	45600	SLEEVE ACTUATING LEVER	64	12
45600	SLEEVE SHIFT LEVER	64	22	45862	SCREW (#10-32 x .875)	60	23
45915	TERMINAL BLOCK	60	15	46438	NUT (#10-32) CIRCUIT BREAKER SCREW	60	24
47461	SCREW (.437-14 x 1.00) BOTTLE BRACKET	34	34	47461	SCREW (.437-14 x 1.00) BOTTLE BRACKET	38	34
47525	NUT (.875-14) Bottom - FRONT SUPPORT MOUNTING TO ADJUSTING STUD	58	11	47576	SCREW (.312-18 x .750) FLANGE TO OIL PUMP	48	16
47626	NUT DIPSTICK TUBE TO ELBOW	48	29	48021	SCREW CONDENSER BRACKET	12	9
48024	BRACKET CONDENSER	12	8	48130	SCREW (.375-16 x 4.500) STARTER MOTOR	4	2
48948	SCREW (.437-14 x .880) LIFTING EYE-FRONT	44	25	49043A1	V BELT POWER STEERING PUMP	72	10
49668	SCREW (.250-20 x .750) THRUST PLATE	54	11	49845	SCREW (.437-20 x 1.00) FLYWHEEL TO CRANKSHAFT	52	11
524571	GASKET CARBURETOR	22	8	524571	GASKET	26	-
5251914	HOSE (53.00 Inches Bulk) PUMP TO OIL COOLER	72	14	52743	SCREW (.312-18 x 3.750)	22	24
53101	CLAMP HOSE TO FLAME ARRESTOR	16	18	54090	ELBOW HOSE - CARBURETOR VENT	16	4
54090	ELBOW HOSE - CARBURETOR VENT	22	4	54176	STUD (1 5/8) MOUNTING	72	7
54428	CLAMP HOSE ATTACHING	28	9	54428	CLAMP HOSE ATTACHING	32	9
54428	CLAMP HOSE ATTACHING	36	39	54428	CLAMP HOSE ATTACHING	40	39
54676	RETAINER Two Wire HIGH TENSION LEADS	12	22	55143	CAP Pressure FILLER	38	26
55149	WASHER INTAKE MANIFOLD SCREW	32	6	55149	WASHER MOUNTING STUD	72	8
56153	TAPPET	54	18	56162	KEY VALVE STEM	44	15
56295	STUD (.437 x 2.69) MOUNTING BRACKET	58	4	56681	WASHER (.203 x .500 x .032)	22	32
56720	WASHER (.330 x .750 x .060) Stainless Steel SPRING SCREW	64	7	56720	WASHER (.330 x .750 x .060) Stainless Steel SHIFT BRACKET STUD	64	10
56720	WASHER (.330 x .750 x .060) Stainless Steel SHIFT BRACKET STUD	66	8	56720	WASHER (.330 x .750 x .060) Stainless Steel SHIFT BRACKET STUD	68	8
57792	WASHER LEVER SCREW	28	16	57938	BUSHING THROTTLE CABLE SCREW	22	30
58217	ROTOR	12	14	58219	SEAL HOUSING	12	4
58390	O-RING OIL FILTER ADAPTER	50	37	58640	SCREW (.375-16 x 1.25) ELBOW TO GIMBAL HOUSING	70	9
58643	LOCKWASHER (.375) VOLTAGE REGULATOR SCREW	6	29	59644	SCREW (.500-20 x 1.380) ALTERNATOR	52	8
60039	PLUG Oil Drain	48	24	6092A1	CRANKSHAFT	52	1
60930	SHUTTER Water	70	6	61001	J CLIP SHIFT CABLE ATTACHING	60	14
6100A2	CONNECTING ROD ASSEMBLY	54	1	62060	HOSE Vent - FLAME ARRESTOR TO ROCKER COVER	22	13
6231A10	STATOR ASSEMBLY ALTERNATOR	52	4	62568	SCREW (#10-16 x .375) LEAD ATTACHING	60	18
62826A6	CABLE ASSEMBLY Ground (13.00 Inches) Black FLYWHEEL HOUSING STUD	60	9	63145A1	LINK ROD ASSEMBLY LINKAGE	28	19
63341	TEE NUT SHIFT CABLE STUD	64	25	63341	TEE NUT SHIFT CABLE STUD	66	13
63341	TEE NUT	68	13	63825	ELBOW OIL FILTER ADAPTER	50	38
6387A3	CYLINDER BLOCK ASSEMBLY	48	1	64066	STUD (.375-16 x 2.750) Special FLYWHEEL HOUSING	60	6
642351	J CLIP ROCKER COVER SCREW	44	5	64769	NUT CONNECTING ROD SCREW	54	3
64804	LINK ROD LINKAGE	28	18	64969	SCREW THROTTLE STOP	28	27
65057A1	SOLENOID ASSEMBLY Starter	4	11	65746	SCREW (.250-20 x .750) ROCKER COVER	44	3
65970	BRACKET IGNITION COIL	12	27	66986	TERMINAL BLOCK	64	16
66986	TERMINAL BLOCK	66	20	66986	TERMINAL BLOCK	68	20
67382	KEY SPROCKET AND ALTERNATOR	52	3	67383	PLUG (2.5) CAMSHAFT BORE (2-1/2" DIA.)	48	2
67384	PLUG (5/8) OIL GALLERY (5/8" DIA.)	48	3	67388	SEAL FRONT	56	3
67450	SCREW (.312-18 x 2.250) COVER TO CYLINDER BLOCK	56	16	67484	BEARING SAMSHAFT	54	9
67489	PIN CYLINDER HEAD	44	19	67492	THRUST PLATE CAMSHAFT	54	10
675023	PUSH ROD VALVE	44	27	67502T	PUSH ROD VALVE	44	27
67502T1	PUSH ROD VALVE	44	27	67502T2	PUSH ROD VALVE	44	27
67503	SCREW (4-3/8 Inch) CYLINDER HEAD (4-3/8" DIA.)	44	17	67504	BALL Rocker Arm	44	21
67506	SCREW ROCKER ARM	44	23	67511	CLAMP DISTRIBUTOR	12	34
67919	NUT OIL PICK-UP TUBE STUD	48	13	68101	SCREW (.375-16 x 1.375)	28	5
68101	SCREW (.375-16 x 1.375)	32	5	68101	SCREW (.375-16 x 1.375) LIFTING EYE -REAR	44	25
68101	SCREW (.375-16 x 1.375) OIL PUMP TO ENGINE	48	12	68219	NUT (#10-32) Stainless Steel SOLENOID TERMINAL	4	16
68219	NUT (#10-32) Stainless Steel SENDING UNIT TERMINAL	4	24	68219	NUT (#10-32) Stainless Steel VOLTAGE REGULATOR TERMINALS	6	30

PARTS INDEX

Part No.	Description	Pg.	Ref.no	Part No.	Description	Pg.	Ref.no
68219	NUT (#10-32) Stainless Steel IGNITION COIL TERMINAL	12	33	68219	NUT (#10-32) Stainless Steel CIRCUIT BREAKER TERMINAL	60	26
68402	PIN (.250 x 1.13) SHIFT LEVER	66	16	68609	DRIVE ASSEMBLY CLUTCH	8	6
68613	WASHER LEATHER - COMMUTATOR END FRAME	8	17	68614	WASHER BEARING PLATE	8	9
68615	WASHER SHIFT LEVER STUD	10	29	68700A1	SPROCKET CRANKSHAFT	52	2
68704A1	BEARING ASSEMBLY CONNECTING ROD	54	4	68704A2	BEARING ASSEMBLY CONNECTING ROD	54	4
68704A3	BEARING ASSEMBLY CONNECTING ROD	54	4	68704A4	BEARING ASSEMBLY CONNECTING ROD	54	4
68712A1	PUMP ASSEMBLY Oil	48	8	68714A6	GASKET FRONT COVER	56	7
68714A6	GASKET IMPELLER COVER	56	8	68714A6	GASKET WATER INLET COVER	56	20
68715	GASKET EXHAUST MANIFOLD TO HEAD	34	9	68715	GASKET EXHAUST MANIFOLD TO HEAD	38	9
68717A1	CHAIN TIMING	54	14	68878A6	HORN ASSEMBLY Buzzer Alarm	74	9
69013	SCREW (#10-16 x .880) HORN ATTACHING	74	10	70084	SCREW (.250-20 x 1.00) SPROCKET TO CAMSHAFT	54	13
70125A1	COVER Choke-CARBURETOR	16	5	70125A1	COVER Choke-CARBURETOR	22	5
70143	GASKET CARBURETOR	16	8	70236	STUD (.312 x 1.500) CARBURETOR	16	9
70792	FLANGE TUBE TO OIL PUMP	48	14	70878	STUD (1/4 x 2.125) FLAME ARRESTOR (.250 x 2.125)	16	2
70905	GASKET INTAKE MANIFOLD	28	4	70905	GASKET INTAKE MANIFOLD	32	4
70981A3	BELLOWS ASSEMBLY EXHAUST ELBOW TO ENGINE	70	1	71614	GASKET FILLER CAP	36	40
71614	GASKET FILLER CAP	40	40	71694	BUSHING BEARING PLATE	8	8
71902A1	COVER IMPELLER	56	15	71903A2	FRONT COVER ASSEMBLY	56	1
71904A1	COVER WATER INLET	56	19	71938A1	PAN ASSEMBLY Oil	48	22
72008	NUT (.250-20) CIRCUIT BREAKER BRACKET SCREW	60	21	72119	SLEEVE	34	4
72119	SLEEVE	38	4	72119	SLEEVE	44	10
72479A5	GASKET OIL PAN	48	25	72479A5	GASKET SIDE COVER	50	32
72531	LIFTING EYE	44	24	72654	RETAINER LUBRICATOR FELT	12	6
72769T	SCREW CYLINDER HEAD (5-1/8")	44	18	72775A16	SHORT BLOCK	50	-
72775A16	SHORT BLOCK	52	-	72821	RETAINER HIGH TENSION LEADS	12	23
72877A1	TUBE ASSEMBLY Oil Pick Up	48	11	73287	SCREW (#10-32 x .380) TERMINAL BLOCK	64	18
73287	SCREW (#10-32 x .380) TERMINAL BLOCK	66	22	73287	SCREW (#10-32 x .380) TERMINAL BLOCK	68	22
73499	LOCK RING DISTRIBUTOR SHAFT	12	17	73501	DRIVESHAFT DISTRIBUTOR SHAFT	12	18
735791	GEAR Drive	12	2	73583	STUD HIGH TENSION LEAD CLAMP	12	24
73642	SPRING DISTRIBUTOR SHAFT	12	16	73657	SCREW (.312-18 x 1.50) THERMOSTAT HOUSING	34	14
73657	SCREW (.312-18 x 1.50) THERMOSTAT HOUSING	38	14	73666	GASKET ROCKER COVER	44	8
7381563	HOSE (34.00 Inches Bulk) VENT	16	12	7381563	HOSE (34.00 Inches Bulk) VENT	22	9
73817	CONNECTOR (90 Degree) INTAKE MANIFOLD	28	7	73817	CONNECTOR (90 Degree) INTAKE MANIFOLD	32	7
73873A1	PULLEY POWER STEERING PUMP	72	3	74313A1	BEARING ASSEMBLY Main	52	18
74313A2	BEARING ASSEMBLY Main	52	18	74313A3	BEARING ASSEMBLY Main	52	18
74313A4	BEARING ASSEMBLY Main	52	18	74314A2	BEARING ASSEMBLY Center Main	52	19
74314A3	BEARING ASSEMBLY Center Main	52	19	74335	SCREW (.500-13 x 4.00) MAIN BEARING SCREW	52	16
74381A1	RING PISTON	54	6	74396	STUD OIL TUBE TO BLOCK	48	7
74824	SCREW (.312-18 x 1.250) CARBURETOR TO WEDGE	22	25	74832	PLUG CYLINDER HEAD	44	11
74840	PIN Dowel FRONT COVER	48	4	75087	BUSHING CHAIN TENSIONER	54	16
75202	TENSIONER CHAIN	54	15	75206	SCREW (.312-18 x 1.750) SIDE COVER	50	33
75206	SCREW (.312-18 x 1.750) TENSIONER	54	17	75336	CAP Filler OIL FILLER	44	2
75412	RETAINER VALVE SPRING	44	14	75413	SEAL VALVE STEM	44	16
75423	RING PISTON	54	6	75444	BOLT CONNECTING ROD	54	2
76170	ELBOW RESERVIOR BY-PASS	34	27	76170	ELBOW RESERVIOR BY-PASS	38	27
76326	HOSE INTAKE MANIFOLD TO WATER PUMP	28	29	76326	HOSE INTAKE MANIFOLD TO WATER PUMP	32	14
76596	SCREW (.250-20 x 1.250) OIL COOLER COVER	32	12	76839T	MOUNT FRONT SUPPORT	58	7
77108	CAP POWER STEERING PUMP	72	2	77223	PAD MOUNTING BRACKET	42	8
77245	HOSE THERMOSTAT HOUSING TO HEAD EXCHANGER	42	18	77363	SCREW (#10-24 x 1.50) STATOR TO FRONT COVER	52	5
774572	HOSE (48.00 Inches Bulk) COOLANT RECOVERY BOTTLE	36	38	774572	HOSE (48.00 Inches Bulk) COOLANT RECOVERY BOTTLE	40	38
77877A2	BRACKET ASSEMBLY Front Mount	58	1	78038	SCREW (.250-20 x 1.75) CIRCUIT BREAKER BRACKET TO FLYWHEEL HOUSING	60	20
78039	COUPLING DIPSTICK TUBE	48	28	78259	SCREW (4 Inches) ELBOW AND RESERVIOR TO MANIFOLD	34	29
78438	STUD EXHAUST MANIFOLD TO HEAD	34	5	78438	STUD EXHAUST MANIFOLD TO HEAD	38	5

PARTS INDEX

Part No.	Description	Pg.	Ref.no	Part No.	Description	Pg.	Ref.no
78483A1	SUPPORT FRONT (6" CENTERS)	58	9	78801T	LEVER INTERMEDIATE THROTTLE	28	10
78814A1	SUPPORT FRONT (22" CENTERS)	58	8	79206	HOUSING ASSEMBLY Drive End	8	1
79207	PIN PLUNGER TO SHIFT LEVER	10	32	79208	GROMMET FIELD COIL - FIELD FRAME	8	15
79209	SCREW BEARING PLATE	8	10	79211	FRAME COMMUTATOR END - LOWER	8	18
79212	COIL ASSEMBLY	8	16	79396	PLATE BEARING	8	7
813720A6	SPARK PLUG WIRE KIT	12	20	813995A1	GUIDE ASSEMBLY Spring	68	24
814001	PIN Clevis - SHIFT LEVER	68	16	814002	STUD SHIFT CABLE	68	2
814003	SPACER SHIFT CABLE STUD	68	9	816219A1	MANIFOLD ASSEMBLY Exhaust	34	1
8312A2	PISTON	54	5	8312A3	PISTON USE STANDARD RINGS	54	5
8312A6	PISTON	54	5	8327	GASKET FUEL FILTER NUT	26	14
85106	WASHER IMPELLER SCREW-W	56	10	8535	REPAIR KIT Carburetor	26	12
85374A3	DISTRIBUTOR ASSEMBLY COMPLETE	12	1	8548	NEEDLE/SEAT KIT	26	11
85486	SCREW (.250-20 x .380) Stainless Steel GROUND WIRE TO TRANSOM PLATE	60	27	8557	SCREW KIT KIT, AIR HORN.THROTTLE BODY	26	15
85784A1	FLAME ARRESTOR	16	14	86045	TIMER TEMPERATURE BUZZER	74	8
86047A11	HOUSING KIT	74	7	86080	SWITCH Temperature WATER	74	1
86400	WASHER FLAME ARRESTOR	16	15	86400	WASHER FLAME ARRESTOR	22	11
86461T	SPROCKET CAMSHAFT	54	12	86462A1	IMPELLER WATER PUMP	56	9
86466	KEY CAMSHAFT	54	8	8767	FILTER KIT Fuel	26	8
88743	SCREW (.312-18 x .500) SPRING TO LEVER	64	6	8954	FLOAT BOWL KIT	26	2
8955	LINK/LEVER KIT Choke	26	4	8956	PRIMARY VACUUM KIT	26	5
8957	PISTON KIT	26	6	8959	FLOAT KIT	26	9
89653	HOSE CYLINDER HEAD TO EXHAUST MANIFOLD	44	28	89655	HOSE INTAKE MANIFOLD	30	32
89655	HOSE INTAKE MANIFOLD	32	17	89656	GASKET THERMOSTAT HOUSING TO EXHAUST MANIFOLD	34	13
89656	GASKET THERMOSTAT HOUSING TO EXHAUST MANIFOLD	38	13	89659A3	HOUSING ASSEMBLY Thermostat	34	11
89659A3	HOUSING ASSEMBLY Thermostat	38	11	89679	SCREW (.375-16 x 6) EXHAUST MANIFOLD TO HEAD (6")	34	6
89679	SCREW (.375-16 x 6) EXHAUST MANIFOLD TO HEAD (6")	38	6	89713	HOSE INTAKE MANIFOLD TO RESERVIOR	28	8
89713	HOSE INTAKE MANIFOLD TO RESERVIOR	32	8	89879	O-RING (.301 x .064) PRESSURE HOSE	72	12
89953A2	MANIFOLD ASSEMBLY Intake	28	1	9030	PIN FLOAT	18	17
9031	FLOAT	18	16	9032	SPRING FUEL STRAINER	18	5
9033	STRAINER	18	4	9034	CONNECTOR INLET	18	6
9035	LEVER ACCELERATOR PUMP	18	9	9036	ARM ACCELERATOR PUMP	18	13
9037	ARM Choke	18	3	9038	PLATE Baffle	18	15
9039	WASHER PUMP LEVER	18	10	9040	WASHER PUMP LEVER	18	11
9041	ROD Pump	18	8	9042	ROD Choke	18	7
9044	PACKING SET	18	32	9045	SCREW KIT	18	31
9046	PUMP KIT	18	12	9048	CAM FAST IDLE	18	22
9049	SHAFT FAST IDLE CAM	18	23	90494	HOSE PRESSURE (FITTINGS ON BOTH ENDS)	72	11
90495A7	PUMP ASSEMBLY POWER STEERING	72	1	90510A1	BRACKET PUMP MOUNTING	72	6
90511	STUD POWER STEERING PUMP	72	4	9052	SCREW IDLE ADJUSTING	18	26
9053	SPRING IDLE ADJUSTING SCREW	18	27	9054	SPRING THROTTLE ADJUSTING SCREW	18	29
9057	VENTURI	18	20	9058	JET Main	18	18
9059	JET POWER	18	19	9060	SCREW THROTTLE ADJUSTING	18	28
9061	GASKET SET	18	30	90806	SENDER OIL PRESSURE	4	22
90880A2	ELBOW ASSEMBLY Exhaust	38	17	90925	SEAL CRANKSHAFT - REAR	48	17
90949T	TUBE Exhaust	70	7	9142A2	CARBURETOR ASSEMBLY	22	1
9142A2	CARBURETOR ASSEMBLY	26	-	91842	STUD FLAME ARRESTOR	22	2
91892	GASKET OIL FILTER ADAPTER	50	39	91976	BAFFLE OIL	46	33
91987A1	BOTTLE COOLANT RECOVERY	34	31	91987A1	BOTTLE COOLANT RECOVERY	38	31
91989A1	CAP ASSEMBLY	34	32	91989A1	CAP ASSEMBLY	38	32
9235728	HOSE OIL (13-1/2")	50	40	92966	ARM ROCKER VALVE	44	22
93009A5	ALTERNATOR ASSEMBLY Flywheel FLYWHEEL	52	7	9331512	HOSE FLAME ARRESTOR TO ROCKER COVER	16	17
93534	BUSHING OIL FILTER ADAPTER	50	36	9363	AIR HORN KIT	26	1
9364	THROTTLE BODY KIT	26	3	9365	METERING JET AND ROD KIT	26	7
94023A1	ADAPTER ASSEMBLY OIL FILTER	50	35	9407	SEAT KIT Inlet	18	14
9410A1	CAMSHAFT	54	7	9422	NOZZLE DEFLECTOR	26	16
94227A2	RESISTOR WIRE KIT (TO REPLACE RESISTOR WIRE)	6	31	9441A3	PISTON ASSEMBLY	54	5

PARTS INDEX

Part No.	Description	Pg.	Ref.no	Part No.	Description	Pg.	Ref.no
9441A4	PISTON ASSEMBLY USE STANDARD RINGS	54	5	9441A5	PISTON ASSEMBLY	54	5
9451A2	CYLINDER HEAD ASSEMBLY	44	9	9459	CAP Distributor	12	15
94976	GASKET FLYWHEEL HOUSING COVER	60	11	94985A2	HOUSING ASSEMBLY Flywheel	60	1
95026A2	COVER FLYWHEEL HOUSING	60	10	9528	SHAFT/LEVER ASSEMBLY Throttle	18	25
9529	FLANGE ASSEMBLY	18	24	9564A1	CARBURETOR ASSEMBLY (MERCARB)	16	1
9564A1	CARBURETOR ASSEMBLY	18	-	95850	HOSE COOLER TO EXHAUST ELBOW	42	24
96108	STUD SHIFT BRACKET	64	3	96112	STUD (.250-28 x 2.00) THROTTLE CABLE	22	34
96112	STUD (.250-28 x 2.00) Throttle Cable Anchor-SHIFT CABLE	64	23	96112	STUD (.250-28 x 2.00) Throttle Cable Anchor-SHIFT CABLE	66	12
96112	STUD (.250-28 x 2.00)	68	12	96113	SCREW (#10-32 x .880) Stainless Steel TERMINAL BLOCK	64	17
96113	SCREW (#10-32 x .880) Stainless Steel TERMINAL BLOCK	66	21	96113	SCREW (#10-32 x .880) Stainless Steel TERMINAL BLOCK	68	21
9655	PUMP KIT Accelerator	18	12	9658	E-RING	18	33
9669	PUMP KIT	26	10	97006T	ELBOW OIL PAN	48	26
9723	GASKET KIT	26	13	97259A1	BRACKET STARTER MOTOR TO CYLINDER BLOCK	4	8
97346A2	TUBE ASSEMBLY DIPSTICK	48	27	97381A1	GAUGE OIL LEVEL	48	30
97389	SPARK PLUG	12	21	9741A2	FLYWHEEL	52	10
97432A2	COUPLING ASSEMBLY ENGINE	52	13	97433A1	RING GEAR ASSEMBLY	52	-
97499A2	STARTER MOTOR ASSEMBLY	4	1	97499A2	STARTER MOTOR ASSEMBLY	8	-
97530	SEAL WATER PUMP	56	2	97542	GASKET ELBOW AND RESERVIOR TO MANIFOLD	38	28
97864A2	BRACKET ASSEMBLY BOTTLE	34	33	97864A2	BRACKET ASSEMBLY BOTTLE	38	33
98255	SCREW (.250-20 x 2.25) VOLTAGE REGULATOR (2-1/4")	4	26	98261	SCREW (.375-16 x .750) BRACKET TO CYLINDER BLOCK	4	9
98261	SCREW (.375-16 x .750) BOTTLE TO BRACKET	36	36	98261	SCREW (.375-16 x .750) BOTTLE TO BRACKET	40	36
98261	SCREW (.375-16 x .750) HOSE CLAMP	48	19	98269A9	HARNESS ASSEMBLY	4	19
98348A4	MANIFOLD ASSEMBLY Intake	32	1	98350A1	COVER OIL COOLER	32	10
98421A1	SEAL REAR BEARING CAP	52	17	98509	SCREW THROTTLE CABLE	22	28
98562A6	ELBOW ASSEMBLY Exhaust	34	17	98618A1	BRACKET ASSEMBLY HEAT EXCHANGER	42	6
98619A1	U BOLT HEAT EXCHANGER	42	13	98620	STRAP BRACKET TO HEAT EXCHANGER	42	12
98798	STUD SHIFT CABLE	64	2	98798	STUD SHIFT CABLE	66	2
98820	SPACER SHIFT CABLE STUD	64	26	98820	SPACER SHIFT CALBE STUD	66	9
98828	SPACER RUBBER PAD	64	8	9884339	HOSE ASSEMBLY (72.00 Inches Bulk) RETURN (FITTINGS ON ONE END)	72	13
98851	STUD SHIFT CABLE	64	21	98880	SPRING SHIFT CABLE STUD	64	27
98880	SPRING SHIFT CABLE STUD	66	7	98880	SPRING SHIFT CABLE STUD	68	7
99155A1	THERMOSTAT	34	12	99155A1	THERMOSTAT	38	12
99237A10	BRACKET ASSEMBLY (EARLY MODELS)	64	1	99237A10	BRACKET ASSEMBLY	66	1
99237A10	BRACKET ASSEMBLY	68	1	99292A1	SPRING ASSEMBLY Valve	44	13
99322	SPACER RUBBER MOUNT	60	2	99334	CLAMP BASE	48	18
99356A1	COOLER ASSEMBLY Oil	42	26	99405	NUT STARTER MOTOR SCREW	4	4
99438A1	HEAT EXCHANGER	42	1	99498	FITTING (THREADED)	34	23
99498	FITTING (THREADED)	38	23	99502A9	REGULATOR ASSEMBLY Voltage	4	25
99520	HOSE HEAT EXCHANGER TO REGULATOR	42	15	99729	HOSE EXHAUST MANIFOLD TO HEAT EXCHANGER	42	20
99889	VALVE BY-PASS	48	5	99908A3	MANIFOLD ASSEMBLY Exhaust	38	1
99960	GASKET END CAP	42	3	99961	PLATE END CAP	42	4
99962	SCREW END CAP - HEAD EXCHANGER	42	5	N.S.S.	Not Sold Separate ARMATURE (DELCO REMY #1852860)	8	11
N.S.S.	Not Sold Separate SHOE, POLE - FIELD COIL (DELCO REMY #1931129)	8	12	N.S.S.	Not Sold Separate SCREW, POLE SHOE TO FIELD COIL (DELCO REMY #1968396)	8	13
N.S.S.	Not Sold Separate INSULATION, FIELD COIL (DELCO REMY #196832)	8	14	N.S.S.	Not Sold Separate THRU BOLT (DELCO REMY #1941111)	8	19
N.S.S.	Not Sold Separate SCREW, BRUSH LEAD (DELCO REMY #1967747)	8	23	N.S.S.	Not Sold Separate SCREW, BRUSH LEAD (DELCO REMY #443527)	8	23
N.S.S.	Not Sold Separate DOWEL PIN - FIELD FRAME (DELCO REMY #809593)	8	26	N.S.S.	Not Sold Separate STUD, SHIFT LEVER (DELCO REMY #1814529)	8	28
N.S.S.	Not Sold Separate PLUNGER, SHIFT LEVER (DELCO REMY #1978297)	10	31	N.S.S.	Not Sold Separate SPRING, PLUNGER RETURN (DELCO REMY #1978281)	10	33
N.S.S.	Not Sold Separate SCREW, SOLENOID SWITCH (DELCO REMY #9413260)	10	34	N.S.S.	Not Sold Separate AIR HORN ASSEMBLY	18	1
N.S.S.	Not Sold Separate CHOKE HOUSING ASSEMBLY	18	2	N.S.S.	Not Sold Separate BODY, CARBURETOR	18	21