



# TABLE OF CONTENTS

Mercury Marine [Updated: Sep. 9, 2020]

Sterndrive

Engines - Gas

4.3L (262 CU IN) V6 GM

4.3L (2 BBL.) GM 262 V-6

Cat.# 90-17468

|  |    |
|--|----|
| MISCELLANEOUS PARTS/ACCESSORIES .....                    | 1  |
| STARTER MOTOR AND ALTERNATOR .....                       | 3  |
| STARTER MOTOR .....                                      | 7  |
| STARTER MOTOR DELCO REMY #9000762 .....                  | 11 |
| ALTERNATOR (MOTOROLA #8MR2039K) .....                    | 13 |
| ALTERNATOR (MOTOROLA #8EM2003KA) .....                   | 17 |
| Alternator (Mando) .....                                 | 19 |
| WIRING HARNESS AND ELECTRICAL COMPONENTS .....           | 21 |
| DISTRIBUTOR AND IGNITION COMPONENTS .....                | 25 |
| FUEL PUMP AND FUEL FILTER .....                          | 29 |
| CARBURETOR AND THROTTLE LINKAGE (175 - 4.3L) .....       | 31 |
| CARBURETOR (MERCARB)(175 - 4.3L) .....                   | 35 |
| CARBURETOR AND THROTTLE LINKAGE (205 - 4.3L/LX) .....    | 39 |
| CARBURETOR (ROCHESTER)(205 - 4.3L/LX) .....              | 43 |
| EXHAUST MANIFOLD AND EXHAUST ELBOW .....                 | 45 |
| STANDARD COOLING SYSTEM OLD DESIGN .....                 | 47 |
| STANDARD COOLING SYSTEM NEW DESIGN .....                 | 51 |
| CYLINDER HEAD AND ROCKER COVER .....                     | 55 |
| CYLINDER BLOCK AND CAMSHAFT .....                        | 57 |
| CRANKSHAFT AND PISTONS .....                             | 59 |
| INTAKE MANIFOLD AND FRONT COVER OLD DESIGN .....         | 61 |
| INTAKE MANIFOLD AND FRONT COVER NEW DESIGN .....         | 65 |
| OIL PAN AND OIL PUMP .....                               | 69 |
| SHIFT BRACKET OLD DESIGN .....                           | 71 |
| SHIFT BRACKET NEW DESIGN - WITH SPRING GUIDE .....       | 73 |
| FLYWHEEL HOUSING .....                                   | 75 |
| EXHAUST SYSTEM USE WITH 4 INCH EXHAUST ELBOW .....       | 77 |
| POWER STEERING COMPONENTS STAMPED MOUNTING BRACKET ..... | 79 |
| POWER STEERING COMPONENTS CAST MOUNTING BRACKET .....    | 81 |
| ENGINE MOUNTING OLD DESIGN .....                         | 83 |
| ENGINE MOUNTING NEW DESIGN - FLUID MOUNT .....           | 85 |
| AUDIO WARNING SYSTEM .....                               | 87 |

MISCELLANEOUS PARTS/ACCESSORIES

**Cat.# 90-17468**

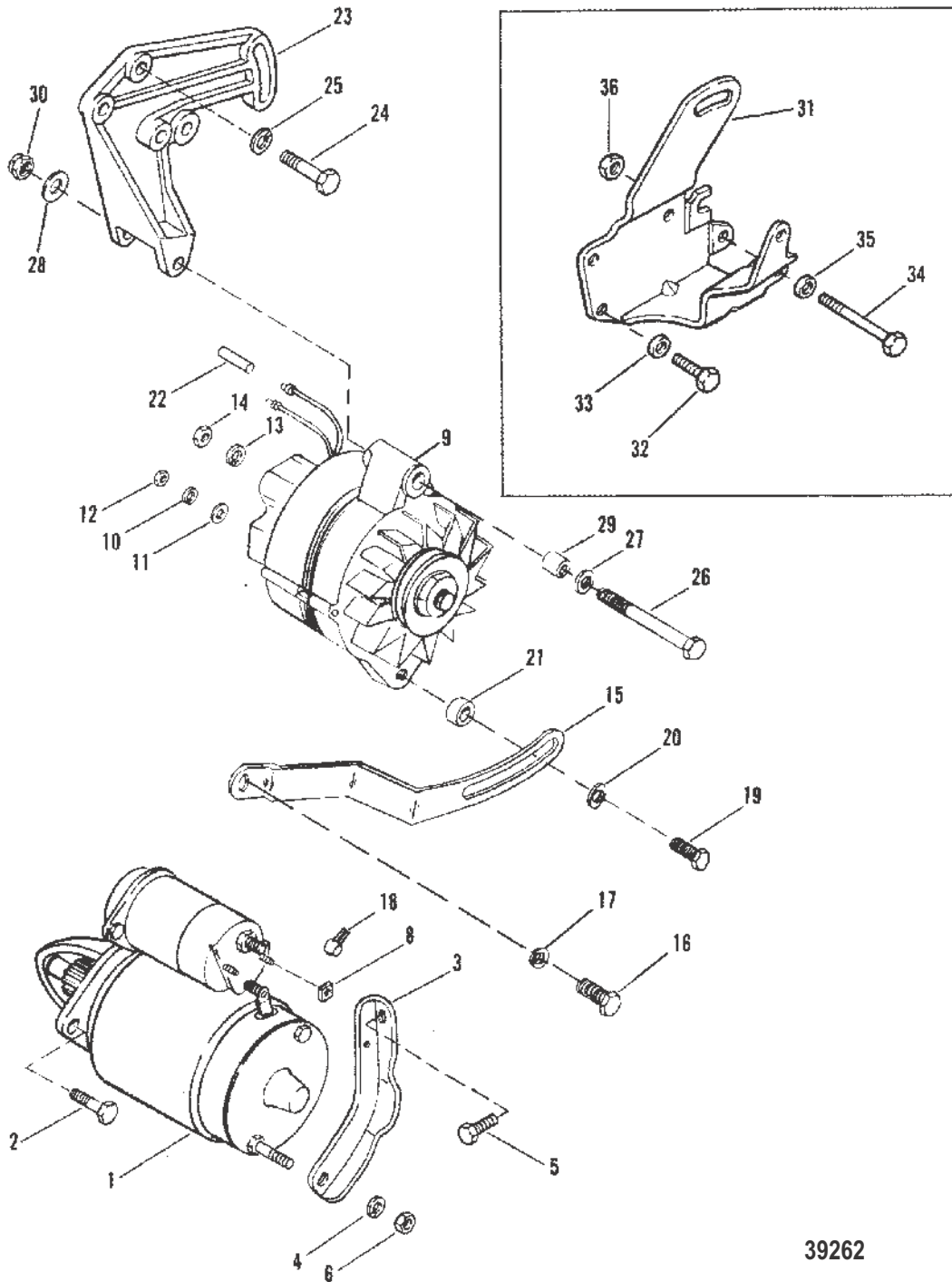
## MISCELLANEOUS PARTS/ACCESSORIES

| Ref # | Part Class | Part Number | Description                              | Comments | Qty | Note |
|-------|------------|-------------|--|----------|-----|------|
| -     | 0090       | 17468       | PARTS MANUAL 175 HP/ 4.3L/205 HP/4.3L/LX |          | 1   |      |
| -     | 0090       | 12546901    | OWNERS GUIDE                             |          | 1   |      |

---

MISCELLANEOUS PARTS/ACCESSORIES

# STARTER MOTOR AND ALTERNATOR



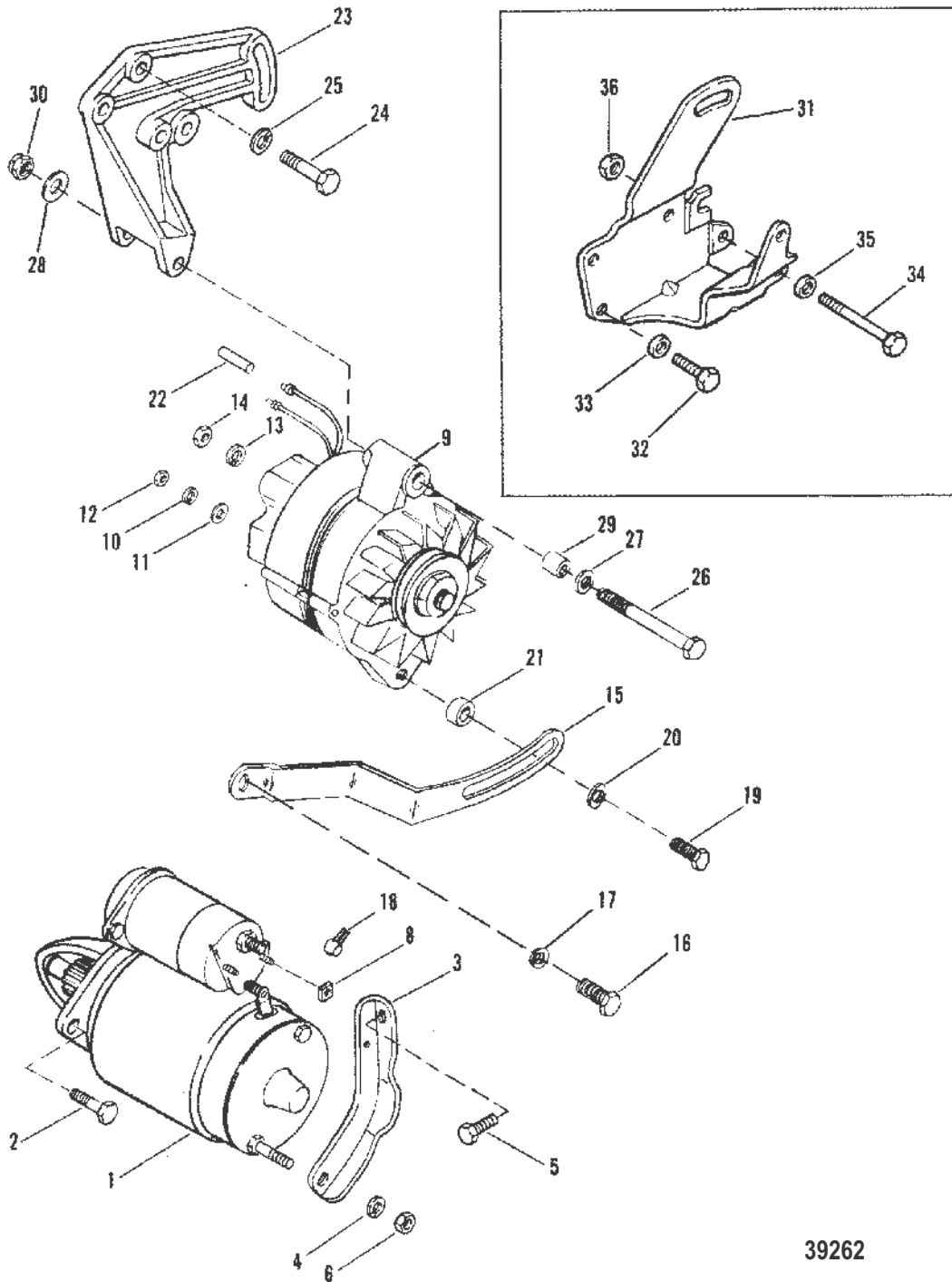
39262

## STARTER MOTOR AND ALTERNATOR

| Ref # | Part Class | Part Number | Description  | Comments                  | Qty | Note |
|-------|------------|-------------|--|---------------------------|-----|------|
| 1     | 0050       | 12177A2     | STARTER MOTOR ASSEMBLY                                 | USE WITH STARTER BRACE    | 1   |      |
| 1     | 0050       | 812428A3    | STARTER MOTOR ASSEMBLY                                 | USE WITHOUT STARTER BRACE | 1   |      |
| 2     | 0010       | 94435       | BOLT (.375-16 x 4.600)                                 | USE WITH STARTER BRACE    | 2   |      |
| 2     | 0010       | 813642      | SCREW  | USE WITHOUT STARTER BRACE | 2   |      |
| 3     | 0000       | 12404       | BRACE  | USE WITH STARTER BRACE    | 1   |      |
| 4     | 0012       | 29245       | WASHER (.281 x .500 x .060)<br>Stainless Steel         | USE WITH STARTER BRACE    | 2   |      |
| 5     | 0010       | 35765A1     | SCREW AND LOCKWASHER (.312-18 x .625)                  | USE WITH STARTER BRACE    | 1   |      |
| 6     | 0011       | 15874       | NUT (M10) BATTERY TERMINAL                             |                           | 1   |      |
| 6     | 0011       | 72008       | NUT (.250-20) BATTERY TERMINAL                         |                           | 1   |      |
| 8     | 0011       | 26419       | NUT (#8-32) Brass SOLENOID SWITCH TERMINAL             |                           | 2   |      |
| 8     | 0011       | 400211      | NUT (M5) Stainless Steel SOLENOID SWITCH TERMINAL      |                           | 2   |      |
| 9     | 0000       | 92497A3     | ALTERNATOR ASSEMBLY (55 Ampere) (55 AMP)               |                           | 1   | [1]  |
| 10    | 0013       | 26996       | LOCKWASHER (#10) Stainless Steel ALTERNATOR TERMINAL   |                           | 1   |      |
| 11    | 0012       | 96457       | WASHER Phenolic (.27 x .81 x .062) ALTERNATOR TERMINAL |                           | 1   |      |
| 12    | 0011       | 79989       | NUT (#10-24) Stainless Steel ALTERNATOR TERMINAL       |                           | 1   |      |
| 13    | 0013       | 21272       | LOCKWASHER (.250) ALTERNATOR TERMINAL                  |                           | 1   |      |
| 14    | 0011       | 64015       | NUT (.250-20) ALTERNATOR TERMINAL                      |                           | 1   |      |
| 15    | 0000       | 85013       | BRACE ALTERNATOR ADJUSTING                             |                           | 1   |      |
| 16    | 0010       | 98261       | SCREW (.375-16 x .750) ALTERNATOR BRACE                |                           | 1   |      |
| 17    | 0013       | 35048       | LOCKWASHER (.375) ALTERNATOR BRACE SCREW               |                           | 1   |      |
| 18    | 0085       | 79695       | BOOT Insulator - Black STARTER TERMINAL                |                           | 1   |      |
| 19    | 0010       | 29198       | SCREW AND LOCKWASHER (.312-18 x .875) ALTERNATOR BRACE |                           | 1   |      |
| 20    | 0012       | 26168       | WASHER ALTERNATOR BRACE SCREW                          |                           | 1   |      |
| 21    | 0023       | 52095       | SPACER ALTERNATOR BRACE SCREW                          | (EARLY MODELS)            | 1   |      |
| 22    | 0000       | 5790811     | SLEEVE (10.00 Inches Bulk) ALTERNATOR LEADS            |                           | 2   |      |
| 23    | 0000       | 87115A1     | BRACKET ALTERNATOR/PUMP                                | CAST MOUNTING BRACKET     | 1   |      |
| 24    | 0010       | 37612       | SCREW (.375-16 x 1.250) ALTERNATOR BRACKET             | CAST MOUNTING BRACKET     | 2   |      |

## STARTER MOTOR AND ALTERNATOR

# STARTER MOTOR AND ALTERNATOR



39262

## STARTER MOTOR AND ALTERNATOR

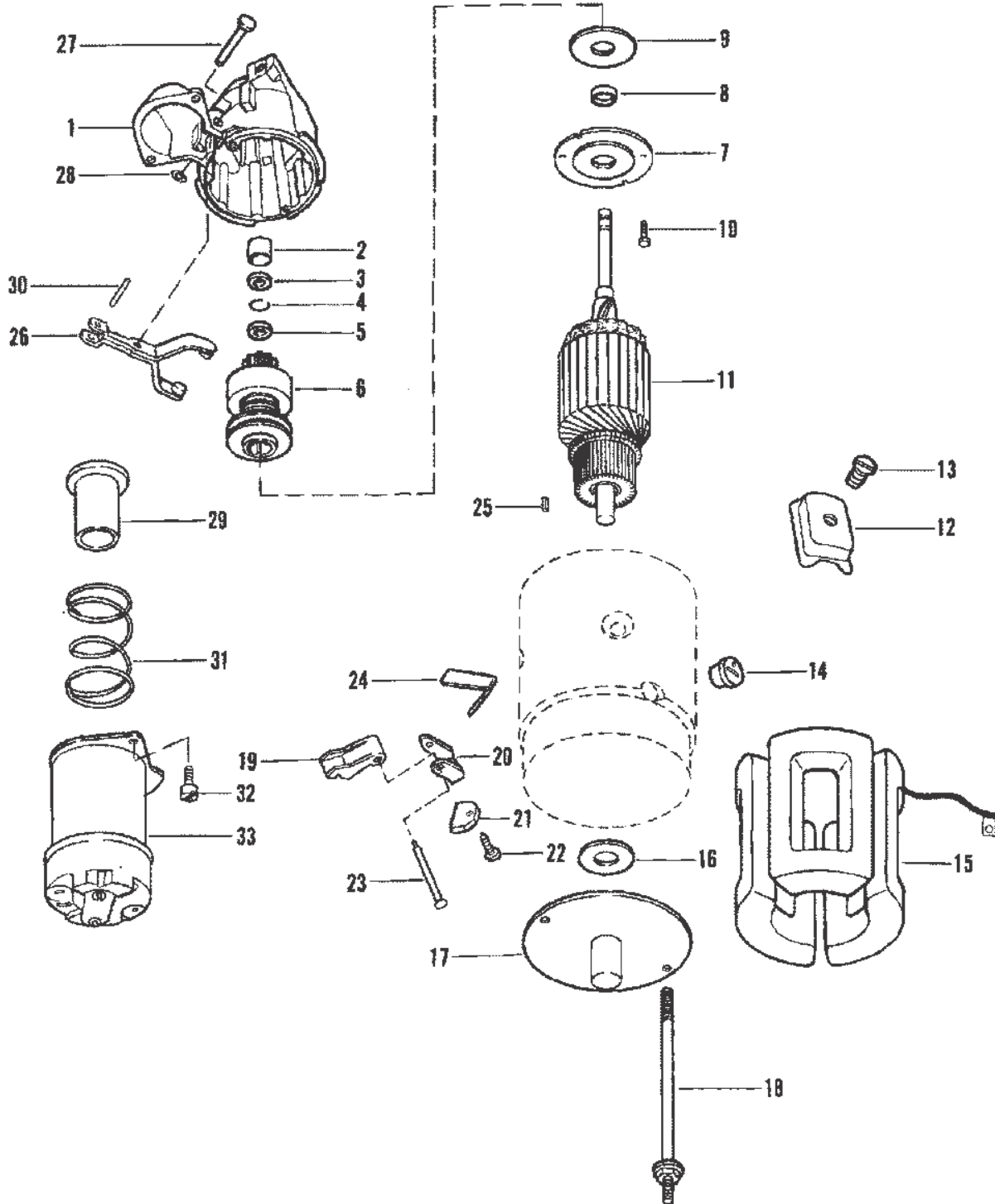
| Ref # | Part Class | Part Number | Description  | Comments                    | Qty | Note |
|-------|------------|-------------|--|-----------------------------|-----|------|
| 24    | 0010       | 34354       | SCREW (.375-16 x 1.50)<br>ALTERNATOR BRACKET       | CAST MOUNTING<br>BRACKET    | 1   |      |
| 25    | 0013       | 35048       | LOCKWASHER (.375)<br>ALTERNATOR BRACKET SCREW      | CAST MOUNTING<br>BRACKET    | 3   |      |
| 26    | 0010       | 48308       | SCREW (.375-24 x 3.750)<br>ALTERNATOR              | CAST MOUNTING<br>BRACKET    | 1   |      |
| 27    | 0012       | 20553       | WASHER (.406 x .734 x .063)<br>ALTERNATOR SCREW    | CAST MOUNTING<br>BRACKET    | 1   |      |
| 28    | 0012       | 34714       | WASHER ALTERNATOR SCREW<br>(13/16 O.D.)            | CAST MOUNTING<br>BRACKET    | 1   |      |
| 29    | 0023       | 33186       | BUSHING ALTERNATOR SCREW                           | CAST MOUNTING<br>BRACKET    | 1   |      |
| 30    | 0011       | 23161       | NUT (.375-24) ALTERNATOR<br>SCREW                  | CAST MOUNTING<br>BRACKET    | 1   |      |
| 31    | 0000       | 15083T      | BRACKET ALTERNATOR/PUMP                            | STAMPED MOUNTING<br>BRACKET | 1   |      |
| 32    | 0010       | 37612       | SCREW (.375-16 x 1.250)<br>ALTERNATOR/PUMP BRACKET | STAMPED MOUNTING<br>BRACKET | 2   |      |
| 33    | 0013       | 35048       | LOCKWASHER (.375) BRACKET<br>SCREW                 | STAMPED MOUNTING<br>BRACKET | 2   |      |
| 32    | 0010       | 34353       | SCREW (.375-16 x 1.00)<br>ALTERNATOR/PUMP BRACKET  | STAMPED MOUNTING<br>BRACKET | 1   |      |
| 33    | 0012       | 46132       | WASHER BRACKET SCREW                               | STAMPED MOUNTING<br>BRACKET | 1   |      |
| 34    | 0010       | 56743       | SCREW (.375-24 x 3.125)<br>ALTERNATOR              | STAMPED MOUNTING<br>BRACKET | 1   |      |
| 35    | 0012       | 34714       | WASHER ALTERNATIVE SCREW                           | STAMPED MOUNTING<br>BRACKET | 1   |      |
| 36    | 0011       | 23161       | NUT (.375-24) ALTERNATOR<br>SCREW                  | STAMPED MOUNTING<br>BRACKET | 1   |      |

**PART NOTES:**

- [1] - Alternate part numbers:  
817119R01Reman  
92497A 3QS



# STARTER MOTOR



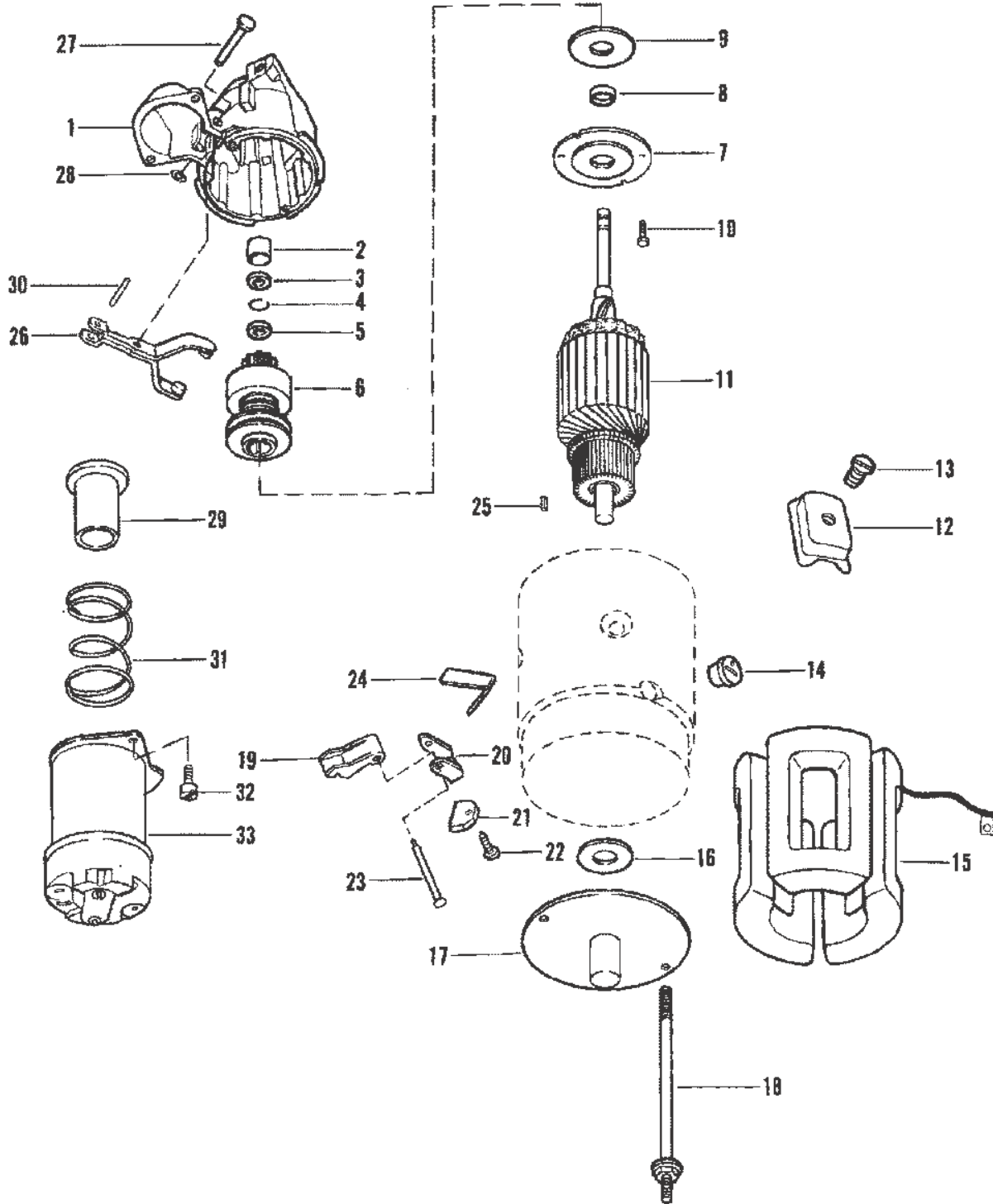
38496

## STARTER MOTOR

| Ref # | Part Class | Part Number | Description  | Comments | Qty | Note |
|-------|------------|-------------|--|----------|-----|------|
| -     | 0050       | 12177A2     | STARTER MOTOR ASSEMBLY   |          | 1   |      |
| 1     | 0000       | 75666       | HOUSING DRIVE END  |          | 1   | [1]  |
| 1     | 0000       | 13754       | HOUSING DRIVE END  |          | 1   | [2]  |
| 2     | 0023       | 33369       | BUSHING DRIVE END<br>HOUSING   |          | 1   |      |
| 3     | 0000       | 33292       | COLLAR THRUST  |          | 1   |      |
| 4     | 0053       | 33290       | RING Retaining PINION STOP<br>COLLAR   |          | 1   |      |
| 5     | 0000       | 33291       | COLLAR PINION STOP   |          | 1   |      |
| 6     | 0000       | 79205       | DRIVE ASSEMBLY CLUTCH  |          | 1   |      |
| 7     | 0000       | 79396       | PLATE BEARING  |          | 1   |      |
| 8     | 0023       | 71694       | BUSHING BEARING PLATE  |          | 1   |      |
| 9     | 0012       | 68614       | WASHER BEARING PLATE   |          | 1   |      |
| 10    |            | N.S.S.      | Not Sold Separate SCREW,<br>BEARING PLATE (DELCO REMY<br>#1972786)           |          | 2   | [3]  |
| 10    |            | N.S.S.      | Not Sold Separate SCREW,<br>BEARING PLATE (DELCO REMY<br>#1984000)           |          | 2   | [4]  |
| 11    | 0000       | 71693       | ARMATURE   |          | 1   | [3]  |
| 11    | 0000       | 75665       | ARMATURE   |          | 1   | [4]  |
| 12    |            | N.S.S.      | Not Sold Separate SHOE, POLE -<br>FIELD COIL (DELCO REMY<br>#1931129)        |          | 4   | [3]  |
| 12    |            | N.S.S.      | Not Sold Separate SHOE, POLE -<br>FIELD COIL (DELCO REMY<br>#810601)         |          | 4   | [4]  |
| 13    |            | N.S.S.      | Not Sold Separate SCREW, POLE<br>SHOE TO FIELD COIL (DELCO<br>REMY #1968396) |          | 4   |      |
| 14    | 0025       | 79208       | GROMMET FIELD COIL - FIELD<br>FRAME  |          | 1   |      |
| 15    | 0000       | 79212       | COIL ASSEMBLY  |          | 1   | [5]  |
| 15    | 0000       | 75664       | COIL ASSEMBLY  |          | 1   | [4]  |
| 16    | 0012       | 33258       | WASHER Leather COMMUTATOR<br>END FRAME                                       |          | 1   |      |
| 17    | 0000       | 79211       | FRAME COMMUTATOR END -<br>LOWER  |          | 1   |      |
| 18    |            | N.S.S.      | Not Sold Separate BOLT, THRU<br>(DELCO REMY #1941111)                        |          | 1   |      |
| 18    |            | N.S.S.      | Not Sold Separate BOLT, THRU<br>(DELCO REMY #1939970)                        |          | 1   |      |
| 19    |            | N.S.S.      | Not Sold Separate HOLDER,<br>INSULATED (DELCO REMY<br>#800091)               |          | 2   |      |
| 20    | 0000       | 33283       | HOLDER FIELD FRAME BRUSH<br>GROUND   |          | 2   |      |
| 21    | 0000       | 33270       | BRUSH FIELD FRAME  |          | 4   |      |
| 22    |            | N.S.S.      | Not Sold Separate SCREW,<br>BRUSH LEAD (DELCO REMY<br>#1967747)              |          | 2   |      |

STARTER MOTOR

# STARTER MOTOR



38496

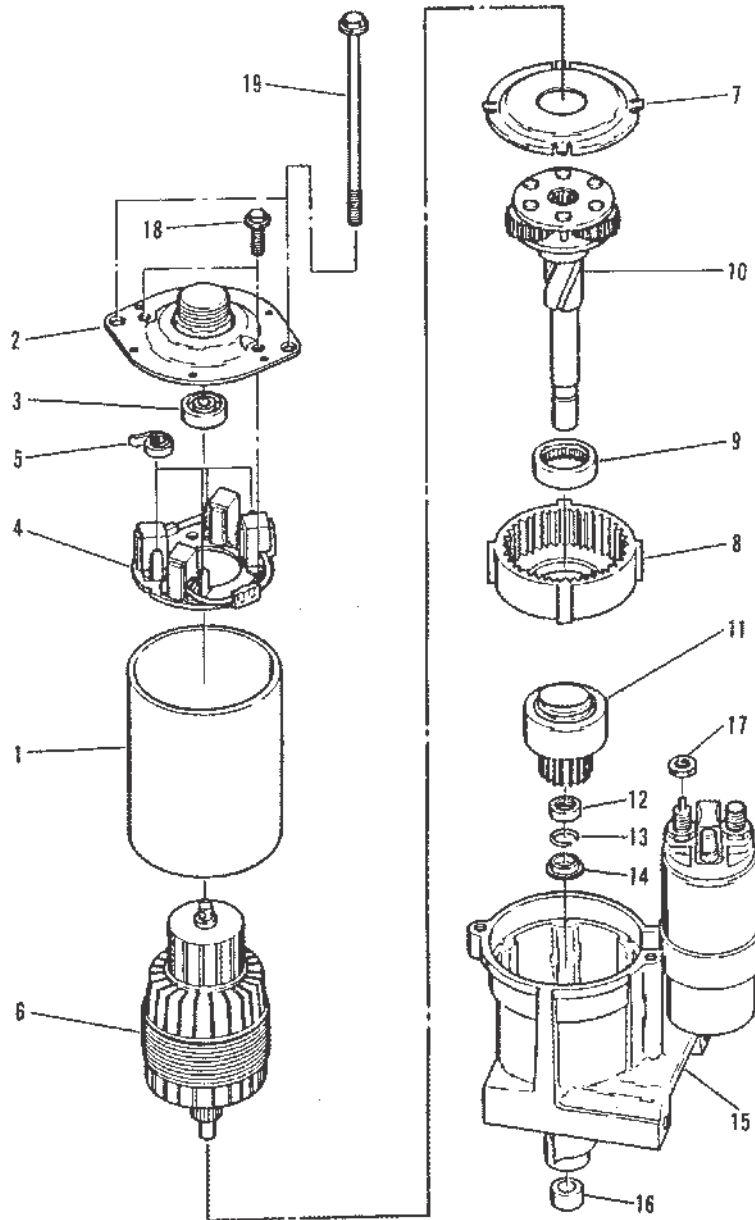
## STARTER MOTOR

| Ref # | Part Class | Part Number | Description   | Comments | Qty | Note |
|-------|------------|-------------|---|----------|-----|------|
| 22    |            | N.S.S.      | Not Sold Separate SCREW, BRUSH LEAD (DELCO REMY #443527)            |          | 2   |      |
| 23    | 0000       | 33294       | SUPPORT GROUND AND INSULATED HOLDERS                                |          | 2   |      |
| 24    | 0024       | 33285       | SPRING FIELD FRAME BRUSH  |          | 4   |      |
| 25    |            | N.S.S.      | Not Sold Separate PIN, DOWEL - FIELD FRAME (DELCO REMY #1985696)    |          | 1   |      |
| 26    | 0000       | 71698       | LEVER SHIFT   |          | 1   |      |
| 27    |            | N.S.S.      | Not Sold Separate STUD, SHIFT LEVER (DELCO REMY #1945804)           |          | 1   |      |
| 28    |            | N.S.S.      | Not Sold Separate RETAINING RING (DELCO REMY #11505767)             |          | 1   |      |
| 29    | 0000       | 33317       | PLUNGER SHIFT LEVER   |          | 1   |      |
| 30    |            | N.S.S.      | Not Sold Separate PIN, PLUNGER TO SHIFT LEVER (DELCO REMY #1987049) |          | 1   |      |
| 31    |            | N.S.S.      | Not Sold Separate SPRING, PLUNGER RETURN (DELCO REMY #1978281)      |          | 1   |      |
| 32    |            | N.S.S.      | Not Sold Separate SCREW, SOLENOID SWITCH (DELCO REMY #9413260)      |          | 2   |      |
| 33    | 0000       | 13037       | SOLENOID SWITCH (4-1/4" LONG)                                       |          | 1   |      |
| 33    | 0089       | 18080       | SOLENOID SWITCH (3.625)   |          | 1   |      |

## PART NOTES:

- [1] - DELCO REMY STARTER #1998513
- [2] - DELCO REMY STARTER #1998568  
DELCO REMY STARTER #1998566 OR #1998570
- [3] - DELCO REMY STARTER #1998568
- [4] - DELCO REMY STARTER #1998566 OR #1998570
- [5] - DELCO REMY STARTER #1998513  
DELCO REMY STARTER #1998568

# STARTER MOTOR DELCO REMY #9000762

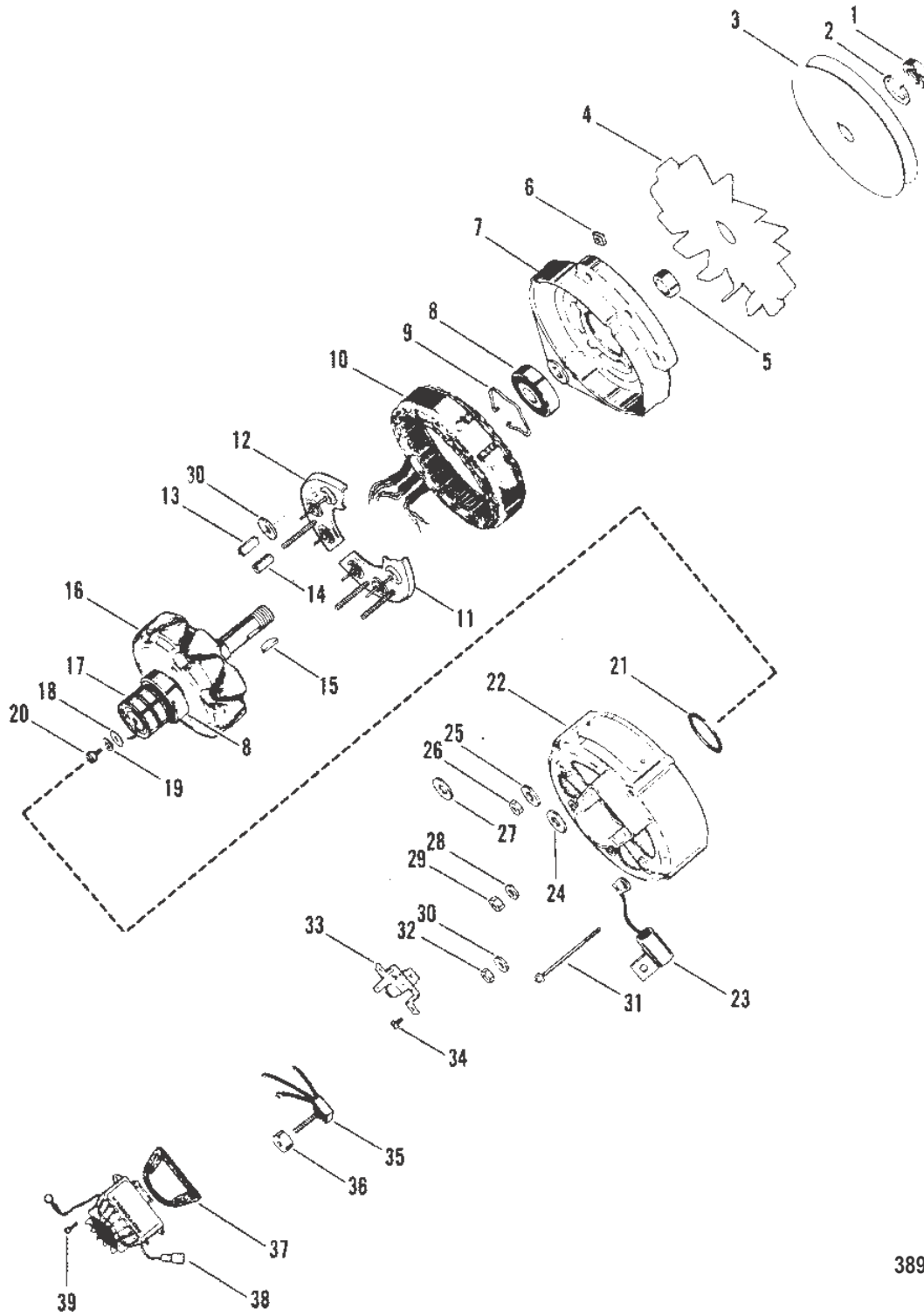


39263

## STARTER MOTOR DELCO REMY #9000762

| Ref # | Part Class | Part Number | Description   | Comments | Qty | Note |
|-------|------------|-------------|---|----------|-----|------|
| 1     | 0050       | 812428A3    | STARTER MOTOR ASSEMBLY  |          | 1   |      |
| 2     | 0000       | 814464      | FRAME   |          | 1   |      |
| 3     | 0030       | 814465      | BEARING Ball  |          | 1   |      |
| 4     | 0000       | 814466      | HOLDER Brush  |          | 1   |      |
| 5     | 0024       | 814467      | SPRING  |          | 4   |      |
| 6     | 0000       | 814469      | ARMATURE  |          | 1   |      |
| 7     | 0000       | 814470      | SHIELD  |          | 1   |      |
| 8     | 0000       | 814471      | GEAR AND BEARING  |          | 1   |      |
| 9     | 0000       | 814479      | BEARING Roller  |          | 1   |      |
| 10    | 0000       | 814472      | SHAFT/GEAR ASSEMBLY   |          | 1   |      |
| 11    | 0000       | 814473      | DRIVE   |          | 1   |      |
| 12    | 0000       | 33291       | COLLAR  |          | 1   |      |
| 13    | 0053       | 33290       | RING Retaining  |          | 1   |      |
| 14    | 0000       | 814474      | COLLAR  |          | 1   |      |
| 15    | 0000       | 814475      | HOUSING Drive Includes starter switch, plunger, return spring and shift lever |          | 1   |      |
| 16    | 0023       | 814476      | BUSHING   |          | 1   |      |
| 17    |            | N.S.S.      | Not Sold Separate Nut   |          | 1   |      |
| 18    | 0010       | 814468      | SCREW   |          | 2   |      |
| 19    | 0010       | 814477      | THRU BOLT   |          | 2   |      |

# ALTERNATOR (MOTOROLA #8MR2039K)



38908

## ALTERNATOR (MOTOROLA #8MR2039K)

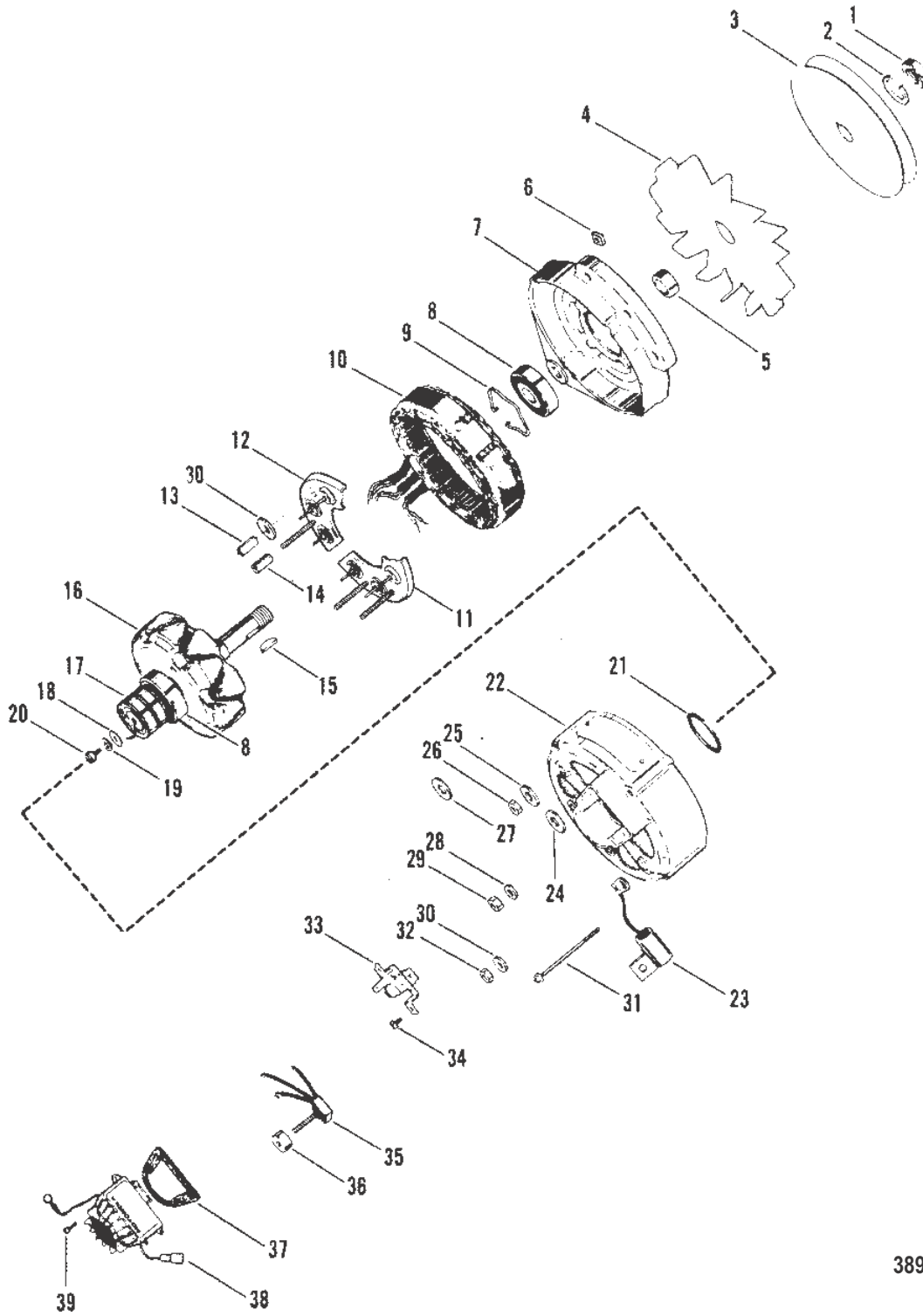
## ALTERNATOR (MOTOROLA #8MR2039K)

| Ref # | Part Class | Part Number | Description                              | Comments | Qty | Note |
|-------|------------|-------------|--|----------|-----|------|
| -     | 0000       | 92497A3     | ALTERNATOR ASSEMBLY (55 Ampere) (55 AMP) |          | 1   | [1]  |
| 1     | 0390       | 7027        | NUT FAN AND PULLEY TO ROTOR              |          | 1   |      |
| 2     | 0390       | 7033        | LOCKWASHER FAN AND PULLEY NUT            |          | 1   |      |
| 3     | 0390       | 8637        | PULLEY DRIVE END FRAME                   |          | 1   |      |
| 4     | 0390       | 7004        | FAN DRIVE END FRAME                      |          | 1   |      |
| 5     | 0390       | 7012        | SPACER FAN TO DRIVE END FRAME            |          | 1   |      |
| 6     | 0390       | 7028        | NUT THRU BOLT ATTACHING                  |          | 4   |      |
| 7     | 0390       | 7000        | COVER ASSEMBLY FRONT                     |          | 1   |      |
| 8     | 0390       | 7005        | BEARING Ball DRIVE END                   |          | 2   |      |
| 9     | 0390       | 7006        | RING DRIVE END BALL BEARING              |          | 1   |      |
| 10    | 0390       | 8636        | STATOR ASSEMBLY                          |          | 1   |      |
| 11    | 0390       | 7009        | DIODE NEGATIVE                           |          | 1   |      |
| 12    | 0390       | 7010        | HEAT SINK POSITIVE                       |          | 1   |      |
| 13    | 0390       | 7020        | SLEEVE INSULATOR                         |          | 1   |      |
| 14    | 0390       | 7018        | SLEEVE INSULATOR                         |          | 1   |      |
| 15    | 0390       | 7034        | KEY ROTOR                                |          | 1   |      |
| 16    | 0390       | 8635        | ROTOR ASSEMBLY                           |          | 1   |      |
| 17    | 0390       | 7014        | SLIP RING                                |          | 1   |      |
| 18    | 0390       | 7206        | WASHER ROTOR SCREW                       |          | 1   |      |
| 19    | 0390       | 7207        | LOCKWASHER ROTOR SCREW                   |          | 1   |      |
| 20    | 0390       | 7029        | SCREW (5/8 In.) ROTOR SHAFT (5/8&quot;)  |          | 1   |      |
| 21    | 0390       | 7007        | RETAINER ROTOR SHAFT BEARING             |          | 1   |      |
| 22    | 0390       | 7003        | HOUSING REAR                             |          | 1   |      |
| 23    | 0390       | 7035        | CONDENSER                                |          | 1   |      |
| 24    | 0390       | 7023        | INSULATOR REGULATOR TERMINAL STUD        |          | 1   |      |
| 25    | 0390       | 7024        | WASHER CONDENSOR TERMINAL STUD           |          | 1   |      |
| 26    | 0390       | 7025        | NUT TERMINAL STUD                        |          | 1   |      |
| 27    | 0390       | 7208        | WASHER TERMINAL STUD                     |          | 1   |      |
| 28    | 0390       | 7032        | LOCKWASHER TERMINAL STUD                 |          | 2   |      |
| 29    | 0390       | 7026        | NUT TERMINAL ATTACHING                   |          | 1   |      |
| 30    | 0390       | 7022        | WASHER CONDENSOR TERMINAL STUD           |          | 1   |      |
| 31    | 0390       | 8638        | THRU BOLT                                |          | 4   |      |
| 32    | 0390       | 7021        | NUT CONDENSOR TERMINAL ATTACHING         |          | 1   |      |
| 33    | 0390       | 7011        | HOLDER ASSEMBLY Brush                    |          | 1   |      |
| 34    | 0390       | 7030        | SCREW (1/2 In.) BRUSH HOLDER (1/2&quot;) |          | 2   |      |
| 35    | 0390       | 7008        | DIODE TRIO                               |          | 1   |      |
| 36    | 0390       | 7019        | SPACER DIODE TRIO                        |          | 1   |      |

ALTERNATOR (MOTOROLA #8MR2039K)



# ALTERNATOR (MOTOROLA #8MR2039K)



38908

## ALTERNATOR (MOTOROLA #8MR2039K)

**Cat.# 90-17468**

## ALTERNATOR (MOTOROLA #8MR2039K)

| Ref # | Part Class | Part Number | Description                          | Comments | Qty | Note |
|-------|------------|-------------|--------------------------------------|----------|-----|------|
| 37    | 0390       | 7013        | GASKET VOLTAGE<br>REGULATOR          |          | 1   |      |
| 38    | 0390       | 7036        | REGULATOR Voltage                    |          | 1   |      |
| 39    | 0390       | 7015        | SCREW VOLTAGE REGULATOR<br>ATTACHING |          | 4   |      |

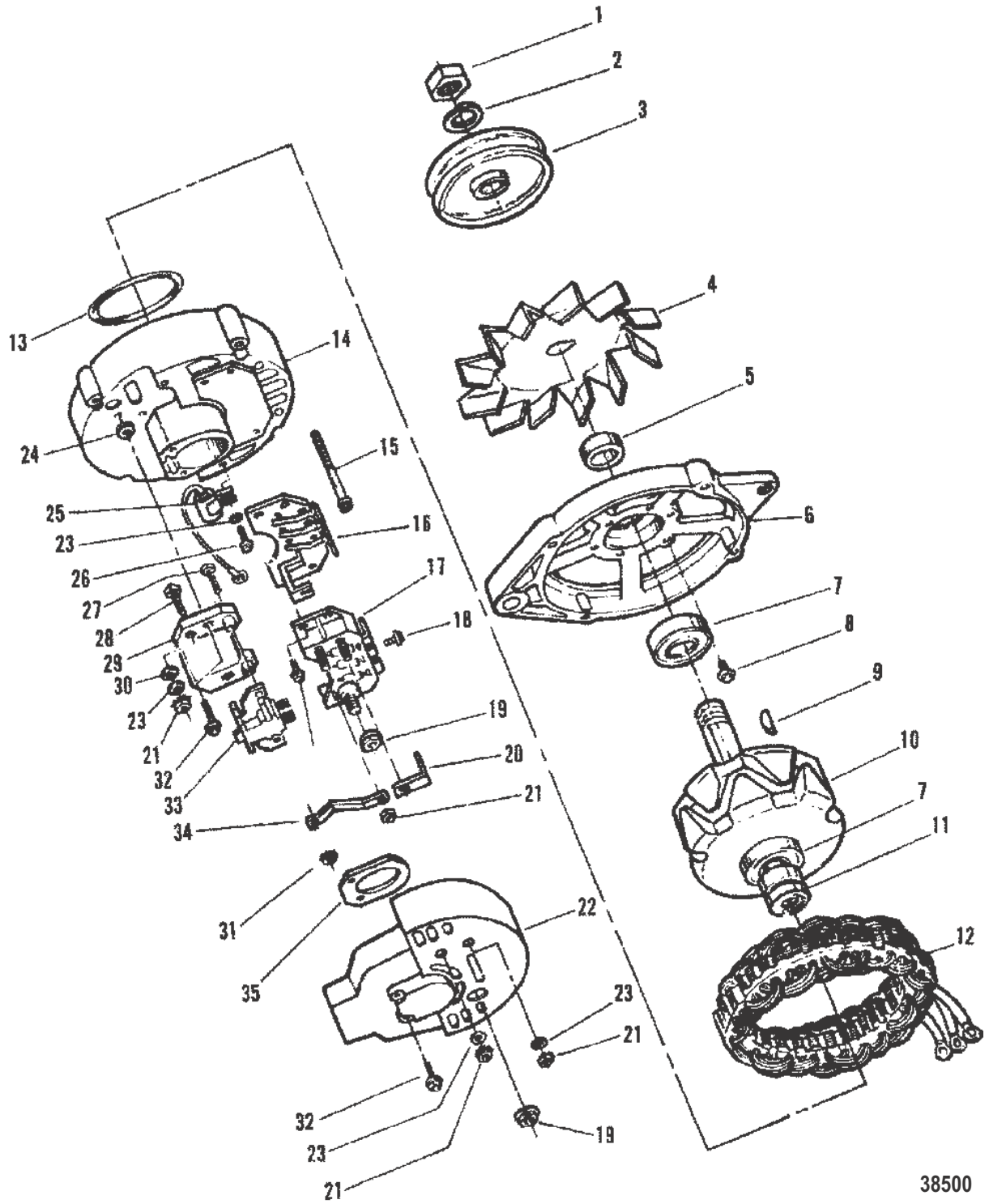
**PART NOTES:**

- [1] - Alternate part numbers:  
817119R01Reman  
92497A 3QS

---

ALTERNATOR (MOTOROLA #8MR2039K)

# ALTERNATOR (MOTOROLA #8EM2003KA)



38500

## ALTERNATOR (MOTOROLA #8EM2003KA)

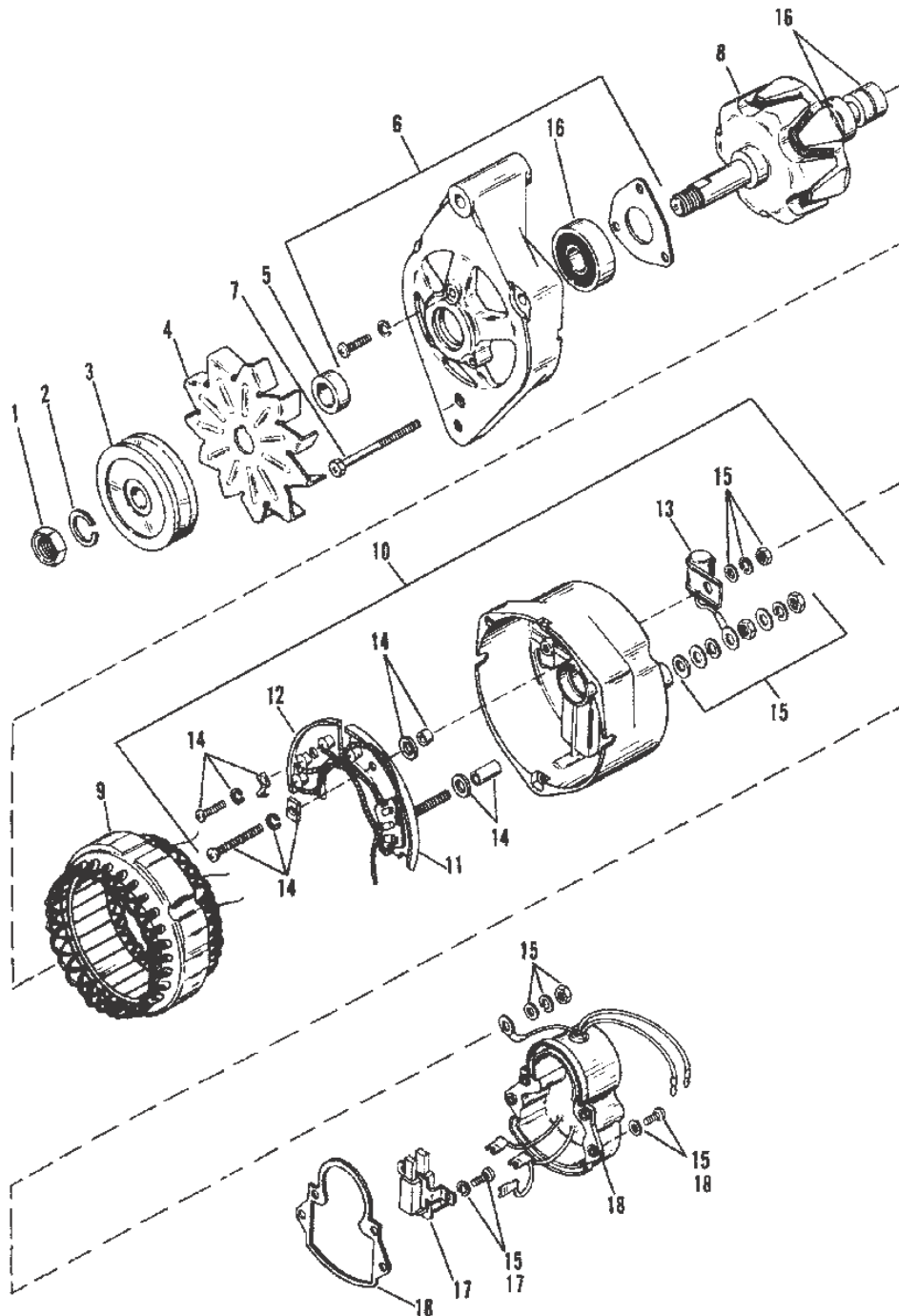
| Ref # | Part Class | Part Number | Description                              | Comments | Qty | Note |
|-------|------------|-------------|--|----------|-----|------|
| -     | 0000       | 92497A3     | ALTERNATOR ASSEMBLY (55 Ampere) (55 AMP) |          | 1   | [1]  |
| 1     | 0390       | 7027        | NUT                                      |          | 1   |      |
| 2     | 0390       | 7033        | LOCKWASHER                               |          | 1   |      |
| 3     | 0390       | 8637        | PULLEY                                   |          | 1   |      |
| 4     | 0390       | 7004        | FAN                                      |          | 1   |      |
| 5     | 0000       | 813969      | SPACER                                   |          | 1   |      |
| 6     | 0000       | 813961      | HOUSING Front FRONT                      |          | 1   |      |
| 7     | 0390       | 7005        | BEARING Ball                             |          | 2   |      |
| 8     | 0010       | 813978      | SCREW                                    |          | 4   |      |
| 9     | 0390       | 7034        | KEY                                      |          | 1   |      |
| 10    | 0000       | 813962      | ROTOR                                    |          | 1   |      |
| 11    | 0390       | 7014        | SLIP RING                                |          | 1   |      |
| 12    | 0000       | 813963      | STATOR                                   |          | 1   |      |
| 13    | 0390       | 7007        | RETAINER                                 |          | 1   |      |
| 14    | 0000       | 813964      | HOUSING Rear REAR                        |          | 1   |      |
| 15    | 0010       | 813975      | THRU BOLT                                |          | 4   |      |
| 16    | 0000       | 813966      | DIODE BRIDGE                             |          | 1   |      |
| 17    | 0000       | 813965      | DIODE FIELD                              |          | 1   |      |
| 18    | 0010       | 813981      | SCREW                                    |          | 3   |      |
| 19    | 0011       | 813976      | NUT                                      |          | 2   |      |
| 20    | 0000       | 813973      | STRAP                                    |          | 1   |      |
| 21    | 0390       | 7021        | NUT                                      |          | 5   |      |
| 22    | 0000       | 813971      | COVER                                    |          | 1   |      |
| 23    | 0012       | 813984      | WASHER                                   |          | 5   |      |
| 24    | 0390       | 7022        | WASHER                                   |          | 2   |      |
| 25    | 0000       | 813972      | CAPACITOR                                |          | 1   |      |
| 26    | 0010       | 813982      | SCREW                                    |          | 1   |      |
| 27    | 0010       | 813979      | SCREW                                    |          | 2   |      |
| 28    | 0010       | 813983      | SCREW                                    |          | 2   |      |
| 29    | 0000       | 813974      | REGULATOR Voltage                        |          | 1   |      |
| 30    | 0012       | 813985      | WASHER                                   |          | 2   |      |
| 31    | 0011       | 813977      | NUT                                      |          | 2   |      |
| 32    | 0010       | 813980      | SCREW                                    |          | 8   |      |
| 33    | 0000       | 813968      | BRUSH ASSEMBLY                           |          | 1   |      |
| 34    | 0000       | 813967      | STRAP (D+)                               |          | 1   |      |
| 35    | 0027       | 813970      | GASKET                                   |          | 1   |      |

## PART NOTES:

- [1] - Alternate part numbers:  
817119R01Reman  
92497A 3QS

ALTERNATOR (MOTOROLA #8EM2003KA)

# Alternator (Mando)

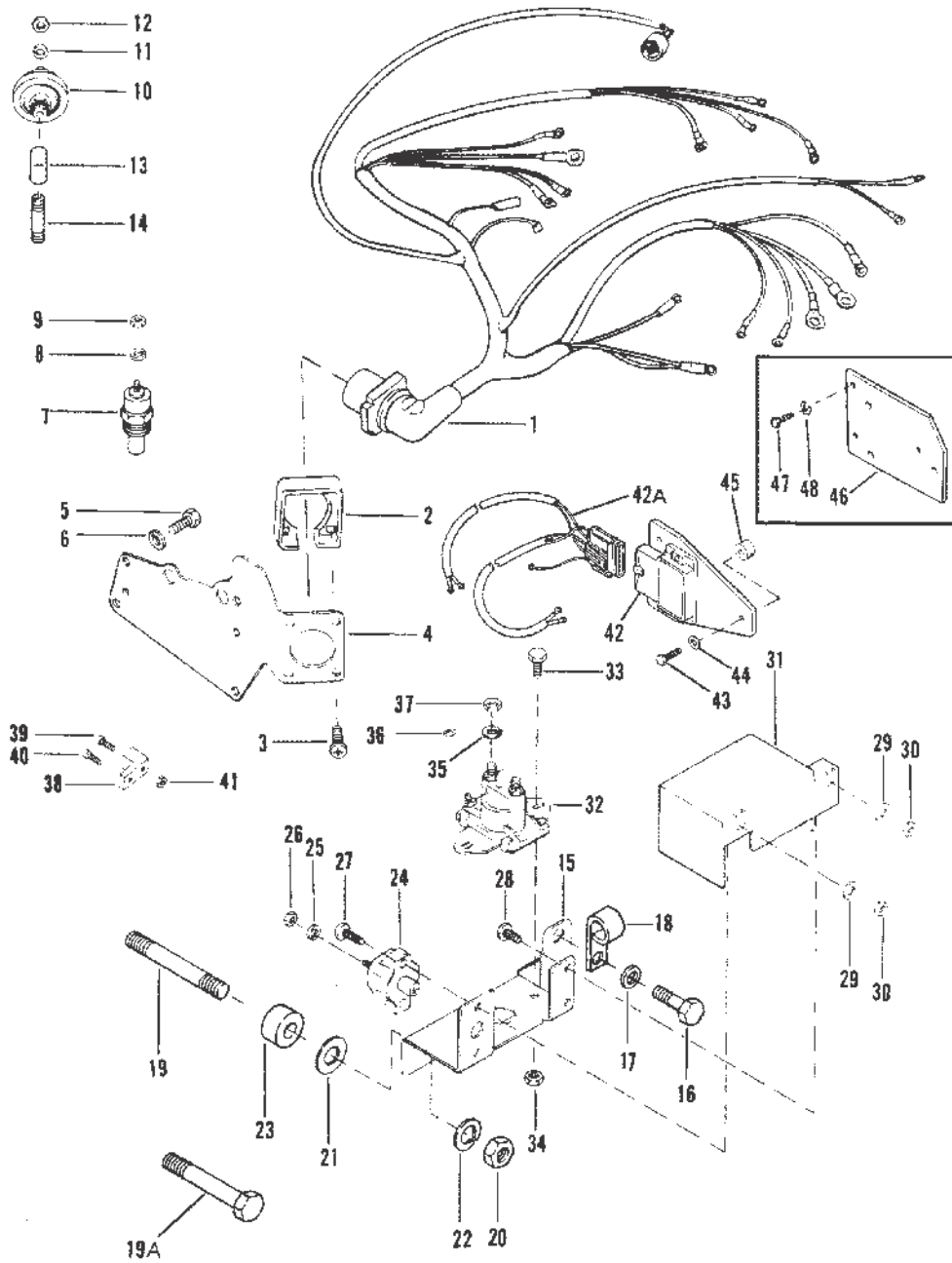


8186

## Alternator (Mando)

| Ref # | Part Class | Part Number | Description                            | Comments | Qty | Note |
|-------|------------|-------------|--|----------|-----|------|
| 1     | 0011       | 42768       | NUT                                    |          | 1   |      |
| 2     | 0013       | 42769       | LOCKWASHER                             |          | 1   |      |
| 3     | 0000       | 42770       | PULLEY                                 |          | 1   |      |
| 4     | 0000       | 42771       | FAN                                    |          | 1   |      |
| 5     | 0023       | 42772       | SPACER                                 |          | 1   |      |
| 6     | 0000       | 42774       | BRACKET FRONT                          |          | 1   |      |
| 7     | 0010       | 42773       | THRU BOLT                              |          | 3   |      |
| 8     | 0000       | 42775       | ROTOR (INCLUDES BEARINGS)              |          | 1   |      |
| 9     | 0000       | 42776       | STATOR                                 |          | 1   |      |
| 10    | 0000       | 42777       | BRACKET REAR                           |          | 1   |      |
| 11    | 0000       | 42778       | HEAT SINK (+)                          |          | 1   |      |
| 12    | 0000       | 42779       | HEAT SINK (-)                          |          | 1   |      |
| 13    | 0000       | 42780       | CONDENSER ASSEMBLY                     |          | 1   |      |
| 14    | 0000       | 42783       | HARDWARE KIT INTERNAL                  |          | 1   |      |
| 15    | 0000       | 42782       | HARDWARE KIT EXTERNAL                  |          | 1   |      |
| 16    | 0000       | 42781       | BEARING KIT                            |          | 1   |      |
| 17    | 0000       | 42784       | HOLDER KIT (INCLUDES SPRING & BRUSHES) |          | 1   |      |
| 18    | 0000       | 42785       | REGULATOR KIT                          |          | 1   |      |

# WIRING HARNESS AND ELECTRICAL COMPONENTS



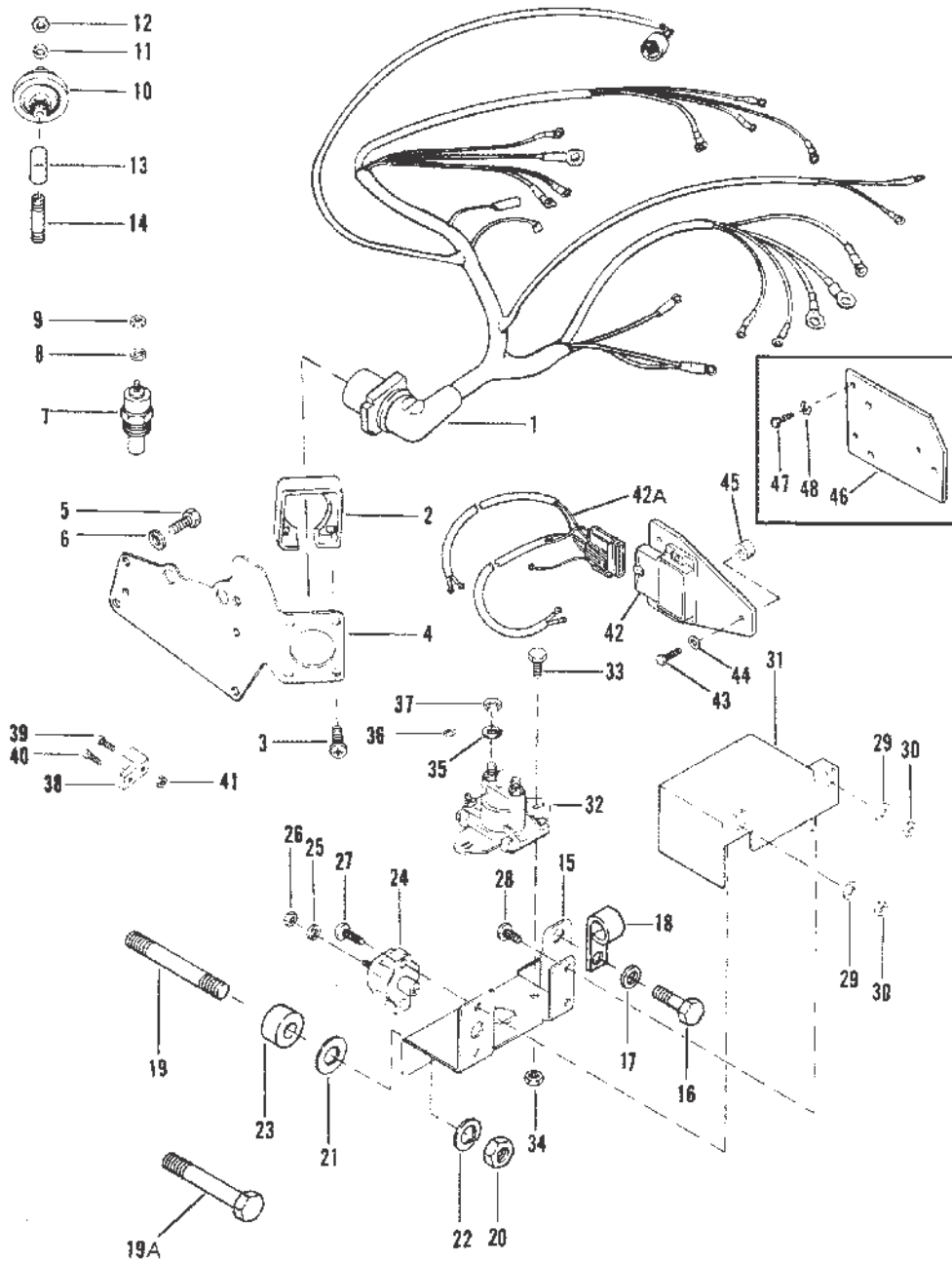
39264

## WIRING HARNESS AND ELECTRICAL COMPONENTS

| Ref # | Part Class | Part Number | Description   | Comments               | Qty | Note |
|-------|------------|-------------|---|------------------------|-----|------|
| 1     | 0084       | 99510A11    | HARNESS ASSEMBLY  |                        | 1   |      |
| 2     | 0000       | 26079       | PLATE WIRING HARNESS  | METAL                  | 1   |      |
| 2     | 0000       | 26079A2     | PLATE KIT Wire Harness Mount                                    | PLASTIC                | 1   |      |
| 3     | 0010       | 15001       | SCREW (#8-16 x .875)  | Use with Plastic Plate | 4   |      |
| 3     | 0010       | 34696       | SCREW (#8-32 x .750)  | Use with Metal Plate   | 4   |      |
| 4     | 0000       | 98493A2     | BRACKET MOUNTING  |                        | 1   |      |
| 5     | 0010       | 49668       | SCREW (.250-20 x .750)<br>MOUNTING BRACKET                      |                        | 3   |      |
| 6     | 0013       | 26992       | LOCKWASHER (.250) Stainless<br>Steel MOUNTING BRACKET           |                        | 3   |      |
| 7     | 0000       | 97257A1     | SENDER ASSEMBLY Water<br>Temperature (3/8-18)                   |                        | 1   |      |
| 7     | 0000       | 97258A1     | SENDER ASSEMBLY (1/2-14)  |                        | 1   |      |
| 7     | 0000       | 49734A1     | SENDER ASSEMBLY Water<br>Temperature (DUAL)                     |                        | OPT |      |
| 8     | 0013       | 26996       | LOCKWASHER (#10) Stainless<br>Steel                             |                        | 1   |      |
| 9     | 0011       | 68219       | NUT (#10-32) Stainless Steel                                    |                        | 1   |      |
| 10    | 0000       | 90806       | SENDER  |                        | 1   |      |
| 10    | 0000       | 37293       | SENDER ASSEMBLY Oil Pressure<br>(DUAL)                          |                        | OPT |      |
| 11    | 0013       | 26996       | LOCKWASHER (#10) Stainless<br>Steel                             |                        | 1   |      |
| 12    | 0011       | 68219       | NUT (#10-32) Stainless Steel                                    |                        | 1   |      |
| 13    | 0022       | 46932       | ELBOW OIL PRESSURE SENDER                                       |                        | 1   |      |
| 14    | 0022       | 42554       | NIPPLE OIL PRESSURE SENDER                                      |                        | 1   |      |
| 15    | 0000       | 41170T      | BRACKET MOUNTING  |                        | 1   |      |
| 16    | 0010       | 98260       | SCREW (.375-16 x .620)<br>MOUNTING BRACKET                      |                        | 1   |      |
| 17    | 0013       | 35048       | LOCKWASHER (.375) MOUNTING<br>BRACKET SCREW                     |                        | 1   |      |
| 18    | 0054       | 92850       | CLAMP BRACKET SCREW   |                        | 1   |      |
| 19    | 0016       | 56826       | STUD (1.5 In.) MOUNTING<br>BRACKET                              | OLD DESIGN             | 1   |      |
| 19A   | 0010       | 37612       | SCREW (.375-16 x 1.250)<br>MOUNTING BRACKET                     | NEW DESIGN             | 1   |      |
| 20    | 0011       | 24883       | NUT MOUNTING BRACKET STUD                                       | OLD DESIGN             | 1   |      |
| 21    | 0012       | 20572       | WASHER (.390 x .750 x .093)<br>MOUNTING BRACKET STUD            |                        | 1   |      |
| 22    | 0013       | 35048       | LOCKWASHER (.375) MOUNTING<br>BRACKET STUD                      |                        | 1   |      |
| 23    | 0023       | 57369       | SPACER MOUNTING BRACKET<br>STUD                                 |                        | 1   |      |
| 24    | 0088       | 11178       | BREAKER Circuit - 50 Ampere                                     |                        | 1   |      |
| 25    | 0013       | 26996       | LOCKWASHER (#10) Stainless<br>Steel CIRCUIT BREAKER<br>TERMINAL |                        | 2   |      |
| 26    | 0011       | 68219       | NUT (#10-32) Stainless Steel<br>CIRCUIT BREAKER TERMINAL        |                        | 2   |      |
| 27    | 0010       | 45862       | SCREW (#10-32 x .875) CIRCUIT<br>BREAKER                        |                        | 2   |      |



# WIRING HARNESS AND ELECTRICAL COMPONENTS

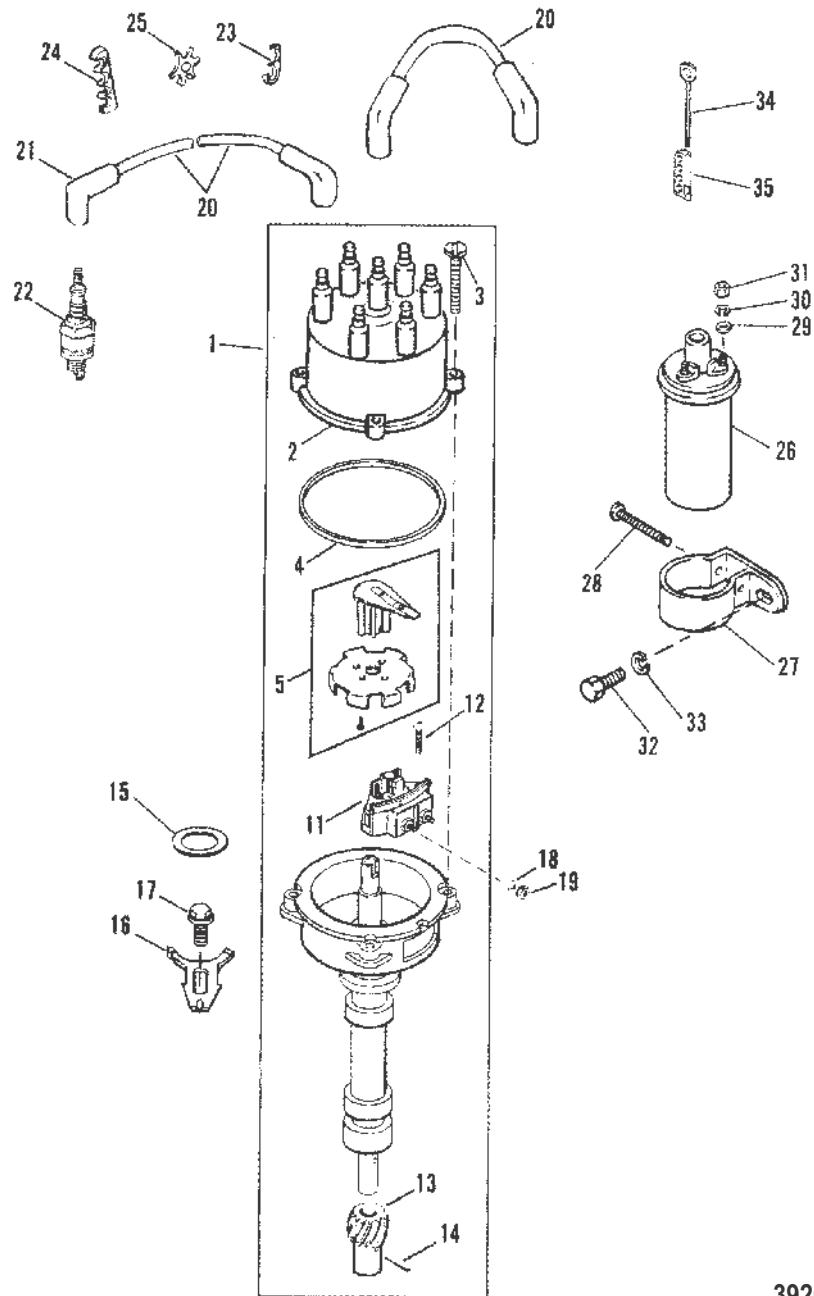


39264

## WIRING HARNESS AND ELECTRICAL COMPONENTS

| Ref # | Part Class | Part Number | Description   | Comments  | Qty | Note |
|-------|------------|-------------|---|---|-----|------|
| 28    | 0010       | 45218       | SCREW (#10-32 x .380)<br>INSULATOR                                |   | 1   |      |
| 29    | 0012       | 56681       | WASHER (.203 x .500 x .032)<br>CIRCUIT BREAKER SCREW              |   | 2   |      |
| 30    | 0011       | 46438       | NUT (#10-32) INSULATOR SCREW                                      |   | 3   |      |
| 31    | 0085       | 96819T      | INSULATOR CIRCUIT BREAKER   |   | 1   |      |
| 32    | 0089       | 96054       | SOLENOID ASSEMBLY Starter   |   | 1   |      |
| 33    | 0010       | 47910       | SCREW (1/4-28 x 5/8) STARTER<br>SOLENOID (5/8&quot;)              |   | 2   |      |
| 34    | 0011       | 20088       | NUT STARTER SOLENOID<br>SCREW                                     |   | 2   |      |
| 35    | 0013       | 26992       | LOCKWASHER (.250) Stainless<br>Steel STARTER SOLENOID<br>TERMINAL |   | 2   |      |
| 36    | 0011       | 26419       | NUT (#8-32) Brass   |   | 2   |      |
| 37    | 0011       | 94330       | NUT (.250-20) Brass   |   | 2   |      |
| 38    | 0086       | 45915       | TERMINAL BLOCK  | OLD DESIGN  | 1   |      |
| 39    | 0010       | 62568       | SCREW (#10-16 x .375) TERMINAL<br>BLOCK LEADS                     | OLD DESIGN  | 1   |      |
| 40    | 0010       | 22028       | SCREW (#10-32 x .50) TERMINAL<br>BLOCK                            | OLD DESIGN  | 1   |      |
| 41    | 0011       | 46438       | NUT (#10-32) TERMINAL BLOCK<br>SCREW                              | OLD DESIGN  | 1   |      |
| 42    | 0000       | 15247A1     | IGNITION AMPLIFIER  |   | 1   |      |
| 42A   | 0084       | 15275A1     | HARNESS ASSEMBLY  |   | 1   |      |
| 43    | 0010       | 76630       | SCREW (.250-20 x 1.00)<br>AMPLIFIER                               |   | 3   |      |
| 44    | 0013       | 26992       | LOCKWASHER (.250) Stainless<br>Steel AMPLIFIER SCREW              |   | 3   |      |
| 45    | 0023       | 92152       | SPACER (.27 x .75 x .38)<br>AMPLIFIER SCREW                       |   | 3   |      |
| 46    | 0000       | 125001      | PLATE IGNITION AMPLIFIER  | OLD DESIGN  | 1   |      |
| 47    | 0010       | 76596       | SCREW (.250-20 x 1.250)<br>AMPLIFIER PLATE                        | OLD DESIGN  | 3   |      |
| 48    | 0013       | 26992       | LOCKWASHER (.250) Stainless<br>Steel AMPLIFIER PLATE SCREW        | OLD DESIGN  | 3   |      |
| -     | 0084       | 11149A5     | HARNESS ASSEMBLY Adapter  | Used to adapt ring terminal<br>and bullet connector wiring<br>harnesses | 1   |      |

# DISTRIBUTOR AND IGNITION COMPONENTS



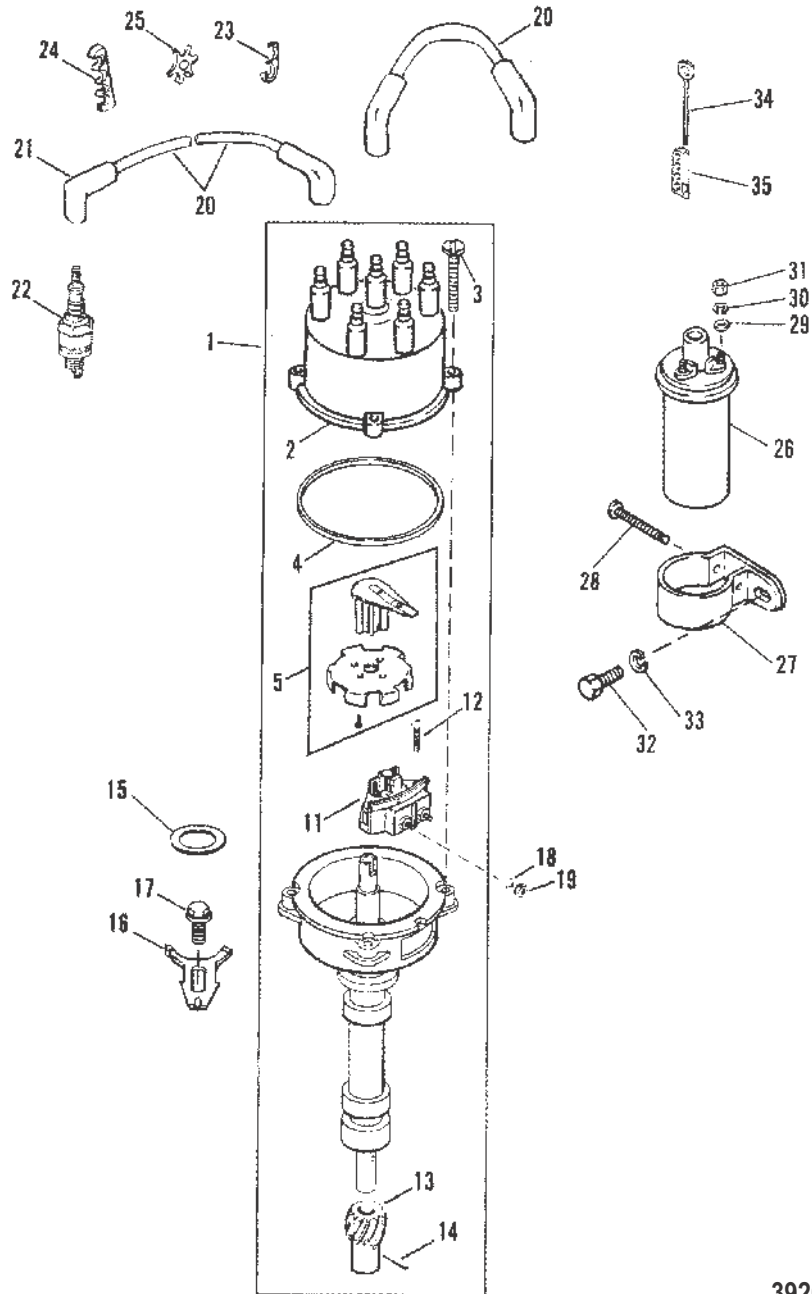
39265

## DISTRIBUTOR AND IGNITION COMPONENTS

| Ref # | Part Class | Part Number | Description   | Comments   | Qty | Note |
|-------|------------|-------------|---|------------|-----|------|
| 1     | 0000       | 90747A15    | DISTRIBUTOR ASSEMBLY  |            | 1   |      |
| 2     | 0000       | 13753A2     | CAP DISTRIBUTOR   |            | 1   | [1]  |
| 3     | 0010       | 90926       | SCREW (#10-32 x .810)<br>DISTRIBUTOR CAP                                  |            | 4   |      |
| 4     | 0027       | 982421      | GASKET DISTRIBUTOR CAP  |            | 1   |      |
| 5     | 0000       | 13524A6     | ROTOR/SENSOR WHEEL  |            | 1   | [2]  |
| 11    | 0087       | 91019A3     | SENSOR ASSEMBLY   |            | 1   |      |
| 12    | 0010       | 66686       | SCREW (#10-32 x 1.00) SENSOR  |            | 1   |      |
| 12    | 0010       | 72202       | SCREW (#10-32 x 1.25) SENSOR  |            | 1   |      |
| 13    | 0043       | 8137761     | GEAR DRIVE  |            | 1   |      |
| 14    | 0017       | 47617       | PIN DRIVE GEAR  |            | 1   |      |
| 15    | 0027       | 344863      | GASKET DISTRIBUTOR  |            | 1   | [3]  |
| 16    | 0000       | 52185       | CLAMP DISTRIBUTOR TO INTAKE<br>MANIFOLD                                   |            | 1   |      |
| 17    | 0010       | 11976       | SCREW (.375-16 x 1.00)<br>DISTRIBUTOR CLAMP                               |            | 1   |      |
| 18    | 0013       | 26996       | LOCKWASHER (#10) Stainless<br>Steel DISTRIBUTOR TERMINAL                  |            | 2   |      |
| 19    | 0011       | 68219       | NUT (#10-32) Stainless Steel<br>DISTRIBUTOR TERMINAL                      |            | 2   |      |
| 20    | 0084       | 813720A11   | SPARK PLUG WIRE KIT   |            | 1   |      |
| 21    | 0085       | 63709A1     | BOOT/TERMINAL KIT SPARK<br>PLUG   |            | 8   |      |
| 22    | 0033       | 59571       | SPARK PLUG  |            | 8   | [4]  |
| 23    | 0000       | 54676       | RETAINER Two Wire HIGH<br>TENSION LEADS                                   | OLD DESIGN | 2   |      |
| 24    | 0000       | 32783       | RETAINER Three Wire HIGH<br>TENSION LEADS                                 | OLD DESIGN | 4   |      |
| 25    | 0000       | 32784       | RETAINER Four Wire HIGH<br>TENSION LEADS                                  | OLD DESIGN | 2   |      |
| 26    | 0392       | 7803A4      | COIL IGNITION   |            | 1   |      |
| 27    | 0000       | 65970       | BRACKET IGNITION COIL   |            | 1   |      |
| 28    | 0010       | 41408       | SCREW (#10-32 x 1.50) BRACKET   |            | 1   |      |
| 29    | 0012       | 30164       | WASHER (.192 x .375 x .0312)<br>Stainless Steel IGNITION COIL<br>TERMINAL |            | 2   |      |
| 30    | 0013       | 26996       | LOCKWASHER (#10) Stainless<br>Steel IGNITION COIL TERMINAL                |            | 2   |      |
| 31    | 0011       | 68219       | NUT (#10-32) Stainless Steel<br>IGNITION COIL TERMINAL                    |            | 2   |      |
| 32    | 0010       | 98260       | SCREW (.375-16 x .620) IGNITION<br>COIL                                   |            | 1   |      |
| 33    | 0013       | 35048       | LOCKWASHER (.375) IGNITION<br>COIL SCREW                                  |            | 1   |      |
| 34    | 0016       | 90096A1     | STUD ASSEMBLY (#10-32 x<br>Special)                                       | NEW DESIGN | 2   |      |
| 35    | 0054       | 72821       | RETAINER WIRE   | NEW DESIGN | 2   |      |
| -     | 0027       | 11977A92    | GASKET SET  |            | 1   |      |

## DISTRIBUTOR AND IGNITION COMPONENTS

# DISTRIBUTOR AND IGNITION COMPONENTS



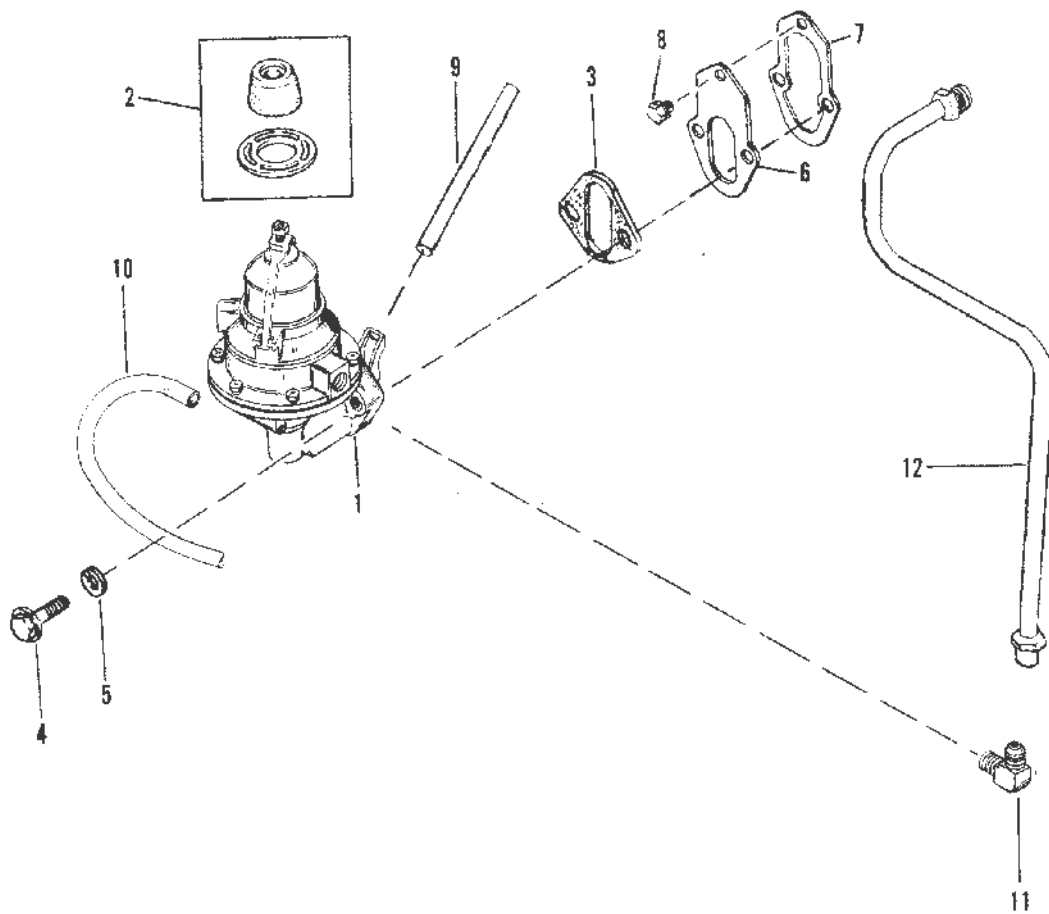
39265

## DISTRIBUTOR AND IGNITION COMPONENTS

**PART NOTES:**

- [1] - Alternate part numbers:
  - 13753A 2Service Part
  - 815407Q 5QS Kit
  - 815407T 5MPP Kit
- [2] - Alternate part numbers:
  - 13524A 6Service Part
  - 13524Q06QS
  - 815407Q 5QS Kit
  - 815407T 5MPP Kit
- [3] - COMPONENT OF ENGINE/POWERHEAD GASKET SET 11977A92
- [4] - Alternate part numbers:
  - 59571QS
  - 59571BBulk Pack

# FUEL PUMP AND FUEL FILTER



39266

## FUEL PUMP AND FUEL FILTER

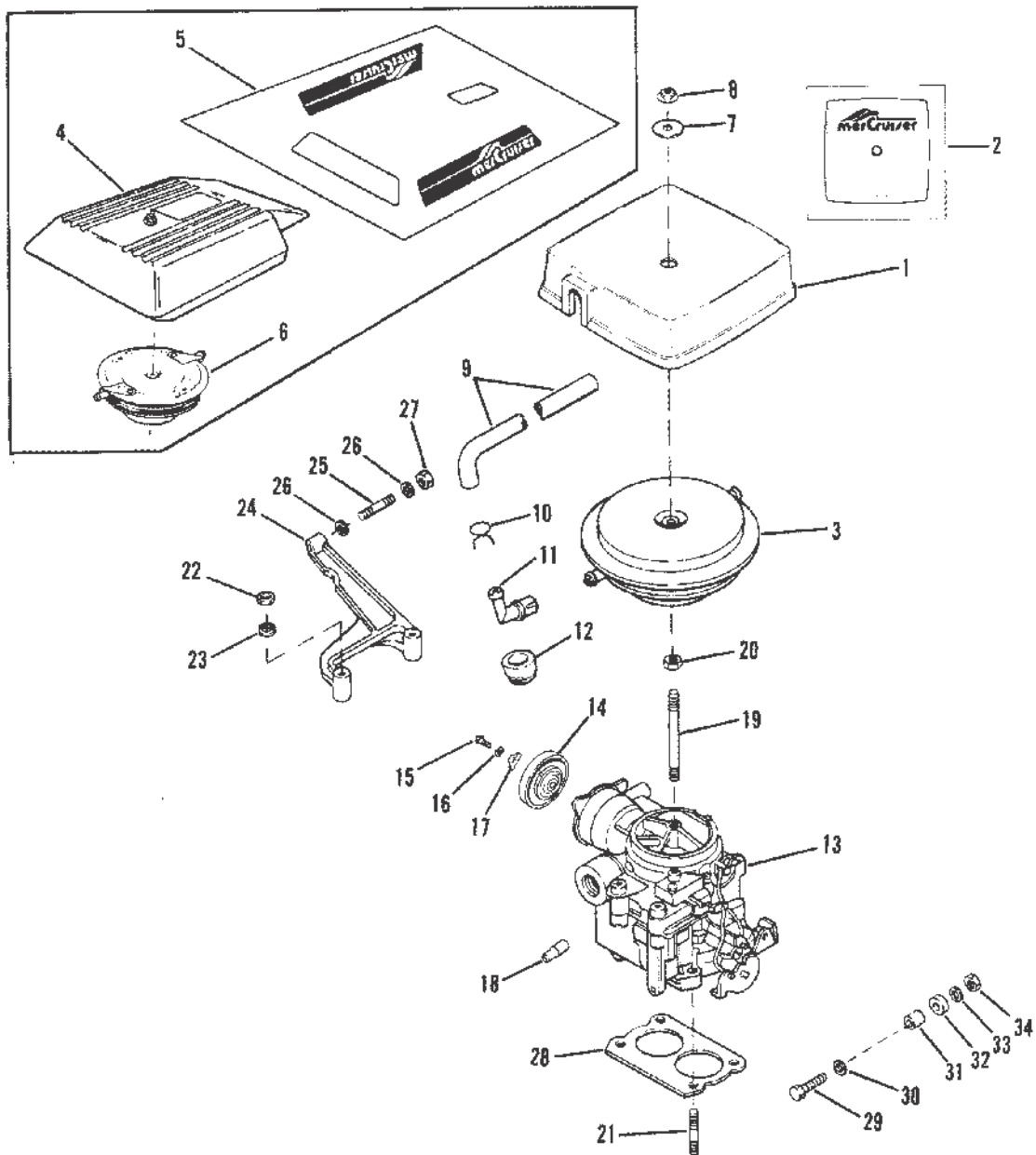
| Ref # | Part Class | Part Number | Description  | Comments      | Qty | Note |
|-------|------------|-------------|--|---------------|-----|------|
| 1     | 0000       | 41141A2     | PUMP ASSEMBLY Fuel   |               | 1   |      |
| 2     | 0035       | 11004       | FILTER   |               | 1   |      |
| 3     | 0027       | 34213       | GASKET FUEL PUMP TO CYLINDER BLOCK                         |               | 1   | [1]  |
| 4     | 0010       | 31984       | SCREW (.312-18 x 1.375) FUEL PUMP                          |               | 2   |      |
| 5     | 0013       | 39107       | LOCKWASHER (.312-24) FUEL PUMP SCREW                       |               | 2   |      |
| 6     | 0000       | 42454       | PLATE FUEL PUMP MOUNTING                                   |               | 1   |      |
| 7     | 0027       | 42457       | GASKET FUEL PUMP MOUNTING PLATE                            |               | 1   | [1]  |
| 8     | 0010       | 35366       | SCREW FUEL PUMP MOUNTING PLATE                             |               | 2   |      |
| 9     | 0000       | 17347       | ROD PUSH - FUEL PUMP                                       |               | 1   |      |
| 10    | 0032       | 7381563     | HOSE (34.00 Inches Bulk) PLASTIC - FUEL PUMP TO CARBURETOR |               | 1   |      |
| 11    | 0022       | 43276       | ELBOW (90 Degree) FUEL PUMP                                |               | 1   |      |
| 12    | 0032       | 118512      | LINE Fuel FUEL PUMP TO CARBURETOR                          | 175 - 4.3L    | 1   |      |
| 12    | 0032       | 99755A2     | LINE ASSEMBLY Fuel FUEL PUMP TO CARBURETOR                 | 205 - 4.3L/LX | 1   |      |
| -     | 0027       | 11977A92    | GASKET SET   |               | 1   |      |

**PART NOTES:**

[1] - COMPONENT OF ENGINE/POWERHEAD GASKET SET 11977A92



# CARBURETOR AND THROTTLE LINKAGE (175 - 4.3L)



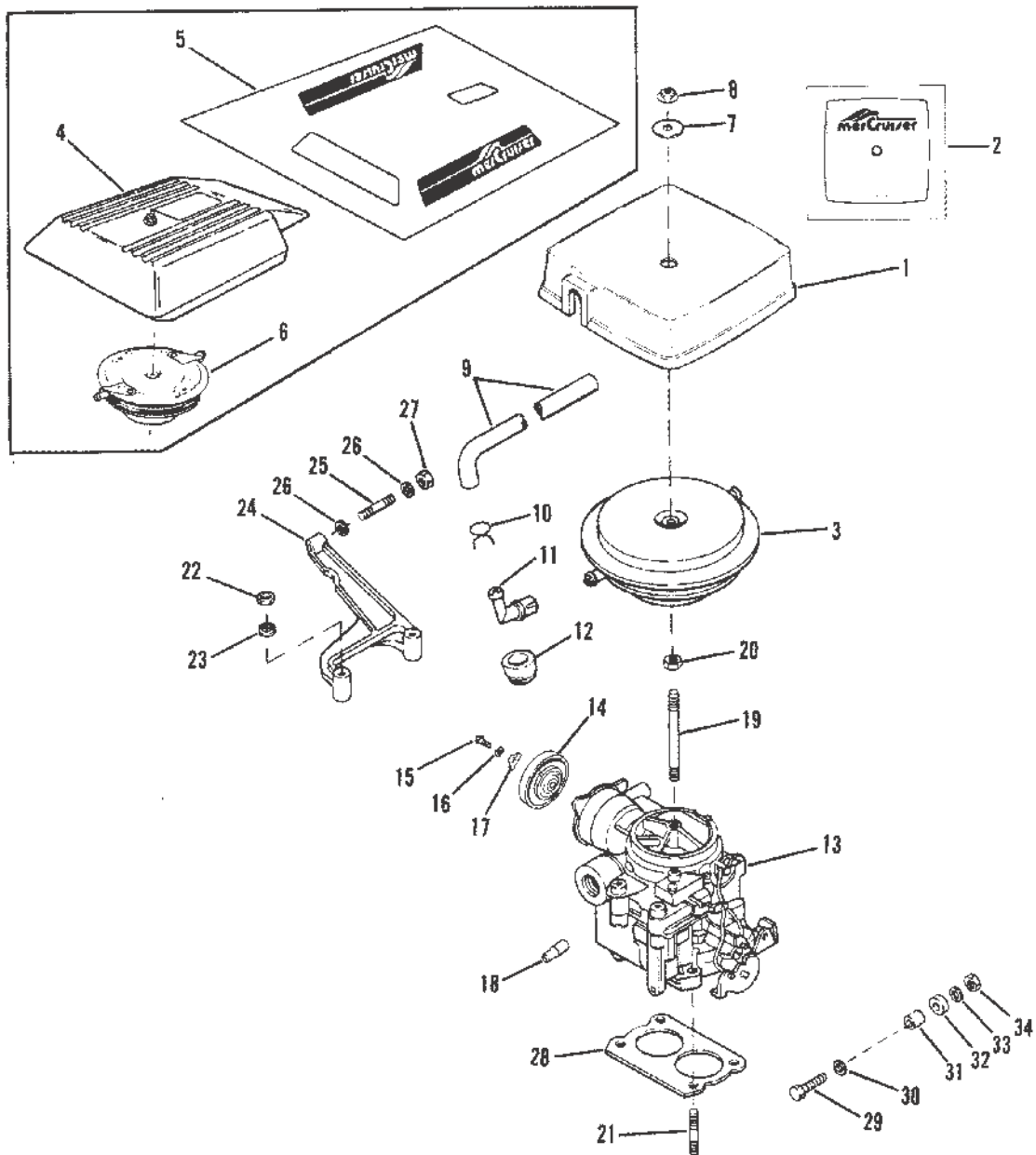
39267

## CARBURETOR AND THROTTLE LINKAGE (175 - 4.3L)

| Ref # | Part Class | Part Number | Description                                      | Comments                 | Qty | Note |
|-------|------------|-------------|--|--------------------------|-----|------|
| 1     | 0000       | 15414A7     | COVER CARBURETOR                                 | DESIGN I                 | 1   |      |
| 2     | 0037       | 1372320     | DECAL CARBURETOR COVER                           | 175 ALPHA ONE - DESIGN I | 1   |      |
| 2     | 0037       | 1372329     | DECAL CARBURETOR COVER                           | 4.3L - DESIGN I          | 1   |      |
| 3     | 0000       | 86271A1     | FLAME ARRESTOR CARBURETOR                        | DESIGN I                 | 1   |      |
| 4     | 0000       | 18484A3     | COVER CARBURETOR                                 | DESIGN II                | 1   |      |
| 5     | 0037       | 812776A1    | DECAL SET COVER                                  | DESIGN II                | 1   |      |
| 6     | 0000       | 44196T1     | FLAME ARRESTOR                                   | DESIGN II                | 1   |      |
| 7     | 0012       | 86400       | WASHER SEALING                                   |                          | 1   |      |
| 8     | 0011       | 20586       | NUT (.250-28) SILENCER ADAPTER                   |                          | 1   |      |
| 9     | 0032       | 9331512     | HOSE (11-1/4")                                   |                          | 2   |      |
| 9     | 0032       | 1589418     | HOSE Breather (CORRUGATED)                       |                          | 2   |      |
| 10    | 0054       | 53101       | CLAMP VENT HOSE                                  |                          | 4   |      |
| 11    | 0000       | 97850       | ELBOW 90 Degree Breather - VENT HOSE             |                          | OPT |      |
| 11    | 0000       | 47957       | CONNECTOR VENT HOSE (STRAIGHT)                   |                          | OPT |      |
| 12    | 0025       | 52188       | GROMMET ROCKER COVER                             |                          | 2   |      |
| 13    | 3304       | 9565A1      | CARBURETOR ASSEMBLY (MERCARB)                    |                          | 1   | [1]  |
| 14    | 0000       | 70125A1     | COVER Choke                                      |                          | 1   |      |
| 15    | 0010       | 33047       | SCREW CHOKE COVER                                |                          | 3   |      |
| 16    | 0013       | 26995       | LOCKWASHER (#8) Stainless Steel COVER SCREW      |                          | 1   |      |
| 17    | 0054       | 33036       | RETAINER COVER SCREW                             |                          | 3   |      |
| 18    | 0022       | 54090       | ELBOW CARBURETOR                                 |                          | 1   |      |
| 19    | 0016       | 97012       | STUD FLAME ARRESTOR                              |                          | 1   |      |
| 20    | 0011       | 28941       | NUT JAM - FLAME ARRESTOR                         |                          | 1   |      |
| 21    | 0016       | 70236       | STUD (.312 x 1.500) CARBURETOR                   |                          | 2   |      |
| 21    | 0016       | 70237       | STUD (.312-18/.312-24 x 2.620) CARBURETOR        |                          | 2   |      |
| 22    | 0011       | 25594       | NUT (.9375-24) CARBURETOR STUD                   |                          | 4   |      |
| 23    | 0012       | 20084       | WASHER (.328 x .562 x .062) CARBURETOR STUD      |                          | 4   |      |
| 24    | 0000       | 77456A2     | BRACKET THROTTLE CABLE                           |                          | 1   |      |
| 25    | 0016       | 38525       | STUD THROTTLE CABLE                              |                          | 1   |      |
| 26    | 0012       | 24664       | WASHER (M4 x 20) THROTTLE CABLE STUD             |                          | 2   |      |
| 27    | 0011       | 20586       | NUT (.250-28) THROTTLE CABLE STUD                |                          | 1   |      |
| 28    | 0027       | 701431      | GASKET CARBURETOR TO INTAKE MANIFOLD             |                          | 1   | [2]  |
| 29    | 0010       | 98509       | SCREW THROTTLE CABLE TO CARBURETOR               |                          | 1   |      |
| 30    | 0012       | 56681       | WASHER (.203 x .500 x .032) THROTTLE CABLE SCREW |                          | 1   |      |

## CARBURETOR AND THROTTLE LINKAGE (175 - 4.3L)

# CARBURETOR AND THROTTLE LINKAGE (175 - 4.3L)



39267

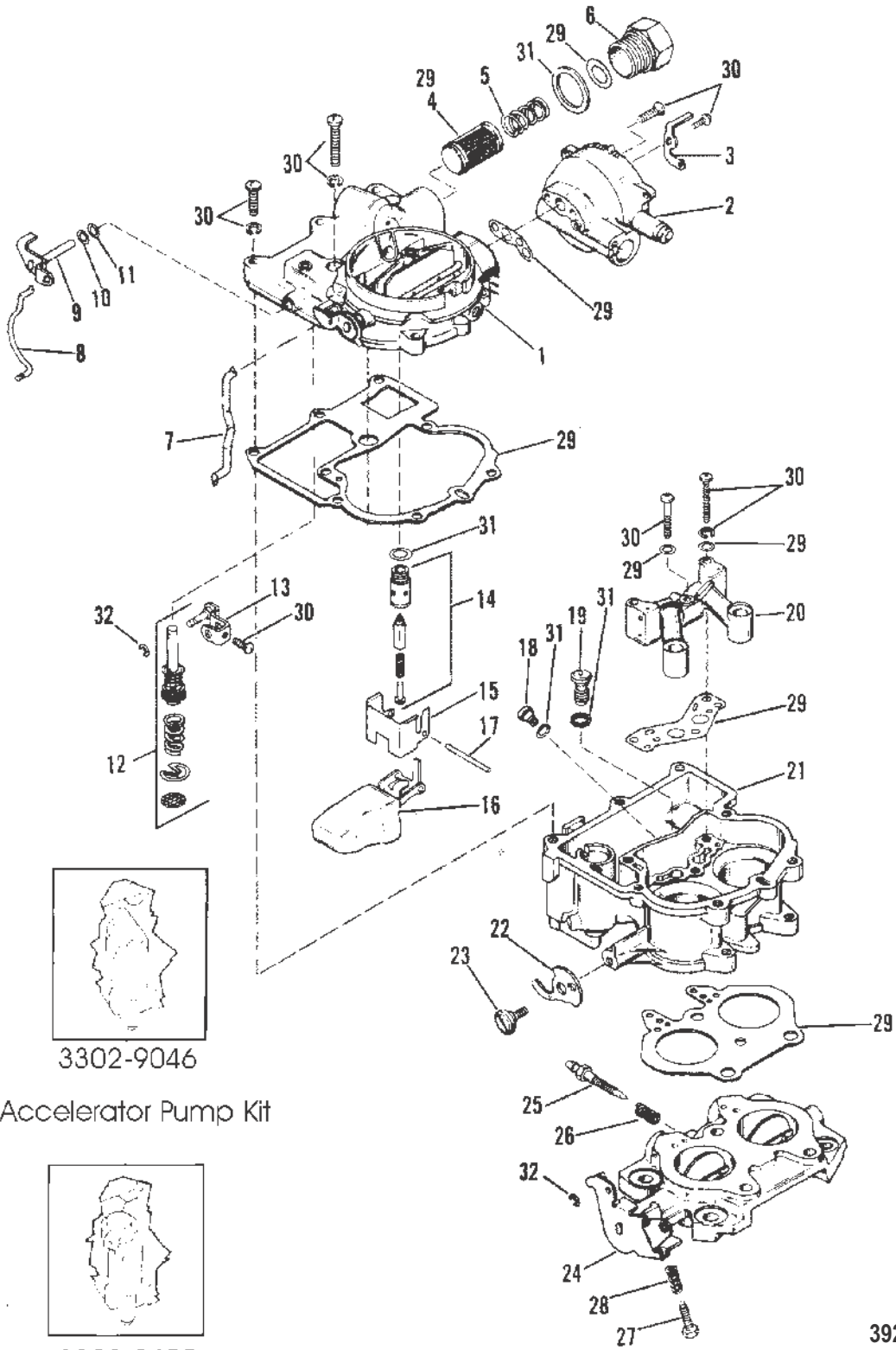
## CARBURETOR AND THROTTLE LINKAGE (175 - 4.3L)

| Ref # | Part Class | Part Number | Description                          | Comments | Qty | Note |
|-------|------------|-------------|--------------------------------------|----------|-----|------|
| 31    | 0023       | 57938       | BUSHING THROTTLE CABLE<br>SCREW      |          | 1   |      |
| 32    | 0023       | 34948       | SPACER THROTTLE CABLE<br>SCREW       |          | 1   |      |
| 33    | 0012       | 20128       | WASHER THROTTLE CABLE<br>SCREW       |          | 1   |      |
| 34    | 0011       | 20190       | NUT (#10-32) THROTTLE CABLE<br>SCREW |          | 1   |      |
| -     | 0027       | 11977A92    | GASKET SET                           |          | 1   |      |

**PART NOTES:**

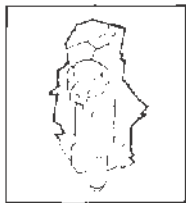
- [1] - Alternate part numbers:  
804618R02Reman  
9565A 1QS
- [2] - COMPONENT OF ENGINE/POWERHEAD GASKET SET 11977A92

CARBURETOR (MERCARB)(175 - 4.3L)



3302-9046

Accelerator Pump Kit



3302-9655

39268

RESOURCE NOTES:

CARBURETOR (MERCARB)(175 - 4.3L)

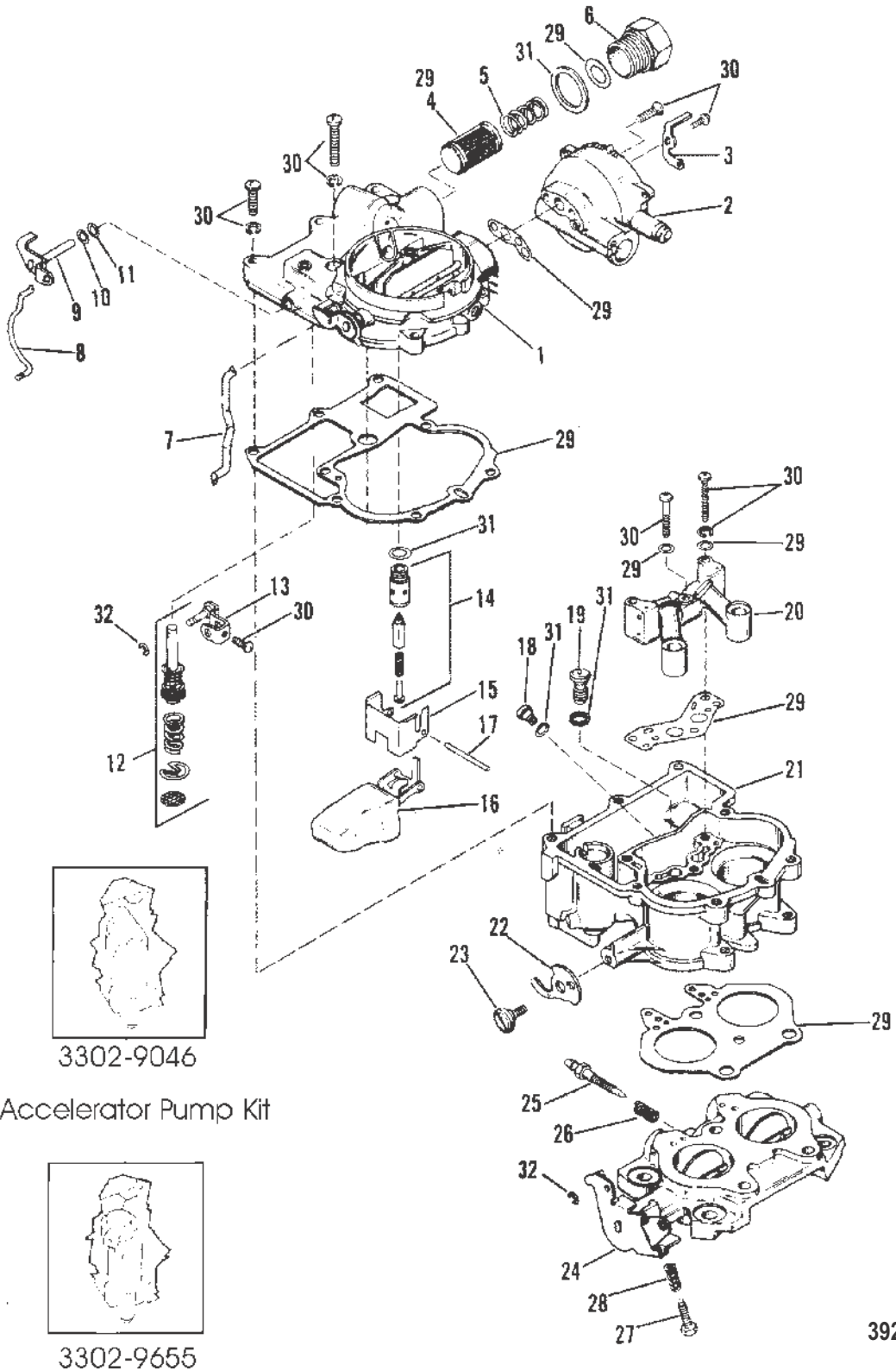
To insure ordering correct Accelerator Pump Kit, check pump cavity on bottom of carburetor and compare to drawings shown on illustration.

## CARBURETOR (MERCARB)(175 - 4.3L)

| Ref # | Part Class | Part Number | Description                              | Comments | Qty | Note |
|-------|------------|-------------|--|----------|-----|------|
| -     | 3304       | 9565A1      | CARBURETOR ASSEMBLY                      |          | 1   | [1]  |
| 1     |            | N.S.S.      | Not Sold Separate Air Horn Assembly      |          | 1   |      |
| 2     |            | N.S.S.      | Not Sold Separate Choke Housing Assembly |          | 1   |      |
| 3     | 3302       | 9037        | ARM Choke                                |          | 1   |      |
| 4     | 3302       | 9033        | STRAINER                                 |          | 1   |      |
| 5     | 3302       | 9032        | SPRING FUEL STRAINER                     |          | 1   |      |
| 6     | 3302       | 9034        | CONNECTOR INLET                          |          | 1   |      |
| 7     | 3302       | 9042        | ROD Choke                                |          | 1   |      |
| 8     | 3302       | 9041        | ROD Pump                                 |          | 1   |      |
| 9     | 3302       | 9035        | LEVER ACCELERATOR PUMP                   |          | 1   |      |
| 10    | 3302       | 9039        | WASHER PUMP LEVER                        |          | 1   |      |
| 11    | 3302       | 9040        | WASHER PUMP LEVER                        |          | 1   |      |
| 12    | 3302       | 9046        | PUMP KIT                                 | SEE NOTE | 1   | [2]  |
| 12    | 3302       | 9655        | PUMP KIT Accelerator                     | SEE NOTE | 1   | [3]  |
| 13    | 3302       | 9036        | ARM ACCELERATOR PUMP                     |          | 1   |      |
| 14    | 3302       | 9407        | SEAT KIT Inlet                           |          | 1   |      |
| 15    | 3302       | 9038        | PLATE Baffle                             |          | 1   |      |
| 16    | 3302       | 9031        | FLOAT                                    |          | 1   |      |
| 17    | 3302       | 9030        | PIN FLOAT                                |          | 1   |      |
| 18    | 3302       | 9058        | JET Main                                 |          | 1   |      |
| 19    | 3302       | 9435        | JET Power                                |          | 1   |      |
| 20    | 3302       | 9436        | VENTURI                                  |          | 1   |      |
| 21    |            | N.S.S.      | Not Sold Separate BODY, CARBURETOR       |          | 1   |      |
| 22    | 3302       | 9048        | CAM FAST IDLE                            |          | 1   |      |
| 23    | 3302       | 9049        | SHAFT FAST IDLE CAM                      |          | 1   |      |
| 24    |            | N.S.S.      | Not Sold Separate Flange Assembly        |          | 1   |      |
| 25    | 3302       | 9052        | SCREW IDLE ADJUSTING                     |          | 1   |      |
| 26    | 3302       | 9053        | SPRING IDLE ADJUSTING SCREW              |          | 1   |      |
| 27    | 3302       | 9060        | SCREW THROTTLE ADJUSTING                 |          | 1   |      |
| 28    | 3302       | 9054        | SPRING THROTTLE ADJUSTING SCREW          |          | 1   |      |
| 29    | 3302       | 9061        | GASKET SET                               |          | 1   |      |
| 30    | 3302       | 9045        | SCREW KIT                                |          | 1   |      |
| 31    | 3302       | 9044        | PACKING SET                              |          | 1   |      |
| 32    | 3302       | 9658        | E-RING                                   |          | 2   |      |
| -     | 3302       | 9437        | OVERHAUL KIT For Pump 9046               |          | 1   |      |
| -     | 3302       | 804844002   | CARBURETOR REPAIR KIT For Pump 9655      |          | 1   | [3]  |

CARBURETOR (MERCARB)(175 - 4.3L)

# CARBURETOR (MERCARB)(175 - 4.3L)



CARBURETOR (MERCARB)(175 - 4.3L)

CARBURETOR (MERCARB)(175 - 4.3L)

PART NOTES:

- [1] - Alternate part numbers:  
804618R02Reman  
9565A 1QS
- [2] - Alternate part numbers:  
804845Kit  
9046Service Part
- [3] - Alternate part numbers:  
804844002Kit  
9655Service Part



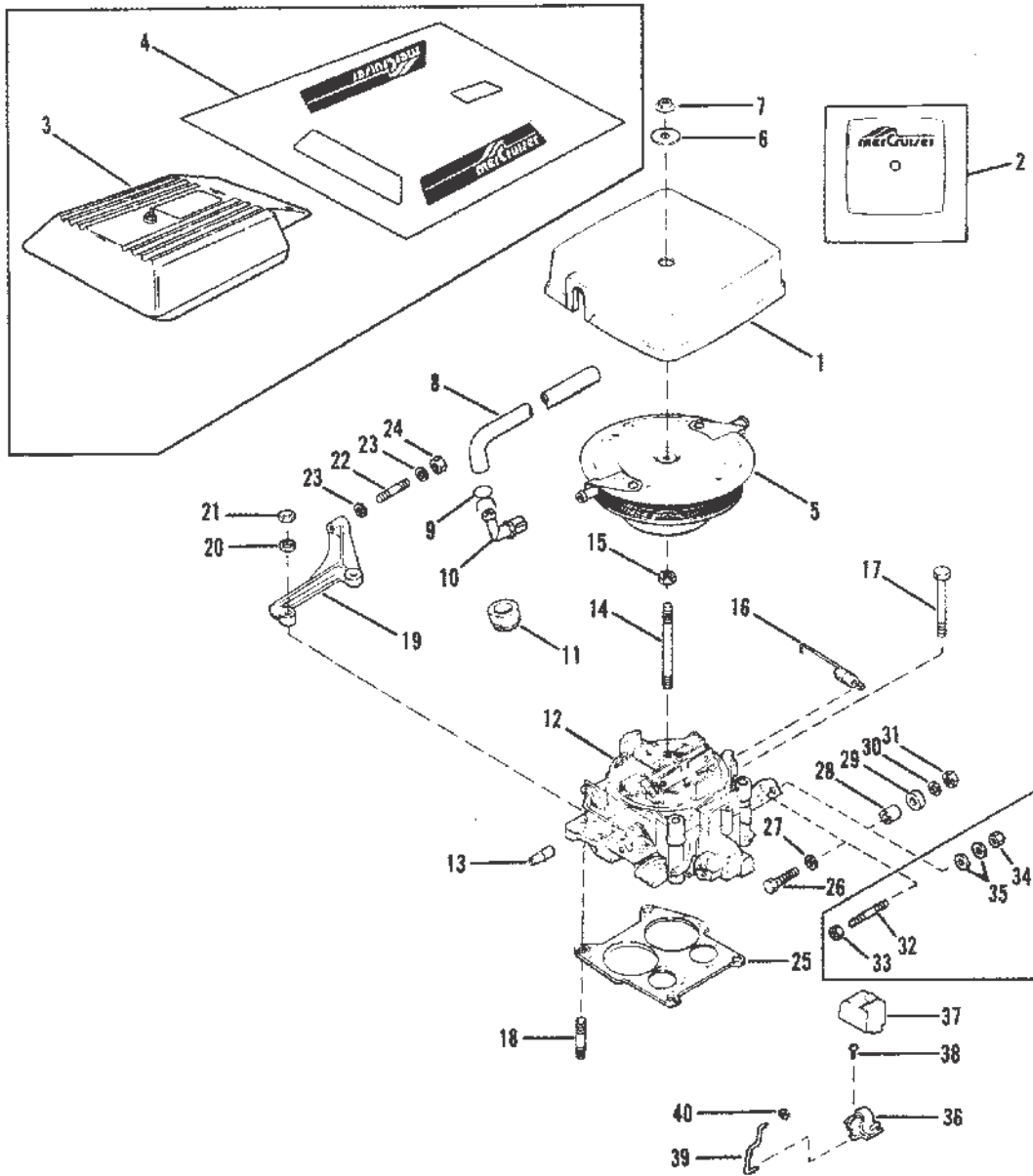


## CARBURETOR AND THROTTLE LINKAGE (205 - 4.3L/LX)

| Ref # | Part Class | Part Number | Description  | Comments                   | Qty | Note |
|-------|------------|-------------|--|----------------------------|-----|------|
| 1     | 0000       | 15414A7     | COVER CARBURETOR                                     | OLD DESIGN                 | 1   |      |
| 2     | 0037       | 1372310     | DECAL CARBURETOR COVER                               | 205 ALPHA ONE - OLD DESIGN | 1   |      |
| 2     | 0037       | 1372332     | DECAL CARBURETOR COVER                               | 4.3L/LX - OLD DESIGN       | 1   |      |
| 3     | 0000       | 18484A3     | COVER CARBURETOR                                     |                            | 1   |      |
| 4     | 0037       | 812776A2    | DECAL SET COVER                                      |                            | 1   |      |
| 5     | 0000       | 85785A2     | ARRESTOR ASSEMBLY Flame CARBURETOR                   |                            | 1   |      |
| 6     | 0012       | 86400       | WASHER SEALING                                       |                            | 1   |      |
| 7     | 0011       | 20586       | NUT (.250-28) SILENCER ADAPTER                       |                            | 1   |      |
| 8     | 0032       | 9331512     | HOSE (11-1/4")                                       |                            | 2   |      |
| 8     | 0032       | 1589418     | HOSE Breather (CORRUGATED)                           |                            | 2   |      |
| 9     | 0054       | 53101       | CLAMP VENT HOSE                                      |                            | 4   |      |
| 10    | 0000       | 97850       | ELBOW 90 Degree Breather - VENT HOSE TO ROCKER COVER |                            | 2   |      |
| 11    | 0025       | 52188       | GROMMET ROCKER COVER                                 |                            | 2   |      |
| 12    | 3304       | 9354A2      | CARBURETOR ASSEMBLY (ROCHESTER)                      |                            | 1   | [1]  |
| 13    | 0022       | 97282       | CONNECTOR CARBURETOR                                 |                            | 1   |      |
| 14    | 0016       | 91842       | STUD FLAME ARRESTOR                                  |                            | 1   |      |
| 15    | 0011       | 28941       | NUT JAM - FLAME ARRESTOR                             |                            | 1   |      |
| 16    | 0024       | 32817       | SPRING THROTTLE RETURN                               |                            | 1   |      |
| 17    | 0010       | 74822       | SCREW (.312-18 x 3.500) CARBURETOR                   |                            | 2   |      |
| 18    | 0016       | 46857       | STUD (5/16 x 1-7/8) CARBURETOR                       |                            | 2   |      |
| 19    | 0000       | 41329A3     | BRACKET THROTTLE CABLE                               |                            | 1   |      |
| 20    | 0012       | 20084       | WASHER (.328 x .562 x .062) THROTTLE CABLE           |                            | 4   |      |
| 21    | 0011       | 29250       | NUT (.312-24) CARBURETOR STUD                        |                            | 2   |      |
| 22    | 0016       | 38525       | STUD THROTTLE CABLE                                  |                            | 1   |      |
| 23    | 0012       | 24664       | WASHER (M4 x 20) THROTTLE CABLE STUD                 |                            | 2   |      |
| 24    | 0011       | 20586       | NUT (.250-28) THROTTLE CABLE STUD                    |                            | 1   |      |
| 25    | 0027       | 524572      | GASKET CARBURETOR TO INTAKE MANIFOLD                 |                            | 1   | [2]  |
| 26    | 0010       | 98509       | SCREW THROTTLE CABLE (1-1/8")                        | OLD DESIGN                 | 1   |      |
| 27    | 0012       | 20128       | WASHER THROTTLE CABLE SCREW                          | OLD DESIGN                 | 1   |      |
| 28    | 0023       | 57938       | BUSHING THROTTLE CABLE SCREW                         | OLD DESIGN                 | 1   |      |
| 29    | 0023       | 34948       | SPACER THROTTLE CABLE SCREW                          | OLD DESIGN                 | 1   |      |
| 30    | 0012       | 56681       | WASHER (.203 x .500 x .032) THROTTLE CABLE SCREW     | OLD DESIGN                 | 1   |      |
| 31    | 0011       | 20190       | NUT (#10-32) THROTTLE CABLE SCREW                    | OLD DESIGN                 | 1   |      |
| 32    | 0016       | 96112       | STUD (.250-28 x 2.00)                                | NEW DESIGN                 | 1   |      |

## CARBURETOR AND THROTTLE LINKAGE (205 - 4.3L/LX)

# CARBURETOR AND THROTTLE LINKAGE (205 - 4.3L/LX)



39269

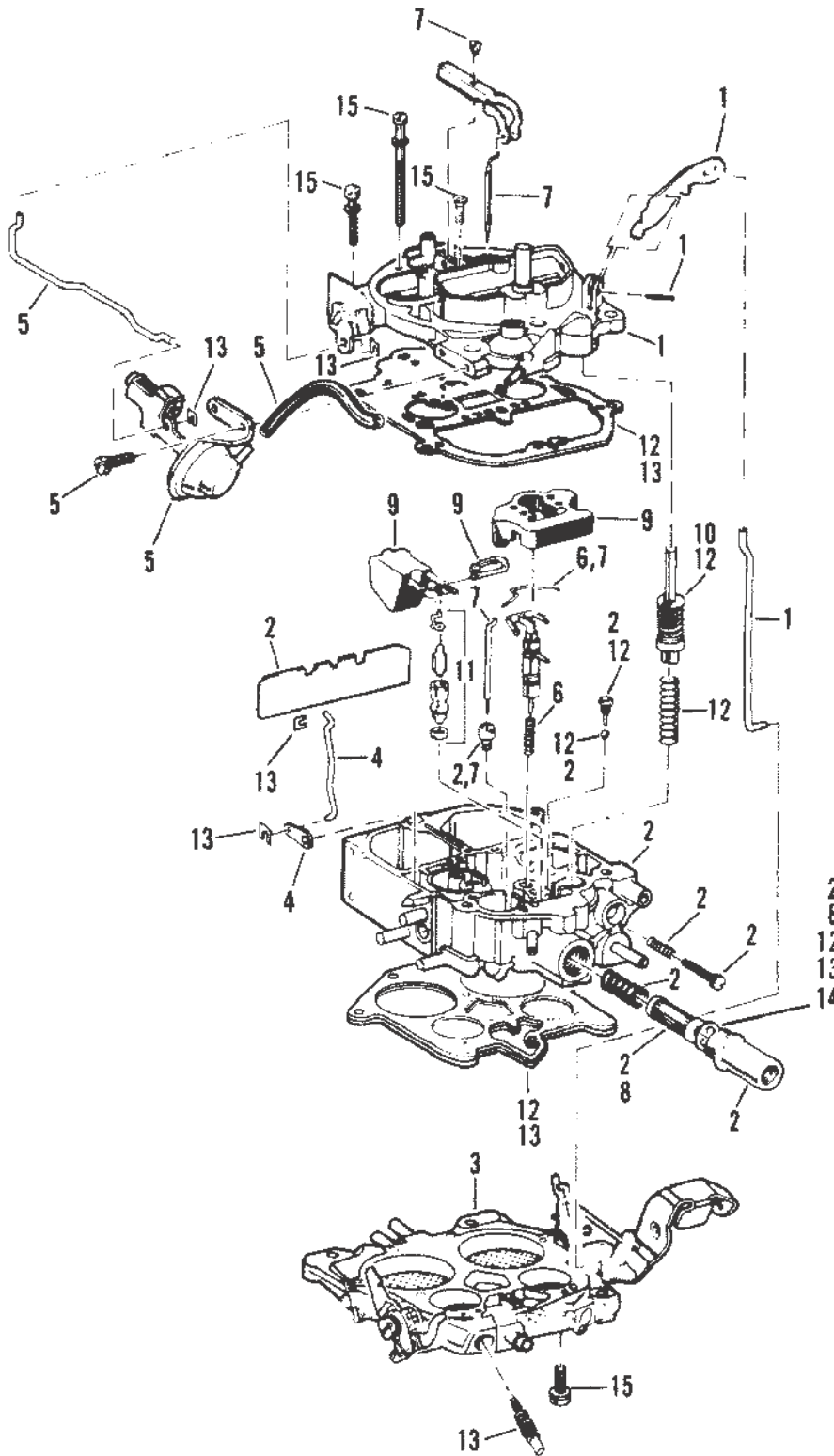
## CARBURETOR AND THROTTLE LINKAGE (205 - 4.3L/LX)

| Ref # | Part Class | Part Number | Description   | Comments   | Qty | Note |
|-------|------------|-------------|---|------------|-----|------|
| 33    | 0011       | 20586       | NUT (.250-28) THROTTLE CABLE STUD                               | NEW DESIGN | 1   |      |
| 34    | 0011       | 20361       | NUT (.250-28) THROTTLE CABLE STUD                               | NEW DESIGN | 1   |      |
| 35    | 0012       | 29245       | WASHER (.281 x .500 x .060) Stainless Steel THROTTLE CABLE STUD | NEW DESIGN | 2   |      |
| 36    | 0000       | 72625       | CHOKE AUTOMATIC - CARBURETOR                                    |            | 1   |      |
| 37    | 0000       | 66198       | COVER AUTOMATIC CHOKE   |            | 1   |      |
| 38    | 0010       | 59994       | SCREW (5/8) AUTOMATIC CHOKE THERMOSTAT                          |            | 1   |      |
| 39    | 0000       | 61112       | ROD CHOKE   |            | 1   |      |
| 40    | 0054       | 59989       | CLIP AUTOMATIC CHOKE ROD  |            | 1   |      |
| -     | 0027       | 11977A92    | GASKET SET  |            | 1   |      |

**PART NOTES:**

- [1] - Alternate part numbers:  
804623R02Reman  
9354A 2QS
- [2] - COMPONENT OF ENGINE/POWERHEAD GASKET SET 11977A92

# CARBURETOR (ROCHESTER)(205 - 4.3L/LX)



39270

**RESOURCE NOTES:**

**CARBURETOR (ROCHESTER)(205 - 4.3L/LX) 457--2.**  
Carter Carburetor Gasket Kit

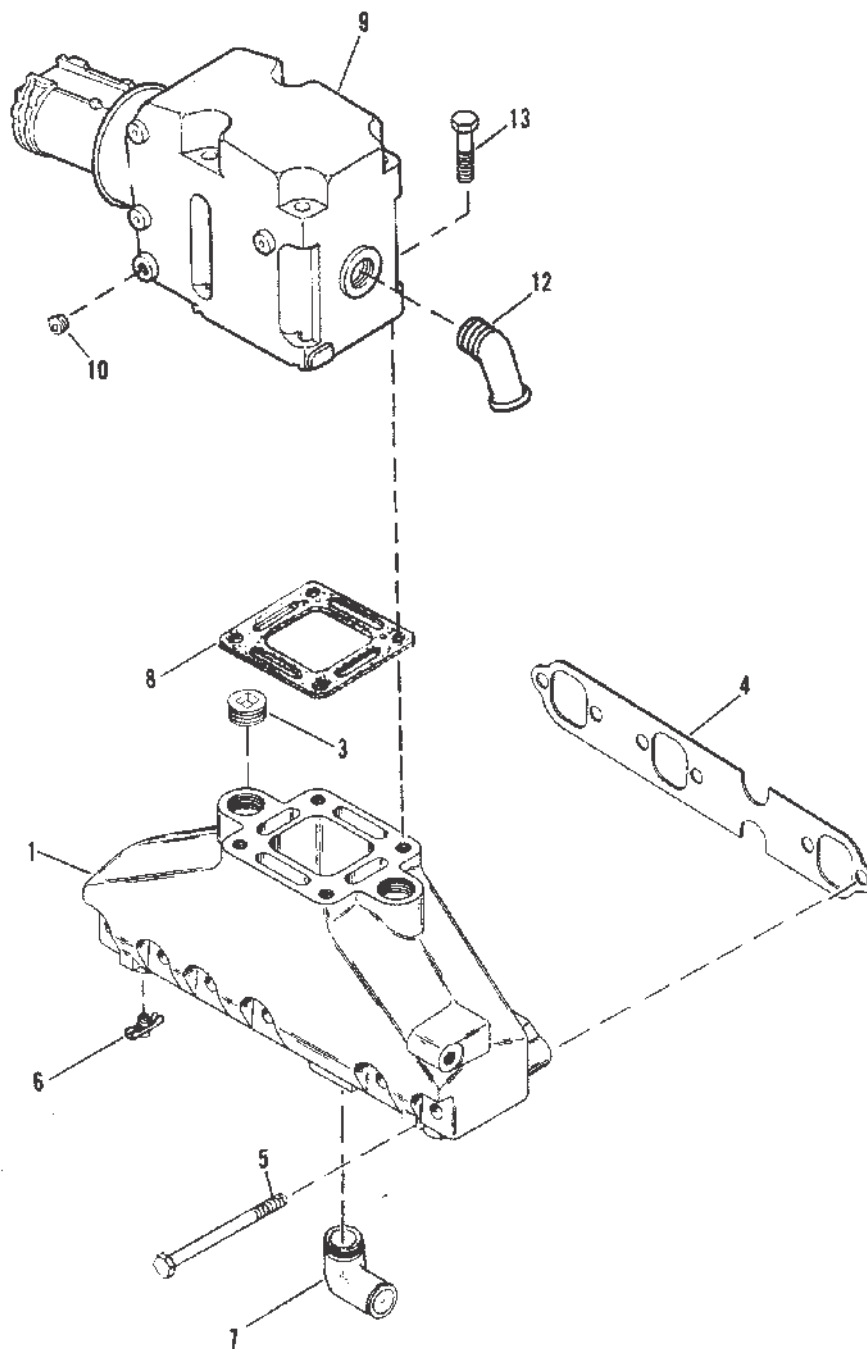
## CARBURETOR (ROCHESTER)(205 - 4.3L/LX)

| Ref # | Part Class | Part Number | Description                      | Comments | Qty | Note |
|-------|------------|-------------|----------------------------------|----------|-----|------|
| -     | 3304       | 9354A2      | CARBURETOR ASSEMBLY              |          | 1   | [1]  |
| 1     | 1397       | 9111        | AIR HORN KIT                     |          | 1   |      |
| 2     | 1397       | 9112        | FLOAT BOWL KIT                   |          | 1   |      |
| 3     | 1397       | 8540        | THROTTLE BODY KIT                |          | 1   |      |
| 4     | 1397       | 8541        | LINK/LEVER KIT Choke             |          | 1   |      |
| 5     | 1397       | 9113        | PRIMARY VACUUM KIT               |          | 1   |      |
| 6     | 1397       | 8957        | PISTON KIT                       |          | 1   |      |
| 7     | 1397       | 9438        | METERING JET AND ROD KIT         |          | 1   |      |
| 8     | 1397       | 8767        | FILTER KIT Fuel                  |          | 1   | [2]  |
| 9     | 1397       | 8546        | FLOAT KIT                        |          | 1   |      |
| 10    | 1397       | 9669        | PUMP KIT                         |          | 1   |      |
| 11    | 1397       | 8548        | NEEDLE/SEAT KIT                  |          | 1   |      |
| 12    | 1397       | 8535        | REPAIR KIT Carburetor            | SEE NOTE | 1   |      |
| 13    | 1397       | 9723        | GASKET KIT                       | SEE NOTE | 1   |      |
| 14    | 1397       | 8327        | GASKET INLET FUEL NUT            |          | 1   |      |
| 15    | 1397       | 8557        | SCREW KIT AIR HORN/THROTTLE BODY |          | 1   |      |
| -     | 0027       | 524572      | GASKET                           |          | 1   |      |

## PART NOTES:

- [1] - Alternate part numbers:  
804623R02Reman  
9354A 2QS
- [2] - Alternate part numbers:  
8767Service Part  
8767QQS  
8767TMPP

# EXHAUST MANIFOLD AND EXHAUST ELBOW



39271

## EXHAUST MANIFOLD AND EXHAUST ELBOW

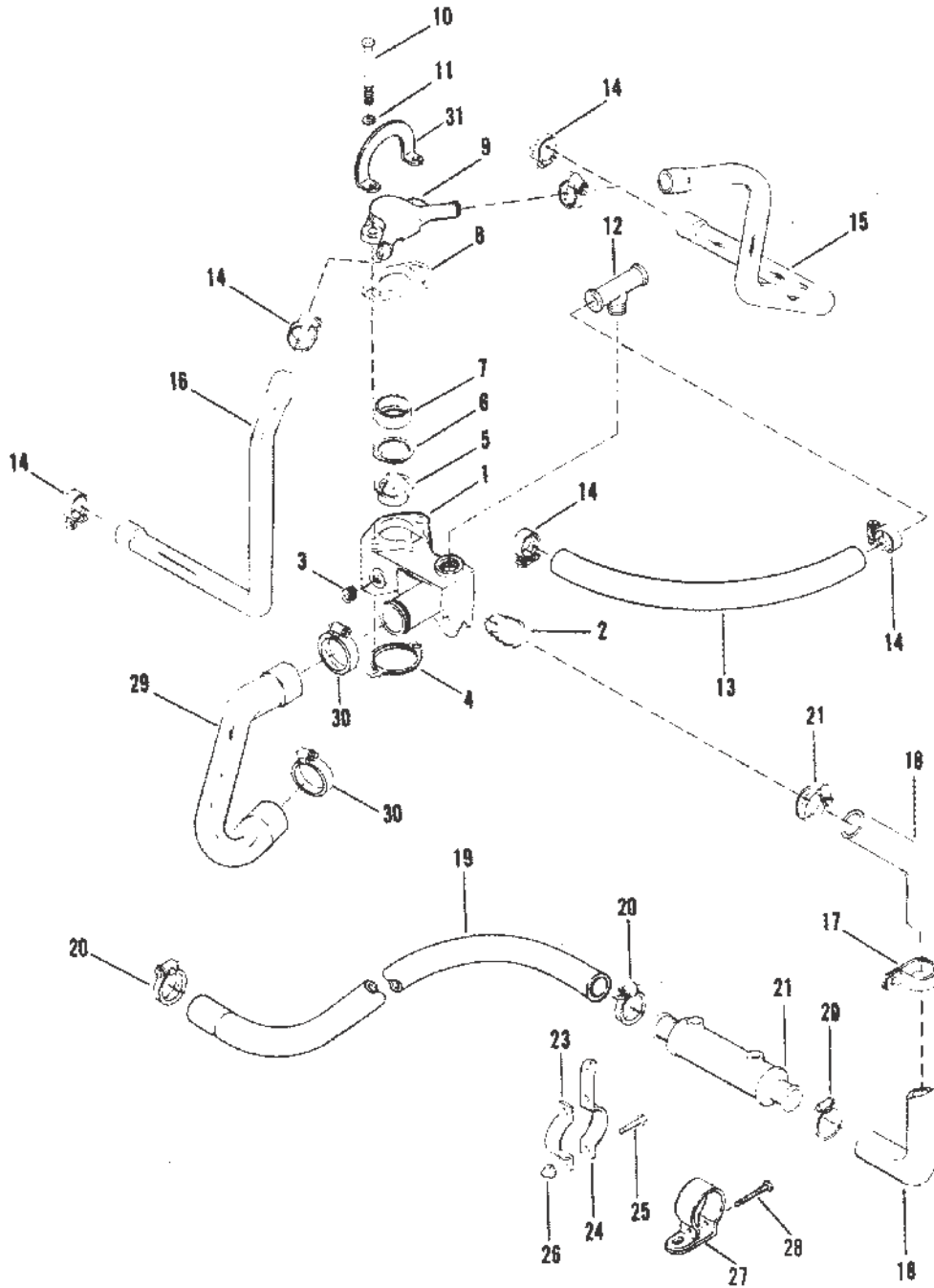
| Ref # | Part Class | Part Number | Description  | Comments                    | Qty | Note |
|-------|------------|-------------|--|-----------------------------|-----|------|
| 1     | 0000       | 99746A8     | MANIFOLD ASSEMBLY Exhaust                                    |                             | 2   |      |
| 3     | 0022       | 33198A1     | PLUG (3/4-14) EXHAUST MANIFOLD                               |                             | AR  |      |
| 4     | 0027       | 99757       | GASKET EXHAUST MANIFOLD TO CYLINDER HEAD                     |                             | 2   | [1]  |
| 5     | 0010       | 53728       | SCREW (.375-16 x 4.75) EXHAUST MANIFOLD                      |                             | 12  |      |
| 6     | 0022       | 16951A1     | COCK ASSEMBLY EXHAUST MANIFOLD                               |                             | 2   |      |
| 7     | 0022       | 36305       | ELBOW (90 Degrees) EXHAUST MANIFOLD                          | (90 DEGREES)                | 1   |      |
| 7     | 0022       | 92499       | FITTING (45 Degrees) EXHAUST MANIFOLD                        | (45 DEGREES)                | 1   |      |
| 8     | 0027       | 41813       | GASKET EXHAUST ELBOW   |                             | 2   | [1]  |
| 9     | 0000       | 44354A3     | ELBOW ASSEMBLY Exhaust (7 DEGREES -4" O.D.)                  |                             | 2   |      |
| 10    | 0022       | 36382       | FITTING (.250-18 x .62) Brass PIPE - EXHAUST ELBOW           |                             | 4   |      |
| 12    | 0022       | 92499       | FITTING (45 Degrees) EXHAUST ELBOW (45 DEGREES)              |                             | 2   |      |
| 13    | 0010       | 43749       | SCREW (.375-16 x 5.750) MANIFOLD                             |                             | 8   |      |
| -     | 0027       | 11977A92    | GASKET SET   |                             | 1   |      |
| -     | 0000       | 93322A3     | RISER KIT Exhaust Elbow (6 In.) (6" Exhaust Elbow Extension) | Each kit contains 2 risers. | 1   |      |
| -     | 0000       | 93320A3     | RISER KIT Exhaust Elbow (3 In.)                              | Each kit contains 2 risers. | 1   |      |

## PART NOTES:

[1] - COMPONENT OF ENGINE/POWERHEAD GASKET SET 11977A92



# STANDARD COOLING SYSTEM OLD DESIGN



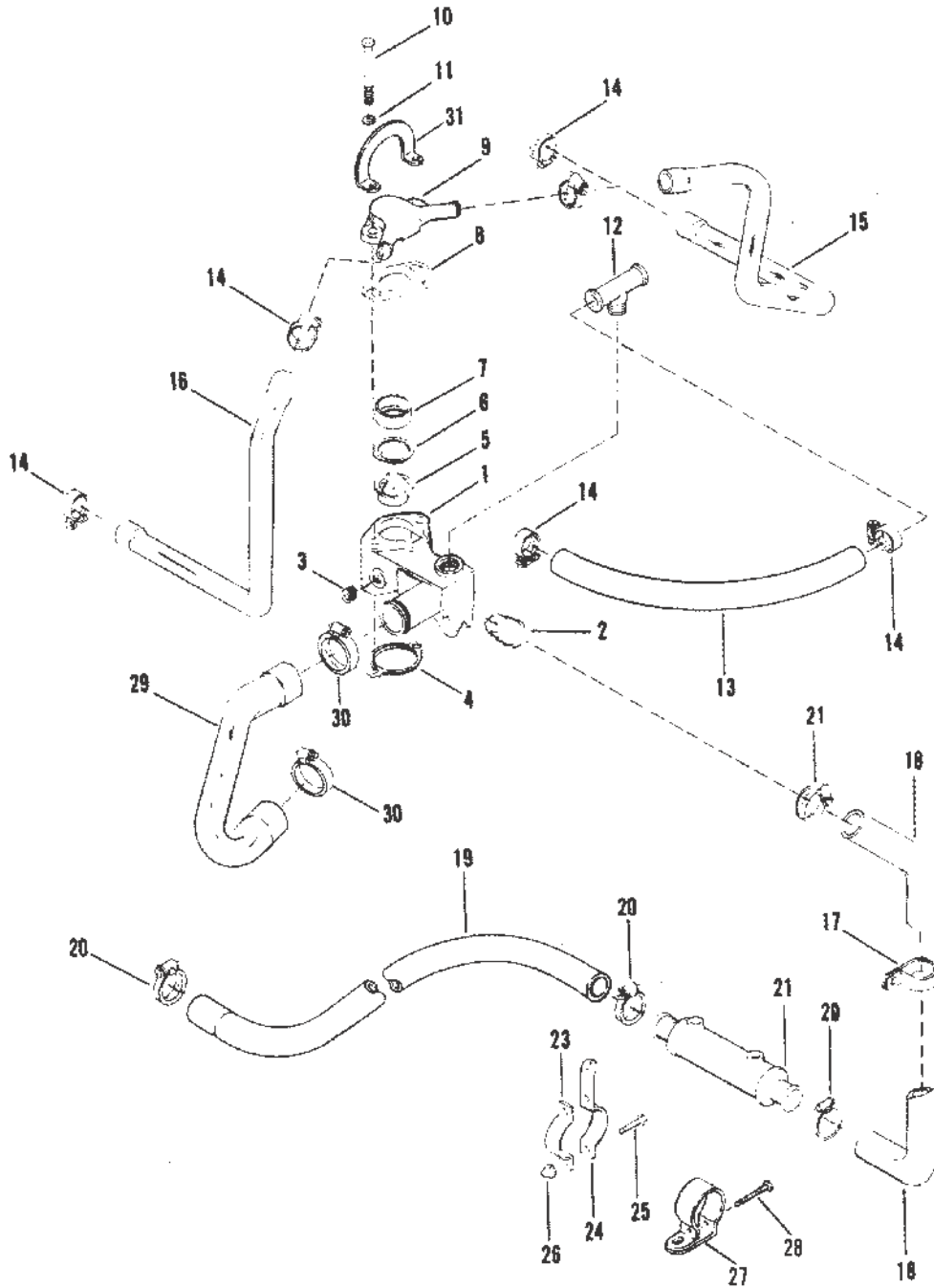
39272

## STANDARD COOLING SYSTEM OLD DESIGN

| Ref # | Part Class | Part Number | Description   | Comments        | Qty | Note |
|-------|------------|-------------|---|-----------------|-----|------|
| 1     | 0000       | 87290A4     | HOUSING ASSEMBLY  |                 | 1   |      |
| 2     | 0023       | 47511       | SLEEVE THERMOSTAT HOUSING                                 |                 | 1   |      |
| 3     | 0022       | 32803       | PLUG Pipe (.375-18) Brass                                 |                 | 2   |      |
| 4     | 0027       | 530451      | GASKET THERMOSTAT HOUSING                                 |                 | 1   | [1]  |
| 5     | 0000       | 59137       | THERMOSTAT (140 Degrees) (143 DEGREES)                    |                 | 1   |      |
| 6     | 0027       | 47510       | GASKET THERMOSTAT   |                 | 1   | [2]  |
| 7     | 0023       | 47508       | SLEEVE THERMOSTAT   |                 | 1   |      |
| 8     | 0027       | 41812       | GASKET THERMOSTAT COVER                                   |                 | 1   | [3]  |
| 9     | 0000       | 47441A1     | COVER THERMOSTAT  |                 | 1   |      |
| 10    | 0010       | 48130       | SCREW (.375-16 x 4.500) THERMOSTAT HOUSING                |                 | 2   |      |
| 11    | 0013       | 35048       | LOCKWASHER (.375) THERMOSTAT HOUSING SCREW                |                 | 2   |      |
| 12    | 0022       | 98477A2     | VALVE ASSEMBLY  |                 | 1   |      |
| 13    | 0032       | 3322070     | HOSE (48.00 Inches Bulk) TEE TO EXHAUST ELBOWS (17&quot;) |                 | 2   |      |
| 14    | 0054       | 32780       | CLAMP HOSE ATTACHING                                      |                 | 8   |      |
| 15    | 0032       | 16021       | HOSE THERMOSTAT COVER TO EXH. MANIFOLD (PORT)             |                 | 1   |      |
| 16    | 0032       | 41940       | HOSE THERMOSTAT COVER TO EXH. MANIFOLD (STARBOARD)        |                 | 1   |      |
| 17    | 0054       | 47715       | CLIP HOSE ATTACHING                                       |                 | 1   |      |
| 18    | 0032       | 88794       | HOSE THERMOSTAT HOUSING TO FLUID COOLER                   |                 | 1   |      |
| 19    | 0032       | 41642A3     | HOSE FLUID COOLER (3/4&quot; I.D.)                        |                 | 1   |      |
| 20    | 0054       | 32780       | CLAMP HOSE ATTACHING                                      |                 | 4   |      |
| 21    | 0000       | 99356A2     | COOLER ASSEMBLY POWER STEERING FLUID                      |                 | 1   |      |
| 23    | 0000       | 56328A1     | BRACKET FLUID COOLER (SHORT)                              | 2 PIECE BRACKET | 1   |      |
| 24    | 0000       | 638203      | BRACKET FLUID COOLER (LONG)                               | 2 PIECE BRACKET | 1   |      |
| 25    | 0010       | 60300       | SCREW (.250-28 x .750) FLUID COOLER BRACKET               | 2 PIECE BRACKET | 2   |      |
| 26    | 0011       | 30506       | NUT (.250-28)   | 2 PIECE BRACKET | 2   |      |
| 27    | 0000       | 65970       | BRACKET FLUID COOLER                                      | 1 PIECE BRACKET | 1   |      |
| 28    | 0010       | 41408       | SCREW (#10-32 x 1.50) CLAMPING                            | 1 PIECE BRACKET | 1   |      |
| 29    | 0032       | 87108       | HOSE Molded THERMOSTAT HOUSING TO WATER PUMP              |                 | 1   |      |
| 30    | 0054       | 87268       | CLAMP HOSE ATTACHING                                      |                 | 2   |      |
| 31    | 0000       | 12552       | LIFTING EYE   |                 | 1   |      |
| -     | 0027       | 11977A92    | GASKET SET  |                 | 1   |      |

STANDARD COOLING SYSTEM OLD DESIGN

# STANDARD COOLING SYSTEM OLD DESIGN



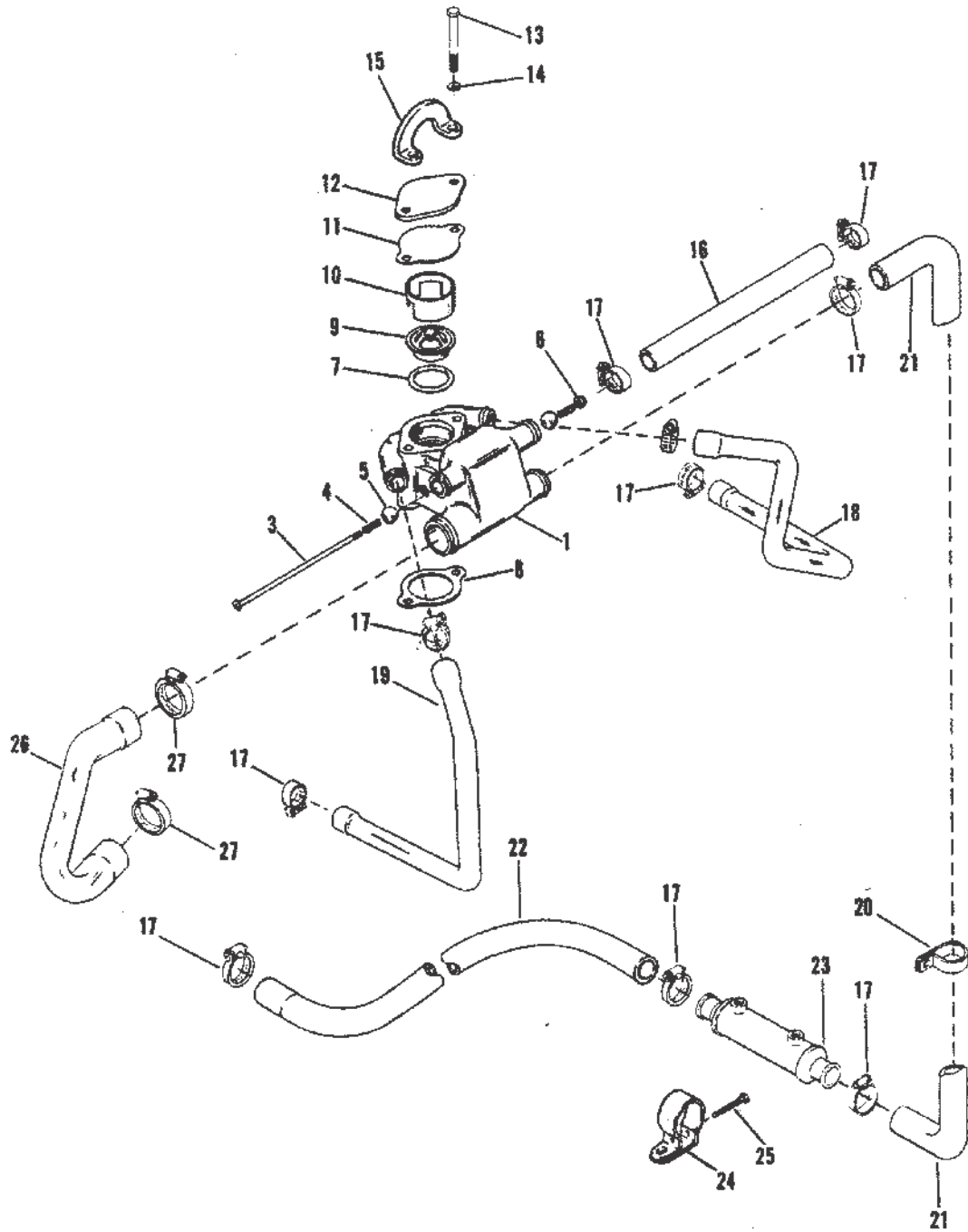
39272

## STANDARD COOLING SYSTEM OLD DESIGN

**PART NOTES:**

- [1] - Alternate part numbers:
  - 53045 1Service Part
  - 53045Q01QS  
COMPONENT OF ENGINE/POWERHEAD GASKET SET 11977A92
- [2] - Alternate part numbers:
  - 47510Service Part
  - 47510QQS  
COMPONENT OF ENGINE/POWERHEAD GASKET SET 11977A92
- [3] - Alternate part numbers:
  - 41812Service Part
  - 41812BBulk Pack
  - 41812QQS  
COMPONENT OF ENGINE/POWERHEAD GASKET SET 11977A92

# STANDARD COOLING SYSTEM NEW DESIGN



39273

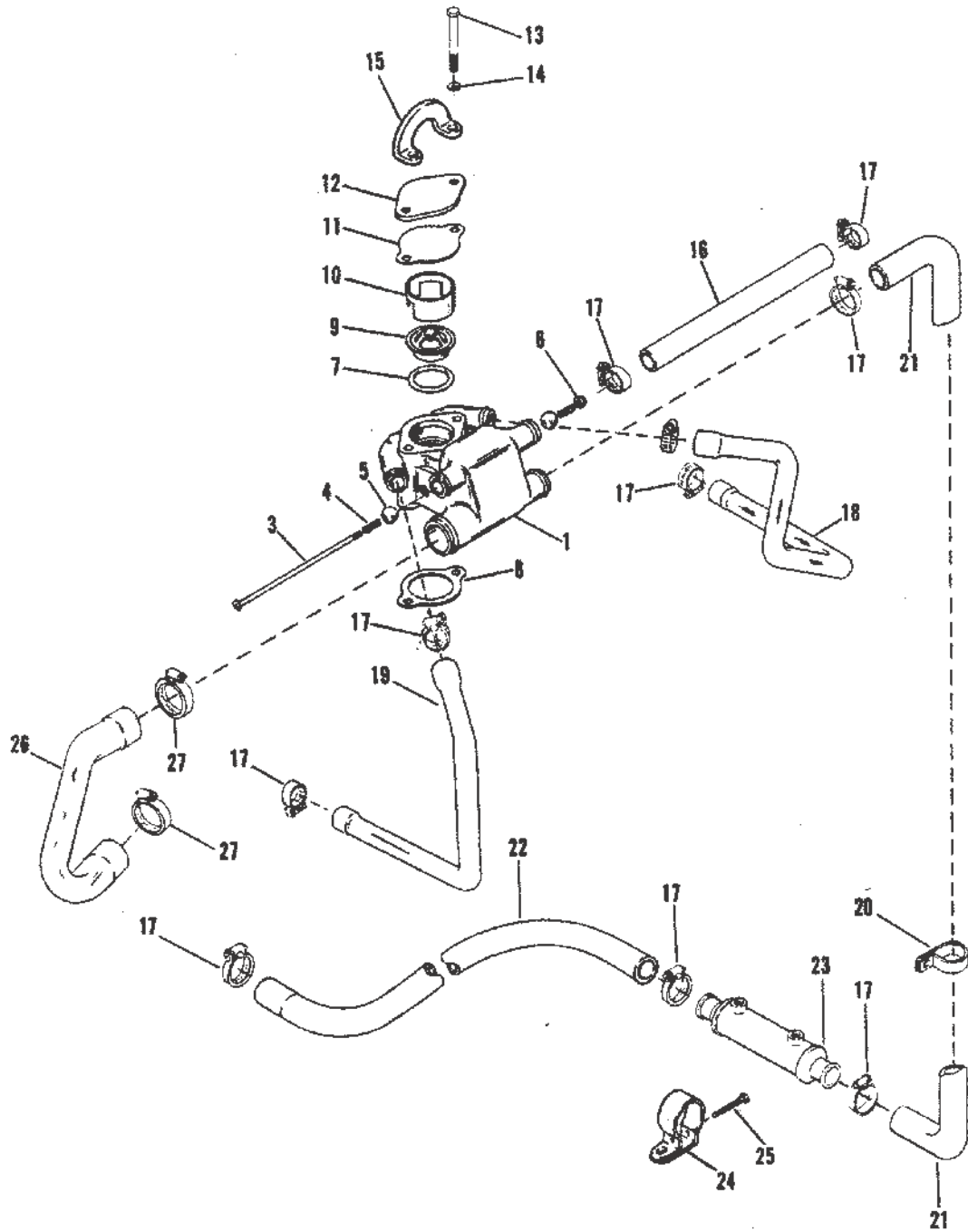
## STANDARD COOLING SYSTEM NEW DESIGN

| Ref # | Part Class | Part Number | Description   | Comments | Qty | Note |
|-------|------------|-------------|---|----------|-----|------|
| 1     | 0000       | 16413A3     | HOUSING ASSEMBLY Thermostat                           |          | 1   |      |
| 2     | 0022       | 32803       | PLUG Pipe (.375-18) Brass                             |          | 1   |      |
| 3     | 0010       | 17989       | SCREW (#10-32 x 8.600)                                |          | 1   |      |
| 4     | 0024       | 75533       | SPRING  |          | 2   |      |
| 5     | 0030       | 98475       | BALL Nylon  |          | 2   |      |
| 6     | 0011       | 29488       | NUT (#10-32)  |          | 1   |      |
| 7     | 0025       | 30224       | O-RING (1.859 x .139)                                 |          | 1   | [1]  |
| 8     | 0027       | 530451      | GASKET THERMOSTAT HOUSING                             |          | 1   | [2]  |
| 9     | 0000       | 59137       | THERMOSTAT (140 Degrees) (143 DEGREES)                |          | 1   |      |
| 10    | 0023       | 17495       | SLEEVE THERMOSTAT                                     |          | 1   |      |
| 11    | 0027       | 331792      | GASKET THERMOSTAT COVER                               |          | 1   | [3]  |
| 12    | 0000       | 17494A1     | COVER KIT THERMOSTAT                                  |          | 1   |      |
| 13    | 0010       | 60410       | SCREW (.375-16 x 4.250) THERMOSTAT HOUSING            |          | 2   |      |
| 14    | 0013       | 35048       | LOCKWASHER (.375) THERMOSTAT HOUSING SCREW            |          | 2   |      |
| 15    | 0000       | 12552       | LIFTING EYE   |          | 1   |      |
| 16    | 0032       | 3322070     | HOSE (48.00 Inches Bulk) TEE TO EXHAUST ELBOWS        |          | 2   |      |
| 17    | 0054       | 32780       | CLAMP HOSE ATTACHING                                  |          | 8   |      |
| 18    | 0032       | 16021       | HOSE THERMOSTAT COVER TO EXHAUST MANIFOLD (PORT)      |          | 1   |      |
| 19    | 0032       | 18810       | HOSE THERMOSTAT COVER TO EXHAUST MANIFOLD (STARBOARD) |          | 1   |      |
| 20    | 0054       | 47715       | CLIP HOSE ATTACHING                                   |          | 1   |      |
| 21    | 0032       | 16012       | HOSE THERMOSTAT HOUSING TO FLUID COOLER               |          | 1   |      |
| 22    | 0032       | 41642A3     | HOSE FLUID COOLER (3/4" I.D.)                         |          | 1   |      |
| 23    | 0000       | 99356A2     | COOLER ASSEMBLY POWER STEERING FLUID                  |          | 1   |      |
| 24    | 0000       | 65970       | BRACKET FLUID COOLER                                  |          | 1   |      |
| 25    | 0010       | 41408       | SCREW (#10-32 x 1.50) CLAMPING                        |          | 1   |      |
| 26    | 0032       | 87108       | HOSE Molded THERMOSTAT HOUSING TO WATER PUMP          |          | 1   |      |
| 27    | 0054       | 87268       | CLAMP HOSE ATTACHING                                  |          | 2   |      |
| -     | 0027       | 11977A92    | GASKET SET  |          | 1   |      |

## PART NOTES:

- [1] - Alternate part numbers:  
30224Service Part  
30224QQS  
COMPONENT OF ENGINE/POWERHEAD GASKET SET 11977A92

# STANDARD COOLING SYSTEM NEW DESIGN



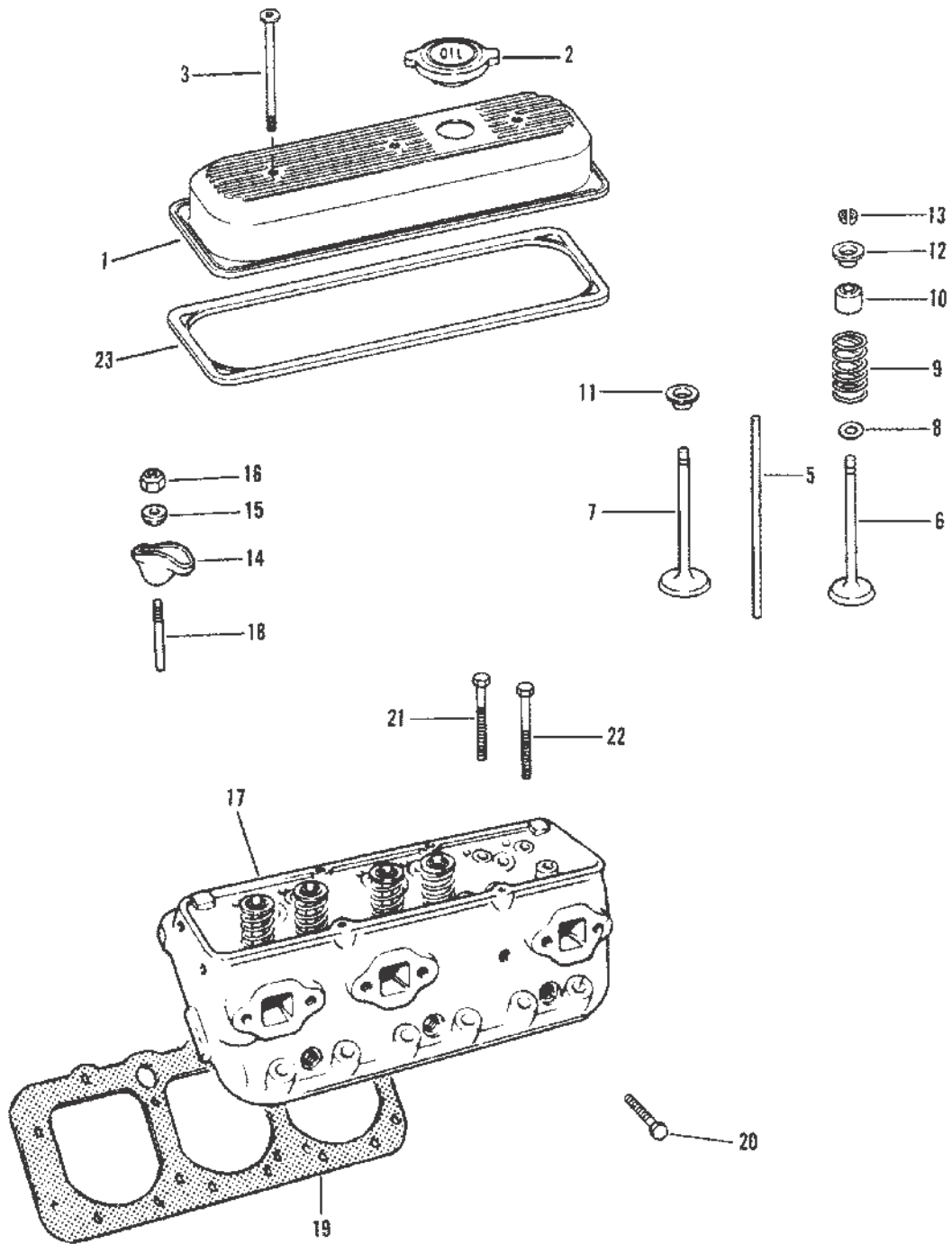
39273

## STANDARD COOLING SYSTEM NEW DESIGN

- [2] - Alternate part numbers:
  - 53045 1Service Part
  - 53045Q01QS
  - COMPONENT OF ENGINE/POWERHEAD GASKET SET 11977A92
- [3] - Alternate part numbers:
  - 33179 2Service Part
  - 33179Q02QS
  - COMPONENT OF ENGINE/POWERHEAD GASKET SET 11977A92



# CYLINDER HEAD AND ROCKER COVER



39274

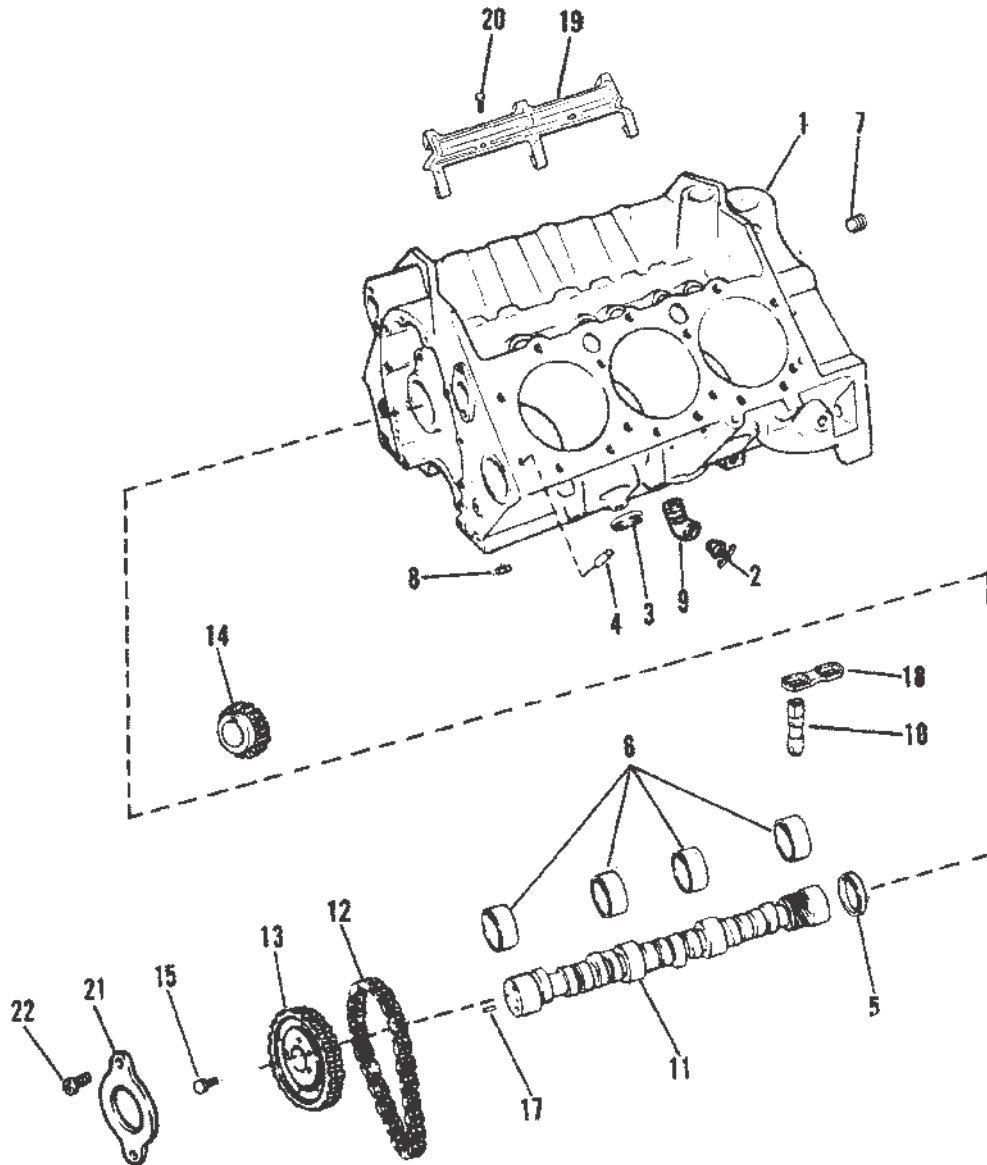
## CYLINDER HEAD AND ROCKER COVER

| Ref # | Part Class | Part Number | Description  | Comments                | Qty | Note |
|-------|------------|-------------|--|-------------------------|-----|------|
| 1     | 0000       | 14252       | ROCKER COVER   | (RIGHT)                 | 1   |      |
| 1     | 0000       | 14251       | ROCKER COVER   | (LEFT) - CLAMP TYPE CAP | 1   |      |
| 1     | 0000       | 814504      | ROCKER COVER   | (LEFT) - SCREW TYPE CAP | 1   |      |
| 2     | 0000       | 17345       | CAP OIL FILLER   | CLAMP TYPE CAP          | 1   |      |
| 2     | 0036       | 18710       | CAP Metal Rocker Cover OIL FILLER                      | SCREW TYPE CAP          | 1   |      |
| 3     | 0010       | 17344       | SCREW ROCKER COVER                                     |                         | 6   |      |
| 5     | 0000       | 17339       | PUSH ROD VALVE PUSH (DOUBLE BALL END)                  |                         | 12  |      |
| 6     | 0000       | 85803       | VALVE EXHAUST  | (STANDARD)              | 6   |      |
| 6     | 0000       | 49076       | VALVE EXHAUST  | (.015 O.S.)             | AR  |      |
| 7     | 0000       | 97661       | VALVE Intake-Standard INLET                            | (STANDARD)              | 6   |      |
| 7     | 0000       | 97662       | VALVE INLET  | (.015 O.S.)             | AR  |      |
| 8     | 0026       | 34217       | SEAL VALVE   | (INLET AND EXHAUST)     | 12  | [1]  |
| 8     | 0026       | 97664       | SEAL VALVE   | (INLET)                 | 6   | [1]  |
| 9     | 0024       | 48347       | SPRING VALVE (INLET AND EXHAUST)                       |                         | 12  |      |
| 10    | 0000       | 34518       | SHIELD VALVE SPRING CAP                                |                         | 12  |      |
| 11    | 0000       | 48348       | CAP INLET VALVE  |                         | 6   |      |
| 12    | 0000       | 11965       | ROTATOR VALVE SPRING - EXHAUST VALVE                   |                         | 6   |      |
| 13    | 0028       | 54797       | KEY VALVE STEM   |                         | 24  |      |
| 14    | 0000       | 35329       | ARM KIT Rocker   |                         | 12  |      |
| 15    | 0000       | 35331       | BALL Rocker Arm  |                         | 12  |      |
| 16    | 0011       | 34516       | NUT ROCKER VALVE ARM STUD                              |                         | 12  |      |
| 17    | 0938       | 9427        | CYLINDER HEAD  |                         | 2   |      |
| 18    | 0016       | 34522       | STUD ROCKER VALVE ARM                                  | (.003 O.S.)             | AR  |      |
| 18    | 0016       | 34521       | STUD ROCKER VALVE ARM                                  | (.013 O.S.)             | AR  |      |
| 19    | 0027       | 816460      | GASKET CYLINDER HEAD                                   |                         | 2   | [1]  |
| 20    | 0010       | 11968       | SCREW (.437-14 x 1.750)                                |                         | 12  |      |
| 21    | 0010       | 11967       | BOLT (3 In.) CYLINDER HEAD TO CYLINDER BLOCK (3&quot;) |                         | 4   |      |
| 22    | 0010       | 11966       | SCREW (.437-14 x 3.750)                                |                         | 10  |      |
| 23    | 0027       | 11988       | GASKET Metal Rocker Cover                              |                         | 2   | [1]  |
| -     | 0027       | 11977A92    | GASKET SET   |                         | 1   |      |

## PART NOTES:

[1] - COMPONENT OF ENGINE/POWERHEAD GASKET SET 11977A92

# CYLINDER BLOCK AND CAMSHAFT



39275

## CYLINDER BLOCK AND CAMSHAFT

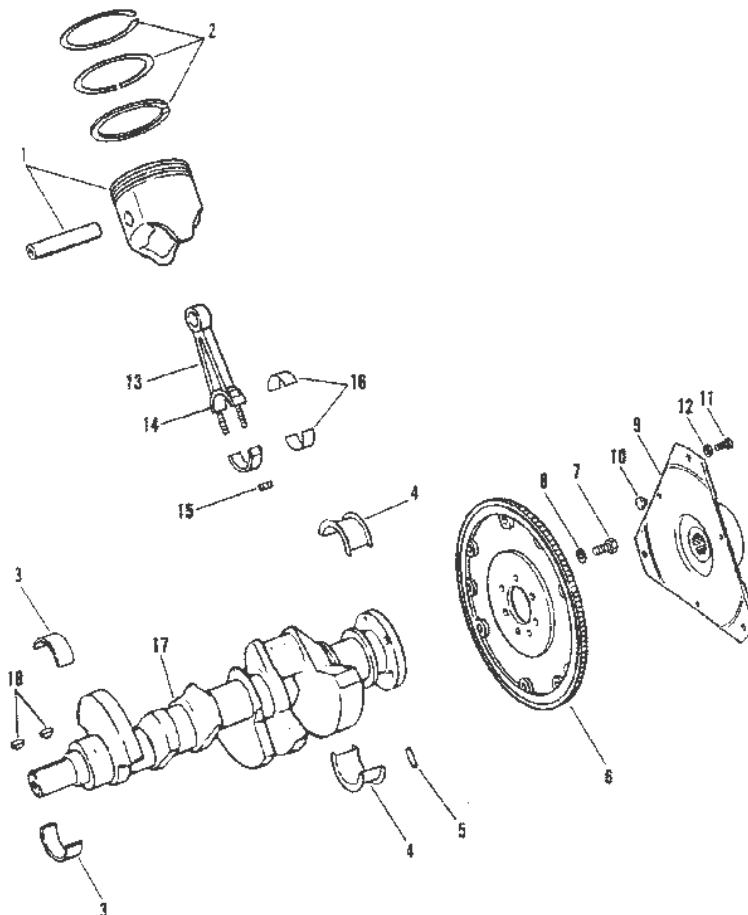
| Ref # | Part Class | Part Number | Description                                 | Comments  | Qty | Note |
|-------|------------|-------------|---|---|-----|------|
| 1     | 0841       | 9690        | CYLINDER BLOCK                              | (Includes only standard pistons, piston rings, crankshaft bearings and camshaft bearing.)   | 1   | [1]  |
| 2     | 0022       | 16951A1     | COCK ASSEMBLY (OLD DESIGN)                  |   | 2   |      |
| -     | 0022       | 48556       | BUSHING Reducer (.250 To .125) (NEW DESIGN) |   | 2   |      |
| -     | 0022       | 32802       | PLUG Pipe (.125-27) (NEW DESIGN)            |   | 2   |      |
| 3     | 0019       | 34270       | EXPANSION PLUG (1.625) Expansion            |   | 8   |      |
| 3     | 0019       | 816565      | PLUG Cup (.468)                             |   | 1   |      |
| 4     | 0017       | 35465       | PIN Dowel (.312)                            |   | 4   |      |
| 5     | 0022       | 72640       | PLUG Expansion                              |   | 1   |      |
| 6     | 0023       | 801797      | BEARING (SET)                               |   | 1   |      |
| 7     | 0022       | 48340       | PLUG (.250-18 x .41)                        |   | 5   |      |
| 8     | 0022       | 42796       | VALVE Oil Filter Bypass                     |   | 1   |      |
| 9     | 0022       | 37682       | FITTING Elbow (45 Degree)                   |   | 1   |      |
| 10    | 0000       | 17340       | LIFTER                                      |   | 12  |      |
| 11    | 0431       | 9691        | CAMSHAFT                                    |   | 1   |      |
| 12    | 0000       | 17161       | CHAIN Timing                                |   | 1   |      |
| 13    | 0043       | 18708       | SPROCKET CAMSHAFT                           |   | 1   |      |
| 14    | 0043       | 17160       | SPROCKET CRANKSHAFT                         |   | 1   |      |
| 15    | 0010       | 35339       | SCREW (.312-18 x .750)                      |   | 3   |      |
| 17    | 0017       | 35312       | PIN Dowel (1/4 In. Diameter)                |   | 1   |      |
| 18    | 0000       | 17341       | GUIDE Lifter                                |   | 6   |      |
| 19    | 0000       | 17342       | RETAINER                                    |   | 1   |      |
| 20    | 0010       | 34500       | SCREW (.312-18 x .625)                      |   | 2   |      |
| 21    | 0000       | 17348       | RETAINER                                    |   | 1   |      |
| 22    | 0010       | 17343       | SCREW (.250-20 x .500)                      |   | 2   |      |
| -     | 0000       | 14149A1     | MARINE LONG BLOCK ENGINE                    | (Includes internal parts & cylinder heads, but does not include: a) Intake Manifold, b) Water Pump, c) Flywheel, & d) Harmonic Balancer.) | 1   | [2]  |
| -     | 0027       | 11977A92    | GASKET SET                                  |   | 1   |      |

## PART NOTES:

- [1] - Alternate part numbers:  
14149R 5Reman  
14149R50Reman Int'l  
9690QS
- [2] - Alternate part numbers:  
14149A 1QS  
14149R 5Reman  
14149R50Reman Int'l

## CYLINDER BLOCK AND CAMSHAFT

# CRANKSHAFT AND PISTONS



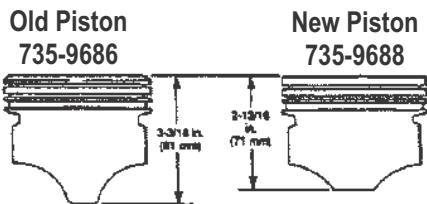
**Change**

The latest replacement standard pistons (P/N 735-9686) for these engines use a different set of piston rings. The latest pistons's oil ring groove is not as deep as the older piston.

**Replacement Parts**

The latest replacement piston will be shipped with a set of piston rings.

If piston rings only are required, refer to the drawings before ordering replacement piston ring sets from the chart.



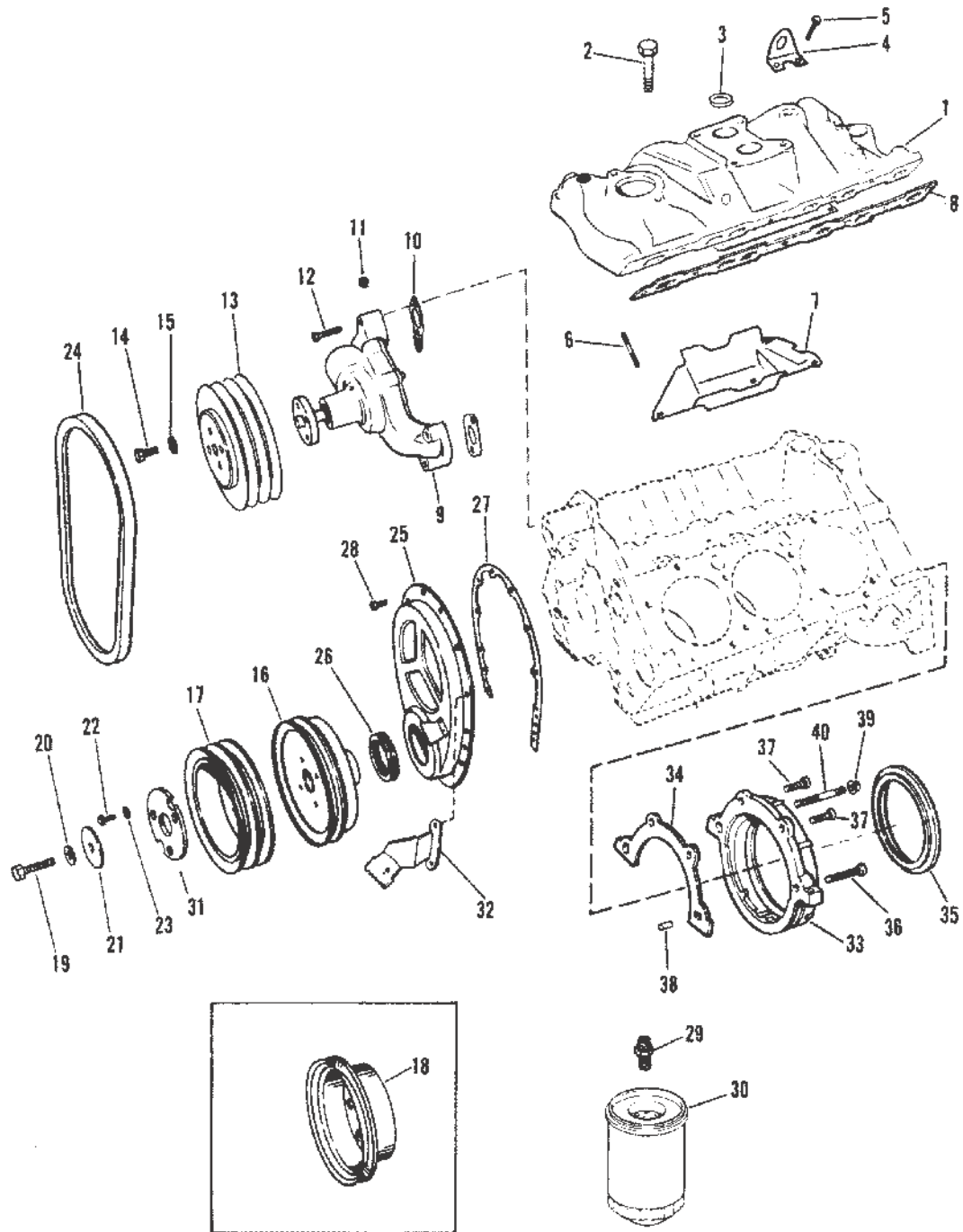
| Model | Old Piston<br>P/N 735-9686<br>Ring Set | New Piston<br>P/N 735-9686<br>Ring Set |
|-------|--|--|
| 4.0L  | 39-17464                               | 39-801851                              |

39276

## CRANKSHAFT AND PISTONS

| Ref # | Part Class | Part Number | Description                  | Comments             | Qty | Note |
|-------|------------|-------------|------------------------------|----------------------|-----|------|
| 1     | 0735       | 9686        | PISTON ASSEMBLY              | (STANDARD)           | 6   |      |
| 1     | 0735       | 9687        | PISTON ASSEMBLY              | (.030 O.S.)          | AR  |      |
| 2     | 0039       | 17464       | RING SET Piston (Standard)   |                      | 6   |      |
| 2     | 0039       | 17465       | RING Piston                  | (.030 O.S.)          | AR  |      |
| 3/4   | 0023       | 818465      | BEARING SET 5 Pair           | (STANDARD)           | 1   |      |
| 3/4   | 0023       | 818466      | BEARING SET 5 Pair           | (.001 USA)           | AR  |      |
| 3/4   | 0023       | 818467      | BEARING SET 5 Pair           | (.010 USA)           | AR  |      |
| 3/4   | 0023       | 818468      | BEARING SET 5 Pair           | (.020 USA)           | AR  |      |
| 5     | 0017       | 35312       | PIN Dowel (1/4 In. Diameter) |                      | 2   |      |
| 6     | 0222       | 9518        | FLYWHEEL                     |                      | 1   |      |
| 7     | 0010       | 49845       | SCREW (.437-20 x 1.00)       |                      | 6   |      |
| 8     | 0013       | 39131       | LOCKWASHER (.437)            |                      | 6   |      |
| 9     | 0000       | 18643A2     | COUPLING ASSEMBLY            |                      | 1   |      |
| 10    | 0000       | 26901       | BUMPER                       |                      | 3   |      |
| 10    | 0000       | 18644       | BUMPER Rubber                | (USE W/FLUID MOUNTS) | 3   |      |
| 11    | 0010       | 14883       | SCREW (.375-16 x 1.12)       |                      | 3   |      |
| 12    | 0012       | 13510       | WASHER                       |                      | 3   |      |
| 13    | 0614       | 9429        | CONNECTING ROD ASSEMBLY      |                      | 6   |      |
| 14    | 0010       | 11969       | BOLT                         |                      | 12  |      |
| 15    | 0011       | 37493       | NUT (.375-24)                |                      | 12  |      |
| 16    | 0023       | 11992       | BEARING                      | (STANDARD - PAIR)    | 6   |      |
| 16    | 0023       | 11993       | BEARING                      | (.001 USA - PAIR)    | AR  |      |
| 16    | 0023       | 811858      | BEARING                      | (.010 USA - PAIR)    | AR  |      |
| 16    | 0023       | 811859      | BEARING                      | (.020 USA - PAIR)    | AR  |      |
| 17    | 0429       | 9517        | CRANKSHAFT                   |                      | 1   |      |
| 18    | 0028       | 34466       | KEY                          | (OLD DESIGN)         | 2   |      |
| 18    | 0028       | 818485      | KEY                          | (NEW DESIGN)         | 1   |      |

# INTAKE MANIFOLD AND FRONT COVER OLD DESIGN



39277

**RESOURCE NOTES:**

Note: Order replacement parts from this page if CRANKSHAFT PULLEY (Reference #17) is stamped and shown as illustrated.

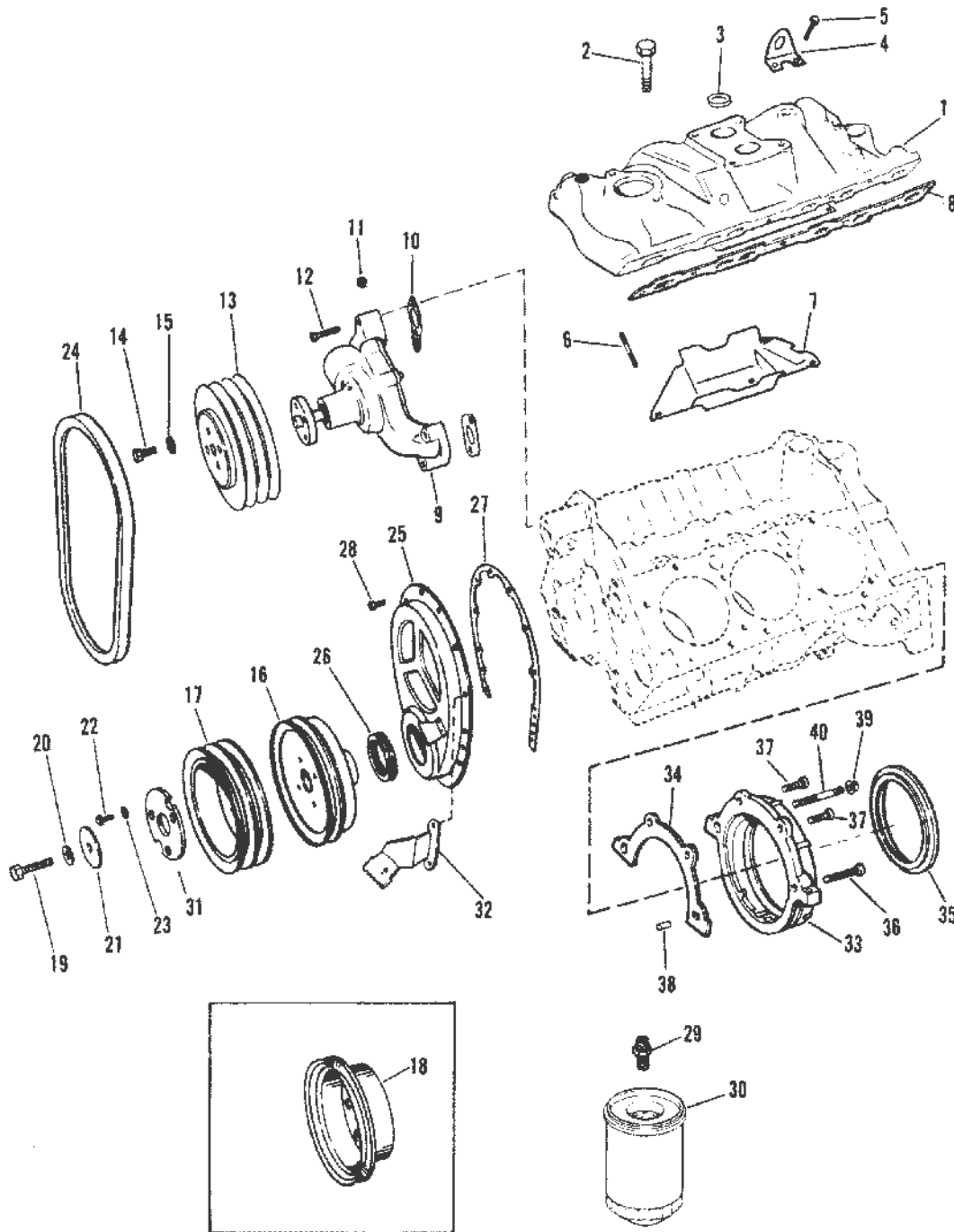
## INTAKE MANIFOLD AND FRONT COVER OLD DESIGN

| Ref # | Part Class | Part Number | Description  | Comments        | Qty | Note |
|-------|------------|-------------|--|-----------------|-----|------|
| 1     | 0000       | 11974       | MANIFOLD Intake  | (175 - 4.3L)    | 1   |      |
| 1     | 0000       | 42752       | MANIFOLD Intake  | (205 - 4.3L/LX) | 1   |      |
| 2     | 0010       | 11976       | SCREW (.375-16 x 1.00) INTAKE MANIFOLD                             |                 | 8   |      |
| 2     | 0010       | 11975       | BOLT (3/8-16 x 1.25) INTAKE MANIFOLD                               |                 | 4   |      |
| 3     | 0022       | 75983       | PLUG VACUUM HOLE   |                 | 1   |      |
| 4     | 0000       | 42453       | BRACKET LIFTING  | (FRONT)         | 1   |      |
| 4     | 0000       | 42745       | BRACKET LIFTING  | (REAR)          | 1   |      |
| 5     | 0010       | 34354       | SCREW (.375-16 x 1.50) LIFTING BRACKET                             |                 | 1   |      |
| 6     |            | N.S.S.      | Not Sold Separate STUD, GUARD TO INTAKE MANIFOLD (GM #3959544)     |                 | 4   |      |
| 7     | 0000       | 42753       | GUARD INTAKE MANIFOLD  |                 | 1   |      |
| 8     | 0027       | 11977       | GASKET SET INTAKE MANIFOLD   |                 | 1   | [1]  |
| 9     | 0000       | 17437       | PUMP ASSEMBLY Water  |                 | 1   | [2]  |
| 10    | 0027       | 34897       | GASKET WATER PUMP MOUNTING   |                 | 2   | [1]  |
| 11    | 0022       | 48336       | PLUG Water Pump  |                 | 1   |      |
| 12    | 0010       | 32132       | SCREW (.375-16 x 1.750)  |                 | 1   |      |
| 12    | 0010       | 47688       | SCREW (.375-16 x 2.750)  |                 | 1   |      |
| 12    | 0010       | 52200       | SCREW (1.625 In.) WATER PUMP TO CYLINDER BLOCK (1-1/2")            |                 | 1   |      |
| 12    |            | N.S.S.      | Not Sold Separate STUD, WATER PUMP TO CYLINDER BLOCK (GM #3759755) |                 | 1   |      |
| 13    | 0000       | 15120T      | PULLEY (5.5 In. Diameter) WATER PUMP (3 GROOVE)                    |                 | 1   |      |
| 14    | 0010       | 47277       | SCREW (.312-24 x .750) PULLEY TO WATER PUMP                        |                 | 4   |      |
| 15    | 0013       | 39107       | LOCKWASHER (.312-24) WATER PUMP PULLEY SCREW                       |                 | 4   |      |
| 16    | 0000       | 11990       | BALANCER HARMONIC - CRANKSHAFT                                     |                 | 1   |      |
| 17    | 0000       | 33863       | PULLEY HARMONIC BALANCER (2 GROOVE)                                |                 | 1   |      |
| 18    | 0000       | 90841A1     | PULLEY (1 GROOVE)  |                 | 1   |      |
| 19    | 0010       | 72626       | BOLT (2 In.) PULLEY AND HARMONIC BALANCER (2")                     |                 | 1   |      |
| 20    | 0013       | 39131       | LOCKWASHER (.437) PULLEY AND HARMONIC BALANCER BOLT                |                 | 1   |      |
| 21    | 0012       | 35332       | WASHER PULLEY AND HARMONIC BALANCER BOLT                           |                 | 1   |      |
| 22    | 0010       | 35786       | SCREW (.375-24 x 1.00) PULLEY                                      |                 | 3   |      |
| 23    | 0013       | 35048       | LOCKWASHER (.375) PULLEY BOLT                                      |                 | 3   |      |
| 24    | 0057       | 49213A1     | BELT (44 Inch) ALTERNATOR DRIVE (44")                              |                 | 1   |      |
| 25    | 0000       | 14249A2     | COVER CRANKCASE FRONT  |                 | 1   |      |
| 26    | 0026       | 97335       | SEAL Oil - COVER   |                 | 1   | [1]  |

## INTAKE MANIFOLD AND FRONT COVER OLD DESIGN



# INTAKE MANIFOLD AND FRONT COVER OLD DESIGN



39277

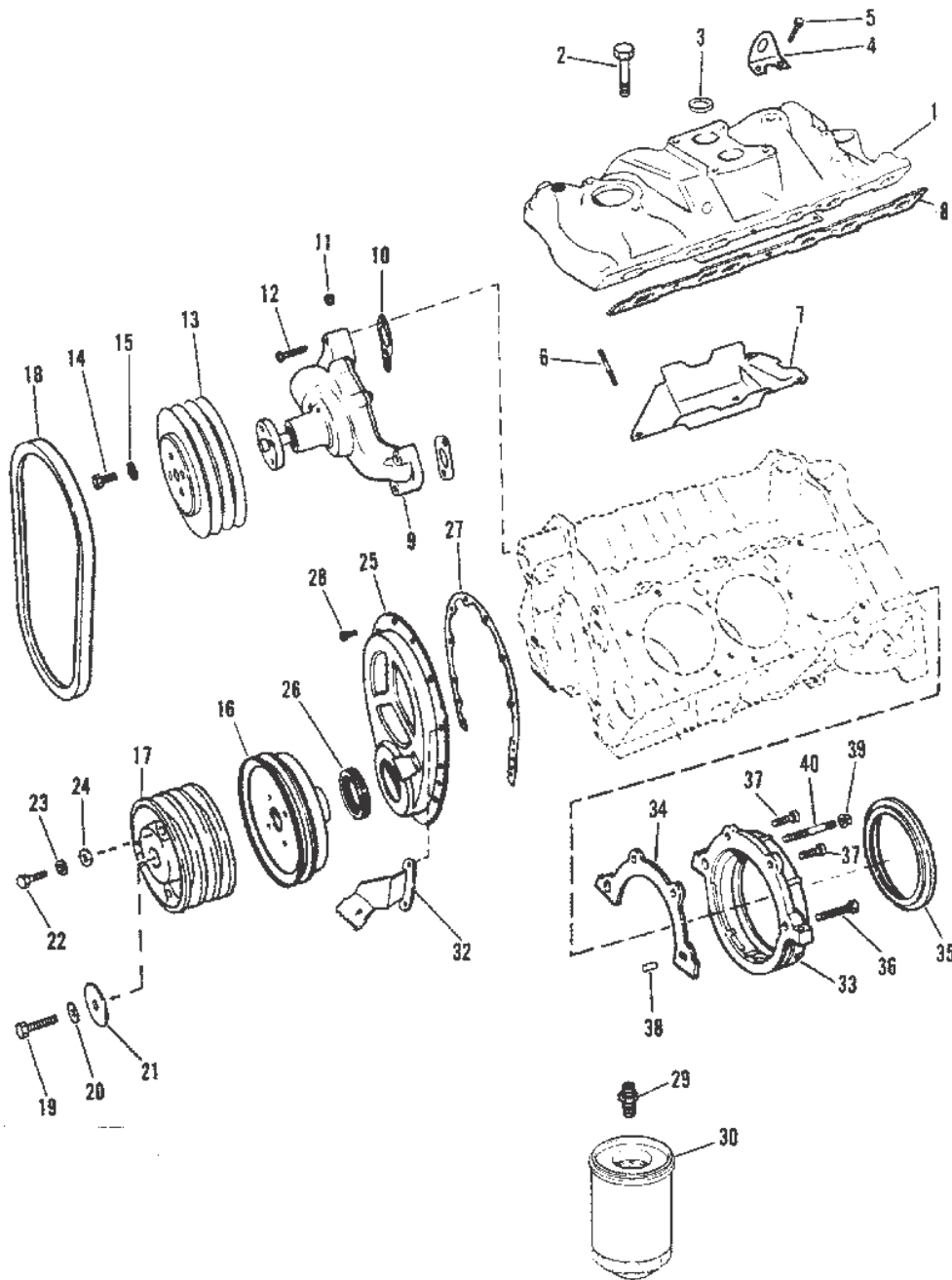
## INTAKE MANIFOLD AND FRONT COVER OLD DESIGN

| Ref # | Part Class | Part Number | Description                              | Comments | Qty | Note |
|-------|------------|-------------|--|----------|-----|------|
| 27    | 0027       | 14250       | GASKET COVER                             |          | 1   | [1]  |
| 28    | 0010       | 35366       | SCREW COVER                              |          | 10  |      |
| 29    | 0000       | 11972       | ADAPTER OIL FILTER                       |          | 1   |      |
| 30    | 0000       | 41815       | FILTER Oil                               |          | 1   | [3]  |
| 31    | 0000       | 42697       | BACKING PLATE CRANKSHAFT PULLEY          |          | 1   |      |
| 32    | 0000       | 75435A1     | POINTER                                  |          | 1   |      |
| 33    | 0000       | 14239       | RETAINER OIL SEAL (REAR)                 |          | 1   |      |
| 34    | 0027       | 14241       | GASKET OIL SEAL RETAINER                 |          | 1   | [1]  |
| 35    | 0026       | 14240       | SEAL Oil Oil - CRANKSHAFT (REAR)         |          | 1   | [1]  |
| 36    | 0010       | 14243       | BOLT (.250-20 x 1.750) OIL SEAL RETAINER |          | 1   |      |
| 37    | 0010       | 14242       | BOLT (.250-20 x .875) OIL SEAL RETAINER  |          | 2   |      |
| 38    | 0017       | 14263       | PIN Dowel                                |          | 1   |      |
| 39    | 0011       | 11996       | NUT                                      |          | 1   |      |
| 40    | 0016       | 14827       | STUD (.250-20 x 2.180)                   |          | 1   |      |
| -     | 0027       | 11977A92    | GASKET SET                               |          | 1   |      |

**PART NOTES:**

- [1] - COMPONENT OF ENGINE/POWERHEAD GASKET SET 11977A92
- [2] - Alternate part numbers:  
17437QS  
850399R04Reman
- [3] - Alternate part numbers:  
41815Service Part  
883702KMPP  
883702QQS

# INTAKE MANIFOLD AND FRONT COVER NEW DESIGN



39278

**RESOURCE NOTES:**

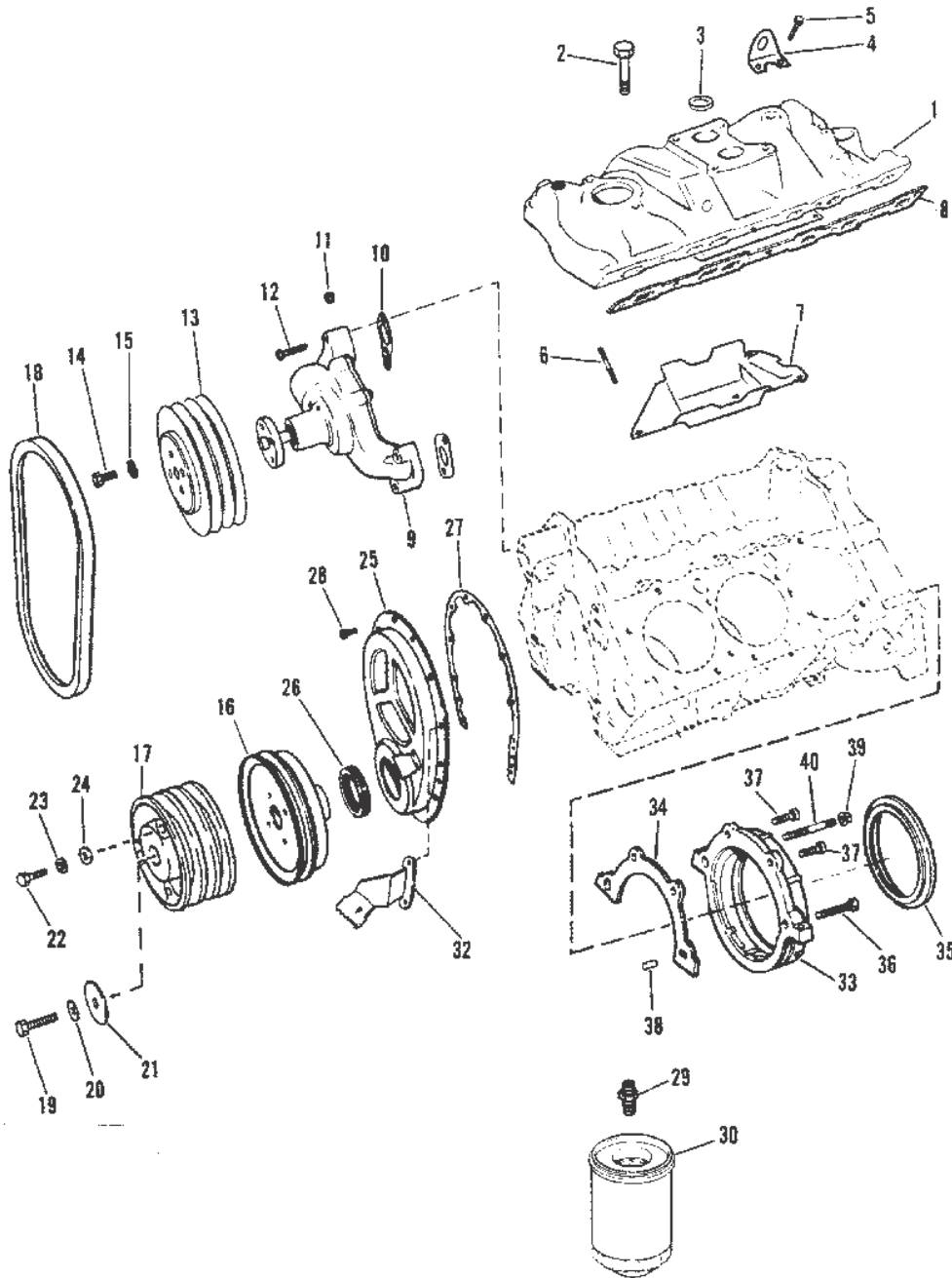
Note: Order replacement parts from this page if **CRANKSHAFT PULLEY** (Reference #17) is **CAST** and shown as illustrated.

## INTAKE MANIFOLD AND FRONT COVER NEW DESIGN

| Ref # | Part Class | Part Number | Description  | Comments                       | Qty | Note |
|-------|------------|-------------|--|--------------------------------|-----|------|
| 1     | 0000       | 11974       | MANIFOLD Intake  | (175 - 4.3L)                   | 1   |      |
| 1     | 0000       | 42752       | MANIFOLD Intake  | (205 - 4.3L/LX)                | 1   |      |
| 2     | 0010       | 11976       | SCREW (.375-16 x 1.00) INTAKE MANIFOLD                             |                                | 8   |      |
| 2     | 0010       | 11975       | BOLT (3/8-16 x 1.25) INTAKE MANIFOLD                               |                                | 4   |      |
| 3     | 0022       | 75983       | PLUG VACUUM HOLE   |                                | 1   |      |
| 4     | 0000       | 42453       | BRACKET LIFTING  | (FRONT)                        | 1   |      |
| 4     | 0000       | 42745       | BRACKET LIFTING  | (REAR)                         | 1   |      |
| 5     | 0010       | 34354       | SCREW (.375-16 x 1.50) LIFTING BRACKET                             |                                | 1   |      |
| 6     |            | N.S.S.      | Not Sold Separate stud, GUARD TO INTAKE MANIFOLD (GM #3959544)     |                                | 4   |      |
| 7     | 0000       | 42753       | GUARD INTAKE MANIFOLD  |                                | 1   |      |
| 8     | 0027       | 11977       | GASKET SET INTAKE MANIFOLD   |                                | 1   | [1]  |
| 9     | 0000       | 17437       | PUMP ASSEMBLY Water  |                                | 1   | [2]  |
| 10    | 0027       | 34897       | GASKET WATER PUMP MOUNTING   |                                | 2   | [1]  |
| 11    | 0022       | 48336       | PLUG Water Pump  |                                | 1   |      |
| 12    | 0010       | 32132       | SCREW (.375-16 x 1.750)  |                                | 1   |      |
| 12    | 0010       | 47688       | SCREW (.375-16 x 2.750)  |                                | 1   |      |
| 12    | 0010       | 52200       | SCREW (1.625 In.) WATER PUMP TO CYLINDER BLOCK (1-1/2")            |                                | 1   |      |
| 12    |            | N.S.S.      | Not Sold Separate STUD, WATER PUMP TO CYLINDER BLOCK (GM #3759755) |                                | 1   |      |
| 13    | 0000       | 15120T      | PULLEY (5.5 In. Diameter) WATER PUMP                               | (5-1/2" DIA.)                  | 1   |      |
| 13    | 0000       | 19692T      | PULLEY (7 In. Diameter) WATER PUMP                                 | (7" DIA.)                      | 1   |      |
| 14    | 0010       | 47277       | SCREW (.312-24 x .750) PULLEY TO WATER PUMP                        |                                | 4   |      |
| 15    | 0013       | 39107       | LOCKWASHER (.312-24) WATER PUMP PULLEY SCREW                       |                                | 4   |      |
| 16    | 0000       | 11990       | BALANCER CRANKSHAFT  |                                | 1   |      |
| 17    | 0000       | 90081T1     | PULLEY HARMONIC BALANCER   |                                | 1   |      |
| 18    | 0057       | 49213A1     | BELT (44 Inch) (44")   | (USE WITH 5-1/2" DIA. REF #13) | 1   |      |
| 18    | 0057       | 48120A1     | V BELT (46 Inch) (46")   | (USE WITH 7" DIA. REF #13)     | 1   |      |
| 19    | 0010       | 32515       | SCREW (.437-20 x 2.50)   |                                | 1   |      |
| 20    | 0013       | 39131       | LOCKWASHER (.437)  |                                | 1   |      |
| 21    | 0012       | 35332       | WASHER PULLEY AND HARMONIC BALANCER BOLT                           |                                | 1   |      |
| 22    | 0010       | 53833       | BOLT (.375-24 x 2.00) PULLEY                                       |                                | 3   |      |
| 23    | 0013       | 35048       | LOCKWASHER (.375) PULLEY BOLT                                      |                                | 3   |      |
| 23    | 0013       | 35048       | LOCKWASHER (.375) PULLEY BOLT                                      |                                | 3   |      |
| 24    | 0012       | 34714       | WASHER PULLEY BOLT   |                                | 3   |      |

## INTAKE MANIFOLD AND FRONT COVER NEW DESIGN

# INTAKE MANIFOLD AND FRONT COVER NEW DESIGN



39278

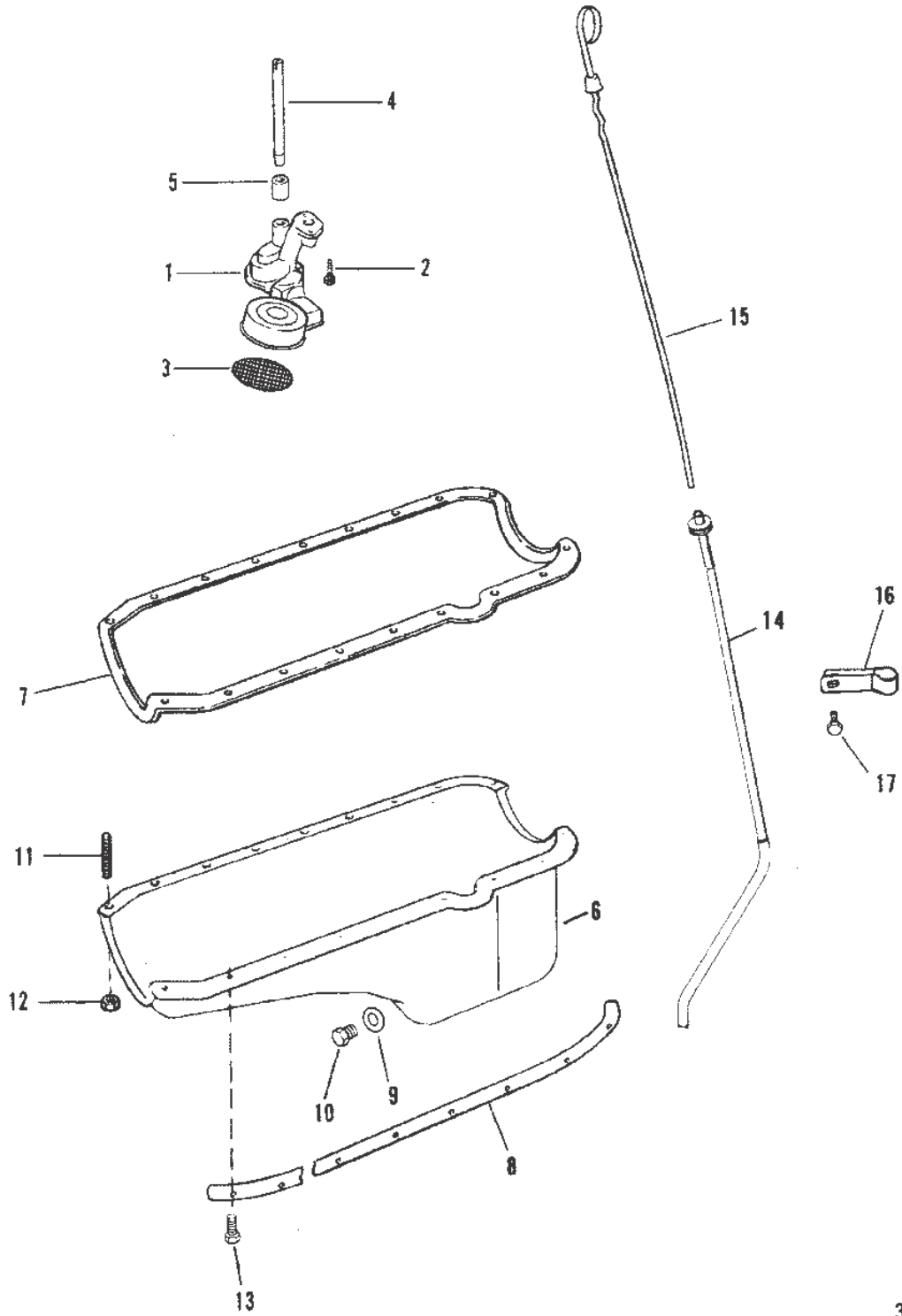
## INTAKE MANIFOLD AND FRONT COVER NEW DESIGN

| Ref # | Part Class | Part Number | Description                              | Comments | Qty | Note |
|-------|------------|-------------|--|----------|-----|------|
| 25    | 0000       | 14249A2     | COVER CRANKCASE FRONT                    |          | 1   |      |
| 26    | 0026       | 97335       | SEAL Oil - COVER                         |          | 1   | [1]  |
| 27    | 0027       | 14250       | GASKET COVER                             |          | 1   | [1]  |
| 28    | 0010       | 35366       | SCREW COVER                              |          | 10  |      |
| 29    | 0000       | 11972       | ADAPTER OIL FILTER                       |          | 1   |      |
| 30    | 0000       | 41815       | FILTER Oil                               |          | 1   | [3]  |
| 32    | 0000       | 75435A1     | POINTER                                  |          | 1   |      |
| 33    | 0000       | 14239       | RETAINER OIL SEAL (REAR)                 |          | 1   |      |
| 34    | 0027       | 14241       | GASKET OIL SEAL RETAINER                 |          | 1   | [1]  |
| 35    | 0026       | 14240       | SEAL Oil CRANKSHAFT (REAR)               |          | 1   | [1]  |
| 36    | 0010       | 14243       | BOLT (.250-20 x 1.750) OIL SEAL RETAINER |          | 1   |      |
| 37    | 0010       | 14242       | BOLT (.250-20 x .875) OIL SEAL RETAINER  |          | 2   |      |
| 38    | 0017       | 14263       | PIN Dowel                                |          | 1   |      |
| 39    | 0011       | 11996       | NUT                                      |          | 1   |      |
| 40    | 0016       | 14827       | STUD (.250-20 x 2.180)                   |          | 1   |      |
| -     | 0027       | 11977A92    | GASKET SET                               |          | 1   |      |

## PART NOTES:

- [1] - COMPONENT OF ENGINE/POWERHEAD GASKET SET 11977A92
- [2] - Alternate part numbers:  
17437QS  
850399R04Reman
- [3] - Alternate part numbers:  
41815Service Part  
883702KMPP  
883702QQS

# OIL PAN AND OIL PUMP



39279

## OIL PAN AND OIL PUMP

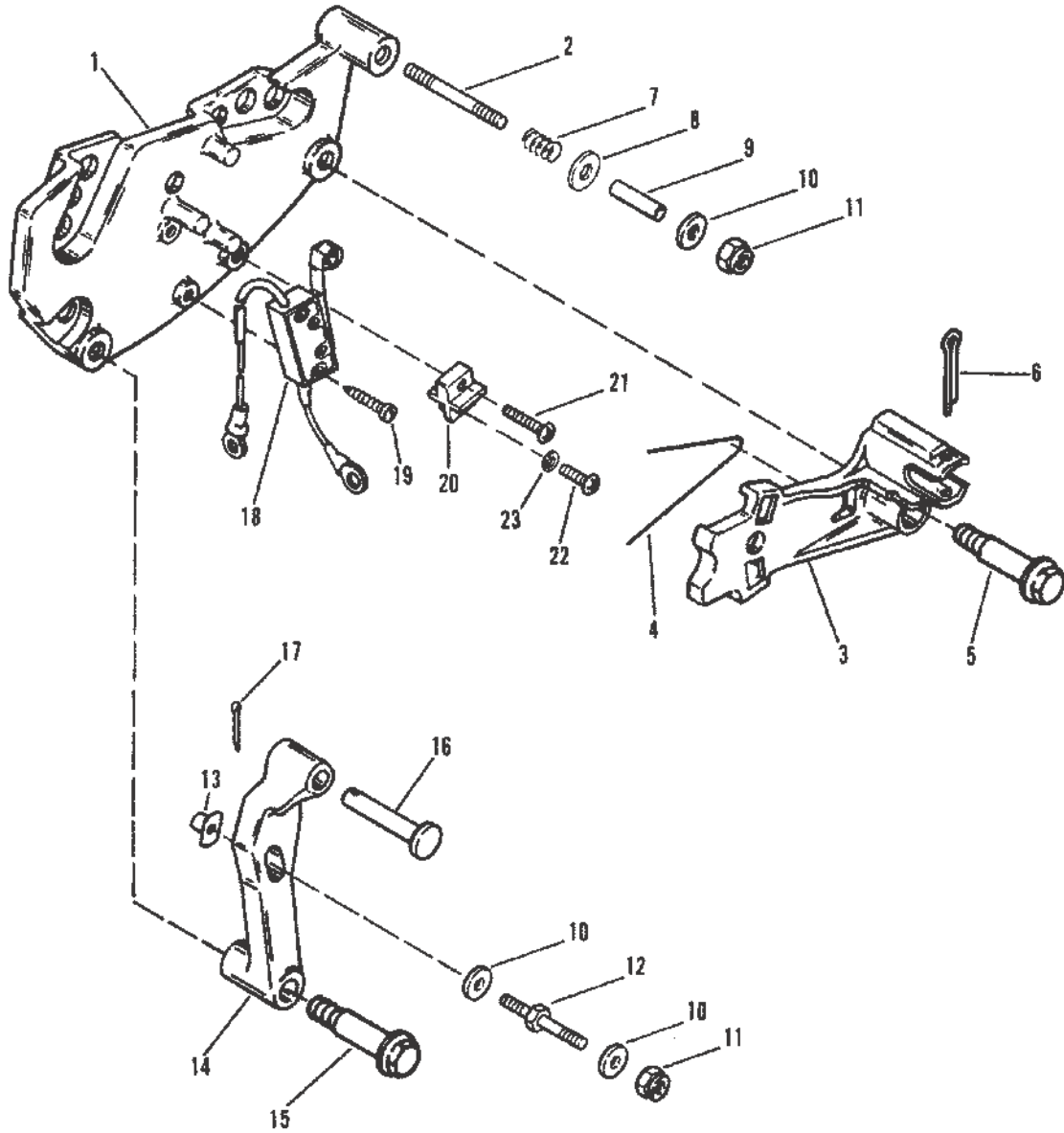
| Ref # | Part Class | Part Number | Description                                   | Comments | Qty | Note |
|-------|------------|-------------|---|----------|-----|------|
| 1     | 0000       | 17617       | PUMP Oil                                      |          | 1   |      |
| 2     | 0010       | 17346       | SCREW OIL PUMP TO CYLINDER BLOCK              |          | 1   |      |
| 3     | 0000       | 35354       | SCREEN ASSEMBLY OIL PUMP                      |          | 1   |      |
| 4     | 0000       | 36184       | SHAFT OIL PUMP TO DISTRIBUTOR                 |          | 1   |      |
| 5     | 0023       | 36183       | RETAINER OIL PUMP SHAFT                       |          | 1   |      |
| 6     | 0000       | 14244       | PAN Oil                                       |          | 1   |      |
| 7     | 0027       | 14247       | GASKET SET OIL PAN                            |          | 1   | [1]  |
| 8     | 0000       | 14245       | REINFORCEMENT OIL PAN                         | (RIGHT)  | 1   |      |
| 8     | 0000       | 14246       | REINFORCEMENT OIL PAN                         | (LEFT)   | 1   |      |
| 9     | 0027       | 49955       | GASKET DRAIN SCREW                            |          | 1   | [1]  |
| 10    | 0010       | 49956       | SCREW Drain OIL PAN DRAIN                     |          | 1   |      |
| 11    | 0016       | 11989       | STUD (.312-18 x 1.6718) OIL PAN               |          | 4   |      |
| 12    | 0011       | 11971       | NUT (.312-18) OIL PAN STUD                    |          | 4   |      |
| 13    | 0010       | 72607       | SCREW (.250-20 x .375) OIL PAN                |          | 12  |      |
| 14    | 0000       | 12117A5     | TUBE OIL LEVEL GAUGE                          |          | 1   |      |
| 15    | 0000       | 410921      | GAUGE OIL LEVEL (DIPSTICK)                    |          | 1   |      |
| 16    | 0054       | 15754       | CLIP OIL LEVEL TUBE                           |          | 1   |      |
| 17    | 0010       | 98253       | SCREW (.250-20 x .500) CLIP TO CYLINDER BLOCK |          | 1   |      |
| -     | 0027       | 11977A92    | GASKET SET                                    |          | 1   |      |

## PART NOTES:

[1] - COMPONENT OF ENGINE/POWERHEAD GASKET SET 11977A92



# SHIFT BRACKET OLD DESIGN



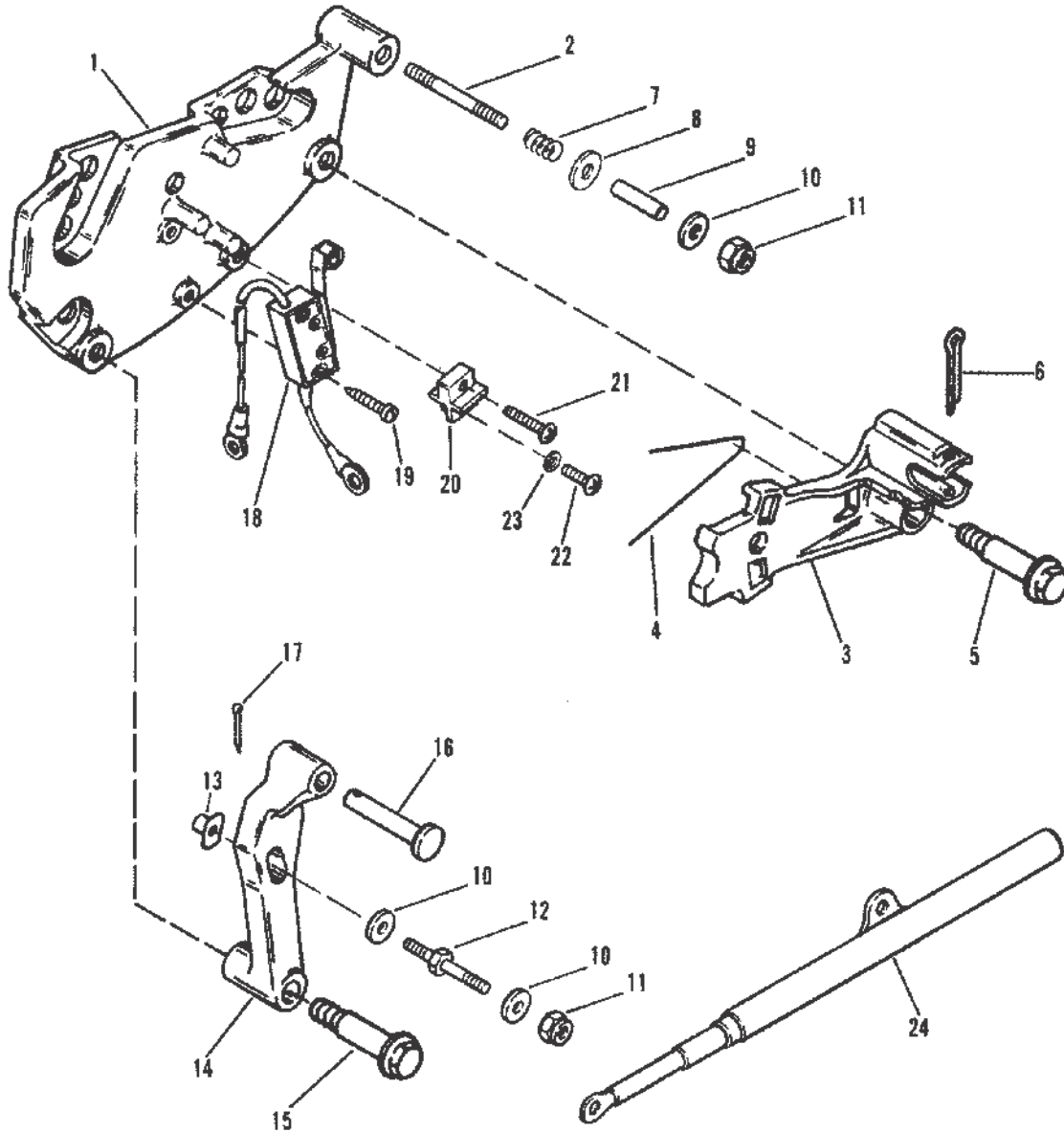
39280

## SHIFT BRACKET OLD DESIGN

| Ref # | Part Class | Part Number | Description  | Comments | Qty | Note |
|-------|------------|-------------|--|----------|-----|------|
| 1     | 0000       | 99237A10    | BRACKET ASSEMBLY   |          | 1   |      |
| 2     | 0016       | 98798       | STUD SHIFT CABLE   |          | 1   |      |
| 3     | 0000       | 13051A4     | LEVER ASSEMBLY Actuating   |          | 1   |      |
| 4     | 0024       | 45599       | SPRING ACTUATING LEVER   |          | 1   |      |
| 5     | 0010       | 13743       | SCREW (.312-18 x 1.843)<br>Shoulder - LEVER                          |          | 1   |      |
| 6     | 0018       | 32857       | COTTER PIN SHIFT CABLE<br>RETAINING                                  |          | 1   |      |
| 7     | 0024       | 98880       | SPRING SHIFT CABLE STUD  |          | 1   |      |
| 8     | 0012       | 56720       | WASHER (.330 x .750 x .060)<br>Stainless Steel SHIFT BRACKET<br>STUD |          | 1   |      |
| 9     | 0023       | 98820       | SPACER SHIFT CABLE STUD  |          | 1   |      |
| 10    | 0012       | 35462       | WASHER (.2656 x .625 x .0625)<br>Stainless Steel SHIFT CABLE STUD    |          | 3   |      |
| 11    | 0011       | 13438       | NUT (.250-28) SHIFT CABLE STUD                                       |          | 2   |      |
| 12    | 0016       | 96112       | STUD (.250-28 x 2.00)  |          | 1   |      |
| 13    | 0011       | 63341       | TEE NUT SHIFT CABLE STUD   |          | 1   |      |
| 14    | 0000       | 13898A3     | LEVER ASSEMBLY Shift   |          | 1   |      |
| 15    | 0010       | 13743       | SCREW (.312-18 x 1.843)<br>Shoulder - SHIFT LEVER                    |          | 1   |      |
| 16    | 0017       | 68402       | PIN (.250 x 1.13) SHIFT LEVER  |          | 1   |      |
| 17    | 0018       | 21071       | COTTER PIN SHIFT LEVER   |          | 1   |      |
| 18    | 0000       | 39670A28    | SWITCH ASSEMBLY CUT-OUT  |          | 1   |      |
| 19    | 0010       | 30902       | SCREW (#6-32 x .750) SWITCH TO<br>SHIFT BRACKET                      |          | 2   |      |
| 20    | 0086       | 66986       | TERMINAL BLOCK   |          | 1   |      |
| 21    | 0010       | 96113       | SCREW (#10-32 x .880) Stainless<br>Steel TERMINAL BLOCK              |          | 1   |      |
| 22    | 0010       | 73287       | SCREW (#10-32 x .380) TERMINAL<br>BLOCK                              |          | 1   |      |
| 23    | 0013       | 26996       | LOCKWASHER (#10) Stainless<br>Steel TERMINAL BLOCK SCREW             |          | 2   |      |

SHIFT BRACKET OLD DESIGN

# SHIFT BRACKET NEW DESIGN - WITH SPRING GUIDE



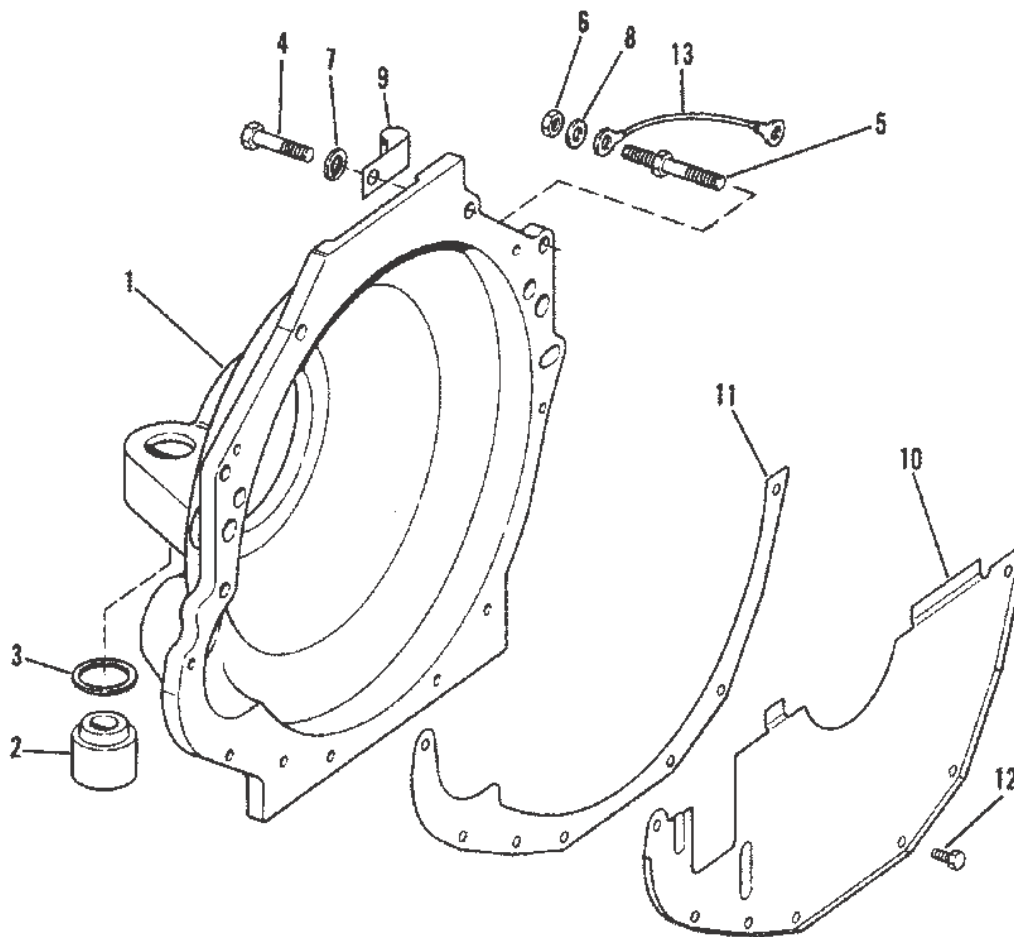
39281

## SHIFT BRACKET NEW DESIGN - WITH SPRING GUIDE

| Ref # | Part Class | Part Number | Description  | Comments | Qty | Note |
|-------|------------|-------------|--|----------|-----|------|
| 1     | 0000       | 99237A10    | BRACKET ASSEMBLY   |          | 1   |      |
| 2     | 0016       | 814002      | STUD SHIFT CABLE   |          | 1   |      |
| 3     | 0000       | 13051A4     | LEVER ASSEMBLY Actuating   |          | 1   |      |
| 4     | 0024       | 45599       | SPRING ACTUATING LEVER   |          | 1   |      |
| 5     | 0010       | 13743       | SCREW (.312-18 x 1.843)<br>Shoulder - LEVER                          |          | 1   |      |
| 6     | 0018       | 32857       | COTTER PIN SHIFT CABLE<br>RETAINING                                  |          | 1   |      |
| 7     | 0024       | 98880       | SPRING SHIFT CABLE STUD  |          | 1   |      |
| 8     | 0012       | 56720       | WASHER (.330 x .750 x .060)<br>Stainless Steel SHIFT BRACKET<br>STUD |          | 1   |      |
| 9     | 0023       | 814003      | SPACER SHIFT CABLE STUD  |          | 1   |      |
| 10    | 0012       | 35462       | WASHER (.2656 x .625 x .0625)<br>Stainless Steel SHIFT CABLE STUD    |          | 4   |      |
| 11    | 0011       | 13438       | NUT (.250-28) SHIFT CABLE STUD                                       |          | 2   |      |
| 12    | 0016       | 96112       | STUD (.250-28 x 2.00)  |          | 1   |      |
| 13    | 0011       | 63341       | TEE NUT  |          | 1   |      |
| 14    | 0000       | 13898A3     | LEVER ASSEMBLY Shift   |          | 1   |      |
| 15    | 0010       | 13743       | SCREW (.312-18 x 1.843)<br>Shoulder - SHIFT LEVER                    |          | 1   |      |
| 16    | 0017       | 814001      | PIN Clevis - SHIFT LEVER   |          | 1   |      |
| 17    | 0018       | 21071       | COTTER PIN SHIFT LEVER   |          | 1   |      |
| 18    | 0000       | 39670A28    | SWITCH ASSEMBLY CUT-OUT  |          | 1   |      |
| 19    | 0010       | 30902       | SCREW (#6-32 x .750) SWITCH TO<br>SHIFT BRACKET                      |          | 2   |      |
| 20    | 0086       | 66986       | TERMINAL BLOCK   |          | 1   |      |
| 21    | 0010       | 96113       | SCREW (#10-32 x .880) Stainless<br>Steel TERMINAL BLOCK              |          | 1   |      |
| 22    | 0010       | 73287       | SCREW (#10-32 x .380) TERMINAL<br>BLOCK                              |          | 1   |      |
| 23    | 0013       | 26996       | LOCKWASHER (#10) Stainless<br>Steel TERMINAL BLOCK SCREW             |          | 2   |      |
| 24    | 0000       | 813995A1    | GUIDE ASSEMBLY Spring  |          | 1   |      |

SHIFT BRACKET NEW DESIGN - WITH SPRING GUIDE

# FLYWHEEL HOUSING



39282

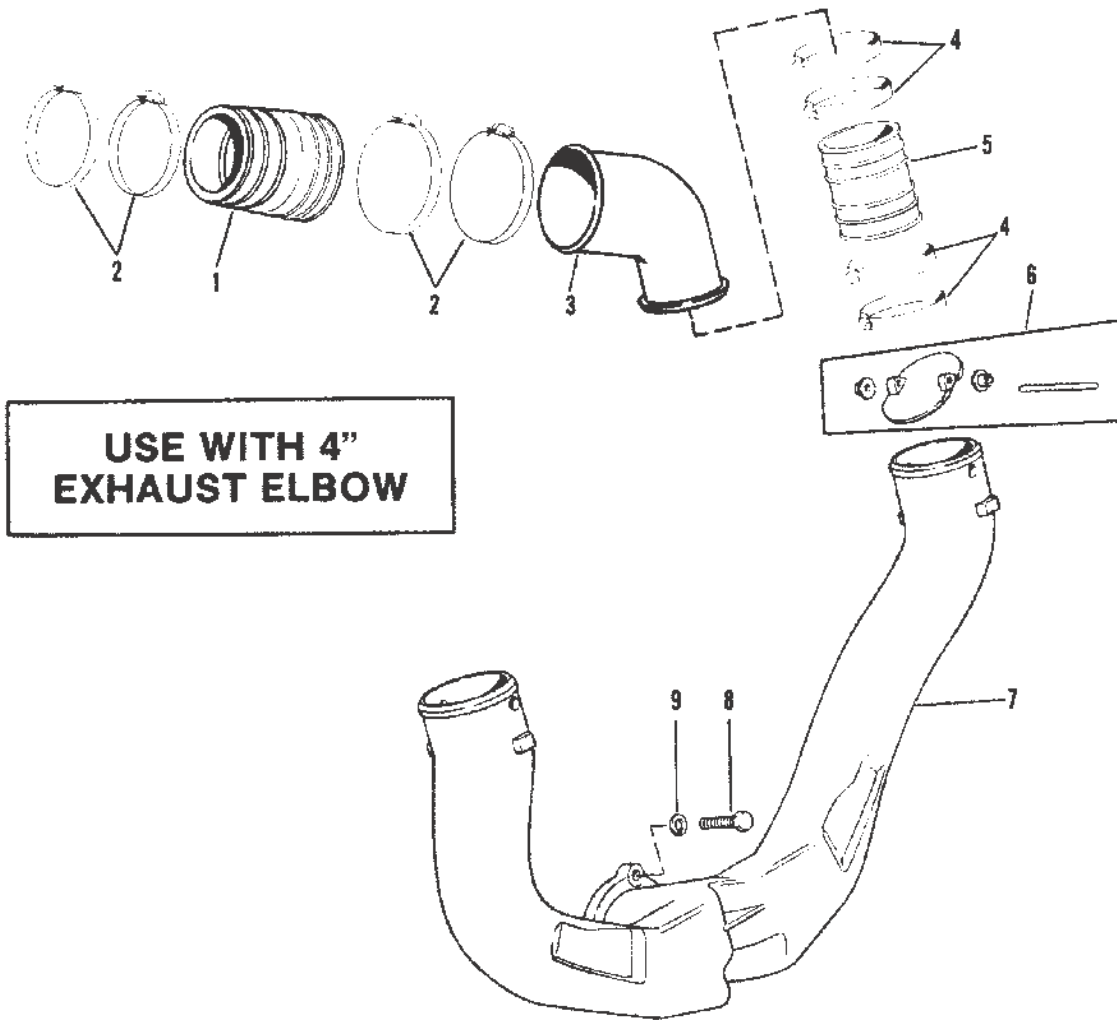
## FLYWHEEL HOUSING

| Ref # | Part Class | Part Number | Description  | Comments                | Qty | Note |
|-------|------------|-------------|--|-------------------------|-----|------|
| 1     | 0000       | 12675A5     | HOUSING ASSEMBLY Flywheel  |                         | 1   |      |
| 2     | 0000       | 99297A2     | MOUNT Rubber FLYWHEEL HOUSING                                    |                         | 2   |      |
| 3     | 0023       | 99322       | SPACER RUBBER MOUNT - FLYWHEEL HOUSING                           |                         | 2   |      |
| 4     | 0010       | 37612       | SCREW (.375-16 x 1.250)  |                         | 4   |      |
| 4     | 0010       | 35870       | SCREW (2&quot;)  |                         | 1   |      |
| 5     | 0016       | 64066       | STUD (.375-16 x 2.750) Special                                   |                         | 1   |      |
| 6     | 0011       | 32219       | NUT (.375-16) FLYWHEEL HOUSING ATTACHING STUD                    |                         | 1   |      |
| 7     | 0013       | 35048       | LOCKWASHER (.375)  |                         | 7   |      |
| 8     | 0012       | 20572       | WASHER (.390 x .750 x .093)                                      |                         | 1   |      |
| 9     | 0054       | 78945       | J CLAMP Harness Support-FLYWHEEL HOUSING STUD                    |                         | 1   |      |
| 9     | 0054       | 92850       | CLAMP  |                         | 2   |      |
| 10    | 0000       | 13930A3     | COVER  |                         | 1   |      |
| 10    | 0000       | 812600A2    | COVER ASSEMBLY   | (USE WITH FLUID MOUNTS) | 1   |      |
| 11    | 0027       | 96274       | GASKET   |                         | 1   | [1]  |
| 12    | 0010       | 32773       | SCREW (.250-20 x .875) COVER                                     |                         | 7   |      |
| 13    | 0084       | 62826A6     | CABLE ASSEMBLY Ground (13.00 Inches) Black FLYWHEEL HOUSING STUD |                         | 1   |      |
| -     | 0027       | 11977A92    | GASKET SET   |                         | 1   |      |

## PART NOTES:

[1] - COMPONENT OF ENGINE/POWERHEAD GASKET SET 11977A92

EXHAUST SYSTEM USE WITH 4 INCH EXHAUST ELBOW



**USE WITH 4"  
EXHAUST ELBOW**

39283

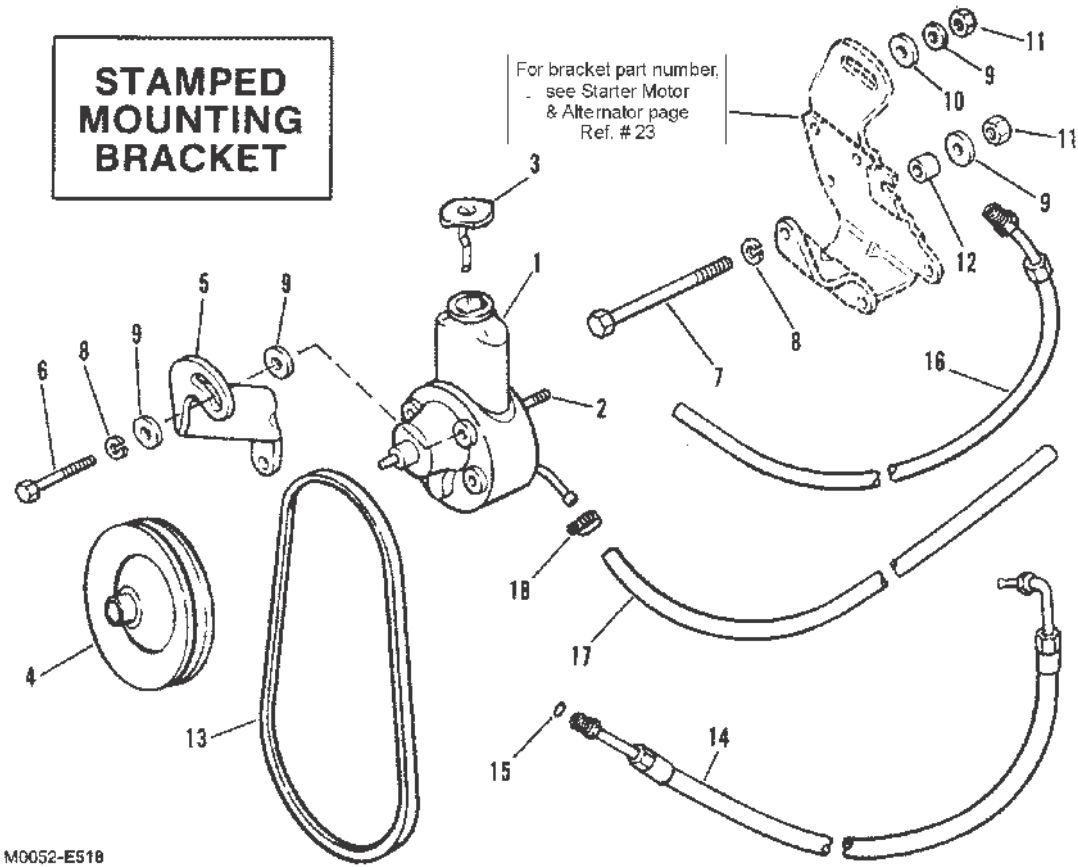
## EXHAUST SYSTEM USE WITH 4 INCH EXHAUST ELBOW

| Ref # | Part Class | Part Number | Description                           | Comments | Qty | Note |
|-------|------------|-------------|---------------------------------------|----------|-----|------|
| 1     | 0032       | 44348       | TUBE EXHAUST                          |          | 2   |      |
| 2     | 0054       | 31765       | CLAMP EXHAUST BELLOWS                 |          | 8   |      |
| 3     | 0000       | 14478T      | ELBOW Exhaust                         |          | 2   |      |
| 4     | 0054       | 31765       | CLAMP EXHAUST TUBE                    |          | 8   |      |
| 5     | 0032       | 14358       | TUBE Exhaust                          |          | 2   |      |
| 6     | 0000       | 14348A1     | SHUTTER ASSEMBLY Water                |          | 1   |      |
| 7     | 0000       | 44266T1     | PIPE Exhaust                          |          | 1   |      |
| 8     | 0010       | 58640       | SCREW (.375-16 x 1.25) EXHAUST ELBOW  |          | 4   |      |
| 9     | 0013       | 41471       | LOCKWASHER (.375) EXHAUST ELBOW SCREW |          | 4   |      |

EXHAUST SYSTEM USE WITH 4 INCH EXHAUST ELBOW



POWER STEERING COMPONENTS STAMPED MOUNTING BRACKET

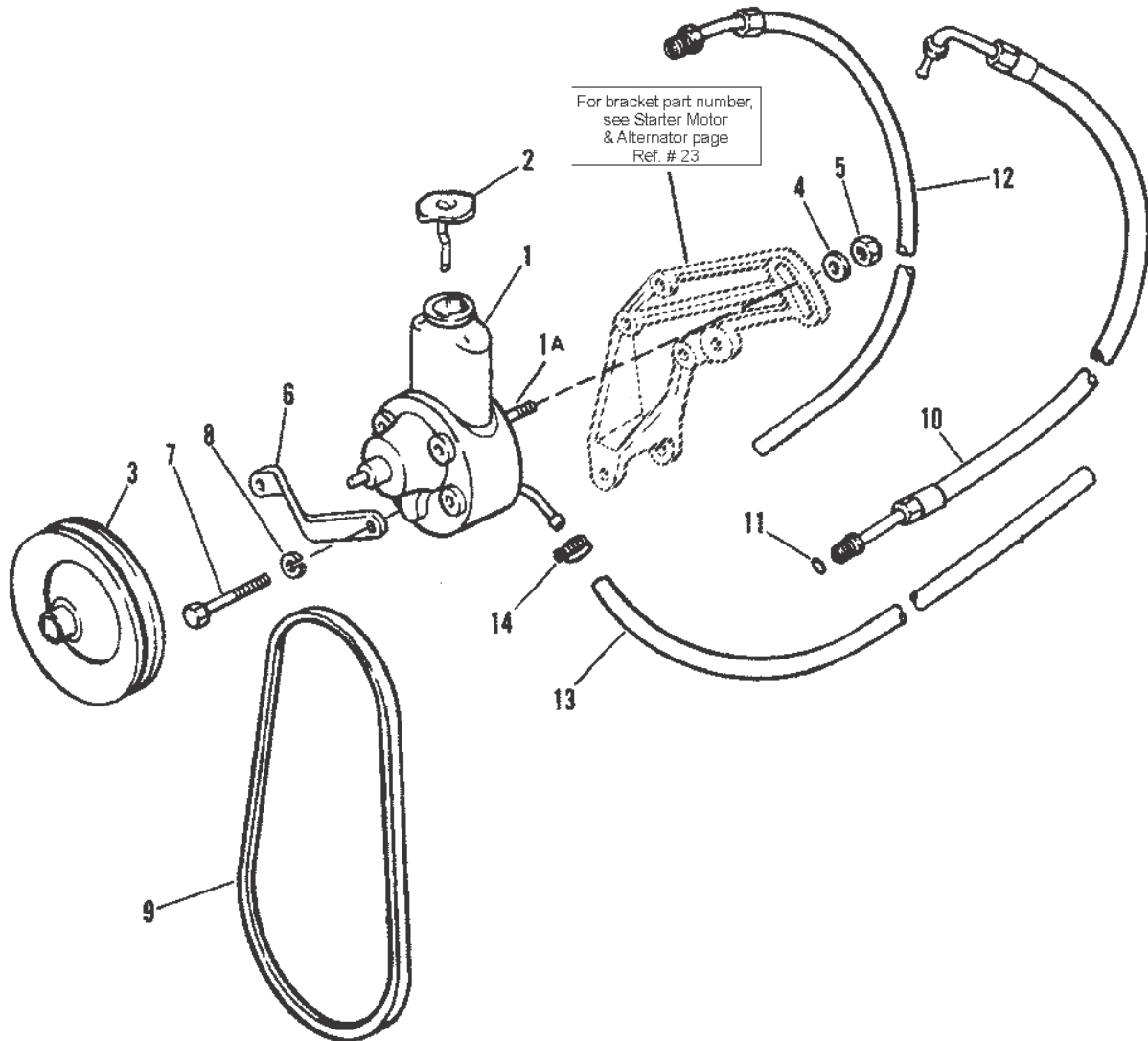


39284

## POWER STEERING COMPONENTS STAMPED MOUNTING BRACKET

| Ref # | Part Class | Part Number | Description  | Comments                                 | Qty | Note |
|-------|------------|-------------|--|--|-----|------|
| 1     | 0000       | 16792A1     | PUMP ASSEMBLY POWER STEERING                                   |  | 1   |      |
| 2     | 0016       | 41877       | STUD (M10) POWER STEERING PUMP                                 |  | 2   |      |
| 3     | 0036       | 95805       | CAP POWER STEERING PUMP  |  | 1   |      |
| 4     | 0000       | 73873A1     | PULLEY POWER STEERING PUMP                                     |  | 1   |      |
| 5     | 0000       | 15082T      | BRACE PUMP   |  | 1   |      |
| 6     | 0010       | 40001192    | SCREW (M10 x 25) PUMP BRACE                                    |  | 1   |      |
| 7     | 0010       | 40001188    | SCREW (M10 x 20) PUMP TO BRACKET                               |  | 1   |      |
| 8     | 0013       | 400248      | LOCKWASHER (M10)   |  | 2   |      |
| 9     | 0023       | 72057       | SPACER (1.00 Outside Diameter x .125 x Thick) PUMP SCREW       |  | 4   |      |
| 10    | 0012       | 28105       | WASHER PUMP STUD   |  | 1   |      |
| 11    | 0011       | 90517       | NUT (M10) MOUNTING STUD  |  | 2   |      |
| 12    | 0023       | 45353       | SPACER PUMP SCREW  |  | 1   |      |
| 13    | 0057       | 37619T      | V BELT   | (USE WITH 5-1/2" DIA. WATER PUMP PULLEY) | 1   |      |
| 13    | 0057       | 816295T     | V BELT   | (USE WITH 7" DIA. WATER PUMP PULLEY)     | 1   |      |
| 14    | 0032       | 90494       | HOSE PRESSURE (FITTINGS ON BOTH ENDS)                          |  | 1   |      |
| 15    | 0025       | 89879       | O-RING (.301 x .064) PRESSURE HOSES END                        |  | 1   |      |
| 16    | 0032       | 9884339     | HOSE ASSEMBLY (72.00 Inches Bulk) RETURN (FITTINGS ON ONE END) |  | 1   |      |
| 17    | 0032       | 5251914     | HOSE (53.00 Inches Bulk) PUMP TO OIL COOLER                    |  | 1   |      |
| 18    | 0054       | 35830       | CLAMP HOSE ATTACHING   |  | 3   |      |

# POWER STEERING COMPONENTS CAST MOUNTING BRACKET



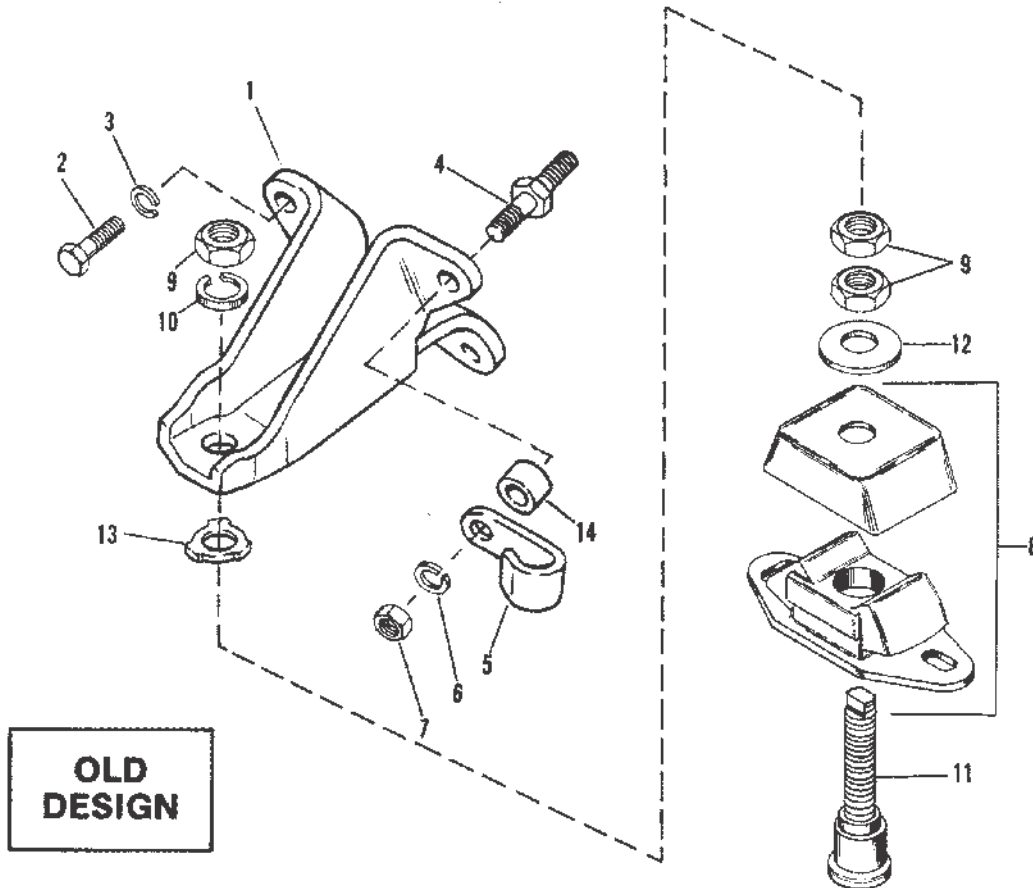
39285

## POWER STEERING COMPONENTS CAST MOUNTING BRACKET

## POWER STEERING COMPONENTS CAST MOUNTING BRACKET

| Ref # | Part Class | Part Number | Description  | Comments | Qty | Note |
|-------|------------|-------------|--|----------|-----|------|
| 1     | 0000       | 90496A5     | PUMP ASSEMBLY POWER STEERING                                   |          | 1   |      |
| 1A    | 0016       | 41877       | STUD (M10) POWER STEERING PUMP                                 |          | 1   |      |
| 2     | 0036       | 95805       | CAP POWER STEERING PUMP  |          | 1   |      |
| 3     | 0000       | 73873A1     | PULLEY POWER STEERING PUMP                                     |          | 1   |      |
| 4     | 0012       | 34567       | WASHER PUMP STUD (BRACE SLOT)                                  |          | 1   |      |
| 5     | 0011       | 90517       | NUT (M10) MOUNTING STUD  |          | 2   |      |
| 6     | 0000       | 98644A1     | BRACE PUMP MOUNTING  |          | 1   |      |
| 7     | 0010       | 40001188    | SCREW (M10 x 20) PUMP MOUNTING BRACE                           |          | 1   |      |
| 8     | 0013       | 400248      | LOCKWASHER (M10) BRACE SCREW                                   |          | 1   |      |
| 9     | 0057       | 37619T      | V BELT POWER STEERING PUMP (52&quot;)                          |          | 1   |      |
| 10    | 0032       | 90494       | HOSE PRESSURE (FITTINGS ON BOTH ENDS)                          |          | 1   |      |
| 11    | 0025       | 89879       | O-RING (.301 x .064) PRESSURE HOSE END                         |          | 1   |      |
| 12    | 0032       | 9884339     | HOSE ASSEMBLY (72.00 Inches Bulk) RETURN (FITTINGS ON ONE END) |          | 1   |      |
| 13    | 0032       | 5251914     | HOSE (53.00 Inches Bulk) PUMP TO OIL COOLER                    |          | 1   |      |
| 14    | 0054       | 35830       | CLAMP HOSE ATTACHING   |          | 3   |      |

# ENGINE MOUNTING OLD DESIGN

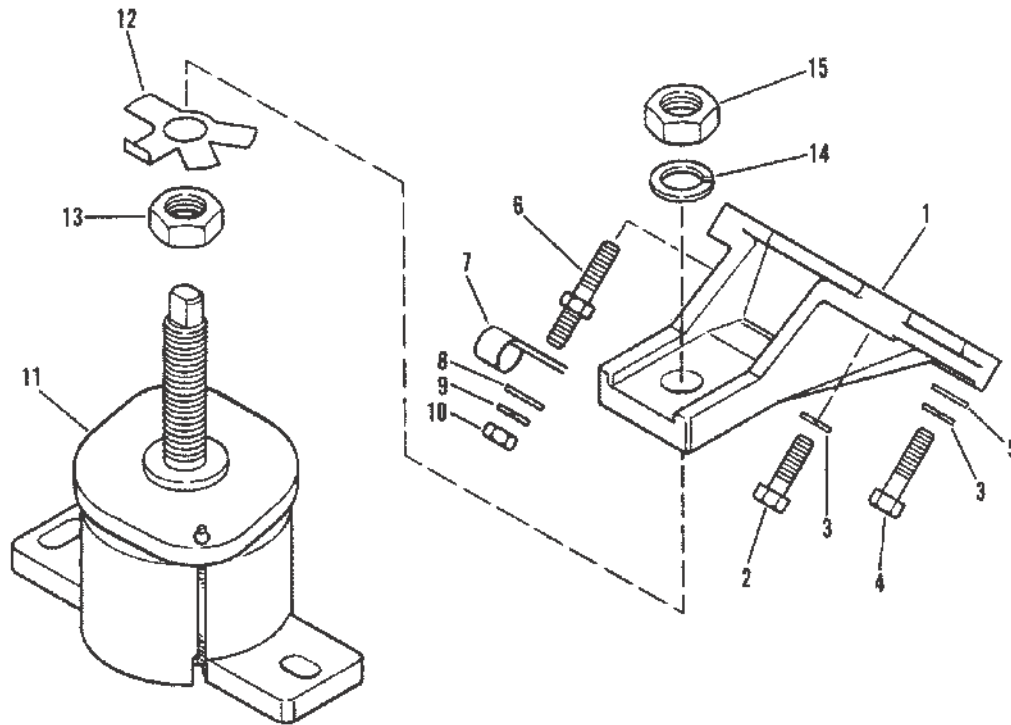


39287

## ENGINE MOUNTING OLD DESIGN

| Ref # | Part Class | Part Number | Description  | Comments  | Qty | Note |
|-------|------------|-------------|--|-----------|-----|------|
| 1     | 0000       | 44364A1     | BRACKET ASSEMBLY<br>MOUNTING - ENGINE (FRONT)                |           | 2   |      |
| 2     | 0010       | 34353       | SCREW (.375-16 x 1.00)                                       |           | 5   |      |
| 3     | 0013       | 35048       | LOCKWASHER (.375) MOUNTING<br>BRACKET SCREW                  |           | 5   |      |
| 3     | 0012       | 46132       | WASHER MOUNTING BRACKET<br>SCREW                             |           | 1   |      |
| 4     | 0016       | 64066       | STUD (.375-16 x 2.750) Special<br>MOUNTING BRACKET TO ENGINE | STARBOARD | 1   |      |
| 5     | 0054       | 92850       | CLAMP WIRING HARNESS   | STARBOARD | 1   |      |
| 6     | 0013       | 35048       | LOCKWASHER (.375) MOUNTING<br>BRACKET STUD                   | STARBOARD | 2   |      |
| 7     | 0011       | 32219       | NUT (.375-16) MOUNTING<br>BRACKET STUD                       | STARBOARD | 1   |      |
| 8     | 0000       | 98323A6     | BASE ASSEMBLY ENGINE<br>MOUNT                                |           | 2   |      |
| 9     | 0011       | 20739       | NUT (.750-16) JAM - ENGINE<br>MOUNT BASE                     |           | 6   |      |
| 10    | 0013       | 68102       | LOCKWASHER (.750) MOUNTING<br>BRACKET                        |           | 2   |      |
| 11    | 0016       | 41012       | STUD ENGINE MOUNTING   |           | 2   |      |
| 12    | 0012       | 41150       | WASHER SUPPORT   |           | 2   |      |
| 13    | 0014       | 12657       | TAB WASHER   |           | 2   |      |
| 14    | 0023       | 57369       | SPACER MOUNTING STUD   |           | 1   |      |

# ENGINE MOUNTING NEW DESIGN - FLUID MOUNT



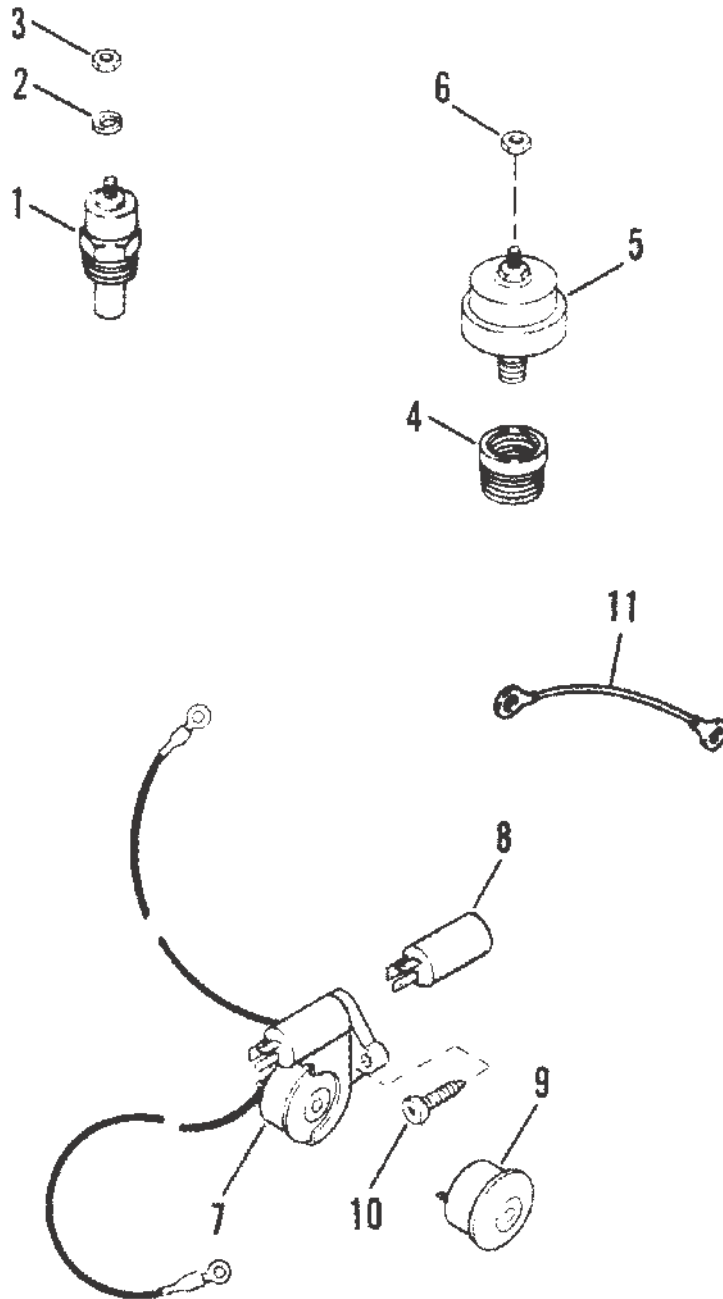
39288

## ENGINE MOUNTING NEW DESIGN - FLUID MOUNT

| Ref # | Part Class | Part Number | Description  | Comments | Qty | Note |
|-------|------------|-------------|--|----------|-----|------|
| 1     | 0000       | 18645T      | BRACKET MOUNTING (FRONT)                           |          | 2   |      |
| 2     | 0010       | 68101       | SCREW (.375-16 x 1.375)<br>MOUNTING BRACKET        |          | 4   |      |
| 3     | 0013       | 35048       | LOCKWASHER (.375) BRACKET<br>SCREW                 |          | 5   |      |
| 4     | 0010       | 48424       | SCREW (.375-16 x 1.620)<br>MOUNTING BRACKET        |          | 1   |      |
| 5     | 0012       | 46132       | WASHER BRACKET TO SCREW                            |          | 1   |      |
| 6     | 0016       | 64066       | STUD (.375-16 x 2.750) Special<br>MOUNTING BRACKET |          | 1   |      |
| 7     | 0054       | 78945       | J CLAMP Harness Support                            |          | 1   |      |
| 8     | 0012       | 20553       | WASHER (.406 x .734 x .063)                        |          | 1   |      |
| 9     | 0013       | 35048       | LOCKWASHER (.375)                                  |          | 1   |      |
| 10    | 0011       | 32219       | NUT (.375-16)                                      |          | 1   |      |
| 11    | 0000       | 18098A3     | FLUID MOUNT  |          | 2   |      |
| 12    | 0014       | 12657       | TAB WASHER   |          | 2   |      |
| 13    | 0011       | 20739       | NUT (.750-16) JAM                                  |          | 2   |      |
| 14    | 0013       | 68102       | LOCKWASHER (.750)                                  |          | 2   |      |
| 15    | 0011       | 20739       | NUT (.750-16) JAM                                  |          | 2   |      |



# AUDIO WARNING SYSTEM



39289

## AUDIO WARNING SYSTEM

| Ref # | Part Class | Part Number | Description   | Comments                | Qty | Note |
|-------|------------|-------------|---|-------------------------|-----|------|
| 1     | 0000       | 48952       | SWITCH ASSEMBLY WATER TEMPATURE                     |                         | 1   |      |
| 2     | 0013       | 26996       | LOCKWASHER (#10) Stainless Steel TEMPERATURE SWITCH |                         | 1   |      |
| 3     | 0011       | 45076       | NUT (#10-32) Brass TEMPERATURE SWITCH               |                         | 1   |      |
| 4     | 0022       | 18021       | FITTING REDUCER                                     |                         | 1   |      |
| 5     | 0000       | 38559       | SWITCH  |                         | 1   |      |
| 6     | 0011       | 45076       | NUT (#10-32) Brass PRESSURE SWITCH TERMINAL         |                         |     |      |
| 7     | 0000       | 86047A11    | HOUSING KIT   | (W/O BULLET CONNECTORS) | 1   |      |
| 7     | 0000       | 86047A16    | HOUSING KIT   | (W/BULLET CONNECTORS)   | 1   |      |
| 8     | 0000       | 86045       | TIMER TEMPERATURE BUZZER                            |                         | 1   |      |
| 9     | 0000       | 68878A6     | HORN ASSEMBLY Buzzer Alarm                          |                         | 1   |      |
| 10    | 0010       | 69013       | SCREW (#10-16 x .880) HORN ATTACHING                |                         | 2   |      |
| 11    | 0084       | 13760A6     | WIRE ASSEMBLY                                       |                         | 1   |      |

# PARTS INDEX

| Part No. | Description  | Pg. | Ref.no | Part No. | Description                                    | Pg. | Ref.no |
|----------|--|-----|--------|----------|--|-----|--------|
| 11004    | FILTER   | 30  | 2      | 11149A5  | HARNES ASSEMBLY Adapter                        | 24  | -      |
| 11178    | BREAKER Circuit - 50 Ampere                            | 22  | 24     | 118512   | LINE Fuel FUEL PUMP TO CARBURETOR              | 30  | 12     |
| 11965    | ROTATOR VALVE SPRING - EXHAUST VALVE                   | 56  | 12     | 11966    | SCREW (.437-14 x 3.750)                        | 56  | 22     |
| 11967    | BOLT (3 In.) CYLINDER HEAD TO CYLINDER BLOCK (3&quot;) | 56  | 21     | 11968    | SCREW (.437-14 x 1.750)                        | 56  | 20     |
| 11969    | BOLT   | 60  | 14     | 11971    | NUT (.312-18) OIL PAN STUD                     | 70  | 12     |
| 11972    | ADAPTER OIL FILTER                                     | 64  | 29     | 11972    | ADAPTER OIL FILTER                             | 68  | 29     |
| 11974    | MANIFOLD Intake  | 62  | 1      | 11974    | MANIFOLD Intake                                | 66  | 1      |
| 11975    | BOLT (3/8-16 x 1.25) INTAKE MANIFOLD                   | 62  | 2      | 11975    | BOLT (3/8-16 x 1.25) INTAKE MANIFOLD           | 66  | 2      |
| 11976    | SCREW (.375-16 x 1.00) DISTRIBUTOR CLAMP               | 26  | 17     | 11976    | SCREW (.375-16 x 1.00) INTAKE MANIFOLD         | 62  | 2      |
| 11976    | SCREW (.375-16 x 1.00) INTAKE MANIFOLD                 | 66  | 2      | 11977    | GASKET SET INTAKE MANIFOLD                     | 62  | 8      |
| 11977    | GASKET SET INTAKE MANIFOLD                             | 66  | 8      | 11977A92 | GASKET SET                                     | 26  | -      |
| 11977A92 | GASKET SET   | 30  | -      | 11977A92 | GASKET SET                                     | 34  | -      |
| 11977A92 | GASKET SET   | 42  | -      | 11977A92 | GASKET SET                                     | 46  | -      |
| 11977A92 | GASKET SET   | 48  | -      | 11977A92 | GASKET SET                                     | 52  | -      |
| 11977A92 | GASKET SET   | 56  | -      | 11977A92 | GASKET SET                                     | 58  | -      |
| 11977A92 | GASKET SET   | 64  | -      | 11977A92 | GASKET SET                                     | 68  | -      |
| 11977A92 | GASKET SET   | 70  | -      | 11977A92 | GASKET SET                                     | 76  | -      |
| 11988    | GASKET Metal Rocker Cover                              | 56  | 23     | 11989    | STUD (.312-18 x 1.6718) OIL PAN                | 70  | 11     |
| 11990    | BALANCER HARMONIC - CRANKSHAFT                         | 62  | 16     | 11990    | BALANCER CRANKSHAFT                            | 66  | 16     |
| 11992    | BEARING  | 60  | 16     | 11993    | BEARING  | 60  | 16     |
| 11996    | NUT  | 64  | 39     | 11996    | NUT  | 68  | 39     |
| 12117A5  | TUBE OIL LEVEL GAUGE                                   | 70  | 14     | 12177A2  | STARTER MOTOR ASSEMBLY                         | 4   | 1      |
| 12177A2  | STARTER MOTOR ASSEMBLY                                 | 8   | -      | 12404    | BRACE  | 4   | 3      |
| 125001   | PLATE IGNITION AMPLIFIER                               | 24  | 46     | 12546901 | OWNERS GUIDE                                   | 2   | -      |
| 12552    | LIFTING EYE  | 48  | 31     | 12552    | LIFTING EYE                                    | 52  | 15     |
| 12657    | TAB WASHER   | 84  | 13     | 12657    | TAB WASHER                                     | 86  | 12     |
| 12675A5  | HOUSING ASSEMBLY Flywheel                              | 76  | 1      | 13037    | SOLENOID SWITCH (4-1/4&quot; LONG)             | 10  | 33     |
| 13051A4  | LEVER ASSEMBLY Actuating                               | 72  | 3      | 13051A4  | LEVER ASSEMBLY Actuating                       | 74  | 3      |
| 13438    | NUT (.250-28) SHIFT CABLE STUD                         | 72  | 11     | 13438    | NUT (.250-28) SHIFT CABLE STUD                 | 74  | 11     |
| 13510    | WASHER   | 60  | 12     | 13524A6  | ROTOR/SENSOR WHEEL                             | 26  | 5      |
| 1372310  | DECAL CARBURETOR COVER                                 | 40  | 2      | 1372320  | DECAL CARBURETOR COVER                         | 32  | 2      |
| 1372329  | DECAL CARBURETOR COVER                                 | 32  | 2      | 1372332  | DECAL CARBURETOR COVER                         | 40  | 2      |
| 13743    | SCREW (.312-18 x 1.843) Shoulder - LEVER               | 72  | 5      | 13743    | SCREW (.312-18 x 1.843) Shoulder - SHIFT LEVER | 72  | 15     |
| 13743    | SCREW (.312-18 x 1.843) Shoulder - LEVER               | 74  | 5      | 13743    | SCREW (.312-18 x 1.843) Shoulder - SHIFT LEVER | 74  | 15     |
| 13753A2  | CAP DISTRIBUTOR  | 26  | 2      | 13754    | HOUSING DRIVE END                              | 8   | 1      |
| 13760A6  | WIRE ASSEMBLY  | 88  | 11     | 13898A3  | LEVER ASSEMBLY Shift                           | 72  | 14     |
| 13898A3  | LEVER ASSEMBLY Shift                                   | 74  | 14     | 13930A3  | COVER  | 76  | 10     |
| 14149A1  | MARINE LONG BLOCK ENGINE                               | 58  | -      | 14239    | RETAINER OIL SEAL (REAR)                       | 64  | 33     |
| 14239    | RETAINER OIL SEAL (REAR)                               | 68  | 33     | 14240    | SEAL Oil Oil - CRANKSHAFT (REAR)               | 64  | 35     |
| 14240    | SEAL Oil CRANKSHAFT (REAR)                             | 68  | 35     | 14241    | GASKET OIL SEAL RETAINER                       | 64  | 34     |
| 14241    | GASKET OIL SEAL RETAINER                               | 68  | 34     | 14242    | BOLT (.250-20 x .875) OIL SEAL RETAINER        | 64  | 37     |
| 14242    | BOLT (.250-20 x .875) OIL SEAL RETAINER                | 68  | 37     | 14243    | BOLT (.250-20 x 1.750) OIL SEAL RETAINER       | 64  | 36     |
| 14243    | BOLT (.250-20 x 1.750) OIL SEAL RETAINER               | 68  | 36     | 14244    | PAN Oil  | 70  | 6      |
| 14245    | REINFORCEMENT OIL PAN                                  | 70  | 8      | 14246    | REINFORCEMENT OIL PAN                          | 70  | 8      |
| 14247    | GASKET SET OIL PAN                                     | 70  | 7      | 14249A2  | COVER CRANKCASE FRONT                          | 62  | 25     |
| 14249A2  | COVER CRANKCASE FRONT                                  | 68  | 25     | 14250    | GASKET COVER                                   | 64  | 27     |
| 14250    | GASKET COVER   | 68  | 27     | 14251    | ROCKER COVER                                   | 56  | 1      |
| 14252    | ROCKER COVER   | 56  | 1      | 14263    | PIN Dowel                                      | 64  | 38     |
| 14263    | PIN Dowel  | 68  | 38     | 14348A1  | SHUTTER ASSEMBLY Water                         | 78  | 6      |
| 14358    | TUBE Exhaust   | 78  | 5      | 14478T   | ELBOW Exhaust                                  | 78  | 3      |
| 14827    | STUD (.250-20 x 2.180)                                 | 64  | 40     | 14827    | STUD (.250-20 x 2.180)                         | 68  | 40     |
| 14883    | SCREW (.375-16 x 1.12)                                 | 60  | 11     | 15001    | SCREW (#8-16 x .875)                           | 22  | 3      |
| 15082T   | BRACE PUMP   | 80  | 5      | 15083T   | BRACKET ALTERNATOR/PUMP                        | 6   | 31     |
| 15120T   | PULLEY (5.5 In. Diameter) WATER PUMP (3 GROOVE)        | 62  | 13     | 15120T   | PULLEY (5.5 In. Diameter) WATER PUMP           | 66  | 13     |
| 15247A1  | IGNITION AMPLIFIER                                     | 24  | 42     | 15275A1  | HARNES ASSEMBLY                                | 24  | 42A    |
| 15414A7  | COVER CARBURETOR                                       | 32  | 1      | 15414A7  | COVER CARBURETOR                               | 40  | 1      |
| 15754    | CLIP OIL LEVEL TUBE                                    | 70  | 16     | 15874    | NUT (M10) BATTERY TERMINAL                     | 4   | 6      |
| 1589418  | HOSE Breather (CORRUGATED)                             | 32  | 9      | 1589418  | HOSE Breather (CORRUGATED)                     | 40  | 8      |

# PARTS INDEX

| Part No. | Description   | Pg. | Ref.no | Part No. | Description   | Pg. | Ref.no |
|----------|---|-----|--------|----------|---|-----|--------|
| 16012    | HOSE THERMOSTAT HOUSING TO FLUID COOLER                             | 52  | 21     | 16021    | HOSE THERMOSTAT COVER TO EXH. MANIFOLD (PORT)                   | 48  | 15     |
| 16021    | HOSE THERMOSTAT COVER TO EXHAUST MANIFOLD (PORT)                    | 52  | 18     | 16413A3  | HOUSING ASSEMBLY Thermostat                                     | 52  | 1      |
| 16792A1  | PUMP ASSEMBLY POWER STEERING  | 80  | 1      | 16951A1  | COCK ASSEMBLY EXHAUST MANIFOLD                                  | 46  | 6      |
| 16951A1  | COCK ASSEMBLY (OLD DESIGN)  | 58  | 2      | 17160    | SPROCKET CRANKSHAFT   | 58  | 14     |
| 17161    | CHAIN Timing  | 58  | 12     | 17339    | PUSH ROD VALVE PUSH (DOUBLE BALL END)                           | 56  | 5      |
| 17340    | LIFTER  | 58  | 10     | 17341    | GUIDE Lifter  | 58  | 18     |
| 17342    | RETAINER  | 58  | 19     | 17343    | SCREW (.250-20 x .500)  | 58  | 22     |
| 17344    | SCREW ROCKER COVER  | 56  | 3      | 17345    | CAP OIL FILLER  | 56  | 2      |
| 17346    | SCREW OIL PUMP TO CYLINDER BLOCK                                    | 70  | 2      | 17347    | ROD PUSH - FUEL PUMP  | 30  | 9      |
| 17348    | RETAINER  | 58  | 21     | 17437    | PUMP ASSEMBLY Water   | 62  | 9      |
| 17437    | PUMP ASSEMBLY Water   | 66  | 9      | 17464    | RING SET Piston (Standard)                                      | 60  | 2      |
| 17465    | RING Piston   | 60  | 2      | 17468    | PARTS MANUAL 175 HP/ 4.3L/205 HP/4.3L/LX                        | 2   | -      |
| 17494A1  | COVER KIT THERMOSTAT  | 52  | 12     | 17495    | SLEEVE THERMOSTAT   | 52  | 10     |
| 17617    | PUMP Oil  | 70  | 1      | 17989    | SCREW (#10-32 x 8.600)  | 52  | 3      |
| 18021    | FITTING REDUCER   | 88  | 4      | 18080    | SOLENOID SWITCH (3.625)   | 10  | 33     |
| 18098A3  | FLUID MOUNT   | 86  | 11     | 18484A3  | COVER CARBURETOR  | 32  | 4      |
| 18484A3  | COVER CARBURETOR  | 40  | 3      | 18643A2  | COUPLING ASSEMBLY   | 60  | 9      |
| 18644    | BUMPER Rubber   | 60  | 10     | 18645T   | BRACKET MOUNTING (FRONT)  | 86  | 1      |
| 18708    | SPROCKET CAMSHAFT   | 58  | 13     | 18710    | CAP Metal Rocker Cover OIL FILLER                               | 56  | 2      |
| 18810    | HOSE THERMOSTAT COVER TO EXHAUST MANIFOLD (STARBOARD)               | 52  | 19     | 19692T   | PULLEY (7 In. Diameter) WATER PUMP                              | 66  | 13     |
| 20084    | WASHER (.328 x .562 x .062) CARBURETOR STUD                         | 32  | 23     | 20084    | WASHER (.328 x .562 x .062) THROTTLE CABLE                      | 40  | 20     |
| 20088    | NUT STARTER SOLENOID SCREW  | 24  | 34     | 20128    | WASHER THROTTLE CABLE SCREW                                     | 34  | 33     |
| 20128    | WASHER THROTTLE CABLE SCREW   | 40  | 27     | 20190    | NUT (#10-32) THROTTLE CABLE SCREW                               | 34  | 34     |
| 20190    | NUT (#10-32) THROTTLE CABLE SCREW                                   | 40  | 31     | 20361    | NUT (.250-28) THROTTLE CABLE STUD                               | 42  | 34     |
| 20553    | WASHER (.406 x .734 x .063) ALTERNATOR SCREW                        | 6   | 27     | 20553    | WASHER (.406 x .734 x .063)                                     | 86  | 8      |
| 20572    | WASHER (.390 x .750 x .093) MOUNTING BRACKET STUD                   | 22  | 21     | 20572    | WASHER (.390 x .750 x .093)                                     | 76  | 8      |
| 20586    | NUT (.250-28) SILENCER ADAPTER                                      | 32  | 8      | 20586    | NUT (.250-28) THROTTLE CABLE STUD                               | 32  | 27     |
| 20586    | NUT (.250-28) SILENCER ADAPTER                                      | 40  | 7      | 20586    | NUT (.250-28) THROTTLE CABLE STUD                               | 40  | 24     |
| 20586    | NUT (.250-28) THROTTLE CABLE STUD                                   | 42  | 33     | 20739    | NUT (.750-16) JAM - ENGINE MOUNT BASE                           | 84  | 9      |
| 20739    | NUT (.750-16) JAM   | 86  | 13     | 20739    | NUT (.750-16) JAM   | 86  | 15     |
| 21071    | COTTER PIN SHIFT LEVER  | 72  | 17     | 21071    | COTTER PIN SHIFT LEVER  | 74  | 17     |
| 21272    | LOCKWASHER (.250) ALTERNATOR TERMINAL                               | 4   | 13     | 22028    | SCREW (#10-32 x .50) TERMINAL BLOCK                             | 24  | 40     |
| 23161    | NUT (.375-24) ALTERNATOR SCREW                                      | 6   | 30     | 23161    | NUT (.375-24) ALTERNATOR SCREW                                  | 6   | 36     |
| 24664    | WASHER (M4 x 20) THROTTLE CABLE STUD                                | 32  | 26     | 24664    | WASHER (M4 x 20) THROTTLE CABLE STUD                            | 40  | 23     |
| 24883    | NUT MOUNTING BRACKET STUD   | 22  | 20     | 25594    | NUT (.9375-24) CARBURETOR STUD                                  | 32  | 22     |
| 26079    | PLATE WIRING HARNESS  | 22  | 2      | 26079A2  | PLATE KIT Wire Harness Mount                                    | 22  | 2      |
| 26168    | WASHER ALTERNATOR BRACE SCREW                                       | 4   | 20     | 26419    | NUT (#8-32) Brass SOLENOID SWITCH TERMINAL                      | 4   | 8      |
| 26419    | NUT (#8-32) Brass   | 24  | 36     | 26901    | BUMPER  | 60  | 10     |
| 26992    | LOCKWASHER (.250) Stainless Steel MOUNTING BRACKET                  | 22  | 6      | 26992    | LOCKWASHER (.250) Stainless Steel STARTER SOLENOID TERMINAL     | 24  | 35     |
| 26992    | LOCKWASHER (.250) Stainless Steel AMPLIFIER SCREW                   | 24  | 44     | 26992    | LOCKWASHER (.250) Stainless Steel AMPLIFIER PLATE SCREW         | 24  | 48     |
| 26995    | LOCKWASHER (#8) Stainless Steel COVER SCREW                         | 32  | 16     | 26996    | LOCKWASHER (#10) Stainless Steel ALTERNATOR TERMINAL            | 4   | 10     |
| 26996    | LOCKWASHER (#10) Stainless Steel                                    | 22  | 8      | 26996    | LOCKWASHER (#10) Stainless Steel                                | 22  | 11     |
| 26996    | LOCKWASHER (#10) Stainless Steel CIRCUIT BREAKER TERMINAL           | 22  | 25     | 26996    | LOCKWASHER (#10) Stainless Steel DISTRIBUTOR TERMINAL           | 26  | 18     |
| 26996    | LOCKWASHER (#10) Stainless Steel IGNITION COIL TERMINAL             | 26  | 30     | 26996    | LOCKWASHER (#10) Stainless Steel TERMINAL BLOCK SCREW           | 72  | 23     |
| 26996    | LOCKWASHER (#10) Stainless Steel TERMINAL BLOCK SCREW               | 74  | 23     | 26996    | LOCKWASHER (#10) Stainless Steel TEMPERATURE SWITCH             | 88  | 2      |
| 28105    | WASHER PUMP STUD  | 80  | 10     | 28941    | NUT JAM - FLAME ARRESTOR  | 32  | 20     |
| 28941    | NUT JAM - FLAME ARRESTOR  | 40  | 15     | 29198    | SCREW AND LOCKWASHER (.312-18 x .875) ALTERNATOR BRACE          | 4   | 19     |
| 29245    | WASHER (.281 x .500 x .060) Stainless Steel                         | 4   | 4      | 29245    | WASHER (.281 x .500 x .060) Stainless Steel THROTTLE CABLE STUD | 42  | 35     |
| 29250    | NUT (.312-24) CARBURETOR STUD                                       | 40  | 21     | 29488    | NUT (#10-32)  | 52  | 6      |
| 30164    | WASHER (.192 x .375 x .0312) Stainless Steel IGNITION COIL TERMINAL | 26  | 29     | 30224    | O-RING (1.859 x .139)   | 52  | 7      |

# PARTS INDEX

| Part No. | Description  | Pg. | Ref.no | Part No. | Description  | Pg. | Ref.no |
|----------|--|-----|--------|----------|--|-----|--------|
| 30506    | NUT (.250-28)  | 48  | 26     | 30902    | SCREW (#6-32 x .750) SWITCH TO SHIFT BRACKET                   | 72  | 19     |
| 30902    | SCREW (#6-32 x .750) SWITCH TO SHIFT BRACKET                   | 74  | 19     | 31765    | CLAMP EXHAUST BELLOWS  | 78  | 2      |
| 31765    | CLAMP EXHAUST TUBE   | 78  | 4      | 31984    | SCREW (.312-18 x 1.375) FUEL PUMP                              | 30  | 4      |
| 32132    | SCREW (.375-16 x 1.750)  | 62  | 12     | 32132    | SCREW (.375-16 x 1.750)  | 66  | 12     |
| 32219    | NUT (.375-16) FLYWHEEL HOUSING ATTACHING STUD                  | 76  | 6      | 32219    | NUT (.375-16) MOUNTING BRACKET STUD                            | 84  | 7      |
| 32219    | NUT (.375-16)  | 86  | 10     | 32515    | SCREW (.437-20 x 2.50)   | 66  | 19     |
| 32773    | SCREW (.250-20 x .875) COVER                                   | 76  | 12     | 32780    | CLAMP HOSE ATTACHING   | 48  | 14     |
| 32780    | CLAMP HOSE ATTACHING   | 48  | 20     | 32780    | CLAMP HOSE ATTACHING   | 52  | 17     |
| 32783    | RETAINER Three Wire HIGH TENSION LEADS                         | 26  | 24     | 32784    | RETAINER Four Wire HIGH TENSION LEADS                          | 26  | 25     |
| 32802    | PLUG Pipe (.125-27) (NEW DESIGN)                               | 58  | -      | 32803    | PLUG Pipe (.375-18) Brass                                      | 48  | 3      |
| 32803    | PLUG Pipe (.375-18) Brass                                      | 52  | 2      | 32817    | SPRING THROTTLE RETURN   | 40  | 16     |
| 32857    | COTTER PIN SHIFT CABLE RETAINING                               | 72  | 6      | 32857    | COTTER PIN SHIFT CABLE RETAINING                               | 74  | 6      |
| 33036    | RETAINER COVER SCREW   | 32  | 17     | 33047    | SCREW CHOKE COVER  | 32  | 15     |
| 331792   | GASKET THERMOSTAT COVER  | 52  | 11     | 33186    | BUSHING ALTERNATOR SCREW                                       | 6   | 29     |
| 33198A1  | PLUG (3/4-14) EXHAUST MANIFOLD                                 | 46  | 3      | 3322070  | HOSE (48.00 Inches Bulk) TEE TO EXHAUST ELBOWS (17&quot;)      | 48  | 13     |
| 3322070  | HOSE (48.00 Inches Bulk) TEE TO EXHAUST ELBOWS                 | 52  | 16     | 33258    | WASHER Leather COMMUTATOR END FRAME                            | 8   | 16     |
| 33270    | BRUSH FIELD FRAME  | 8   | 21     | 33283    | HOLDER FIELD FRAME BRUSH GROUND                                | 8   | 20     |
| 33285    | SPRING FIELD FRAME BRUSH                                       | 10  | 24     | 33290    | RING Retaining PINION STOP COLLAR                              | 8   | 4      |
| 33290    | RING Retaining   | 12  | 13     | 33291    | COLLAR PINION STOP   | 8   | 5      |
| 33291    | COLLAR   | 12  | 12     | 33292    | COLLAR THRUST  | 8   | 3      |
| 33294    | SUPPORT GROUND AND INSULATED HOLDERS                           | 10  | 23     | 33317    | PLUNGER SHIFT LEVER  | 10  | 29     |
| 33369    | BUSHING DRIVE END HOUSING                                      | 8   | 2      | 33863    | PULLEY HARMONIC BALANCER (2 GROOVE)                            | 62  | 17     |
| 34213    | GASKET FUEL PUMP TO CYLINDER BLOCK                             | 30  | 3      | 34217    | SEAL VALVE   | 56  | 8      |
| 34270    | EXPANSION PLUG (1.625) Expansion                               | 58  | 3      | 34353    | SCREW (.375-16 x 1.00) ALTERNATOR/PUMP BRACKET                 | 6   | 32     |
| 34353    | SCREW (.375-16 x 1.00)   | 84  | 2      | 34354    | SCREW (.375-16 x 1.50) ALTERNATOR BRACKET                      | 6   | 24     |
| 34354    | SCREW (.375-16 x 1.50) LIFTING BRACKET                         | 62  | 5      | 34354    | SCREW (.375-16 x 1.50) LIFTING BRACKET                         | 66  | 5      |
| 34466    | KEY  | 60  | 18     | 344863   | GASKET DISTRIBUTOR   | 26  | 15     |
| 34500    | SCREW (.312-18 x .625)   | 58  | 20     | 34516    | NUT ROCKER VALVE ARM STUD                                      | 56  | 16     |
| 34518    | SHIELD VALVE SPRING CAP  | 56  | 10     | 34521    | STUD ROCKER VALVE ARM  | 56  | 18     |
| 34522    | STUD ROCKER VALVE ARM  | 56  | 18     | 34567    | WASHER PUMP STUD (BRACE SLOT)                                  | 82  | 4      |
| 34696    | SCREW (#8-32 x .750)   | 22  | 3      | 34714    | WASHER ALTERNATOR SCREW (13/16 O.D.)                           | 6   | 28     |
| 34714    | WASHER ALTERNATIVE SCREW                                       | 6   | 35     | 34714    | WASHER PULLEY BOLT   | 66  | 24     |
| 34897    | GASKET WATER PUMP MOUNTING                                     | 62  | 10     | 34897    | GASKET WATER PUMP MOUNTING                                     | 66  | 10     |
| 34948    | SPACER THROTTLE CABLE SCREW                                    | 34  | 32     | 34948    | SPACER THROTTLE CABLE SCREW                                    | 40  | 29     |
| 35048    | LOCKWASHER (.375) ALTERNATOR BRACE SCREW                       | 4   | 17     | 35048    | LOCKWASHER (.375) ALTERNATOR BRACKET SCREW                     | 6   | 25     |
| 35048    | LOCKWASHER (.375) BRACKET SCREW                                | 6   | 33     | 35048    | LOCKWASHER (.375) MOUNTING BRACKET SCREW                       | 22  | 17     |
| 35048    | LOCKWASHER (.375) MOUNTING BRACKET STUD                        | 22  | 22     | 35048    | LOCKWASHER (.375) IGNITION COIL SCREW                          | 26  | 33     |
| 35048    | LOCKWASHER (.375) THERMOSTAT HOUSING SCREW                     | 48  | 11     | 35048    | LOCKWASHER (.375) THERMOSTAT HOUSING SCREW                     | 52  | 14     |
| 35048    | LOCKWASHER (.375) PULLEY BOLT                                  | 62  | 23     | 35048    | LOCKWASHER (.375) PULLEY BOLT                                  | 66  | 23     |
| 35048    | LOCKWASHER (.375) PULLEY BOLT                                  | 66  | 23     | 35048    | LOCKWASHER (.375)  | 76  | 7      |
| 35048    | LOCKWASHER (.375) MOUNTING BRACKET SCREW                       | 84  | 3      | 35048    | LOCKWASHER (.375) MOUNTING BRACKET STUD                        | 84  | 6      |
| 35048    | LOCKWASHER (.375) BRACKET SCREW                                | 86  | 3      | 35048    | LOCKWASHER (.375)  | 86  | 9      |
| 35312    | PIN Dowel (1/4 In. Diameter)                                   | 58  | 17     | 35312    | PIN Dowel (1/4 In. Diameter)                                   | 60  | 5      |
| 35329    | ARM KIT Rocker   | 56  | 14     | 35331    | BALL Rocker Arm  | 56  | 15     |
| 35332    | WASHER PULLEY AND HARMONIC BALANCER BOLT                       | 62  | 21     | 35332    | WASHER PULLEY AND HARMONIC BALANCER BOLT                       | 66  | 21     |
| 35339    | SCREW (.312-18 x .750)   | 58  | 15     | 35354    | SCREEN ASSEMBLY OIL PUMP                                       | 70  | 3      |
| 35366    | SCREW FUEL PUMP MOUNTING PLATE                                 | 30  | 8      | 35366    | SCREW COVER  | 64  | 28     |
| 35366    | SCREW COVER  | 68  | 28     | 35462    | WASHER (.2656 x .625 x .0625) Stainless Steel SHIFT CABLE STUD | 72  | 10     |
| 35462    | WASHER (.2656 x .625 x .0625) Stainless Steel SHIFT CABLE STUD | 74  | 10     | 35465    | PIN Dowel (.312)   | 58  | 4      |
| 35765A1  | SCREW AND LOCKWASHER (.312-18 x .625)                          | 4   | 5      | 35786    | SCREW (.375-24 x 1.00) PULLEY                                  | 62  | 22     |
| 35830    | CLAMP HOSE ATTACHING   | 80  | 18     | 35830    | CLAMP HOSE ATTACHING   | 82  | 14     |
| 35870    | SCREW (2&quot;)  | 76  | 4      | 36183    | RETAINER OIL PUMP SHAFT  | 70  | 5      |

# PARTS INDEX

| Part No. | Description  | Pg. | Ref.no | Part No. | Description   | Pg. | Ref.no |
|----------|--|-----|--------|----------|---|-----|--------|
| 36184    | SHAFT OIL PUMP TO DISTRIBUTOR                      | 70  | 4      | 36305    | ELBOW (90 Degrees) EXHAUST MANIFOLD                 | 46  | 7      |
| 36382    | FITTING (.250-18 x .62) Brass PIPE - EXHAUST ELBOW | 46  | 10     | 37293    | SENDER ASSEMBLY Oil Pressure (DUAL)                 | 22  | 10     |
| 37493    | NUT (.375-24)                                      | 60  | 15     | 37612    | SCREW (.375-16 x 1.250) ALTERNATOR BRACKET          | 4   | 24     |
| 37612    | SCREW (.375-16 x 1.250) ALTERNATOR/PUMP BRACKET    | 6   | 32     | 37612    | SCREW (.375-16 x 1.250) MOUNTING BRACKET            | 22  | 19A    |
| 37612    | SCREW (.375-16 x 1.250)                            | 76  | 4      | 37619T   | V BELT  | 80  | 13     |
| 37619T   | V BELT POWER STEERING PUMP (52&quot;)              | 82  | 9      | 37682    | FITTING Elbow (45 Degree)                           | 58  | 9      |
| 38525    | STUD THROTTLE CABLE                                | 32  | 25     | 38525    | STUD THROTTLE CABLE                                 | 40  | 22     |
| 38559    | SWITCH   | 88  | 5      | 39107    | LOCKWASHER (.312-24) FUEL PUMP SCREW                | 30  | 5      |
| 39107    | LOCKWASHER (.312-24) WATER PUMP PULLEY SCREW       | 62  | 15     | 39107    | LOCKWASHER (.312-24) WATER PUMP PULLEY SCREW        | 66  | 15     |
| 39131    | LOCKWASHER (.437)                                  | 60  | 8      | 39131    | LOCKWASHER (.437) PULLEY AND HARMONIC BALANCER BOLT | 62  | 20     |
| 39131    | LOCKWASHER (.437)                                  | 66  | 20     | 39670A28 | SWITCH ASSEMBLY CUT-OUT                             | 72  | 18     |
| 39670A28 | SWITCH ASSEMBLY CUT-OUT                            | 74  | 18     | 40001188 | SCREW (M10 x 20) PUMP TO BRACKET                    | 80  | 7      |
| 40001188 | SCREW (M10 x 20) PUMP MOUNTING BRACE               | 82  | 7      | 40001192 | SCREW (M10 x 25) PUMP BRACE                         | 80  | 6      |
| 400211   | NUT (M5) Stainless Steel SOLENOID SWITCH TERMINAL  | 4   | 8      | 400248   | LOCKWASHER (M10)                                    | 80  | 8      |
| 400248   | LOCKWASHER (M10) BRACE SCREW                       | 82  | 8      | 41012    | STUD ENGINE MOUNTING                                | 84  | 11     |
| 410921   | GAUGE OIL LEVEL (DIPSTICK)                         | 70  | 15     | 41141A2  | PUMP ASSEMBLY Fuel                                  | 30  | 1      |
| 41150    | WASHER SUPPORT                                     | 84  | 12     | 41170T   | BRACKET MOUNTING                                    | 22  | 15     |
| 41329A3  | BRACKET THROTTLE CABLE                             | 40  | 19     | 41408    | SCREW (#10-32 x 1.50) BRACKET                       | 26  | 28     |
| 41408    | SCREW (#10-32 x 1.50) CLAMPING                     | 48  | 28     | 41408    | SCREW (#10-32 x 1.50) CLAMPING                      | 52  | 25     |
| 41471    | LOCKWASHER (.375) EXHAUST ELBOW SCREW              | 78  | 9      | 41642A3  | HOSE FLUID COOLER (3/4&quot; I.D.)                  | 48  | 19     |
| 41642A3  | HOSE FLUID COOLER (3/4&quot; I.D.)                 | 52  | 22     | 41812    | GASKET THERMOSTAT COVER                             | 48  | 8      |
| 41813    | GASKET EXHAUST ELBOW                               | 46  | 8      | 41815    | FILTER Oil  | 64  | 30     |
| 41815    | FILTER Oil   | 68  | 30     | 41877    | STUD (M10) POWER STEERING PUMP                      | 80  | 2      |
| 41877    | STUD (M10) POWER STEERING PUMP                     | 82  | 1A     | 41940    | HOSE THERMOSTAT COVER TO EXH. MANIFOLD (STARBOARD)  | 48  | 16     |
| 42453    | BRACKET LIFTING                                    | 62  | 4      | 42453    | BRACKET LIFTING                                     | 66  | 4      |
| 42454    | PLATE FUEL PUMP MOUNTING                           | 30  | 6      | 42457    | GASKET FUEL PUMP MOUNTING PLATE                     | 30  | 7      |
| 42554    | NIPPLE OIL PRESSURE SENDER                         | 22  | 14     | 42697    | BACKING PLATE CRANKSHAFT PULLEY                     | 64  | 31     |
| 42745    | BRACKET LIFTING                                    | 62  | 4      | 42745    | BRACKET LIFTING                                     | 66  | 4      |
| 42752    | MANIFOLD Intake                                    | 62  | 1      | 42752    | MANIFOLD Intake                                     | 66  | 1      |
| 42753    | GUARD INTAKE MANIFOLD                              | 62  | 7      | 42753    | GUARD INTAKE MANIFOLD                               | 66  | 7      |
| 42768    | NUT  | 20  | 1      | 42769    | LOCKWASHER  | 20  | 2      |
| 42770    | PULLEY   | 20  | 3      | 42771    | FAN   | 20  | 4      |
| 42772    | SPACER   | 20  | 5      | 42773    | THRU BOLT   | 20  | 7      |
| 42774    | BRACKET FRONT                                      | 20  | 6      | 42775    | ROTOR (INCLUDES BEARINGS)                           | 20  | 8      |
| 42776    | STATOR   | 20  | 9      | 42777    | BRACKET REAR  | 20  | 10     |
| 42778    | HEAT SINK (+)                                      | 20  | 11     | 42779    | HEAT SINK (-)                                       | 20  | 12     |
| 42780    | CONDENSER ASSEMBLY                                 | 20  | 13     | 42781    | BEARING KIT   | 20  | 16     |
| 42782    | HARDWARE KIT EXTERNAL                              | 20  | 15     | 42783    | HARDWARE KIT INTERNAL                               | 20  | 14     |
| 42784    | HOLDER KIT (INCLUDES SPRING & BRUSHES)             | 20  | 17     | 42785    | REGULATOR KIT                                       | 20  | 18     |
| 42796    | VALVE Oil Filter Bypass                            | 58  | 8      | 43276    | ELBOW (90 Degree) FUEL PUMP                         | 30  | 11     |
| 43749    | SCREW (.375-16 x 5.750) MANIFOLD                   | 46  | 13     | 44196T1  | FLAME ARRESTOR                                      | 32  | 6      |
| 44266T1  | PIPE Exhaust                                       | 78  | 7      | 44348    | TUBE EXHAUST  | 78  | 1      |
| 44354A3  | ELBOW ASSEMBLY Exhaust (7 DEGREES - 4&quot; O.D.)  | 46  | 9      | 44364A1  | BRACKET ASSEMBLY MOUNTING - ENGINE (FRONT)          | 84  | 1      |
| 45076    | NUT (#10-32) Brass TEMPERATURE SWITCH              | 88  | 3      | 45076    | NUT (#10-32) Brass PRESSURE SWITCH TERMINAL         | 88  | 6      |
| 45218    | SCREW (#10-32 x .380) INSULATOR                    | 24  | 28     | 45353    | SPACER PUMP SCREW                                   | 80  | 12     |
| 45599    | SPRING ACTUATING LEVER                             | 72  | 4      | 45599    | SPRING ACTUATING LEVER                              | 74  | 4      |
| 45862    | SCREW (#10-32 x .875) CIRCUIT BREAKER              | 22  | 27     | 45915    | TERMINAL BLOCK                                      | 24  | 38     |
| 46132    | WASHER BRACKET SCREW                               | 6   | 33     | 46132    | WASHER MOUNTING BRACKET SCREW                       | 84  | 3      |
| 46132    | WASHER BRACKET TO SCREW                            | 86  | 5      | 46438    | NUT (#10-32) INSULATOR SCREW                        | 24  | 30     |
| 46438    | NUT (#10-32) TERMINAL BLOCK SCREW                  | 24  | 41     | 46857    | STUD (5/16 x 1-7/8) CARBURETOR                      | 40  | 18     |
| 46932    | ELBOW OIL PRESSURE SENDER                          | 22  | 13     | 47277    | SCREW (.312-24 x .750) PULLEY TO WATER PUMP         | 62  | 14     |
| 47277    | SCREW (.312-24 x .750) PULLEY TO WATER PUMP        | 66  | 14     | 47441A1  | COVER THERMOSTAT                                    | 48  | 9      |
| 47508    | SLEEVE THERMOSTAT                                  | 48  | 7      | 47510    | GASKET THERMOSTAT                                   | 48  | 6      |
| 47511    | SLEEVE THERMOSTAT HOUSING                          | 48  | 2      | 47617    | PIN DRIVE GEAR                                      | 26  | 14     |

# PARTS INDEX

| Part No. | Description  | Pg. | Ref.no | Part No. | Description  | Pg. | Ref.no |
|----------|--|-----|--------|----------|--|-----|--------|
| 47688    | SCREW (.375-16 x 2.750)  | 62  | 12     | 47688    | SCREW (.375-16 x 2.750)  | 66  | 12     |
| 47715    | CLIP HOSE ATTACHING  | 48  | 17     | 47715    | CLIP HOSE ATTACHING  | 52  | 20     |
| 47910    | SCREW (1/4-28 x 5/8) STARTER SOLENOID (5/8&quot;)              | 24  | 33     | 47957    | CONNECTOR VENT HOSE (STRAIGHT)                                   | 32  | 11     |
| 48120A1  | V BELT (46 Inch) (46&quot;)                                    | 66  | 18     | 48130    | SCREW (.375-16 x 4.500) THERMOSTAT HOUSING                       | 48  | 10     |
| 48308    | SCREW (.375-24 x 3.750) ALTERNATOR                             | 6   | 26     | 48336    | PLUG Water Pump  | 62  | 11     |
| 48336    | PLUG Water Pump  | 66  | 11     | 48340    | PLUG (.250-18 x .41)   | 58  | 7      |
| 48347    | SPRING VALVE (INLET AND EXHAUST)                               | 56  | 9      | 48348    | CAP INLET VALVE  | 56  | 11     |
| 48424    | SCREW (.375-16 x 1.620) MOUNTING BRACKET                       | 86  | 4      | 48556    | BUSHING Reducer (.250 To .125) (NEW DESIGN)                      | 58  | -      |
| 48952    | SWITCH ASSEMBLY WATER TEMPATURE                                | 88  | 1      | 49076    | VALVE EXHAUST  | 56  | 6      |
| 49213A1  | BELT (44 Inch) ALTERNATOR DRIVE (44&quot;)                     | 62  | 24     | 49213A1  | BELT (44 Inch) (44&quot;)  | 66  | 18     |
| 49668    | SCREW (.250-20 x .750) MOUNTING BRACKET                        | 22  | 5      | 49734A1  | SENDER ASSEMBLY Water Temperature (DUAL)                         | 22  | 7      |
| 49845    | SCREW (.437-20 x 1.00)   | 60  | 7      | 49955    | GASKET DRAIN SCREW   | 70  | 9      |
| 49956    | SCREW Drain OIL PAN DRAIN                                      | 70  | 10     | 52095    | SPACER ALTERNATOR BRACE SCREW                                    | 4   | 21     |
| 52185    | CLAMP DISTRIBUTOR TO INTAKE MANIFOLD                           | 26  | 16     | 52188    | GROMMET ROCKER COVER   | 32  | 12     |
| 52188    | GROMMET ROCKER COVER   | 40  | 11     | 52200    | SCREW (1.625 In.) WATER PUMP TO CYLINDER BLOCK (1-1/2&quot;)     | 62  | 12     |
| 52200    | SCREW (1.625 In.) WATER PUMP TO CYLINDER BLOCK (1-1/2&quot;)   | 66  | 12     | 524572   | GASKET CARBURETOR TO INTAKE MANIFOLD                             | 40  | 25     |
| 524572   | GASKET   | 44  | -      | 5251914  | HOSE (53.00 Inches Bulk) PUMP TO OIL COOLER                      | 80  | 17     |
| 5251914  | HOSE (53.00 Inches Bulk) PUMP TO OIL COOLER                    | 82  | 13     | 530451   | GASKET THERMOSTAT HOUSING  | 48  | 4      |
| 530451   | GASKET THERMOSTAT HOUSING                                      | 52  | 8      | 53101    | CLAMP VENT HOSE  | 32  | 10     |
| 53101    | CLAMP VENT HOSE  | 40  | 9      | 53728    | SCREW (.375-16 x 4.75) EXHAUST MANIFOLD                          | 46  | 5      |
| 53833    | BOLT (.375-24 x 2.00) PULLEY                                   | 66  | 22     | 54090    | ELBOW CARBURETOR   | 32  | 18     |
| 54676    | RETAINER Two Wire HIGH TENSION LEADS                           | 26  | 23     | 54797    | KEY VALVE STEM   | 56  | 13     |
| 56328A1  | BRACKET FLUID COOLER (SHORT)                                   | 48  | 23     | 56681    | WASHER (.203 x .500 x .032) CIRCUIT BREAKER SCREW                | 24  | 29     |
| 56681    | WASHER (.203 x .500 x .032) THROTTLE CABLE SCREW               | 32  | 30     | 56681    | WASHER (.203 x .500 x .032) THROTTLE CABLE SCREW                 | 40  | 30     |
| 56720    | WASHER (.330 x .750 x .060) Stainless Steel SHIFT BRACKET STUD | 72  | 8      | 56720    | WASHER (.330 x .750 x .060) Stainless Steel SHIFT BRACKET STUD   | 74  | 8      |
| 56743    | SCREW (.375-24 x 3.125) ALTERNATOR                             | 6   | 34     | 56826    | STUD (1.5 In.) MOUNTING BRACKET                                  | 22  | 19     |
| 57369    | SPACER MOUNTING BRACKET STUD                                   | 22  | 23     | 57369    | SPACER MOUNTING STUD   | 84  | 14     |
| 5790811  | SLEEVE (10.00 Inches Bulk) ALTERNATOR LEADS                    | 4   | 22     | 57938    | BUSHING THROTTLE CABLE SCREW                                     | 34  | 31     |
| 57938    | BUSHING THROTTLE CABLE SCREW                                   | 40  | 28     | 58640    | SCREW (.375-16 x 1.25) EXHAUST ELBOW                             | 78  | 8      |
| 59137    | THERMOSTAT (140 Degrees) (143 DEGREES)                         | 48  | 5      | 59137    | THERMOSTAT (140 Degrees) (143 DEGREES)                           | 52  | 9      |
| 59571    | SPARK PLUG   | 26  | 22     | 59989    | CLIP AUTOMATIC CHOKE ROD   | 42  | 40     |
| 59994    | SCREW (5/8) AUTOMATIC CHOKE THERMOSTAT                         | 42  | 38     | 60300    | SCREW (.250-28 x .750) FLUID COOLER BRACKET                      | 48  | 25     |
| 60410    | SCREW (.375-16 x 4.250) THERMOSTAT HOUSING                     | 52  | 13     | 61112    | ROD CHOKE  | 42  | 39     |
| 62568    | SCREW (#10-16 x .375) TERMINAL BLOCK LEADS                     | 24  | 39     | 62826A6  | CABLE ASSEMBLY Ground (13.00 Inches) Black FLYWHEEL HOUSING STUD | 76  | 13     |
| 63341    | TEE NUT SHIFT CABLE STUD                                       | 72  | 13     | 63341    | TEE NUT  | 74  | 13     |
| 63709A1  | BOOT/TERMINAL KIT SPARK PLUG                                   | 26  | 21     | 638203   | BRACKET FLUID COOLER (LONG)                                      | 48  | 24     |
| 64015    | NUT (.250-20) ALTERNATOR TERMINAL                              | 4   | 14     | 64066    | STUD (.375-16 x 2.750) Special                                   | 76  | 5      |
| 64066    | STUD (.375-16 x 2.750) Special MOUNTING BRACKET TO ENGINE      | 84  | 4      | 64066    | STUD (.375-16 x 2.750) Special MOUNTING BRACKET                  | 86  | 6      |
| 65970    | BRACKET IGNITION COIL  | 26  | 27     | 65970    | BRACKET FLUID COOLER   | 48  | 27     |
| 65970    | BRACKET FLUID COOLER   | 52  | 24     | 66198    | COVER AUTOMATIC CHOKE  | 42  | 37     |
| 66686    | SCREW (#10-32 x 1.00) SENSOR                                   | 26  | 12     | 66986    | TERMINAL BLOCK   | 72  | 20     |
| 66986    | TERMINAL BLOCK   | 74  | 20     | 68101    | SCREW (.375-16 x 1.375) MOUNTING BRACKET                         | 86  | 2      |
| 68102    | LOCKWASHER (.750) MOUNTING BRACKET                             | 84  | 10     | 68102    | LOCKWASHER (.750)  | 86  | 14     |
| 68219    | NUT (#10-32) Stainless Steel                                   | 22  | 9      | 68219    | NUT (#10-32) Stainless Steel                                     | 22  | 12     |
| 68219    | NUT (#10-32) Stainless Steel CIRCUIT BREAKER TERMINAL          | 22  | 26     | 68219    | NUT (#10-32) Stainless Steel DISTRIBUTOR TERMINAL                | 26  | 19     |
| 68219    | NUT (#10-32) Stainless Steel IGNITION COIL TERMINAL            | 26  | 31     | 68402    | PIN (.250 x 1.13) SHIFT LEVER                                    | 72  | 16     |
| 68614    | WASHER BEARING PLATE   | 8   | 9      | 68878A6  | HORN ASSEMBLY Buzzer Alarm                                       | 88  | 9      |
| 69013    | SCREW (#10-16 x .880) HORN ATTACHING                           | 88  | 10     | 7000     | COVER ASSEMBLY FRONT   | 14  | 7      |
| 7003     | HOUSING REAR   | 14  | 22     | 7004     | FAN DRIVE END FRAME  | 14  | 4      |
| 7004     | FAN  | 18  | 4      | 7005     | BEARING Ball DRIVE END   | 14  | 8      |
| 7005     | BEARING Ball   | 18  | 7      | 7006     | RING DRIVE END BALL BEARING                                      | 14  | 9      |
| 7007     | RETAINER ROTOR SHAFT BEARING                                   | 14  | 21     | 7007     | RETAINER   | 18  | 13     |

# PARTS INDEX

| Part No.  | Description  | Pg. | Ref.no | Part No.  | Description   | Pg. | Ref.no |
|-----------|--|-----|--------|-----------|---|-----|--------|
| 7008      | DIODE TRIO   | 14  | 35     | 7009      | DIODE NEGATIVE                                      | 14  | 11     |
| 7010      | HEAT SINK POSITIVE   | 14  | 12     | 7011      | HOLDER ASSEMBLY Brush                               | 14  | 33     |
| 7012      | SPACER FAN TO DRIVE END FRAME                              | 14  | 5      | 70125A1   | COVER Choke   | 32  | 14     |
| 7013      | GASKET VOLTAGE REGULATOR                                   | 16  | 37     | 7014      | SLIP RING   | 14  | 17     |
| 7014      | SLIP RING  | 18  | 11     | 701431    | GASKET CARBURETOR TO INTAKE MANIFOLD                | 32  | 28     |
| 7015      | SCREW VOLTAGE REGULATOR ATTACHING                          | 16  | 39     | 7018      | SLEEVE INSULATOR                                    | 14  | 14     |
| 7019      | SPACER DIODE TRIO  | 14  | 36     | 7020      | SLEEVE INSULATOR                                    | 14  | 13     |
| 7021      | NUT CONDENSOR TERMINAL ATTACHING                           | 14  | 32     | 7021      | NUT   | 18  | 21     |
| 7022      | WASHER CONDENSOR TERMINAL STUD                             | 14  | 30     | 7022      | WASHER  | 18  | 24     |
| 7023      | INSULATOR REGULATOR TERMINAL STUD                          | 14  | 24     | 70236     | STUD (.312 x 1.500) CARBURETOR                      | 32  | 21     |
| 70237     | STUD (.312-18/.312-24 x 2.620) CARBURETOR                  | 32  | 21     | 7024      | WASHER CONDENSOR TERMINAL STUD                      | 14  | 25     |
| 7025      | NUT TERMINAL STUD  | 14  | 26     | 7026      | NUT TERMINAL ATTACHING                              | 14  | 29     |
| 7027      | NUT FAN AND PULLEY TO ROTOR                                | 14  | 1      | 7027      | NUT   | 18  | 1      |
| 7028      | NUT THRU BOLT ATTACHING                                    | 14  | 6      | 7029      | SCREW (5/8 In.) ROTOR SHAFT (5/8"quot;)             | 14  | 20     |
| 7030      | SCREW (1/2 In.) BRUSH HOLDER (1/2"quot;)                   | 14  | 34     | 7032      | LOCKWASHER TERMINAL STUD                            | 14  | 28     |
| 7033      | LOCKWASHER FAN AND PULLEY NUT                              | 14  | 2      | 7033      | LOCKWASHER  | 18  | 2      |
| 7034      | KEY ROTOR  | 14  | 15     | 7034      | KEY   | 18  | 9      |
| 7035      | CONDENSER  | 14  | 23     | 7036      | REGULATOR Voltage                                   | 16  | 38     |
| 71693     | ARMATURE   | 8   | 11     | 71694     | BUSHING BEARING PLATE                               | 8   | 8      |
| 71698     | LEVER SHIFT  | 10  | 26     | 72008     | NUT (.250-20) BATTERY TERMINAL                      | 4   | 6      |
| 72057     | SPACER (1.00 Outside Diameter x .125 x Thick) PUMP SCREW   | 80  | 9      | 7206      | WASHER ROTOR SCREW                                  | 14  | 18     |
| 7207      | LOCKWASHER ROTOR SCREW                                     | 14  | 19     | 7208      | WASHER TERMINAL STUD                                | 14  | 27     |
| 72202     | SCREW (#10-32 x 1.25) SENSOR                               | 26  | 12     | 72607     | SCREW (.250-20 x .375) OIL PAN                      | 70  | 13     |
| 72625     | CHOKE AUTOMATIC - CARBURETOR                               | 42  | 36     | 72626     | BOLT (2 In.) PULLEY AND HARMONIC BALANCER (2"quot;) | 62  | 19     |
| 72640     | PLUG Expansion   | 58  | 5      | 72821     | RETAINER WIRE                                       | 26  | 35     |
| 73287     | SCREW (#10-32 x .380) TERMINAL BLOCK                       | 72  | 22     | 73287     | SCREW (#10-32 x .380) TERMINAL BLOCK                | 74  | 22     |
| 7381563   | HOSE (34.00 Inches Bulk) PLASTIC - FUEL PUMP TO CARBURETOR | 30  | 10     | 73873A1   | PULLEY POWER STEERING PUMP                          | 80  | 4      |
| 73873A1   | PULLEY POWER STEERING PUMP                                 | 82  | 3      | 74822     | SCREW (.312-18 x 3.500) CARBURETOR                  | 40  | 17     |
| 75435A1   | POINTER  | 64  | 32     | 75435A1   | POINTER   | 68  | 32     |
| 75533     | SPRING   | 52  | 4      | 75664     | COIL ASSEMBLY                                       | 8   | 15     |
| 75665     | ARMATURE   | 8   | 11     | 75666     | HOUSING DRIVE END                                   | 8   | 1      |
| 75983     | PLUG VACUUM HOLE   | 62  | 3      | 75983     | PLUG VACUUM HOLE                                    | 66  | 3      |
| 76596     | SCREW (.250-20 x 1.250) AMPLIFIER PLATE                    | 24  | 47     | 76630     | SCREW (.250-20 x 1.00) AMPLIFIER                    | 24  | 43     |
| 77456A2   | BRACKET THROTTLE CABLE                                     | 32  | 24     | 7803A4    | COIL IGNITION                                       | 26  | 26     |
| 78945     | J CLAMP Harness Support-FLYWHEEL HOUSING STUD              | 76  | 9      | 78945     | J CLAMP Harness Support                             | 86  | 7      |
| 79205     | DRIVE ASSEMBLY CLUTCH                                      | 8   | 6      | 79208     | GROMMET FIELD COIL - FIELD FRAME                    | 8   | 14     |
| 79211     | FRAME COMMUTATOR END - LOWER                               | 8   | 17     | 79212     | COIL ASSEMBLY                                       | 8   | 15     |
| 79396     | PLATE BEARING  | 8   | 7      | 79695     | BOOT Insulator - Black STARTER TERMINAL             | 4   | 18     |
| 79989     | NUT (#10-24) Stainless Steel ALTERNATOR TERMINAL           | 4   | 12     | 801797    | BEARING (SET)                                       | 58  | 6      |
| 804844002 | CARBURETOR REPAIR KIT For Pump 9655                        | 36  | -      | 811858    | BEARING   | 60  | 16     |
| 811859    | BEARING  | 60  | 16     | 812428A3  | STARTER MOTOR ASSEMBLY                              | 4   | 1      |
| 812428A3  | STARTER MOTOR ASSEMBLY                                     | 12  | 1      | 812600A2  | COVER ASSEMBLY                                      | 76  | 10     |
| 812776A1  | DECAL SET COVER  | 32  | 5      | 812776A2  | DECAL SET COVER                                     | 40  | 4      |
| 813642    | SCREW  | 4   | 2      | 813720A11 | SPARK PLUG WIRE KIT                                 | 26  | 20     |
| 8137761   | GEAR DRIVE   | 26  | 13     | 813961    | HOUSING Front FRONT                                 | 18  | 6      |
| 813962    | ROTOR  | 18  | 10     | 813963    | STATOR  | 18  | 12     |
| 813964    | HOUSING Rear REAR  | 18  | 14     | 813965    | DIODE FIELD   | 18  | 17     |
| 813966    | DIODE BRIDGE   | 18  | 16     | 813967    | STRAP (D+)  | 18  | 34     |
| 813968    | BRUSH ASSEMBLY   | 18  | 33     | 813969    | SPACER  | 18  | 5      |
| 813970    | GASKET   | 18  | 35     | 813971    | COVER   | 18  | 22     |
| 813972    | CAPACITOR  | 18  | 25     | 813973    | STRAP   | 18  | 20     |
| 813974    | REGULATOR Voltage  | 18  | 29     | 813975    | THRU BOLT   | 18  | 15     |
| 813976    | NUT  | 18  | 19     | 813977    | NUT   | 18  | 31     |
| 813978    | SCREW  | 18  | 8      | 813979    | SCREW   | 18  | 27     |
| 813980    | SCREW  | 18  | 32     | 813981    | SCREW   | 18  | 18     |
| 813982    | SCREW  | 18  | 26     | 813983    | SCREW   | 18  | 28     |
| 813984    | WASHER   | 18  | 23     | 813985    | WASHER  | 18  | 30     |
| 813995A1  | GUIDE ASSEMBLY Spring                                      | 74  | 24     | 814001    | PIN Clevis - SHIFT LEVER                            | 74  | 16     |



# PARTS INDEX

| Part No. | Description   | Pg. | Ref.no | Part No. | Description   | Pg. | Ref.no |
|----------|---|-----|--------|----------|---|-----|--------|
| 814002   | STUD SHIFT CABLE  | 74  | 2      | 814003   | SPACER SHIFT CABLE STUD   | 74  | 9      |
| 814464   | FRAME   | 12  | 2      | 814465   | BEARING Ball  | 12  | 3      |
| 814466   | HOLDER Brush  | 12  | 4      | 814467   | SPRING  | 12  | 5      |
| 814468   | SCREW   | 12  | 18     | 814469   | ARMATURE  | 12  | 6      |
| 814470   | SHIELD  | 12  | 7      | 814471   | GEAR AND BEARING  | 12  | 8      |
| 814472   | SHAFT/GEAR ASSEMBLY   | 12  | 10     | 814473   | DRIVE   | 12  | 11     |
| 814474   | COLLAR  | 12  | 14     | 814475   | HOUSING Drive Includes starter switch, plunger, return spring and shift lever | 12  | 15     |
| 814476   | BUSHING   | 12  | 16     | 814477   | THRU BOLT   | 12  | 19     |
| 814479   | BEARING Roller  | 12  | 9      | 814504   | ROCKER COVER  | 56  | 1      |
| 816295T  | V BELT  | 80  | 13     | 816460   | GASKET CYLINDER HEAD  | 56  | 19     |
| 816565   | PLUG Cup (.468)   | 58  | 3      | 818465   | BEARING SET 5 Pair  | 60  | 3/4    |
| 818466   | BEARING SET 5 Pair  | 60  | 3/4    | 818467   | BEARING SET 5 Pair  | 60  | 3/4    |
| 818468   | BEARING SET 5 Pair  | 60  | 3/4    | 818485   | KEY   | 60  | 18     |
| 8327     | GASKET INLET FUEL NUT   | 44  | 14     | 85013    | BRACE ALTERNATOR ADJUSTING  | 4   | 15     |
| 8535     | REPAIR KIT Carburetor   | 44  | 12     | 8540     | THROTTLE BODY KIT   | 44  | 3      |
| 8541     | LINK/LEVER KIT Choke  | 44  | 4      | 8546     | FLOAT KIT   | 44  | 9      |
| 8548     | NEEDLE/SEAT KIT   | 44  | 11     | 8557     | SCREW KIT AIR HORN/THROTTLE BODY  | 44  | 15     |
| 85785A2  | ARRESTOR ASSEMBLY Flame CARBURETOR                            | 40  | 5      | 85803    | VALVE EXHAUST   | 56  | 6      |
| 86045    | TIMER TEMPERATURE BUZZER                                      | 88  | 8      | 86047A11 | HOUSING KIT   | 88  | 7      |
| 86047A16 | HOUSING KIT   | 88  | 7      | 86271A1  | FLAME ARRESTOR CARBURETOR   | 32  | 3      |
| 8635     | ROTOR ASSEMBLY  | 14  | 16     | 8636     | STATOR ASSEMBLY   | 14  | 10     |
| 8637     | PULLEY DRIVE END FRAME  | 14  | 3      | 8637     | PULLEY  | 18  | 3      |
| 8638     | THRU BOLT   | 14  | 31     | 86400    | WASHER SEALING  | 32  | 7      |
| 86400    | WASHER SEALING  | 40  | 6      | 87108    | HOSE Molded THERMOSTAT HOUSING TO WATER PUMP                                  | 48  | 29     |
| 87108    | HOSE Molded THERMOSTAT HOUSING TO WATER PUMP                  | 52  | 26     | 87115A1  | BRACKET ALTERNATOR/PUMP   | 4   | 23     |
| 87268    | CLAMP HOSE ATTACHING  | 48  | 30     | 87268    | CLAMP HOSE ATTACHING  | 52  | 27     |
| 87290A4  | HOUSING ASSEMBLY  | 48  | 1      | 8767     | FILTER KIT Fuel   | 44  | 8      |
| 88794    | HOSE THERMOSTAT HOUSING TO FLUID COOLER                       | 48  | 18     | 8957     | PISTON KIT  | 44  | 6      |
| 89879    | O-RING (.301 x .064) PRESSURE HOSES END                       | 80  | 15     | 89879    | O-RING (.301 x .064) PRESSURE HOSE END  | 82  | 11     |
| 90081T1  | PULLEY HARMONIC BALANCER                                      | 66  | 17     | 90096A1  | STUD ASSEMBLY (#10-32 x Special)  | 26  | 34     |
| 9030     | PIN FLOAT   | 36  | 17     | 9031     | FLOAT   | 36  | 16     |
| 9032     | SPRING FUEL STRAINER  | 36  | 5      | 9033     | STRAINER  | 36  | 4      |
| 9034     | CONNECTOR INLET   | 36  | 6      | 9035     | LEVER ACCELERATOR PUMP  | 36  | 9      |
| 9036     | ARM ACCELERATOR PUMP  | 36  | 13     | 9037     | ARM Choke   | 36  | 3      |
| 9038     | PLATE Baffle  | 36  | 15     | 9039     | WASHER PUMP LEVER   | 36  | 10     |
| 9040     | WASHER PUMP LEVER   | 36  | 11     | 9041     | ROD Pump  | 36  | 8      |
| 9042     | ROD Choke   | 36  | 7      | 9044     | PACKING SET   | 36  | 31     |
| 9045     | SCREW KIT   | 36  | 30     | 9046     | PUMP KIT  | 36  | 12     |
| 9048     | CAM FAST IDLE   | 36  | 22     | 9049     | SHAFT FAST IDLE CAM   | 36  | 23     |
| 90494    | HOSE PRESSURE (FITTINGS ON BOTH ENDS)                         | 80  | 14     | 90494    | HOSE PRESSURE (FITTINGS ON BOTH ENDS)   | 82  | 10     |
| 90496A5  | PUMP ASSEMBLY POWER STEERING                                  | 82  | 1      | 90517    | NUT (M10) MOUNTING STUD   | 80  | 11     |
| 90517    | NUT (M10) MOUNTING STUD                                       | 82  | 5      | 9052     | SCREW IDLE ADJUSTING  | 36  | 25     |
| 9053     | SPRING IDLE ADJUSTING SCREW                                   | 36  | 26     | 9054     | SPRING THROTTLE ADJUSTING SCREW   | 36  | 28     |
| 9058     | JET Main  | 36  | 18     | 9060     | SCREW THROTTLE ADJUSTING  | 36  | 27     |
| 9061     | GASKET SET  | 36  | 29     | 90747A15 | DISTRIBUTOR ASSEMBLY  | 26  | 1      |
| 90806    | SENDER  | 22  | 10     | 90841A1  | PULLEY (1 GROOVE)   | 62  | 18     |
| 90926    | SCREW (#10-32 x .810) DISTRIBUTOR CAP                         | 26  | 3      | 91019A3  | SENSOR ASSEMBLY   | 26  | 11     |
| 9111     | AIR HORN KIT  | 44  | 1      | 9112     | FLOAT BOWL KIT  | 44  | 2      |
| 9113     | PRIMARY VACUUM KIT  | 44  | 5      | 91842    | STUD FLAME ARRESTOR   | 40  | 14     |
| 92152    | SPACER (.27 x .75 x .38) AMPLIFIER SCREW                      | 24  | 45     | 92497A3  | ALTERNATOR ASSEMBLY (55 Ampere) (55 AMP)                                      | 4   | 9      |
| 92497A3  | ALTERNATOR ASSEMBLY (55 Ampere) (55 AMP)                      | 14  | -      | 92497A3  | ALTERNATOR ASSEMBLY (55 Ampere) (55 AMP)                                      | 18  | -      |
| 92499    | FITTING (45 Degrees) EXHAUST MANIFOLD                         | 46  | 7      | 92499    | FITTING (45 Degrees) EXHAUST ELBOW (45 DEGREES)                               | 46  | 12     |
| 92850    | CLAMP BRACKET SCREW   | 22  | 18     | 92850    | CLAMP   | 76  | 9      |
| 92850    | CLAMP WIRING HARNESS  | 84  | 5      | 9331512  | HOSE (11-1/4")  | 32  | 9      |
| 9331512  | HOSE (11-1/4")  | 40  | 8      | 93320A3  | RISER KIT Exhaust Elbow (3 In.)   | 46  | -      |
| 93322A3  | RISER KIT Exhaust Elbow (6 In.) (6")(Exhaust Elbow Extension) | 46  | -      | 9354A2   | CARBURETOR ASSEMBLY (ROCHESTER)   | 40  | 12     |
| 9354A2   | CARBURETOR ASSEMBLY   | 44  | -      | 9407     | SEAT KIT Inlet  | 36  | 14     |

# PARTS INDEX

| Part No. | Description  | Pg. | Ref.no | Part No. | Description   | Pg. | Ref.no |
|----------|--|-----|--------|----------|---|-----|--------|
| 9427     | CYLINDER HEAD  | 56  | 17     | 9429     | CONNECTING ROD ASSEMBLY   | 60  | 13     |
| 94330    | NUT (.250-20) Brass  | 24  | 37     | 9435     | JET Power   | 36  | 19     |
| 9436     | VENTURI  | 36  | 20     | 9437     | OVERHAUL KIT For Pump 9046  | 36  | -      |
| 9438     | METERING JET AND ROD KIT   | 44  | 7      | 94435    | BOLT (.375-16 x 4.600)  | 4   | 2      |
| 9517     | CRANKSHAFT   | 60  | 17     | 9518     | FLYWHEEL  | 60  | 6      |
| 9565A1   | CARBURETOR ASSEMBLY (MERCARB)  | 32  | 13     | 9565A1   | CARBURETOR ASSEMBLY   | 36  | -      |
| 95805    | CAP POWER STEERING PUMP  | 80  | 3      | 95805    | CAP POWER STEERING PUMP   | 82  | 2      |
| 96054    | SOLENOID ASSEMBLY Starter  | 24  | 32     | 96112    | STUD (.250-28 x 2.00)   | 40  | 32     |
| 96112    | STUD (.250-28 x 2.00)  | 72  | 12     | 96112    | STUD (.250-28 x 2.00)   | 74  | 12     |
| 96113    | SCREW (#10-32 x .880) Stainless Steel TERMINAL BLOCK                   | 72  | 21     | 96113    | SCREW (#10-32 x .880) Stainless Steel TERMINAL BLOCK                | 74  | 21     |
| 96274    | GASKET   | 76  | 11     | 96457    | WASHER Phenolic (.27 x .81 x .062) ALTERNATOR TERMINAL              | 4   | 11     |
| 9655     | PUMP KIT Accelerator   | 36  | 12     | 9658     | E-RING  | 36  | 32     |
| 9669     | PUMP KIT   | 44  | 10     | 96819T   | INSULATOR CIRCUIT BREAKER   | 24  | 31     |
| 9686     | PISTON ASSEMBLY  | 60  | 1      | 9687     | PISTON ASSEMBLY   | 60  | 1      |
| 9690     | CYLINDER BLOCK   | 58  | 1      | 9691     | CAMSHAFT  | 58  | 11     |
| 97012    | STUD FLAME ARRESTOR  | 32  | 19     | 9723     | GASKET KIT  | 44  | 13     |
| 97257A1  | SENDER ASSEMBLY Water Temperature (3/8-18)                             | 22  | 7      | 97258A1  | SENDER ASSEMBLY (1/2-14)  | 22  | 7      |
| 97282    | CONNECTOR CARBURETOR   | 40  | 13     | 97335    | SEAL Oil - COVER  | 62  | 26     |
| 97335    | SEAL Oil - COVER   | 68  | 26     | 97661    | VALVE Intake-Standard INLET   | 56  | 7      |
| 97662    | VALVE INLET  | 56  | 7      | 97664    | SEAL VALVE  | 56  | 8      |
| 97850    | ELBOW 90 Degree Breather - VENT HOSE                                   | 32  | 11     | 97850    | ELBOW 90 Degree Breather - VENT HOSE TO ROCKER COVER                | 40  | 10     |
| 982421   | GASKET DISTRIBUTOR CAP   | 26  | 4      | 98253    | SCREW (.250-20 x .500) CLIP TO CYLINDER BLOCK                       | 70  | 17     |
| 98260    | SCREW (.375-16 x .620) MOUNTING BRACKET                                | 22  | 16     | 98260    | SCREW (.375-16 x .620) IGNITION COIL                                | 26  | 32     |
| 98261    | SCREW (.375-16 x .750) ALTERNATOR BRACE                                | 4   | 16     | 98323A6  | BASE ASSEMBLY ENGINE MOUNT  | 84  | 8      |
| 98475    | BALL Nylon   | 52  | 5      | 98477A2  | VALVE ASSEMBLY  | 48  | 12     |
| 98493A2  | BRACKET MOUNTING   | 22  | 4      | 98509    | SCREW THROTTLE CABLE TO CARBURETOR                                  | 32  | 29     |
| 98509    | SCREW THROTTLE CABLE (1-1/8")  | 40  | 26     | 98644A1  | BRACE PUMP MOUNTING   | 82  | 6      |
| 98798    | STUD SHIFT CABLE   | 72  | 2      | 98820    | SPACER SHIFT CABLE STUD   | 72  | 9      |
| 9884339  | HOSE ASSEMBLY (72.00 Inches Bulk) RETURN (FITTINGS ON ONE END)         | 80  | 16     | 9884339  | HOSE ASSEMBLY (72.00 Inches Bulk) RETURN (FITTINGS ON ONE END)      | 82  | 12     |
| 98880    | SPRING SHIFT CABLE STUD  | 72  | 7      | 98880    | SPRING SHIFT CABLE STUD   | 74  | 7      |
| 99237A10 | BRACKET ASSEMBLY   | 72  | 1      | 99237A10 | BRACKET ASSEMBLY  | 74  | 1      |
| 99297A2  | MOUNT Rubber FLYWHEEL HOUSING  | 76  | 2      | 99322    | SPACER RUBBER MOUNT - FLYWHEEL HOUSING                              | 76  | 3      |
| 99356A2  | COOLER ASSEMBLY POWER STEERING FLUID                                   | 48  | 21     | 99356A2  | COOLER ASSEMBLY POWER STEERING FLUID                                | 52  | 23     |
| 99510A11 | HARNES ASSEMBLY  | 22  | 1      | 99746A8  | MANIFOLD ASSEMBLY Exhaust   | 46  | 1      |
| 99755A2  | LINE ASSEMBLY Fuel FUEL PUMP TO CARBURETOR                             | 30  | 12     | 99757    | GASKET EXHAUST MANIFOLD TO CYLINDER HEAD                            | 46  | 4      |
| N.S.S.   | Not Sold Separate SCREW, BEARING PLATE (DELCO REMY #1972786)           | 8   | 10     | N.S.S.   | Not Sold Separate SCREW, BEARING PLATE (DELCO REMY #1984000)        | 8   | 10     |
| N.S.S.   | Not Sold Separate SHOE, POLE - FIELD COIL (DELCO REMY #1931129)        | 8   | 12     | N.S.S.   | Not Sold Separate SHOE, POLE - FIELD COIL (DELCO REMY #810601)      | 8   | 12     |
| N.S.S.   | Not Sold Separate SCREW, POLE SHOE TO FIELD COIL (DELCO REMY #1968396) | 8   | 13     | N.S.S.   | Not Sold Separate BOLT, THRU (DELCO REMY #1941111)                  | 8   | 18     |
| N.S.S.   | Not Sold Separate BOLT, THRU (DELCO REMY #1939970)                     | 8   | 18     | N.S.S.   | Not Sold Separate HOLDER, INSULATED (DELCO REMY #800091)            | 8   | 19     |
| N.S.S.   | Not Sold Separate SCREW, BRUSH LEAD (DELCO REMY #1967747)              | 8   | 22     | N.S.S.   | Not Sold Separate SCREW, BRUSH LEAD (DELCO REMY #443527)            | 10  | 22     |
| N.S.S.   | Not Sold Separate PIN, DOWEL - FIELD FRAME (DELCO REMY #1985696)       | 10  | 25     | N.S.S.   | Not Sold Separate STUD, SHIFT LEVER (DELCO REMY #1945804)           | 10  | 27     |
| N.S.S.   | Not Sold Separate RETAINING RING (DELCO REMY #11505767)                | 10  | 28     | N.S.S.   | Not Sold Separate PIN, PLUNGER TO SHIFT LEVER (DELCO REMY #1987049) | 10  | 30     |
| N.S.S.   | Not Sold Separate SPRING, PLUNGER RETURN (DELCO REMY #1978281)         | 10  | 31     | N.S.S.   | Not Sold Separate SCREW, SOLENOID SWITCH (DELCO REMY #9413260)      | 10  | 32     |
| N.S.S.   | Not Sold Separate Nut  | 12  | 17     | N.S.S.   | Not Sold Separate Air Horn Assembly                                 | 36  | 1      |
| N.S.S.   | Not Sold Separate Choke Housing Assembly                               | 36  | 2      | N.S.S.   | Not Sold Separate BODY, CARBURETOR                                  | 36  | 21     |
| N.S.S.   | Not Sold Separate Flange Assembly                                      | 36  | 24     | N.S.S.   | Not Sold Separate STUD, GUARD TO INTAKE MANIFOLD (GM #3959544)      | 62  | 6      |
| N.S.S.   | Not Sold Separate STUD, WATER PUMP TO CYLINDER BLOCK (GM #3759755)     | 62  | 12     | N.S.S.   | Not Sold Separate stud, GUARD TO INTAKE MANIFOLD (GM #3959544)      | 66  | 6      |
| N.S.S.   | Not Sold Separate STUD, WTAER PUMP TO CYLINDER BLOCK (GM #3759755)     | 66  | 12     |          |   |     |        |