

Parts Manual

Cat.# 90-83498799

Revised 09-10-2020

TABLE OF CONTENTS

Cat.# 90-83498799

Service/Support Material	1
Serpentine Belts	3
Starter Motor (Delco-PG260F1)	5
Alternator and Brackets (Mando)	7
Alternator Components (Mando)	9
Alternator and Brackets (Delco)	11
Wiring Harness (Engine)	13
Wiring Harness (EFI)	15
ECM & Electrical Brackets (S/N-0L012009 - 0L359999)	17
ECM & Electrical Brackets (S/N-0L360000 & Up)	19
Electrical Components	21
Distributor (S/N-0L012009 - 0L359999)	23
Distributor (S/N-0L360000 & Up)	25
Fuel Pump and Fuel Cooler	29
Fuel Filter	31
Throttle Linkage	33
Throttle Body	35
Exhaust Manifold and Exhaust Elbow (2 Piece)	37
Exhaust Manifold (1 Piece)	39
Standard Cooling System	41
Closed Cooling System	45
Sea Water Pump (Use With Bravo Engines)	49
Cylinder Head and Rocker Cover	51
Cylinder Block and Camshaft	53
Crankshaft and Pistons	57
Intake Manifold and Front Cover	59
Oil Pan and Oil Pump	63
Shift Bracket (Alpha Engines)	65
Shift Bracket (Bravo Engines)	67
Remote Oil Filter	69
Power Steering Components	71
Exhaust System (Use With 2 Piece Manifold)	73
Exhaust System (Use With 1 Piece Manifold)	75
Engine Mounting	77
Flywheel Housing	79
Mercathode Components	81
Oil Reservoir Bottle and Bracket	83
Swiss Emissions Parts (BSO1 & SAV1)	85

TABLE OF CONTENTS

Decals.....87

Cat.# 90-83498799

Service/Support Material

Ref #	Part Class	Part Number	Description	Comments	Qty	Note
-	0090	83498799	PARTS MANUAL 4.3L EFI ALPHA/BRAVO (262 C.I.D. GEN+)		1	
-	0090	8613281	SERVICE MANUAL		1	
-	0090	860168001	OWNERS MANUAL	(ALPHA) (BRAVO)	1	

Service/Support Material

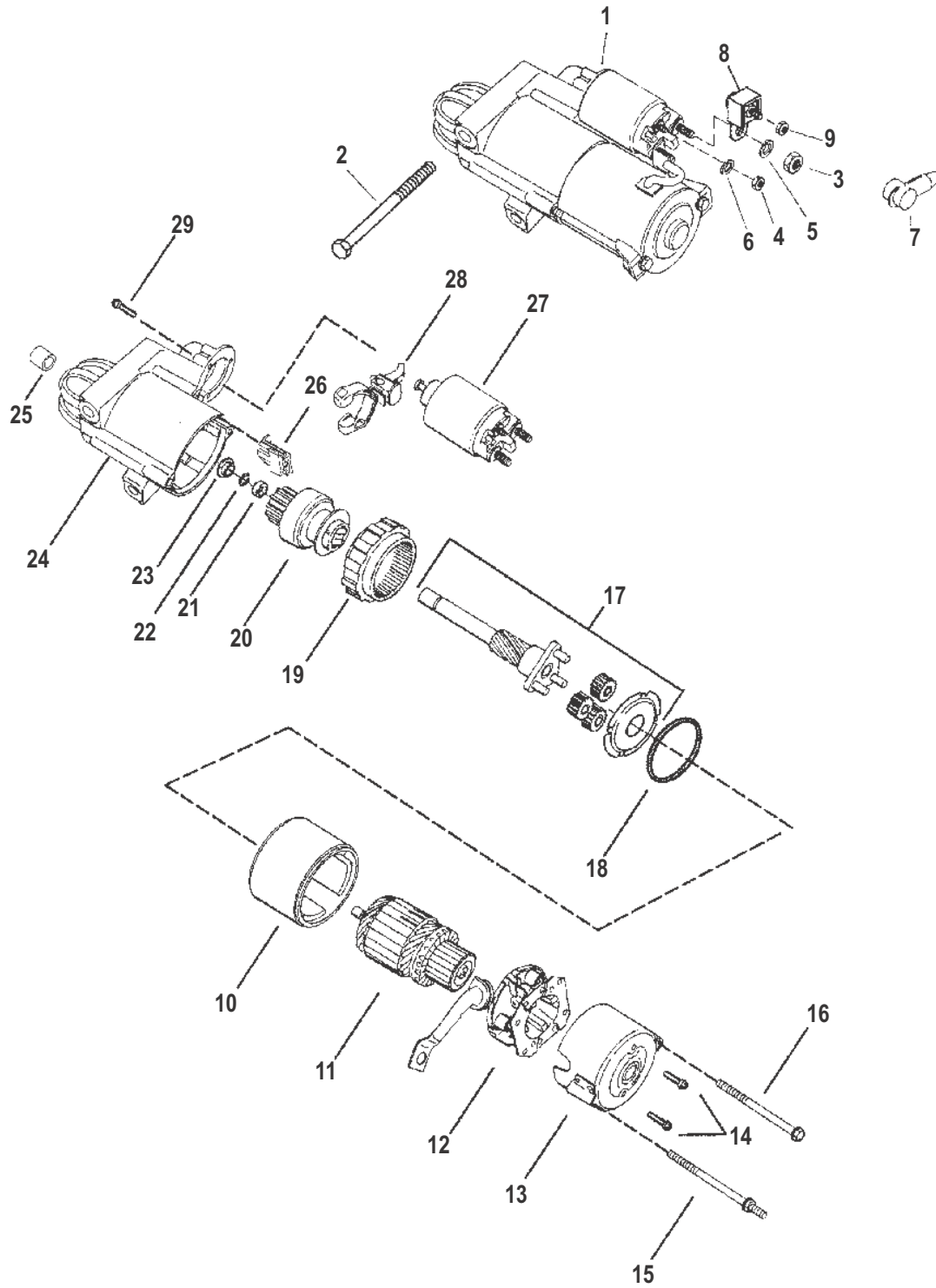
Serpentine Belts

Serpentine Belts

Ref #	Part Class	Part Number	Description	Comments	Qty	Note
-	0057	8077552	BELT Serpentine	(ALPHA)(STANDARD COOLING)(P/S w/ METAL 4-3/4 in. PULLEY) [0L010044] THRU [0L618999]	1	
-	0057	8077551	BELT Serpentine	(BRAVO)(STANDARD COOLING)(P/S w/ METAL 4-3/4 in. PULLEY) [0L010044] THRU [0L618999]	1	
-	0057	8077556	BELT Serpentine	(ALPHA)(CLOSED COOLING)(P/S w/ METAL 4-3/4 in. PULLEY) [0L010044] THRU [0L618999]	1	
-	0057	8077553	BELT Serpentine	(BRAVO)(CLOSED COOLING)(P/S w/ METAL 4-3/4 in. PULLEY) [0L010044] THRU [0L618999]	1	
-	0057	861758	BELT Serpentine	(ALPHA)(STANDARD COOLING)(P/S w/ METAL 5-3/4 in. PULLEY) [0L010044] THRU [0L618999]	1	
-	0057	861757	BELT Serpentine	(BRAVO)(STANDARD COOLING)(P/S w/ METAL 5-3/4 in. PULLEY) [0L010044] THRU [0L618999]	1	
-	0057	861759	BELT Serpentine	(ALPHA)(CLOSED COOLING)(P/S w/ METAL 5-3/4 in. PULLEY) [0L010044] THRU [0L618999]	1	
-	0057	861049	BELT Serpentine	(BRAVO)(CLOSED COOLING)(P/S w/ METAL 5-3/4 in. PULLEY) [0L010044] THRU [0L618999]	1	
-	0057	8077555	BELT Serpentine	(ALPHA)(STANDARD COOLING)(HYDRAULIC STEERING) [0L010044] THRU [0L618999]	1	
-	0057	8077555	BELT Serpentine	(ALPHA)(CLOSED COOLING)(HYDRAULIC STEERING) [0L010044] THRU [0L618999]	1	
-	0057	862086	BELT Serpentine	(ALPHA)(POWER STEERING) [0L619000] & Up	1	
-	0057	862087	BELT Serpentine	(BRAVO)(POWER STEERING) [0L619000] & Up	1	
-	0057	862088A1	BELT Serpentine	(ALPHA)(COMPACT HYDRAULIC STEERING OR w/o POWER STEERING) [0L619000] & Up	1	

Serpentine Belts

Starter Motor (Delco-PG260F1)



14031

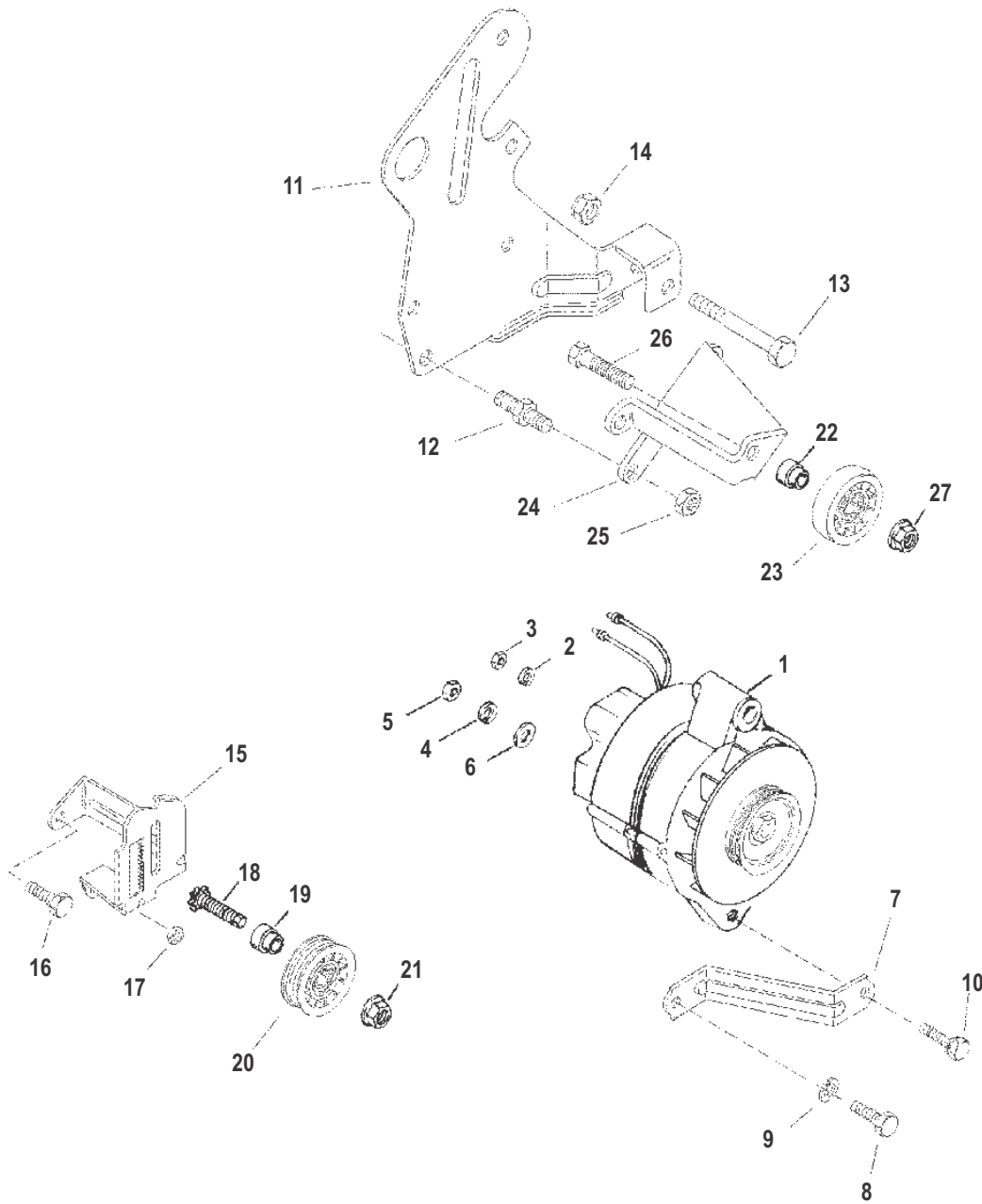
Starter Motor (Delco-PG260F1)

Ref #	Part Class	Part Number	Description	Comments	Qty	Note
1	0050	807904A1	STARTER MOTOR ASSEMBLY	(DELCO PG260F1)	1	[1]
2	0010	8053432	SCREW (.375-16 x 4.33)		2	
2	0010	861788	SCREW (M10 x 1.5)	(METRIC)	2	[2]
3	0011	806949	NUT (M8-1.5)		1	
4	0011	400211	NUT (M5) Stainless Steel		1	
5	0013	39107	LOCKWASHER (.312-24)		1	
6	0013	26996	LOCKWASHER (#10) Stainless Steel		2	
7	0085	79695	BOOT Insulator - Black		1	
8	0088	79023A91	FUSE ASSEMBLY 90 Ampere		1	
9	0011	13438	NUT (.250-28)		1	
10		NSS	NOT SOLD SEPARATE Field and Frame Kit		1	
11		NSS	NOT SOLD SEPARATE Armature		1	
12		NSS	NOT SOLD SEPARATE Brush Holder and Spring		1	
13		NSS	NOT SOLD SEPARATE Frame		1	
14		NSS	NOT SOLD SEPARATE Screw		2	
15	0016	803004	THRU BOLT w/ Hex Shoulder		1	
16	0010	803005	THRU BOLT		1	
17		NSS	NOT SOLD SEPARATE Shaft and Gear		1	
18		NSS	NOT SOLD SEPARATE Gasket		1	
19		NSS	NOT SOLD SEPARATE Gear		1	
20	0000	803003	DRIVE		1	
21	0000	33291	COLLAR		1	
22	0053	33290	RING Retaining		1	
23		NSS	NOT SOLD SEPARATE Collar-Thrust		1	
24	0000	803001T	HOUSING Drive		1	
25	0023	814476	BUSHING		1	
26		NSS	NOT SOLD SEPARATE Grommet		1	
27	0000	809463A1	SOLENOID KIT		1	
28		NSS	NOT SOLD SEPARATE Lever		1	
29		NSS	NOT SOLD SEPARATE Screw		3	

PART NOTES:

- [1] - Alternate part numbers:
807904A 1QS
863007R01Reman
- [2] - METRIC FASTENER CHANGE (S/N 0L320000 AND UP)

Alternator and Brackets (Mando)



14032

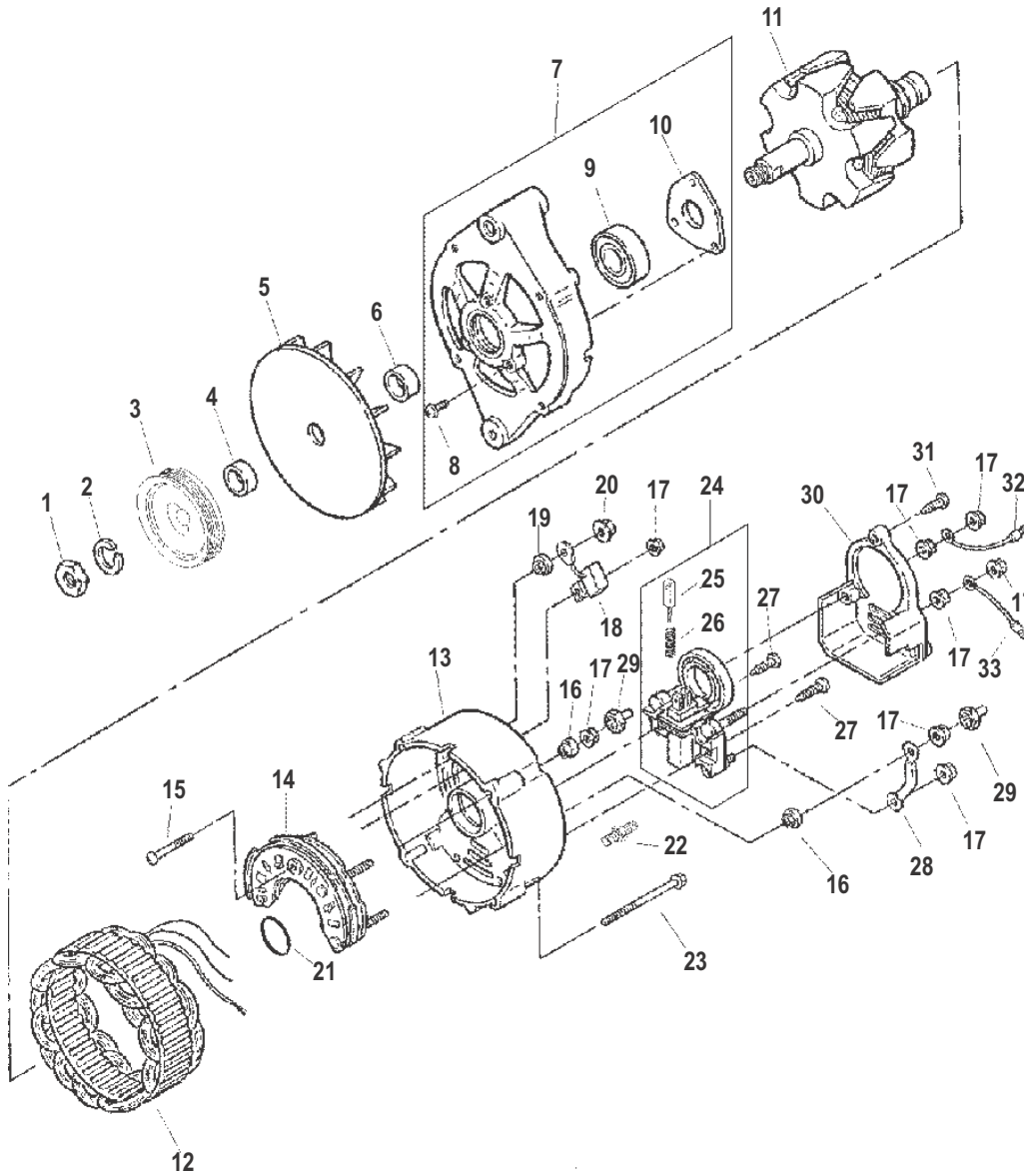
Alternator and Brackets (Mando)

Ref #	Part Class	Part Number	Description	Comments	Qty	Note
1	0000	807653T	ALTERNATOR ASSEMBLY (65 AMP)		1	[1]
2	0013	26996	LOCKWASHER (#10) Stainless Steel		1	
3	0011	79989	NUT (#10-24) Stainless Steel		1	
4	0013	26992	LOCKWASHER (.250) Stainless Steel		1	
5	0011	94330	NUT (.250-20) Brass		1	
6	0012	96457	WASHER Phenolic (.27 x .81 x .062)		1	
7	0000	807750T	BRACE		1	
8	0010	98261	SCREW (.375-16 x .750)		1	
9	0013	35048	LOCKWASHER (.375)		1	
10	0010	29198	SCREW AND LOCKWASHER (.312-18 x .875)		1	
11	0000	860370T	BRACKET Alternator/Power Steering		1	
12	0016	860102	STUD (.375-16 x 1.730)		3	
13	0010	56743	SCREW (.375-24 x 3.125)		1	
14	0011	23161	NUT (.375-24)		1	
15	0000	807767T	BRACKET Idler Adjustment		1	
16	0010	98261	SCREW (.375-16 x .750)		1	
17	0011	29250	NUT (.312-24)		1	
18	0043	8183812	PINION STUD (.437-20) Stainless Steel		1	
19	0000	818380T	BUSHING		1	
20	0000	807757T	PULLEY ASSEMBLY Idler - Black		1	
21	0011	817618	NUT (.437-20)		2	
22	0000	818380T	BUSHING	(CLSD COOLING/HYD STEERING)	1	
23	0000	818382	PULLEY	(CLSD COOLING/HYD STEERING)	1	
23	0000	807757T	PULLEY ASSEMBLY Idler - Black	(CLSD COOLING/HYD STEERING)	1	
24	0000	807753T1	BRACKET	(CLSD COOLING/HYD STEERING)	1	
25	0011	32219	NUT (.375-16)	(CLSD COOLING/HYD STEERING)	3	
26	0010	816601	SCREW (.437-20 x 1.500)	(CLSD COOLING/HYD STEERING)	1	
27	0011	817618	NUT (.437-20)		1	

PART NOTES:

- [1] - Alternate part numbers:
807653R01Reman
807653TQS

Alternator Components (Mando)



14148

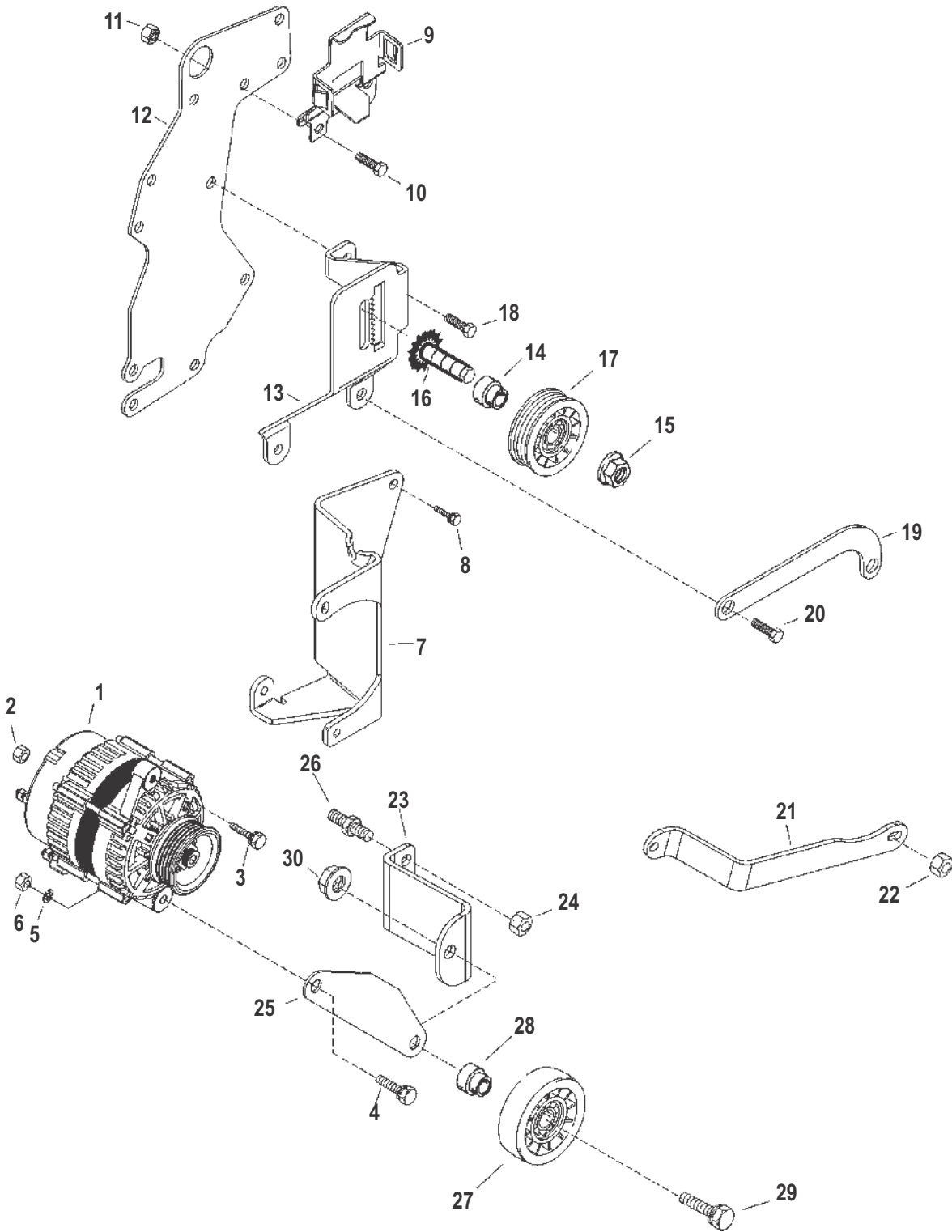
Alternator Components (Mando)

Ref #	Part Class	Part Number	Description	Comments	Qty	Note
-	0000	807653T	ALTERNATOR ASSEMBLY		1	[1]
1	0011	809136	NUT		1	
2	0013	809137	LOCKWASHER		1	
3	0000	834990T	PULLEY		1	
4	0023	809135	SPACER		1	
5	0000	809139	FAN ASSEMBLY		1	
6	0023	809140	SPACER		1	
7	0000	809151	BRACKET ASSEMBLY		1	
8	0010	809154	SCREW		3	
9	0030	809153	BEARING		1	
10	0000	809152	RETAINER		1	
11	0000	809150	ROTOR		1	
12	0000	809133T	STATOR		1	
13	0000	809155	BRACKET ASSEMBLY		1	
14	0000	809162	RECTIFIER		1	
15	0010	809160	SET SCREW		1	
16	0000	809146	MOLD		2	
17	0011	809143	NUT		8	
18	0000	809161	CONDENSER		1	
19	0000	809158	MOLD		1	
20	0011	809157	NUT		1	
21	0025	809156	O-RING		1	
22	0010	809159	BOLT		1	
23	0010	809138	BOLT		4	
24	0000	811883T	REGULATOR ASSEMBLY		1	
25	0000	811884	BRUSH		2	
26	0024	809165	SPRING		2	
27	0010	809141	SCREW		2	
28	0000	809142	TERMINAL		1	
29	0000	809149	CAP		2	
30	0000	809144	COVER		1	
31	0010	809145	SET SCREW		1	
32	0084	809148	LEAD WIRE (BLACK)		1	
33	0084	809147	LEAD WIRE (RED)		1	

PART NOTES:

- [1] - Alternate part numbers:
807653R01Reman
807653TQS

Alternator and Brackets (Delco)



14149

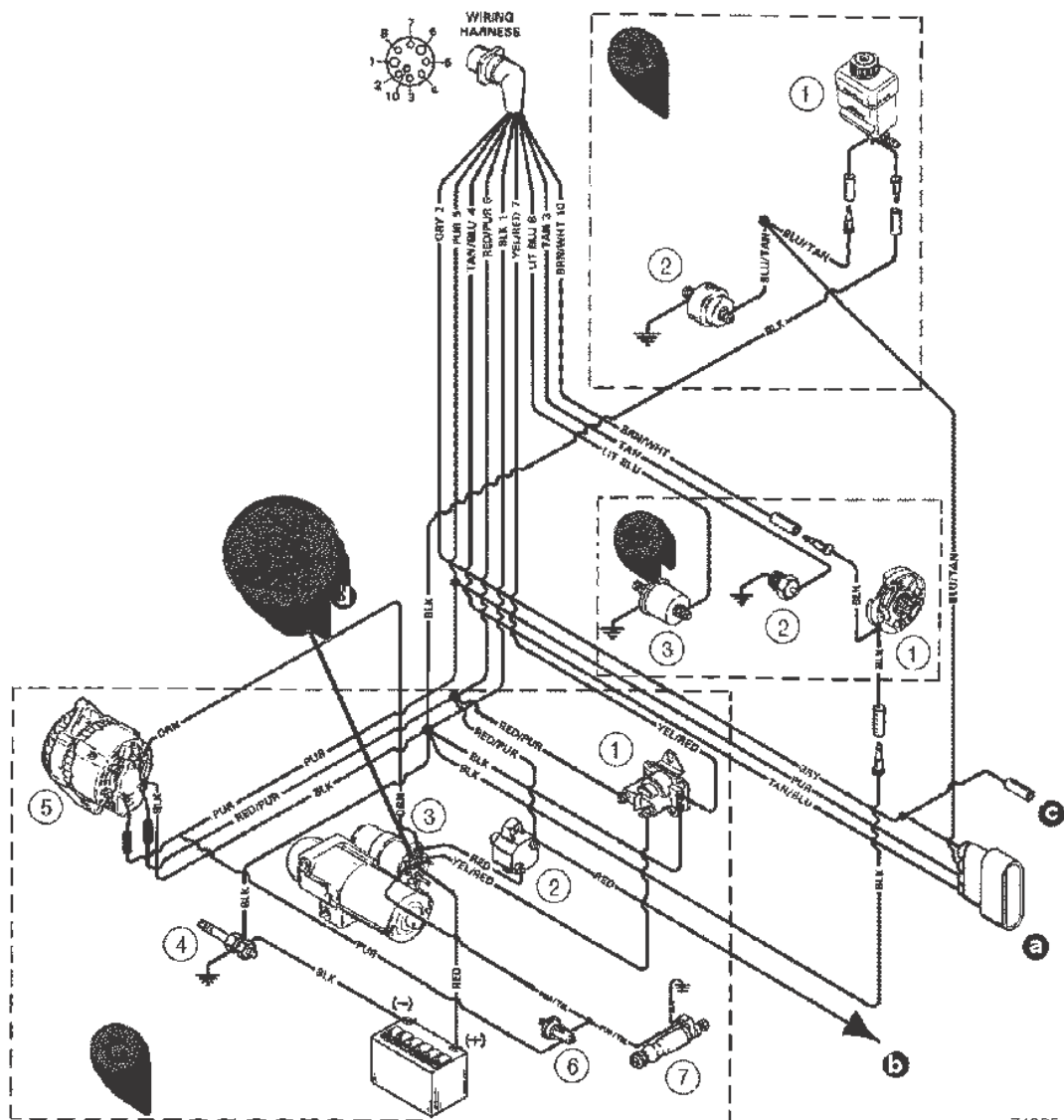
Alternator and Brackets (Delco)

Ref #	Part Class	Part Number	Description	Comments	Qty	Note
1	0000	862031T	ALTERNATOR ASSEMBLY (65 AMP)	(NON-SERVICEABLE)	1	[1]
2	0011	400212	NUT (M6) Stainless Steel		1	
3	0010	40001134	SCREW (M8 x 25)		1	
4	0010	828213	SCREW (.312-18 x 1.500) Hex Flange		2	
5	0012	57792	WASHER		2	
6	0011	26484	NUT (.312-18)		2	
7	0000	862055T	BRACKET Alternator Mounting		1	
8	0010	98261	SCREW (.375-16 x .750)		3	
9	0000	860065A1	BRACKET KIT Oil Bottle		1	
10	0010	98261	SCREW (.375-16 x .750)		6	
11	0011	32219	NUT (.375-16)		2	
12	0000	862056T	BRACKET		1	
13	0000	862083T	BRACKET Idler Adjustment		1	
14	0000	818380T	BUSHING		1	
15	0011	817618	NUT (.437-20)		1	
16	0043	8183812	PINION STUD (.437-20) Stainless Steel		1	
17	0000	807757T	PULLEY ASSEMBLY Idler - Black		1	
18	0010	34353	SCREW (.375-16 x 1.00)		2	
19	0000	862082T	BRACE Power Steering		1	
20	0010	40001188	SCREW (M10 x 20)		1	
21	0000	862123T	BRACKET Alternator Brace	(ALPHA)	1	
22	0011	29250	NUT (.312-24)	(ALPHA)	1	
23	0000	862084T	BRACKET Idler	(BRAVO)	1	
24	0011	32219	NUT (.375-16)	(BRAVO)	2	
25	0000	862085T	BRACE Idler Bracket	(BRAVO)	1	
26	0016	860102	STUD (.375-16 x 1.730)	(BRAVO)	2	
27	0000	818382	PULLEY	(BRAVO)	1	
28	0000	818380T	BUSHING	(BRAVO)	1	
29	0010	56393	SCREW (.437-20 x 1.75)	(BRAVO)	1	
30	0011	817618	NUT (.437-20)	(BRAVO)	1	

PART NOTES:

- [1] - Alternate part numbers:
862031R01Reman
862031TQS

Wiring Harness (Engine)



74925

A- Audio Warning System

- 1 - Drive Unit Oil Level
- 2 - Oil Pressure Switch

B- Instrumentation System

- 1 - Trim Sender
- 2 - Water Temperature Sender
- 3 - Oil Pressure Sender

C- Charging and Starting System

- 1 - Starter Slave Solenoid
- 2 - Circuit Breaker
- 3 - Starter
- 4 - Ground Stud
- 5 - Alternator
- 6 - Oil Pressure Cut-Off Switch
- 7 - Fuel Pump

- a - Harness Connector to EFI System Harness
- b - Positive (+) Power Wire to EFI System Harness
- c - Auxiliary Tachometer Lead
- d - 90 Amp Fuse (DC NOT Remove)

14276

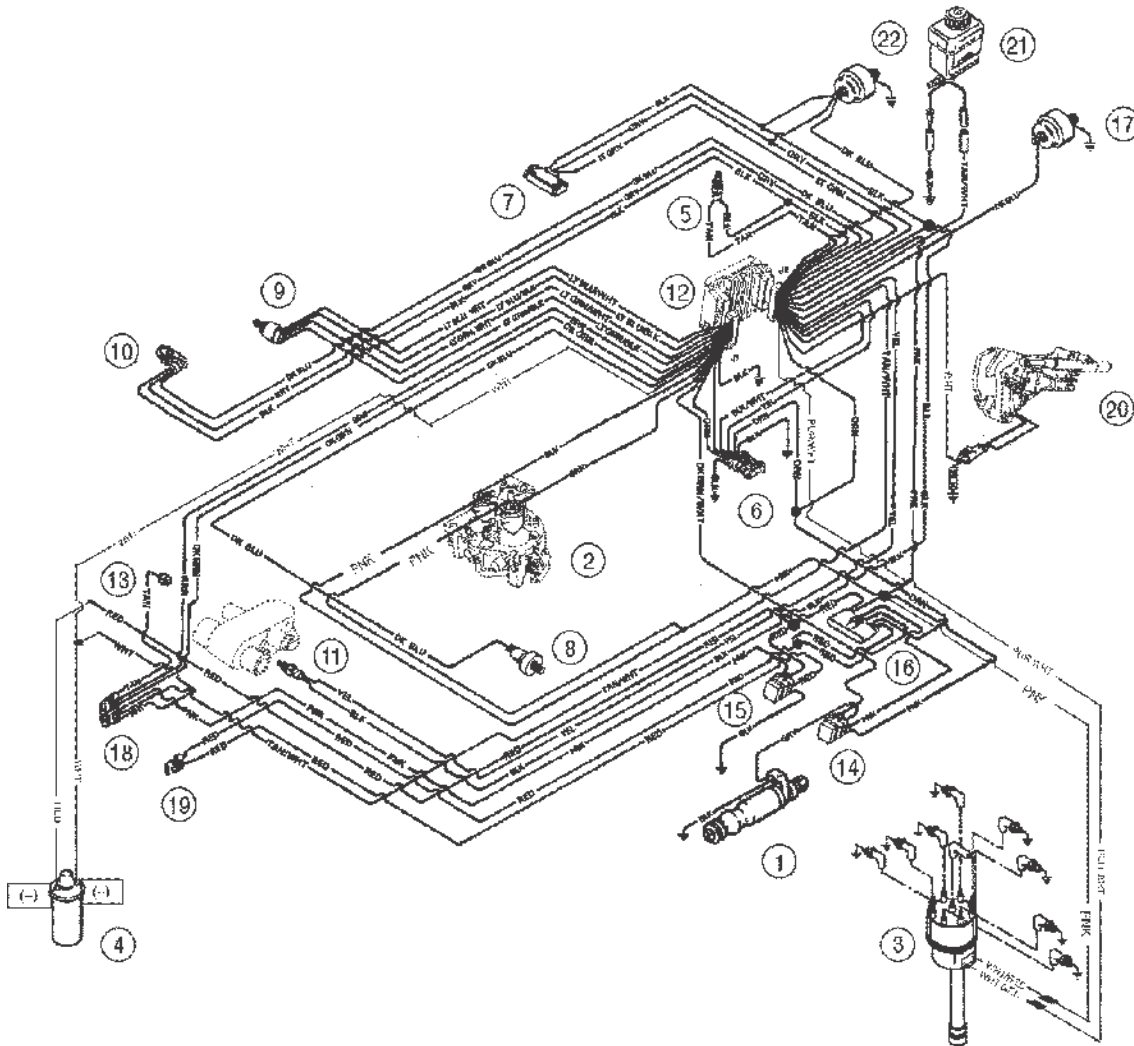
Cat.# 90-83498799

Wiring Harness (Engine)

Ref #	Part Class	Part Number	Description	Comments	Qty	Note
-	0084	860223A2	HARNESS ASSEMBLY Engine Wiring	[0L012009] THRU [0L359999]	1	
-	0084	861819T1	HARNESS ASSEMBLY Engine	[0L360000] THRU [0L618999]	1	
-	0084	862179T1	HARNESS ASSEMBLY Engine	[0L619000] & Up	1	

Wiring Harness (Engine)

Wiring Harness (EFI)



- 1 - Fuel Pump
- 2 - Throttle Body
- 3 - Distributor
- 4 - Coil
- 5 - Manifold Air Temperature (MAT) Sensor
- 6 - Data Link Connector (DLC)
- 7 - Manifold Absolute Pressure (MAP) Sensor
- 8 - Knock Sensor
- 9 - Idle Air Control (IAC)
- 10 - Throttle Position (TP) Sensor
- 11 - Engine Coolant Temperature (ECT) Sensor

- 12 - Electronic Control Module (ECM)
- 13 - Water Temperature Sender
- 14 - Fuel Pump Relay
- 15 - Ignition/System Relay
- 16 - Fuses (15 Amp) Fuel Pump, (15 Amp) ECM/DLC/Battery, (10 Amp) ECM/Injector/Ignition/Knock Module
- 17 - Oil Pressure Sensor
- 18 - Harness Connector To Starting/Charging Harness
- 19 - Positive (+) Power Wire To Engine Circuit Breaker
- 20 - Shift Plate
- 21 - Gear Lube Monitor
- 22 - Fuel Pressure Switch

19853

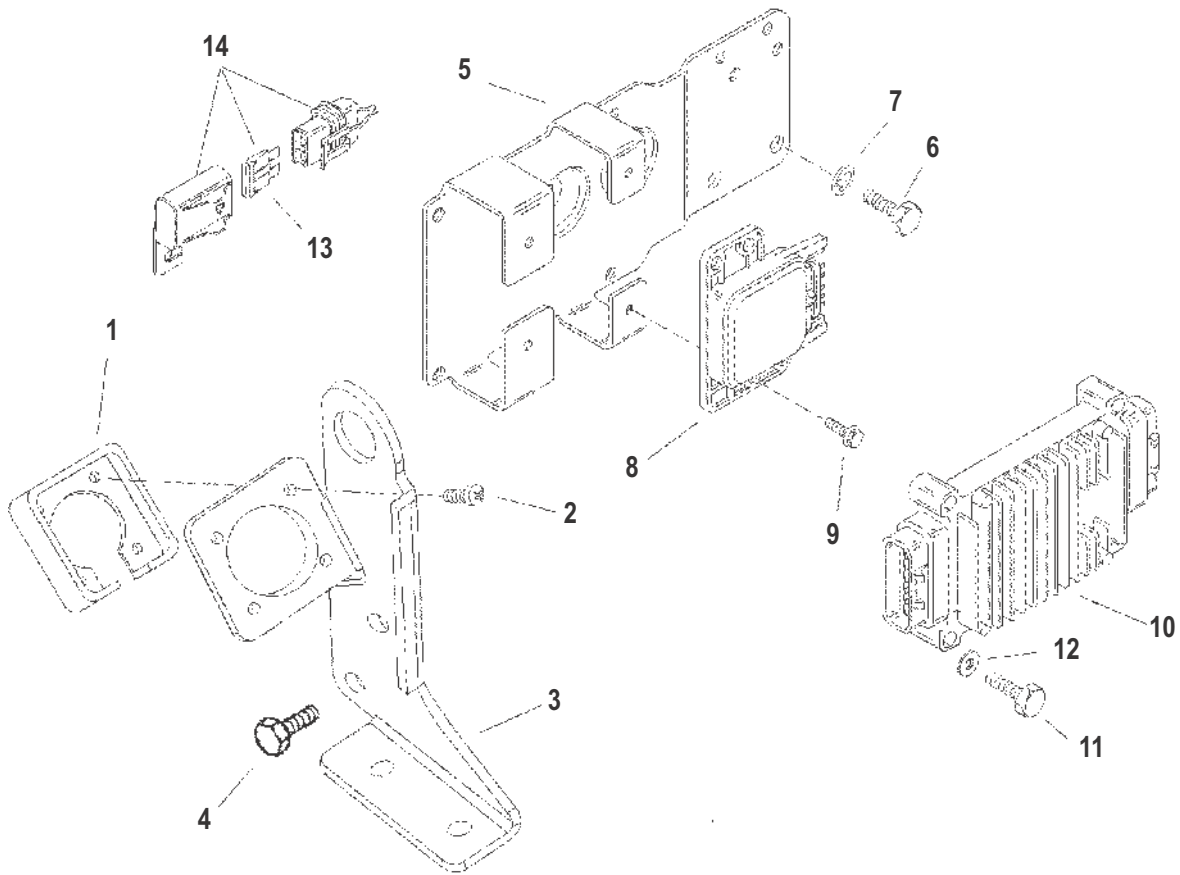
Cat.# 90-83498799

Wiring Harness (EFI)

Ref #	Part Class	Part Number	Description	Comments	Qty	Note
-	0084	861238A1	HARNESS ASSEMBLY EFI	[0L012009] THRU [0L359999]	1	
-	0084	861157T1	HARNESS ASSEMBLY EFI	[0L360000] & Up	1	

Wiring Harness (EFI)

ECM & Electrical Brackets (S/N-0L012009 - 0L359999)



19855

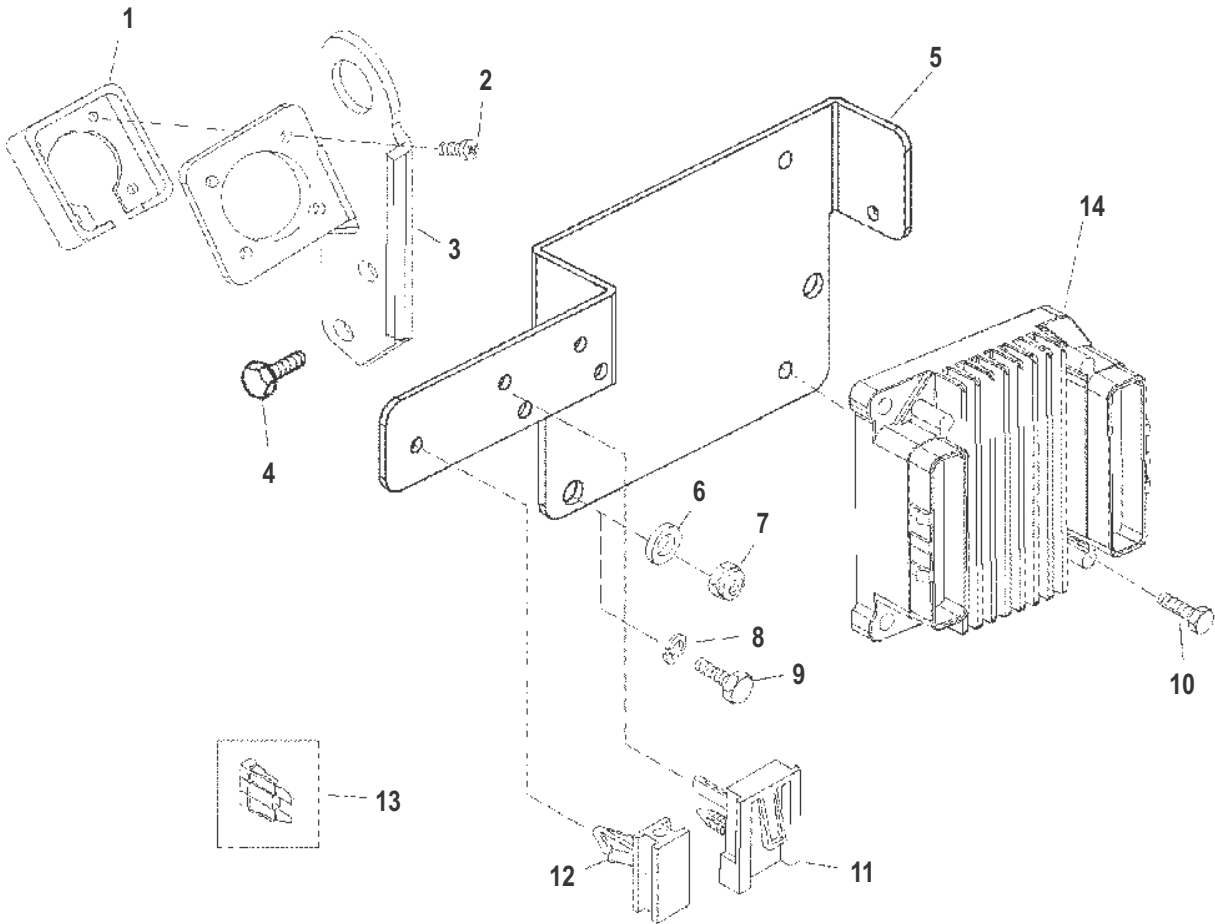
ECM & Electrical Brackets (S/N-0L012009 - 0L359999)

Ref #	Part Class	Part Number	Description	Comments	Qty	Note
1	0000	26079A2	PLATE KIT Wire Harness Mount		1	
2	0010	15001	SCREW (#8-16 x .875)		4	
3	0000	806816T	BRACKET/LIFTING EYE Harness Mounting		1	
4	0010	98261	SCREW (.375-16 x .750)		2	
5	0000	860080T	BRACKET		1	
6	0010	98253	SCREW (.250-20 x .500)		2	
7	0013	26992	LOCKWASHER (.250) Stainless Steel		2	
8	0000	808014T	MODULE ESC		1	
9	0010	806827	SCREW (#8-32 x .380)		2	
10	0000	861001R1	ECM Engine Control Module		1	[1]
11	0010	76596	SCREW (.250-20 x 1.250)		4	
12	0012	20533	WASHER		4	
13	0088	804642	FUSE Micro - 15 Ampere		1	
13	0088	804641	FUSE Micro - Red - 10 Ampere		1	
14	0000	805704	FUSE 15 Ampere		1	
14	0000	805703	FUSE 10 Ampere		1	

PART NOTES:

- [1] - Alternate part numbers:
861001R 1Reman
861001T 1QS

ECM & Electrical Brackets (S/N-0L360000 & Up)



12971

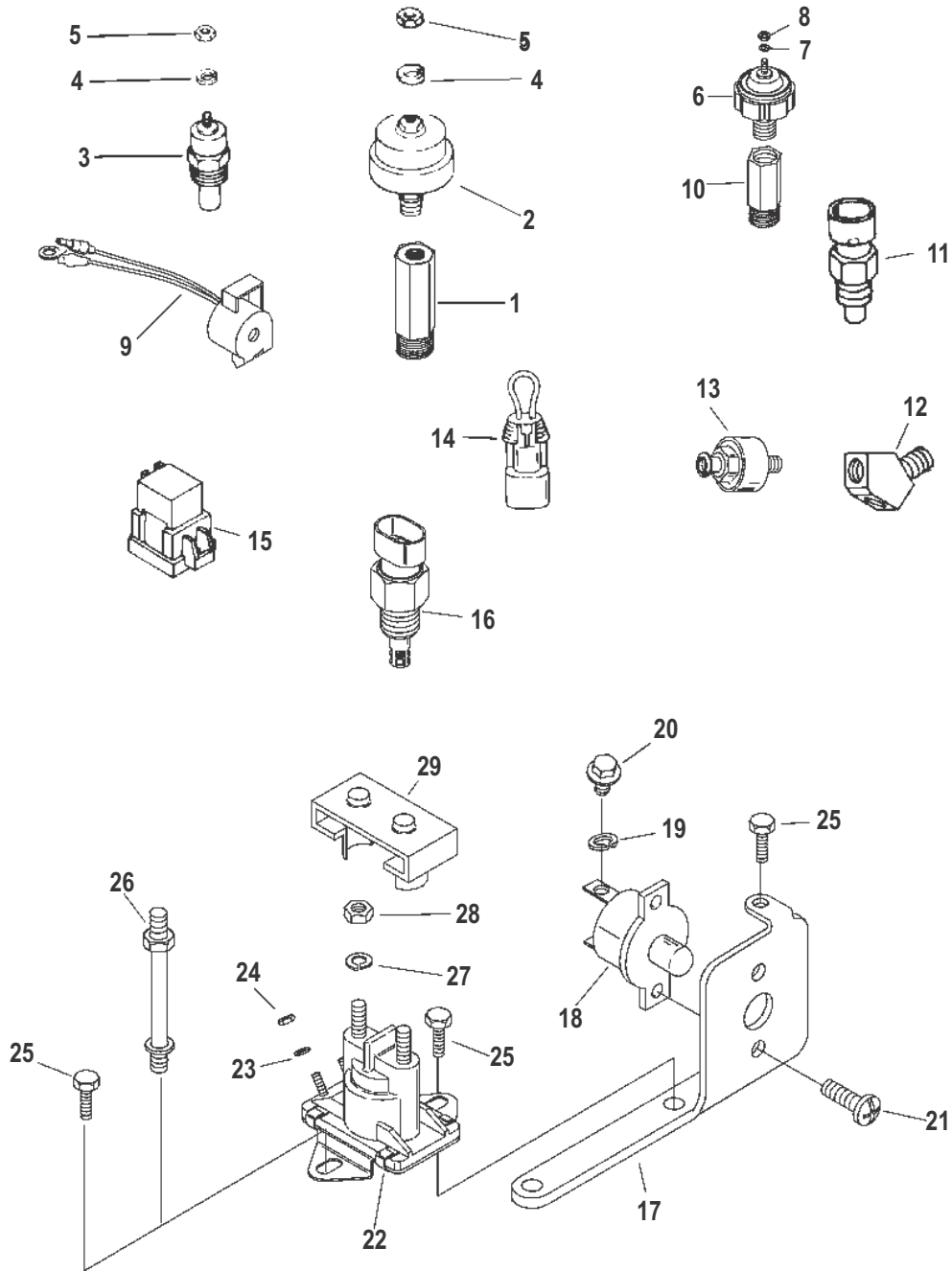
ECM & Electrical Brackets (S/N-0L360000 & Up)

Ref #	Part Class	Part Number	Description	Comments	Qty	Note
1	0000	26079A2	PLATE KIT Wire Harness Mount		1	
2	0010	15001	SCREW (#8-16 x .875)		4	
3	0000	807453T	BRACKET Harness Mounting/Lifting Eye		1	
4	0010	98261	SCREW (.375-16 x .750)		2	
5	0000	861714T	BRACKET ECU Mounting		1	
6	0012	35462	WASHER (.2656 x .625 x .0625) Stainless Steel	(2 PIECE MANIFOLD)	3	
7	0011	64015	NUT (.250-20)	(2 PIECE MANIFOLD)	3	
8	0010	98253	SCREW (.250-20 x .500)	(1 PIECE MANIFOLD)	2	
9	0013	26992	LOCKWASHER (.250) Stainless Steel	(1 PIECE MANIFOLD)	2	
10	0010	28636	SCREW (.250-20 x .750)		3	
11	0054	804351	CLIP		2	[1]
12	0054	804352	CLIP		1	[1]
13	0088	804638	FUSE Red - 10 Ampere		2	[1]
13	0088	804639	FUSE Blue - 15 Ampere		1	[1]
14	0000	862148T3	ECM Engine Control Module		1	

PART NOTES:

[1] - COMPONENT OF ENGINE WIRING HARNESS 861157T 1

Electrical Components



19856

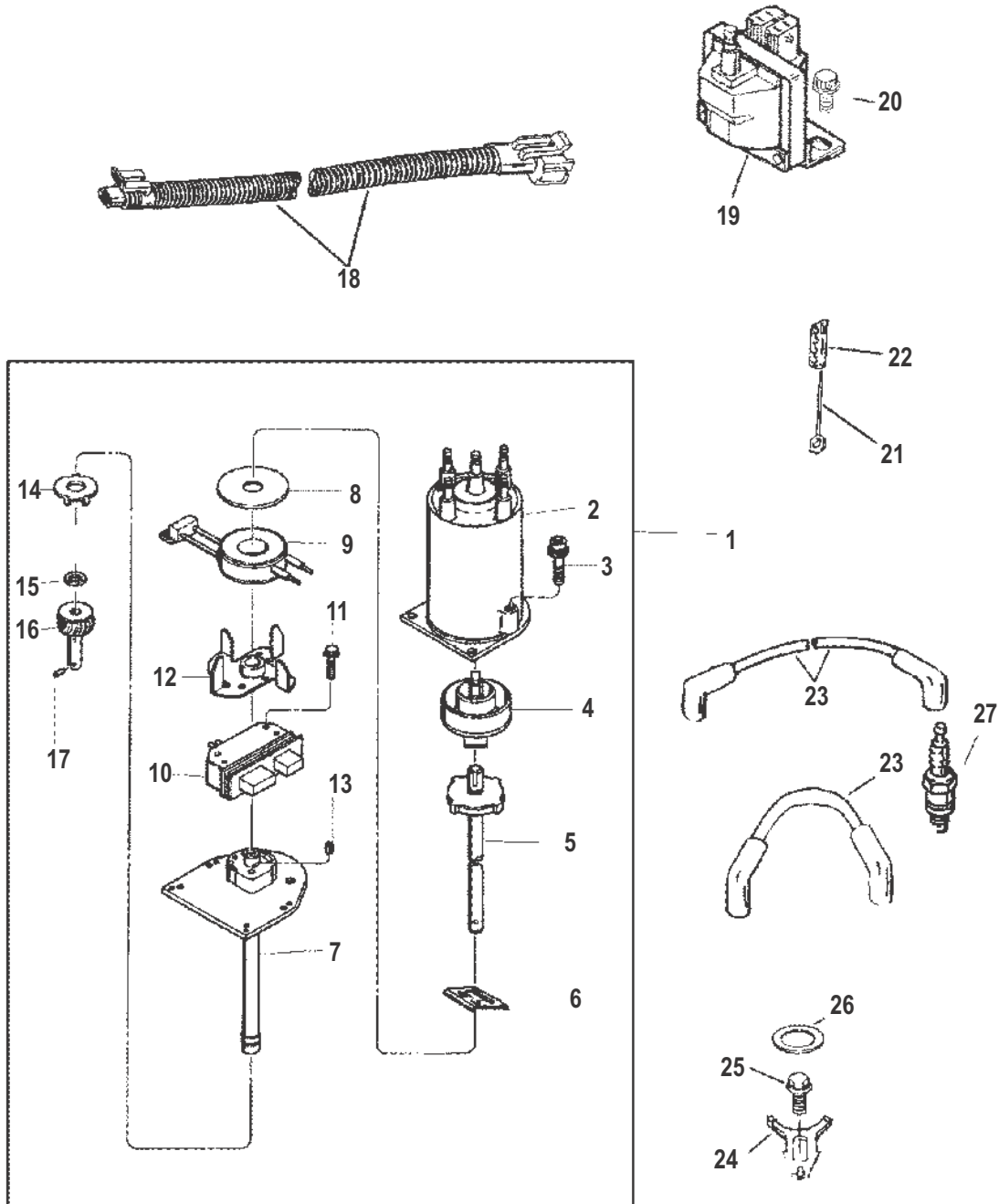
Electrical Components

Ref #	Part Class	Part Number	Description	Comments	Qty	Note
1	0022	805059	FITTING		1	
2	0000	815425T	SENDER ASSEMBLY		1	
2	0000	37293T	SENDER ASSEMBLY	(DUAL STATION)	OPT	
3	0000	97257A1	SENDER ASSEMBLY Water Temperature		1	
3	0000	49734	SENDER	(DUAL STATION)	OPT	
4	0013	26996	LOCKWASHER (#10) Stainless Steel		2	
5	0011	68219	NUT (#10-32) Stainless Steel		2	
6	0087	805605A1	SWITCH ASSEMBLY	AUDIO WARNING SYSTEM	1	
7	0013	26996	LOCKWASHER (#10) Stainless Steel	AUDIO WARNING SYSTEM	1	
8	0011	68219	NUT (#10-32) Stainless Steel	AUDIO WARNING SYSTEM	1	
9	0000	816492A6	ALARM KIT	AUDIO WARNING SYSTEM	1	
10	0022	32974	FITTING (.125-27) Adaptor		1	
11	0000	805218T	SENSOR		1	
12	0022	8067051	FITTING Dual		1	
13	0000	808015T	SENSOR ESC Control		1	
14	0000	805592A1	CONNECTOR ASSEMBLY	(BRAVO)	1	
14	0000	830796A1	CONNECTOR ASSEMBLY		1	
15	0000	807057T	RELAY		2	[1]
16	0000	805223T	SENSOR		1	
17	0000	805368T	BRACKET Electrical		1	
18	0088	806950	BREAKER Circuit - 50 Ampere		1	
19	0010	68513	SCREW (#10-32 x .375) Stainless Steel		2	
20	0013	26996	LOCKWASHER (#10) Stainless Steel		2	
21	0010	57583	SCREW (#8-32 x .375)		2	
22	0089	96158T	SOLENOID		1	
23	0013	26995	LOCKWASHER (#8) Stainless Steel		2	
24	0011	26419	NUT (#8-32) Brass		2	
25	0010	805564	SCREW (.250-20 x .750)	(ALPHA)	2	
26	0016	805459	STUD Mercathode Mounting	(BRAVO)	1	
27	0013	26992	LOCKWASHER (.250) Stainless Steel		2	
28	0011	94330	NUT (.250-20) Brass		2	
29	0085	97861	INSULATOR		1	

PART NOTES:

[1] - METRIC FASTENER CHANGE (S/N 0L320000 AND UP)

Distributor (S/N-0L012009 - 0L359999)



14279

Distributor (S/N-0L012009 - 0L359999)

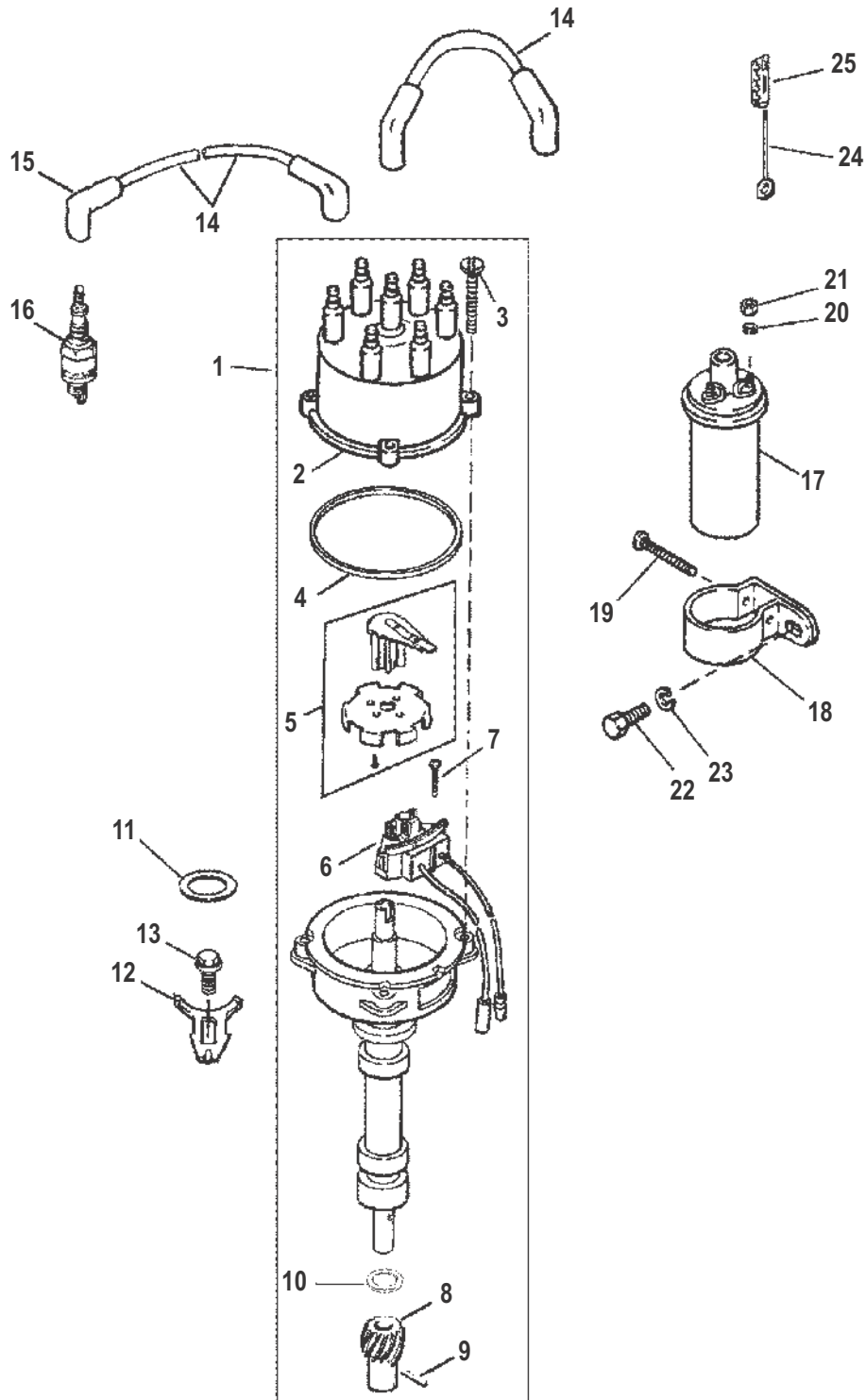
Ref #	Part Class	Part Number	Description	Comments	Qty	Note
1	0000	807964A1	DISTRIBUTOR ASSEMBLY		1	
2	0000	850484T	CAP		1	[1]
3	0010	808491	SCREW		2	
4	0000	850485	ROTOR		1	[2]
5	0000	850486	SHAFT ASSEMBLY Main		1	
6	0000	850491	RETAINER		1	
7	0000	850488	HOUSING		1	
8	0000	850490	SHIELD		1	
9	0000	811639T	COIL		1	
10	0000	811637T	MODULE		1	
11	0010	850494	SCREW		2	
12	0000	850492	POLE PIECE		1	
13	0017	808488	PIN		1	
14	0012	46350	WASHER		1	
15	0012	808489	WASHER		1	
16	0043	850493	GEAR Drive		1	
17	0017	34109	PIN		1	
18	0084	817376T	HARNES ASSEMBLY Distributor Module to Ignition Coil		1	
19	0000	817378	COIL		1	
20	0010	805189	SCREW (.375-16 x .750)		2	
21	0016	90096A1	STUD ASSEMBLY (#10-32 x Special)		2	
22	0054	72821	RETAINER		2	
23	0084	816608A82	CABLE KIT Ignition (SPARK PLUGS & COIL)		1	
24	0000	52185	CLAMP		1	
25	0010	805559	SCREW (.375-16 x .875) Stainless Steel		1	
26	0027	344863	GASKET		1	[3]
27	0033	816336	SPARK PLUG		6	
-	0027	807756A96	GASKET SET Engine Overhaul		1	

PART NOTES:

- [1] - Alternate part numbers:
850484T Service Part
850484T 3Kit
- [2] - Alternate part numbers:
850484T 3Kit
850485 Service Part
- [3] - COMPONENT OF ENGINE OVERHAUL GASKET SET 807756A96

Distributor (S/N-0L012009 - 0L359999)

Distributor (S/N-0L360000 & Up)



12973

Distributor (S/N-0L360000 & Up)

Distributor (S/N-0L360000 & Up)

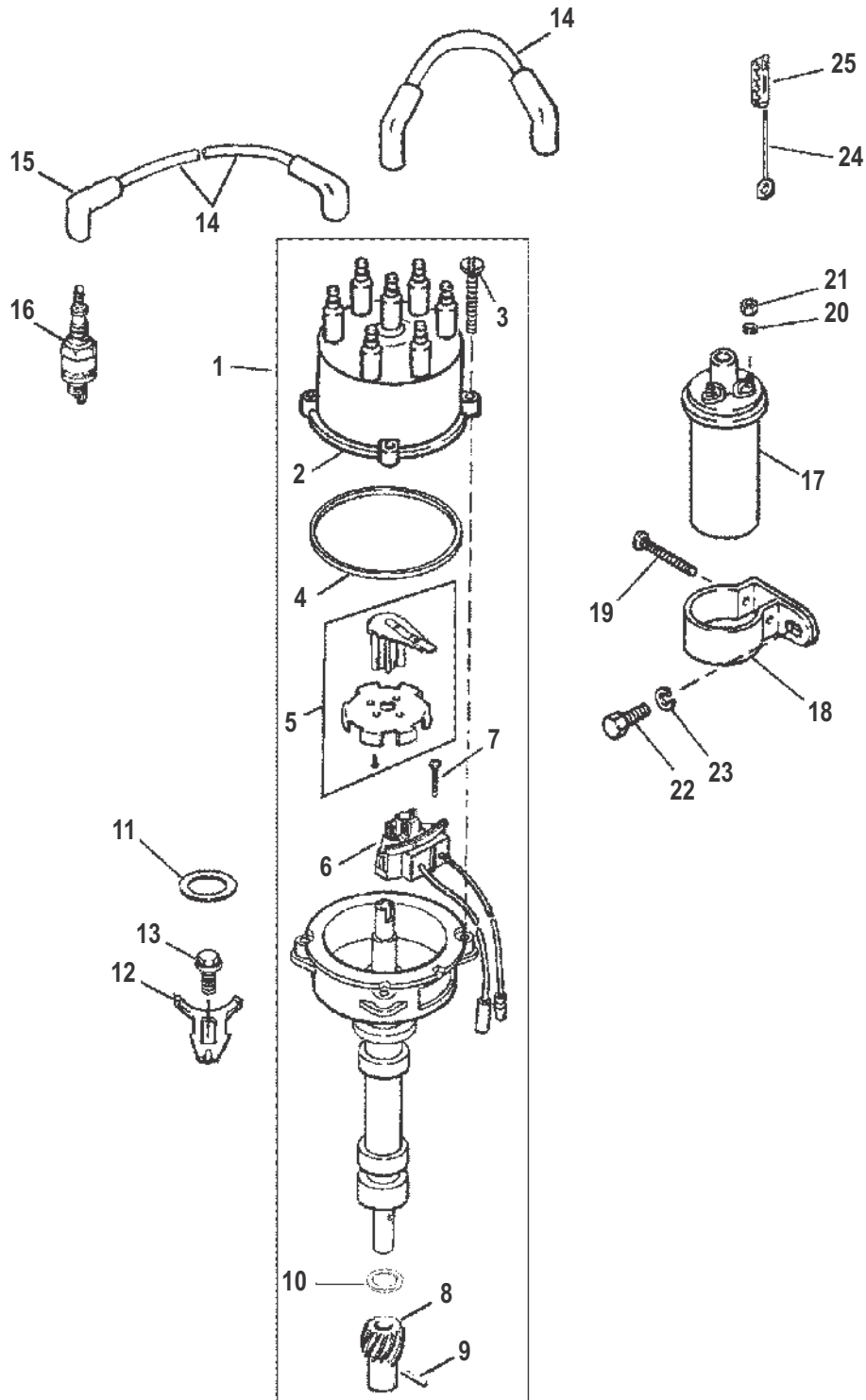
Ref #	Part Class	Part Number	Description	Comments	Qty	Note
1	0000	805185A37	DISTRIBUTOR ASSEMBLY		1	
2	0000	815407A2	CAP Distributor		1	[1]
3	0010	90926	SCREW (#10-32 x .810)		4	
4	0027	805760	GASKET		1	
5	0000	13524A6	ROTOR/SENSOR WHEEL		1	[2]
6	0087	861780A2	SENSOR ASSEMBLY		1	[3]
7	0010	66686	SCREW (#10-32 x 1.00)		2	
7	0010	72202	SCREW (#10-32 x 1.25)		1	
8	0043	818807	GEAR		1	
9	0017	47617	PIN		1	
10	0012	90931	THRUST WASHER		1	
11	0027	344863	GASKET		1	[4]
12	0000	52185	CLAMP		1	
13	0010	806681	SCREW (.375-16 x .875)		1	
14	0084	816608A82	CABLE KIT Ignition (SPARK PLUGS & COIL)		1	
15	0085	63709A1	BOOT/TERMINAL KIT		8	
16	0033	816336	SPARK PLUG		8	
17	0392	805570A2	COIL KIT		1	
18	0000	65970T1	BRACKET		1	
19	0010	41408	SCREW (#10-32 x 1.50)		1	
20	0013	26996	LOCKWASHER (#10) Stainless Steel		2	
21	0011	68219	NUT (#10-32) Stainless Steel		2	
22	0010	98261	SCREW (.375-16 x .750)		1	
23	0012	20553	WASHER (.406 x .734 x .063)		1	
24	0016	90096A1	STUD ASSEMBLY (#10-32 x Special)		2	
25	0054	72821	RETAINER		2	
-	0027	807756A96	GASKET SET Engine Overhaul		1	

PART NOTES:

- [1] - Alternate part numbers:
815407A 2Service Part
815407Q02QS
815407Q 5QS Kit
815407T 5MPP Kit
- [2] - Alternate part numbers:
13524A 6Service Part
13524Q06QS
815407Q 5QS Kit
815407T 5MPP Kit

Distributor (S/N-0L360000 & Up)

Distributor (S/N-0L360000 & Up)



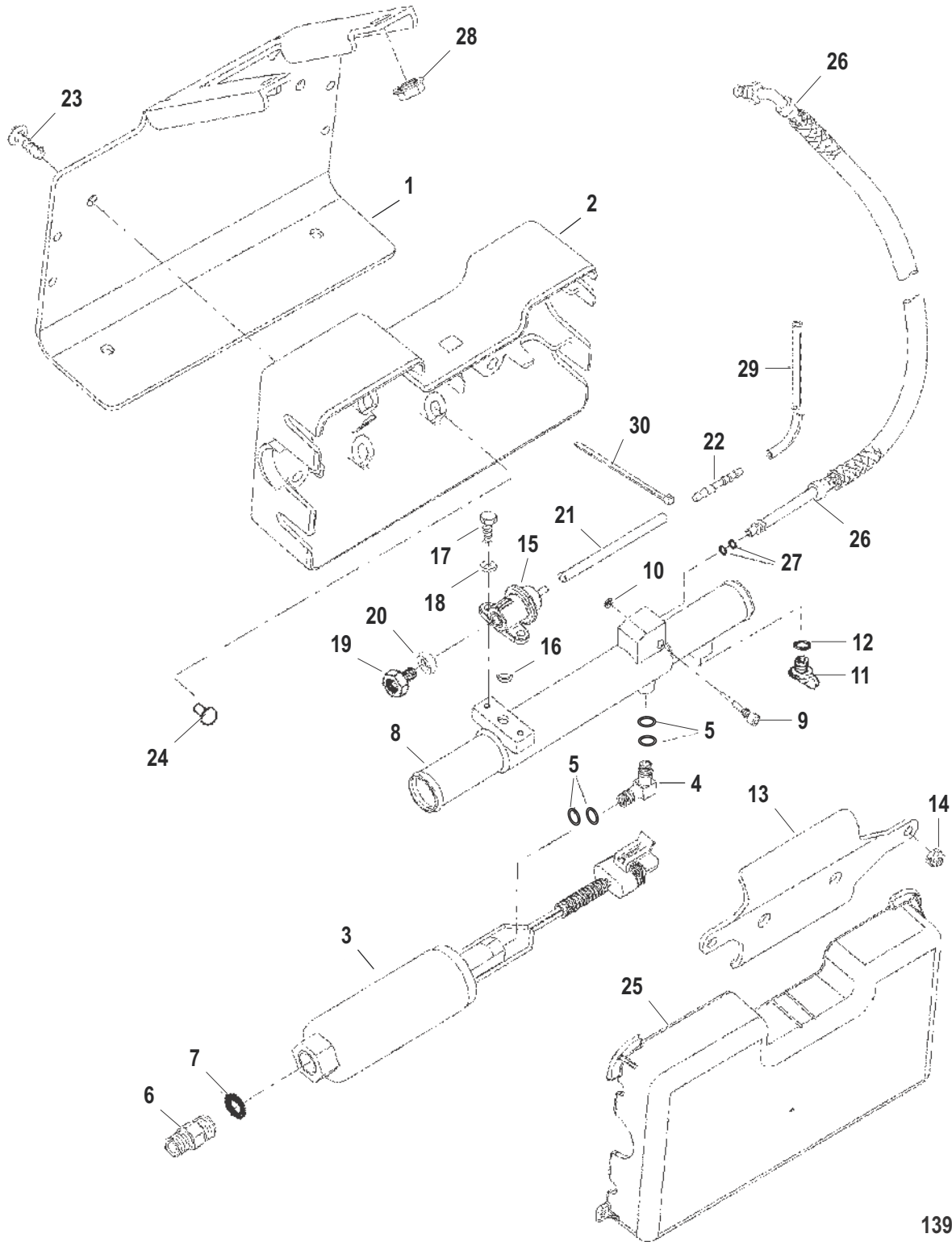
12973

Distributor (S/N-0L360000 & Up)

Distributor (S/N-0L360000 & Up)

- [3] - Alternate part numbers:
 - 861780A 2Service Part
 - 892150K02MPP
 - 892150Q02QS
- [4] - COMPONENT OF ENGINE OVERHAUL GASKET SET 807756A96

Fuel Pump and Fuel Cooler



13969

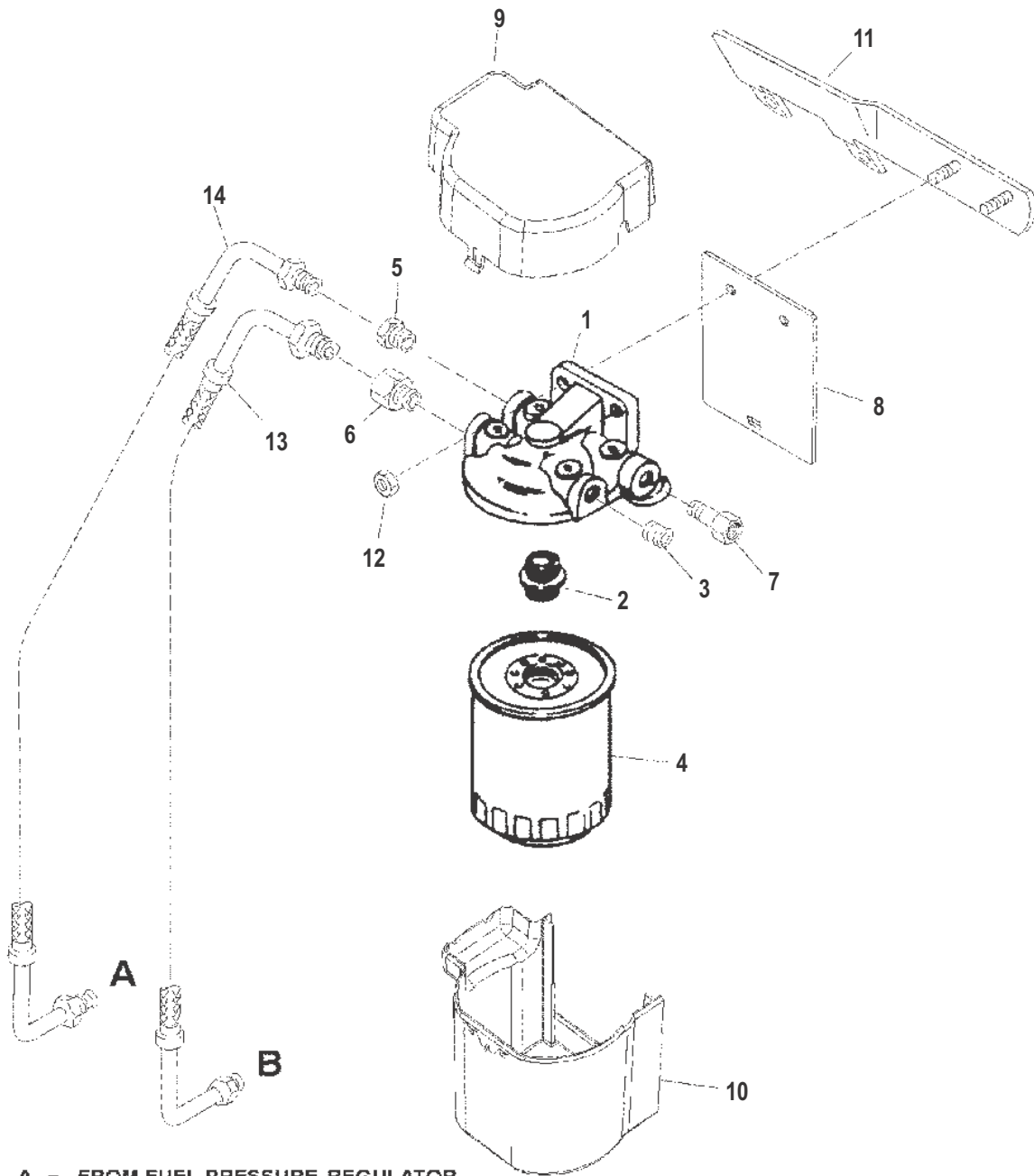
Fuel Pump and Fuel Cooler

Ref #	Part Class	Part Number	Description	Comments	Qty	Note
1	0000	807951T	BRACKET Fuel Cooler		1	
2	0000	807685T	INSULATOR		1	
3	0000	861156A1	PUMP ASSEMBLY		1	
4	0022	807783A1	FITTING ASSEMBLY 90 Degree		1	
5	0025	805063	O-RING (.301 x .070)		4	[1]
6	0022	808001A1	FITTING ASSEMBLY		1	
7	0025	805062	O-RING (.530 x .082)		1	[1]
8	0000	861267A1	COOLER KIT Fuel		1	
9	0010	861303	SCREW (.250-28) Special		1	
10	0053	861414	RING Retaining		1	
11	0022	806608A1	PLUG KIT (.500-13) Royal Blue		1	[2]
12	0025	32509	O-RING (.489 x .070)		1	[1]
13	0000	807979T	BRACKET		1	
14	0011	29598	NUT (.250-28) Stainless Steel		2	
15	0000	807952A1	REGULATOR KIT Fuel Pressure		1	
16	0035	805406	FILTER		1	
17	0010	852368	SCREW (#10-24 x .750)		2	
18	0012	89302	WASHER (.203 x .406 x .040)		2	
19	0022	808002A1	FITTING KIT		1	
20	0012	36533	WASHER (.328 x .562 x .0312) Copper		1	
21	0032	80617379	HOSE (52.00 Inches Bulk)		1	
22	0022	807971	CONNECTOR Hose		1	
23	0010	808005	SCREW (.250-20 x .500)		4	
24	0000	269011	BUMPER Rubber		8	
25	0000	807930	INSULATOR		1	
26	0032	861571A1	LINE Fuel (FUEL COOLER TO TBI)		1	
27	0025	805063	O-RING (.301 x .070)		2	[1]
28	0011	860069	NUT (.375-16)		2	
28	0011	4013610	NUT (M10) Stainless Steel		2	[3]
29	0032	80804762	HOSE (.2187 x .440)		1	
30	0054	816311T	TIE STRAP (8.00 Inches)		AR	
-	0027	807756A96	GASKET SET Engine Overhaul		1	

PART NOTES:

- [1] - COMPONENT OF ENGINE OVERHAUL GASKET SET 807756A96
- [2] - Alternate part numbers:
806608A 1Service Part
806608Q01QS
- [3] - METRIC FASTENER CHANGE (S/N 0L320000 AND UP)

Fuel Filter



A = FROM FUEL PRESSURE REGULATOR
B = TO FUEL PUMP

12975

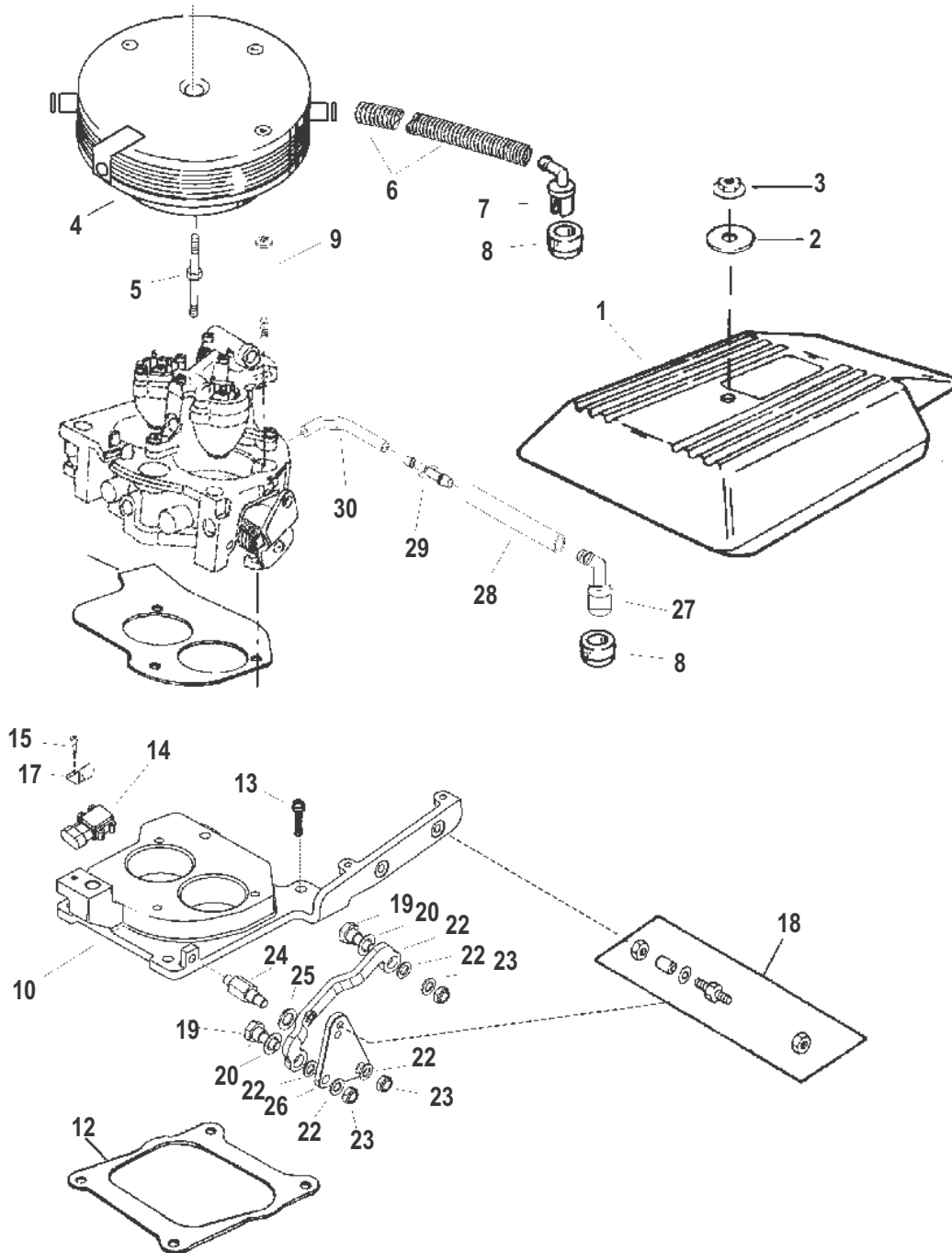
Fuel Filter

Ref #	Part Class	Part Number	Description	Comments	Qty	Note
1	0000	89876A3	BASE ASSEMBLY Fuel Filter/Water Seperator		1	
2	0022	816133	FITTING		1	
3	0022	32561	PLUG Pipe - Allen Head (.250-18)		1	
4	0035	807172	FILTER Fuel/Water Separator		1	[1]
5	0022	33821	CONNECTOR		1	
6	0022	808003	CONNECTOR		1	
7	0022	807958	FITTING (1/4-18)		1	
8	0000	807956T	INSULATOR Back		1	
9	0000	807806T	INSULATOR Cap		1	
10	0000	807807T	INSULATOR Base		1	
11	0000	807918T	BRACKET Fuel Filter Base		1	
12	0011	35814	NUT (.312-24) Stainless Steel		2	
13	0032	807953	LINE ASSEMBLY Fuel		1	
14	0032	807954T	HOSE ASSEMBLY Fuel Regulator to Filter		1	

PART NOTES:

- [1] - Alternate part numbers:
802893QQS
802893TMPP
807172Service Part

Throttle Linkage



19857

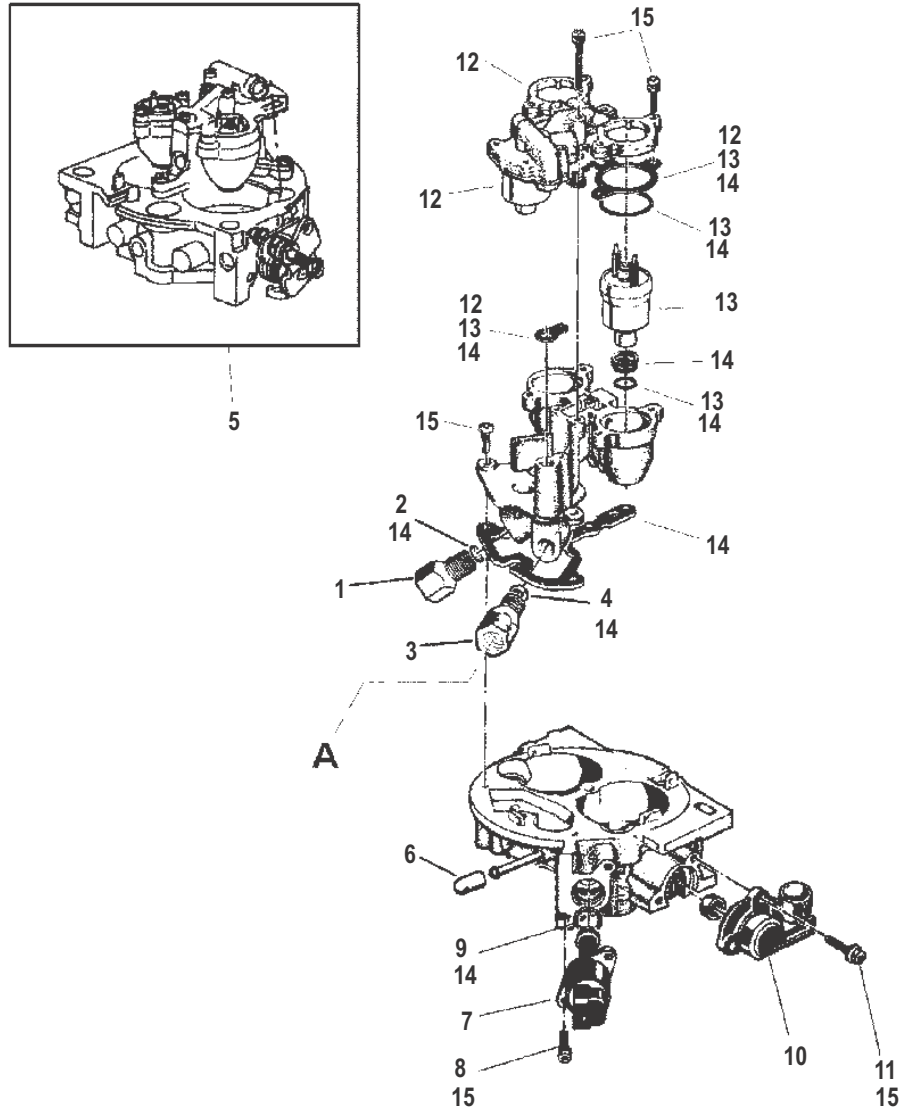
Throttle Linkage

Ref #	Part Class	Part Number	Description	Comments	Qty	Note
1	0000	18484A3	COVER		1	
2	0012	86400	WASHER		1	
3	0011	35045	NUT (.250-28)		1	
4	0000	807693T	FLAME ARRESTOR	[OL012009] THRU [OL359999]	1	
4	0000	806637T1	FLAME ARRESTOR	[OL360000] & Up	1	
5	0016	806703	STUD		1	
6	0032	1589424	HOSE (16.50 Inches Bulk)		1	
7	0000	97850	ELBOW 90 Degree Breather		1	
8	0025	827152	GROMMET		2	
9	0010	805390	SCREW (.312-18 x 2.250)		3	
10	0000	861197A2	ADAPTOR ASSEMBLY TBI		1	
11	0027	806640	GASKET		1	[1]
12	0027	807756	GASKET		1	[1]
13	0010	807717	SCREW (.312-18 x .750)		4	
14	0000	861249A1	SENSOR ASSEMBLY Manifold Air Pressure		1	
15	0010	821579	SCREW (#10-24 x .500)		1	
16	0000	861198	CLIP		1	
17	0016	97477A3	STUD KIT		2	
18	0010	806946	BOLT		2	
19	0012	861854	WASHER (.453 x .750 x .032) Stainless Steel		2	
20	0000	807097T	CONNECTOR		1	
21	0012	20084	WASHER (.328 x .562 x .062)		5	
22	0011	45592	NUT (.312-24)		3	
23	0000	806915	SHAFT		1	
24	0012	79552	WASHER (.453 x .750 x .062) Stainless Steel		1	
25	0000	806916T	PLATE		1	
26	0021	806118	VALVE PVC		1	
27	0032	86197763	HOSE (33.00 Inches Bulk) (3/8 IN. I.D.)		1	
28	0022	808061	CONNECTOR Hose		1	
29	0032	80804762	HOSE (.2187 x .440) (7/32 IN. I.D.)		1	
-	0027	807756A96	GASKET SET Engine Overhaul		1	

PART NOTES:

[1] - COMPONENT OF ENGINE OVERHAUL GASKET SET 807756A96

Throttle Body



A: FUEL PRESSURE SENSOR

12977

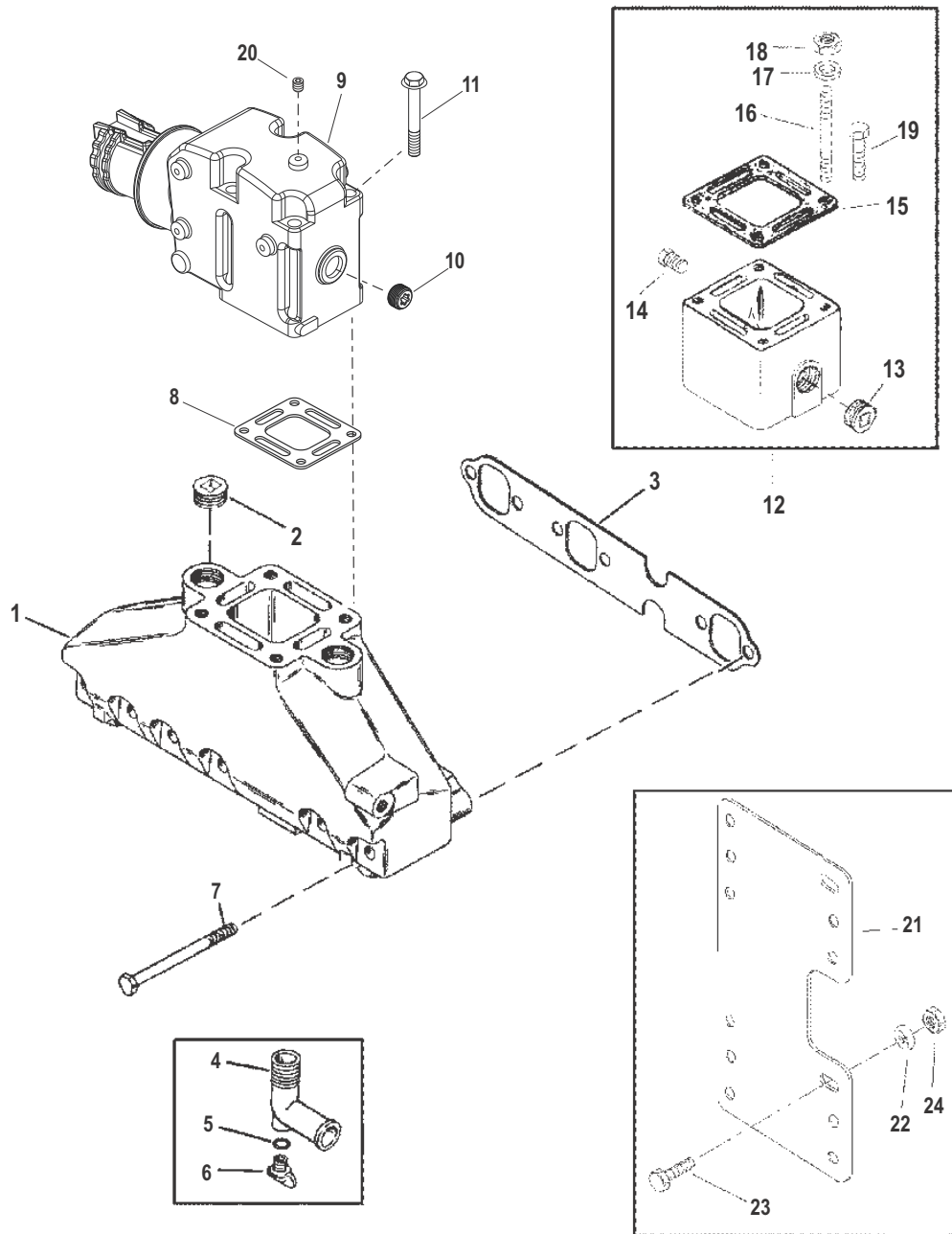
Throttle Body

Ref #	Part Class	Part Number	Description	Comments	Qty	Note
1	0022	806653A1	FITTING ASSEMBLY (INLET)		1	
2	0026	806655	SEAL		1	[1]
3	0022	808024A1	PLUG ASSEMBLY	[0L012009] THRU [0L359999]	1	
3	0022	861880A1	ADAPTOR Fuel Fitting	[0L360000] & Up	1	
4	0026	806706	SEAL		1	[1]
5	0000	860320A1	THROTTLE BODY ASSEMBLY		1	
6	0000	806899	PLUG		1	
7	0000	805224A1	MOTOR ASSEMBLY IAC		1	
8	0010	805400	SCREW (#8-32 x .500) Stainless Steel		2	
9	0025	808547	O-RING		1	
10	0000	805226A1	SENSOR ASSEMBLY TPS		1	
11	0010	805400	SCREW (#8-32 x .500) Stainless Steel		2	
12	0000	852955	REGULATOR KIT Fuel Pressure		1	
13	0000	852956A1	INJECTOR KIT		1	
14	0027	852957	GASKET KIT Overhaul		1	
15	0010	852958	SCREW KIT		1	
16	0000	807399T	SENSOR Fuel Pressure		1	
17	0022	29085	FITTING Elbow (45 Degree)		1	
-	0027	807756A96	GASKET SET Engine Overhaul		1	

PART NOTES:

[1] - COMPONENT OF ENGINE OVERHAUL GASKET SET 807756A96

Exhaust Manifold and Exhaust Elbow (2 Piece)



1301

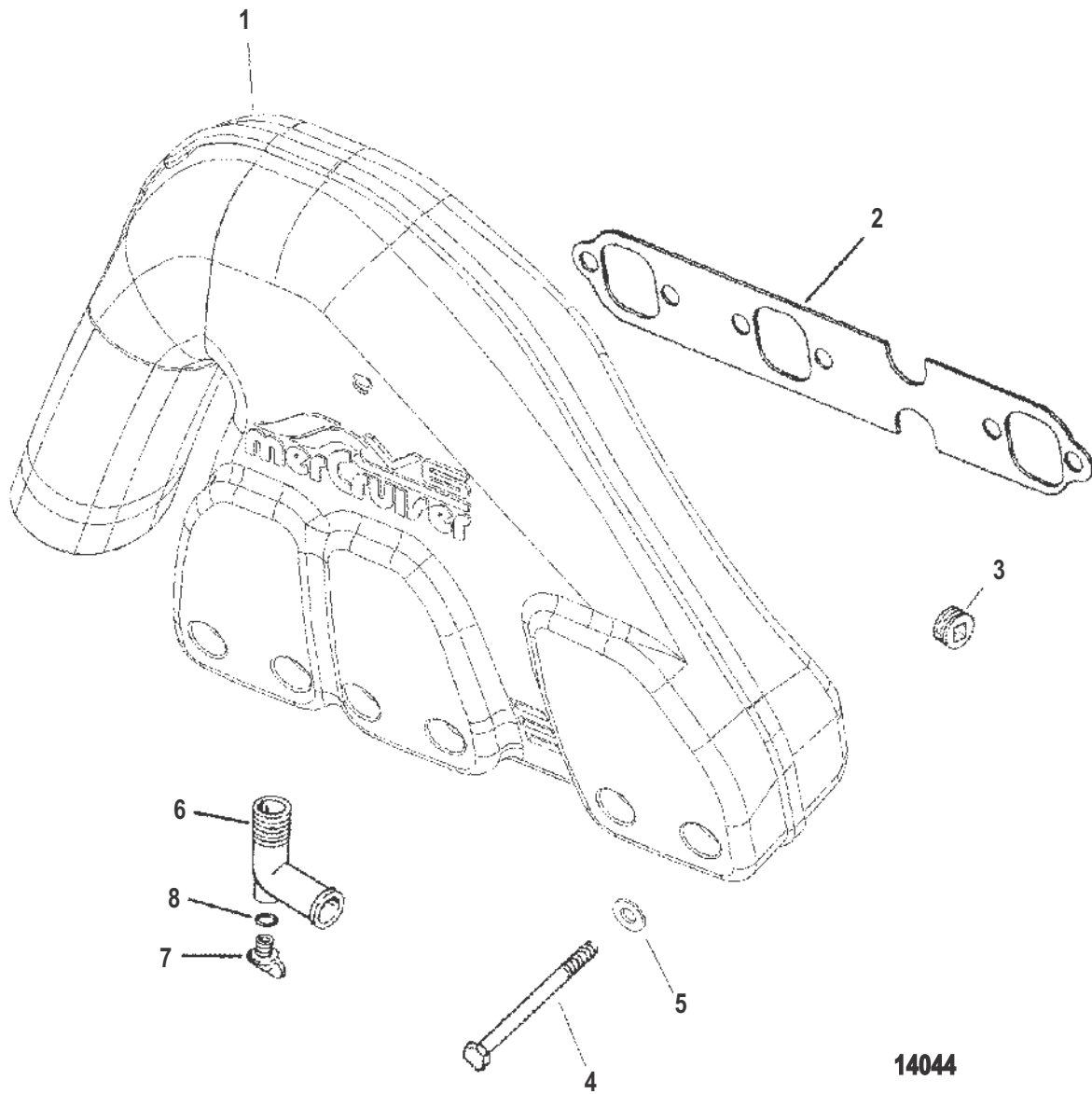
Exhaust Manifold and Exhaust Elbow (2 Piece)

Ref #	Part Class	Part Number	Description	Comments	Qty	Note
1	0000	99746A17	MANIFOLD ASSEMBLY Exhaust		2	
2	0022	861187	PLUG (.750-14) Pipe		4	
3	0027	99757	GASKET		2	[1]
4	0022	806926A1	ELBOW KIT Drain		2	
5	0022	806608A1	PLUG KIT (.500-13) Royal Blue		2	[2]
6	0025	32509	O-RING (.489 x .070)		2	[1]
7	0010	53728	SCREW (.375-16 x 4.75)		12	
8	0027	860232	GASKET		2	
9	0000	807988A2	ELBOW ASSEMBLY Exhaust		2	
10	0022	861187	PLUG (.750-14) Pipe		2	
11	0010	43749	SCREW (.375-16 x 5.750)		8	
11	0010	43749	SCREW (.375-16 x 5.750)	SWISS EMISSIONS BSO1 & SAV1	4	
11	0010	843504	SCREW (.380-16 x 1.500) Stainless Steel	SWISS EMISSIONS BSO1 & SAV1	4	
12	0000	93320A5	RISER KIT Exhaust (3 Inches)		1	
12	0000	93322A7	RISER KIT Exhaust (6 Inches)		1	
13	0022	861187	PLUG (.750-14) Pipe		2	
14	0022	328022	PLUG Pipe (.125-27) Brass		2	
15	0027	860232	GASKET		2	
16	0016	11375	STUD (.375 x 9.56)	USE WITH 3 IN. RISER	8	
17	0012	46132	WASHER	USE WITH 3 IN. RISER	8	
18	0011	46335	NUT (.375-24)	USE WITH 3 IN. RISER	8	
19	0010	12244	SCREW (.375-16 x 1.00)	USE WITH 6 IN. RISER	8	
20	0022	73379	PLUG (.250-18)		2	
NS	0010	24323	SET SCREW (.250-20 x 1.25)		3	
21	0000	818598T	BRACKET	USE WITH 6 IN. RISER	1	
22	0012	35462	WASHER (.2656 x .625 x .0625) Stainless Steel	USE WITH 6 IN. RISER	3	
23	0010	805733	SCREW (.250-28 x 1.00)	USE WITH 6 IN. RISER	3	
24	0011	35045	NUT (.250-28)	USE WITH 6 IN. RISER	3	
-	0027	807756A96	GASKET SET Engine Overhaul		1	

PART NOTES:

- [1] - COMPONENT OF ENGINE OVERHAUL GASKET SET 807756A96
- [2] - Alternate part numbers:
806608A 1Service Part
806608Q01QS

Exhaust Manifold (1 Piece)



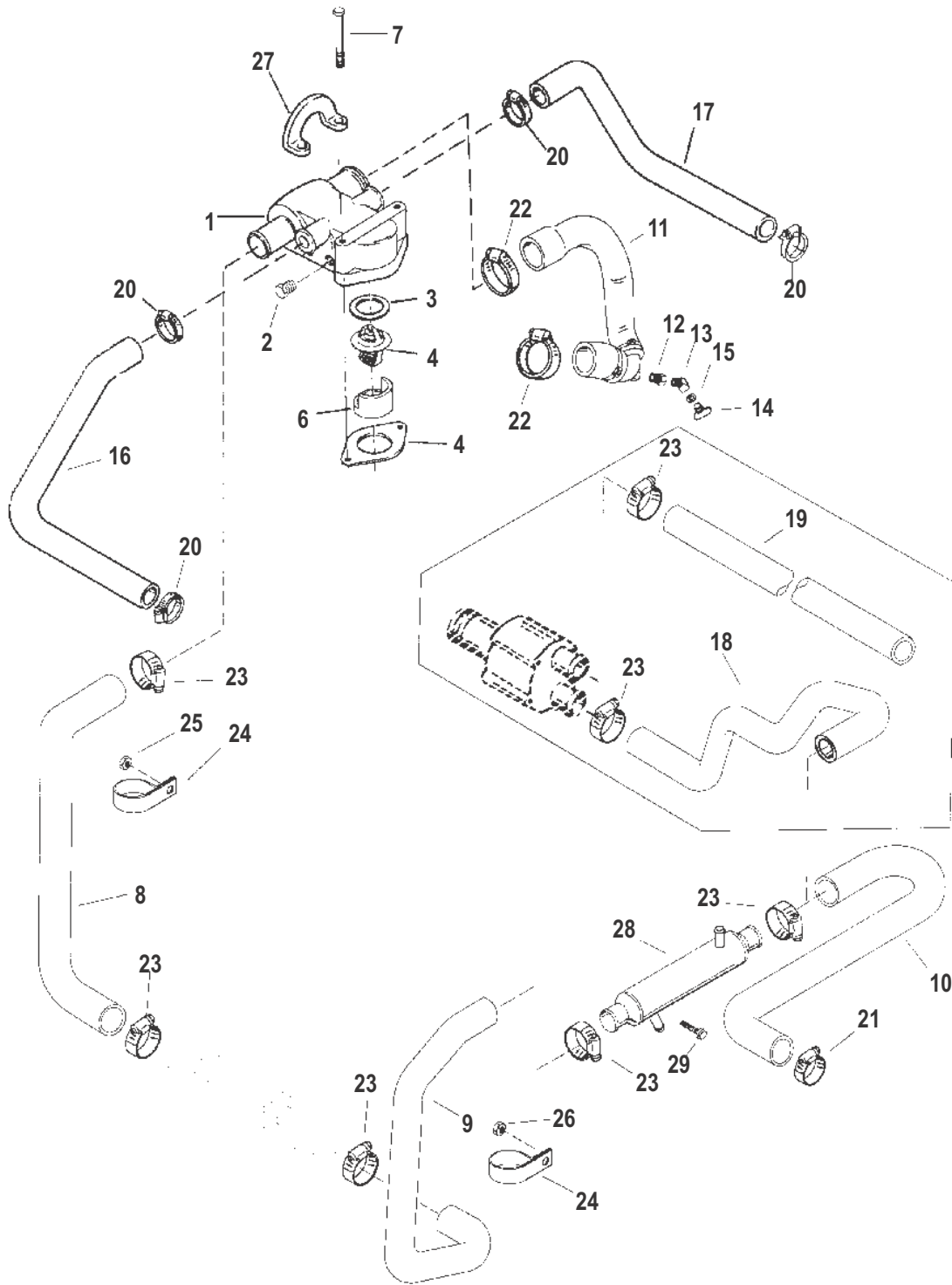
Exhaust Manifold (1 Piece)

Ref #	Part Class	Part Number	Description	Comments	Qty	Note
1	0000	807293A2	MANIFOLD ASSEMBLY Exhaust	(STARBOARD)	1	
1	0000	807294A3	MANIFOLD ASSEMBLY Exhaust	(PORT)	1	
2	0027	99757	GASKET		2	[1]
3	0022	861187	PLUG (.750-14) Pipe		4	
4	0010	53728	SCREW (.375-16 x 4.75)		12	
5	0012	46132	WASHER		12	
6	0022	806926A1	ELBOW KIT Drain		2	
7	0022	806608A1	PLUG KIT (.500-13) Royal Blue		2	[2]
8	0025	32509	O-RING (.489 x .070)		2	[1]
-	0027	807756A96	GASKET SET Engine Overhaul		1	

PART NOTES:

- [1] - COMPONENT OF ENGINE OVERHAUL GASKET SET 807756A96
- [2] - Alternate part numbers:
806608A 1Service Part
806608Q01QS

Standard Cooling System



12979

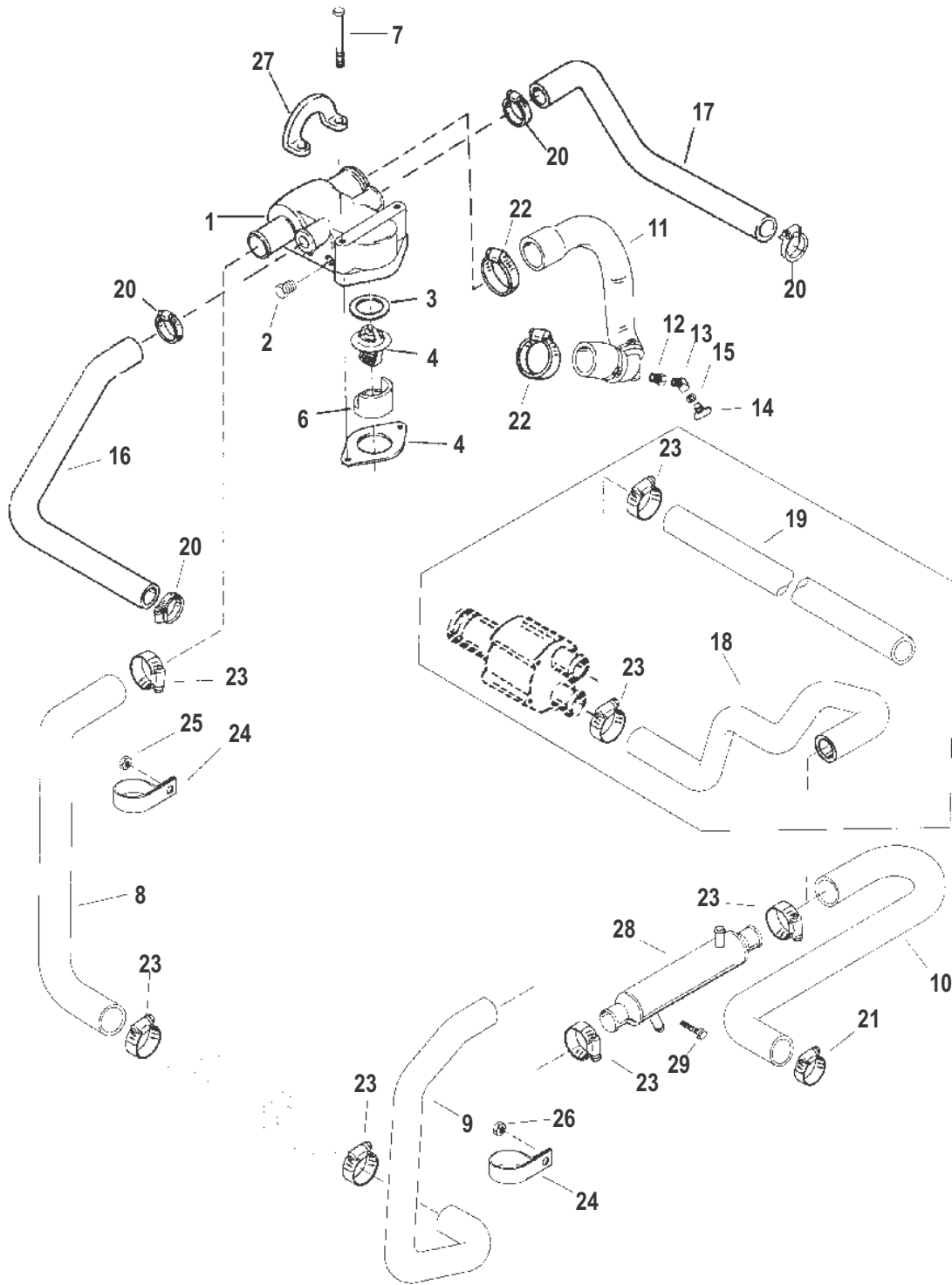
Standard Cooling System

Ref #	Part Class	Part Number	Description	Comments	Qty	Note
1	0000	860256A3	HOUSING ASSEMBLY Thermostat	(ALPHA)	1	
1	0000	860256A4	HOUSING ASSEMBLY Thermostat	(BRAVO)	1	
2	0022	32803	PLUG Pipe (.375-18) Brass		2	
3	0027	806871	GASKET		1	[1]
4	0027	530451	GASKET		1	[2]
5	0000	807252T2	THERMOSTAT 71DegreeC (160 Degree F)		1	[3]
6	0023	806922	SLEEVE		1	
7	0010	98508	SCREW (.375-16 x 3.00)		2	
8	0032	808033	HOSE Molded		1	
9	0032	860206	HOSE Fuel Cooler to Power Steering Cooler		1	
10	0032	807661	HOSE	ALPHA ENGINES	1	
11	0032	861590A2	HOSE ASSEMBLY Thermostat Housing to Water Pump With Drain		1	
12	0022	860088	BUSHING		1	
13	0022	37682	FITTING Elbow (45 Degree)		1	
14	0022	806608A1	PLUG KIT (.500-13) Royal Blue		1	[4]
15	0025	32509	O-RING (.489 x .070)		1	
16	0032	860144	HOSE Thermostat Housing To Port Exhaust Manifold	(1 PC MANIFOLD)	1	
16	0032	862139	HOSE Thermostat Housing to Port Exhaust Manifold	(2 PC MANIFOLD)	1	
17	0032	807697	HOSE Thermostat Housing to Starboard Manifold	(1 PC MANIFOLD) [0L618999] & Below	1	
17	0032	8066362	HOSE Thermostat Housing To Starboard Exhaust Manifold	(1 PC. MANIFOLD) [0L619000] & Up	1	
17	0032	862124	HOSE Thermostat Housing to Starboard Manifold	(2 PC. MANIFOLD) [0L619000] & Up	1	
18	0032	860205	HOSE Oil Cooler to Sea Water Pump	(BRAVO)	1	
19	0032	1743579	HOSE (96.00 Inches Bulk)	(BRAVO)	1	
20	0054	815504220	CLAMP Worm Gear		4	
21	0054	815504212	CLAMP Worm Gear		1	
22	0054	815504232	CLAMP Worm Gear (2.50 Diameter)		2	
23	0054	815504222	CLAMP Worm Gear (1.98 Diameter)		8	
24	0054	816398	CLIP		2	
25	0011	29250	NUT (.312-24)		1	
26	0011	4013610	NUT (M10) Stainless Steel		1	
27	0000	12552	LIFTING EYE		1	
28	0000	861554T	COOLER		1	
29	0010	816585	SCREW (.312-18 x .875)	Metal Cooler	1	
29	0010	8M2016106	SCREW (.312 x 1.25)	Composite Cooler (Included with 861554T02)	1	
NS	0019	8079923	COVER Hose Clamp End		AR	
-	0027	807756A96	GASKET SET Engine Overhaul		1	

PART NOTES:

[1] - COMPONENT OF ENGINE OVERHAUL GASKET SET 807756A96

Standard Cooling System

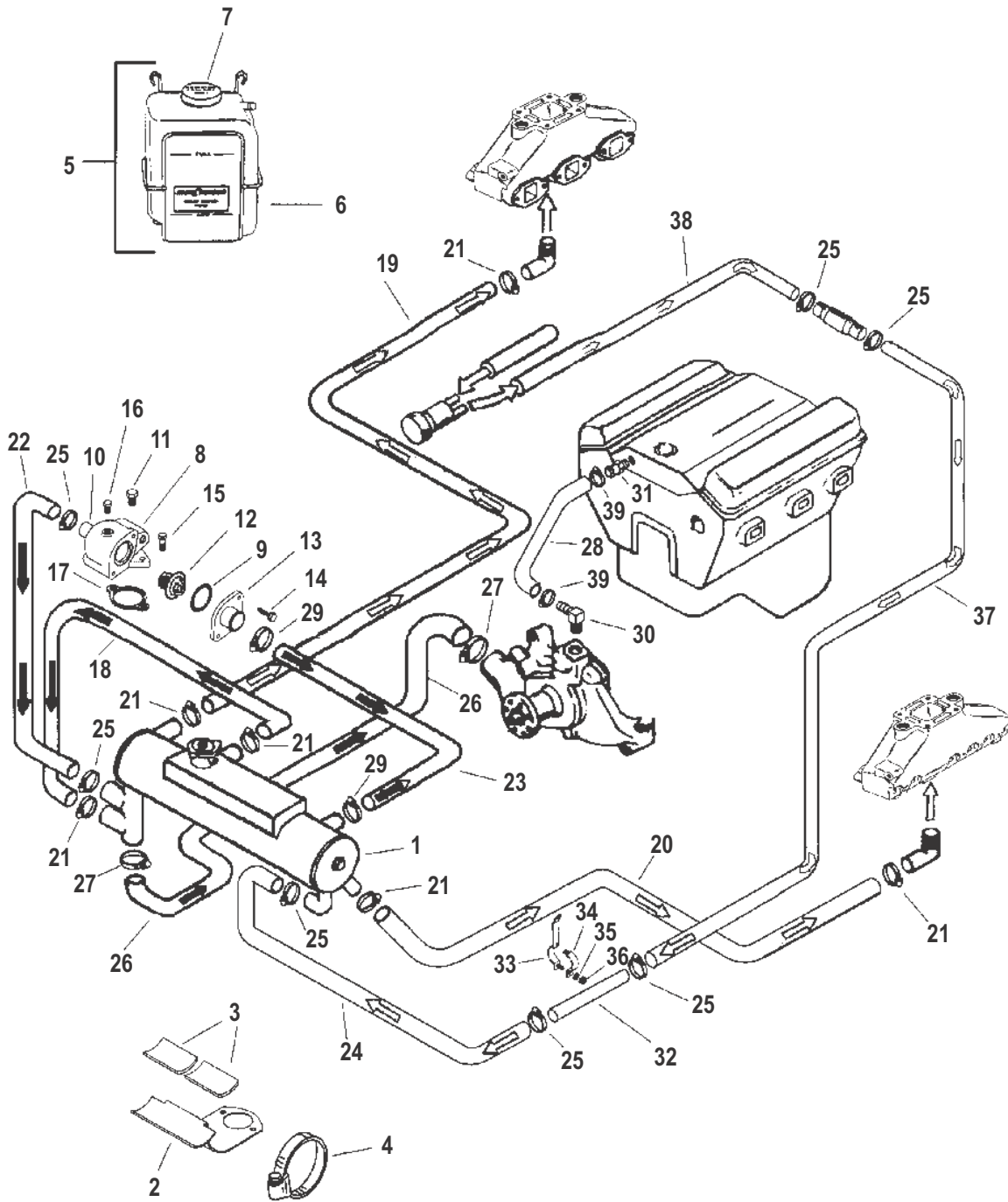


12979

Standard Cooling System

- [2] - Alternate part numbers:
 - 53045 1Service Part
 - 53045Q01QS
 - COMPONENT OF ENGINE OVERHAUL GASKET SET 807756A96
- [3] - Alternate part numbers:
 - 807252Q 5QS Kit
 - 807252T 2Service Part
 - 807252T 5MPP Kit
- [4] - Alternate part numbers:
 - 806608A 1Service Part
 - 806608Q01QS

Closed Cooling System



1786

RESOURCE NOTES:

NOTE: 71587A10 COOLANT RECOVERY SYSTEM IS SOLD AS A COMPLETE KIT ONLY. THE COMPONENT PARTS CAN BE PURCHASED LOCALLY.

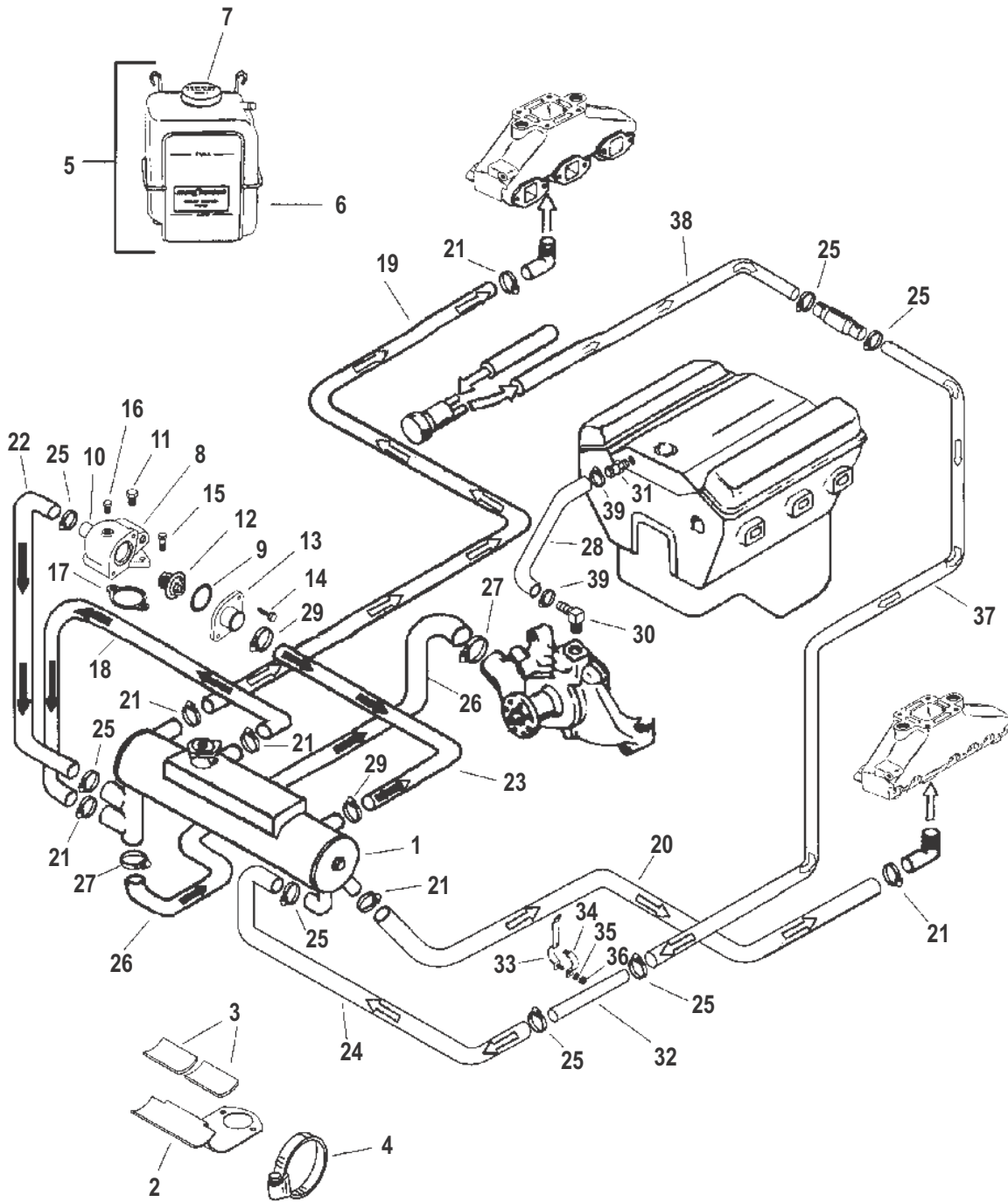
Closed Cooling System

Closed Cooling System

Ref #	Part Class	Part Number	Description	Comments	Qty	Note
1	0000	860234A1	HEAT EXCHANGER		1	
NS	0000	814875	COVER Heat Exchanger End		2	
NS	0027	803644	GASKET		2	
NS	0010	814877	BOLT		2	
NS	0025	814878	O-RING Special		2	
NS	0036	8148791	CAP		1	
2	0000	860326A2	BRACKET ASSEMBLY Heat Exchanger		1	
3	0000	18431	PAD		2	
4	0054	815504388	CLAMP Worm Gear		2	
5	0000	71587A10	RECOVERY KIT Coolant	(SEE NOTE)	1	
NS	0032	774572	HOSE (48.00 Inches Bulk)		1	
6	0000	71587A11	BOTTLE Plastic		1	
7	0000	72058	CAP		1	
8	0000	861188A1	HOUSING ASSEMBLY Thermostat		1	
9	0025	8071341	SEAL		1	[1]
10	0023	52020	SLEEVE Hose		1	
11	0022	32803	PLUG Pipe (.375-18) Brass		1	
12	0000	991551	THERMOSTAT		1	[2]
13	0000	807075A1	COVER		1	
14	0010	29198	SCREW AND LOCKWASHER (.312-18 x .875)		2	
15	0010	58640	SCREW (.375-16 x 1.25)		2	
16	0022	328022	PLUG Pipe (.125-27) Brass		1	
17	0027	530451	GASKET		2	[3]
18	0032	4285069	HOSE (44.00 Inches Bulk)		1	
19	0032	860327	HOSE	(STARBOARD)(2 PC MANIFOLD)	1	
19	0032	860421	HOSE Heat Exchanger To Exhaust Manifold	(STARBOARD)(1 PC MANIFOLD)	1	
20	0032	862150	HOSE Heat Exchange To Exhaust Manifold.	(PORT)(2 PC MANIFOLD)	1	
20	0032	862125	HOSE Heat Exchanger To Exhaust Manifold	(PORT)(1 PC MANIFOLD)	1	
21	0054	815504220	CLAMP Worm Gear		6	
22	0032	860485	HOSE Thermostat By-Pass		1	
23	0032	860419	HOSE Thermostat Housing To Heat Exchanger		1	
24	0032	860332	HOSE		1	
25	0054	815504222	CLAMP Worm Gear (1.98 Diameter)		6	
26	0032	861059	HOSE		1	
27	0054	815504232	CLAMP Worm Gear (2.50 Diameter)		2	
28	0032	8059871	HOSE Water Pump To Intake Manifold		1	
29	0054	815504228	CLAMP Worm Gear		2	
30	0022	860346	FITTING Elbow (90 Degree) (.750)		1	
31	0022	806242	CONNECTOR (1/2-14)		1	
32	0000	860315A1	TUBE Hose Extender		1	

Closed Cooling System

Closed Cooling System



1786

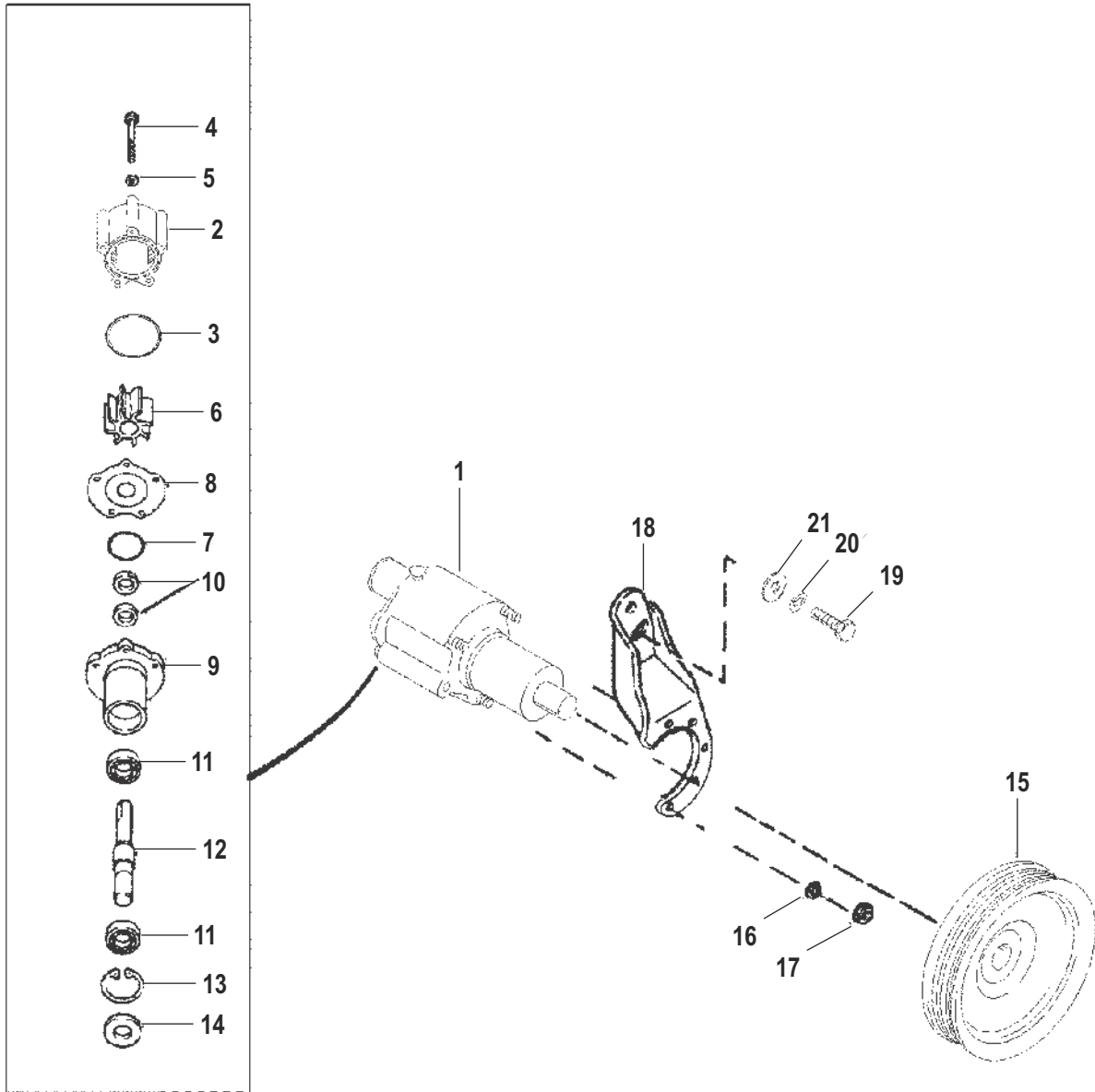
Closed Cooling System

Ref #	Part Class	Part Number	Description	Comments	Qty	Note
33	0000	860418T	BRACKET		1	
34	0000	860417T	CLAMP		1	
35	0012	35462	WASHER (.2656 x .625 x .0625) Stainless Steel		1	
36	0011	72008	NUT (.250-20)		1	
37	0032	860206	HOSE Fuel Cooler to Power Steering Cooler		1	
38	0032	860205	HOSE Oil Cooler to Sea Water Pump		1	
39	0054	815504212	CLAMP Worm Gear		4	
NS	0019	8079923	COVER Hose Clamp End		AR	
-	0027	807756A96	GASKET SET Engine Overhaul		1	

PART NOTES:

- [1] - COMPONENT OF ENGINE OVERHAUL GASKET SET 807756A96
- [2] - Alternate part numbers:
 - 99155 1Service Part
 - 99155T 1Kit
- [3] - Alternate part numbers:
 - 53045 1Service Part
 - 53045Q01QS
 - COMPONENT OF ENGINE OVERHAUL GASKET SET 807756A96

Sea Water Pump (Use With Bravo Engines)



14160

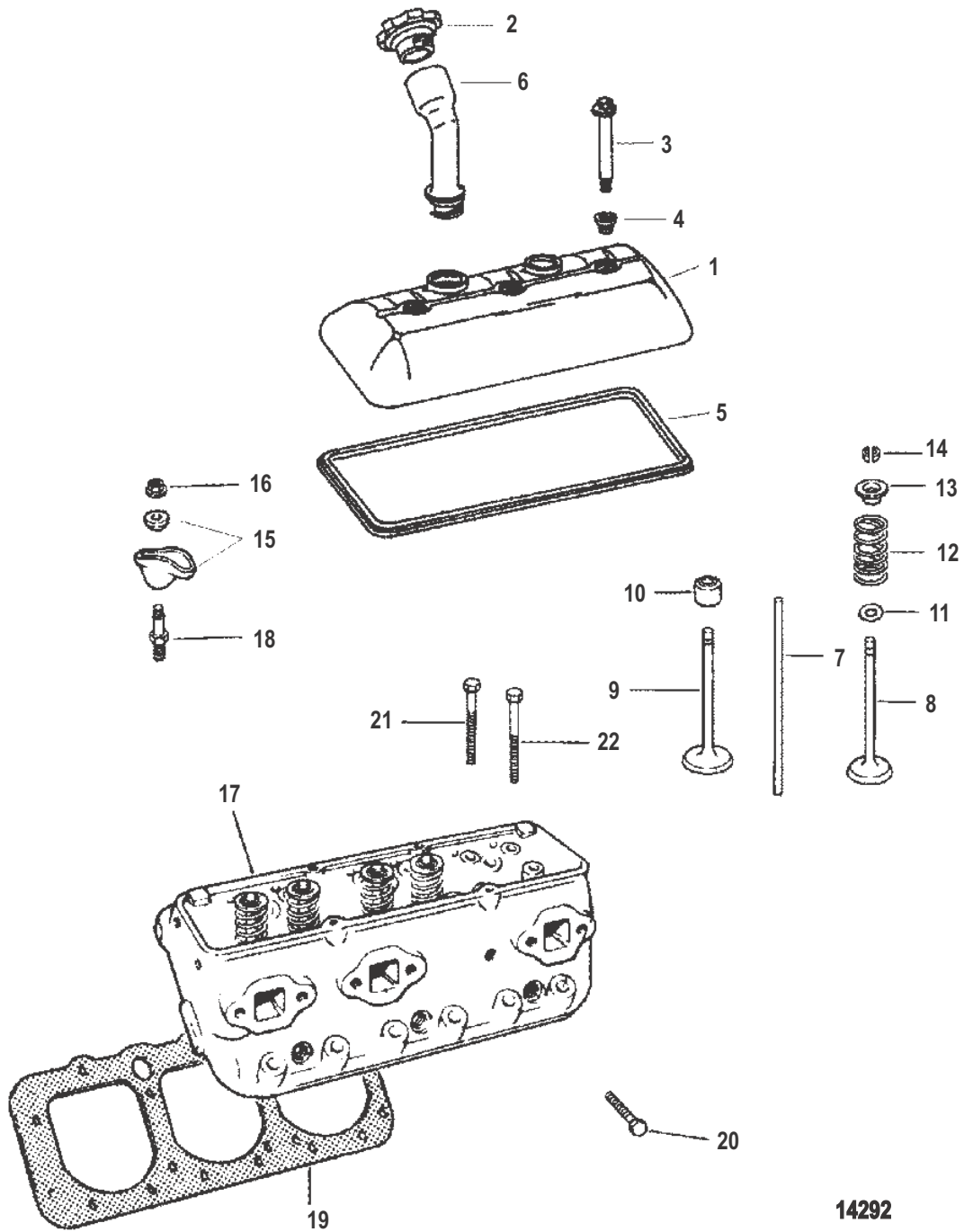
Sea Water Pump (Use With Bravo Engines)

Ref #	Part Class	Part Number	Description	Comments	Qty	Note
1	0046	807151A9	PUMP ASSEMBLY Sea Water		1	
2	0046	807151A14	BODY/IMPELLER KIT		1	
3	0025	33465	O-RING		1	
4	0010	807356	SCREW (.312-18 x 2.680)		2	
4	0010	74191	SCREW (.312-18 x 3.250)		3	
5	0012	814806	WASHER (.344 x .688 x .065) Stainless Steel		5	
6	0047	59362T1	IMPELLER		1	[1]
7	0025	94288	QUAD RING		1	
8	0000	94576	WEAR PLATE (INNER)		1	
9	0046	94913A5	HOUSING ASSEMBLY Pump		1	
10	0026	90562	SEAL (1.254 x .312)		2	
11	0030	72961	BEARING Ball		2	
12	0000	59501A1	SHAFT		1	
13	0053	23720	RING Retaining		1	
14	0026	72785	SEAL		1	
15	0000	861579	PULLEY		1	[2]
16	0013	39107	LOCKWASHER (.312-24)		3	
17	0011	21908	NUT (.312-18) Cad Plated		3	
18	0000	8077491	BRACKET		1	
19	0010	34353	SCREW (.375-16 x 1.00)		2	
20	0013	35048	LOCKWASHER (.375)		2	
21	0012	34714	WASHER		1	

PART NOTES:

- [1] - Alternate part numbers:
59362Q01QS
59362T 1Service Part
- [2] - FOR DETAILS, REFER TO MERCUISER PARTS BULLETIN 98-1

Cylinder Head and Rocker Cover



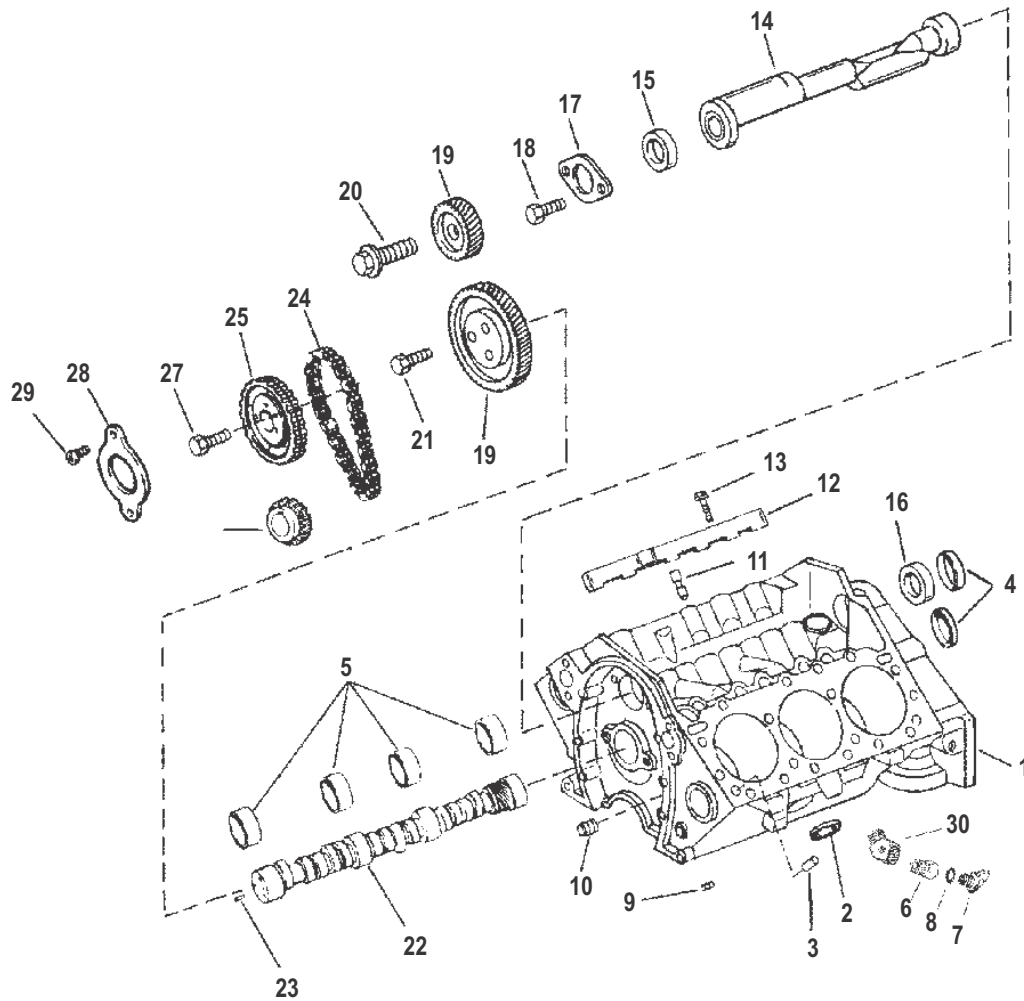
Cylinder Head and Rocker Cover

Ref #	Part Class	Part Number	Description	Comments	Qty	Note
1	0000	827149	COVER Rocker	Without oil fill opening	1	
1	0000	827150	COVER Rocker	With oil fill opening	1	
2	0036	827151	CAP Oil Fill		1	
3	0010	827153	SCREW		6	
4	0025	827155	O-RING		6	
5	0027	827154	GASKET Rocker Cover		2	[1]
6	0000	806754T	TUBE Oil Fill		1	
7	0000	173391	PUSH ROD		12	
8	0000	8243171	VALVE Exhaust	(STANDARD)	6	
8	0000	8243181	VALVE Exhaust	(.030 O.S.)	AR	
9	0000	809992	VALVE Intake	(STANDARD)	6	
10	0000	34518	SHIELD		12	
11	0026	976641	SEAL	(Intake)	6	[1]
11	0026	34217	SEAL	(Exhaust)	6	[1]
12	0024	483471	SPRING		12	
13	0000	483481	CAP		12	
14	0028	547971	KEY		24	
15	0000	824335T	ROCKER ARM AND BALL KIT		12	
16	0011	801883	NUT		12	
17	0938	8271782	CYLINDER HEAD ASSEMBLY		2	
18	0016	8018821	STUD		12	
19	0027	816460	GASKET		2	[1]
20	0010	11968	SCREW (.437-14 x 1.750)		12	
21	0010	119671	SCREW (.437-14 x 3.00)		4	
22	0010	11966	SCREW (.437-14 x 3.750)		10	
-	0027	807756A96	GASKET SET Engine Overhaul		1	

PART NOTES:

[1] - COMPONENT OF ENGINE OVERHAUL GASKET SET 807756A96

Cylinder Block and Camshaft



14048

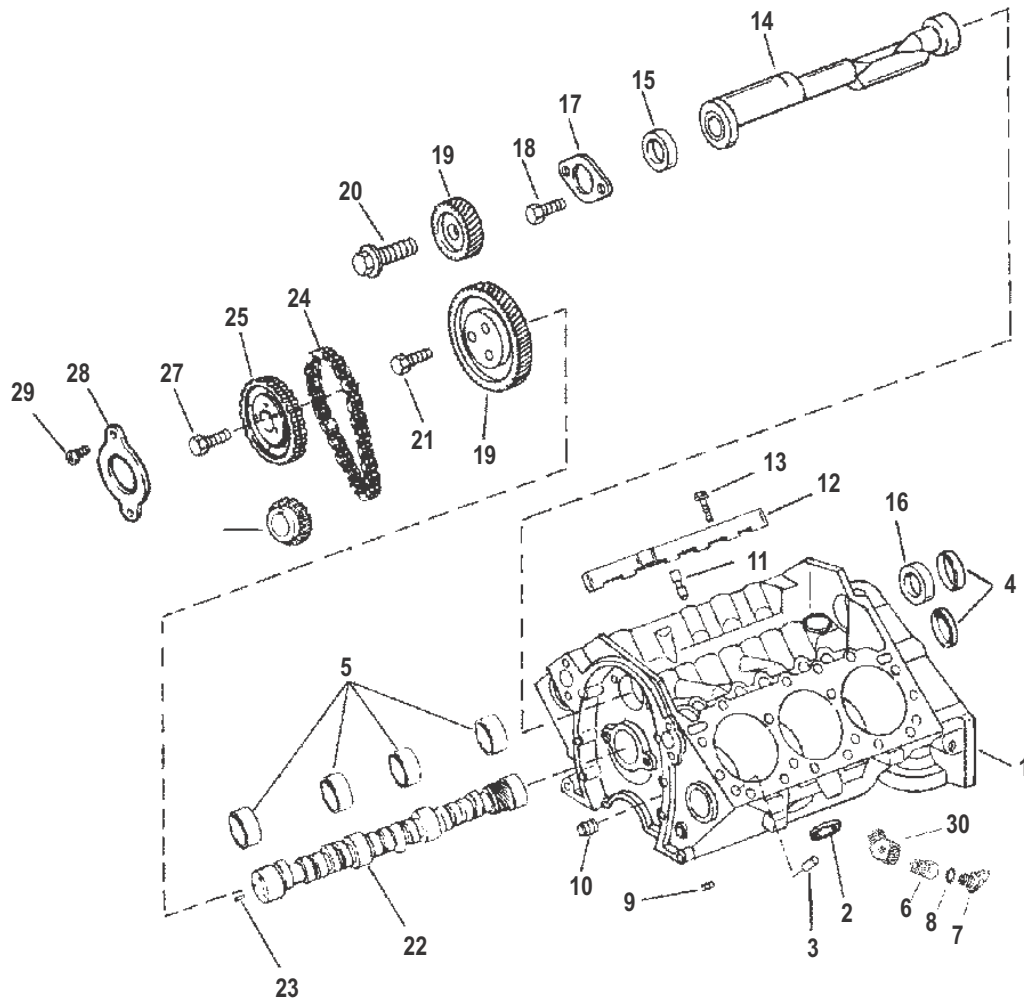
Cylinder Block and Camshaft

Ref #	Part Class	Part Number	Description	Comments	Qty	Note
1		NSS	NOT SOLD SEPARATE Cylinder Block (Order Long Block 807736A1)		1	[1]
2	0019	34270	EXPANSION PLUG (1.625)		6	
3	0017	35465	PIN Dowel (.312)		6	
4	0022	72640	PLUG Expansion		2	
5	0023	802999	BEARING SET		1	
6	0022	860088	BUSHING		1	
7	0022	806608A1	PLUG KIT (.500-13) Royal Blue		2	[2]
8	0025	32509	O-RING (.489 x .070)		2	[3]
9	0022	42796	VALVE Oil Filter Bypass		1	
9	0022	878050	VALVE	(GM BLOCK CODES 0LK, 0LJ)	1	
10	0019	816565	PLUG Cup (.468)		1	
11	0000	8118441	LIFTER Roller		12	
11	0000	878051	LIFTER Roller	(GM BLOCK CODE 0LK, 0LJ)	12	
12	0000	8243311	RETAINER Lifter		2	
13	0010	8243321	SCREW (.312-18 x .625)		4	
14	0000	8241481	BALANCED SHAFT		1	
15		NSS	NOT SOLD SEPARATE Ball Bearing (FRONT)		1	
16	0031	824150	BEARING Needle (REAR)		1	
17	0000	824153	RETAINER Balance Shaft		1	
18	0010	17343	SCREW (.250-20 x .500)		2	
19	0043	8241511	GEAR KIT		1	
20	0010	824152	SCREW		1	
21	0010	824329	SCREW (.312-18 x .750)		3	
22	0431	803186	CAMSHAFT		1	
23	0017	353121	PIN Dowel		1	
24	0000	17161T	CHAIN Timing		1	
25	0043	824328	SPROCKET Camshaft		1	
26	0043	17160	SPROCKET Crankshaft		1	
27	0010	824329	SCREW (.312-18 x .750)		3	
28	0000	824333	RETAINER Camshaft		1	
29	0010	824334	SCREW (.250-20 x .500)		2	
30	0022	37682	FITTING Elbow (45 Degree)		1	
-	0000	861740A1	MARINE LONG BLOCK ENGINE		1	
-	0027	807756A96	GASKET SET Engine Overhaul		1	
-	0092	809825	RTV SILICONE (3 Ounce Tube) Metallic Blue		1	
-	0092	342271	SEALING COMPOUND (16 Ounce)		1	

PART NOTES:

- [1] - NOT SOLD SEPARATE
 [2] - Alternate part numbers:
 806608A 1Service Part
 806608Q01QS

Cylinder Block and Camshaft



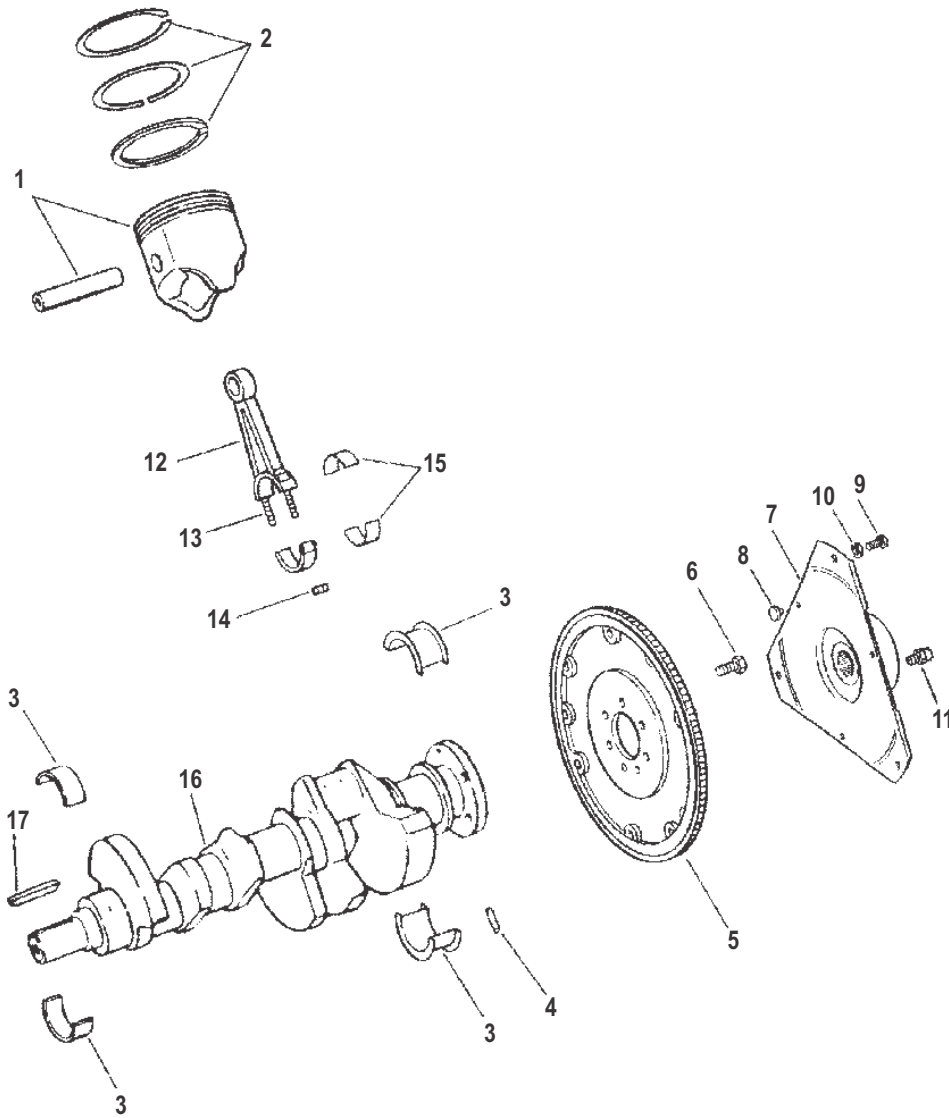
14048

Cat.# 90-83498799

Cylinder Block and Camshaft

[3] - COMPONENT OF ENGINE OVERHAUL GASKET SET 807756A96

Crankshaft and Pistons

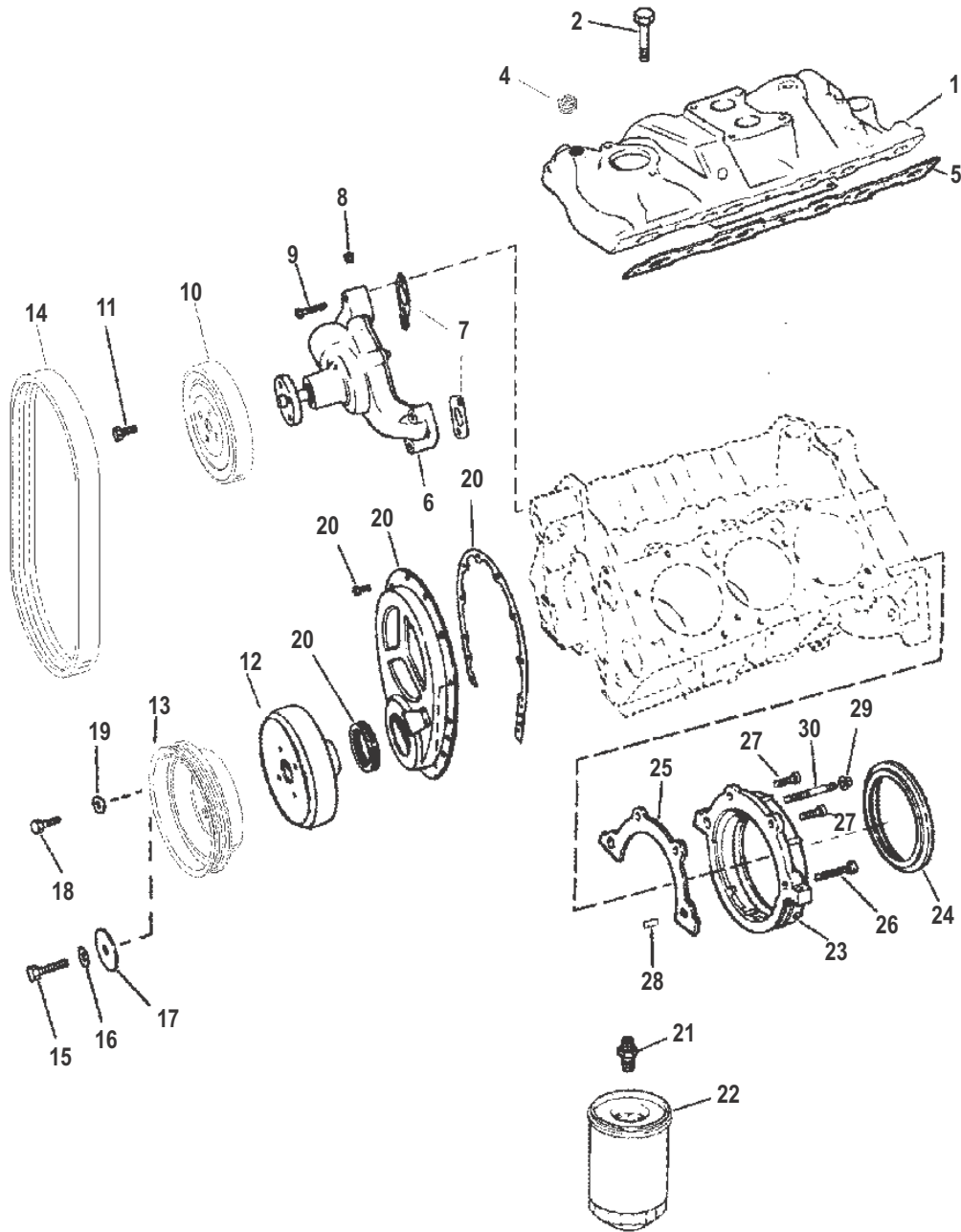


14049

Crankshaft and Pistons

Ref #	Part Class	Part Number	Description	Comments	Qty	Note
1	0735	835001T	PISTON ASSEMBLY	(STANDARD)	6	
1	0735	835002T	PISTON ASSEMBLY	(.5MM OVERSIZE)	AR	
2	0039	801861T1	RING SET Piston	(STANDARD)	6	
2	0039	835000	RING SET Piston	(.5MM OVERSIZE)	AR	
3	0023	818465	BEARING SET 5 Pair	(STANDARD)	1	
3	0023	818466	BEARING SET 5 Pair	(.001 OVERSIZE)	AR	
3	0023	818467	BEARING SET 5 Pair	(.010 OVERSIZE)	AR	
3	0023	818468	BEARING SET 5 Pair	(.020 OVERSIZE)	AR	
4	0017	43504	PIN Dowel		1	
5	0222	8243201	FLYWHEEL	(GM BLOCK CODE 8LK, 8LJ)	1	
5	0222	804913	FLYWHEEL	(GM BLOCK CODE 9LK, 9LJ, 0LK, 0LJ)	1	
6	0010	49845	SCREW (.437-20 x 1.00)		6	
7	0000	18643A5	COUPLING ASSEMBLY		1	
8	0000	18644	BUMPER Rubber		3	
9	0010	14883	SCREW (.375-16 x 1.12)		3	
10	0012	13510	WASHER		3	
11	0022	74036	FITTING Grease		1	
12	0614	811839T	CONNECTING ROD		6	
13	0010	11969	BOLT		12	
14	0011	37493	NUT (.375-24)		12	
15	0023	11992	BEARING	(STANDARD - PAIR)	6	
15	0023	11993	BEARING	(.001 OVERSIZE - PAIR)	AR	
15	0023	811858	BEARING	(.010 OVERSIZE - PAIR)	AR	
15	0023	811859	BEARING	(.020 OVERSIZE - PAIR)	AR	
16	0429	95171	CRANKSHAFT	(GM BLOCK CODE 8LK, 8LJ)	1	
16	0429	804911	CRANKSHAFT	(GM BLOCK CODE 9LK, 9LJ, 0LK, 0LJ)	1	
17	0028	8184851	KEY		1	

Intake Manifold and Front Cover



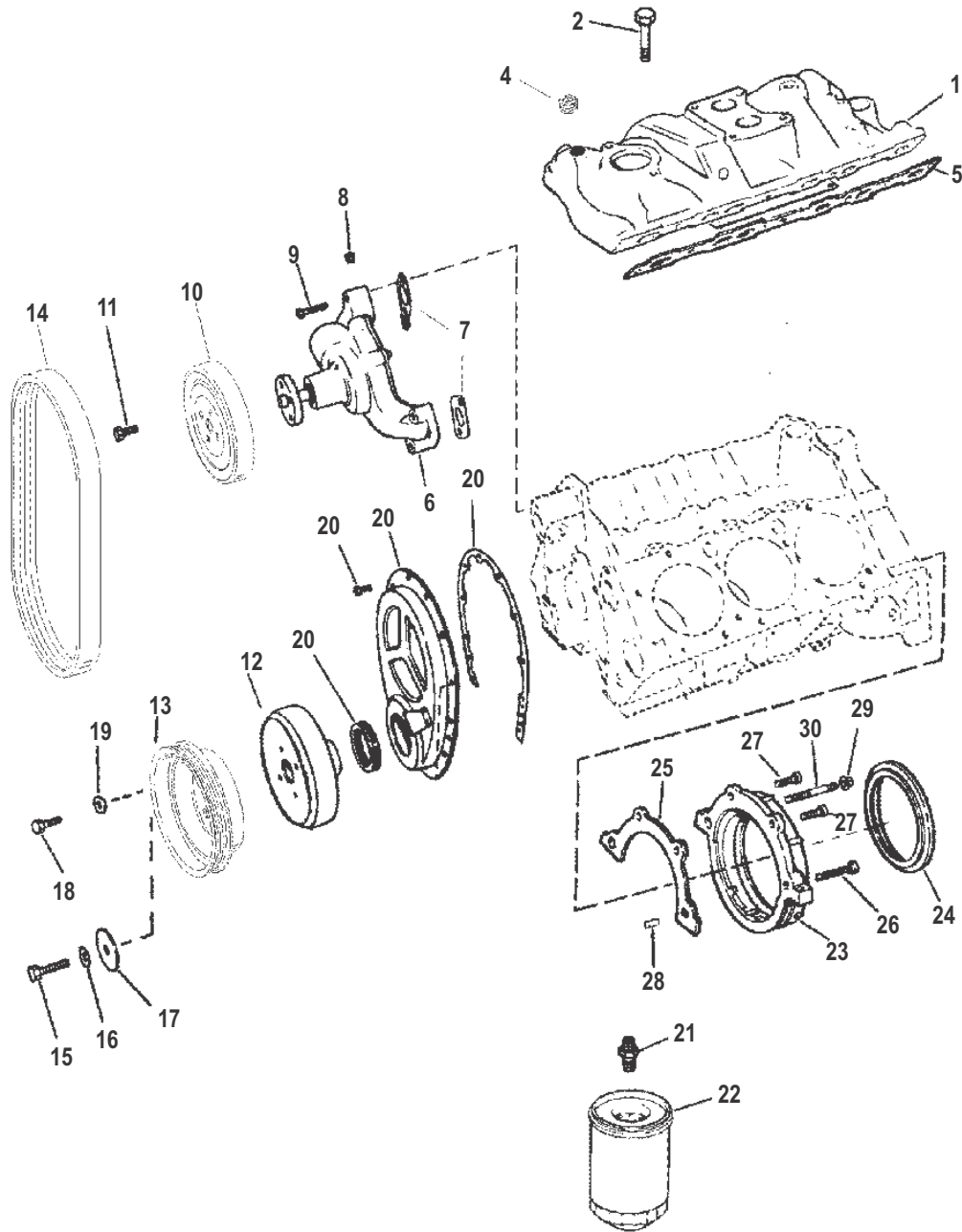
12985

Intake Manifold and Front Cover

Ref #	Part Class	Part Number	Description	Comments	Qty	Note
1	0000	824330T1	MANIFOLD Intake		1	
2	0010	835004	BOLT (.312-18 x 1.75)		8	
3	0010	11975	BOLT (3/8-16 x 1.25)		4	
4	0022	75983	PLUG		1	
5	0027	8243261	GASKET SET		1	[1]
6	0000	850399	PUMP ASSEMBLY Water		1	
7	0027	34897	GASKET		2	[1]
8	0022	48336	PLUG Water Pump		1	
9	0010	32132	SCREW (.375-16 x 1.750)		1	
9	0010	47688	SCREW (.375-16 x 2.750)		1	
9	0016	35342	STUD (.312-24/.375-16 x 2.5625)		2	
10	0000	807729T	PULLEY		1	
11	0010	47277	SCREW (.312-24 x .750)		4	
12	0000	809892	BALANCER Harmonic		1	
13	0000	807730T	PULLEY		1	
14	0057	8077552	BELT Serpentine	(ALPHA)(STANDARD COOLING)(POWER STEERING WITH PLASTIC 4 3/4" PULLEY)	1	
14	0057	8077551	BELT Serpentine	(BRAVO)(STANDARD COOLING)(POWER STEERING WITH PLASTIC 4 3/4" PULLEY)	1	
14	0057	8077556	BELT Serpentine	(ALPHA)(CLOSED COOLING)(POWER STEERING WITH PLASTIC 4 3/4" PULLEY)	1	
14	0057	8077553	BELT Serpentine	(BRAVO)(CLOSED COOLING)(POWER STEERING WITH PLASTIC 4 3/4" PULLEY)	1	
14	0057	861758	BELT Serpentine	(ALPHA)(STANDARD COOLING)(POWER STEERING WITH METAL 5 3/4" PULLEY)	1	
14	0057	861757	BELT Serpentine	(BRAVO)(STANDARD COOLING)(POWER STEERING WITH METAL 5 3/4" PULLEY)	1	
14	0057	861759	BELT Serpentine	(ALPHA)(CLOSED COOLING)(POWER STEERING WITH METAL 5 3/4" PULLEY)	1	
14	0057	861049	BELT Serpentine	(BRAVO)(CLOSED COOLING)(POWER STEERING WITH METAL 5 3/4" PULLEY)	1	
14	0057	8077555	BELT Serpentine	(ALPHA)(STANDARD COOLING) (HYDRAULIC STEERING)	1	

Intake Manifold and Front Cover

Intake Manifold and Front Cover



12985

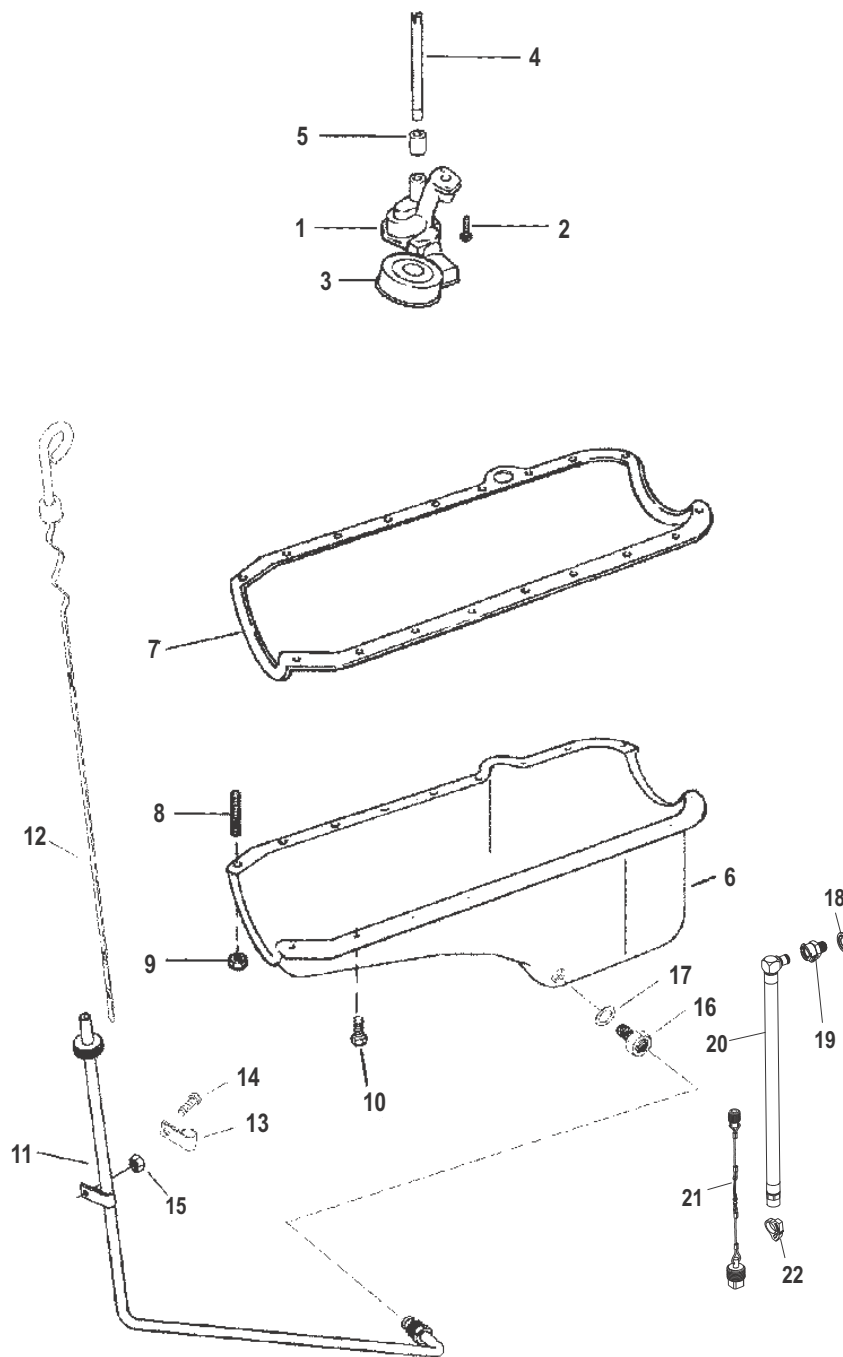
Intake Manifold and Front Cover

Ref #	Part Class	Part Number	Description	Comments	Qty	Note
14	0057	8077555	BELT Serpentine	(ALPHA)(CLOSED COOLING) (HYDRAULIC STEERING)	1	
15	0010	32515	SCREW (.437-20 x 2.50)		1	
16	0013	39131	LOCKWASHER (.437)		1	
17	0012	35332	WASHER		1	
18	0010	34352	SCREW (.375-24 x .875)		3	
19	0012	34714	WASHER		3	
20	0000	809893	TIMING COVER ASSEMBLY (SCREWS, GROMMETS AND OIL SEAL ARE NOT SOLD SEPARATELY)		1	
21	0000	11972	ADAPTER	(W/O REMOTE OIL FILTER)	1	
22	0035	802884Q	FILTER Oil	(W/O REMOTE OIL FILTER)	1	
23	0000	804910	RETAINER Seal		1	
24	0026	804909	SEAL Oil (STAMPED 12555769)		1	[1]
24	0026	852941	SEAL Oil (STAMPED 12554314)		1	[1]
25	0027	14241	GASKET		1	[1]
26	0010	14243	BOLT (.250-20 x 1.750)		1	
27	0010	14242	BOLT (.250-20 x .875)		2	
28	0017	14263	PIN Dowel		1	
29	0011	11996	NUT		1	
30	0016	148271	STUD		1	
-	0027	807756A96	GASKET SET Engine Overhaul		1	

PART NOTES:

[1] - COMPONENT OF ENGINE OVERHAUL GASKET SET 807756A96

Oil Pan and Oil Pump



1249

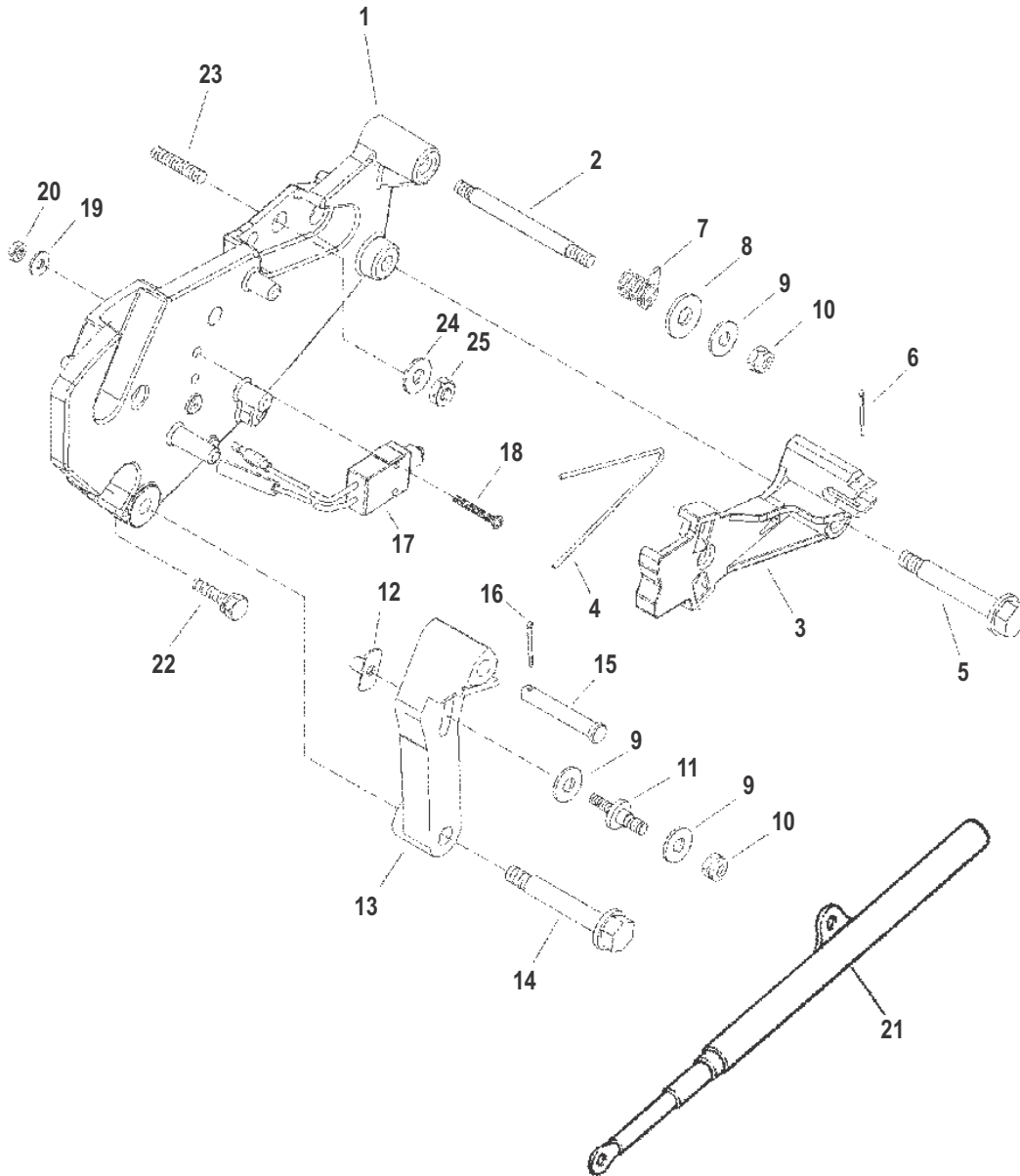
Oil Pan and Oil Pump

Ref #	Part Class	Part Number	Description	Comments	Qty	Note
1	0000	8099071	PUMP ASSEMBLY Oil		1	
2	0010	17346	SCREW		1	
3	0000	8099081	SCREEN		1	
4	0000	36184	SHAFT		1	
5	0023	36183	RETAINER		1	
6	0000	809980T1	PAN Oil (ALUMINUM)	(GM BLOCK CODES 8LK, 9LJ)	1	
6	0000	804912	PAN Oil (ALUMINUM)	(GM BLOCK CODES 9LK, 9LJ, 0LK, 0LJ)	1	
7	0027	14247T1	GASKET SET		1	[1]
8	0016	11989	STUD (.312-18 x 1.6718)		2	
9	0011	11971	NUT (.312-18)		2	
10	0010	726071	SCREW (5/16-18x x .875)		10	
11	0000	860209A1	TUBE Dipstick		1	
12	0000	861942T6	GAUGE Oil Level		1	
13	0054	805625	CLIP Dipstick Tube		1	
14	0010	35366	SCREW		1	
14	0010	40011126	SCREW (M6 x 13) Stainless Steel		1	[2]
15	0011	29250	NUT (.312-24)		1	
16	0022	807804	FITTING		1	
17	0027	49955	GASKET Drain		1	[1]
18	0027	49955	GASKET Drain		1	
19	0022	862812	FITTING Quick Connect (Female)		1	
20	0032	805505A4	HOSE Oil Drain		1	
21	0000	862827	TETHER ASSEMBLY		1	
22	0054	805524	CLIP		1	
-	0027	807756A96	GASKET SET Engine Overhaul		1	

PART NOTES:

- [1] - COMPONENT OF ENGINE OVERHAUL GASKET SET 807756A96
 [2] - METRIC FASTENER CHANGE (S/N 0L320000 AND UP)

Shift Bracket (Alpha Engines)

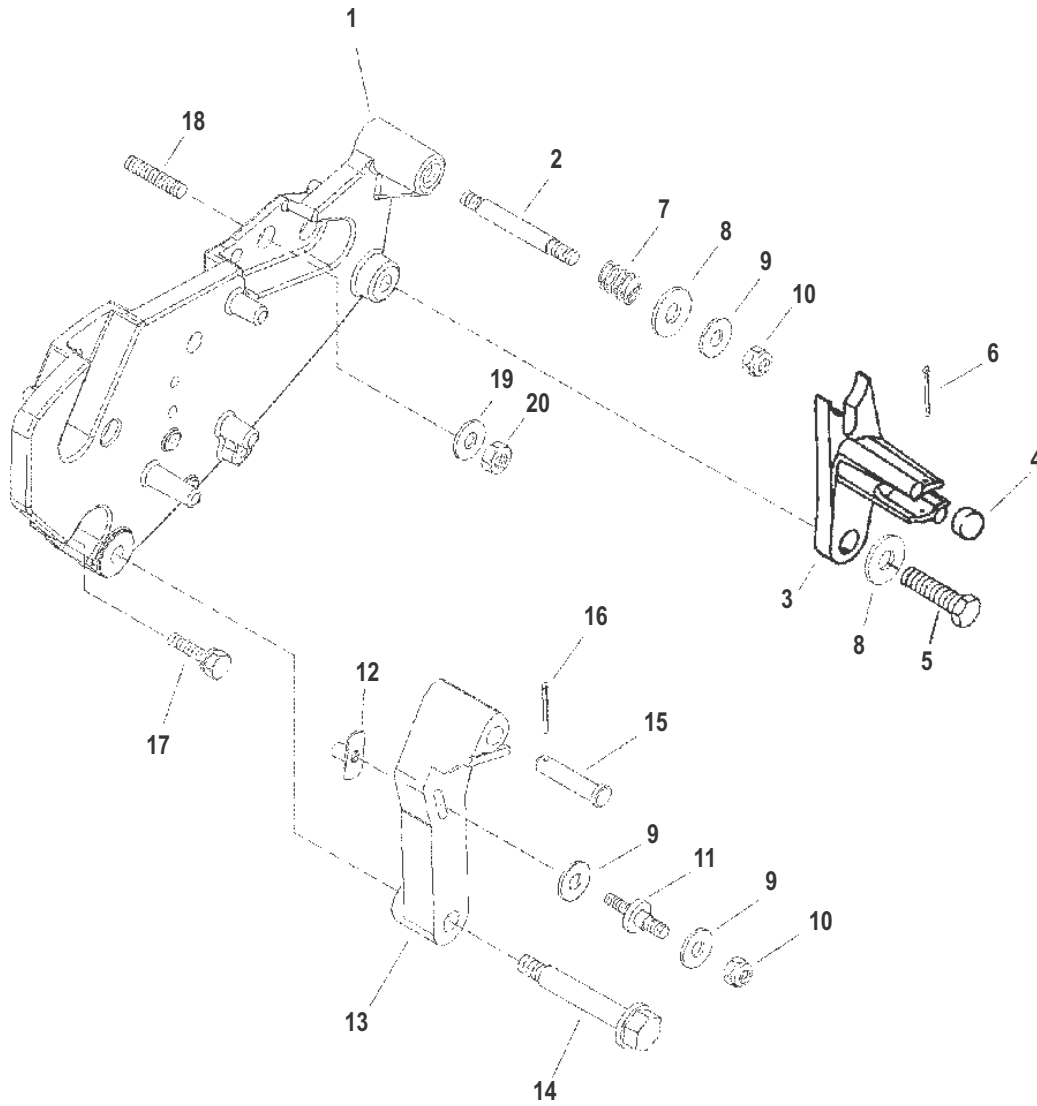


14051

Shift Bracket (Alpha Engines)

Ref #	Part Class	Part Number	Description	Comments	Qty	Note
1	0000	807962A3	BRACKET ASSEMBLY Shift		1	
2	0016	8140021	STUD (.250 x 2.870)		1	
3	0000	13051A8	LEVER ASSEMBLY Actuating		1	
4	0024	455991	SPRING		1	
5	0010	13743	SCREW (.312-18 x 1.843) Shoulder		1	
6	0018	32857	COTTER PIN		1	
7	0024	98880	SPRING		1	
8	0012	56720	WASHER (.330 x .750 x .060) Stainless Steel		1	
9	0012	35462	WASHER (.2656 x .625 x .0625) Stainless Steel		4	
10	0011	13438	NUT (.250-28)		2	
11	0016	96112	STUD (.250-28 x 2.00) Throttle Cable Anchor		1	
12	0011	63341	TEE NUT		1	
13	0000	13898A3	LEVER ASSEMBLY Shift		1	
14	0010	13743	SCREW (.312-18 x 1.843) Shoulder		1	
15	0017	814001	PIN Clevis		1	
16	0018	21071	COTTER PIN		1	
17	0087	808009A1	SWITCH ASSEMBLY		1	
18	0010	860077	SCREW (#6-32 x 1.00)		2	
19	0012	11303	WASHER		2	
20	0011	F1669	NUT (#6-32)		2	
21	0000	813995A1	GUIDE ASSEMBLY Spring		1	
22	0010	657461	SCREW AND LOCKWASHER (.250- 20 x .625)	(2 PC. EXHAUST MANIFOLD)	3	
23	0016	66357	STUD (.250-28 x 1.00)	(1 PC. EXHAUST MANIFOLD)	2	
24	0012	69057	WASHER (.281 x .734 x .063)	(1 PC. EXHAUST MANIFOLD)	2	
25	0011	35045	NUT (.250-28)	(1 PC. EXHAUST MANIFOLD)	2	

Shift Bracket (Bravo Engines)



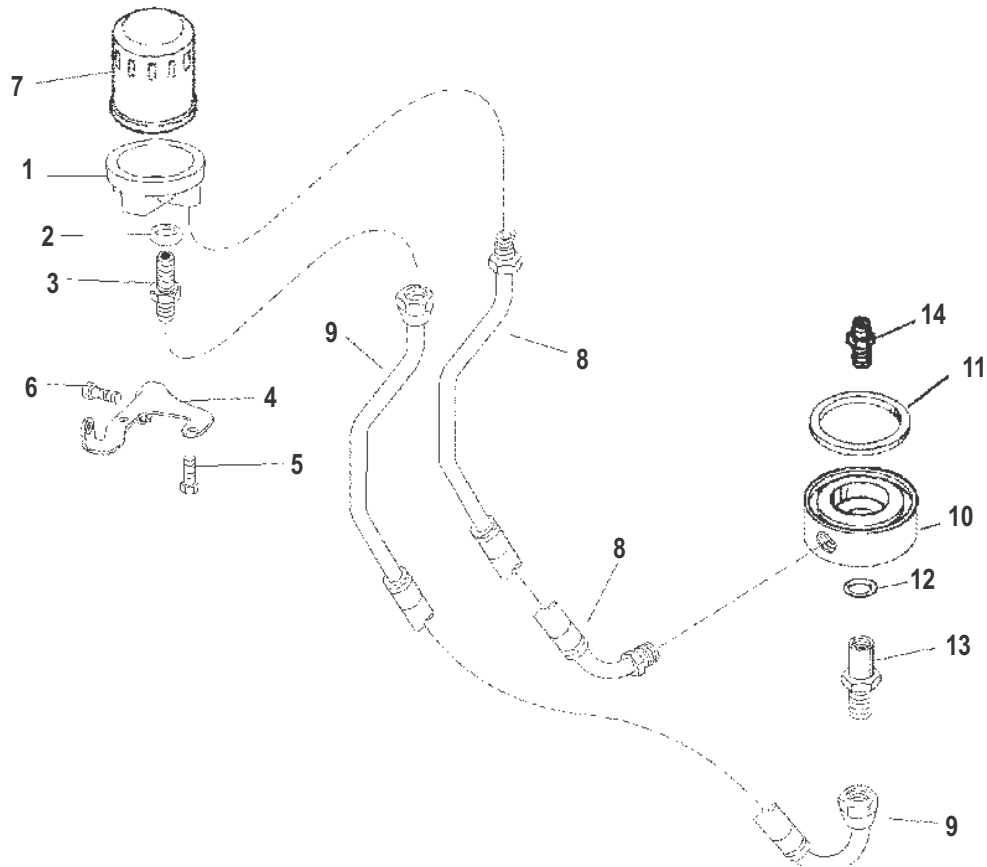
14052

Shift Bracket (Bravo Engines)

Ref #	Part Class	Part Number	Description	Comments	Qty	Note
1	0000	807962A3	BRACKET ASSEMBLY Shift		1	
2	0016	987981	STUD (.250-20/.250-28 x 2.120)		1	
3	0000	123811	RETAINER		1	
4	0023	98828	SPACER		1	
5	0010	53167	SCREW (.312-18 x .880)		1	
6	0018	32857	COTTER PIN		1	
7	0024	98880	SPRING		1	
8	0012	56720	WASHER (.330 x .750 x .060) Stainless Steel		2	
9	0012	35462	WASHER (.2656 x .625 x .0625) Stainless Steel		5	
10	0011	13438	NUT (.250-28)		2	
11	0016	96112	STUD (.250-28 x 2.00) Throttle Cable Anchor		1	
12	0011	63341	TEE NUT		1	
13	0000	138981	LEVER		1	
14	0010	13743	SCREW (.312-18 x 1.843) Shoulder		1	
15	0017	68402	PIN (.250 x 1.13)		1	
16	0018	21071	COTTER PIN		1	
17	0010	657461	SCREW AND LOCKWASHER (.250- 20 x .625)	(2 PC. EXHAUST MANIFOLD)	3	
18	0016	66357	STUD (.250-28 x 1.00)	(1 PC. EXHAUST MANIFOLD)	2	
19	0012	69057	WASHER (.281 x .734 x .063)	(1 PC. EXHAUST MANIFOLD)	2	
20	0011	35045	NUT (.250-28)	(1 PC. EXHAUST MANIFOLD)	2	

Shift Bracket (Bravo Engines)

Remote Oil Filter



14053

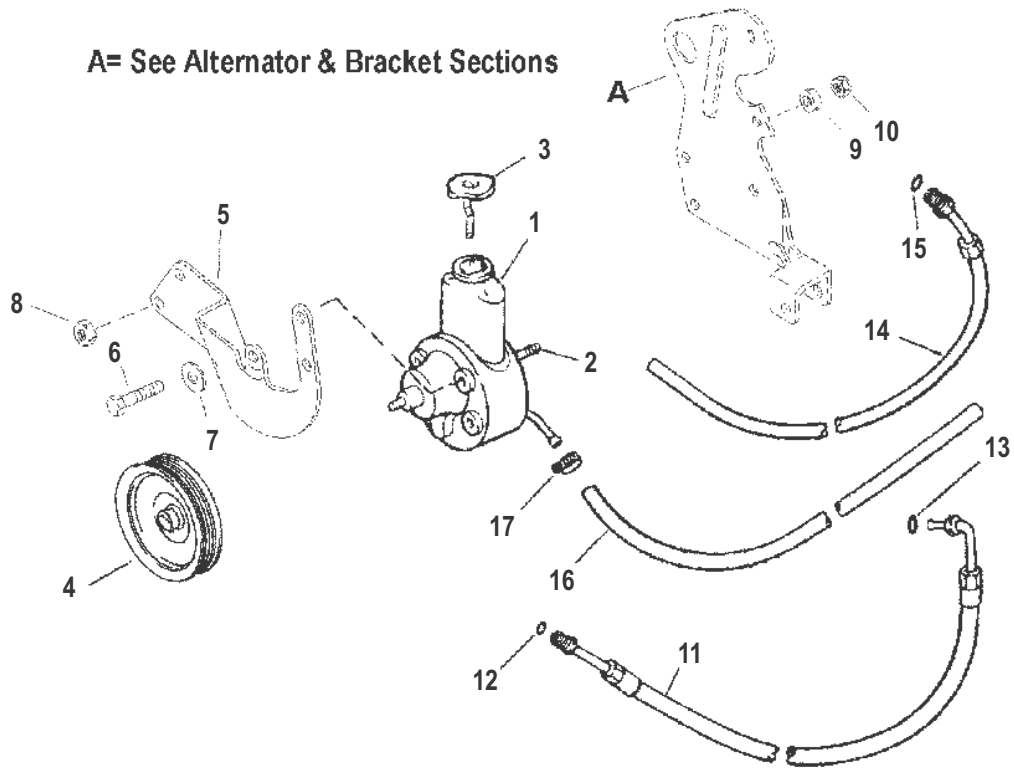
Remote Oil Filter

Ref #	Part Class	Part Number	Description	Comments	Qty	Note
1	0000	806329T	ADAPTER Oil Filter		1	
2	0026	42077	SEAL		1	
3	0022	806328	FITTING		1	
4	0000	807459T	BRACKET		1	
5	0010	98257	SCREW (.312-18 x .500)		2	
6	0010	98261	SCREW (.375-16 x .750)		1	
7	0000	14957	FILTER Oil		1	[1]
8	0032	861233	HOSE Oil		1	
9	0032	861234	HOSE Oil		1	
10	0000	860091T	ADAPTER		1	
11	0027	16779	GASKET		1	[2]
12	0026	42077	SEAL		1	
13	0022	860303	FITTING		1	
14	0000	11972	ADAPTER		1	
-	0027	807756A96	GASKET SET Engine Overhaul		1	

PART NOTES:

- [1] - Alternate part numbers:
 14957Service Part
 802885QQS
 802885TMPP
- [2] - COMPONENT OF ENGINE OVERHAUL GASKET SET 807756A96

Power Steering Components



14054

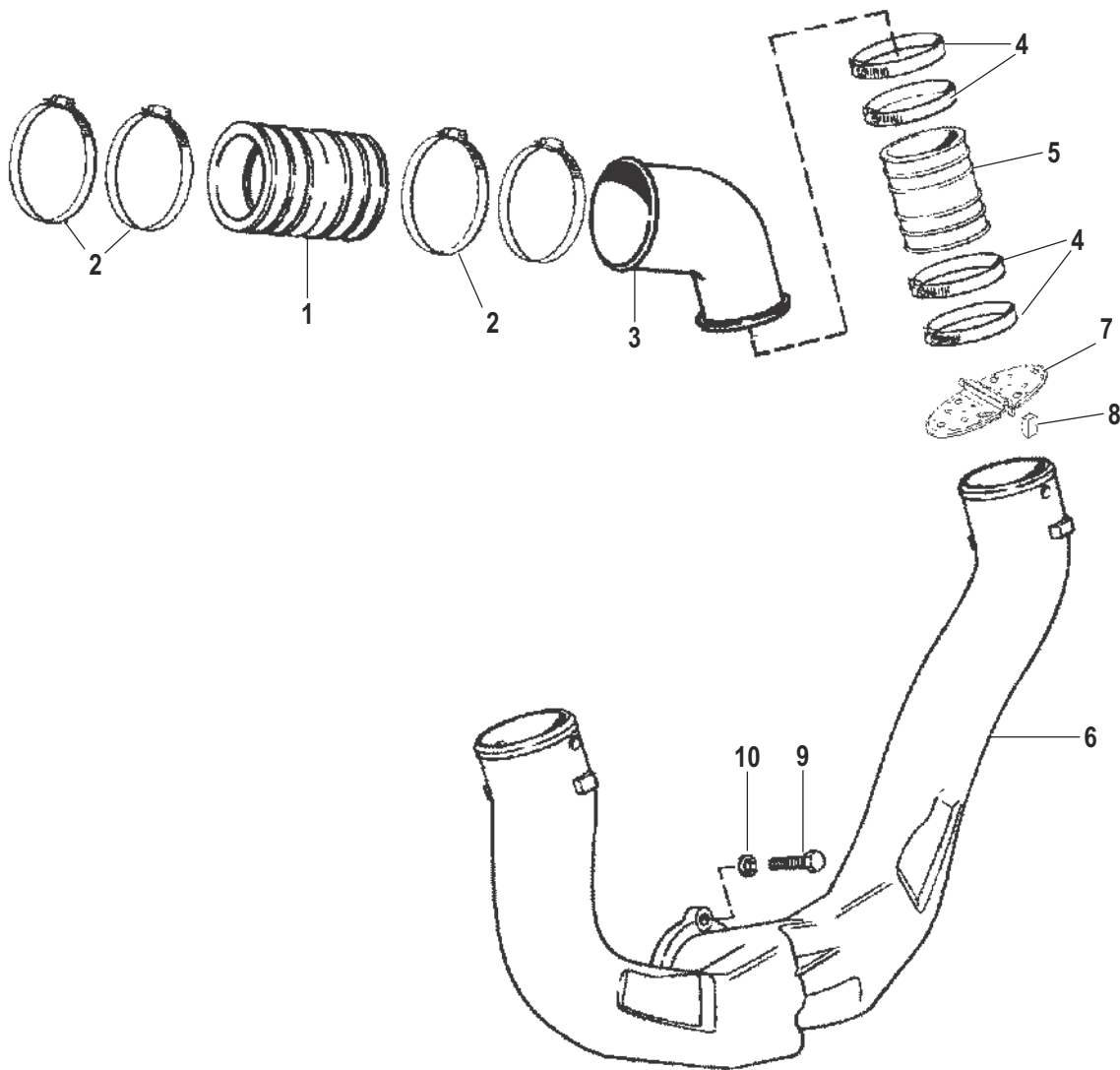
Power Steering Components

Ref #	Part Class	Part Number	Description	Comments	Qty	Note
1	0000	16792A39	PUMP ASSEMBLY		1	
2	0016	41877	STUD (M10)		2	
3	0036	95805	CAP		1	
4	0000	861578	PULLEY (5-3/4" METAL)		1	[1]
5	0000	807751T	BRACE	[OL618999] & Below	1	
5	0000	862082T	BRACE Power Steering	[OL619000] & Up	1	
6	0010	40001188	SCREW (M10 x 20)		3	
7	0012	34714	WASHER		3	
8	0011	32219	NUT (.375-16)		3	
9	0023	905201	SPACER (.750 x .250)		1	
10	0011	90517	NUT (M10)		1	
11	0032	80622216	HOSE (FITTINGS ON BOTH ENDS)		1	
12	0025	89879	O-RING (.301 x .064)		1	
13	0025	806232	O-RING (.239 x .064)		1	
14	0032	80622142	HOSE ASSEMBLY (84.00 Inches Bulk) Return (FITTING ON ONE END)		1	
15	0025	89879	O-RING (.301 x .064)		1	
16	0032	5251914	HOSE (53.00 Inches Bulk) Pump to Oil Cooler		1	
17	0054	815504105	CLAMP Worm Gear (11-18 mm)		3	
NS	0019	8079921	COVER Hose Clamp End		AR	

PART NOTES:

[1] - FOR DETAILS, REFER TO MERCUISER PARTS BULLETIN 98-1

Exhaust System (Use With 2 Piece Manifold)



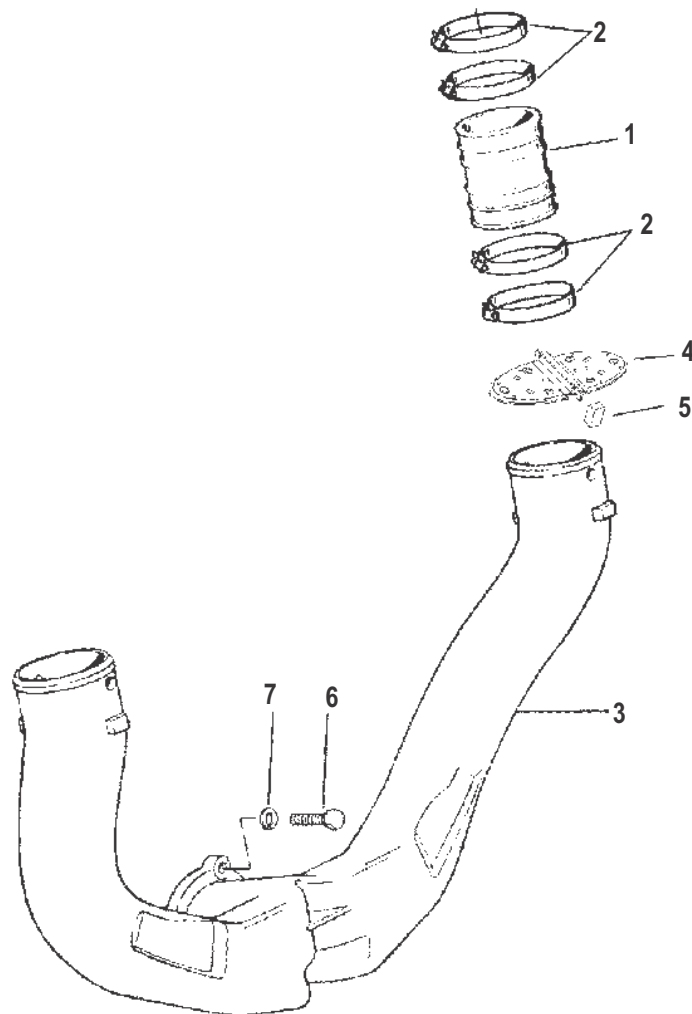
14055

Exhaust System (Use With 2 Piece Manifold)

Ref #	Part Class	Part Number	Description	Comments	Qty	Note
1	0032	44348T	TUBE Exhaust		2	
2	0054	815504272	CLAMP Worm Gear		8	
3	0000	14478T	ELBOW Exhaust		2	
3	0000	14865A1	ELBOW KIT Exhaust	(USE WITH 3 IN. & 6 IN. RISER KITS)	1	
4	0054	815504272	CLAMP Worm Gear		8	
5	0032	14358T	TUBE		2	
6	0000	807130A4	PIPE		1	
7	0000	807166A1	SHUTTER ASSEMBLY Water		2	
8	0025	807167	GROMMET		4	
9	0010	58640	SCREW (.375-16 x 1.25)		4	
10	0013	41471	LOCKWASHER (.375)		4	
NS	0019	8079923	COVER Hose Clamp End		AR	

Exhaust System (Use With 2 Piece Manifold)

Exhaust System (Use With 1 Piece Manifold)



14056

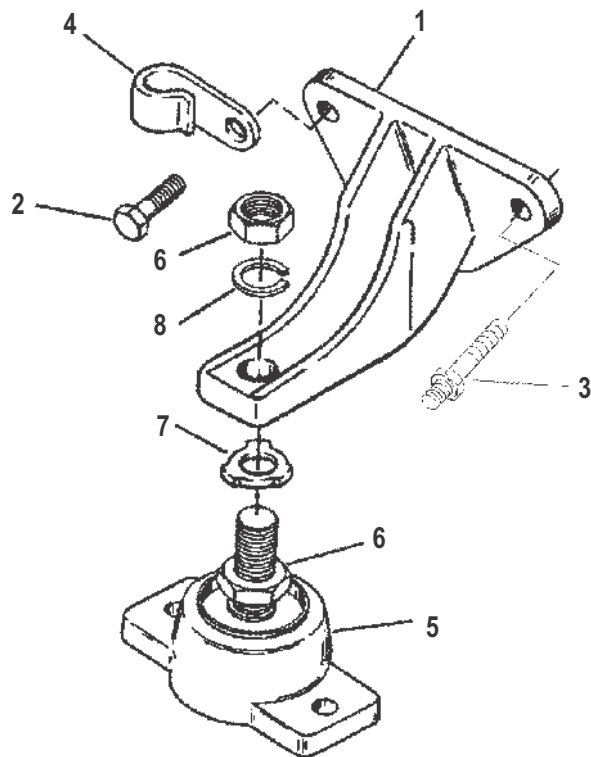
Cat.# 90-83498799

Exhaust System (Use With 1 Piece Manifold)

Ref #	Part Class	Part Number	Description	Comments	Qty	Note
1	0032	807458T	TUBE Exhaust		2	
2	0054	815504272	CLAMP Worm Gear		8	
3	0000	807130A7	PIPE Exhaust		1	
4	0000	807166A2	SHUTTER Water		2	
5	0025	807167	GROMMET		4	
6	0010	58640	SCREW (.375-16 x 1.25)		4	
7	0013	41471	LOCKWASHER (.375)		4	
NS	0019	8079923	COVER Hose Clamp End		AR	

Exhaust System (Use With 1 Piece Manifold)

Engine Mounting



12993

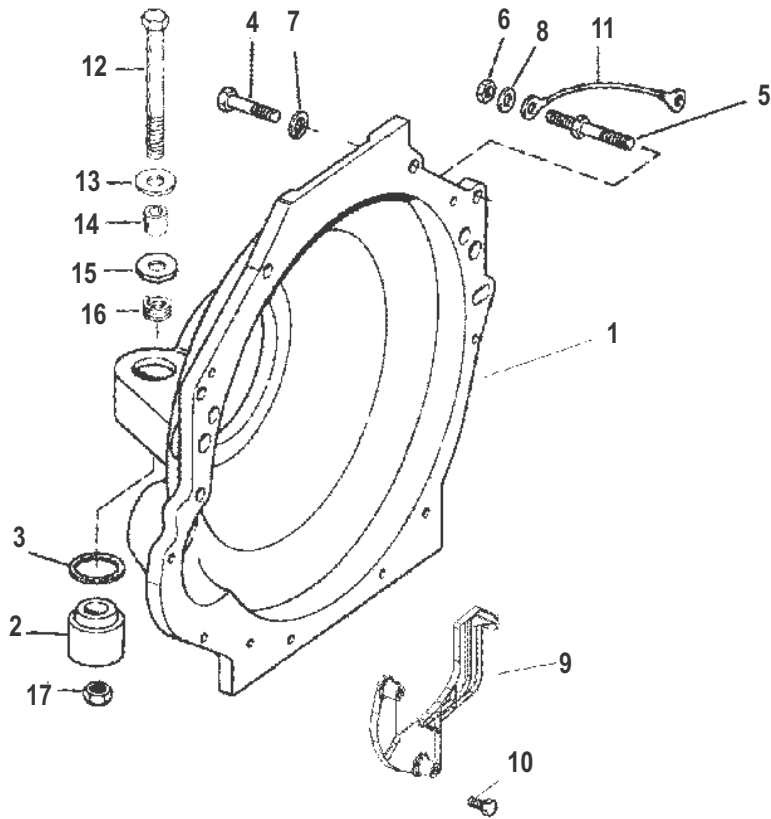
Engine Mounting

Ref #	Part Class	Part Number	Description	Comments	Qty	Note
1	0000	79550A1	BRACKET		2	
2	0010	68101	SCREW (.375-16 x 1.375)		2	
2	0010	48424	SCREW (.375-16 x 1.620)		2	
2	0010	40001197	SCREW (M10 x 35)		2	[1]
3	0016	805357	STUD (.375-16 x 2.130)		2	
3	0016	861580	STUD (METRIC)		2	[1]
4	0054	816398	CLIP		1	
5	0000	66284A2	BASE ASSEMBLY		2	
6	0011	20739	NUT (.750-16)		4	
7	0014	12657	TAB WASHER		2	
8	0013	68102	LOCKWASHER (.750)		2	

PART NOTES:

[1] - METRIC FASTENER CHANGE (S/N 0L320000 AND UP)

Flywheel Housing



19858

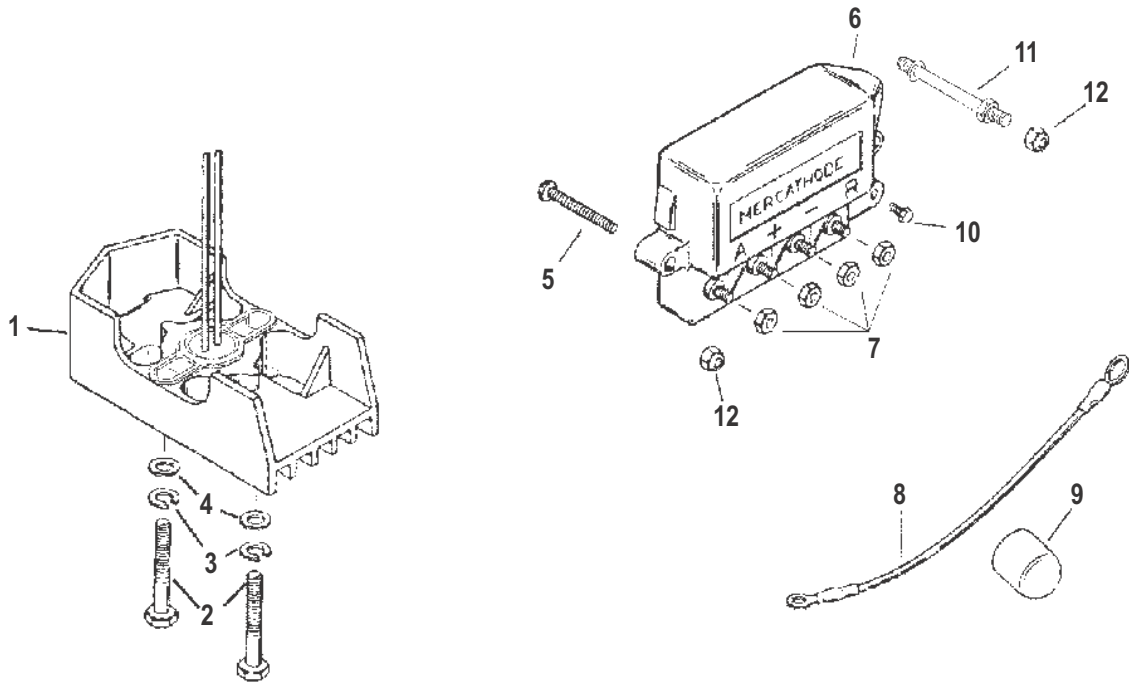
Flywheel Housing

Ref #	Part Class	Part Number	Description	Comments	Qty	Note
1	0000	12675A5	HOUSING ASSEMBLY Flywheel		1	
2	0000	99297A2	MOUNT Rubber		2	
3	0023	99322	SPACER		2	
4	0010	37612	SCREW (.375-16 x 1.250)		3	
4	0010	32132	SCREW (.375-16 x 1.750)		1	
4	0010	40001197	SCREW (M10 x 35)		3	[1]
4	0010	40001203	SCREW (M10 x 45)		1	[1]
5	0016	64066	STUD (.375-16 x 2.750) Special		2	
5	0016	861577	STUD Double Ended Metric (M10)		2	[1]
6	0011	32219	NUT (.375-16)		2	
6	0011	40125100	NUT (M10)		2	[1]
7	0013	35048	LOCKWASHER (.375)		4	
8	0012	20572	WASHER (.390 x .750 x .093)		2	
8	0013	400248	LOCKWASHER (M10)		4	[1]
9	0000	807456A2	COVER		1	
10	0010	76596	SCREW (.250-20 x 1.250)		2	
11	0084	62826A6	CABLE ASSEMBLY Ground (13.00 Inches) Black		1	
12	0010	97934	SCREW (.500-20 x 5.370) Special		2	
13	0012	35777	WASHER (.5156 x 1.375 x .125) Aluminum		2	
16	0023	99299	SPACER (.520 x .870 x .630)		2	
15	0012	32834	WASHER (.9375 x 1.750 x .172)		2	
16	0013	33734	LOCKWASHER (.500)		2	
17	0011	99298	NUT (.500-20)		2	

PART NOTES:

[1] - METRIC FASTENER CHANGE (S/N 0L320000 AND UP)

Mercathode Components

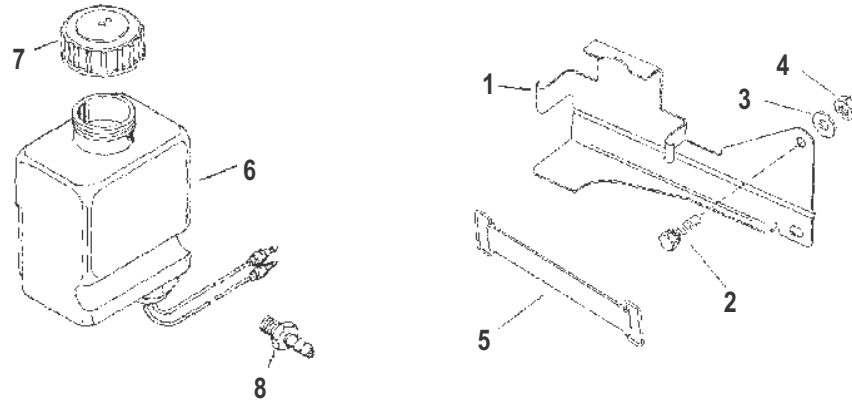


14060

Mercathode Components

Ref #	Part Class	Part Number	Description	Comments	Qty	Note
1	0000	98869A11	ELECTRODE ASSEMBLY		1	
2	0010	69067	SCREW (.250-20 x 1.375)		2	
3	0013	26992	LOCKWASHER (.250) Stainless Steel		2	
4	0012	29245	WASHER (.281 x .500 x .060) Stainless Steel		2	
5	0010	72202	SCREW (#10-32 x 1.25)		1	
5	0010	805565	SCREW (#10-32 x .750)		1	
6	0000	42600A3	CONTROLLER ASSEMBLY		1	
7	0011	68219	NUT (#10-32) Stainless Steel		4	
8	0084	88543A3	CABLE ASSEMBLY		1	
9	0000	44574	CAP		2	
10	0010	62568	SCREW (#10-16 x .375)		1	
11	0016	805459	STUD Mercathode Mounting		1	
12	0011	29488	NUT (#10-32)		2	

Oil Reservoir Bottle and Bracket

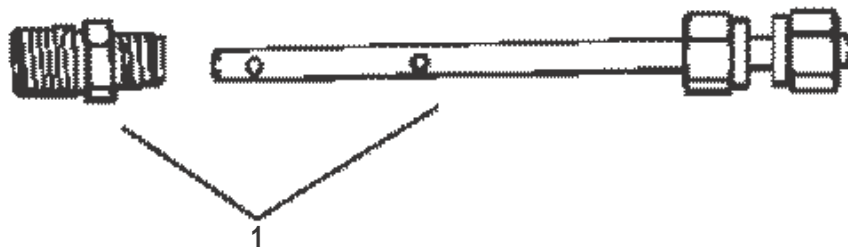


14061

Oil Reservoir Bottle and Bracket

Ref #	Part Class	Part Number	Description	Comments	Qty	Note
1	0000	807839T1	BRACKET		1	
2	0010	657461	SCREW AND LOCKWASHER (.250-20 x .625)	(1 PC. EXHAUST MANIFOLD)	1	
3	0012	69057	WASHER (.281 x .734 x .063)	(1 PC. EXHAUST MANIFOLD)	1	
4	0011	72008	NUT (.250-20)	(1 PC. EXHAUST MANIFOLD)	1	
5	0000	808023T	STRAP Bracket		1	
6	0000	806193A3	RESERVOIR ASSEMBLY Oil	[0L618999] & Below	1	
6	0000	806193A13	RESERVOIR	[0L619000] & Up	1	
7	0036	808625	CAP Drive Lube Monitor Oil Bottle		1	
8	0022	808624	CONNECTOR		1	

Swiss Emissions Parts (BSO1 & SAV1)



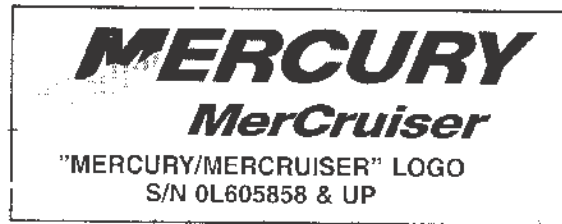
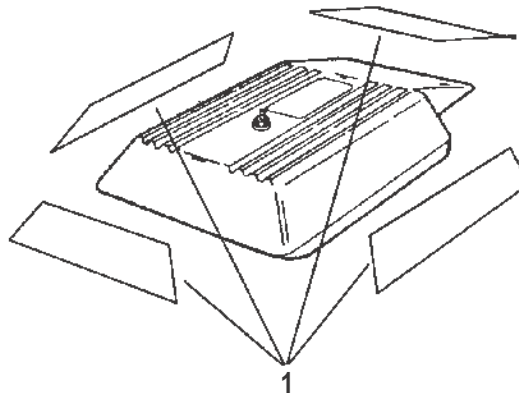
12997

Cat.# 90-83498799

Swiss Emissions Parts (BSO1 & SAV1)

Ref #	Part Class	Part Number	Description	Comments	Qty	Note
1	0091	806141A1	PROBE ASSEMBLY		2	

Swiss Emissions Parts (BSO1 & SAV1)



19859

Decals

Ref #	Part Class	Part Number	Description	Comments	Qty	Note
1	0037	861314A98	DECAL SET Flame Arrestor	[0L604499] & Below	1	
1	0037	861314A9	DECAL SET	[0L604500] & Up	1	
2	0037	862659	DECAL Mercury GM Logo		1	
NS	0037	805364A1	DECAL SET Color Coding		1	

PARTS INDEX

Part No.	Description	Pg.	Ref.no	Part No.	Description	Pg.	Ref.no
11303	WASHER	66	19	11375	STUD (.375 x 9.56)	38	16
11966	SCREW (.437-14 x 3.750)	52	22	119671	SCREW (.437-14 x 3.00)	52	21
11968	SCREW (.437-14 x 1.750)	52	20	11969	BOLT	58	13
11971	NUT (.312-18)	64	9	11972	ADAPTER	62	21
11972	ADAPTER	70	14	11975	BOLT (3/8-16 x 1.25)	60	3
11989	STUD (.312-18 x 1.6718)	64	8	11992	BEARING	58	15
11993	BEARING	58	15	11996	NUT	62	29
12244	SCREW (.375-16 x 1.00)	38	19	123811	RETAINER	68	3
12552	LIFTING EYE	42	27	12657	TAB WASHER	78	7
12675A5	HOUSING ASSEMBLY Flywheel	80	1	13051A8	LEVER ASSEMBLY Actuating	66	3
13438	NUT (.250-28)	6	9	13438	NUT (.250-28)	66	10
13438	NUT (.250-28)	68	10	13510	WASHER	58	10
13524A6	ROTOR/SENSOR WHEEL	26	5	13743	SCREW (.312-18 x 1.843) Shoulder	66	5
13743	SCREW (.312-18 x 1.843) Shoulder	66	14	13743	SCREW (.312-18 x 1.843) Shoulder	68	14
138981	LEVER	68	13	13898A3	LEVER ASSEMBLY Shift	66	13
14241	GASKET	62	25	14242	BOLT (.250-20 x .875)	62	27
14243	BOLT (.250-20 x 1.750)	62	26	14247T1	GASKET SET	64	7
14263	PIN Dowel	62	28	14358T	TUBE	74	5
14478T	ELBOW Exhaust	74	3	148271	STUD	62	30
14865A1	ELBOW KIT Exhaust	74	3	14883	SCREW (.375-16 x 1.12)	58	9
14957	FILTER Oil	70	7	15001	SCREW (#8-16 x .875)	18	2
15001	SCREW (#8-16 x .875)	20	2	1589424	HOSE (16.50 Inches Bulk)	34	6
16779	GASKET	70	11	16792A39	PUMP ASSEMBLY	72	1
17160	SPROCKET Crankshaft	54	26	17161T	CHAIN Timing	54	24
173391	PUSH ROD	52	7	17343	SCREW (.250-20 x .500)	54	18
17346	SCREW	64	2	1743579	HOSE (96.00 Inches Bulk)	42	19
18431	PAD	46	3	18484A3	COVER	34	1
18643A5	COUPLING ASSEMBLY	58	7	18644	BUMPER Rubber	58	8
20084	WASHER (.328 x .562 x .062)	34	21	20533	WASHER	18	12
20553	WASHER (.406 x .734 x .063)	26	23	20572	WASHER (.390 x .750 x .093)	80	8
20739	NUT (.750-16)	78	6	21071	COTTER PIN	66	16
21071	COTTER PIN	68	16	21908	NUT (.312-18) Cad Plated	50	17
23161	NUT (.375-24)	8	14	23720	RING Retaining	50	13
24323	SET SCREW (.250-20 x 1.25)	38	NS	26079A2	PLATE KIT Wire Harness Mount	18	1
26079A2	PLATE KIT Wire Harness Mount	20	1	26419	NUT (#8-32) Brass	22	24
26484	NUT (.312-18)	12	6	269011	BUMPER Rubber	30	24
26992	LOCKWASHER (.250) Stainless Steel	8	4	26992	LOCKWASHER (.250) Stainless Steel	18	7
26992	LOCKWASHER (.250) Stainless Steel	20	9	26992	LOCKWASHER (.250) Stainless Steel	22	27
26992	LOCKWASHER (.250) Stainless Steel	82	3	26995	LOCKWASHER (#8) Stainless Steel	22	23
26996	LOCKWASHER (#10) Stainless Steel	6	6	26996	LOCKWASHER (#10) Stainless Steel	8	2
26996	LOCKWASHER (#10) Stainless Steel	22	4	26996	LOCKWASHER (#10) Stainless Steel	22	7
26996	LOCKWASHER (#10) Stainless Steel	22	20	26996	LOCKWASHER (#10) Stainless Steel	26	20
28636	SCREW (.250-20 x .750)	20	10	29085	FITTING Elbow (45 Degree)	36	17
29198	SCREW AND LOCKWASHER (.312-18 x .875)	8	10	29198	SCREW AND LOCKWASHER (.312-18 x .875)	46	14
29245	WASHER (.281 x .500 x .060) Stainless Steel	82	4	29250	NUT (.312-24)	8	17
29250	NUT (.312-24)	12	22	29250	NUT (.312-24)	42	25
29250	NUT (.312-24)	64	15	29488	NUT (#10-32)	82	12
29598	NUT (.250-28) Stainless Steel	30	14	32132	SCREW (.375-16 x 1.750)	60	9
32132	SCREW (.375-16 x 1.750)	80	4	32219	NUT (.375-16)	8	25
32219	NUT (.375-16)	12	11	32219	NUT (.375-16)	12	24
32219	NUT (.375-16)	72	8	32219	NUT (.375-16)	80	6
32509	O-RING (.489 x .070)	30	12	32509	O-RING (.489 x .070)	38	6
32509	O-RING (.489 x .070)	40	8	32509	O-RING (.489 x .070)	42	15
32509	O-RING (.489 x .070)	54	8	32515	SCREW (.437-20 x 2.50)	62	15
32561	PLUG Pipe - Allen Head (.250-18)	32	3	328022	PLUG Pipe (.125-27) Brass	38	14
328022	PLUG Pipe (.125-27) Brass	46	16	32803	PLUG Pipe (.375-18) Brass	42	2
32803	PLUG Pipe (.375-18) Brass	46	11	32834	WASHER (.9375 x 1.750 x .172)	80	15
32857	COTTER PIN	66	6	32857	COTTER PIN	68	6
32974	FITTING (.125-27) Adaptor	22	10	33290	RING Retaining	6	22
33291	COLLAR	6	21	33465	O-RING	50	3
33734	LOCKWASHER (.500)	80	16	33821	CONNECTOR	32	5

PARTS INDEX

Part No.	Description	Pg.	Ref.no	Part No.	Description	Pg.	Ref.no
34109	PIN	24	17	34217	SEAL	52	11
342271	SEALING COMPOUND (16 Ounce)	54	-	34270	EXPANSION PLUG (1.625)	54	2
34352	SCREW (.375-24 x .875)	62	18	34353	SCREW (.375-16 x 1.00)	12	18
34353	SCREW (.375-16 x 1.00)	50	19	344863	GASKET	24	26
344863	GASKET	26	11	34518	SHIELD	52	10
34714	WASHER	50	21	34714	WASHER	62	19
34714	WASHER	72	7	34897	GASKET	60	7
35045	NUT (.250-28)	34	3	35045	NUT (.250-28)	38	24
35045	NUT (.250-28)	66	25	35045	NUT (.250-28)	68	20
35048	LOCKWASHER (.375)	8	9	35048	LOCKWASHER (.375)	50	20
35048	LOCKWASHER (.375)	80	7	353121	PIN Dowel	54	23
35332	WASHER	62	17	35342	STUD (.312-24/.375-16 x 2.5625)	60	9
35366	SCREW	64	14	35462	WASHER (.2656 x .625 x .0625) Stainless Steel	20	6
35462	WASHER (.2656 x .625 x .0625) Stainless Steel	38	22	35462	WASHER (.2656 x .625 x .0625) Stainless Steel	48	35
35462	WASHER (.2656 x .625 x .0625) Stainless Steel	66	9	35462	WASHER (.2656 x .625 x .0625) Stainless Steel	68	9
35465	PIN Dowel (.312)	54	3	35777	WASHER (.5156 x 1.375 x .125) Aluminum	80	13
35814	NUT (.312-24) Stainless Steel	32	12	36183	RETAINER	64	5
36184	SHAFT	64	4	36533	WASHER (.328 x .562 x .0312) Copper	30	20
37293T	SENDER ASSEMBLY	22	2	37493	NUT (.375-24)	58	14
37612	SCREW (.375-16 x 1.250)	80	4	37682	FITTING Elbow (45 Degree)	42	13
37682	FITTING Elbow (45 Degree)	54	30	39107	LOCKWASHER (.312-24)	6	5
39107	LOCKWASHER (.312-24)	50	16	39131	LOCKWASHER (.437)	62	16
40001134	SCREW (M8 x 25)	12	3	40001188	SCREW (M10 x 20)	12	20
40001188	SCREW (M10 x 20)	72	6	40001197	SCREW (M10 x 35)	78	2
40001197	SCREW (M10 x 35)	80	4	40001203	SCREW (M10 x 45)	80	4
40011126	SCREW (M6 x 13) Stainless Steel	64	14	400211	NUT (M5) Stainless Steel	6	4
400212	NUT (M6) Stainless Steel	12	2	400248	LOCKWASHER (M10)	80	8
40125100	NUT (M10)	80	6	4013610	NUT (M10) Stainless Steel	30	28
4013610	NUT (M10) Stainless Steel	42	26	41408	SCREW (#10-32 x 1.50)	26	19
41471	LOCKWASHER (.375)	74	10	41471	LOCKWASHER (.375)	76	7
41877	STUD (M10)	72	2	42077	SEAL	70	2
42077	SEAL	70	12	42600A3	CONTROLLER ASSEMBLY	82	6
42796	VALVE Oil Filter Bypass	54	9	4285069	HOSE (44.00 Inches Bulk)	46	18
43504	PIN Dowel	58	4	43749	SCREW (.375-16 x 5.750)	38	11
43749	SCREW (.375-16 x 5.750)	38	11	44348T	TUBE Exhaust	74	1
44574	CAP	82	9	45592	NUT (.312-24)	34	22
455991	SPRING	66	4	46132	WASHER	38	17
46132	WASHER	40	5	46335	NUT (.375-24)	38	18
46350	WASHER	24	14	47277	SCREW (.312-24 x .750)	60	11
47617	PIN	26	9	47688	SCREW (.375-16 x 2.750)	60	9
48336	PLUG Water Pump	60	8	483471	SPRING	52	12
483481	CAP	52	13	48424	SCREW (.375-16 x 1.620)	78	2
49734	SENDER	22	3	49845	SCREW (.437-20 x 1.00)	58	6
49955	GASKET Drain	64	17	49955	GASKET Drain	64	18
52020	SLEEVE Hose	46	10	52185	CLAMP	24	24
52185	CLAMP	26	12	5251914	HOSE (53.00 Inches Bulk) Pump to Oil Cooler	72	16
530451	GASKET	42	4	530451	GASKET	46	17
53167	SCREW (.312-18 x .880)	68	5	53728	SCREW (.375-16 x 4.75)	38	7
53728	SCREW (.375-16 x 4.75)	40	4	547971	KEY	52	14
56393	SCREW (.437-20 x 1.75)	12	29	56720	WASHER (.330 x .750 x .060) Stainless Steel	66	8
56720	WASHER (.330 x .750 x .060) Stainless Steel	68	8	56743	SCREW (.375-24 x 3.125)	8	13
57583	SCREW (#8-32 x .375)	22	21	57792	WASHER	12	5
58640	SCREW (.375-16 x 1.25)	46	15	58640	SCREW (.375-16 x 1.25)	74	9
58640	SCREW (.375-16 x 1.25)	76	6	59362T1	IMPELLER	50	6
59501A1	SHAFT	50	12	62568	SCREW (#10-16 x .375)	82	10
62826A6	CABLE ASSEMBLY Ground (13.00 Inches) Black	80	11	63341	TEE NUT	66	12
63341	TEE NUT	68	12	63709A1	BOOT/TERMINAL KIT	26	15
64015	NUT (.250-20)	20	7	64066	STUD (.375-16 x 2.750) Special	80	5
657461	SCREW AND LOCKWASHER (.250-20 x .625)	66	22	657461	SCREW AND LOCKWASHER (.250-20 x .625)	68	17
657461	SCREW AND LOCKWASHER (.250-20 x .625)	84	2	65970T1	BRACKET	26	18
66284A2	BASE ASSEMBLY	78	5	66357	STUD (.250-28 x 1.00)	66	23

PARTS INDEX

Part No.	Description	Pg.	Ref.no	Part No.	Description	Pg.	Ref.no
66357	STUD (.250-28 x 1.00)	68	18	66686	SCREW (#10-32 x 1.00)	26	7
68101	SCREW (.375-16 x 1.375)	78	2	68102	LOCKWASHER (.750)	78	8
68219	NUT (#10-32) Stainless Steel	22	5	68219	NUT (#10-32) Stainless Steel	22	8
68219	NUT (#10-32) Stainless Steel	26	21	68219	NUT (#10-32) Stainless Steel	82	7
68402	PIN (.250 x 1.13)	68	15	68513	SCREW (#10-32 x .375) Stainless Steel	22	19
69057	WASHER (.281 x .734 x .063)	66	24	69057	WASHER (.281 x .734 x .063)	68	19
69057	WASHER (.281 x .734 x .063)	84	3	69067	SCREW (.250-20 x 1.375)	82	2
71587A10	RECOVERY KIT Coolant	46	5	71587A11	BOTTLE Plastic	46	6
72008	NUT (.250-20)	48	36	72008	NUT (.250-20)	84	4
72058	CAP	46	7	72202	SCREW (#10-32 x 1.25)	26	7
72202	SCREW (#10-32 x 1.25)	82	5	726071	SCREW (5/16-18x x .875)	64	10
72640	PLUG Expansion	54	4	72785	SEAL	50	14
72821	RETAINER	24	22	72821	RETAINER	26	25
72961	BEARING Ball	50	11	73379	PLUG (.250-18)	38	20
74036	FITTING Grease	58	11	74191	SCREW (.312-18 x 3.250)	50	4
75983	PLUG	60	4	76596	SCREW (.250-20 x 1.250)	18	11
76596	SCREW (.250-20 x 1.250)	80	10	774572	HOSE (48.00 Inches Bulk)	46	NS
79023A91	FUSE ASSEMBLY 90 Ampere	6	8	79550A1	BRACKET	78	1
79552	WASHER (.453 x .750 x .062) Stainless Steel	34	24	79695	BOOT Insulator - Black	6	7
79989	NUT (#10-24) Stainless Steel	8	3	801861T1	RING SET Piston	58	2
8018821	STUD	52	18	801883	NUT	52	16
802884Q	FILTER Oil	62	22	802999	BEARING SET	54	5
803001T	HOUSING Drive	6	24	803003	DRIVE	6	20
803004	THRU BOLT w/ Hex Shoulder	6	15	803005	THRU BOLT	6	16
803186	CAMSHAFT	54	22	803644	GASKET	46	NS
804351	CLIP	20	11	804352	CLIP	20	12
804638	FUSE Red - 10 Ampere	20	13	804639	FUSE Blue - 15 Ampere	20	13
804641	FUSE Micro - Red - 10 Ampere	18	13	804642	FUSE Micro - 15 Ampere	18	13
804909	SEAL Oil (STAMPED 12555769)	62	24	804910	RETAINER Seal	62	23
804911	CRANKSHAFT	58	16	804912	PAN Oil (ALUMINUM)	64	6
804913	FLYWHEEL	58	5	805059	FITTING	22	1
805062	O-RING (.530 x .082)	30	7	805063	O-RING (.301 x .070)	30	5
805063	O-RING (.301 x .070)	30	27	805185A37	DISTRIBUTOR ASSEMBLY	26	1
805189	SCREW (.375-16 x .750)	24	20	805218T	SENSOR	22	11
805223T	SENSOR	22	16	805224A1	MOTOR ASSEMBLY IAC	36	7
805226A1	SENSOR ASSEMBLY TPS	36	10	8053432	SCREW (.375-16 x 4.33)	6	2
805357	STUD (.375-16 x 2.130)	78	3	805364A1	DECAL SET Color Coding	88	NS
805368T	BRACKET Electrical	22	17	805390	SCREW (.312-18 x 2.250)	34	9
805400	SCREW (#8-32 x .500) Stainless Steel	36	8	805400	SCREW (#8-32 x .500) Stainless Steel	36	11
805406	FILTER	30	16	805459	STUD Mercathode Mounting	22	26
805459	STUD Mercathode Mounting	82	11	805505A4	HOSE Oil Drain	64	20
805524	CLIP	64	22	805559	SCREW (.375-16 x .875) Stainless Steel	24	25
805564	SCREW (.250-20 x .750)	22	25	805565	SCREW (#10-32 x .750)	82	5
805570A2	COIL KIT	26	17	805592A1	CONNECTOR ASSEMBLY	22	14
805605A1	SWITCH ASSEMBLY	22	6	805625	CLIP Dipstick Tube	64	13
805703	FUSE 10 Ampere	18	14	805704	FUSE 15 Ampere	18	14
805733	SCREW (.250-28 x 1.00)	38	23	805760	GASKET	26	4
8059871	HOSE Water Pump To Intake Manifold	46	28	806118	VALVE PVC	34	26
806141A1	PROBE ASSEMBLY	86	1	80617379	HOSE (52.00 Inches Bulk)	30	21
806193A13	RESERVOIR	84	6	806193A3	RESERVOIR ASSEMBLY Oil	84	6
80622142	HOSE ASSEMBLY (84.00 Inches Bulk) Return (FITTING ON ONE END)	72	14	80622216	HOSE (FITTINGS ON BOTH ENDS)	72	11
806232	O-RING (.239 x .064)	72	13	806242	CONNECTOR (1/2-14)	46	31
806328	FITTING	70	3	806329T	ADAPTER Oil Filter	70	1
806608A1	PLUG KIT (.500-13) Royal Blue	30	11	806608A1	PLUG KIT (.500-13) Royal Blue	38	5
806608A1	PLUG KIT (.500-13) Royal Blue	40	7	806608A1	PLUG KIT (.500-13) Royal Blue	42	14
806608A1	PLUG KIT (.500-13) Royal Blue	54	7	8066362	HOSE Thermostat Housing To Starboard Exhaust Manifold	42	17
806637T1	FLAME ARRESTOR	34	4	806640	GASKET	34	11
806653A1	FITTING ASSEMBLY (INLET)	36	1	806655	SEAL	36	2
806681	SCREW (.375-16 x .875)	26	13	806703	STUD	34	5

PARTS INDEX

Part No.	Description	Pg.	Ref.no	Part No.	Description	Pg.	Ref.no
8067051	FITTING Dual	22	12	806706	SEAL	36	4
806754T	TUBE Oil Fill	52	6	806816T	BRACKET/LIFTING EYE Harness Mounting	18	3
806827	SCREW (#8-32 x .380)	18	9	806871	GASKET	42	3
806899	PLUG	36	6	806915	SHAFT	34	23
806916T	PLATE	34	25	806922	SLEEVE	42	6
806926A1	ELBOW KIT Drain	38	4	806926A1	ELBOW KIT Drain	40	6
806946	BOLT	34	18	806949	NUT (M8-1.5)	6	3
806950	BREAKER Circuit - 50 Ampere	22	18	807057T	RELAY	22	15
807075A1	COVER	46	13	807097T	CONNECTOR	34	20
807130A4	PIPE	74	6	807130A7	PIPE Exhaust	76	3
8071341	SEAL	46	9	807151A14	BODY/IMPELLER KIT	50	2
807151A9	PUMP ASSEMBLY Sea Water	50	1	807166A1	SHUTTER ASSEMBLY Water	74	7
807166A2	SHUTTER Water	76	4	807167	GROMMET	74	8
807167	GROMMET	76	5	807172	FILTER Fuel/Water Separator	32	4
807252T2	THERMOSTAT 71DegreeC (160 Degree F)	42	5	807293A2	MANIFOLD ASSEMBLY Exhaust	40	1
807294A3	MANIFOLD ASSEMBLY Exhaust	40	1	807356	SCREW (.312-18 x 2.680)	50	4
807399T	SENSOR Fuel Pressure	36	16	807453T	BRACKET Harness Mounting/Lifting Eye	20	3
807456A2	COVER	80	9	807458T	TUBE Exhaust	76	1
807459T	BRACKET	70	4	807653T	ALTERNATOR ASSEMBLY (65 AMP)	8	1
807653T	ALTERNATOR ASSEMBLY	10	-	807661	HOSE	42	10
807685T	INSULATOR	30	2	807693T	FLAME ARRESTOR	34	4
807697	HOSE Thermostat Housing to Starboard Manifold	42	17	807717	SCREW (.312-18 x .750)	34	13
807729T	PULLEY	60	10	807730T	PULLEY	60	13
8077491	BRACKET	50	18	807750T	BRACE	8	7
807751T	BRACE	72	5	807753T1	BRACKET	8	24
8077551	BELT Serpentine	4	-	8077551	BELT Serpentine	60	14
8077552	BELT Serpentine	4	-	8077552	BELT Serpentine	60	14
8077553	BELT Serpentine	4	-	8077553	BELT Serpentine	60	14
8077555	BELT Serpentine	4	-	8077555	BELT Serpentine	4	-
8077555	BELT Serpentine	60	14	8077555	BELT Serpentine	62	14
8077556	BELT Serpentine	4	-	8077556	BELT Serpentine	60	14
807756	GASKET	34	12	807756A96	GASKET SET Engine Overhaul	24	-
807756A96	GASKET SET Engine Overhaul	26	-	807756A96	GASKET SET Engine Overhaul	30	-
807756A96	GASKET SET Engine Overhaul	34	-	807756A96	GASKET SET Engine Overhaul	36	-
807756A96	GASKET SET Engine Overhaul	38	-	807756A96	GASKET SET Engine Overhaul	40	-
807756A96	GASKET SET Engine Overhaul	42	-	807756A96	GASKET SET Engine Overhaul	48	-
807756A96	GASKET SET Engine Overhaul	52	-	807756A96	GASKET SET Engine Overhaul	54	-
807756A96	GASKET SET Engine Overhaul	62	-	807756A96	GASKET SET Engine Overhaul	64	-
807756A96	GASKET SET Engine Overhaul	70	-	807757T	PULLEY ASSEMBLY Idler - Black	8	20
807757T	PULLEY ASSEMBLY Idler - Black	8	23	807757T	PULLEY ASSEMBLY Idler - Black	12	17
807767T	BRACKET Idler Adjustment	8	15	807783A1	FITTING ASSEMBLY 90 Degree	30	4
807804	FITTING	64	16	807806T	INSULATOR Cap	32	9
807807T	INSULATOR Base	32	10	807839T1	BRACKET	84	1
807904A1	STARTER MOTOR ASSEMBLY	6	1	807918T	BRACKET Fuel Filter Base	32	11
807930	INSULATOR	30	25	807951T	BRACKET Fuel Cooler	30	1
807952A1	REGULATOR KIT Fuel Pressure	30	15	807953	LINE ASSEMBLY Fuel	32	13
807954T	HOSE ASSEMBLY Fuel Regulator to Filter	32	14	807956T	INSULATOR Back	32	8
807958	FITTING (1/4-18)	32	7	807962A3	BRACKET ASSEMBLY Shift	66	1
807962A3	BRACKET ASSEMBLY Shift	68	1	807964A1	DISTRIBUTOR ASSEMBLY	24	1
807971	CONNECTOR Hose	30	22	807979T	BRACKET	30	13
807988A2	ELBOW ASSEMBLY Exhaust	38	9	8079921	COVER Hose Clamp End	72	NS
8079923	COVER Hose Clamp End	42	NS	8079923	COVER Hose Clamp End	48	NS
8079923	COVER Hose Clamp End	74	NS	8079923	COVER Hose Clamp End	76	NS
808001A1	FITTING ASSEMBLY	30	6	808002A1	FITTING KIT	30	19
808003	CONNECTOR	32	6	808005	SCREW (.250-20 x .500)	30	23
808009A1	SWITCH ASSEMBLY	66	17	808014T	MODULE ESC	18	8
808015T	SENSOR ESC Control	22	13	808023T	STRAP Bracket	84	5
808024A1	PLUG ASSEMBLY	36	3	808033	HOSE Molded	42	8
80804762	HOSE (.2187 x .440)	30	29	80804762	HOSE (.2187 x .440) (7/32 IN. I.D.)	34	29
808061	CONNECTOR Hose	34	28	808488	PIN	24	13
808489	WASHER	24	15	808491	SCREW	24	3

PARTS INDEX

Part No.	Description	Pg.	Ref.no	Part No.	Description	Pg.	Ref.no
808547	O-RING	36	9	808624	CONNECTOR	84	8
808625	CAP Drive Lube Monitor Oil Bottle	84	7	809133T	STATOR	10	12
809135	SPACER	10	4	809136	NUT	10	1
809137	LOCKWASHER	10	2	809138	BOLT	10	23
809139	FAN ASSEMBLY	10	5	809140	SPACER	10	6
809141	SCREW	10	27	809142	TERMINAL	10	28
809143	NUT	10	17	809144	COVER	10	30
809145	SET SCREW	10	31	809146	MOLD	10	16
809147	LEAD WIRE (RED)	10	33	809148	LEAD WIRE (BLACK)	10	32
809149	CAP	10	29	809150	ROTOR	10	11
809151	BRACKET ASSEMBLY	10	7	809152	RETAINER	10	10
809153	BEARING	10	9	809154	SCREW	10	8
809155	BRACKET ASSEMBLY	10	13	809156	O-RING	10	21
809157	NUT	10	20	809158	MOLD	10	19
809159	BOLT	10	22	809160	SET SCREW	10	15
809161	CONDENSER	10	18	809162	RECTIFIER	10	14
809165	SPRING	10	26	809463A1	SOLENOID KIT	6	27
809825	RTV SILICONE (3 Ounce Tube) Metallic Blue	54	-	809892	BALANCER Harmonic	60	12
809893	TIMING COVER ASSEMBLY (SCREWS, GROMMETS AND OIL SEAL ARE NOT SOLD SEPARATELY)	62	20	8099071	PUMP ASSEMBLY Oil	64	1
8099081	SCREEN	64	3	809980T1	PAN Oil (ALUMINUM)	64	6
809992	VALVE Intake	52	9	811637T	MODULE	24	10
811639T	COIL	24	9	811839T	CONNECTING ROD	58	12
8118441	LIFTER Roller	54	11	811858	BEARING	58	15
811859	BEARING	58	15	811883T	REGULATOR ASSEMBLY	10	24
811884	BRUSH	10	25	813995A1	GUIDE ASSEMBLY Spring	66	21
814001	PIN Clevis	66	15	8140021	STUD (.250 x 2.870)	66	2
814476	BUSHING	6	25	814806	WASHER (.344 x .688 x .065) Stainless Steel	50	5
814875	COVER Heat Exchanger End	46	NS	814877	BOLT	46	NS
814878	O-RING Special	46	NS	8148791	CAP	46	NS
815407A2	CAP Distributor	26	2	815425T	SENDER ASSEMBLY	22	2
815504105	CLAMP Worm Gear (11-18 mm)	72	17	815504212	CLAMP Worm Gear	42	21
815504212	CLAMP Worm Gear	48	39	815504220	CLAMP Worm Gear	42	20
815504220	CLAMP Worm Gear	46	21	815504222	CLAMP Worm Gear (1.98 Diameter)	42	23
815504222	CLAMP Worm Gear (1.98 Diameter)	46	25	815504228	CLAMP Worm Gear	46	29
815504232	CLAMP Worm Gear (2.50 Diameter)	42	22	815504232	CLAMP Worm Gear (2.50 Diameter)	46	27
815504272	CLAMP Worm Gear	74	2	815504272	CLAMP Worm Gear	74	4
815504272	CLAMP Worm Gear	76	2	815504388	CLAMP Worm Gear	46	4
816133	FITTING	32	2	816311T	TIE STRAP (8.00 Inches)	30	30
816336	SPARK PLUG	24	27	816336	SPARK PLUG	26	16
816398	CLIP	42	24	816398	CLIP	78	4
816460	GASKET	52	19	816492A6	ALARM KIT	22	9
816565	PLUG Cup (.468)	54	10	816585	SCREW (.312-18 x .875)	42	29
816601	SCREW (.437-20 x 1.500)	8	26	816608A82	CABLE KIT Ignition (SPARK PLUGS & COIL)	24	23
816608A82	CABLE KIT Ignition (SPARK PLUGS & COIL)	26	14	817376T	HARNESS ASSEMBLY Distributor Module to Ignition Coil	24	18
817378	COIL	24	19	817618	NUT (.437-20)	8	21
817618	NUT (.437-20)	8	27	817618	NUT (.437-20)	12	15
817618	NUT (.437-20)	12	30	818380T	BUSHING	8	19
818380T	BUSHING	8	22	818380T	BUSHING	12	14
818380T	BUSHING	12	28	8183812	PINION STUD (.437-20) Stainless Steel	8	18
8183812	PINION STUD (.437-20) Stainless Steel	12	16	818382	PULLEY	8	23
818382	PULLEY	12	27	818465	BEARING SET 5 Pair	58	3
818466	BEARING SET 5 Pair	58	3	818467	BEARING SET 5 Pair	58	3
818468	BEARING SET 5 Pair	58	3	8184851	KEY	58	17
818598T	BRACKET	38	21	818807	GEAR	26	8
821579	SCREW (#10-24 x .500)	34	15	8241481	BALANCED SHAFT	54	14
824150	BEARING Needle (REAR)	54	16	8241511	GEAR KIT	54	19
824152	SCREW	54	20	824153	RETAINER Balance Shaft	54	17
8243171	VALVE Exhaust	52	8	8243181	VALVE Exhaust	52	8
8243201	FLYWHEEL	58	5	8243261	GASKET SET	60	5

PARTS INDEX

Part No.	Description	Pg.	Ref.no	Part No.	Description	Pg.	Ref.no
824328	SPROCKET Camshaft	54	25	824329	SCREW (.312-18 x .750)	54	21
824329	SCREW (.312-18 x .750)	54	27	824330T1	MANIFOLD Intake	60	1
8243311	RETAINER Lifter	54	12	8243321	SCREW (.312-18 x .625)	54	13
824333	RETAINER Camshaft	54	28	824334	SCREW (.250-20 x .500)	54	29
824335T	ROCKER ARM AND BALL KIT	52	15	827149	COVER Rocker	52	1
827150	COVER Rocker	52	1	827151	CAP Oil Fill	52	2
827152	GROMMET	34	8	827153	SCREW	52	3
827154	GASKET Rocker Cover	52	5	827155	O-RING	52	4
8271782	CYLINDER HEAD ASSEMBLY	52	17	828213	SCREW (.312-18 x 1.500) Hex Flange	12	4
830796A1	CONNECTOR ASSEMBLY	22	14	83498799	PARTS MANUAL 4.3L EFI ALPHA/BRAVO (262 C.I.D. GEN+)	2	-
834990T	PULLEY	10	3	835000	RING SET Piston	58	2
835001T	PISTON ASSEMBLY	58	1	835002T	PISTON ASSEMBLY	58	1
835004	BOLT (.312-18 x 1.75)	60	2	843504	SCREW (.380-16 x 1.500) Stainless Steel	38	11
850399	PUMP ASSEMBLY Water	60	6	850484T	CAP	24	2
850485	ROTOR	24	4	850486	SHAFT ASSEMBLY Main	24	5
850488	HOUSING	24	7	850490	SHIELD	24	8
850491	RETAINER	24	6	850492	POLE PIECE	24	12
850493	GEAR Drive	24	16	850494	SCREW	24	11
852368	SCREW (#10-24 x .750)	30	17	852941	SEAL Oil (STAMPED 12554314)	62	24
852955	REGULATOR KIT Fuel Pressure	36	12	852956A1	INJECTOR KIT	36	13
852957	GASKET KIT Overhaul	36	14	852958	SCREW KIT	36	15
860065A1	BRACKET KIT Oil Bottle	12	9	860069	NUT (.375-16)	30	28
860077	SCREW (#6-32 x 1.00)	66	18	860080T	BRACKET	18	5
860088	BUSHING	42	12	860088	BUSHING	54	6
860091T	ADAPTER	70	10	860102	STUD (.375-16 x 1.730)	8	12
860102	STUD (.375-16 x 1.730)	12	26	860144	HOSE Thermostat Housing To Port Exhaust Manifold	42	16
860168001	OWNERS MANUAL	2	-	860205	HOSE Oil Cooler to Sea Water Pump	42	18
860205	HOSE Oil Cooler to Sea Water Pump	48	38	860206	HOSE Fuel Cooler to Power Steering Cooler	42	9
860206	HOSE Fuel Cooler to Power Steering Cooler	48	37	860209A1	TUBE Dipstick	64	11
860223A2	HARNESS ASSEMBLY Engine Wiring	14	-	860232	GASKET	38	8
860232	GASKET	38	15	860234A1	HEAT EXCHANGER	46	1
860256A3	HOUSING ASSEMBLY Thermostat	42	1	860256A4	HOUSING ASSEMBLY Thermostat	42	1
860303	FITTING	70	13	860315A1	TUBE Hose Extender	46	32
860320A1	THROTTLE BODY ASSEMBLY	36	5	860326A2	BRACKET ASSEMBLY Heat Exchanger	46	2
860327	HOSE	46	19	860332	HOSE	46	24
860346	FITTING Elbow (90 Degree) (.750)	46	30	860370T	BRACKET Alternator/Power Steering	8	11
860417T	CLAMP	48	34	860418T	BRACKET	48	33
860419	HOSE Thermostat Housing To Heat Exchanger	46	23	860421	HOSE Heat Exchanger To Exhaust Manifold	46	19
860485	HOSE Thermostat By-Pass	46	22	861001R1	ECM Engine Control Module	18	10
861049	BELT Serpentine	4	-	861049	BELT Serpentine	60	14
861059	HOSE	46	26	861156A1	PUMP ASSEMBLY	30	3
861157T1	HARNESS ASSEMBLY EFI	16	-	861187	PLUG (.750-14) Pipe	38	2
861187	PLUG (.750-14) Pipe	38	10	861187	PLUG (.750-14) Pipe	38	13
861187	PLUG (.750-14) Pipe	40	3	861188A1	HOUSING ASSEMBLY Thermostat	46	8
861197A2	ADAPTOR ASSEMBLY TBI	34	10	861198	CLIP	34	16
861233	HOSE Oil	70	8	861234	HOSE Oil	70	9
861238A1	HARNESS ASSEMBLY EFI	16	-	861249A1	SENSOR ASSEMBLY Manifold Air Pressure	34	14
861267A1	COOLER KIT Fuel	30	8	861303	SCREW (.250-28) Special	30	9
861314A9	DECAL SET	88	1	861314A98	DECAL SET Flame Arrestor	88	1
8613281	SERVICE MANUAL	2	-	861414	RING Retaining	30	10
861554T	COOLER	42	28	861571A1	LINE Fuel (FUEL COOLER TO TBI)	30	26
861577	STUD Double Ended Metric (M10)	80	5	861578	PULLEY (5-3/4" METRIC)	72	4
861579	PULLEY	50	15	861580	STUD (METRIC)	78	3
861590A2	HOSE ASSEMBLY Thermostat Housing to Water Pump With Drain	42	11	861714T	BRACKET ECU Mounting	20	5
861740A1	MARINE LONG BLOCK ENGINE	54	-	861757	BELT Serpentine	4	-
861757	BELT Serpentine	60	14	861758	BELT Serpentine	4	-
861758	BELT Serpentine	60	14	861759	BELT Serpentine	4	-
861759	BELT Serpentine	60	14	861780A2	SENSOR ASSEMBLY	26	6
861788	SCREW (M10 x 1.5)	6	2	861819T1	HARNESS ASSEMBLY Engine	14	-

PARTS INDEX

Part No.	Description	Pg.	Ref.no	Part No.	Description	Pg.	Ref.no
861854	WASHER (.453 x .750 x .032) Stainless Steel	34	19	861880A1	ADAPTOR Fuel Fitting	36	3
861942T6	GAUGE Oil Level	64	12	86197763	HOSE (33.00 Inches Bulk) (3/8 IN. I.D.)	34	27
862031T	ALTERNATOR ASSEMBLY (65 AMP)	12	1	862055T	BRACKET Alternator Mounting	12	7
862056T	BRACKET	12	12	862082T	BRACE Power Steering	12	19
862082T	BRACE Power Steering	72	5	862083T	BRACKET Idler Adjustment	12	13
862084T	BRACKET Idler	12	23	862085T	BRACE Idler Bracket	12	25
862086	BELT Serpentine	4	-	862087	BELT Serpentine	4	-
862088A1	BELT Serpentine	4	-	862123T	BRACKET Alternator Brace	12	21
862124	HOSE Thermostat Housing to Starboard Manifold	42	17	862125	HOSE Heat Exchanger To Exhaust Manifold	46	20
862139	HOSE Thermostat Housing to Port Exhaust Manifold	42	16	862148T3	ECM Engine Control Module	20	14
862150	HOSE Heat Exchange To Exhaust Manifold.	46	20	862179T1	HARNESSE ASSEMBLY Engine	14	-
862659	DECAL Mercury GM Logo	88	2	862812	FITTING Quick Connect (Female)	64	19
862827	TETHER ASSEMBLY	64	21	86400	WASHER	34	2
878050	VALVE	54	9	878051	LIFTER Roller	54	11
88543A3	CABLE ASSEMBLY	82	8	89302	WASHER (.203 x .406 x .040)	30	18
89876A3	BASE ASSEMBLY Fuel Filter/Water Separator	32	1	89879	O-RING (.301 x .064)	72	12
89879	O-RING (.301 x .064)	72	15	8M2016106	SCREW (.312 x 1.25)	42	29
90096A1	STUD ASSEMBLY (#10-32 x Special)	24	21	90096A1	STUD ASSEMBLY (#10-32 x Special)	26	24
90517	NUT (M10)	72	10	905201	SPACER (.750 x .250)	72	9
90562	SEAL (1.254 x .312)	50	10	90926	SCREW (#10-32 x .810)	26	3
90931	THRUST WASHER	26	10	93320A5	RISER KIT Exhaust (3 Inches)	38	12
93322A7	RISER KIT Exhaust (6 Inches)	38	12	94288	QUAD RING	50	7
94330	NUT (.250-20) Brass	8	5	94330	NUT (.250-20) Brass	22	28
94576	WEAR PLATE (INNER)	50	8	94913A5	HOUSING ASSEMBLY Pump	50	9
95171	CRANKSHAFT	58	16	95805	CAP	72	3
96112	STUD (.250-28 x 2.00) Throttle Cable Anchor	66	11	96112	STUD (.250-28 x 2.00) Throttle Cable Anchor	68	11
96158T	SOLENOID	22	22	96457	WASHER Phenolic (.27 x .81 x .062)	8	6
97257A1	SENDER ASSEMBLY Water Temperature	22	3	97477A3	STUD KIT	34	17
976641	SEAL	52	11	97850	ELBOW 90 Degree Breather	34	7
97861	INSULATOR	22	29	97934	SCREW (.500-20 x 5.370) Special	80	12
98253	SCREW (.250-20 x .500)	18	6	98253	SCREW (.250-20 x .500)	20	8
98257	SCREW (.312-18 x .500)	70	5	98261	SCREW (.375-16 x .750)	8	8
98261	SCREW (.375-16 x .750)	8	16	98261	SCREW (.375-16 x .750)	12	8
98261	SCREW (.375-16 x .750)	12	10	98261	SCREW (.375-16 x .750)	18	4
98261	SCREW (.375-16 x .750)	20	4	98261	SCREW (.375-16 x .750)	26	22
98261	SCREW (.375-16 x .750)	70	6	98508	SCREW (.375-16 x 3.00)	42	7
987981	STUD (.250-20/.250-28 x 2.120)	68	2	98828	SPACER	68	4
98869A11	ELECTRODE ASSEMBLY	82	1	98880	SPRING	66	7
98880	SPRING	68	7	991551	THERMOSTAT	46	12
99297A2	MOUNT Rubber	80	2	99298	NUT (.500-20)	80	17
99299	SPACER (.520 x .870 x .630)	80	16	99322	SPACER	80	3
99746A17	MANIFOLD ASSEMBLY Exhaust	38	1	99757	GASKET	38	3
99757	GASKET	40	2	F1669	NUT (#6-32)	66	20
NSS	NOT SOLD SEPARATE Field and Frame Kit	6	10	NSS	NOT SOLD SEPARATE Armature	6	11
NSS	NOT SOLD SEPARATE Brush Holder and Spring	6	12	NSS	NOT SOLD SEPARATE Frame	6	13
NSS	NOT SOLD SEPARATE Screw	6	14	NSS	NOT SOLD SEPARATE Shaft and Gear	6	17
NSS	NOT SOLD SEPARATE Gasket	6	18	NSS	NOT SOLD SEPARATE Gear	6	19
NSS	NOT SOLD SEPARATE Collar-Thrust	6	23	NSS	NOT SOLD SEPARATE Grommet	6	26
NSS	NOT SOLD SEPARATE Lever	6	28	NSS	NOT SOLD SEPARATE Screw	6	29
NSS	NOT SOLD SEPARATE Cylinder Block (Order Long Block 807736A1)	54	1	NSS	NOT SOLD SEPARATE Ball Bearing (FRONT)	54	15