

Parts Manual

Cat.# 90-8M0095754

Revised 09-10-2020

TABLE OF CONTENTS

Cat.# 90-8M0095754

Service and Support Material	1
Maintenance Kits	3
Top and Front Covers	5
Electrical Components Starter, Alternator, and Coil Bracket	7
Electrical Components Bracket and Propulsion Control Module	9
Cylinder Block, Camshaft, Crankshaft, and Balanceshaft	11
Cylinder Head and Rocker Cover	13
Pistons and Connecting Rods	15
Front Cover and Circulating Pump	17
Fuel Supply Module and Rail	19
Fuel Supply Module	21
Intake Manifold Assembly	23
Oil Fill Tube	25
Exhaust Manifold and Elbow	27
Exhaust System Components	31
Raw Water Cooling Crossover Assembly	33
Raw Water Cooling Cooling Hoses	35
Raw Water Cooling (Bravo) Sea Pump Hoses	37
Fresh Water Cooling Crossover Assembly	39
Fresh Water Cooling Cooling Hoses	41
Fresh Water Cooling Sea Pump Hoses	43
Fresh Water Cooling Heat Exchanger	45
Poppet Valve Assemblies	49
Water Distribution Housing Rod Actuated	51
Water Distribution Housing Air Actuated Drain	53
Sea Water Pump Closed Cooling and Bravo Standard Cooling	55
Remote Oil Raw Water Cooling	57
Remote Oil Fresh Water Cooling	59
Oil Pan and Pump	61
Steering System and Drive Lube Bottle	63
Shift Bracket Digital Throttle and Shift	67
Shift Bracket Alpha	69
Shift Bracket Bravo	71
Trim Pump Assembly	73
Trim Pump and Motor Components	75
Engine Mounts	77
Flywheel and Coupler	79
Harnesses	81

TABLE OF CONTENTS

Mercathode Kit.....	83
Accessories.....	85
Jackshaft Components.....	87

Service and Support Material

Cat.# 90-8M0095754

Service and Support Material

Ref #	Part Class	Part Number	Description	Comments	Qty	Note
-	0090	8M0095754	PARTS MANUAL 4.5L MPI Alpha/Bravo		1	
-	0090	8M0080334	OPERATION MANUAL 4.5L MPI		1	
-	0090	8M0080335	INSTALLATION MANUAL		1	
-	0090	8M0080338	SERVICE MANUAL 4.5L MPI		1	

Service and Support Material

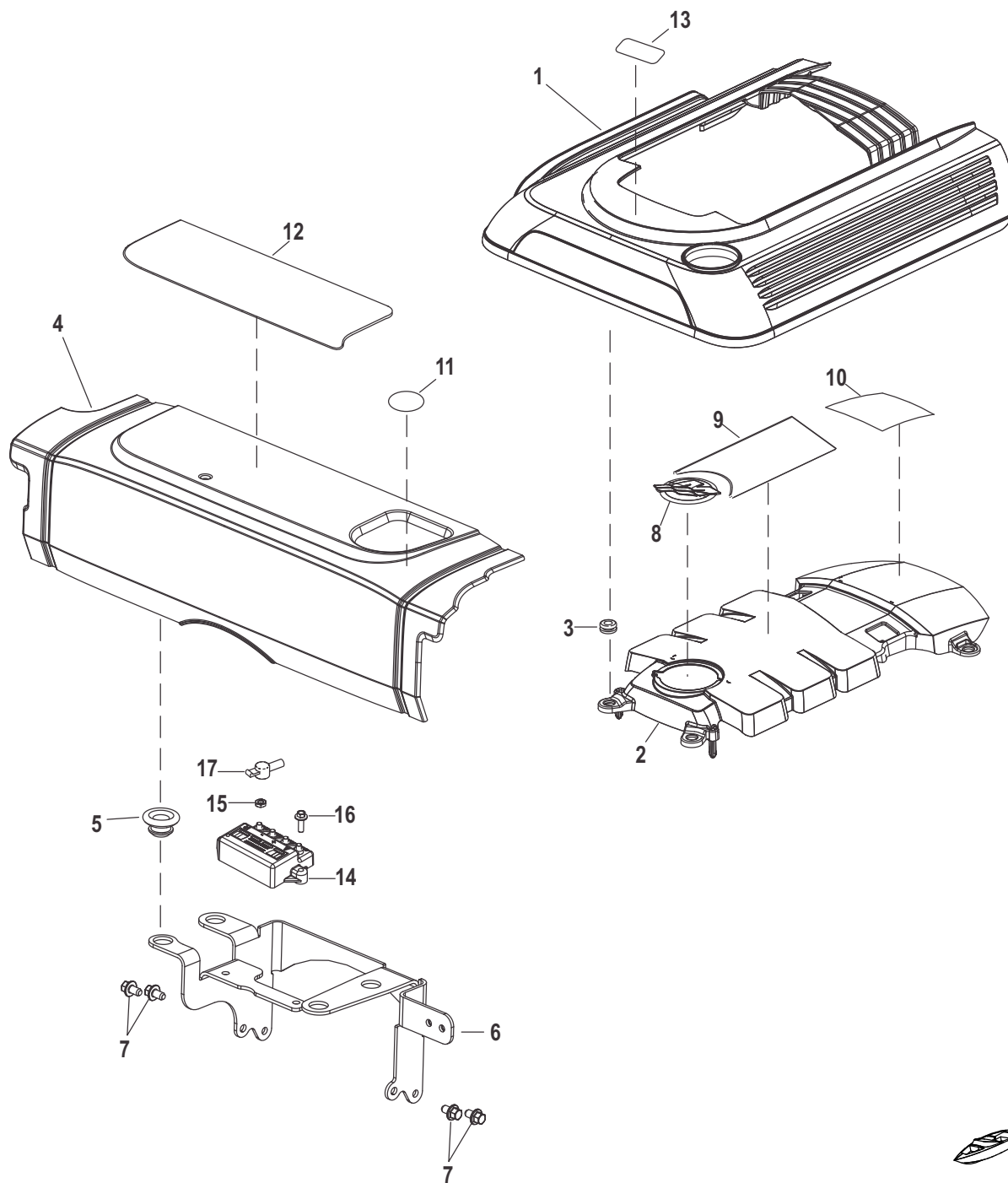
Maintenance Kits

Ref #	Part Class	Part Number	Description	Comments	Qty	Note
-	0000	8M0147052	MAINTENANCE KIT 4.5L/6.2L MPI (100 Hours)		1	
-	0035	866340K01	FILTER Oil - Mercury Brand		1	[1]
-	0035	8M0122424	FUEL FILTER Mercury		1	[2]
-	0026	830749	SEAL		2	
-	0000	8M0147066	MAINTENANCE KIT 4.5L MPI Alpha (300 Hours)		1	
-	0035	866340K01	FILTER Oil - Mercury Brand		1	[1]
-	0035	8M0122424	FUEL FILTER Mercury		1	[2]
-	0026	830749	SEAL		2	
-	0033	8M0095454	SPARK PLUG		6	
-	0000	8M0089715	THERMOSTAT 60 Degree C (140 Degree F)		1	[3]
-	0027	8M0079167	GASKET		1	
-	0027	806871	GASKET		1	
-	0057	8M0087881	BELT Serpentine		1	
-	0021	8M2017060	VALVE PCV		1	
-	0000	8M0147067	MAINTENANCE KIT 4.5L MPI Bravo (300 Hours)		1	
-	0035	866340K01	FILTER Oil - Mercury Brand		1	[1]
-	0035	8M0122424	FUEL FILTER Mercury		1	[2]
-	0026	830749	SEAL		2	
--	0033	8M0095454	SPARK PLUG		6	
-	0000	8M0089715	THERMOSTAT 60 Degree C (140 Degree F)		1	[3]
-	0027	8M0079167	GASKET		1	
-	0027	806871	GASKET		1	
-	0057	8M0097728	BELT Serpentine		1	
-	0021	8M2017060	VALVE PCV		1	
-	0047	8M0137221	IMPELLER KIT Heavy Duty		1	

PART NOTES:

- [1] - Alternate part numbers:
 866340K01MPP
 866340Q02Service Part
 866340Q03QS
- [2] - Alternate part numbers:
 8M0122423QS
 8M0122424MPP
- [3] - Alternate part numbers:
 807252Q 4QS Kit
 807252T 4MPP Kit
 8M0089715Service Part

Top and Front Covers

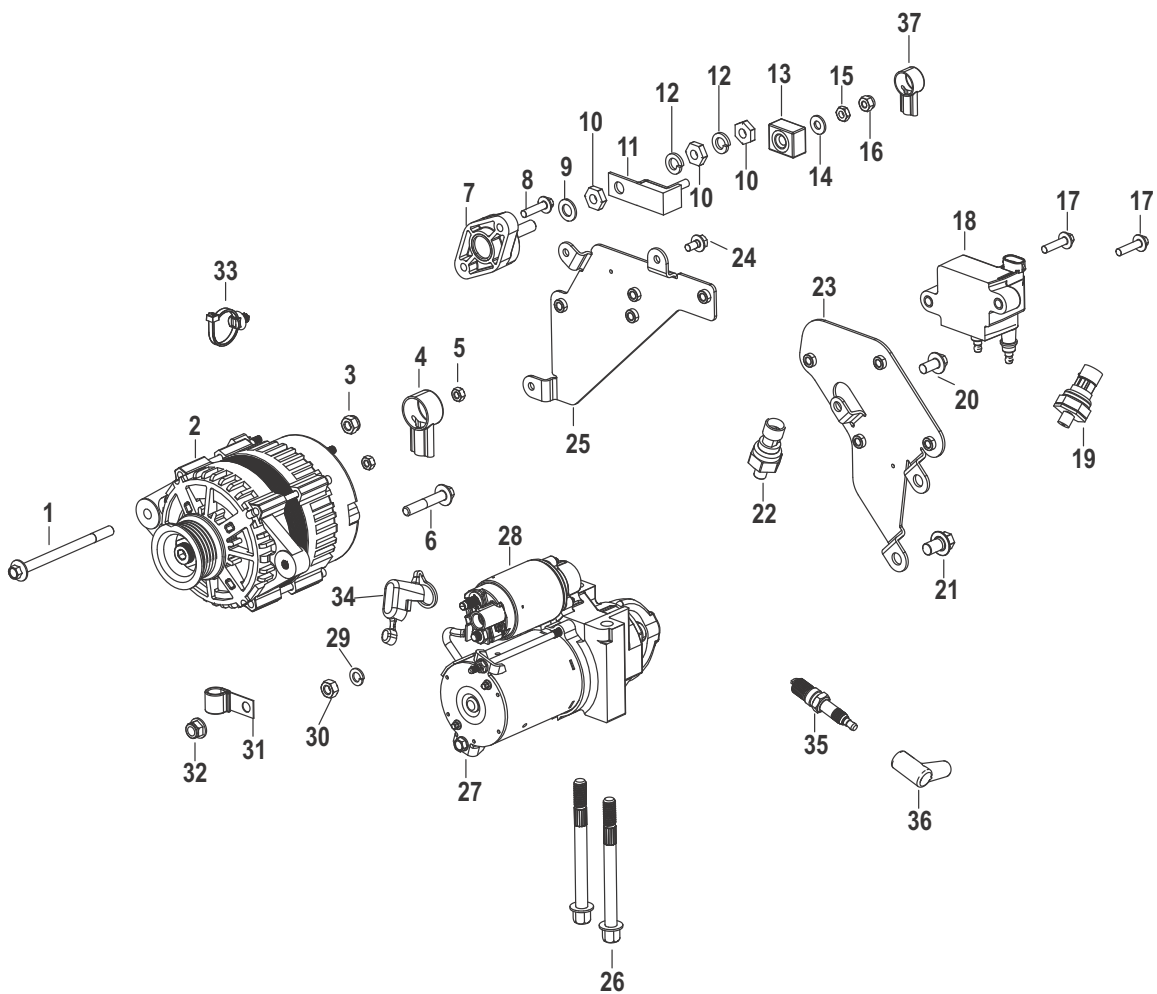


62013

Top and Front Covers

Ref #	Part Class	Part Number	Description	Comments	Qty	Note
1	0100	8M0095484	COVER Engine		1	
2	0100	8M0095483	COVER Intake		1	
3	0025	828249	GROMMET		4	
4	0100	8M0095456	COVER	RWC	1	
5	0025	8M2001671	GROMMET	RWC	4	
6	0000	8M0095455	BRACKET		1	
7	0010	892454010	SCREW (M6 x 10)		4	
8	0037	8M0043703	DECAL M-Icon, 66 MM, Black		1	
9	0037	8M0085345	DECAL Center Cover 4.5L		1	
9	0037	8M0085346	DECAL Center Cover 4.5L	Seacore	1	
10	0037	8M0085343	DECAL Rear Center Cover		1	
10	0037	8M0085344	DECAL Rear Center Cover	Seacore	1	
11		NSS	NOT SOLD SEPARATE DECAL, No Step		1	
12	0037	8M0085355	DECAL Specifications Alpha	250 RWC	1	
12	0037	8M0085356	DECAL Specifications Bravo	250 RWC	1	
12	0037	8M0085370	DECAL Specifications	200 RWC	1	
13	0037	8M0085340	DECAL 250 Hp		1	
13	0037	8M0085341	DECAL Chrome		1	
NS	0037	8M0085349	DECAL Emissions Control Technology		1	
NS	0037	8M0085360	DECAL Remove Cover		1	
NS	0037	8M0042965	DECAL CARB 4 Star		1	
-	0000	8M0100517	MERCATHODE CONTROLLER MerCathode	RWC	1	
14		NSS	NOT SOLD SEPARATE Controller	RWC	1	
15	0011	68219	NUT (#10-32) Stainless Steel	RWC	4	
16	0010	4010516	SCREW (M5 x 16) Stainless Steel	RWC	2	
17	0085	86606	BOOT Insulator - Black	RWC	4	
NS	0084	8M0096310	HARNESS Mercathode 3 Wire	RWC	1	

Electrical Components Starter, Alternator, and Coil Bracket



62249

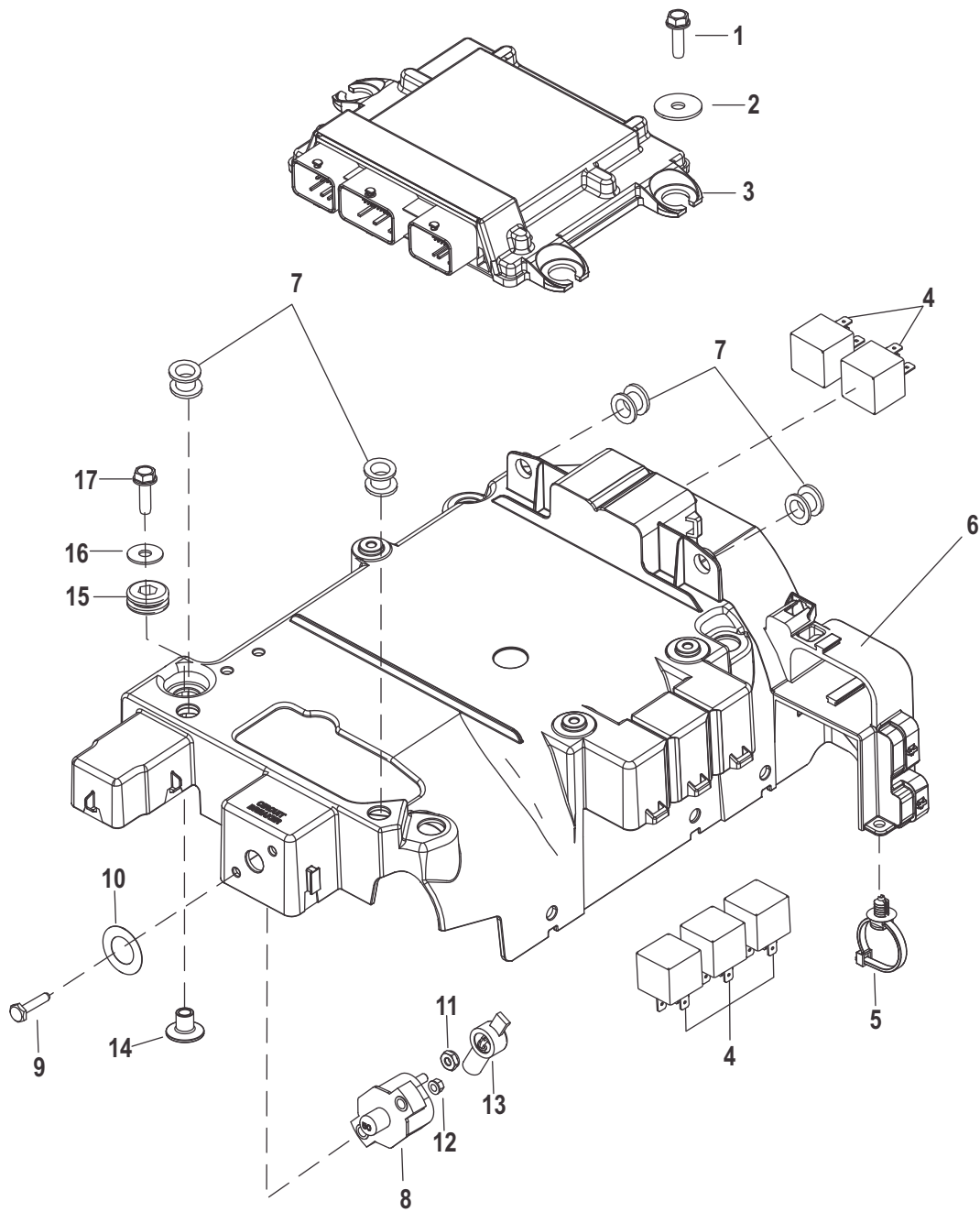
Electrical Components Starter, Alternator, and Coil Bracket

Ref #	Part Class	Part Number	Description	Comments	Qty	Note
1	0010	40095110	SCREW (M8 x 110)		1	
2	0000	8M0095472	ALTERNATOR ASSEMBLY		1	
3	0011	401368	NUT (M8) Stainless Steel		1	
4	0085	8M0084147	INSULATOR		1	
5	0011	400212	NUT (M6) Stainless Steel		2	
6	0010	40011153	SCREW (M8 x 45) Stainless Steel		1	
7	0000	8M0077643	HOT STUD ASSEMBLY		1	
8	0010	82130025	SCREW (M6 x 25)		2	
9	0012	34931	WASHER (.406 x .734 x .063) Stainless Steel		1	
10	0011	8M0089455	NUT		3	
11	0088	8M6002021	FUSE HOLDER		2	
12	0013	58643	LOCKWASHER (.375)		2	
13	0088	8M6001960	FUSE 90 Amp - Purple		1	
14	0012	35044	WASHER (.281 x .625 x .065) Stainless Steel		1	
15	0011	94330	NUT (.250-20) Brass		1	
16	0011	8267118	NUT (.250-20)		1	
17	0010	4010625	SCREW (M6 x 25) Stainless Steel		6	
18	0300	8M0044991	IGNITION COIL Ignition Dual Output		3	
19	0000	8M6000623	SENSOR Water Pressure Water Pressure		1	
20	0010	4010716	SCREW (M8 x 16)		1	
21	0010	8M0083541	SCREW (M10 x 16)		2	
22	0000	8M6000634	PRESSURE SENSOR Oil Pressure		1	
23	0000	8M0095474	BRACKET Coil		1	
24	0010	8M0106012	SCREW (M6 x 1-12)		3	
25	0000	8M0095473	BRACKET Coil		1	
26	0010	861788	SCREW (M10 x 1.5)		2	
27	0050	8M0095471	STARTER ASSEMBLY		1	
28	0089	8M6003698	SOLENOID		1	
29	0013	26993	LOCKWASHER (.312)		1	
30	0011	400213	NUT (M8) Stainless Steel		1	
31	0054	47483	J CLIP		1	
32	0011	826365	NUT (M8)		1	
33	0054	899145	CLIP Tie Strap		1	
34	0085	8M2023920	BOOT		1	
35	0033	8M0095454	SPARK PLUG		6	[1]
36	0084	8M0095475	CABLE KIT Ignition		1	
37	0085	8M0076059	INSULATOR Hot Stud		1	
NS	0084	8M0095579	HARNESS ASSEMBLY Transom		1	
NS	0084	8M0095979	HARNESS Power		1	
NS	0084	8M0095980	HARNESS Ground		1	

PART NOTES:

[1] - Component of Longblock Assembly [8M0095517]

Electrical Components Bracket and Propulsion Control Module

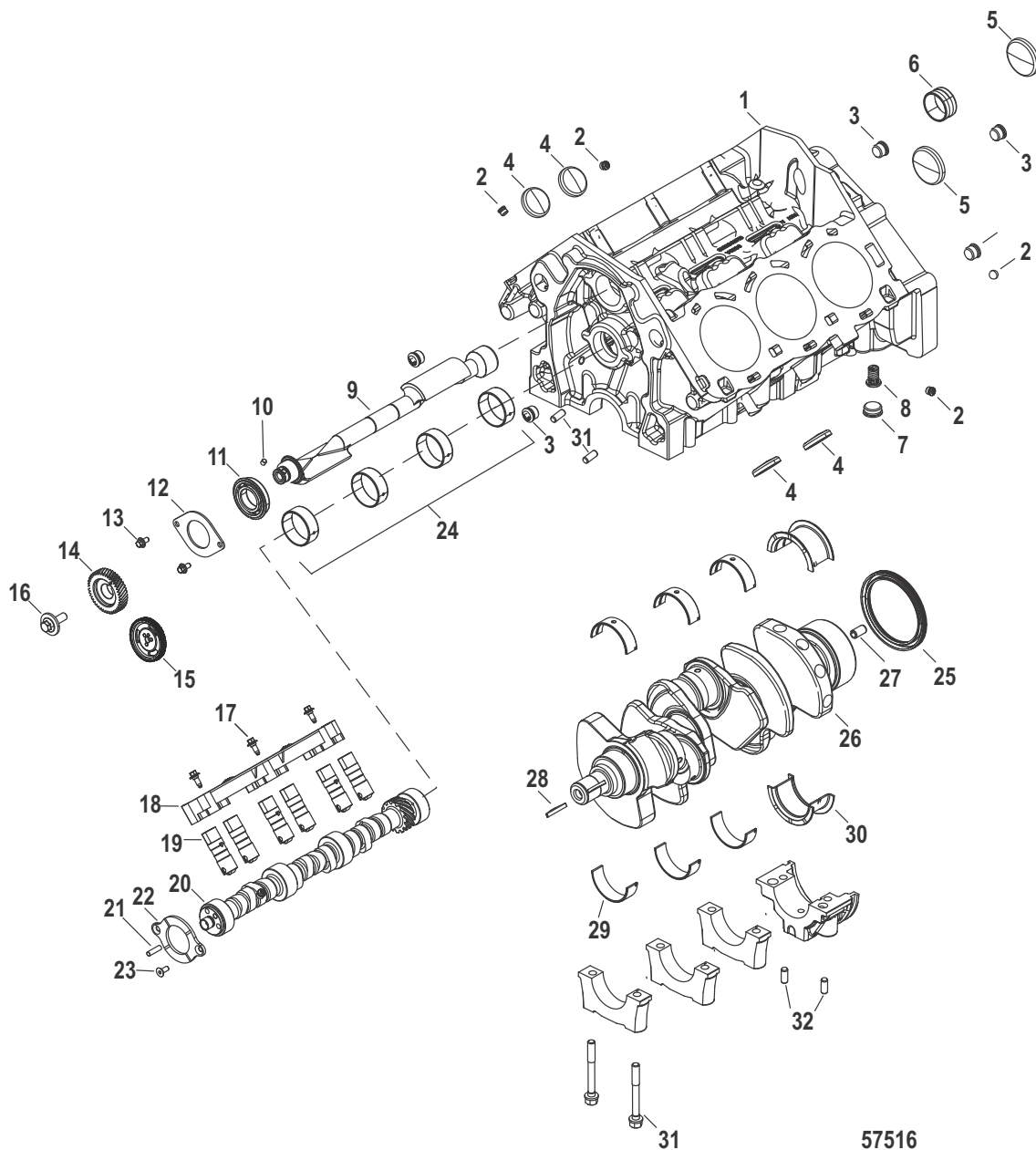


56641

Electrical Components Bracket and Propulsion Control Module

Ref #	Part Class	Part Number	Description	Comments	Qty	Note
1	0010	897445501	SCREW (M6 x 20 MM)		3	
2	0012	35280	WASHER (.255 x .620 x .030) Stainless Steel		3	
3		8M0097176	PCM Propulsion Control Module	250 HP A EC (DTM)	1	
3		8M0097177	PCM Propulsion Control Module	250 HP A Non-EC (DTM)	1	
3		8M0097178	PCM Propulsion Control Module	250 HP B Non-EC (DTS)	1	
3		8M0097179	PCM Propulsion Control Module	250 HP B EC (DTS)	1	
3		8M0097180	PCM Propulsion Control Module	250 HP B EC (DTM)	1	
3		8M0097181	PCM Propulsion Control Module	250 HP B Non-EC (DTM)	1	
3		8M0104328	PCM Propulsion Control Module	200 HP A EC (DTM)	1	
3		8M0104329	PCM Propulsion Control Module	200 HP A Non-EC (DTM)	1	
4	0000	8M0057697	CUBE RELAY		5	
5	0054	899145	CLIP Tie Strap		1	
6	0000	8M0095476	BRACKET Electrical		1	
7	0025	8M0096302	GROMMET		4	
8	0088	11178A01	BREAKER Circuit - 50 Ampere		1	
9	0010	45862	SCREW (#10-32 x .875)		2	
10	0037	72554	DECAL Circuit Breaker		1	
11	0011	68219	NUT (#10-32) Stainless Steel		2	
12	0011	826709106	NUT (#10-32) Stainless Steel		2	
13	0085	89919	BOOT Insulator - Black		2	
14	0023	856954	BUSHING		4	
15	0025	834985	GROMMET		4	
16	0012	65567	WASHER (.265 x .750 x .048) Stainless Steel		4	
17	0010	88552525	SCREW (M6 x 25 MM) Stainless Steel		4	
NS	0054	816311	TIE STRAP (8.00 Inches)		10	

Cylinder Block, Camshaft, Crankshaft, and Balanceshaft



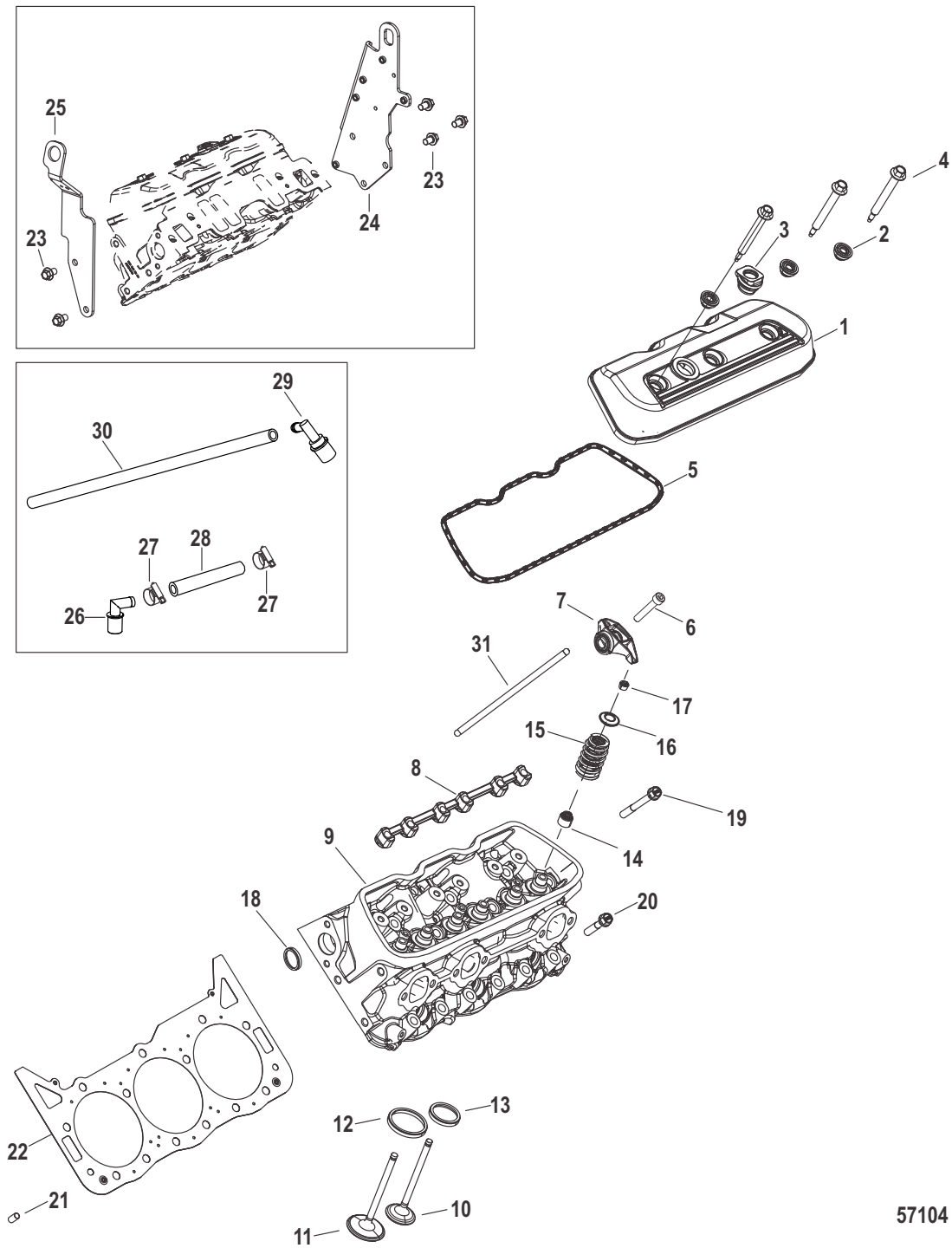
Cylinder Block, Camshaft, Crankshaft, and Balanceshaft

Ref #	Part Class	Part Number	Description	Comments	Qty	Note
1		NSS	NOT SOLD SEPARATE Cylinder Block		1	[1]
2	0019	8M0048146	PLUG (10MM)		6	[1]
3	0019	8M0047995	PLUG (18 MM)		5	[1]
4	0019	8M6002412	PLUG (1.64)		3	[1]
5	0019	8M6002413	PLUG (2.14)		4	[1]
6	0023	8M6002001	BEARING		1	[1]
7	0019	8M0047996	PLUG (24 MM)		2	[1]
8	0000	8M6003344	VALVE ASSEMBLY Oil Bypass Oil Bypass Valve		1	[1]
9	0000	8M0095939	BALANCE SHAFT		1	[1]
10	0017	8M0076339	DOWEL PIN		1	[1]
11	0030	8M6002000	BEARING		1	[1]
12	0000	8M0076338	RETAINER		1	[1]
13	0010	8M0085530	SCREW (M6 x 12)		2	[1]
14	0043	8M0095940	GEAR		1	[1]
14	0043	8M0173289	GEAR SET		1	[1]
15		NSS	NOT SOLD SEPARATE Camshaft Gear	Included in 8M0173289	1	
16	0010	8M0080292	SCREW (M10 x 1.5)		1	[1]
17	0010	8M0087229	SCREW (M6)		6	[1]
18	0000	8M0074181	LIFTER GUIDE	[2A506005] & Below	2	[1]
18	0000	8M0113651	LIFTER GUIDE	[2A506006] & Up	2	[1]
19	0000	849947T01	LIFTER	[2A506006] & Below	12	[1]
19	0000	8M0117000	LIFTER	[2A506006] & Up	12	[1]
20	0400	8M0095922	CAMSHAFT ASSEMBLY		1	[1]
21	0017	8M0068763	PIN Dowel		1	[1]
22	0023	8M0079045	RETAINER		1	[1]
23	0010	8M0079046	SCREW		2	[1]
24	0023	8M0096749	BEARING SET Camshaft		1	[1]
25	0026	8M6002624	SEAL		1	[1]
26	0400	8M0095918	CRANKSHAFT ASSEMBLY		1	[1]
27	0017	8M0068619	PIN Dowel		1	[1]
28	0028	8M0068620	KEY		1	[1]
29	0023	8M0095916	BEARING SET Main		3	[1]
30	0023	8M0095917	BEARING SET Thrust		1	[1]
31	0010	8M0079283	SCREW (M10 x 1.50 x 86) (10.9 Grade)	[2A528820] & Below	8	[1]
31	0010	8M0114263	SCREW (M10 x 1.50 x 86) (12.9 Grade)	[2A528821] & Up	8	[1]
32	0017	8M0058586	PIN Dowel		4	[1]
-	0000	8M0095517	Longblock ASSEMBLY		1	

PART NOTES:

[1] - Component of Longblock Assembly [8M0095517]

Cylinder Head and Rocker Cover



57104

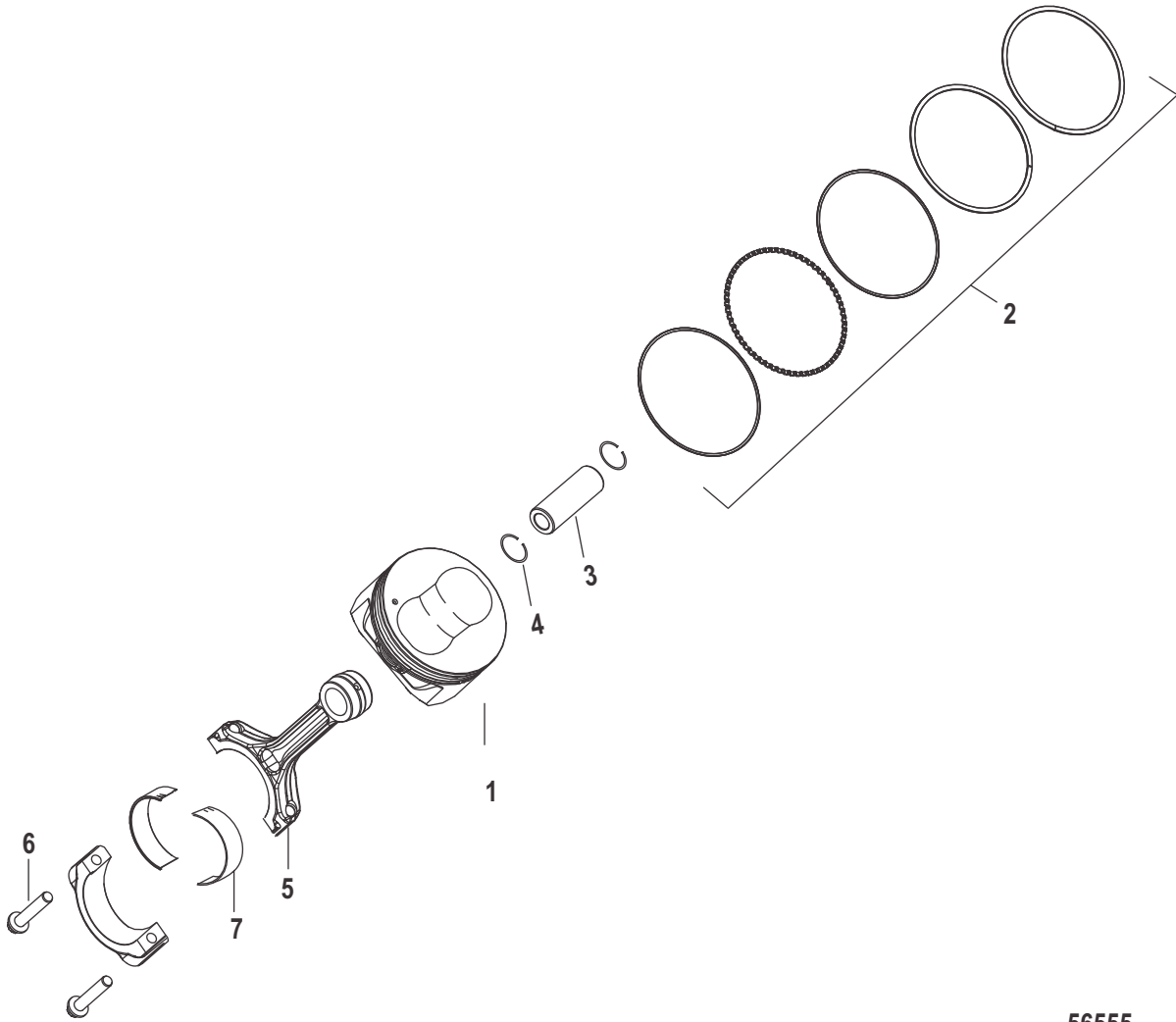
Cylinder Head and Rocker Cover

Ref #	Part Class	Part Number	Description	Comments	Qty	Note
1	0000	8M0095933	COVER ASSEMBLY Rocker		2	[1]
2	0000	8M0069613	GROMMET		6	[1]
3	0000	8M0070507	GROMMET		2	[1]
4	0010	8M0069612	SCREW		6	[1]
5	0027	8M0069616	SEAL		2	[1]
6	0010	8M2024045	SCREW (M8 x 45)		12	[1]
7	0000	8M0095926	ROCKER ARM		12	[1]
8	0000	8M0068783	ALIGNMENT BAR		2	[1]
9	0900	8M0095925	CYLINDER HEAD ASSEMBLY		2	[1]
10	0000	8M0074362	VALVE Exhaust		6	[1]
11	0000	8M0074361	VALVE Intake		6	[1]
12		NSS	NOT SOLD SEPARATE Valve Seat (Intake)		6	[1]
13		NSS	NOT SOLD SEPARATE Valve Seat (Exhaust)		6	[1]
14	0026	8M6055000	SEAL ASSEMBLY Valve		12	[1]
15	0024	8M6002386	SPRING		12	[1]
16	0000	8M0076210	RETAINER		12	[1]
17	0000	8M0076211	LOCK Valve Stem		24	[1]
18	0019	8M6002071	PLUG Expansion		2	
19	0010	8M0074833	SCREW (M10 x 1.5 x 86)		14	[1]
20	0010	8M0074832	SCREW (M10 x 1.5 x 49)		12	[1]
21	0017	23784	PIN Dowel		4	[1]
22	0027	8M6002404	GASKET		2	[1]
23	0010	8M0083541	SCREW (M10 x 16) Port Lifting Eye		2	[1]
23	0010	8M0083541	SCREW (M10 x 16) Starboard Lifting Eye		3	[1]
23	0010	8M0083541	SCREW (M10 x 16) Alignment Eye		2	
NS	0000	8M0091684	BRACKET Port Front Lifting Eye		1	[1]
24	0000	8M0095440	BRACKET Starboard Rear Lifting Eye		1	[1]
25	0000	8M0091592	BRACKET Starboard Front Alignment Eye		1	
26	0000	97850T	ELBOW 90 Degree		1	
27	0054	815504105	CLAMP Worm Gear (11-18 mm)		2	
28	0032	1589431	TUBING (20.00 Inches Bulk)		1	
29	0021	8M2017060	VALVE PCV		1	
30	0032	8M0096213	HOSE (.375 ID x .62)		1	
31	0000	8M6002874	PUSH ROD		12	
-	0000	8M0095517	Longblock ASSEMBLY		1	

PART NOTES:

[1] - Component of Longblock Assembly [8M0095517]

Pistons and Connecting Rods



56555

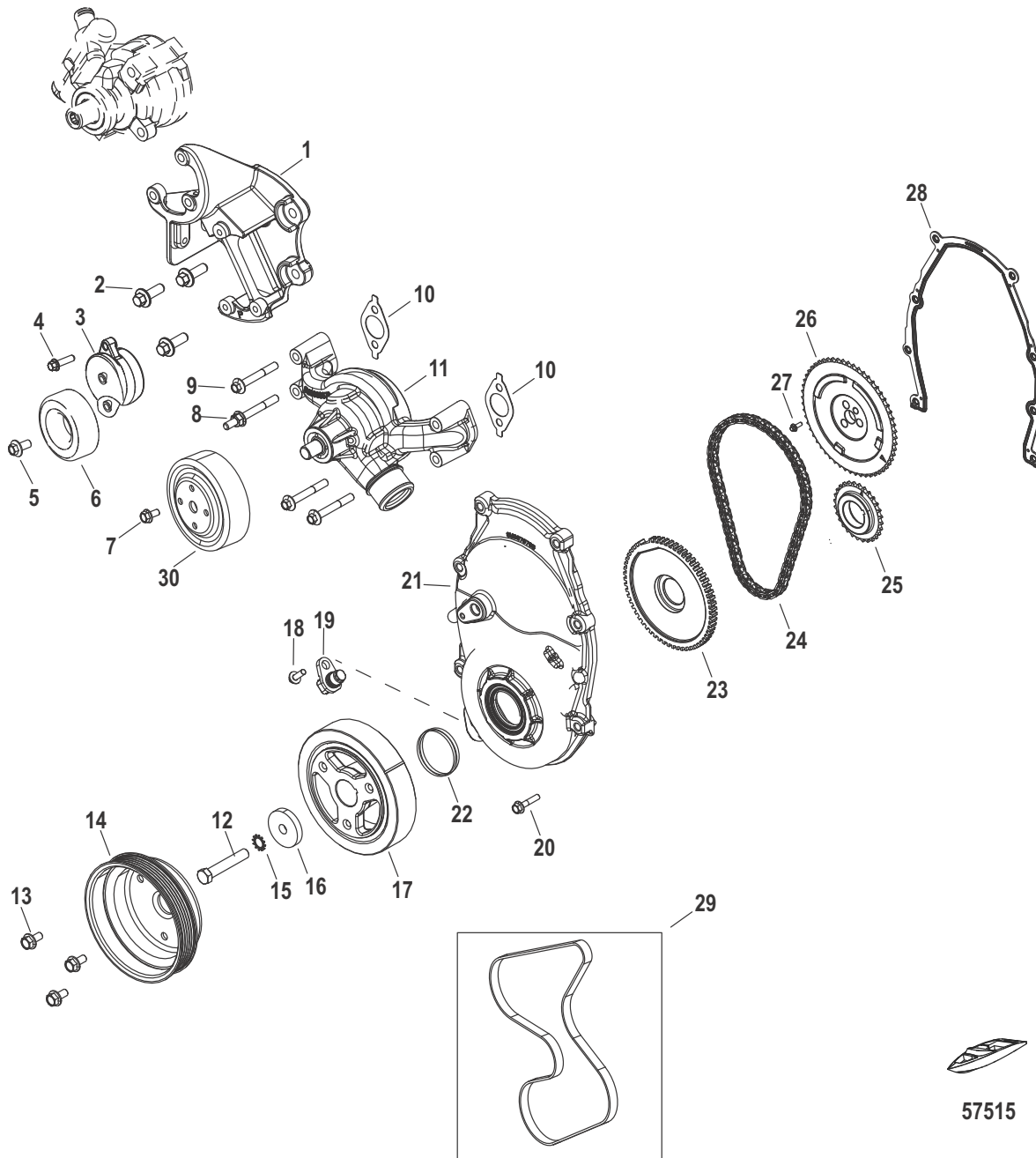
Pistons and Connecting Rods

Ref #	Part Class	Part Number	Description	Comments	Qty	Note
1	0700	8M0095919	PISTON ASSEMBLY		6	[1]
2	0039	8M0095920	RING SET Piston Standard		6	[1]
3		NSS	NOT SOLD SEPARATE PISTON PIN		6	[1]
4	0040	881184	CIRCLIP		12	[1]
5	0614	8M0095921	CONNECTING ROD ASSEMBLY		6	[1]
6	0010	8M0064457	SCREW		12	[1]
7	0023	8M0098506	BEARING		6	[1]

PART NOTES:

[1] - Component of Longblock Assembly [8M0095517]

Front Cover and Circulating Pump



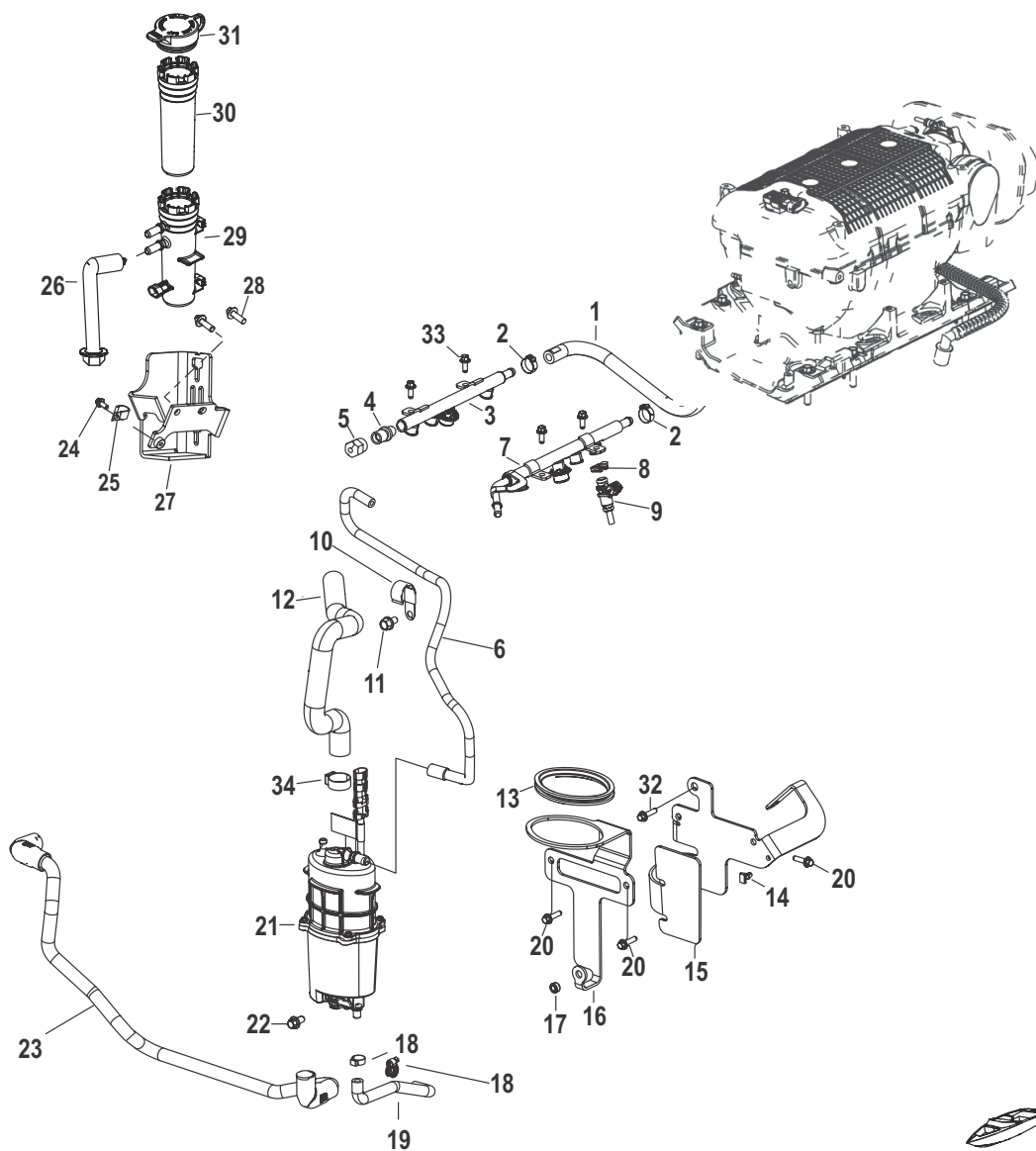
Front Cover and Circulating Pump

Ref #	Part Class	Part Number	Description	Comments	Qty	Note
1	0000	8M0095441	BRACKET Steering Pump		1	
2	0010	88441430	SCREW (M10 x 30)		3	
3	0000	865597T	TENSIONER Belt		1	
4	0010	88552630	SCREW (M8 x 30)		2	
5	0010	4010820	SCREW (M10 x 20) Hex Flange - Stainless Steel		1	
6	0000	865777	PULLEY		1	
7	0010	8M0108016	SCREW (M8 x 1.25-16)		4	
8	0016	8M0086354	STUD (M8 x 1.25)		1	[1]
9	0010	4009560	SCREW		3	[1]
10	0027	8M0082419	GASKET		2	[1]
11	0046	8M0095436	PUMP ASSEMBLY Circulating		1	[1]
12	0010	8M2021674	SCREW (.437-20 x 2.50)		1	
13	0010	8M0108016	SCREW (M8 x 1.25-16)		3	
14	0000	8M0095438	PULLEY		1	
15	0013	39131	LOCKWASHER (.437)		1	
16	0012	8M0082947	WASHER		1	
17	0000	8M0095437	HARMONIC BALANCER		1	[1]
18	0010	4010618	SCREW (M6 x 18) Stainless Steel		1	[1]
198	0000	8M0095945	SENSOR Crankshaft Position		1	[1]
20	0010	8M0106030	SCREW (M6 x 1-30)		6	
21	0000	8M0095944	COVER ASSEMBLY Timing		1	[1]
22	0026	8M6002623	SEAL Front		1	
23	0000	8M0095943	RELUCTOR WHEEL		1	[1]
-	0000	8M0095942	TIMING CHAIN SET		1	[1]
24		NSS	NOT SOLD SEPARATE TIMING CHAIN		1	[1]
25		NSS	NOT SOLD SEPARATE Camshaft Gear		1	[1]
26		NSS	NOT SOLD SEPARATE Crankshaft Gear		1	[1]
27	0010	8M0081450	SCREW (.312-18 x 1.34)		3	[1]
28	0027	8M0069696	GASKET		1	[1]
29	0057	8M0087881	BELT	Alpha RWC	1	
29	0057	8M0074767	BELT	Bravo RWC	1	
29	0057	8M0088876	BELT	FWC	1	
30	0000	8M0095458	PULLEY	RWC	1	
30	0000	8M0095461	PULLEY	FWC	1	

PART NOTES:

[1] - Component of Longblock Assembly [8M0095517]

Fuel Supply Module and Rail

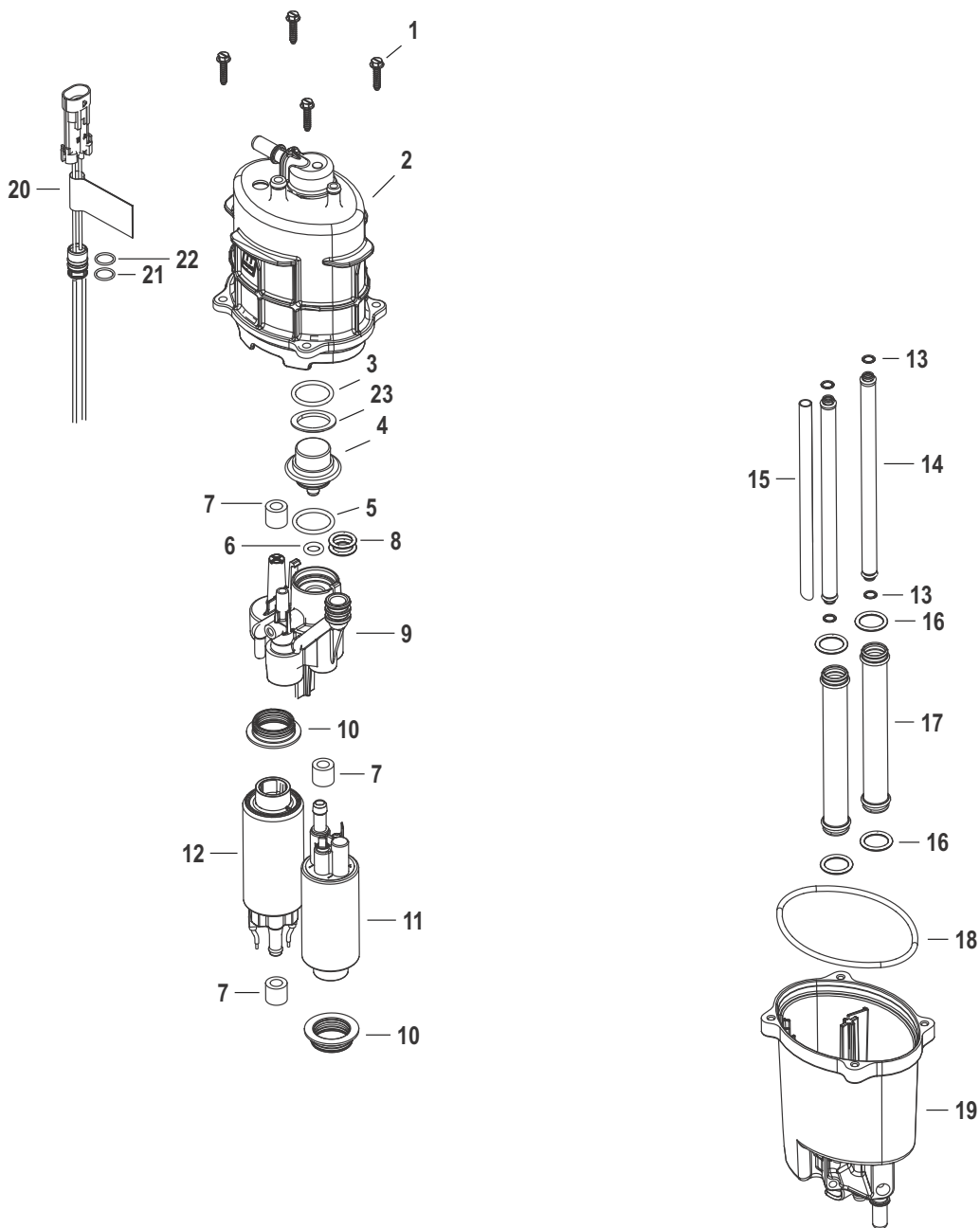


65119

Fuel Supply Module and Rail

Ref #	Part Class	Part Number	Description	Comments	Qty	Note
1	0032	8M0085007	HOSE Balance		1	
2	0054	8M6002226	CLAMP		2	
3	0000	8M0081279	FUEL RAIL Starboard Design I		1	
3	0000	8M0109786	FUEL RAIL KIT Starboard Design II; With Spacer		1	
NS	0023	8M0107935	SPACER Injector Orientation For Number 8 Injector	[2A505293] & Below	1	
4	0021	8M0044726	VALVE ASSEMBLY		1	
5	0019	8M0046566	CAP		1	
6	0032	8M0086334	HOSE Fuel Regulator to Induction Plenum		1	
7	0000	8M0081278	FUEL RAIL Port		1	
8	0000	8M2001570	CLIP		3	
9	0000	8M6002428	FUEL INJECTOR		6	
10	0054	97224	J CLIP		1	
11	0010	81893414	SCREW (M8 x 14)		1	
12	0032	8M0086328	HOSE Fuel Supply Module to Fuel Rail		1	
13	0000	8M0037209	GROMMET FSM Retainer		1	
14	0054	879962	CLIP		1	
15	0000	8M0095470	BRACKET		1	
16	0000	8M0086453	BRACKET		1	
17	0012	65567	WASHER (.265 x .750 x .048) Stainless Steel		1	
18	0054	815504105	CLAMP Worm Gear (11-18 mm)		2	
19	0032	8M0087404	HOSE Fuel Module to Water Strainer		1	
20	0010	88552616	SCREW (M8 x 16)		3	
21	0000	8M0057676	FUEL SUPPLY MODULE Dual Pump		1	
22	0010	88552525	SCREW (M6 x 25 MM) Stainless Steel		1	
23	0032	8M0043463	LINE ASSEMBLY Fuel Filter to Fuel Module		1	
24	0010	88552514	SCREW (M6 x 14 MM) Stainless Steel		1	
25	0054	633001	CLAMP		1	
26	0032	8M0088717	HOSE ASSEMBLY To Fuel Tank		1	
27	0000	8M0059425	BRACKET		1	
28	0010	4010725	SCREW (M8 x 25)		2	
29	0035	8M0062950	FILTER ASSEMBLY		1	
30	0035	8M0060041	FILTER Fuel		1	
31	0019	8M0086839	CAP		1	
32	0010	8M0083541	SCREW (M10 x 16)		1	
33	0010	88552516	SCREW (M6 x 16 MM) Stainless Steel		4	
34	0054	815504244	CLAMP Worm Gear		2	

Fuel Supply Module



48372

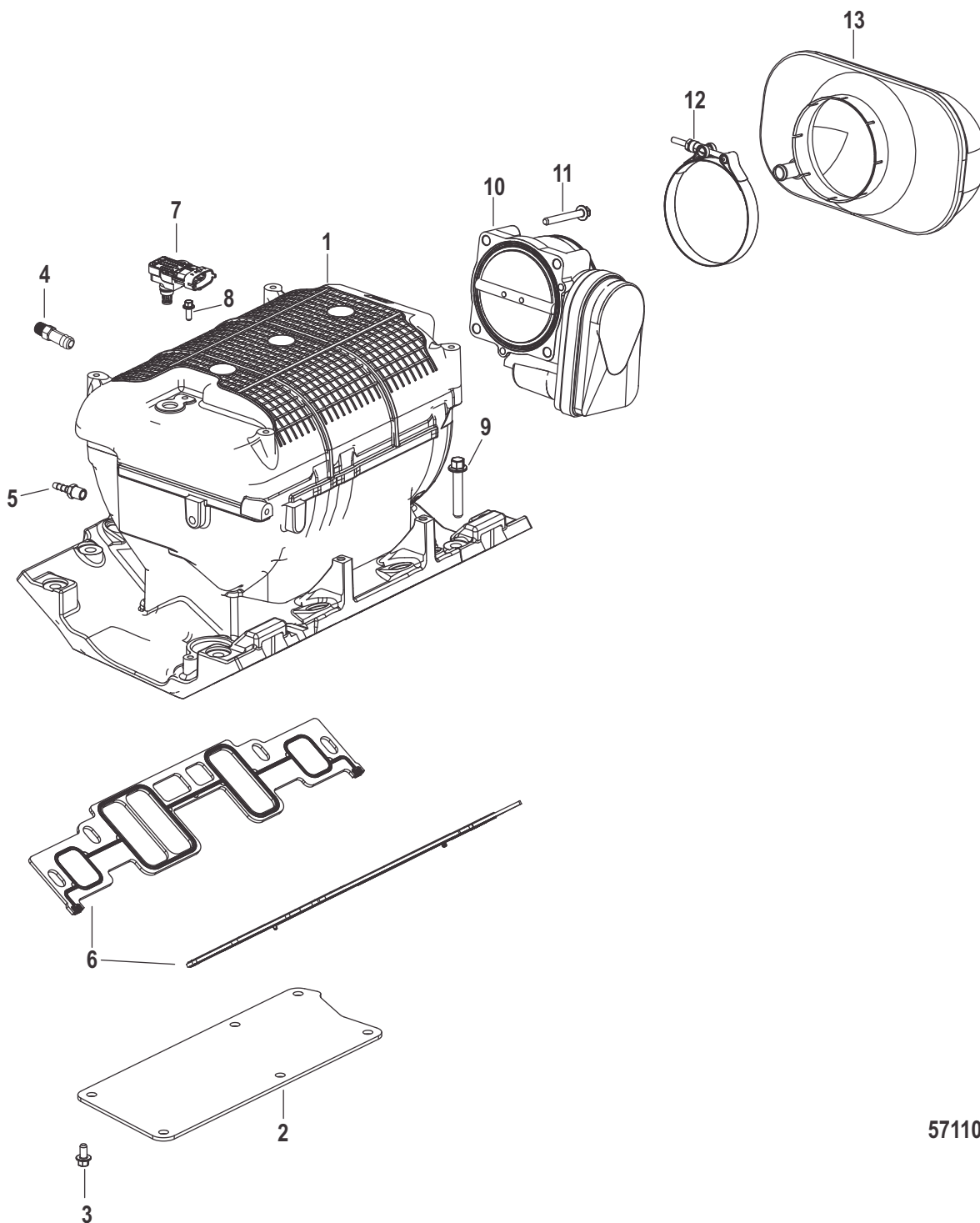
Fuel Supply Module

Ref #	Part Class	Part Number	Description	Comments	Qty	Note
-	0000	8M0057676	FUEL SUPPLY MODULE Dual Pump		1	
1	0010	8M0053756	SCREW Plastite W/ HX WSR HD		4	
2	0000	8M0053726	FSM TOP HOUSING		1	
3		NSS	NOT SOLD SEPARATE O-Ring		1	[1]
4	0000	8M0053749	REGULATOR ASSEMBLY		1	
5		NSS	NOT SOLD SEPARATE O-Ring		1	[1]
6		NSS	NOT SOLD SEPARATE O-Ring		1	[1]
7		NSS	NOT SOLD SEPARATE Seal		3	[1]
8		NSS	NOT SOLD SEPARATE O-Ring		2	[1]
9	0000	8M0053727	FSM CAP	[2A458410] & Below	1	
9	0036	8M0130877	FSM CAP	[2A458411] & Up	1	
10		NSS	NOT SOLD SEPARATE Seal		2	[1]
11	0000	8M0062771	PUMP ASSY Low Pressure		1	
12	0000	8M0062770	PUMP ASSY High Pressure		1	
13		NSS	NOT SOLD SEPARATE O-Ring		4	[1]
14	0032	8M0053735	TUBE Fuel		2	
15	0032	8M0053755	TUBE Suction		1	
16		NSS	NOT SOLD SEPARATE O-Ring		4	[1]
17	0032	8M0053734	TUBE Water		2	
18		NSS	NOT SOLD SEPARATE Seal		1	[1]
19	0000	8M0053725	FSM BOTTOM HOUSING	[2A458410] & Below	1	
19	0000	8M0130878	FSM BOTTOM HOUSING	[2A458411] & Up	1	
20	0084	8M6001398	ELECTRICAL HARNESS ASSEMBLY		1	
21		NSS	NOT SOLD SEPARATE O-Ring		1	[1]
22		NSS	NOT SOLD SEPARATE O-Ring		1	[1]
23		NSS	NOT SOLD SEPARATE Spacer		1	
-	0000	8M0057679	FSM SEAL KIT	[2A458410] & Below	1	
-	0000	8M0133370	FSM SEAL KIT	[2A458411] & Up	1	

PART NOTES:

[1] - Component of Fuel Module Seal Kit [8M0057679]

Intake Manifold Assembly



57110

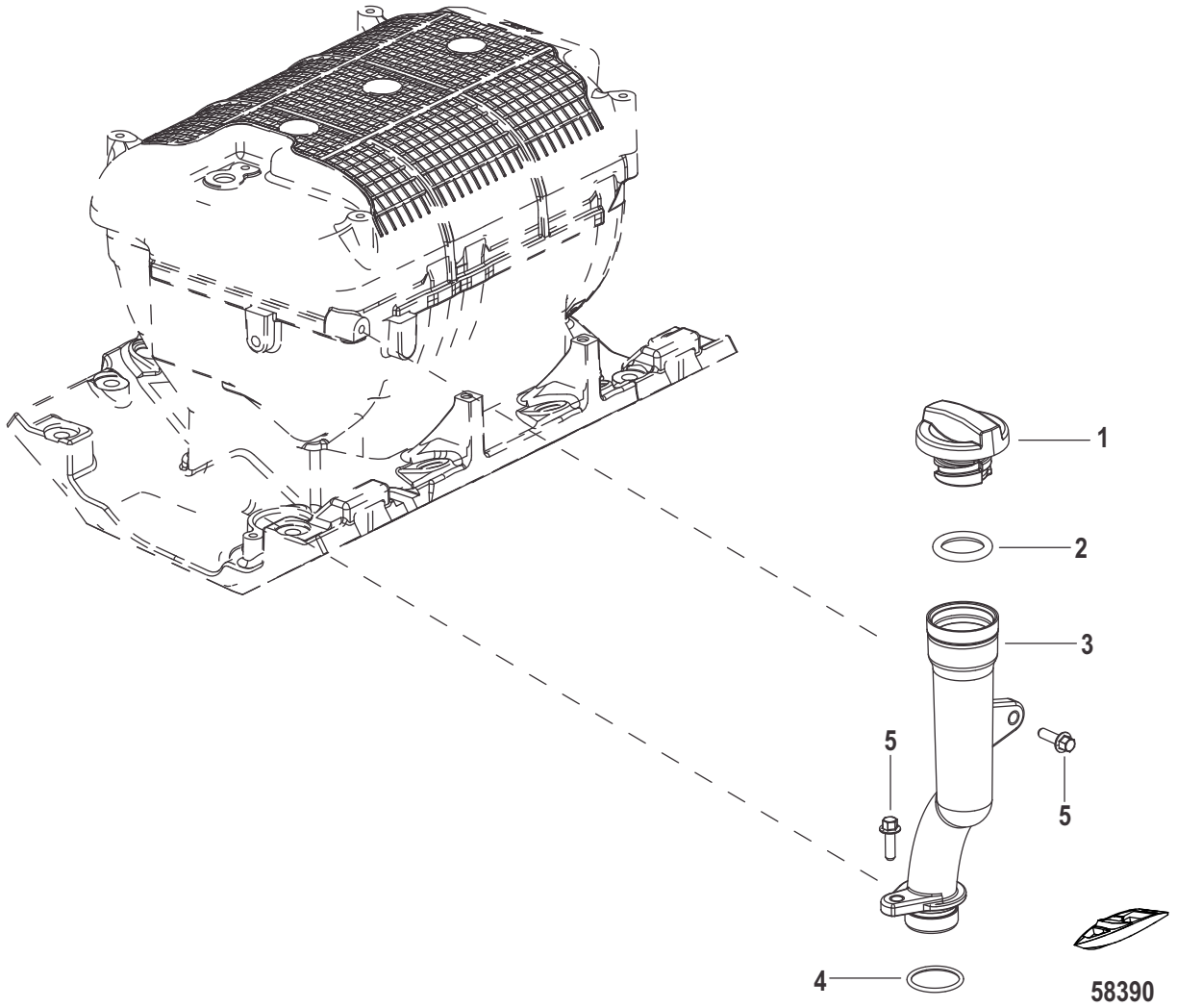
Intake Manifold Assembly

Ref #	Part Class	Part Number	Description	Comments	Qty	Note
1	0000	8M0096924	MANIFOLD ASSEMBLY Intake		1	
2		NSS	NOT SOLD SEPARATE Shield		1	
3	0010	88552512	SCREW (M6 x 12 MM) Stainless Steel		6	
4	0022	897722	FITTING Straight Crankcase Vent Valve (PCV)		1	
5	0022	859092	FITTING To Fuel Regulator		1	
6	0027	8M0078533	GASKET		2	[1]
7	0000	8M6002029	SENSOR Intake Manifold Temperature/Pressure Temperature / Manifold Pressure		1	
8	0010	88552516	SCREW (M6 x 16 MM) Stainless Steel		1	
9	0010	88552645	SCREW (M8X45)		8	
10	0000	8M0046460	THROTTLE BODY ASSEMBLY		1	
11	0010	88552550	SCREW (M6 x 50 MM) Stainless Steel		4	
12	0054	863393	CLAMP	Design I	1	
12	0054	8M0103048	CLAMP	Design II	1	
13	0000	8M0045238	FLAME ARRESTOR Metal Flange	Design I	1	
13	0098	8M0109788	FLAME ARRESTOR KIT Rubber Flange	Design II	1	

PART NOTES:

[1] - Component of Longblock Assembly [8M0095517]

Oil Fill Tube



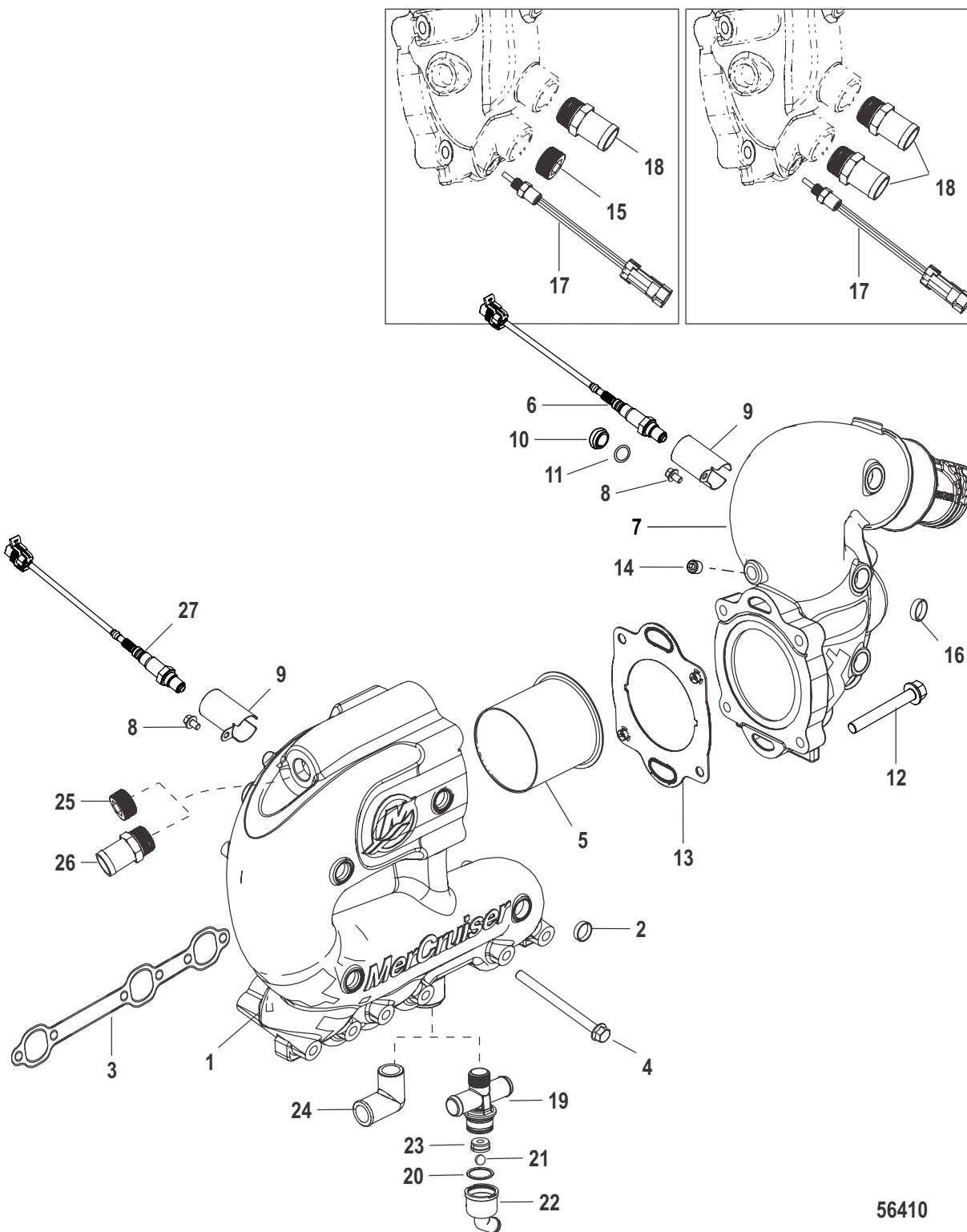
Cat.# 90-8M0095754

Oil Fill Tube

Ref #	Part Class	Part Number	Description	Comments	Qty	Note
1	0036	8M0095073	CAP Oil		1	
2	0025	8M0043174	O-RING		1	
3	0032	8M0075305	TUBE Oil		1	
4	0025	8M0044601	O-RING		1	
5	0010	88552520	SCREW (M6 x 20 MM) Stainless Steel		2	

Oil Fill Tube

Exhaust Manifold and Elbow



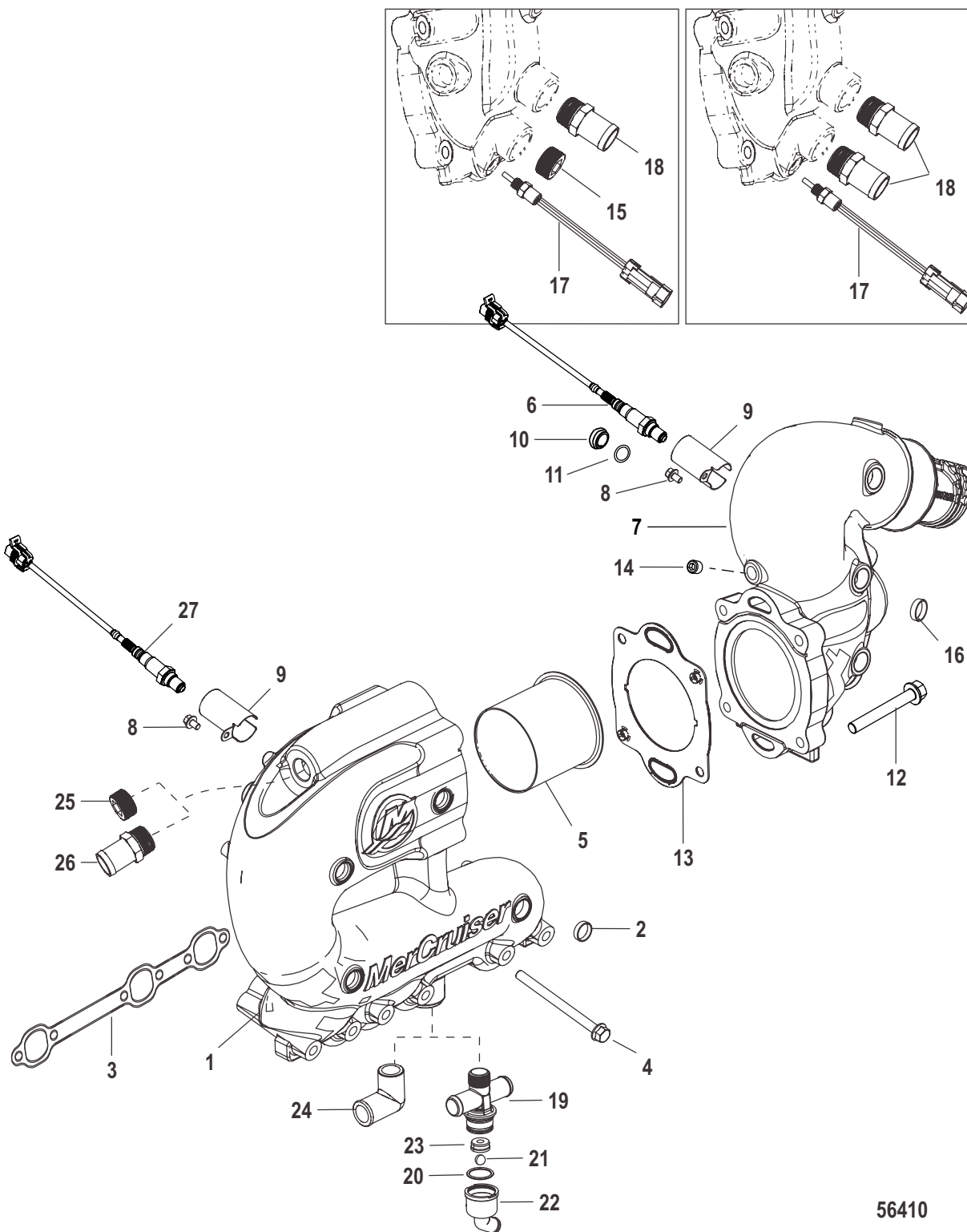
56410

Exhaust Manifold and Elbow

Ref #	Part Class	Part Number	Description	Comments	Qty	Note
1	0000	8M0095466	MANIFOLD ASSEMBLY Exhaust Port		1	
1	0000	8M0095467	MANIFOLD ASSEMBLY Exhaust Starboard		1	
2	0019	864689	PLUG Expansion		10	
3	0027	99757	GASKET		1	[1]
4	0000	8M2000229	SCREW (.375-16 x 4.75)		6	
5	0000	8M0095469	CATALYST	EC	2	
6	0000	8M2003959	SENSOR Oxygen	EC	2	
7	0000	8M0095694	ELBOW ASSEMBLY No Rise Port		1	
7	0000	8M0095693	ELBOW ASSEMBLY No Rise Starboard		1	
7	0000	8M0094680	ELBOW ASSEMBLY 2 Inch Riser (Includes Port & Starboard)		1	
7	0000	8M0094681	ELBOW ASSEMBLY 4 Inch Riser (Includes Port & Starboard)		1	
7	0000	8M0094682	ELBOW ASSEMBLY 6 Inch Riser (Includes Port & Starboard)		1	
8	0010	8M2007128	SCREW (1/4-20) Hex Flange Included in 6 Inch Elbow Assembly	6 Inch EC	4	
8	0010	8M2007128	SCREW (1/4-20) Hex Flange Included in 6 Inch Elbow Assembly	6 Inch Non-EC	2	
9	0000	8M2004597	BRACKET Cover Included in 6 Inch Elbow Assembly	6 Inch EC	4	
9	0000	8M2004597	BRACKET Cover Included in 6 Inch Elbow Assembly	6 Inch Non-EC	2	
10	0019	8M0082363	PLUG Included in Elbow Assemblies	Non-EC	2	
11	0012	8M0097283	WASHER Copper Included in Elbow Assemblies	Non-EC	2	
12	0010	668631	SCREW (.375-16 x 2.500)		4	
13	0027	8M2004606	GASKET	(Closed Cooling)	2	
13	0027	8M2004414	GASKET Included in Elbow Assemblies	(Standard Cooling)	2	
14	0022	73379	PLUG (.250-18) Included in Elbow Assemblies		AR	
15	0022	428611	FITTING Pipe - Brass (.750-14) Included in Elbow Assemblies	(Standard Cooling)	2	
16	0019	864689	PLUG Expansion Included in Elbow Assemblies		4	
17	0000	885342002	SENSOR ASSEMBLY		2	
18	0022	866725	FITTING Straight (.750-14)	(Standard Cooling)	1	
18	0022	866725	FITTING Straight (.750-14)	(Closed Cooling)	2	
19	0000	8M0095953	FITTING ASSEMBLY	(Standard Cooling)	2	
20	0025	864701	O-RING (1.112 x .103)	(Standard Cooling)	1	
21	0030	863129	BALL	(Standard Cooling)	1	
22	0000	862994T	FITTING	(Standard Cooling)	1	
23	0000	8M0059679	BALL SEAT Rubber	(Standard Cooling)	2	
24	0022	36305T	ELBOW	(Closed Cooling)	1	
25	0022	428611	FITTING Pipe - Brass (.750-14)	(Standard Cooling)	1	
26	0022	866725	FITTING Straight (.750-14)	(Closed Cooling)	1	

Exhaust Manifold and Elbow

Exhaust Manifold and Elbow



56410

Cat.# 90-8M0095754

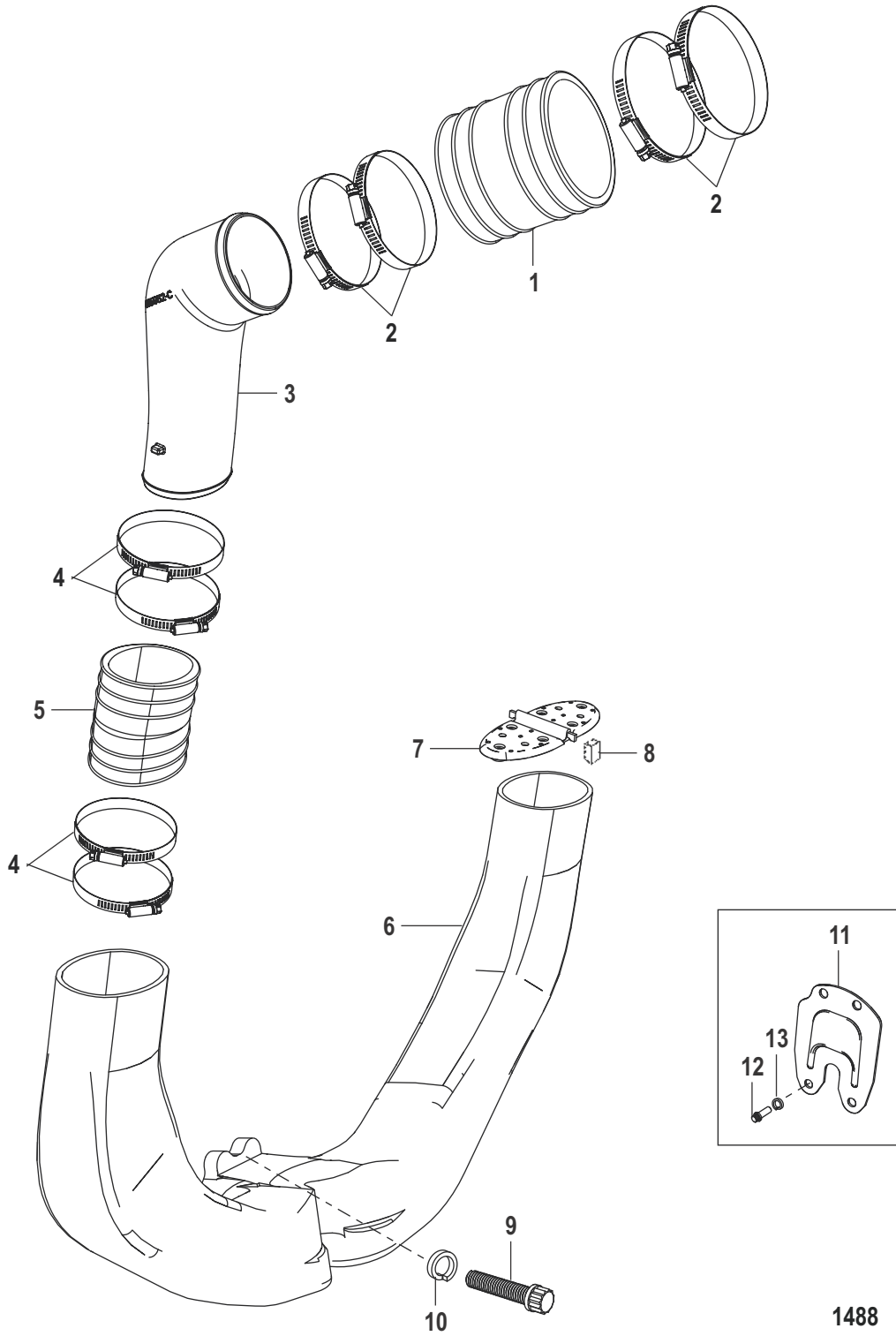
Exhaust Manifold and Elbow

Ref #	Part Class	Part Number	Description	Comments	Qty	Note
27	0000	8M0095468	SENSOR O2		2	

PART NOTES:

[1] - Component of Longblock Assembly [8M0095517]

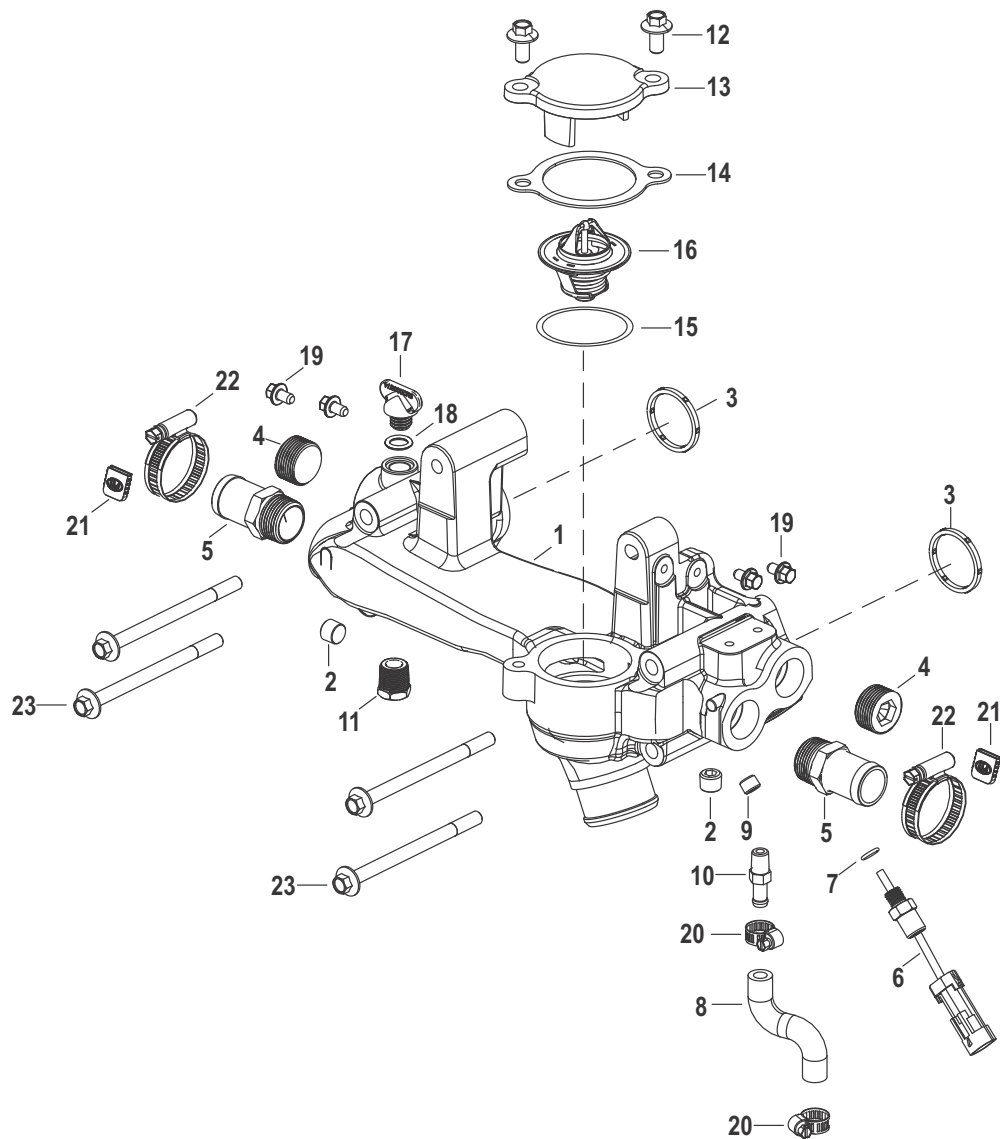
Exhaust System Components



Exhaust System Components

Ref #	Part Class	Part Number	Description	Comments	Qty	Note
1	0032	44348001	TUBE Exhaust		2	
2	0054	815504272	CLAMP Worm Gear		8	
3	0000	879288A34	ELBOW KIT Intermediate	Non Riser	1	
3	0000	879288A35	ELBOW KIT Intermediate	2 Inch Riser	1	
3	0000	879288A36	ELBOW KIT Intermediate	4 Inch Riser	1	
3	0000	879288A37	ELBOW KIT Intermediate	6 Inch Riser	1	
3	0000	879288A38	ELBOW KIT Intermediate	8 Inch Riser	1	
4	0054	815504272	CLAMP Worm Gear		8	
5	0032	14358001	TUBE Exhaust		2	
6	0000	807130A4	PIPE Exhaust		1	
7	0000	807166A1	SHUTTER ASSEMBLY Water		2	
8	0025	807167	GROMMET		4	
9	0010	58640	SCREW (.375-16 x 1.25)		4	
10	0013	41471	LOCKWASHER (.375)		4	
11	0000	861776A2	PLATE KIT	Through Transom Exhaust	1	
12	0010	98794	SCREW (.375-16 x 1.00)	Through Transom Exhaust	4	
13	0013	41471	LOCKWASHER (.375)	Through Transom Exhaust	4	

Raw Water Cooling Crossover Assembly



57112

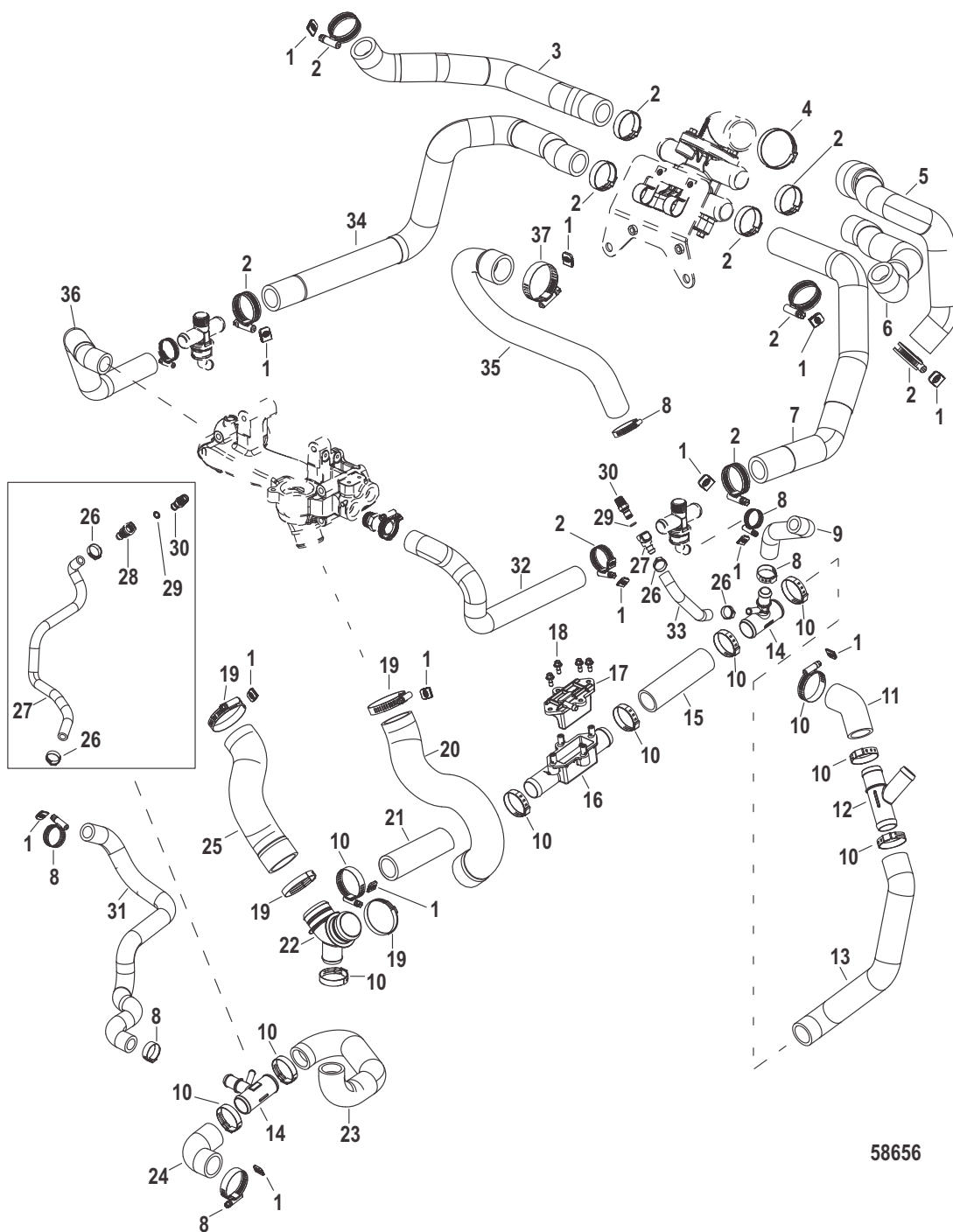
Raw Water Cooling Crossover Assembly

Ref #	Part Class	Part Number	Description	Comments	Qty	Note
1	0000	8M0099057	CROSSOVER		1	
2	0022	73379	PLUG (.250-18)		2	
3	0000	8M0081836	SEAL		2	[1]
4	0022	428611	FITTING Pipe - Brass (.750-14)		2	
5	0022	866725	FITTING Straight (.750-14)		2	
6	0000	885342002	SENSOR ASSEMBLY		1	
7	0025	896699	O-RING (1.78 mm x .08 mm)		1	
8	0032	8M0090430	HOSE FSM to Crossover		1	
9	0022	390721	PLUG Pipe (.125-27) Brass		1	
10	0022	8M0085864	FITTING		1	
11	0022	32803	PLUG Pipe (.375-18) Brass		1	
12	0010	4009516	SCREW (M8 x 16)		2	
13	0000	8M0073879	CAP		1	
14	0027	8M0079167	GASKET		1	
15	0027	806871	GASKET		1	
16	0000	8M0089715	THERMOSTAT 60 Degree C (140 Degree F)		1	[2]
17	0022	806608A02	PLUG ASSEMBLY (.500-13) Blue		1	[3]
18	0025	26802	O-RING (.424 x .103)		1	
19	0010	892454010	SCREW (M6 x 10) RWC Cover Bracket		4	
20	0054	815504105	CLAMP Worm Gear (11-18 mm)		2	
21	0019	8M0074364	CAP		AR	
22	0054	815504216	CLAMP Worm Gear (1.56 Diameter)		4	
23	0010	40095110	SCREW (M8 x 110)		4	

PART NOTES:

- [1] - Component of Longblock Assembly [8M0095517]
- [2] - Alternate part numbers:
807252Q 4QS Kit
807252T 4MPP Kit
8M0089715Service Part
- [3] - Alternate part numbers:
806608A02Service Part
806608Q01QS

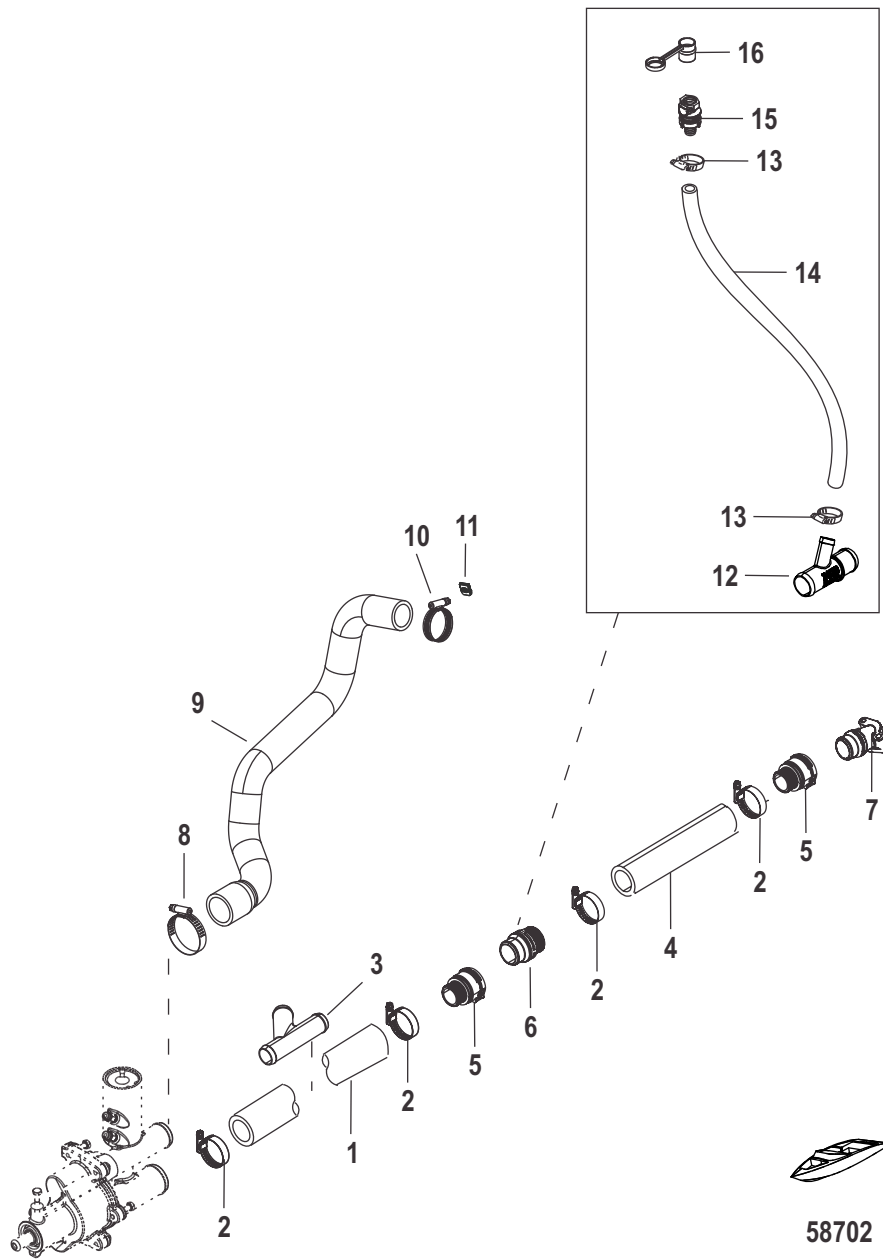
Raw Water Cooling Cooling Hoses



Raw Water Cooling Cooling Hoses

Ref #	Part Class	Part Number	Description	Comments	Qty	Note
1	0019	8M0074364	CAP		AR	
2	0054	815504216	CLAMP Worm Gear (1.56 Diameter)		9	
3	0032	8M2023900	HOSE Connects to Upper Poppet Valve		1	
4	0054	815504226	CLAMP Worm Gear		1	
5	0032	8M2023916	HOSE Y Fitting to Poppet Valve Cover		1	
6	0032	8M0078725	HOSE Connects to Upper Poppet Valve		1	
7	0032	8M0078557	HOSE Connects to Lower Poppet Valve		1	
8	0054	815504212	CLAMP Worm Gear		5	
9	0032	8M0086961	HOSE Port Drain to Drain Fitting		1	
10	0054	815504222	CLAMP Worm Gear (1.98 Diameter)		12	
11	0032	8M0082286	HOSE Steering Cooler to Y Fitting		1	
12	0022	8M2003728	Y-FITTING		1	
13	0032	8M0086924	HOSE Y Fitting to Drain Fitting		1	
14	0022	8M0088893	FITTING Drain		2	
15	0032	8M0087261	HOSE Drain Fitting to Strainer		1	
16	0000	8M0095457	STRAINER ASSEMBLY		1	
17	0000	8M0097249	COVER		1	
18	0010	8M0086279	SCREW (M6)		4	
19	0054	815504232	CLAMP Worm Gear (2.50 Diameter)		4	
20	0032	8M2023913	HOSE Y Fitting to Crossover		1	
21	0032	8M0087038	HOSE Strainer to Distribution Housing		1	
22	0022	8M0107045	FITTING Y		1	
23	0032	8M2023909	HOSE Drain Fitting to Y Fitting		1	
24	0032	8M0080675	HOSE Distribution Housing to Drain Fitting		1	
25	0032	8M2023914	HOSE Y Fitting to Circ. Pump		1	
26	0054	815504210	CLAMP Worm Gear		4	
27	0032	8M0080748	HOSE Starboard Drain Fitting		1	
28	0022	862225	FITTING		2	
29	0025	627021	O-RING (.301 x .070)		2	
30	0022	862603	FITTING		2	
31	0032	8M0090099	HOSE Exhaust Manifold to Drain Fitting		1	
32	0032	8M0088868	HOSE Crossover to Port Manifold		1	
33	0032	8M0086911	HOSE Drain Fitting		1	
34	0032	8M2023901	HOSE Connects to Poppet Valve; Stbd. Bottom		1	
35	0032	807661	HOSE Transom to Cooler	Alpha Only	1	
36	0032	8M0078393	HOSE		1	
37	0054	815504220	CLAMP Worm Gear		1	

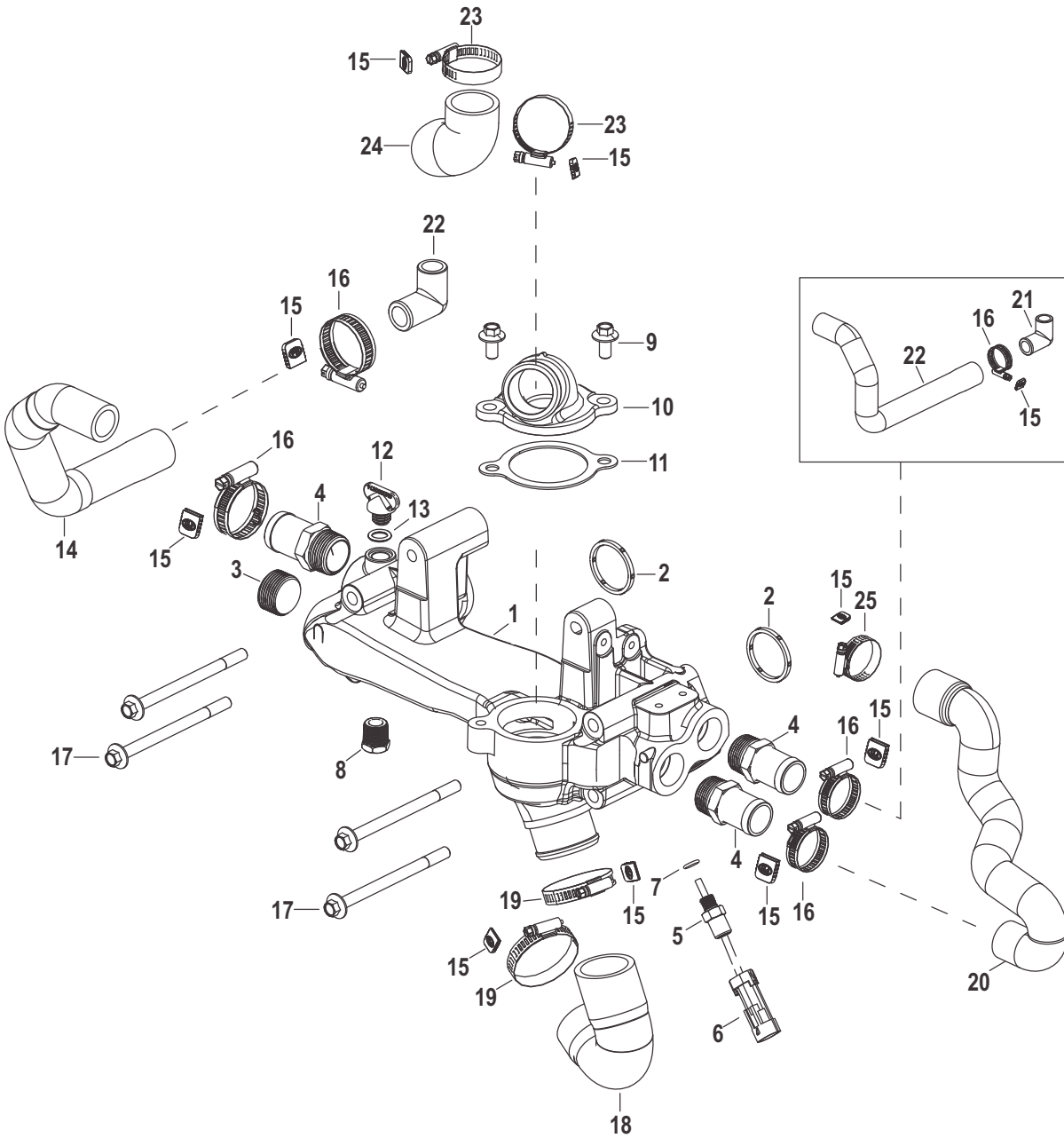
Raw Water Cooling (Bravo) Sea Pump Hoses



Raw Water Cooling (Bravo) Sea Pump Hoses

Ref #	Part Class	Part Number	Description	Comments	Qty	Note
1	0032	8M0062666	HOSE (96.00 Inches Bulk) Cut to Length		1	
2	0054	815504222	CLAMP Worm Gear (1.98 Diameter)		AR	
3	0022	864727	FITTING Y, (3) 1-1/4 In. OD Hose Barbs	Dual Drain Applications	AR	
4	0032	8M0062666	HOSE (96.00 Inches Bulk) Cut to Length		1	
5	0022	865324	QUICK CONNECT		2	
6	0022	865362	QUICK CONNECT Replace if Adding Flush Kit		1	
7	0000	865470	HOUSING Inlet		1	
8	0054	815504228	CLAMP Worm Gear		1	
9	0032	8M2023904	HOSE		1	
10	0054	815504220	CLAMP Worm Gear		1	
11	0019	8M0074364	CAP		1	
NS	0000	8M0089505	FLUSH KIT		AR	
12	0022	8M4501756	FITTING		1	
13	0054	815504212	CLAMP Worm Gear		2	
14	0032	8M0062635	HOSE 42.00 inch Bulk		1	
15	0022	861406	SOCKET		1	
16	0000	861427	CAP		1	

Fresh Water Cooling Crossover Assembly



56857

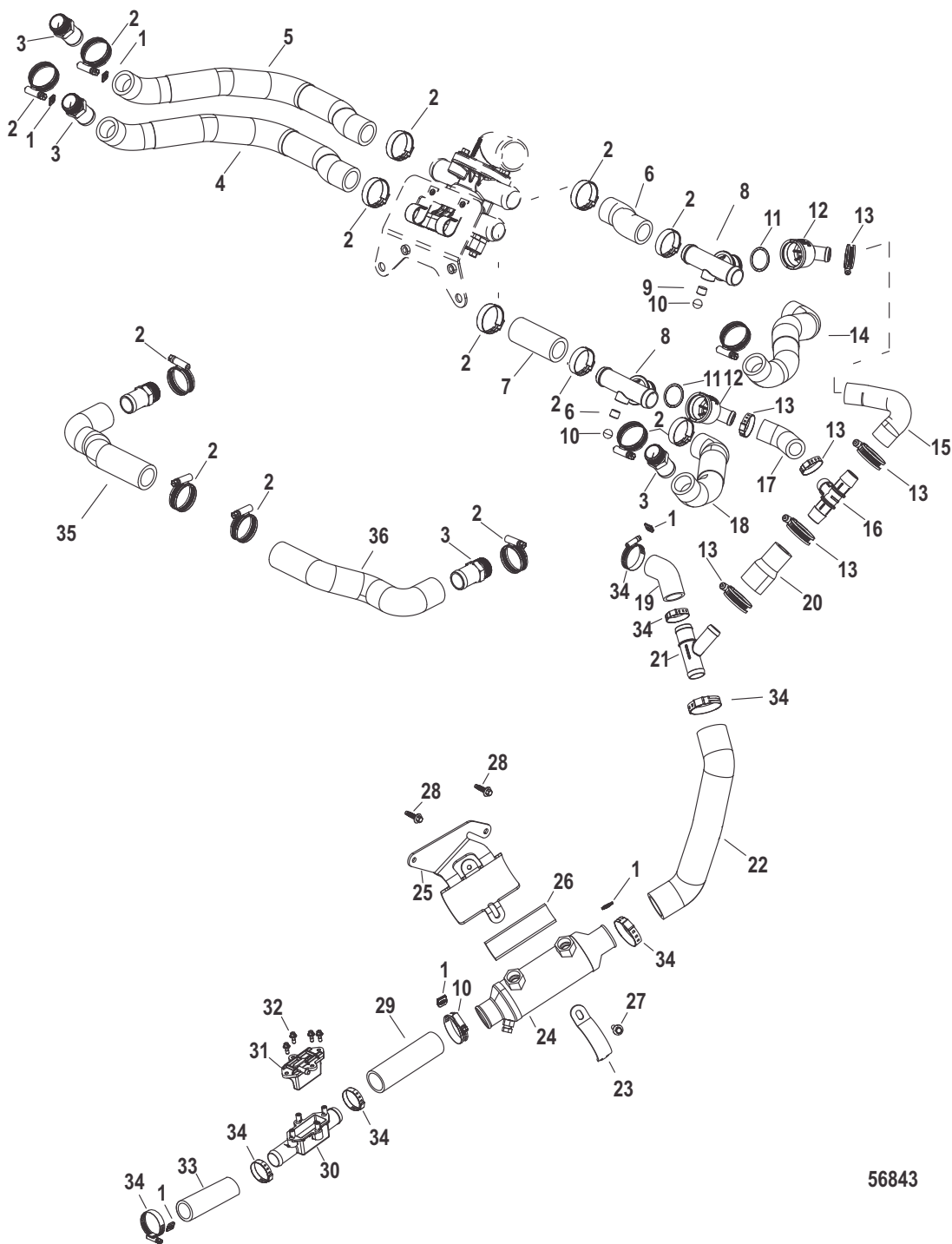
Fresh Water Cooling Crossover Assembly

Ref #	Part Class	Part Number	Description	Comments	Qty	Note
1	0000	8M0099058	CROSSOVER		1	
2	0000	8M0081836	SEAL		2	[1]
3	0022	428611	FITTING Pipe - Brass (.750-14)		1	
4	0022	866725	FITTING Straight (.750-14)		3	
5	0000	885342002	SENSOR ASSEMBLY		1	
6	0000	830796A1	CONNECTOR ASSEMBLY		1	
7	0025	896699	O-RING (1.78 mm x .08 mm)		1	
8	0022	32803	PLUG Pipe (.375-18) Brass		1	
9	0010	4009516	SCREW (M8 x 16)		2	
10	0000	8M0078403	CAP		1	
11	0027	8M0079167	GASKET		1	
12	0022	806608A02	PLUG ASSEMBLY (.500-13) Blue		1	[2]
13	0025	26802	O-RING (.424 x .103)		1	
14	0032	8M0073900	HOSE Crossover to Starboard Manifold		1	
15	0019	8M0074364	CAP		AR	
16	0054	815504216	CLAMP Worm Gear (1.56 Diameter)		5	
17	0010	40095110	SCREW (M8 x 110)		4	
18	0032	8M2023903	HOSE Crossover to Circulating Pump		1	
19	0054	815504232	CLAMP Worm Gear (2.50 Diameter)		2	
20	0032	8M0088736	HOSE Crossover to Thermostat Housing		1	
21	0022	36305T	ELBOW		2	
22	0032	8M0094253	HOSE Crossover to Port Manifold		1	
23	0054	815504224	CLAMP Worm Gear		2	
24	0032	8M0078831	HOSE Exchanger to Crossover		1	
25	0054	815504222	CLAMP Worm Gear (1.98 Diameter)		1	

PART NOTES:

- [1] - Component of Longblock Assembly [8M0095517]
 [2] - Alternate part numbers:
 806608A02Service Part
 806608Q01QS

Fresh Water Cooling Cooling Hoses

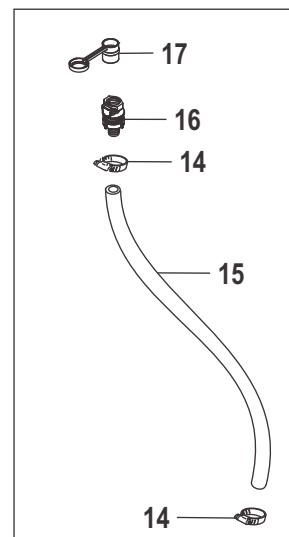
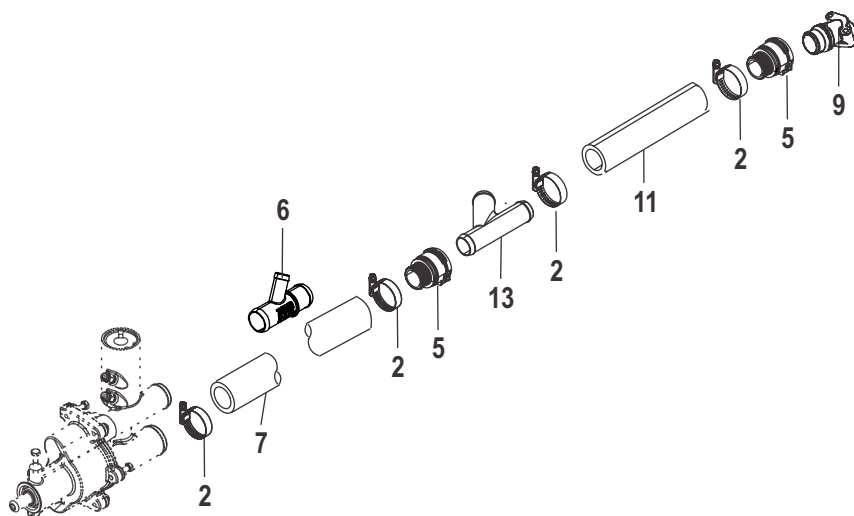
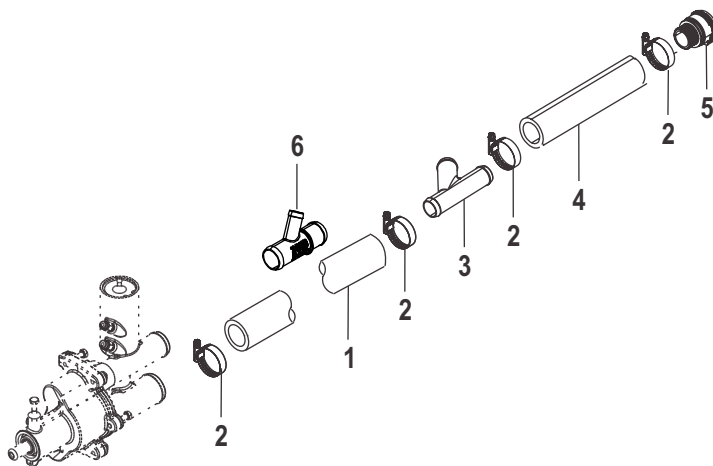


56843

Fresh Water Cooling Cooling Hoses

Ref #	Part Class	Part Number	Description	Comments	Qty	Note
1	0019	8M0074364	CAP		AR	
2	0054	815504216	CLAMP Worm Gear (1.56 Diameter)		12	
3	0022	866725	FITTING Straight (.750-14)		4	
4	0032	8M2023905	HOSE Poppet to Elbow, Stbd. Bottom		1	
5	0032	8M2023900	HOSE Poppet to Elbow, Stbd. Top		1	
6	0032	8M0082181	HOSE		1	
7	0032	8M2023906	HOSE Poppet to T Drain		1	
8	0022	8M2012295	FITTING ASSEMBLY		2	
9	0022	73379	PLUG (.250-18)		2	
10	0030	863129	BALL		2	
11	0025	864701	O-RING (1.112 x .103)		2	
12	0000	862994T	FITTING		2	
13	0054	815504212	CLAMP Worm Gear		4	
14	0032	8M0082180	HOSE T Fitting to Elbow		1	
15	0032	8M2023910	HOSE Upper Drain Fitting to T Fitting		1	
16	0022	863464	FITTING		1	
17	0032	8M2023911	HOSE Low Drain to T Fitting		1	
18	0032	8M2023907	HOSE T Drain to Lower Elbow		1	
19	0032	8M0082286	HOSE Steering Cooler to Y Fitting		1	
20	0032	8M2023912	HOSE Y Fitting to T Fitting		1	
21	0022	8M2003728	Y-FITTING		1	
22	0032	8M0089000	HOSE Y Fitting to Cooler		1	
23		NSS	NOT SOLD SEPARATE Clamp		1	
24	0000	806426T	COOLER Engine Oil		1	
25	0000	8M0095480	BRACKET		1	
26	0000	772234	PAD		1	
27	0010	4010625	SCREW (M6 x 25) Stainless Steel		1	
28	0010	8M0082256	SCREW (M6 x 1)		2	
29	0032	8M0089002	HOSE Cooler to Strainer		1	
30	0000	8M0095457	STRAINER ASSEMBLY		1	
31	0000	8M0097249	COVER		1	
32	0010	8M0086279	SCREW (M6)		4	
33	0032	8M0087038	HOSE		1	
34	0054	815504222	CLAMP Worm Gear (1.98 Diameter)		7	
35	0032	8M0078827	HOSE Manifold to Heat Exchanger		1	
36	0032	8M0095758	HOSE Manifold to Heat Exchanger		1	

Fresh Water Cooling Sea Pump Hoses

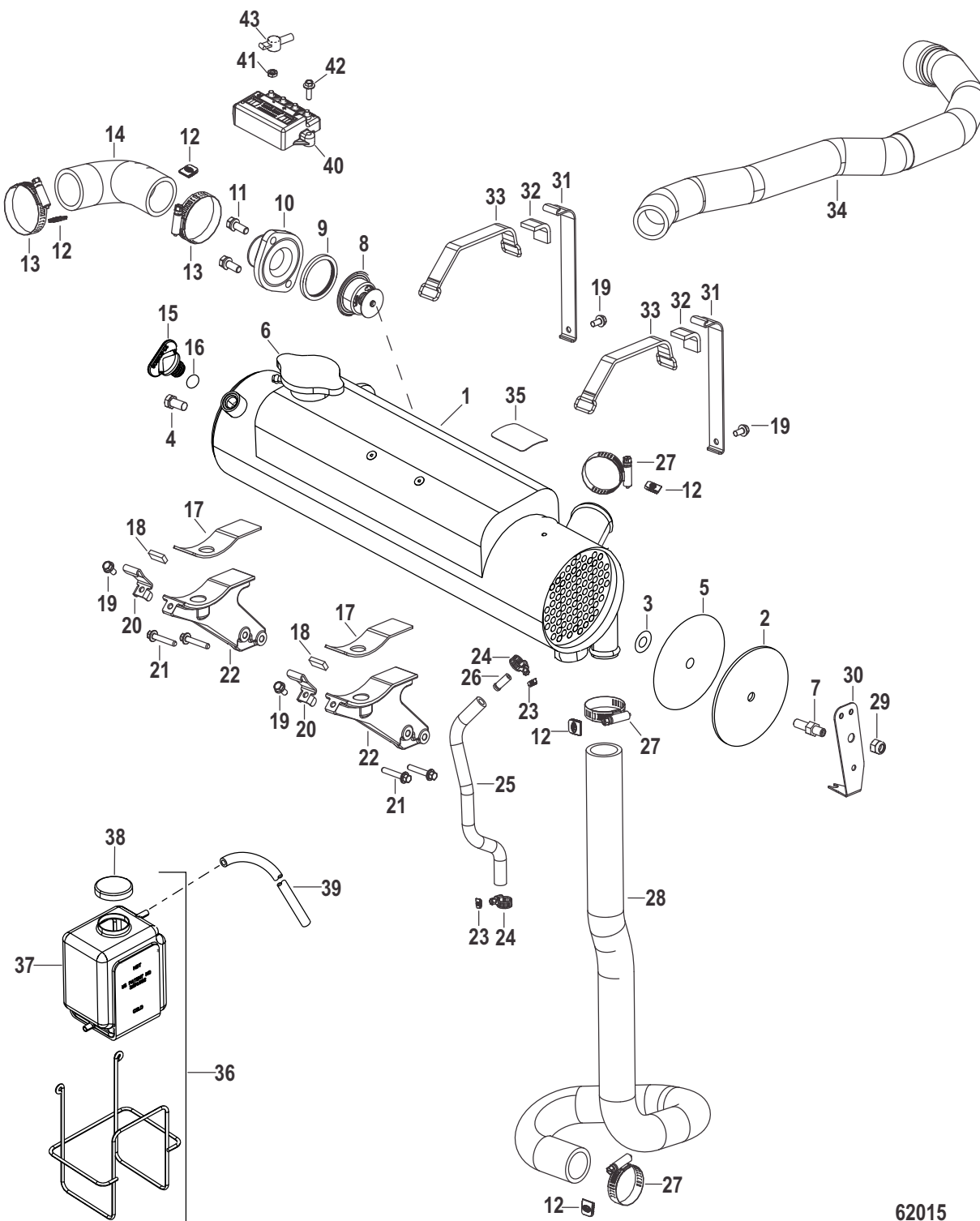


46025

Fresh Water Cooling Sea Pump Hoses

Ref #	Part Class	Part Number	Description	Comments	Qty	Note
1	0032	8M0062666	HOSE (96.00 Inches Bulk) (Cut to Length)	Alpha	1	
1	0032	8M0062653	HOSE (4 Inches)	Bravo	1	
2	0054	815504222	CLAMP Worm Gear (1.98 Diameter)		AR	
3	0022	864727	FITTING Y, (3) 1-1/4 In. OD Hose Barbs	Bravo	1	
4	0032	8M0062666	HOSE (96.00 Inches Bulk) (Cut to Length)	Bravo	1	
5	0022	865324	QUICK CONNECT	Bravo	1	
6	0022	864727	FITTING Y, (3) 1-1/4 In. OD Hose Barbs	(If Required)	1	
7	0032	8M0062666	HOSE (96.00 Inches Bulk) (Cut to Length)	Seacore	1	
8	0054	815504222	CLAMP Worm Gear (1.98 Diameter)		AR	
9	0000	865470	HOUSING Inlet	Seacore	1	
10	0022	8M4501756	FITTING	Seacore	1	
11	0054	8M2001502	CLAMP	Seacore	2	
12	0032	1743534	HOSE (14.5 Inches)	Seacore	1	
13	0022	8M4501756	FITTING	Seacore	1	
14	0054	815504212	CLAMP Worm Gear	Seacore	2	
15	0032	8M0088963	HOSE 26 Inch	Seacore	1	
16	0022	861406	SOCKET	Seacore	1	
17	0000	861427	CAP	Seacore	1	

Fresh Water Cooling Heat Exchanger



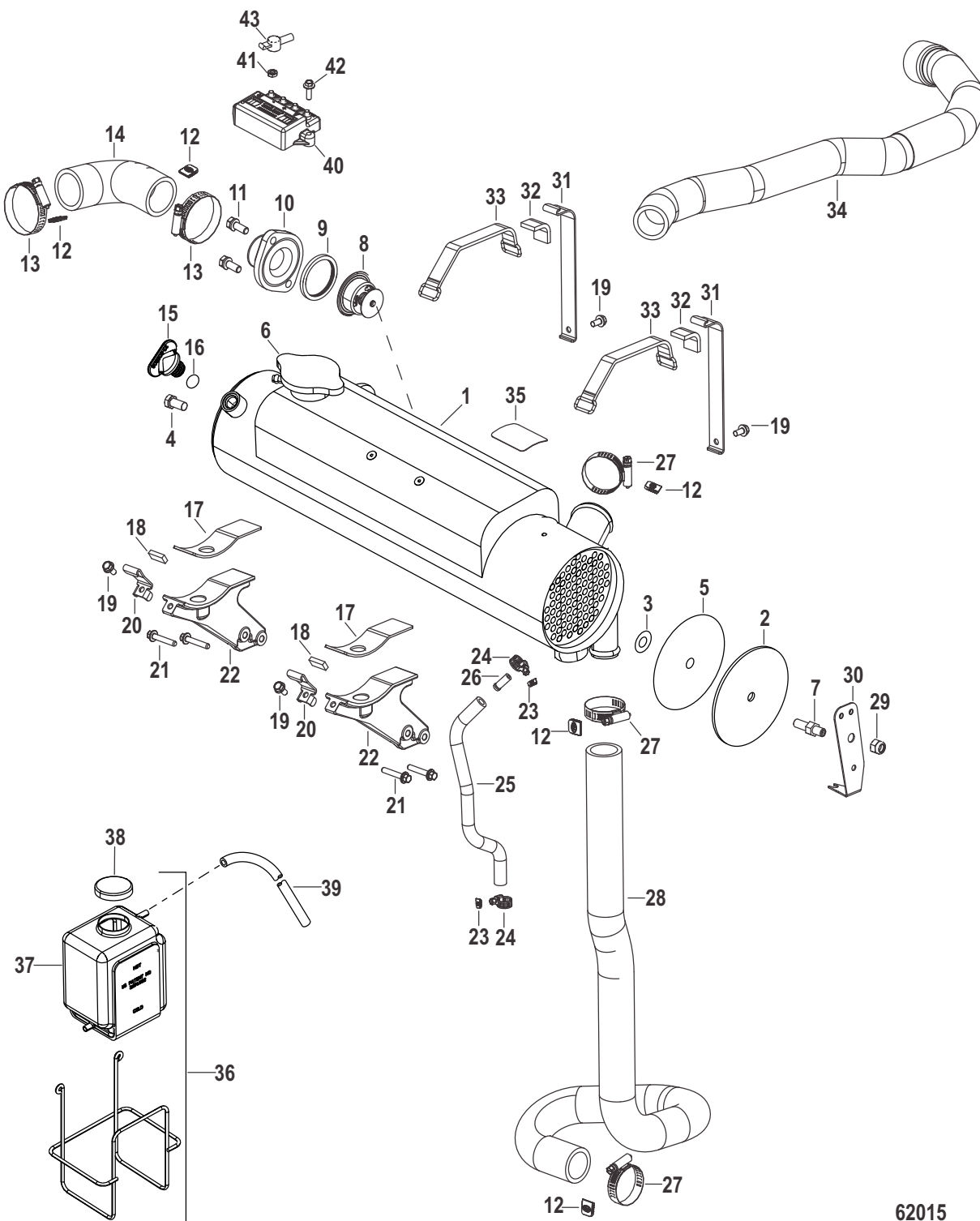
62015

Fresh Water Cooling Heat Exchanger

Ref #	Part Class	Part Number	Description	Comments	Qty	Note
1	0000	8M0095463	HEAT EXCHANGER ASSEMBLY		1	
2	0000	864708	COVER End		2	
3	0025	8M0039163	O-RING (3/8 x 1/8)		2	
4	0010	94247	SCREW (.375-16 x .750) Stainless Steel		1	
5	0025	8M0084884	SEAL		2	
6	0036	8148791	CAP Pressure		1	
7	0016	8M0029252	STUD		1	
8	0000	864493	THERMOSTAT 77°C (170°F)		1	
9	0025	8071341	SEAL		1	
10	0000	807075A1	COVER		1	
11	0010	29198	SCREW AND LOCKWASHER (.312-18 x .875)		2	
12	0019	8M0074364	CAP		AR	
13	0054	815504228	CLAMP Worm Gear		2	
14	0032	8M0088806	HOSE Thermostat to Exchanger		1	
15	0022	806608A02	PLUG ASSEMBLY (.500-13) Blue		1	[1]
16	0025	26802	O-RING (.424 x .103)		1	
17	0000	8M0095988	PAD Heat Exchanger		2	
18	0000	8M0096073	PAD Heat Exchanger Bracket		2	
19	0010	85593912	SCREW (M6 x 12)		4	
20	0000	8M0095427	BRACKET Heat Exchanger		2	
21	0010	892454035	BOLT (M6 x 36)	[2A457069] & Below	4	
21	0010	8M0108390	SCREW M8 Hex Flange	[2A457070] & Up	4	
22	0000	8M0095460	BRACKET	[2A457069] & Below	2	
22	0000	8M0109531	BRACKET	[2A457070] & Up	2	
23	0019	8M0074363	CAP		2	
24	0054	815504105	CLAMP Worm Gear (11-18 mm)		2	
25	0032	8M0086594	HOSE Fuel Module to Heat Exchanger		1	
26	0022	8M0085864	FITTING		1	
27	0054	815504222	CLAMP Worm Gear (1.98 Diameter)		3	
28	0032	8M0085910	HOSE Distribution Housing to Heat Exchanger		1	
29	0011	82670812	NUT (.375-16)		1	
30	0000	8M0081037	BRACKET Air Actuator		1	
31	0000	8M0095398	BRACKET Heat Exchanger		2	
32	0000	8M0096078	PAD Heat Exchanger Bracket		2	
33	0000	808023	STRAP Retaining		2	
34	0032	8M0094644	HOSE Exchanger to Poppet Valve		1	
35	0037	8M0095464	DECAL SET		1	
36	0000	71587A10	RECOVERY KIT Coolant		1	
37	0000	71587A11	BOTTLE Plastic		1	
38	0000	72058	CAP		1	
39	0032	1983389	HOSE		1	
-	0000	8M0100517	MERCATHODE CONTROLLER MerCathode		1	

Fresh Water Cooling Heat Exchanger

Fresh Water Cooling Heat Exchanger



62015

Cat.# 90-8M0095754

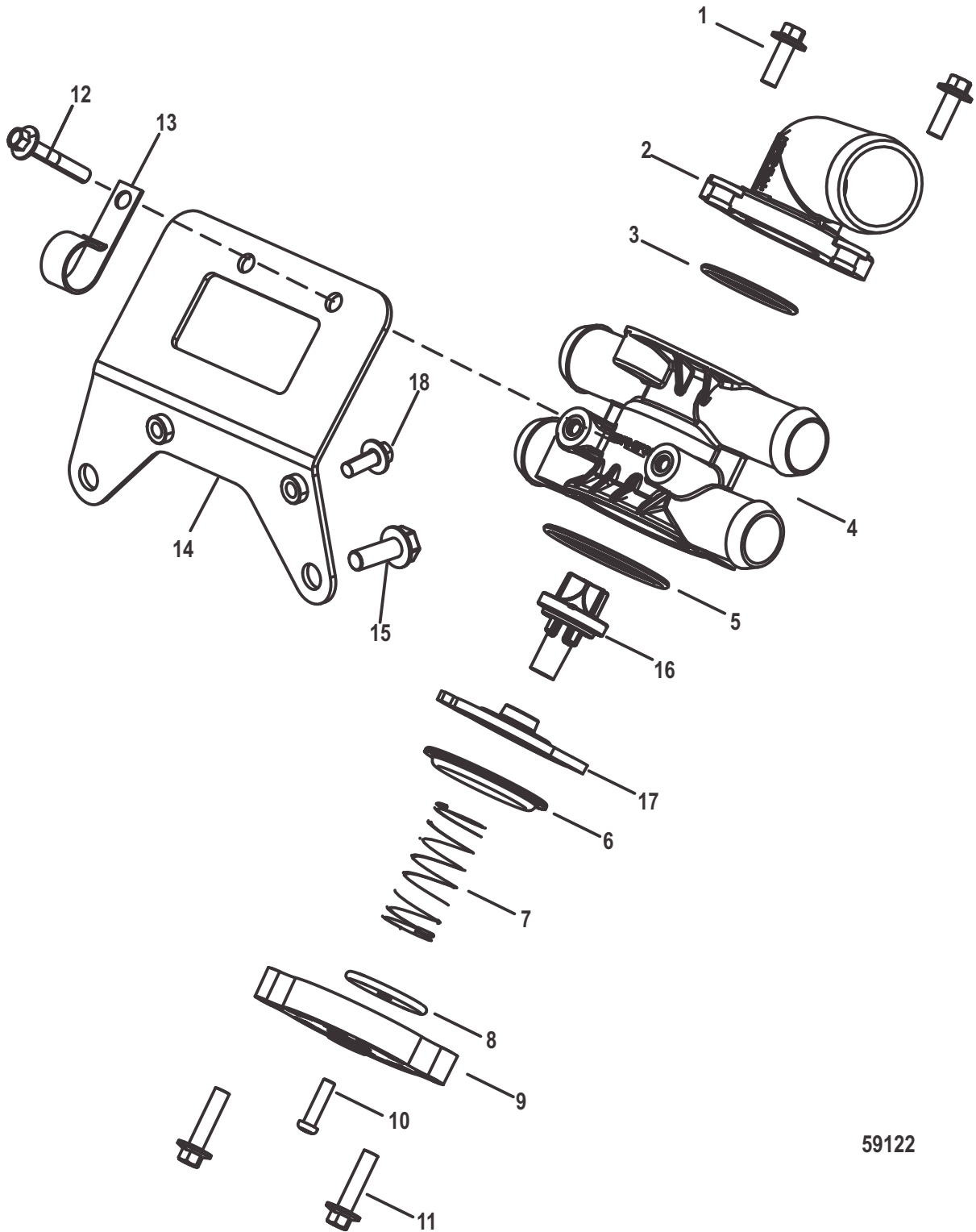
Fresh Water Cooling Heat Exchanger

Ref #	Part Class	Part Number	Description	Comments	Qty	Note
40		NSS	NOT SOLD SEPARATE Controller		1	
41	0011	68219	NUT (#10-32) Stainless Steel		4	
42	0010	82104520	SCREW (M5 x 20)		2	
43	0085	86606	BOOT Insulator - Black		4	
NS	0084	8M0096310	HARNESS Mercathode 3 Wire		1	

PART NOTES:

- [1] - Alternate part numbers:
806608A02Service Part
806608Q01QS

Poppet Valve Assemblies

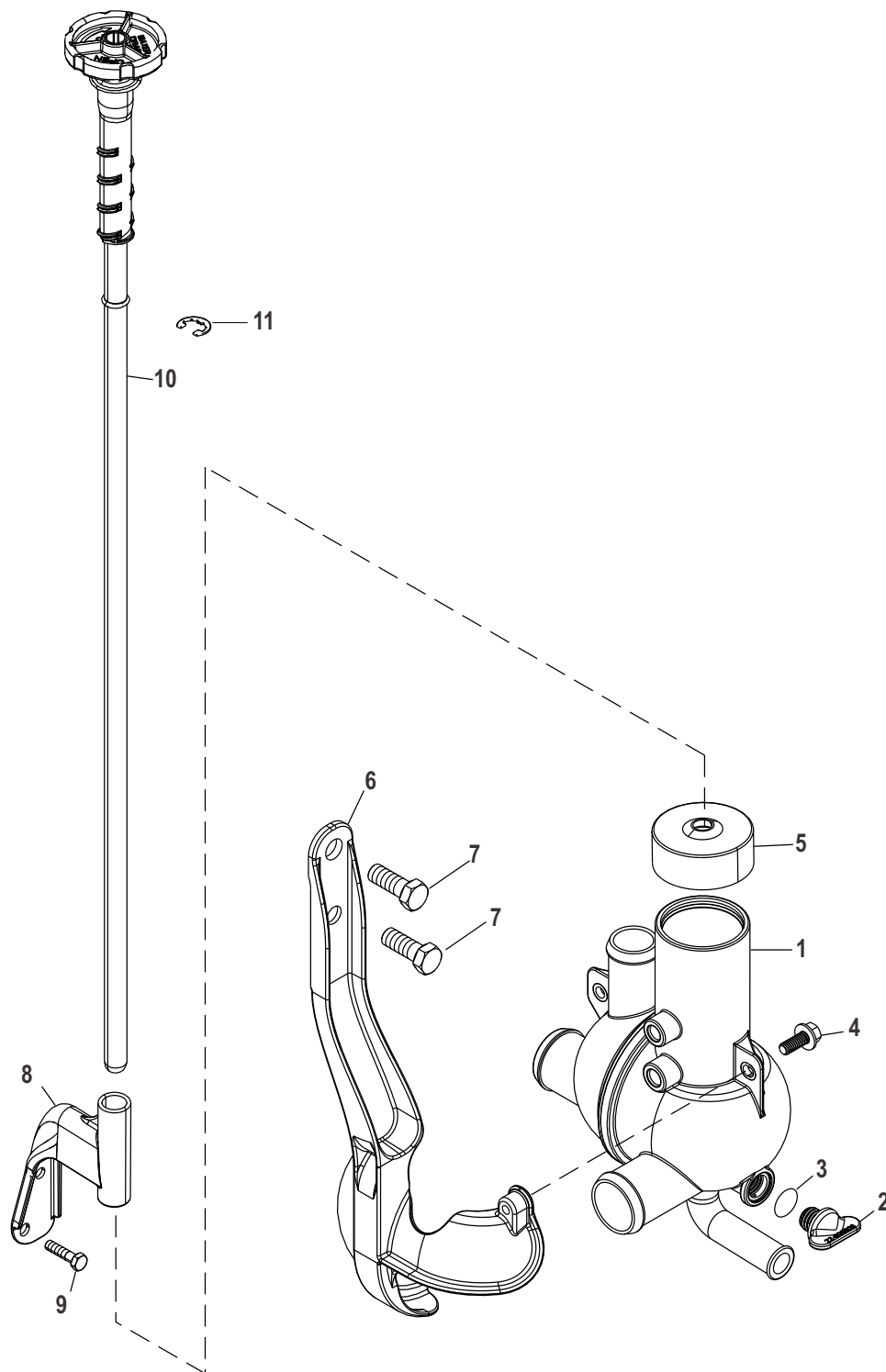


59122

Poppet Valve Assemblies

Ref #	Part Class	Part Number	Description	Comments	Qty	Note
-	0000	8M0095445	VALVE ASSEMBLY Poppet Alpha RWC		1	
-	0000	8M0095446	VALVE ASSEMBLY Poppet Bravo RWC		1	
-	0000	8M0095459	VALVE ASSEMBLY Poppet FWC		1	
1	0010	4010618	SCREW (M6 x 18) Stainless Steel		2	
2	0022	8M2020465	FITTING		1	
3	0025	45710	O-RING (1.424 x .103)		1	
4	0000	8M0032206	HOUSING Alpha RWC		1	
4	0000	8M0032643	HOUSING Bravo RWC		1	
4	0000	8M0089559	HOUSING FWC		1	
5	0025	30529	O-RING (1.925 x .103)		1	
6	0000	648771	DIAPHRAGM		1	
7	0024	90392	SPRING Alpha RWC		1	
7	0024	64878	SPRING (Black) Bravo RWC		1	
7	0024	42996	SPRING (Stainless Steel) FWC		1	
8	0012	76451	WASHER		1	
9	0000	8M0036759	COVER		1	
10	0010	69570	SCREW (#10-16 x .750)		1	
11	0010	4010625	SCREW (M6 x 25) Stainless Steel		2	
11	0010	8M0115132	SCREW (M6) SEMS		2	
12	0010	4010612	SCREW (M6 x 12) Stainless Steel		2	
13	0054	65292	J CLIP		2	
14	0000	8M0081140	BRACKET		1	
14	0000	8M0115431	BRACKET	DTS	1	
15	0010	816585	SCREW (.312-18 x .875)		2	
16	0000	888913001	POPPET		1	
17	0000	8M0091668	PLATE Relief Valve		1	
18	0010	4010612	SCREW (M6 x 12) Stainless Steel		2	

Water Distribution Housing Rod Actuated



56638

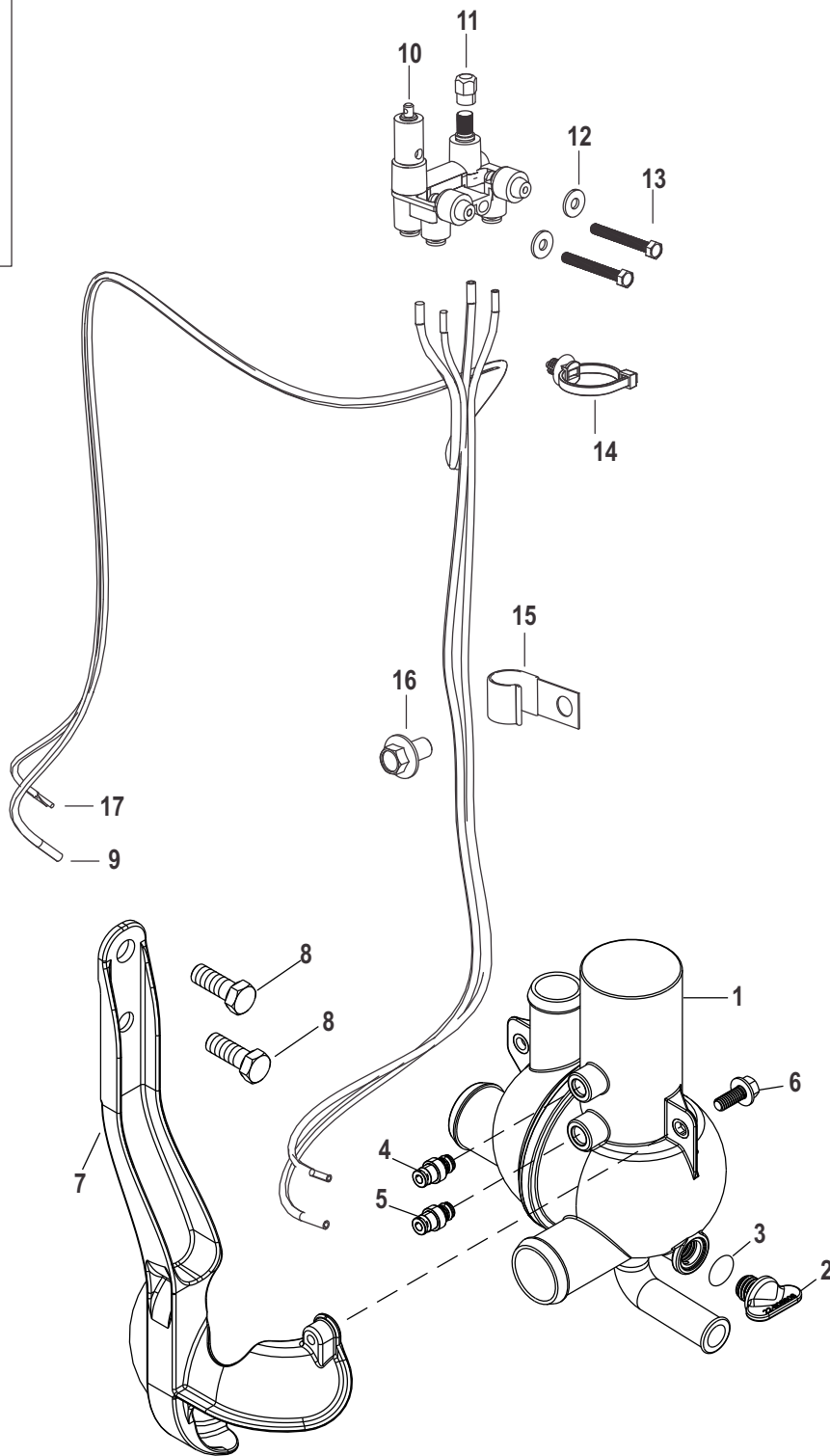
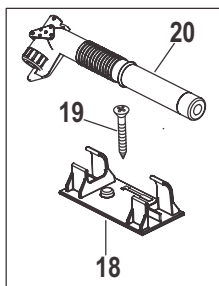
Water Distribution Housing Rod Actuated

Ref #	Part Class	Part Number	Description	Comments	Qty	Note
1	0000	8M0101224	HOUSING Water Distribution		1	
2	0022	806608A02	PLUG ASSEMBLY (.500-13) Blue		1	[1]
3	0025	26802	O-RING (.424 x .103)		1	
4	0010	8175051	SCREW (.250-20 x .625)		3	
5	0000	863839	COVER		1	
6	0000	8M0095444	BRACKET Water Distribution Housing		1	
7	0010	8M0083541	SCREW (M10 x 16) To Block		2	
8	0000	8M0079961	BRACKET Water Drain Actuator		1	
9	0010	892454010	SCREW (M6 x 10)		2	
10	0000	8M0082389	DRAIN ROD ASSEMBLY		1	
11	0053	863741	E-RING		1	

PART NOTES:

- [1] - Alternate part numbers:
806608A02Service Part
806608Q01QS

Water Distribution Housing Air Actuated Drain



61904

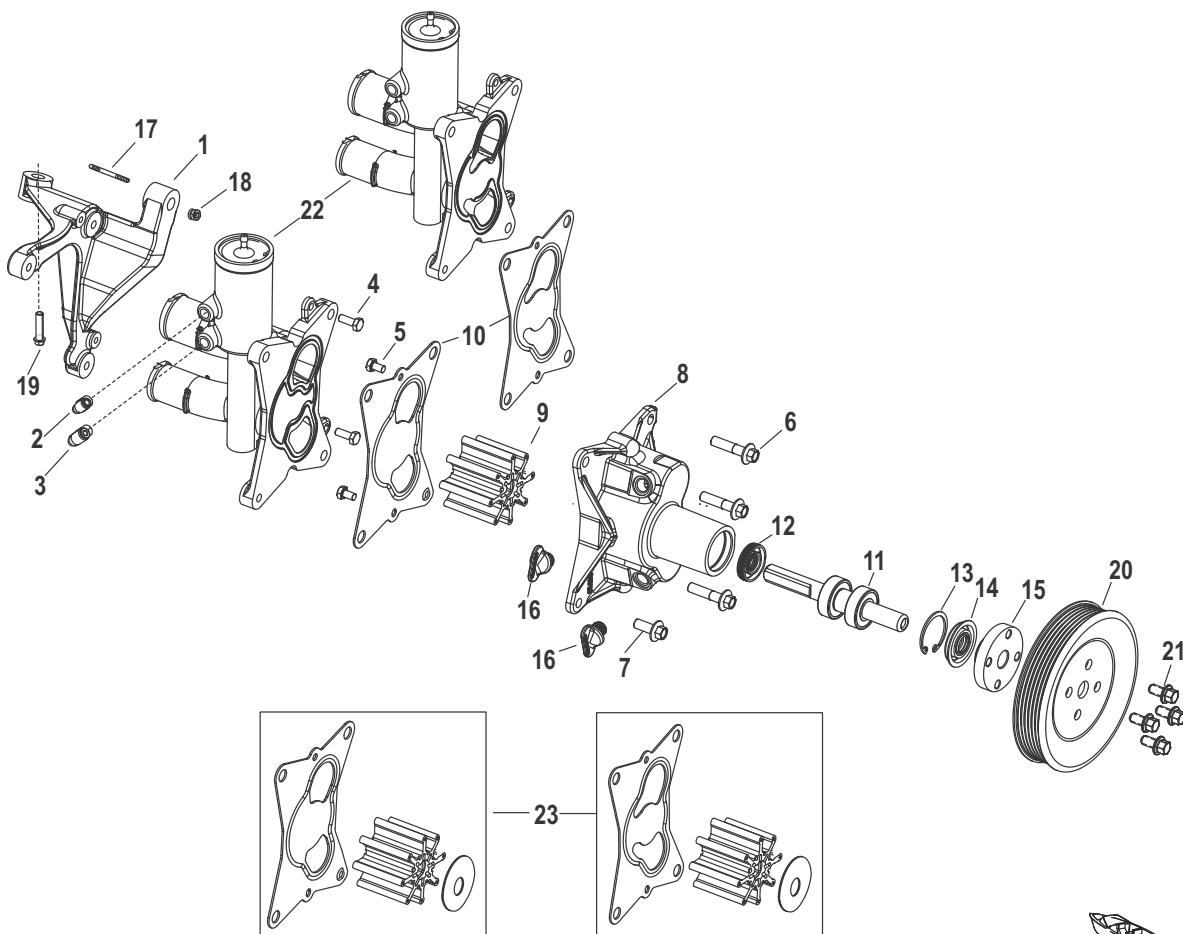
Water Distribution Housing Air Actuated Drain

Ref #	Part Class	Part Number	Description	Comments	Qty	Note
1	0000	863802T2	HOUSING Water Distribution		1	
2	0022	806608A02	PLUG ASSEMBLY (.500-13) Blue		1	[1]
3	0025	26802	O-RING (.424 x .103)		1	
4	0022	863467	FITTING Orange Air Valve		1	
5	0022	863499	FITTING Gray Air Valve		1	
6	0010	8175051	SCREW (.250-20 x .625)		3	
7	0000	8M0095444	BRACKET Water Distribution Housing		1	
8	0010	8M0083541	SCREW (M10 x 16) To Block		2	
9	0032	8M0062603	TUBE (2440 MM) Cut to Length		1	
10	0000	863053T	MANIFOLD ASSEMBLY		1	
11	0019	8M0046566	CAP		1	
12	0012	4002314	WASHER		2	
13	0010	864887	SCREW (M5)		2	
14	0054	899145	CLIP Tie Strap		1	
15	0054	78945	J CLAMP		1	
16	0010	4010816	SCREW (M10 x 16) Hex Flange - Stainless Steel		1	
17	0032	8M0077562	TUBE (2440 MM) Cut to Length		1	
18	0000	8M0046157	BRACKET Air Pump		1	
19	0010	79968	SCREW (#12-11 x .750)		2	
20	0000	863057	PUMP Air		1	

PART NOTES:

- [1] - Alternate part numbers:
806608A02Service Part
806608Q01QS

Sea Water Pump Closed Cooling and Bravo Standard Cooling



56826

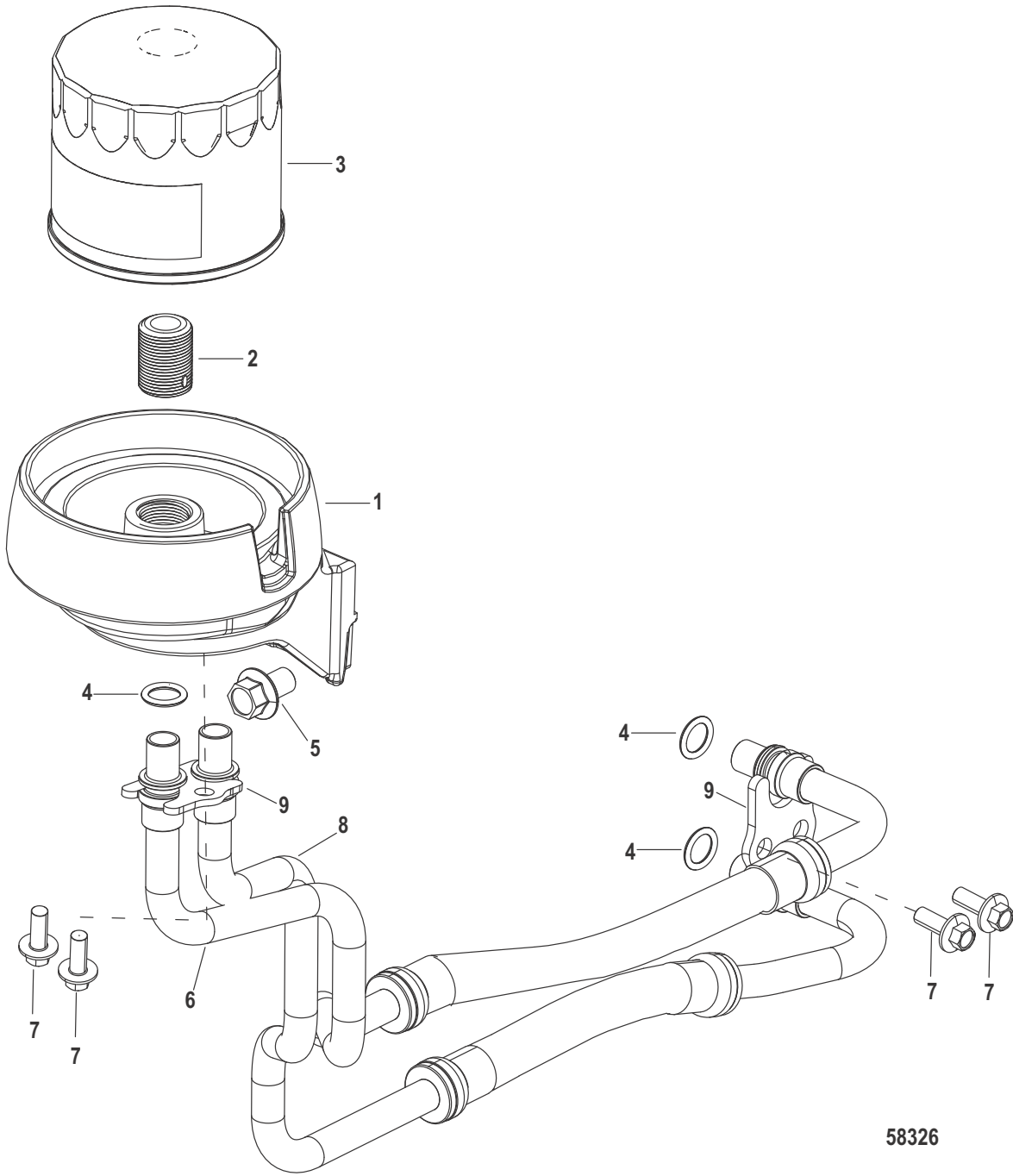
Sea Water Pump Closed Cooling and Bravo Standard Cooling

Ref #	Part Class	Part Number	Description	Comments	Qty	Note
-	0046	8M0095465	PUMP ASSEMBLY Sea Water		1	
1	0000	8M0075090	BRACKET		1	
2	0022	8M0082321	FITTING (90 Degree)		1	
3	0022	8M0082322	FITTING Orange (90 Degree)		1	
4	0010	4000328	SCREW (M6 x 16)		2	
5	0010	4000325	SCREW (M6 x 8)		2	
6	0010	4010735	SCREW (M8 x 35)		3	
7	0010	4010720	SCREW (M8 x 20)		1	
8	0000	8M0118072	IMPELLER HOUSING ASSEMBLY		1	
9	0047	862232A2	IMPELLER		1	
10	0027	8M0074880	GASKET Design I	See Service Bulletin 2016-09R1	1	
10	0027	8M0114788	PLATE Wear, Seal Design II	See Service Bulletin 2016-09R1	1	
11	0000	862235A1	DRIVESHAFT ASSEMBLY		1	
12	0026	8M2001645	SEAL		1	
13		NSS	NOT SOLD SEPARATE Snap Ring		1	
14	0026	862040	SEAL		1	
15	0000	8M0074979	HUB		1	
16	0022	806608A02	PLUG ASSEMBLY (.500-13) Blue		2	[1]
17	0016	8M0097732	STUD (M10x1.5x55)		1	
18	0011	8M0090535	NUT (M10 Flange)		1	
19	0010	892086035	SCREW (M10 x 35)		1	
20	0000	8M0074941	PULLEY		1	
21	0010	88552616	SCREW (M8 x 16)		4	
22	0000	8M0076268	COVER ASSEMBLY Sea Pump Design I	See Service Bulletin 2016-09R1	1	
22	0000	8M0122664	COVER ASSEMBLY Sea Pump Design II	See Service Bulletin 2016-09R1	1	
23	0098	8M0121939	IMPELLER KIT Heavy Duty Design I		1	
23	0098	8M0121940	IMPELLER KIT Heavy Duty Design II		1	

PART NOTES:

- [1] - Alternate part numbers:
806608A02Service Part
806608Q01QS

Remote Oil Raw Water Cooling



58326

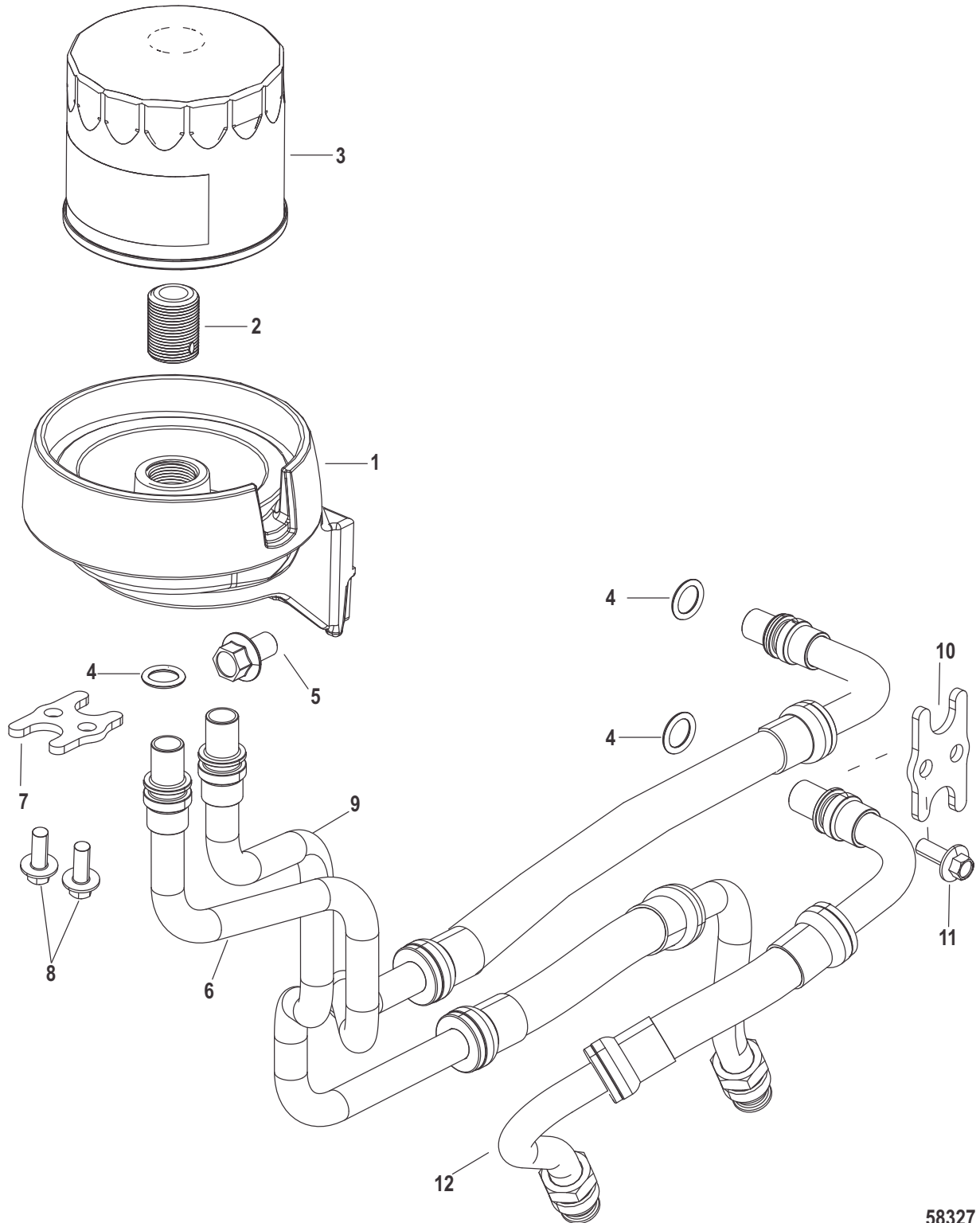
Remote Oil Raw Water Cooling

Ref #	Part Class	Part Number	Description	Comments	Qty	Note
1	0000	8M0095983	HOUSING Remote Oil Filter		1	
2	0022	863485	FITTING		1	
3	0035	866340K01	FILTER Oil - Mercury Brand		1	[1]
3	0035	866340Q03	FILTER Oil - Quicksilver Brand		AR	[1]
4	0000	8M2000565	O-RING		4	[2]
5	0010	8M0083541	SCREW (M10 x 16)		2	
6	0032	8M0091874	LINE Oil		1	
7	0010	4010612	SCREW (M6 x 12) Stainless Steel		4	
8	0032	8M0091873	LINE Oil (Brackets attached on both ends)		1	
9		NSS	NOT SOLD SEPARATE Bracket		2	

PART NOTES:

- [1] - Alternate part numbers:
 866340K01MPP
 866340Q02Service Part
 866340Q03QS
- [2] - Component of Longblock Assembly [8M0114790]

Remote Oil Fresh Water Cooling



58327

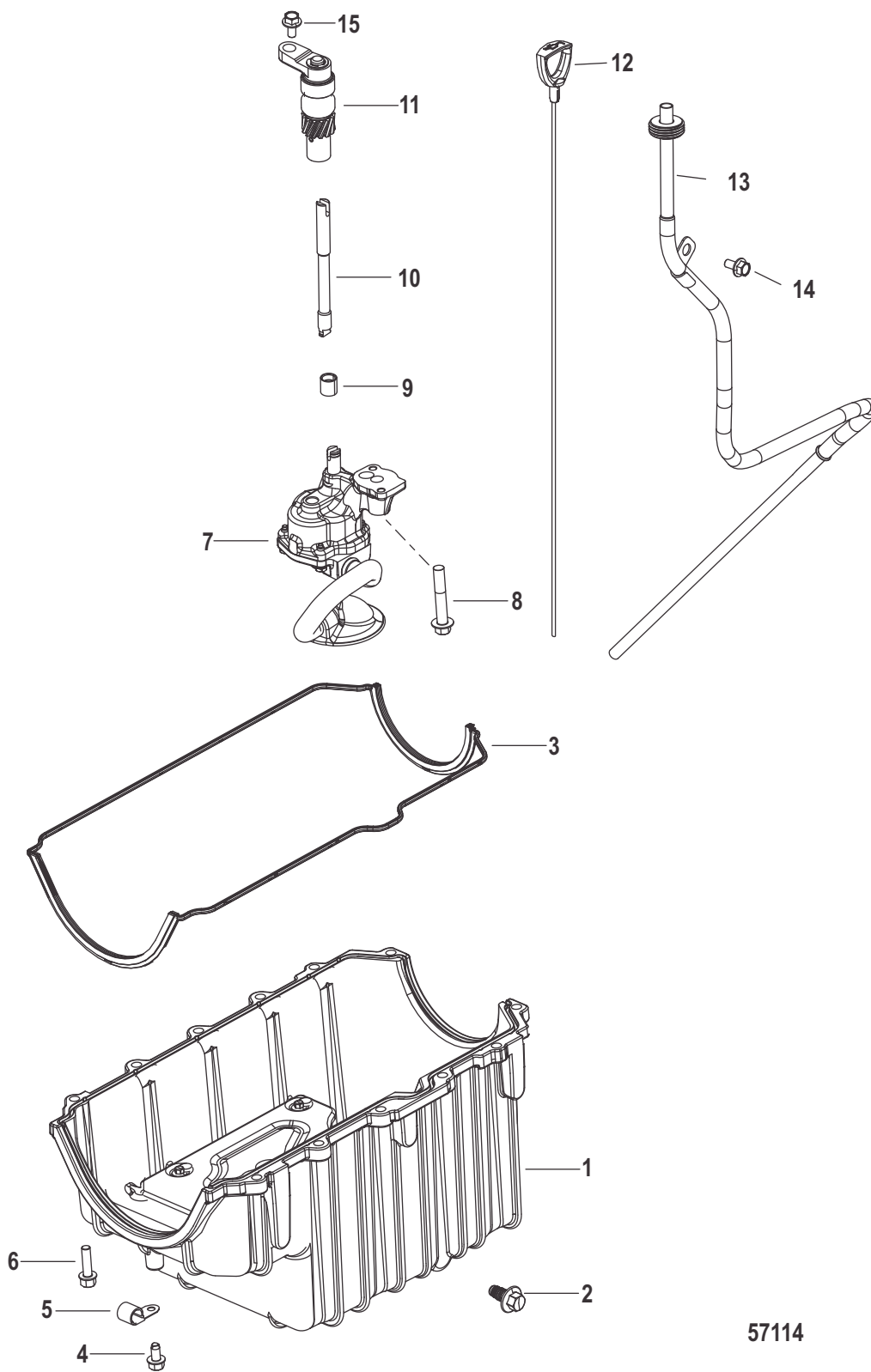
Remote Oil Fresh Water Cooling

Ref #	Part Class	Part Number	Description	Comments	Qty	Note
1	0000	8M0095983	HOUSING Remote Oil Filter		1	
2	0022	863485	FITTING		1	
3	0035	866340K01	FILTER Oil - Mercury Brand		1	[1]
3	0035	866340Q03	FILTER Oil - Quicksilver Brand		AR	[1]
4	0000	8M2000565	O-RING		4	[2]
5	0010	8M0083541	SCREW (M10 x 16)		2	
6	0032	8M0091874	LINE Oil Filter to Block		1	
7		NSS	NOT SOLD SEPARATE Bracket			
8	0010	4010612	SCREW (M6 x 12) Stainless Steel		2	
9	0032	8M0091907	LINE Oil Cooler to Filter		1	
10		NSS	NOT SOLD SEPARATE Bracket		1	
11	0010	4010612	SCREW (M6 x 12) Stainless Steel		2	
12	0032	8M0091906	LINE Oil Block to Cooler		1	

PART NOTES:

- [1] - Alternate part numbers:
 866340K01MPP
 866340Q02Service Part
 866340Q03QS
- [2] - Component of Longblock Assembly [8M0095517]

Oil Pan and Pump



57114

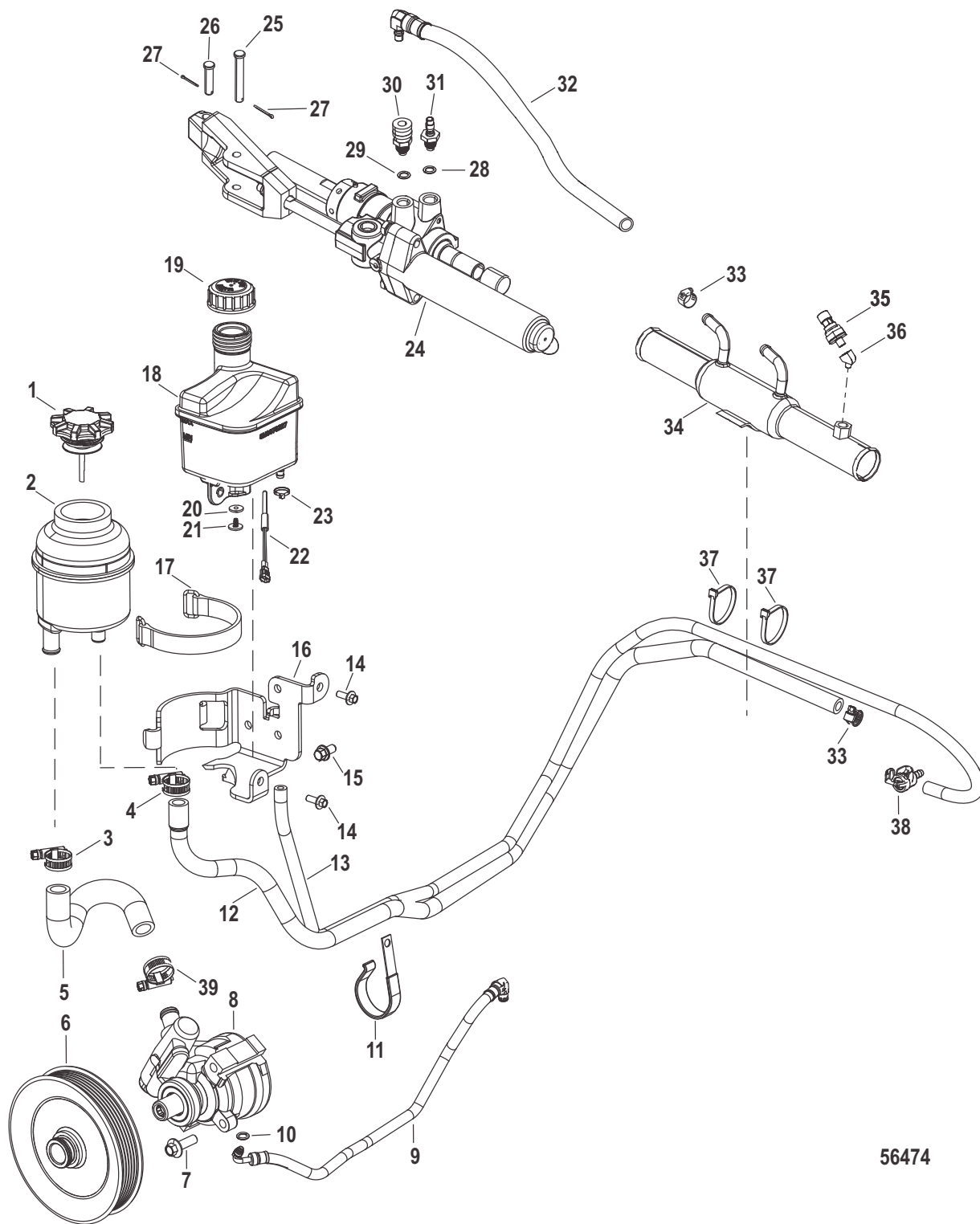
Oil Pan and Pump

Ref #	Part Class	Part Number	Description	Comments	Qty	Note
1	0000	8M0095948	PAN Oil		1	[1]
2	0010	8M0081260	SCREW M12 x 1.75 Oil Drain		1	[1]
3	0027	8M0082410	GASKET		1	[1]
4	0010	8M0087842	SCREW M8		1	[1]
5	0054	814634	CLAMP		1	[1]
6	0010	8M0082282	SCREW (M8 x 1.25)		12	[1]
7	0000	8M0095947	PUMP ASSEMBLY Oil		1	[1]
8	0010	8M0079605	SCREW (M10 x 1.5 x 59)		1	[1]
9	0000	8M6001893	RETAINER		1	[1]
10	0000	8M6001892	SHAFT		1	[1]
11	0000	8M0079424	DRIVER Oil Pump		1	[1]
12	0079	8M0095331	DIPSTICK		1	
13	0000	8M0095135	DIPSTICK TUBE		1	
14	0010	8M0106012	SCREW (M6 x 1-12)		1	
15	0010	8M0090499	SCREW (M8 x 23.5)		1	
-	0000	8M0095517	Longblock ASSEMBLY		1	

PART NOTES:

[1] - Component of Longblock Assembly [8M0095517]

Steering System and Drive Lube Bottle



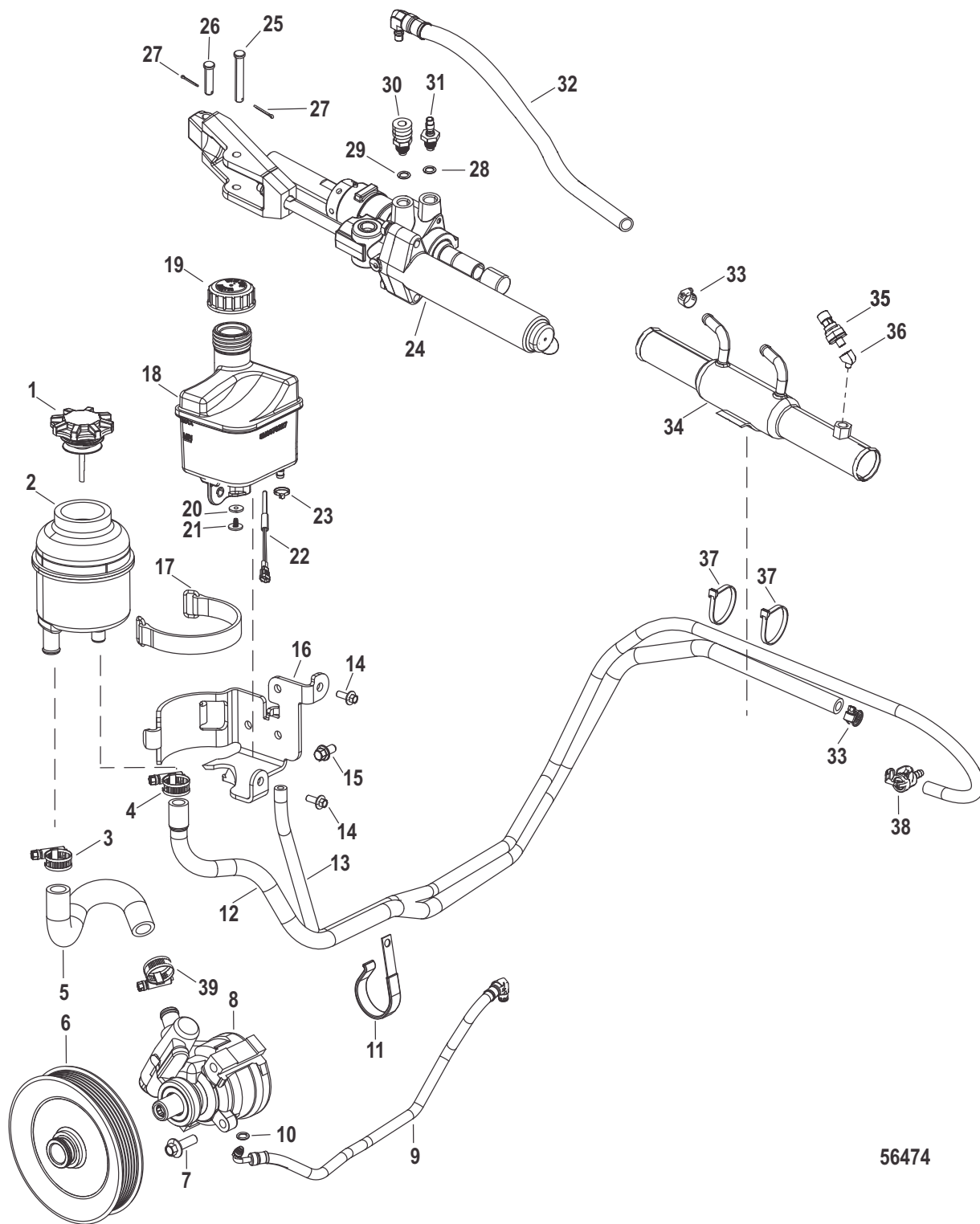
56474

Steering System and Drive Lube Bottle

Ref #	Part Class	Part Number	Description	Comments	Qty	Note
1	0019	8M0050237	CAP Oil Reservoir - Black		1	
NS	0037	8M0089907	DECAL Steering Fluid		1	
2	0000	8M0046080	RESERVOIR ASSEMBLY Oil, Power Steering		1	
3	0054	8M0083431	CLAMP		1	
NS	0019	8M0074363	CAP		1	
4	0054	F698772	CLAMP Worm Gear		1	
5	0032	8M0077292	HOSE Oil Pump to Reservoir		1	
6	0000	861578	PULLEY		1	
7	0010	4010725	SCREW (M8 x 25)		3	
8	0046	8M0095481	PUMP ASSEMBLY .75 Shaft Diameter		1	
9	0032	8M0079718	HOSE ASSEMBLY Pump to Cylinder		1	
9	0032	8M0079975	HOSE ASSEMBLY Pump to Cylinder	Bravo FWC	1	
10	0025	89879	O-RING (.301 x .064)		1	
11	0054	8M6002411	CLIP		1	
12	0032	8M0077293	HOSE Oil Reservoir to Cooler		1	
13	0032	8M0080036	HOSE ASSEMBLY Bottle to Transom		1	
14	0010	4010616	SCREW (M6 x 16) Stainless Steel		2	
15	0010	88552616	SCREW (M8 x 16)		3	
16	0000	8M0095757	BRACKET		1	
17	0000	8M0088265	STRAP		1	
18	0000	8M0095479	LUBE BOTTLE ASSEMBLY		1	
19	0036	8067271	CAP Drive Lube Monitor		1	
20	0012	72761	WASHER (.203 x .562 x .060) Stainless Steel		1	
21	0010	58376	SCREW (.164-18 x .375)		1	
22	0087	856156T04	SWITCH		1	
23	0000	69355	TIE STRAP (5.50 Inches)		1	
24	0000	8M0063382	CYLINDER ASSEMBLY Power Steering		1	
25	0017	15878	PIN Clevis		1	
26	0017	16419	PIN Clevis		1	
27	0018	46950	COTTER PIN		2	
28	0025	806232	O-RING (.239 x .064)			
29	0025	89879	O-RING (.301 x .064)		2	
30	0022	865415	FITTING		1	
31	0022	865414001	FITTING		1	
32	0032	865390015	HOSE Male Quick Connect Cylinder to Cooler		1	
33	0054	815504105	CLAMP Worm Gear (11-18 mm)		2	
34	0000	8M0095482	COOLER Power Steering		1	
34	0000	8M0118727	COOLER Power Steering	DTS [2A529777] & Up	1	
35	0000	881879010	SENSOR Pressure		1	
35	0000	8M6000623	SENSOR Water Pressure Pressure	DTS	1	

Steering System and Drive Lube Bottle

Steering System and Drive Lube Bottle

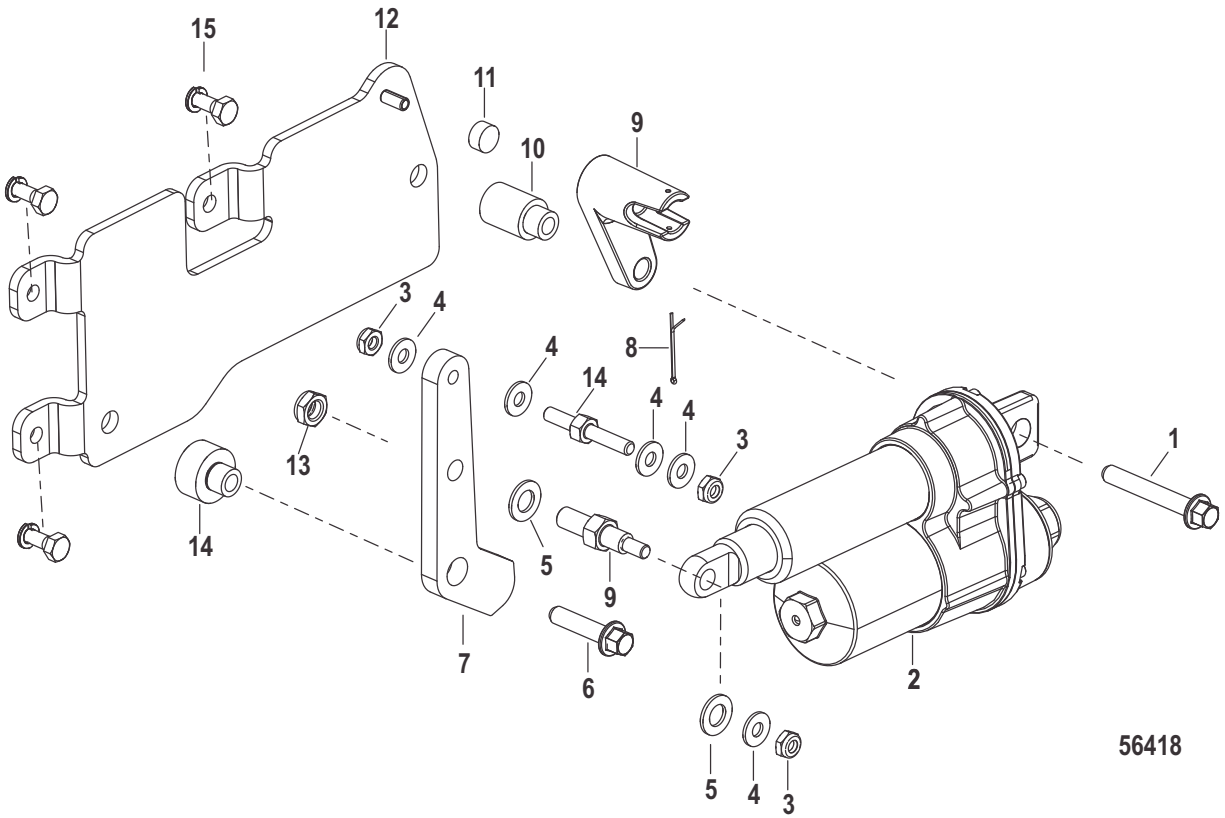


56474

Steering System and Drive Lube Bottle

Ref #	Part Class	Part Number	Description	Comments	Qty	Note
36	0022	29085	FITTING Elbow (45 Degree)		1	
36	0022	59351	ELBOW 90 Degree	DTS	1	
37	0054	816311	TIE STRAP (8.00 Inches)		2	
38	0022	865379	FITTING Female To Transom		1	
39	0054	815504210	CLAMP Worm Gear		1	

Shift Bracket Digital Throttle and Shift

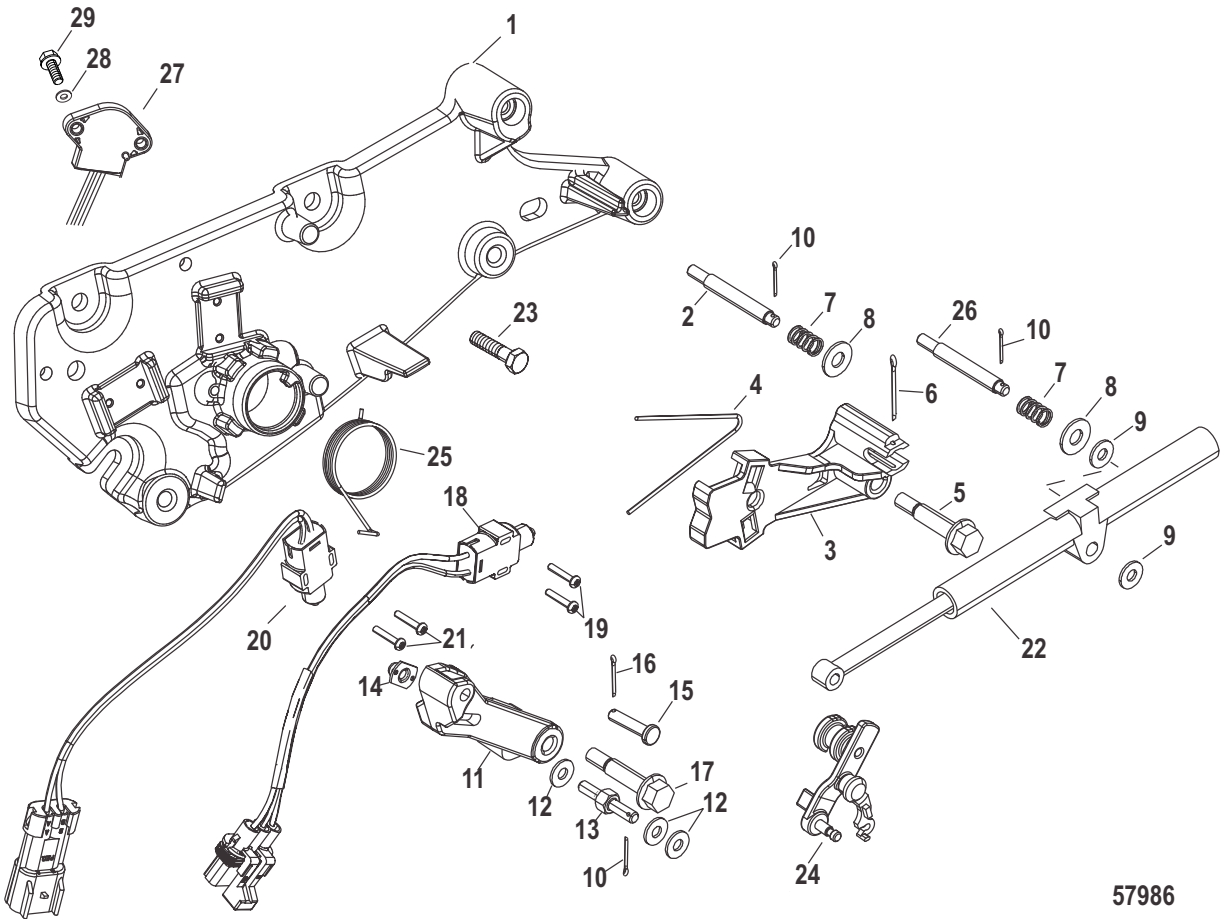


56418

Shift Bracket Digital Throttle and Shift

Ref #	Part Class	Part Number	Description	Comments	Qty	Note
-	0000	8M0127239	SHIFT BRACKET ASSEMBLY DTS		1	
1	0010	88552655	SCREW (M8 x 55)		1	
2	0000	879194T46	SHIFT ACTUATOR		1	
3	0011	826709109	NUT (.250-28) Stainless Steel		3	
4	0012	35462	WASHER (.2656 x .625 x .0625) Stainless Steel		4	
5	0012	34931	WASHER (.406 x .734 x .063) Stainless Steel		2	
6	0010	88552635	SCREW (M8 x 35 MM)		1	
7	0000	8M0079104	SHIFT ARM		1	
8	0018	36002	COTTER PIN		1	
9	0000	8M2009720	RETAINER		1	
10	0023	863133	SPACER		1	
11	0023	98828	SPACER		1	
12	0000	8M0095949	BRACKET		1	
13	0011	826709113	NUT (.375-24) Stainless Steel		1	
14	0023	863132	SPACER		1	
15	0010	657461	SCREW AND LOCKWASHER (.250-20 x .625)		3	

Shift Bracket Alpha



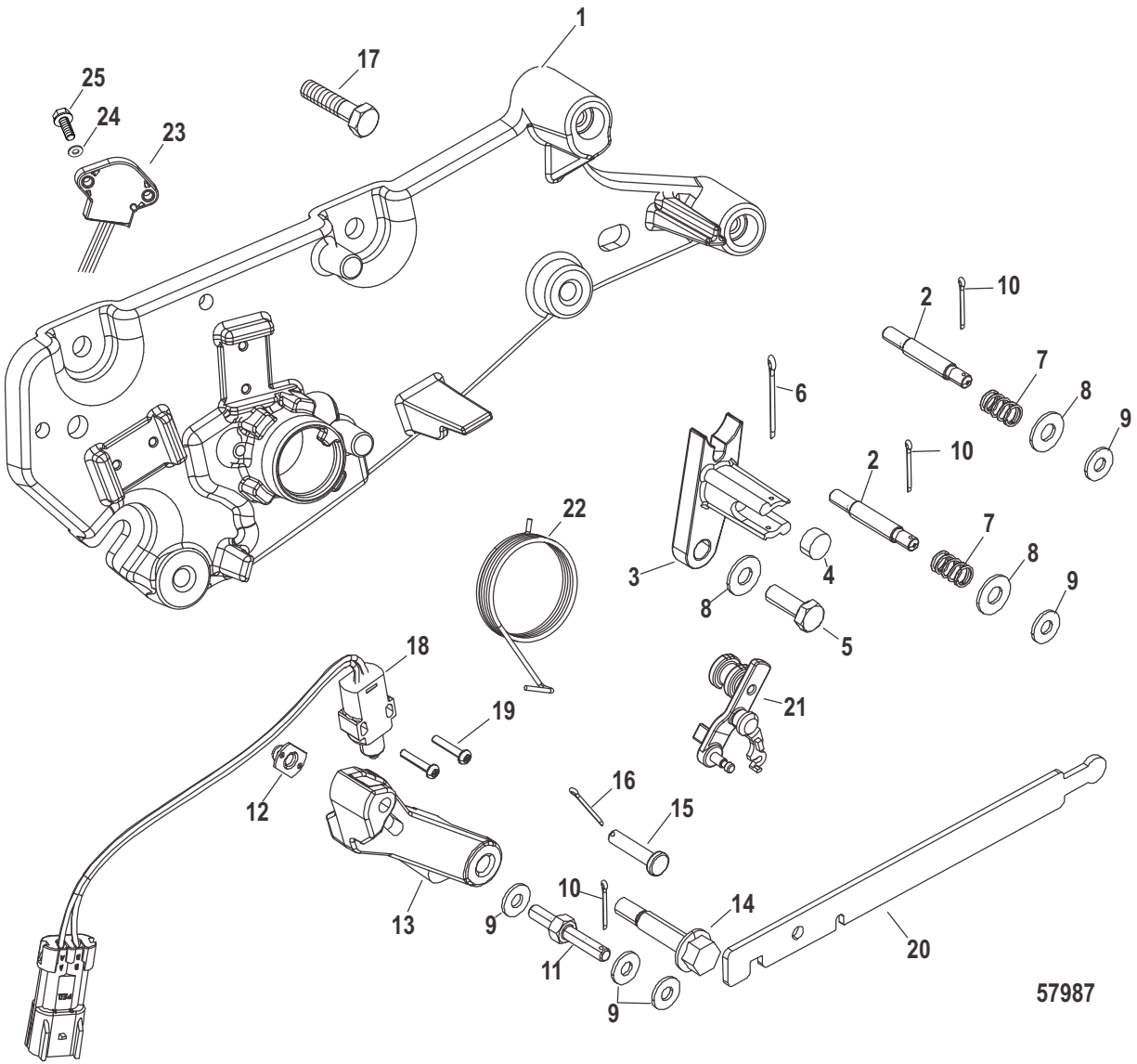
57986

Shift Bracket Alpha

Ref #	Part Class	Part Number	Description	Comments	Qty	Note
1	0000	8M0097162	BRACKET KIT Shift		1	
2	0000	865149A02	STUD With Cotter Pin		1	
3	0000	865433A02	LEVER ASSEMBLY Actuator, With Cotter Pin		1	
4	0024	864907T	SPRING		1	
5	0010	865148	SHOULDER SCREW (.312-18 x 1.843) Stainless Steel		1	
6	0018	328571	COTTER PIN		2	
7	0024	98880	SPRING		2	
8	0012	56720	WASHER (.330 x .750 x .060) Stainless Steel		2	
9	0012	35462	WASHER (.2656 x .625 x .0625) Stainless Steel		2	
10	0018	210711	COTTER PIN		3	
11	0000	8M0078904	LEVER ASSEMBLY Shift		1	
12	0012	35462	WASHER (.2656 x .625 x .0625) Stainless Steel		3	
13	0016	865393A02	STUD KIT (.250-28 x 1.90) With Cotter Pin		1	
14	0011	63341	TEE NUT		1	
15	0017	814001	PIN Clevis		1	
16	0018	210711	COTTER PIN		1	
17	0010	865148	SHOULDER SCREW (.312-18 x 1.843) Stainless Steel		1	
18	0087	8M0095575	SWITCH ASSEMBLY Shift Anticipate		1	
19	0010	865147	SCREW (#6-32 x .750) Stainless Steel		2	
20	0087	8M0095577	SWITCH ASSEMBLY Neutral		1	
21	0010	865147	SCREW (#6-32 x .750) Stainless Steel		2	
22	0000	813995A1	GUIDE ASSEMBLY Spring		1	
23	0010	657461	SCREW AND LOCKWASHER (.250-20 x .625)		3	
24	0000	8M0101621	THROTTLE ARM ASSEMBLY		1	
25	0024	8M0072630	SPRING		1	
26	0016	865154A02	STUD KIT (.250-20/.250-28 x 2.120) (Included in Bracket Kit)		1	
27	0084	8M0095576	HARNESS ASSEMBLY Demand Sensor		1	
28	0012	89302	WASHER (.203 x .406 x .040)		2	
29	0010	852368	SCREW (#10-24 x .750)		2	

Shift Bracket Alpha

Shift Bracket Bravo

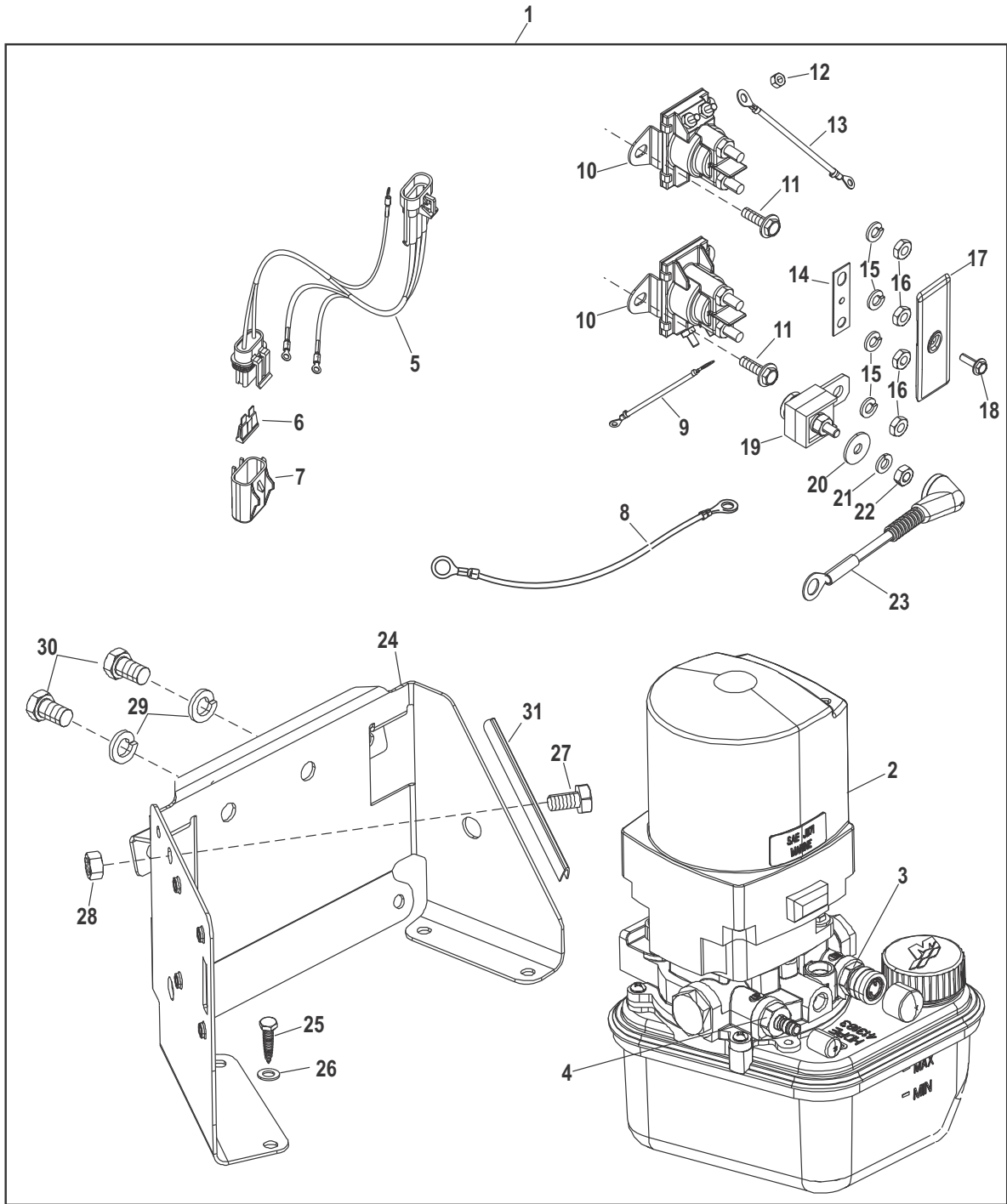


57987

Shift Bracket Bravo

Ref #	Part Class	Part Number	Description	Comments	Qty	Note
1	0000	8M0125300	SHIFT BRACKET ASSEMBLY		1	
1	0000	8M0097162	BRACKET KIT Shift		1	
2	0016	865154A02	STUD KIT (.250-20/.250-28 x 2.120) With Cotter Pin		2	
3	0000	865434A02	RETAINER KIT Shift Cable, With Cotter Pin		1	
4	0023	98828	SPACER		1	
5	0010	53167T	SCREW .312-18X .88		1	
6	0018	328571	COTTER PIN		1	
7	0024	98880	SPRING		2	
8	0012	56720	WASHER (.330 x .750 x .060) Stainless Steel		2	
9	0012	35462	WASHER (.2656 x .625 x .0625) Stainless Steel		5	
10	0018	210711	COTTER PIN		3	
11	0016	865393A02	STUD KIT (.250-28 x 1.90) With Cotter Pin		1	
12	0011	63341	TEE NUT		1	
13	0000	8M0095950	LEVER ASSEMBLY Shift		1	
14	0010	865148	SHOULDER SCREW (.312-18 x 1.843) Stainless Steel		1	
15	0017	68402	PIN (.250 x 1.13) Clevis		1	
16	0018	210711	COTTER PIN		1	
17	0010	657461	SCREW AND LOCKWASHER (.250-20 x .625)		3	
17	0010	69035	SCREW AND LOCKWASHER (.250-20 x .625) Stainless Steel	(SEACORE)	3	
18	0087	8M0095577	SWITCH ASSEMBLY Neutral		1	
19	0010	865147T01	SCREW (#6-32 x .750) Stainless Steel		2	
20	0091	12427T	TOOL Shift Adjust		1	
21	0000	8M0101621	THROTTLE ARM ASSEMBLY		1	
22	0024	8M0072630	SPRING		1	
23	0084	8M0095576	HARNESS ASSEMBLY Demand Sensor		1	
24	0012	89302	WASHER (.203 x .406 x .040)		2	
25	0010	852368	SCREW (#10-24 x .750)		2	

Trim Pump Assembly

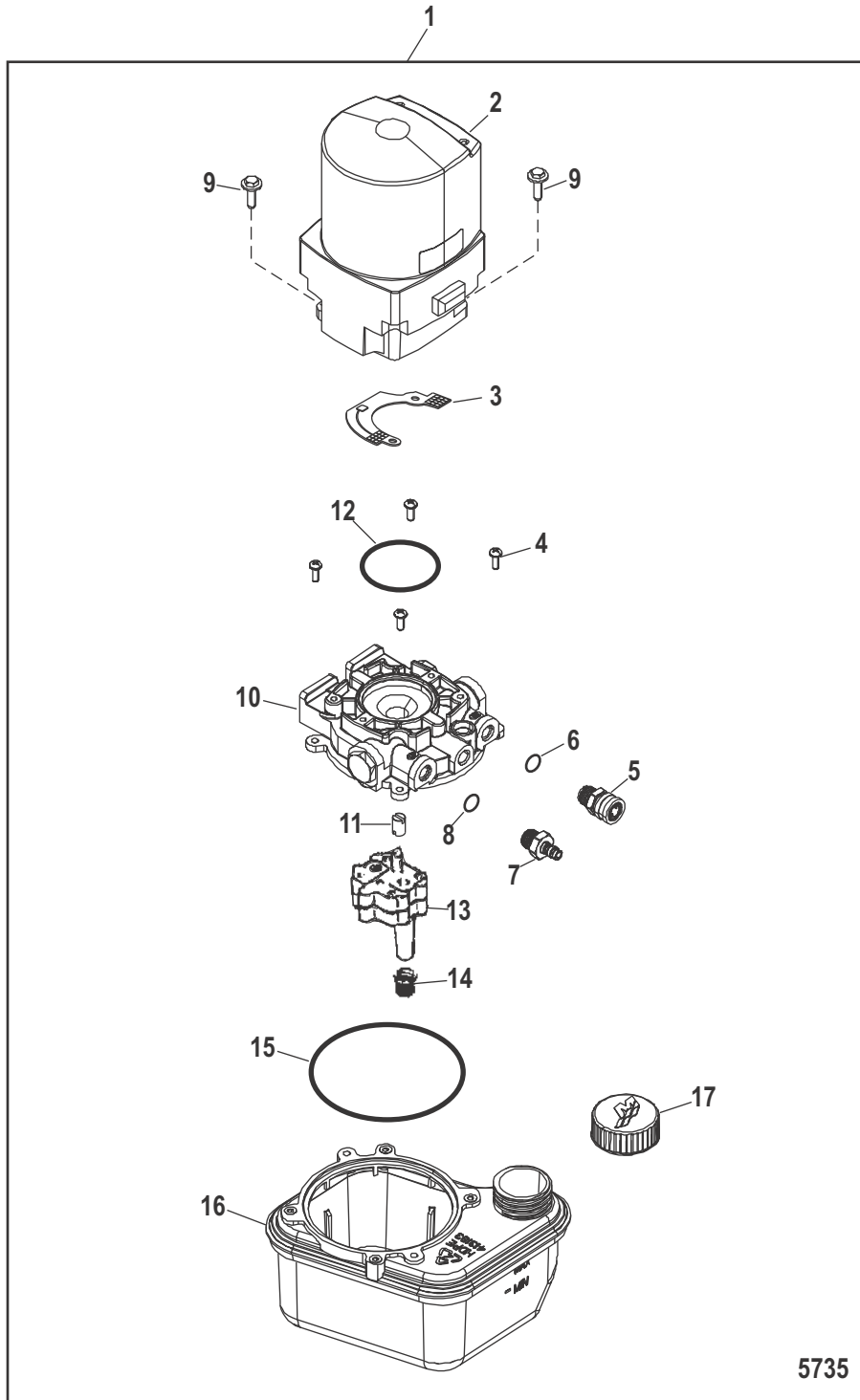


20383

Trim Pump Assembly

Ref #	Part Class	Part Number	Description	Comments	Qty	Note
1	0000	865380A25	PUMP ASSEMBLY Trim - Complete		1	
2	0000	865380A13	PUMP/MOTOR ASSEMBLY Trim - 12 Volt	- NOTE: See Trim Pump/Motor Assembly Section For Parts Breakdown	1	
3	0022	865413002	FITTING Stainless Steel		1	
4	0022	865412001	FITTING Stainless Steel		1	
5	0084	79147A09	HARNESS ASSEMBLY		1	
6	0088	812619	FUSE Yellow - 20 Ampere		1	
7	0000	828054	COVER Fuse		1	
8	0084	79138A9	CABLE ASSEMBLY (6.00 Feet) Black-Negative		1	
9	0084	86322A15	CABLE ASSEMBLY (5.50 Inches) Black		1	
10	0089	96158T	SOLENOID		2	
11	0010	865655	SCREW (.250-20 x .500)		4	
12	0011	26419	NUT (#8-32) Brass		4	
13	0084	86322A24	CABLE ASSEMBLY (4.00 Inches)		1	
14	0000	94275	LINK Connector		1	
15	0013	26992	LOCKWASHER (.250) Stainless Steel		4	
16	0011	94330	NUT (.250-20) Brass		4	
17	0085	861680	INSULATOR		1	
18	0010	48409	SCREW (#10-16 x .625) Stainless Steel		1	
19	0088	79023T10	FUSE ASSEMBLY 110 Ampere		1	
20	0012	25908	WASHER (.265 x .812 x .0625)		1	
21	0013	26992	LOCKWASHER (.250) Stainless Steel		1	
22	0011	21825	NUT (.250-28)		1	
23	0084	79139A12	CABLE ASSEMBLY Red-Positive		1	
24	0000	862548A1	BRACKET KIT Floor Or Transom Mounted		1	
25	0010	59784	SCREW (.250-10 x 1.00)		4	
26	0012	29245	WASHER (.281 x .500 x .060) Stainless Steel		4	
27	0010	90285	SCREW (.312-18 x .625)		1	
28	0011	68292	NUT (.312-18)		1	
29	0013	35048	LOCKWASHER (.375)		2	
30	0010	98260	SCREW (.375-16 x .620)		2	
31	0000	58491	CHANNEL Rubber (4.00 Inches)		2	

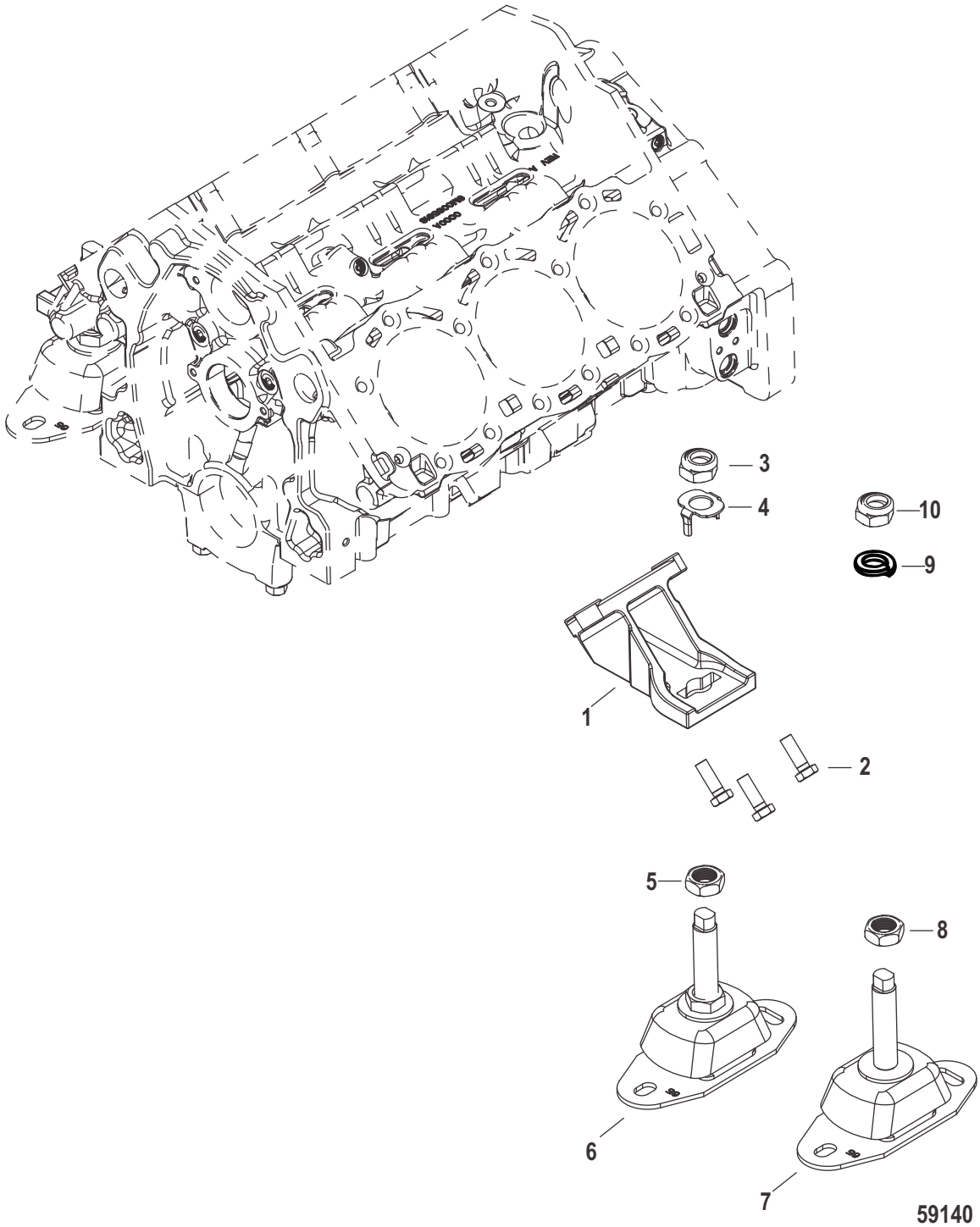
Trim Pump and Motor Components



Trim Pump and Motor Components

Ref #	Part Class	Part Number	Description	Comments	Qty	Note
1	0000	865380A13	PUMP/MOTOR ASSEMBLY Trim - 12 Volt		1	
2	0000	891736T	MOTOR ASSEMBLY Complete		1	
3	0000	892608	BOARD ASSEMBLY Circuit - Radio Frequency Interference Filter		1	
4	0010	883167	SCREW (#8-32)		4	
5	0022	865413002	FITTING Stainless Steel Female Quick Connect		1	
6	0025	891868	O-RING		1	
7	0022	865412001	FITTING Stainless Steel Male Quick Connect		1	
8	0025	891868	O-RING		1	
9	0010	823444	SCREW		2	
10	0000	808728T	ADAPTER ASSEMBLY		1	
11	0000	803852	COUPLING		1	
12	0025	89498	O-RING Motor End		1	
13	0000	18529	PUMP ASSEMBLY With Screws		1	
14	0035	89496	FILTER		2	
15	0025	17645	O-RING Reservoir End		1	
16	0000	883166A2	RESERVOIR KIT	With Filters-Reference 14 And O Ring-Reference 15	1	
17	0036	865448A01	CAP Oil Reservoir		OPT	
NS	0000	812498A1	VALVE KIT Relief	Up Pressure	1	
NS	0000	812499A1	VALVE KIT Relief	Down Pressure	1	
NS	0000	95353A1	VALVE KIT Thermal Relief	Thermal	1	
NS	0000	18545A1	REPAIR KIT		1	
NS	0000	891737	BRUSH KIT		1	

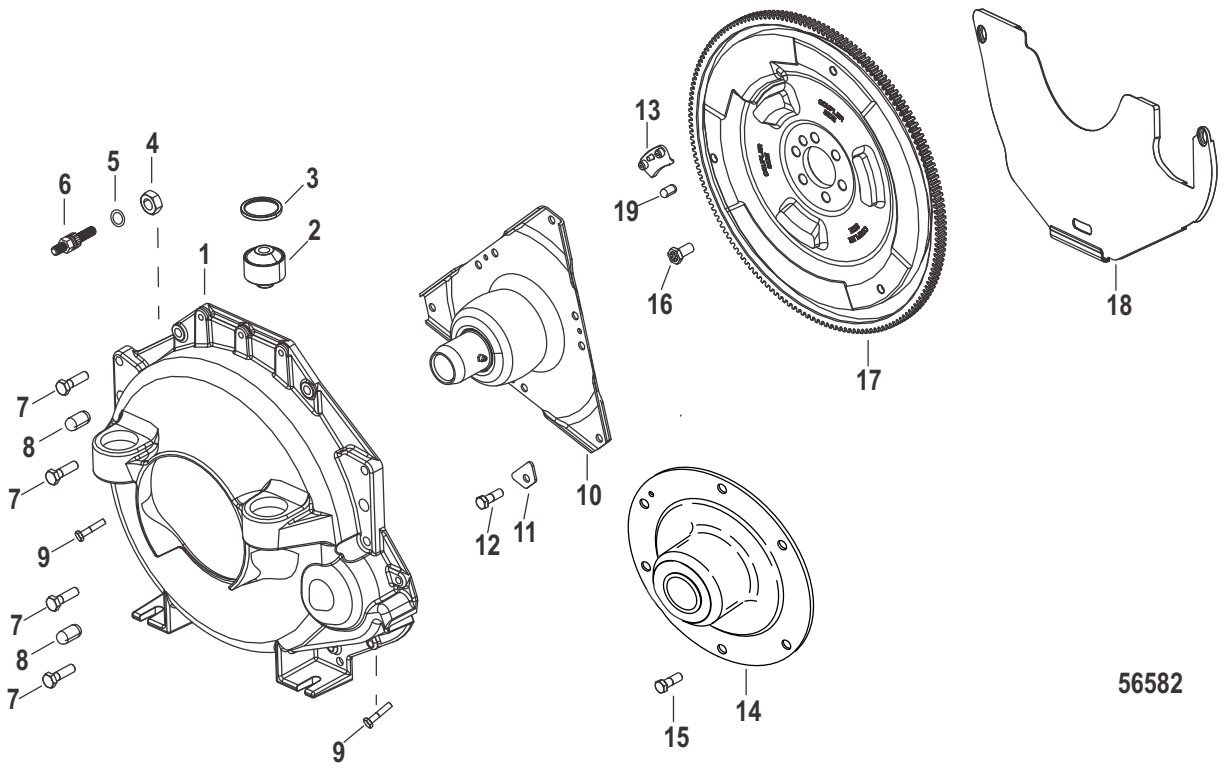
Engine Mounts



Engine Mounts

Ref #	Part Class	Part Number	Description	Comments	Qty	Note
1	0000	8M0095442	MOUNT Engine		2	
2	0010	40001195	SCREW (M10 x 30)		6	
3	0011	859126	NUT (.750-16)		2	
4	0012	8M0093699	WASHER Special		2	
5	0011	8M0087853	NUT (.750-16)		2	
6	0000	8M0104773	MOUNT ASSEMBLY		2	
7	0000	8M0104774	MOUNT ASSEMBLY	Seacore	2	
8	0011	18304	NUT	Seacore	2	
9	0011	8M0127767	NUT Nyloc	Seacore	2	

Flywheel and Coupler



56582

Flywheel and Coupler

Ref #	Part Class	Part Number	Description	Comments	Qty	Note
1	0000	8M0095439	HOUSING ASSEMBLY Flywheel		1	
2	0000	8M0032688	MOUNT Rubber		2	
3	0000	8M0087147	SPACER		2	
4	0011	40125100	NUT (M10)		2	
5	0013	400248	LOCKWASHER (M10)		2	
6	0016	861577	STUD Double Ended Metric (M10)		2	
7	0010	40001197	SCREW (M10 x 35)		4	
8	0017	8M0092110	PIN Dowel		2	[1]
9	0010	76596	SCREW (.250-20 x 1.250)		2	
10	0000	18643A5	COUPLING ASSEMBLY	Alpha	1	
NS	0022	74036	FITTING Grease	Alpha	1	
11	0012	13510	WASHER	Alpha	3	
12	0010	14883	SCREW (.375-16 x 1.12)	Alpha	3	
13	0000	18644	BUMPER Rubber	Alpha	3	
14	0000	861523A9	COUPLER ASSEMBLY Engine - Short Aluminum Hub	Bravo	1	
15	0010	863480	SCREW (.375-16 x 1.125)	Bravo	6	
16	0010	8M0076509	SCREW (.4375 x 20)		6	
17	0200	8M0095946	FLYWHEEL ASSEMBLY	Alpha	1	
17	0200	8M0109480	FLYWHEEL ASSEMBLY	Alpha and Bravo	1	
18	0000	807260A2	COVER KIT Flywheel		1	
19		NSS	NOT SOLD SEPARATE PIN		1	

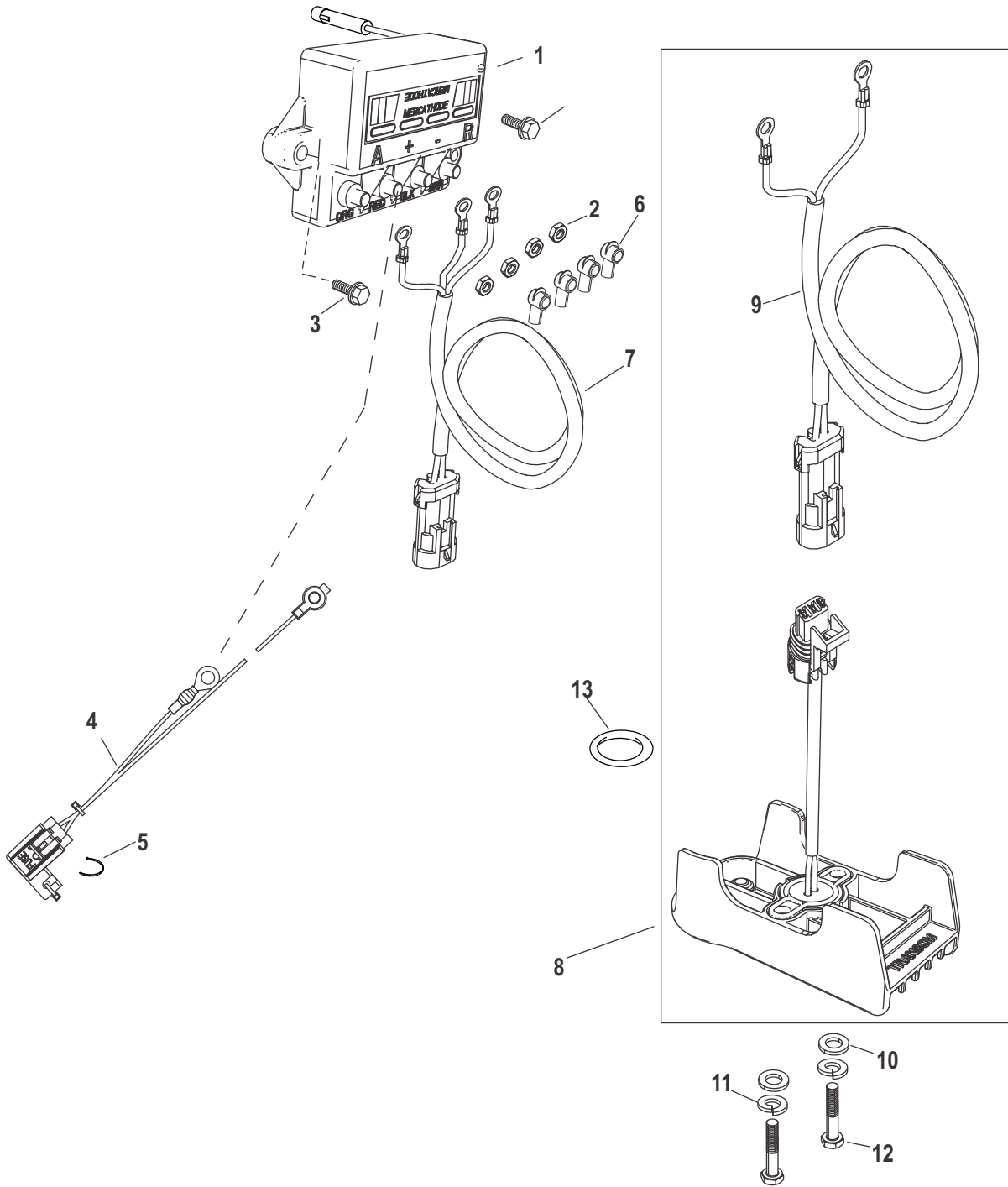
PART NOTES:

[1] - Component of Longblock Assembly [8M0095517]

Harnesses

Ref #	Part Class	Part Number	Description	Comments	Qty	Note
-	0087	8M0095577	SWITCH ASSEMBLY Neutral		1	
-	0084	8M0096310	HARNESS Mercathode Engine Harness to Mercathode		1	
-	0084	8M0095979	HARNESS Power Alternator		1	
-	0084	8M0095980	HARNESS Ground Alternator		1	
-	0084	8M0095579	HARNESS ASSEMBLY Transom		1	
-	0084	8M0095981	HARNESS Excitation Alternator		1	
-	0084	8M0095477	WIRING HARNESS Engine DTS		1	
-	0084	8M0095478	WIRING HARNESS Engine Mechanical		1	
-	0084	888416T04	HARNESS ASSEMBLY DTS, Clean Power, 15 Feet		1	

Mercathode Kit



62745

Mercathode Kit

Ref #	Part Class	Part Number	Description	Comments	Qty	Note
1	0098	8M0122010	MERCATHODE KIT		1	
1	0000	8M0100517	MERCATHODE CONTROLLER MerCathode Controller with Hardware Only		1	
2	0011	68219	NUT (#10-32) Stainless Steel		4	
3	0010	82104520	SCREW (M5 x 20)		2	
4	0084	8M0060271	CABLE ASSEMBLY		1	
5	0000	56762	TIE STRAP (4.00 Inches)		2	
6	0085	86606	BOOT Insulator - Black		4	
7	0084	8M0096310	HARNESS Mercathode		1	
8	0000	8M0085692	MERCATHODE SYSTEM		1	
9	0084	865181T01	HARNESS ASSEMBLY Mercathode		1	
10	0012	29245	WASHER (.281 x .500 x .060) Stainless Steel		2	
11	0013	26992	LOCKWASHER (.250) Stainless Steel		2	
12	0010	69067	SCREW (.250-20 x 1.375)		2	
13	0025	88388	O-RING		1	

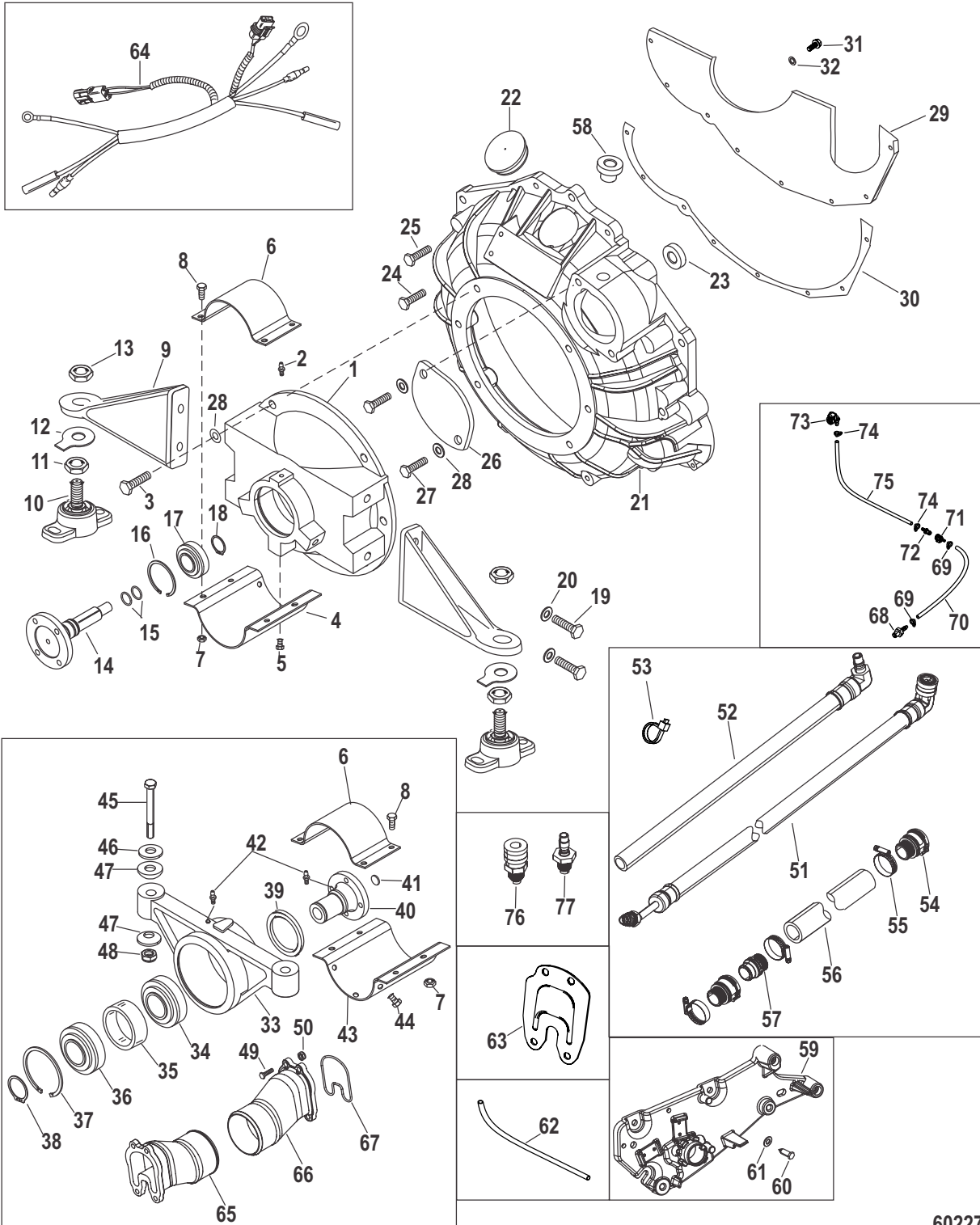
Cat.# 90-8M0095754

Accessories

Ref #	Part Class	Part Number	Description	Comments	Qty	Note
-	0022	8M0095698	FITTING KIT Hot Water		1	
-	0000	8M0089505	FLUSH KIT	Bravo Models Only	1	
-	0000	8M0089504	HOSE KIT FWC (6 Inch Riser)		1	
-	0000	8M0096701	HOSE KIT RWC (6 Inch Riser)		1	

Accessories

Jackshaft Components

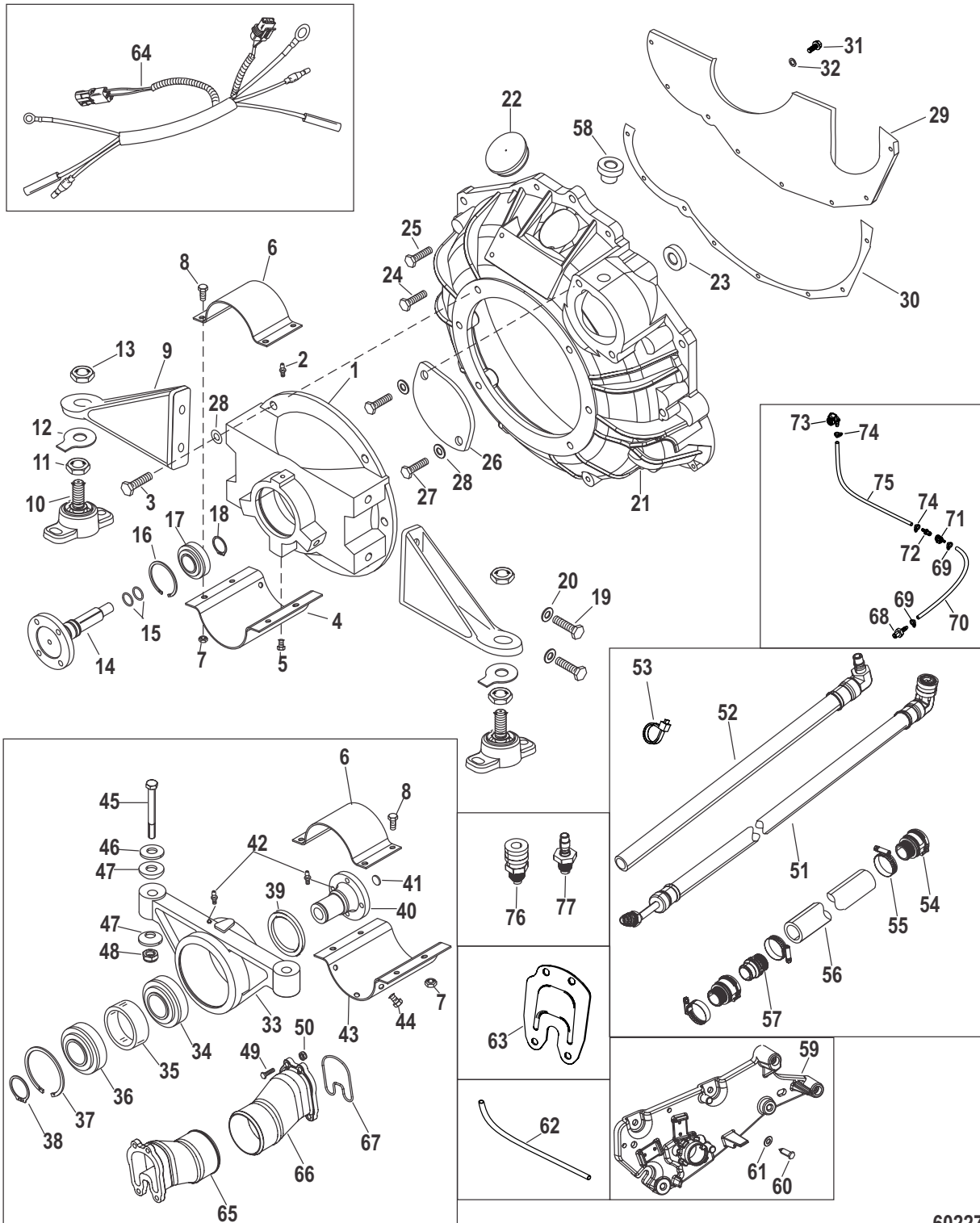


60227

Jackshaft Components

Ref #	Part Class	Part Number	Description	Comments	Qty	Note
-	0000	8M0089506	JACKSHAFT KIT Jackshaft Kit		1	
1	0000	93911A4	HOUSING ASSEMBLY Shaft Extension Support		1	
2	0022	74036	FITTING Grease	(Use with greased bearing)	1	
3	0010	47651	SCREW (.437-14 x 1.50)		6	
4	0000	93918A1	SHIELD Lower		1	
5	0010	96995	SCREW (.375-16 x .880)		3	
6	0000	93919A1	SHIELD Upper		2	
7	0011	82670912	NUT (.375-16) Stainless Steel		8	
8	0010	96995	SCREW (.375-16 x .880)		8	
9	0000	93923A1	MOUNT ASSEMBLY Flywheel Housing		2	
10	0000	8M0104773	MOUNT ASSEMBLY		2	
11	0011	8M0087853	NUT (.750-16) Jam		2	
12	0014	12657	TAB WASHER		2	
13	0011	859126	NUT (.750-16)		2	
14	0000	93906A2	SHAFT Output		1	
15	0025	29845	O-RING (.924 x .103)		2	
16	0053	94104	RING Retaining		1	
17	0030	879194A03	GIMBAL BEARING KIT		1	
18	0053	841897T	RING Retaining		1	
19	0010	47651	SCREW (.437-14 x 1.50)		4	
20	0013	32993	LOCKWASHER (.437)		4	
21	0000	814309A1	HOUSING ASSEMBLY		1	
22	0019	12304	PLUG Timing Window		1	
23	0030	863864	BEARING Pilot		1	
24	0010	40001213	SCREW (M10x70x10.9)		2	
25	0010	806681	SCREW (.375-16 x .875)		2	
26	0000	939201	PLATE Cover		1	
27	0010	92913	SCREW (.437-14 x .750)		2	
28	0013	32993	LOCKWASHER (.437)		8	
29	0000	818718A3	COVER KIT Flywheel Inspection		1	
30	0027	86015	GASKET Flywheel Inspection Cover		1	
31	0010	98253	SCREW (.250-20 x .500)		4	
32	0013	26992	LOCKWASHER (.250) Stainless Steel		4	
33	0000	817416A4	HOUSING ASSEMBLY Bearing		1	
34	0030	93944A2	BEARING SET Ball	Includes Item Number 36	1	
35	0023	817417T	SPACER		1	
36		NSS	NOT SOLD SEPARATE	Bearing	1	
37	0053	93914	RING Retaining		1	
38	0053	93915	RING Retaining		1	
39	0026	93924	SEAL Oil		1	
40	0000	817415T	SHAFT Input		1	
41	0019	93921	EXPANSION PLUG		1	
42	0022	74036	FITTING Grease		2	

Jackshaft Components



60227

Jackshaft Components

Ref #	Part Class	Part Number	Description	Comments	Qty	Note
43	0000	93918A1	SHIELD Lower		1	
44	0010	76926	SCREW (.375-16 x .875)		3	
45	0010	57053	SCREW (.500-20 x 4.500)		2	
46	0012	35777	WASHER (.5156 x 1.375 x .125) Aluminum		2	
47	0012	42307	WASHER Spherical		4	
48	0011	898832	NUT (.500-20)		2	
49	0010	805159	SCREW (.437-20 x 1.500)		8	
50	0011	82670815	NUT (.437-20)		8	
51	0032	866689	HOSE Female Quick Connect (Fittings on Both Ends)		1	
52	0032	865390134	HOSE Male Quick Connect (Fittings on One End)		1	
53	0054	816311T	TIE STRAP (8.00 Inches)		8	
54	0022	865324	QUICK CONNECT		2	
55	0054	815504222	CLAMP Worm Gear (1.98 Diameter)		4	
56	0032	8M0062666	HOSE (96.00 Inches Bulk)	(Cut to Length)	1	
57	0022	865362	QUICK CONNECT		1	
58	0019	38606	CAPLUG (#10)		1	
59	0000	8M0097162	BRACKET KIT		1	
60	0010	59784	SCREW (.250-10 x 1.00)		1	
61	0012	21249	WASHER		1	
62	0032	8M0062634	HOSE 44.00 inch Bulk (Cut to Length)	Alpha	1	
63	0000	861776A2	PLATE KIT		1	
64	0084	8M0112940	HARNESS ASSEMBLY		1	
65	0000	862268T1	TUBE		1	
66	0000	862268T2	TUBE		1	
67	0000	41802	SEAL Rubber		1	
68	0022	13670	FITTING		1	
69	0054	815504210	CLAMP Worm Gear		2	
70	0032	8M0040618	HOSE 62 Inch Bulk		1	
71	0022	865379	FITTING Female		1	
72	0022	865191	FITTING Male		1	
73	0022	861163	QUICK CONNECTOR (90 Degree)		1	
74	0054	815504210	CLAMP Worm Gear		2	
75	0032	8M0040618	HOSE 62 Inch Bulk (Cut to Length)		AR	
76	0022	865415	FITTING PS Return		1	
77	0022	865414001	FITTING PS Pressure		1	

PARTS INDEX

Part No.	Description	Pg.	Ref.no	Part No.	Description	Pg.	Ref.no
11178A01	BREAKER Circuit - 50 Ampere	10	8	12304	PLUG Timing Window	88	22
12427T	TOOL Shift Adjust	72	20	12657	TAB WASHER	88	12
13510	WASHER	80	11	13670	FITTING	90	68
14358001	TUBE Exhaust	32	5	14883	SCREW (.375-16 x 1.12)	80	12
15878	PIN Clevis	64	25	1589431	TUBING (20.00 Inches Bulk)	14	28
16419	PIN Clevis	64	26	1743534	HOSE (14.5 Inches)	44	12
17645	O-RING Reservoir End	76	15	18304	NUT	78	8
18529	PUMP ASSEMBLY With Screws	76	13	18545A1	REPAIR KIT	76	NS
18643A5	COUPLING ASSEMBLY	80	10	18644	BUMPER Rubber	80	13
1983389	HOSE	46	39	210711	COTTER PIN	70	10
210711	COTTER PIN	70	16	210711	COTTER PIN	72	10
210711	COTTER PIN	72	16	21249	WASHER	90	61
21825	NUT (.250-28)	74	22	23784	PIN Dowel	14	21
25908	WASHER (.265 x .812 x .0625)	74	20	26419	NUT (#8-32) Brass	74	12
26802	O-RING (.424 x .103)	34	18	26802	O-RING (.424 x .103)	40	13
26802	O-RING (.424 x .103)	46	16	26802	O-RING (.424 x .103)	52	3
26802	O-RING (.424 x .103)	54	3	26992	LOCKWASHER (.250) Stainless Steel	74	15
26992	LOCKWASHER (.250) Stainless Steel	74	21	26992	LOCKWASHER (.250) Stainless Steel	84	11
26992	LOCKWASHER (.250) Stainless Steel	88	32	26993	LOCKWASHER (.312)	8	29
29085	FITTING Elbow (45 Degree)	66	36	29198	SCREW AND LOCKWASHER (.312-18 x .875)	46	11
29245	WASHER (.281 x .500 x .060) Stainless Steel	74	26	29245	WASHER (.281 x .500 x .060) Stainless Steel	84	10
29845	O-RING (.924 x .103)	88	15	30529	O-RING (1.925 x .103)	50	5
32803	PLUG Pipe (.375-18) Brass	34	11	32803	PLUG Pipe (.375-18) Brass	40	8
328571	COTTER PIN	70	6	328571	COTTER PIN	72	6
32993	LOCKWASHER (.437)	88	20	32993	LOCKWASHER (.437)	88	28
34931	WASHER (.406 x .734 x .063) Stainless Steel	8	9	34931	WASHER (.406 x .734 x .063) Stainless Steel	68	5
35044	WASHER (.281 x .625 x .065) Stainless Steel	8	14	35048	LOCKWASHER (.375)	74	29
35280	WASHER (.255 x .620 x .030) Stainless Steel	10	2	35462	WASHER (.2656 x .625 x .0625) Stainless Steel	68	4
35462	WASHER (.2656 x .625 x .0625) Stainless Steel	70	9	35462	WASHER (.2656 x .625 x .0625) Stainless Steel	70	12
35462	WASHER (.2656 x .625 x .0625) Stainless Steel	72	9	35777	WASHER (.5156 x 1.375 x .125) Aluminum	90	46
36002	COTTER PIN	68	8	36305T	ELBOW	28	24
36305T	ELBOW	40	21	38606	CAPLUG (#10)	90	58
390721	PLUG Pipe (.125-27) Brass	34	9	39131	LOCKWASHER (.437)	18	15
40001195	SCREW (M10 x 30)	78	2	40001197	SCREW (M10 x 35)	80	7
40001213	SCREW (M10x70x10.9)	88	24	4000325	SCREW (M6 x 8)	56	5
4000328	SCREW (M6 x 16)	56	4	40011153	SCREW (M8 x 45) Stainless Steel	8	6
400212	NUT (M6) Stainless Steel	8	5	400213	NUT (M8) Stainless Steel	8	30
4002314	WASHER	54	12	400248	LOCKWASHER (M10)	80	5
40095110	SCREW (M8 x 110)	8	1	40095110	SCREW (M8 x 110)	34	23
40095110	SCREW (M8 x 110)	40	17	4009516	SCREW (M8 x 16)	34	12
4009516	SCREW (M8 x 16)	40	9	4009560	SCREW	18	9
4010516	SCREW (M5 x 16) Stainless Steel	6	16	4010612	SCREW (M6 x 12) Stainless Steel	50	12
4010612	SCREW (M6 x 12) Stainless Steel	50	18	4010612	SCREW (M6 x 12) Stainless Steel	58	7
4010612	SCREW (M6 x 12) Stainless Steel	60	8	4010612	SCREW (M6 x 12) Stainless Steel	60	11
4010616	SCREW (M6 x 16) Stainless Steel	64	14	4010618	SCREW (M6 x 18) Stainless Steel	18	18
4010618	SCREW (M6 x 18) Stainless Steel	50	1	4010625	SCREW (M6 x 25) Stainless Steel	8	17
4010625	SCREW (M6 x 25) Stainless Steel	42	27	4010625	SCREW (M6 x 25) Stainless Steel	50	11
4010716	SCREW (M8 x 16)	8	20	4010720	SCREW (M8 x 20)	56	7
4010725	SCREW (M8 x 25)	20	28	4010725	SCREW (M8 x 25)	64	7
4010735	SCREW (M8 x 35)	56	6	4010816	SCREW (M10 x 16) Hex Flange - Stainless Steel	54	16
4010820	SCREW (M10 x 20) Hex Flange - Stainless Steel	18	5	40125100	NUT (M10)	80	4
401368	NUT (M8) Stainless Steel	8	3	41471	LOCKWASHER (.375)	32	10
41471	LOCKWASHER (.375)	32	13	41802	SEAL Rubber	90	67
42307	WASHER Spherical	90	47	428611	FITTING Pipe - Brass (.750-14) Included in Elbow Assemblies	28	15
428611	FITTING Pipe - Brass (.750-14)	28	25	428611	FITTING Pipe - Brass (.750-14)	34	4
428611	FITTING Pipe - Brass (.750-14)	40	3	42996	SPRING (Stainless Steel) FWC	50	7
44348001	TUBE Exhaust	32	1	45710	O-RING (1.424 x .103)	50	3
45862	SCREW (#10-32 x .875)	10	9	46950	COTTER PIN	64	27
47483	J CLIP	8	31	47651	SCREW (.437-14 x 1.50)	88	3
47651	SCREW (.437-14 x 1.50)	88	19	48409	SCREW (#10-16 x .625) Stainless Steel	74	18

PARTS INDEX

Part No.	Description	Pg.	Ref.no	Part No.	Description	Pg.	Ref.no
53167T	SCREW .312-18X .88	72	5	56720	WASHER (.330 x .750 x .060) Stainless Steel	70	8
56720	WASHER (.330 x .750 x .060) Stainless Steel	72	8	56762	TIE STRAP (4.00 Inches)	84	5
57053	SCREW (.500-20 x 4.500)	90	45	58376	SCREW (.164-18 x .375)	64	21
58491	CHANNEL Rubber (4.00 Inches)	74	31	58640	SCREW (.375-16 x 1.25)	32	9
58643	LOCKWASHER (.375)	8	12	59351	ELBOW 90 Degree	66	36
59784	SCREW (.250-10 x 1.00)	74	25	59784	SCREW (.250-10 x 1.00)	90	60
627021	O-RING (.301 x .070)	36	29	633001	CLAMP	20	25
63341	TEE NUT	70	14	63341	TEE NUT	72	12
648771	DIAPHRAGM	50	6	64878	SPRING (Black) Bravo RWC	50	7
65292	J CLIP	50	13	65567	WASHER (.265 x .750 x .048) Stainless Steel	10	16
65567	WASHER (.265 x .750 x .048) Stainless Steel	20	17	657461	SCREW AND LOCKWASHER (.250-20 x .625)	68	15
657461	SCREW AND LOCKWASHER (.250-20 x .625)	70	23	657461	SCREW AND LOCKWASHER (.250-20 x .625)	72	17
668631	SCREW (.375-16 x 2.500)	28	12	68219	NUT (#10-32) Stainless Steel	6	15
68219	NUT (#10-32) Stainless Steel	10	11	68219	NUT (#10-32) Stainless Steel	48	41
68219	NUT (#10-32) Stainless Steel	84	2	68292	NUT (.312-18)	74	28
68402	PIN (.250 x 1.13) Clevis	72	15	69035	SCREW AND LOCKWASHER (.250-20 x .625) Stainless Steel	72	17
69067	SCREW (.250-20 x 1.375)	84	12	69355	TIE STRAP (5.50 Inches)	64	23
69570	SCREW (#10-16 x .750)	50	10	71587A10	RECOVERY KIT Coolant	46	36
71587A11	BOTTLE Plastic	46	37	72058	CAP	46	38
72554	DECAL Circuit Breaker	10	10	72761	WASHER (.203 x .562 x .060) Stainless Steel	64	20
73379	PLUG (.250-18) Included in Elbow Assemblies	28	14	73379	PLUG (.250-18)	34	2
73379	PLUG (.250-18)	42	9	74036	FITTING Grease	80	NS
74036	FITTING Grease	88	2	74036	FITTING Grease	88	42
76451	WASHER	50	8	76596	SCREW (.250-20 x 1.250)	80	9
76926	SCREW (.375-16 x .875)	90	44	772234	PAD	42	26
78945	J CLAMP	54	15	79023T10	FUSE ASSEMBLY 110 Ampere	74	19
79138A9	CABLE ASSEMBLY (6.00 Feet) Black-Negative	74	8	79139A12	CABLE ASSEMBLY Red-Positive	74	23
79147A09	HARNES ASSEMBLY	74	5	79968	SCREW (#12-11 x .750)	54	19
803852	COUPLING	76	11	805159	SCREW (.437-20 x 1.500)	90	49
806232	O-RING (.239 x .064)	64	28	806426T	COOLER Engine Oil	42	24
806608A02	PLUG ASSEMBLY (.500-13) Blue	34	17	806608A02	PLUG ASSEMBLY (.500-13) Blue	40	12
806608A02	PLUG ASSEMBLY (.500-13) Blue	46	15	806608A02	PLUG ASSEMBLY (.500-13) Blue	52	2
806608A02	PLUG ASSEMBLY (.500-13) Blue	54	2	806608A02	PLUG ASSEMBLY (.500-13) Blue	56	16
806681	SCREW (.375-16 x .875)	88	25	8067271	CAP Drive Lube Monitor	64	19
806871	GASKET	4	-	806871	GASKET	4	-
806871	GASKET	34	15	807075A1	COVER	46	10
807130A4	PIPE Exhaust	32	6	8071341	SEAL	46	9
807166A1	SHUTTER ASSEMBLY Water	32	7	807167	GROMMET	32	8
807260A2	COVER KIT Flywheel	80	18	807661	HOSE Transom to Cooler	36	35
808023	STRAP Retaining	46	33	808728T	ADAPTER ASSEMBLY	76	10
812498A1	VALVE KIT Relief	76	NS	812499A1	VALVE KIT Relief	76	NS
812619	FUSE Yellow - 20 Ampere	74	6	813995A1	GUIDE ASSEMBLY Spring	70	22
814001	PIN Clevis	70	15	814309A1	HOUSING ASSEMBLY	88	21
814634	CLAMP	62	5	8148791	CAP Pressure	46	6
815504105	CLAMP Worm Gear (11-18 mm)	14	27	815504105	CLAMP Worm Gear (11-18 mm)	20	18
815504105	CLAMP Worm Gear (11-18 mm)	34	20	815504105	CLAMP Worm Gear (11-18 mm)	46	24
815504105	CLAMP Worm Gear (11-18 mm)	64	33	815504210	CLAMP Worm Gear	36	26
815504210	CLAMP Worm Gear	66	39	815504210	CLAMP Worm Gear	90	69
815504210	CLAMP Worm Gear	90	74	815504212	CLAMP Worm Gear	36	8
815504212	CLAMP Worm Gear	38	13	815504212	CLAMP Worm Gear	42	13
815504212	CLAMP Worm Gear	44	14	815504216	CLAMP Worm Gear (1.56 Diameter)	34	22
815504216	CLAMP Worm Gear (1.56 Diameter)	36	2	815504216	CLAMP Worm Gear (1.56 Diameter)	40	16
815504216	CLAMP Worm Gear (1.56 Diameter)	42	2	815504220	CLAMP Worm Gear	36	37
815504220	CLAMP Worm Gear	38	10	815504222	CLAMP Worm Gear (1.98 Diameter)	36	10
815504222	CLAMP Worm Gear (1.98 Diameter)	38	2	815504222	CLAMP Worm Gear (1.98 Diameter)	40	25
815504222	CLAMP Worm Gear (1.98 Diameter)	42	34	815504222	CLAMP Worm Gear (1.98 Diameter)	44	2
815504222	CLAMP Worm Gear (1.98 Diameter)	44	8	815504222	CLAMP Worm Gear (1.98 Diameter)	46	27
815504222	CLAMP Worm Gear (1.98 Diameter)	90	55	815504224	CLAMP Worm Gear	40	23
815504226	CLAMP Worm Gear	36	4	815504228	CLAMP Worm Gear	38	8
815504228	CLAMP Worm Gear	46	13	815504232	CLAMP Worm Gear (2.50 Diameter)	36	19

PARTS INDEX

Part No.	Description	Pg.	Ref.no	Part No.	Description	Pg.	Ref.no
815504232	CLAMP Worm Gear (2.50 Diameter)	40	19	815504244	CLAMP Worm Gear	20	34
815504272	CLAMP Worm Gear	32	2	815504272	CLAMP Worm Gear	32	4
816311	TIE STRAP (8.00 Inches)	10	NS	816311	TIE STRAP (8.00 Inches)	66	37
816311T	TIE STRAP (8.00 Inches)	90	53	816585	SCREW (.312-18 x .875)	50	15
817415T	SHAFT Input	88	40	817416A4	HOUSING ASSEMBLY Bearing	88	33
817417T	SPACER	88	35	8175051	SCREW (.250-20 x .625)	52	4
8175051	SCREW (.250-20 x .625)	54	6	818718A3	COVER KIT Flywheel Inspection	88	29
81893414	SCREW (M8 x 14)	20	11	82104520	SCREW (M5 x 20)	48	42
82104520	SCREW (M5 x 20)	84	3	82130025	SCREW (M6 x 25)	8	8
823444	SCREW	76	9	826365	NUT (M8)	8	32
82670812	NUT (.375-16)	46	29	82670815	NUT (.437-20)	90	50
826709106	NUT (#10-32) Stainless Steel	10	12	826709109	NUT (.250-28) Stainless Steel	68	3
826709113	NUT (.375-24) Stainless Steel	68	13	82670912	NUT (.375-16) Stainless Steel	88	7
8267118	NUT (.250-20)	8	16	828054	COVER Fuse	74	7
828249	GROMMET	6	3	830749	SEAL	4	-
830749	SEAL	4	-	830749	SEAL	4	-
830796A1	CONNECTOR ASSEMBLY	40	6	834985	GROMMET	10	15
841897T	RING Retaining	88	18	849947T01	LIFTER	12	19
852368	SCREW (#10-24 x .750)	70	29	852368	SCREW (#10-24 x .750)	72	25
85593912	SCREW (M6 x 12)	46	19	856156T04	SWITCH	64	22
856954	BUSHING	10	14	859092	FITTING To Fuel Regulator	24	5
859126	NUT (.750-16)	78	3	859126	NUT (.750-16)	88	13
86015	GASKET Flywheel Inspection Cover	88	30	861163	QUICK CONNECTOR (90 Degree)	90	73
861406	SOCKET	38	15	861406	SOCKET	44	16
861427	CAP	38	16	861427	CAP	44	17
861523A9	COUPLER ASSEMBLY Engine - Short Aluminum Hub	80	14	861577	STUD Double Ended Metric (M10)	80	6
861578	PULLEY	64	6	861680	INSULATOR	74	17
861776A2	PLATE KIT	32	11	861776A2	PLATE KIT	90	63
861788	SCREW (M10 x 1.5)	8	26	862040	SEAL	56	14
862225	FITTING	36	28	862232A2	IMPELLER	56	9
862235A1	DRIVESHAFT ASSEMBLY	56	11	862268T1	TUBE	90	65
862268T2	TUBE	90	66	862548A1	BRACKET KIT Floor Or Transom Mounted	74	24
862603	FITTING	36	30	862994T	FITTING	28	22
862994T	FITTING	42	12	863053T	MANIFOLD ASSEMBLY	54	10
863057	PUMP Air	54	20	863129	BALL	28	21
863129	BALL	42	10	863132	SPACER	68	14
863133	SPACER	68	10	86322A15	CABLE ASSEMBLY (5.50 Inches) Black	74	9
86322A24	CABLE ASSEMBLY (4.00 Inches)	74	13	863393	CLAMP	24	12
863464	FITTING	42	16	863467	FITTING Orange Air Valve	54	4
863480	SCREW (.375-16 x 1.125)	80	15	863485	FITTING	58	2
863485	FITTING	60	2	863499	FITTING Gray Air Valve	54	5
863741	E-RING	52	11	863802T2	HOUSING Water Distribution	54	1
863839	COVER	52	5	863864	BEARING Pilot	88	23
864493	THERMOSTAT 77°C (170°F)	46	8	864689	PLUG Expansion	28	2
864689	PLUG Expansion Included in Elbow Assemblies	28	16	864701	O-RING (1.112 x .103)	28	20
864701	O-RING (1.112 x .103)	42	11	864708	COVER End	46	2
864727	FITTING Y, (3) 1-1/4 In. OD Hose Barbs	38	3	864727	FITTING Y, (3) 1-1/4 In. OD Hose Barbs	44	3
864727	FITTING Y, (3) 1-1/4 In. OD Hose Barbs	44	6	864887	SCREW (M5)	54	13
864907T	SPRING	70	4	865147	SCREW (#6-32 x .750) Stainless Steel	70	19
865147	SCREW (#6-32 x .750) Stainless Steel	70	21	865147T01	SCREW (#6-32 x .750) Stainless Steel	72	19
865148	SHOULDER SCREW (.312-18 x 1.843) Stainless Steel	70	5	865148	SHOULDER SCREW (.312-18 x 1.843) Stainless Steel	70	17
865148	SHOULDER SCREW (.312-18 x 1.843) Stainless Steel	72	14	865149A02	STUD With Cotter Pin	70	2
865154A02	STUD KIT (.250-20/.250-28 x 2.120) (Included in Bracket Kit)	70	26	865154A02	STUD KIT (.250-20/.250-28 x 2.120) With Cotter Pin	72	2
865181T01	HARNES ASSEMBLY Mercathode	84	9	865191	FITTING Male	90	72
865324	QUICK CONNECT	38	5	865324	QUICK CONNECT	44	5
865324	QUICK CONNECT	90	54	865362	QUICK CONNECT Replace if Adding Flush Kit	38	6
865362	QUICK CONNECT	90	57	865379	FITTING Female To Transom	66	38
865379	FITTING Female	90	71	865380A13	PUMP/MOTOR ASSEMBLY Trim - 12 Volt	74	2

PARTS INDEX

Part No.	Description	Pg.	Ref.no	Part No.	Description	Pg.	Ref.no
865380A13	PUMP/MOTOR ASSEMBLY Trim - 12 Volt	76	1	865380A25	PUMP ASSEMBLY Trim - Complete	74	1
865390015	HOSE Male Quick Connect Cylinder to Cooler	64	32	865390134	HOSE Male Quick Connect (Fittings on One End)	90	52
865393A02	STUD KIT (.250-28 x 1.90) With Cotter Pin	70	13	865393A02	STUD KIT (.250-28 x 1.90) With Cotter Pin	72	11
865412001	FITTING Stainless Steel	74	4	865412001	FITTING Stainless Steel Male Quick Connect	76	7
865413002	FITTING Stainless Steel	74	3	865413002	FITTING Stainless Steel Female Quick Connect	76	5
865414001	FITTING	64	31	865414001	FITTING PS Pressure	90	77
865415	FITTING	64	30	865415	FITTING PS Return	90	76
865433A02	LEVER ASSEMBLY Actuator, With Cotter Pin	70	3	865434A02	RETAINER KIT Shift Cable, With Cotter Pin	72	3
865448A01	CAP Oil Reservoir	76	17	865470	HOUSING Inlet	38	7
865470	HOUSING Inlet	44	9	865597T	TENSIONER Belt	18	3
865655	SCREW (.250-20 x .500)	74	11	865777	PULLEY	18	6
86606	BOOT Insulator - Black	6	17	86606	BOOT Insulator - Black	48	43
86606	BOOT Insulator - Black	84	6	866340K01	FILTER Oil - Mercury Brand	4	-
866340K01	FILTER Oil - Mercury Brand	4	-	866340K01	FILTER Oil - Mercury Brand	4	-
866340K01	FILTER Oil - Mercury Brand	58	3	866340K01	FILTER Oil - Mercury Brand	60	3
866340Q03	FILTER Oil - Quicksilver Brand	58	3	866340Q03	FILTER Oil - Quicksilver Brand	60	3
866689	HOSE Female Quick Connect (Fittings on Both Ends)	90	51	866725	FITTING Straight (.750-14)	28	18
866725	FITTING Straight (.750-14)	28	18	866725	FITTING Straight (.750-14)	28	26
866725	FITTING Straight (.750-14)	34	5	866725	FITTING Straight (.750-14)	40	4
866725	FITTING Straight (.750-14)	42	3	879194A03	GIMBAL BEARING KIT	88	17
879194T46	SHIFT ACTUATOR	68	2	879288A34	ELBOW KIT Intermediate	32	3
879288A35	ELBOW KIT Intermediate	32	3	879288A36	ELBOW KIT Intermediate	32	3
879288A37	ELBOW KIT Intermediate	32	3	879288A38	ELBOW KIT Intermediate	32	3
879962	CLIP	20	14	881184	CIRCLIP	16	4
881879010	SENSOR Pressure	64	35	883166A2	RESERVOIR KIT	76	16
883167	SCREW (#8-32)	76	4	88388	O-RING	84	13
88441430	SCREW (M10 x 30)	18	2	885342002	SENSOR ASSEMBLY	28	17
885342002	SENSOR ASSEMBLY	34	6	885342002	SENSOR ASSEMBLY	40	5
88552512	SCREW (M6 x 12 MM) Stainless Steel	24	3	88552514	SCREW (M6 x 14 MM) Stainless Steel	20	24
88552516	SCREW (M6 x 16 MM) Stainless Steel	20	33	88552516	SCREW (M6 x 16 MM) Stainless Steel	24	8
88552520	SCREW (M6 x 20 MM) Stainless Steel	26	5	88552525	SCREW (M6 x 25 MM) Stainless Steel	10	17
88552525	SCREW (M6 x 25 MM) Stainless Steel	20	22	88552550	SCREW (M6 x 50 MM) Stainless Steel	24	11
88552616	SCREW (M8 x 16)	20	20	88552616	SCREW (M8 x 16)	56	21
88552616	SCREW (M8 x 16)	64	15	88552630	SCREW (M8 x 30)	18	4
88552635	SCREW (M8 x 35 MM)	68	6	88552645	SCREW (M8X45)	24	9
88552655	SCREW (M8 x 55)	68	1	888416T04	HARNESS ASSEMBLY DTS, Clean Power, 15 Feet	82	-
888913001	POPPET	50	16	891736T	MOTOR ASSEMBLY Complete	76	2
891737	BRUSH KIT	76	NS	891868	O-RING	76	6
891868	O-RING	76	8	892086035	SCREW (M10 x 35)	56	19
892454010	SCREW (M6 x 10)	6	7	892454010	SCREW (M6 x 10) RWC Cover Bracket	34	19
892454010	SCREW (M6 x 10)	52	9	892454035	BOLT (M6 x 36)	46	21
892608	BOARD ASSEMBLY Circuit - Radio Frequency Interference Filter	76	3	89302	WASHER (.203 x .406 x .040)	70	28
89302	WASHER (.203 x .406 x .040)	72	24	89496	FILTER	76	14
89498	O-RING Motor End	76	12	896699	O-RING (1.78 mm x .08 mm)	34	7
896699	O-RING (1.78 mm x .08 mm)	40	7	897445501	SCREW (M6 x 20 MM)	10	1
897722	FITTING Straight Crankcase Vent Valve (PCV)	24	4	89879	O-RING (.301 x .064)	64	10
89879	O-RING (.301 x .064)	64	29	898832	NUT (.500-20)	90	48
899145	CLIP Tie Strap	8	33	899145	CLIP Tie Strap	10	5
899145	CLIP Tie Strap	54	14	89919	BOOT Insulator - Black	10	13
8M0029252	STUD	46	7	8M0032206	HOUSING Alpha RWC	50	4
8M0032643	HOUSING Bravo RWC	50	4	8M0032688	MOUNT Rubber	80	2
8M0036759	COVER	50	9	8M0037209	GROMMET FSM Retainer	20	13
8M0039163	O-RING (3/8 x 1/8)	46	3	8M0040618	HOSE 62 Inch Bulk	90	70
8M0040618	HOSE 62 Inch Bulk (Cut to Length)	90	75	8M0042965	DECAL CARB 4 Star	6	NS
8M0043174	O-RING	26	2	8M0043463	LINE ASSEMBLY Fuel Filter to Fuel Module	20	23
8M0043703	DECAL M-Icon, 66 MM, Black	6	8	8M0044601	O-RING	26	4
8M0044726	VALVE ASSEMBLY	20	4	8M0044991	IGNITION COIL Ignition Dual Output	8	18
8M0045238	FLAME ARRESTOR Metal Flange	24	13	8M0046080	RESERVOIR ASSEMBLY Oil, Power Steering	64	2
8M0046157	BRACKET Air Pump	54	18	8M0046460	THROTTLE BODY ASSEMBLY	24	10

PARTS INDEX

Part No.	Description	Pg.	Ref.no	Part No.	Description	Pg.	Ref.no
8M0046566	CAP	20	5	8M0046566	CAP	54	11
8M0047995	PLUG (18 MM)	12	3	8M0047996	PLUG (24 MM)	12	7
8M0048146	PLUG (10MM)	12	2	8M0050237	CAP Oil Reservoir - Black	64	1
8M0053725	FSM BOTTOM HOUSING	22	19	8M0053726	FSM TOP HOUSING	22	2
8M0053727	FSM CAP	22	9	8M0053734	TUBE Water	22	17
8M0053735	TUBE Fuel	22	14	8M0053749	REGULATOR ASSEMBLY	22	4
8M0053755	TUBE Suction	22	15	8M0053756	SCREW Plastite W/ HX WSR HD	22	1
8M0057676	FUEL SUPPLY MODULE Dual Pump	20	21	8M0057676	FUEL SUPPLY MODULE Dual Pump	22	-
8M0057679	FSM SEAL KIT	22	-	8M0057697	CUBE RELAY	10	4
8M0058586	PIN Dowel	12	32	8M0059425	BRACKET	20	27
8M0059679	BALL SEAT Rubber	28	23	8M0060041	FILTER Fuel	20	30
8M0060271	CABLE ASSEMBLY	84	4	8M0062603	TUBE (2440 MM) Cut to Length	54	9
8M0062634	HOSE 44.00 inch Bulk (Cut to Length)	90	62	8M0062635	HOSE 42.00 inch Bulk	38	14
8M0062653	HOSE (4 Inches)	44	1	8M0062666	HOSE (96.00 Inches Bulk) Cut to Length	38	1
8M0062666	HOSE (96.00 Inches Bulk) Cut to Length	38	4	8M0062666	HOSE (96.00 Inches Bulk) (Cut to Length)	44	1
8M0062666	HOSE (96.00 Inches Bulk) (Cut to Length)	44	4	8M0062666	HOSE (96.00 Inches Bulk) (Cut to Length)	44	7
8M0062666	HOSE (96.00 Inches Bulk)	90	56	8M0062770	PUMP ASSY High Pressure	22	12
8M0062771	PUMP ASSY Low Pressure	22	11	8M0062950	FILTER ASSEMBLY	20	29
8M0063382	CYLINDER ASSEMBLY Power Steering	64	24	8M0064457	SCREW	16	6
8M0068619	PIN Dowel	12	27	8M0068620	KEY	12	28
8M0068763	PIN Dowel	12	21	8M0068783	ALIGNMENT BAR	14	8
8M0069612	SCREW	14	4	8M0069613	GROMMET	14	2
8M0069616	SEAL	14	5	8M0069696	GASKET	18	28
8M0070507	GROMMET	14	3	8M0072630	SPRING	70	25
8M0072630	SPRING	72	22	8M0073879	CAP	34	13
8M0073900	HOSE Crossover to Starboard Manifold	40	14	8M0074181	LIFTER GUIDE	12	18
8M0074361	VALVE Intake	14	11	8M0074362	VALVE Exhaust	14	10
8M0074363	CAP	46	23	8M0074363	CAP	64	NS
8M0074364	CAP	34	21	8M0074364	CAP	36	1
8M0074364	CAP	38	11	8M0074364	CAP	40	15
8M0074364	CAP	42	1	8M0074364	CAP	46	12
8M0074767	BELT	18	29	8M0074832	SCREW (M10 x 1.5 x 49)	14	20
8M0074833	SCREW (M10 x 1.5 x 86)	14	19	8M0074880	GASKET Design I	56	10
8M0074941	PULLEY	56	20	8M0074979	HUB	56	15
8M0075090	BRACKET	56	1	8M0075305	TUBE Oil	26	3
8M0076059	INSULATOR Hot Stud	8	37	8M0076210	RETAINER	14	16
8M0076211	LOCK Valve Stem	14	17	8M0076268	COVER ASSEMBLY Sea Pump Design I	56	22
8M0076338	RETAINER	12	12	8M0076339	DOWEL PIN	12	10
8M0076509	SCREW (.4375 x 20)	80	16	8M0077292	HOSE Oil Pump to Reservoir	64	5
8M0077293	HOSE Oil Reservoir to Cooler	64	12	8M0077562	TUBE (2440 MM) Cut to Length	54	17
8M0077643	HOT STUD ASSEMBLY	8	7	8M0078393	HOSE	36	36
8M0078403	CAP	40	10	8M0078533	GASKET	24	6
8M0078557	HOSE Connects to Lower Poppet Valve	36	7	8M0078725	HOSE Connects to Upper Poppet Valve	36	6
8M0078827	HOSE Manifold to Heat Exchanger	42	35	8M0078831	HOSE Exchanger to Crossover	40	24
8M0078904	LEVER ASSEMBLY Shift	70	11	8M0079045	RETAINER	12	22
8M0079046	SCREW	12	23	8M0079104	SHIFT ARM	68	7
8M0079167	GASKET	4	-	8M0079167	GASKET	4	-
8M0079167	GASKET	34	14	8M0079167	GASKET	40	11
8M0079283	SCREW (M10 x 1.50 x 86) (10.9 Grade)	12	31	8M0079424	DRIVER Oil Pump	62	11
8M0079605	SCREW (M10 x 1.5 x 59)	62	8	8M0079718	HOSE ASSEMBLY Pump to Cylinder	64	9
8M0079961	BRACKET Water Drain Actuator	52	8	8M0079975	HOSE ASSEMBLY Pump to Cylinder	64	9
8M0080036	HOSE ASSEMBLY Bottle to Transom	64	13	8M0080292	SCREW (M10 x 1.5)	12	16
8M0080334	OPERATION MANUAL 4.5L MPI	2	-	8M0080335	INSTALLATION MANUAL	2	-
8M0080338	SERVICE MANUAL 4.5L MPI	2	-	8M0080675	HOSE Distribution Housing to Drain Fitting	36	24
8M0080748	HOSE Starboard Drain Fitting	36	27	8M0081037	BRACKET Air Actuator	46	30
8M0081140	BRACKET	50	14	8M0081260	SCREW M12 x 1.75 Oil Drain	62	2
8M0081278	FUEL RAIL Port	20	7	8M0081279	FUEL RAIL Starboard Design I	20	3
8M0081450	SCREW (.312-18 x 1.34)	18	27	8M0081836	SEAL	34	3
8M0081836	SEAL	40	2	8M0082180	HOSE T Fitting to Elbow	42	14
8M0082181	HOSE	42	6	8M0082256	SCREW (M6 x 1)	42	28
8M0082282	SCREW (M8 x 1.25)	62	6	8M0082286	HOSE Steering Cooler to Y Fitting	36	11

PARTS INDEX

Part No.	Description	Pg.	Ref.no	Part No.	Description	Pg.	Ref.no
8M0082286	HOSE Steering Cooler to Y Fitting	42	19	8M0082321	FITTING (90 Degree)	56	2
8M0082322	FITTING Orange (90 Degree)	56	3	8M0082363	PLUG Included in Elbow Assemblies	28	10
8M0082389	DRAIN ROD ASSEMBLY	52	10	8M0082410	GASKET	62	3
8M0082419	GASKET	18	10	8M0082947	WASHER	18	16
8M0083431	CLAMP	64	3	8M0083541	SCREW (M10 x 16)	8	21
8M0083541	SCREW (M10 x 16) Port Lifting Eye	14	23	8M0083541	SCREW (M10 x 16) Starboard Lifting Eye	14	23
8M0083541	SCREW (M10 x 16) Alignment Eye	14	23	8M0083541	SCREW (M10 x 16)	20	32
8M0083541	SCREW (M10 x 16) To Block	52	7	8M0083541	SCREW (M10 x 16) To Block	54	8
8M0083541	SCREW (M10 x 16)	58	5	8M0083541	SCREW (M10 x 16)	60	5
8M0084147	INSULATOR	8	4	8M0084884	SEAL	46	5
8M0085007	HOSE Balance	20	1	8M0085340	DECAL 250 Hp	6	13
8M0085341	DECAL Chrome	6	13	8M0085343	DECAL Rear Center Cover	6	10
8M0085344	DECAL Rear Center Cover	6	10	8M0085345	DECAL Center Cover 4.5L	6	9
8M0085346	DECAL Center Cover 4.5L	6	9	8M0085349	DECAL Emissions Control Technology	6	NS
8M0085355	DECAL Specifications Alpha	6	12	8M0085356	DECAL Specifications Bravo	6	12
8M0085360	DECAL Remove Cover	6	NS	8M0085370	DECAL Specifications	6	12
8M0085530	SCREW (M6 x 12)	12	13	8M0085692	MERCATHODE SYSTEM	84	8
8M0085864	FITTING	34	10	8M0085864	FITTING	46	26
8M0085910	HOSE Distribution Housing to Heat Exchanger	46	28	8M0086279	SCREW (M6)	36	18
8M0086279	SCREW (M6)	42	32	8M0086328	HOSE Fuel Supply Module to Fuel Rail	20	12
8M0086334	HOSE Fuel Regulator to Induction Plenum	20	6	8M0086354	STUD (M8 x 1.25)	18	8
8M0086453	BRACKET	20	16	8M0086594	HOSE Fuel Module to Heat Exchanger	46	25
8M0086839	CAP	20	31	8M0086911	HOSE Drain Fitting	36	33
8M0086924	HOSE Y Fitting to Drain Fitting	36	13	8M0086961	HOSE Port Drain to Drain Fitting	36	9
8M0087038	HOSE Strainer to Distribution Housing	36	21	8M0087038	HOSE	42	33
8M0087147	SPACER	80	3	8M0087229	SCREW (M6)	12	17
8M0087261	HOSE Drain Fitting to Strainer	36	15	8M0087404	HOSE Fuel Module to Water Strainer	20	19
8M0087842	SCREW M8	62	4	8M0087853	NUT (.750-16)	78	5
8M0087853	NUT (.750-16) Jam	88	11	8M0087881	BELT Serpentine	4	-
8M0087881	BELT	18	29	8M0088265	STRAP	64	17
8M0088717	HOSE ASSEMBLY To Fuel Tank	20	26	8M0088736	HOSE Crossover to Thermostat Housing	40	20
8M0088806	HOSE Thermostat to Exchanger	46	14	8M0088868	HOSE Crossover to Port Manifold	36	32
8M0088876	BELT	18	29	8M0088893	FITTING Drain	36	14
8M0088963	HOSE 26 Inch	44	15	8M0089000	HOSE Y Fitting to Cooler	42	22
8M0089002	HOSE Cooler to Strainer	42	29	8M0089455	NUT	8	10
8M0089504	HOSE KIT FWC (6 Inch Riser)	86	-	8M0089505	FLUSH KIT	38	NS
8M0089505	FLUSH KIT	86	-	8M0089506	JACKSHAFT KIT Jackshaft Kit	88	-
8M0089559	HOUSING FWC	50	4	8M0089715	THERMOSTAT 60 Degree C (140 Degree F)	4	-
8M0089715	THERMOSTAT 60 Degree C (140 Degree F)	4	-	8M0089715	THERMOSTAT 60 Degree C (140 Degree F)	34	16
8M0089907	DECAL Steering Fluid	64	NS	8M0090099	HOSE Exhaust Manifold to Drain Fitting	36	31
8M0090430	HOSE FSM to Crossover	34	8	8M0090499	SCREW (M8 x 23.5)	62	15
8M0090535	NUT (M10 Flange)	56	18	8M0091592	BRACKET Starboard Front Alignment Eye	14	25
8M0091668	PLATE Relief Valve	50	17	8M0091684	BRACKET Port Front Lifting Eye	14	NS
8M0091873	LINE Oil (Brackets attached on both ends)	58	8	8M0091874	LINE Oil	58	6
8M0091874	LINE Oil Filter to Block	60	6	8M0091906	LINE Oil Block to Cooler	60	12
8M0091907	LINE Oil Cooler to Filter	60	9	8M0092110	PIN Dowel	80	8
8M0093699	WASHER Special	78	4	8M0094253	HOSE Crossover to Port Manifold	40	22
8M0094644	HOSE Exchanger to Poppet Valve	46	34	8M0094680	ELBOW ASSEMBLY 2 Inch Riser (Includes Port & Starboard)	28	7
8M0094681	ELBOW ASSEMBLY 4 Inch Riser (Includes Port & Starboard)	28	7	8M0094682	ELBOW ASSEMBLY 6 Inch Riser (Includes Port & Starboard)	28	7
8M0095073	CAP Oil	26	1	8M0095135	DIPSTICK TUBE	62	13
8M0095331	DIPSTICK	62	12	8M0095398	BRACKET Heat Exchanger	46	31
8M0095427	BRACKET Heat Exchanger	46	20	8M0095436	PUMP ASSEMBLY Circulating	18	11
8M0095437	HARMONIC BALANCER	18	17	8M0095438	PULLEY	18	14
8M0095439	HOUSING ASSEMBLY Flywheel	80	1	8M0095440	BRACKET Starboard Rear Lifting Eye	14	24
8M0095441	BRACKET Steering Pump	18	1	8M0095442	MOUNT Engine	78	1
8M0095444	BRACKET Water Distribution Housing	52	6	8M0095444	BRACKET Water Distribution Housing	54	7
8M0095445	VALVE ASSEMBLY Poppet Alpha RWC	50	-	8M0095446	VALVE ASSEMBLY Poppet Bravo RWC	50	-
8M0095454	SPARK PLUG	4	-	8M0095454	SPARK PLUG	4	--
8M0095454	SPARK PLUG	8	35	8M0095455	BRACKET	6	6

PARTS INDEX

Part No.	Description	Pg.	Ref.no	Part No.	Description	Pg.	Ref.no
8M0095456	COVER	6	4	8M0095457	STRAINER ASSEMBLY	36	16
8M0095457	STRAINER ASSEMBLY	42	30	8M0095458	PULLEY	18	30
8M0095459	VALVE ASSEMBLY Poppet FWC	50	-	8M0095460	BRACKET	46	22
8M0095461	PULLEY	18	30	8M0095463	HEAT EXCHANGER ASSEMBLY	46	1
8M0095464	DECAL SET	46	35	8M0095465	PUMP ASSEMBLY Sea Water	56	-
8M0095466	MANIFOLD ASSEMBLY Exhaust Port	28	1	8M0095467	MANIFOLD ASSEMBLY Exhaust Starboard	28	1
8M0095468	SENSOR O2	30	27	8M0095469	CATALYST	28	5
8M0095470	BRACKET	20	15	8M0095471	STARTER ASSEMBLY	8	27
8M0095472	ALTERNATOR ASSEMBLY	8	2	8M0095473	BRACKET Coil	8	25
8M0095474	BRACKET Coil	8	23	8M0095475	CABLE KIT Ignition	8	36
8M0095476	BRACKET Electrical	10	6	8M0095477	WIRING HARNESS Engine DTS	82	-
8M0095478	WIRING HARNESS Engine Mechanical	82	-	8M0095479	LUBE BOTTLE ASSEMBLY	64	18
8M0095480	BRACKET	42	25	8M0095481	PUMP ASSEMBLY .75 Shaft Diameter	64	8
8M0095482	COOLER Power Steering	64	34	8M0095483	COVER Intake	6	2
8M0095484	COVER Engine	6	1	8M0095517	Longblock ASSEMBLY	12	-
8M0095517	Longblock ASSEMBLY	14	-	8M0095517	Longblock ASSEMBLY	62	-
8M0095575	SWITCH ASSEMBLY Shift Anticipate	70	18	8M0095576	HARNESS ASSEMBLY Demand Sensor	70	27
8M0095576	HARNESS ASSEMBLY Demand Sensor	72	23	8M0095577	SWITCH ASSEMBLY Neutral	70	20
8M0095577	SWITCH ASSEMBLY Neutral	72	18	8M0095577	SWITCH ASSEMBLY Neutral	82	-
8M0095579	HARNESS ASSEMBLY Transom	8	NS	8M0095579	HARNESS ASSEMBLY Transom	82	-
8M0095693	ELBOW ASSEMBLY No Rise Starboard	28	7	8M0095694	ELBOW ASSEMBLY No Rise Port	28	7
8M0095698	FITTING KIT Hot Water	86	-	8M0095754	PARTS MANUAL 4.5L MPI Alpha/Bravo	2	-
8M0095757	BRACKET	64	16	8M0095758	HOSE Manifold to Heat Exchanger	42	36
8M0095916	BEARING SET Main	12	29	8M0095917	BEARING SET Thrust	12	30
8M0095918	CRANKSHAFT ASSEMBLY	12	26	8M0095919	PISTON ASSEMBLY	16	1
8M0095920	RING SET Piston Standard	16	2	8M0095921	CONNECTING ROD ASSEMBLY	16	5
8M0095922	CAMSHAFT ASSEMBLY	12	20	8M0095925	CYLINDER HEAD ASSEMBLY	14	9
8M0095926	ROCKER ARM	14	7	8M0095933	COVER ASSEMBLY Rocker	14	1
8M0095939	BALANCE SHAFT	12	9	8M0095940	GEAR	12	14
8M0095942	TIMING CHAIN SET	18	-	8M0095943	RELUCTOR WHEEL	18	23
8M0095944	COVER ASSEMBLY Timing	18	21	8M0095945	SENSOR Crankshaft Position	18	198
8M0095946	FLYWHEEL ASSEMBLY	80	17	8M0095947	PUMP ASSEMBLY Oil	62	7
8M0095948	PAN Oil	62	1	8M0095949	BRACKET	68	12
8M0095950	LEVER ASSEMBLY Shift	72	13	8M0095953	FITTING ASSEMBLY	28	19
8M0095979	HARNESS Power	8	NS	8M0095979	HARNESS Power Alternator	82	-
8M0095980	HARNESS Ground	8	NS	8M0095980	HARNESS Ground Alternator	82	-
8M0095981	HARNESS Excitation Alternator	82	-	8M0095983	HOUSING Remote Oil Filter	58	1
8M0095983	HOUSING Remote Oil Filter	60	1	8M0095988	PAD Heat Exchanger	46	17
8M0096073	PAD Heat Exchanger Bracket	46	18	8M0096078	PAD Heat Exchanger Bracket	46	32
8M0096213	HOSE (.375 ID x .62)	14	30	8M0096302	GROMMET	10	7
8M0096310	HARNESS Mercathode 3 Wire	6	NS	8M0096310	HARNESS Mercathode 3 Wire	48	NS
8M0096310	HARNESS Mercathode Engine Harness to Mercathode	82	-	8M0096310	HARNESS Mercathode	84	7
8M0096701	HOSE KIT RWC (6 Inch Riser)	86	-	8M0096749	BEARING SET Camshaft	12	24
8M0096924	MANIFOLD ASSEMBLY Intake	24	1	8M0097162	BRACKET KIT Shift	70	1
8M0097162	BRACKET KIT Shift	72	1	8M0097162	BRACKET KIT	90	59
8M0097176	PCM Propulsion Control Module	10	3	8M0097177	PCM Propulsion Control Module	10	3
8M0097178	PCM Propulsion Control Module	10	3	8M0097179	PCM Propulsion Control Module	10	3
8M0097180	PCM Propulsion Control Module	10	3	8M0097181	PCM Propulsion Control Module	10	3
8M0097249	COVER	36	17	8M0097249	COVER	42	31
8M0097283	WASHER Copper Included in Elbow Assemblies	28	11	8M0097728	BELT Serpentine	4	-
8M0097732	STUD (M10x1.5x55)	56	17	8M0098506	BEARING	16	7
8M0099057	CROSSOVER	34	1	8M0099058	CROSSOVER	40	1
8M0100517	MERCATHODE CONTROLLER MerCathode	6	-	8M0100517	MERCATHODE CONTROLLER MerCathode	46	-
8M0100517	MERCATHODE CONTROLLER MerCathode Controller with Hardware Only	84	1	8M0101224	HOUSING Water Distribution	52	1
8M0101621	THROTTLE ARM ASSEMBLY	70	24	8M0101621	THROTTLE ARM ASSEMBLY	72	21
8M0103048	CLAMP	24	12	8M0104328	PCM Propulsion Control Module	10	3
8M0104329	PCM Propulsion Control Module	10	3	8M0104773	MOUNT ASSEMBLY	78	6
8M0104773	MOUNT ASSEMBLY	88	10	8M0104774	MOUNT ASSEMBLY	78	7
8M0106012	SCREW (M6 x 1-12)	8	24	8M0106012	SCREW (M6 x 1-12)	62	14

PARTS INDEX

Part No.	Description	Pg.	Ref.no	Part No.	Description	Pg.	Ref.no
8M0106030	SCREW (M6 x 1-30)	18	20	8M0107045	FITTING Y	36	22
8M0107935	SPACER Injector Orientation For Number 8 Injector	20	NS	8M0108016	SCREW (M8 x 1.25-16)	18	7
8M0108016	SCREW (M8 x 1.25-16)	18	13	8M0108390	SCREW M8 Hex Flange	46	21
8M0109480	FLYWHEEL ASSEMBLY	80	17	8M0109531	BRACKET	46	22
8M0109786	FUEL RAIL KIT Starboard Design II; With Spacer	20	3	8M0109788	FLAME ARRESTOR KIT Rubber Flange	24	13
8M0112940	HARNES ASSEMBLY	90	64	8M0113651	LIFTER GUIDE	12	18
8M0114263	SCREW (M10 x 1.50 x 86) (12.9 Grade)	12	31	8M0114788	PLATE Wear, Seal Design II	56	10
8M0115132	SCREW (M6) SEMS	50	11	8M0115431	BRACKET	50	14
8M0117000	LIFTER	12	19	8M0118072	IMPELLER HOUSING ASSEMBLY	56	8
8M0118727	COOLER Power Steering	64	34	8M0121939	IMPELLER KIT Heavy Duty Design I	56	23
8M0121940	IMPELLER KIT Heavy Duty Design II	56	23	8M0122010	MERCATHODE KIT	84	1
8M0122424	FUEL FILTER Mercury	4	-	8M0122424	FUEL FILTER Mercury	4	-
8M0122424	FUEL FILTER Mercury	4	-	8M0122664	COVER ASSEMBLY Sea Pump Design II	56	22
8M0125300	SHIFT BRACKET ASSEMBLY	72	1	8M0127239	SHIFT BRACKET ASSEMBLY DTS	68	-
8M0127767	NUT Nyloc	78	9	8M0130877	FSM CAP	22	9
8M0130878	FSM BOTTOM HOUSING	22	19	8M0133370	FSM SEAL KIT	22	-
8M0137221	IMPELLER KIT Heavy Duty	4	-	8M0147052	MAINTENANCE KIT 4.5L/6.2L MPI (100 Hours)	4	-
8M0147066	MAINTENANCE KIT 4.5L MPI Alpha (300 Hours)	4	-	8M0147067	MAINTENANCE KIT 4.5L MPI Bravo (300 Hours)	4	-
8M0173289	GEAR SET	12	14	8M2000229	SCREW (.375-16 x 4.75)	28	4
8M2000565	O-RING	58	4	8M2000565	O-RING	60	4
8M2001502	CLAMP	44	11	8M2001570	CLIP	20	8
8M2001645	SEAL	56	12	8M2001671	GROMMET	6	5
8M2003728	Y-FITTING	36	12	8M2003728	Y-FITTING	42	21
8M2003959	SENSOR Oxygen	28	6	8M2004414	GASKET Included in Elbow Assemblies	28	13
8M2004597	BRACKET Cover Included in 6 Inch Elbow Assembly	28	9	8M2004597	BRACKET Cover Included in 6 Inch Elbow Assembly	28	9
8M2004606	GASKET	28	13	8M2007128	SCREW (1/4-20) Hex Flange Included in 6 Inch Elbow Assembly	28	8
8M2007128	SCREW (1/4-20) Hex Flange Included in 6 Inch Elbow Assembly	28	8	8M2009720	RETAINER	68	9
8M2012295	FITTING ASSEMBLY	42	8	8M2017060	VALVE PCV	4	-
8M2017060	VALVE PCV	4	-	8M2017060	VALVE PCV	14	29
8M2020465	FITTING	50	2	8M2021674	SCREW (.437-20 x 2.50)	18	12
8M2023900	HOSE Connects to Upper Poppet Valve	36	3	8M2023900	HOSE Poppet to Elbow, Stbd. Top	42	5
8M2023901	HOSE Connects to Poppet Valve; Stbd. Bottom	36	34	8M2023903	HOSE Crossover to Circulating Pump	40	18
8M2023904	HOSE	38	9	8M2023905	HOSE Poppet to Elbow, Stbd. Bottom	42	4
8M2023906	HOSE Poppet to T Drain	42	7	8M2023907	HOSE T Drain to Lower Elbow	42	18
8M2023909	HOSE Drain Fitting to Y Fitting	36	23	8M2023910	HOSE Upper Drain Fitting to T Fitting	42	15
8M2023911	HOSE Low Drain to T Fitting	42	17	8M2023912	HOSE Y Fitting to T Fitting	42	20
8M2023913	HOSE Y Fitting to Crossover	36	20	8M2023914	HOSE Y Fitting to Circ. Pump	36	25
8M2023916	HOSE Y Fitting to Poppet Valve Cover	36	5	8M2023920	BOOT	8	34
8M2024045	SCREW (M8 x 45)	14	6	8M4501756	FITTING	38	12
8M4501756	FITTING	44	10	8M4501756	FITTING	44	13
8M6000623	SENSOR Water Pressure Water Pressure	8	19	8M6000623	SENSOR Water Pressure Pressure	64	35
8M6000634	PRESSURE SENSOR Oil Pressure	8	22	8M6001398	ELECTRICAL HARNESS ASSEMBLY	22	20
8M6001892	SHAFT	62	10	8M6001893	RETAINER	62	9
8M6001960	FUSE 90 Amp - Purple	8	13	8M6002000	BEARING	12	11
8M6002001	BEARING	12	6	8M6002021	FUSE HOLDER	8	11
8M6002029	SENSOR Intake Manifold Temperature/Pressure Temperature / Manifold Pressure	24	7	8M6002071	PLUG Expansion	14	18
8M6002226	CLAMP	20	2	8M6002386	SPRING	14	15
8M6002404	GASKET	14	22	8M6002411	CLIP	64	11
8M6002412	PLUG (1.64)	12	4	8M6002413	PLUG (2.14)	12	5
8M6002428	FUEL INJECTOR	20	9	8M6002623	SEAL Front	18	22
8M6002624	SEAL	12	25	8M6002874	PUSH ROD	14	31
8M6003344	VALVE ASSEMBLY Oil Bypass Oil Bypass Valve	12	8	8M6003698	SOLENOID	8	28
8M6055000	SEAL ASSEMBLY Valve	14	14	90285	SCREW (.312-18 x .625)	74	27
90392	SPRING Alpha RWC	50	7	92913	SCREW (.437-14 x .750)	88	27
93906A2	SHAFT Output	88	14	93911A4	HOUSING ASSEMBLY Shaft Extension Support	88	1
93914	RING Retaining	88	37	93915	RING Retaining	88	38
93918A1	SHIELD Lower	88	4	93918A1	SHIELD Lower	90	43
93919A1	SHIELD Upper	88	6	939201	PLATE Cover	88	26

PARTS INDEX

Part No.	Description	Pg.	Ref.no	Part No.	Description	Pg.	Ref.no
93921	EXPANSION PLUG	88	41	93923A1	MOUNT ASSEMBLY Flywheel Housing	88	9
93924	SEAL Oil	88	39	93944A2	BEARING SET Ball	88	34
94104	RING Retaining	88	16	94247	SCREW (.375-16 x .750) Stainless Steel	46	4
94275	LINK Connector	74	14	94330	NUT (.250-20) Brass	8	15
94330	NUT (.250-20) Brass	74	16	95353A1	VALVE KIT Thermal Relief	76	NS
96158T	SOLENOID	74	10	96995	SCREW (.375-16 x .880)	88	5
96995	SCREW (.375-16 x .880)	88	8	97224	J CLIP	20	10
97850T	ELBOW 90 Degree	14	26	98253	SCREW (.250-20 x .500)	88	31
98260	SCREW (.375-16 x .620)	74	30	98794	SCREW (.375-16 x 1.00)	32	12
98828	SPACER	68	11	98828	SPACER	72	4
98880	SPRING	70	7	98880	SPRING	72	7
99757	GASKET	28	3	F698772	CLAMP Worm Gear	64	4
NSS	NOT SOLD SEPARATE DECAL, No Step	6	11	NSS	NOT SOLD SEPARATE Controller	6	14
NSS	NOT SOLD SEPARATE Cylinder Block	12	1	NSS	NOT SOLD SEPARATE Camshaft Gear	12	15
NSS	NOT SOLD SEPARATE Valve Seat (Intake)	14	12	NSS	NOT SOLD SEPARATE Valve Seat (Exhaust)	14	13
NSS	NOT SOLD SEPARATE PISTON PIN	16	3	NSS	NOT SOLD SEPARATE TIMING CHAIN	18	24
NSS	NOT SOLD SEPARATE Camshaft Gear	18	25	NSS	NOT SOLD SEPARATE Crankshaft Gear	18	26
NSS	NOT SOLD SEPARATE O-Ring	22	3	NSS	NOT SOLD SEPARATE O-Ring	22	5
NSS	NOT SOLD SEPARATE O-Ring	22	6	NSS	NOT SOLD SEPARATE Seal	22	7
NSS	NOT SOLD SEPARATE O-Ring	22	8	NSS	NOT SOLD SEPARATE Seal	22	10
NSS	NOT SOLD SEPARATE O-Ring	22	13	NSS	NOT SOLD SEPARATE O-Ring	22	16
NSS	NOT SOLD SEPARATE Seal	22	18	NSS	NOT SOLD SEPARATE O-Ring	22	21
NSS	NOT SOLD SEPARATE O-Ring	22	22	NSS	NOT SOLD SEPARATE Spacer	22	23
NSS	NOT SOLD SEPARATE Shield	24	2	NSS	NOT SOLD SEPARATE Clamp	42	23
NSS	NOT SOLD SEPARATE Controller	48	40	NSS	NOT SOLD SEPARATE Snap Ring	56	13
NSS	NOT SOLD SEPARATE Bracket	58	9	NSS	NOT SOLD SEPARATE Bracket	60	7
NSS	NOT SOLD SEPARATE Bracket	60	10	NSS	NOT SOLD SEPARATE PIN	80	19
NSS	NOT SOLD SEPARATE	88	36				