

Parts Manual

Cat.# 90-80950099

Revised 09-11-2020

TABLE OF CONTENTS

Cat.# 90-80950099

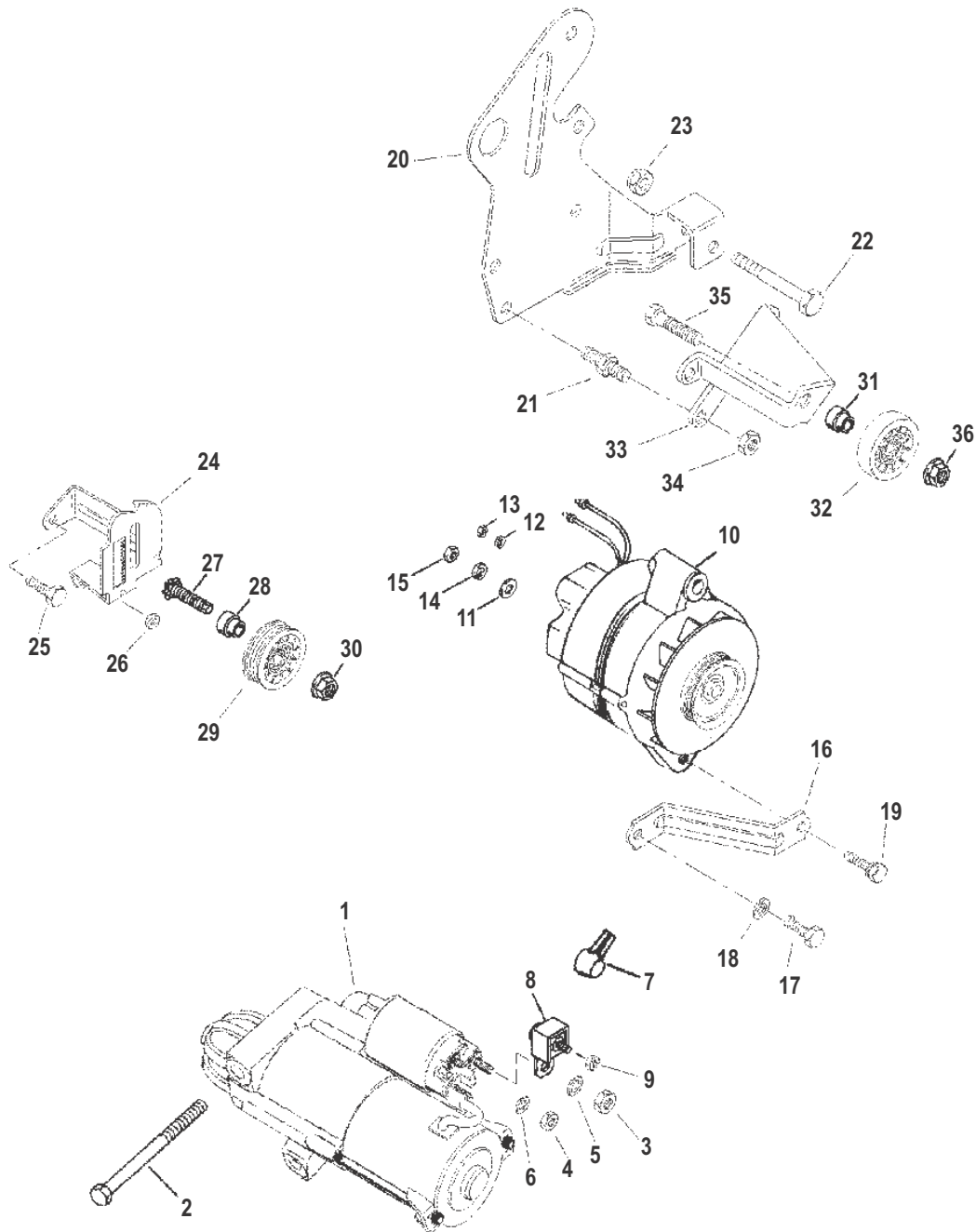
Miscellaneous Information.....	1
Alternator And Starter Motor (Mando).....	3
Starter Motor (PG260-F1).....	7
Alternator (Mando).....	9
Alternator And Brackets (Delco).....	11
Wiring Harness (Engine).....	13
Wiring Harness (EFI).....	15
Electrical Components.....	17
Distributor And Ignition Components.....	19
Fuel Pump And Fuel Cooler.....	23
Senders And Sensors.....	25
Fuel Filter.....	27
Throttle Linkage.....	29
Throttle Body.....	31
Exhaust Manifold And Exhaust Elbow.....	33
Standard Cooling System.....	35
Closed Cooling System.....	39
Sea Water Pump Assembly.....	43
Cylinder Head And Rocker Cover.....	45
Cylinder Block And Camshaft.....	47
Crankshaft And Flywheel.....	51
Pistons And Connecting Rods.....	53
Intake Manifold And Front Cover.....	55
Oil Pan And Oil Pump.....	59
Shift Bracket (Alpha Engines).....	61
Shift Bracket (Bravo Engines).....	63
Power Steering Components.....	65
Remote Oil Filter.....	67
Engine Mounting.....	69
Exhaust System.....	71
Oil Reservoir Bottle And Bracket.....	73
Mercathode Compentents.....	75
Flywheel Housing.....	77

Miscellaneous Information

Miscellaneous Information

Ref #	Part Class	Part Number	Description	Comments	Qty	Note
-	0090	80950099	5.0L / 5.7L EFI ALPHA/BRAVO (GEN +) ENGINE		1	
-	0090	860168985	OWNERS MANUAL	(Alpha)	1	
-	0090	860171985	OWNERS MANUAL	(Bravo)	1	
-	0037	805364A1	DECAL SET Color Coding Color Code		1	

Alternator And Starter Motor (Mando)



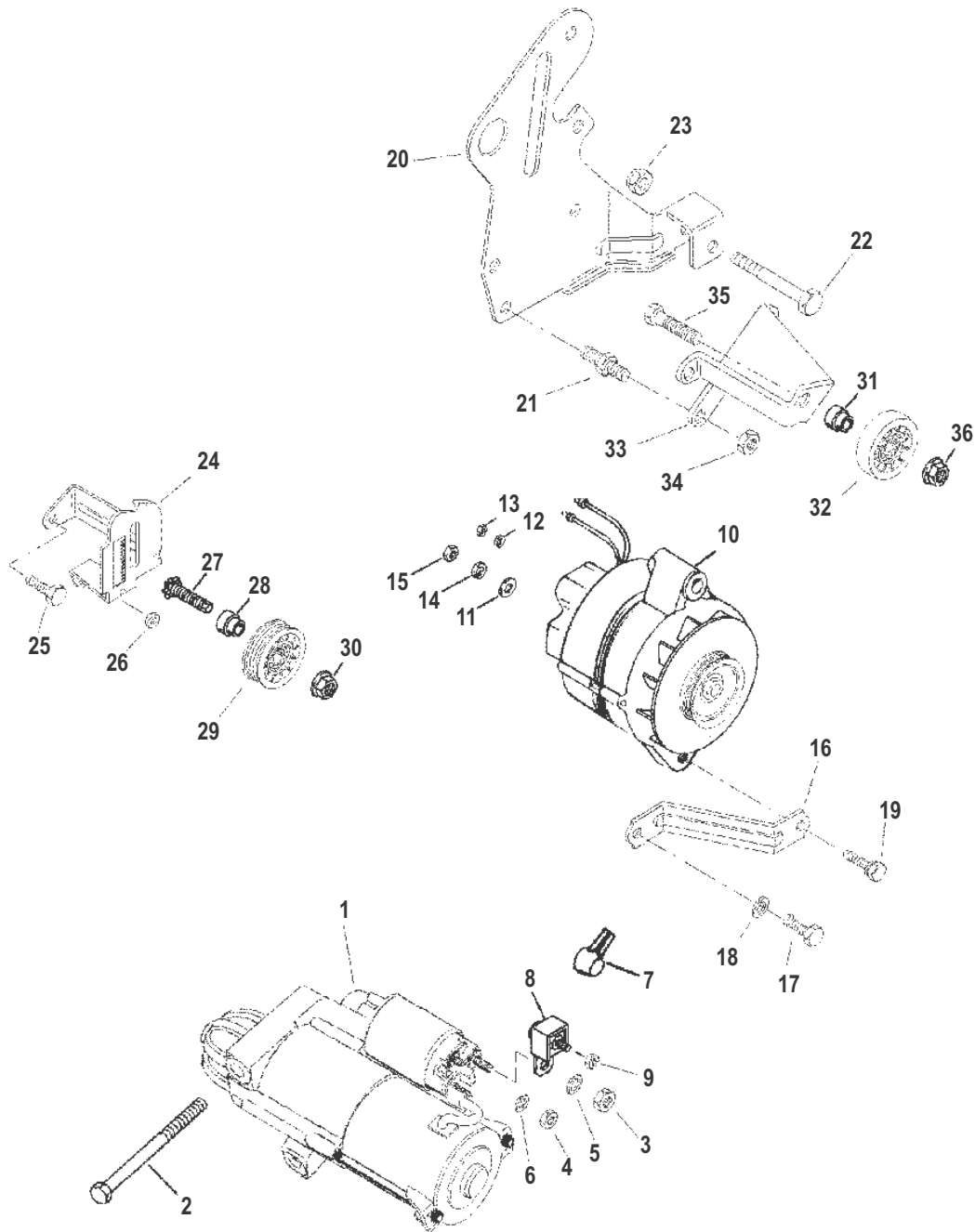
14146

Alternator And Starter Motor (Mando)

Ref #	Part Class	Part Number	Description	Comments	Qty	Note
1	0050	863007A1	STARTER MOTOR ASSEMBLY	(See "Starter Motor" For Breakdown)	1	[1]
2	0010	8053432	SCREW (.375-16 x 4.33)		2	
3	0011	806949	NUT (M8-1.5)		1	
4	0011	400211	NUT (M5) Stainless Steel		1	
5	0013	39107	LOCKWASHER (.312-24)		1	
6	0013	26996	LOCKWASHER (#10) Stainless Steel		1	
7	0085	79695	BOOT Insulator - Black		1	
8	0088	79023A91	FUSE ASSEMBLY 90 Ampere		1	
9	0011	21825	NUT (.250-28)		1	
10	0000	807653T	ALTERNATOR ASSEMBLY	(See "Alternator (Mando)" For Breakdown)	1	[2]
11	0012	96457	WASHER Phenolic (.27 x .81 x .062)		1	
12	0013	26996	LOCKWASHER (#10) Stainless Steel		1	
13	0011	79989	NUT (#10-24) Stainless Steel		1	
14	0013	26992	LOCKWASHER (.250) Stainless Steel		1	
15	0011	94330	NUT (.250-20) Brass		1	
16	0000	807750T	BRACE		1	
17	0010	98261	SCREW (.375-16 x .750)		1	
18	0013	35048	LOCKWASHER (.375)		1	
19	0010	29198	SCREW AND LOCKWASHER (.312-18 x .875)		1	
20	0000	860370T	BRACKET Alternator/Power Steering		1	
21	0016	860102	STUD (.375-16 x 1.730)		3	
22	0010	56743	SCREW (.375-24 x 3.125)		1	
23	0011	23161	NUT (.375-24)		1	
24	0000	807767T	BRACKET Idler Adjustment		1	
25	0010	98261	SCREW (.375-16 x .750)		1	
26	0011	29250	NUT (.312-24)		1	
27	0043	8183812	PINION STUD (.437-20) Stainless Steel		1	
28	0000	818380T	BUSHING		1	
29	0000	807757T	PULLEY ASSEMBLY Idler - Black		1	
30	0011	859135	NUT (.437-20) Brass/Nickel Plated		1	
31	0000	818380T	BUSHING	(Closed Cooling Models)	1	
32	0000	818382	PULLEY	(Closed Cooling Models)	1	
33	0000	807753T1	BRACKET	(Closed Cooling Models)	1	
34	0011	32219	NUT (.375-16)	(Closed Cooling Models)	3	
35	0010	816601	SCREW (.437-20 x 1.500)	(Closed Cooling Models)	1	
36	0011	859135	NUT (.437-20) Brass/Nickel Plated	(Closed Cooling Models)	1	

Alternator And Starter Motor (Mando)

Alternator And Starter Motor (Mando)



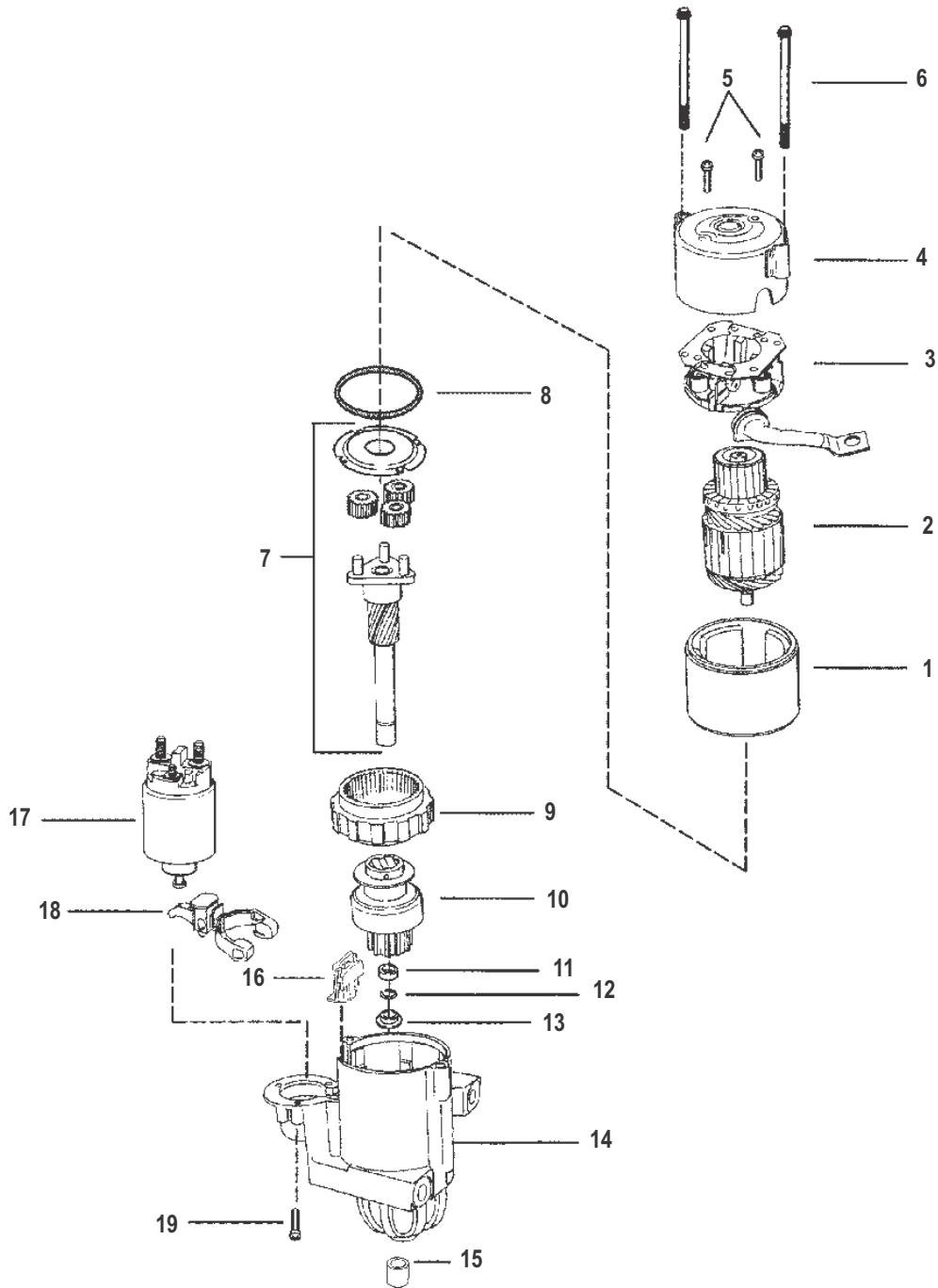
14146

Alternator And Starter Motor (Mando)

PART NOTES:

- [1] - Alternate part numbers:
 - 863007A 1QS
 - 863007R01Reman
- [2] - Alternate part numbers:
 - 807653R01Reman
 - 807653TQS

Starter Motor (PG260-F1)



14147

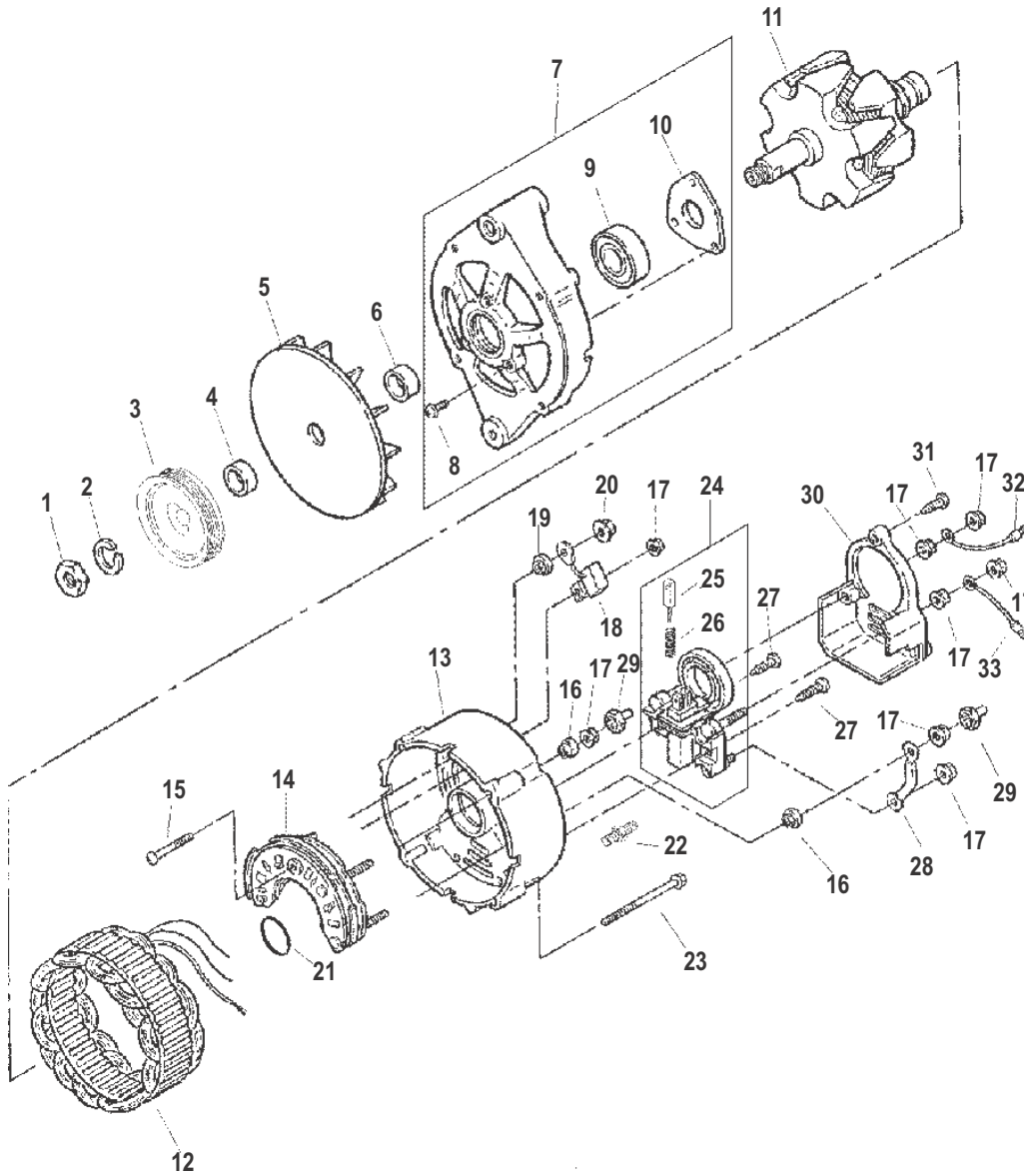
Starter Motor (PG260-F1)

Ref #	Part Class	Part Number	Description	Comments	Qty	Note
1	0050	863007A1	STARTER MOTOR ASSEMBLY		1	[1]
2		NSS	NOT SOLD SEPARATE Armature		1	
3		NSS	NOT SOLD SEPARATE Brush Holder And Spring		1	
4		NSS	NOT SOLD SEPARATE Frame		1	
5		NSS	NOT SOLD SEPARATE Screw		2	
6	0016	803004	THRU BOLT Add Size		1	
6	0010	803005	THRU BOLT Add Size		1	
7		NSS	NOT SOLD SEPARATE Shaft And Gear		1	
8		NSS	NOT SOLD SEPARATE Gasket		1	
9		NSS	NOT SOLD SEPARATE Gear		1	
10	0000	803003	DRIVE		1	
11	0000	33291	COLLAR		1	
12	0053	33290	RING Retaining		1	
13		NSS	NOT SOLD SEPARATE Collar Thrust		1	
14	0000	803001T	HOUSING Drive		1	
15	0023	814476	BUSHING		1	
16		NSS	NOT SOLD SEPARATE Grommet		1	
17	0000	809463A1	SOLENOID KIT		1	
18		NSS	NOT SOLD SEPARATE Lever		1	
19		NSS	NOT SOLD SEPARATE Screw		3	

PART NOTES:

- [1] - Alternate part numbers:
863007A 1QS
863007R01Reman

Alternator (Mando)



14148

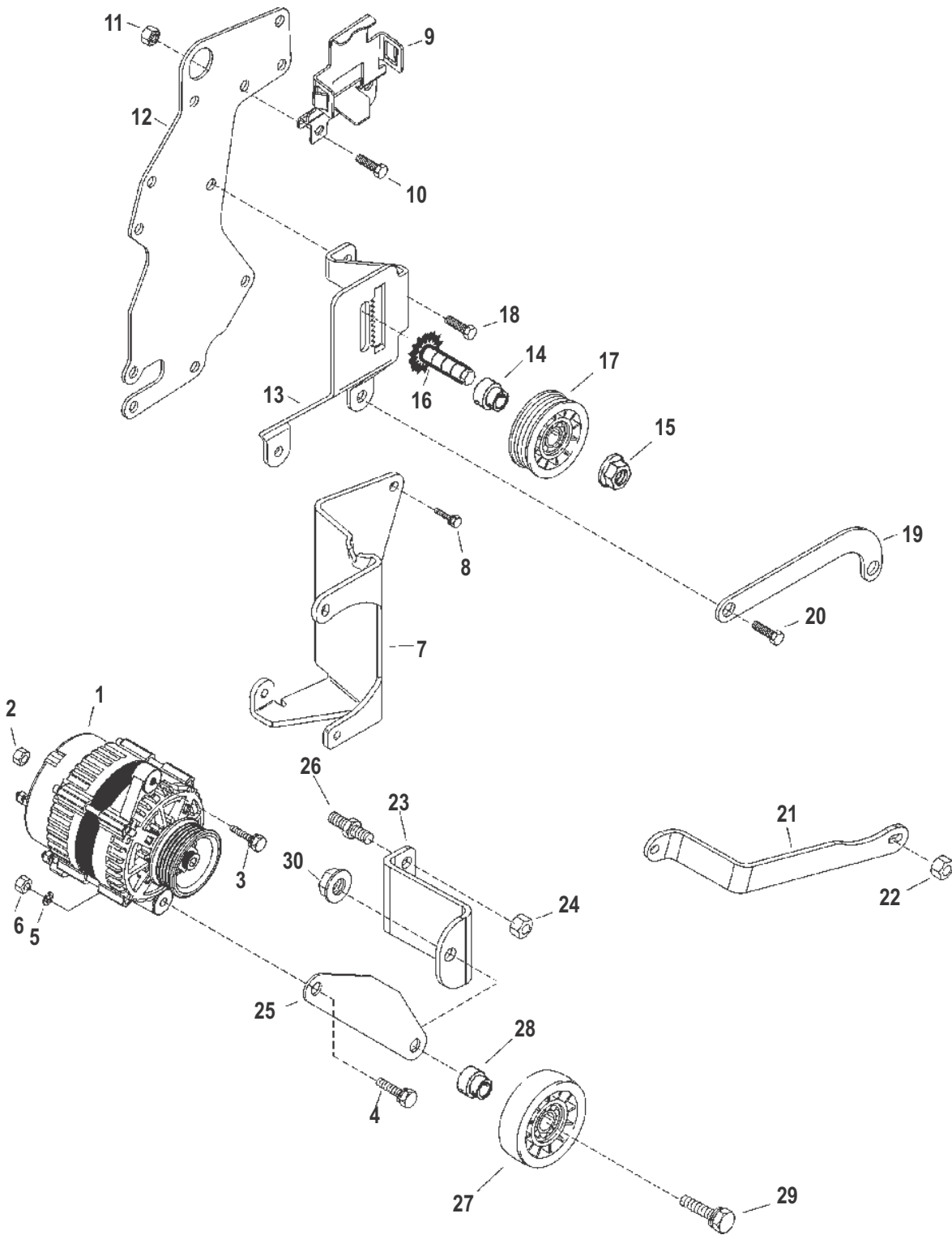
Alternator (Mando)

Ref #	Part Class	Part Number	Description	Comments	Qty	Note
-	0000	807653T	ALTERNATOR ASSEMBLY		1	[1]
1	0011	809136	NUT		1	
2	0013	809137	LOCKWASHER		1	
3	0000	834990T	PULLEY		1	
4	0023	809135	SPACER		1	
5	0000	809139	FAN ASSEMBLY		1	
6	0023	809140	SPACER		1	
7	0000	809151	BRACKET ASSEMBLY		1	
8	0010	809154	SCREW		3	
9	0030	809153	BEARING		1	
10	0000	809152	RETAINER		1	
11	0000	809150	ROTOR		1	
12	0000	809133T	STATOR		1	
13	0000	809155	BRACKET ASSEMBLY		1	
14	0000	809162	RECTIFIER		1	
15	0010	809160	SET SCREW		1	
16	0000	809146	MOLD		2	
17	0011	809143	NUT		8	
18	0000	809161	CONDENSER		1	
19	0000	809158	MOLD		1	
20	0011	809157	NUT		1	
21	0025	809156	O-RING		1	
22	0010	809159	BOLT		1	
23	0010	809138	BOLT		4	
24	0000	811883T	REGULATOR ASSEMBLY		1	
25	0000	811884	BRUSH		2	
26	0024	809165	SPRING		2	
27	0010	809141	SCREW		2	
28	0000	809142	TERMINAL		1	
29	0000	809149	CAP		2	
30	0000	809144	COVER		1	
31	0010	809145	SET SCREW		1	
32	0084	809148	LEAD WIRE Black		1	
33	0084	809147	LEAD WIRE Red		1	

PART NOTES:

- [1] - Alternate part numbers:
807653R01Reman
807653TQS

Alternator And Brackets (Delco)



14149

Alternator And Brackets (Delco)

Ref #	Part Class	Part Number	Description	Comments	Qty	Note
1	0000	862031T	ALTERNATOR ASSEMBLY (65 Amp)	(Non Serviceable - Replace Complete Assembly)	1	[1]
2	0011	400212	NUT (M6) Stainless Steel		1	
3	0010	40001134	SCREW (M8 x 25)		1	
4	0010	828213	SCREW (.312-18 x 1.500) Hex Flange		2	
5	0012	57792	WASHER		2	
6	0011	26484	NUT (.312-18)		2	
7	0000	862055T	BRACKET Alternator Mounting		1	
8	0010	98261	SCREW (.375-16 x .750)		2	
9	0000	860065A1	BRACKET KIT Reservoir Mounting		1	
10	0010	98261	SCREW (.375-16 x .750)		6	
11	0011	32219	NUT (.375-16)		2	
12	0000	862056T	BRACKET		1	
13	0000	862083T	BRACKET Idler Adjusting		1	
14	0000	818380T	BUSHING		1	
15	0011	859135	NUT (.437-20) Brass/Nickel Plated		1	
16	0043	8183812	PINION STUD (.437-20) Stainless Steel		1	
17	0000	807757T	PULLEY ASSEMBLY Idler - Black		1	
18	0010	34353	SCREW (.375-16 x 1.00)		2	
19	0000	862082T	BRACE Power Steering Brace		1	
20	0010	40001188	SCREW (M10 x 20)			
21	0000	862778A1	BRACKET Alternator Brace	(Alpha)	1	
22	0011	29250	NUT (.312-24)	(Alpha)	1	
23	0000	862084T	BRACKET Idler	(Bravo)	1	
24	0011	32219	NUT (.375-16)	(Bravo)	2	
25	0000	862085T	BRACE Idler	(Bravo)	1	
26	0016	860102	STUD (.375-16 x 1.730)	(Bravo)	2	
27	0000	818382	PULLEY	(Bravo)	1	
28	0000	818380T	BUSHING	(Bravo)	1	
29	0010	56393	SCREW (.437-20 x 1.75)	(Bravo)	1	
30	0011	859135	NUT (.437-20) Brass/Nickel Plated	(Bravo)	1	
NS	0084	862164T1	HARNESS ASSEMBLY Wiring		1	
NS	0057	8620861	BELT Serpentine	(Alpha) (Power Steering)	1	
NS	0057	862088A1	BELT Serpentine	(Alpha) (CHS)	1	
NS	0057	862087A1	BELT Serpentine	(Bravo With Power Steering)	1	
NS	0057	862089A1	BELT Serpentine	(Bravo With Out Power Steering)	1	

PART NOTES:

- [1] - Alternate part numbers:
862031R01Reman
862031TQS

Wiring Harness (Engine)

Cat.# 90-80950099

Wiring Harness (Engine)

Ref #	Part Class	Part Number	Description	Comments	Qty	Note
-	0084	861819T1	HARNESS ASSEMBLY Engine	(Mando Alternator)	1	[1]
-	0084	862179T1	HARNESS ASSEMBLY Engine	(Delco Alternator)	1	

PART NOTES:

[1] - See Service Bulletin 2004-05

Wiring Harness (EFI)

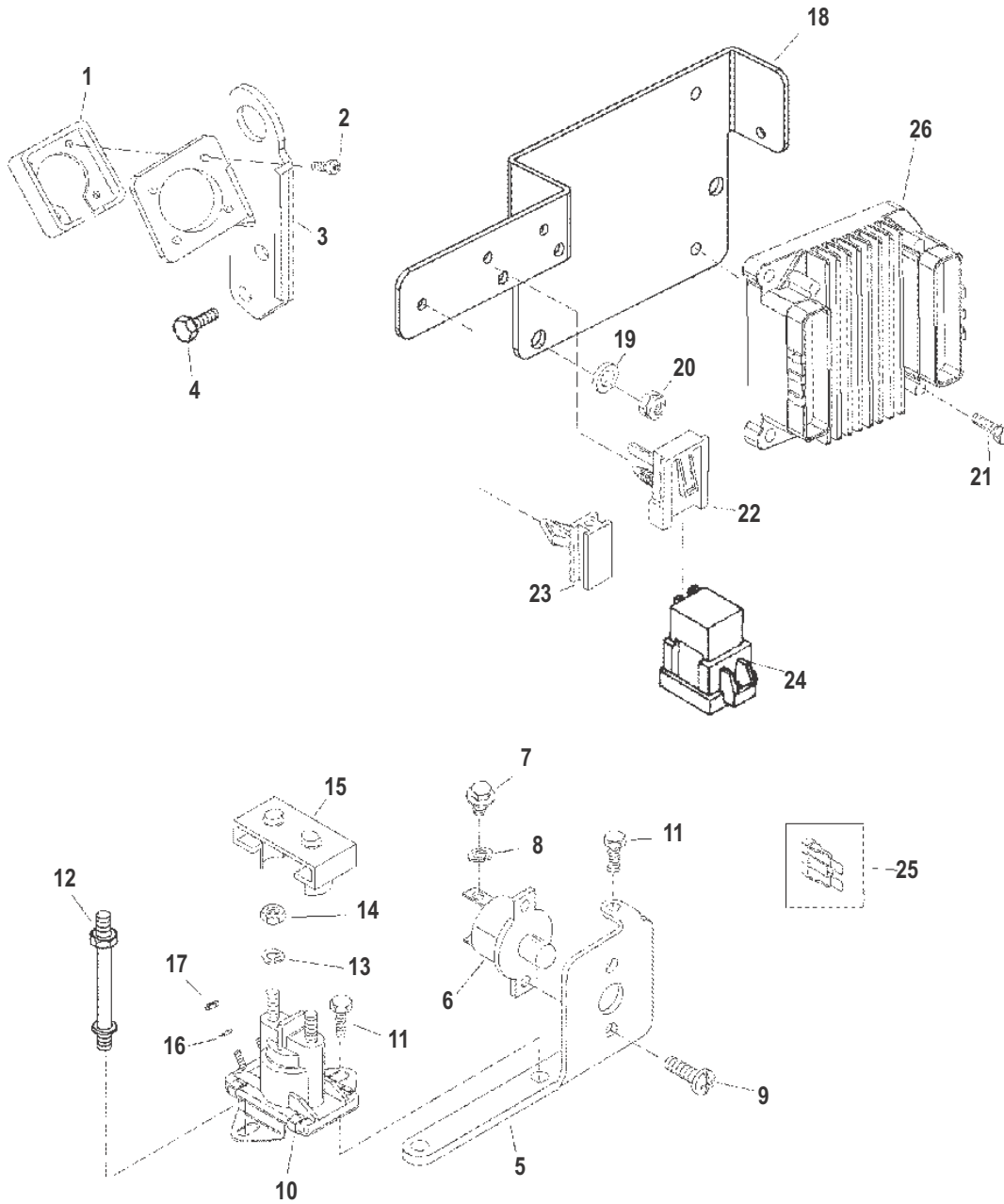
Cat.# 90-80950099

Wiring Harness (EFI)

Ref #	Part Class	Part Number	Description	Comments	Qty	Note
-	0084	861157T1	HARNESS ASSEMBLY EFI		1	

Wiring Harness (EFI)

Electrical Components



14150

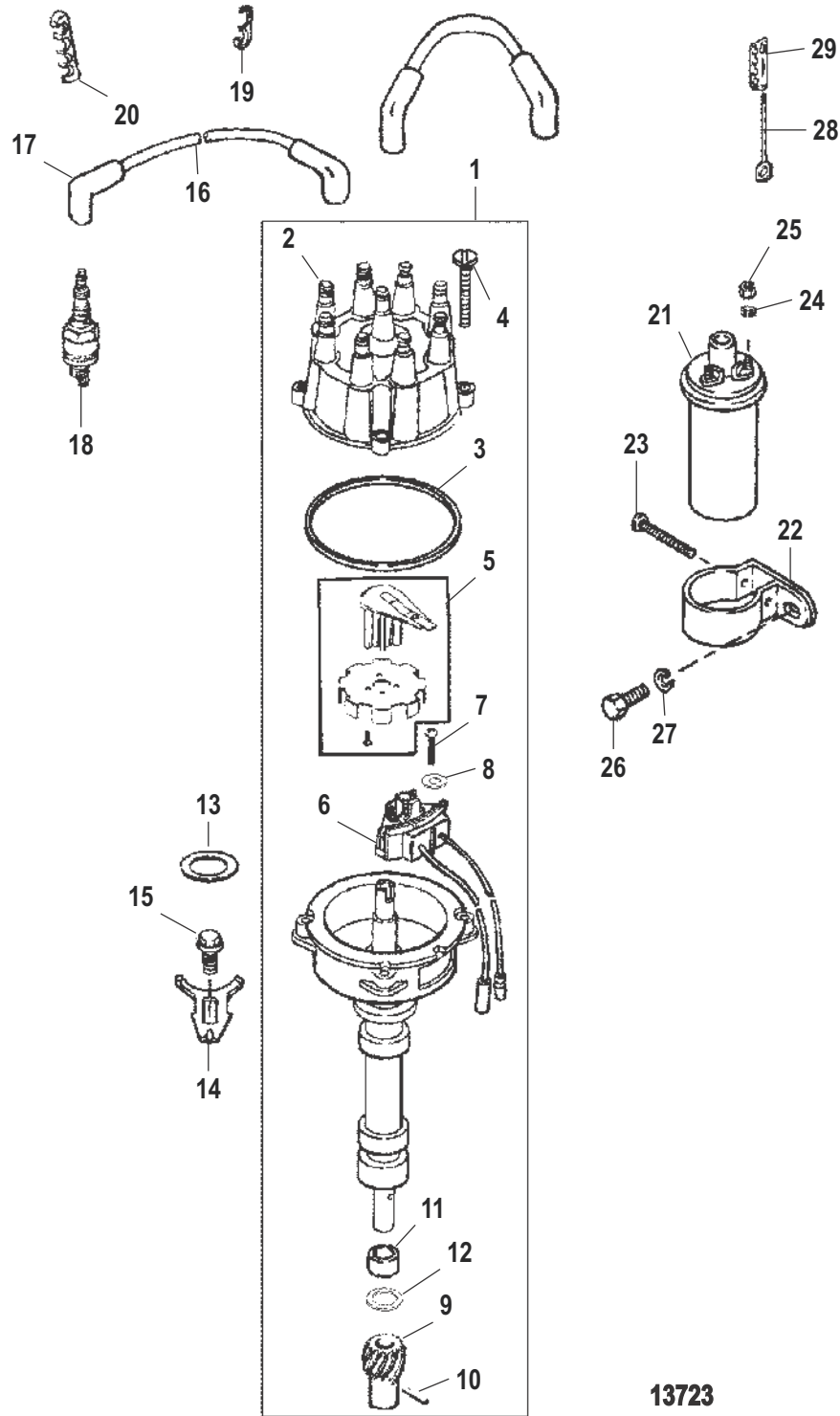
Electrical Components

Ref #	Part Class	Part Number	Description	Comments	Qty	Note
1	0000	26079A2	PLATE KIT Wire Harness Mount		1	
2	0010	15001	SCREW (#8-16 x .875)		4	
3	0000	807453T	BRACKET Harness Mounting/Lifting Eye		1	
4	0010	98261	SCREW (.375-16 x .750)		2	
5	0000	805368T	BRACKET Electrical		1	
6	0088	806950	BREAKER Circuit - 50 Ampere		1	
7	0010	68513	SCREW (#10-32 x .375) Stainless Steel		2	
8	0013	26996	LOCKWASHER (#10) Stainless Steel		2	
9	0010	57583	SCREW (#8-32 x .375)		2	
10	0089	96158T	SOLENOID		1	
11	0010	805564	SCREW (.250-20 x .750)		2	
12	0016	805459	STUD Mercathode Mounting		1	
13	0013	26992	LOCKWASHER (.250) Stainless Steel		2	
14	0011	94330	NUT (.250-20) Brass		2	
15	0085	97861	INSULATOR		1	
16	0013	26995	LOCKWASHER (#8) Stainless Steel		2	
17	0011	26419	NUT (#8-32) Brass		2	
18	0000	861714T	BRACKET ECU Mounting		1	
19	0012	35462	WASHER (.2656 x .625 x .0625) Stainless Steel		3	
20	0011	64015	NUT (.250-20)		3	
21	0010	28636	SCREW (.250-20 x .750)		3	
22	0054	804351	CLIP		2	
23	0054	804352	CLIP		1	
24	0000	807057T	RELAY		2	
25	0088	804641	FUSE Micro - Red - 10 Ampere		2	
25	0088	804642	FUSE Micro - 15 Ampere		1	
26	0000	861925T3	ECM Engine Control Module	(5.0L)	1	[1]
26	0000	861926T3	ECM Engine Control Module	(5.7L)	1	[1]

PART NOTES:

[1] - See Service Bulletin 2004-05

Distributor And Ignition Components



13723

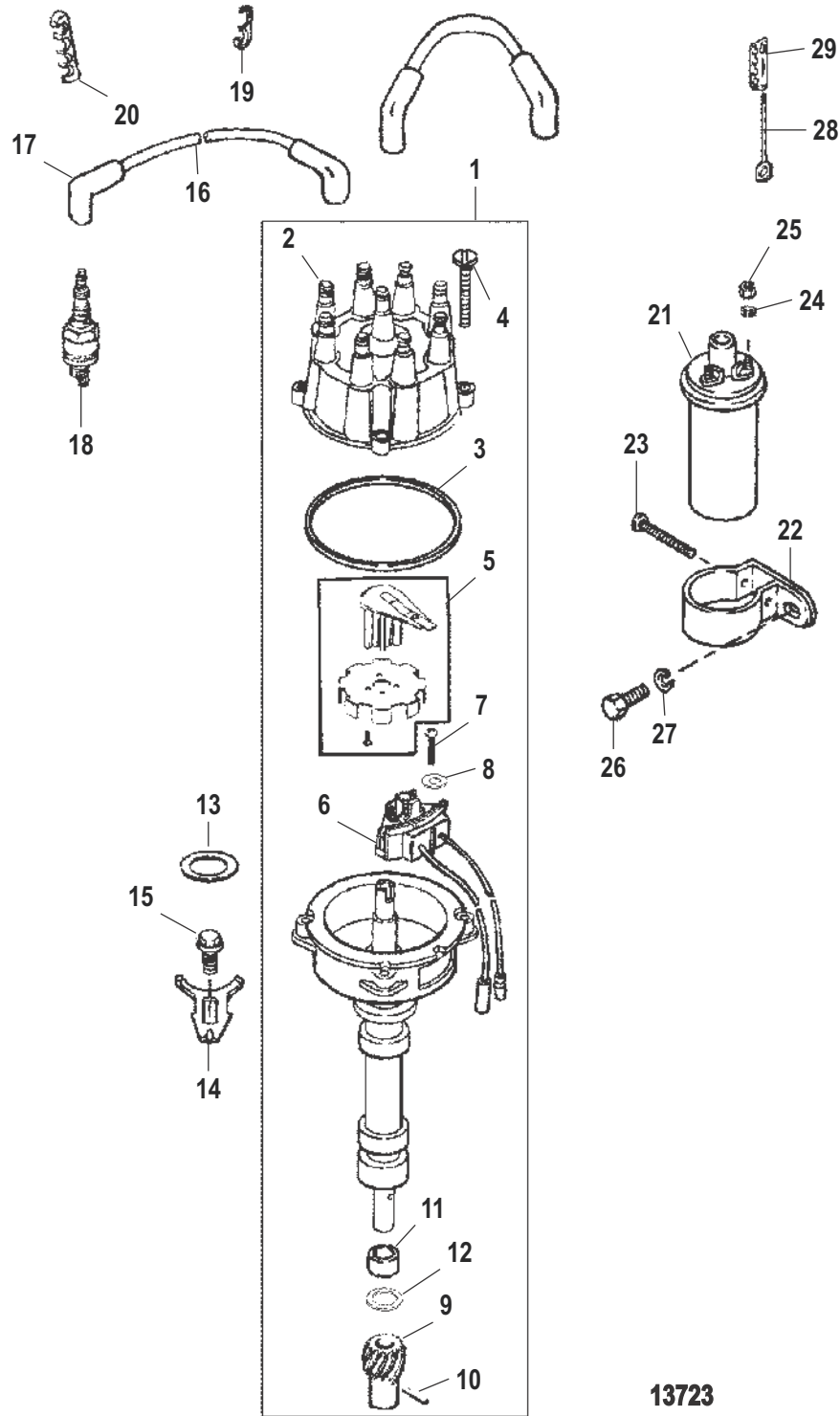
Distributor And Ignition Components

Ref #	Part Class	Part Number	Description	Comments	Qty	Note
1	0000	805185A36	DISTRIBUTOR ASSEMBLY		1	
2	0000	805759T1	CAP Distributor		1	[1]
3	0027	805760	GASKET		1	
4	0010	90926	SCREW (#10-32 x .810)		4	
5	0000	13524T1	WHEEL ASSEMBLY		1	[2]
6	0087	861780A2	SENSOR ASSEMBLY		1	[3]
7	0010	66686	SCREW (#10-32 x 1.00)		2	
8	0013	26996	LOCKWASHER (#10) Stainless Steel		2	
9	0043	818807	GEAR		1	
10	0017	47617	PIN		1	
11	0023	90915	BUSHING		2	
12	0012	90931	THRUST WASHER		1	
13	0027	344863	GASKET		1	[4]
14	0000	52185	CLAMP		1	
15	0010	805559	SCREW (.375-16 x .875) Stainless Steel		1	
16	0084	816608A83	CABLE KIT Ignition Spark Plugs And Coil		1	[5]
17	0085	63709A1	BOOT/TERMINAL KIT		8	
18	0033	816336	SPARK PLUG		8	
19	0000	54676	RETAINER Two Wire		2	
20	0000	32784	RETAINER Four Wire		2	
21	0392	805570A2	COIL KIT		1	
22	0000	65970T1	BRACKET		1	
23	0010	41408	SCREW (#10-32 x 1.50)		1	
24	0013	26996	LOCKWASHER (#10) Stainless Steel		2	
25	0011	68219	NUT (#10-32) Stainless Steel		2	
26	0010	98261	SCREW (.375-16 x .750)		1	
27	0012	20533	WASHER		1	
28	0016	90096A1	STUD ASSEMBLY (#10-32 x Special)		2	
29	0054	72821	RETAINER		2	
-	0027	861246A98	GASKET SET		1	

PART NOTES:

- [1] - Alternate part numbers:
805759Q 3Kit
805759T 1QS
805759T 3MPP Kit
- [2] - Alternate part numbers:
13524T 1Service Part
805759Q 3QS Kit
805759T 3MPP Kit

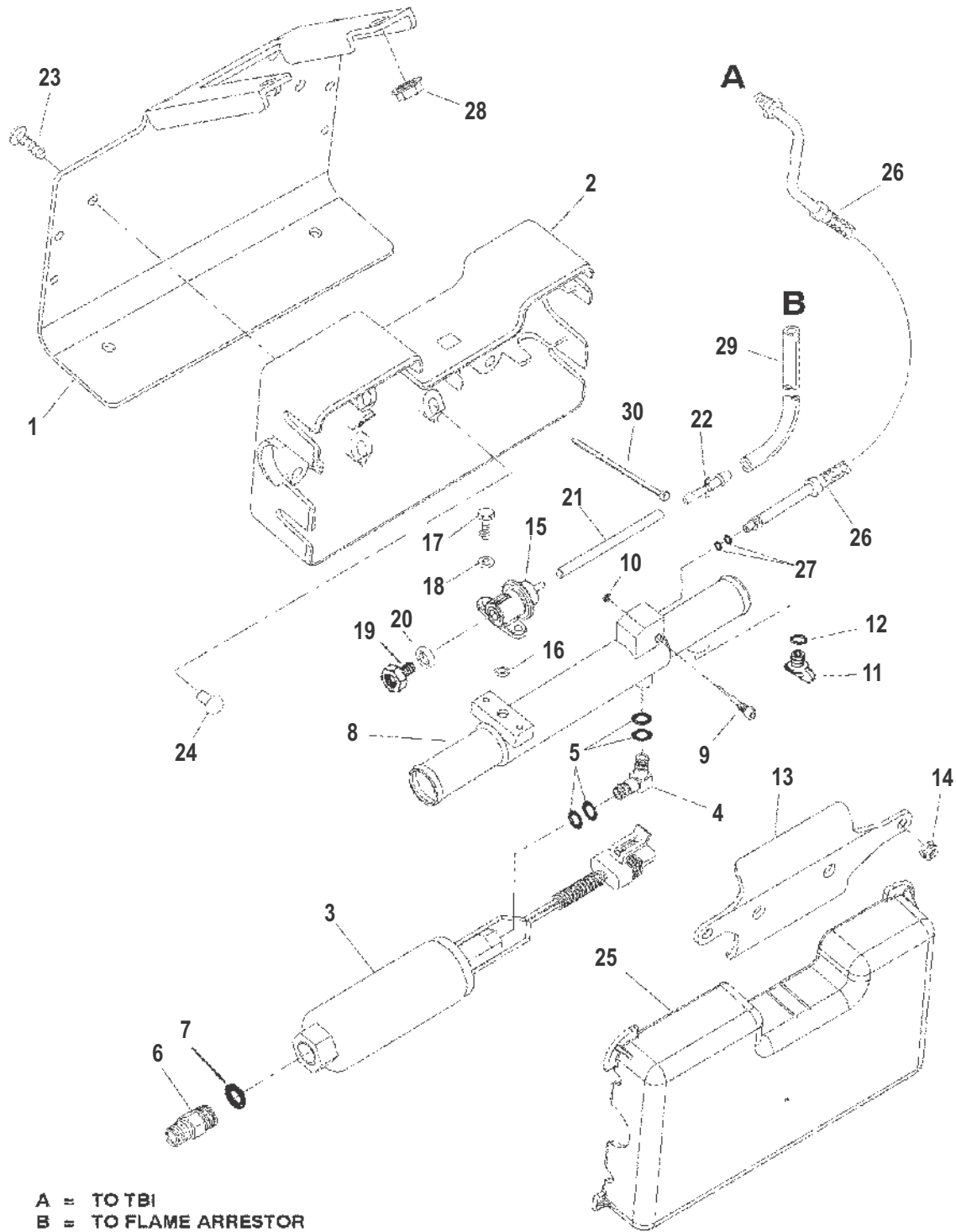
Distributor And Ignition Components



Distributor And Ignition Components

- [3] - Alternate part numbers:
 - 861780A 2Service Part
 - 892150K02MPP
 - 892150Q02QS
- [4] - COMPONENT OF ENGINE OVERHAUL GASKET SET 75611A98
- [5] - Alternate part numbers:
 - 816608A83Service Part
 - 816608K83MPP
 - 816608Q83QS

Fuel Pump And Fuel Cooler



14152

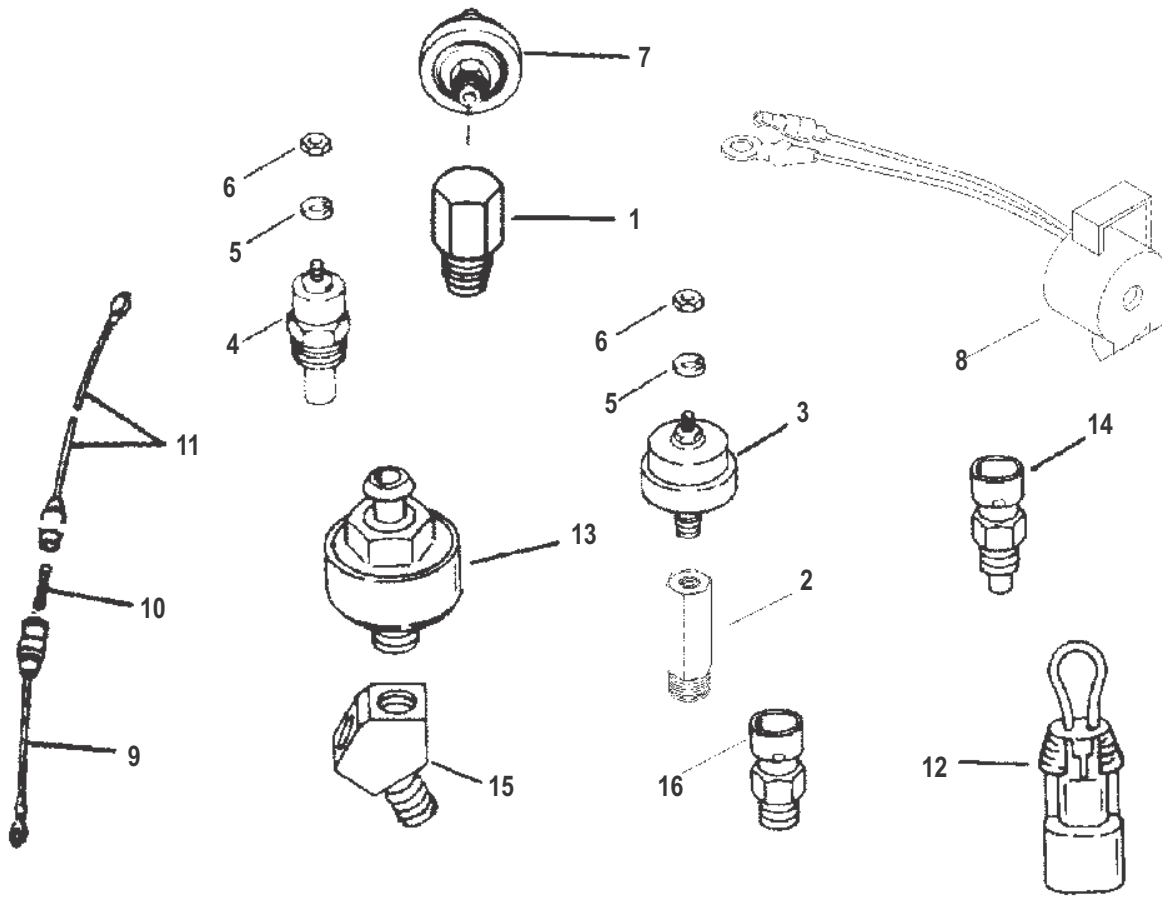
Fuel Pump And Fuel Cooler

Ref #	Part Class	Part Number	Description	Comments	Qty	Note
1	0000	807951T	BRACKET Fuel Cooler		1	
2	0000	807685T	INSULATOR		1	
3	0000	861156A1	PUMP ASSEMBLY		1	[1]
4	0022	807783A1	FITTING ASSEMBLY 90 Degree		1	
5	0025	805063	O-RING (.301 x .070)		4	[2]
6	0022	808001A1	FITTING ASSEMBLY		1	
7	0025	805062	O-RING (.530 x .082)		1	[2]
8	0000	861267A1	COOLER KIT Fuel		1	
9	0010	861303	SCREW (.250-28) Special		1	
10	0053	861414	RING Retaining		1	
11	0022	806608A1	PLUG KIT (.500-13) Royal Blue		1	[3]
12	0025	32509	O-RING (.489 x .070)		1	[2]
13	0000	807979T	BRACKET		1	
14	0011	29598	NUT (.250-28) Stainless Steel		2	
15	0000	807952A1	REGULATOR KIT Fuel Pressure		1	
16	0035	805406	FILTER		1	
17	0010	852368	SCREW (#10-24 x .750)		2	
18	0012	89302	WASHER (.203 x .406 x .040)		2	
19	0022	808002A1	FITTING KIT		1	
20	0012	36533	WASHER (.328 x .562 x .0312) Copper		1	
21	0032	80617379	HOSE (52.00 Inches Bulk)		1	
22	0022	807971	CONNECTOR Hose		1	
23	0010	808005	SCREW (.250-20 x .500)		4	
24	0000	269011	BUMPER Rubber		8	
25	0000	807930	INSULATOR		1	
26	0032	861564A1	LINE ASSEMBLY Fuel Cooler To Fuel Rail		1	
27	0025	805063	O-RING (.301 x .070)		2	[2]
28	0011	860069	NUT (.375-16)		2	
29	0032	80804762	HOSE (.2187 x .440)		1	
30	0054	816311T	TIE STRAP (8.00 Inches)		AR	
-	0027	861246A98	GASKET SET		1	

PART NOTES:

- [1] - See Service Bulletin 2004-05
- [2] - Component Of Engine Overhaul Gasket Set 861246A98
- [3] - Alternate part numbers:
806608A 1Service Part
806608Q01QS

Senders And Sensors



14153

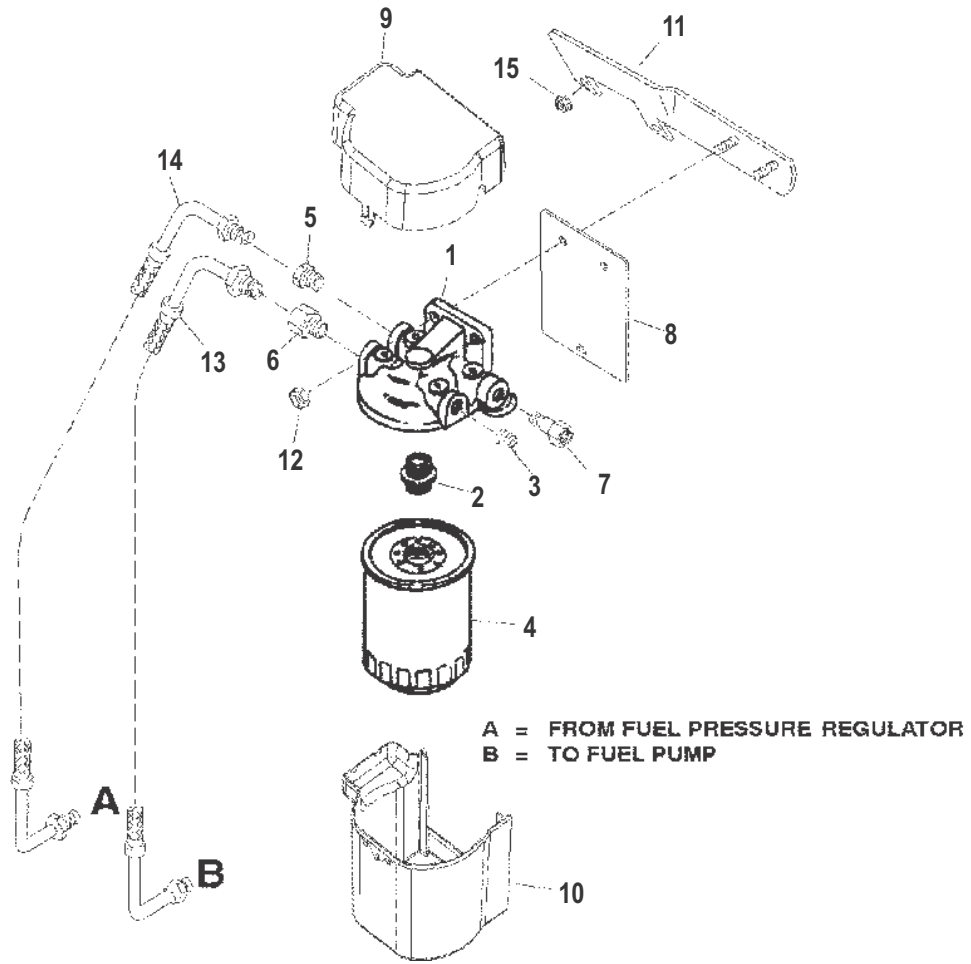
Senders And Sensors

Ref #	Part Class	Part Number	Description	Comments	Qty	Note
1	0022	8053281	FITTING Elbow (90 Degree - .125)		1	
2	0022	805059	FITTING		1	
3	0000	815425T	SENDER ASSEMBLY		1	
3	0000	37293T	SENDER ASSEMBLY Dual Station		OPT	
4	0000	97257A1	SENDER ASSEMBLY Water Temperature		1	
4	0000	49734	SENDER Dual Station		OPT	
5	0013	26996	LOCKWASHER (#10) Stainless Steel		2	
6	0011	68219	NUT (#10-32) Stainless Steel		2	
7	0087	805605A1	SWITCH ASSEMBLY		1	
8	0000	816492A6	ALARM KIT		1	
9	0084	95084A9	CABLE ASSEMBLY (91.00 Inches) Red/Purple Strip	(Bravo Engines)	1	
10	0088	79091	FUSE 20 Ampere	(Bravo Engines)	1	
11	0084	95084A10	CABLE ASSEMBLY (5.00 Inches) Red	(Bravo Engines)	1	
12	0000	805592A1	CONNECTOR ASSEMBLY	(Bravo Engines)	1	
13	0000	806612T	SENSOR Knock		1	
14	0000	805218T	SENSOR ECT		1	
15	0022	8067051	FITTING Dual		1	[1]
16	0000	805223T	SENSOR IAT/MAT		1	

PART NOTES:

[1] - Component Of Long Block Assembly

Fuel Filter



14154

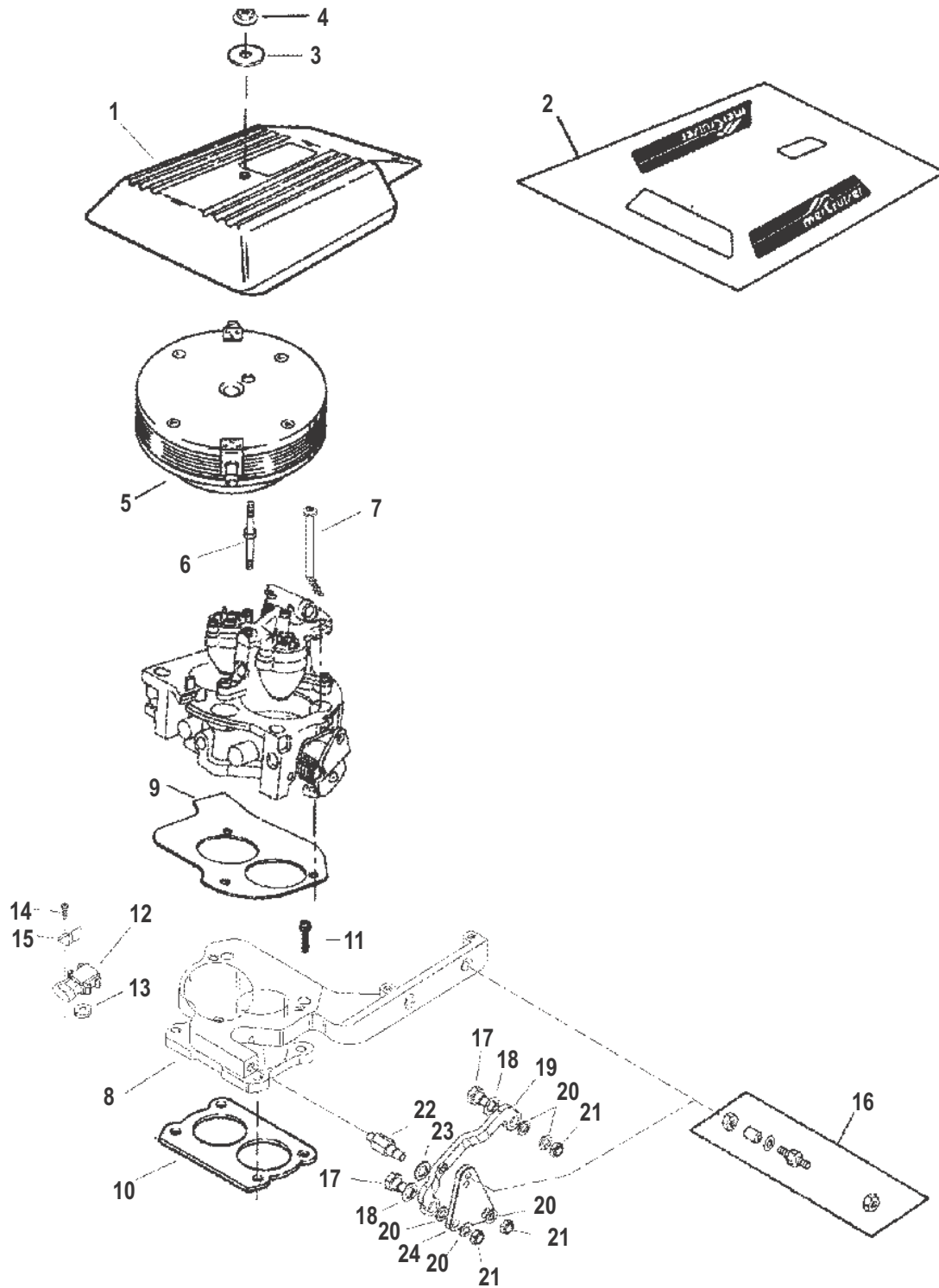
Fuel Filter

Ref #	Part Class	Part Number	Description	Comments	Qty	Note
1	0000	89876A3	BASE ASSEMBLY Fuel Filter/Water Seperator		1	
2	0022	816133	FITTING		1	
3	0022	32561	PLUG Pipe - Allen Head (.250-18)		1	
4	0035	802893Q	FILTER Fuel/Water Separating - Quicksilver Brand		1	[1]
5	0022	33821	CONNECTOR		1	
6	0022	808003	CONNECTOR		1	
7	0022	807958	FITTING (1/4-18)		1	
8	0000	807956T	INSULATOR Back		1	
9	0000	807806T	INSULATOR Cap		1	
10	0000	807807T	INSULATOR Base		1	
11	0000	807918T	BRACKET Fuel Filter Base		1	
12	0011	45592	NUT (.312-24)		2	
13	0032	807953	LINE ASSEMBLY Fuel		1	
14	0032	807954T	HOSE ASSEMBLY Fuel Regulator to Filter		1	
15	0011	860069	NUT (.375-16)		2	

PART NOTES:

- [1] - Alternate part numbers:
802893QQS
802893TMPP
807172Service Part

Throttle Linkage



14155

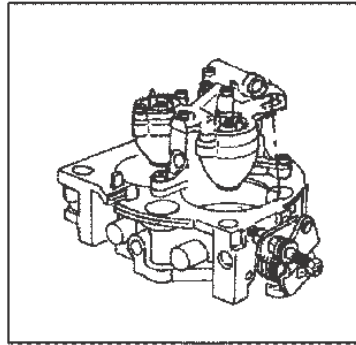
Throttle Linkage

Ref #	Part Class	Part Number	Description	Comments	Qty	Note
1	0000	18484A3	COVER		1	
2	0037	861314A6	DECAL SET	(5.0L)	1	
2	0037	861314A5	DECAL SET	(5.7L)	1	
3	0012	86400	WASHER		1	
4	0011	826709109	NUT (.250-28) Stainless Steel		1	
5	0000	806637T1	FLAME ARRESTOR		1	
6	0016	806703	STUD		1	
7	0010	805390	SCREW (.312-18 x 2.250)		3	
8	0000	861189A1	ADAPTER ASSEMBLY TBI		1	
9	0027	806640	GASKET		1	[1]
10	0027	8079821	GASKET		1	[1]
11	0010	861846	SCREW (.312-18 x .750) Stainless Steel		4	
12	0000	861249A1	SENSOR ASSEMBLY Manifold Air Pressure		1	
13	0026	805412	SEAL		1	
14	0010	806826	SCREW (#8-32 x .250)		1	
14	0010	821579	SCREW (#10-24 x .500)		1	
15	0000	861198	CLIP		1	
16	0016	97477A3	STUD KIT		2	
17	0010	806946	BOLT		2	
18	0012	861854	WASHER (.453 x .750 x .032) Stainless Steel		2	
19	0000	807097T	CONNECTOR		1	
20	0012	20084	WASHER (.328 x .562 x .062)		5	
21	0011	45592	NUT (.312-24)		3	
22	0000	806915	SHAFT		1	
23	0012	79552	WASHER (.453 x .750 x .062) Stainless Steel		1	
24	0000	806916T	PLATE		1	
-	0027	861246A98	GASKET SET		1	

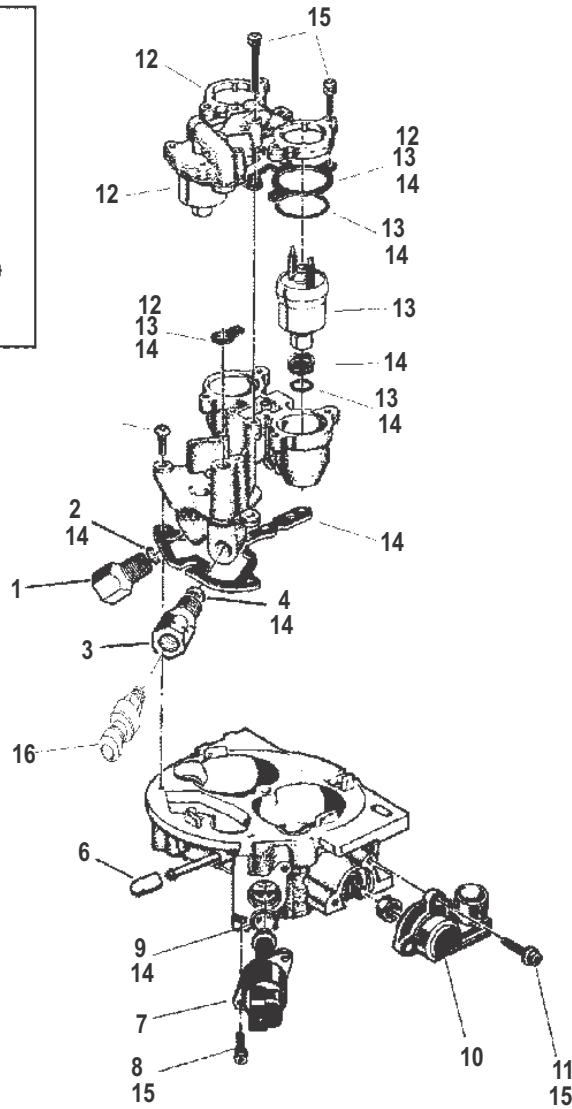
PART NOTES:

[1] - Component Of Engine Overhaul Gasket Set 861246A98

Throttle Body



5



14156

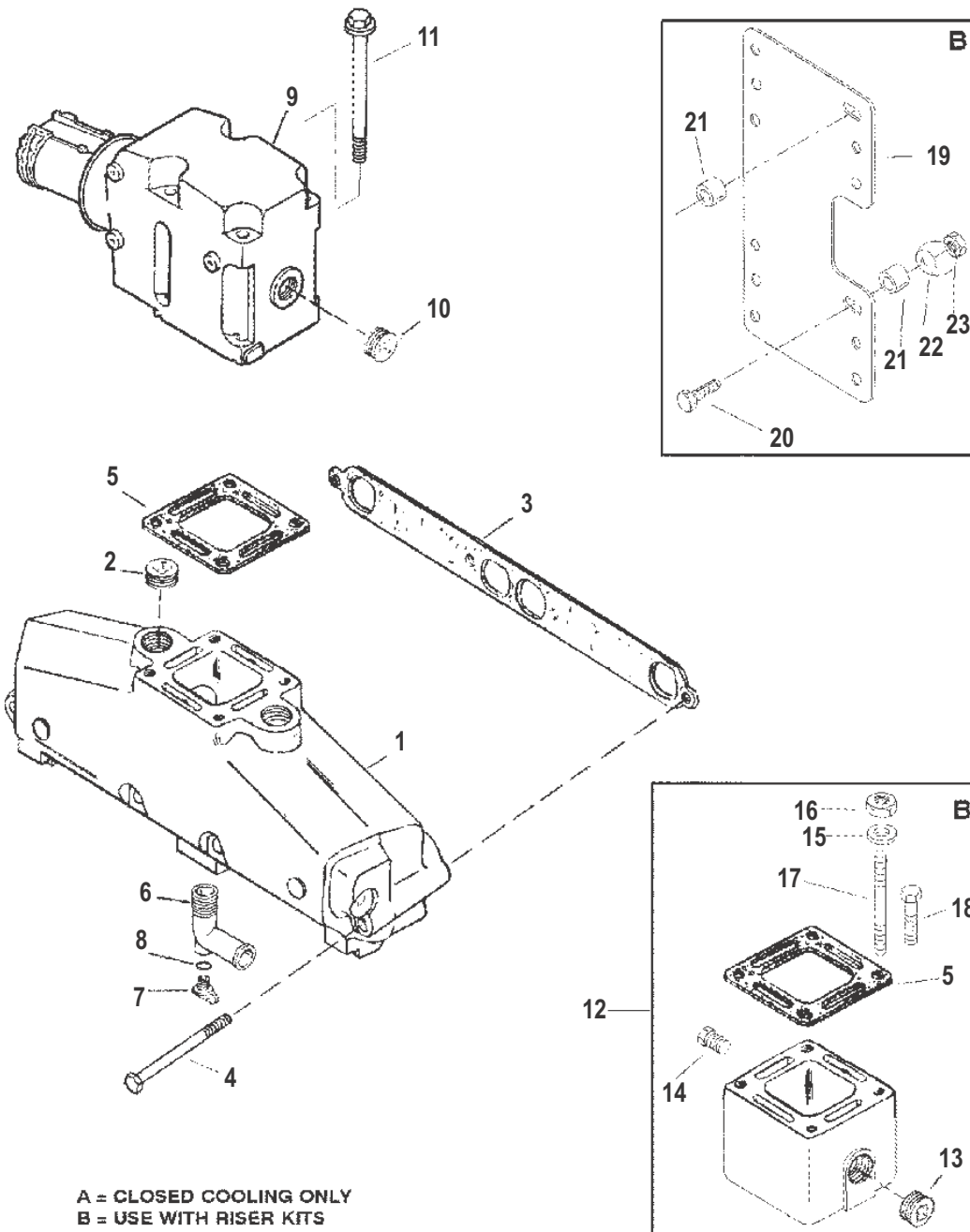
Throttle Body

Ref #	Part Class	Part Number	Description	Comments	Qty	Note
1	0022	806653A1	FITTING ASSEMBLY	(Inlet)	1	
2	0026	806655	SEAL		1	[1]
3	0022	861880A1	ADAPTOR Fuel Fitting		1	
4	0026	806706	SEAL		1	[1]
5	0000	860320A1	THROTTLE BODY ASSEMBLY		1	
6	0000	806899	PLUG		1	
7	0000	805224A1	MOTOR ASSEMBLY IAC		1	
8	0010	805400	SCREW (#8-32 x .500) Stainless Steel		2	
9	0025	808547	O-RING		1	
10	0000	805226A1	SENSOR ASSEMBLY TPS		1	
11	0010	805400	SCREW (#8-32 x .500) Stainless Steel		2	
12	0000	852955	REGULATOR KIT Fuel Pressure		1	
13	0000	852956A1	INJECTOR KIT		1	
14	0027	852957	GASKET KIT Overhaul		1	
15	0010	852958	SCREW KIT		1	
16	0000	807399T	SENSOR Fuel Pressure		1	
-	0027	861246A98	GASKET SET		1	

PART NOTES:

[1] - Component Of Engine Overhaul Gasket Set 861246A98

Exhaust Manifold And Exhaust Elbow



14157

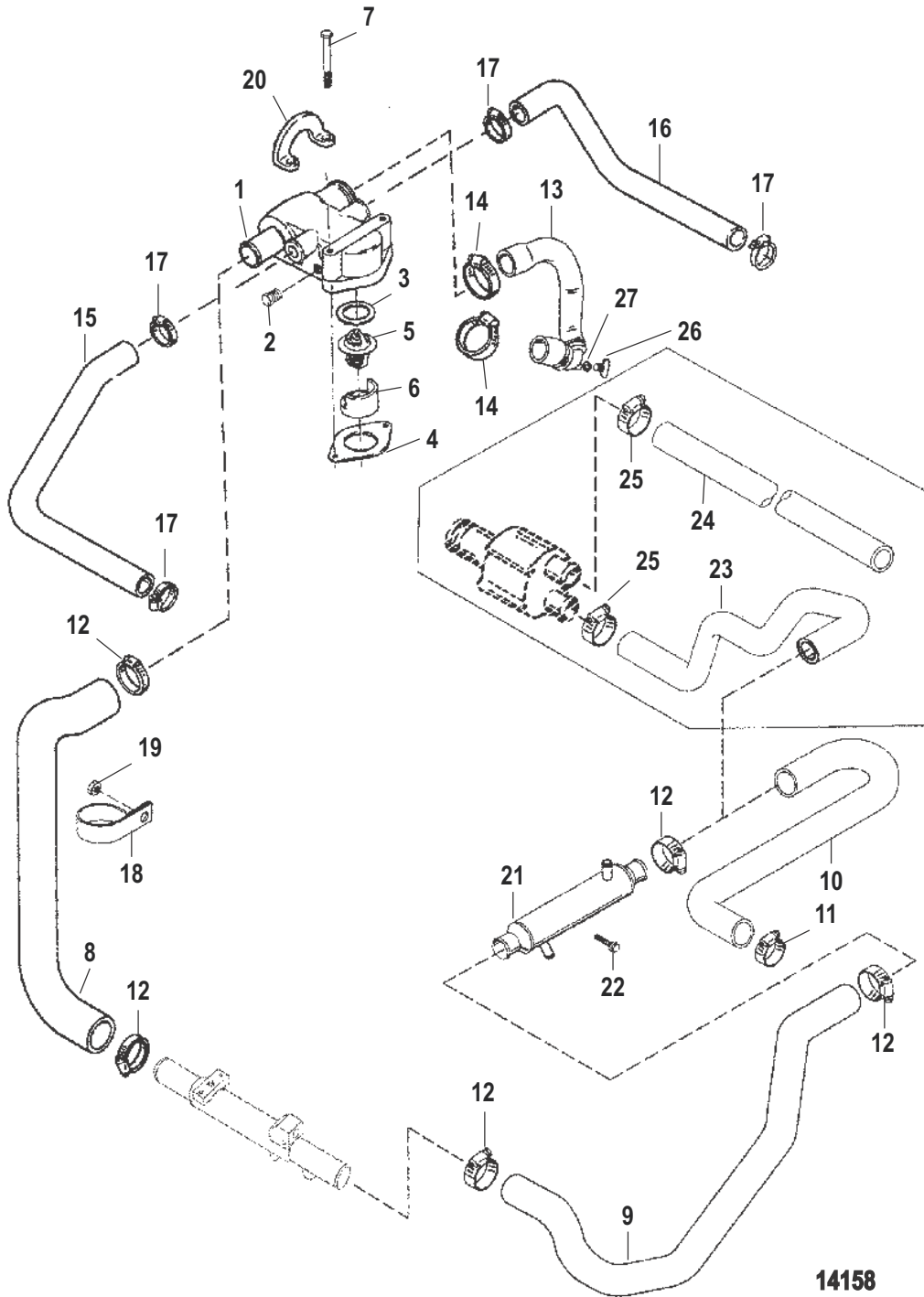
Exhaust Manifold And Exhaust Elbow

Ref #	Part Class	Part Number	Description	Comments	Qty	Note
1	0000	860246A9	MANIFOLD ASSEMBLY	(Port)	1	
1	0000	860246A10	MANIFOLD ASSEMBLY Exhaust	(Starboard)	1	
2	0022	861187	PLUG (.750-14) Pipe		8	
3	0027	33395	GASKET		2	[1]
4	0010	53728	SCREW (.375-16 x 4.75)		8	
5	0027	863726	GASKET	(Use With Riser Kits)	2	
6	0022	806926A1	ELBOW KIT Drain		2	
7	0022	806608A1	PLUG KIT (.500-13) Royal Blue		2	[2]
8	0025	32509	O-RING (.489 x .070)		2	[3]
9	0000	807988A2	ELBOW ASSEMBLY Exhaust		2	
10	0022	861187	PLUG (.750-14) Pipe		2	
11	0010	43749	SCREW (.375-16 x 5.750)		8	
11	0010	43749	SCREW (.375-16 x 5.750)	(Swiss Emissions (BSO1 And SAV1)	4	
11	0010	843504	SCREW (.380-16 x 1.500) Stainless Steel		4	
12	0000	93320A5	RISER KIT Exhaust (3 Inches)	(Each Kit Contains Two Risers)	1	
12	0000	93322A7	RISER KIT Exhaust (6 Inches)	(Each Kit Contains Two Risers)	1	
13	0022	41622	PLUG (.750-14) Pipe		2	
14	0022	328022	PLUG Pipe (.125-27) Brass		2	
15	0012	46132	WASHER	(Use With Three Inch Riser)	4/8	
16	0011	46335	NUT (.375-24)	(Use With Three Inch Riser)	4/8	
17	0016	11375	STUD (.375 x 9.56)	(Use With Three Inch Riser)	4/8	
18	0010	14315	SCREW (.375-16 x 4.25)	(Swiss Emissions (BSO1 And SAV1) Use With Three Inch Riser)	4	
18	0010	12244	SCREW (.375-16 x 1.00)	(Use With Six Inch Riser)	8	
19	0000	818598T	BRACKET	(Use With Six Inch Riser)	1	
20	0010	76596	SCREW (.250-20 x 1.250)	(Use With Six Inch Riser)	3	
21	0023	806981	SPACER	(Use With Six Inch Riser)	6	
22	0012	35462	WASHER (.2656 x .625 x .0625) Stainless Steel	(Use With Six Inch Riser)	3	
23	0011	64015	NUT (.250-20)	(Use With Six Inch Riser)	3	
-	0027	861246A98	GASKET SET		1	

PART NOTES:

- [1] - Component Of Engine Overhaul Gasket Set 861246A98
Component Of Long Block Assembly
- [2] - Alternate part numbers:
806608A 1Service Part
806608Q01QS
- [3] - Component Of Engine Overhaul Gasket Set 861246A98

Standard Cooling System



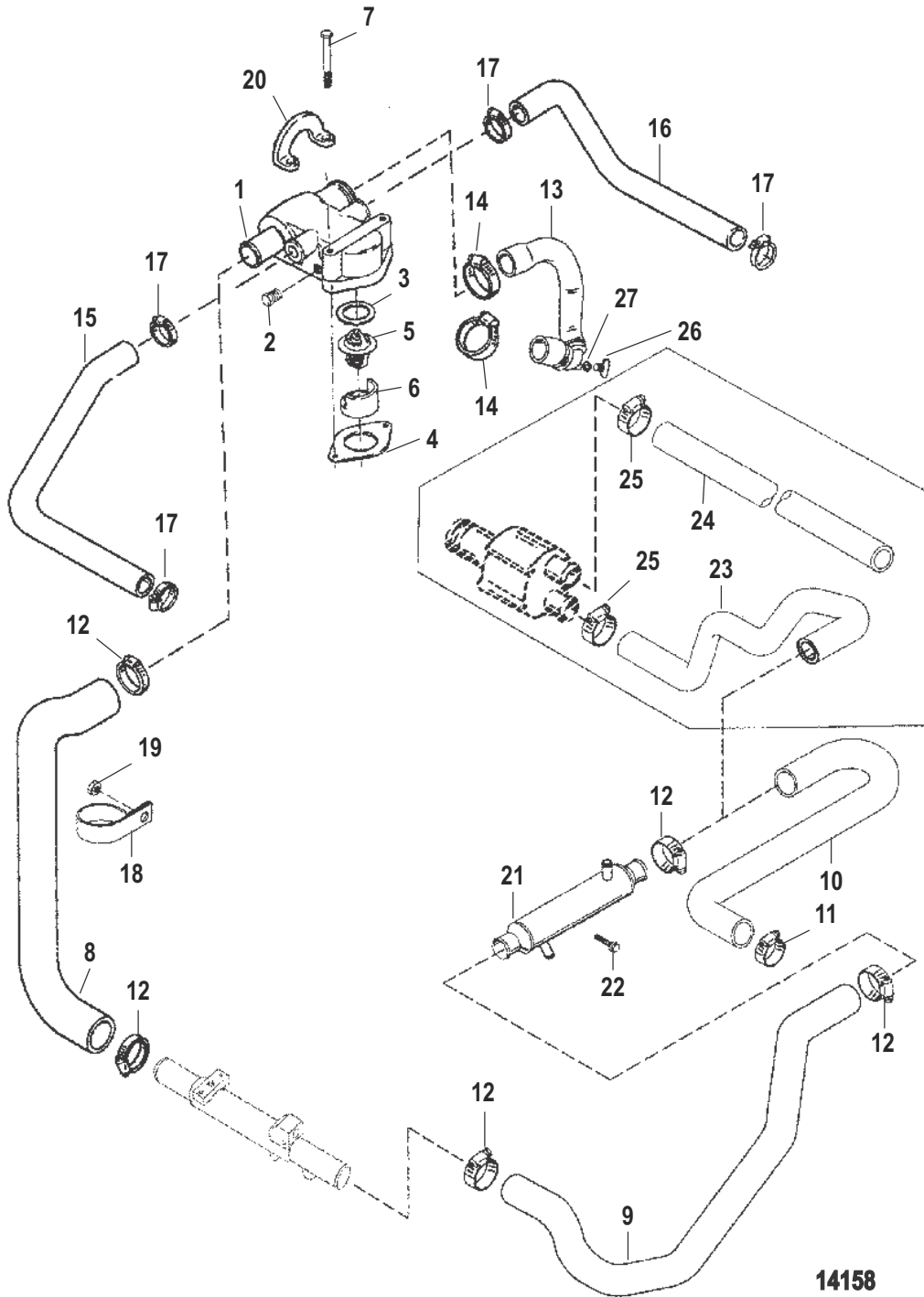
Standard Cooling System

Ref #	Part Class	Part Number	Description	Comments	Qty	Note
1	0000	860256A3	HOUSING ASSEMBLY Thermostat	(Alpha)	1	
1	0000	860256A4	HOUSING ASSEMBLY Thermostat	(Bravo)	1	
2	0022	32803	PLUG Pipe (.375-18) Brass		2	
3	0027	806871	GASKET		1	[1]
4	0027	530451	GASKET		1	[2]
5	0000	807252T2	THERMOSTAT 71DegreeC (160 Degree F)		1	[3]
6	0023	806922	SLEEVE		1	
7	0010	98508	SCREW (.375-16 x 3.00)		2	
8	0032	808033	HOSE Molded		1	
9	0032	8600891	HOSE Molded		1	
10	0032	807661	HOSE	(Alpha Engines)	1	
11	0054	815504212	CLAMP Worm Gear	(Alpha Engines)	1	
12	0054	815504222	CLAMP Worm Gear (1.98 Diameter)		5	
13	0032	861590A2	HOSE ASSEMBLY Thermostat Housing To Water Pump With Drain		1	
14	0054	815504232	CLAMP Worm Gear (2.50 Diameter)		2	
15	0032	860144	HOSE Thermostat Housing To Port Exhaust Manifold		1	
16	0032	807697	HOSE Thermostat Housing To Starboard Manifold		1	
17	0054	815504220	CLAMP Worm Gear		4	
18	0054	47715	CLIP		1	
19	0011	29250	NUT (.312-24)		1	
20	0000	12552	LIFTING EYE		1	
21	0000	861554T	COOLER With Bracket Attached		1	[4]
22	0010	816585	SCREW (.312-18 x .875)	Metal Cooler	1	
22	0010	8M2016106	SCREW (.312 x 1.25)	Composite Cooler (Included with 861554T02)	1	
23	0032	8080441	HOSE Molded	(Bravo Engines)	1	
24	0032	1743579	HOSE (96.00 Inches Bulk)	(Bravo Engines)	1	
25	0054	815504222	CLAMP Worm Gear (1.98 Diameter)	(Bravo Engines)	2	
26	0022	806608A1	PLUG KIT (.500-13) Royal Blue		1	[5]
27	0025	32509	O-RING (.489 x .070)		1	
NS	0019	8079923	COVER Hose Clamp End		AR	
-	0027	861246A98	GASKET SET		1	

PART NOTES:

- [1] - Component Of Engine Overhaul Gasket Set 861246A98
- [2] - Alternate part numbers:
 - 53045 1Service Part
 - 53045Q01QS
 - Component Of Engine Overhaul Gasket Set 861246A98
 - Component Of Long Block Assembly

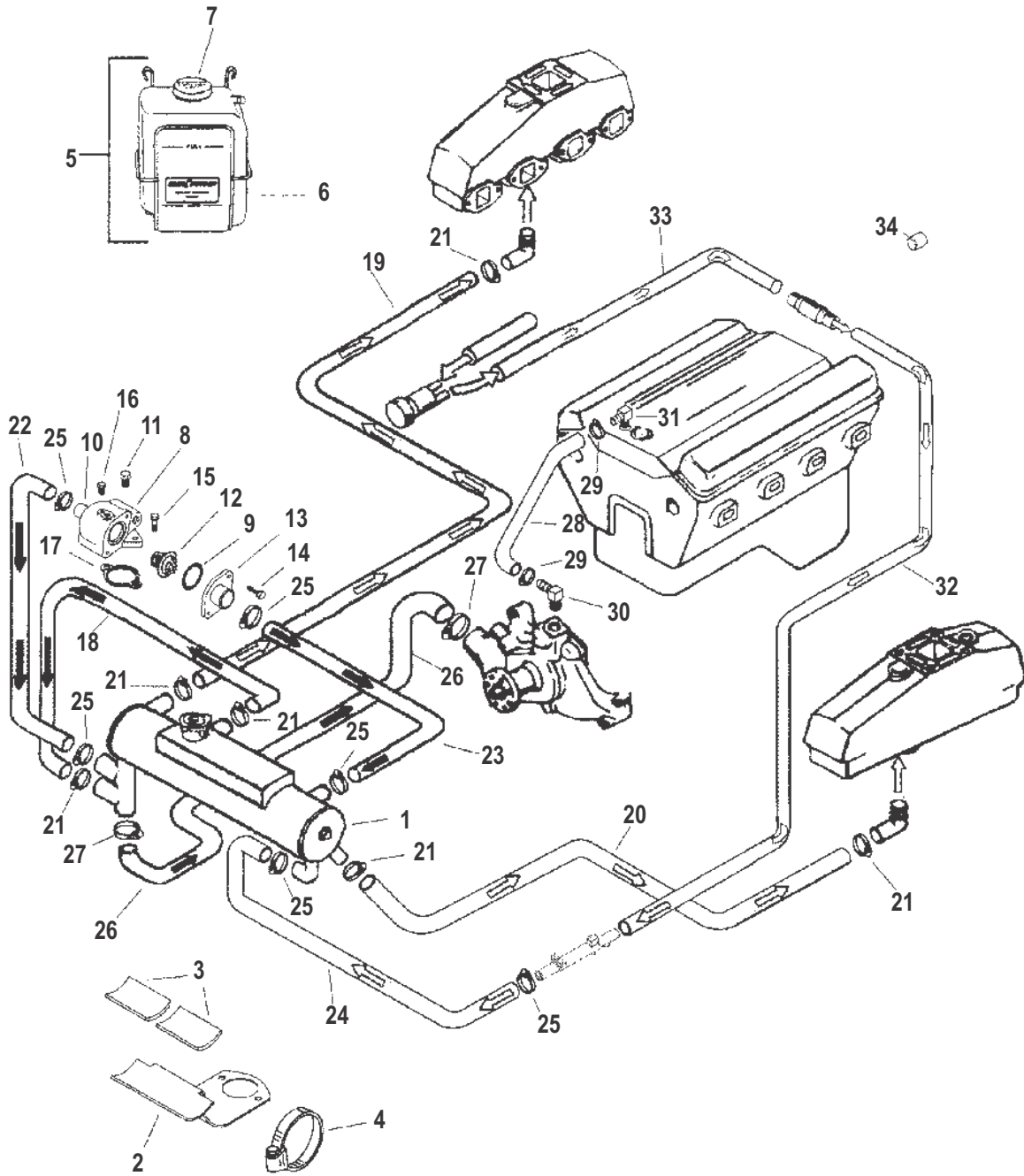
Standard Cooling System



Standard Cooling System

- [3] - Alternate part numbers:
 - 807252Q 5QS Kit
 - 807252T 2Service Part
 - 807252T 5MPP Kit
- [4] - See Service Bulletin 2004-05
- [5] - Alternate part numbers:
 - 806608A 1Service Part
 - 806608Q01QS

Closed Cooling System



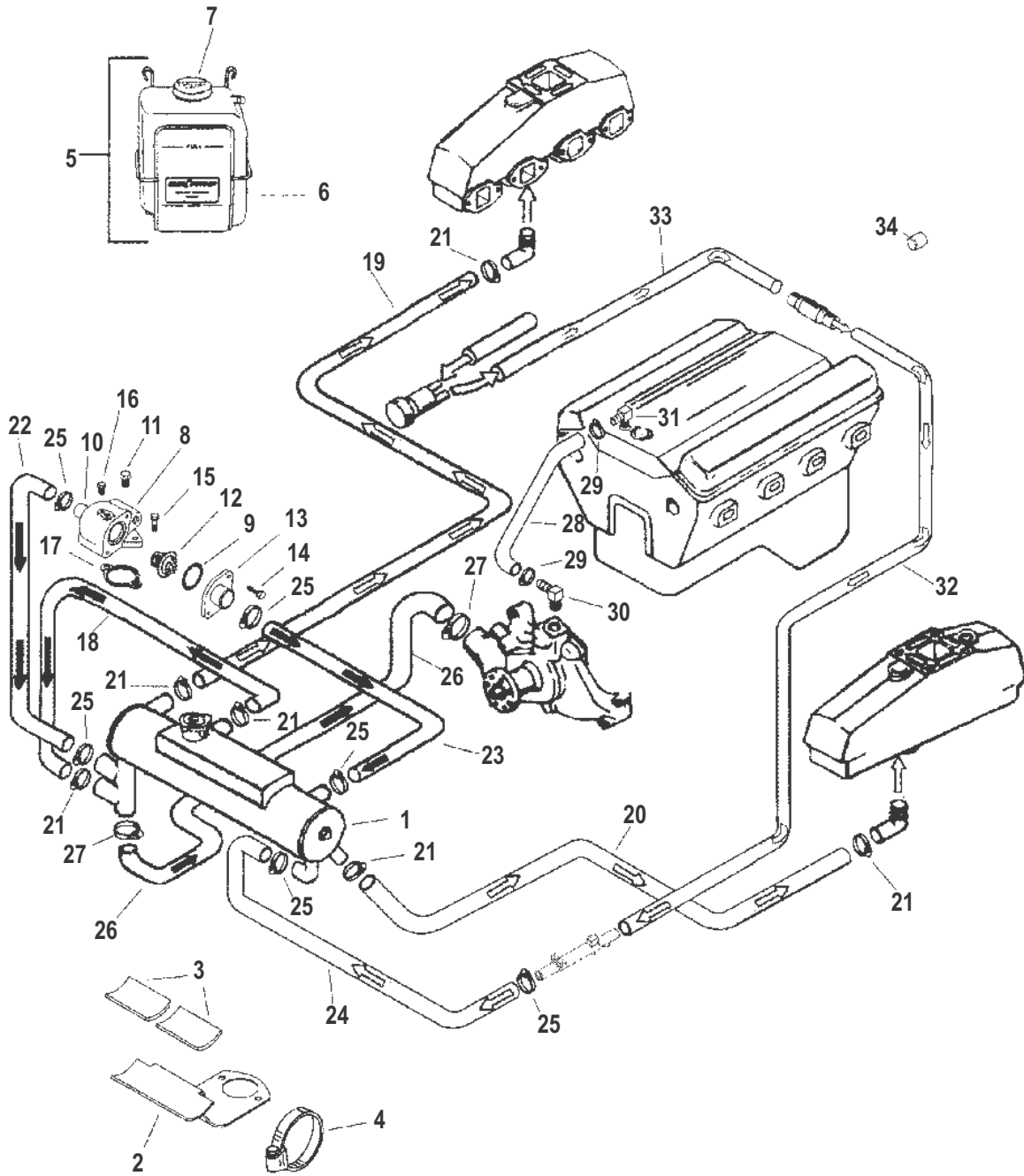
14159

Closed Cooling System

Ref #	Part Class	Part Number	Description	Comments	Qty	Note
1	0000	860234A1	HEAT EXCHANGER		1	
NS	0000	814875	COVER Heat Exchanger End		2	
NS	0027	803644	GASKET		2	
NS	0010	814877	BOLT		2	
NS	0025	814878	O-RING Special		2	
NS	0036	8148791	CAP		1	
2	0000	860326A1	BRACKET ASSEMBLY Heat Exchanger		1	
3	0000	18431	PAD		2	
4	0054	815504388	CLAMP Worm Gear		2	
5	0000	71587A10	RECOVERY KIT Coolant	(Sold As A Complete Kit Only. The Component Parts Canada Be Purchased Locally)	1	
-	0032	774572	HOSE (48.00 Inches Bulk)		1	
6	0000	71587A11	BOTTLE Plastic		1	
7	0000	72058	CAP		1	
8	0000	861188A1	HOUSING ASSEMBLY Thermostat		1	
9	0025	807134	SEAL		1	[1]
10	0023	52020	SLEEVE Hose		1	
11	0022	32803	PLUG Pipe (.375-18) Brass		1	
12	0000	991551	THERMOSTAT		1	[2]
13	0000	807075A1	COVER		1	
14	0010	29198	SCREW AND LOCKWASHER (.312-18 x .875)		2	
15	0010	58640	SCREW (.375-16 x 1.25)		2	
16	0022	328022	PLUG Pipe (.125-27) Brass		1	
17	0027	530451	GASKET		2	[3]
18	0032	4285069	HOSE (44.00 Inches Bulk)		1	
19	0032	861057	HOSE Heat Exchanger To Exhaust Manifold	(Starboard)	1	
20	0032	860421	HOSE Heat Exchanger To Exhaust Manifold	(Port)	1	
21	0054	815504220	CLAMP Worm Gear		6	
22	0032	860485	HOSE Thermostat By-Pass		1	
23	0032	860419	HOSE Thermostat Housing To Heat Exchanger		1	
24	0032	860332	HOSE		1	
25	0054	815504222	CLAMP Worm Gear (1.98 Diameter)		6	
26	0032	861059	HOSE		1	
27	0054	815504232	CLAMP Worm Gear (2.50 Diameter)		2	
28	0032	860482	HOSE Water Pump To Intake Manifold		1	
29	0054	815504212	CLAMP Worm Gear		2	
30	0022	860346	FITTING Elbow (90 Degree) (.750)		1	
31	0022	808042	FITTING Elbow (90 Degrees) (.50 NPT x .75 Bars)		1	
32	0032	8600891	HOSE Molded		1	
33	0032	8080441	HOSE Molded		1	

Closed Cooling System

Closed Cooling System



14159

Closed Cooling System

Ref #	Part Class	Part Number	Description	Comments	Qty	Note
34	0000	32877	PLUG Transom Plate Water Inlet Block Off		1	
NS	0019	8079923	COVER Hose Clamp End		AR	
-	0027	861246A98	GASKET SET		1	

PART NOTES:

- [1] - Component Of Engine Overhaul Gasket Set 861246A98
- [2] - Alternate part numbers:
99155 1Service Part
99155T 1Kit
- [3] - Alternate part numbers:
53045 1Service Part
53045Q01QS
Component Of Engine Overhaul Gasket Set 861246A98

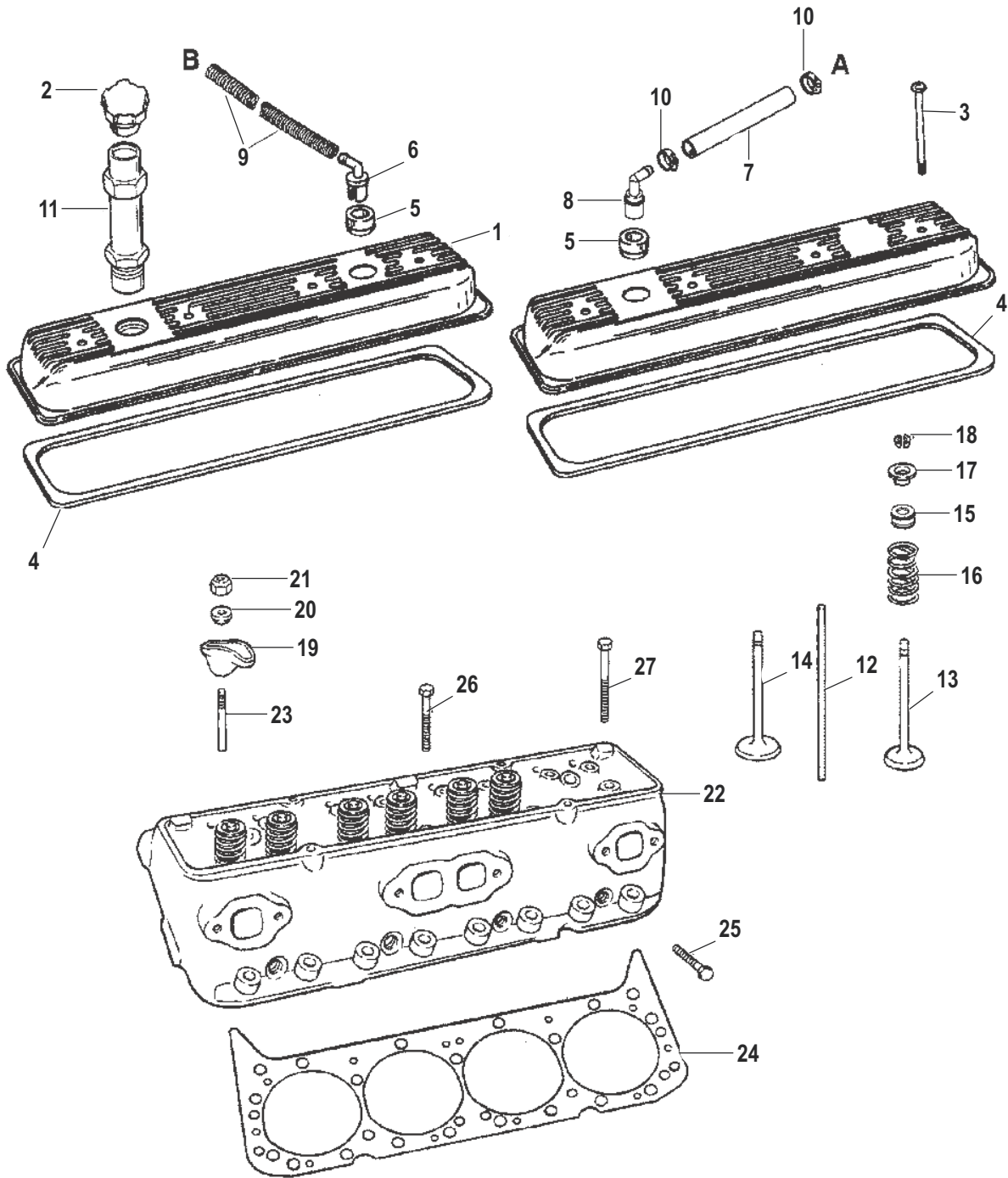
Sea Water Pump Assembly

Ref #	Part Class	Part Number	Description	Comments	Qty	Note
1	0046	807151A9	PUMP ASSEMBLY Sea Water		1	
2	0046	807151A14	BODY/IMPELLER KIT		1	
3	0025	33465	O-RING		1	
4	0010	807356	SCREW (.312-18 x 2.680)		2	
4	0010	74191	SCREW (.312-18 x 3.250)		3	
5	0012	814806	WASHER (.344 x .688 x .065) Stainless Steel		5	
6	0047	59362T1	IMPELLER		1	[1]
7	0025	94288	QUAD RING		1	
8	0000	94576	WEAR PLATE Inner		1	
9	0046	94913A5	HOUSING ASSEMBLY Pump		1	
10	0026	90562	SEAL (1.254 x .312)		2	
11	0030	72961	BEARING Ball		2	
12	0000	59501A1	SHAFT		1	
13	0053	23720	RING Retaining		1	
14	0026	72785	SEAL		1	
15	0000	861579	PULLEY		1	
16	0013	39107	LOCKWASHER (.312-24)		3	
17	0011	21908	NUT (.312-18) Cad Plated		3	
18	0000	8077491	BRACKET		1	
19	0010	34353	SCREW (.375-16 x 1.00)		2	
20	0013	35048	LOCKWASHER (.375)		2	
21	0012	34714	WASHER		1	

PART NOTES:

- [1] - Alternate part numbers:
59362Q01QS
59362T 1Service Part

Cylinder Head And Rocker Cover



14161

Cylinder Head And Rocker Cover

Ref #	Part Class	Part Number	Description	Comments	Qty	Note
1	0000	809995	COVER Rocker	(With Oil Fill Hole)	1	[1]
1	0000	809996	COVER Rocker	(With Out Oil Fill Hole)	1	[1]
2	0036	187101	CAP Oil Fill		1	[1]
3	0010	17344	SCREW		8	[1]
4	0027	17467	GASKET Rocker Cover		2	[2]
5	0025	52188	GROMMET		2	
6	0000	97850	ELBOW 90 Degree		1	
7	0032	86197763	HOSE (33.00 Inches Bulk)		1	
8	0021	861476	VALVE PCV		1	
9	0032	1589424	HOSE (16.50 Inches Bulk)		1	
10	0054	815504105	CLAMP Worm Gear (11-18 mm)		2	
11	0000	807688T	TUBE Oil Fill		1	
12	0000	173391	PUSH ROD		16	[1]
13	0000	8243171	VALVE		8	[1]
13	0000	8243181	VALVE		AR	
14	0000	802555	VALVE Standard	(5.0L)	8	[1]
14	0000	809992	VALVE	(5.7L)	8	[1]
15	0026	976641	SEAL Intake		8	[2]
15	0026	804507	SEAL Exhaust		8	[3]
16	0024	483471	SPRING		16	[1]
17	0000	483481	CAP		16	[1]
18	0028	547971	KEY		32	[1]
19	0000	35329	ARM KIT Rocker		16	[1]
20	0000	35331	BALL Rocker Arm		16	[1]
21	0011	34516	NUT		16	[1]
22	0938	802556	CYLINDER HEAD ASSEMBLY	(5.0L)	2	[1]
22	0938	803860T	CYLINDER HEAD ASSEMBLY Cylinder	(5.7L)	2	[4]
23	0016	34522	STUD		AR	
23	0016	34521	STUD		AR	
24	0027	75611	GASKET		2	[2]
25	0010	11968	SCREW (.437-14 x 1.750)		16	[1]
26	0010	119671	SCREW (.437-14 x 3.00)		4	[1]
27	0010	11966	SCREW (.437-14 x 3.750)		14	[1]
-	0027	861246A98	GASKET SET		1	

PART NOTES:

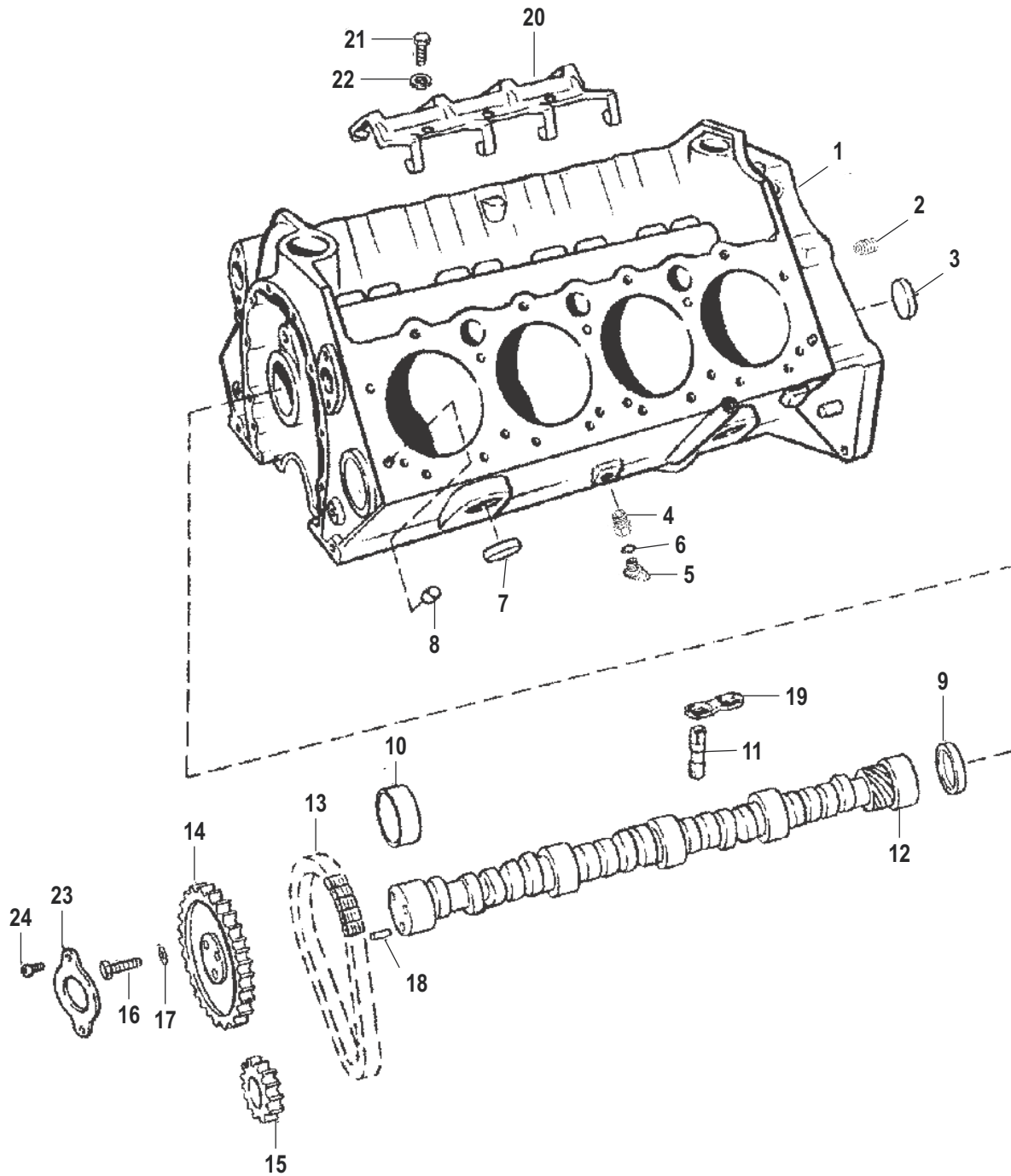
- [1] - Component Of Long Block Assembly
- [2] - Component Of Engine Overhaul Gasket Set 861246A98
Component Of Long Block Assembly
- [3] - See Service Bulletin 2004-05
Component Of Engine Overhaul Gasket Set 861246A98
Component Of Long Block Assembly
- [4] - Alternate part numbers:

803860TQS

8M0115137Kit
Component Of Long Block Assembly

Cylinder Head And Rocker Cover

Cylinder Block And Camshaft



14162

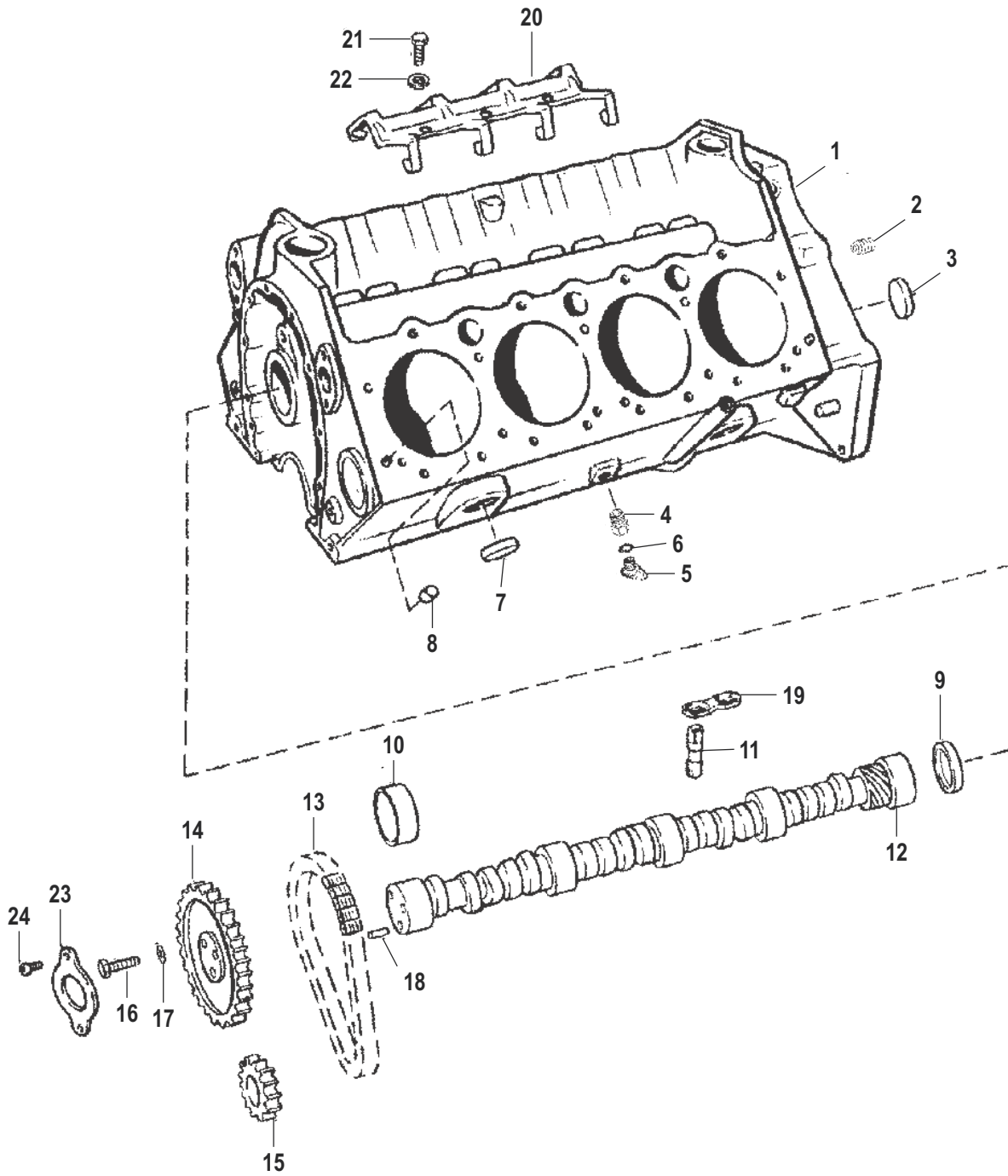
Cylinder Block And Camshaft

Ref #	Part Class	Part Number	Description	Comments	Qty	Note
1		NSS	NOT SOLD SEPARATE Cylinder Block Assembly	(5.0L) (Order Long Block 861447A1)	1	[1]
1		NSS	NOT SOLD SEPARATE Cylinder Block Assembly	(5.7L) (Order Long Block 863661A1)	1	[1]
2	0022	48340	PLUG (.250-18 x .41)		3	[1]
3	0019	816565	PLUG Cup (.468)		5	[1]
4	0022	860088	BUSHING		1-2	[1]
5	0022	806608A1	PLUG KIT (.500-13) Royal Blue		2	[2]
6	0025	32509	O-RING (.489 x .070)		2	[3]
7	0019	34270	EXPANSION PLUG (1.625)		8	[1]
8	0017	35465	PIN Dowel (.312) Dowel (.3125 Inch)		4	[1]
9	0022	72640	PLUG Rear Camshaft		1	[1]
10	0023	85674	BEARING SET		1	[1]
11	0000	17340T1	LIFTER Roller		16	[1]
12	0431	811658	CAMSHAFT		1	[1]
13	0000	17161T	CHAIN Timing		1	[1]
14	0043	8116591	SPROCKET Camshaft		1	[1]
15	0043	17160	SPROCKET Crankshaft		1	[1]
16	0010	35339	SCREW (.312-18 x .750)		3	[1]
17	0012	848136	WASHER (.328 x .680 x .190)		3	[1]
18	0017	35312	PIN Dowel (1/4 In. Diameter)		1	[1]
19	0000	17341	GUIDE Lifter		8	[1]
20	0000	811662	RETAINER Lifter Guide		1	[1]
21	0010	34500	SCREW (.312-18 x .625)		3	[1]
22	0012	811664	WASHER (.3125 Inch) (.3125 Inch)		3	[1]
23	0000	845941	RETAINER		1	[1]
24	0010	17343	SCREW (.250-20 x .500)		2	[1]
-	0000	861447A1	MARINE LONG BLOCK ENGINE	(5.0L)	1	[4]
-	0000	863661A1	Longblock Assembly	(5.7L)	1	[5]
-	0092	809825	RTV SILICONE (3 Ounce Tube) Metallic Blue Where Applicable		1	
-	0092	342271	SEALING COMPOUND (16 Ounce) Where Applicable		1	
-	0027	861246A98	GASKET SET		1	

PART NOTES:

- [1] - Component Of Long Block Assembly
- [2] - Alternate part numbers:
806608A 1Service Part
806608Q01QS
Component Of Long Block Assembly
- [3] - Component Of Engine Overhaul Gasket Set 861246A98
Component Of Long Block Assembly
- [4] - Alternate part numbers:
861447A 1QS
861447R 5Reman

Cylinder Block And Camshaft

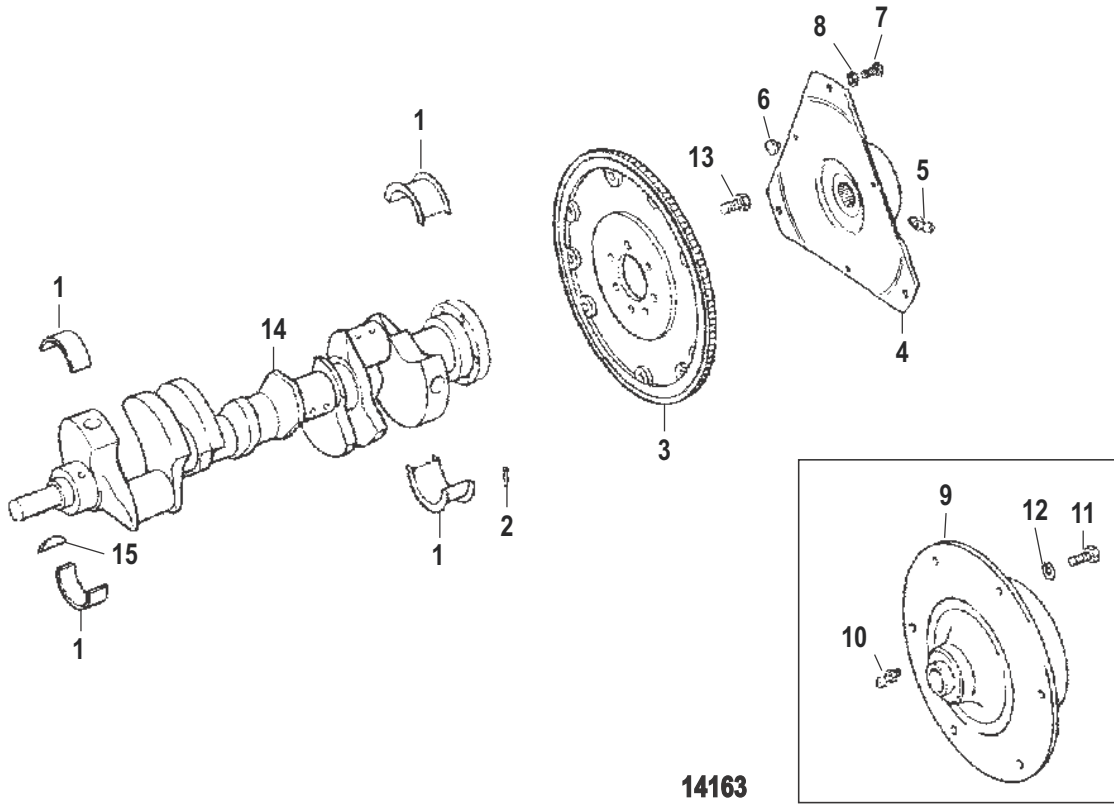


14162

Cylinder Block And Camshaft

- [5] - Alternate part numbers:
- 807449R01Reman Plat.
 - 807449R 5Reman
 - 807449R50Reman Int'l
 - 863661A 1QS

Crankshaft And Flywheel



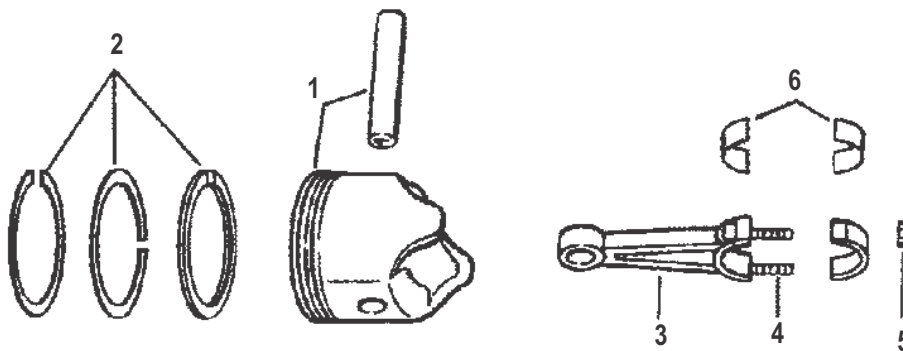
Crankshaft And Flywheel

Ref #	Part Class	Part Number	Description	Comments	Qty	Note
1	0023	818465	BEARING SET 5 Pair	(Standard)	1	[1]
1	0023	818466	BEARING SET 5 Pair	(.001 USA)	AR	
1	0023	818467	BEARING SET 5 Pair	(.010 USA)	AR	
1	0023	818468	BEARING SET 5 Pair	(.020 USA)	AR	
2	0017	43504	PIN Dowel (.250 Inch)		2	[1]
3	0222	9520	FLYWHEEL		1	[1]
4	0000	18643A5	COUPLING ASSEMBLY	(5.0L/5.7L Alpha Engines 5.0L Bravo Engines)	1	
5	0022	74036	FITTING Grease	(5.0L/5.7L Alpha Engines 5.0L Bravo Engines)	1	
6	0000	18644	BUMPER Rubber	(5.0L/5.7L Alpha Engines 5.0L Bravo Engines)	3	
7	0010	14883	SCREW (.375-16 x 1.12)	(5.0L/5.7L Alpha Engines 5.0L Bravo Engines)	3	
8	0012	13510	WASHER	(5.0L/5.7L Alpha Engines 5.0L Bravo Engines)	3	
9	0000	861523A9	COUPLER ASSEMBLY Engine - Short Aluminum Hub	(5.7L Bravo Engines)	1	
9	0000	861523A11	COUPLER ASSEMBLY Engine Steel Hub For Work Applications		OPT	
10	0022	49099	FITTING	(5.7L Bravo Engines)	2	
11	0010	14883	SCREW (.375-16 x 1.12)	(5.7L Bravo Engines)	6	
12	0012	20572	WASHER (.390 x .750 x .093)	(5.7L Bravo Engines)	6	
13	0010	49845	SCREW (.437-20 x 1.00)		6	[1]
14	0429	95211	CRANKSHAFT		1	[1]
15	0028	34466	KEY		2	[1]

PART NOTES:

[1] - Component Of Long Block Assembly

Pistons And Connecting Rods



14164

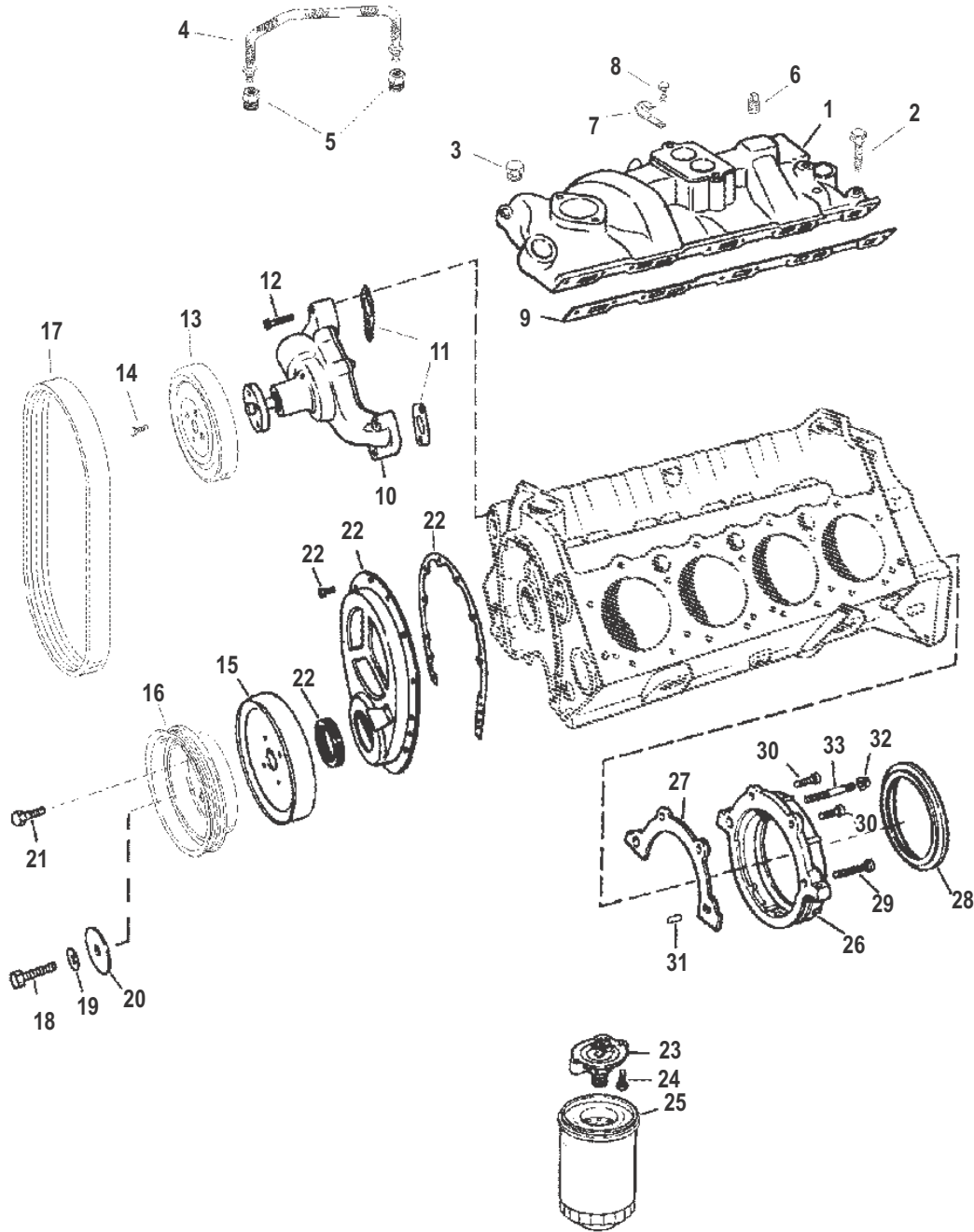
Pistons And Connecting Rods

Ref #	Part Class	Part Number	Description	Comments	Qty	Note
1	0735	802557T	PISTON ASSEMBLY Standard	(Standard) 5.0L	8	
1	0735	802558T	PISTON ASSEMBLY .030 Oversize	(.030 Over Size) 5.0L	AR	
2	0039	802559	RING SET	(Standard) 5.0L	8	[1]
2	0039	802560	RING SET	(.030 Over Size) 5.0L	AR	
1	0735	835001T	PISTON ASSEMBLY	(Standard) 5.7L	8	[1]
1	0735	835002T	PISTON ASSEMBLY	(.5MM Over Size) 5.7L	AR	
2	0039	801861T1	RING SET Piston	(Standard) 5.7L	8	[1]
2	0039	835000	RING SET Piston	(.5MM Over Size) 5.7L	AR	
3	0614	8164T	CONNECTING ROD ASSEMBLY		8	[1]
4	0010	85802	SCREW (.375-24 x Special)		16	
5	0011	37493	NUT (.375-24)		16	
6	0023	85701	BEARING	(Pair, Standard)	8	[1]
6	0023	85702	BEARING	(Pair - .001 USA)	AR	
6	0023	85703	BEARING	(Pair - .002 USA)	AR	
6	0023	85704	BEARING	(Pair - .010 USA)	AR	
6	0023	85705	BEARING	(Pair - .020 USA)	AR	

PART NOTES:

[1] - Component Of Long Block Assembly

Intake Manifold And Front Cover



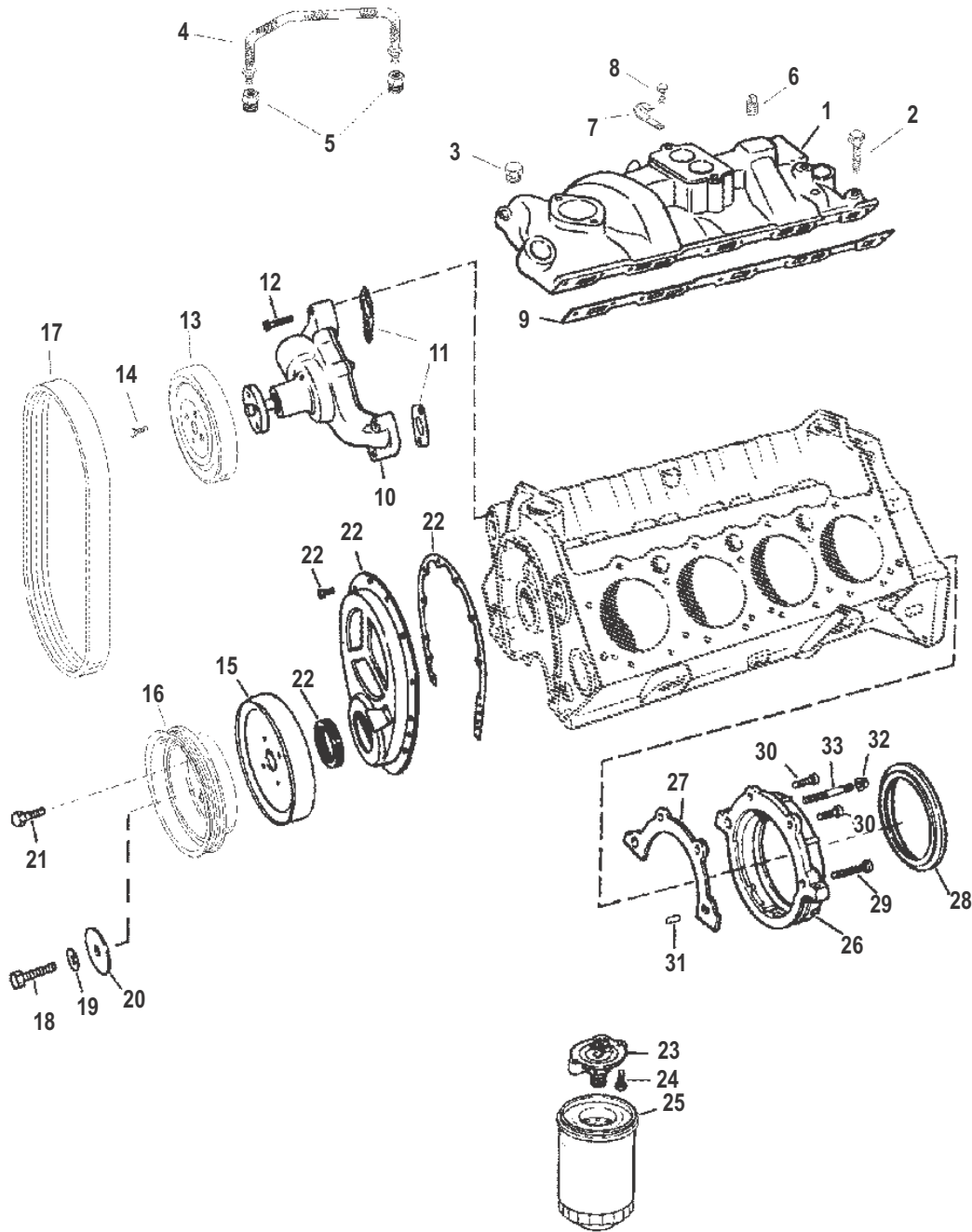
14165

Intake Manifold And Front Cover

Ref #	Part Class	Part Number	Description	Comments	Qty	Note
1	0000	860100A2	MANIFOLD ASSEMBLY Intake		1	
2	0010	808010	SCREW (.312-18 x 1.375)		8	
3	0022	860075	PLUG Pipe (.500-14)		3	
4	0032	861213	TUBE		1	
5	0022	805563	CONNECTOR (.500 Inch NPTF To .500 Inch Inverted Flare) (.50 Inch NPTF To .50 Inch Inv. Flare)		2	
6	0022	48358	PLUG (.375)		1	
7	0054	73668	J-CLIP		2	
8	0010	86750	SCREW (.312-18 x .620)		2	
9	0027	807473A1	GASKET SET		1	[1]
10	0000	8503991	PUMP ASSEMBLY Water		1	[2]
11	0027	34897	GASKET		2	[3]
12	0010	32132	SCREW (.375-16 x 1.750)		1	[4]
12	0010	47688	SCREW (.375-16 x 2.750)		1	[4]
12	0016	35342	STUD (.312-24/.375-16 x 2.5625)		2	[4]
13	0000	807729T	PULLEY		1	
14	0010	47277	SCREW (.312-24 x .750)		4	
15	0000	852946	BALANCER Harmonic		1	[4]
16	0000	807730T	PULLEY		1	
17	0057	861758A1	BELT Serpentine	(Standard Cooling) (Alpha) (Pully Kits. Refer To Parts Bulletin 98-1.)	1	
17	0057	861757A1	BELT Serpentine	(Standard Cooling) (Bravo) (Pully Kits. Refer To Parts Bulletin 98-1.)	1	
17	0057	861049A1	BELT Serpentine	(Closed Cooling) (Pully Kits. Refer To Parts Bulletin 98-1.)	1	
17	0057	861758	BELT Serpentine	(Standard Cooling) (Alpha) (Belt Only. Use With Metal Power Steering Pulley.)	1	[5]
17	0057	8077555	BELT Serpentine	(Standard Cooling) (Compact Steering) (Alpha) (Belt Only. Use With Metal Power Steering Pulley.)	1	[5]
17	0057	861757	BELT Serpentine	(Standard Cooling) (Bravo) (Belt Only. Use With Metal Power Steering Pulley.)	1	[5]
17	0057	861049	BELT Serpentine	(Closed Cooling) (Belt Only. Use With Metal Power Steering Pulley.)	1	[5]
18	0010	32515	SCREW (.437-20 x 2.50)		1	[4]
19	0013	39131	LOCKWASHER (.437)		1	[4]
20	0012	35332	WASHER		1	[4]
21	0010	34352	SCREW (.375-24 x .875)		3	
22	0000	835005	COVER ASSEMBLY Timing	(Screws-Grommets-Oil Seal And Gasket Are Not Sold Separately.)	1	[4]
23	0000	53338	VALVE ASSEMBLY Filter	(With Out Remote Oil Filter)	1	[4]

Intake Manifold And Front Cover

Intake Manifold And Front Cover



14165

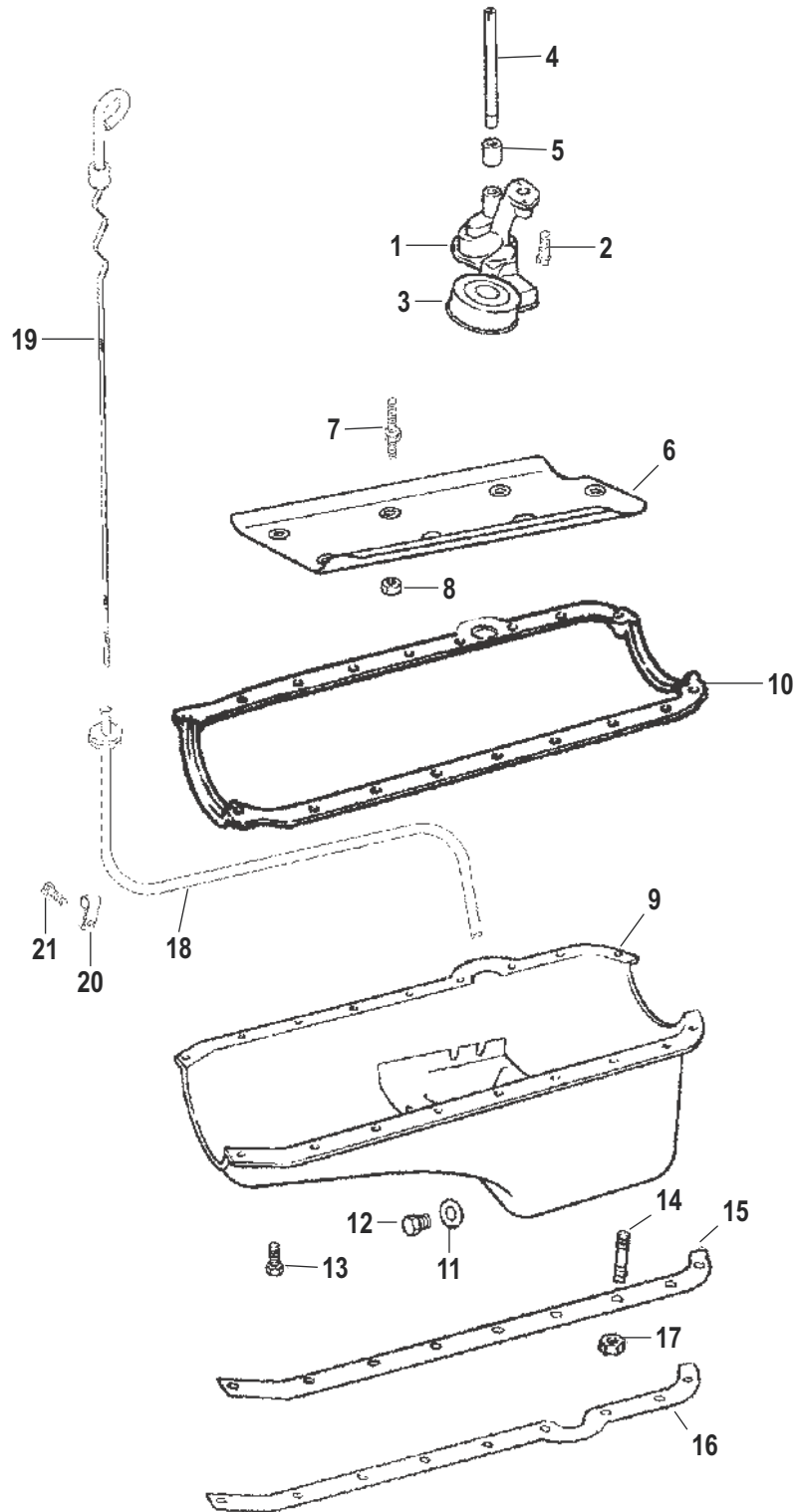
Intake Manifold And Front Cover

Ref #	Part Class	Part Number	Description	Comments	Qty	Note
24	0010	54786	SCREW (.312-18 x 1.250)	(With Out Remote Oil Filter)	2	
25	0035	802885Q	FILTER Oil	(With Out Remote Oil Filter)	1	[6]
26	0000	852940	HOUSING ASSEMBLY With Studs		1	[4]
27	0027	881715	GASKET		1	[1]
28	0026	852941	SEAL Oil (Rear)		1	[1]
29	0010	14243	BOLT (.250-20 x 1.750)		1	[4]
30	0010	14242	BOLT (.250-20 x .875)		2	[4]
31	0017	14263	PIN Dowel		1	[4]
32	0011	816730	NUT (.250-20)		1	[4]
33	0016	14827	STUD (.250-20 x 2.180)		1	[4]
-	0027	861246A98	GASKET SET		1	

PART NOTES:

- [1] - Component Of Engine Overhaul Gasket Set 861246A98
Component Of Long Block Assembly
- [2] - Alternate part numbers:
850399 1QS
850399R04Reman
Component Of Long Block Assembly
- [3] - Component Of Engine Overhaul Gasket Set 861246A98
- [4] - Component Of Long Block Assembly
- [5] - See Service Bulletin 2004-05
- [6] - Alternate part numbers:
14957Service Part
802885QQS
802885TMPP
Component Of Long Block Assembly

Oil Pan And Oil Pump



1721

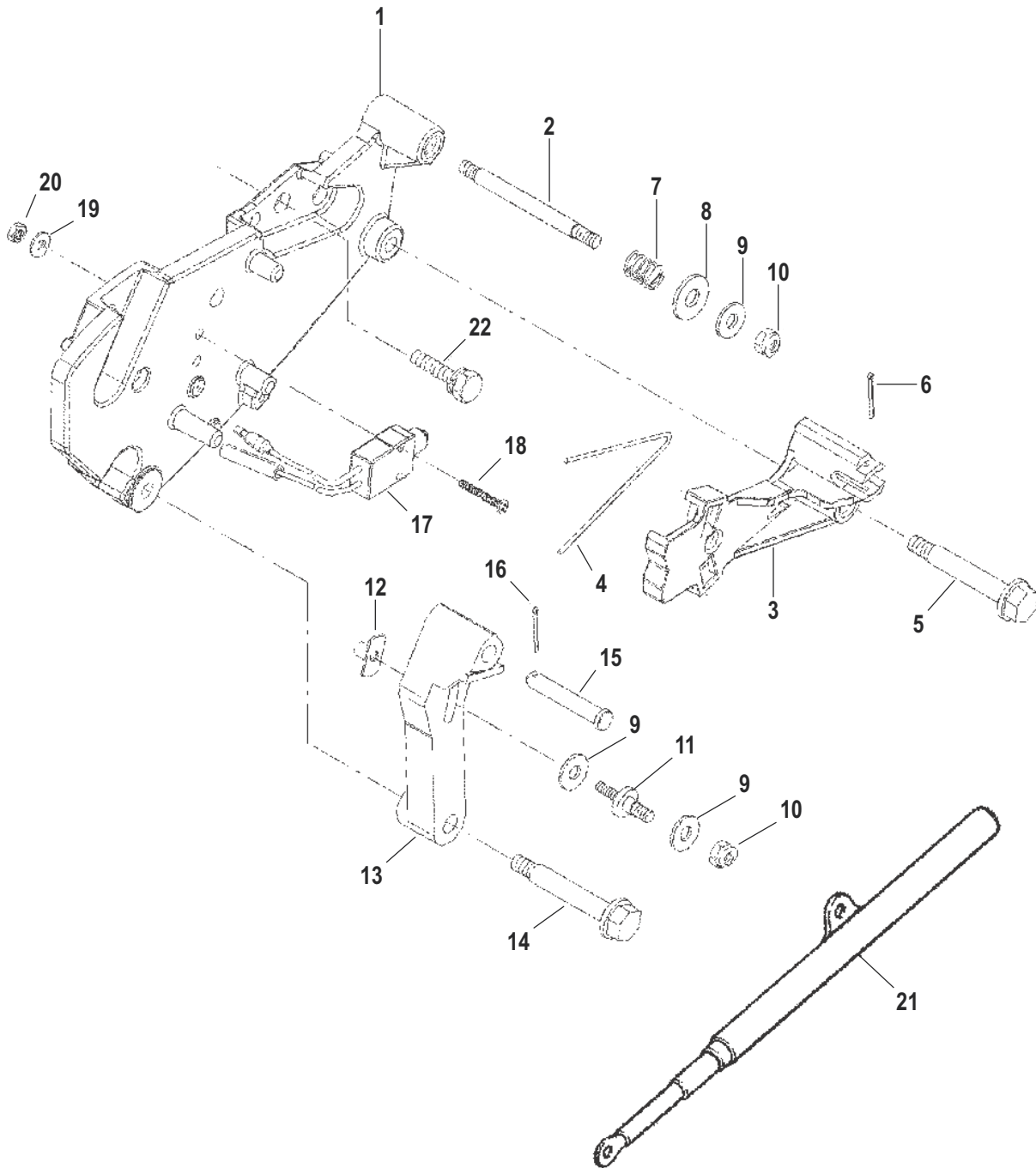
Oil Pan And Oil Pump

Ref #	Part Class	Part Number	Description	Comments	Qty	Note
1	0000	8099071	PUMP ASSEMBLY		1	[1]
2	0010	17346	SCREW		1	[1]
3	0000	809909	SCREEN Oil Pump Pick Up		1	[1]
4	0000	36184	SHAFT		1	[1]
5	0023	36183	RETAINER		1	[2]
6	0000	986021	DEFLECTOR Oil		1	[1]
7	0016	850090	STUD (.437-14/.375-16 x 3.360)		5	[1]
8	0011	850091	NUT (.375-16)		5	[1]
9	0000	809910	PAN Oil		1	[1]
10	0027	138651	GASKET Oil Pan		1	[3]
11	0027	49955	GASKET Drain		1	[3]
12	0010	809911	SCREW Oil Drain (M12 x 1.75)		1	
13	0010	14070	SCREW (.250-20 x .625)		14	[1]
14	0016	11989	STUD (.312-18 x 1.6718)		4	[1]
15	0000	14257	REINFORCEMENT	(Port)	1	[1]
16	0000	14256	REINFORCEMENT	(Starboard)	1	[1]
17	0011	11971	NUT (.312-18)		4	[1]
18	0000	860143A2	TUBE Dipstick	[0L680091] & Below	1	[1]
18	0000	862704A4	TUBE Dipstick	[0L680092] & Up	1	
19	0000	861942T7	DIPSTICK	[0L680091] & Below	1	[1]
19	0000	861942T9	DIPSTICK Oil Level	[0L680092] & Up	1	
20	0054	805625	CLIP Dipstick Tube		1	[1]
21	0010	35366	SCREW		1	
-	0027	861246A98	GASKET SET		1	

PART NOTES:

- [1] - Component Of Long Block Assembly
- [2] - Component Of Engine Overhaul Gasket Set 861246A98
- [3] - Component Of Engine Overhaul Gasket Set 861246A98
Component Of Long Block Assembly

Shift Bracket (Alpha Engines)

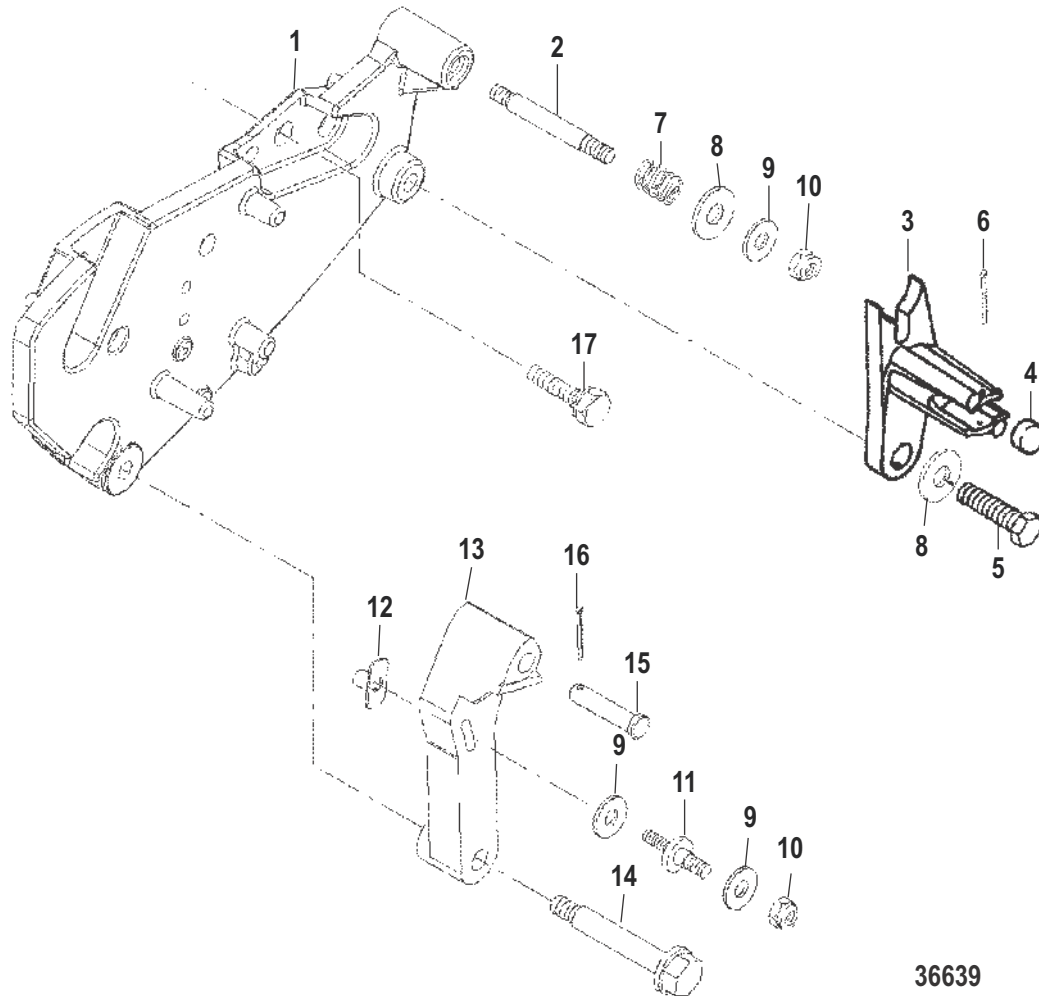


14166

Shift Bracket (Alpha Engines)

Ref #	Part Class	Part Number	Description	Comments	Qty	Note
1	0000	807962A3	BRACKET ASSEMBLY		1	
2	0016	8140021	STUD (.250 x 2.870)		1	
3	0000	13051A8	LEVER ASSEMBLY Actuating		1	
4	0024	455991	SPRING		1	
5	0010	13743	SCREW (.312-18 x 1.843) Shoulder		1	
6	0018	32857	COTTER PIN		1	
7	0024	98880	SPRING		1	
8	0012	56720	WASHER (.330 x .750 x .060) Stainless Steel		1	
9	0012	35462	WASHER (.2656 x .625 x .0625) Stainless Steel		4	
10	0011	13438	NUT (.250-28)		2	
11	0016	96112	STUD (.250-28 x 2.00) Throttle Cable Anchor		1	
12	0011	63341	TEE NUT		1	
13	0000	13898A3	LEVER ASSEMBLY Shift		1	
14	0010	13743	SCREW (.312-18 x 1.843) Shoulder		1	
15	0017	814001	PIN Clevis		1	
16	0018	21071	COTTER PIN		1	
17	0087	808009A1	SWITCH ASSEMBLY		1	
18	0010	860077	SCREW (#6-32 x 1.00)		2	
19	0012	11303	WASHER		2	
20	0011	F1669	NUT (#6-32)		2	
21	0000	813995A1	GUIDE ASSEMBLY Spring		1	
22	0010	657461	SCREW AND LOCKWASHER (.250- 20 x .625)		3	

Shift Bracket (Bravo Engines)

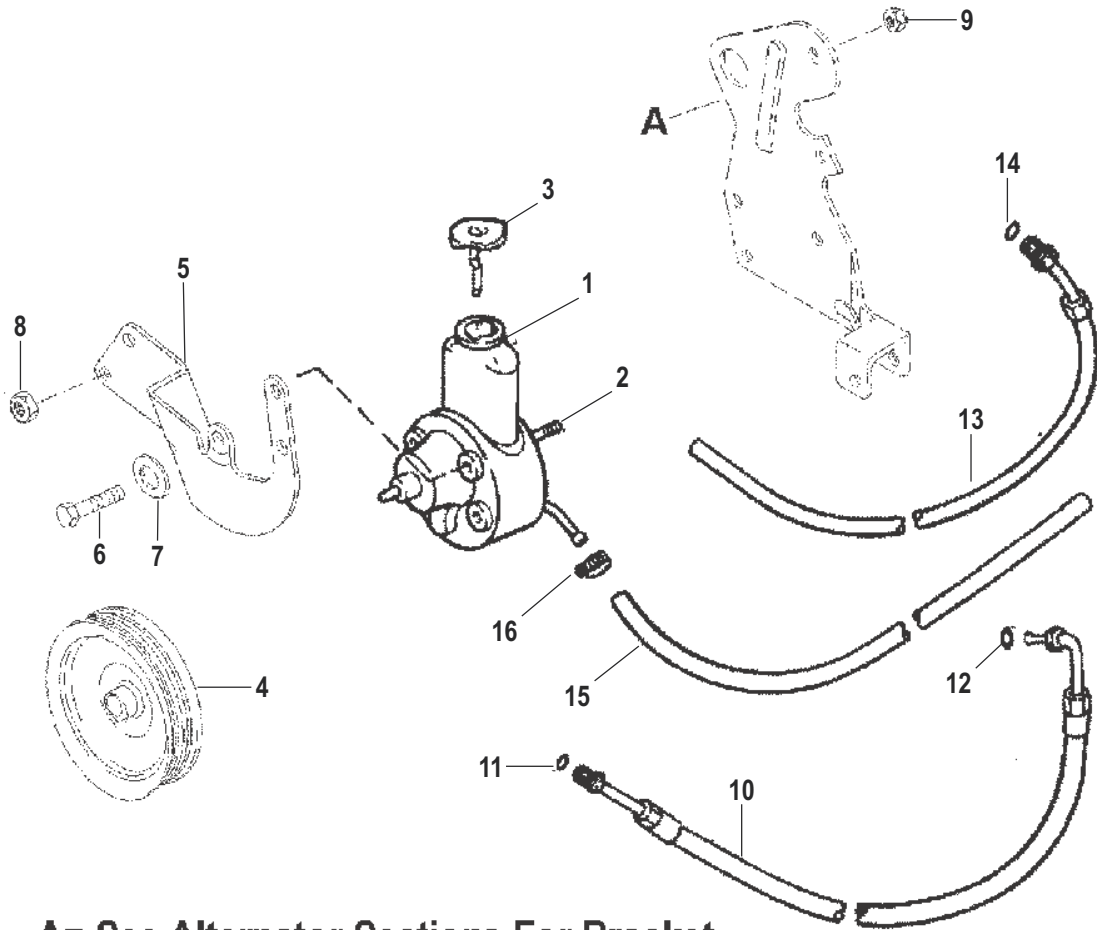


36639

Shift Bracket (Bravo Engines)

Ref #	Part Class	Part Number	Description	Comments	Qty	Note
1	0000	807962A3	BRACKET ASSEMBLY		1	
2	0016	987981	STUD (.250-20/.250-28 x 2.120)		1	
3	0000	123811	RETAINER		1	
4	0023	98828	SPACER		1	
5	0010	53167	SCREW (.312-18 x .880)		1	
6	0018	32857	COTTER PIN		1	
7	0024	98880	SPRING		1	
8	0012	56720	WASHER (.330 x .750 x .060) Stainless Steel		2	
9	0012	35462	WASHER (.2656 x .625 x .0625) Stainless Steel		4	
10	0011	13438	NUT (.250-28)		2	
11	0016	96112	STUD (.250-28 x 2.00) Throttle Cable Anchor		1	
12	0011	63341	TEE NUT		1	
13	0000	138981	LEVER		1	
14	0010	13743	SCREW (.312-18 x 1.843) Shoulder		1	
15	0017	68402	PIN (.250 x 1.13)		1	
16	0018	21071	COTTER PIN		1	
17	0010	657461	SCREW AND LOCKWASHER (.250- 20 x .625)		3	

Power Steering Components



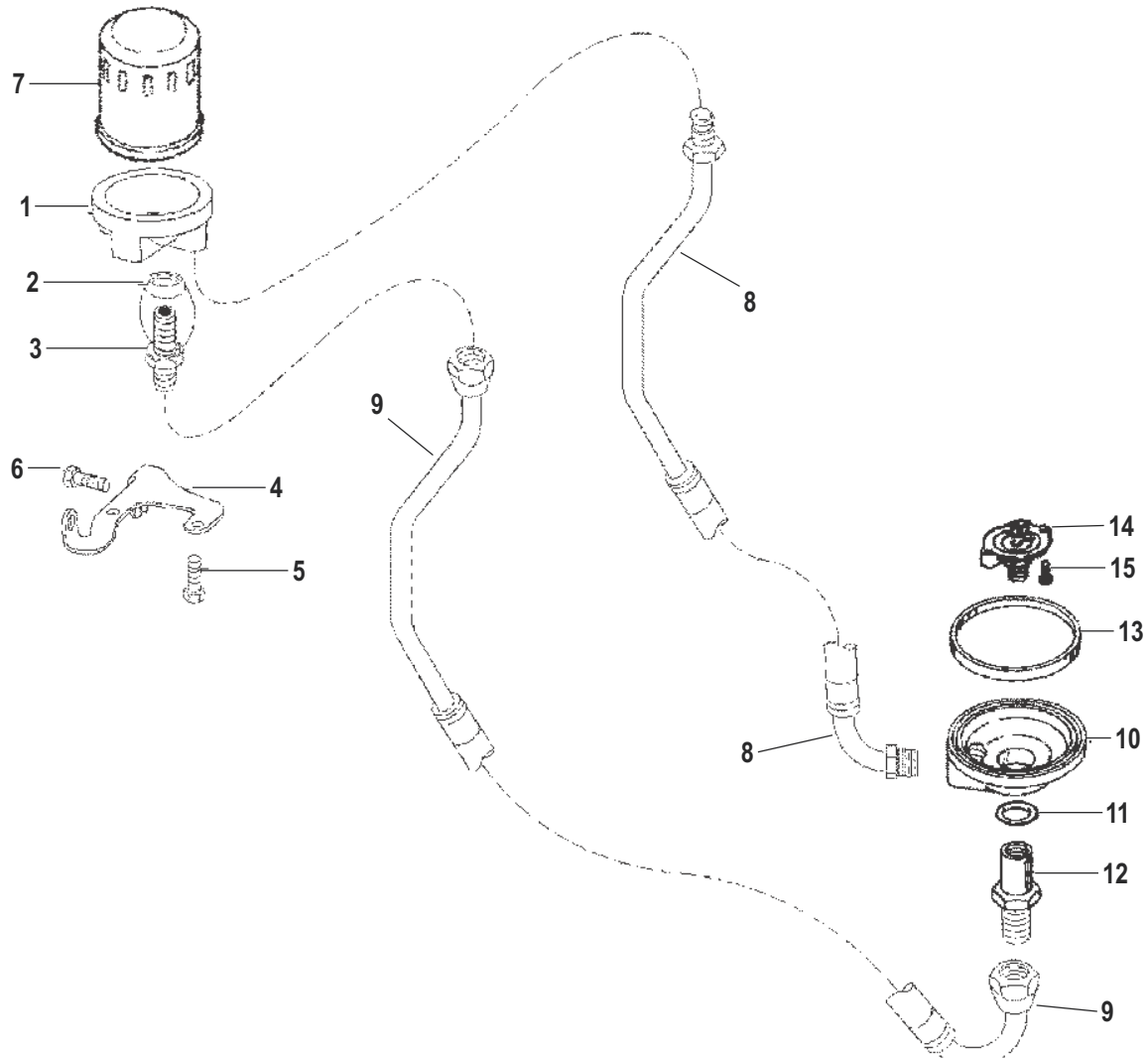
A= See Alternator Sections For Bracket

14168

Power Steering Components

Ref #	Part Class	Part Number	Description	Comments	Qty	Note
1	0000	16792A39	PUMP ASSEMBLY		1	
2	0016	41877	STUD (M10)		2	
3	0036	95805	CAP		1	
4	0000	861578	PULLEY		1	
5	0000	807751T	BRACE		1	
6	0010	40001188	SCREW (M10 x 20)		3	
7	0012	34714	WASHER		3	
8	0011	32219	NUT (.375-16)		3	
9	0011	90517	NUT (M10)		1	
10	0032	80622216	HOSE	(Fittings On Both Ends)	1	
11	0025	89879	O-RING (.301 x .064)		1	
12	0025	806232	O-RING (.239 x .064)		1	
13	0032	80622142	HOSE ASSEMBLY (84.00 Inches Bulk) Return	(Fitting On One End)	1	
14	0025	89879	O-RING (.301 x .064)		1	
15	0032	5251914	HOSE (53.00 Inches Bulk) Pump To Oil Cooler		1	
16	0054	815504105	CLAMP Worm Gear (11-18 mm)		3	
NS	0019	8079921	COVER Hose Clamp End		AR	

Remote Oil Filter



14169

Remote Oil Filter

Ref #	Part Class	Part Number	Description	Comments	Qty	Note
1	0000	806329T	ADAPTER Oil Filter		1	
2	0026	42077	SEAL		1	[1]
3	0022	806328	FITTING		1	
4	0000	807459T	BRACKET		1	
5	0010	98257	SCREW (.312-18 x .500)		2	
6	0010	98261	SCREW (.375-16 x .750)		1	
7	0035	802885Q	FILTER Oil		1	[2]
8	0032	860207A1	HOSE ASSEMBLY Oil		1	
9	0032	860208	HOSE ASSEMBLY Oil		1	
10	0000	818400A1	ADAPTER		1	
11	0026	42077	SEAL		1	[1]
12	0022	806121	FITTING		1	
13	0027	91892	GASKET		1	[1]
14	0000	53338	VALVE ASSEMBLY Filter		1	
15	0010	54786	SCREW (.312-18 x 1.250)		2	
-	0027	75611A98	GASKET SET Engine Overhaul		1	

PART NOTES:

[1] - Component Of Engine Overhaul Gasket Set 861246A98

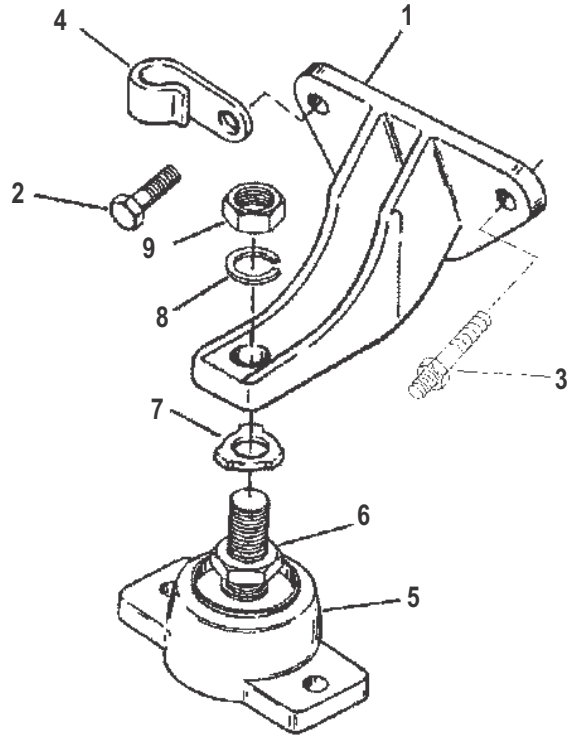
[2] - Alternate part numbers:

14957Service Part

802885QQS

802885TMPP

Engine Mounting

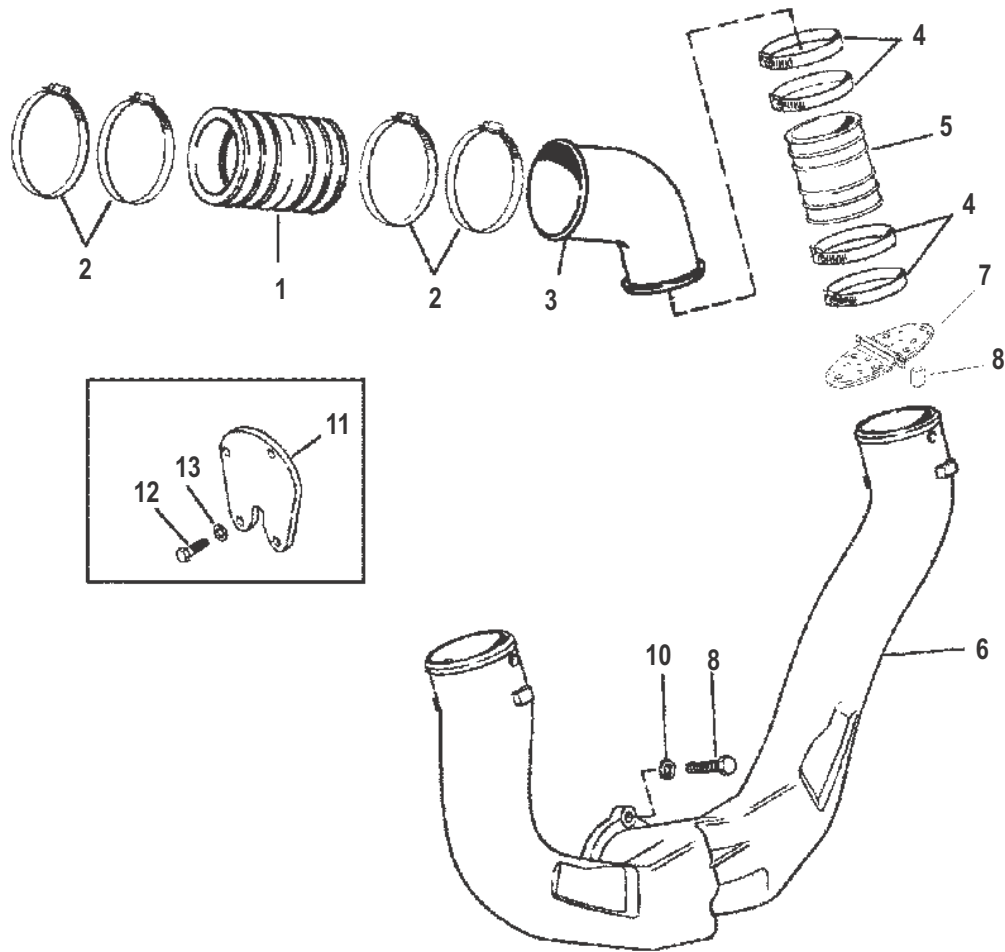


14170

Engine Mounting

Ref #	Part Class	Part Number	Description	Comments	Qty	Note
1	0000	79550A1	BRACKET		2	
2	0010	68101	SCREW (.375-16 x 1.375)		2	
3	0016	805357	STUD (.375-16 x 2.130)		4	
4	0054	816398	CLIP		1	
5	0000	66284A2	BASE ASSEMBLY		2	
6	0011	20739	NUT (.750-16)		2	
7	0014	12657	TAB WASHER		2	
8	0013	68102	LOCKWASHER (.750)		2	
9	0011	20739	NUT (.750-16)		2	

Exhaust System

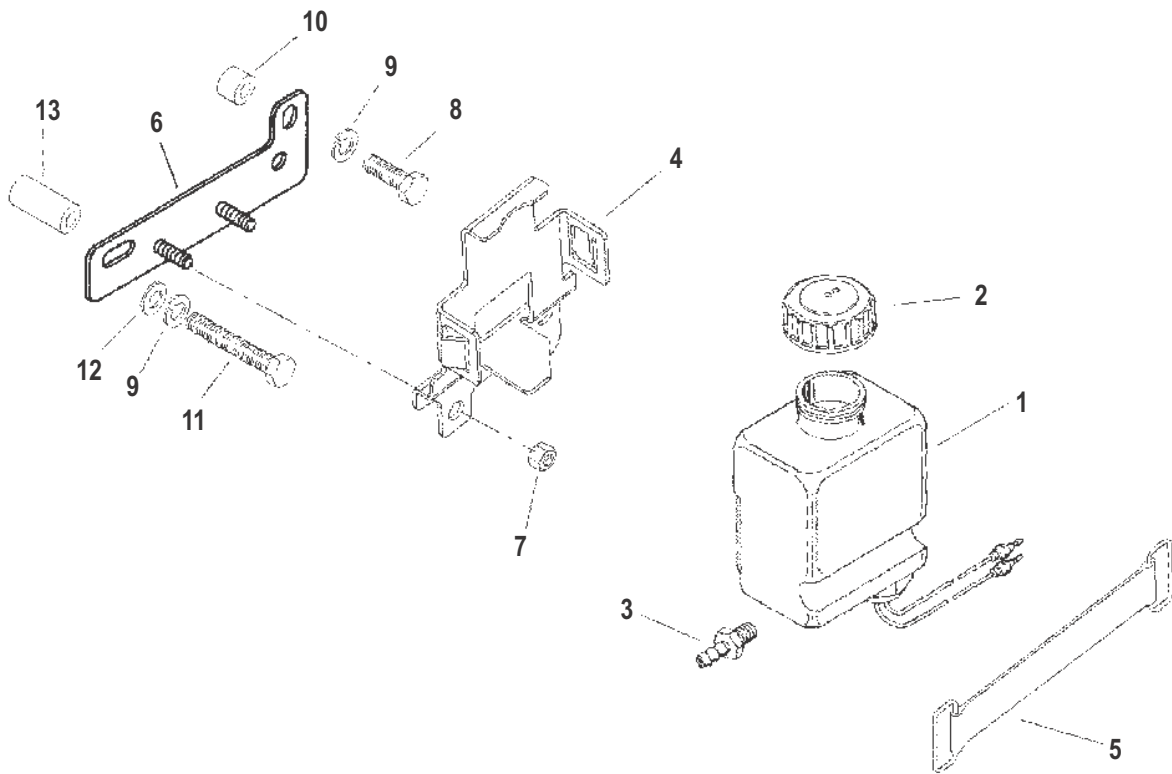


14171

Exhaust System

Ref #	Part Class	Part Number	Description	Comments	Qty	Note
1	0032	44348T	TUBE	(Standard)	2	
2	0054	815504272	CLAMP Worm Gear		8	
3	0000	11086T	ELBOW Port	(With Out Risers)	1	
3	0000	14343T	ELBOW Starrbard	(With Out Risers)	1	
3	0000	14801A1	ELBOW KIT Use With 3.00 Inch And 6.00 Inch Risers Kits)		1	
4	0054	815504272	CLAMP Worm Gear		8	
5	0032	14358T	TUBE		2	
6	0000	807130A4	PIPE		1	
7	0000	807166A1	SHUTTER ASSEMBLY Water		2	
8	0025	807167	GROMMET		4	
9	0010	58640	SCREW (.375-16 x 1.25)		4	
10	0013	41471	LOCKWASHER (.375)		4	
NS	0019	8079923	COVER Hose Clamp End		AR	
11	0000	861776A2	PLATE KIT	(Thru Transom)	1	
12	0010	98794	SCREW (.375-16 x 1.00)	(Thru Transom)	4	
13	0013	41471	LOCKWASHER (.375)	(Thru Transom)	4	

Oil Reservoir Bottle And Bracket

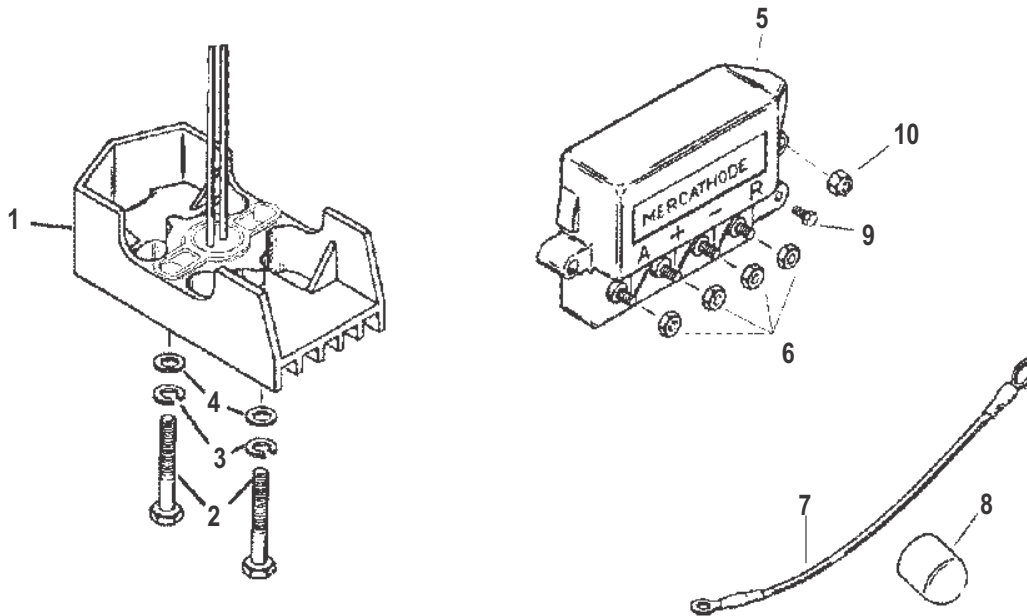


14172

Oil Reservoir Bottle And Bracket

Ref #	Part Class	Part Number	Description	Comments	Qty	Note
1	0000	806193A30	RESERVOIR		1	
2	0036	808625	CAP Drive Lube Monitor Oil Bottle		1	
3	0022	808624	CONNECTOR		1	
4	0000	860065A1	BRACKET KIT		1	
5	0000	808023T	STRAP Bracket		1	
6	0000	805367T	BRACKET		1	
7	0011	29250	NUT (.312-24)		2	
8	0010	37612	SCREW (.375-16 x 1.250)	(Standard Cooling)	1	
9	0013	35048	LOCKWASHER (.375)	(Standard Cooling)	2	
10	0023	91034	SPACER (.380 x 1.00 x .530)	(Standard Cooling)	1	
11	0010	26486	SCREW (.375-16 x 2.375)	(Tank, And Drives To Laidson Dahtand Cooling)	1	
12	0012	20553	WASHER (.406 x .734 x .063)	(Standard Cooling)	1	
13	0023	15895	SPACER (.38 x 1.00 x 1.44)	(Standard Cooling)	1	
8	0010	34353	SCREW (.375-16 x 1.00)		1	
9	0013	35048	LOCKWASHER (.375)	(Closed Cooling)	2	
10	0023	905201	SPACER (.750 x .250)	(Closed Cooling)	1	
11	0010	358701	SCREW (.375-16 x 2.00)	(Clesed Cooling)	1	
12	0012	20553	WASHER (.406 x .734 x .063)	(Closed Cooling)	1	
13	0023	861360	SPACER (1.1875)	(Closed Cooling)	1	

Mercathode Compentents

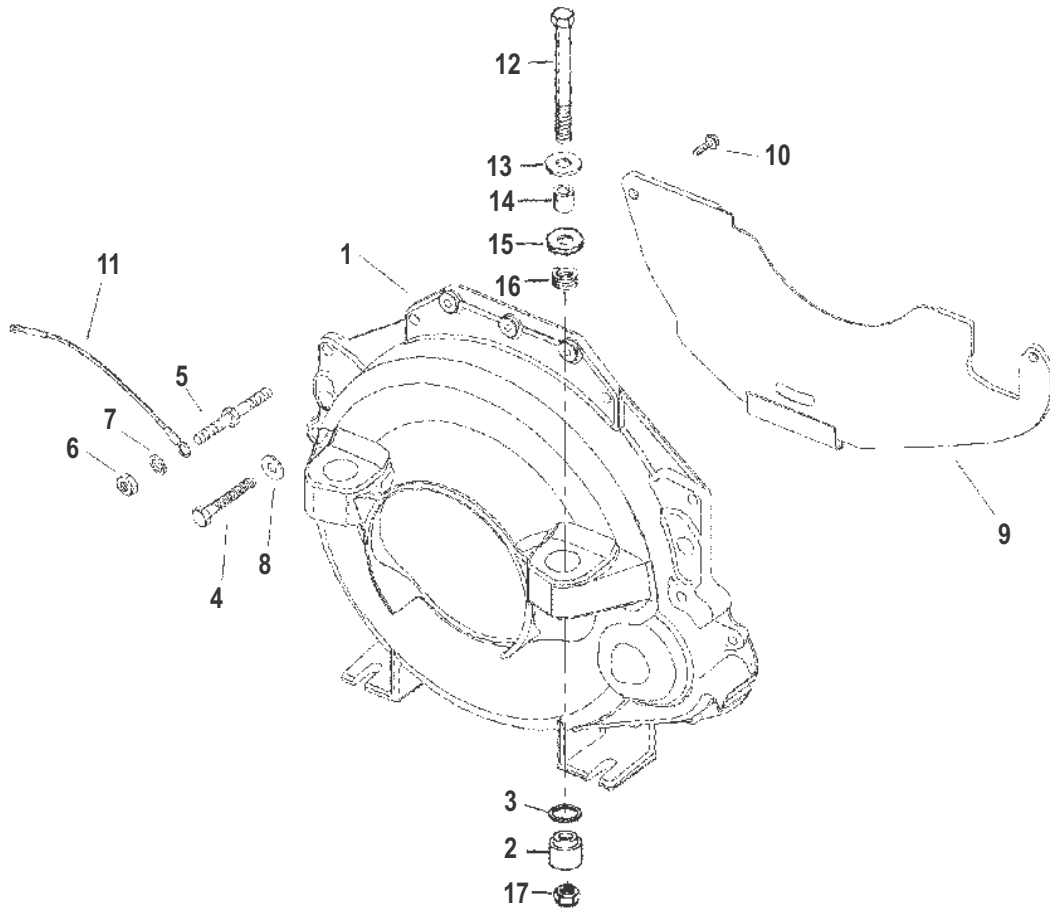


14173

Mercathode Compentents

Ref #	Part Class	Part Number	Description	Comments	Qty	Note
1	0000	98869A11	ELECTRODE ASSEMBLY		1	
2	0010	69067	SCREW (.250-20 x 1.375)		2	
3	0013	26992	LOCKWASHER (.250) Stainless Steel		2	
4	0012	29245	WASHER (.281 x .500 x .060) Stainless Steel		2	
5	0000	42600A3	CONTROLLER ASSEMBLY		1	
6	0011	68219	NUT (#10-32) Stainless Steel		4	
7	0084	88543A3	CABLE ASSEMBLY		1	
8	0000	44574	CAP		2	
9	0010	62568	SCREW (#10-16 x .375)		1	
10	0011	29488	NUT (#10-32)		2	

Flywheel Housing



14174

Flywheel Housing

Ref #	Part Class	Part Number	Description	Comments	Qty	Note
1	0000	12675A5	HOUSING ASSEMBLY Flywheel		1	
2	0000	99297A1	MOUNT ASSEMBLY Rubber		2	
3	0023	99322	SPACER		2	
4	0010	37612	SCREW (.375-16 x 1.250)		3	
4	0010	32132	SCREW (.375-16 x 1.750)		1	
5	0016	64066	STUD (.375-16 x 2.750) Special		2	
6	0011	32219	NUT (.375-16)		2	
7	0013	35048	LOCKWASHER (.375)		2	
8	0012	20572	WASHER (.390 x .750 x .093)		1	
9	0000	807260A2	COVER KIT Flywheel		1	
10	0010	76596	SCREW (.250-20 x 1.250)		2	
11	0084	62826A6	CABLE ASSEMBLY Ground (13.00 Inches) Black		1	
12	0010	97934	SCREW (.500-20 x 5.370) Special		2	
13	0012	35777	WASHER (.5156 x 1.375 x .125) Aluminum		2	
14	0023	99299	SPACER (.520 x .870 x .630)		2	
15	0012	32834	WASHER (.9375 x 1.750 x .172)		2	
16	0013	33734	LOCKWASHER (.500)		2	
17	0011	863332	NUT (.500-20) Aluminum		2	

PARTS INDEX

Part No.	Description	Pg.	Ref.no	Part No.	Description	Pg.	Ref.no
11086T	ELBOW Port	72	3	11303	WASHER	62	19
11375	STUD (.375 x 9.56)	34	17	11966	SCREW (.437-14 x 3.750)	46	27
119671	SCREW (.437-14 x 3.00)	46	26	11968	SCREW (.437-14 x 1.750)	46	25
11971	NUT (.312-18)	60	17	11989	STUD (.312-18 x 1.6718)	60	14
12244	SCREW (.375-16 x 1.00)	34	18	123811	RETAINER	64	3
12552	LIFTING EYE	36	20	12657	TAB WASHER	70	7
12675A5	HOUSING ASSEMBLY Flywheel	78	1	13051A8	LEVER ASSEMBLY Actuating	62	3
13438	NUT (.250-28)	62	10	13438	NUT (.250-28)	64	10
13510	WASHER	52	8	13524T1	WHEEL ASSEMBLY	20	5
13743	SCREW (.312-18 x 1.843) Shoulder	62	5	13743	SCREW (.312-18 x 1.843) Shoulder	62	14
13743	SCREW (.312-18 x 1.843) Shoulder	64	14	138651	GASKET Oil Pan	60	10
138981	LEVER	64	13	13898A3	LEVER ASSEMBLY Shift	62	13
14070	SCREW (.250-20 x .625)	60	13	14242	BOLT (.250-20 x .875)	58	30
14243	BOLT (.250-20 x 1.750)	58	29	14256	REINFORCEMENT	60	16
14257	REINFORCEMENT	60	15	14263	PIN Dowel	58	31
14315	SCREW (.375-16 x 4.25)	34	18	14343T	ELBOW Starrbard	72	3
14358T	TUBE	72	5	14801A1	ELBOW KIT Use With 3.00 Inch And 6.00 Inch Risers Kits)	72	3
14827	STUD (.250-20 x 2.180)	58	33	14883	SCREW (.375-16 x 1.12)	52	7
14883	SCREW (.375-16 x 1.12)	52	11	15001	SCREW (#8-16 x .875)	18	2
1589424	HOSE (16.50 Inches Bulk)	46	9	15895	SPACER (.38 x 1.00 x 1.44)	74	13
16792A39	PUMP ASSEMBLY	66	1	17160	SPROCKET Crankshaft	48	15
17161T	CHAIN Timing	48	13	173391	PUSH ROD	46	12
17340T1	LIFTER Roller	48	11	17341	GUIDE Lifter	48	19
17343	SCREW (.250-20 x .500)	48	24	17344	SCREW	46	3
17346	SCREW	60	2	1743579	HOSE (96.00 Inches Bulk)	36	24
17467	GASKET Rocker Cover	46	4	18431	PAD	40	3
18484A3	COVER	30	1	18643A5	COUPLING ASSEMBLY	52	4
18644	BUMPER Rubber	52	6	187101	CAP Oil Fill	46	2
20084	WASHER (.328 x .562 x .062)	30	20	20533	WASHER	20	27
20553	WASHER (.406 x .734 x .063)	74	12	20553	WASHER (.406 x .734 x .063)	74	12
20572	WASHER (.390 x .750 x .093)	52	12	20572	WASHER (.390 x .750 x .093)	78	8
20739	NUT (.750-16)	70	6	20739	NUT (.750-16)	70	9
21071	COTTER PIN	62	16	21071	COTTER PIN	64	16
21825	NUT (.250-28)	4	9	21908	NUT (.312-18) Cad Plated	44	17
23161	NUT (.375-24)	4	23	23720	RING Retaining	44	13
26079A2	PLATE KIT Wire Harness Mount	18	1	26419	NUT (#8-32) Brass	18	17
26484	NUT (.312-18)	12	6	26486	SCREW (.375-16 x 2.375)	74	11
269011	BUMPER Rubber	24	24	26992	LOCKWASHER (.250) Stainless Steel	4	14
26992	LOCKWASHER (.250) Stainless Steel	18	13	26992	LOCKWASHER (.250) Stainless Steel	76	3
26995	LOCKWASHER (#8) Stainless Steel	18	16	26996	LOCKWASHER (#10) Stainless Steel	4	6
26996	LOCKWASHER (#10) Stainless Steel	4	12	26996	LOCKWASHER (#10) Stainless Steel	18	8
26996	LOCKWASHER (#10) Stainless Steel	20	8	26996	LOCKWASHER (#10) Stainless Steel	20	24
26996	LOCKWASHER (#10) Stainless Steel	26	5	28636	SCREW (.250-20 x .750)	18	21
29198	SCREW AND LOCKWASHER (.312-18 x .875)	4	19	29198	SCREW AND LOCKWASHER (.312-18 x .875)	40	14
29245	WASHER (.281 x .500 x .060) Stainless Steel	76	4	29250	NUT (.312-24)	4	26
29250	NUT (.312-24)	12	22	29250	NUT (.312-24)	36	19
29250	NUT (.312-24)	74	7	29488	NUT (#10-32)	76	10
29598	NUT (.250-28) Stainless Steel	24	14	32132	SCREW (.375-16 x 1.750)	56	12
32132	SCREW (.375-16 x 1.750)	78	4	32219	NUT (.375-16)	4	34
32219	NUT (.375-16)	12	11	32219	NUT (.375-16)	12	24
32219	NUT (.375-16)	66	8	32219	NUT (.375-16)	78	6
32509	O-RING (.489 x .070)	24	12	32509	O-RING (.489 x .070)	34	8
32509	O-RING (.489 x .070)	36	27	32509	O-RING (.489 x .070)	48	6
32515	SCREW (.437-20 x 2.50)	56	18	32561	PLUG Pipe - Allen Head (.250-18)	28	3
32784	RETAINER Four Wire	20	20	328022	PLUG Pipe (.125-27) Brass	34	14
328022	PLUG Pipe (.125-27) Brass	40	16	32803	PLUG Pipe (.375-18) Brass	36	2
32803	PLUG Pipe (.375-18) Brass	40	11	32834	WASHER (.9375 x 1.750 x .172)	78	15
32857	COTTER PIN	62	6	32857	COTTER PIN	64	6
32877	PLUG Transom Plate Water Inlet Block Off	42	34	33290	RING Retaining	8	12
33291	COLLAR	8	11	33395	GASKET	34	3

PARTS INDEX

Part No.	Description	Pg.	Ref.no	Part No.	Description	Pg.	Ref.no
33465	O-RING	44	3	33734	LOCKWASHER (.500)	78	16
33821	CONNECTOR	28	5	342271	SEALING COMPOUND (16 Ounce) Where Applicable	48	-
34270	EXPANSION PLUG (1.625)	48	7	34352	SCREW (.375-24 x .875)	56	21
34353	SCREW (.375-16 x 1.00)	12	18	34353	SCREW (.375-16 x 1.00)	44	19
34353	SCREW (.375-16 x 1.00)	74	8	34466	KEY	52	15
344863	GASKET	20	13	34500	SCREW (.312-18 x .625)	48	21
34516	NUT	46	21	34521	STUD	46	23
34522	STUD	46	23	34714	WASHER	44	21
34714	WASHER	66	7	34897	GASKET	56	11
35048	LOCKWASHER (.375)	4	18	35048	LOCKWASHER (.375)	44	20
35048	LOCKWASHER (.375)	74	9	35048	LOCKWASHER (.375)	74	9
35048	LOCKWASHER (.375)	78	7	35312	PIN Dowel (1/4 In. Diameter)	48	18
35329	ARM KIT Rocker	46	19	35331	BALL Rocker Arm	46	20
35332	WASHER	56	20	35339	SCREW (.312-18 x .750)	48	16
35342	STUD (.312-24/.375-16 x 2.5625)	56	12	35366	SCREW	60	21
35462	WASHER (.2656 x .625 x .0625) Stainless Steel	18	19	35462	WASHER (.2656 x .625 x .0625) Stainless Steel	34	22
35462	WASHER (.2656 x .625 x .0625) Stainless Steel	62	9	35462	WASHER (.2656 x .625 x .0625) Stainless Steel	64	9
35465	PIN Dowel (.312) Dowel (.3125 Inch)	48	8	35777	WASHER (.5156 x 1.375 x .125) Aluminum	78	13
358701	SCREW (.375-16 x 2.00)	74	11	36183	RETAINER	60	5
36184	SHAFT	60	4	36533	WASHER (.328 x .562 x .0312) Copper	24	20
37293T	SENDER ASSEMBLY Dual Station	26	3	37493	NUT (.375-24)	54	5
37612	SCREW (.375-16 x 1.250)	74	8	37612	SCREW (.375-16 x 1.250)	78	4
39107	LOCKWASHER (.312-24)	4	5	39107	LOCKWASHER (.312-24)	44	16
39131	LOCKWASHER (.437)	56	19	40001134	SCREW (M8 x 25)	12	3
40001188	SCREW (M10 x 20)	12	20	40001188	SCREW (M10 x 20)	66	6
400211	NUT (M5) Stainless Steel	4	4	400212	NUT (M6) Stainless Steel	12	2
41408	SCREW (#10-32 x 1.50)	20	23	41471	LOCKWASHER (.375)	72	10
41471	LOCKWASHER (.375)	72	13	41622	PLUG (.750-14) Pipe	34	13
41877	STUD (M10)	66	2	42077	SEAL	68	2
42077	SEAL	68	11	42600A3	CONTROLLER ASSEMBLY	76	5
4285069	HOSE (44.00 Inches Bulk)	40	18	43504	PIN Dowel (.250 Inch)	52	2
43749	SCREW (.375-16 x 5.750)	34	11	43749	SCREW (.375-16 x 5.750)	34	11
44348T	TUBE	72	1	44574	CAP	76	8
45592	NUT (.312-24)	28	12	45592	NUT (.312-24)	30	21
455991	SPRING	62	4	46132	WASHER	34	15
46335	NUT (.375-24)	34	16	47277	SCREW (.312-24 x .750)	56	14
47617	PIN	20	10	47688	SCREW (.375-16 x 2.750)	56	12
47715	CLIP	36	18	48340	PLUG (.250-18 x .41)	48	2
483471	SPRING	46	16	483481	CAP	46	17
48358	PLUG (.375)	56	6	49099	FITTING	52	10
49734	SENDER Dual Station	26	4	49845	SCREW (.437-20 x 1.00)	52	13
49955	GASKET Drain	60	11	52020	SLEEVE Hose	40	10
52185	CLAMP	20	14	52188	GROMMET	46	5
5251914	HOSE (53.00 Inches Bulk) Pump To Oil Cooler	66	15	530451	GASKET	36	4
530451	GASKET	40	17	53167	SCREW (.312-18 x .880)	64	5
53338	VALVE ASSEMBLY Filter	56	23	53338	VALVE ASSEMBLY Filter	68	14
53728	SCREW (.375-16 x 4.75)	34	4	54676	RETAINER Two Wire	20	19
54786	SCREW (.312-18 x 1.250)	58	24	54786	SCREW (.312-18 x 1.250)	68	15
547971	KEY	46	18	56393	SCREW (.437-20 x 1.75)	12	29
56720	WASHER (.330 x .750 x .060) Stainless Steel	62	8	56720	WASHER (.330 x .750 x .060) Stainless Steel	64	8
56743	SCREW (.375-24 x 3.125)	4	22	57583	SCREW (#8-32 x .375)	18	9
57792	WASHER	12	5	58640	SCREW (.375-16 x 1.25)	40	15
58640	SCREW (.375-16 x 1.25)	72	9	59362T1	IMPELLER	44	6
59501A1	SHAFT	44	12	62568	SCREW (#10-16 x .375)	76	9
62826A6	CABLE ASSEMBLY Ground (13.00 Inches) Black	78	11	63341	TEE NUT	62	12
63341	TEE NUT	64	12	63709A1	BOOT/TERMINAL KIT	20	17
64015	NUT (.250-20)	18	20	64015	NUT (.250-20)	34	23
64066	STUD (.375-16 x 2.750) Special	78	5	657461	SCREW AND LOCKWASHER (.250-20 x .625)	62	22
657461	SCREW AND LOCKWASHER (.250-20 x .625)	64	17	65970T1	BRACKET	20	22
66284A2	BASE ASSEMBLY	70	5	66686	SCREW (#10-32 x 1.00)	20	7

PARTS INDEX

Part No.	Description	Pg.	Ref.no	Part No.	Description	Pg.	Ref.no
68101	SCREW (.375-16 x 1.375)	70	2	68102	LOCKWASHER (.750)	70	8
68219	NUT (#10-32) Stainless Steel	20	25	68219	NUT (#10-32) Stainless Steel	26	6
68219	NUT (#10-32) Stainless Steel	76	6	68402	PIN (.250 x 1.13)	64	15
68513	SCREW (#10-32 x .375) Stainless Steel	18	7	69067	SCREW (.250-20 x 1.375)	76	2
71587A10	RECOVERY KIT Coolant	40	5	71587A11	BOTTLE Plastic	40	6
72058	CAP	40	7	72640	PLUG Rear Camshaft	48	9
72785	SEAL	44	14	72821	RETAINER	20	29
72961	BEARING Ball	44	11	73668	J-CLIP	56	7
74036	FITTING Grease	52	5	74191	SCREW (.312-18 x 3.250)	44	4
75611	GASKET	46	24	75611A98	GASKET SET Engine Overhaul	68	-
76596	SCREW (.250-20 x 1.250)	34	20	76596	SCREW (.250-20 x 1.250)	78	10
774572	HOSE (48.00 Inches Bulk)	40	-	79023A91	FUSE ASSEMBLY 90 Ampere	4	8
79091	FUSE 20 Ampere	26	10	79550A1	BRACKET	70	1
79552	WASHER (.453 x .750 x .062) Stainless Steel	30	23	79695	BOOT Insulator - Black	4	7
79989	NUT (#10-24) Stainless Steel	4	13	801861T1	RING SET Piston	54	2
802555	VALVE Standard	46	14	802556	CYLINDER HEAD ASSEMBLY	46	22
802557T	PISTON ASSEMBLY Standard	54	1	802558T	PISTON ASSEMBLY .030 Oversize	54	1
802559	RING SET	54	2	802560	RING SET	54	2
802885Q	FILTER Oil	58	25	802885Q	FILTER Oil	68	7
802893Q	FILTER Fuel/Water Separating - Quicksilver Brand	28	4	803001T	HOUSING Drive	8	14
803003	DRIVE	8	10	803004	THRU BOLT Add Size	8	6
803005	THRU BOLT Add Size	8	6	803644	GASKET	40	NS
803860T	CYLINDER HEAD ASSEMBLY Cylinder	46	22	804351	CLIP	18	22
804352	CLIP	18	23	804507	SEAL Exhaust	46	15
804641	FUSE Micro - Red - 10 Ampere	18	25	804642	FUSE Micro - 15 Ampere	18	25
805059	FITTING	26	2	805062	O-RING (.530 x .082)	24	7
805063	O-RING (.301 x .070)	24	5	805063	O-RING (.301 x .070)	24	27
805185A36	DISTRIBUTOR ASSEMBLY	20	1	805218T	SENSOR ECT	26	14
805223T	SENSOR IAT/MAT	26	16	805224A1	MOTOR ASSEMBLY IAC	32	7
805226A1	SENSOR ASSEMBLY TPS	32	10	8053281	FITTING Elbow (90 Degree - .125)	26	1
8053432	SCREW (.375-16 x 4.33)	4	2	805357	STUD (.375-16 x 2.130)	70	3
805364A1	DECAL SET Color Coding Color Code	2	-	805367T	BRACKET	74	6
805368T	BRACKET Electrical	18	5	805390	SCREW (.312-18 x 2.250)	30	7
805400	SCREW (#8-32 x .500) Stainless Steel	32	8	805400	SCREW (#8-32 x .500) Stainless Steel	32	11
805406	FILTER	24	16	805412	SEAL	30	13
805459	STUD Mercathode Mounting	18	12	805559	SCREW (.375-16 x .875) Stainless Steel	20	15
805563	CONNECTOR (.500 Inch NPTF To .500 Inch Inverted Flare) (.50 Inch NPTF To .50 Inch Inv. Flare)	56	5	805564	SCREW (.250-20 x .750)	18	11
805570A2	COIL KIT	20	21	805592A1	CONNECTOR ASSEMBLY	26	12
805605A1	SWITCH ASSEMBLY	26	7	805625	CLIP Dipstick Tube	60	20
805759T1	CAP Distributor	20	2	805760	GASKET	20	3
806121	FITTING	68	12	80617379	HOSE (52.00 Inches Bulk)	24	21
806193A30	RESERVOIR	74	1	80622142	HOSE ASSEMBLY (84.00 Inches Bulk) Return	66	13
80622216	HOSE	66	10	806232	O-RING (.239 x .064)	66	12
806328	FITTING	68	3	806329T	ADAPTER Oil Filter	68	1
806608A1	PLUG KIT (.500-13) Royal Blue	24	11	806608A1	PLUG KIT (.500-13) Royal Blue	34	7
806608A1	PLUG KIT (.500-13) Royal Blue	36	26	806608A1	PLUG KIT (.500-13) Royal Blue	48	5
806612T	SENSOR Knock	26	13	806637T1	FLAME ARRESTOR	30	5
806640	GASKET	30	9	806653A1	FITTING ASSEMBLY	32	1
806655	SEAL	32	2	806703	STUD	30	6
8067051	FITTING Dual	26	15	806706	SEAL	32	4
806826	SCREW (#8-32 x .250)	30	14	806871	GASKET	36	3
806899	PLUG	32	6	806915	SHAFT	30	22
806916T	PLATE	30	24	806922	SLEEVE	36	6
806926A1	ELBOW KIT Drain	34	6	806946	BOLT	30	17
806949	NUT (M8-1.5)	4	3	806950	BREAKER Circuit - 50 Ampere	18	6
806981	SPACER	34	21	807057T	RELAY	18	24
807075A1	COVER	40	13	807097T	CONNECTOR	30	19
807130A4	PIPE	72	6	807134	SEAL	40	9
807151A14	BODY/IMPELLER KIT	44	2	807151A9	PUMP ASSEMBLY Sea Water	44	1

PARTS INDEX

Part No.	Description	Pg.	Ref.no	Part No.	Description	Pg.	Ref.no
807166A1	SHUTTER ASSEMBLY Water	72	7	807167	GROMMET	72	8
807252T2	THERMOSTAT 71DegreeC (160 Degree F)	36	5	807260A2	COVER KIT Flywheel	78	9
807356	SCREW (.312-18 x 2.680)	44	4	807399T	SENSOR Fuel Pressure	32	16
807453T	BRACKET Harness Mounting/Lifting Eye	18	3	807459T	BRACKET	68	4
807473A1	GASKET SET	56	9	807653T	ALTERNATOR ASSEMBLY	4	10
807653T	ALTERNATOR ASSEMBLY	10	-	807661	HOSE	36	10
807685T	INSULATOR	24	2	807688T	TUBE Oil Fill	46	11
807697	HOSE Thermostat Housing To Starboard Manifold	36	16	807729T	PULLEY	56	13
807730T	PULLEY	56	16	8077491	BRACKET	44	18
807750T	BRACE	4	16	807751T	BRACE	66	5
807753T1	BRACKET	4	33	8077555	BELT Serpentine	56	17
807757T	PULLEY ASSEMBLY Idler - Black	4	29	807757T	PULLEY ASSEMBLY Idler - Black	12	17
807767T	BRACKET Idler Adjustment	4	24	807783A1	FITTING ASSEMBLY 90 Degree	24	4
807806T	INSULATOR Cap	28	9	807807T	INSULATOR Base	28	10
807918T	BRACKET Fuel Filter Base	28	11	807930	INSULATOR	24	25
807951T	BRACKET Fuel Cooler	24	1	807952A1	REGULATOR KIT Fuel Pressure	24	15
807953	LINE ASSEMBLY Fuel	28	13	807954T	HOSE ASSEMBLY Fuel Regulator to Filter	28	14
807956T	INSULATOR Back	28	8	807958	FITTING (1/4-18)	28	7
807962A3	BRACKET ASSEMBLY	62	1	807962A3	BRACKET ASSEMBLY	64	1
807971	CONNECTOR Hose	24	22	807979T	BRACKET	24	13
8079821	GASKET	30	10	807988A2	ELBOW ASSEMBLY Exhaust	34	9
8079921	COVER Hose Clamp End	66	NS	8079923	COVER Hose Clamp End	36	NS
8079923	COVER Hose Clamp End	42	NS	8079923	COVER Hose Clamp End	72	NS
808001A1	FITTING ASSEMBLY	24	6	808002A1	FITTING KIT	24	19
808003	CONNECTOR	28	6	808005	SCREW (.250-20 x .500)	24	23
808009A1	SWITCH ASSEMBLY	62	17	808010	SCREW (.312-18 x 1.375)	56	2
808023T	STRAP Bracket	74	5	808033	HOSE Molded	36	8
808042	FITTING Elbow (90 Degrees) (.50 NPT x .75 Bars)	40	31	8080441	HOSE Molded	36	23
8080441	HOSE Molded	40	33	80804762	HOSE (.2187 x .440)	24	29
808547	O-RING	32	9	808624	CONNECTOR	74	3
808625	CAP Drive Lube Monitor Oil Bottle	74	2	809133T	STATOR	10	12
809135	SPACER	10	4	809136	NUT	10	1
809137	LOCKWASHER	10	2	809138	BOLT	10	23
809139	FAN ASSEMBLY	10	5	809140	SPACER	10	6
809141	SCREW	10	27	809142	TERMINAL	10	28
809143	NUT	10	17	809144	COVER	10	30
809145	SET SCREW	10	31	809146	MOLD	10	16
809147	LEAD WIRE Red	10	33	809148	LEAD WIRE Black	10	32
809149	CAP	10	29	809150	ROTOR	10	11
809151	BRACKET ASSEMBLY	10	7	809152	RETAINER	10	10
809153	BEARING	10	9	809154	SCREW	10	8
809155	BRACKET ASSEMBLY	10	13	809156	O-RING	10	21
809157	NUT	10	20	809158	MOLD	10	19
809159	BOLT	10	22	809160	SET SCREW	10	15
809161	CONDENSER	10	18	809162	RECTIFIER	10	14
809165	SPRING	10	26	809463A1	SOLENOID KIT	8	17
80950099	5.0L / 5.7L EFI ALPHA/BRAVO (GEN +) ENGINE	2	-	809825	RTV SILICONE (3 Ounce Tube) Metallic Blue Where Applicable	48	-
8099071	PUMP ASSEMBLY	60	1	809909	SCREEN Oil Pump Pick Up	60	3
809910	PAN Oil	60	9	809911	SCREW Oil Drain (M12 x 1.75)	60	12
809992	VALVE	46	14	809995	COVER Rocker	46	1
809996	COVER Rocker	46	1	811658	CAMSHAFT	48	12
8116591	SPROCKET Camshaft	48	14	811662	RETAINER Lifter Guide	48	20
811664	WASHER (.3125 Inch) (.3125 Inch)	48	22	811883T	REGULATOR ASSEMBLY	10	24
811884	BRUSH	10	25	813995A1	GUIDE ASSEMBLY Spring	62	21
814001	PIN Clevis	62	15	8140021	STUD (.250 x 2.870)	62	2
814476	BUSHING	8	15	814806	WASHER (.344 x .688 x .065) Stainless Steel	44	5
814875	COVER Heat Exchanger End	40	NS	814877	BOLT	40	NS
814878	O-RING Special	40	NS	8148791	CAP	40	NS
815425T	SENDER ASSEMBLY	26	3	815504105	CLAMP Worm Gear (11-18 mm)	46	10
815504105	CLAMP Worm Gear (11-18 mm)	66	16	815504212	CLAMP Worm Gear	36	11

PARTS INDEX

Part No.	Description	Pg.	Ref.no	Part No.	Description	Pg.	Ref.no
815504212	CLAMP Worm Gear	40	29	815504220	CLAMP Worm Gear	36	17
815504220	CLAMP Worm Gear	40	21	815504222	CLAMP Worm Gear (1.98 Diameter)	36	12
815504222	CLAMP Worm Gear (1.98 Diameter)	36	25	815504222	CLAMP Worm Gear (1.98 Diameter)	40	25
815504232	CLAMP Worm Gear (2.50 Diameter)	36	14	815504232	CLAMP Worm Gear (2.50 Diameter)	40	27
815504272	CLAMP Worm Gear	72	2	815504272	CLAMP Worm Gear	72	4
815504388	CLAMP Worm Gear	40	4	816133	FITTING	28	2
816311T	TIE STRAP (8.00 Inches)	24	30	816336	SPARK PLUG	20	18
816398	CLIP	70	4	816492A6	ALARM KIT	26	8
8164T	CONNECTING ROD ASSEMBLY	54	3	816565	PLUG Cup (.468)	48	3
816585	SCREW (.312-18 x .875)	36	22	816601	SCREW (.437-20 x 1.500)	4	35
816608A83	CABLE KIT Ignition Spark Plugs And Coil	20	16	816730	NUT (.250-20)	58	32
818380T	BUSHING	4	28	818380T	BUSHING	4	31
818380T	BUSHING	12	14	818380T	BUSHING	12	28
8183812	PINION STUD (.437-20) Stainless Steel	4	27	8183812	PINION STUD (.437-20) Stainless Steel	12	16
818382	PULLEY	4	32	818382	PULLEY	12	27
818400A1	ADAPTER	68	10	818465	BEARING SET 5 Pair	52	1
818466	BEARING SET 5 Pair	52	1	818467	BEARING SET 5 Pair	52	1
818468	BEARING SET 5 Pair	52	1	818598T	BRACKET	34	19
818807	GEAR	20	9	821579	SCREW (#10-24 x .500)	30	14
8243171	VALVE	46	13	8243181	VALVE	46	13
826709109	NUT (.250-28) Stainless Steel	30	4	828213	SCREW (.312-18 x 1.500) Hex Flange	12	4
834990T	PULLEY	10	3	835000	RING SET Piston	54	2
835001T	PISTON ASSEMBLY	54	1	835002T	PISTON ASSEMBLY	54	1
835005	COVER ASSEMBLY Timing	56	22	843504	SCREW (.380-16 x 1.500) Stainless Steel	34	11
845941	RETAINER	48	23	848136	WASHER (.328 x .680 x .190)	48	17
850090	STUD (.437-14/.375-16 x 3.360)	60	7	850091	NUT (.375-16)	60	8
8503991	PUMP ASSEMBLY Water	56	10	852368	SCREW (#10-24 x .750)	24	17
852940	HOUSING ASSEMBLY With Studs	58	26	852941	SEAL Oil (Rear)	58	28
852946	BALANCER Harmonic	56	15	852955	REGULATOR KIT Fuel Pressure	32	12
852956A1	INJECTOR KIT	32	13	852957	GASKET KIT Overhaul	32	14
852958	SCREW KIT	32	15	85674	BEARING SET	48	10
85701	BEARING	54	6	85702	BEARING	54	6
85703	BEARING	54	6	85704	BEARING	54	6
85705	BEARING	54	6	85802	SCREW (.375-24 x Special)	54	4
859135	NUT (.437-20) Brass/Nickel Plated	4	30	859135	NUT (.437-20) Brass/Nickel Plated	4	36
859135	NUT (.437-20) Brass/Nickel Plated	12	15	859135	NUT (.437-20) Brass/Nickel Plated	12	30
860065A1	BRACKET KIT Reservoir Mounting	12	9	860065A1	BRACKET KIT	74	4
860069	NUT (.375-16)	24	28	860069	NUT (.375-16)	28	15
860075	PLUG Pipe (.500-14)	56	3	860077	SCREW (#6-32 x 1.00)	62	18
860088	BUSHING	48	4	8600891	HOSE Molded	36	9
8600891	HOSE Molded	40	32	860100A2	MANIFOLD ASSEMBLY Intake	56	1
860102	STUD (.375-16 x 1.730)	4	21	860102	STUD (.375-16 x 1.730)	12	26
860143A2	TUBE Dipstick	60	18	860144	HOSE Thermostat Housing To Port Exhaust Manifold	36	15
860168985	OWNERS MANUAL	2	-	860171985	OWNERS MANUAL	2	-
860207A1	HOSE ASSEMBLY Oil	68	8	860208	HOSE ASSEMBLY Oil	68	9
860234A1	HEAT EXCHANGER	40	1	860246A10	MANIFOLD ASSEMBLY Exhaust	34	1
860246A9	MANIFOLD ASSEMBLY	34	1	860256A3	HOUSING ASSEMBLY Thermostat	36	1
860256A4	HOUSING ASSEMBLY Thermostat	36	1	860320A1	THROTTLE BODY ASSEMBLY	32	5
860326A1	BRACKET ASSEMBLY Heat Exchanger	40	2	860332	HOSE	40	24
860346	FITTING Elbow (90 Degree) (.750)	40	30	860370T	BRACKET Alternator/Power Steering	4	20
860419	HOSE Thermostat Housing To Heat Exchanger	40	23	860421	HOSE Heat Exchanger To Exhaust Manifold	40	20
860482	HOSE Water Pump To Intake Manifold	40	28	860485	HOSE Thermostat By-Pass	40	22
861049	BELT Serpentine	56	17	861049A1	BELT Serpentine	56	17
861057	HOSE Heat Exchanger To Exhaust Manifold	40	19	861059	HOSE	40	26
861156A1	PUMP ASSEMBLY	24	3	861157T1	HARNES ASSEMBLY EFI	16	-
861187	PLUG (.750-14) Pipe	34	2	861187	PLUG (.750-14) Pipe	34	10
861188A1	HOUSING ASSEMBLY Thermostat	40	8	861189A1	ADAPTER ASSEMBLY TBI	30	8
861198	CLIP	30	15	861213	TUBE	56	4
861246A98	GASKET SET	20	-	861246A98	GASKET SET	24	-
861246A98	GASKET SET	30	-	861246A98	GASKET SET	32	-

PARTS INDEX

Part No.	Description	Pg.	Ref.no	Part No.	Description	Pg.	Ref.no
861246A98	GASKET SET	34	-	861246A98	GASKET SET	36	-
861246A98	GASKET SET	42	-	861246A98	GASKET SET	46	-
861246A98	GASKET SET	48	-	861246A98	GASKET SET	58	-
861246A98	GASKET SET	60	-	861249A1	SENSOR ASSEMBLY Manifold Air Pressure	30	12
861267A1	COOLER KIT Fuel	24	8	861303	SCREW (.250-28) Special	24	9
861314A5	DECAL SET	30	2	861314A6	DECAL SET	30	2
861360	SPACER (1.1875)	74	13	861414	RING Retaining	24	10
861447A1	MARINE LONG BLOCK ENGINE	48	-	861476	VALVE PCV	46	8
861523A11	COUPLER ASSEMBLY Engine Steel Hub For Work Applications	52	9	861523A9	COUPLER ASSEMBLY Engine - Short Aluminum Hub	52	9
861554T	COOLER With Bracket Attached	36	21	861564A1	LINE ASSEMBLY Fuel Cooler To Fuel Rail	24	26
861578	PULLEY	66	4	861579	PULLEY	44	15
861590A2	HOSE ASSEMBLY Thermostat Housing To Water Pump With Drain	36	13	861714T	BRACKET ECU Mounting	18	18
861757	BELT Serpentine	56	17	861757A1	BELT Serpentine	56	17
861758	BELT Serpentine	56	17	861758A1	BELT Serpentine	56	17
861776A2	PLATE KIT	72	11	861780A2	SENSOR ASSEMBLY	20	6
861819T1	HARNES ASSEMBLY Engine	14	-	861846	SCREW (.312-18 x .750) Stainless Steel	30	11
861854	WASHER (.453 x .750 x .032) Stainless Steel	30	18	861880A1	ADAPTOR Fuel Fitting	32	3
861925T3	ECM Engine Control Module	18	26	861926T3	ECM Engine Control Module	18	26
861942T7	DIPSTICK	60	19	861942T9	DIPSTICK Oil Level	60	19
86197763	HOSE (33.00 Inches Bulk)	46	7	862031T	ALTERNATOR ASSEMBLY (65 Amp)	12	1
862055T	BRACKET Alternator Mounting	12	7	862056T	BRACKET	12	12
862082T	BRACE Power Steering Brace	12	19	862083T	BRACKET Idler Adjusting	12	13
862084T	BRACKET Idler	12	23	862085T	BRACE Idler	12	25
8620861	BELT Serpentine	12	NS	862087A1	BELT Serpentine	12	NS
862088A1	BELT Serpentine	12	NS	862089A1	BELT Serpentine	12	NS
862164T1	HARNES ASSEMBLY Wiring	12	NS	862179T1	HARNES ASSEMBLY Engine	14	-
862704A4	TUBE Dipstick	60	18	862778A1	BRACKET Alternator Brace	12	21
863007A1	STARTER MOTOR ASSEMBLY	4	1	863007A1	STARTER MOTOR ASSEMBLY	8	1
863332	NUT (.500-20) Aluminum	78	17	863661A1	LONGBLOCK ASSEMBLY	48	-
863726	GASKET	34	5	86400	WASHER	30	3
86750	SCREW (.312-18 x .620)	56	8	881715	GASKET	58	27
88543A3	CABLE ASSEMBLY	76	7	89302	WASHER (.203 x .406 x .040)	24	18
89876A3	BASE ASSEMBLY Fuel Filter/Water Seperator	28	1	89879	O-RING (.301 x .064)	66	11
89879	O-RING (.301 x .064)	66	14	8M2016106	SCREW (.312 x 1.25)	36	22
90096A1	STUD ASSEMBLY (#10-32 x Special)	20	28	90517	NUT (M10)	66	9
905201	SPACER (.750 x .250)	74	10	90562	SEAL (1.254 x .312)	44	10
90915	BUSHING	20	11	90926	SCREW (#10-32 x .810)	20	4
90931	THRUST WASHER	20	12	91034	SPACER (.380 x 1.00 x .530)	74	10
91892	GASKET	68	13	93320A5	RISER KIT Exhaust (3 Inches)	34	12
93322A7	RISER KIT Exhaust (6 Inches)	34	12	94288	QUAD RING	44	7
94330	NUT (.250-20) Brass	4	15	94330	NUT (.250-20) Brass	18	14
94576	WEAR PLATE Inner	44	8	94913A5	HOUSING ASSEMBLY Pump	44	9
95084A10	CABLE ASSEMBLY (5.00 Inches) Red	26	11	95084A9	CABLE ASSEMBLY (91.00 Inches) Red/Purple Strip	26	9
9520	FLYWHEEL	52	3	95211	CRANKSHAFT	52	14
95805	CAP	66	3	96112	STUD (.250-28 x 2.00) Throttle Cable Anchor	62	11
96112	STUD (.250-28 x 2.00) Throttle Cable Anchor	64	11	96158T	SOLENOID	18	10
96457	WASHER Phenolic (.27 x .81 x .062)	4	11	97257A1	SENDER ASSEMBLY Water Temperature	26	4
97477A3	STUD KIT	30	16	976641	SEAL Intake	46	15
97850	ELBOW 90 Degree	46	6	97861	INSULATOR	18	15
97934	SCREW (.500-20 x 5.370) Special	78	12	98257	SCREW (.312-18 x .500)	68	5
98261	SCREW (.375-16 x .750)	4	17	98261	SCREW (.375-16 x .750)	4	25
98261	SCREW (.375-16 x .750)	12	8	98261	SCREW (.375-16 x .750)	12	10
98261	SCREW (.375-16 x .750)	18	4	98261	SCREW (.375-16 x .750)	20	26
98261	SCREW (.375-16 x .750)	68	6	98508	SCREW (.375-16 x 3.00)	36	7
986021	DEFLECTOR Oil	60	6	98794	SCREW (.375-16 x 1.00)	72	12
987981	STUD (.250-20/.250-28 x 2.120)	64	2	98828	SPACER	64	4
98869A11	ELECTRODE ASSEMBLY	76	1	98880	SPRING	62	7
98880	SPRING	64	7	991551	THERMOSTAT	40	12
99297A1	MOUNT ASSEMBLY Rubber	78	2	99299	SPACER (.520 x .870 x .630)	78	14

PARTS INDEX

Part No.	Description	Pg.	Ref.no	Part No.	Description	Pg.	Ref.no
99322	SPACER	78	3	F1669	NUT (#6-32)	62	20
NSS	NOT SOLD SEPARATE Armature	8	2	NSS	NOT SOLD SEPARATE Brush Holder And Spring	8	3
NSS	NOT SOLD SEPARATE Frame	8	4	NSS	NOT SOLD SEPARATE Screw	8	5
NSS	NOT SOLD SEPARATE Shaft And Gear	8	7	NSS	NOT SOLD SEPARATE Gasket	8	8
NSS	NOT SOLD SEPARATE Gear	8	9	NSS	NOT SOLD SEPARATE Collar Thrust	8	13
NSS	NOT SOLD SEPARATE Grommet	8	16	NSS	NOT SOLD SEPARATE Lever	8	18
NSS	NOT SOLD SEPARATE Screw	8	19	NSS	NOT SOLD SEPARATE Cylinder Block Assembly	48	1
NSS	NOT SOLD SEPARATE Cylinder Block Assembly	48	1				