

Parts Manual

Cat.# 90-81659696

Revised 09-11-2020

TABLE OF CONTENTS

Cat.# 90-81659696

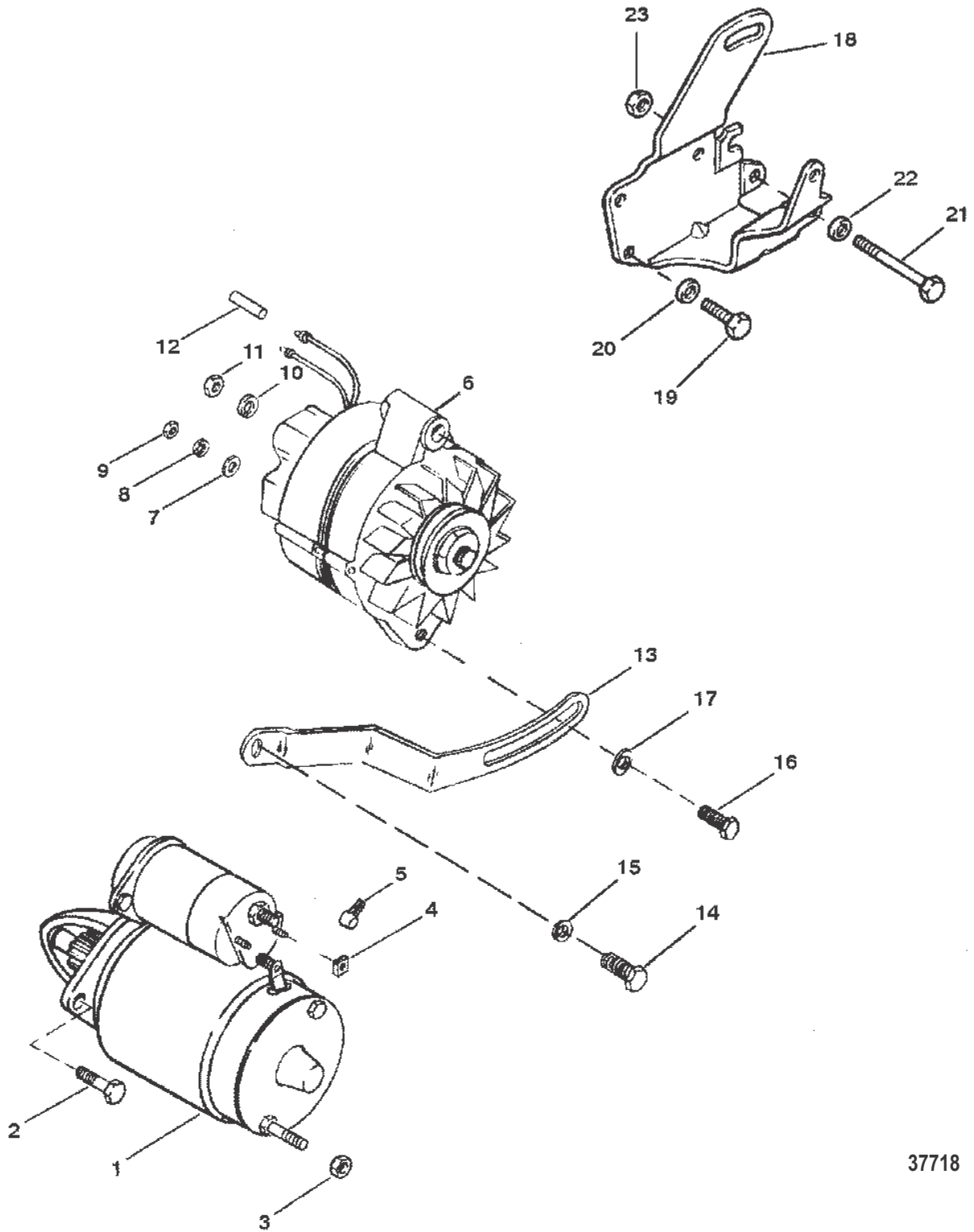
SERVICE AND SUPPORT MATERIAL.....	1
STARTER MOTOR AND ALTERNATOR.....	3
STARTER MOTOR.....	5
ALTERNATOR.....	7
WIRING HARNESS AND ELECTRICAL COMPONENTS.....	9
DISTRIBUTOR AND IGNITION COMPONENTS.....	13
FUEL PUMP AND FUEL FILTER.....	17
CARBURETOR/THROTTLE LINKAGE (4 BARREL).....	19
CARBURETOR (WEBER).....	21
CARBURETOR/THROTTLE LINKAGE (2 BARREL).....	23
CARBURETOR (MERCARB - 2 BARREL).....	25
EXH. MANIFOLD AND CAST IRON EXH. ELBOW (5.7L/5.7LX ALPHA).....	29
EXH. MANIFOLD AND S. STEEL EXH ELBOW (5.7L/5.7LX BRAVO`).....	31
STANDARD COOLING SYSTEM (5.7L/5.7LX ALPHA).....	33
STD. COOLING SYSTEM (5.7L/5.7LX BRAVO) (350 MAGNUM/ALPHA).....	35
CYLINDER HEAD AND ROCKER COVER.....	37
CYLINDER BLOCK AND CAMSHAFT (5.7L ALPHA/BRAVO).....	39
CYL. BLOCK AND CAMSHAFT (5.7LX ALPHA/BRAVO)(350 MAG/ALPHA).....	41
CRANKSHAFT AND FLYWHEEL.....	43
PISTONS AND CONNECTING RODS.....	45
INTAKE MANIFOLD AND FRONT COVER.....	47
OIL PAN AND OIL PUMP.....	51
SHIFT BRACKET (ALPHA ENGINES).....	53
SHIFT BRACKET (BRAVO ENGINES).....	55
POWER STEERING COMPONENTS.....	57
ENGINE MOUNTING.....	59
FLYWHEEL HOUSING.....	61
EXHAUST SYSTEM.....	63
OIL FILTER AND ADAPTOR.....	65
MERCATHODE COMPONENTS.....	67
SEA WATER PUMP ASSEMBLY (BRAVO ENGINES).....	69
SEA WATER PUMP ASS'Y (CLOSED COOLING SYS AND JACKSHAFT MDLS).....	71
DRIVESHAFT EXTENSION COMPONENTS (JACKSHAFT MODELS).....	73
DRIVESHAFT EXTENSION COMPONENTS (JACKSHAFT MODELS).....	75
DRIVESHAFT EXTENSION COMPONENTS (JACKSHAFT MODELS).....	77
AUDIO WARNING SYSTEM.....	79
BODENSEE PARTS.....	81
GASKET SET OVERHAUL.....	83

SERVICE AND SUPPORT MATERIAL

SERVICE AND SUPPORT MATERIAL

Ref #	Part Class	Part Number	Description	Comments	Qty	Note
-	0090	81659696	PARTS MANUAL 5.7L/LX 350 MAG Alpha/Bravo		1	
-	0090	821051961	OWNERS GUIDE	(ALPHA)	1	
-	0090	8232251	SERVICE MANUAL	(1993-1997)	1	
-	0090	806294960	OWNERS GUIDE	(BRAVO)	1	
-	0037	805364A1	DECAL SET Color Coding (COLOR CODE)		1	

STARTER MOTOR AND ALTERNATOR



37718

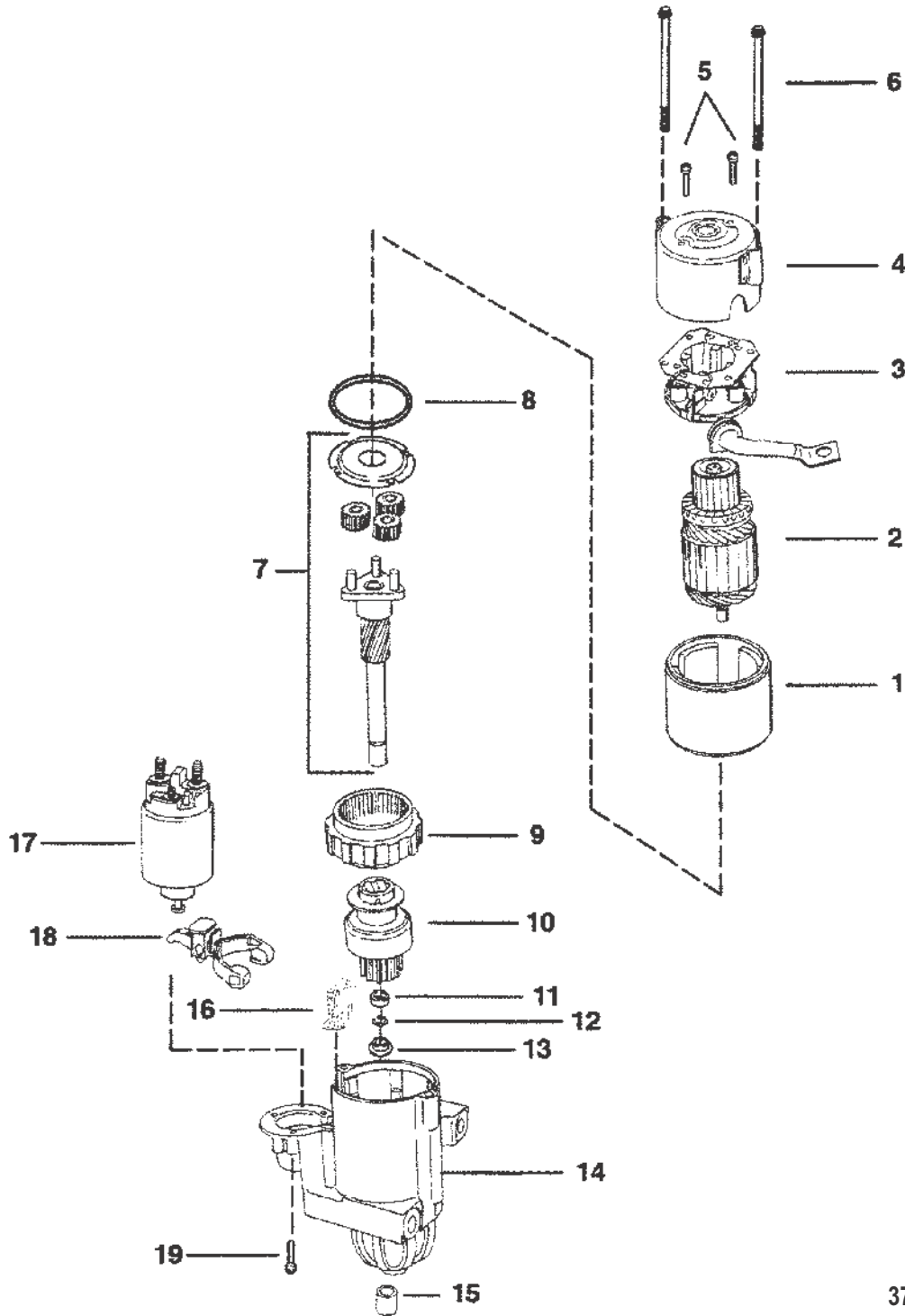
STARTER MOTOR AND ALTERNATOR

Ref #	Part Class	Part Number	Description	Comments	Qty	Note
1	0050	806964A3	STARTER MOTOR ASSEMBLY		1	[1]
2	0010	8053432	SCREW (.375-16 x 4.33)		2	
3	0011	806949	NUT (M8-1.5)		1	
4	0011	400211	NUT (M5) Stainless Steel		1	
5	0085	79695	BOOT Insulator - Black		1	
6	0000	817119A4	ALTERNATOR		1	[2]
7	0012	96457	WASHER Phenolic (.27 x .81 x .062)		1	
8	0013	26996	LOCKWASHER (#10) Stainless Steel		1	
9	0011	79989	NUT (#10-24) Stainless Steel		1	
10	0013	26992	LOCKWASHER (.250) Stainless Steel		1	
11	0011	94330	NUT (.250-20) Brass		1	
12	0000	5790811	SLEEVE (10.00 Inches Bulk)		2	
13	0000	85013T	BRACE		1	
14	0010	98261	SCREW (.375-16 x .750)	(ALPHA ENGINES)	1	
14	0010	26487	SCREW (.375-16 x 1.12)	(BRAVO ENGINES)	1	
15	0013	35048	LOCKWASHER (.375)	(BRAVO ENGINES)	1	
16	0010	29198	SCREW AND LOCKWASHER (.312-18 x .875)		1	
17	0012	26168	WASHER		1	
18	0000	15083T	BRACKET		1	
19	0010	37612	SCREW (.375-16 x 1.250)		2	
20	0012	20553	WASHER (.406 x .734 x .063)		2	
19	0010	34353	SCREW (.375-16 x 1.00)		1	
20	0012	20553	WASHER (.406 x .734 x .063)		1	
19	0010	48424	SCREW (.375-16 x 1.620)		1	
20	0012	46132	WASHER		1	
21	0010	56743	SCREW (.375-24 x 3.125)		1	
22	0012	34714	WASHER		1	
23	0011	23161	NUT (.375-24)		1	

PART NOTES:

- [1] - Alternate part numbers:
806964A 3QS
864340R02Reman
- [2] - Alternate part numbers:
817119A 4QS
817119R01Reman

STARTER MOTOR



37596

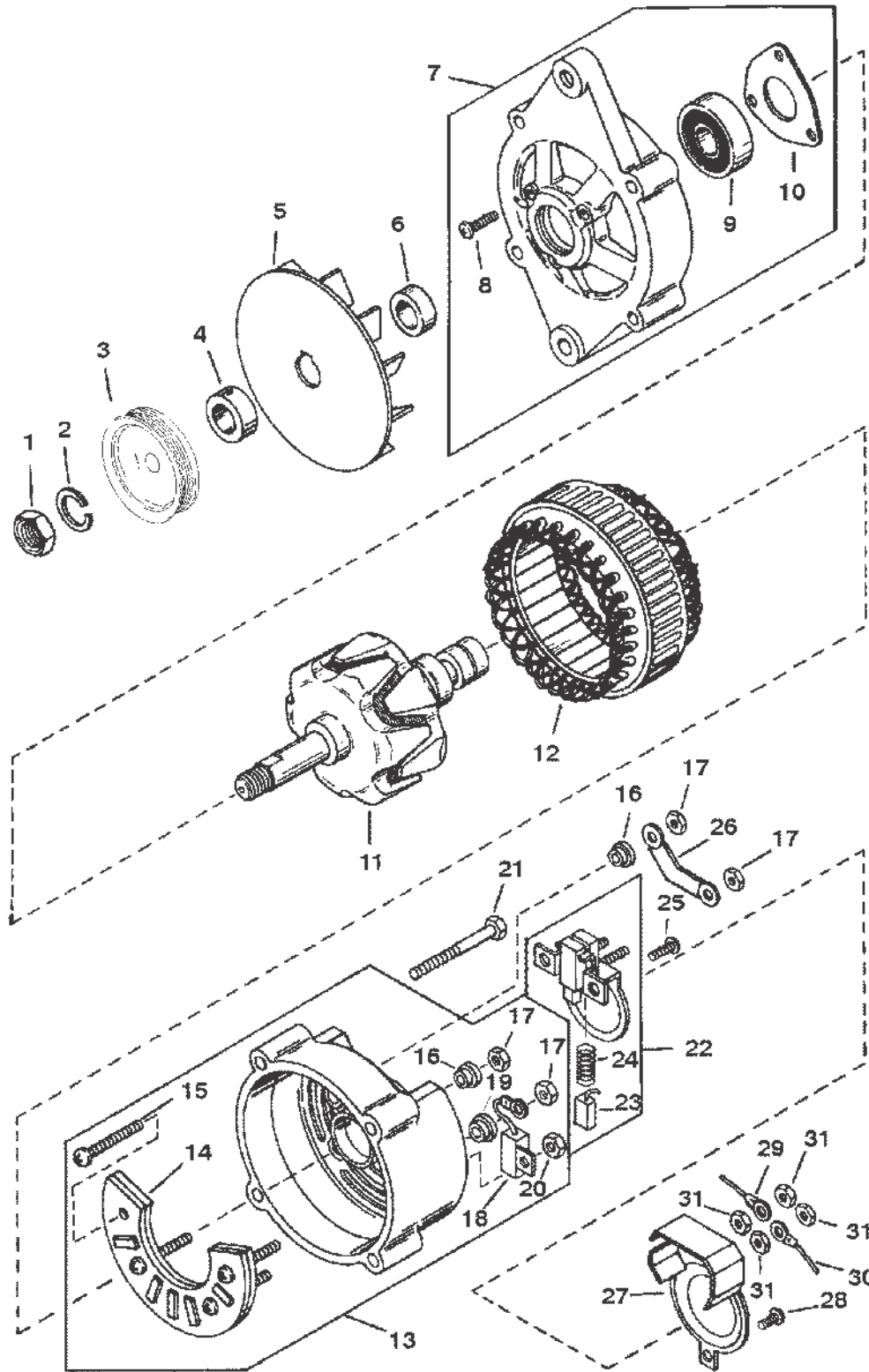
STARTER MOTOR

Ref #	Part Class	Part Number	Description	Comments	Qty	Note
1	0050	806964A3	STARTER MOTOR ASSEMBLY		1	[1]
2		NSS	NOT SOLD SEPARATE ARMATURE		1	[2]
3		NSS	NOT SOLD SEPARATE BRUSH HOLDER AND SPRING		1	[2]
4		NSS	NOT SOLD SEPARATE FRAME		1	[2]
5		NSS	NOT SOLD SEPARATE SCREW		2	[2]
6		NSS	NOT SOLD SEPARATE THRU BOLT		2	[2]
7		NSS	NOT SOLD SEPARATE SHAFT AND GEAR		1	[2]
8		NSS	NOT SOLD SEPARATE GASKET		1	[2]
9		NSS	NOT SOLD SEPARATE GEAR		1	[2]
10		NSS	NOT SOLD SEPARATE DRIVE		1	[2]
11	0000	33291	COLLAR		1	
12	0053	33290	RING Retaining		1	
13		NSS	NOT SOLD SEPARATE THRUST COLLAR		1	[2]
14	0000	809459	HOUSING		1	
15	0023	814476	BUSHING		1	
16		NSS	NOT SOLD SEPARATE GROMMET		1	[2]
17	0000	809463A1	SOLENOID KIT		1	
18		NSS	NOT SOLD SEPARATE LEVER		1	[2]
19		NSS	NOT SOLD SEPARATE SCREW		3	[2]

PART NOTES:

- [1] - Alternate part numbers:
806964A 3QS
864340R02Reman
- [2] - NOT SOLD SEPARATE

ALTERNATOR



37599

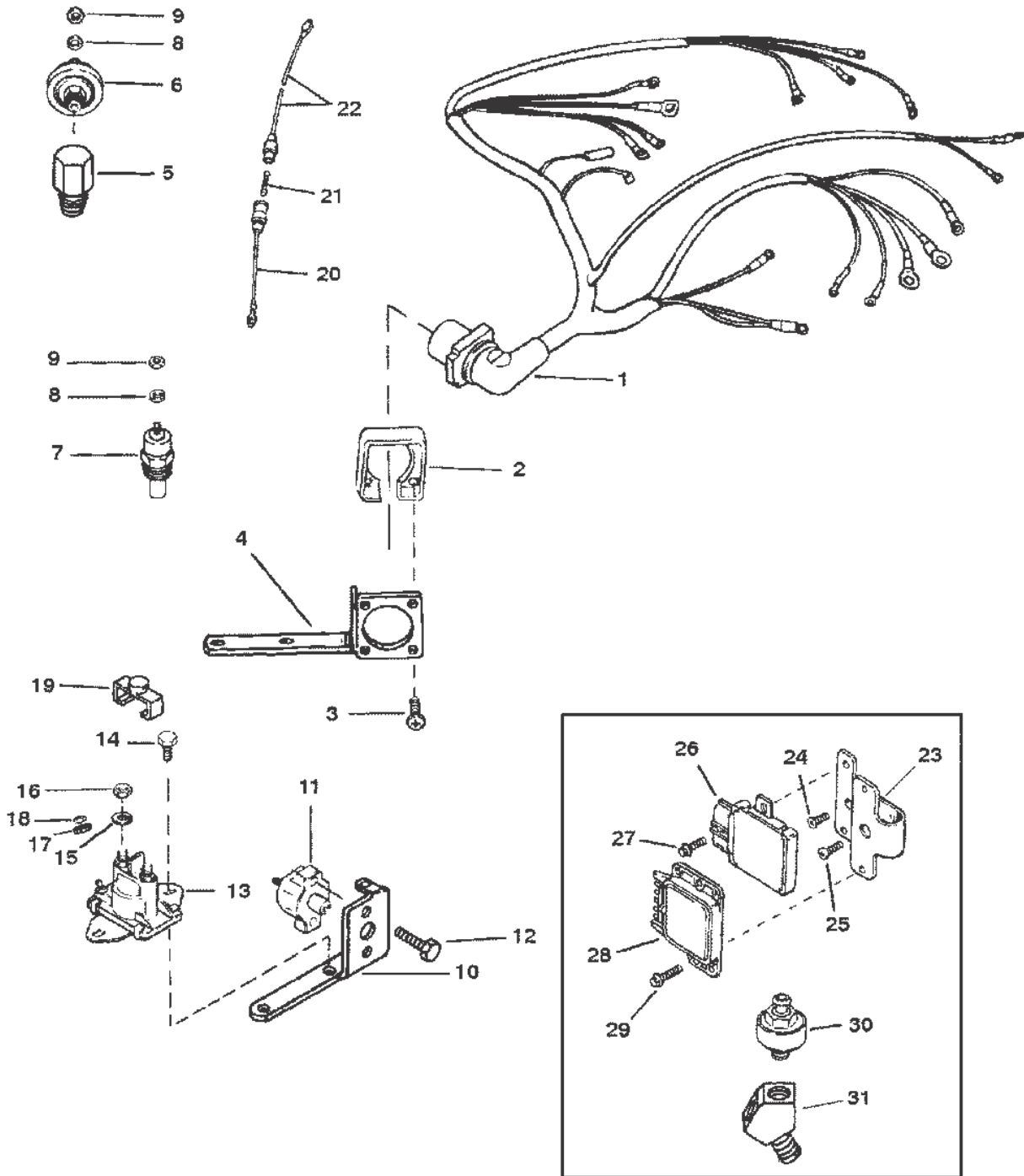
ALTERNATOR

Ref #	Part Class	Part Number	Description	Comments	Qty	Note
-	0000	817119A4	ALTERNATOR		1	[1]
1	0011	42768	NUT		1	
2	0013	42769	LOCKWASHER		1	
3	0000	42770	PULLEY		1	
4	0023	811865	SPACER		1	
5	0000	811866	FAN		1	
6	0023	811867	SPACER		1	
7	0000	811868	BRACKET ASSEMBLY Front		1	
8	0010	811869	SCREW		3	
9	0030	811870	BEARING Ball		1	
10	0000	811871	RETAINER		1	
11	0000	811872	ROTOR ASSEMBLY		1	
12	0000	811873	STATOR ASSEMBLY		1	
13	0000	811874	BRACKET ASSEMBLY Rear		1	
14	0000	811875	RECTIFIER ASSEMBLY		1	
15	0010	811876	SCREW		1	
16	0000	811877	HOLD		1	
17	0011	811878	NUT		2	
18	0000	811879	CONDENSER ASSEMBLY		1	
19	0000	811880	HOLD		1	
20	0011	811881	NUT		1	
21	0010	42773	THRU BOLT		4	
22	0000	811883	REGULATOR ASSEMBLY		1	
23	0000	811884	BRUSH		2	
24	0024	811885	SPRING		2	
25	0010	811886	SET SCREW		2	
26	0000	811887	TERMINAL		1	
27	0000	811888	COVER		1	
28	0010	811889	SET SCREW		1	
29	0084	811890	WIRE Red		1	
30	0084	811891	WIRE Purple		1	
31	0011	811878	NUT		4	

PART NOTES:

- [1] - Alternate part numbers:
817119A 4QS
817119R01Reman

WIRING HARNESS AND ELECTRICAL COMPONENTS



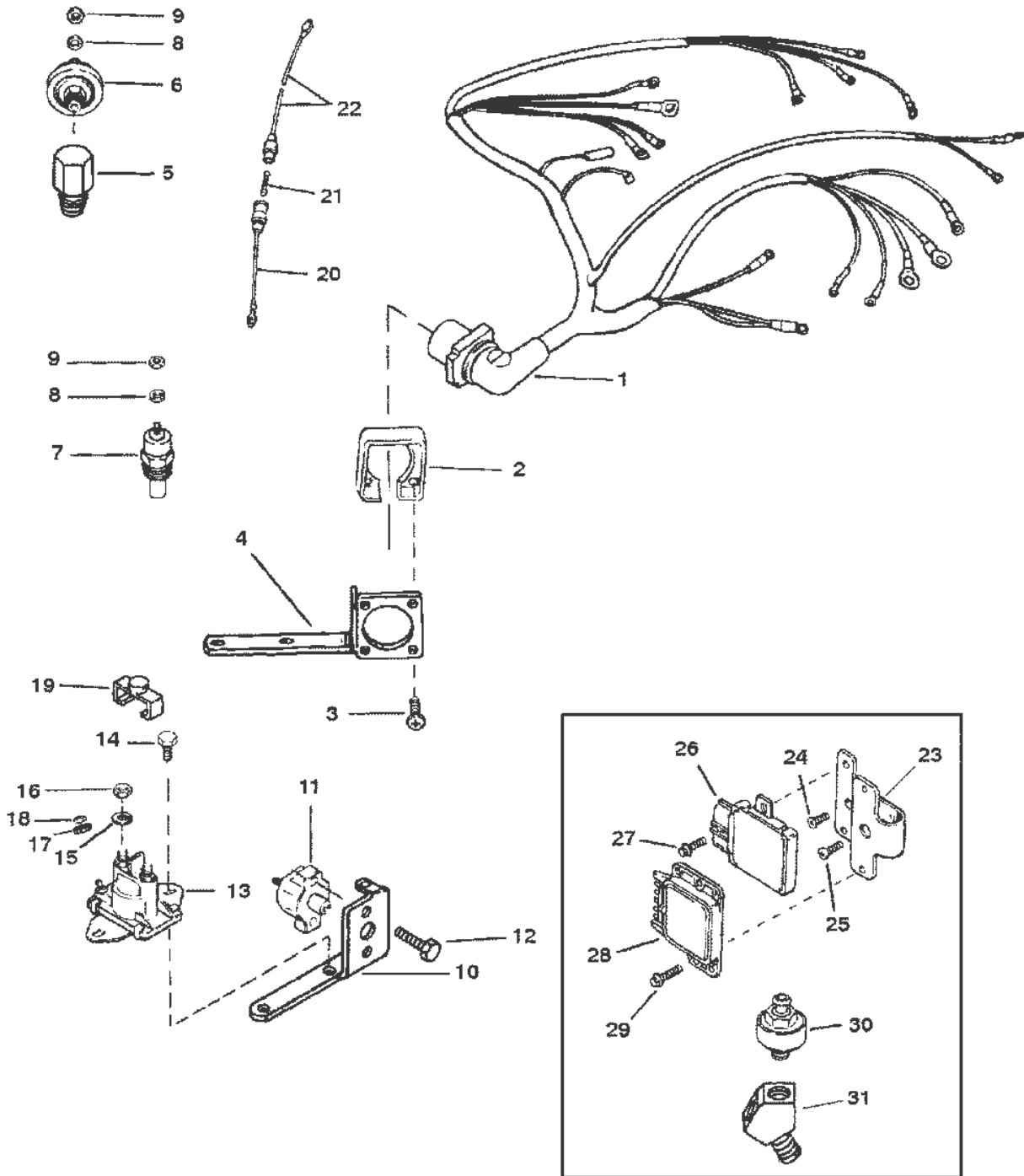
37719

WIRING HARNESS AND ELECTRICAL COMPONENTS

Ref #	Part Class	Part Number	Description	Comments	Qty	Note
1	0084	807229A2	HARNESS ASSEMBLY	(5.7L ALPHA/BRAVO)	1	
1	0084	806966A2	HARNESS ASSEMBLY	(5.7LX ALPHA/BRAVO AND 350 MAGNUM ALPHA)	1	
2	0000	26079A2	PLATE KIT Wire Harness Mount		1	
3	0010	15001	SCREW (#8-16 x .875)		4	
4	0000	805383T	BRACKET Harness Mounting		1	
5	0022	8053281	FITTING Elbow (90 Degree - .125)		1	
6	0000	815425	SENDER ASSEMBLY Oil Pressure		1	
6	0000	37293	SENDER ASSEMBLY Oil Pressure	(DUAL STATION)	OPT.	[1]
7	0000	97257A1	SENDER ASSEMBLY Water Temperature		1	
7	0000	49734A1	SENDER ASSEMBLY Water Temperature	(DUAL STATION)	OPT.	[1]
8	0013	26996	LOCKWASHER (#10) Stainless Steel		2	
9	0011	68219	NUT (#10-32) Stainless Steel		2	
10	0000	805368T	BRACKET Electrical		1	
11	0088	806950	BREAKER Circuit - 50 Ampere		1	
12	0010	57583	SCREW (#8-32 x .375)		2	
13	0089	96158	SOLENOID Starter		1	
14	0010	805564	SCREW (.250-20 x .750)		2	
15	0013	26992	LOCKWASHER (.250) Stainless Steel		2	
16	0011	94330	NUT (.250-20) Brass		2	
17	0013	26996	LOCKWASHER (#10) Stainless Steel		2	
18	0011	68219	NUT (#10-32) Stainless Steel		2	
19	0085	97861	INSULATOR		1	
20	0084	95084A9	CABLE ASSEMBLY (91.00 Inches) Red/Purple Strip	BRAVO ENGINES	1	
21	0088	79091	FUSE 20 Ampere	BRAVO ENGINES	1	
22	0084	95084A10	CABLE ASSEMBLY (5.00 Inches) Red	BRAVO ENGINES	1	
23	0000	806735T	BRACKET		1	
24	0010	806834	SCREW	(FLATHEAD)	1	
25	0010	806835	SCREW (10-32 x .50)		1	
26	0000	807264T3	ICM MODULE Ignition Control Module	(5.7L ALPHA)	1	
26	0000	807645T3	ICM MODULE Ignition Control Module	(5.7L BRAVO)	1	
26	0000	806957T4	ICM MODULE Ignition Control Module	(5.7LX ALPHA AND 350 MAGNUM ALPHA)	1	
26	0000	806956T4	ICM MODULE Ignition Control Module	(5.7LX BRAVO)	1	
27	0010	806826	SCREW (#8-32 x .250)		2	
28	0000	806611T	MODULE Knock Control	5.7LX ALPHA/BRAVO 7 350 MAGNUM ALPHA	1	
29	0010	806827	SCREW (#8-32 x .380)	5.7LX ALPHA/BRAVO 7 350 MAGNUM ALPHA	2	

WIRING HARNESS AND ELECTRICAL COMPONENTS

WIRING HARNESS AND ELECTRICAL COMPONENTS



37719

Cat.# 90-81659696

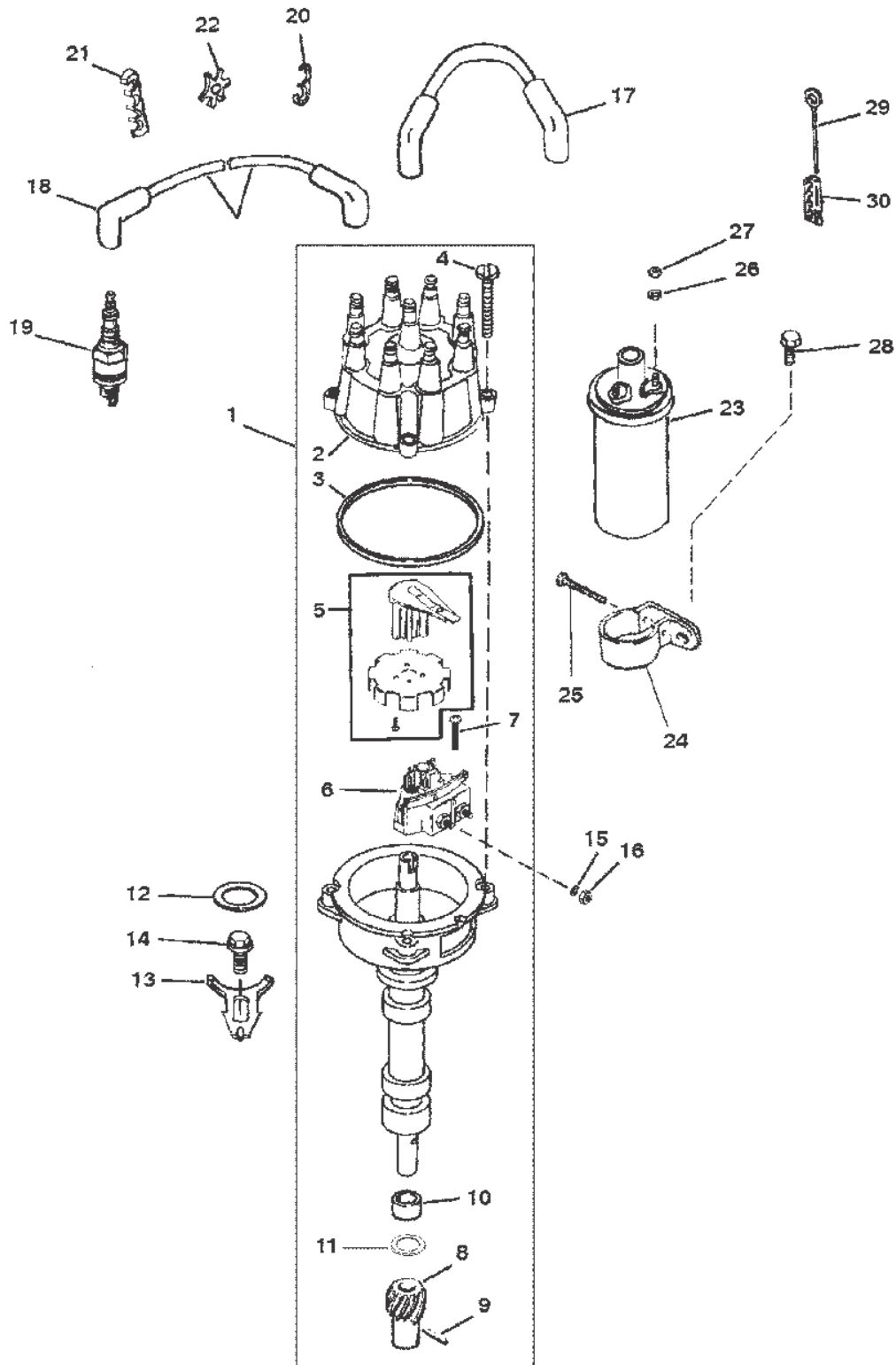
WIRING HARNESS AND ELECTRICAL COMPONENTS

Ref #	Part Class	Part Number	Description	Comments	Qty	Note
30	0000	806612T	SENSOR Knock	5.7LX ALPHA/BRAVO 7 350 MAGNUM ALPHA	1	
31	0022	806705	Y-FITTING	5.7LX ALPHA/BRAVO 7 350 MAGNUM ALPHA	1	

PART NOTES:

[1] - OPTIONAL

DISTRIBUTOR AND IGNITION COMPONENTS



37720

DISTRIBUTOR AND IGNITION COMPONENTS

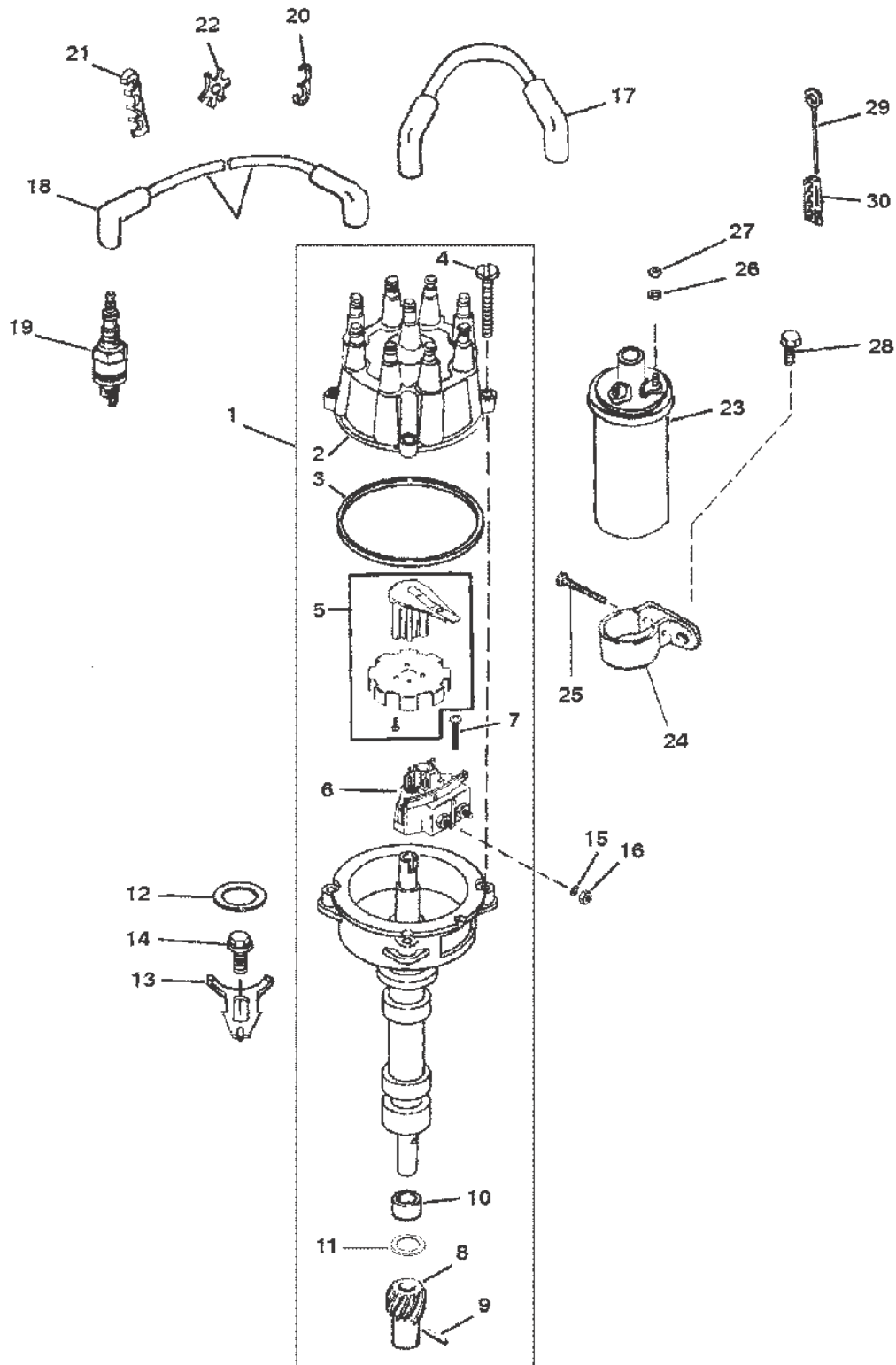
Ref #	Part Class	Part Number	Description	Comments	Qty	Note
1	0000	805185A26	DISTRIBUTOR ASSEMBLY		1	
2	0000	805759A2	CAP ASSEMBLY		1	[1]
3	0027	805760	GASKET		1	
4	0010	90926	SCREW (#10-32 x .810)		4	
5	0000	13524A1	WHEEL ASSEMBLY		1	[2]
6	0087	91019A6	SENSOR ASSEMBLY		1	
7	0010	66686	SCREW (#10-32 x 1.00)		1	
7	0010	72202	SCREW (#10-32 x 1.25)		1	
8	0043	818807	GEAR		1	
9	0017	47617	PIN		1	
10	0023	90915	BUSHING		2	
11	0012	90931	THRUST WASHER		1	
12	0027	344863	GASKET		1	[3]
13	0000	52185	CLAMP		1	
14	0010	806681	SCREW (.375-16 x .875)		1	
15	0013	26996	LOCKWASHER (#10) Stainless Steel		2	
16	0011	68219	NUT (#10-32) Stainless Steel		2	
17	0084	816761A17	SPARK PLUG WIRE KIT		1	[4]
18	0085	63709A1	BOOT/TERMINAL KIT		8	
19	0033	59571	SPARK PLUG		8	[5]
20	0000	54676	RETAINER Two Wire		2	
21	0000	32783	RETAINER Three Wire		2	
22	0000	32784	RETAINER Four Wire		2	
23	0392	805570A2	COIL KIT		1	
24	0000	65970T1	BRACKET		1	
25	0010	41408	SCREW (#10-32 x 1.50)		1	
26	0013	26996	LOCKWASHER (#10) Stainless Steel		2	
27	0011	68219	NUT (#10-32) Stainless Steel		2	
28	0010	98261	SCREW (.375-16 x .750)		1	
29	0016	90096A1	STUD ASSEMBLY (#10-32 x Special)		2	
30	0054	72821	RETAINER		2	
-	0027	806871A96	GASKET SET Overhaul		1	[6]

PART NOTES:

- [1] - Alternate part numbers:
805759A 2Service Part
805759Q 3QS Kit
805759T 3MPP Kit
- [2] - Alternate part numbers:
13524A 1Service Part
805759Q 3QS Kit
805759T 3MPP Kit

DISTRIBUTOR AND IGNITION COMPONENTS

DISTRIBUTOR AND IGNITION COMPONENTS

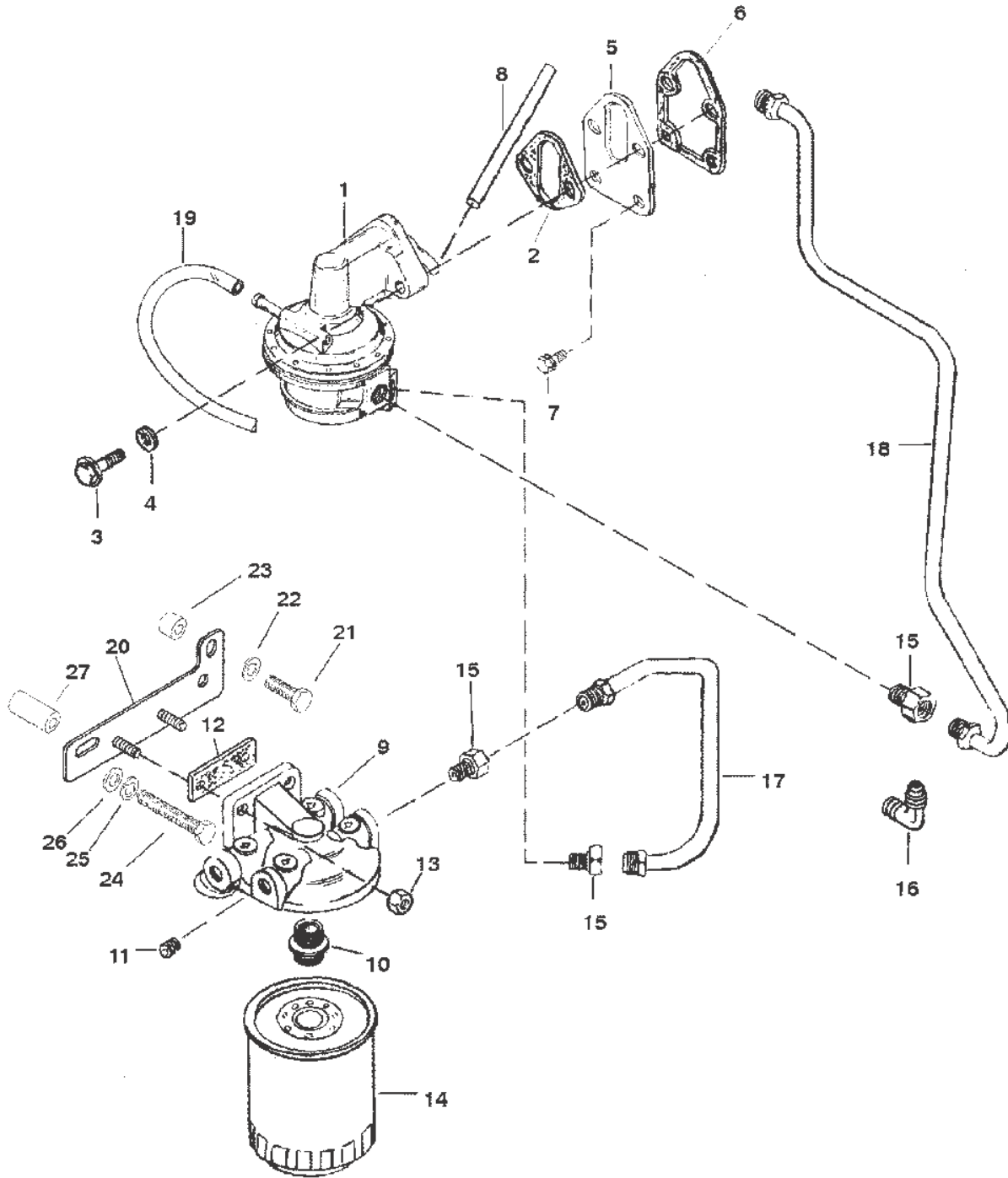


37720

DISTRIBUTOR AND IGNITION COMPONENTS

- [3] - COMPONENT OF OVERHAUL GASKET SET 806871A96.
- [4] - Alternate part numbers:
 - 816761A17Service Part
 - 816761K17MPP
 - 816761Q17QS
- [5] - Alternate part numbers:
 - 59571QS
 - 59571BBulk Pack
- [6] - PART IS NEW AND LISTED FOR THE FIRST TIME

FUEL PUMP AND FUEL FILTER



37620

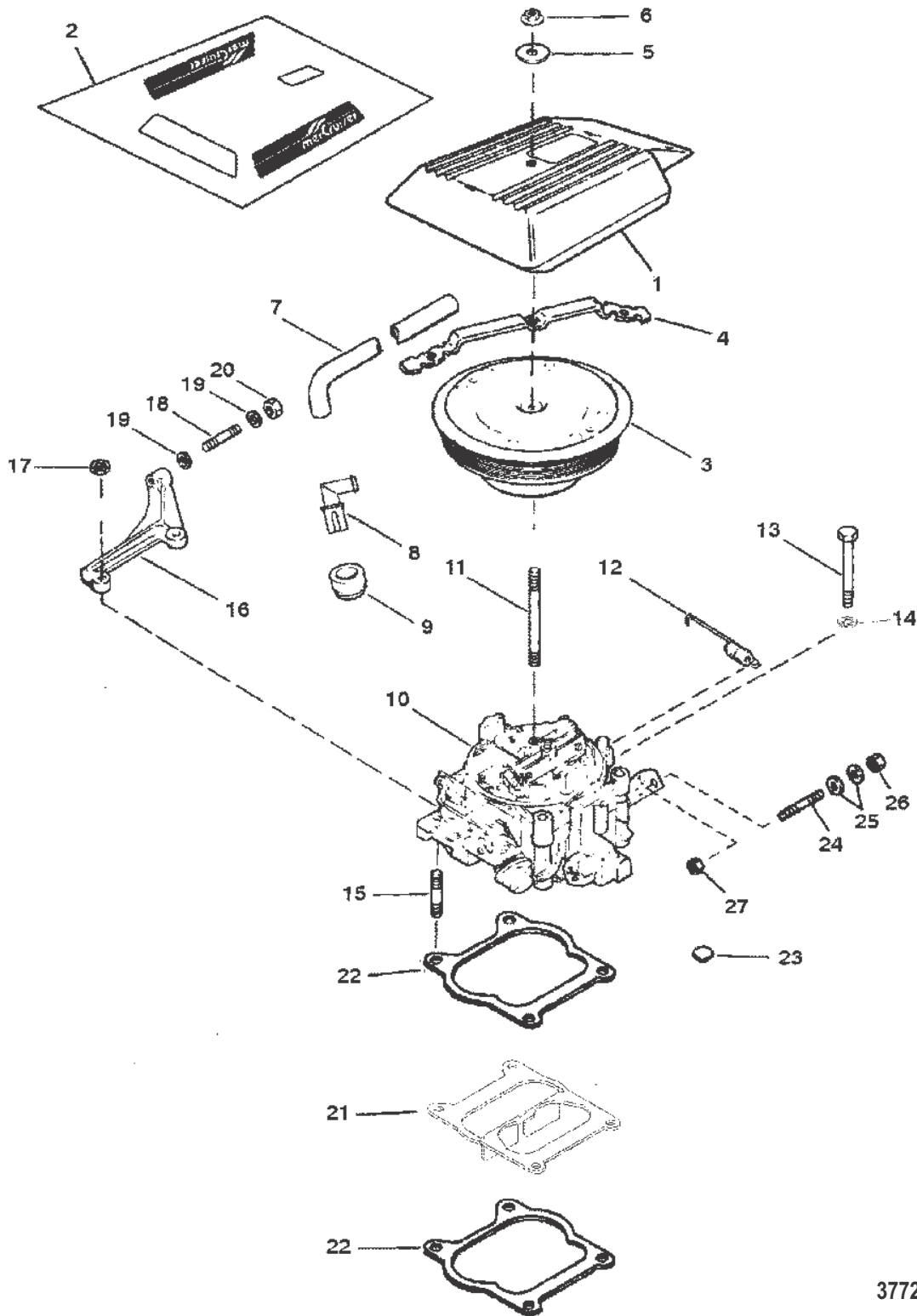
FUEL PUMP AND FUEL FILTER

Ref #	Part Class	Part Number	Description	Comments	Qty	Note
1	0000	97401A8	PUMP ASSEMBLY Fuel		1	
2	0027	34213	GASKET		1	[1]
3	0010	34354	SCREW (.375-16 x 1.50)		2	
4	0013	35048	LOCKWASHER (.375)		2	
5	0000	35373	MOUNTING PLATE		1	
6	0027	34898	GASKET		1	[1]
7	0010	35366	SCREW		2	
8	0000	35377	ROD	Hydraulic Lifters (5.7L Alpha/Bravo)	1	
8	0000	821150	PUSH ROD	Roller Lifters (5.7LX Alpha/Bravo & 350 MAG Alpha)	1	
9	0000	89876A3	BASE ASSEMBLY Fuel Filter/Water Seperator		1	
10	0022	8161331	FITTING		1	
11	0022	32561	PLUG Pipe - Allen Head (.250-18)		3	
12	0000	88641	INSULATOR		1	
13	0011	35814	NUT (.312-24) Stainless Steel		2	
14	0035	807172	FILTER Fuel/Water Separator		1	[2]
15	0022	33821	CONNECTOR	USE WITH 2 BBL. CARB.	3	
15	0022	33821	CONNECTOR	USE WITH 4 BBL. CARB.	2	
16	0022	43276	ELBOW (90 Degree)	USE WITH 4 BBL. CARB.	1	
17	0032	97326T	LINE Fuel		1	
18	0032	96855T	LINE Fuel	(USE WITH 2 BBL. CARB.)	1	
18	0032	821761T	LINE Fuel	(USE WITH 4 BBL. CARB.)	1	
19	0032	7381567	TUBING (42.00 Inches Bulk)		1	
20	0000	805367T	BRACKET		1	
21	0010	37612	SCREW (.375-16 x 1.250)		1	
22	0013	35048	LOCKWASHER (.375)		1	
23	0023	91034	SPACER (.380 x 1.00 x .530)		1	
24	0010	26486	SCREW (.375-16 x 2.375)		1	
25	0013	35048	LOCKWASHER (.375)		1	
26	0012	20553	WASHER (.406 x .734 x .063)		1	
27	0023	15895	SPACER (.38 x 1.00 x 1.44)		1	
-	0027	806871A96	GASKET SET Overhaul		1	

PART NOTES:

- [1] - COMPONENT OF OVERHAUL GASKET SET 806871A96.
 [2] - Alternate part numbers:
 802893QQS
 802893TMPP
 807172Service Part

CARBURETOR/THROTTLE LINKAGE (4 BARREL)



37721

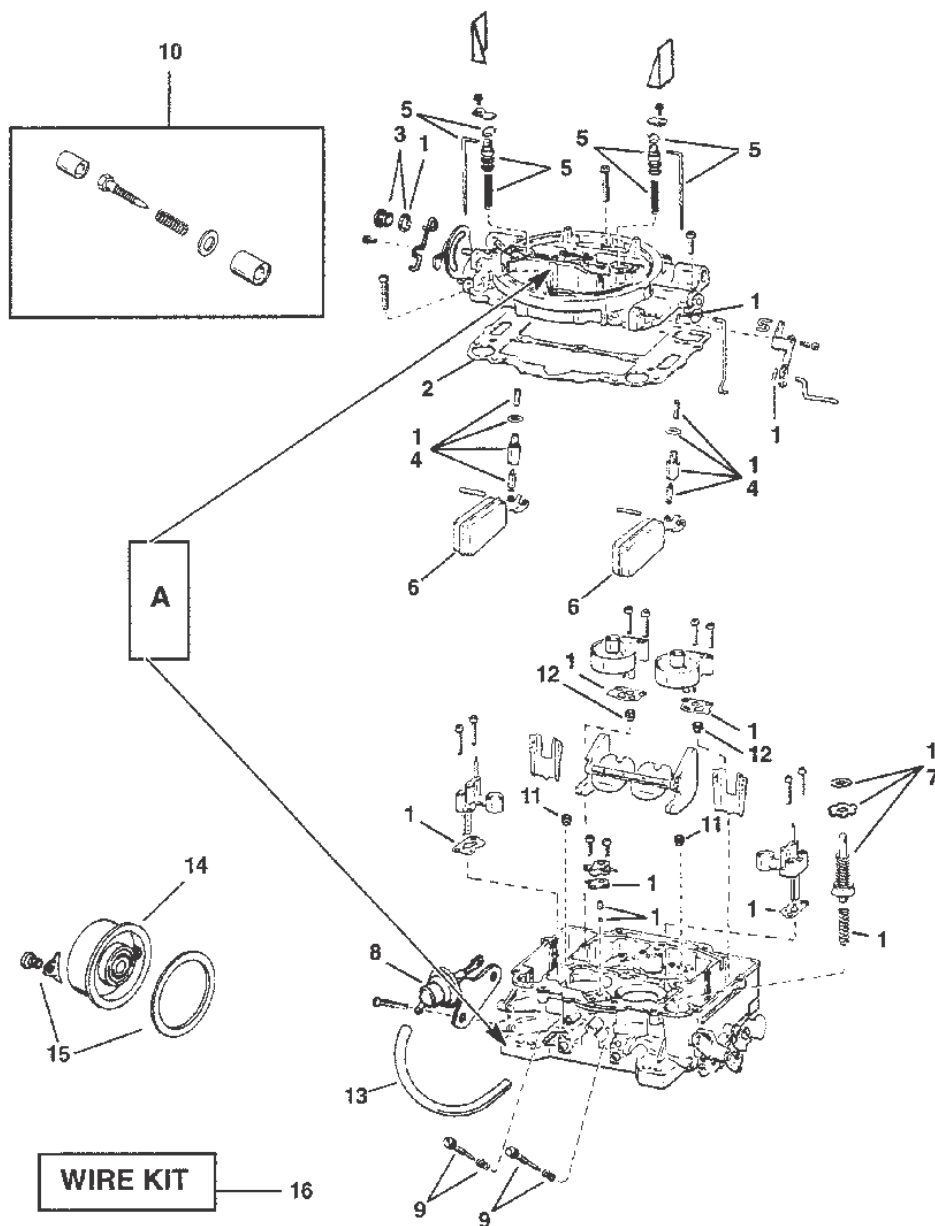
CARBURETOR/THROTTLE LINKAGE (4 BARREL)

Ref #	Part Class	Part Number	Description	Comments	Qty	Note
1	0000	18484A3	COVER		1	
2	0037	812776A33	DECAL SET	(5.7LX ALPHA/BRAVO)	1	
2	0037	812776A26	DECAL SET	(350 MAGNUM ALPHA)	1	
3	0000	805298A1	FLAME ARRESTOR		1	
4	0000	805314	RETAINER Breather Hose		1	
5	0012	86400	WASHER		1	
6	0011	35045	NUT (.250-28)		1	
7	0032	1589418	HOSE Breather		2	
8	0000	97850	ELBOW 90 Degree Breather		2	
9	0025	52188	GROMMET		2	
10	3310	807262A2	CARBURETOR		1	
10	3310	806545A1	CARBURETOR	(SWISS EMISSION BSO1 AND SAV1)	1	
11	0016	805296	STUD (4.50 Inch)		1	
12	0024	32817	SPRING		1	
13	0010	74824	SCREW (.312-18 x 1.250)		2	
14	0013	39107	LOCKWASHER (.312-24)		2	
15	0016	70236	STUD (.312 x 1.500)		2	
16	0000	805359T	BRACKET		1	
17	0011	29250	NUT (.312-24)		2	
18	0016	818192	STUD		1	
19	0012	24664	WASHER (M4 x 20)		2	
20	0011	35045	NUT (.250-28)		1	
21	0000	807228A1	SPACER		1	
22	0027	524572	GASKET		2	[1]
23	0022	48358	PLUG (.375)		1	
24	0016	96112	STUD (.250-28 x 2.00) Throttle Cable Anchor		1	
25	0012	29245	WASHER (.281 x .500 x .060) Stainless Steel		2	
26	0011	20361	NUT (.250-28)		1	
27	0011	35045	NUT (.250-28)		1	
-	0027	806871A96	GASKET SET Overhaul		1	

PART NOTES:

[1] - COMPONENT OF OVERHAUL GASKET SET 806871A96.

CARBURETOR (WEBER)



A = BEFORE ORDERING REPAIR KITS, LOOK AT WEBER NUMBER (EXAMPLE: 9776SB) AT LOCATION SHOWN. ONLY ORDER KITS THAT FIT CARBURETOR THAT YOU ARE REPAIRING.

37622

RESOURCE NOTES:

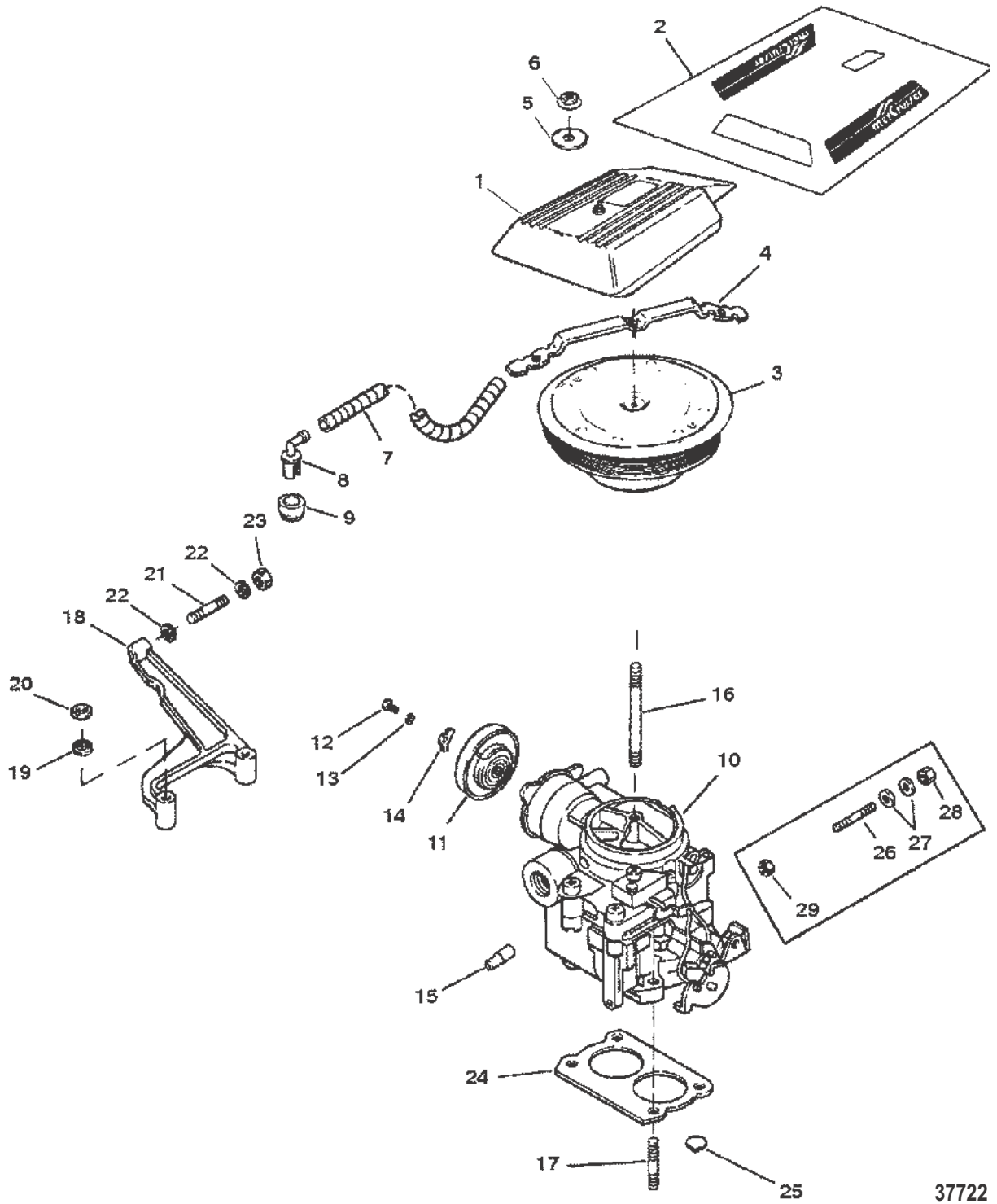
PARTS SHOWN WITHOUT A REFERENCE NUMBER ARE NOT SERVICEABLE PARTS.

CARBURETOR (WEBER)

Ref #	Part Class	Part Number	Description	Comments	Qty	Note
1	0000	809064	OVERHAUL KIT	(9781)	1	
1	0000	809071	OVERHAUL KIT	(9663 - SWISS EMISSION BSO1 AND SAV1)	1	
2	0027	809077	GASKET		1	
3	0000	811533	FITTING KIT Inlet		1	
4	0000	811534	NEEDLE/SEAT KIT Inlet		2	
5	0000	809768	METERING ROD KIT	(9781)	1	
5	0000	809074	METERING ROD KIT	(9663 - SWISS EMISSION BSO1 AND SAV1)	1	
6	0000	811536	FLOAT KIT		2	
7	0000	811537	PLUNGER KIT Pump		1	
8	0000	811538	CHOKE KIT	(AUTOMATIC CHOKE)	1	
9	0000	811539	SCREW KIT Idle Mixture	(9781)	2	
10	0000	809072	SCREW KIT Idle Mixture	(9663 - SWISS EMISSION)	1	
11	0000	809769	PRIMARY METERING JET	(9781)	2	
11	0000	809076	PRIMARY METERING JET	(9663 - SWISS EMISSION)	2	
12	0000	811657	JET Metering - Secondary		2	
13	0032	1430165	TUBING (38.00 Inches Bulk)	(AUTOMATIC CHOKE)	1	
14	0000	809066	REPAIR KIT Electric Choke		1	
15	0000	809095	RETAINER KIT Electric Choke		1	
16	0084	809471A1	WIRE KIT	(ELECTRIC CHOKE)	1	

CARBURETOR (WEBER)

CARBURETOR/THROTTLE LINKAGE (2 BARREL)



37722

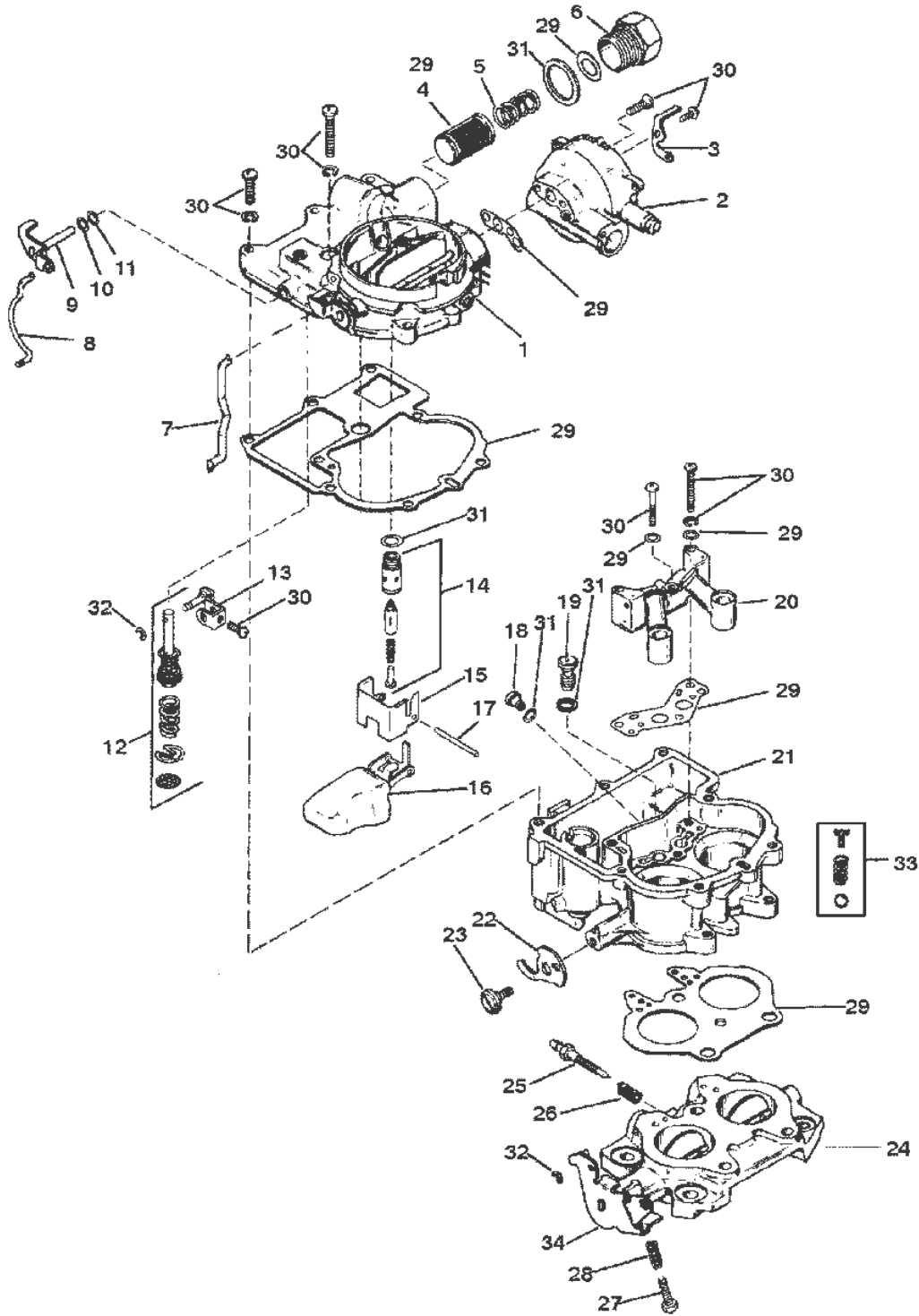
CARBURETOR/THROTTLE LINKAGE (2 BARREL)

Ref #	Part Class	Part Number	Description	Comments	Qty	Note
1	0000	18484A3	COVER		1	
2	0037	812776A32	DECAL SET	(5.7L ALPHA/BRAVO)	1	
3	0000	805016A1	FLAME ARRESTOR		1	
4	0000	805313	RETAINER		1	
5	0012	86400	WASHER		1	
6	0011	35045	NUT (.250-28)		1	
7	0032	1589418	HOSE Breather		2	
8	0000	97850	ELBOW 90 Degree Breather		2	
9	0025	52188	GROMMET		2	
10	3310	807312A1	CARBURETOR ASSEMBLY (MERCARB)		1	[1]
11	0000	70125A1	COVER Choke		1	
12	0010	33047	SCREW		3	
13	0013	26995	LOCKWASHER (#8) Stainless Steel		1	
14	0054	33036	RETAINER		3	
15	0022	54090	ELBOW		1	
16	0016	805295	STUD (.250-20/.250-28 x Special)		1	
17	0016	70237	STUD (.312-18/.312-24 x 2.620)		2	
17	0016	70236	STUD (.312 x 1.500)		2	
18	0000	805489T	BRACKET		1	
19	0012	20084	WASHER (.328 x .562 x .062)		4	
20	0011	25594	NUT (.9375-24)		4	
21	0016	38525	STUD		1	
22	0012	24664	WASHER (M4 x 20)		2	
23	0011	35045	NUT (.250-28)		1	
24	0027	701431	GASKET		1	[2]
25	0022	48358	PLUG (.375)		1	
26	0016	96112	STUD (.250-28 x 2.00) Throttle Cable Anchor		1	
27	0012	29245	WASHER (.281 x .500 x .060) Stainless Steel		2	
28	0011	20361	NUT (.250-28)		1	
29	0011	35045	NUT (.250-28)		1	
-	0027	806871A96	GASKET SET Overhaul		1	

PART NOTES:

- [1] - Alternate part numbers:
807312A 1QS
807312R02Reman
- [2] - COMPONENT OF OVERHAUL GASKET SET 806871A96.

CARBURETOR (MERCARB - 2 BARREL)



37723

CARBURETOR (MERCARB - 2 BARREL)

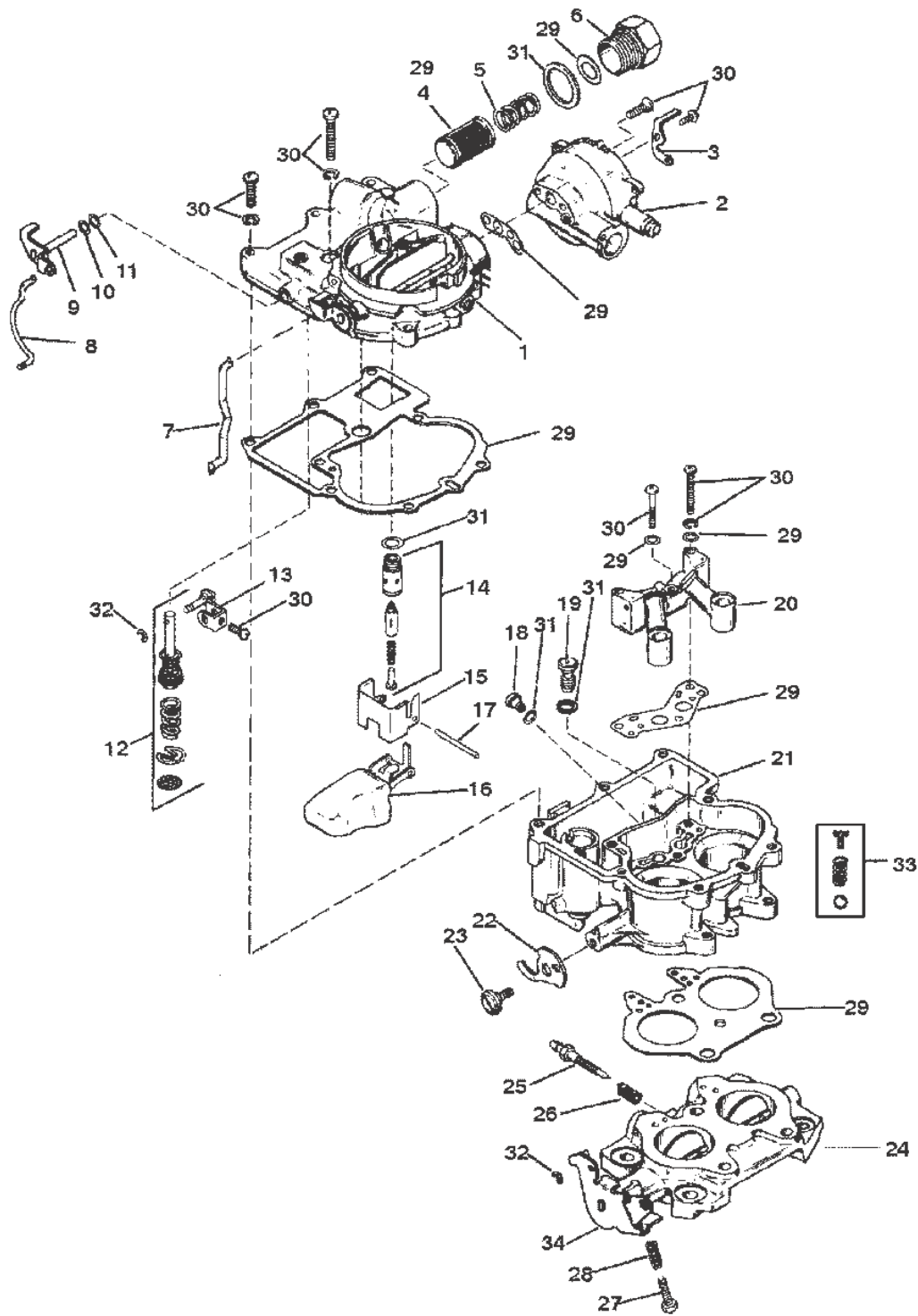
Ref #	Part Class	Part Number	Description	Comments	Qty	Note
-	3310	807312A1	CARBURETOR ASSEMBLY		1	[1]
1		NSS	NOT SOLD SEPARATE AIR HORN		1	[2]
2		NSS	NOT SOLD SEPARATE CHOKE HOUSING		1	[2]
3	3302	9037	ARM Choke		1	
4	0035	53336	STRAINER		1	[3]
5	3302	9032	SPRING		1	
6	3302	879194018	CONNECTOR		1	
7	3302	9042	ROD Choke		1	
8	3302	8109201	ROD		1	
9	3302	8237251	LEVER		1	
10	3302	9039	WASHER		2	
11	3302	810919	WASHER		1	
12	3302	96551	PUMP KIT Accelerator		1	[4]
13	3302	810916	ARM		1	
14	3302	9029	SEAT KIT Inlet		1	
15	3302	90381	PLATE Baffle		1	
16	3302	9031	FLOAT		1	
17	3302	90301	PIN Float		1	
18	3302	9058	JET Main		2	
19	3302	9059	JET POWER		1	
20	3302	879194060	VENTURI		1	
21		NSS	NOT SOLD SEPARATE CARBURETOR BODY		1	[2]
22	3302	9048	CAM		1	
23	3302	9049	SHAFT		1	
24		NSS	NOT SOLD SEPARATE FLANGE ASSEMBLY		1	[2]
25	3302	9052	SCREW		1	
26	3302	9053	SPRING		1	
27	3302	9060	SCREW		1	
28	3302	9054	SPRING		1	
29	3302	90611	GASKET SET		1	
30	3302	8109301	SCREW KIT		1	
31	3302	90441	PACKING SET		1	
32	3302	808675	CLIP Spring		2	
33	3302	809520	CHECK BALL KIT		1	
34	3302	834989	LEVER/SHAFT ASSEMBLY Throttle		1	

PART NOTES:

- [1] - Alternate part numbers:
807312A 1QS
807312R02Reman
- [2] - NOT SOLD SEPARATE

CARBURETOR (MERCARB - 2 BARREL)

CARBURETOR (MERCARB - 2 BARREL)



37723

CARBURETOR (MERCARB - 2 BARREL)

CARBURETOR (MERCARB - 2 BARREL)

[3] - Alternate part numbers:

53336Service Part

53336BKBulk Pack

53336QQS

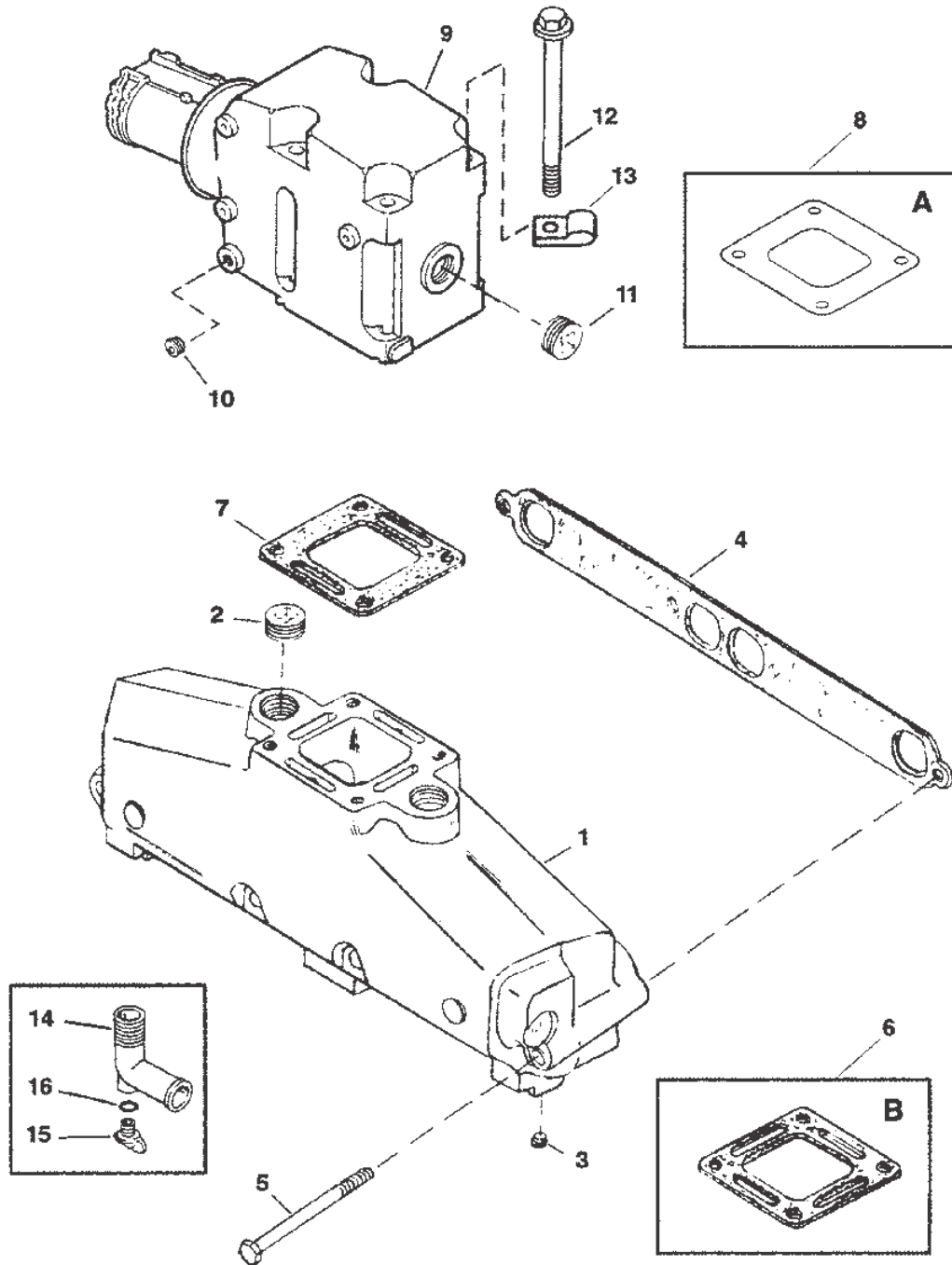
53336TMPP

[4] - Alternate part numbers:

804844002Kit

9655 1Service Part

EXH. MANIFOLD AND CAST IRON EXH. ELBOW (5.7L/5.7LX ALPHA)



A = CLOSED COOLING ONLY

B = USE WITH RISER KITS

37724

EXH. MANIFOLD AND CAST IRON EXH. ELBOW (5.7L/5.7LX ALPHA)

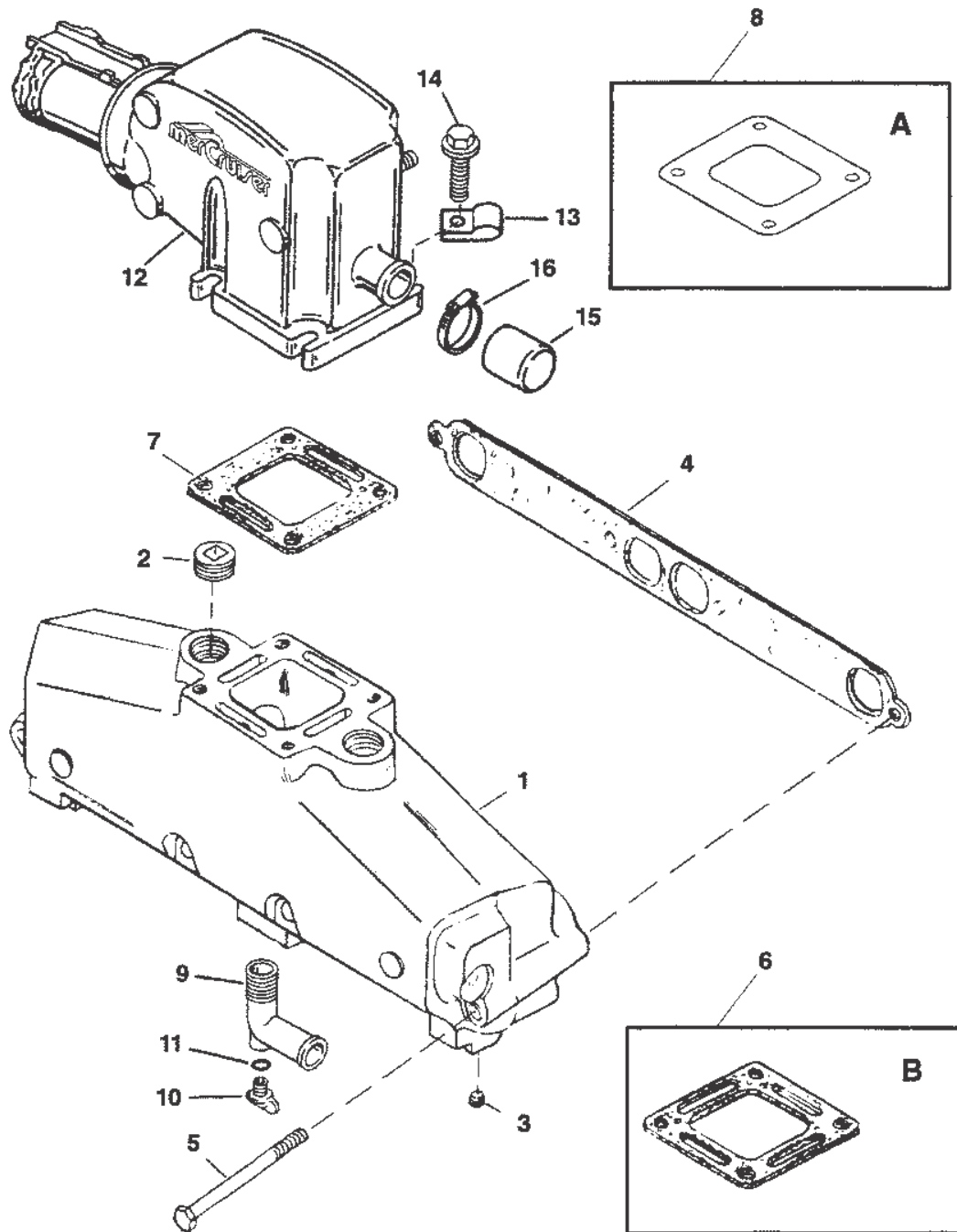
EXH. MANIFOLD AND CAST IRON EXH. ELBOW (5.7L/5.7LX ALPHA)

Ref #	Part Class	Part Number	Description	Comments	Qty	Note
1	0000	87114A19	MANIFOLD ASSEMBLY Exhaust		2	
2	0022	33198A1	PLUG (3/4-14)		8	
3	0022	36382	FITTING (.250-18 x .62) Brass		4	
4	0027	33395	GASKET		2	[1]
5	0010	53728	SCREW (.375-16 x 4.75)		8	
6	0027	818832	GASKET	(USE WITH RISER KITS)	2	
7	0027	41813	GASKET	(STANDARD COOLING)	2	[1]
8	0027	41811	GASKET	(CLOSED COOLING)	2	[1]
9	0000	807914A1	ELBOW ASSEMBLY Exhaust		2	
9	0000	44354A10	ELBOW ASSEMBLY Exhaust	(PORT) SWISS EMISSIONS BSO1 AND SAV1	1	
9	0000	44354A9	ELBOW ASSEMBLY Exhaust	(STARBOARD) SWISS EMISSIONS BSO1 AND SAV1	1	
10	0022	36382	FITTING (.250-18 x .62) Brass		2	
11	0022	33198A1	PLUG (3/4-14)		2	
12	0010	43749	SCREW (.375-16 x 5.750)		8	
12	0010	43749	SCREW (.375-16 x 5.750)	USE WITH REMOTE OIL FILTER	6	
12	0010	44387	SCREW (.376-16 x 6.750)	USE WITH REMOTE OIL FILTER	2	
13	0054	73668	J-CLIP		1	
14	0022	806926A1	ELBOW KIT Drain		2	
15	0022	806608A1	PLUG KIT (.500-13) Royal Blue		2	[2]
16	0025	806609	QUAD RING		2	
-	0000	93320A3	RISER KIT Exhaust Elbow (3 In.) (3")	EACH KIT CONTAINS 2 RISERS	1	
-	0000	93322A6	RISER KIT Exhaust Elbow (6 In.) (6")	EACH KIT CONTAINS 2 RISERS	1	
-	0027	806871A96	GASKET SET Overhaul		1	

PART NOTES:

- [1] - COMPONENT OF OVERHAUL GASKET SET 806871A96.
 [2] - Alternate part numbers:
 806608A 1Service Part
 806608Q01QS

EXH. MANIFOLD AND S. STEEL EXH ELBOW (5.7L/5.7LX BRAVO`)



A = CLOSED COOLING ONLY

B = USE WITH RISER KITS

37725

EXH. MANIFOLD AND S. STEEL EXH ELBOW (5.7L/5.7LX BRAVO`)

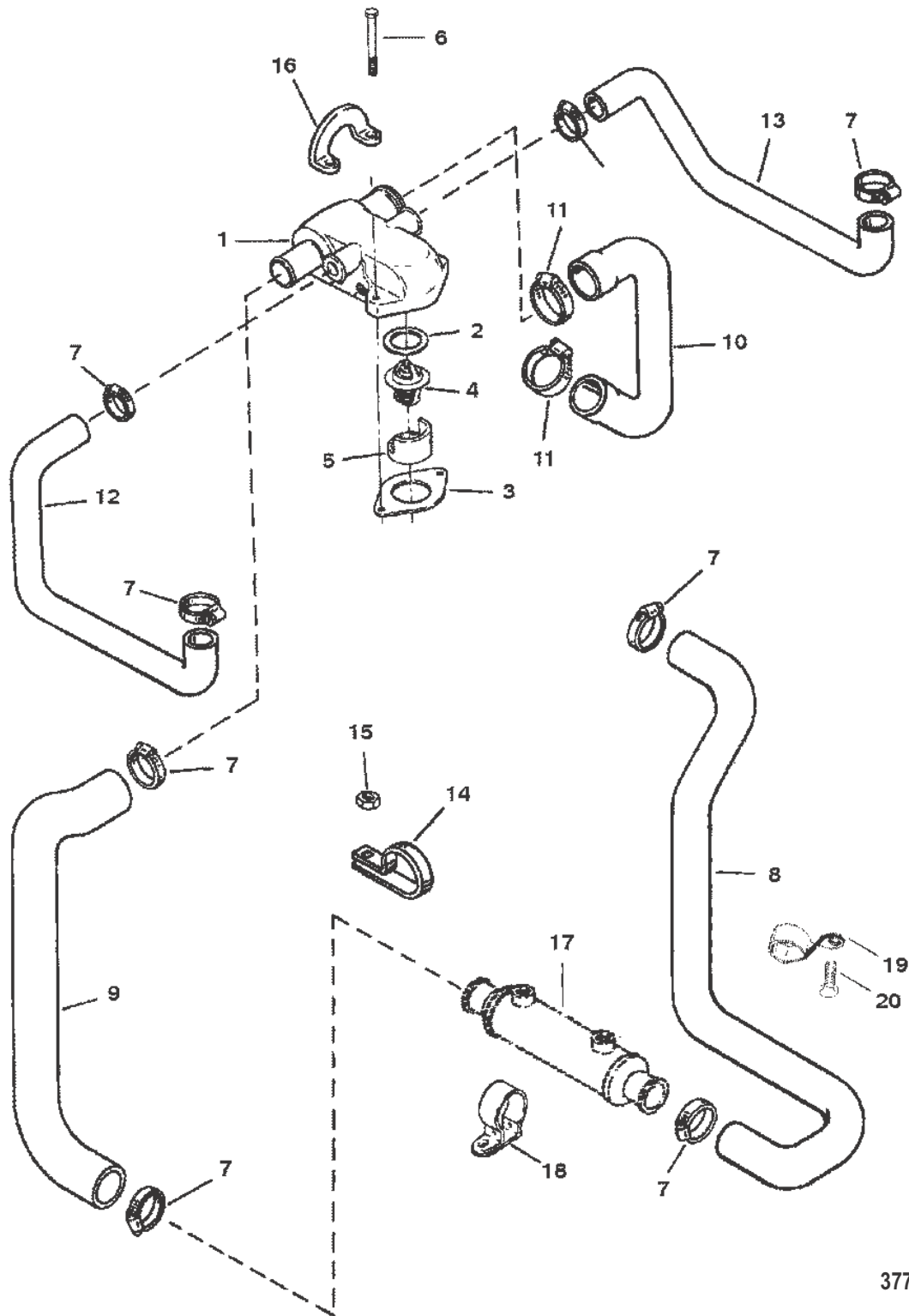
EXH. MANIFOLD AND S. STEEL EXH ELBOW (5.7L/5.7LX BRAVO`)

Ref #	Part Class	Part Number	Description	Comments	Qty	Note
1	0000	87114A19	MANIFOLD ASSEMBLY Exhaust		2	
2	0022	33198A1	PLUG (3/4-14)		AR	[1]
3	0022	36382	FITTING (.250-18 x .62) Brass		4	
4	0027	33395	GASKET		2	[2]
5	0010	53728	SCREW (.375-16 x 4.75)		8	
6	0027	818832	GASKET	(USE WITH RISER KITS)	2	
7	0027	41813	GASKET	(STANDARD COOLING)	2	[2]
8	0027	41811	GASKET	(CLOSED COOLING)	2	[2]
9	0022	806926A1	ELBOW KIT Drain		2	
10	0022	806608A1	PLUG KIT (.500-13) Royal Blue		2	[3]
11	0025	806609	QUAD RING		2	
12	0000	816900A5	ELBOW ASSEMBLY Exhaust	(PORT)	1	
12	0000	816900A9	ELBOW ASSEMBLY	(STARBOARD)	1	
13	0054	73668	J-CLIP	(PORT) WITH REMOTE OIL FILTER	1	
14	0010	98534	SCREW (.375-16 x 2.30)	WITH REMOTE OIL FILTER	2	
14	0010	12244	SCREW (.375-16 x 1.00)	WITH REMOTE OIL FILTER	6	
14	0010	12244	SCREW (.375-16 x 1.00)		8	
15	0019	805727	CAP Rubber		2	
16	0054	815504220	CLAMP Worm Gear		2	
-	0000	93320A7	RISER KIT Exhaust (3.00 Inch)	EACH KIT CONTAINS 2 RISERS	1	
-	0000	93322A5	RISER KIT Exhaust (6.00 Inch)	EACH KIT CONTAINS 2 RISERS	1	
-	0027	806871A96	GASKET SET Overhaul		1	

PART NOTES:

- [1] - AS REQUIRED
- [2] - COMPONENT OF OVERHAUL GASKET SET 806871A96.
- [3] - Alternate part numbers:
806608A 1Service Part
806608Q01QS

STANDARD COOLING SYSTEM (5.7L/5.7LX ALPHA)



37726

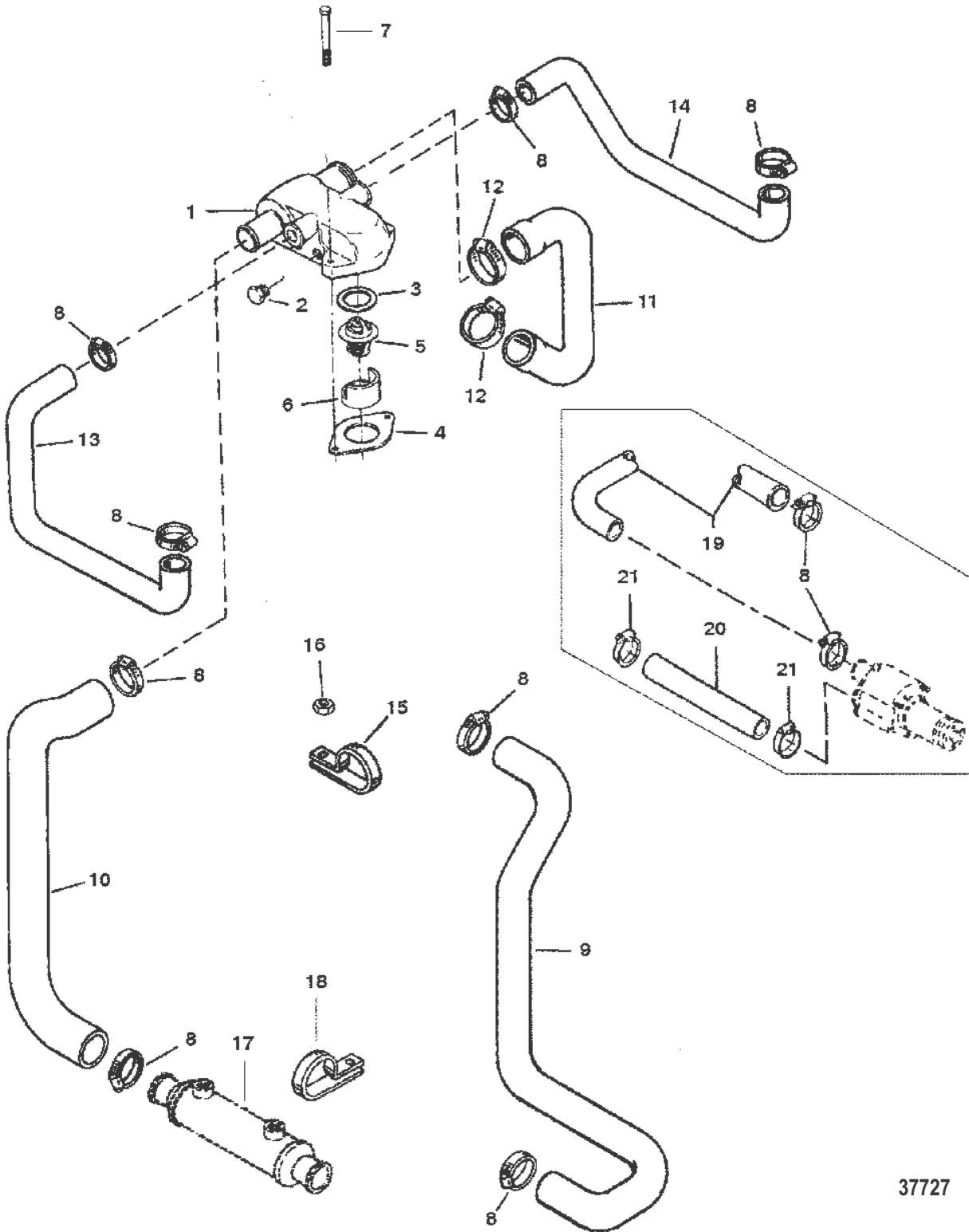
STANDARD COOLING SYSTEM (5.7L/5.7LX ALPHA)

Ref #	Part Class	Part Number	Description	Comments	Qty	Note
1	0000	807123A2	HOUSING ASSEMBLY Thermostat		1	
2	0027	806871	GASKET		1	[1]
3	0027	530451	GASKET		1	[2]
4	0000	8072522	THERMOSTAT 71°C (160°F)		1	[3]
5	0023	806922	SLEEVE		1	
6	0010	98508	SCREW (.375-16 x 3.00)		2	
7	0054	815504220	CLAMP Worm Gear		AR	[4]
8	0032	8153642	HOSE		1	
9	0032	806856	HOSE		1	
10	0032	806825	HOSE		1	
11	0054	815504232	CLAMP Worm Gear (2.50 Diameter)		2	
12	0032	8066351	HOSE	(PORT)	1	
13	0032	8066361	HOSE	(STARBOARD)	1	
14	0054	47715	CLIP		1	
15	0011	29250	NUT (.312-24)		1	
16	0000	12552	LIFTING EYE		1	
17	0000	807292T	COOLER Power Steering Oil		1	
18	0054	816398	CLIP		1	
19	0054	64489	CLAMP		1	
20	0010	98261	SCREW (.375-16 x .750)		1	
-	0027	806871A96	GASKET SET Overhaul		1	

PART NOTES:

- [1] - COMPONENT OF OVERHAUL GASKET SET 806871A96.
- [2] - Alternate part numbers:
53045 1Service Part
53045Q01QS
COMPONENT OF OVERHAUL GASKET SET 806871A96.
- [3] - Alternate part numbers:
807252 2Service Part
807252Q 5QS Kit
807252T 5MPP Kit
- [4] - AS REQUIRED

STD. COOLING SYSTEM (5.7L/5.7LX BRAVO) (350 MAGNUM/ALPHA)



37727

STD. COOLING SYSTEM (5.7L/5.7LX BRAVO) (350 MAGNUM/ALPHA)

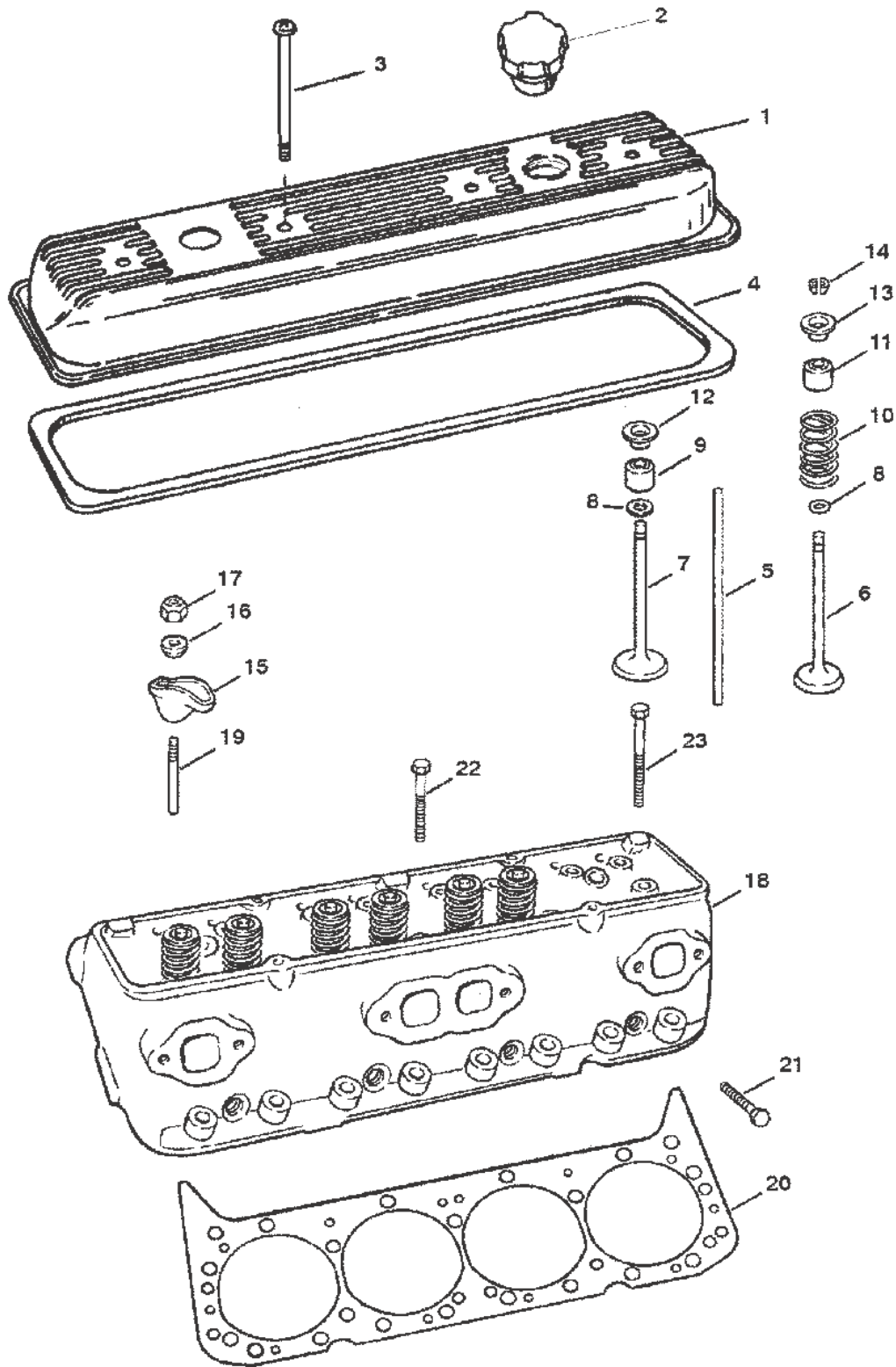
STD. COOLING SYSTEM (5.7L/5.7LX BRAVO) (350 MAGNUM/ALPHA)

Ref #	Part Class	Part Number	Description	Comments	Qty	Note
1	0000	806235A1	HOUSING ASSEMBLY Thermostat		1	
2	0022	32803	PLUG Pipe (.375-18) Brass		2	
3	0027	806871	GASKET		1	[1]
4	0027	530451	GASKET		1	[2]
5	0000	8072522	THERMOSTAT 71°C (160°F)		1	[3]
6	0023	806922	SLEEVE		1	
7	0010	98794	SCREW (.375-16 x 1.00)		2	
8	0054	815504220	CLAMP Worm Gear		AR	[4]
9	0032	8153642	HOSE	(ALPHA ENGINES)	1	
10	0032	806856	HOSE		1	
11	0032	806825	HOSE		1	
12	0054	815504232	CLAMP Worm Gear (2.50 Diameter)		2	
13	0032	8066351	HOSE	(PORT)	1	
14	0032	8066361	HOSE	(STARBOARD)	1	
15	0054	47715	CLIP		1	
16	0011	29250	NUT (.312-24)		1	
17	0000	807292T	COOLER Power Steering Oil		1	
18	0054	816398	CLIP		1	
19	0032	887952	HOSE	BRAVO ENGINES	1	
20	0032	1743579	HOSE (96.00 Inches Bulk)	BRAVO ENGINES	1	
21	0054	815504222	CLAMP Worm Gear (1.98 Diameter)	BRAVO ENGINES	2	
-	0027	806871A96	GASKET SET Overhaul		1	

PART NOTES:

- [1] - COMPONENT OF OVERHAUL GASKET SET 806871A96.
- [2] - Alternate part numbers:
53045 1Service Part
53045Q01QS
COMPONENT OF OVERHAUL GASKET SET 806871A96.
- [3] - Alternate part numbers:
807252 2Service Part
807252Q 5QS Kit
807252T 5MPP Kit
- [4] - AS REQUIRED

CYLINDER HEAD AND ROCKER COVER



37728

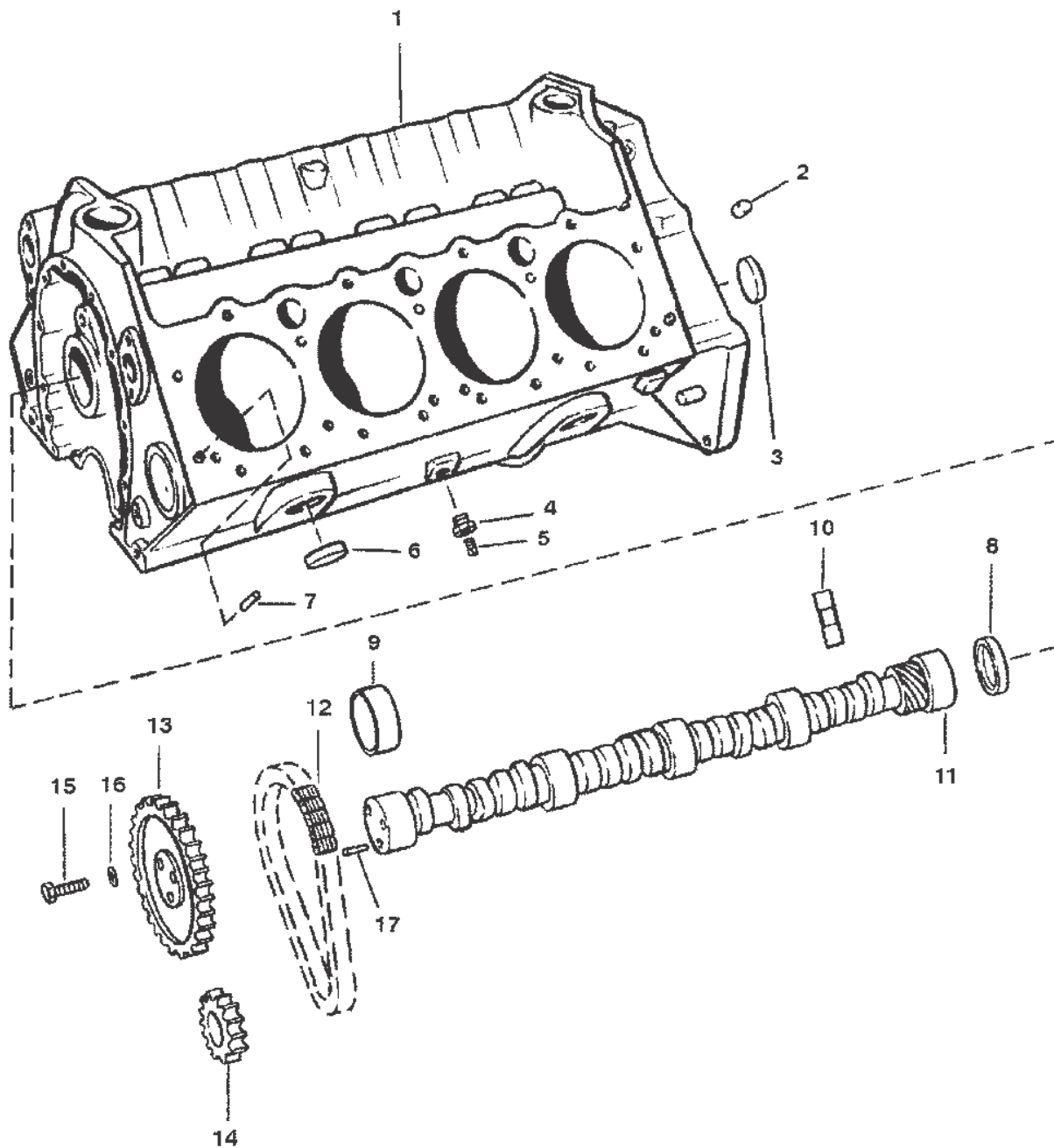
CYLINDER HEAD AND ROCKER COVER

Ref #	Part Class	Part Number	Description	Comments	Qty	Note
1	0000	809995	COVER Rocker		2	
2	0036	187101	CAP Oil Fill		2	
3	0010	17344	SCREW		8	
4	0027	17467	GASKET Rocker Cover		2	[1]
5	0000	99948	PUSH ROD	(Hydraulic Lifters) 5.7L Alpha/Bravo	16	
5	0000	173391	PUSH ROD	(Roller Lifters) 5.7LX ALpha/Bravo & 350 Magnum Alpha	16	
6	0000	850095	VALVE Exhaust	(STANDARD)	8	
6	0000	850096	VALVE Exhaust	(.015 O.S.)	AR	[2]
7	0000	97661	VALVE Intake-Standard Intake	(STANDARD)	8	
7	0000	97662	VALVE Intake	(.015 O.S.)	AR	[2]
8	0026	34217	SEAL	(INTAKE AND EXHAUST)	16	[1]
9	0026	97664	SEAL	(INTAKE)	8	[1]
10	0024	48347	SPRING		16	
11	0000	34518	SHIELD		16	
12	0000	48348	CAP	(INTAKE)	8	
13	0000	11965	ROTATOR	(EXHAUST)	8	
14	0028	547971	KEY		32	
15	0000	35329	ARM KIT Rocker		16	
16	0000	35331	BALL Rocker Arm		16	
17	0011	34516	NUT		16	
18	0938	9718	CYLINDER HEAD ASSEMBLY		2	
19	0016	34522	STUD	(.003 O.S.)	AR	[2]
19	0016	34521	STUD	(.013 O.S.)	AR	[2]
20	0027	75611	GASKET		2	[1]
21	0010	11968	SCREW (.437-14 x 1.750)		16	
22	0010	119671	SCREW (.437-14 x 3.00)		4	
23	0010	11966	SCREW (.437-14 x 3.750)		14	
-	0027	806871A96	GASKET SET Overhaul		1	

PART NOTES:

- [1] - COMPONENT OF OVERHAUL GASKET SET 806871A96.
 [2] - AS REQUIRED

CYLINDER BLOCK AND CAMSHAFT (5.7L ALPHA/BRAVO)



37729

RESOURCE NOTES:

MARINE LONG BLOCK ENGINES INCLUDE INTERNAL PARTS AND CYLINDER HEAD
 350 C.I.D. HYDRAULIC LIFTERS

CYLINDER BLOCK AND CAMSHAFT (5.7L ALPHA/BRAVO)

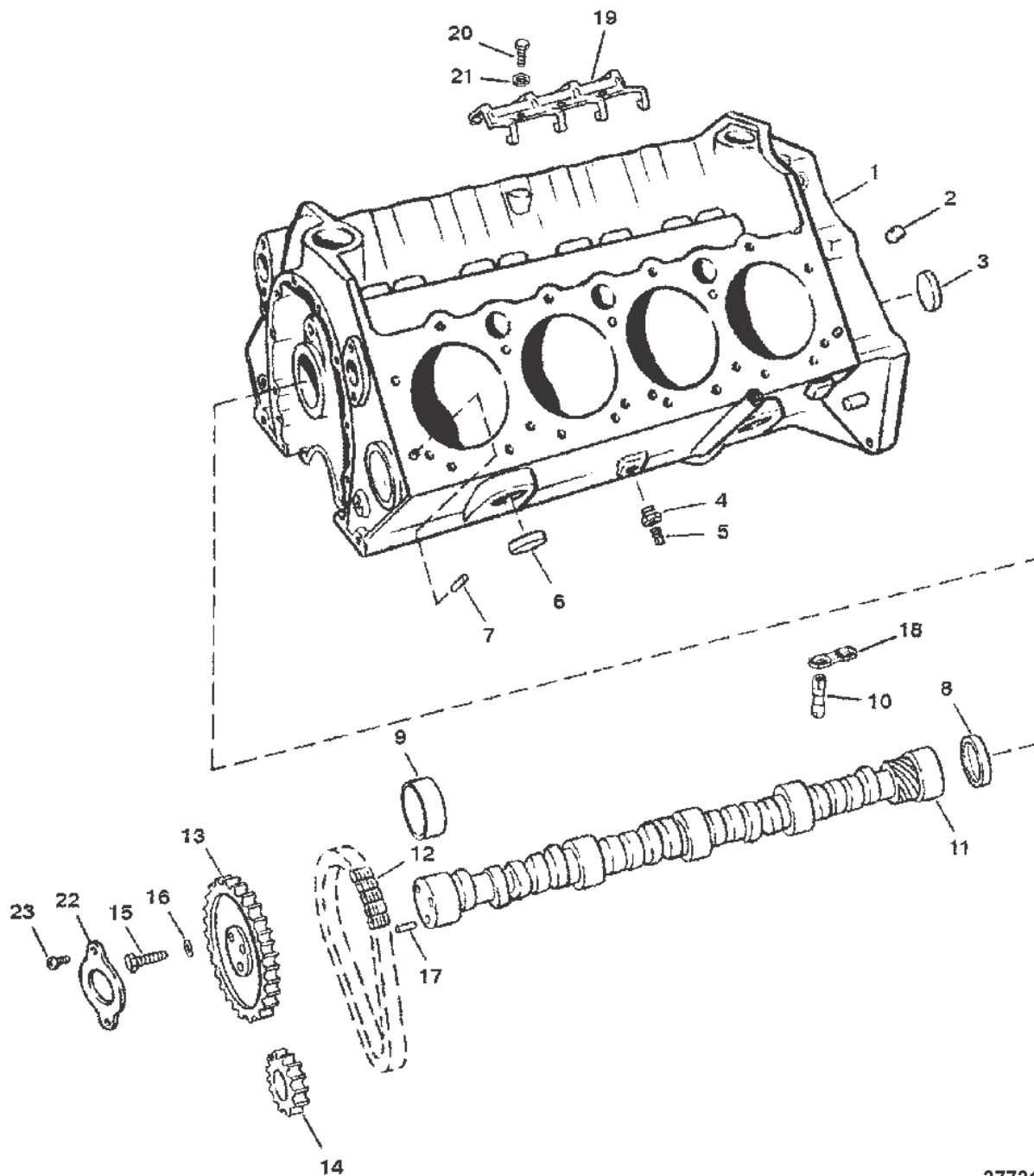
CYLINDER BLOCK AND CAMSHAFT (5.7L ALPHA/BRAVO)

Ref #	Part Class	Part Number	Description	Comments	Qty	Note
1		NSS	NOT SOLD SEPARATE CYLINDER BLOCK ASSEMBLY	(ORDER LONG BLOCK 807315A1)	1	[1]
2	0022	48340	PLUG (.250-18 x .41)		3	
3	0019	816565	PLUG Cup (.468)		5	
4	0022	48556	BUSHING Reducer (.250 To .125)		2	
5	0022	328021	PLUG Pipe (.125-27)		2	
6	0019	34270	EXPANSION PLUG (1.625)		8	
7	0017	35465	PIN Dowel (.312)		4	
8	0022	72640	PLUG Expansion		1	
9	0023	85674	BEARING SET		1	
10	0000	72638	LIFTER		16	
11	0431	5943	CAMSHAFT		1	
12	0000	17161	CHAIN Timing		1	
13	0043	17159	SPROCKET		1	
14	0043	17160	SPROCKET Crankshaft		1	
15	0010	35339	SCREW (.312-18 x .750)		3	
16	0012	848136	WASHER (.328 x .680 x .190)		3	
17	0017	35312	PIN Dowel (1/4 In. Diameter)		1	
-	0000	807315A1	MARINE LONG BLOCK ENGINE (2 BBL CARBURETOR)		1	[2]
-	0092	809825	RTV SILICONE (3 Ounce Tube) Metallic Blue (WHERE APPLICABLE)		1	
-	0092	342271	SEALING COMPOUND (16 Ounce) (WHERE APPLICABLE)		1	

PART NOTES:

- [1] - NOT SOLD SEPARATE
- [2] - Alternate part numbers:
807315A 1QS
883944R 5Reman Plat.
883944R50Reman Int'l
891781R01Reman

CYL. BLOCK AND CAMSHAFT (5.7LX ALPHA/BRAVO)(350 MAG/ALPHA)



37731

RESOURCE NOTES:

MARINE LONG BLOCK ENGINES INCLUDE INTERNAL PARTS AND CYLINDER HEAD
 350 C.I.D. ROLLER LIFTERS

CYL. BLOCK AND CAMSHAFT (5.7LX ALPHA/BRAVO)(350 MAG/ALPHA)

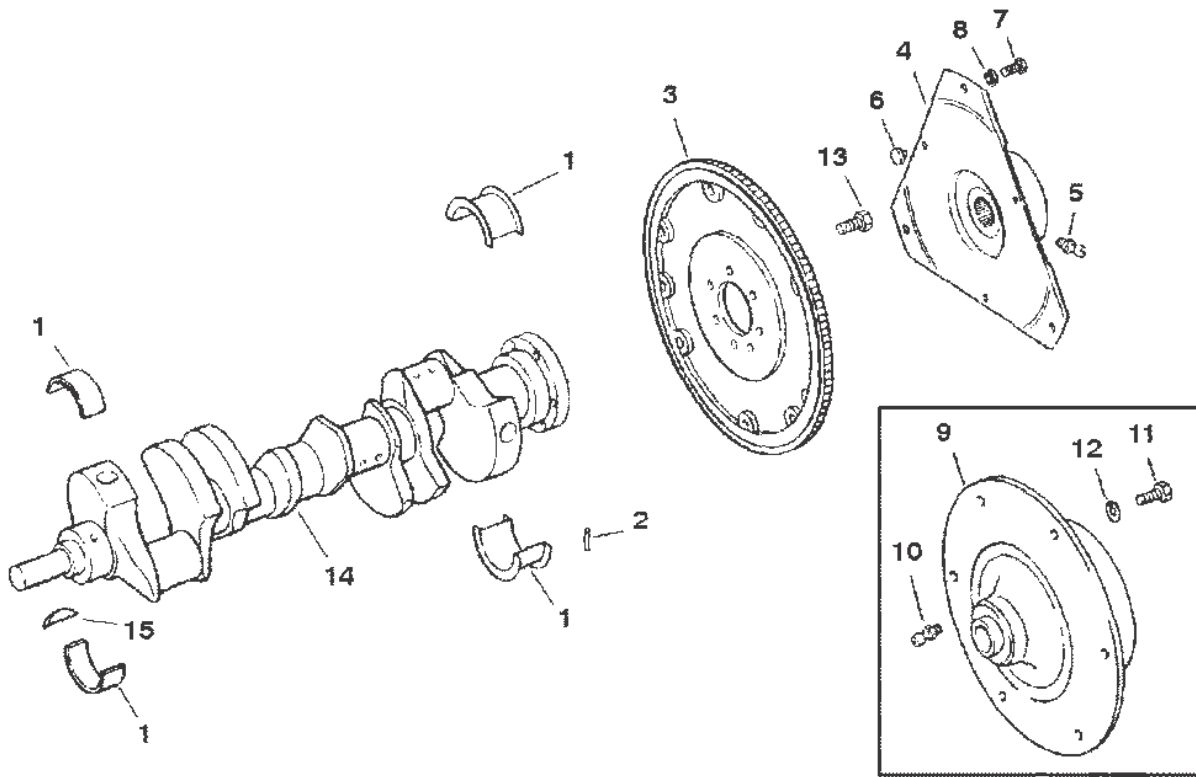
CYL. BLOCK AND CAMSHAFT (5.7LX ALPHA/BRAVO)(350 MAG/ALPHA)

Ref #	Part Class	Part Number	Description	Comments	Qty	Note
1		NSS	NOT SOLD SEPARATE CYLINDER BLOCK ASSEMBLY	(ORDER LONG BLOCK 807447A1)	1	[1]
2	0022	48340	PLUG (.250-18 x .41)		3	
3	0019	816565	PLUG Cup (.468)		5	
4	0022	48556	BUSHING Reducer (.250 To .125)		2	
5	0022	328021	PLUG Pipe (.125-27)		2	
6	0019	34270	EXPANSION PLUG (1.625)		8	
7	0017	35465	PIN Dowel (.312)		4	
8	0022	72640	PLUG Expansion		1	
9	0023	85674	BEARING SET		1	
10	0000	173401	LIFTER Roller		16	
11	0431	811658	CAMSHAFT		1	
12	0000	17161	CHAIN Timing		1	
13	0043	8116591	SPROCKET Camshaft		1	
14	0043	17160	SPROCKET Crankshaft		1	
15	0010	35339	SCREW (.312-18 x .750)		3	
16	0012	848136	WASHER (.328 x .680 x .190)		3	
17	0017	35312	PIN Dowel (1/4 In. Diameter)		1	
18	0000	17341	GUIDE Lifter		8	
19	0000	811662	RETAINER Lifter Guide		1	
20	0010	34500	SCREW (.312-18 x .625)		3	
21	0012	811664	WASHER (.3125 Inch)		3	
22	0000	811663	RETAINER		1	
23	0010	17343	SCREW (.250-20 x .500)		2	
-	0000	807447A1	LONGBLOCK ASSEMBLY (4 BBL CARBURETOR)		1	[2]
-	0092	809825	RTV SILICONE (3 Ounce Tube) Metallic Blue (WHERE APPLICABLE)		1	
-	0092	342271	SEALING COMPOUND (16 Ounce) (WHERE APPLICABLE)		1	

PART NOTES:

- [1] - NOT SOLD SEPARATE
- [2] - Alternate part numbers:
807447A 1QS
807447R 5Reman Plat.
807447R50Reman Int'l
891782R01Reman

CRANKSHAFT AND FLYWHEEL



37677

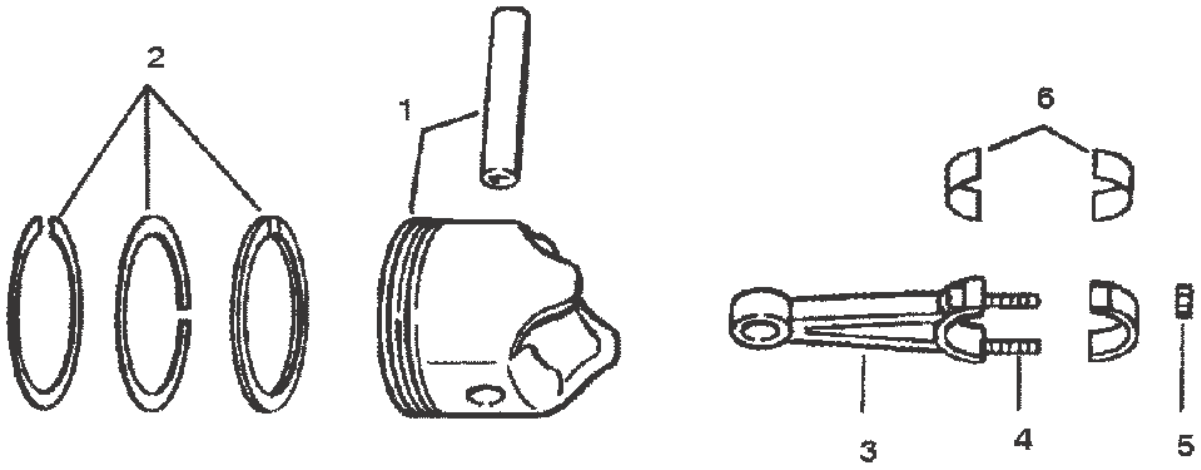
CRANKSHAFT AND FLYWHEEL

Ref #	Part Class	Part Number	Description	Comments	Qty	Note
1	0023	818465	BEARING SET 5 Pair	(STANDARD)	1	
1	0023	818466	BEARING SET 5 Pair	(.001 U.S.)	AR	[1]
1	0023	818467	BEARING SET 5 Pair	(.010 U.S.)	AR	[1]
1	0023	818468	BEARING SET 5 Pair	(.020 U.S.)	AR	[1]
2	0000	FI1100096	PIN Dowel (1/4 Diameter)	(1/4 IN. DIA.)	2	
3	0222	9520	FLYWHEEL		1	
4	0000	18643A5	COUPLING ASSEMBLY		1	
5	0022	74036	FITTING Grease	5.7L/LX ALPHA AND 5.7L BRAVO AND 350 MAGNUM ALPHA	1	
6	0000	18644	BUMPER Rubber	5.7L/LX ALPHA AND 5.7L BRAVO AND 350 MAGNUM ALPHA	3	
7	0010	14883	SCREW (.375-16 x 1.12)	5.7L/LX ALPHA AND 5.7L BRAVO AND 350 MAGNUM ALPHA	3	
8	0012	13510	WASHER	5.7L/LX ALPHA AND 5.7L BRAVO AND 350 MAGNUM ALPHA	3	
9	0000	18311A17	COUPLER ASSEMBLY Engine		1	
10	0022	49099	FITTING	5.7LX BRAVO	2	
11	0010	14883	SCREW (.375-16 x 1.12)		6	
12	0012	20572	WASHER (.390 x .750 x .093)		6	
13	0010	49845	SCREW (.437-20 x 1.00)		6	
14	0429	9521	CRANKSHAFT		1	
15	0028	34466	KEY		2	

PART NOTES:

[1] - AS REQUIRED

PISTONS AND CONNECTING RODS



37680

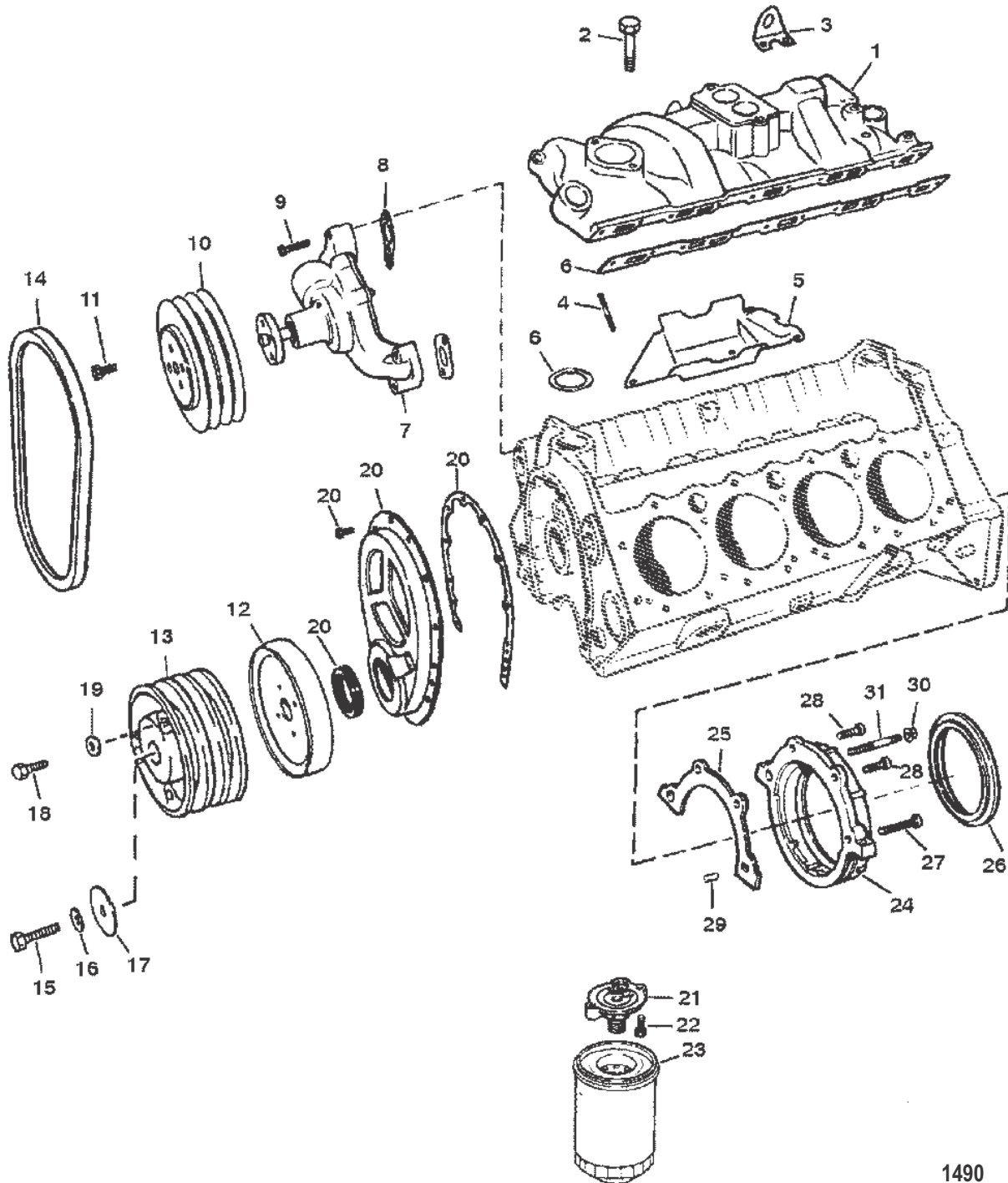
PISTONS AND CONNECTING RODS

Ref #	Part Class	Part Number	Description	Comments	Qty	Note
1	0735	850097	PISTON ASSEMBLY	(STANDARD)	8	
1	0735	850098	PISTON ASSEMBLY	(.030 O.S.)	AR	[1]
2	0039	17464	RING SET Piston (Standard) See Parts Bulletin 2001-2 For Proper Ring Selection		8	
2	0039	17465	RING Piston See Parts Bulletin 2001-2 For Proper Ring Selection	(.030 O.S.)	AR	[1]
3	0614	8164	CONNECTING ROD		8	
4	0010	85802	SCREW (.375-24 x Special)		16	
5	0011	37493	NUT (.375-24)		16	
6	0023	85701	BEARING	(PAIR - STANDARD)	8	
6	0023	85702	BEARING	(PAIR - .001 U.S.)	AR	[1]
6	0023	85703	BEARING	(PAIR - .002 U.S.)	AR	[1]
6	0023	85704	BEARING	(PAIR - .010 U.S.)	AR	[1]
6	0023	85705	BEARING	(PAIR - .020 U.S.)	AR	[1]

PART NOTES:

[1] - AS REQUIRED

INTAKE MANIFOLD AND FRONT COVER



1490

INTAKE MANIFOLD AND FRONT COVER

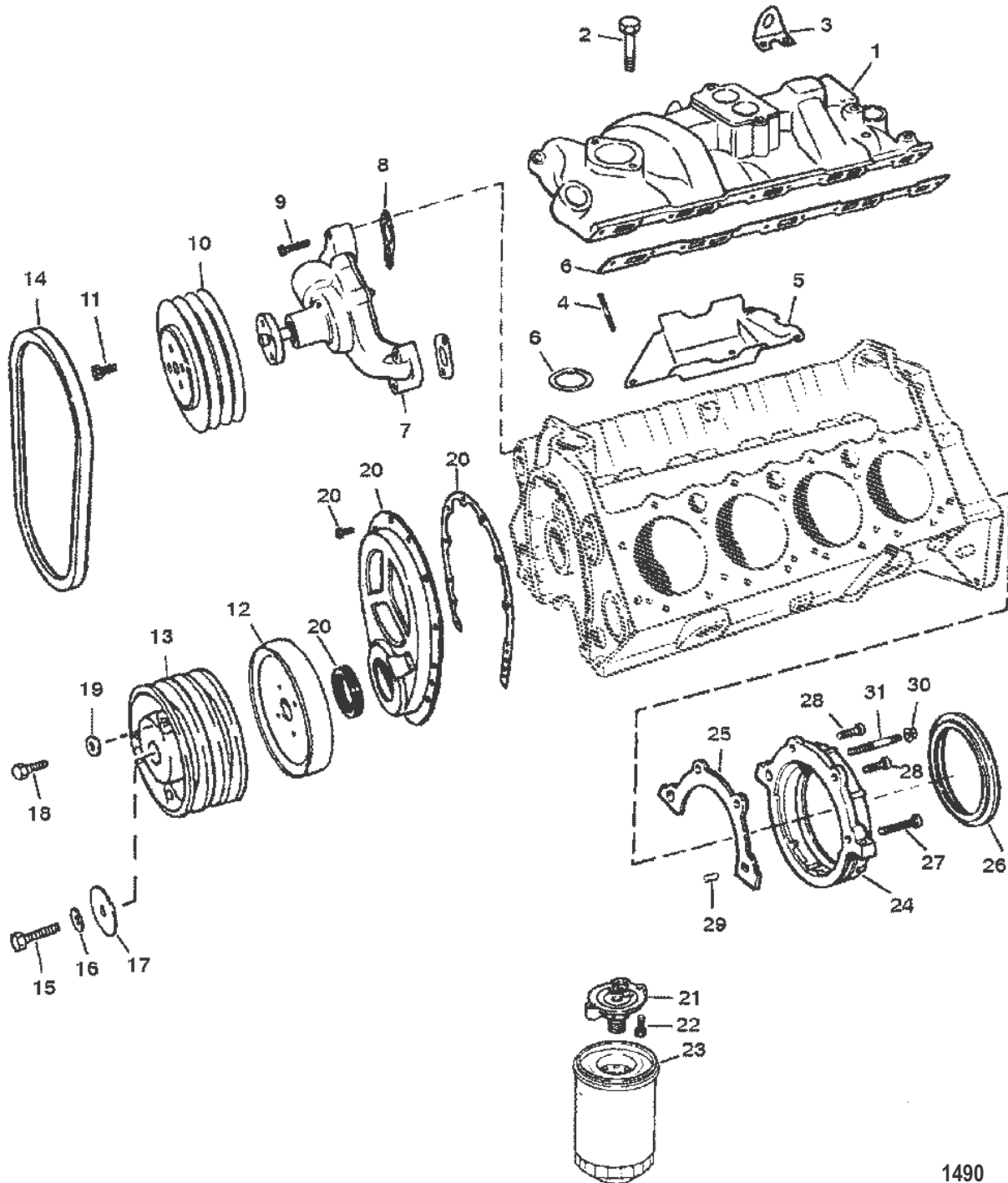
Ref #	Part Class	Part Number	Description	Comments	Qty	Note
1	0000	17619	MANIFOLD Intake	(2 BARREL)	1	
1	0000	17620	MANIFOLD Intake	(4 BARREL - HI-RISE)	1	
2	0010	11976	SCREW (.375-16 x 1.00)		9	
2	0010	11975	BOLT (3/8-16 x 1.25)		3	
3	0054	47512	LIFTING EYE		1	
4		NSS	NOT SOLD SEPARATE STUD (GM#3959544)		4	
5	0000	72647	GUARD		1	
6	0027	17145	GASKET SET	(Use RTV Silicone Sealant for end gasket - See Service Manual)	1	[1]
7	0000	811841	PUMP ASSEMBLY Water		1	
8	0027	34897	GASKET		2	[1]
9	0010	32132	SCREW (.375-16 x 1.750)		2	
9	0010	47688	SCREW (.375-16 x 2.750)		1	
9	0010	52200	SCREW (1.625 In.) (1-1/2 IN.)		1	
10	0000	19692T	PULLEY (7 In. Diameter)		1	
11	0010	47277	SCREW (.312-24 x .750)		4	
12	0000	809892	BALANCER Harmonic		1	
13	0000	90081A1	PULLEY		1	
14	0057	48120A1	V BELT (46 Inch)		1	
15	0010	32515	SCREW (.437-20 x 2.50)		1	
16	0013	39131	LOCKWASHER (.437)		1	
17	0012	35332	WASHER		1	
18	0010	53833	BOLT (.375-24 x 2.00)		3	
19	0012	34714	WASHER		3	
20	0000	835005	COVER ASSEMBLY Timing	SCREWS-GROMMETS- OIL SEAL AND GASKET ARE NOT SOLD SEPARATELY.	1	
21	0000	53338	VALVE ASSEMBLY Filter	WITHOUT REMOTE OIL FILTER	1	
22	0010	54786	SCREW (.312-18 x 1.250)	WITHOUT REMOTE OIL FILTER	2	
23	0000	14957	FILTER Oil	WITHOUT REMOTE OIL FILTER	1	[2]
24	0000	14239	RETAINER Oil Seal (REAR)		1	
25	0027	14241	GASKET		1	[1]
26	0026	14240	SEAL Oil (REAR)		1	[1]
27	0010	14243	BOLT (.250-20 x 1.750)		1	
28	0010	14242	BOLT (.250-20 x .875)		2	
29	0017	14263	PIN Dowel		1	
30	0011	816730	NUT (.250-20)		1	
31	0016	14827	STUD (.250-20 x 2.180)		1	
-	0027	806871A96	GASKET SET Overhaul		1	

PART NOTES:

[1] - COMPONENT OF OVERHAUL GASKET SET 806871A96.

INTAKE MANIFOLD AND FRONT COVER

INTAKE MANIFOLD AND FRONT COVER

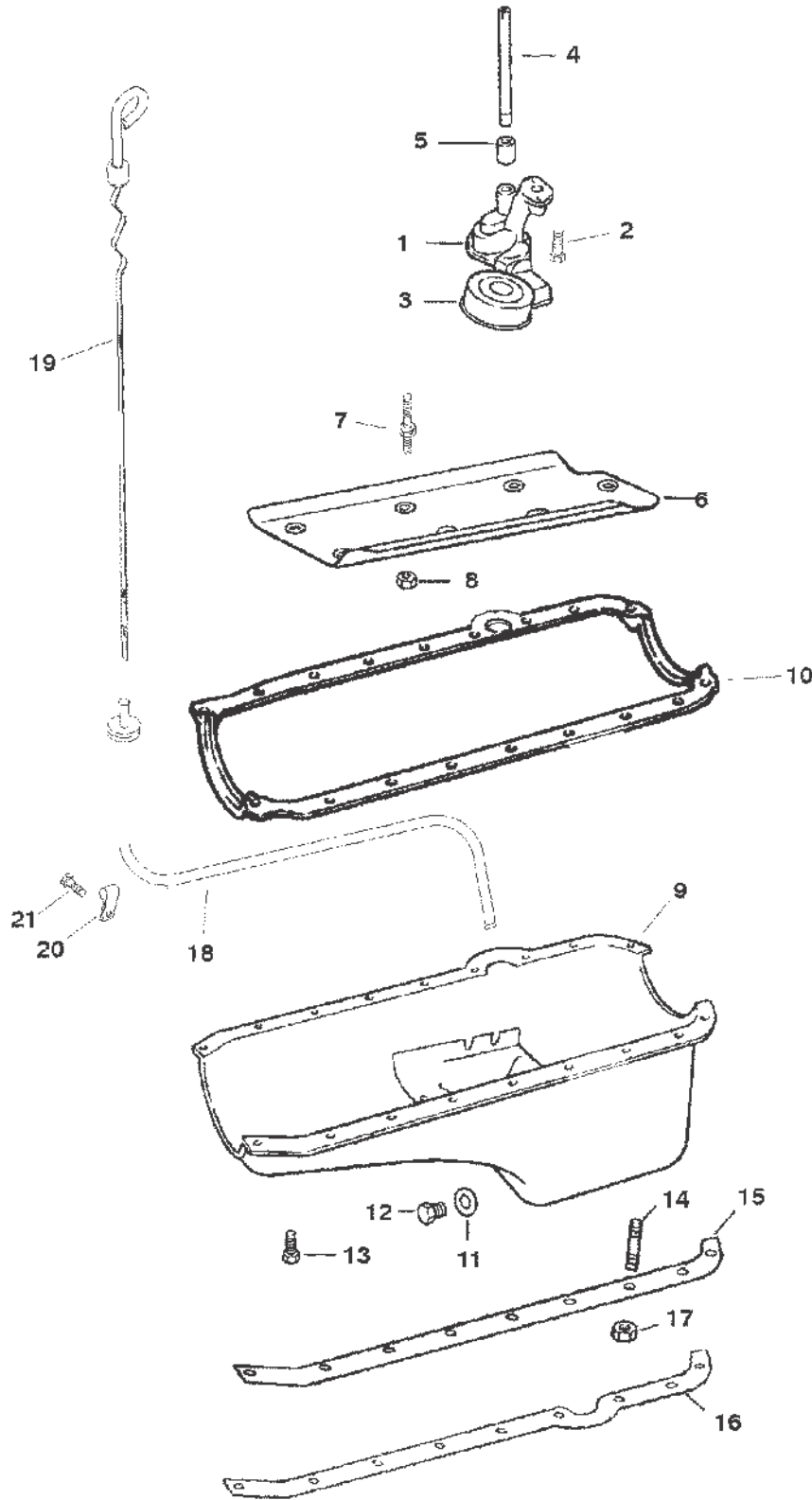


1490

INTAKE MANIFOLD AND FRONT COVER

- [2] - Alternate part numbers:
14957Service Part
802885QQS
802885TMPP

OIL PAN AND OIL PUMP



37681

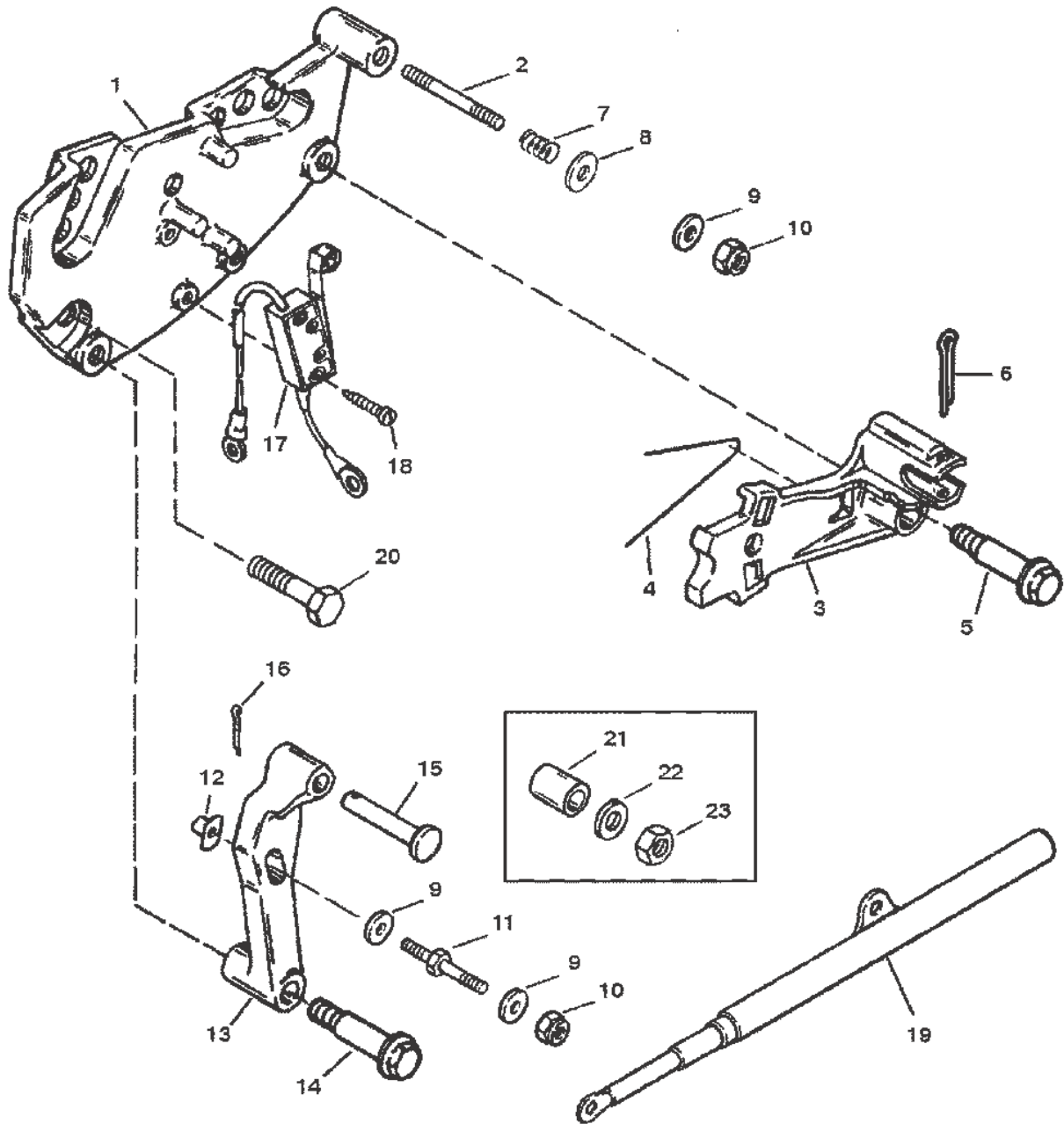
OIL PAN AND OIL PUMP

Ref #	Part Class	Part Number	Description	Comments	Qty	Note
1	0000	809907	PUMP ASSEMBLY Oil		1	
2	0010	17346	SCREW		1	
3	0000	809909	SCREEN Oil Pump Pick Up		1	
4	0000	36184	SHAFT		1	
5	0023	36183	RETAINER		1	
6	0000	98602	BAFFLE (CYLINDER BLOCK)		1	
7	0016	850090	STUD (.437-14/.375-16 x 3.360)		5	
8	0011	850091	NUT (.375-16)		5	
9	0000	809910	PAN Oil		1	
10	0027	138651	GASKET Oil Pan		1	[1]
11	0027	49955	GASKET Drain		1	[1]
12	0010	809911	SCREW Oil Drain (M12 x 1.75)		1	
13	0010	14070	SCREW (.250-20 x .625)		14	
14	0016	11989	STUD (.312-18 x 1.6718)		4	
15	0000	14257	REINFORCEMENT	(PORT)	1	
16	0000	14256	REINFORCEMENT	(STARBOARD)	1	
17	0011	11971	NUT (.312-18)		4	
18	0000	15296A2	TUBE		1	
19	0000	15297T	DIPSTICK		1	
20	0054	805625	CLIP Dipstick Tube		1	
21	0010	35366	SCREW		1	
-	0027	806871A96	GASKET SET Overhaul		1	

PART NOTES:

[1] - COMPONENT OF OVERHAUL GASKET SET 806871A96.

SHIFT BRACKET (ALPHA ENGINES)



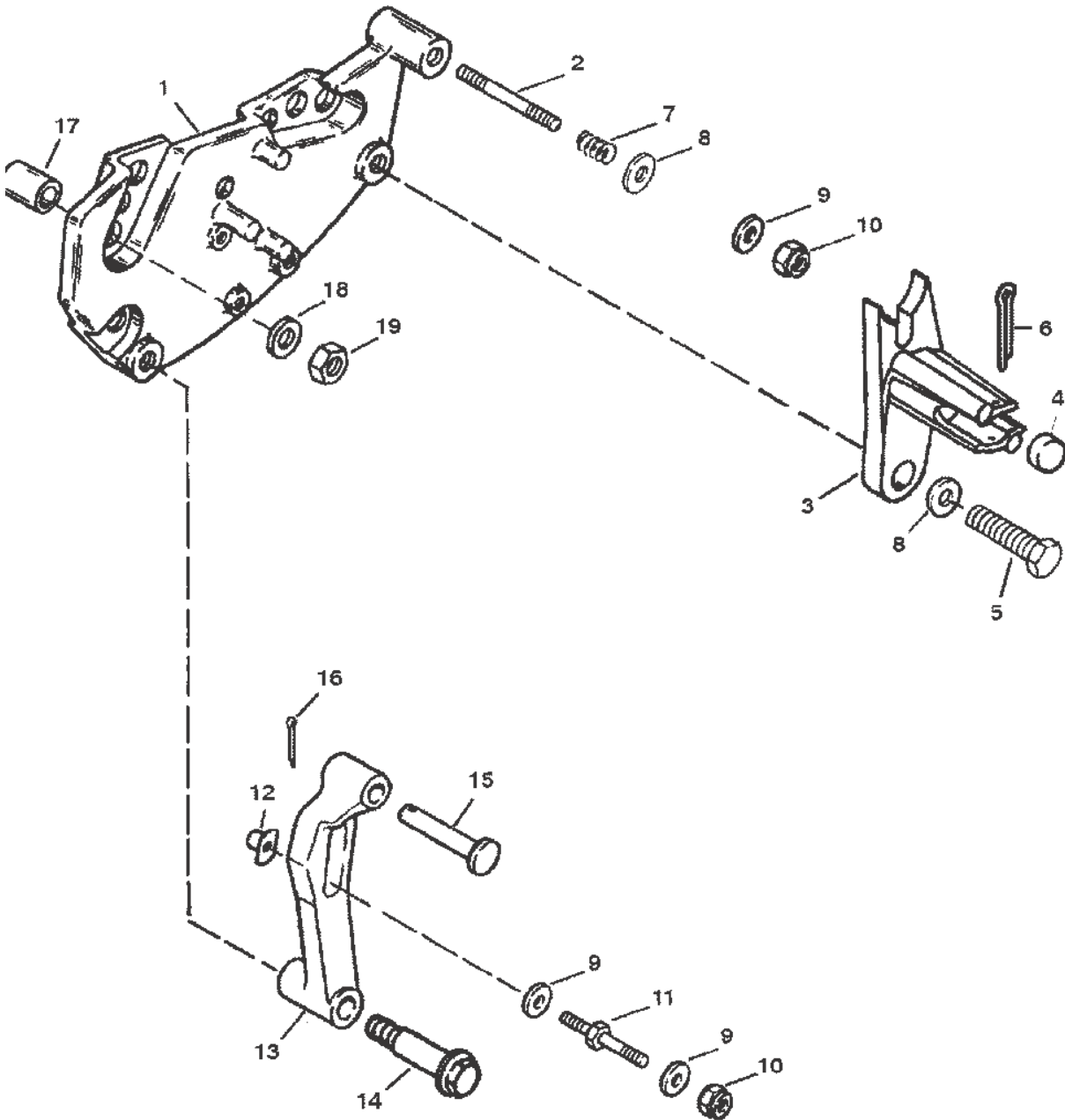
37732

SHIFT BRACKET (ALPHA ENGINES)

Ref #	Part Class	Part Number	Description	Comments	Qty	Note
1	0000	99237A10	BRACKET ASSEMBLY		1	
2	0016	8140021	STUD (.250 x 2.870)		1	
3	0000	13051A4	LEVER ASSEMBLY Actuating		1	
4	0024	45599	SPRING		1	
5	0010	13743	SCREW (.312-18 x 1.843) Shoulder		1	
6	0018	32857	COTTER PIN		1	
7	0024	98880	SPRING		1	
8	0012	56720	WASHER (.330 x .750 x .060) Stainless Steel		1	
9	0012	35462	WASHER (.2656 x .625 x .0625) Stainless Steel		3	
10	0011	13438	NUT (.250-28)		2	
11	0016	96112	STUD (.250-28 x 2.00) Throttle Cable Anchor		1	
12	0011	63341	TEE NUT		1	
13	0000	13898A3	LEVER ASSEMBLY Shift		1	
14	0010	13743	SCREW (.312-18 x 1.843) Shoulder		1	
15	0017	814001	PIN Clevis		1	
16	0018	21071	COTTER PIN		1	
17	0087	19752A6	SWITCH ASSEMBLY Cut Out		1	
18	0010	30902	SCREW (#6-32 x .750)		2	
19	0000	813995A1	GUIDE ASSEMBLY Spring		1	
20	0010	657461	SCREW AND LOCKWASHER (.250- 20 x .625)	USE WITH CAST IRON ELBOWS	3	
21	0023	806981	SPACER	USE WITH STAINLESS STEEL ELBOWS	3	
22	0012	35462	WASHER (.2656 x .625 x .0625) Stainless Steel	USE WITH STAINLESS STEEL ELBOWS	3	
23	0011	64015	NUT (.250-20)	USE WITH STAINLESS STEEL ELBOWS	3	

SHIFT BRACKET (ALPHA ENGINES)

SHIFT BRACKET (BRAVO ENGINES)



37733

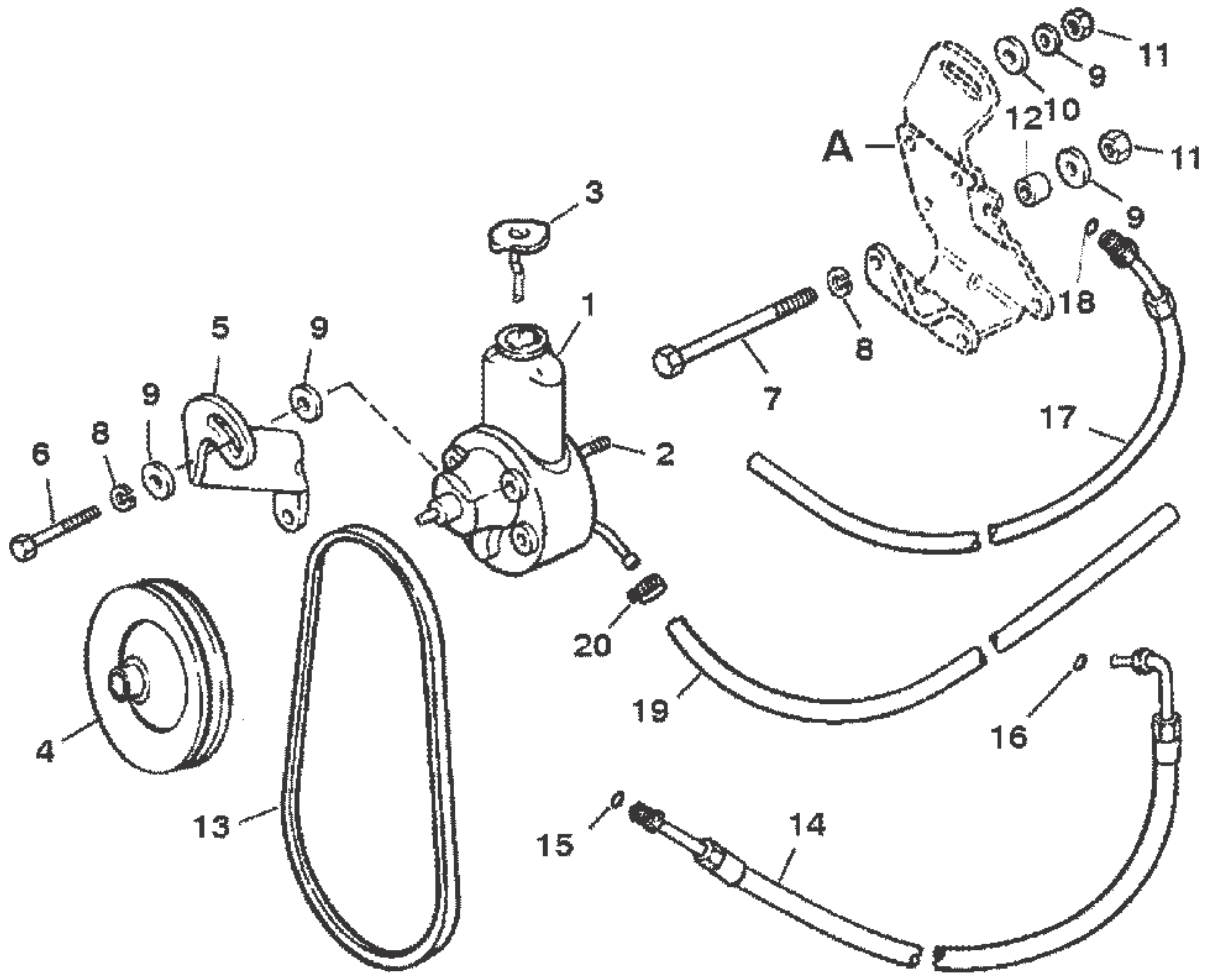
SHIFT BRACKET (BRAVO ENGINES)

SHIFT BRACKET (BRAVO ENGINES)

Ref #	Part Class	Part Number	Description	Comments	Qty	Note
1	0000	99237A10	BRACKET ASSEMBLY		1	
2	0016	987981	STUD (.250-20/.250-28 x 2.120)		1	
3	0000	123811	RETAINER		1	
4	0023	98828	SPACER		1	
5	0010	53167	SCREW (.312-18 x .880)		1	
6	0018	32857	COTTER PIN		1	
7	0024	98880	SPRING		1	
8	0012	56720	WASHER (.330 x .750 x .060) Stainless Steel		2	
9	0012	35462	WASHER (.2656 x .625 x .0625) Stainless Steel		5	
10	0011	13438	NUT (.250-28)		2	
11	0016	96112	STUD (.250-28 x 2.00) Throttle Cable Anchor		1	
12	0011	63341	TEE NUT		1	
13	0000	138981	LEVER		1	
14	0010	13743	SCREW (.312-18 x 1.843) Shoulder		1	
15	0017	68402	PIN (.250 x 1.13)		1	
16	0018	21071	COTTER PIN		1	
17	0023	806981	SPACER		3	
18	0012	35462	WASHER (.2656 x .625 x .0625) Stainless Steel		3	
19	0011	64015	NUT (.250-20)		3	

SHIFT BRACKET (BRAVO ENGINES)

POWER STEERING COMPONENTS

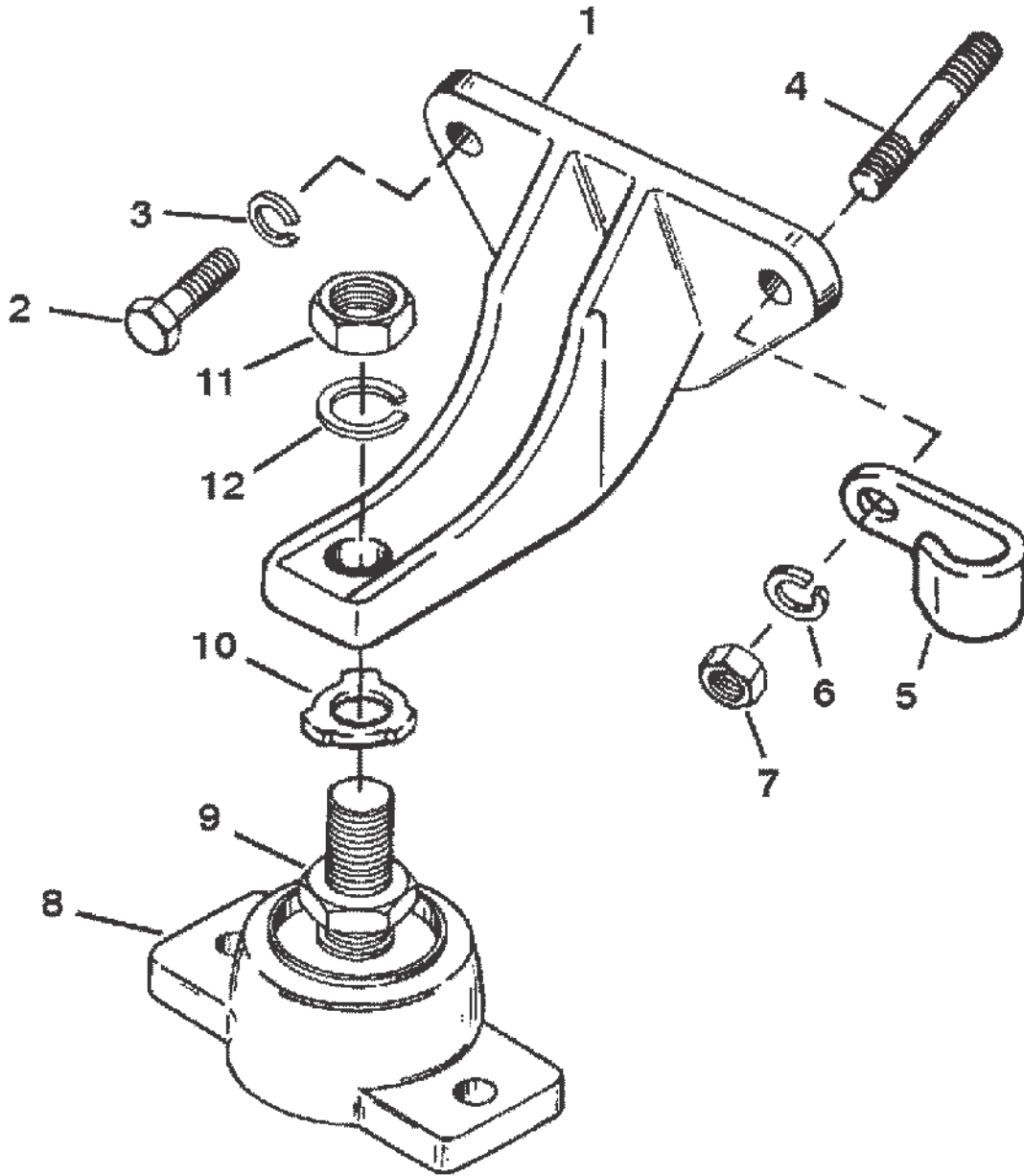


37734

POWER STEERING COMPONENTS

Ref #	Part Class	Part Number	Description	Comments	Qty	Note
1	0000	16792A1	PUMP ASSEMBLY		1	
2	0016	41877	STUD (M10)		2	
3	0036	95805	CAP		1	
4	0000	73873A1	PULLEY		1	
5	0000	15082T	BRACE		1	
6	0010	40001192	SCREW (M10 x 25)		1	
7	0010	40001188	SCREW (M10 x 20)		1	
8	0013	400248	LOCKWASHER (M10)		2	
9	0023	72057	SPACER (1.00 Outside Diameter x .125 x Thick)		4	
10	0012	28105	WASHER		1	
11	0011	90517	NUT (M10)		2	
12	0023	45353	SPACER		1	
13	0057	816295T	V BELT		1	
14	0032	80622216	HOSE	(FITTINGS ON BOTH ENDS)	1	
14	0032	80622236	PRESSURE HOSE	(JACKSHAFT MODELS)	1	
15	0025	89879	O-RING (.301 x .064)		1	
16	0025	806232	O-RING (.239 x .064)		1	
17	0032	80622142	HOSE ASSEMBLY (84.00 Inches Bulk) Return	(FITTING ON ONE END)	1	
17	0032	80622145	HOSE	(JACKSHAFT MODELS)	1	
18	0025	89879	O-RING (.301 x .064)		1	
19	0032	5251914	HOSE (53.00 Inches Bulk) Pump to Oil Cooler		1	
20	0054	815504105	CLAMP Worm Gear (11-18 mm)		3	
A	0000	15083T	BRACKET ALTERNATOR	(See Starter Motor and Alternator Section)	1	

ENGINE MOUNTING

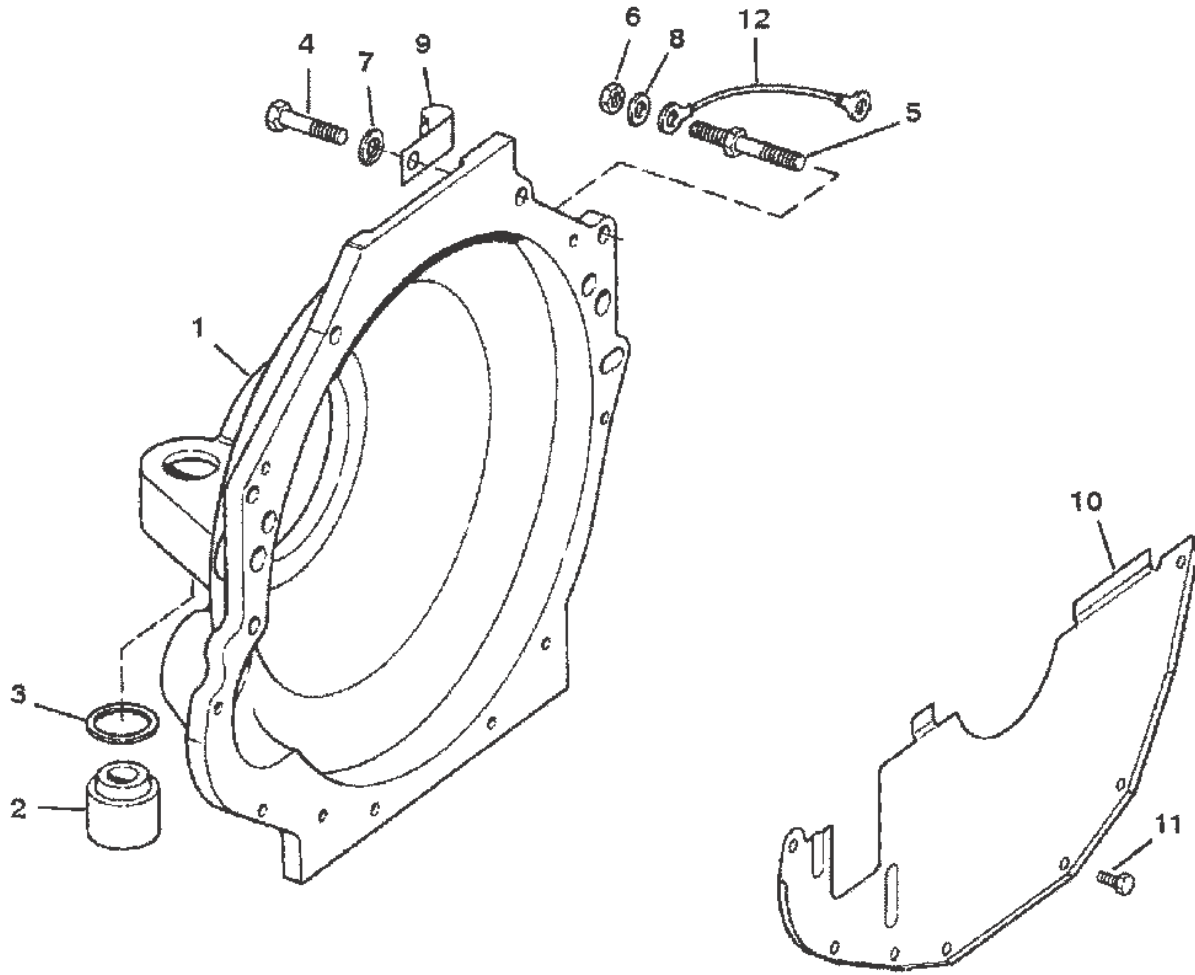


37735

ENGINE MOUNTING

Ref #	Part Class	Part Number	Description	Comments	Qty	Note
1	0000	79550A1	BRACKET (FRONT)		2	
2	0010	68101	SCREW (.375-16 x 1.375)	PORT	3	
3	0013	35048	LOCKWASHER (.375)	PORT	3	
2	0010	68101	SCREW (.375-16 x 1.375)	STARBOARD	2	
3	0013	35048	LOCKWASHER (.375)	STARBOARD	2	
4	0016	64066	STUD (.375-16 x 2.750) Special	STARBOARD	1	
5	0054	78945	J CLAMP Harness Support	STARBOARD	1	
6	0013	35048	LOCKWASHER (.375)	STARBOARD	1	
7	0011	32219	NUT (.375-16)	STARBOARD	1	
8	0000	66284A2	BASE ASSEMBLY		2	
9	0011	20739	NUT (.750-16)		2	
10	0014	12657	TAB WASHER		2	
11	0011	20739	NUT (.750-16)		2	
12	0013	68102	LOCKWASHER (.750)		2	

FLYWHEEL HOUSING

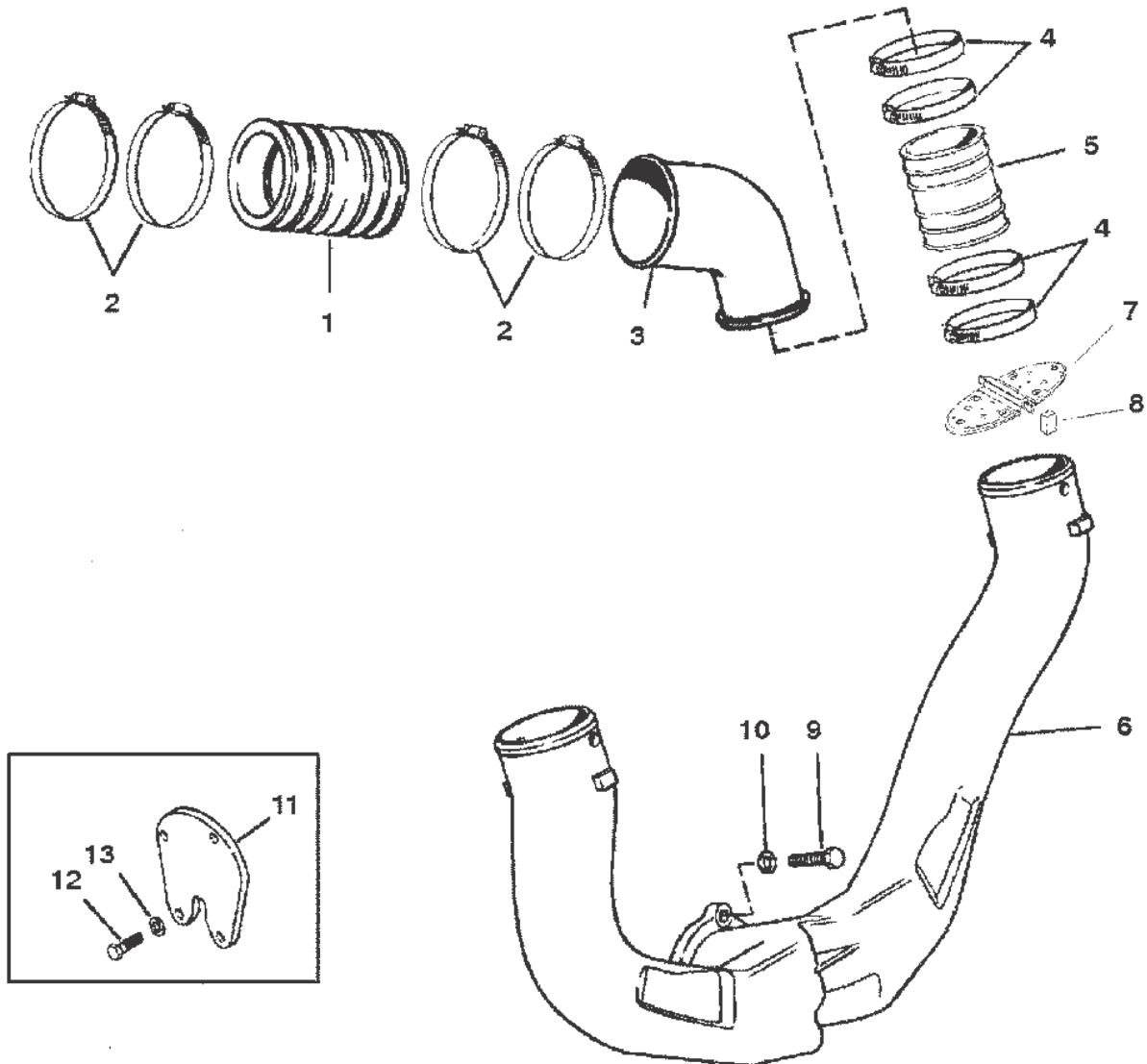


37736

FLYWHEEL HOUSING

Ref #	Part Class	Part Number	Description	Comments	Qty	Note
1	0000	12675A7	HOUSING ASSEMBLY Flywheel		1	
2	0000	99297A1	MOUNT ASSEMBLY Rubber		2	
3	0023	99322	SPACER		2	
4	0010	37612	SCREW (.375-16 x 1.250)		4	
4	0010	358701	SCREW (.375-16 x 2.00)		2	
5	0016	64066	STUD (.375-16 x 2.750) Special		2	
6	0011	32219	NUT (.375-16)		2	
7	0013	35048	LOCKWASHER (.375)		7	
8	0012	20572	WASHER (.390 x .750 x .093)		1	
9	0054	78945	J CLAMP Harness Support		1	
9	0054	92850	CLAMP		2	
10	0000	818719A1	COVER		1	
11	0010	32773	SCREW (.250-20 x .875)		7	
12	0084	62826A6	CABLE ASSEMBLY Ground (13.00 Inches) Black		1	

EXHAUST SYSTEM

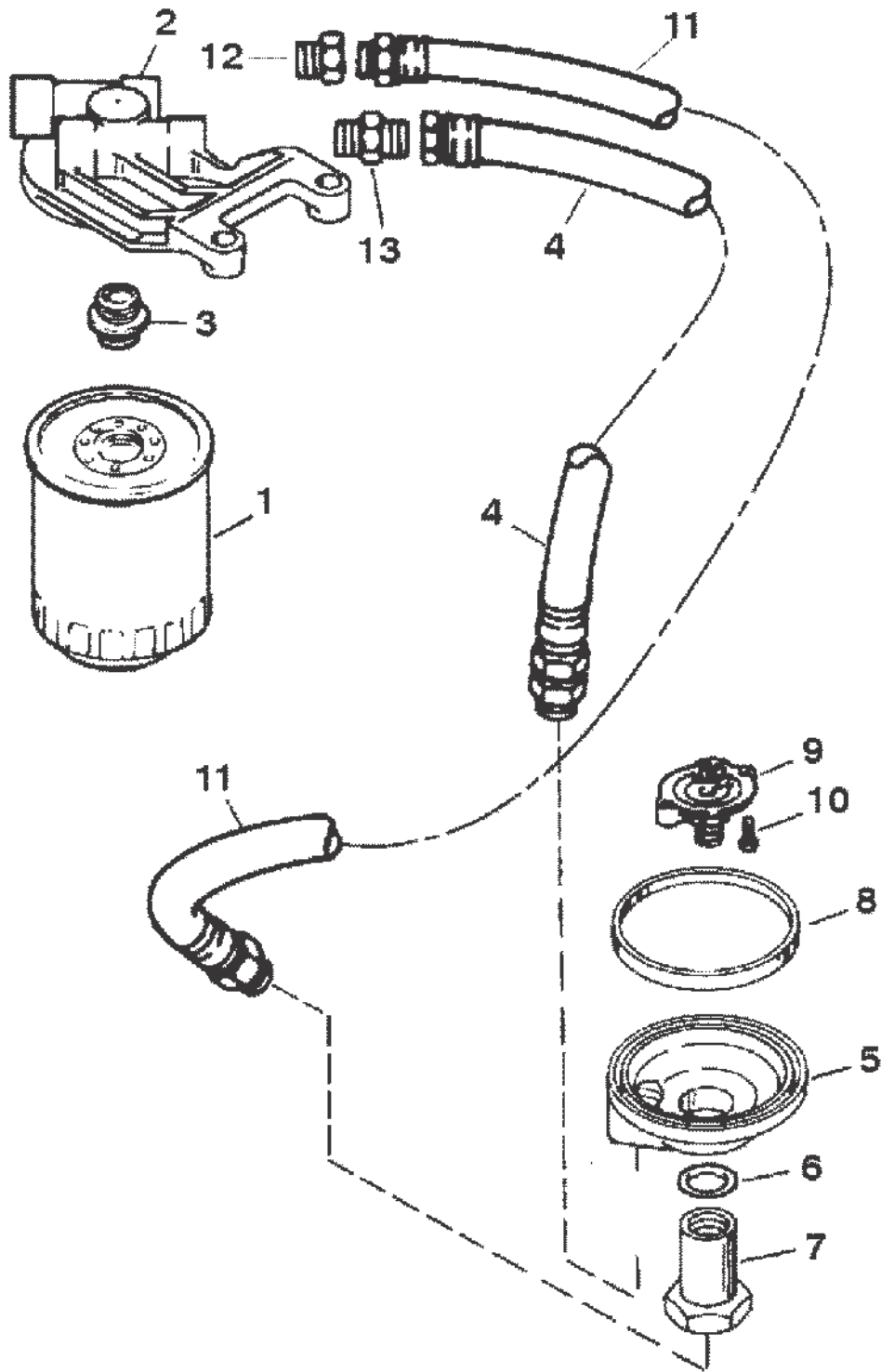


37690

EXHAUST SYSTEM

Ref #	Part Class	Part Number	Description	Comments	Qty	Note
1	0032	44348T	TUBE	THRU PROP EXHAUST	2	
2	0054	815504372	CLAMP Worm Gear	THRU PROP EXHAUST	8	
3	0000	11086T	ELBOW	(PORT) THRU PROP EXHAUST	1	
3	0000	14343T	ELBOW	(STANDARD) THRU PROP EXHAUST	1	
4	0054	815504372	CLAMP Worm Gear	THRU PROP EXHAUST	8	
5	0032	14358T	TUBE	THRU PROP EXHAUST	2	
6	0000	807130A4	PIPE	THRU PROP EXHAUST	1	
7	0000	807166A1	SHUTTER ASSEMBLY Water	THRU PROP EXHAUST	2	
8	0025	807167	GROMMET	THRU PROP EXHAUST	4	
9	0010	58640	SCREW (.375-16 x 1.25)	THRU PROP EXHAUST	4	
10	0013	41471	LOCKWASHER (.375)	THRU PROP EXHAUST	4	
11	0000	97350T1	PLATE	THRU TRANSOM EXHAUST	1	
12	0010	98794	SCREW (.375-16 x 1.00)	THRU TRANSOM EXHAUST	4	
13	0013	41471	LOCKWASHER (.375)	THRU TRANSOM EXHAUST	4	

OIL FILTER AND ADAPTOR



37737

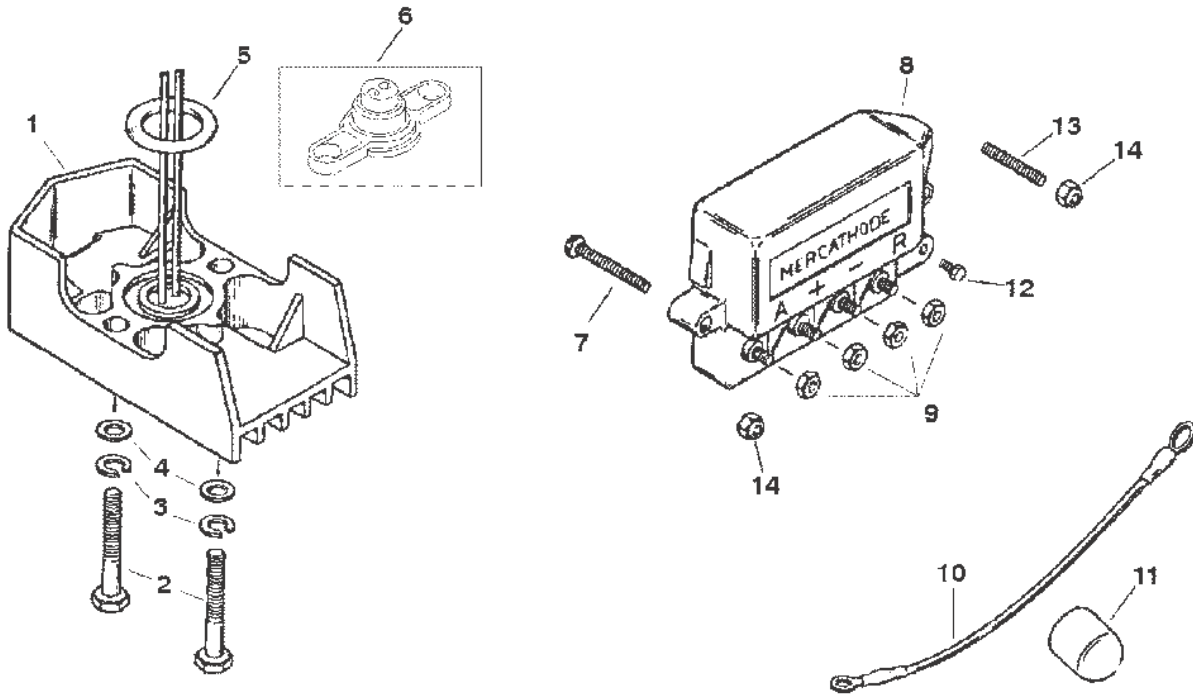
OIL FILTER AND ADAPTOR

Ref #	Part Class	Part Number	Description	Comments	Qty	Note
1	0000	14957	FILTER Oil		1	[1]
2	0000	814420A5	BRACKET	(USE WITH CAST IRON ELBOWS)	1	
2	0000	817403A4	BRACKET ASSEMBLY	(USE WITH STAINLESS STEEL ELBOWS)	1	
3	0022	814822	FITTING		1	
4	0032	8061785	HOSE		1	
5	0000	818400A1	ADAPTER		1	
6	0026	42077	SEAL		1	[2]
7	0022	806121	FITTING		1	
8	0027	91892	GASKET		1	[2]
9	0000	53338	VALVE ASSEMBLY Filter		1	
10	0010	54786	SCREW (.312-18 x 1.250)		2	
11	0032	8061265	HOSE Oil		1	
12	0022	805563	CONNECTOR (.500 Inch NPTF To .500 Inch Inverted Flare)		1	
13	0022	806186	FITTING		1	
-	0027	806871A96	GASKET SET Overhaul		1	

PART NOTES:

- [1] - Alternate part numbers:
14957 Service Part
802885QQS
802885TMPP
- [2] - COMPONENT OF OVERHAUL GASKET SET 806871A96.

MERCATHODE COMPONENTS

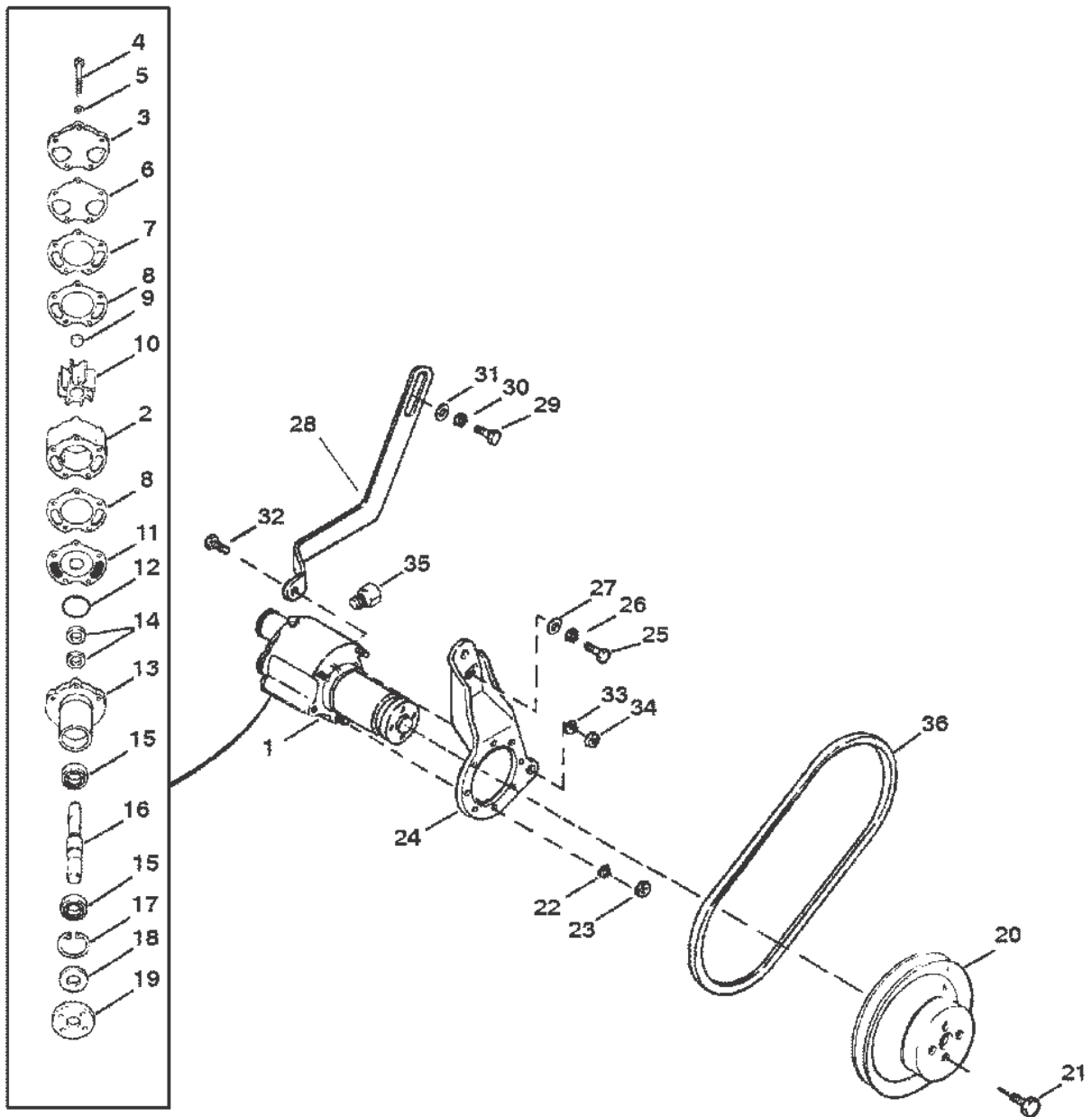


37738

MERCATHODE COMPONENTS

Ref #	Part Class	Part Number	Description	Comments	Qty	Note
1	0000	98869A11	ELECTRODE ASSEMBLY		1	
2	0010	69067	SCREW (.250-20 x 1.375)		2	
3	0013	26992	LOCKWASHER (.250) Stainless Steel		2	
4	0012	29245	WASHER (.281 x .500 x .060) Stainless Steel		2	
5	0025	88388	O-RING	(DESIGN I)	1	
6	0025	805294	GROMMET	(DESIGN II)	1	
7	0010	72202	SCREW (#10-32 x 1.25)		1	
7	0010	805565	SCREW (#10-32 x .750)		1	
8	0000	42600A3	CONTROLLER ASSEMBLY		1	
9	0011	68219	NUT (#10-32) Stainless Steel		4	
10	0084	88543A3	CABLE ASSEMBLY		1	
11	0000	44574	CAP		2	
12	0010	62568	SCREW (#10-16 x .375)		1	
13	0016	805459	STUD Mercathode Mounting		1	
14	0011	46438	NUT (#10-32)		2	

SEA WATER PUMP ASSEMBLY (BRAVO ENGINES)



37739

SEA WATER PUMP ASSEMBLY (BRAVO ENGINES)

Ref #	Part Class	Part Number	Description	Comments	Qty	Note
1	0046	72774A50	PUMP ASSEMBLY Sea Water - Complete		1	
2	0046	72774A40	BODY ASSEMBLY Sea Water - Complete		1	
3	0000	87631A4	COVER KIT		1	
4	0010	73275	SCREW (.312-18 x 2.88)		2	
4	0010	99347	SCREW (.312-18 x 3.75)		3	
5	0012	20084	WASHER (.328 x .562 x .062)		5	
6	0027	8052151	GASKET		1	
7	0000	94916	WEAR PLATE		1	
8	0027	94914	GASKET		2	
9	0019	59504	PLUG		1	
10	0047	593621	IMPELLER		1	
11	0000	94576	WEAR PLATE		1	
12	0025	94288	QUAD RING		1	
13	0046	94913A2	HOUSING ASSEMBLY Water Pump		1	
14	0026	90562	SEAL (1.254 x .312)		2	
15	0030	72961	BEARING Ball		2	
16	0000	59501A1	SHAFT		1	
17	0053	23720	RING Retaining		1	
18	0026	72785	SEAL		1	
19	0000	47530	HUB		1	
20	0000	52822T	PULLEY		1	
21	0010	47277	SCREW (.312-24 x .750)		4	
22	0013	39107	LOCKWASHER (.312-24)		3	
23	0011	21908	NUT (.312-18) Cad Plated		3	
24	0000	89535T1	BRACKET		1	
25	0010	34353	SCREW (.375-16 x 1.00)		2	
26	0013	35048	LOCKWASHER (.375)		2	
27	0012	34714	WASHER		1	
28	0000	896091	BRACE		1	
29	0010	34353	SCREW (.375-16 x 1.00)		1	
30	0013	35048	LOCKWASHER (.375)		1	
31	0012	34714	WASHER		1	
32	0010	35786	SCREW (.375-24 x 1.00)		1	
33	0013	35048	LOCKWASHER (.375)		1	
34	0011	46335	NUT (.375-24)		1	
35	0022	328021	PLUG Pipe (.125-27)		1	
36	0057	13457T	BELT		1	

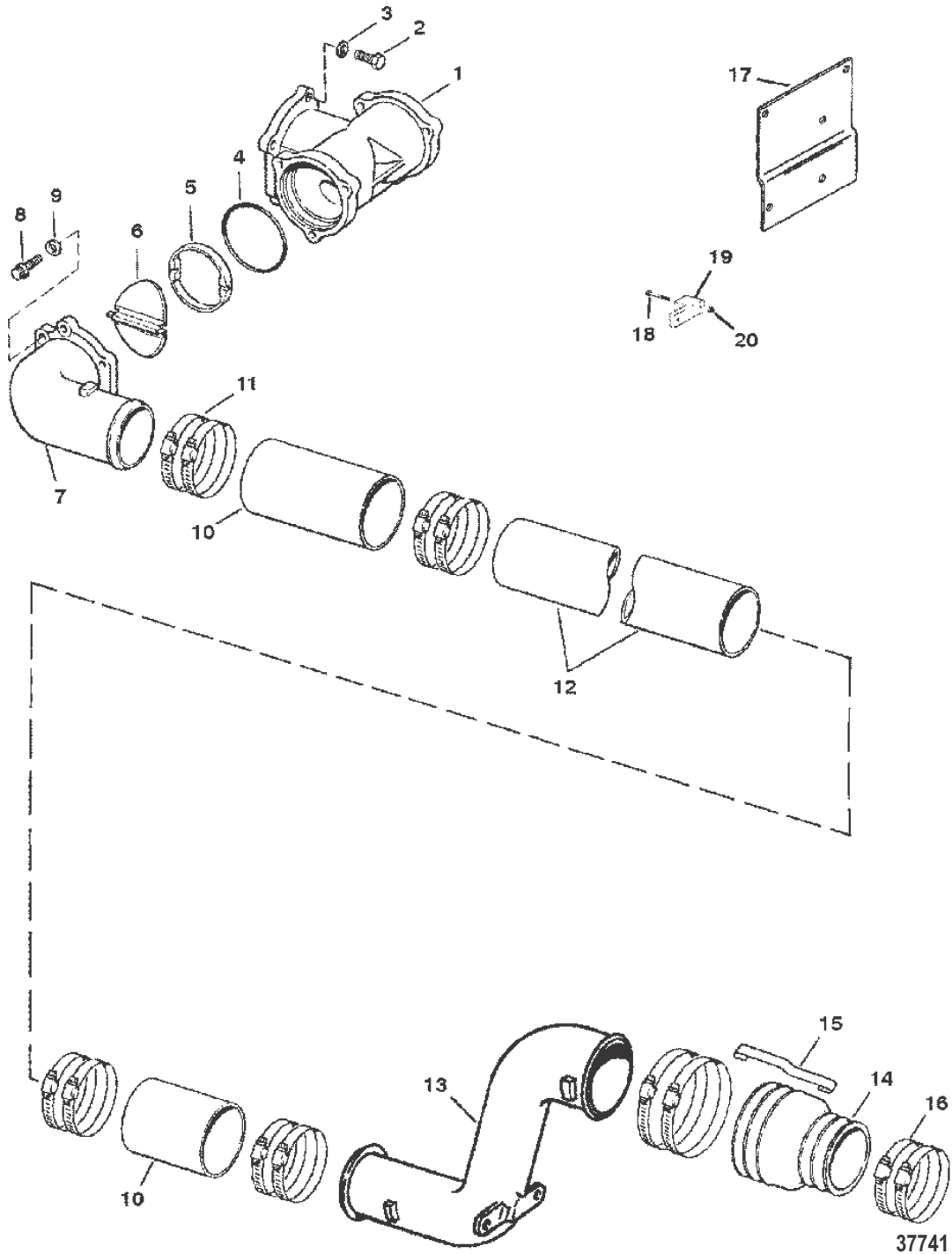
SEA WATER PUMP ASSEMBLY (BRAVO ENGINES)

SEA WATER PUMP ASS'Y (CLOSED COOLING SYS AND JACKSHAFT

Ref #	Part Class	Part Number	Description	Comments	Qty	Note
1	0046	72774A32	PUMP ASSEMBLY Sea Water - Complete		1	
2	0046	72774A40	BODY ASSEMBLY Sea Water - Complete		1	
3	0000	87631A4	COVER KIT		1	
4	0010	73275	SCREW (.312-18 x 2.88)		2	
4	0010	52743	SCREW (.312-18 x 3.750)		3	
5	0012	20084	WASHER (.328 x .562 x .062)		5	
6	0027	8052151	GASKET		1	
7	0000	94916	WEAR PLATE		1	
8	0027	94914	GASKET		2	
9	0019	59504	PLUG		1	
10	0047	593621	IMPELLER		1	
11	0000	94576	WEAR PLATE		1	
12	0025	94288	QUAD RING		1	
13	0046	94913A1	HOUSING ASSEMBLY Water Pump		1	
14	0026	90562	SEAL (1.254 x .312)		2	
15	0030	72961	BEARING Ball		2	
16	0000	59501A1	SHAFT		1	
17	0053	23720	RING Retaining		1	
18	0026	72785	SEAL		1	
19	0000	47530	HUB		1	
20	0000	73798A1	PULLEY		1	
21	0010	47277	SCREW (.312-24 x .750)		4	
22	0013	39107	LOCKWASHER (.312-24)		4	
23	0013	39107	LOCKWASHER (.312-24)		3	
24	0011	21908	NUT (.312-18) Cad Plated		3	
25	0000	89535T	BRACKET		1	
26	0010	34353	SCREW (.375-16 x 1.00)		2	
27	0013	35048	LOCKWASHER (.375)		2	
28	0012	34714	WASHER		1	
29	0000	89609	BRACE		1	
30	0010	26487	SCREW (.375-16 x 1.12)		1	
31	0013	35048	LOCKWASHER (.375)		1	
32	0012	34714	WASHER		1	
33	0010	35786	SCREW (.375-24 x 1.00)		1	
34	0013	35048	LOCKWASHER (.375)		1	
35	0011	46335	NUT (.375-24)		1	
36	0022	328021	PLUG Pipe (.125-27)	(FOr Water Pump Body)	1	
37	0057	74271T	V BELT (35.125 ln)		1	
38	0032	88795	HOSE		1	
39	0054	815504220	CLAMP Worm Gear		2	

SEA WATER PUMP ASS'Y (CLOSED COOLING SYS AND JACKSHAFT MDLS)

DRIVESHAFT EXTENSION COMPONENTS (JACKSHAFT MODELS)

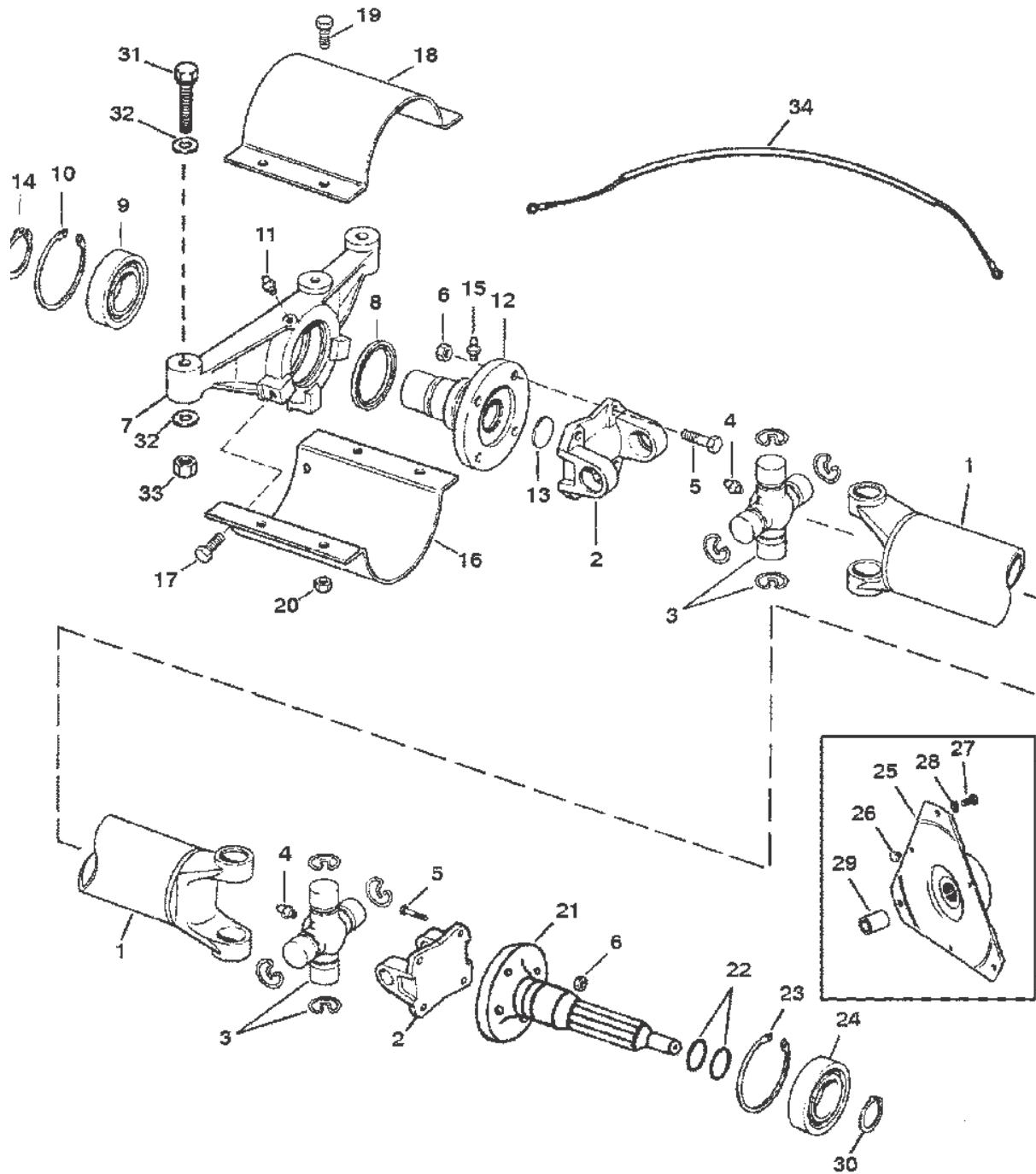


DRIVESHAFT EXTENSION COMPONENTS (JACKSHAFT MODELS)

DRIVESHAFT EXTENSION COMPONENTS (JACKSHAFT MODELS)

Ref #	Part Class	Part Number	Description	Comments	Qty	Note
1	0000	98626A3	SEPARATOR		1	
2	0010	37612	SCREW (.375-16 x 1.250)		4	
3	0013	35048	LOCKWASHER (.375)		4	
4	0025	35029	O-RING (78.97 X 3.53 MM)		2	
5	0000	60931	RETAINER		2	
6	0000	60930	SHUTTER Water		2	
7	0000	94018A1	ELBOW ASSEMBLY Exhaust		2	
8	0010	58640	SCREW (.375-16 x 1.25)		6	
9	0013	58643	LOCKWASHER (.375)		6	
10	0032	486594	HOSE		4	
11	0054	815504256	CLAMP Worm Gear		20	
12	0000	94608A1	TUBE ASSEMBLY Exhaust		2	
13	0000	44390T	ELBOW		2	
14	0000	78458A1	TUBE		2	
15	0000	95740	STRAP Ground		2	
16	0054	815504372	CLAMP Worm Gear		4	
17	0000	41063A1	BRACKET ASSEMBLY		1	
18	0010	24231	SCREW (#10-32 x .250)		1	
19	0011	46438	NUT (#10-32)		1	
20	0086	45915	TERMINAL BLOCK		1	

DRIVESHAFT EXTENSION COMPONENTS (JACKSHAFT MODELS)



37742

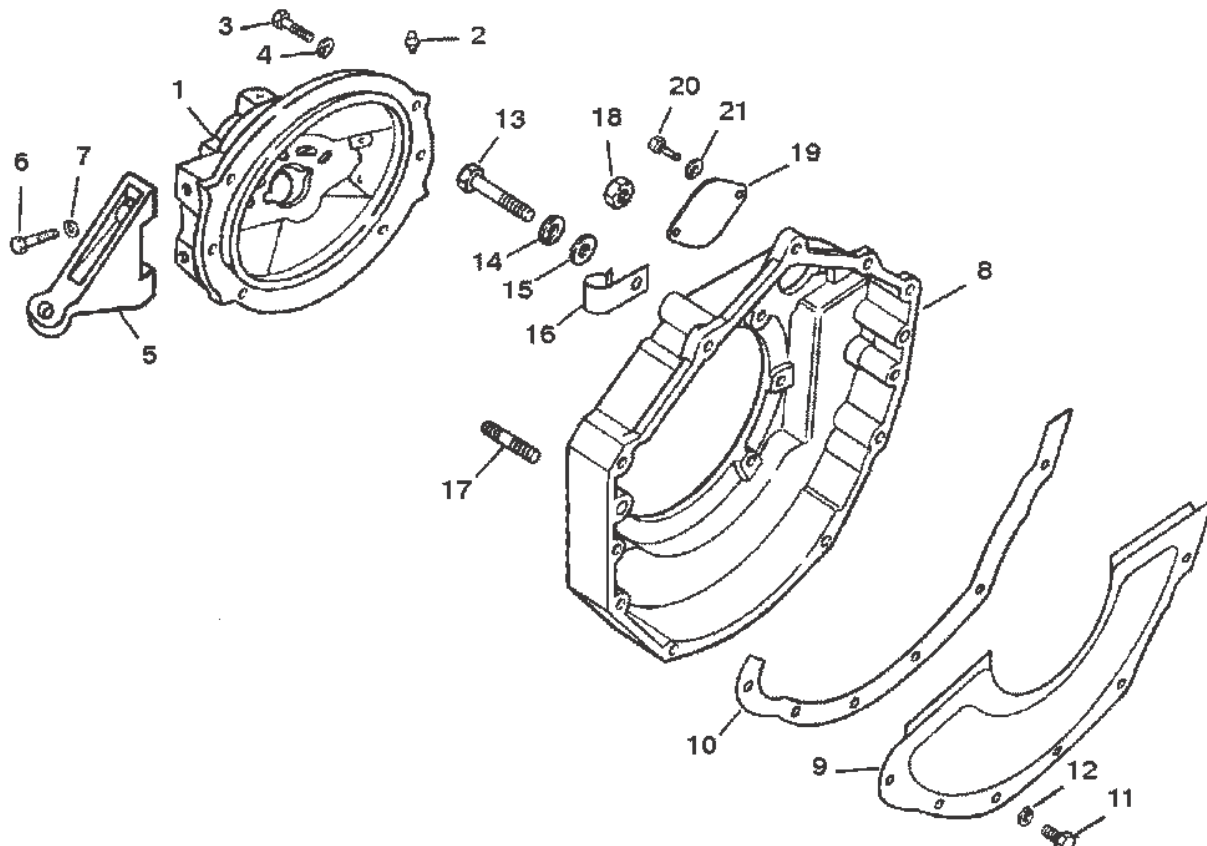
DRIVESHAFT EXTENSION COMPONENTS (JACKSHAFT MODELS)

DRIVESHAFT EXTENSION COMPONENTS (JACKSHAFT MODELS)

Ref #	Part Class	Part Number	Description	Comments	Qty	Note
1	0045	94819A3	DRIVESHAFT ASSEMBLY		1	
2	0000	52504T	FLANGE Yoke		2	
3	0000	61221	CROSS AND BEARING With Clips		2	
4	0022	74036	FITTING Grease		2	
5	0010	805159	SCREW (.437-20 x 1.500)		8	
6	0011	34933	NUT (.437-20) Stainless Steel		8	
7	0000	42304A2	SUPPORT ASSEMBLY		1	
8	0026	93924	SEAL		1	
9	0030	93944A1	BEARING		1	
10	0053	93914	RING Retaining		1	
11	0022	74036	FITTING Grease		1	
12	0000	93908A1	SHAFT ASSEMBLY	(INPUT)	1	
13	0019	93921	EXPANSION PLUG		1	
14	0053	93915	RING Retaining		1	
15	0022	74036	FITTING Grease		1	
16	0000	93918A1	SHIELD Lower		2	
17	0010	76926	SCREW (.375-16 x .875)		6	
18	0000	93919A1	SHIELD Upper		2	
19	0010	96995	SCREW (.375-16 x .880)		8	
20	0011	68411	NUT (.375-16)		8	
21	0000	93906A2	SHAFT	(OUTPUT)	1	
22	0025	25439	O-RING (.862 x .103)		2	
23	0053	94104	RING Retaining		1	
24	0030	62780A1	BEARING Ball		1	
25	0000	18643A8	COUPLING ASSEMBLY		1	
26	0000	18644	BUMPER Rubber		3	
27	0010	14883	SCREW (.375-16 x 1.12)		3	
28	0012	13510	WASHER		3	
29	0023	49126	BUSHING		1	
30	0053	94103	RING		1	
31	0010	57053	SCREW (.500-20 x 4.500)		2	
32	0012	42307	WASHER (SPHERICAL)		4	
33	0011	28040	NUT (.500-20)		2	
34	0084	41575A1	HARNES ASSEMBLY		1	

DRIVESHAFT EXTENSION COMPONENTS (JACKSHAFT MODELS)

DRIVESHAFT EXTENSION COMPONENTS (JACKSHAFT MODELS)

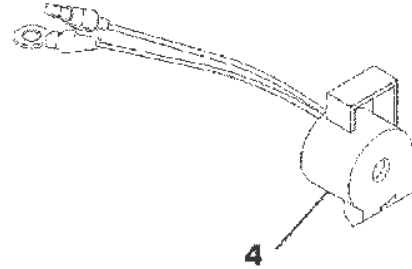
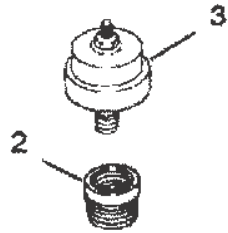
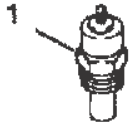


37743

DRIVESHAFT EXTENSION COMPONENTS (JACKSHAFT MODELS)

Ref #	Part Class	Part Number	Description	Comments	Qty	Note
1	0000	93911A4	HOUSING ASSEMBLY Shaft Extension Support		1	
2	0022	74036	FITTING Grease		1	
3	0010	47651	SCREW (.437-14 x 1.50)		6	
4	0013	32993	LOCKWASHER (.437)		6	
5	0000	93923A1	MOUNT ASSEMBLY		2	
6	0010	47651	SCREW (.437-14 x 1.50)		4	
7	0013	32993	LOCKWASHER (.437)		4	
8	0000	814309A1	HOUSING ASSEMBLY		1	
9	0000	818718A3	COVER KIT		1	
10	0027	86015	GASKET		1	
11	0010	98253	SCREW (.250-20 x .500)		7	
12	0013	26992	LOCKWASHER (.250) Stainless Steel		7	
13	0010	37612	SCREW (.375-16 x 1.250)		2	
13	0010	47688	SCREW (.375-16 x 2.750)		2	
14	0013	35048	LOCKWASHER (.375)		6	
15	0012	20572	WASHER (.390 x .750 x .093) (FOR SLOT)		1	
16	0054	92850	CLAMP		1	
17	0016	64066	STUD (.375-16 x 2.750) Special		1	
18	0011	32219	NUT (.375-16)		1	
19	0000	939201	PLATE		1	
20	0010	92913	SCREW (.437-14 x .750)		2	
21	0013	32993	LOCKWASHER (.437)		2	

AUDIO WARNING SYSTEM



37744

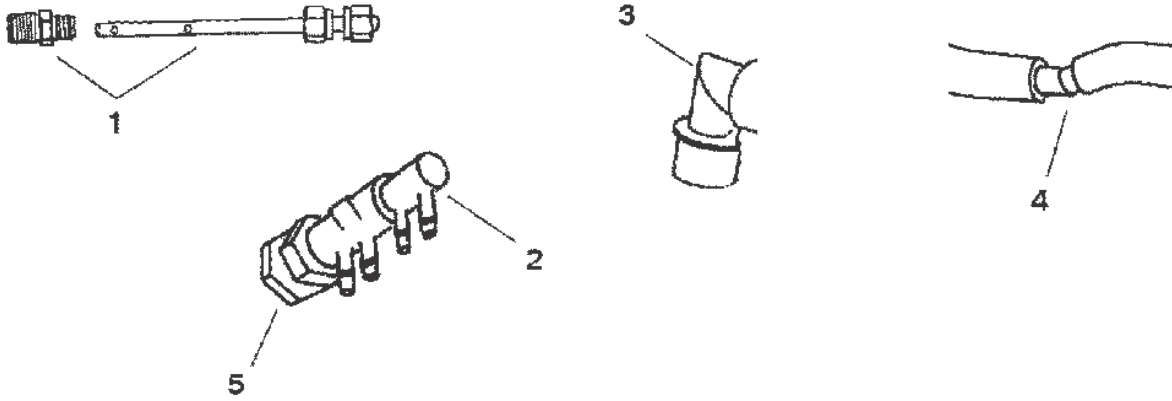
Cat.# 90-81659696

AUDIO WARNING SYSTEM

Ref #	Part Class	Part Number	Description	Comments	Qty	Note
1	0087	806951	SWITCH Water Temperature		1	
2	0022	805059	FITTING		1	
3	0087	805605A1	SWITCH ASSEMBLY		1	
4	0000	816492A6	ALARM KIT		1	

AUDIO WARNING SYSTEM

BODENSEE PARTS



37745

BODENSEE PARTS

Ref #	Part Class	Part Number	Description	Comments	Qty	Note
1	0091	806141A1	PROBE ASSEMBLY		2	
2	0020	806119	PVS EMISSIONS		1	
3	0021	806603	VALVE PVC		1	
4	0022	806175A1	T-FITTING ASSEMBLY (WITH HOSES)		1	
5	0022	52382	BUSHING		1	

GASKET SET OVERHAUL

GASKET SET OVERHAUL

Ref #	Part Class	Part Number	Description	Comments	Qty	Note
-	0027	806871A96	GASKET SET Overhaul		1	
-	0027	138651	GASKET Oil Pan		1	
-	0027	524572	GASKET Carburetor		2	
-	0027	17145	GASKET SET Intake Manifold		1	
-	0027	756111	GASKET Cylinder Head		2	
-	0027	33395	GASKET Exhaust Manifold		2	
-	0027	17467	GASKET Rocker Cover		2	
-	0027	8079821	GASKET Carburetor		1	
-	0027	806640	GASKET		1	
-	0026	97664	SEAL Intake		8	
-	0026	852936	SEAL Exhaust		8	
-	0027	91892	GASKET Adapter		1	
-	0027	34213	GASKET Fuel Pump		1	
-	0027	34897	GASKET Water Pump		2	
-	0025	30224	O-RING (1.859 x .139)		1	[1]
-	0025	805062	O-RING (.530 x .082)		1	
-	0025	805063	O-RING (.301 x .070)		4	
-	0025	32509	O-RING (.489 x .070)		5	
-	0027	331792	GASKET		1	[2]
-	0027	881715	GASKET		1	
-	0027	530451	GASKET Thermostat Housing		1	[3]
-	0027	806871	GASKET Thermostat		1	
-	0027	344863	GASKET Distributor		1	
-	0027	488181	GASKET		1	[4]
-	0027	49955	GASKET Drain, Oil Pan		2	
-	0027	34898	GASKET Fuel Pump		1	
-	0026	42077	SEAL Remote Oil		2	
-	0026	34217	SEAL Intake and Exhaust		16	
-	0026	14240	SEAL Oil		1	
-	0026	852941	SEAL Rear Oil		1	

PART NOTES:

- [1] - Alternate part numbers:
30224Service Part
30224QQS
- [2] - Alternate part numbers:
33179 2Service Part
33179Q02QS
- [3] - Alternate part numbers:
53045 1Service Part
53045Q01QS

GASKET SET OVERHAUL

GASKET SET OVERHAUL

- [4] - Alternate part numbers:
48818 1Service Part
48818Q01QS

PARTS INDEX

Part No.	Description	Pg.	Ref.no	Part No.	Description	Pg.	Ref.no
11086T	ELBOW	64	3	11965	ROTATOR	38	13
11966	SCREW (.437-14 x 3.750)	38	23	119671	SCREW (.437-14 x 3.00)	38	22
11968	SCREW (.437-14 x 1.750)	38	21	11971	NUT (.312-18)	52	17
11975	BOLT (3/8-16 x 1.25)	48	2	11976	SCREW (.375-16 x 1.00)	48	2
11989	STUD (.312-18 x 1.6718)	52	14	12244	SCREW (.375-16 x 1.00)	32	14
12244	SCREW (.375-16 x 1.00)	32	14	123811	RETAINER	56	3
12552	LIFTING EYE	34	16	12657	TAB WASHER	60	10
12675A7	HOUSING ASSEMBLY Flywheel	62	1	13051A4	LEVER ASSEMBLY Actuating	54	3
13438	NUT (.250-28)	54	10	13438	NUT (.250-28)	56	10
13457T	BELT	70	36	13510	WASHER	44	8
13510	WASHER	76	28	13524A1	WHEEL ASSEMBLY	14	5
13743	SCREW (.312-18 x 1.843) Shoulder	54	5	13743	SCREW (.312-18 x 1.843) Shoulder	54	14
13743	SCREW (.312-18 x 1.843) Shoulder	56	14	138651	GASKET Oil Pan	52	10
138651	GASKET Oil Pan	84	-	138981	LEVER	56	13
13898A3	LEVER ASSEMBLY Shift	54	13	14070	SCREW (.250-20 x .625)	52	13
14239	RETAINER Oil Seal (REAR)	48	24	14240	SEAL Oil (REAR)	48	26
14240	SEAL Oil	84	-	14241	GASKET	48	25
14242	BOLT (.250-20 x .875)	48	28	14243	BOLT (.250-20 x 1.750)	48	27
14256	REINFORCEMENT	52	16	14257	REINFORCEMENT	52	15
14263	PIN Dowel	48	29	1430165	TUBING (38.00 Inches Bulk)	22	13
14343T	ELBOW	64	3	14358T	TUBE	64	5
14827	STUD (.250-20 x 2.180)	48	31	14883	SCREW (.375-16 x 1.12)	44	7
14883	SCREW (.375-16 x 1.12)	44	11	14883	SCREW (.375-16 x 1.12)	76	27
14957	FILTER Oil	48	23	14957	FILTER Oil	66	1
15001	SCREW (#8-16 x .875)	10	3	15082T	BRACE	58	5
15083T	BRACKET	4	18	15083T	BRACKET ALTERNATOR	58	A
15296A2	TUBE	52	18	15297T	DIPSTICK	52	19
1589418	HOSE Breather	20	7	1589418	HOSE Breather	24	7
15895	SPACER (.38 x 1.00 x 1.44)	18	27	16792A1	PUMP ASSEMBLY	58	1
17145	GASKET SET	48	6	17145	GASKET SET Intake Manifold	84	-
17159	SPROCKET	40	13	17160	SPROCKET Crankshaft	40	14
17160	SPROCKET Crankshaft	42	14	17161	CHAIN Timing	40	12
17161	CHAIN Timing	42	12	173391	PUSH ROD	38	5
173401	LIFTER Roller	42	10	17341	GUIDE Lifter	42	18
17343	SCREW (.250-20 x .500)	42	23	17344	SCREW	38	3
17346	SCREW	52	2	1743579	HOSE (96.00 Inches Bulk)	36	20
17464	RING SET Piston (Standard) See Parts Bulletin 2001-2 For Proper Ring Selection	46	2	17465	RING Piston See Parts Bulletin 2001-2 For Proper Ring Selection	46	2
17467	GASKET Rocker Cover	38	4	17467	GASKET Rocker Cover	84	-
17619	MANIFOLD Intake	48	1	17620	MANIFOLD Intake	48	1
18311A17	COUPLER ASSEMBLY Engine	44	9	18484A3	COVER	20	1
18484A3	COVER	24	1	18643A5	COUPLING ASSEMBLY	44	4
18643A8	COUPLING ASSEMBLY	76	25	18644	BUMPER Rubber	44	6
18644	BUMPER Rubber	76	26	187101	CAP Oil Fill	38	2
19692T	PULLEY (7 In. Diameter)	48	10	19752A6	SWITCH ASSEMBLY Cut Out	54	17
20084	WASHER (.328 x .562 x .062)	24	19	20084	WASHER (.328 x .562 x .062)	70	5
20084	WASHER (.328 x .562 x .062)	72	5	20361	NUT (.250-28)	20	26
20361	NUT (.250-28)	24	28	20553	WASHER (.406 x .734 x .063)	4	20
20553	WASHER (.406 x .734 x .063)	4	20	20553	WASHER (.406 x .734 x .063)	18	26
20572	WASHER (.390 x .750 x .093)	44	12	20572	WASHER (.390 x .750 x .093)	62	8
20572	WASHER (.390 x .750 x .093) (FOR SLOT)	78	15	20739	NUT (.750-16)	60	9
20739	NUT (.750-16)	60	11	21071	COTTER PIN	54	16
21071	COTTER PIN	56	16	21908	NUT (.312-18) Cad Plated	70	23
21908	NUT (.312-18) Cad Plated	72	24	23161	NUT (.375-24)	4	23
23720	RING Retaining	70	17	23720	RING Retaining	72	17
24231	SCREW (#10-32 x .250)	74	18	24664	WASHER (M4 x 20)	20	19
24664	WASHER (M4 x 20)	24	22	25439	O-RING (.862 x .103)	76	22
25594	NUT (.9375-24)	24	20	26079A2	PLATE KIT Wire Harness Mount	10	2
26168	WASHER	4	17	26486	SCREW (.375-16 x 2.375)	18	24
26487	SCREW (.375-16 x 1.12)	4	14	26487	SCREW (.375-16 x 1.12)	72	30
26992	LOCKWASHER (.250) Stainless Steel	4	10	26992	LOCKWASHER (.250) Stainless Steel	10	15

PARTS INDEX

Part No.	Description	Pg.	Ref.no	Part No.	Description	Pg.	Ref.no
26992	LOCKWASHER (.250) Stainless Steel	68	3	26992	LOCKWASHER (.250) Stainless Steel	78	12
26995	LOCKWASHER (#8) Stainless Steel	24	13	26996	LOCKWASHER (#10) Stainless Steel	4	8
26996	LOCKWASHER (#10) Stainless Steel	10	8	26996	LOCKWASHER (#10) Stainless Steel	10	17
26996	LOCKWASHER (#10) Stainless Steel	14	15	26996	LOCKWASHER (#10) Stainless Steel	14	26
28040	NUT (.500-20)	76	33	28105	WASHER	58	10
29198	SCREW AND LOCKWASHER (.312-18 x .875)	4	16	29245	WASHER (.281 x .500 x .060) Stainless Steel	20	25
29245	WASHER (.281 x .500 x .060) Stainless Steel	24	27	29245	WASHER (.281 x .500 x .060) Stainless Steel	68	4
29250	NUT (.312-24)	20	17	29250	NUT (.312-24)	34	15
29250	NUT (.312-24)	36	16	30224	O-RING (1.859 x .139)	84	-
30902	SCREW (#6-32 x .750)	54	18	32132	SCREW (.375-16 x 1.750)	48	9
32219	NUT (.375-16)	60	7	32219	NUT (.375-16)	62	6
32219	NUT (.375-16)	78	18	32509	O-RING (.489 x .070)	84	-
32515	SCREW (.437-20 x 2.50)	48	15	32561	PLUG Pipe - Allen Head (.250-18)	18	11
32773	SCREW (.250-20 x .875)	62	11	32783	RETAINER Three Wire	14	21
32784	RETAINER Four Wire	14	22	328021	PLUG Pipe (.125-27)	40	5
328021	PLUG Pipe (.125-27)	42	5	328021	PLUG Pipe (.125-27)	70	35
328021	PLUG Pipe (.125-27)	72	36	32803	PLUG Pipe (.375-18) Brass	36	2
32817	SPRING	20	12	32857	COTTER PIN	54	6
32857	COTTER PIN	56	6	32993	LOCKWASHER (.437)	78	4
32993	LOCKWASHER (.437)	78	7	32993	LOCKWASHER (.437)	78	21
33036	RETAINER	24	14	33047	SCREW	24	12
331792	GASKET	84	-	33198A1	PLUG (3/4-14)	30	2
33198A1	PLUG (3/4-14)	30	11	33198A1	PLUG (3/4-14)	32	2
33290	RING Retaining	6	12	33291	COLLAR	6	11
33395	GASKET	30	4	33395	GASKET	32	4
33395	GASKET Exhaust Manifold	84	-	33821	CONNECTOR	18	15
33821	CONNECTOR	18	15	34213	GASKET	18	2
34213	GASKET Fuel Pump	84	-	34217	SEAL	38	8
34217	SEAL Intake and Exhaust	84	-	342271	SEALING COMPOUND (16 Ounce) (WHERE APPLICABLE)	40	-
342271	SEALING COMPOUND (16 Ounce) (WHERE APPLICABLE)	42	-	34270	EXPANSION PLUG (1.625)	40	6
34270	EXPANSION PLUG (1.625)	42	6	34353	SCREW (.375-16 x 1.00)	4	19
34353	SCREW (.375-16 x 1.00)	70	25	34353	SCREW (.375-16 x 1.00)	70	29
34353	SCREW (.375-16 x 1.00)	72	26	34354	SCREW (.375-16 x 1.50)	18	3
34466	KEY	44	15	344863	GASKET	14	12
344863	GASKET Distributor	84	-	34500	SCREW (.312-18 x .625)	42	20
34516	NUT	38	17	34518	SHIELD	38	11
34521	STUD	38	19	34522	STUD	38	19
34714	WASHER	4	22	34714	WASHER	48	19
34714	WASHER	70	27	34714	WASHER	70	31
34714	WASHER	72	28	34714	WASHER	72	32
34897	GASKET	48	8	34897	GASKET Water Pump	84	-
34898	GASKET	18	6	34898	GASKET Fuel Pump	84	-
34933	NUT (.437-20) Stainless Steel	76	6	35029	O-RING (78.97 X 3.53 MM)	74	4
35045	NUT (.250-28)	20	6	35045	NUT (.250-28)	20	20
35045	NUT (.250-28)	20	27	35045	NUT (.250-28)	24	6
35045	NUT (.250-28)	24	23	35045	NUT (.250-28)	24	29
35048	LOCKWASHER (.375)	4	15	35048	LOCKWASHER (.375)	18	4
35048	LOCKWASHER (.375)	18	22	35048	LOCKWASHER (.375)	18	25
35048	LOCKWASHER (.375)	60	3	35048	LOCKWASHER (.375)	60	3
35048	LOCKWASHER (.375)	60	6	35048	LOCKWASHER (.375)	62	7
35048	LOCKWASHER (.375)	70	26	35048	LOCKWASHER (.375)	70	30
35048	LOCKWASHER (.375)	70	33	35048	LOCKWASHER (.375)	72	27
35048	LOCKWASHER (.375)	72	31	35048	LOCKWASHER (.375)	72	34
35048	LOCKWASHER (.375)	74	3	35048	LOCKWASHER (.375)	78	14
35312	PIN Dowel (1/4 In. Diameter)	40	17	35312	PIN Dowel (1/4 In. Diameter)	42	17
35329	ARM KIT Rocker	38	15	35331	BALL Rocker Arm	38	16
35332	WASHER	48	17	35339	SCREW (.312-18 x .750)	40	15
35339	SCREW (.312-18 x .750)	42	15	35366	SCREW	18	7
35366	SCREW	52	21	35373	MOUNTING PLATE	18	5

PARTS INDEX

Part No.	Description	Pg.	Ref.no	Part No.	Description	Pg.	Ref.no
35377	ROD	18	8	35462	WASHER (.2656 x .625 x .0625) Stainless Steel	54	9
35462	WASHER (.2656 x .625 x .0625) Stainless Steel	54	22	35462	WASHER (.2656 x .625 x .0625) Stainless Steel	56	9
35462	WASHER (.2656 x .625 x .0625) Stainless Steel	56	18	35465	PIN Dowel (.312)	40	7
35465	PIN Dowel (.312)	42	7	35786	SCREW (.375-24 x 1.00)	70	32
35786	SCREW (.375-24 x 1.00)	72	33	35814	NUT (.312-24) Stainless Steel	18	13
358701	SCREW (.375-16 x 2.00)	62	4	36183	RETAINER	52	5
36184	SHAFT	52	4	36382	FITTING (.250-18 x .62) Brass	30	3
36382	FITTING (.250-18 x .62) Brass	30	10	36382	FITTING (.250-18 x .62) Brass	32	3
37293	SENDER ASSEMBLY Oil Pressure	10	6	37493	NUT (.375-24)	46	5
37612	SCREW (.375-16 x 1.250)	4	19	37612	SCREW (.375-16 x 1.250)	18	21
37612	SCREW (.375-16 x 1.250)	62	4	37612	SCREW (.375-16 x 1.250)	74	2
37612	SCREW (.375-16 x 1.250)	78	13	38525	STUD	24	21
39107	LOCKWASHER (.312-24)	20	14	39107	LOCKWASHER (.312-24)	70	22
39107	LOCKWASHER (.312-24)	72	22	39107	LOCKWASHER (.312-24)	72	23
39131	LOCKWASHER (.437)	48	16	40001188	SCREW (M10 x 20)	58	7
40001192	SCREW (M10 x 25)	58	6	400211	NUT (M5) Stainless Steel	4	4
400248	LOCKWASHER (M10)	58	8	41063A1	BRACKET ASSEMBLY	74	17
41408	SCREW (#10-32 x 1.50)	14	25	41471	LOCKWASHER (.375)	64	10
41471	LOCKWASHER (.375)	64	13	41575A1	HARNESS ASSEMBLY	76	34
41811	GASKET	30	8	41811	GASKET	32	8
41813	GASKET	30	7	41813	GASKET	32	7
41877	STUD (M10)	58	2	42077	SEAL	66	6
42077	SEAL Remote Oil	84	-	42304A2	SUPPORT ASSEMBLY	76	7
42307	WASHER (SPHERICAL)	76	32	42600A3	CONTROLLER ASSEMBLY	68	8
42768	NUT	8	1	42769	LOCKWASHER	8	2
42770	PULLEY	8	3	42773	THRU BOLT	8	21
43276	ELBOW (90 Degree)	18	16	43749	SCREW (.375-16 x 5.750)	30	12
43749	SCREW (.375-16 x 5.750)	30	12	44348T	TUBE	64	1
44354A10	ELBOW ASSEMBLY Exhaust	30	9	44354A9	ELBOW ASSEMBLY Exhaust	30	9
44387	SCREW (.376-16 x 6.750)	30	12	44390T	ELBOW	74	13
44574	CAP	68	11	45353	SPACER	58	12
45599	SPRING	54	4	45915	TERMINAL BLOCK	74	20
46132	WASHER	4	20	46335	NUT (.375-24)	70	34
46335	NUT (.375-24)	72	35	46438	NUT (#10-32)	68	14
46438	NUT (#10-32)	74	19	47277	SCREW (.312-24 x .750)	48	11
47277	SCREW (.312-24 x .750)	70	21	47277	SCREW (.312-24 x .750)	72	21
47512	LIFTING EYE	48	3	47530	HUB	70	19
47530	HUB	72	19	47617	PIN	14	9
47651	SCREW (.437-14 x 1.50)	78	3	47651	SCREW (.437-14 x 1.50)	78	6
47688	SCREW (.375-16 x 2.750)	48	9	47688	SCREW (.375-16 x 2.750)	78	13
47715	CLIP	34	14	47715	CLIP	36	15
48120A1	V BELT (46 Inch)	48	14	48340	PLUG (.250-18 x .41)	40	2
48340	PLUG (.250-18 x .41)	42	2	48347	SPRING	38	10
48348	CAP	38	12	48358	PLUG (.375)	20	23
48358	PLUG (.375)	24	25	48424	SCREW (.375-16 x 1.620)	4	19
48556	BUSHING Reducer (.250 To .125)	40	4	48556	BUSHING Reducer (.250 To .125)	42	4
486594	HOSE	74	10	488181	GASKET	84	-
49099	FITTING	44	10	49126	BUSHING	76	29
49734A1	SENDER ASSEMBLY Water Temperature	10	7	49845	SCREW (.437-20 x 1.00)	44	13
49955	GASKET Drain	52	11	49955	GASKET Drain, Oil Pan	84	-
52185	CLAMP	14	13	52188	GROMMET	20	9
52188	GROMMET	24	9	52200	SCREW (1.625 In.) (1-1/2 IN.)	48	9
52382	BUSHING	82	5	524572	GASKET	20	22
524572	GASKET Carburetor	84	-	52504T	FLANGE Yoke	76	2
5251914	HOSE (53.00 Inches Bulk) Pump to Oil Cooler	58	19	52743	SCREW (.312-18 x 3.750)	72	4
52822T	PULLEY	70	20	530451	GASKET	34	3
530451	GASKET	36	4	530451	GASKET Thermostat Housing	84	-
53167	SCREW (.312-18 x .880)	56	5	53336	STRAINER	26	4
53338	VALVE ASSEMBLY Filter	48	21	53338	VALVE ASSEMBLY Filter	66	9
53728	SCREW (.375-16 x 4.75)	30	5	53728	SCREW (.375-16 x 4.75)	32	5
53833	BOLT (.375-24 x 2.00)	48	18	54090	ELBOW	24	15

PARTS INDEX

Part No.	Description	Pg.	Ref.no	Part No.	Description	Pg.	Ref.no
54676	RETAINER Two Wire	14	20	54786	SCREW (.312-18 x 1.250)	48	22
54786	SCREW (.312-18 x 1.250)	66	10	547971	KEY	38	14
56720	WASHER (.330 x .750 x .060) Stainless Steel	54	8	56720	WASHER (.330 x .750 x .060) Stainless Steel	56	8
56743	SCREW (.375-24 x 3.125)	4	21	57053	SCREW (.500-20 x 4.500)	76	31
57583	SCREW (#8-32 x .375)	10	12	5790811	SLEEVE (10.00 Inches Bulk)	4	12
58640	SCREW (.375-16 x 1.25)	64	9	58640	SCREW (.375-16 x 1.25)	74	8
58643	LOCKWASHER (.375)	74	9	593621	IMPELLER	70	10
593621	IMPELLER	72	10	5943	CAMSHAFT	40	11
59501A1	SHAFT	70	16	59501A1	SHAFT	72	16
59504	PLUG	70	9	59504	PLUG	72	9
59571	SPARK PLUG	14	19	60930	SHUTTER Water	74	6
60931	RETAINER	74	5	61221	CROSS AND BEARING With Clips	76	3
62568	SCREW (#10-16 x .375)	68	12	62780A1	BEARING Ball	76	24
62826A6	CABLE ASSEMBLY Ground (13.00 Inches) Black	62	12	63341	TEE NUT	54	12
63341	TEE NUT	56	12	63709A1	BOOT/TERMINAL KIT	14	18
64015	NUT (.250-20)	54	23	64015	NUT (.250-20)	56	19
64066	STUD (.375-16 x 2.750) Special	60	4	64066	STUD (.375-16 x 2.750) Special	62	5
64066	STUD (.375-16 x 2.750) Special	78	17	64489	CLAMP	34	19
657461	SCREW AND LOCKWASHER (.250-20 x .625)	54	20	65970T1	BRACKET	14	24
66284A2	BASE ASSEMBLY	60	8	66686	SCREW (#10-32 x 1.00)	14	7
68101	SCREW (.375-16 x 1.375)	60	2	68101	SCREW (.375-16 x 1.375)	60	2
68102	LOCKWASHER (.750)	60	12	68219	NUT (#10-32) Stainless Steel	10	9
68219	NUT (#10-32) Stainless Steel	10	18	68219	NUT (#10-32) Stainless Steel	14	16
68219	NUT (#10-32) Stainless Steel	14	27	68219	NUT (#10-32) Stainless Steel	68	9
68402	PIN (.250 x 1.13)	56	15	68411	NUT (.375-16)	76	20
69067	SCREW (.250-20 x 1.375)	68	2	70125A1	COVER Choke	24	11
701431	GASKET	24	24	70236	STUD (.312 x 1.500)	20	15
70236	STUD (.312 x 1.500)	24	17	70237	STUD (.312-18/.312-24 x 2.620)	24	17
72057	SPACER (1.00 Outside Diameter x .125 x Thick)	58	9	72202	SCREW (#10-32 x 1.25)	14	7
72202	SCREW (#10-32 x 1.25)	68	7	72638	LIFTER	40	10
72640	PLUG Expansion	40	8	72640	PLUG Expansion	42	8
72647	GUARD	48	5	72774A32	PUMP ASSEMBLY Sea Water - Complete	72	1
72774A40	BODY ASSEMBLY Sea Water - Complete	70	2	72774A40	BODY ASSEMBLY Sea Water - Complete	72	2
72774A50	PUMP ASSEMBLY Sea Water - Complete	70	1	72785	SEAL	70	18
72785	SEAL	72	18	72821	RETAINER	14	30
72961	BEARING Ball	70	15	72961	BEARING Ball	72	15
73275	SCREW (.312-18 x 2.88)	70	4	73275	SCREW (.312-18 x 2.88)	72	4
73668	J-CLIP	30	13	73668	J-CLIP	32	13
73798A1	PULLEY	72	20	7381567	TUBING (42.00 Inches Bulk)	18	19
73873A1	PULLEY	58	4	74036	FITTING Grease	44	5
74036	FITTING Grease	76	4	74036	FITTING Grease	76	11
74036	FITTING Grease	76	15	74036	FITTING Grease	78	2
74271T	V BELT (35.125 In)	72	37	74824	SCREW (.312-18 x 1.250)	20	13
75611	GASKET	38	20	756111	GASKET Cylinder Head	84	-
76926	SCREW (.375-16 x .875)	76	17	78458A1	TUBE	74	14
78945	J CLAMP Harness Support	60	5	78945	J CLAMP Harness Support	62	9
79091	FUSE 20 Ampere	10	21	79550A1	BRACKET (FRONT)	60	1
79695	BOOT Insulator - Black	4	5	79989	NUT (#10-24) Stainless Steel	4	9
805016A1	FLAME ARRESTOR	24	3	805059	FITTING	80	2
805062	O-RING (.530 x .082)	84	-	805063	O-RING (.301 x .070)	84	-
805159	SCREW (.437-20 x 1.500)	76	5	805185A26	DISTRIBUTOR ASSEMBLY	14	1
8052151	GASKET	70	6	8052151	GASKET	72	6
805294	GROMMET	68	6	805295	STUD (.250-20/.250-28 x Special)	24	16
805296	STUD (4.50 Inch)	20	11	805298A1	FLAME ARRESTOR	20	3
805313	RETAINER	24	4	805314	RETAINER Breather Hose	20	4
8053281	FITTING Elbow (90 Degree - .125)	10	5	8053432	SCREW (.375-16 x 4.33)	4	2
805359T	BRACKET	20	16	805364A1	DECAL SET Color Coding (COLOR CODE)	2	-
805367T	BRACKET	18	20	805368T	BRACKET Electrical	10	10
805383T	BRACKET Harness Mounting	10	4	805459	STUD Mercathode Mounting	68	13
805489T	BRACKET	24	18	805563	CONNECTOR (.500 Inch NPTF To .500 Inch Inverted Flare)	66	12

PARTS INDEX

Part No.	Description	Pg.	Ref.no	Part No.	Description	Pg.	Ref.no
805564	SCREW (.250-20 x .750)	10	14	805565	SCREW (#10-32 x .750)	68	7
805570A2	COIL KIT	14	23	805605A1	SWITCH ASSEMBLY	80	3
805625	CLIP Dipstick Tube	52	20	805727	CAP Rubber	32	15
805759A2	CAP ASSEMBLY	14	2	805760	GASKET	14	3
806119	PVS EMISSIONS	82	2	806121	FITTING	66	7
8061265	HOSE Oil	66	11	806141A1	PROBE ASSEMBLY	82	1
806175A1	T-FITTING ASSEMBLY (WITH HOSES)	82	4	8061785	HOSE	66	4
806186	FITTING	66	13	80622142	HOSE ASSEMBLY (84.00 Inches Bulk) Return	58	17
80622145	HOSE	58	17	80622216	HOSE	58	14
80622236	PRESSURE HOSE	58	14	806232	O-RING (.239 x .064)	58	16
806235A1	HOUSING ASSEMBLY Thermostat	36	1	806294960	OWNERS GUIDE	2	-
806545A1	CARBURETOR	20	10	806603	VALVE PVC	82	3
806608A1	PLUG KIT (.500-13) Royal Blue	30	15	806608A1	PLUG KIT (.500-13) Royal Blue	32	10
806609	QUAD RING	30	16	806609	QUAD RING	32	11
806611T	MODULE Knock Control	10	28	806612T	SENSOR Knock	12	30
8066351	HOSE	34	12	8066351	HOSE	36	13
8066361	HOSE	34	13	8066361	HOSE	36	14
806640	GASKET	84	-	8066681	SCREW (.375-16 x .875)	14	14
806705	Y-FITTING	12	31	806735T	BRACKET	10	23
806825	HOSE	34	10	806825	HOSE	36	11
806826	SCREW (#8-32 x .250)	10	27	806827	SCREW (#8-32 x .380)	10	29
806834	SCREW	10	24	806835	SCREW (10-32 x .50)	10	25
806856	HOSE	34	9	806856	HOSE	36	10
806871	GASKET	34	2	806871	GASKET	36	3
806871	GASKET Thermostat	84	-	806871A96	GASKET SET Overhaul	14	-
806871A96	GASKET SET Overhaul	18	-	806871A96	GASKET SET Overhaul	20	-
806871A96	GASKET SET Overhaul	24	-	806871A96	GASKET SET Overhaul	30	-
806871A96	GASKET SET Overhaul	32	-	806871A96	GASKET SET Overhaul	34	-
806871A96	GASKET SET Overhaul	36	-	806871A96	GASKET SET Overhaul	38	-
806871A96	GASKET SET Overhaul	48	-	806871A96	GASKET SET Overhaul	52	-
806871A96	GASKET SET Overhaul	66	-	806871A96	GASKET SET Overhaul	84	-
806922	SLEEVE	34	5	806922	SLEEVE	36	6
806926A1	ELBOW KIT Drain	30	14	806926A1	ELBOW KIT Drain	32	9
806949	NUT (M8-1.5)	4	3	806950	BREAKER Circuit - 50 Ampere	10	11
806951	SWITCH Water Temperature	80	1	806956T4	ICM MODULE Ignition Control Module	10	26
806957T4	ICM MODULE Ignition Control Module	10	26	806964A3	STARTER MOTOR ASSEMBLY	4	1
806964A3	STARTER MOTOR ASSEMBLY	6	1	806966A2	HARNESS ASSEMBLY	10	1
806981	SPACER	54	21	806981	SPACER	56	17
807123A2	HOUSING ASSEMBLY Thermostat	34	1	807130A4	PIPE	64	6
807166A1	SHUTTER ASSEMBLY Water	64	7	807167	GROMMET	64	8
807172	FILTER Fuel/Water Separator	18	14	807228A1	SPACER	20	21
807229A2	HARNESS ASSEMBLY	10	1	8072522	THERMOSTAT 71°C (160°F)	34	4
8072522	THERMOSTAT 71°C (160°F)	36	5	807262A2	CARBURETOR	20	10
807264T3	ICM MODULE Ignition Control Module	10	26	807292T	COOLER Power Steering Oil	34	17
807292T	COOLER Power Steering Oil	36	17	807312A1	CARBURETOR ASSEMBLY (MERCARB)	24	10
807312A1	CARBURETOR ASSEMBLY	26	-	807315A1	MARINE LONG BLOCK ENGINE (2 BBL CARBURETOR)	40	-
807447A1	LONGBLOCK ASSEMBLY (4 BBL CARBURETOR)	42	-	807645T3	ICM MODULE Ignition Control Module	10	26
807914A1	ELBOW ASSEMBLY Exhaust	30	9	8079821	GASKET Carburetor	84	-
808675	CLIP Spring	26	32	809064	OVERHAUL KIT	22	1
809066	REPAIR KIT Electric Choke	22	14	809071	OVERHAUL KIT	22	1
809072	SCREW KIT Idle Mixture	22	10	809074	METERING ROD KIT	22	5
809076	PRIMARY METERING JET	22	11	809077	GASKET	22	2
809095	RETAINER KIT Electric Choke	22	15	809459	HOUSING	6	14
809463A1	SOLENOID KIT	6	17	809471A1	WIRE KIT	22	16
809520	CHECK BALL KIT	26	33	809768	METERING ROD KIT	22	5
809769	PRIMARY METERING JET	22	11	809825	RTV SILICONE (3 Ounce Tube) Metallic Blue (WHERE APPLICABLE)	40	-
809825	RTV SILICONE (3 Ounce Tube) Metallic Blue (WHERE APPLICABLE)	42	-	809892	BALANCER Harmonic	48	12
809907	PUMP ASSEMBLY Oil	52	1	809909	SCREEN Oil Pump Pick Up	52	3

PARTS INDEX

Part No.	Description	Pg.	Ref.no	Part No.	Description	Pg.	Ref.no
809910	PAN Oil	52	9	809911	SCREW Oil Drain (M12 x 1.75)	52	12
809995	COVER Rocker	38	1	810916	ARM	26	13
810919	WASHER	26	11	8109201	ROD	26	8
8109301	SCREW KIT	26	30	811533	FITTING KIT Inlet	22	3
811534	NEEDLE/SEAT KIT Inlet	22	4	811536	FLOAT KIT	22	6
811537	PLUNGER KIT Pump	22	7	811538	CHOKE KIT	22	8
811539	SCREW KIT Idle Mixture	22	9	811657	JET Metering - Secondary	22	12
811658	CAMSHAFT	42	11	8116591	SPROCKET Camshaft	42	13
811662	RETAINER Lifter Guide	42	19	811663	RETAINER	42	22
811664	WASHER (.3125 Inch)	42	21	811841	PUMP ASSEMBLY Water	48	7
811865	SPACER	8	4	811866	FAN	8	5
811867	SPACER	8	6	811868	BRACKET ASSEMBLY Front	8	7
811869	SCREW	8	8	811870	BEARING Ball	8	9
811871	RETAINER	8	10	811872	ROTOR ASSEMBLY	8	11
811873	STATOR ASSEMBLY	8	12	811874	BRACKET ASSEMBLY Rear	8	13
811875	RECTIFIER ASSEMBLY	8	14	811876	SCREW	8	15
811877	HOLD	8	16	811878	NUT	8	17
811878	NUT	8	31	811879	CONDENSER ASSEMBLY	8	18
811880	HOLD	8	19	811881	NUT	8	20
811883	REGULATOR ASSEMBLY	8	22	811884	BRUSH	8	23
811885	SPRING	8	24	811886	SET SCREW	8	25
811887	TERMINAL	8	26	811888	COVER	8	27
811889	SET SCREW	8	28	811890	WIRE Red	8	29
811891	WIRE Purple	8	30	812776A26	DECAL SET	20	2
812776A32	DECAL SET	24	2	812776A33	DECAL SET	20	2
813995A1	GUIDE ASSEMBLY Spring	54	19	814001	PIN Clevis	54	15
8140021	STUD (.250 x 2.870)	54	2	814309A1	HOUSING ASSEMBLY	78	8
814420A5	BRACKET	66	2	814476	BUSHING	6	15
814822	FITTING	66	3	8153642	HOSE	34	8
8153642	HOSE	36	9	815425	SENDER ASSEMBLY Oil Pressure	10	6
815504105	CLAMP Worm Gear (11-18 mm)	58	20	815504220	CLAMP Worm Gear	32	16
815504220	CLAMP Worm Gear	34	7	815504220	CLAMP Worm Gear	36	8
815504220	CLAMP Worm Gear	72	39	815504222	CLAMP Worm Gear (1.98 Diameter)	36	21
815504232	CLAMP Worm Gear (2.50 Diameter)	34	11	815504232	CLAMP Worm Gear (2.50 Diameter)	36	12
815504256	CLAMP Worm Gear	74	11	815504372	CLAMP Worm Gear	64	2
815504372	CLAMP Worm Gear	64	4	815504372	CLAMP Worm Gear	74	16
8161331	FITTING	18	10	816295T	V BELT	58	13
816398	CLIP	34	18	816398	CLIP	36	18
8164	CONNECTING ROD	46	3	816492A6	ALARM KIT	80	4
816565	PLUG Cup (.468)	40	3	816565	PLUG Cup (.468)	42	3
81659696	PARTS MANUAL 5.7L/LX 350 MAG Alpha/Bravo	2	-	816730	NUT (.250-20)	48	30
816761A17	SPARK PLUG WIRE KIT	14	17	816900A5	ELBOW ASSEMBLY Exhaust	32	12
816900A9	ELBOW ASSEMBLY	32	12	817119A4	ALTERNATOR	4	6
817119A4	ALTERNATOR	8	-	817403A4	BRACKET ASSEMBLY	66	2
818192	STUD	20	18	818400A1	ADAPTER	66	5
818465	BEARING SET 5 Pair	44	1	818466	BEARING SET 5 Pair	44	1
818467	BEARING SET 5 Pair	44	1	818468	BEARING SET 5 Pair	44	1
818718A3	COVER KIT	78	9	818719A1	COVER	62	10
818807	GEAR	14	8	818832	GASKET	30	6
818832	GASKET	32	6	821051961	OWNERS GUIDE	2	-
821150	PUSH ROD	18	8	821761T	LINE Fuel	18	18
8232251	SERVICE MANUAL	2	-	8237251	LEVER	26	9
834989	LEVER/SHAFT ASSEMBLY Throttle	26	34	835005	COVER ASSEMBLY Timing	48	20
848136	WASHER (.328 x .680 x .190)	40	16	848136	WASHER (.328 x .680 x .190)	42	16
850090	STUD (.437-14/.375-16 x 3.360)	52	7	850091	NUT (.375-16)	52	8
850095	VALVE Exhaust	38	6	850096	VALVE Exhaust	38	6
850097	PISTON ASSEMBLY	46	1	850098	PISTON ASSEMBLY	46	1
85013T	BRACE	4	13	852936	SEAL Exhaust	84	-
852941	SEAL Rear Oil	84	-	85674	BEARING SET	40	9
85674	BEARING SET	42	9	85701	BEARING	46	6
85702	BEARING	46	6	85703	BEARING	46	6

PARTS INDEX

Part No.	Description	Pg.	Ref.no	Part No.	Description	Pg.	Ref.no
85704	BEARING	46	6	85705	BEARING	46	6
85802	SCREW (.375-24 x Special)	46	4	86015	GASKET	78	10
86400	WASHER	20	5	86400	WASHER	24	5
87114A19	MANIFOLD ASSEMBLY Exhaust	30	1	87114A19	MANIFOLD ASSEMBLY Exhaust	32	1
87631A4	COVER KIT	70	3	87631A4	COVER KIT	72	3
879194018	CONNECTOR	26	6	879194060	VENTURI	26	20
881715	GASKET	84	-	88388	O-RING	68	5
88543A3	CABLE ASSEMBLY	68	10	88641	INSULATOR	18	12
88795	HOSE	72	38	887952	HOSE	36	19
89535T	BRACKET	72	25	89535T1	BRACKET	70	24
89609	BRACE	72	29	896091	BRACE	70	28
89876A3	BASE ASSEMBLY Fuel Filter/Water Separator	18	9	89879	O-RING (.301 x .064)	58	15
89879	O-RING (.301 x .064)	58	18	90081A1	PULLEY	48	13
90096A1	STUD ASSEMBLY (#10-32 x Special)	14	29	9029	SEAT KIT Inlet	26	14
90301	PIN Float	26	17	9031	FLOAT	26	16
9032	SPRING	26	5	9037	ARM Choke	26	3
90381	PLATE Baffle	26	15	9039	WASHER	26	10
9042	ROD Choke	26	7	90441	PACKING SET	26	31
9048	CAM	26	22	9049	SHAFT	26	23
90517	NUT (M10)	58	11	9052	SCREW	26	25
9053	SPRING	26	26	9054	SPRING	26	28
90562	SEAL (1.254 x .312)	70	14	90562	SEAL (1.254 x .312)	72	14
9058	JET Main	26	18	9059	JET POWER	26	19
9060	SCREW	26	27	90611	GASKET SET	26	29
90915	BUSHING	14	10	90926	SCREW (#10-32 x .810)	14	4
90931	THRUST WASHER	14	11	91019A6	SENSOR ASSEMBLY	14	6
91034	SPACER (.380 x 1.00 x .530)	18	23	91892	GASKET	66	8
91892	GASKET Adapter	84	-	92850	CLAMP	62	9
92850	CLAMP	78	16	92913	SCREW (.437-14 x .750)	78	20
93320A3	RISER KIT Exhaust Elbow (3 In.) (3")	30	-	93320A7	RISER KIT Exhaust (3.00 Inch)	32	-
93322A5	RISER KIT Exhaust (6.00 Inch)	32	-	93322A6	RISER KIT Exhaust Elbow (6 In.) (6")	30	-
93906A2	SHAFT	76	21	93908A1	SHAFT ASSEMBLY	76	12
93911A4	HOUSING ASSEMBLY Shaft Extension Support	78	1	93914	RING Retaining	76	10
93915	RING Retaining	76	14	93918A1	SHIELD Lower	76	16
93919A1	SHIELD Upper	76	18	939201	PLATE	78	19
93921	EXPANSION PLUG	76	13	93923A1	MOUNT ASSEMBLY	78	5
93924	SEAL	76	8	93944A1	BEARING	76	9
94018A1	ELBOW ASSEMBLY Exhaust	74	7	94103	RING	76	30
94104	RING Retaining	76	23	94288	QUAD RING	70	12
94288	QUAD RING	72	12	94330	NUT (.250-20) Brass	4	11
94330	NUT (.250-20) Brass	10	16	94576	WEAR PLATE	70	11
94576	WEAR PLATE	72	11	94608A1	TUBE ASSEMBLY Exhaust	74	12
94819A3	DRIVESHAFT ASSEMBLY	76	1	94913A1	HOUSING ASSEMBLY Water Pump	72	13
94913A2	HOUSING ASSEMBLY Water Pump	70	13	94914	GASKET	70	8
94914	GASKET	72	8	94916	WEAR PLATE	70	7
94916	WEAR PLATE	72	7	95084A10	CABLE ASSEMBLY (5.00 Inches) Red	10	22
95084A9	CABLE ASSEMBLY (91.00 Inches) Red/Purple Strip	10	20	9520	FLYWHEEL	44	3
9521	CRANKSHAFT	44	14	95740	STRAP Ground	74	15
95805	CAP	58	3	96112	STUD (.250-28 x 2.00) Throttle Cable Anchor	20	24
96112	STUD (.250-28 x 2.00) Throttle Cable Anchor	24	26	96112	STUD (.250-28 x 2.00) Throttle Cable Anchor	54	11
96112	STUD (.250-28 x 2.00) Throttle Cable Anchor	56	11	96158	SOLENOID Starter	10	13
96457	WASHER Phenolic (.27 x .81 x .062)	4	7	96551	PUMP KIT Accelerator	26	12
96855T	LINE Fuel	18	18	96995	SCREW (.375-16 x .880)	76	19
9718	CYLINDER HEAD ASSEMBLY	38	18	97257A1	SENDER ASSEMBLY Water Temperature	10	7
97326T	LINE Fuel	18	17	97350T1	PLATE	64	11
97401A8	PUMP ASSEMBLY Fuel	18	1	97661	VALVE Intake-Standard Intake	38	7
97662	VALVE Intake	38	7	97664	SEAL	38	9
97664	SEAL Intake	84	-	97850	ELBOW 90 Degree Breather	20	8
97850	ELBOW 90 Degree Breather	24	8	97861	INSULATOR	10	19
98253	SCREW (.250-20 x .500)	78	11	98261	SCREW (.375-16 x .750)	4	14
98261	SCREW (.375-16 x .750)	14	28	98261	SCREW (.375-16 x .750)	34	20

PARTS INDEX

Part No.	Description	Pg.	Ref.no	Part No.	Description	Pg.	Ref.no
98508	SCREW (.375-16 x 3.00)	34	6	98534	SCREW (.375-16 x 2.30)	32	14
98602	BAFFLE (CYLINDER BLOCK)	52	6	98626A3	SEPARATOR	74	1
98794	SCREW (.375-16 x 1.00)	36	7	98794	SCREW (.375-16 x 1.00)	64	12
987981	STUD (.250-20/.250-28 x 2.120)	56	2	98828	SPACER	56	4
98869A11	ELECTRODE ASSEMBLY	68	1	98880	SPRING	54	7
98880	SPRING	56	7	99237A10	BRACKET ASSEMBLY	54	1
99237A10	BRACKET ASSEMBLY	56	1	99297A1	MOUNT ASSEMBLY Rubber	62	2
99322	SPACER	62	3	99347	SCREW (.312-18 x 3.75)	70	4
99948	PUSH ROD	38	5	F11100096	PIN Dowel (1/4 Diameter)	44	2
NSS	NOT SOLD SEPARATE ARMATURE	6	2	NSS	NOT SOLD SEPARATE BRUSH HOLDER AND SPRING	6	3
NSS	NOT SOLD SEPARATE FRAME	6	4	NSS	NOT SOLD SEPARATE SCREW	6	5
NSS	NOT SOLD SEPARATE THRU BOLT	6	6	NSS	NOT SOLD SEPARATE SHAFT AND GEAR	6	7
NSS	NOT SOLD SEPARATE GASKET	6	8	NSS	NOT SOLD SEPARATE GEAR	6	9
NSS	NOT SOLD SEPARATE DRIVE	6	10	NSS	NOT SOLD SEPARATE THRUST COLLAR	6	13
NSS	NOT SOLD SEPARATE GROMMET	6	16	NSS	NOT SOLD SEPARATE LEVER	6	18
NSS	NOT SOLD SEPARATE SCREW	6	19	NSS	NOT SOLD SEPARATE AIR HORN	26	1
NSS	NOT SOLD SEPARATE CHOKE HOUSING	26	2	NSS	NOT SOLD SEPARATE CARBURETOR BODY	26	21
NSS	NOT SOLD SEPARATE FLANGE ASSEMBLY	26	24	NSS	NOT SOLD SEPARATE CYLINDER BLOCK ASSEMBLY	40	1
NSS	NOT SOLD SEPARATE CYLINDER BLOCK ASSEMBLY	42	1	NSS	NOT SOLD SEPARATE STUD (GM#3959544)	48	4