

Parts Manual

Cat.# 90-80950095

Revised 09-11-2020

TABLE OF CONTENTS

Cat.# 90-80950095

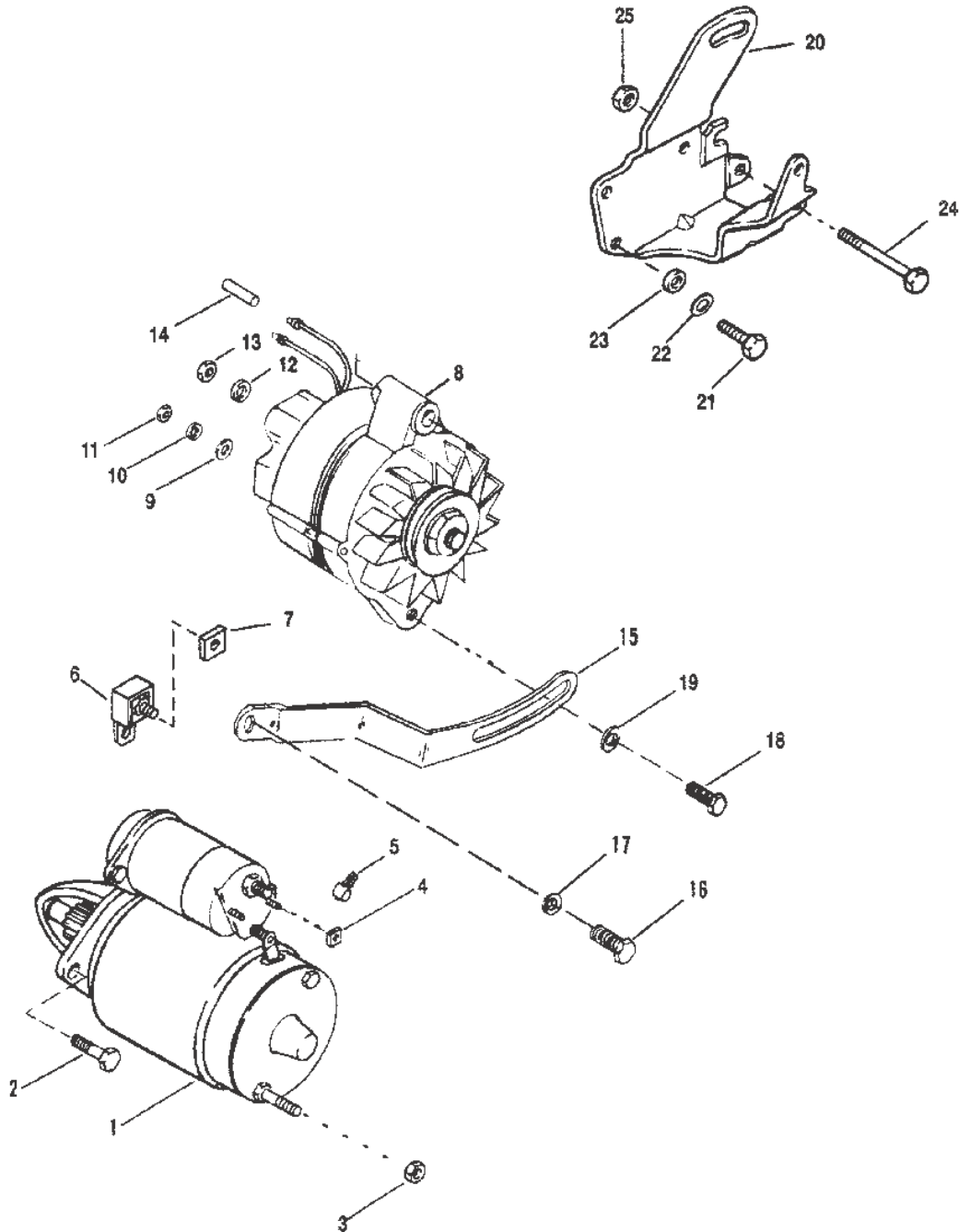
MISCELLANEOUS PARTS & ACCESSORIES.....	1
STARTER MOTOR AND ALTERNATOR.....	3
STARTER MOTOR.....	5
ALTERNATOR (MANDO).....	7
DISTRIBUTOR AND IGNITION COMPONENTS.....	9
SENDERS AND SENSORS.....	13
WIRING HARNESS (ENGINE) (ILLUSTRATION ONLY).....	15
WIRING HARNESS (EFI) (ILLUSTRATION ONLY).....	17
ELECTRICAL BOX AND COMPONENTS.....	19
FUEL PUMP AND FUEL FILTER.....	21
THROTTLE LINKAGE.....	23
THROTTLE BODY.....	25
VAPOR SEPARATOR TANK AND FUEL LINES.....	27
VAPOR SEPARATOR TANK.....	29
EXHAUST MANIFOLD AND EXHAUST ELBOW (ALPHA).....	31
EXHAUST MANIFOLD AND EXHAUST ELBOW (BRAVO).....	33
THERMOSTAT HOUSING (STANDARD COOLING).....	35
SEA WATER PUMP ASSEMBLY.....	37
CYLINDER HEAD AND ROCKER COVER.....	39
CYLINDER BLOCK AND CAMSHAFT.....	41
CRANKSHAFT AND FLYWHEEL.....	43
PISTONS AND CONN. RODS.....	45
INTAKE MANIFOLD AND FRONT COVER.....	47
OIL PAN AND OIL PUMP.....	51
SHIFT BRACKET (ALPHA).....	53
SHIFT BRACKET (BRAVO).....	55
ENGINE MOUNTING.....	57
FLYWHEEL HOUSING.....	59
EXHAUST SYSTEM.....	61
POWER STEERING COMPONENTS.....	63
OIL FILTER AND ADAPTOR.....	65
MERCATHODE COMPONENTS.....	67

MISCELLANEOUS PARTS & ACCESSORIES

MISCELLANEOUS PARTS & ACCESSORIES

Ref #	Part Class	Part Number	Description	Comments	Qty	Note
-	0090	80950095	PARTS MANUAL 5.7L (Alpha/Bravo) (EFI-TBI) Engine		1	
-	0090	806582950	OWNERS MANUAL	(Alpha)	1	
-	0090	806584950	OWNERS MANUAL	(Bravo)	1	
-	0090	8232251	SERVICE MANUAL	(1993-1997)	1	
-	0037	805364A1	DECAL SET Color Coding (COLOR CODE)		1	

STARTER MOTOR AND ALTERNATOR



46956

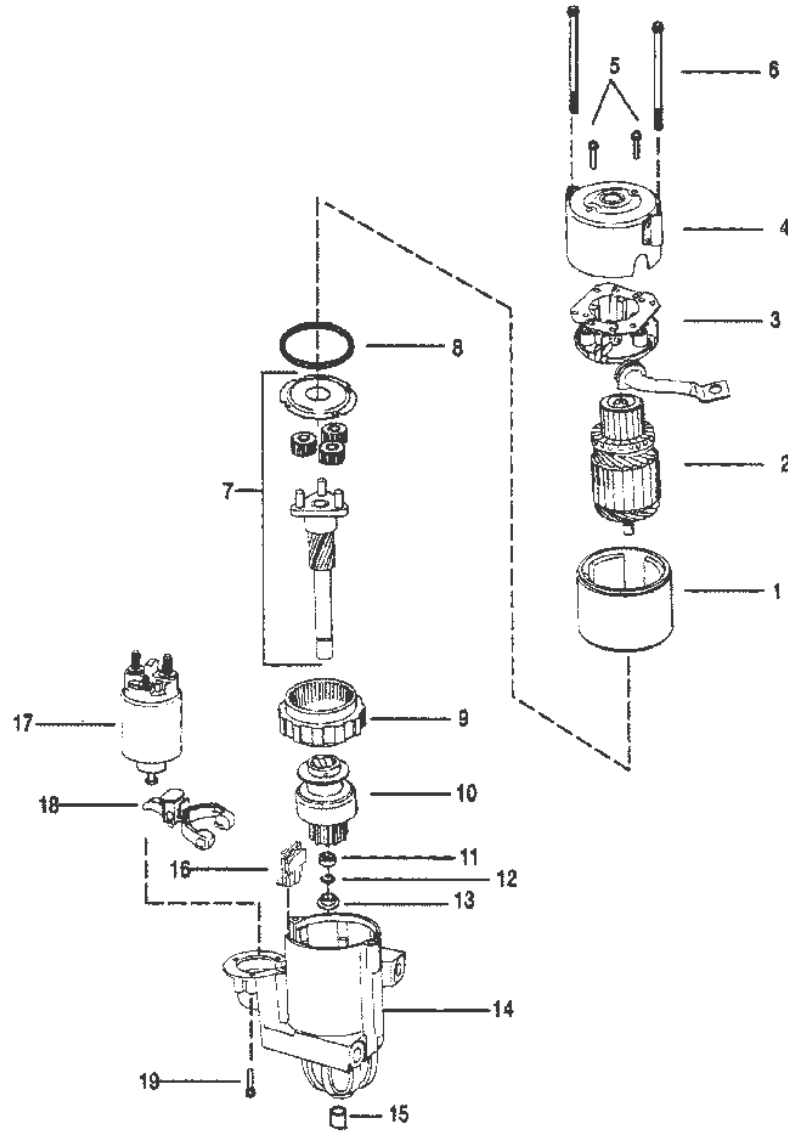
STARTER MOTOR AND ALTERNATOR

Ref #	Part Class	Part Number	Description	Comments	Qty	Note
1	0050	806964A3	STARTER MOTOR ASSEMBLY		1	[1]
2	0010	8053432	SCREW (.375-16 x 4.33)		2	
3	0011	806949	NUT (M8-1.5) (8MM)		1	
4	0011	400211	NUT (M5) Stainless Steel (5MM)		1	
5	0085	79695	BOOT Insulator - Black		1	
6	0088	79023A91	FUSE ASSEMBLY 90 Ampere (90 AMP)		1	
7	0011	21825	NUT (.250-28)		1	
8	0000	805884T	ALTERNATOR		1	
9	0012	96457	WASHER Phenolic (.27 x .81 x .062)		1	
10	0013	26996	LOCKWASHER (#10) Stainless Steel		1	
11	0011	79989	NUT (#10-24) Stainless Steel (10-24)		1	
12	0013	26992	LOCKWASHER (.250) Stainless Steel		1	
13	0011	94330	NUT (.250-20) Brass (1/4-20)		1	
14	0000	5790811	SLEEVE (10.00 Inches Bulk)		2	
15	0000	85013T	BRACE		1	
16	0010	98261	SCREW (.375-16 x .750) (ALPHA ENGINES)		1	
16	0010	26487	SCREW (.375-16 x 1.12) (BRAVO ENGINES)		1	
17	0013	35048	LOCKWASHER (.375) (BRAVO ENGINES)		1	
18	0010	29198	SCREW AND LOCKWASHER (.312-18 x .875)		1	
19	0012	26168	WASHER		1	
20	0000	15083T	BRACKET		1	
21	0010	37612	SCREW (.375-16 x 1.250) (1-1/4")		2	
22	0012	20553	WASHER (.406 x .734 x .063)		2	
21	0010	34353	SCREW (.375-16 x 1.00) (1")		1	
22	0012	20553	WASHER (.406 x .734 x .063)		1	
21	0010	48424	SCREW (.375-16 x 1.620) (1-5/8")		1	
22	0013	35048	LOCKWASHER (.375)		1	
23	0012	46132	WASHER		1	
24	0010	56743	SCREW (.375-24 x 3.125) (3-1/8")		1	
25	0011	23161	NUT (.375-24)		1	

PART NOTES:

- [1] - Alternate part numbers:
806964A 3QS
864340R02Reman

STARTER MOTOR



46957

PAGE 4

73 (ALUMINUM) (73)

REVERSE MARCH 1995

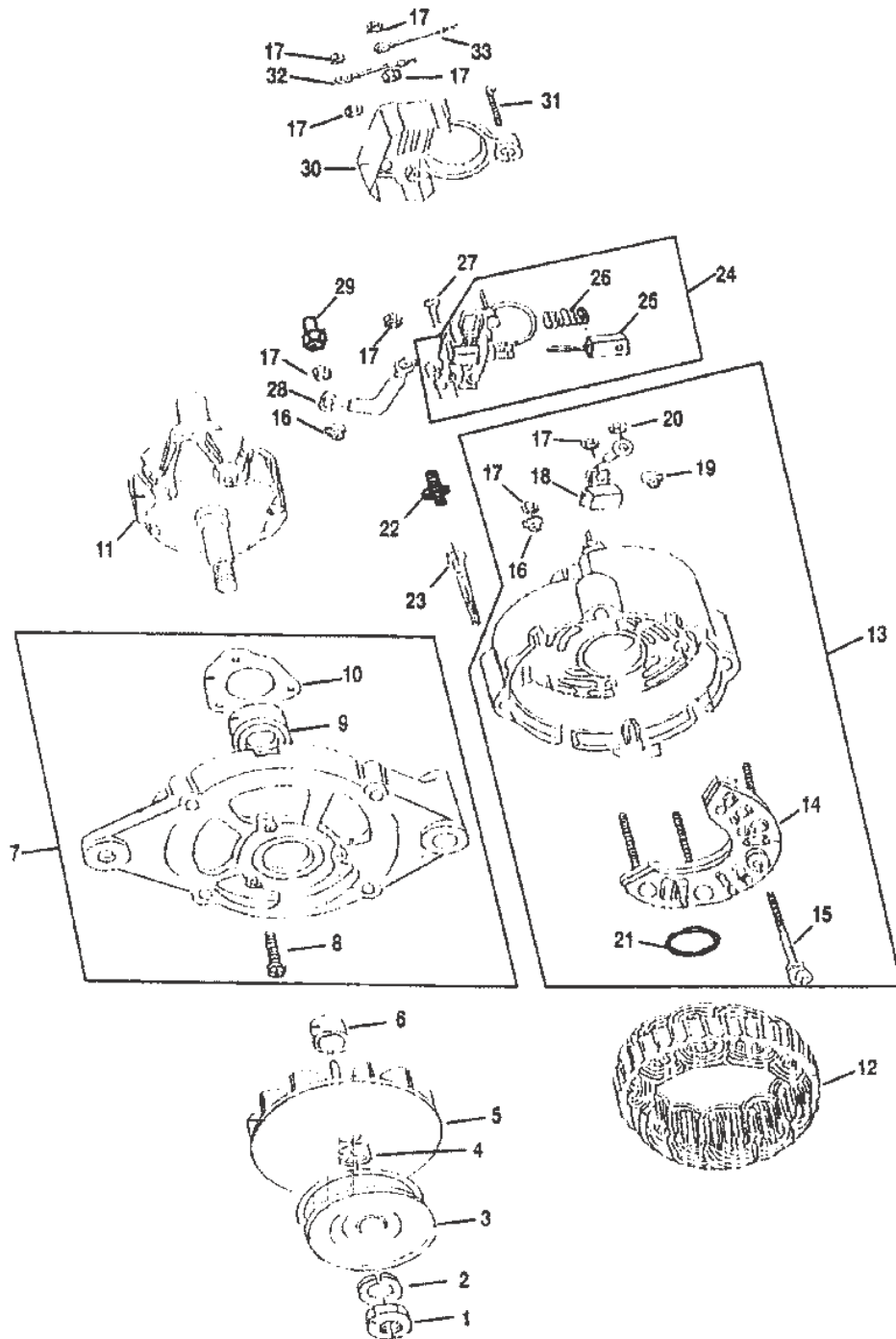
STARTER MOTOR

Ref #	Part Class	Part Number	Description	Comments	Qty	Note
1	0050	806964A3	STARTER MOTOR ASSEMBLY		1	[1]
2		N.S.S.	Not Sold Separate		1	
3		N.S.S.	Not Sold Separate		1	
4		N.S.S.	Not Sold Separate		1	
5		N.S.S.	Not Sold Separate		2	
6		N.S.S.	Not Sold Separate		2	
7		N.S.S.	Not Sold Separate		1	
8		N.S.S.	Not Sold Separate		1	
9		N.S.S.	Not Sold Separate		1	
10		N.S.S.	Not Sold Separate		1	
11	0000	33291	COLLAR		1	
12	0053	33290	RING Retaining		1	
13		N.S.S.	Not Sold Separate		1	
14	0000	809459	HOUSING		1	
15	0023	814476	BUSHING		1	
16		N.S.S.	Not Sold Separate		1	
17	0000	8094631	SOLENOID		1	
18		N.S.S.	Not Sold Separate		1	
19		N.S.S.	Not Sold Separate		3	

PART NOTES:

- [1] - Alternate part numbers:
806964A 3QS
864340R02Reman

ALTERNATOR (MANDO)



46958

PAGE 6

571 (ALTERNADOR) (EPA)

REVISOR: MARCO 1995

ALTERNATOR (MANDO)

Ref #	Part Class	Part Number	Description	Comments	Qty	Note
-	0000	805884T	ALTERNATOR		1	
1	0011	809136	NUT		1	
2	0013	809137	LOCKWASHER		1	
3	0000	809134	PULLEY		1	
4	0023	809135	SPACER		1	
5	0000	809139	FAN ASSEMBLY		1	
6	0023	809140	SPACER		1	
7	0000	809151	BRACKET ASSEMBLY		1	
8	0010	809154	SCREW		3	
9	0030	809153	BEARING		1	
10	0000	809152	RETAINER		1	
11	0000	809150	ROTOR		1	
12	0000	809133	STATOR		1	
13	0000	809155	BRACKET ASSEMBLY		1	
14	0000	809162	RECTIFIER		1	
15	0010	809160	SET SCREW		1	
16	0000	809146	MOLD		2	
17	0011	809143	NUT		8	
18	0000	809161	CONDENSER		1	
19	0000	809158	MOLD		1	
20	0011	809157	NUT		1	
21	0025	809156	O-RING		1	
22	0010	809159	BOLT		1	
23	0010	809138	BOLT		4	
24	0000	809163	REGULATOR ASSEMBLY		1	
25	0000	809164	BRUSH		2	
26	0024	809165	SPRING		2	
27	0010	809141	SCREW		2	
28	0000	809142	TERMINAL		1	
29	0000	809149	CAP		2	
30	0000	809144	COVER		1	
31	0010	809145	SET SCREW		1	
32	0084	809148	LEAD WIRE		1	
33	0084	809147	LEAD WIRE		1	

ALTERNATOR (MANDO)

DISTRIBUTOR AND IGNITION COMPONENTS

Ref #	Part Class	Part Number	Description	Comments	Qty	Note
1	0000	805222A1	DISTRIBUTOR ASSEMBLY		1	
2	0000	808483	CAP		1	[1]
3	0010	808491	SCREW		2	
4	0000	808484	ROTOR		1	[2]
5	0000	808485	SHAFT ASSEMBLY Main		1	
6	0000	808487	RETAINER		1	
7	0000	808486	SHIELD		1	
8	0000	811639	COIL		1	
9	0000	811637	MODULE		1	
10	0010	811638	SCREW		2	
11	0000	811641	POLE PIECE		1	
12	0017	808488	PIN		1	
13	0012	46350	WASHER		1	
14	0012	808489	WASHER		1	
15	0043	808490	GEAR		1	
16	0017	34109	PIN		1	
17	0084	817376T	HARNES ASSEMBLY Distributor Module to Ignition Coil		1	
18	0000	806673T	COIL Ignition		1	
19	0010	86750	SCREW (.312-18 x .620)		2	
20	0016	90096A1	STUD ASSEMBLY (#10-32 x Special)		2	
21	0054	72821	RETAINER		2	
22	0000	54676	RETAINER Two Wire (2 WIRE)		2	
23	0000	32783	RETAINER Three Wire (3 WIRE)		2	
24	0000	32784	RETAINER Four Wire (4 WIRE)		2	
25	0084	816608A70	CABLE KIT Ignition		1	
26	0000	52185	CLAMP		1	
27	0010	805559	SCREW (.375-16 x .875) Stainless Steel		1	
28	0027	344863	GASKET		1	[3]
29	0012	20084	WASHER (.328 x .562 x .062)		2	
30	0033	59571	SPARK PLUG		8	[4]

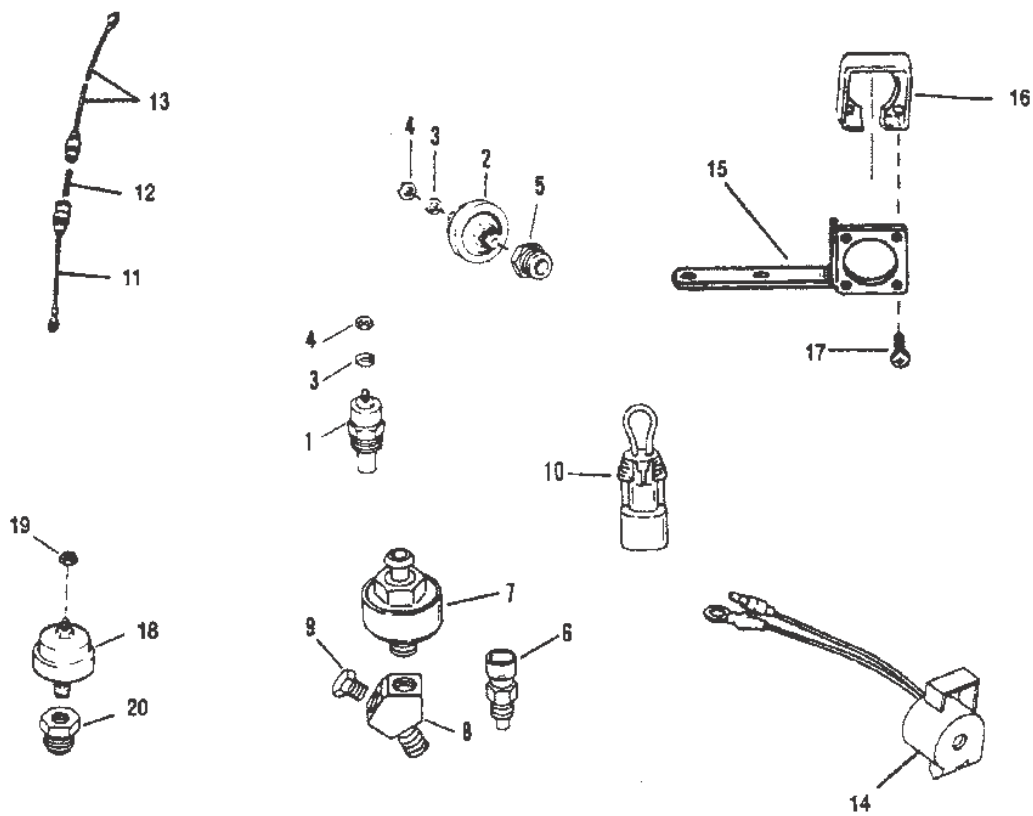
PART NOTES:

- [1] - Alternate part numbers:
808483Service Part
808483K 1MPP Kit
808483Q 1QS Kit
- [2] - Alternate part numbers:
808483K 1MPP Kit
808483Q 1QS Kit
808484Service Part
- [3] - COMPONENT OF ENGINE/POWERHEAD GASKET SET 75611A88

DISTRIBUTOR AND IGNITION COMPONENTS

- [4] - Alternate part numbers:
59571QS
59571BBulk Pack

SENDERS AND SENSORS



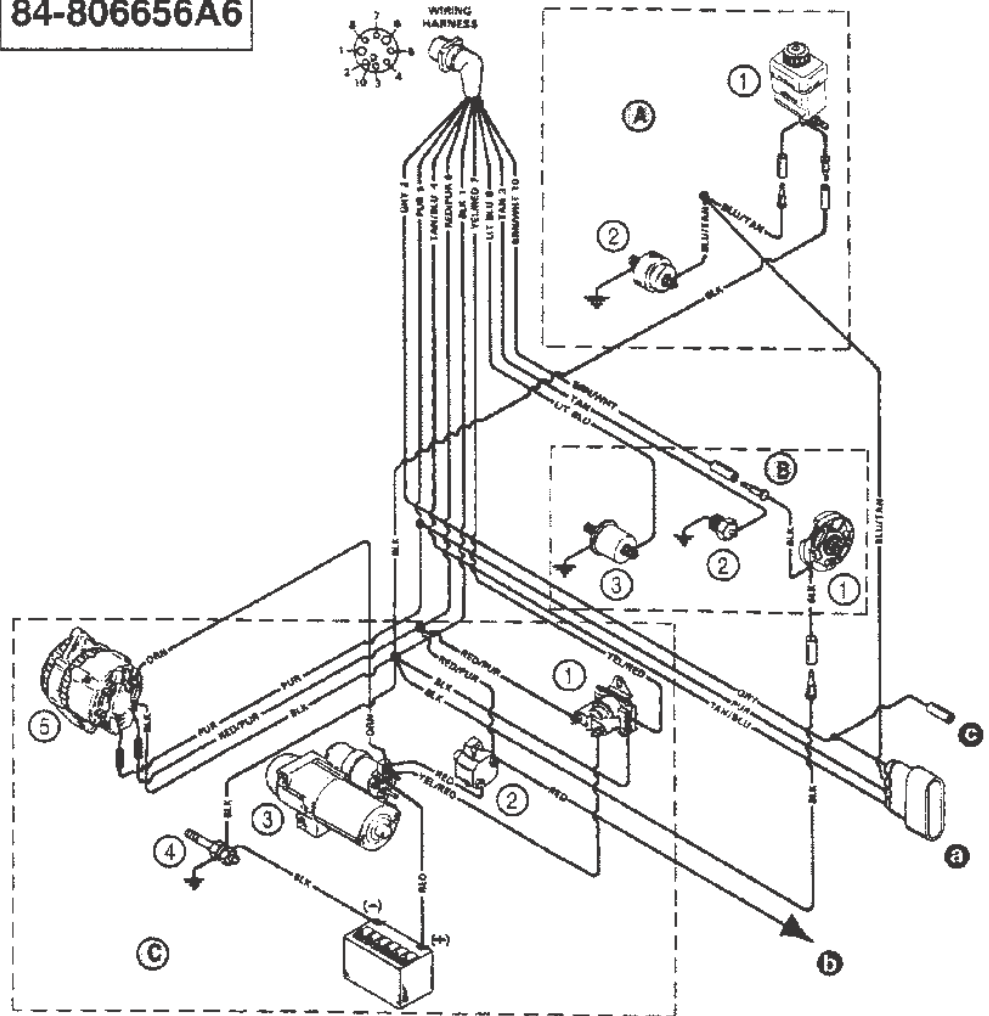
46960

SENDERS AND SENSORS

Ref #	Part Class	Part Number	Description	Comments	Qty	Note
1	0000	97257A1	SENDER ASSEMBLY Water Temperature		1	
1	0000	49734A1	SENDER ASSEMBLY Water Temperature (DUAL)		OPT.	
2	0000	815425	SENDER ASSEMBLY Oil Pressure		1	
2	0000	37293	SENDER ASSEMBLY Oil Pressure (DUAL)		OPT.	
3	0013	26996	LOCKWASHER (#10) Stainless Steel		2	
4	0011	68219	NUT (#10-32) Stainless Steel		2	
5	0022	805059	FITTING		1	
6	0000	805218T	SENSOR		1	
7	0000	806612T	SENSOR Knock		1	
8	0022	806705	Y-FITTING		1	
9	0022	36382	FITTING (.250-18 x .62) Brass		1	
10	0000	805592A1	CONNECTOR ASSEMBLY	BRAVO	1	
11	0084	95084A9	CABLE ASSEMBLY (91.00 Inches) Red/Purple Strip	BRAVO	1	
12	0088	79091	FUSE 20 Ampere	BRAVO	1	
13	0084	95084A10	CABLE ASSEMBLY (5.00 Inches) Red	BRAVO	1	
14	0000	816492A6	ALARM KIT		1	
15	0000	805383T	BRACKET Harness Mounting		1	
16	0000	26079A2	PLATE KIT Wire Harness Mount		1	
17	0010	15001	SCREW (#8-16 x .875)		4	
18	0087	805605A1	SWITCH ASSEMBLY		1	
19	0011	45076	NUT (#10-32) Brass		1	
20	0022	8053281	FITTING Elbow (90 Degree - .125)		1	

WIRING HARNESS (ENGINE) (ILLUSTRATION ONLY)

84-806656A6



A - Audio Warning System

- 1 - Drive Unit Oil Level
- 2 - Oil Pressure Switch

B - Instrumentation System

- 1 - Tirm Sender
- 2 - Water Temperature Sender
- 3 - Oil Pressure Sender

C - Charging and Starting System

- 1 - Starter Slave Solenoid
- 2 - Ciccuit Breaker
- 3 - Starter
- 4 - Ground Stud
- 5 - Alternator

A - Charging and Starting Circuit

- B - Audio Warning/Power Reduction Circuit
- C - Instrumentation Senders

- a - Harness Connector to EFI System Harness
- b - Positive (+) Power Wire to EFI System Harness
- c - Auxiliary Tachometer Lead

46961

Cat.# 90-80950095

WIRING HARNESS (ENGINE) (ILLUSTRATION ONLY)

Ref #	Part Class	Part Number	Description	Comments	Qty	Note
	0084	806656A6	HARNESS ASSEMBLY Engine		1	

WIRING HARNESS (ENGINE) (ILLUSTRATION ONLY)

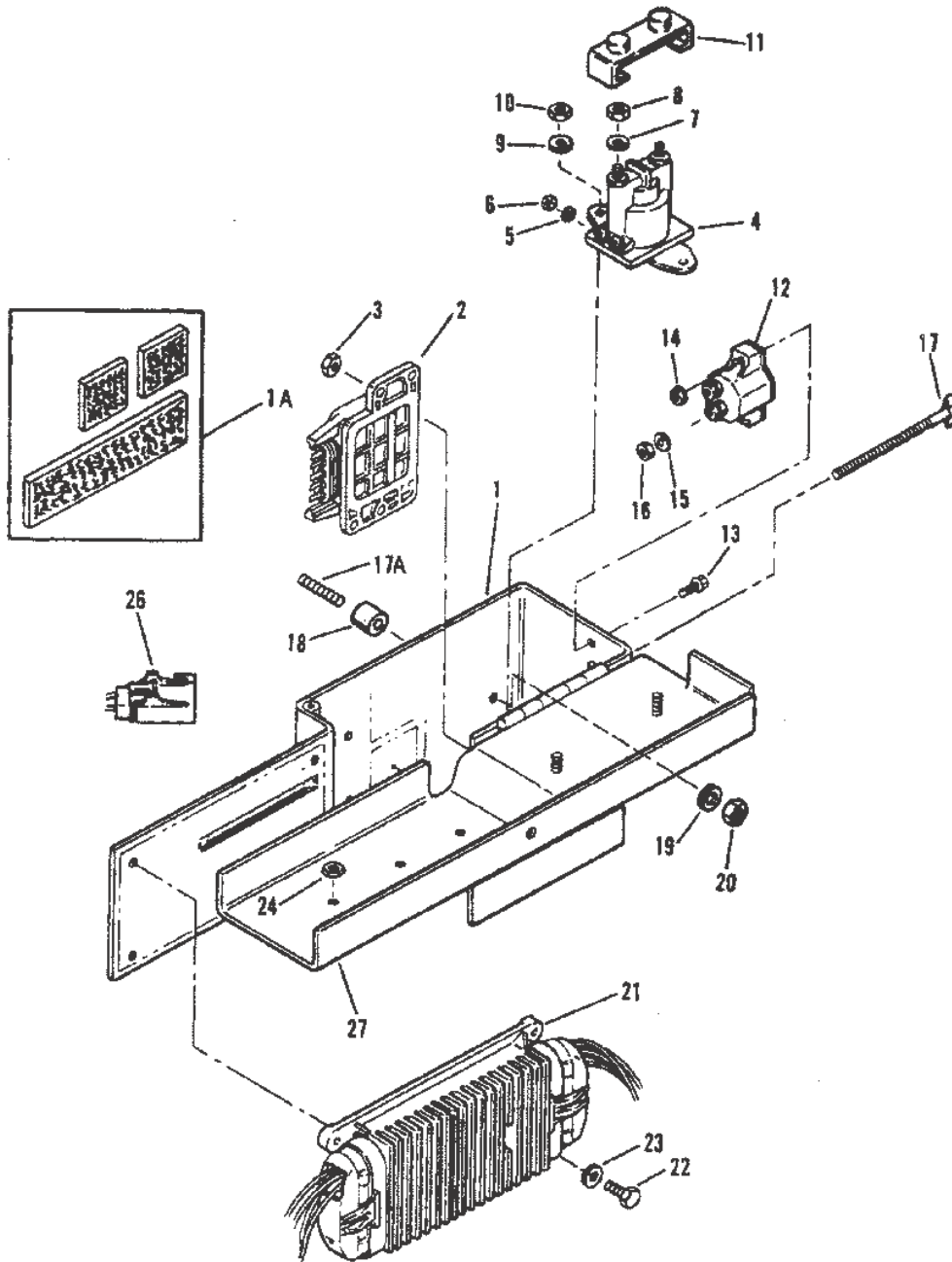
Cat.# 90-80950095

WIRING HARNESS (EFI) (ILLUSTRATION ONLY)

Ref #	Part Class	Part Number	Description	Comments	Qty	Note
	0084	806656A5	HARNESS ASSEMBLY Engine		1	

WIRING HARNESS (EFI) (ILLUSTRATION ONLY)

ELECTRICAL BOX AND COMPONENTS



46963

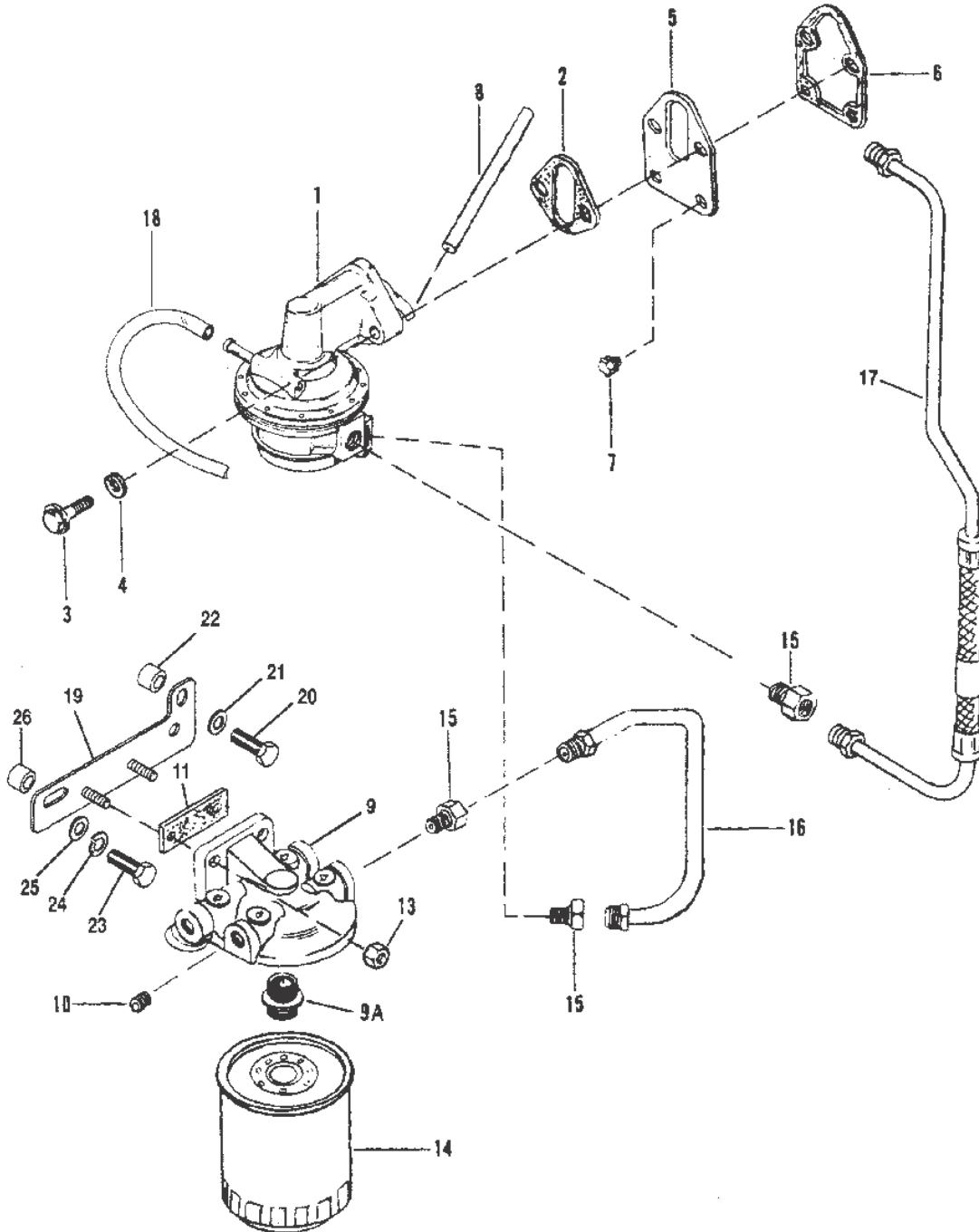
ELECTRICAL BOX AND COMPONENTS

Ref #	Part Class	Part Number	Description	Comments	Qty	Note
1	0000	805439A9	BOX ASSEMBLY Electrical Components - Use With Locking Clip		1	
1A	0000	806762A1	VELCRO KIT		1	
2	0000	806611T	MODULE Knock Control		1	
3	0011	64015	NUT (.250-20)		1	
4	0089	96054	SOLENOID ASSEMBLY Starter		1	
5	0013	26995	LOCKWASHER (#8) Stainless Steel (#8)		2	
6	0011	26419	NUT (#8-32) Brass (8-32)		2	
7	0013	26992	LOCKWASHER (.250) Stainless Steel (1/4")		2	
8	0011	94330	NUT (.250-20) Brass (1/4-20)		2	
9	0012	35462	WASHER (.2656 x .625 x .0625) Stainless Steel		2	
10	0011	64015	NUT (.250-20)		2	
11	0085	97861	INSULATOR		1	
12	0088	11178	BREAKER Circuit - 50 Ampere		1	
13	0010	45862	SCREW (#10-32 x .875)		2	
14	0011	61356	NUT (#10-32) Reduced Hex		2	
15	0013	26996	LOCKWASHER (#10) Stainless Steel		2	
16	0011	68219	NUT (#10-32) Stainless Steel		2	
17	0000	805615A2	THUMB SCREW ASSEMBLY		1	
17A	0010	24323	SET SCREW (.250-20 x 1.25)	ALPHA	3	
18	0023	806981	SPACER	ALPHA	3	
18	0023	92152	SPACER (.27 x .75 x .38)	BRAVO	3	
19	0012	35462	WASHER (.2656 x .625 x .0625) Stainless Steel		3	
20	0011	64015	NUT (.250-20)		3	
21	0000	806720T3	ECM Engine Control Module		1	[1]
22	0010	54615	SCREW (.250-20 x .625)		4	
23	0012	20533	WASHER		4	
26	0000	805704	FUSE 15 Ampere (15 AMP)		1	
26	0000	805703	FUSE 10 Ampere (10 AMP)		1	
27	0000	805439T3	LID Electrical Box		1	

PART NOTES:

- [1] - Alternate part numbers:
806720R 3Reman
806720T 3QS

FUEL PUMP AND FUEL FILTER



46966

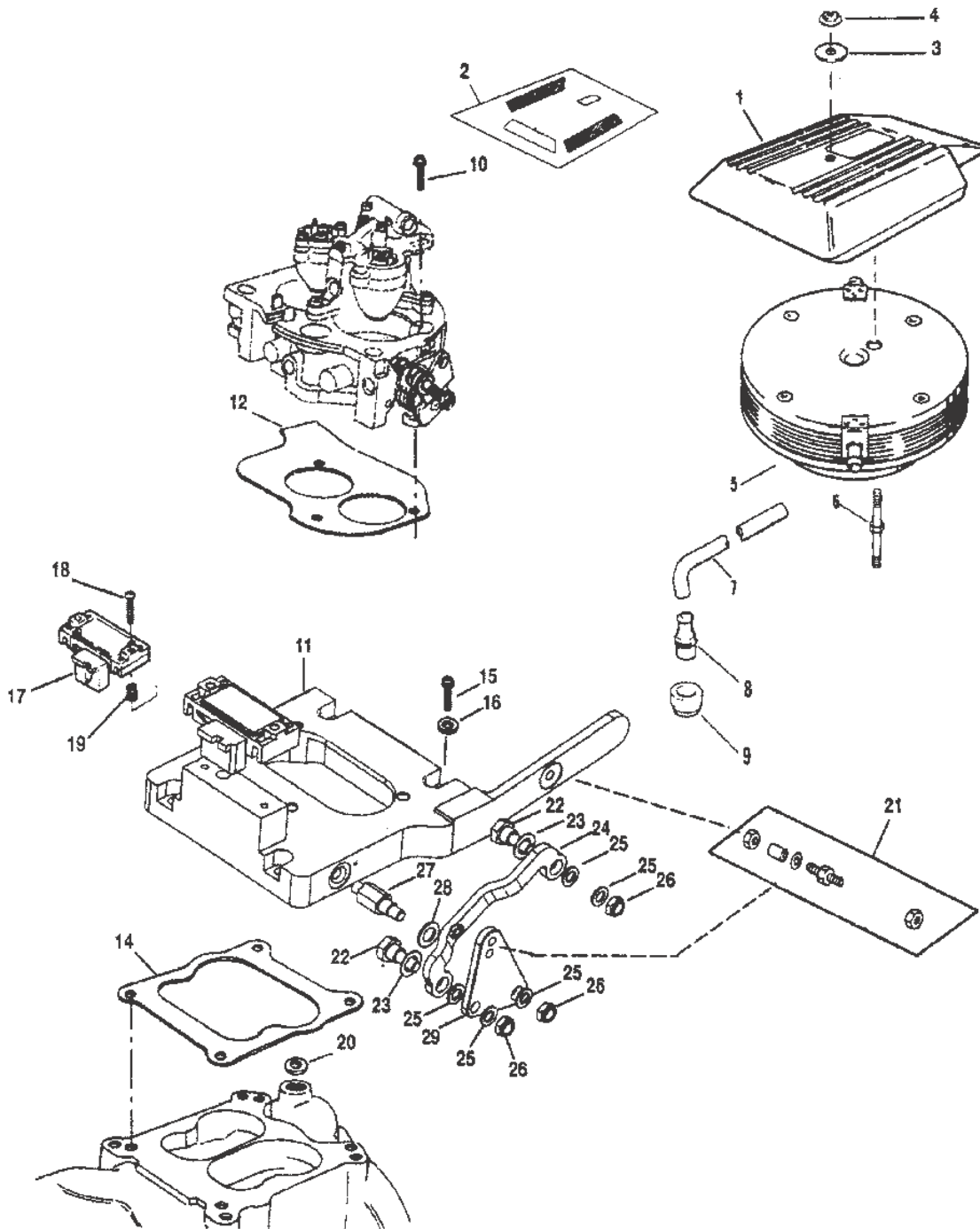
FUEL PUMP AND FUEL FILTER

Ref #	Part Class	Part Number	Description	Comments	Qty	Note
1	0000	97401A8	PUMP ASSEMBLY Fuel		1	
2	0027	34213	GASKET		1	[1]
3	0010	34354	SCREW (.375-16 x 1.50) (1-1/2")		2	
4	0013	35048	LOCKWASHER (.375)		2	
5	0000	35373	MOUNTING PLATE		1	
6	0027	34898	GASKET		1	[1]
7	0010	35366	SCREW		2	
8	0000	821150	PUSH ROD		1	
9	0000	89876A3	BASE ASSEMBLY Fuel Filter/Water Seperator		1	
9A	0022	8161331	FITTING		1	
10	0022	32561	PLUG Pipe - Allen Head (.250-18)		3	
11	0000	88641	INSULATOR		1	
13	0011	35814	NUT (.312-24) Stainless Steel		2	
14	0035	807172	FILTER Fuel/Water Separator		1	[2]
15	0022	33821	CONNECTOR		3	
16	0032	97326T	LINE Fuel		1	
17	0032	806641T	LINE Fuel		1	
18	0032	7381567	TUBING (42.00 Inches Bulk)		1	
19	0000	805367T	BRACKET		1	
20	0010	37612	SCREW (.375-16 x 1.250)		1	
21	0013	35048	LOCKWASHER (.375)		1	
22	0023	91034	SPACER (.380 x 1.00 x .530)		1	
23	0010	26486	SCREW (.375-16 x 2.375)		1	
24	0013	35048	LOCKWASHER (.375)		1	
25	0012	20553	WASHER (.406 x .734 x .063)		1	
26	0023	15895	SPACER (.38 x 1.00 x 1.44)		1	

PART NOTES:

- [1] - COMPONENT OF ENGINE/POWERHEAD GASKET SET 75611A88
- [2] - Alternate part numbers:
802893QQS
802893TMPP
807172Service Part

THROTTLE LINKAGE



46967

THROTTLE LINKAGE

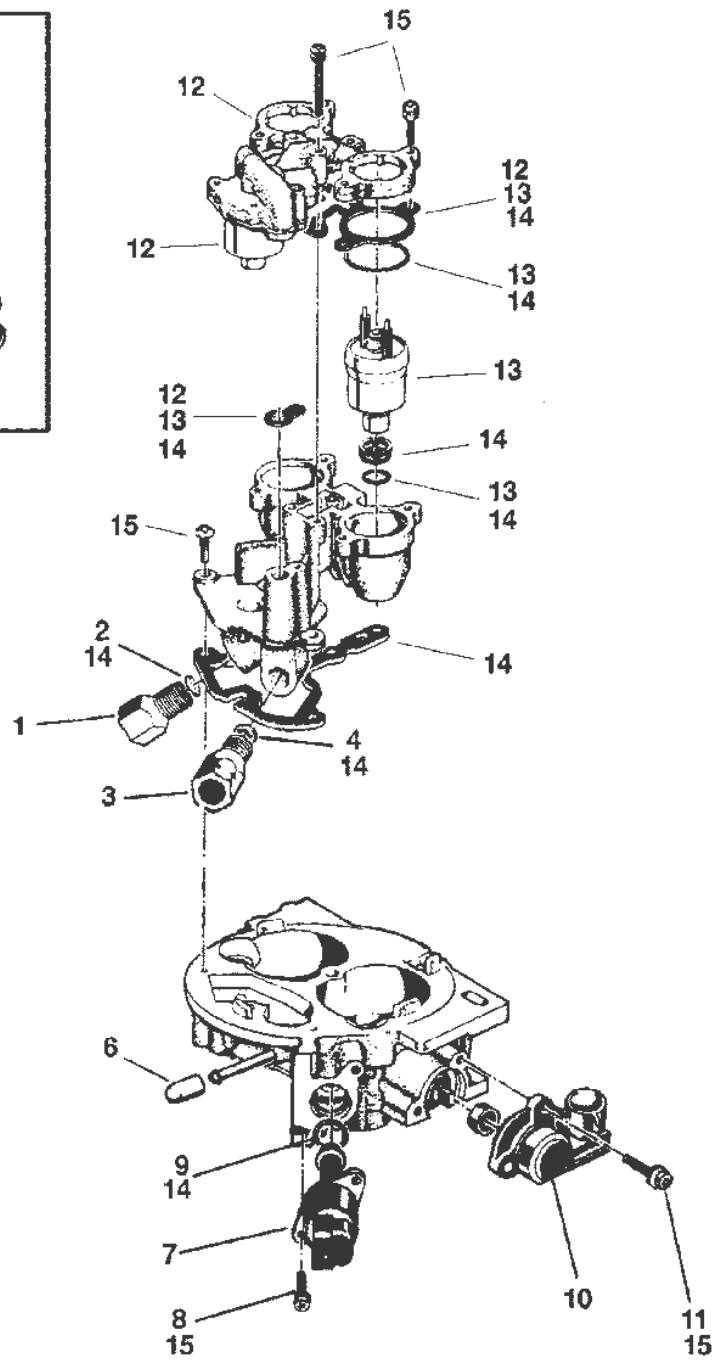
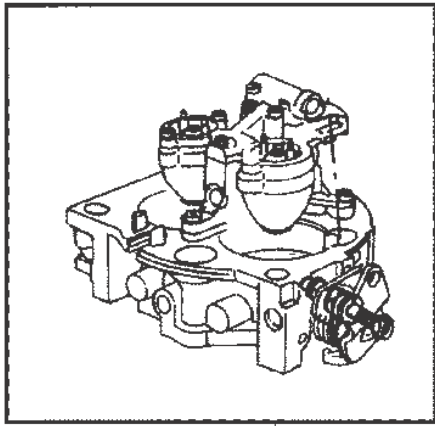
THROTTLE LINKAGE

Ref #	Part Class	Part Number	Description	Comments	Qty	Note
1	0000	18484A3	COVER		1	
2	0037	812776A31	DECAL SET		1	
3	0012	86400	WASHER		1	
4	0011	35045	NUT (.250-28)		1	
5	0000	806637T	FLAME ARRESTOR		1	
6	0016	806703	STUD		1	
7	0032	1589418	HOSE Breather		2	
8	0000	97850	ELBOW 90 Degree Breather - (90 DEGREES)		2	
9	0025	52188	GROMMET		2	
10	0010	805390	SCREW (.312-18 x 2.250)		3	
11	0000	806954A1	ADAPTOR ASSEMBLY TBI		1	
12	0027	806640	GASKET		1	[1]
13	0022	805691	FITTING (.250) Barb		1	
14	0027	524572	GASKET		1	[1]
15	0010	79436	SCREW (.312-18 x 1.250) Stainless Steel		4	
16	0012	843108	WASHER (.330 x .560 x .060) Stainless Steel		4	
17	0000	805217A1	SENSOR ASSEMBLY		1	
18	0010	807120	SCREW (#10-24 x 1.00)		2	
19	0026	805412	SEAL		1	
20	0022	48358	PLUG (.375)		1	
21	0016	97477A3	STUD KIT		2	
22	0010	806946	BOLT		2	
23	0012	91964	WASHER		2	
24	0000	806917T	CONNECTOR		1	
25	0012	20084	WASHER (.328 x .562 x .062)		5	
26	0011	45592	NUT (.312-24)		3	
27	0000	806915	SHAFT		1	
28	0012	79552	WASHER (.453 x .750 x .062) Stainless Steel		1	
29	0000	806916T	PLATE		1	
-	0027	75611A88	GASKET SET Engine Overhaul		1	

PART NOTES:

[1] - COMPONENT OF ENGINE/POWERHEAD GASKET SET 75611A88

THROTTLE BODY

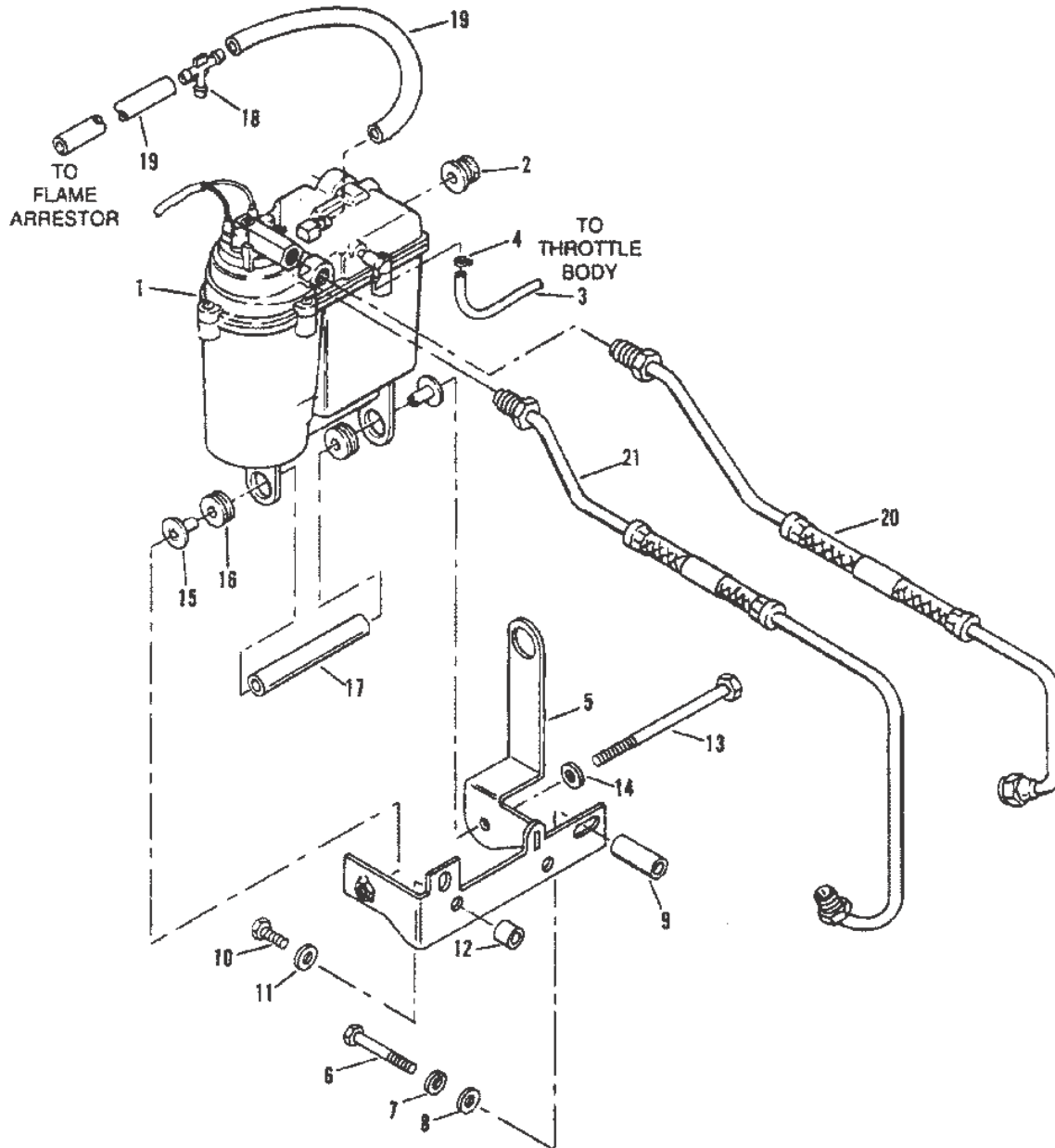


46968

THROTTLE BODY

Ref #	Part Class	Part Number	Description	Comments	Qty	Note
1	0022	806653A1	FITTING ASSEMBLY (INLET)		1	
2	0026	806655	SEAL		1	
3	0022	806654A1	FITTING ASSEMBLY (OUTLET)		1	
4	0026	806706	SEAL		1	
5	0000	806898A1	THROTTLE BODY ASSEMBLY		1	
6	0000	806899	PLUG		1	
7	0000	805224A1	MOTOR ASSEMBLY IAC		1	
8	0010	805400	SCREW (#8-32 x .500) Stainless Steel		2	
9	0025	808547	O-RING		1	
10	0000	805226A1	SENSOR ASSEMBLY TPS		1	
11	0010	805400	SCREW (#8-32 x .500) Stainless Steel		2	
12	0000	852955	REGULATOR KIT Fuel Pressure FUEL PRESSURE		1	
13	0000	852956A1	INJECTOR KIT		1	
14	0027	852957	GASKET KIT Overhaul OVERHAUL		1	
15	0010	852958	SCREW KIT		1	

VAPOR SEPARATOR TANK AND FUEL LINES



46969

PAGE 27

FOR ALL SHARDOROVEN

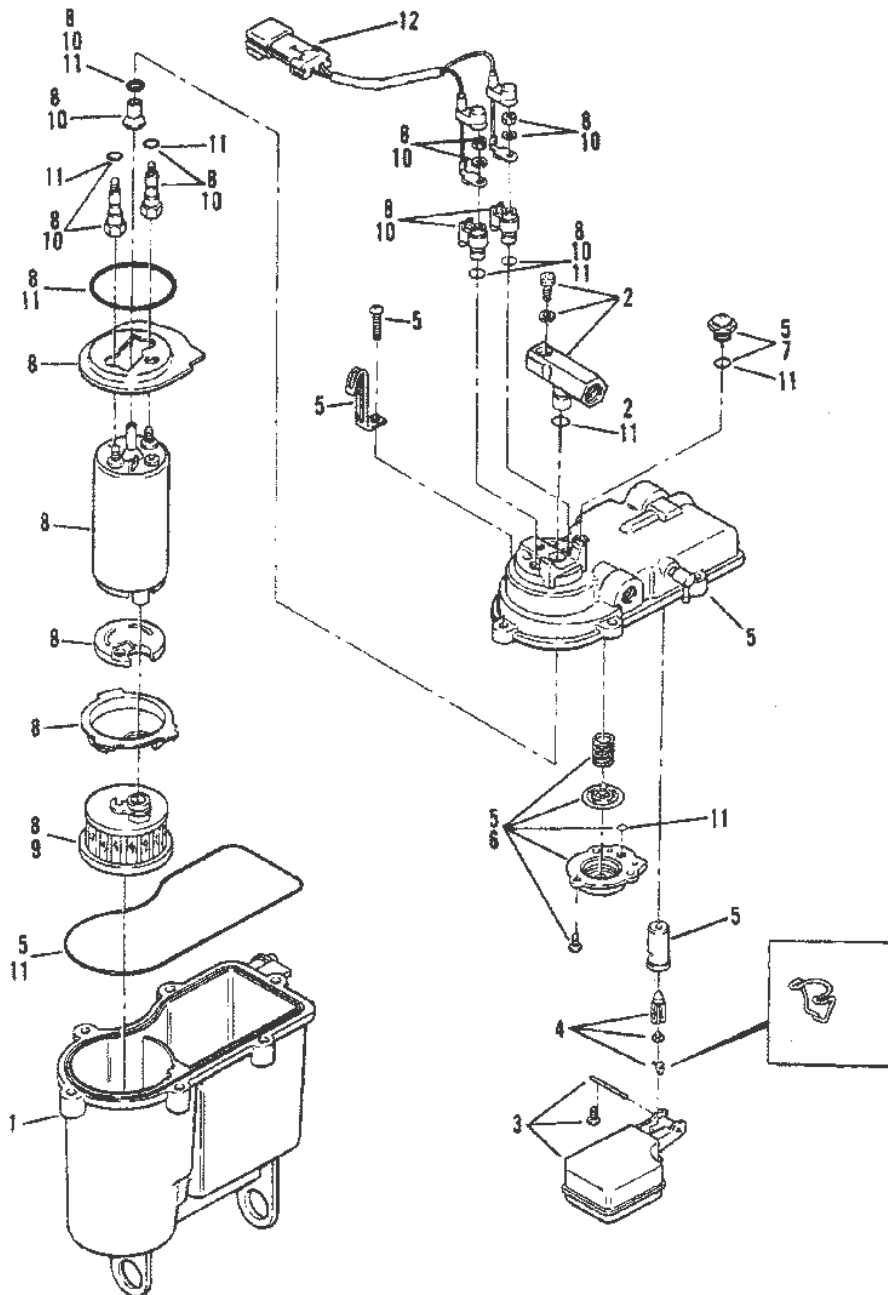
REVISOR: MARCO 1997

VAPOR SEPARATOR TANK AND FUEL LINES

VAPOR SEPARATOR TANK AND FUEL LINES

Ref #	Part Class	Part Number	Description	Comments	Qty	Note
1	0000	806643A5	TANK Vapor Separator		1	
2	0025	880331	GROMMET		1	
3	0032	80568932	HOSE		1	
4	0054	815504105	CLAMP Worm Gear (11-18 mm)		2	
5	0000	806645T	BRACKET		1	
6	0010	26486	SCREW (.375-16 x 2.375)		1	
7	0013	35048	LOCKWASHER (.375)		1	
8	0012	20553	WASHER (.406 x .734 x .063)		1	
9	0023	15895	SPACER (.38 x 1.00 x 1.44) (1-7/16")		1	
10	0010	37612	SCREW (.375-16 x 1.250)		1	
11	0013	35048	LOCKWASHER (.375)		1	
12	0023	91034	SPACER (.380 x 1.00 x .530) (1/2")		1	
13	0010	807056	SCREW		1	
14	0012	26825	WASHER (.328 x .750 x .06)		1	
15	0023	19064	BUSHING		2	
16	0025	88033	GROMMET		2	
17	0023	806648	SPACER		1	
18	0022	806689	FITTING Tee		1	
19	0032	7381567	TUBING (42.00 Inches Bulk)		2	
20	0032	806630T	LINE Fuel (OUTLET)		1	
21	0032	806700T	LINE Fuel (INLET)		1	

VAPOR SEPARATOR TANK



46970

PAGE 24

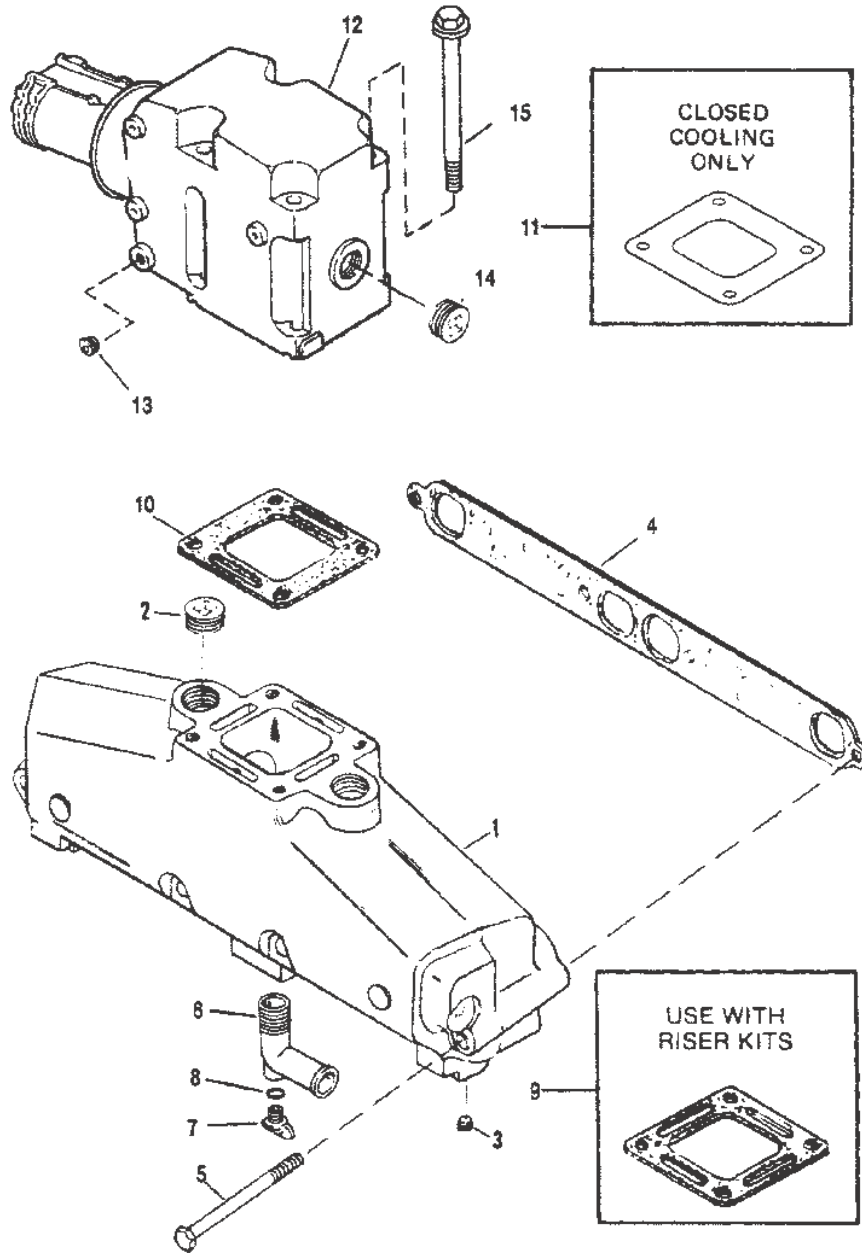
FOR (A) SHOWN (OVER)

FOR (B) SHOWN (OVER)

VAPOR SEPARATOR TANK

Ref #	Part Class	Part Number	Description	Comments	Qty	Note
1	0000	806643A5	TANK Vapor Separator		1	
2	0000	808502	L-JOINT KIT		1	
3	0000	808506	FLOAT KIT		1	
4	0000	808507	FLOAT VALVE KIT		1	
5	0000	827681	TOP COVER KIT		1	
6	0000	808509	DIAPHRAGM KIT		1	
7	0000	808501	PLUG KIT		1	
8	0000	827682	PUMP KIT Fuel		1	
9	0000	808504	STRAINER KIT Fuel		1	
10	0000	808503	CONNECTOR KIT Electrical		1	
11	0000	808500	O-RING KIT		1	
12	0000	827683	HARNESS KIT		1	

EXHAUST MANIFOLD AND EXHAUST ELBOW (ALPHA)



46971

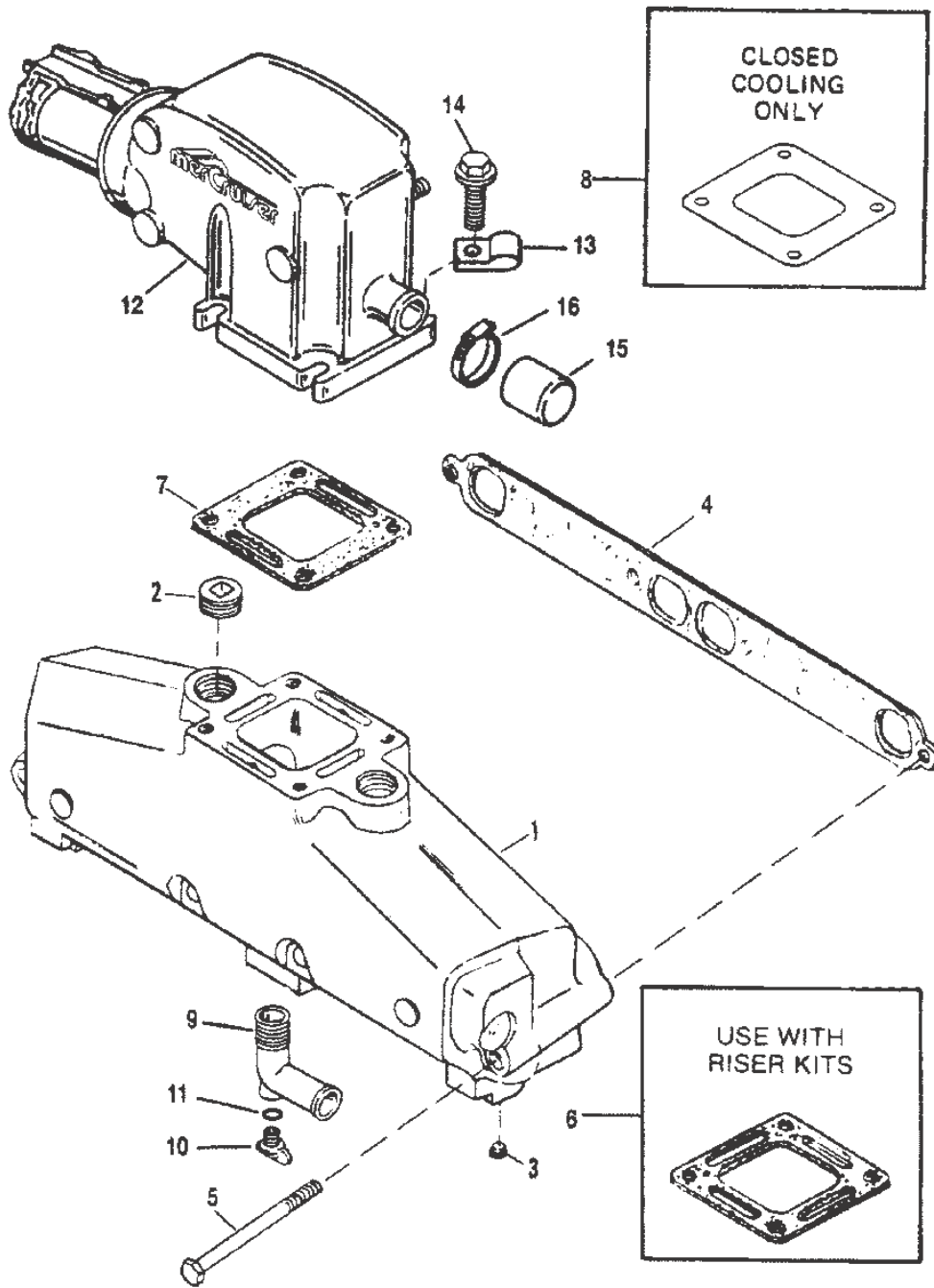
EXHAUST MANIFOLD AND EXHAUST ELBOW (ALPHA)

Ref #	Part Class	Part Number	Description	Comments	Qty	Note
1	0000	87114A19	MANIFOLD ASSEMBLY Exhaust		2	
2	0022	33198A1	PLUG (3/4-14)		AR	
3	0022	36382	FITTING (.250-18 x .62) Brass		4	
4	0027	33395	GASKET		2	[1]
5	0010	53728	SCREW (.375-16 x 4.75) (4-5/8"		8	
6	0022	806926A1	ELBOW KIT Drain		2	
7	0022	806608A1	PLUG KIT (.500-13) Royal Blue		2	[2]
8	0025	806609	QUAD RING		2	
9	0027	818832	GASKET (USE WITH RISER KITS)		2	
10	0027	41813	GASKET (STANDARD COOLING)		2	[1]
11	0027	41811	GASKET (CLOSED COOLING)		2	[1]
12	0000	44354A3	ELBOW ASSEMBLY Exhaust (7 DEGREES)		2	
13	0022	36382	FITTING (.250-18 x .62) Brass		2	
14	0022	33198A1	PLUG (3/4-14)		2	
15	0010	43749	SCREW (.375-16 x 5.750) (5-3/4"		8	
-	0000	93320A7	RISER KIT Exhaust (3.00 Inch) (3"	EACH KIT CONTAINS 2 RISERS	1	
-	0000	93322A5	RISER KIT Exhaust (6.00 Inch) (6"	EACH KIT CONTAINS 2 RISERS	1	
-	0027	75611A88	GASKET SET Engine Overhaul		1	

PART NOTES:

- [1] - COMPONENT OF ENGINE/POWERHEAD GASKET SET 75611A88
- [2] - Alternate part numbers:
806608A 1Service Part
806608Q01QS

EXHAUST MANIFOLD AND EXHAUST ELBOW (BRAVO)



46973

EXHAUST MANIFOLD AND EXHAUST ELBOW (BRAVO)

Ref #	Part Class	Part Number	Description	Comments	Qty	Note
1	0000	87114A19	MANIFOLD ASSEMBLY Exhaust		2	
2	0022	33198A1	PLUG (3/4-14)		AR	
3	0022	36382	FITTING (.250-18 x .62) Brass		4	
4	0027	33395	GASKET		2	[1]
5	0010	53728	SCREW (.375-16 x 4.75) (4-5/8")		8	
6	0027	818832	GASKET (USE WITH RISER KITS)		2	
7	0027	41813	GASKET (STANDARD COOLING)		2	[1]
8	0027	41811	GASKET (CLOSED COOLING)		2	[1]
9	0022	806926A1	ELBOW KIT Drain		2	
10	0022	806608A1	PLUG KIT (.500-13) Royal Blue		2	[2]
11	0025	806609	QUAD RING		2	
12	0000	816900A5	ELBOW ASSEMBLY Exhaust (PORT)		1	
12	0000	816900A9	ELBOW ASSEMBLY (STARBOARD)		1	
13	0054	73668	J-CLIP (PORT)		1	
14	0010	98534	SCREW (.375-16 x 2.30) (2-1/4")		2	
14	0010	12244	SCREW (.375-16 x 1.00) (1")		6	
15	0019	805727	CAP Rubber		2	
16	0054	815504220	CLAMP Worm Gear		2	
-	0000	93320A7	RISER KIT Exhaust (3.00 Inch) (3")	EACH KIT CONTAINS 2 RISERS	1	
-	0000	93322A5	RISER KIT Exhaust (6.00 Inch) (6")	EACH KIT CONTAINS 2 RISERS	1	
-	0027	75611A88	GASKET SET Engine Overhaul		1	

PART NOTES:

- [1] - COMPONENT OF ENGINE/POWERHEAD GASKET SET 75611A88
- [2] - Alternate part numbers:
806608A 1Service Part
806608Q01QS

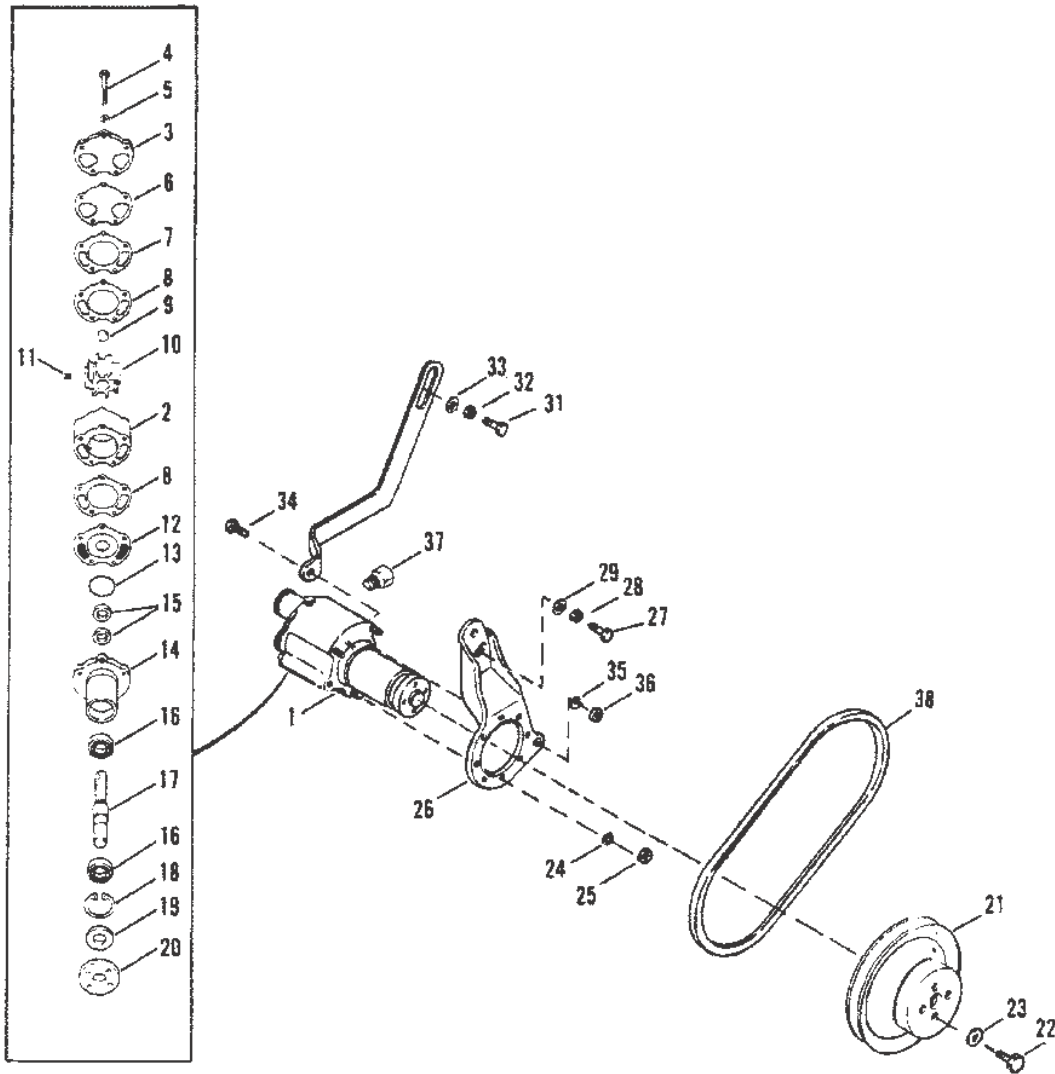
THERMOSTAT HOUSING (STANDARD COOLING)

Ref #	Part Class	Part Number	Description	Comments	Qty	Note
1	0000	806235A1	HOUSING ASSEMBLY Thermostat		1	
2	0022	32803	PLUG Pipe (.375-18) Brass		2	
3	0027	806871	GASKET		1	[1]
4	0027	530451	GASKET		1	[2]
5	0000	8072522	THERMOSTAT 71°C (160°F)		1	[3]
6	0023	806922	SLEEVE		1	
7	0010	98794	SCREW (.375-16 x 1.00)		2	
8	0054	815504220	CLAMP Worm Gear		AR	
10	0032	887952	HOSE (BRAVO)		1	
11	0032	806856	HOSE		1	
12	0032	806825	HOSE		1	
13	0054	815504232	CLAMP Worm Gear (2.50 Diameter)		2	
14	0032	8066351	HOSE (PORT)		1	
15	0032	8066361	HOSE (STARBOARD)		1	
16	0054	47715	CLIP		1	
17	0011	29250	NUT (.312-24)		1	
18	0000	99356A2	COOLER ASSEMBLY		1	
19	0000	65970T1	BRACKET		1	
20	0010	41408	SCREW (#10-32 x 1.50)		1	
21	0032	96246A4	HOSE (ALPHA)		1	
-	0027	75611A88	GASKET SET Engine Overhaul		1	

PART NOTES:

- [1] - COMPONENT OF ENGINE/POWERHEAD GASKET SET 75611A88
- [2] - Alternate part numbers:
53045 1Service Part
53045Q01QS
COMPONENT OF ENGINE/POWERHEAD GASKET SET 75611A88
- [3] - Alternate part numbers:
807252 2Service Part
807252Q 5QS Kit
807252T 5MPP Kit

SEA WATER PUMP ASSEMBLY

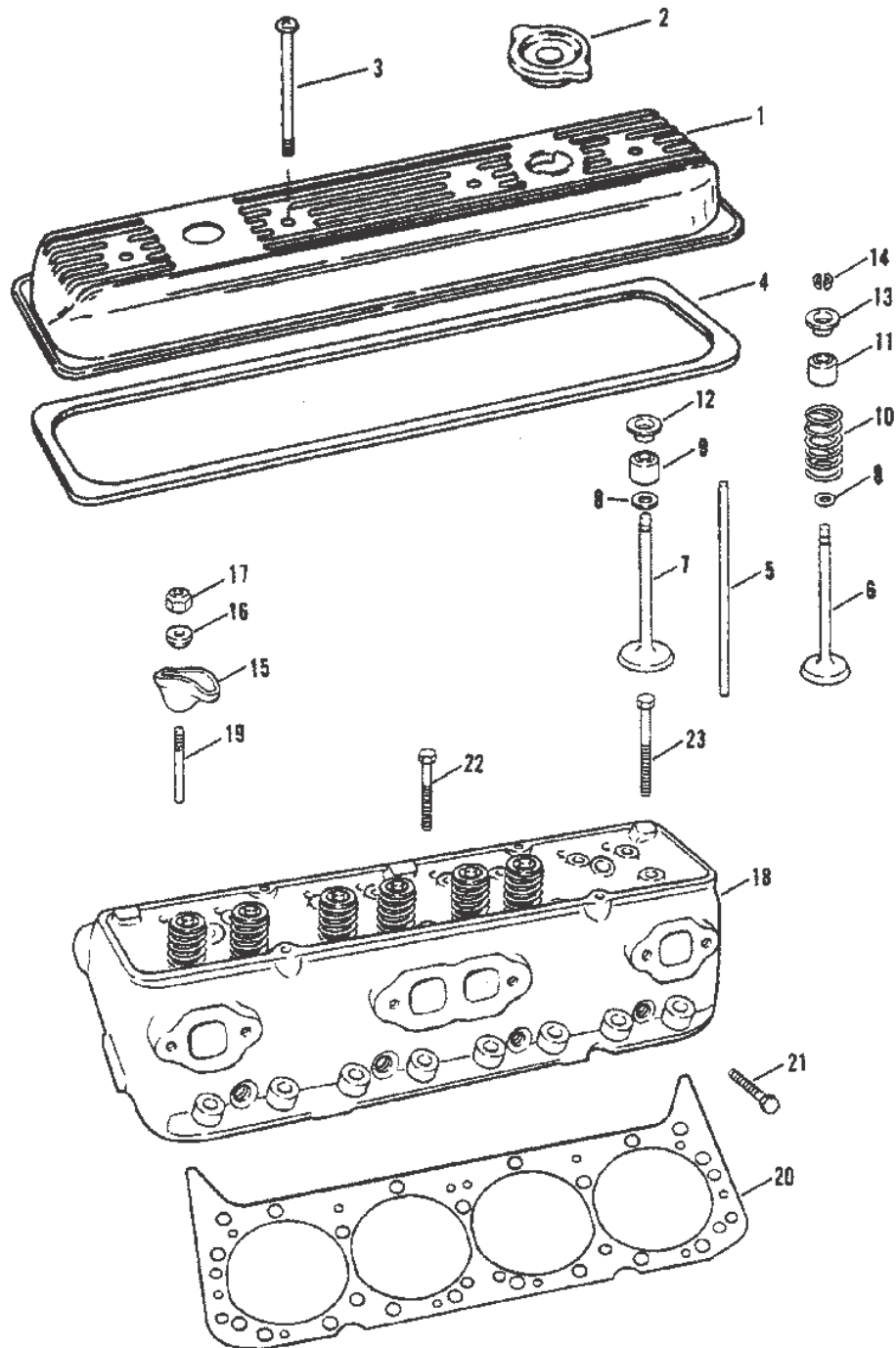


46975

SEA WATER PUMP ASSEMBLY

Ref #	Part Class	Part Number	Description	Comments	Qty	Note
1	0046	72774A50	PUMP ASSEMBLY Sea Water - Complete		1	
2	0046	807151A14	BODY/IMPELLER KIT		1	
3	0000	87631A4	COVER KIT		1	
4	0010	73275	SCREW (.312-18 x 2.88) (2-7/8")		2	
4	0010	99347	SCREW (.312-18 x 3.75) (3-3/4")		3	
5	0012	20084	WASHER (.328 x .562 x .062)		5	
6	0027	8052151	GASKET		1	
7	0000	94916	WEAR PLATE		1	
8	0027	94914	GASKET		2	
9	0019	59504	PLUG		1	
10	0047	593621	IMPELLER		1	
11	0028	56662	KEY (USE WHERE APPLICABLE)		1	
12	0000	94576	WEAR PLATE		1	
13	0025	94288	QUAD RING		1	
14	0046	94913A2	HOUSING ASSEMBLY Water Pump		1	
15	0026	90562	SEAL (1.254 x .312)		2	
16	0030	72961	BEARING Ball		2	
17	0000	59501A1	SHAFT		1	
18	0053	23720	RING Retaining		1	
19	0026	72785	SEAL		1	
20	0000	47530	HUB		1	
21	0000	52822T	PULLEY		1	
22	0010	47277	SCREW (.312-24 x .750) (3/4")		4	
23	0013	39107	LOCKWASHER (.312-24)		4	
24	0013	39107	LOCKWASHER (.312-24)		3	
25	0011	21908	NUT (.312-18) Cad Plated		3	
26	0000	89535T1	BRACKET		1	
27	0010	34353	SCREW (.375-16 x 1.00) (1")		2	
28	0013	35048	LOCKWASHER (.375)		2	
29	0012	34714	WASHER		1	
30	0000	896091	BRACE		1	
31	0010	34353	SCREW (.375-16 x 1.00) (1")		1	
32	0013	35048	LOCKWASHER (.375)		1	
33	0012	34714	WASHER		1	
34	0010	35786	SCREW (.375-24 x 1.00) (1")		1	
35	0013	35048	LOCKWASHER (.375)		1	
36	0011	46335	NUT (.375-24)		1	
37	0022	32802	PLUG Pipe (.125-27) (FOR WATER PUMP BODY)		1	
38	0057	13457T	BELT		1	

CYLINDER HEAD AND ROCKER COVER



46977

CYLINDER HEAD AND ROCKER COVER

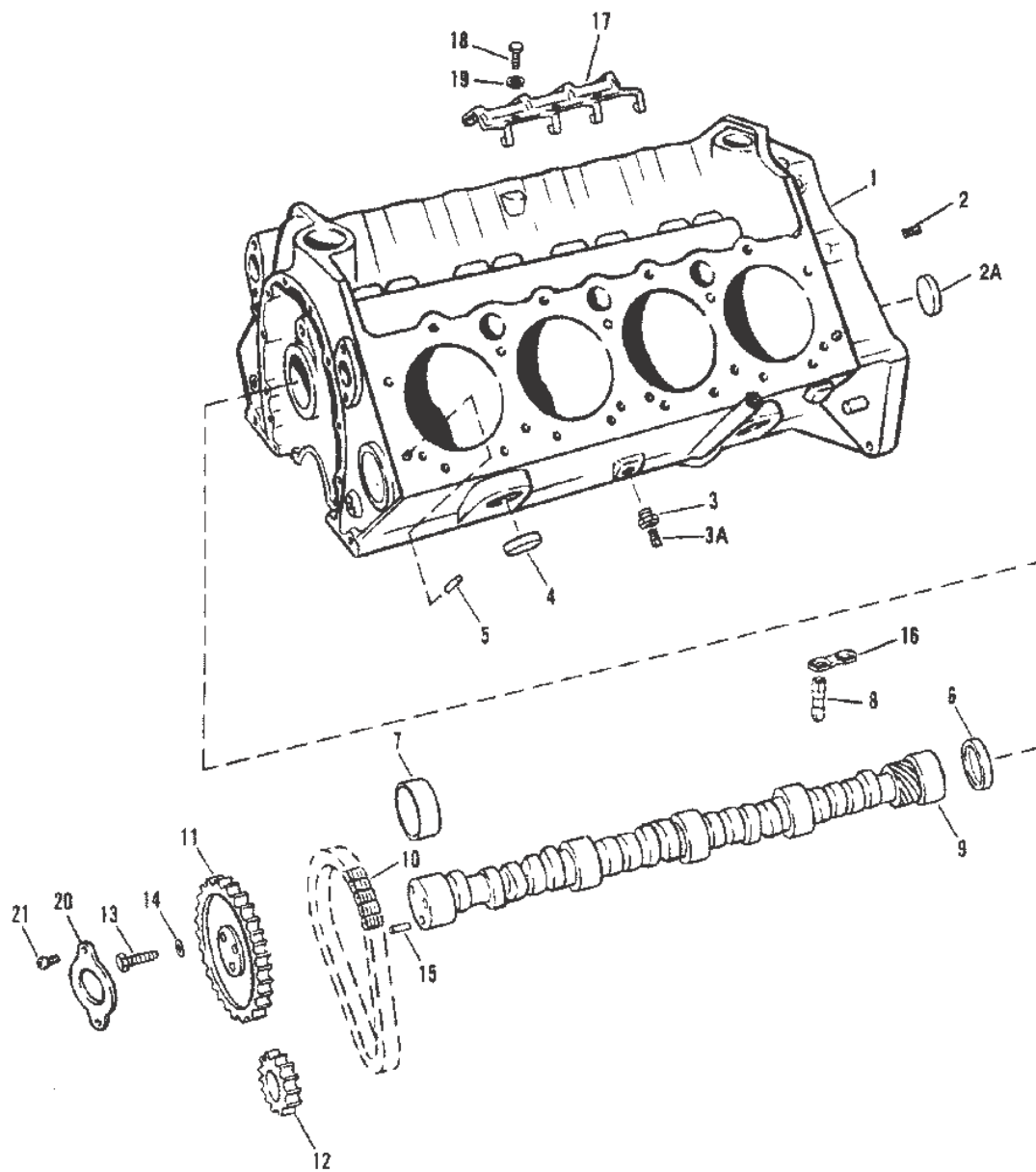
CYLINDER HEAD AND ROCKER COVER

Ref #	Part Class	Part Number	Description	Comments	Qty	Note
1	0000	814505A1	ROCKER COVER		2	
2	0036	18710	CAP Metal Rocker Cover		2	
3	0010	17344	SCREW		8	
4	0027	17467	GASKET Rocker Cover		2	[1]
5	0000	17339	PUSH ROD		16	
6	0000	87284	VALVE (STANDARD)		8	
6	0000	87301	VALVE (.015 O.S.)		AR	
7	0000	97661	VALVE Intake-Standard Intake (STANDARD)		8	
7	0000	97662	VALVE Intake (.015 O.S.)		AR	
8	0026	34217	SEAL (INLET AND EXHAUST)		16	[1]
9	0026	97664	SEAL (INLET)		8	[1]
9	0026	852936	SEAL (EXHAUST)		8	
10	0024	48347	SPRING (INLET AND EXHAUST)		16	
11	0000	34518	SHIELD		16	
12	0000	48348	CAP		8	
13	0000	11965	ROTATOR (EXHAUST)		8	
14	0028	54797	KEY		32	
15	0000	35329	ARM KIT Rocker		16	
16	0000	35331	BALL Rocker Arm		16	
17	0011	34516	NUT		16	
18	0938	9718	CYLINDER HEAD ASSEMBLY		2	
19	0016	34522	STUD (.003 O.S.)		AR	
19	0016	34521	STUD (.013 O.S.)		AR	
20	0027	75611	GASKET		2	[1]
21	0010	11968	SCREW (.437-14 x 1.750) (1-3/4")		16	
22	0010	11967	BOLT (3 In.) (3")		4	
23	0010	11966	SCREW (.437-14 x 3.750) (3-3/4")		14	
-	0027	75611A88	GASKET SET Engine Overhaul		1	

PART NOTES:

[1] - COMPONENT OF ENGINE/POWERHEAD GASKET SET 75611A88

CYLINDER BLOCK AND CAMSHAFT



46978

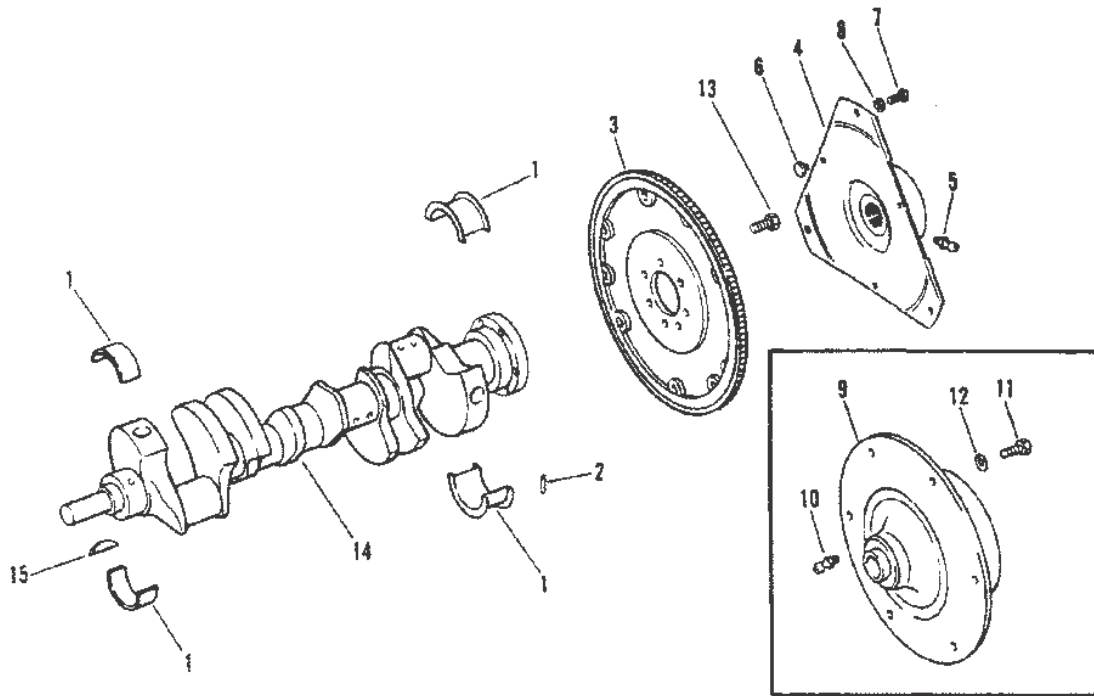
CYLINDER BLOCK AND CAMSHAFT

Ref #	Part Class	Part Number	Description	Comments	Qty	Note
1	0841	9717	CYLINDER BLOCK ASSEMBLY	(Includes only standard pistons, piston rings, crankshaft bearings and camshaft bearings)	1	
2	0022	48340	PLUG (.250-18 x .41) (1/4")		3	
2A	0019	816565	PLUG Cup (.468) (15/32")		5	
3	0022	48556	BUSHING Reducer (.250 To .125)		2	
3A	0022	32802	PLUG Pipe (.125-27)		2	
4	0019	34270	EXPANSION PLUG (1.625) Expansion (1-5/8" DIA.)		8	
5	0017	35465	PIN Dowel (.312) Dowel (5/16" DIA.)		4	
6	0022	72640	PLUG Expansion		1	
7	0023	85674	BEARING SET (SET)		1	
8	0000	17340	LIFTER		16	
9	0431	811658	CAMSHAFT		1	
10	0000	11985	TIMING CHAIN		1	
11	0043	811659	SPROCKET		1	
12	0043	42755	SPROCKET		1	
13	0010	34505	SCREW (.312-18 x .875) (3/4")		3	
14	0012	848136	WASHER (.328 x .680 x .190)		3	
15	0017	35312	PIN Dowel (1/4 In. Diameter)		1	
16	0000	17341	GUIDE Lifter		8	
17	0000	811662	RETAINER Lifter Guide		1	
18	0010	34500	SCREW (.312-18 x .625)		3	
19	0012	811664	WASHER (.3125 Inch)		3	
20	0000	811663	RETAINER		1	
21	0010	17343	SCREW (.250-20 x .500)		2	
-	0027	75611A88	GASKET SET Engine		1	
-	0092	916011	SEALER Red RTV (WHERE APPLICABLE)		1	
-	0092	342271	SEALING COMPOUND (16 Ounce) (WHERE APPLICABLE)		1	
-	0000	821151A1	MARINE LONG BLOCK ENGINE	(Includes Internal Parts and Cylinder Heads)	1	[1]

PART NOTES:

- [1] - Alternate part numbers:
807447R 5Reman Plat.
807447R50Reman Int'l
821151A 1QS
891782R01Reman

CRANKSHAFT AND FLYWHEEL

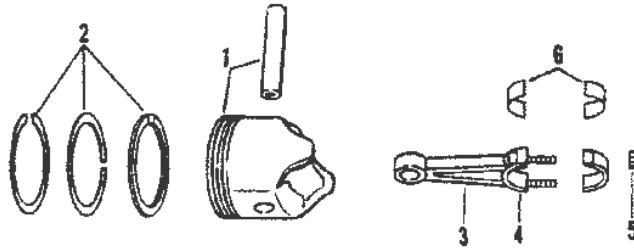


46979

CRANKSHAFT AND FLYWHEEL

Ref #	Part Class	Part Number	Description	Comments	Qty	Note
1	0023	818465	BEARING SET 5 Pair (STANDARD)		1	
1	0023	818466	BEARING SET 5 Pair (.001 USA)		AR	
1	0023	818467	BEARING SET 5 Pair (.010 USA)		AR	
1	0023	818468	BEARING SET 5 Pair (.020 USA)		AR	
2	0017	35312	PIN Dowel (1/4 In. Diameter) (1/4" DIA.)		2	
3	0222	9520	FLYWHEEL		1	
4	0000	18643A5	COUPLING ASSEMBLY	ALPHA	1	
5	0022	74036	FITTING Grease	ALPHA	1	
6	0000	18644	BUMPER Rubber	ALPHA	3	
7	0010	14883	SCREW (.375-16 x 1.12)	ALPHA	3	
8	0012	13510	WASHER	ALPHA	3	
9	0000	18311A17	COUPLER ASSEMBLY Engine	BRAVO	1	
10	0022	49099	FITTING	BRAVO	2	
11	0010	14883	SCREW (.375-16 x 1.12)	BRAVO	6	
12	0012	20572	WASHER (.390 x .750 x .093)	BRAVO	6	
13	0010	49845	SCREW (.437-20 x 1.00)		6	
14	0429	9521	CRANKSHAFT		1	
15	0028	34466	KEY		2	

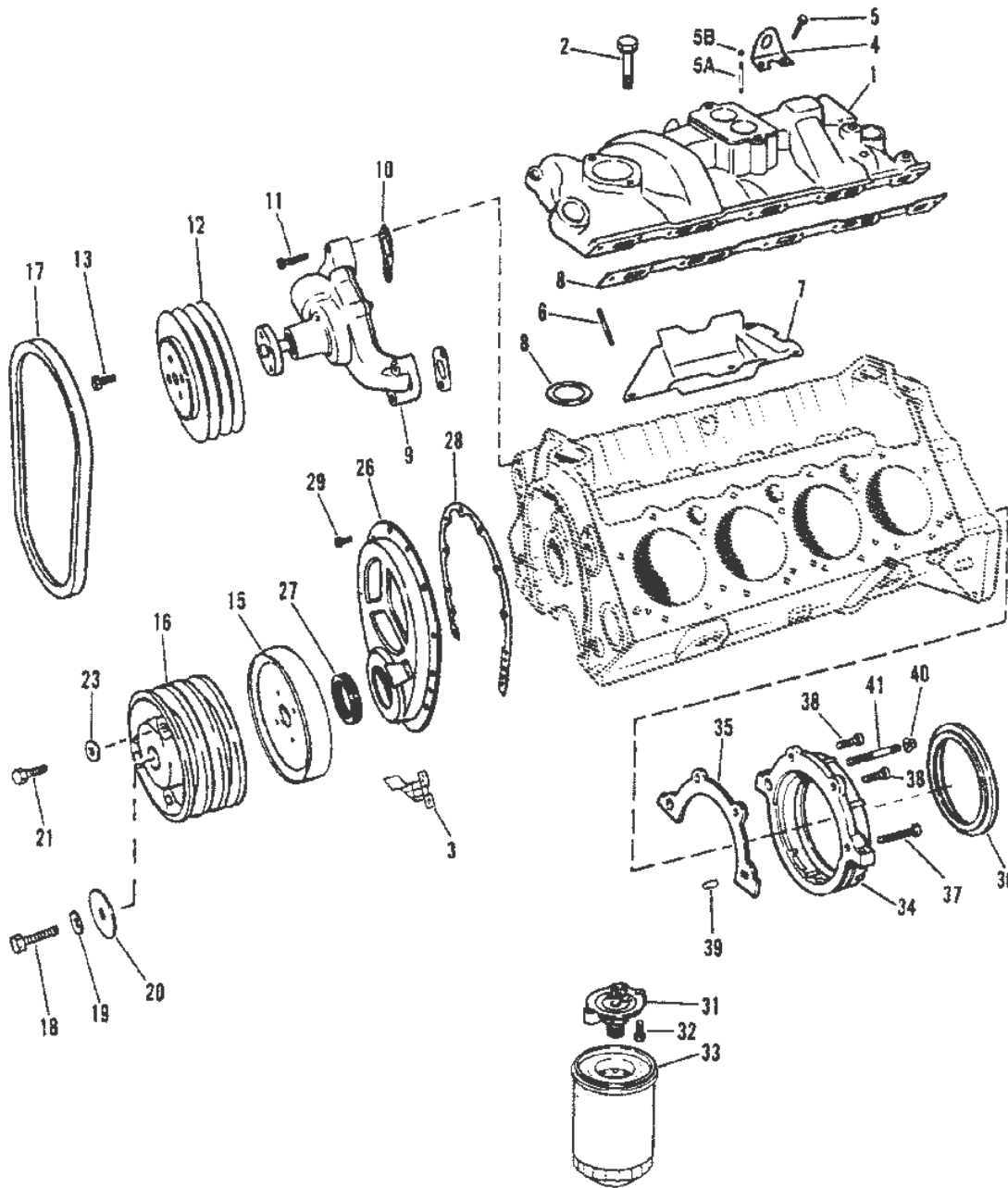
PISTONS AND CONN. RODS



PISTONS AND CONN. RODS

Ref #	Part Class	Part Number	Description	Comments	Qty	Note
1	0735	808674	PISTON ASSEMBLY (STANDARD)		8	
1	0735	9687	PISTON ASSEMBLY (.030 O.S.)		AR	
2	0039	801861	RING Piston (STANDARD)		8	
2	0039	17465	RING Piston (.030 O.S.)		AR	
3	0614	8164	CONNECTING ROD		8	
4	0010	85802	SCREW (.375-24 x Special)		16	
5	0011	37493	NUT (.375-24)		16	
6	0023	85701	BEARING (PAIR - STANDARD)		8	
6	0023	85702	BEARING (PAIR - .001 USA)		AR	
6	0023	85703	BEARING (PAIR - .002 USA)		AR	
6	0023	85704	BEARING (PAIR - .010 USA)		AR	
6	0023	85705	BEARING (PAIR - .020 USA)		AR	

INTAKE MANIFOLD AND FRONT COVER



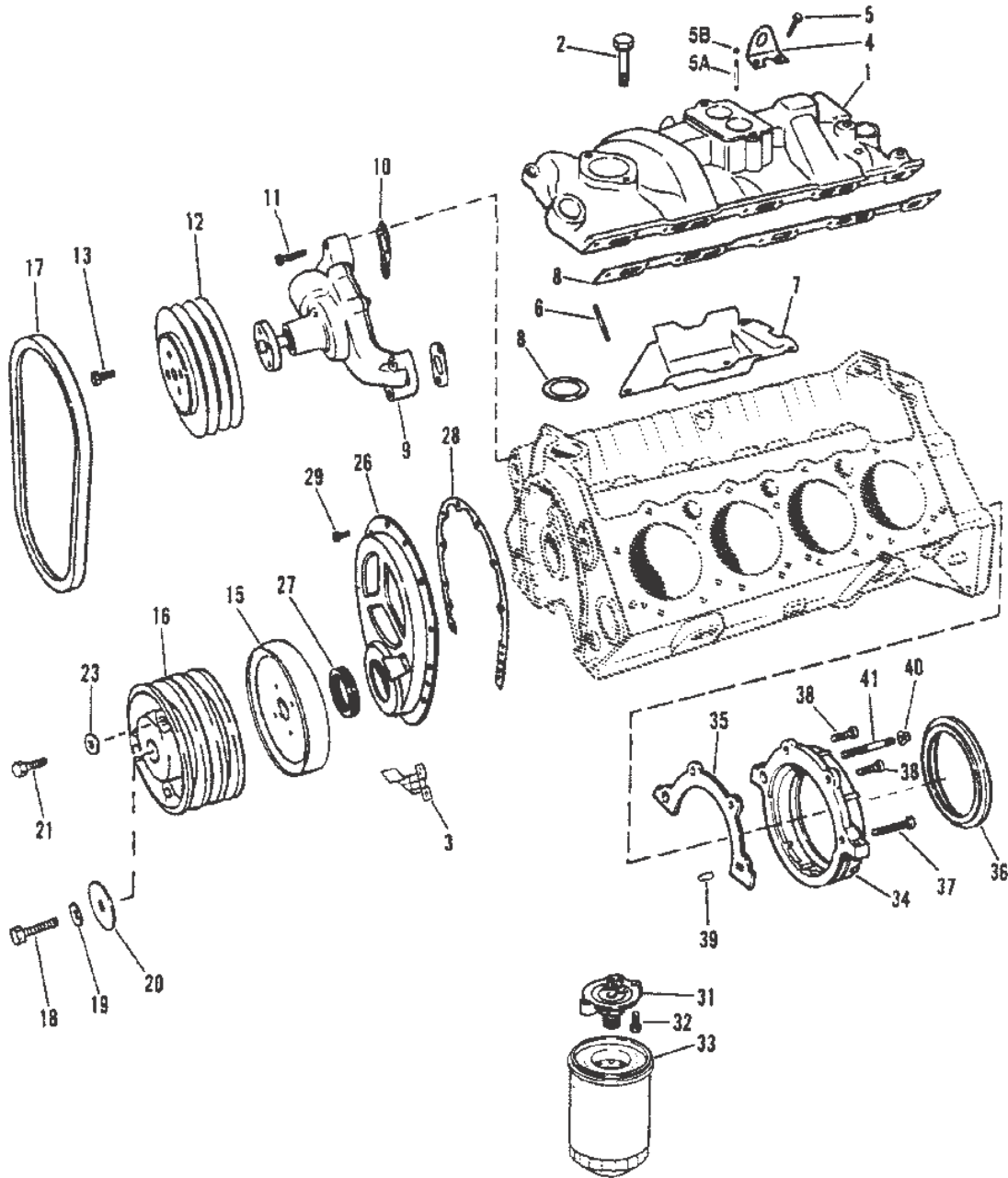
1496

INTAKE MANIFOLD AND FRONT COVER

Ref #	Part Class	Part Number	Description	Comments	Qty	Note
1	0000	17620	MANIFOLD Intake		1	
2	0010	806681	SCREW (.375-16 x .875)		9	
2	0010	11975	BOLT (3/8-16 x 1.25)		3	
3	0000	75435A1	POINTER		1	
4	0054	47512	LIFTING EYE		1	
5	0010	34354	SCREW (.375-16 x 1.50)		2	
5A	0016	806250	STUD		2	
5B	0011	32219	NUT (.375-16)		2	
6		N.S.S.	Not Sold Separate (GM#3959544)		4	
7	0000	72647	GUARD		1	
8	0027	17145	GASKET SET	(Use RTV Silicone Sealant for end gasket - See Service Manual)	1	[1]
9	0000	17437	PUMP ASSEMBLY Water		1	[2]
10	0027	34897	GASKET		2	[1]
11	0010	32132	SCREW (.375-16 x 1.750) (1-3/4")		2	
11	0010	47688	SCREW (.375-16 x 2.750) (2-3/4")		1	
11	0010	52200	SCREW (1.625 In.) (1-1/2")		1	
12	0000	15120T	PULLEY (5.5 In. Diameter) (5-1/2" DIA.)		1	
12	0000	19692T	PULLEY (7 In. Diameter) (7" DIA.)		1	
13	0010	47277	SCREW (.312-24 x .750)		4	
15	0000	75420	BALANCER		1	
16	0000	90081A1	PULLEY		1	
17	0057	48120A1	V BELT (46 Inch)		1	
18	0010	32515	SCREW (.437-20 x 2.50)		1	
19	0013	39131	LOCKWASHER (.437)		1	
20	0012	35332	WASHER		1	
21	0010	53833	BOLT (.375-24 x 2.00)		3	
23	0012	34714	WASHER		3	
26	0000	14249A2	COVER		1	
27	0026	97335	SEAL Oil		1	[1]
28	0027	14250	GASKET		1	[1]
29	0010	35366	SCREW		10	
31	0000	53338	VALVE ASSEMBLY Filter	W/O REMOTE OIL FILTER	1	
32	0010	54786	SCREW (.312-18 x 1.250)	W/O REMOTE OIL FILTER	2	
33	0000	14957	FILTER Oil	W/O REMOTE OIL FILTER	1	[3]
34	0000	14239	RETAINER Oil Seal (REAR)		1	
35	0027	14241	GASKET		1	[1]
36	0026	14240	SEAL Oil (REAR)		1	[1]
37	0010	14243	BOLT (.250-20 x 1.750)		1	
38	0010	14242	BOLT (.250-20 x .875)		2	

INTAKE MANIFOLD AND FRONT COVER

INTAKE MANIFOLD AND FRONT COVER



1496

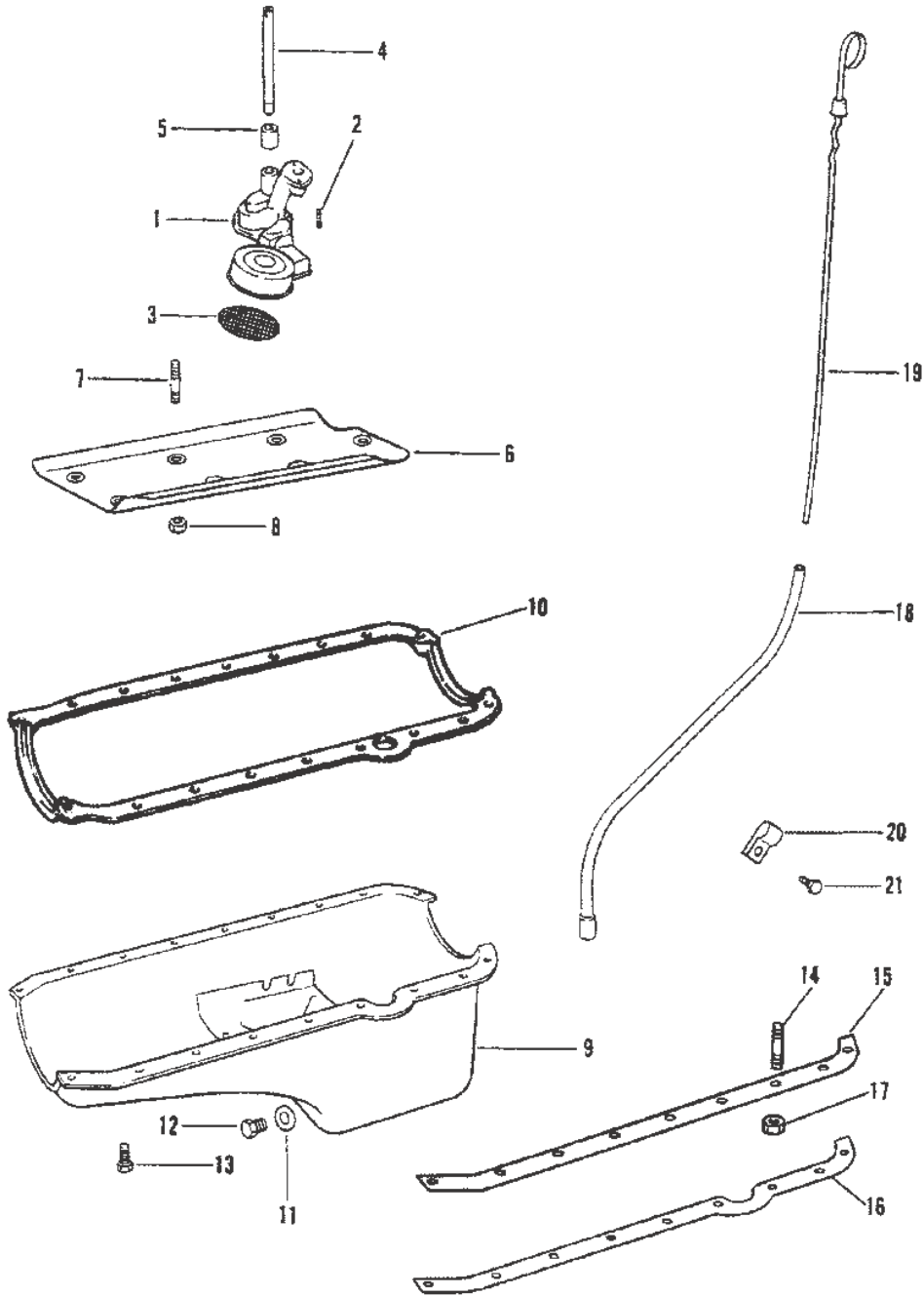
INTAKE MANIFOLD AND FRONT COVER

Ref #	Part Class	Part Number	Description	Comments	Qty	Note
39	0017	14263	PIN Dowel Dowel		1	
40	0011	11996	NUT		1	
41	0016	14827	STUD (.250-20 x 2.180)		1	
42	0010	49011	SET SCREW (.312-18 x .312)		4	
-	0027	75611A88	GASKET SET Engine Overhaul		1	

PART NOTES:

- [1] - COMPONENT OF ENGINE/POWERHEAD GASKET SET 75611A88
- [2] - Alternate part numbers:
17437QS
850399R04Reman
- [3] - Alternate part numbers:
14957Service Part
802885QQS
802885TMPP

OIL PAN AND OIL PUMP



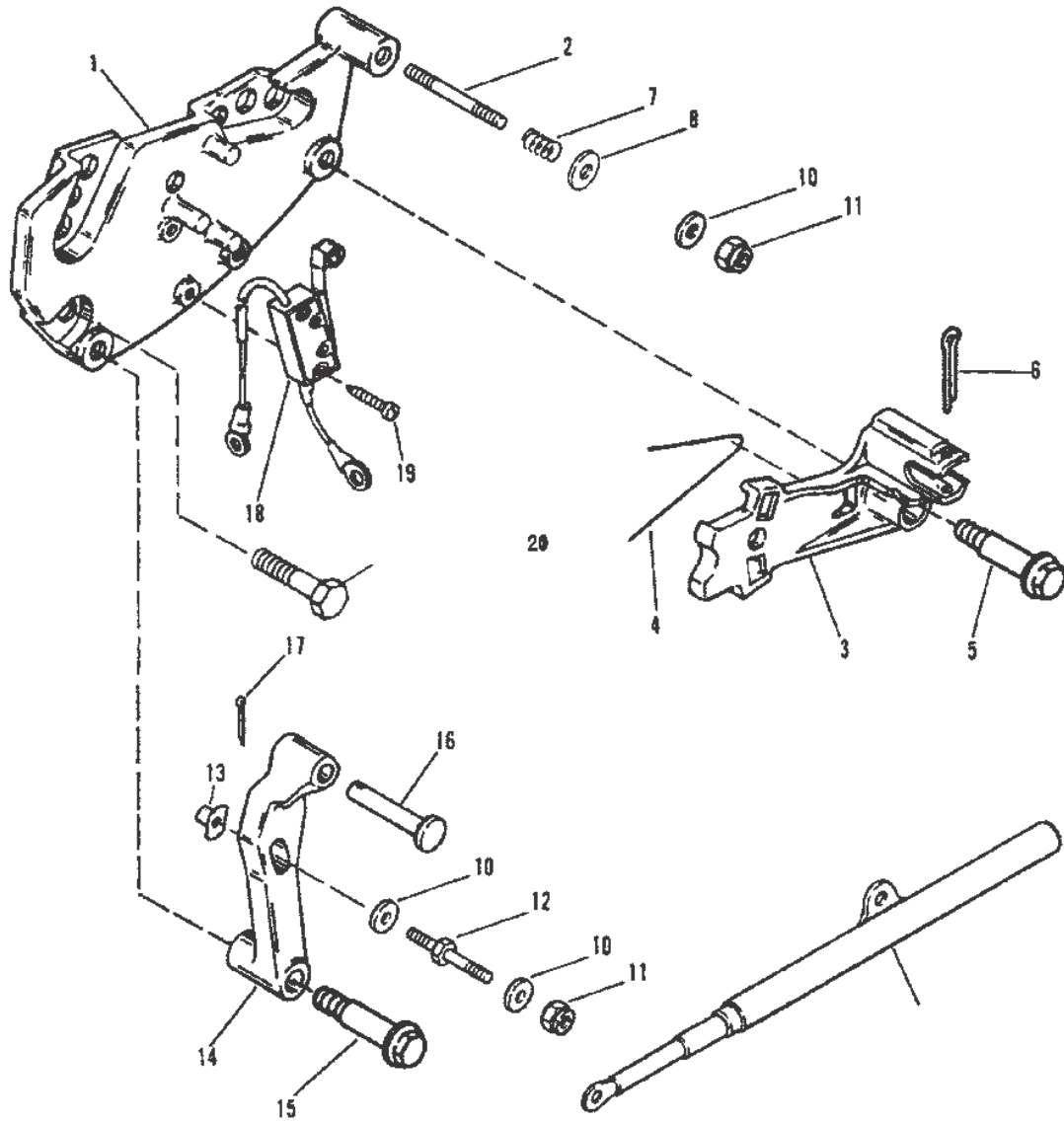
PAGE 10

46981

OIL PAN AND OIL PUMP

Ref #	Part Class	Part Number	Description	Comments	Qty	Note
1	0000	17617	PUMP Oil		1	
2	0010	17346	SCREW		1	
3	0000	35354	SCREEN ASSEMBLY		1	
4	0000	36184	SHAFT		1	
5	0023	36183	RETAINER		1	
6	0000	98602	BAFFLE (CYLINDER BLOCK)		1	
7	0016	54790	STUD		5	
8	0011	37500	NUT (3/8-16)		5	
9	0000	14259	PAN Oil		1	
10	0027	13865	GASKET		1	
11	0027	49955	GASKET Drain		1	
12	0010	49956	SCREW Drain		1	
13	0010	14070	SCREW (.250-20 x .625)		14	
14	0016	11989	STUD (.312-18 x 1.6718)		4	
15	0000	14257	REINFORCEMENT (PORT)		1	
16	0000	14256	REINFORCEMENT (STARBOARD)		1	
17	0011	11971	NUT (.312-18)		4	
18	0000	15296A2	TUBE		1	
19	0000	15297T	DIPSTICK		1	
20	0054	805625	CLIP Dipstick Tube		1	
21	0010	35366	SCREW		1	

SHIFT BRACKET (ALPHA)



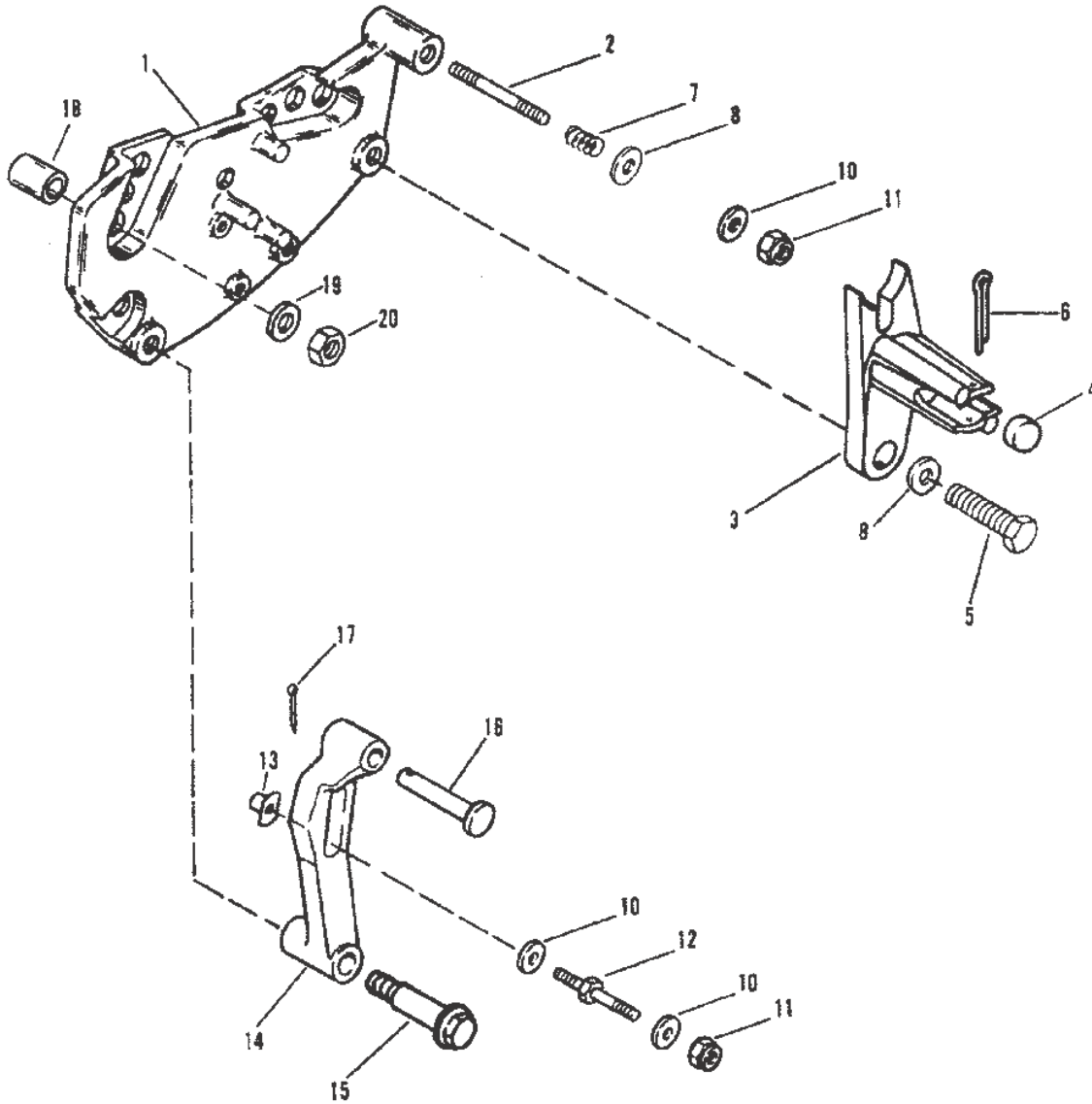
46982

SHIFT BRACKET (ALPHA)

Ref #	Part Class	Part Number	Description	Comments	Qty	Note
1	0000	99237A10	BRACKET ASSEMBLY		1	
2	0016	8140021	STUD (.250 x 2.870) (2-7/8"		1	
3	0000	13051A4	LEVER ASSEMBLY Actuating		1	
4	0024	45599	SPRING		1	
5	0010	13743	SCREW (.312-18 x 1.843) Shoulder		1	
6	0018	32857	COTTER PIN		1	
7	0024	98880	SPRING		1	
8	0012	56720	WASHER (.330 x .750 x .060) Stainless Steel		1	
10	0012	35462	WASHER (.2656 x .625 x .0625) Stainless Steel		3	
11	0011	13438	NUT (.250-28)		2	
12	0016	96112	STUD (.250-28 x 2.00) Throttle Cable Anchor		1	
13	0011	63341	TEE NUT		1	
14	0000	13898A3	LEVER ASSEMBLY Shift		1	
15	0010	13743	SCREW (.312-18 x 1.843) Shoulder		1	
16	0017	814001	PIN Clevis		1	
17	0018	21071	COTTER PIN		1	
18	0087	806702A3	SWITCH ASSEMBLY		1	
19	0010	30902	SCREW (#6-32 x .750)		2	
20	0000	813995A1	GUIDE ASSEMBLY Spring		1	
21	0010	657461	SCREW AND LOCKWASHER (.250- 20 x .625)		3	

SHIFT BRACKET (ALPHA)

SHIFT BRACKET (BRAVO)



46983

PAGE 10

571 (M) DIA/DRUM/VEH

REVISED MARCH 1997

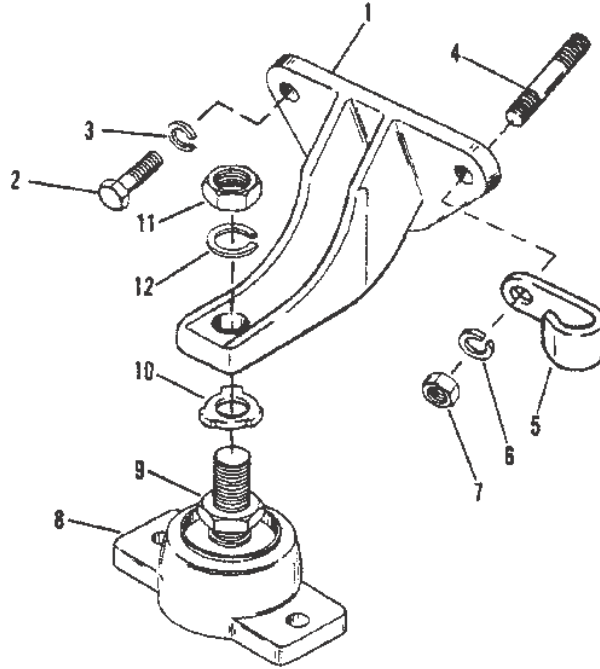
SHIFT BRACKET (BRAVO)

SHIFT BRACKET (BRAVO)

Ref #	Part Class	Part Number	Description	Comments	Qty	Note
1	0000	99237A10	BRACKET ASSEMBLY		1	
2	0016	987981	STUD (.250-20/.250-28 x 2.120)		1	
3	0000	123811	RETAINER		1	
4	0023	98828	SPACER		1	
5	0010	53167	SCREW (.312-18 x .880)		1	
6	0018	32857	COTTER PIN		1	
7	0024	98880	SPRING		1	
8	0012	56720	WASHER (.330 x .750 x .060) Stainless Steel		2	
10	0012	35462	WASHER (.2656 x .625 x .0625) Stainless Steel		5	
11	0011	13438	NUT (.250-28)		2	
12	0016	96112	STUD (.250-28 x 2.00) Throttle Cable Anchor		1	
13	0011	63341	TEE NUT		1	
14	0000	138981	LEVER		1	
15	0010	13743	SCREW (.312-18 x 1.843) Shoulder		1	
16	0017	68402	PIN (.250 x 1.13)		1	
17	0018	21071	COTTER PIN		1	
18	0023	806981	SPACER		3	
19	0012	35462	WASHER (.2656 x .625 x .0625) Stainless Steel		3	
20	0011	64015	NUT (.250-20)		3	

SHIFT BRACKET (BRAVO)

ENGINE MOUNTING

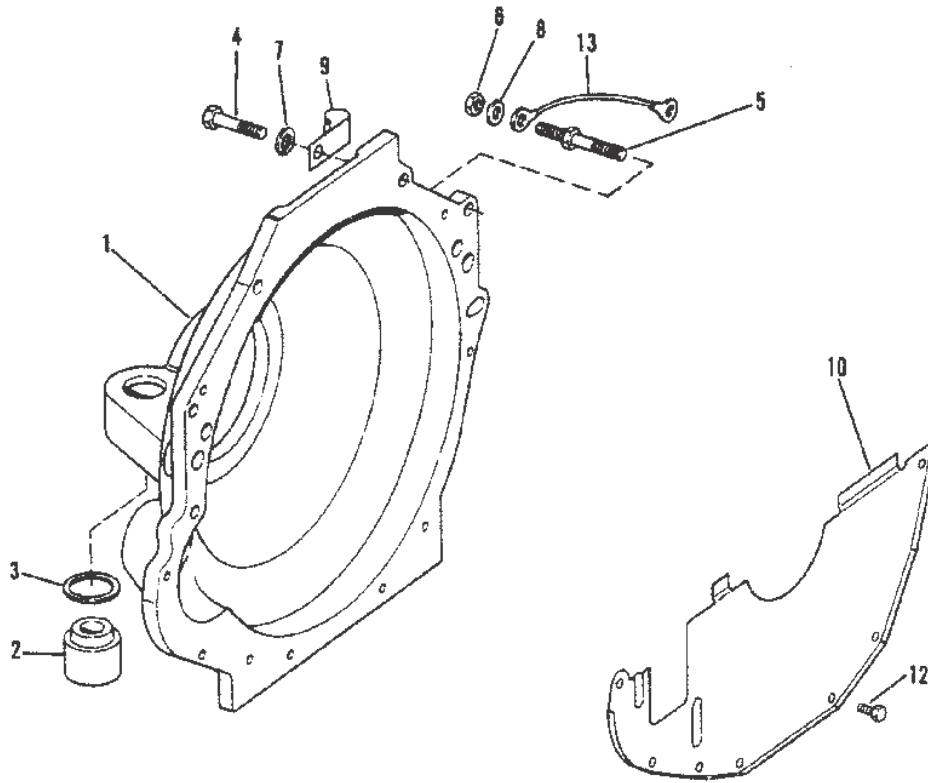


46984

ENGINE MOUNTING

Ref #	Part Class	Part Number	Description	Comments	Qty	Note
1	0000	79550A1	BRACKET (FRONT)		2	
2	0010	68101	SCREW (.375-16 x 1.375)	PORT	3	
3	0013	35048	LOCKWASHER (.375)	PORT	3	
2	0010	68101	SCREW (.375-16 x 1.375)	STARBOARD	2	
3	0013	35048	LOCKWASHER (.375)	STARBOARD	2	
4	0016	64066	STUD (.375-16 x 2.750) Special	STARBOARD	1	
5	0054	78945	J CLAMP Harness Support	STARBOARD	1	
6	0013	35048	LOCKWASHER (.375)	STARBOARD	1	
7	0011	32219	NUT (.375-16)	STARBOARD	1	
8	0000	814263A1	BASE ASSEMBLY		2	
9	0011	816331	NUT (.750-16)		2	
10	0014	12657	TAB WASHER		2	
11	0011	49252	NUT		2	
12	0013	68102	LOCKWASHER (.750)		2	

FLYWHEEL HOUSING

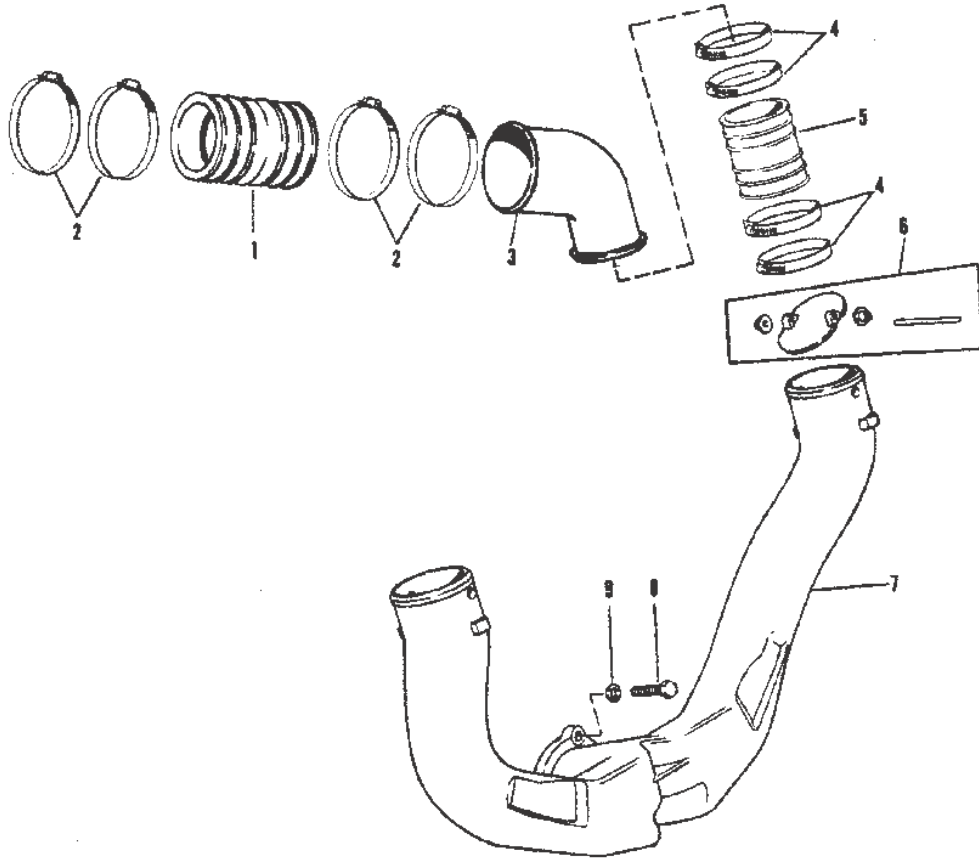


46985

FLYWHEEL HOUSING

Ref #	Part Class	Part Number	Description	Comments	Qty	Note
1	0000	12675A7	HOUSING ASSEMBLY Flywheel		1	
2	0000	99297A1	MOUNT ASSEMBLY Rubber		2	
3	0023	99322	SPACER		2	
4	0010	37612	SCREW (.375-16 x 1.250) (1-1/4")		4	
4	0010	358701	SCREW (.375-16 x 2.00) (2")		2	
5	0016	64066	STUD (.375-16 x 2.750) Special		2	
6	0011	32219	NUT (.375-16)		2	
7	0013	35048	LOCKWASHER (.375)		7	
8	0012	20572	WASHER (.390 x .750 x .093)		1	
9	0054	78945	J CLAMP Harness Support		1	
9	0054	92850	CLAMP		2	
10	0000	818719A1	COVER		1	
12	0010	32773	SCREW (.250-20 x .875)		7	
13	0084	62826A6	CABLE ASSEMBLY Ground (13.00 Inches) Black		1	

EXHAUST SYSTEM

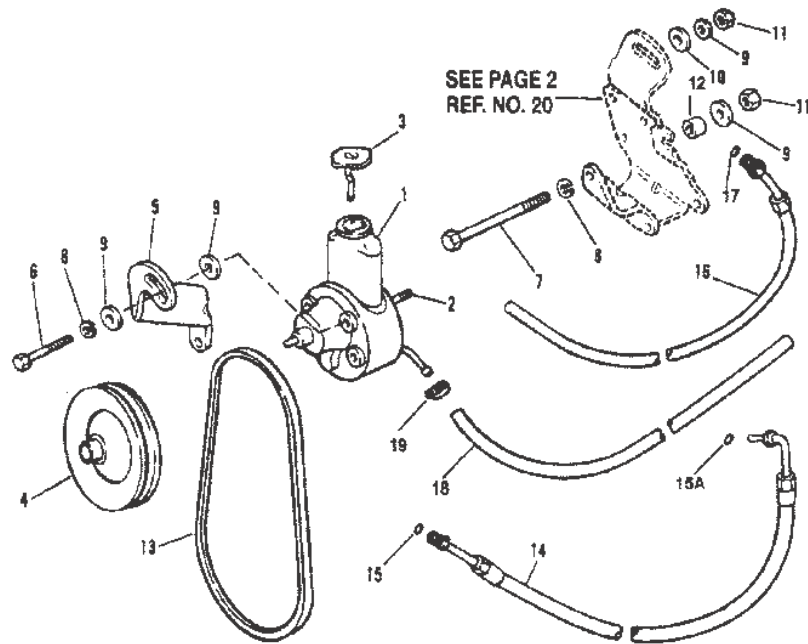


46986

EXHAUST SYSTEM

Ref #	Part Class	Part Number	Description	Comments	Qty	Note
1	0032	44348T	TUBE		2	
2	0054	815504372	CLAMP Worm Gear		8	
3	0000	11086T	ELBOW (PORT)		1	
3	0000	14343T	ELBOW (STARBOARD)		1	
4	0054	815504372	CLAMP Worm Gear		8	
5	0032	14358T	TUBE		2	
6	0000	14348A1	SHUTTER ASSEMBLY Water		1	
7	0000	44266T1	PIPE Exhaust		1	
8	0010	58640	SCREW (.375-16 x 1.25)		4	
9	0013	41471	LOCKWASHER (.375)		4	

POWER STEERING COMPONENTS

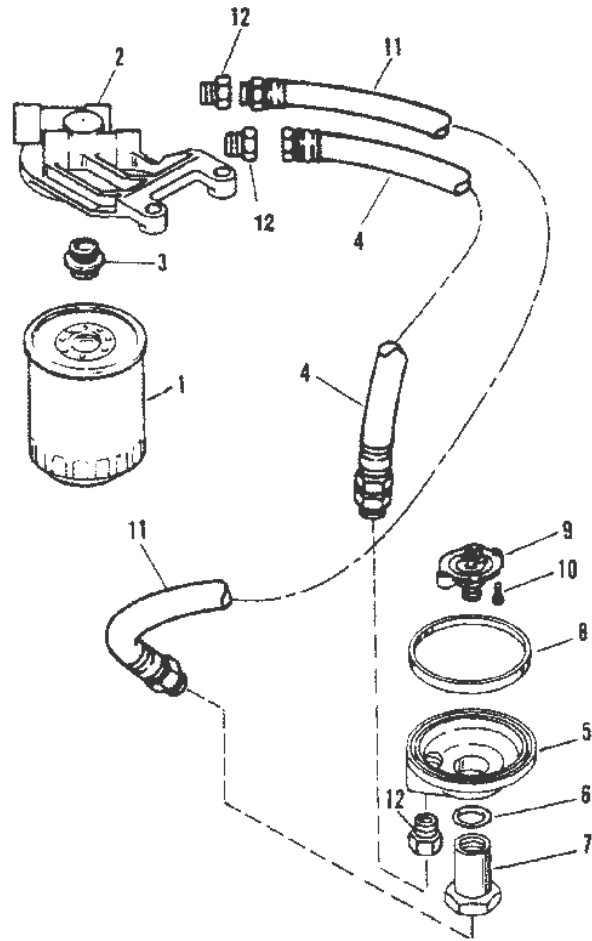


46987

POWER STEERING COMPONENTS

Ref #	Part Class	Part Number	Description	Comments	Qty	Note
1	0000	16792A1	PUMP ASSEMBLY		1	
2	0016	41877	STUD (M10)		2	
3	0036	95805	CAP		1	
4	0000	73873A1	PULLEY		1	
5	0000	15082T	BRACE		1	
6	0010	40001192	SCREW (M10 x 25)		1	
7	0010	40001188	SCREW (M10 x 20)		1	
8	0013	400248	LOCKWASHER (M10)		2	
9	0023	72057	SPACER (1.00 Outside Diameter x .125 x Thick)		4	
10	0012	28105	WASHER		1	
11	0011	90517	NUT (M10)		2	
12	0023	45353	SPACER		1	
13	0057	816295T	V BELT		1	
14	0032	80622216	HOSE (FITTINGS ON BOTH ENDS)		1	
15	0025	89879	O-RING (.301 x .064)		1	
15A	0025	806232	O-RING (.239 x .064)		1	
16	0032	80622142	HOSE ASSEMBLY (84.00 Inches Bulk) Return (FITTING ON 1 END)		1	
17	0025	89879	O-RING (.301 x .064)		1	
18	0032	5251914	HOSE (53.00 Inches Bulk) Pump to Oil Cooler		1	
19	0054	815504206	CLAMP Worm Gear		3	

OIL FILTER AND ADAPTOR



47005

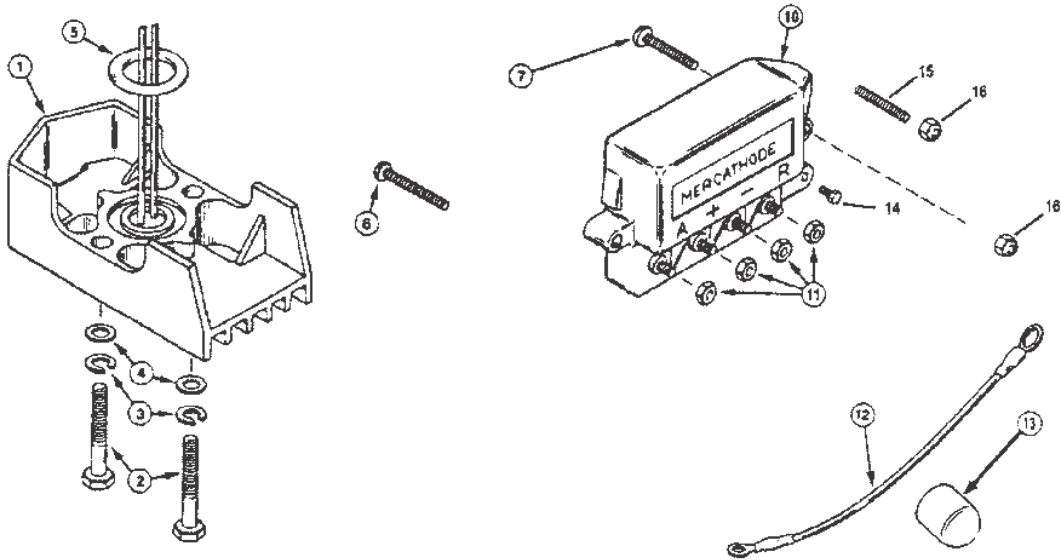
OIL FILTER AND ADAPTOR

Ref #	Part Class	Part Number	Description	Comments	Qty	Note
1	0000	14957	FILTER Oil		1	[1]
2	0000	817403A4	BRACKET ASSEMBLY		1	
3	0022	814822	FITTING		1	
4	0032	806634T	HOSE		1	
5	0000	818400A1	ADAPTER		1	
6	0026	42077	SEAL		1	[2]
7	0022	806121	FITTING		1	
8	0027	91892	GASKET		1	[2]
9	0000	53338	VALVE ASSEMBLY Filter		1	
10	0010	54786	SCREW (.312-18 x 1.250)		2	
11	0032	806633T	HOSE		1	
12	0022	805563	CONNECTOR (.500 Inch NPTF To .500 Inch Inverted Flare) (.50 Inch NPTF to .50 Inch Inv. Flare)		2	
-	0027	75611A88	GASKET SET Engine Overhaul		1	

PART NOTES:

- [1] - Alternate part numbers:
14957Service Part
802885QQS
802885TMPP
- [2] - COMPONENT OF ENGINE/POWERHEAD GASKET SET 75611A88

MERCATHODE COMPONENTS



47006

MERCATHODE COMPONENTS

Ref #	Part Class	Part Number	Description	Comments	Qty	Note
1	0000	98869A11	ELECTRODE ASSEMBLY		1	
2	0010	69067	SCREW (.250-20 x 1.375)		2	
3	0013	26992	LOCKWASHER (.250) Stainless Steel		2	
4	0012	29245	WASHER (.281 x .500 x .060) Stainless Steel		2	
5	0025	88388	O-RING		1	
6	0010	72202	SCREW (#10-32 x 1.25)		1	
10	0000	42600A3	CONTROLLER ASSEMBLY		1	
11	0011	68219	NUT (#10-32) Stainless Steel		4	
12	0084	88543A3	CABLE ASSEMBLY		1	
13	0000	44574	CAP		2	
14	0010	62568	SCREW (#10-16 x .375)		1	
7	0010	805565	SCREW (#10-32 x .750)		1	
15	0016	805459	STUD Mercathode Mounting		1	
16	0011	46438	NUT (#10-32)		2	

PARTS INDEX

Part No.	Description	Pg.	Ref.no	Part No.	Description	Pg.	Ref.no
11086T	ELBOW (PORT)	62	3	11178	BREAKER Circuit - 50 Ampere	20	12
11965	ROTATOR (EXHAUST)	40	13	11966	SCREW (.437-14 x 3.750) (3-3/4")	40	23
11967	BOLT (3 In.) (3")	40	22	11968	SCREW (.437-14 x 1.750) (1-3/4")	40	21
11971	NUT (.312-18)	52	17	11975	BOLT (3/8-16 x 1.25)	48	2
11985	TIMING CHAIN	42	10	11989	STUD (.312-18 x 1.6718)	52	14
11996	NUT	50	40	12244	SCREW (.375-16 x 1.00) (1")	34	14
123811	RETAINER	56	3	12657	TAB WASHER	58	10
12675A7	HOUSING ASSEMBLY Flywheel	60	1	13051A4	LEVER ASSEMBLY Actuating	54	3
13438	NUT (.250-28)	54	11	13438	NUT (.250-28)	56	11
13457T	BELT	38	38	13510	WASHER	44	8
13743	SCREW (.312-18 x 1.843) Shoulder	54	5	13743	SCREW (.312-18 x 1.843) Shoulder	54	15
13743	SCREW (.312-18 x 1.843) Shoulder	56	15	13865	GASKET	52	10
138981	LEVER	56	14	13898A3	LEVER ASSEMBLY Shift	54	14
14070	SCREW (.250-20 x .625)	52	13	14239	RETAINER Oil Seal (REAR)	48	34
14240	SEAL Oil (REAR)	48	36	14241	GASKET	48	35
14242	BOLT (.250-20 x .875)	48	38	14243	BOLT (.250-20 x 1.750)	48	37
14249A2	COVER	48	26	14250	GASKET	48	28
14256	REINFORCEMENT (STARBOARD)	52	16	14257	REINFORCEMENT (PORT)	52	15
14259	PAN Oil	52	9	14263	PIN Dowel Dowel	50	39
14343T	ELBOW (STARBOARD)	62	3	14348A1	SHUTTER ASSEMBLY Water	62	6
14358T	TUBE	62	5	14827	STUD (.250-20 x 2.180)	50	41
14883	SCREW (.375-16 x 1.12)	44	7	14883	SCREW (.375-16 x 1.12)	44	11
14957	FILTER Oil	48	33	14957	FILTER Oil	66	1
15001	SCREW (#8-16 x .875)	14	17	15082T	BRACE	64	5
15083T	BRACKET	4	20	15120T	PULLEY (5.5 In. Diameter) (5-1/2" DIA.)	48	12
15296A2	TUBE	52	18	15297T	DIPSTICK	52	19
1589418	HOSE Breather	24	7	15895	SPACER (.38 x 1.00 x 1.44)	22	26
15895	SPACER (.38 x 1.00 x 1.44) (1-7/16")	28	9	16792A1	PUMP ASSEMBLY	64	1
17145	GASKET SET	48	8	17339	PUSH ROD	40	5
17340	LIFTER	42	8	17341	GUIDE Lifter	42	16
17343	SCREW (.250-20 x .500)	42	21	17344	SCREW	40	3
17346	SCREW	52	2	17437	PUMP ASSEMBLY Water	48	9
17465	RING Piston (.030 O.S.)	46	2	17467	GASKET Rocker Cover	40	4
17617	PUMP Oil	52	1	17620	MANIFOLD Intake	48	1
18311A17	COUPLER ASSEMBLY Engine	44	9	18484A3	COVER	24	1
18643A5	COUPLING ASSEMBLY	44	4	18644	BUMPER Rubber	44	6
18710	CAP Metal Rocker Cover	40	2	19064	BUSHING	28	15
19692T	PULLEY (7 In. Diameter) (7" DIA.)	48	12	20084	WASHER (.328 x .562 x .062)	10	29
20084	WASHER (.328 x .562 x .062)	24	25	20084	WASHER (.328 x .562 x .062)	38	5
20533	WASHER	20	23	20553	WASHER (.406 x .734 x .063)	4	22
20553	WASHER (.406 x .734 x .063)	4	22	20553	WASHER (.406 x .734 x .063)	22	25
20553	WASHER (.406 x .734 x .063)	28	8	20572	WASHER (.390 x .750 x .093)	44	12
20572	WASHER (.390 x .750 x .093)	60	8	21071	COTTER PIN	54	17
21071	COTTER PIN	56	17	21825	NUT (.250-28)	4	7
21908	NUT (.312-18) Cad Plated	38	25	23161	NUT (.375-24)	4	25
23720	RING Retaining	38	18	24323	SET SCREW (.250-20 x 1.25)	20	17A
26079A2	PLATE KIT Wire Harness Mount	14	16	26168	WASHER	4	19
26419	NUT (#8-32) Brass (8-32)	20	6	26486	SCREW (.375-16 x 2.375)	22	23
26486	SCREW (.375-16 x 2.375)	28	6	26487	SCREW (.375-16 x 1.12) (BRAVO ENGINES)	4	16
26825	WASHER (.328 x .750 x .06)	28	14	26992	LOCKWASHER (.250) Stainless Steel	4	12
26992	LOCKWASHER (.250) Stainless Steel (1/4")	20	7	26992	LOCKWASHER (.250) Stainless Steel	68	3
26995	LOCKWASHER (#8) Stainless Steel (#8)	20	5	26996	LOCKWASHER (#10) Stainless Steel	4	10
26996	LOCKWASHER (#10) Stainless Steel	14	3	26996	LOCKWASHER (#10) Stainless Steel	20	15
28105	WASHER	64	10	29198	SCREW AND LOCKWASHER (.312-18 x .875)	4	18
29245	WASHER (.281 x .500 x .060) Stainless Steel	68	4	29250	NUT (.312-24)	36	17
30902	SCREW (#6-32 x .750)	54	19	32132	SCREW (.375-16 x 1.750) (1-3/4")	48	11
32219	NUT (.375-16)	48	5B	32219	NUT (.375-16)	58	7
32219	NUT (.375-16)	60	6	32515	SCREW (.437-20 x 2.50)	48	18
32561	PLUG Pipe - Allen Head (.250-18)	22	10	32773	SCREW (.250-20 x .875)	60	12
32783	RETAINER Three Wire (3 WIRE)	10	23	32784	RETAINER Four Wire (4 WIRE)	10	24
32802	PLUG Pipe (.125-27) (FOR WATER PUMP BODY)	38	37	32802	PLUG Pipe (.125-27)	42	3A

PARTS INDEX

Part No.	Description	Pg.	Ref.no	Part No.	Description	Pg.	Ref.no
32803	PLUG Pipe (.375-18) Brass	36	2	32857	COTTER PIN	54	6
32857	COTTER PIN	56	6	33198A1	PLUG (3/4-14)	32	2
33198A1	PLUG (3/4-14)	32	14	33198A1	PLUG (3/4-14)	34	2
33290	RING Retaining	6	12	33291	COLLAR	6	11
33395	GASKET	32	4	33395	GASKET	34	4
33821	CONNECTOR	22	15	34109	PIN	10	16
34213	GASKET	22	2	34217	SEAL (INLET AND EXHAUST)	40	8
342271	SEALING COMPOUND (16 Ounce) (WHERE APPLICABLE)	42	-	34270	EXPANSION PLUG (1.625) Expansion (1-5/8" DIA.)	42	4
34353	SCREW (.375-16 x 1.00) (1")	4	21	34353	SCREW (.375-16 x 1.00) (1")	38	27
34353	SCREW (.375-16 x 1.00) (1")	38	31	34354	SCREW (.375-16 x 1.50) (1-1/2")	22	3
34354	SCREW (.375-16 x 1.50)	48	5	34466	KEY	44	15
344863	GASKET	10	28	34500	SCREW (.312-18 x .625)	42	18
34505	SCREW (.312-18 x .875) (3/4")	42	13	34516	NUT	40	17
34518	SHIELD	40	11	34521	STUD (.013 O.S.)	40	19
34522	STUD (.003 O.S.)	40	19	34714	WASHER	38	29
34714	WASHER	38	33	34714	WASHER	48	23
34897	GASKET	48	10	34898	GASKET	22	6
35045	NUT (.250-28)	24	4	35048	LOCKWASHER (.375) (BRAVO ENGINES)	4	17
35048	LOCKWASHER (.375)	4	22	35048	LOCKWASHER (.375)	22	4
35048	LOCKWASHER (.375)	22	21	35048	LOCKWASHER (.375)	22	24
35048	LOCKWASHER (.375)	28	7	35048	LOCKWASHER (.375)	28	11
35048	LOCKWASHER (.375)	38	28	35048	LOCKWASHER (.375)	38	32
35048	LOCKWASHER (.375)	38	35	35048	LOCKWASHER (.375)	58	3
35048	LOCKWASHER (.375)	58	3	35048	LOCKWASHER (.375)	58	6
35048	LOCKWASHER (.375)	60	7	35312	PIN Dowel (1/4 In. Diameter)	42	15
35312	PIN Dowel (1/4 In. Diameter) (1/4" DIA.)	44	2	35329	ARM KIT Rocker	40	15
35331	BALL Rocker Arm	40	16	35332	WASHER	48	20
35354	SCREEN ASSEMBLY	52	3	35366	SCREW	22	7
35366	SCREW	48	29	35366	SCREW	52	21
35373	MOUNTING PLATE	22	5	35462	WASHER (.2656 x .625 x .0625) Stainless Steel	20	9
35462	WASHER (.2656 x .625 x .0625) Stainless Steel	20	19	35462	WASHER (.2656 x .625 x .0625) Stainless Steel	54	10
35462	WASHER (.2656 x .625 x .0625) Stainless Steel	56	10	35462	WASHER (.2656 x .625 x .0625) Stainless Steel	56	19
35465	PIN Dowel (.312) Dowel (5/16" DIA.)	42	5	35786	SCREW (.375-24 x 1.00) (1")	38	34
35814	NUT (.312-24) Stainless Steel	22	13	358701	SCREW (.375-16 x 2.00) (2")	60	4
36183	RETAINER	52	5	36184	SHAFT	52	4
36382	FITTING (.250-18 x .62) Brass	14	9	36382	FITTING (.250-18 x .62) Brass	32	3
36382	FITTING (.250-18 x .62) Brass	32	13	36382	FITTING (.250-18 x .62) Brass	34	3
37293	SENDER ASSEMBLY Oil Pressure (DUAL)	14	2	37493	NUT (.375-24)	46	5
37500	NUT (3/8-16)	52	8	37612	SCREW (.375-16 x 1.250) (1-1/4")	4	21
37612	SCREW (.375-16 x 1.250)	22	20	37612	SCREW (.375-16 x 1.250)	28	10
37612	SCREW (.375-16 x 1.250) (1-1/4")	60	4	39107	LOCKWASHER (.312-24)	38	23
39107	LOCKWASHER (.312-24)	38	24	39131	LOCKWASHER (.437)	48	19
40001188	SCREW (M10 x 20)	64	7	40001192	SCREW (M10 x 25)	64	6
400211	NUT (M5) Stainless Steel (5MM)	4	4	400248	LOCKWASHER (M10)	64	8
41408	SCREW (#10-32 x 1.50)	36	20	41471	LOCKWASHER (.375)	62	9
41811	GASKET (CLOSED COOLING)	32	11	41811	GASKET (CLOSED COOLING)	34	8
41813	GASKET (STANDARD COOLING)	32	10	41813	GASKET (STANDARD COOLING)	34	7
41877	STUD (M10)	64	2	42077	SEAL	66	6
42600A3	CONTROLLER ASSEMBLY	68	10	42755	SPROCKET	42	12
43749	SCREW (.375-16 x 5.750) (5-3/4")	32	15	44266T1	PIPE Exhaust	62	7
44348T	TUBE	62	1	44354A3	ELBOW ASSEMBLY Exhaust (7 DEGREES)	32	12
44574	CAP	68	13	45076	NUT (#10-32) Brass	14	19
45353	SPACER	64	12	45592	NUT (.312-24)	24	26
45599	SPRING	54	4	45862	SCREW (#10-32 x .875)	20	13
46132	WASHER	4	23	46335	NUT (.375-24)	38	36
46350	WASHER	10	13	46438	NUT (#10-32)	68	16
47277	SCREW (.312-24 x .750) (3/4")	38	22	47277	SCREW (.312-24 x .750)	48	13
47512	LIFTING EYE	48	4	47530	HUB	38	20
47688	SCREW (.375-16 x 2.750) (2-3/4")	48	11	47715	CLIP	36	16
48120A1	V BELT (46 Inch)	48	17	48340	PLUG (.250-18 x .41) (1/4")	42	2

PARTS INDEX

Part No.	Description	Pg.	Ref.no	Part No.	Description	Pg.	Ref.no
48347	SPRING (INLET AND EXHAUST)	40	10	48348	CAP	40	12
48358	PLUG (.375)	24	20	48424	SCREW (.375-16 x 1.620) (1-5/8")	4	21
48556	BUSHING Reducer (.250 To .125)	42	3	49011	SET SCREW (.312-18 x .312)	50	42
49099	FITTING	44	10	49252	NUT	58	11
49734A1	SENDER ASSEMBLY Water Temperature (DUAL)	14	1	49845	SCREW (.437-20 x 1.00)	44	13
49955	GASKET Drain	52	11	49956	SCREW Drain	52	12
52185	CLAMP	10	26	52188	GROMMET	24	9
52200	SCREW (1.625 In.) (1-1/2")	48	11	524572	GASKET	24	14
5251914	HOSE (53.00 Inches Bulk) Pump to Oil Cooler	64	18	52822T	PULLEY	38	21
530451	GASKET	36	4	53167	SCREW (.312-18 x .880)	56	5
53338	VALVE ASSEMBLY Filter	48	31	53338	VALVE ASSEMBLY Filter	66	9
53728	SCREW (.375-16 x 4.75) (4-5/8")	32	5	53728	SCREW (.375-16 x 4.75) (4-5/8")	34	5
53833	BOLT (.375-24 x 2.00)	48	21	54615	SCREW (.250-20 x .625)	20	22
54676	RETAINER Two Wire (2 WIRE)	10	22	54786	SCREW (.312-18 x 1.250)	48	32
54786	SCREW (.312-18 x 1.250)	66	10	54790	STUD	52	7
54797	KEY	40	14	56662	KEY (USE WHERE APPLICABLE)	38	11
56720	WASHER (.330 x .750 x .060) Stainless Steel	54	8	56720	WASHER (.330 x .750 x .060) Stainless Steel	56	8
56743	SCREW (.375-24 x 3.125) (3-1/8")	4	24	5790811	SLEEVE (10.00 Inches Bulk)	4	14
58640	SCREW (.375-16 x 1.25)	62	8	593621	IMPELLER	38	10
59501A1	SHAFT	38	17	59504	PLUG	38	9
59571	SPARK PLUG	10	30	61356	NUT (#10-32) Reduced Hex	20	14
62568	SCREW (#10-16 x .375)	68	14	62826A6	CABLE ASSEMBLY Ground (13.00 Inches) Black	60	13
63341	TEE NUT	54	13	63341	TEE NUT	56	13
64015	NUT (.250-20)	20	3	64015	NUT (.250-20)	20	10
64015	NUT (.250-20)	20	20	64015	NUT (.250-20)	56	20
64066	STUD (.375-16 x 2.750) Special	58	4	64066	STUD (.375-16 x 2.750) Special	60	5
657461	SCREW AND LOCKWASHER (.250-20 x .625)	54	21	65970T1	BRACKET	36	19
68101	SCREW (.375-16 x 1.375)	58	2	68101	SCREW (.375-16 x 1.375)	58	2
68102	LOCKWASHER (.750)	58	12	68219	NUT (#10-32) Stainless Steel	14	4
68219	NUT (#10-32) Stainless Steel	20	16	68219	NUT (#10-32) Stainless Steel	68	11
68402	PIN (.250 x 1.13)	56	16	69067	SCREW (.250-20 x 1.375)	68	2
72057	SPACER (1.00 Outside Diameter x .125 x Thick)	64	9	72202	SCREW (#10-32 x 1.25)	68	6
72640	PLUG Expansion	42	6	72647	GUARD	48	7
72774A50	PUMP ASSEMBLY Sea Water - Complete	38	1	72785	SEAL	38	19
72821	RETAINER	10	21	72961	BEARING Ball	38	16
73275	SCREW (.312-18 x 2.88) (2-7/8")	38	4	73668	J-CLIP (PORT)	34	13
7381567	TUBING (42.00 Inches Bulk)	22	18	7381567	TUBING (42.00 Inches Bulk)	28	19
73873A1	PULLEY	64	4	74036	FITTING Grease	44	5
75420	BALANCER	48	15	75435A1	POINTER	48	3
75611	GASKET	40	20	75611A88	GASKET SET Engine Overhaul	24	-
75611A88	GASKET SET Engine Overhaul	32	-	75611A88	GASKET SET Engine Overhaul	34	-
75611A88	GASKET SET Engine Overhaul	36	-	75611A88	GASKET SET Engine Overhaul	40	-
75611A88	GASKET SET Engine	42	-	75611A88	GASKET SET Engine Overhaul	50	-
75611A88	GASKET SET Engine Overhaul	66	-	78945	J CLAMP Harness Support	58	5
78945	J CLAMP Harness Support	60	9	79023A91	FUSE ASSEMBLY 90 Ampere (90 AMP)	4	6
79091	FUSE 20 Ampere	14	12	79436	SCREW (.312-18 x 1.250) Stainless Steel	24	15
79550A1	BRACKET (FRONT)	58	1	79552	WASHER (.453 x .750 x .062) Stainless Steel	24	28
79695	BOOT Insulator - Black	4	5	79989	NUT (#10-24) Stainless Steel (10-24)	4	11
801861	RING Piston (STANDARD)	46	2	805059	FITTING	14	5
8052151	GASKET	38	6	805217A1	SENSOR ASSEMBLY	24	17
805218T	SENSOR	14	6	805222A1	DISTRIBUTOR ASSEMBLY	10	1
805224A1	MOTOR ASSEMBLY IAC	26	7	805226A1	SENSOR ASSEMBLY TPS	26	10
8053281	FITTING Elbow (90 Degree - .125)	14	20	8053432	SCREW (.375-16 x 4.33)	4	2
805364A1	DECAL SET Color Coding (COLOR CODE)	2	-	805367T	BRACKET	22	19
805383T	BRACKET Harness Mounting	14	15	805390	SCREW (.312-18 x 2.250)	24	10
805400	SCREW (#8-32 x .500) Stainless Steel	26	8	805400	SCREW (#8-32 x .500) Stainless Steel	26	11
805412	SEAL	24	19	805439A9	BOX ASSEMBLY Electrical Components - Use With Locking Clip	20	1
805439T3	LID Electrical Box	20	27	805459	STUD Mercathode Mounting	68	15
805559	SCREW (.375-16 x .875) Stainless Steel	10	27	805563	CONNECTOR (.500 Inch NPTF To .500 Inch Inverted Flare) (.50 Inch NPTF To .50 Inch Inv. Flare)	66	12

PARTS INDEX

Part No.	Description	Pg.	Ref.no	Part No.	Description	Pg.	Ref.no
805565	SCREW (#10-32 x .750)	68	7	805592A1	CONNECTOR ASSEMBLY	14	10
805605A1	SWITCH ASSEMBLY	14	18	805615A2	THUMB SCREW ASSEMBLY	20	17
805625	CLIP Dipstick Tube	52	20	80568932	HOSE	28	3
805691	FITTING (.250) Barb	24	13	805703	FUSE 10 Ampere (10 AMP)	20	26
805704	FUSE 15 Ampere (15 AMP)	20	26	805727	CAP Rubber	34	15
805884T	ALTERNATOR	4	8	805884T	ALTERNATOR	8	-
806121	FITTING	66	7	80622142	HOSE ASSEMBLY (84.00 Inches Bulk) Return (FITTING ON 1 END)	64	16
80622216	HOSE (FITTINGS ON BOTH ENDS)	64	14	806232	O-RING (.239 x .064)	64	15A
806235A1	HOUSING ASSEMBLY Thermostat	36	1	806250	STUD	48	5A
806582950	OWNERS MANUAL	2	-	806584950	OWNERS MANUAL	2	-
806608A1	PLUG KIT (.500-13) Royal Blue	32	7	806608A1	PLUG KIT (.500-13) Royal Blue	34	10
806609	QUAD RING	32	8	806609	QUAD RING	34	11
806611T	MODULE Knock Control	20	2	806612T	SENSOR Knock	14	7
806630T	LINE Fuel (OUTLET)	28	20	806633T	HOSE	66	11
806634T	HOSE	66	4	8066351	HOSE (PORT)	36	14
8066361	HOSE (STARBOARD)	36	15	806637T	FLAME ARRESTOR	24	5
806640	GASKET	24	12	806641T	LINE Fuel	22	17
806643A5	TANK Vapor Separator	28	1	806643A5	TANK Vapor Separator	30	1
806645T	BRACKET	28	5	806648	SPACER	28	17
806653A1	FITTING ASSEMBLY (INLET)	26	1	806654A1	FITTING ASSEMBLY (OUTLET)	26	3
806655	SEAL	26	2	806656A5	HARNESS ASSEMBLY Engine	18	
806656A6	HARNESS ASSEMBLY Engine	16		806673T	COIL Ignition	10	18
806681	SCREW (.375-16 x .875)	48	2	806689	FITTING Tee	28	18
806700T	LINE Fuel (INLET)	28	21	806702A3	SWITCH ASSEMBLY	54	18
806703	STUD	24	6	806705	Y-FITTING	14	8
806706	SEAL	26	4	806720T3	ECM Engine Control Module	20	21
806762A1	VELCRO KIT	20	1A	806825	HOSE	36	12
806856	HOSE	36	11	806871	GASKET	36	3
806898A1	THROTTLE BODY ASSEMBLY	26	5	806899	PLUG	26	6
806915	SHAFT	24	27	806916T	PLATE	24	29
806917T	CONNECTOR	24	24	806922	SLEEVE	36	6
806926A1	ELBOW KIT Drain	32	6	806926A1	ELBOW KIT Drain	34	9
806946	BOLT	24	22	806949	NUT (M8-1.5) (8MM)	4	3
806954A1	ADAPTOR ASSEMBLY TBI	24	11	806964A3	STARTER MOTOR ASSEMBLY	4	1
806964A3	STARTER MOTOR ASSEMBLY	6	1	806981	SPACER	20	18
806981	SPACER	56	18	807056	SCREW	28	13
807120	SCREW (#10-24 x 1.00)	24	18	807151A14	BODY/IMPELLER KIT	38	2
807172	FILTER Fuel/Water Separator	22	14	8072522	THERMOSTAT 71°C (160°F)	36	5
808483	CAP	10	2	808484	ROTOR	10	4
808485	SHAFT ASSEMBLY Main	10	5	808486	SHIELD	10	7
808487	RETAINER	10	6	808488	PIN	10	12
808489	WASHER	10	14	808490	GEAR	10	15
808491	SCREW	10	3	808500	O-RING KIT	30	11
808501	PLUG KIT	30	7	808502	L-JOINT KIT	30	2
808503	CONNECTOR KIT Electrical	30	10	808504	STRAINER KIT Fuel	30	9
808506	FLOAT KIT	30	3	808507	FLOAT VALVE KIT	30	4
808509	DIAPHRAGM KIT	30	6	808547	O-RING	26	9
808674	PISTON ASSEMBLY (STANDARD)	46	1	809133	STATOR	8	12
809134	PULLEY	8	3	809135	SPACER	8	4
809136	NUT	8	1	809137	LOCKWASHER	8	2
809138	BOLT	8	23	809139	FAN ASSEMBLY	8	5
809140	SPACER	8	6	809141	SCREW	8	27
809142	TERMINAL	8	28	809143	NUT	8	17
809144	COVER	8	30	809145	SET SCREW	8	31
809146	MOLD	8	16	809147	LEAD WIRE	8	33
809148	LEAD WIRE	8	32	809149	CAP	8	29
809150	ROTOR	8	11	809151	BRACKET ASSEMBLY	8	7
809152	RETAINER	8	10	809153	BEARING	8	9
809154	SCREW	8	8	809155	BRACKET ASSEMBLY	8	13
809156	O-RING	8	21	809157	NUT	8	20

PARTS INDEX

Part No.	Description	Pg.	Ref.no	Part No.	Description	Pg.	Ref.no
809158	MOLD	8	19	809159	BOLT	8	22
809160	SET SCREW	8	15	809161	CONDENSER	8	18
809162	RECTIFIER	8	14	809163	REGULATOR ASSEMBLY	8	24
809164	BRUSH	8	25	809165	SPRING	8	26
809459	HOUSING	6	14	8094631	SOLENOID	6	17
80950095	PARTS MANUAL 5.7L (Alpha/Bravo) (EFI-TBI) Engine	2	-	811637	MODULE	10	9
811638	SCREW	10	10	811639	COIL	10	8
811641	POLE PIECE	10	11	811658	CAMSHAFT	42	9
811659	SPROCKET	42	11	811662	RETAINER Lifter Guide	42	17
811663	RETAINER	42	20	811664	WASHER (.3125 Inch)	42	19
812776A31	DECAL SET	24	2	813995A1	GUIDE ASSEMBLY Spring	54	20
814001	PIN Clevis	54	16	8140021	STUD (.250 x 2.870) (2-7/8")	54	2
814263A1	BASE ASSEMBLY	58	8	814476	BUSHING	6	15
814505A1	ROCKER COVER	40	1	814822	FITTING	66	3
815425	SENDER ASSEMBLY Oil Pressure	14	2	815504105	CLAMP Worm Gear (11-18 mm)	28	4
815504206	CLAMP Worm Gear	64	19	815504220	CLAMP Worm Gear	34	16
815504220	CLAMP Worm Gear	36	8	815504232	CLAMP Worm Gear (2.50 Diameter)	36	13
815504372	CLAMP Worm Gear	62	2	815504372	CLAMP Worm Gear	62	4
8161331	FITTING	22	9A	816295T	V BELT	64	13
816331	NUT (.750-16)	58	9	8164	CONNECTING ROD	46	3
816492A6	ALARM KIT	14	14	816565	PLUG Cup (.468) (15/32")	42	2A
816608A70	CABLE KIT Ignition	10	25	816900A5	ELBOW ASSEMBLY Exhaust (PORT)	34	12
816900A9	ELBOW ASSEMBLY (STARBOARD)	34	12	817376T	HARNES ASSEMBLY Distributor Module to Ignition Coil	10	17
817403A4	BRACKET ASSEMBLY	66	2	818400A1	ADAPTER	66	5
818465	BEARING SET 5 Pair (STANDARD)	44	1	818466	BEARING SET 5 Pair (.001 USA)	44	1
818467	BEARING SET 5 Pair (.010 USA)	44	1	818468	BEARING SET 5 Pair (.020 USA)	44	1
818719A1	COVER	60	10	818832	GASKET (USE WITH RISER KITS)	32	9
818832	GASKET (USE WITH RISER KITS)	34	6	821150	PUSH ROD	22	8
821151A1	MARINE LONG BLOCK ENGINE	42	-	8232251	SERVICE MANUAL	2	-
827681	TOP COVER KIT	30	5	827682	PUMP KIT Fuel	30	8
827683	HARNES KIT	30	12	843108	WASHER (.330 x .560 x .060) Stainless Steel	24	16
848136	WASHER (.328 x .680 x .190)	42	14	85013T	BRACE	4	15
852936	SEAL (EXHAUST)	40	9	852955	REGULATOR KIT Fuel Pressure FUEL PRESSURE	26	12
852956A1	INJECTOR KIT	26	13	852957	GASKET KIT Overhaul OVERHAUL	26	14
852958	SCREW KIT	26	15	85674	BEARING SET (SET)	42	7
85701	BEARING (PAIR - STANDARD)	46	6	85702	BEARING (PAIR - .001 USA)	46	6
85703	BEARING (PAIR - .002 USA)	46	6	85704	BEARING (PAIR - .010 USA)	46	6
85705	BEARING (PAIR - .020 USA)	46	6	85802	SCREW (.375-24 x Special)	46	4
86400	WASHER	24	3	86750	SCREW (.312-18 x .620)	10	19
87114A19	MANIFOLD ASSEMBLY Exhaust	32	1	87114A19	MANIFOLD ASSEMBLY Exhaust	34	1
87284	VALVE (STANDARD)	40	6	87301	VALVE (.015 O.S.)	40	6
87631A4	COVER KIT	38	3	88033	GROMMET	28	16
880331	GROMMET	28	2	88388	O-RING	68	5
88543A3	CABLE ASSEMBLY	68	12	88641	INSULATOR	22	11
887952	HOSE (BRAVO)	36	10	89535T1	BRACKET	38	26
896091	BRACE	38	30	89876A3	BASE ASSEMBLY Fuel Filter/Water Seperator	22	9
89879	O-RING (.301 x .064)	64	15	89879	O-RING (.301 x .064)	64	17
90081A1	PULLEY	48	16	90096A1	STUD ASSEMBLY (#10-32 x Special)	10	20
90517	NUT (M10)	64	11	90562	SEAL (1.254 x .312)	38	15
91034	SPACER (.380 x 1.00 x .530)	22	22	91034	SPACER (.380 x 1.00 x .530) (1/2")	28	12
916011	SEALER Red RTV (WHERE APPLICABLE)	42	-	91892	GASKET	66	8
91964	WASHER	24	23	92152	SPACER (.27 x .75 x .38)	20	18
92850	CLAMP	60	9	93320A7	RISER KIT Exhaust (3.00 Inch) (3")	32	-
93320A7	RISER KIT Exhaust (3.00 Inch) (3")	34	-	93322A5	RISER KIT Exhaust (6.00 Inch) (6")	32	-
93322A5	RISER KIT Exhaust (6.00 Inch) (6")	34	-	94288	QUAD RING	38	13
94330	NUT (.250-20) Brass (1/4-20)	4	13	94330	NUT (.250-20) Brass (1/4-20)	20	8
94576	WEAR PLATE	38	12	94913A2	HOUSING ASSEMBLY Water Pump	38	14
94914	GASKET	38	8	94916	WEAR PLATE	38	7
95084A10	CABLE ASSEMBLY (5.00 Inches) Red	14	13	95084A9	CABLE ASSEMBLY (91.00 Inches) Red/Purple Strip	14	11

PARTS INDEX

Part No.	Description	Pg.	Ref.no	Part No.	Description	Pg.	Ref.no
9520	FLYWHEEL	44	3	9521	CRANKSHAFT	44	14
95805	CAP	64	3	96054	SOLENOID ASSEMBLY Starter	20	4
96112	STUD (.250-28 x 2.00) Throttle Cable Anchor	54	12	96112	STUD (.250-28 x 2.00) Throttle Cable Anchor	56	12
96246A4	HOSE (ALPHA)	36	21	96457	WASHER Phenolic (.27 x .81 x .062)	4	9
9687	PISTON ASSEMBLY (.030 O.S.)	46	1	9717	CYLINDER BLOCK ASSEMBLY	42	1
9718	CYLINDER HEAD ASSEMBLY	40	18	97257A1	SENDER ASSEMBLY Water Temperature	14	1
97326T	LINE Fuel	22	16	97335	SEAL Oil	48	27
97401A8	PUMP ASSEMBLY Fuel	22	1	97477A3	STUD KIT	24	21
97661	VALVE Intake-Standard Intake (STANDARD)	40	7	97662	VALVE Intake (.015 O.S.)	40	7
97664	SEAL (INLET)	40	9	97850	ELBOW 90 Degree Breather - (90 DEGREES)	24	8
97861	INSULATOR	20	11	98261	SCREW (.375-16 x .750) (ALPHA ENGINES)	4	16
98534	SCREW (.375-16 x 2.30) (2-1/4")	34	14	98602	BAFFLE (CYLINDER BLOCK)	52	6
98794	SCREW (.375-16 x 1.00)	36	7	987981	STUD (.250-20/.250-28 x 2.120)	56	2
98828	SPACER	56	4	98869A11	ELECTRODE ASSEMBLY	68	1
98880	SPRING	54	7	98880	SPRING	56	7
99237A10	BRACKET ASSEMBLY	54	1	99237A10	BRACKET ASSEMBLY	56	1
99297A1	MOUNT ASSEMBLY Rubber	60	2	99322	SPACER	60	3
99347	SCREW (.312-18 x 3.75) (3-3/4")	38	4	99356A2	COOLER ASSEMBLY	36	18
N.S.S.	Not Sold Separate	6	2	N.S.S.	Not Sold Separate	6	3
N.S.S.	Not Sold Separate	6	4	N.S.S.	Not Sold Separate	6	5
N.S.S.	Not Sold Separate	6	6	N.S.S.	Not Sold Separate	6	7
N.S.S.	Not Sold Separate	6	8	N.S.S.	Not Sold Separate	6	9
N.S.S.	Not Sold Separate	6	10	N.S.S.	Not Sold Separate	6	13
N.S.S.	Not Sold Separate	6	16	N.S.S.	Not Sold Separate	6	18
N.S.S.	Not Sold Separate	6	19	N.S.S.	Not Sold Separate (GM#3959544)	48	6