

Parts Manual

Cat.# 90-8M0124044

Revised 09-12-2020

TABLE OF CONTENTS

Cat.# 90-8M0124044

Service and Support Material	1
Maintenance Kits	3
Top and Front Covers	5
Electrical Components Starter, Alternator, and Coil Bracket	7
Electrical Components Bracket and Propulsion Control Module	11
Cylinder Block, Camshaft and Crankshaft	13
Cylinder Head and Rocker Cover	15
Pistons and Connecting Rods	17
Front Cover and Circulating Pump	19
Fuel Supply Module and Rail	21
Fuel Supply Module 2A575398 and Below	25
Fuel Supply Module 2A575399 and Up	27
Intake Manifold Assembly	29
Oil Fill Tube	31
Exhaust Manifold and Elbow	33
Exhaust System Components	37
Raw Water Cooling Crossover Assembly	39
Raw Water Cooling Cooling Hoses	41
Raw Water Cooling (Bravo) Sea Pump Hoses	43
Fresh Water Cooling Crossover Assembly	45
Fresh Water Cooling Cooling Hoses	47
Fresh Water Cooling Sea Pump Hoses	49
Fresh Water Cooling Heat Exchanger	51
Poppet Valve Assemblies	55
Water Distribution Housing Air Actuated Drain	57
Sea Water Pump	59
Remote Oil	61
Oil Pan and Pump	63
Steering System and Drive Lube Bottle	65
Shift Bracket Digital Throttle and Shift	69
Shift Bracket Bravo	71
Trim Pump Assembly	73
Trim Pump and Motor Components	75
Engine Mounts	77
Flywheel and Coupler	79
Harnesses	81
Mercathode Kit	83
Accessories	85

TABLE OF CONTENTS

Jackshaft Components.....	87
Overhaul Gasket Set 6.2L.....	93

Service and Support Material

Service and Support Material

Ref #	Part Class	Part Number	Description	Comments	Qty	Note
-	0090	8M0124044	PARTS MANUAL 6.2L MPI MCM		1	
-	0090	8M0119290	OPERATIONS MANUAL Sterndrive		1	
-	0090	8M0119297	INSTALLATION MANUAL Sterndrive		1	
-	0090	8M0119306	SERVICE MANUAL		1	
-	0090	8M0099745	OPERATION MANUAL Axius JP		AR	
-	0090	8M0099747	INSTALLATION MANUAL Axius JP		AR	
-	0092	877770K1	COOLANT MPP, 1 Gallon		1	[1]
-	0092	8M0078629	4-CYCLE OIL, SYN MPP, 1 Quart		1	[2]
-	0092	8M0078630	4-CYCLE OIL, SYN MPP, 1 Gal		1	[3]
-	0035	866340K01	FILTER Oil - Mercury Brand		1	[4]
-	0035	8M0122423	FUEL FILTER Quicksilver		1	[5]
-	0033	8M0095454	SPARK PLUG		8	

PART NOTES:

[1] - Alternate part numbers:

877770K 1MPP

877770Q 1QS

[2] - Alternate part numbers:

8M0078622QS

8M0078629MPP

8M0078635QS Canada

8M0078641MPP Canada

[3] - Alternate part numbers:

8M0078623QS

8M0078630MPP

8M0078636QS Canada

8M0078642MPP Canada

[4] - Alternate part numbers:

866340K01MPP

866340Q02Service Part

866340Q03QS

[5] - Alternate part numbers:

8M0122423QS

8M0122424MPP

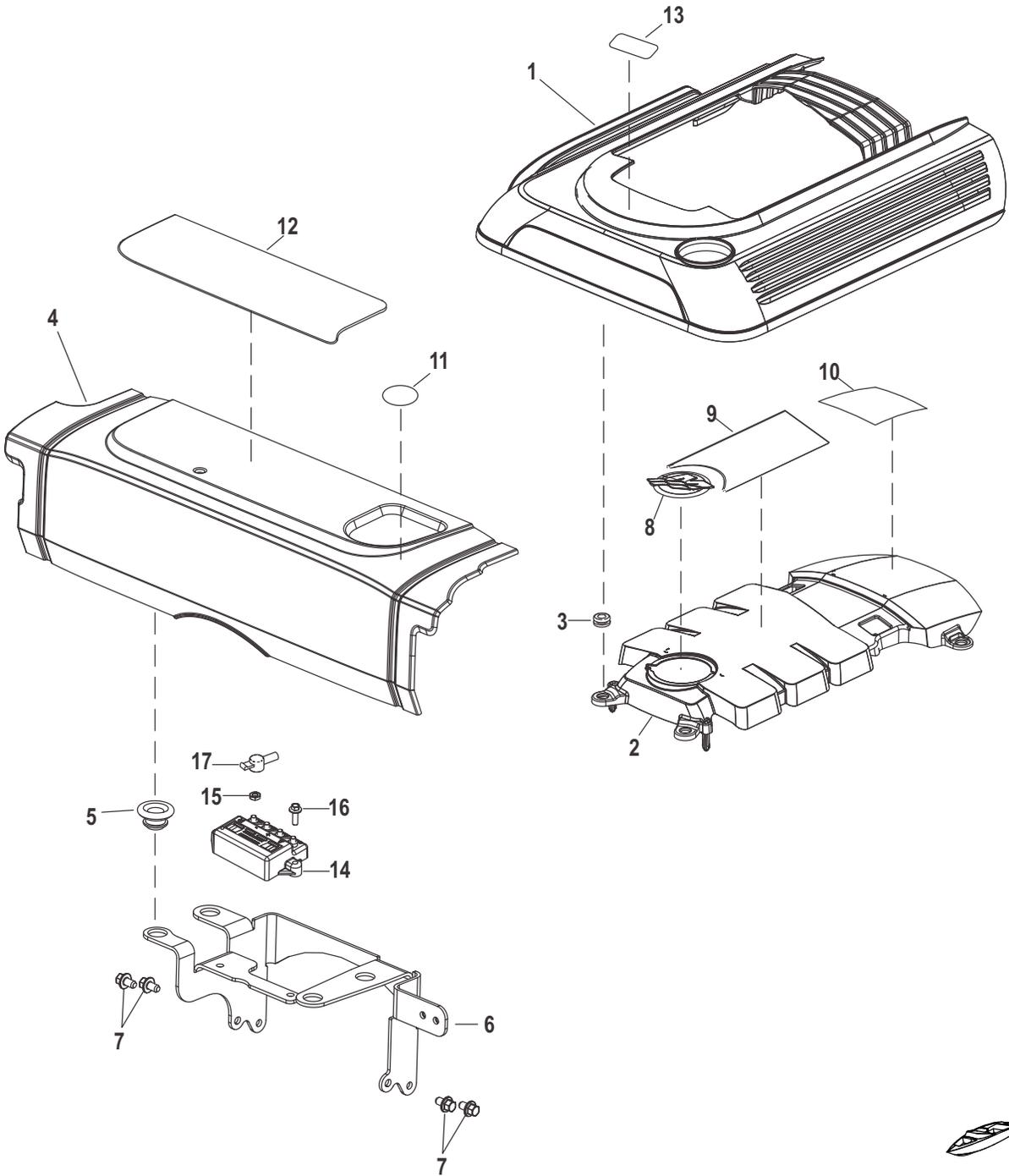
Maintenance Kits

Ref #	Part Class	Part Number	Description	Comments	Qty	Note
-	0000	8M0147052	MAINTENANCE KIT 4.5L/6.2L MPI (100 Hours)		1	
-	0035	866340K01	FILTER Oil - Mercury Brand		1	[1]
-	0035	8M0122424	FUEL FILTER Mercury		1	[2]
-	0026	830749	SEAL		2	
-	0000	8M0147070	MAINTENANCE KIT 6.2L MPI Bravo (300 Hours)		1	
-	0035	866340K01	FILTER Oil - Mercury Brand		1	[1]
-	0035	8M0122424	FUEL FILTER Mercury		1	[2]
-	0026	830749	SEAL		2	
-	0033	8M0095454	SPARK PLUG		8	
-	0000	8M0089715	THERMOSTAT 60 Degree C (140 Degree F)		1	[3]
-	0027	8M0079167	GASKET		1	
-	0027	806871	GASKET		1	
-	0057	8M0097728	BELT Serpentine		1	
-	0021	8M2017060	VALVE PCV		1	
-	0047	8M0137221	IMPELLER KIT Heavy Duty		1	

PART NOTES:

- [1] - Alternate part numbers:
 866340K01MPP
 866340Q02Service Part
 866340Q03QS
- [2] - Alternate part numbers:
 8M0122423QS
 8M0122424MPP
- [3] - Alternate part numbers:
 807252Q 4QS Kit
 807252T 4MPP Kit
 8M0089715Service Part

Top and Front Covers

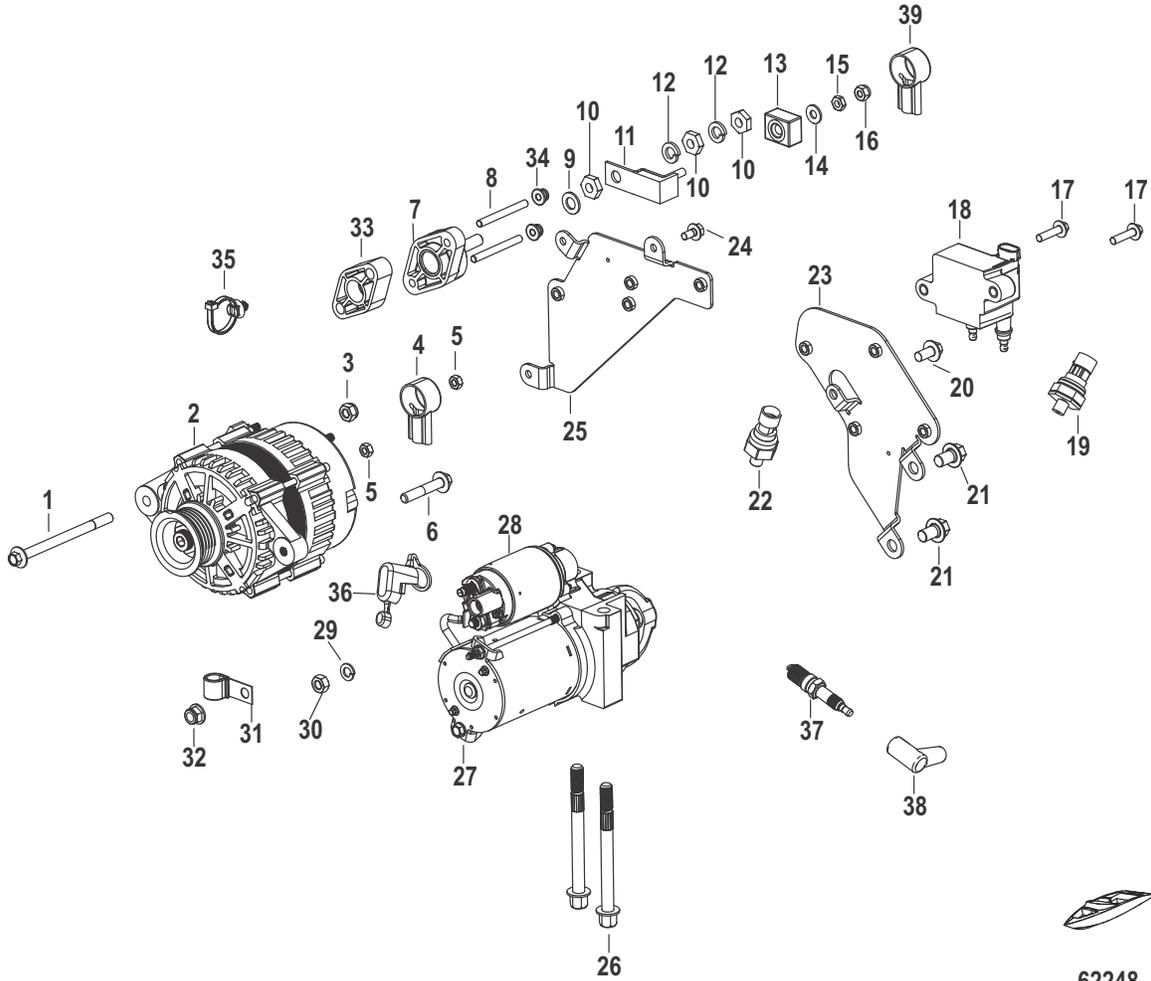


62013

Top and Front Covers

Ref #	Part Class	Part Number	Description	Comments	Qty	Note
1	0100	8M0105209	COVER Engine		1	
2	0000	8M0106637	COVER Intake		1	
3	0025	828249	GROMMET		4	
4	0100	8M0095456	COVER Front	Raw Water Cooling	1	
5	0025	8M2001671	GROMMET	Raw Water Cooling	4	
6	0000	8M0095455	BRACKET	Raw Water Cooling	1	
7	0010	8M2600010	SCREW (M6x10)	Raw Water Cooling	4	
8	0037	8M0043703	DECAL M-Icon, 66 MM, Black		1	
9	0037	8M0085347	DECAL Center Cover 6.2L		1	
9	0037	8M0085348	DECAL Center Cover 6.2L	Seacore	1	
10	0037	8M0085343	DECAL Rear Center Cover		1	
10	0037	8M0085344	DECAL Rear Center Cover	Seacore	1	
11		NSS	NOT SOLD SEPARATE Decal, No Step		1	
12	0037	8M0099722	DECAL Specifications	Raw Water Cooling	1	
13	0037	8M0099694	DECAL 300 Chrome		1	
13	0037	8M0099695	DECAL 350 Chrome		1	
NS	0037	8M0085349	DECAL Emissions Control Technology		1	
NS	0037	8M0085360	DECAL Remove Cover		1	
NS	0037	8M0042965	DECAL C.A.R.B. 4 Star		1	
14	0000	8M0100517	MERCATHODE CONTROLLER MerCathode	Raw Water Cooling	1	
15	0011	68219	NUT (#10-32) Stainless Steel	Raw Water Cooling	4	
16	0010	4010516	SCREW (M5 x 16) Stainless Steel	Raw Water Cooling	2	
17	0085	86606	BOOT Insulator - Black	Raw Water Cooling	4	
NS	0084	8M0096310	HARNESS Mercathode 3 Wire	Raw Water Cooling	1	

Electrical Components Starter, Alternator, and Coil Bracket



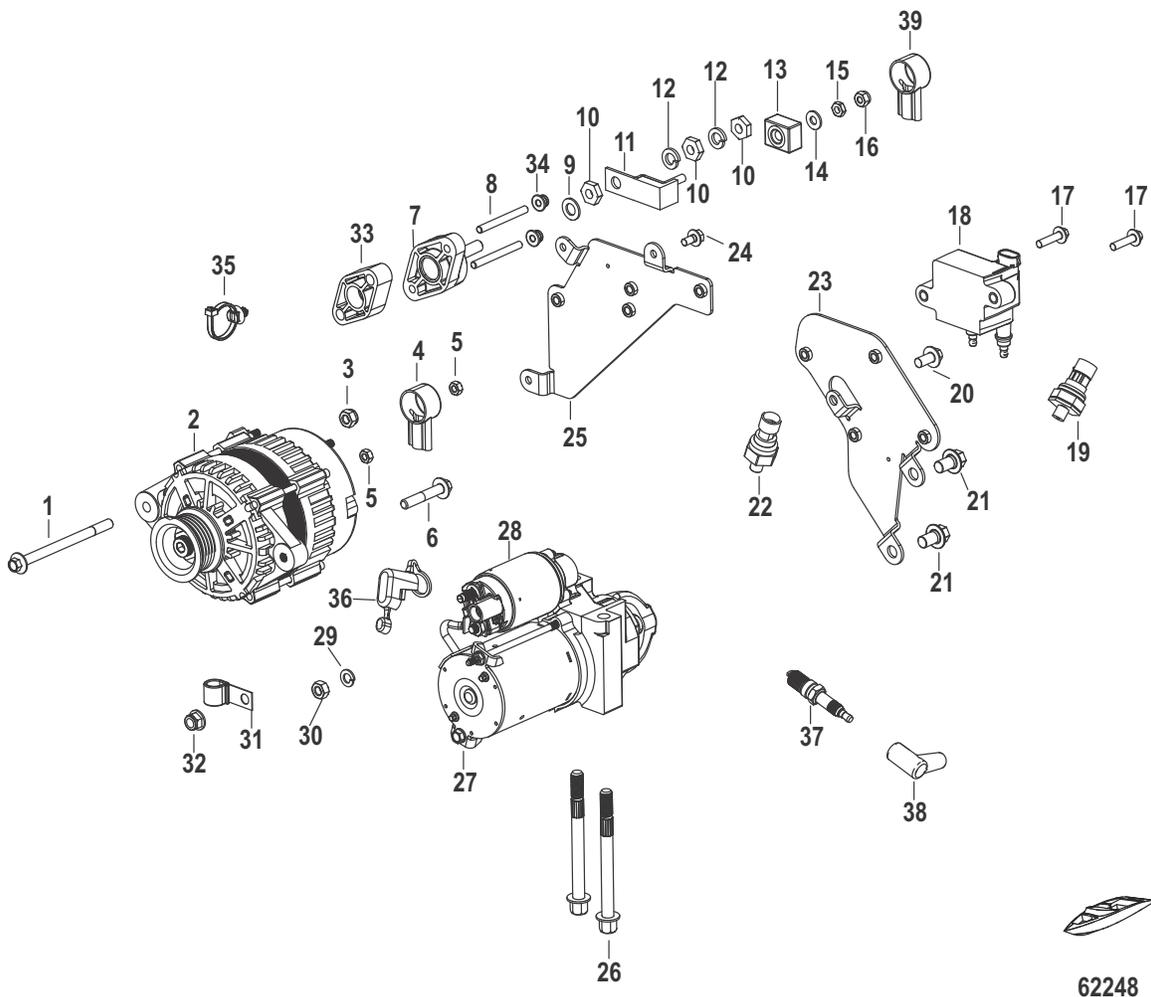
62248

Electrical Components Starter, Alternator, and Coil Bracket

Ref #	Part Class	Part Number	Description	Comments	Qty	Note
1	0010	40095110	SCREW (M8 x 110)		1	
2	0000	8M0095472	ALTERNATOR ASSEMBLY		1	
3	0011	401368	NUT (M8) Stainless Steel		1	
4	0085	8M0084147	INSULATOR		2	
5	0011	400212	NUT (M6) Stainless Steel		2	
6	0010	40011153	SCREW (M8 x 45) Stainless Steel		1	
7	0000	8M0077643	HOT STUD ASSEMBLY		1	
8	0016	8M0100156	STUD (M6 x 1 x 60)		2	
9	0012	34931	WASHER (.406 x .734 x .063) Stainless Steel		1	
10	0011	8M0089455	NUT		3	
11	0088	8M6002021	FUSE HOLDER		2	
12	0013	58643	LOCKWASHER (.375)		2	
13	0088	8M6001960	FUSE 90 Amp - Purple		1	
14	0012	35044	WASHER (.281 x .625 x .065) Stainless Steel		1	
15	0011	94330	NUT (.250-20) Brass		1	
16	0011	8267118	NUT (.250-20)		1	
17	0010	82130025	SCREW (M6 x 25)		8	
18	0300	8M0044991	IGNITION COIL Ignition Dual Output		4	
19	0000	8M6000623	SENSOR Water Pressure Water Pressure		1	
20	0010	4010716	SCREW (M8 x 16)		1	
21	0010	8M0083541	SCREW (M10 x 16)		2	
22	0000	8M6000634	PRESSURE SENSOR Oil Pressure		1	
23	0000	8M0095474	BRACKET Coil		1	
24	0010	8M0106012	SCREW (M6 x 1-12)		3	
25	0000	8M0095473	BRACKET Coil		1	
26	0010	861788	SCREW (M10 x 1.5)		2	
27	0050	8M0095471	STARTER ASSEMBLY		1	
28	0089	8M6003698	SOLENOID		1	
29	0013	26993	LOCKWASHER (.312)		1	
30	0011	400213	NUT (M8) Stainless Steel		1	
31	0054	47483	J CLIP		1	
32	0011	826365	NUT (M8)		1	
33	0000	8M0098880	OFFSET Hot Stud		1	
34	0011	892233	NUT (M6) Stainless Steel		2	
35	0054	899145	CLIP Tie Strap		1	
36	0085	8M2023920	BOOT		1	
37	0033	8M0095454	SPARK PLUG		8	[1]
38	0084	8M0104881	CABLE KIT Ignition		1	
39	0085	8M0076059	INSULATOR Hot Stud		1	
NS	0084	8M0095579	HARNESS ASSEMBLY Transom		1	
NS	0084	8M0095979	HARNESS Power		1	
NS	0084	8M0095980	HARNESS Ground		1	
NS	0084	8M0107044	HARNESS Starter to Hot Stud		2	

Electrical Components Starter, Alternator, and Coil Bracket

Electrical Components Starter, Alternator, and Coil Bracket



62248

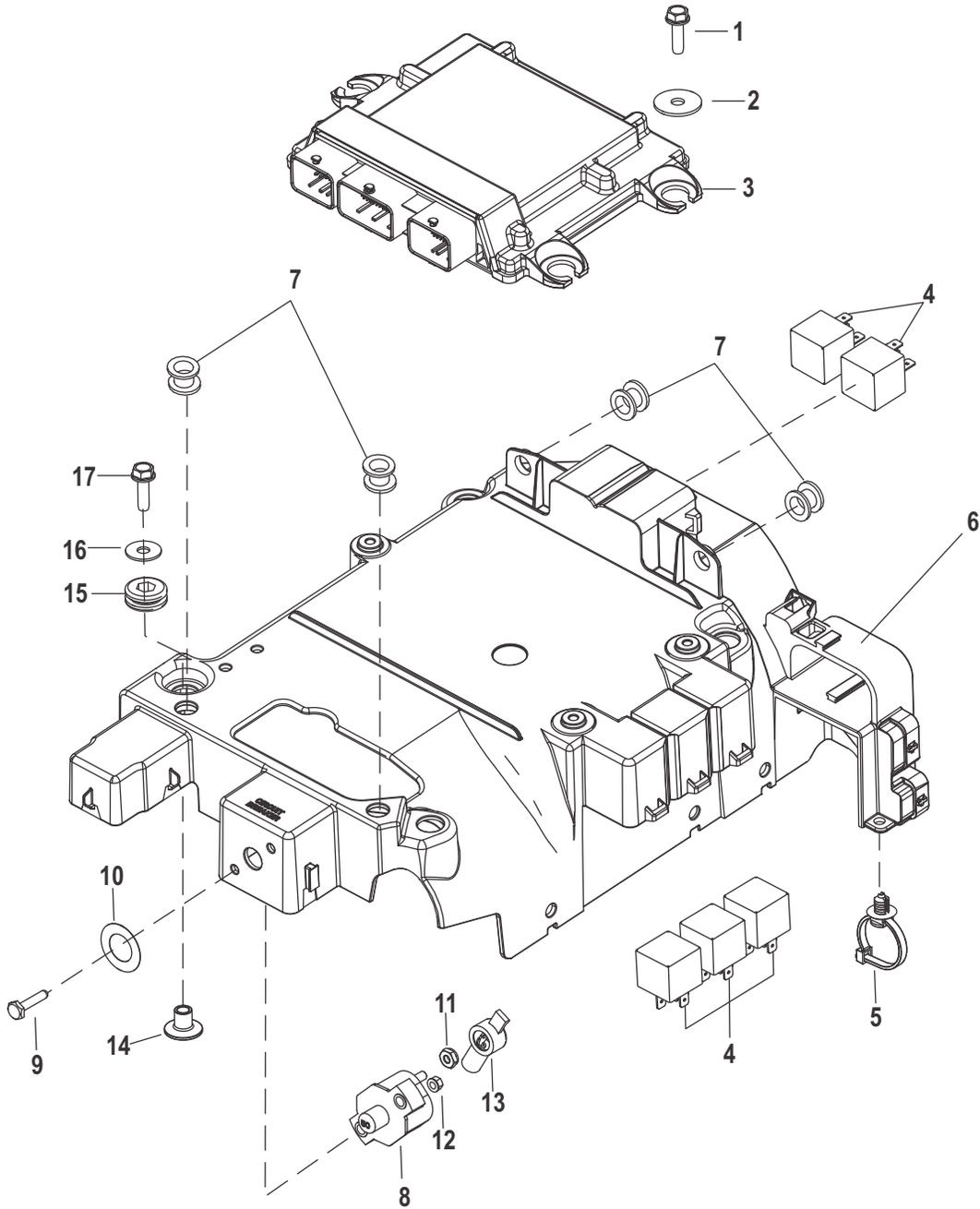
Cat.# 90-8M0124044

Electrical Components Starter, Alternator, and Coil Bracket

PART NOTES:

[1] - Component of Longblock Assembly [8M0114814]

Electrical Components Bracket and Propulsion Control Module

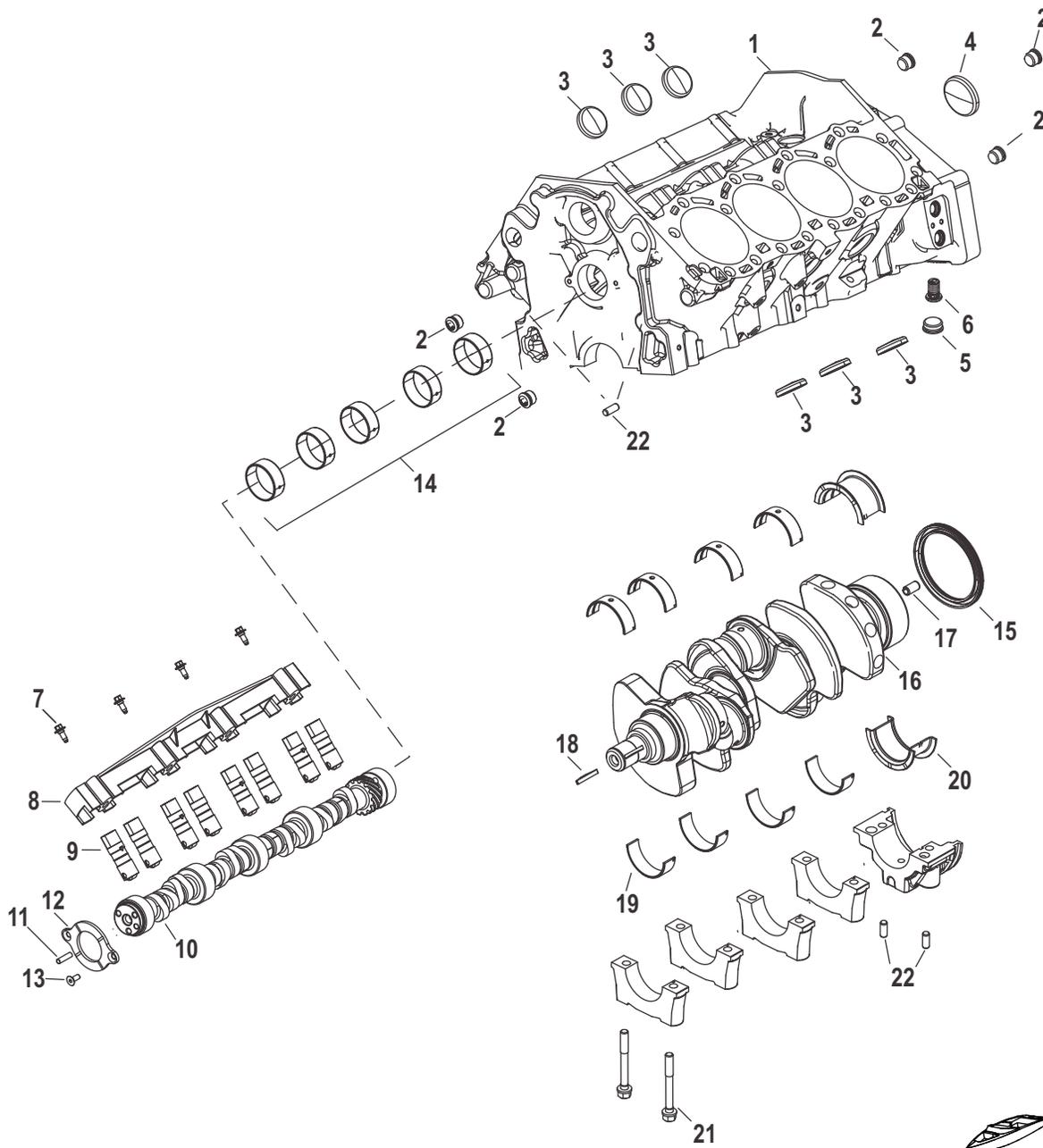


56641

Electrical Components Bracket and Propulsion Control Module

Ref #	Part Class	Part Number	Description	Comments	Qty	Note
1	0010	897445501	SCREW (M6 x 20 MM)		3	
2	0012	35280	WASHER (.255 x .620 x .030) Stainless Steel		3	
3	0077	8M0124464	PCM 300 HP DTS EC		1	
3	0077	8M0124465	PCM 350 HP DTS EC		1	
3	0077	8M0124466	PCM 300 HP DTM EC		1	
3	0077	8M0124467	PCM 350 HP DTM EC		1	
3	0077	8M0124468	PCM 300 HP DTS NON-EC		1	
3	0077	8M0124469	PCM 350 HP DTS NON-EC		1	
3	0077	8M0124470	PCM 300 HP DTM NON-EC		1	
3	0077	8M0124471	PCM 350 HP DTM NON-EC		1	
4	0000	8M0057697	CUBE RELAY		5	
5	0054	899145	CLIP Tie Strap		1	
6	0000	8M0095476	BRACKET Electrical		1	
7	0025	8M0096302	GROMMET		4	
8	0088	11178A01	BREAKER Circuit - 50 Ampere		1	
9	0010	45862	SCREW (#10-32 x .875)		2	
10	0037	72554	DECAL Circuit Breaker		1	
11	0011	68219	NUT (#10-32) Stainless Steel		2	
12	0011	826709106	NUT (#10-32) Stainless Steel		2	
13	0085	89919	BOOT Insulator - Black		2	
14	0023	856954	BUSHING		4	
15	0025	834985	GROMMET		4	
16	0012	65567	WASHER (.265 x .750 x .048) Stainless Steel		4	
17	0010	8M0103807	SCREW (M6 x 25 MM) Stainless Steel		4	
NS	0054	816311T	TIE STRAP (8.00 Inches)		10	

Cylinder Block, Camshaft and Crankshaft



58391

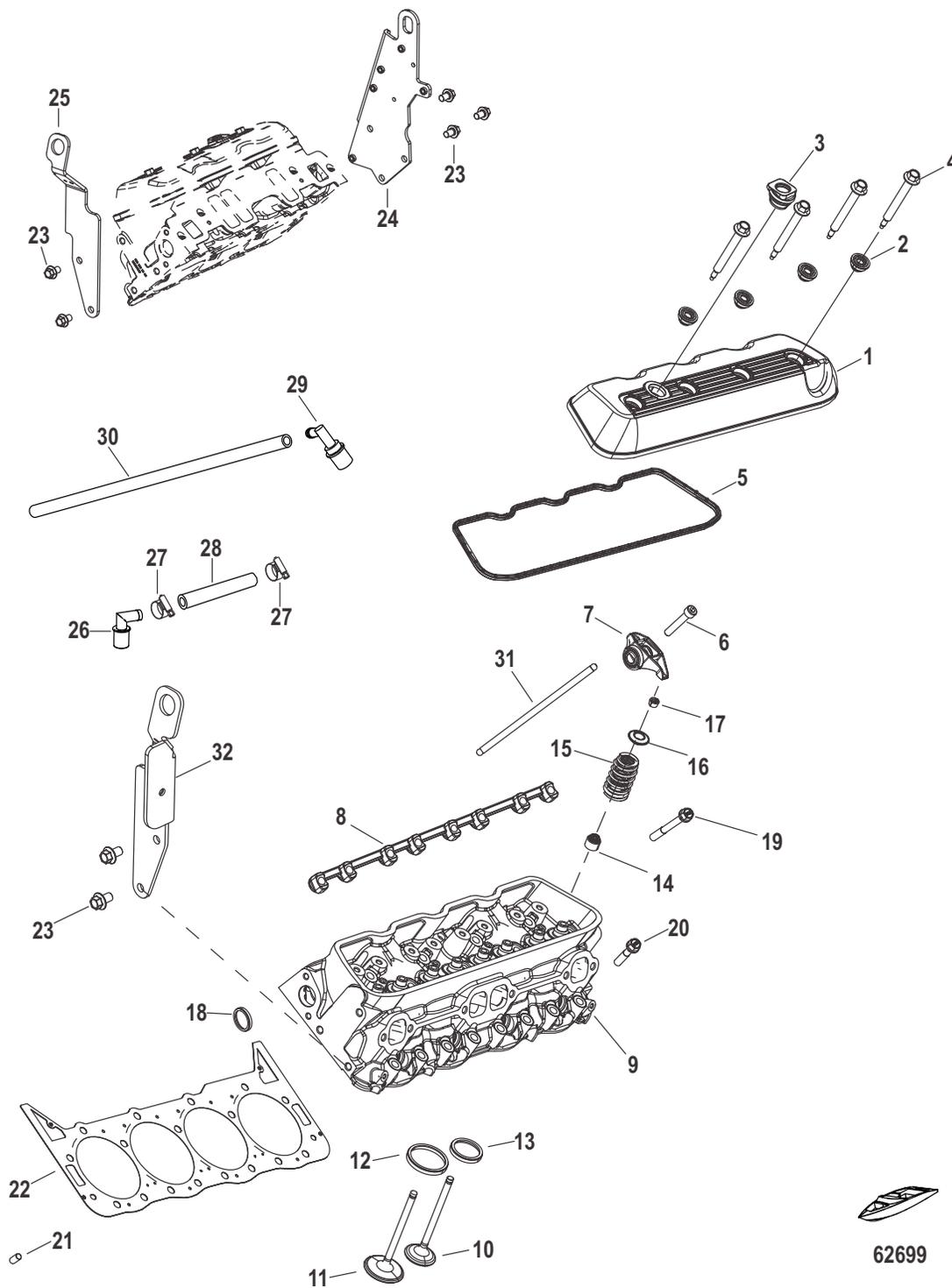
Cylinder Block, Camshaft and Crankshaft

Ref #	Part Class	Part Number	Description	Comments	Qty	Note
1		NSS	NOT SOLD SEPARATE Cylinder Block		1	[1]
2	0019	8M0087451	PLUG (18MM)		5	[1]
3	0019	8M6002412	PLUG (1.64)		6	[1]
4	0019	8M6002413	PLUG (2.14)		1	[1]
5	0019	8M0087453	PLUG (24 MM)		1	[1]
6	0000	8M6003344	VALVE ASSEMBLY Oil Bypass		1	[1]
7	0010	8M0087229	SCREW (M6)		8	[1]
8	0000	8M0107313	LIFTER GUIDE		2	[1]
9	0000	8M0117000	LIFTER		16	[1]
10	0400	8M0107025	CAMSHAFT ASSEMBLY		1	[1]
11	0017	8M0101778	PIN Dowel		1	[1]
12	0023	8M0079045	RETAINER		1	[1]
13	0010	8M0079046	SCREW		2	[1]
14	0023	8M0107106	BEARING SET Camshaft		1	[1]
15	0026	8M6002624	SEAL		1	[1]
16	0400	8M0107021	CRANKSHAFT ASSEMBLY		1	[1]
17	0017	8M0068619	PIN Dowel		1	[1]
18	0028	8M0068620	KEY		1	[1]
19	0023	8M0095916	BEARING SET Main		4	[1]
20	0023	8M0095917	BEARING SET Thrust		1	[1]
21	0010	8M0114263	SCREW (M10 x 1.50 x 86)		10	[1]
22	0017	8M0058586	PIN Dowel		4	[1]
-	0000	8M0114814	LONGBLOCK ASSEMBLY 6.2L		1	

PART NOTES:

[1] - Component of Longblock Assembly [8M0114814]

Cylinder Head and Rocker Cover



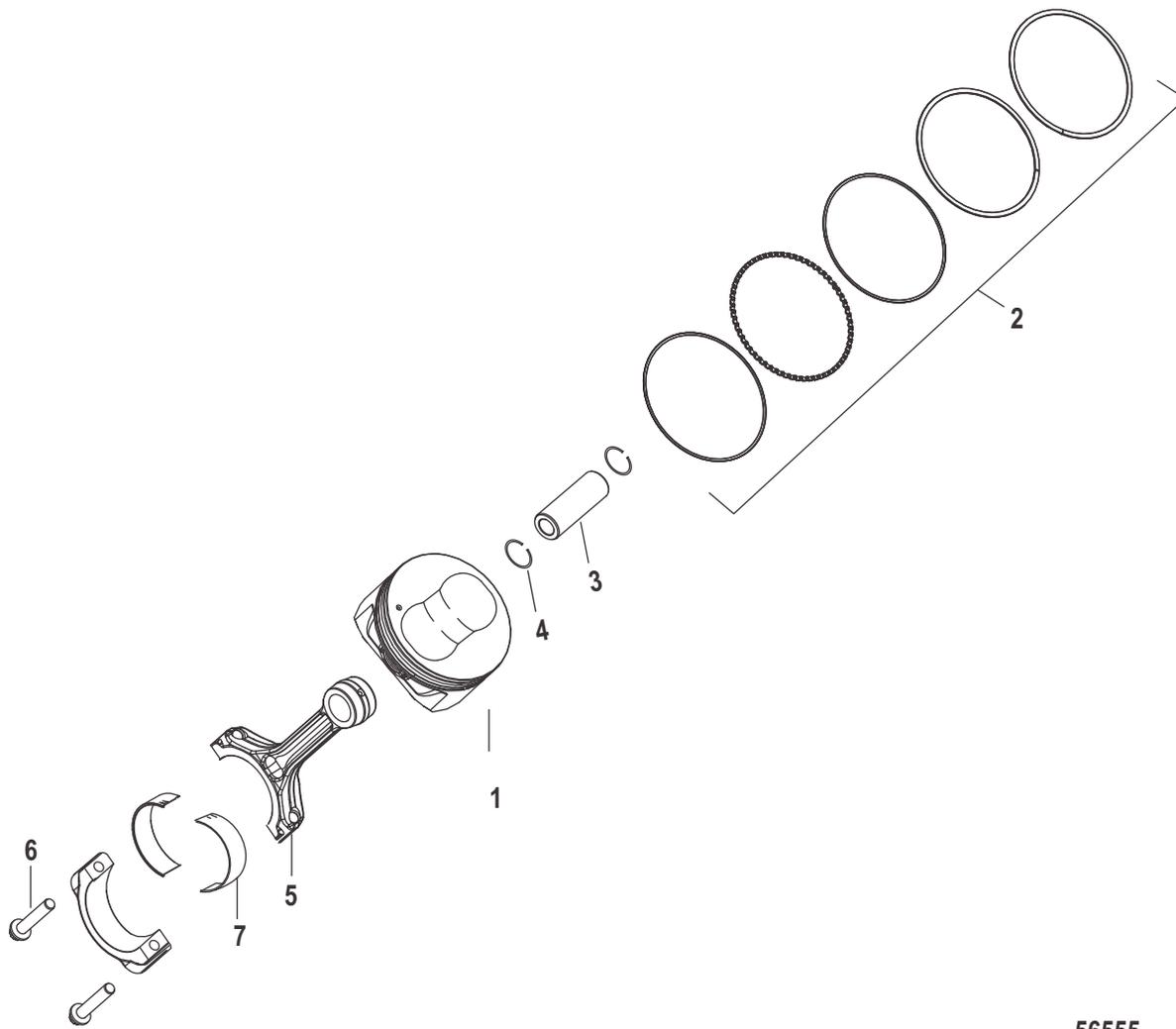
Cylinder Head and Rocker Cover

Ref #	Part Class	Part Number	Description	Comments	Qty	Note
1	0000	8M0107074	COVER ASSEMBLY, ROCKER		2	[1]
2	0000	8M0069613	GROMMET		8	[1]
3	0000	8M0070507	GROMMET		2	[1]
4	0010	8M0069612	SCREW		8	[1]
5	0027	8M0085226	SEAL Rocker Cover		2	[1]
6	0010	8M2024045	SCREW (M8 x 45)		16	[1]
7	0000	8M0095926	ROCKER ARM		16	[1]
8	0000	8M0083241	ALIGNMENT BAR		2	[1]
9	0900	8M0107023	CYLINDER HEAD ASSEMBLY		2	[1]
10	0000	8M0074362	VALVE Exhaust		8	[1]
11	0020	8M0098000	VALVE Intake		8	[1]
12		NSS	NOT SOLD SEPARATE Valve Seat (Intake)		8	[1]
13		NSS	NOT SOLD SEPARATE Valve Seat (Exhaust)		8	[1]
14	0026	8M6055000	SEAL ASSEMBLY Valve		16	[1]
15	0024	8M6002386	SPRING		16	[1]
NS	0000	8M6002848	KEY AND RETAINER ASSEMBLY		16	
16		NSS	NOT SOLD SEPARATE Spring Retainer		16	[1]
17		NSS	NOT SOLD SEPARATE Valve Stem Lock		32	[1]
18	0019	8M6002071	PLUG Expansion		2	
19	0010	8M0074833	SCREW (M10 x 1.5 x 86)		18	[1]
20	0010	8M0074832	SCREW (M10 x 1.5 x 49)		16	[1]
21	0017	23784	PIN Dowel		4	[1]
22	0027	8M6002430	GASKET Head		2	[1]
23	0010	8M0083541	SCREW (M10 x 16) Lifting Eye	Port Front	2	[1]
23	0010	8M0083541	SCREW (M10 x 16) Lifting Eye	Starboard Rear	3	[1]
23	0010	8M0083541	SCREW (M10 x 16) Alignment Eye		2	
23	0010	8M0083541	SCREW (M10 x 16) Lifting Eye	Starboard Front	2	[1]
24	0000	8M0095440	BRACKET Lifting Eye	Starboard Rear	1	[1]
25	0000	8M0091592	BRACKET Alignment Eye	Starboard Front	1	
26	0000	97850T	ELBOW 90 Degree		1	
27	0054	815504105	CLAMP Worm Gear (11-18 mm)		2	
28	0032	8M0086022	HOSE (24 Inches Bulk)		1	
29	0021	8M2017060	VALVE PCV		1	
30	0032	8M0105232	HOSE (.375 ID x .62)		1	
31	0000	8M6002874	PUSH ROD		16	
32	0000	8M0091684	BRACKET Lifting Eye	Port Front	1	[1]
-	0000	8M0114814	Longblock ASSEMBLY 6.2L		1	

PART NOTES:

[1] - Component of Longblock Assembly [8M0114814]

Pistons and Connecting Rods



56555

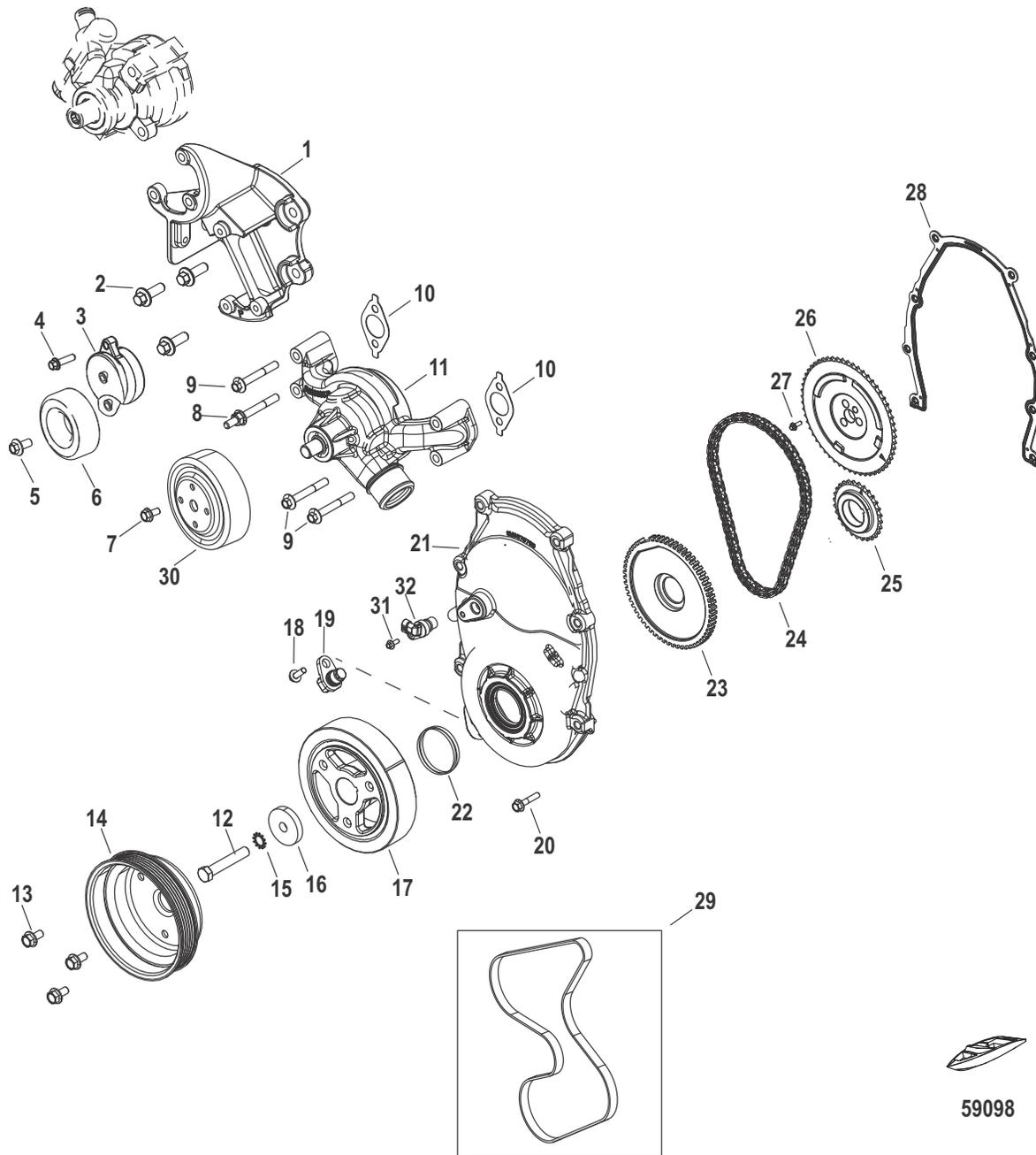
Pistons and Connecting Rods

Ref #	Part Class	Part Number	Description	Comments	Qty	Note
1	0700	8M0095919	PISTON ASSEMBLY		8	[1]
2	0039	8M0095920	RING SET Piston Standard		8	[1]
3		NSS	NOT SOLD SEPARATE Piston Pin		8	[1]
4	0040	881184	CIRCLIP		16	[1]
5	0600	8M0107022	CONNECTING ROD ASSEMBLY		8	[1]
6	0010	8M0064457	SCREW		16	[1]
7	0023	8M0107027	BEARING SET Connecting Rod		8	[1]

PART NOTES:

[1] - Component of Longblock Assembly [8M0114814]

Front Cover and Circulating Pump



59098

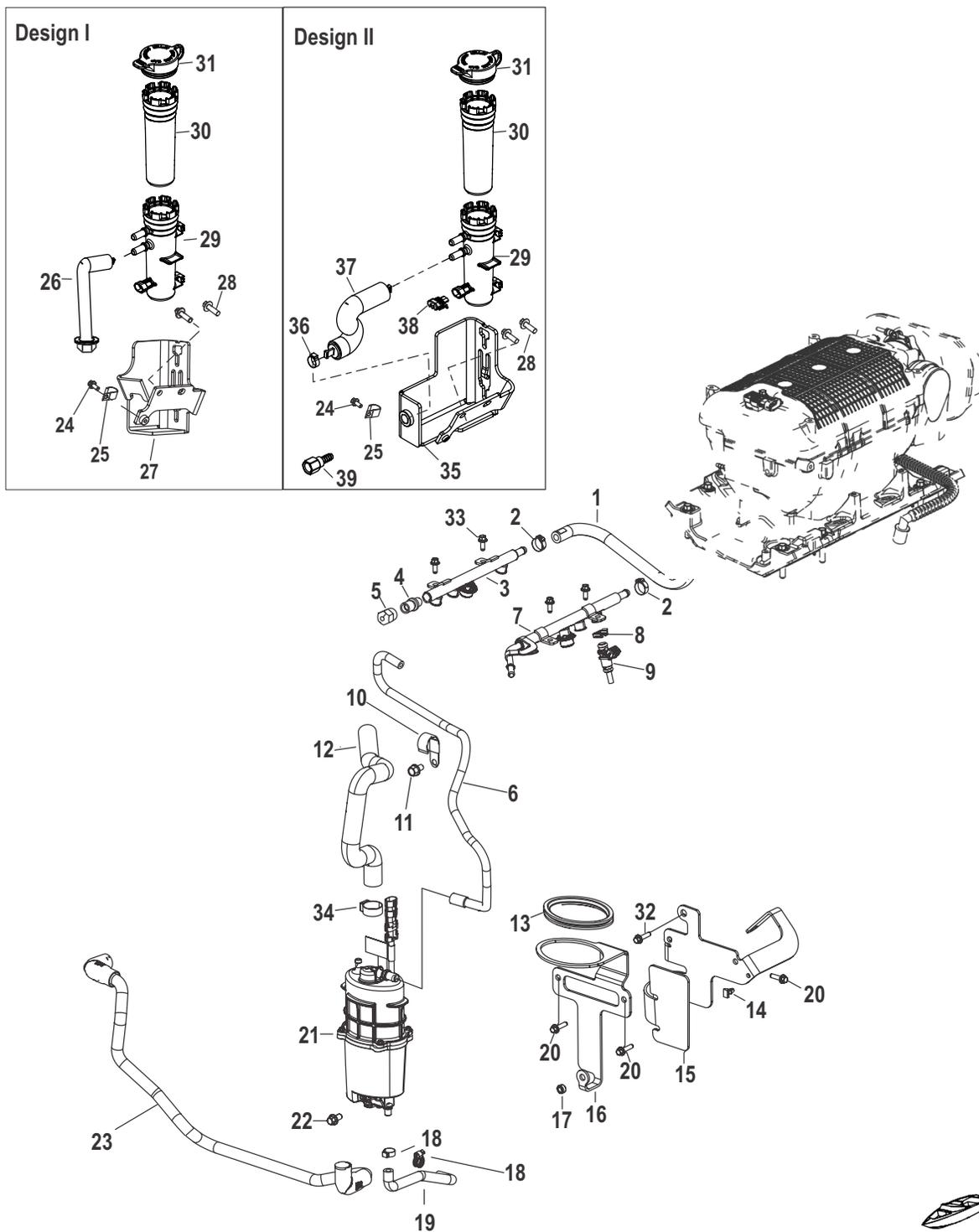
Front Cover and Circulating Pump

Ref #	Part Class	Part Number	Description	Comments	Qty	Note
1	0000	8M0116637	Bracket Steering Pump		1	
2	0010	88441430	SCREW (M10 x 30)		3	
3	0000	865597T	TENSIONER Belt		1	
4	0010	8M0140384	SCREW (M8)		2	
5	0010	4010820	SCREW (M10 x 20) Hex Flange - Stainless Steel		1	
6	0000	865777	PULLEY		1	
7	0010	8M0108016	SCREW (M8 x 1.25-16)		4	
8	0016	8M0086354	STUD (M8 x 1.25)		1	[1]
9	0010	8M0103817	SCREW (M8 x 60)		3	[1]
10	0027	8M0082419	GASKET		2	[1]
11	0046	8M0116534	PUMP ASSEMBLY Circulating		1	[1]
12	0010	8M2021674	SCREW (.437-20 x 2.50)		1	
13	0010	8M0108016	SCREW (M8 x 1.25-16)		3	
14	0000	8M0095438	PULLEY		1	
15	0013	39131	LOCKWASHER (.437)		1	
16	0012	8M0109819	WASHER		1	
17	0000	8M0114815	HARMONIC DAMPER ASSEMBLY		1	[1]
18	0010	4010618	SCREW (M6 x 18) Stainless Steel		1	[1]
19	0000	879194363	SENSOR ASSEMBLY		1	[1]
20	0010	8M2106030	SCREW (M6 x 1-30)		6	
21	0000	8M0107029	COVER ASSEMBLY Timing Chain		1	[1]
22	0026	8M6002623	SEAL Front		1	
23	0000	8M0095943	RELUCTOR WHEEL		1	[1]
24	0000	8M0107026	TIMING CHAIN SET		1	[1]
25		NSS	NOT SOLD SEPARATE Camshaft Gear		1	[1]
26		NSS	NOT SOLD SEPARATE Crankshaft Gear		1	[1]
27	0010	8M0043993	SCREW (.312-18 x.75)		3	[1]
28	0027	8M0069696	GASKET		1	[1]
29	0057	8M0097728	BELT	Raw Water Cooling	1	
29	0057	8M0088876	BELT	Fresh Water Cooling	1	
30	0000	8M0095458	PULLEY	Raw Water Cooling	1	
30	0000	8M0095461	PULLEY	Fresh Water Cooling	1	
31	0010	4006731	SCREW (M6 x 16)		1	
32	0000	8M0011986	SENSOR ASSEMBLY		1	

PART NOTES:

[1] - Component of Longblock Assembly [8M0114814]

Fuel Supply Module and Rail

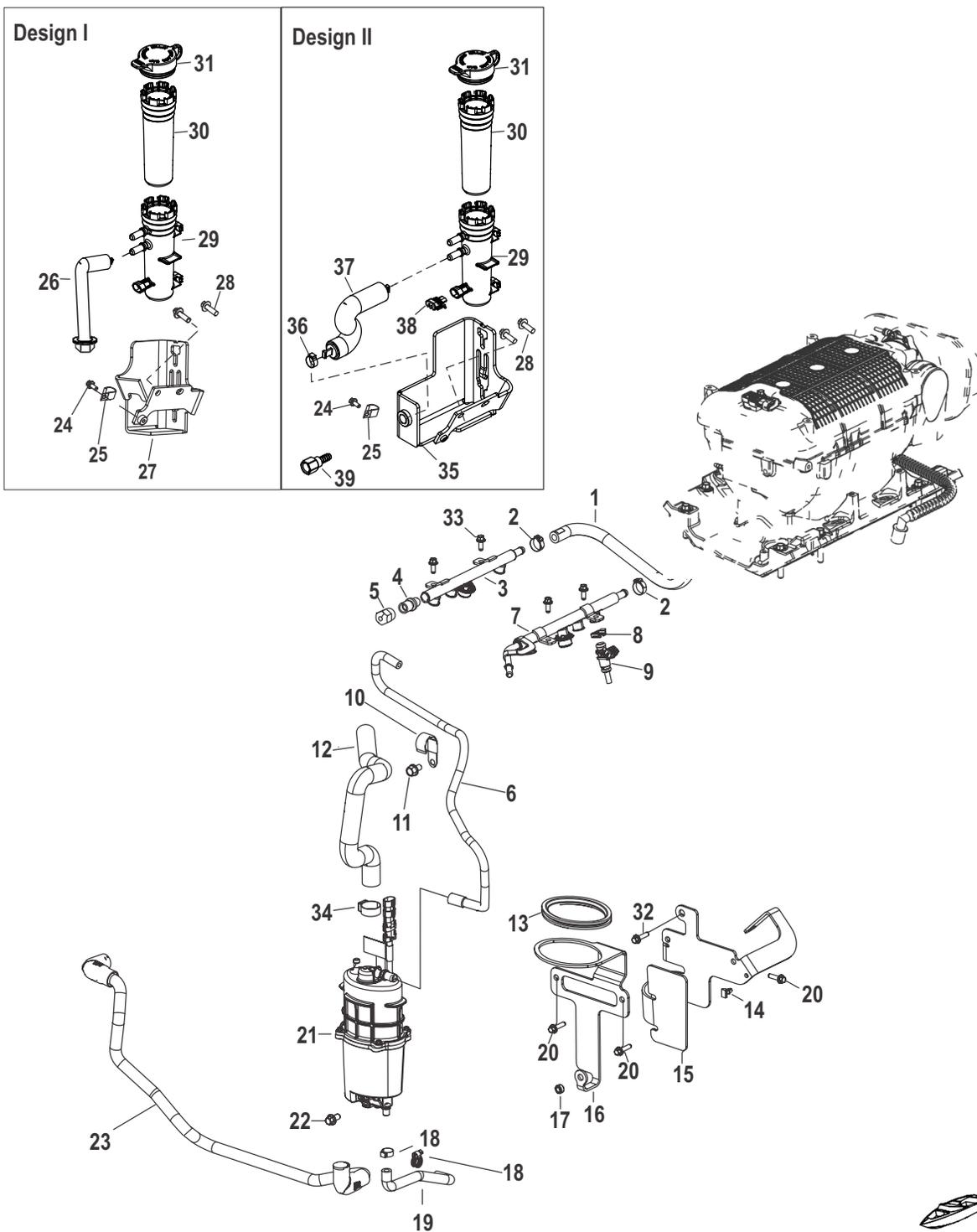


Fuel Supply Module and Rail

Ref #	Part Class	Part Number	Description	Comments	Qty	Note
1	0032	8M0105309	HOSE Balance		1	
2	0054	8M6002226	CLAMP		2	
3	0000	8M0085006	FUEL RAIL Starboard With Spacer		1	
NS	0023	8M0107935	SPACER Injector Orientation For Number 8 Injector	[2A505293] & Below	1	
4	0021	8M0044726	VALVE ASSEMBLY		1	
5	0019	8M0046566	CAP		1	
6	0032	8M0117379	HOSE Fuel Regulator to Induction Plenum		1	
7	0000	8M0085005	FUEL RAIL Port		1	
8	0000	8M2001570	CLIP		3	
9	0000	8M6002428	FUEL INJECTOR		6	
10	0054	97224	J CLIP		1	
11	0010	81893414	SCREW (M8 x 14)		1	
12	0032	8M0110657	HOSE Fuel Supply Module to Fuel Rail		1	
13	0000	8M0037209	GROMMET FSM Retainer		1	
14	0054	879962	CLIP		1	
15	0000	8M0102904	BRACKET		1	
16	0000	8M0104920	BRACKET		1	
17	0012	65567	WASHER (.265 x .750 x .048) Stainless Steel		1	
18	0054	815504105	CLAMP Worm Gear (11-18 mm)		2	
19	0032	8M0087404	HOSE Fuel Module to Water Strainer		1	
20	0010	88552616	SCREW (M8 x 16)		3	
21	0000	8M0121387	FUEL SUPPLY MODULE Dual Pump		1	
22	0010	8M0103807	SCREW (M6 x 25 MM) Stainless Steel		1	
23	0032	8M0043463	LINE ASSEMBLY Fuel Filter to Fuel Module		1	
24	0010	88552514	SCREW (M6 x 14 MM) Stainless Steel		1	
25	0054	633001	CLAMP		1	
26	0032	8M0088717	HOSE ASSEMBLY To Fuel Tank	[2A530778] THRU [2A578472]	1	
27	0000	8M0109593	BRACKET	[2A530778] THRU [2A578472]	1	
28	0010	4010725	SCREW (M8 x 25)		2	
29	0035	8M0062950	FILTER ASSEMBLY		1	
30	0035	8M0060041	FILTER Fuel		1	
31	0019	8M0086839	CAP		1	
32	0010	8M0083541	SCREW (M10 x 16)		1	
33	0010	8M0103805	SCREW (M6 x 16MM) Stainless Steel		4	
34	0054	855697	CLAMP		2	
35	0000	8M0146601	BRACKET ASSEMBLY	[2A578367] & Up	1	
36	0054	877617	CLAMP	[2A578367] & Up	1	
37	0032	8M0137059	HOSE ASSEMBLY	[2A578367] & Up	1	

Fuel Supply Module and Rail

Fuel Supply Module and Rail

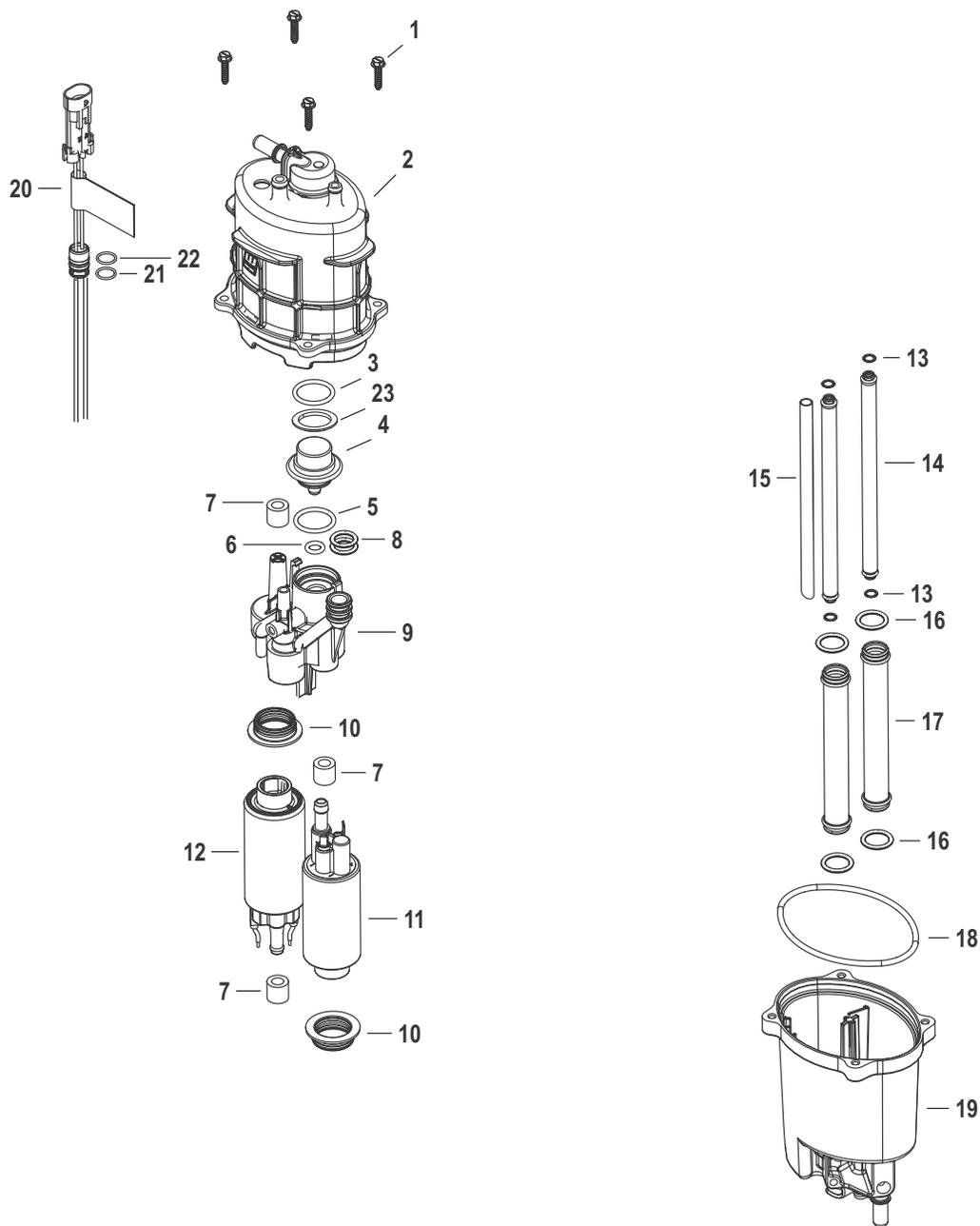


Cat.# 90-8M0124044

Fuel Supply Module and Rail

Ref #	Part Class	Part Number	Description	Comments	Qty	Note
38	0000	830797A01	CONNECTOR ASSEMBLY Weather Cap - 2 Pin Female	[2A578367] & Up	1	
39	0022	8M0126648	FITTING	[2A578367] & Up	1	

Fuel Supply Module 2A575398 and Below



48372

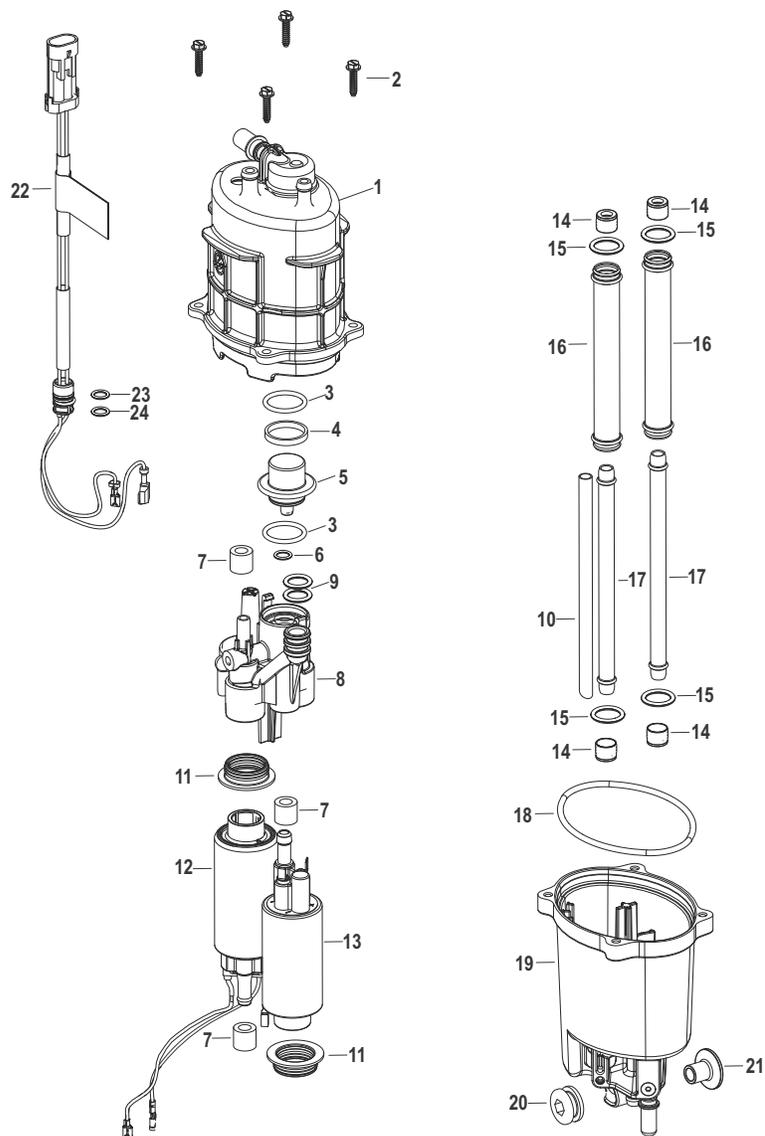
Fuel Supply Module 2A575398 and Below

Ref #	Part Class	Part Number	Description	Comments	Qty	Note
-	0000	8M0121387	FUEL SUPPLY MODULE Dual Pump		1	
1	0010	8M0053756	SCREW Plastite W/ HX WSR HD		4	
2	0000	8M0053726	FSM TOP HOUSING		1	
3		NSS	NOT SOLD SEPARATE O-Ring		1	[1]
4	0000	8M0053749	REGULATOR ASSEMBLY		1	
5		NSS	NOT SOLD SEPARATE O-Ring		1	[1]
6		NSS	NOT SOLD SEPARATE O-Ring		1	[1]
7		NSS	NOT SOLD SEPARATE Seal		3	[1]
8		NSS	NOT SOLD SEPARATE O-Ring		2	[1]
9	0000	8M0053727	FSM CAP		1	
10		NSS	NOT SOLD SEPARATE Seal		2	[1]
11	0000	8M0062771	PUMP ASSY Low Pressure		1	
12	0000	8M0062770	PUMP ASSY High Pressure		1	
13		NSS	NOT SOLD SEPARATE O-Ring		4	[1]
14	0032	8M0119250	TUBE Fuel		2	
15	0032	8M0053755	TUBE Suction		1	
16		NSS	NOT SOLD SEPARATE O-Ring		4	[1]
17	0032	8M0120073	TUBE Water		2	
18		NSS	NOT SOLD SEPARATE Seal		1	[1]
19	0000	8M0053725	FSM BOTTOM HOUSING		1	
20	0084	8M6004776	HARNESS ASSEMBLY		1	
21		NSS	NOT SOLD SEPARATE O-Ring		1	[1]
22		NSS	NOT SOLD SEPARATE O-Ring		1	[1]
23		NSS	NOT SOLD SEPARATE Spacer		1	
-	0000	8M0057679	FSM SEAL KIT		1	

PART NOTES:

[1] - Component of Fuel Module Seal Kit [8M0057679]

Fuel Supply Module 2A575399 and Up



67086

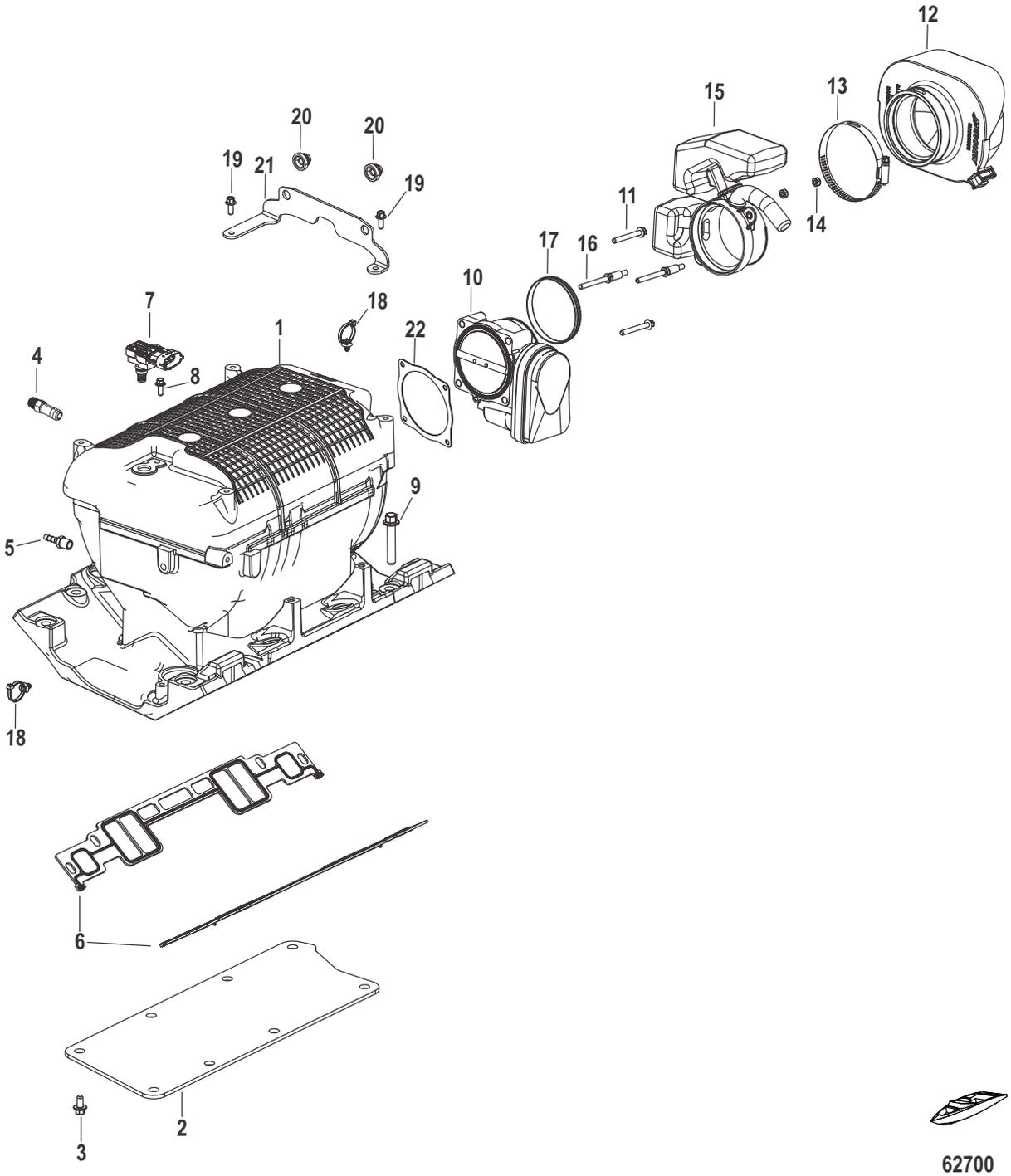
Fuel Supply Module 2A575399 and Up

Ref #	Part Class	Part Number	Description	Comments	Qty	Note
-	0000	8M0132733	FUEL SUPPLY MODULE Dual Pump		1	
1	0000	8M0053726	FSM TOP HOUSING		1	
2	0010	8M0053756	SCREW Plastite W/ HX WSR HD		4	
3		NSS	NOT SOLD SEPARATE O-Ring		2	[1]
4		NSS	NOT SOLD SEPARATE Spacer		1	[1]
5	0000	8M0053749	REGULATOR ASSEMBLY		1	
6		NSS	NOT SOLD SEPARATE O-Ring		1	[1]
7		NSS	NOT SOLD SEPARATE Seal		3	[1]
8	0000	8M0053727	FSM CAP		1	
9		NSS	NOT SOLD SEPARATE O-Ring		2	[1]
10	0032	8M0053755	TUBE Suction		1	
11		NSS	NOT SOLD SEPARATE Seal		2	[1]
12	0000	8M0062770	PUMP ASSY High Pressure		1	
13	0000	8M0062771	PUMP ASSY Low Pressure		1	
14		NSS	NOT SOLD SEPARATE Seal		4	[1]
15		NSS	NOT SOLD SEPARATE O-Ring		4	[1]
16	0032	8M0120073	TUBE Water		2	
17	0032	8M0130873	TUBE Fuel		2	
18		NSS	NOT SOLD SEPARATE Seal		1	[1]
19	0000	8M0130878	FSM BOTTOM HOUSING		1	
20	0025	895319	GROMMET		1	
21	0023	856954	BUSHING		1	
22	0084	8M6004776	HARNESS ASSEMBLY		1	
23		NSS	NOT SOLD SEPARATE O-Ring		1	[1]
24		NSS	NOT SOLD SEPARATE O-Ring		1	[1]
-	0000	8M0133370	FSM SEAL KIT		1	

PART NOTES:

[1] - Component of Fuel Module Seal Kit [8M0133370]

Intake Manifold Assembly



62700

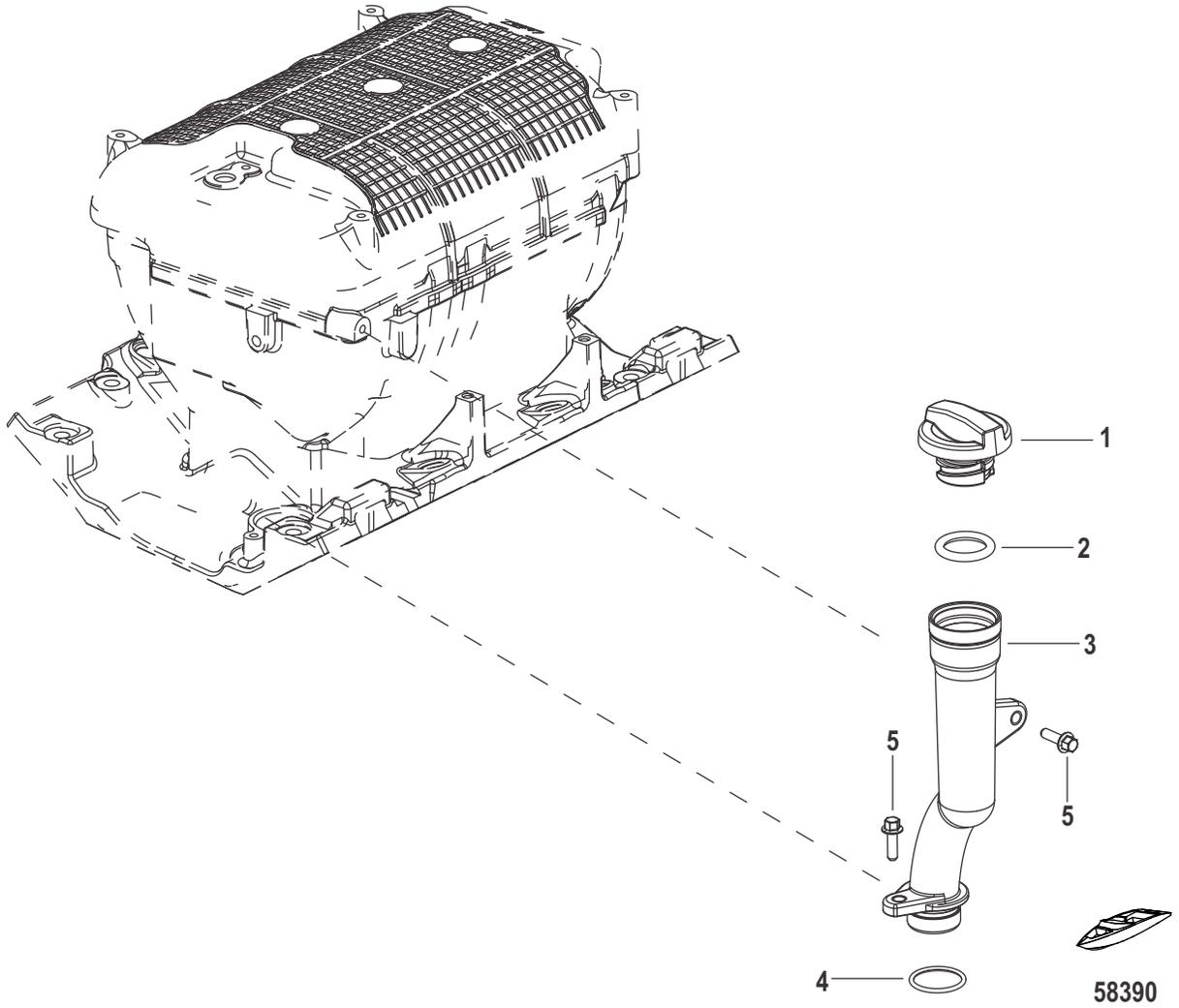
Intake Manifold Assembly

Ref #	Part Class	Part Number	Description	Comments	Qty	Note
1	0000	8M0107038	INTAKE MANIFOLD		1	
2		NSS	NOT SOLD SEPARATE Shield		1	
3	0010	8M0103804	SCREW (M6 x 12 MM) Stainless Steel		8	
4	0022	897722	FITTING Straight Crankcase Vent Valve (PCV)		1	
5	0022	859092	FITTING To Fuel Regulator		1	
6	0027	8M0082966	GASKET Intake Manifold		2	[1]
7	0000	8M6002029	SENSOR Intake Manifold Temperature/Pressure Temperature / Manifold Pressure		1	
8	0010	8M0103805	SCREW (M6 x 16MM) Stainless Steel		1	
9	0010	88552645	SCREW (M8X45)		8	
10	0000	8M0114805	THROTTLE BODY ASSEMBLY 80 MM		1	
11	0010	88552550	SCREW (M6 x 50 MM) Stainless Steel		2	
12	0000	8M0113519	FLAME ARRESTOR KIT With Clamp and Clamp Cover		1	
13	0054	8M0103048	CLAMP		1	
14	0011	8M0045046	NUT (M6) Stainless Steel		2	
15	0000	8M0114817	RESONATOR		1	
16	0016	8M0109400	STUD		2	
17	0026	866232	SEAL		1	
18	0054	899145	CLIP Tie Strap		2	
19	0010	8M0103805	SCREW (M6 x 16MM) Stainless Steel		2	
20	0025	8M0096302	GROMMET		2	
21	0000	8M0104935	BRACKET Intake Cover		1	
22	0027	8M0109442	GASKET Throttle Body		1	

PART NOTES:

[1] - Component of Longblock Assembly [8M0114814]

Oil Fill Tube



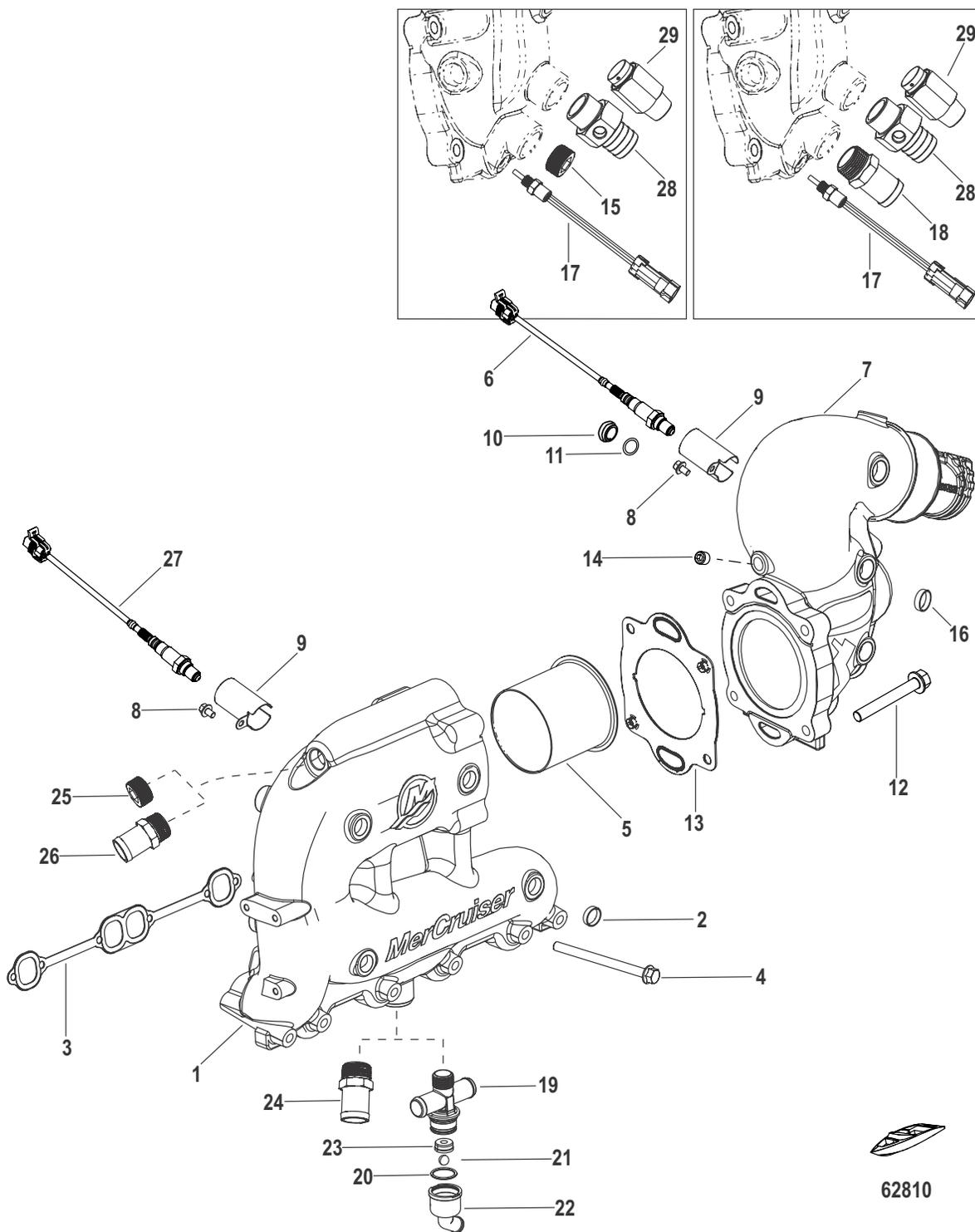
Cat.# 90-8M0124044

Oil Fill Tube

Ref #	Part Class	Part Number	Description	Comments	Qty	Note
1	0036	8M0095073	CAP Oil		1	
2	0025	8M0043174	O-RING		1	
3	0032	8M0075305	TUBE Oil		1	
4	0025	8M0044601	O-RING		1	
5	0010	88552520	SCREW (M6 x 20 MM) Stainless Steel		2	

Oil Fill Tube

Exhaust Manifold and Elbow

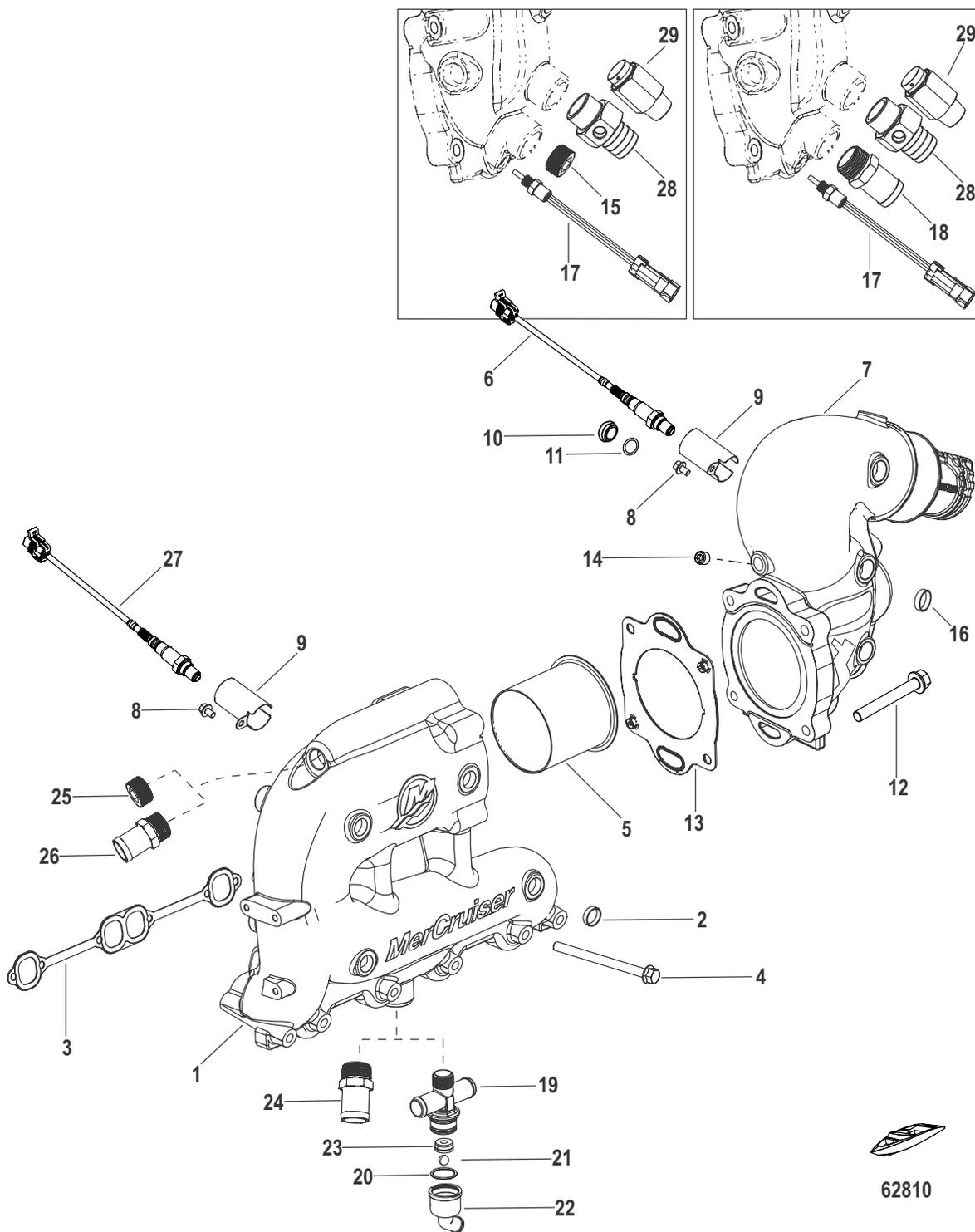


Exhaust Manifold and Elbow

Ref #	Part Class	Part Number	Description	Comments	Qty	Note
1	0000	8M0103774	MANIFOLD ASSEMBLY Exhaust Port		1	
1	0000	8M0103773	MANIFOLD ASSEMBLY Exhaust Starboard		1	
2	0019	864689	PLUG Expansion		10	
3	0027	8M2000819	GASKET		2	[1]
4	0000	8M2000229	SCREW (.375-16 x 4.75)		12	
5	0000	8M0104918	CATALYST	Catalyzed	2	
6	0000	8M2003959	SENSOR Oxygen	Catalyzed	2	
7	0000	8M0104207	ELBOW ASSEMBLY No Rise Port		1	
7	0000	8M0104208	ELBOW ASSEMBLY No Rise Starboard		1	
7	0000	8M0104209	ELBOW ASSEMBLY 2 Inch Riser (Includes Port & Starboard)		1	
7	0000	8M0104210	ELBOW ASSEMBLY 4 Inch Riser (Includes Port & Starboard)		1	
7	0000	8M0104211	ELBOW ASSEMBLY 6 Inch Riser (Includes Port & Starboard)		1	
8	0010	8M2007128	SCREW (1/4-20) Hex Flange Included in 6 Inch Elbow Assembly	6 Inch Catalyzed	4	
8	0010	8M2007128	SCREW (1/4-20) Hex Flange Included in 6 Inch Elbow Assembly	6 Inch Non-Catalyzed	2	
9	0000	8M2004597	BRACKET Cover Included in 6 Inch Elbow Assembly	6 Inch Catalyzed	4	
9	0000	8M2004597	BRACKET Cover Included in 6 Inch Elbow Assembly	6 Inch Non-Catalyzed	2	
10	0019	8M0082363	PLUG Included in Elbow Assemblies	Non-Catalyzed	2	
11	0012	8M0097283	WASHER Copper Included in Elbow Assemblies	Non-Catalyzed	2	
12	0010	668631	SCREW (.375-16 x 2.500)		4	
13	0027	8M2004606	GASKET	(Closed Cooling)	2	
13	0027	8M2004414	GASKET Included in Elbow Assemblies	(Standard Cooling)	2	
14	0022	73379	PLUG (.250-18)		AR	
15	0022	428611	FITTING Pipe - Brass (.750-14) Included in Elbow Assemblies	(Standard Cooling)	2	
16	0019	864689	PLUG Expansion Included in Elbow Assemblies		4	
17	0000	885342002	SENSOR ASSEMBLY	Temperature	2	
18	0022	866725	FITTING Straight (.750-14)	(Closed Cooling)	2	
19	0000	8M0095953	FITTING ASSEMBLY	(Standard Cooling)	2	
20	0025	864701	O-RING (1.112 x .103)	(Standard Cooling)	1	
21	0030	863129	BALL	(Standard Cooling)	1	
22	0000	862994T	FITTING	(Standard Cooling)	1	
23	0000	8M0059679	BALL SEAT Rubber	(Standard Cooling)	2	
24	0022	866725	FITTING Straight (.750-14)	(Closed Cooling)	2	
25	0022	428611	FITTING Pipe - Brass (.750-14)	(Standard Cooling)	2	
26	0022	866725	FITTING Straight (.750-14)	(Closed Cooling)	2	
27	0000	8M0095468	SENSOR O2		2	

Exhaust Manifold and Elbow

Exhaust Manifold and Elbow



62810

Cat.# 90-8M0124044

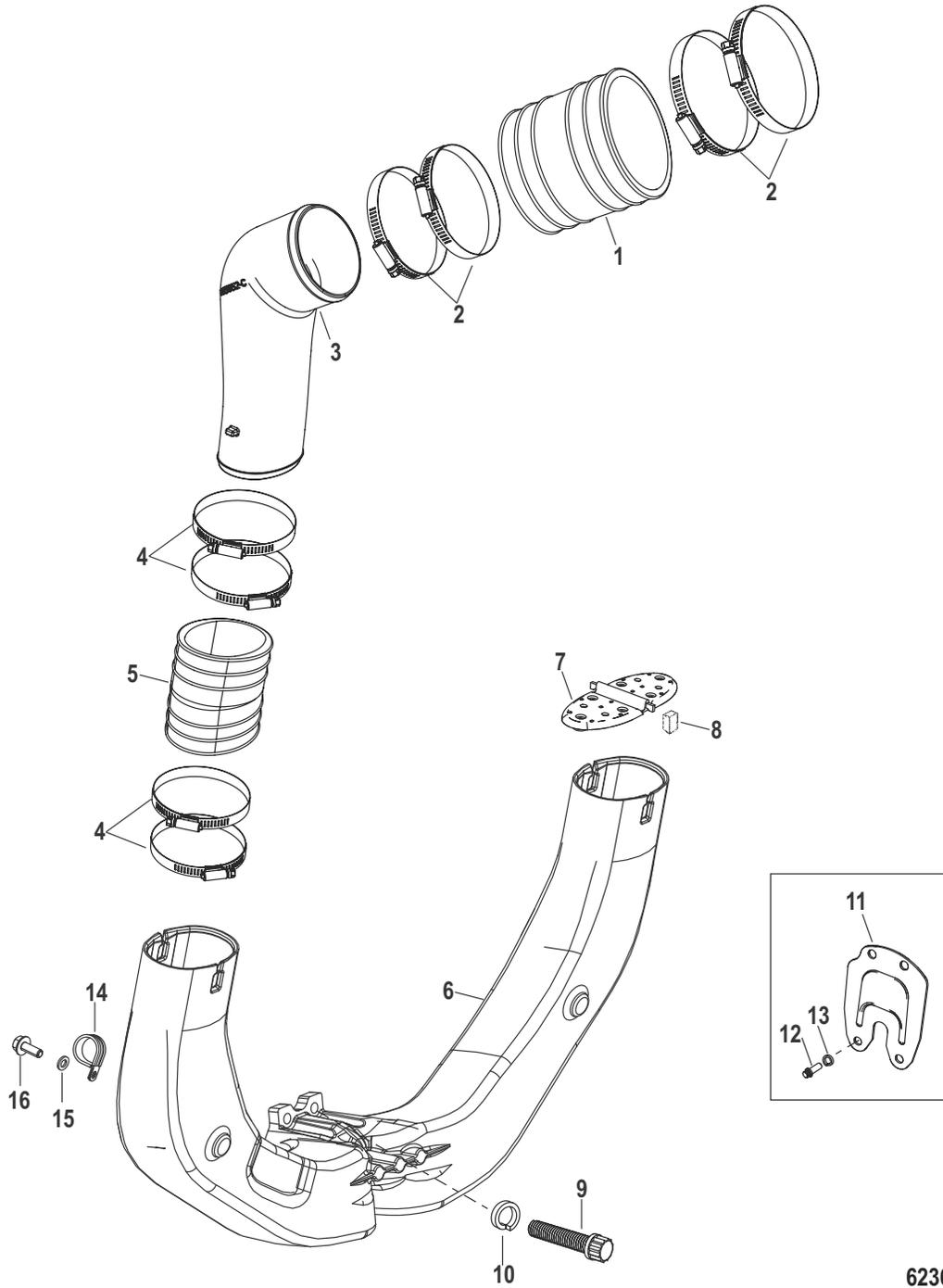
Exhaust Manifold and Elbow

Ref #	Part Class	Part Number	Description	Comments	Qty	Note
28	0022	864623	FITTING		2	
29	0021	8M0103408	CHECK VALVE		2	

PART NOTES:

[1] - Component of Longblock Assembly [8M0114814]

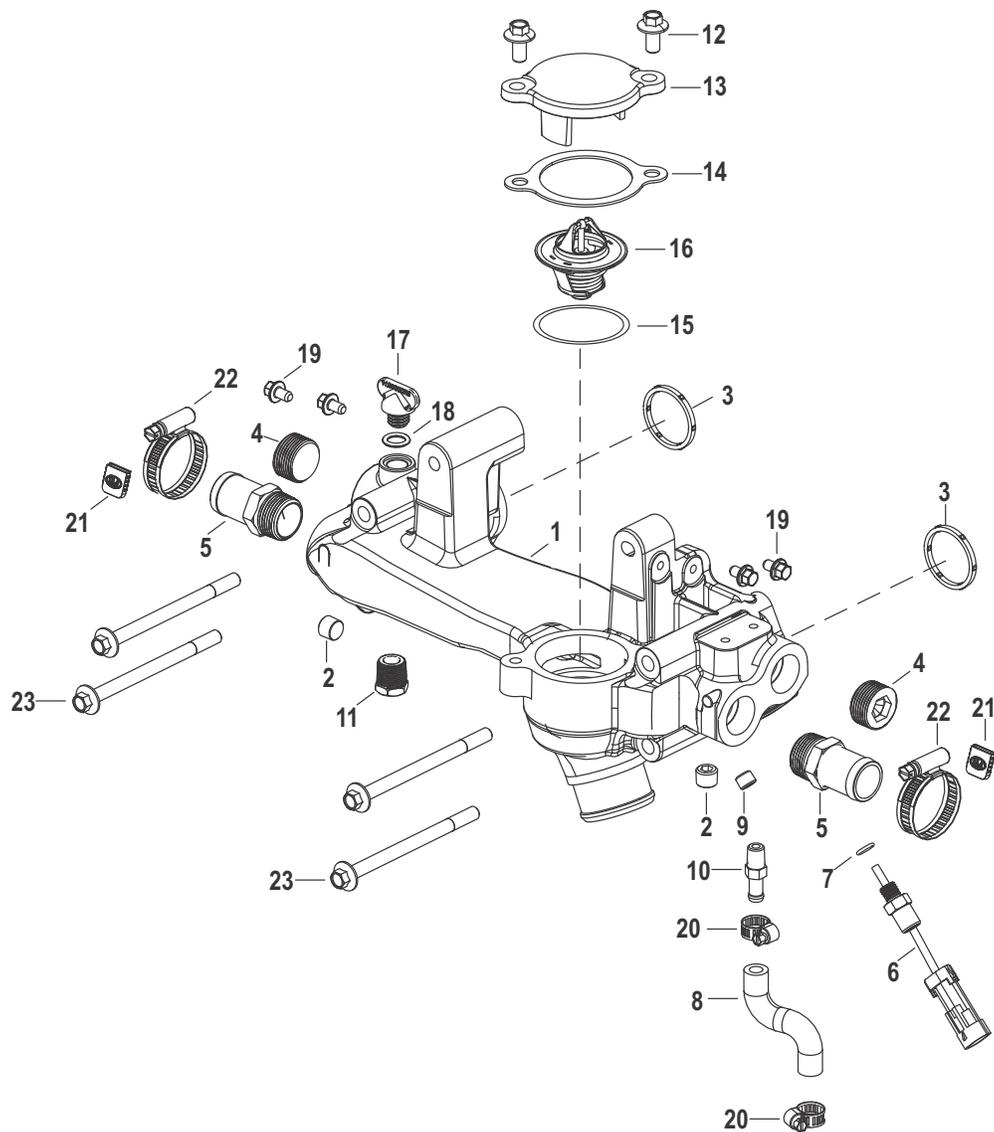
Exhaust System Components



Exhaust System Components

Ref #	Part Class	Part Number	Description	Comments	Qty	Note
1	0032	44348001	TUBE Exhaust		2	
2	0054	815504272	CLAMP Worm Gear		8	
3	0000	879288A34	ELBOW KIT Intermediate	Non Riser	1	
3	0000	879288A35	ELBOW KIT Intermediate	2 Inch Riser	1	
3	0000	879288A36	ELBOW KIT Intermediate	4 Inch Riser	1	
3	0000	879288A37	ELBOW KIT Intermediate	6 Inch Riser	1	
3	0000	879288A38	ELBOW KIT Intermediate	8 Inch Riser	1	
4	0054	815504272	CLAMP Worm Gear		8	
5	0032	14358001	TUBE Exhaust		2	
6	0000	8M0115149	PIPE Exhaust		1	
7	0000	807166A1	SHUTTER ASSEMBLY Water		2	
8	0025	807167	GROMMET		4	
9	0010	58640	SCREW (.375-16 x 1.25)		4	
10	0013	41471	LOCKWASHER (.375)		4	
11	0000	861776A2	PLATE KIT	Through Transom Exhaust	1	
12	0010	98794	SCREW (.375-16 x 1.00)	Through Transom Exhaust	4	
13	0013	41471	LOCKWASHER (.375)	Through Transom Exhaust	4	
14	0054	8M0114196	CLIP		1	
15	0012	35044	WASHER (.281 x .625 x .065) Stainless Steel		1	
16	0010	4010816	SCREW (M10 x 16) Hex Flange - Stainless Steel		1	

Raw Water Cooling Crossover Assembly



57112

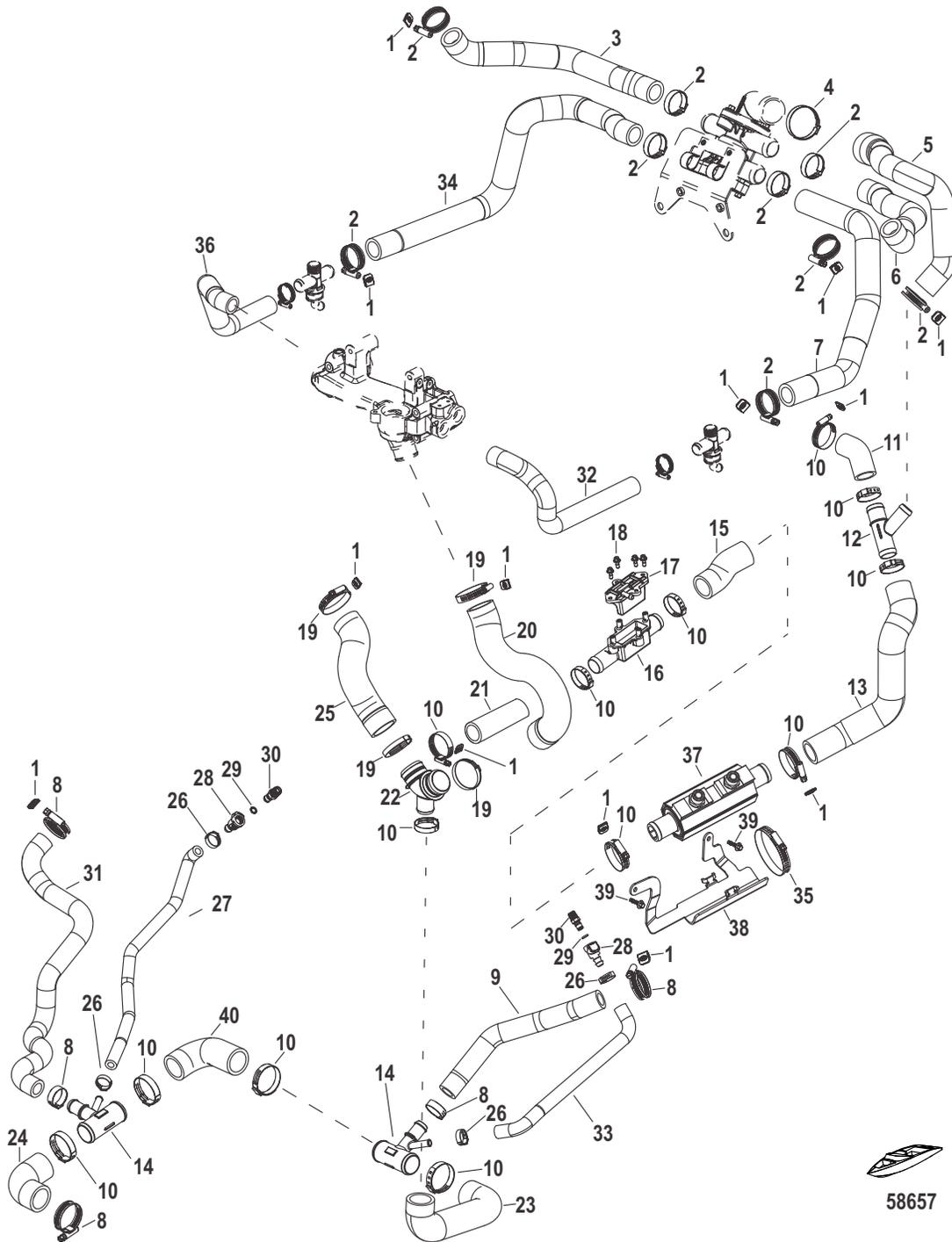
Raw Water Cooling Crossover Assembly

Ref #	Part Class	Part Number	Description	Comments	Qty	Note
1	0000	8M0107034	CROSSOVER		1	
2	0022	73379	PLUG (.250-18)		2	
3	0000	8M0081836	SEAL		2	[1]
4	0022	428611	FITTING Pipe - Brass (.750-14)		2	
5	0022	866725	FITTING Straight (.750-14)		2	
6	0000	885342002	SENSOR ASSEMBLY		1	
7	0025	896699	O-RING (1.78 mm x .08 mm)		1	
8	0032	8M0090430	HOSE FSM to Crossover		1	
9	0022	390721	PLUG Pipe (.125-27) Brass		1	
10	0022	8M0085864	FITTING		1	
11	0022	32803	PLUG Pipe (.375-18) Brass		1	
12	0010	4009516	SCREW (M8 x 16)		2	
13	0000	8M0073879	CAP		1	
14	0027	8M0079167	GASKET		1	
15	0027	806871	GASKET		1	
16	0000	8M0089715	THERMOSTAT 60 Degree C (140 Degree F)		1	[2]
17	0022	806608A02	PLUG ASSEMBLY (.500-13) Blue		1	[3]
18	0025	26802	O-RING (.424 x .103)		1	
19	0010	8M2600010	SCREW (M6x10) RWC Cover Bracket		4	
20	0054	815504105	CLAMP Worm Gear (11-18 mm)		2	
21	0019	8M0074364	CAP		AR	
22	0054	815504216	CLAMP Worm Gear (1.56 Diameter)		4	
23	0010	40095110	SCREW (M8 x 110)		4	

PART NOTES:

- [1] - Component of Longblock Assembly [8M0114790]
- [2] - Alternate part numbers:
807252Q 4QS Kit
807252T 4MPP Kit
8M0089715Service Part
- [3] - Alternate part numbers:
806608A02Service Part
806608Q01QS

Raw Water Cooling Cooling Hoses



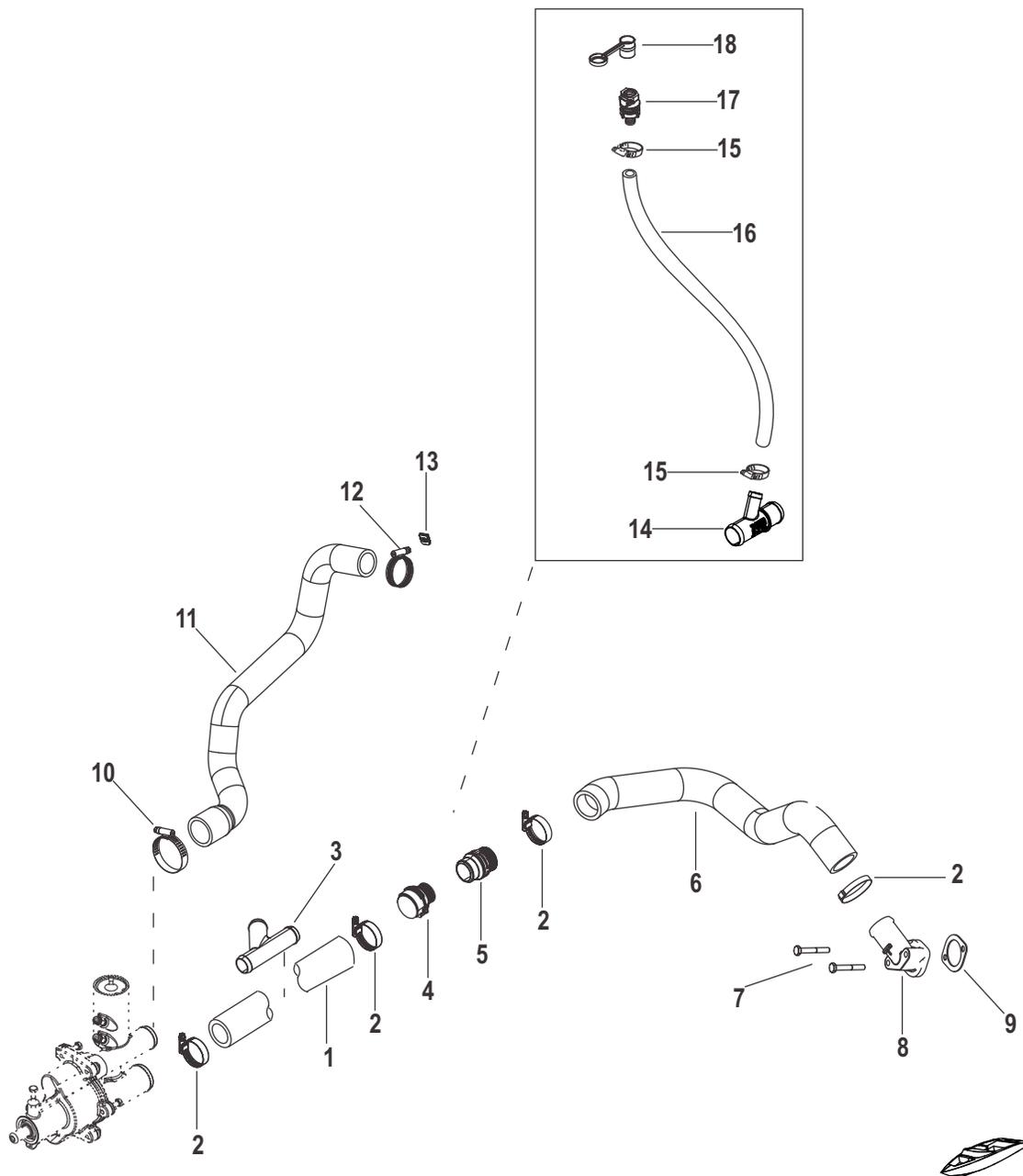
58657

Raw Water Cooling Cooling Hoses

Ref #	Part Class	Part Number	Description	Comments	Qty	Note
1	0019	8M0074364	CAP		AR	
2	0054	815504216	CLAMP Worm Gear (1.56 Diameter)		9	
3	0032	8M0099692	HOSE Connects to Upper Poppet Valve		1	
4	0054	815504232	CLAMP Worm Gear (2.50 Diameter)		1	
5	0032	8M2023916	HOSE Y Fitting to Poppet Valve Cover		1	
6	0032	8M0100541	HOSE Connects to Upper Poppet Valve		1	
7	0032	8M0038313	HOSE Connects to Lower Poppet Valve		1	
8	0054	815504212	CLAMP Worm Gear		5	
9	0032	8M0099109	HOSE Port Manifold Drain		1	
10	0054	815504222	CLAMP Worm Gear (1.98 Diameter)		10	
11	0032	8M0082286	HOSE Steering Cooler to Y Fitting		1	
12	0022	8M2003728	Y-FITTING		1	
13	0032	8M0099539	HOSE Y Fitting to Drain Fitting		1	
14	0022	8M0088893	FITTING Drain		2	
15	0032	8M0099294	HOSE Drain Fitting to Strainer		1	
16	0000	8M0095457	STRAINER ASSEMBLY		1	
17	0000	8M0097249	COVER		1	
18	0010	8M0086279	SCREW (M6)		4	
19	0054	815504232	CLAMP Worm Gear (2.50 Diameter)		4	
20	0032	8M0117029	HOSE Y Fitting to Crossover		1	
21	0032	8M0087038	HOSE Strainer to Distribution Housing		1	
22	0022	8M0107045	FITTING Y		1	
23	0032	8M0098992	HOSE Drain Fitting to Y Fitting		1	
24	0032	8M0080675	HOSE Distribution Housing to Drain Fitting		1	
25	0032	8M0117030	HOSE Y Fitting to Circulation Pump		1	
26	0054	815504210	CLAMP Worm Gear		4	
27	0032	8M0035079	HOSE Starboard Block Drain		1	
28	0022	862225	FITTING		2	
29	0025	627021	O-RING (.301 x .070)		2	
30	0022	862603	FITTING		2	
31	0032	8M0035110	HOSE Exhaust Manifold to Drain Fitting		1	
32	0032	8M0098457	HOSE Crossover to Port Manifold		1	
33	0032	8M0099107	HOSE Port Block Drain		1	
34	0032	8M0099900	HOSE Connects to Poppet Valve; Starboard Bottom		1	
35	0054	815504244	CLAMP Worm Gear Cooler		1	
36	0032	8M0118130	HOSE Crossover to Manifold		1	
37	0000	8M0107033	OIL COOLER		1	
38	0000	8M0105201	BRACKET		1	
39	0010	8M0082256	SCREW (M6 x 1)		2	
40	0032	8M0098984	HOSE Drain Fitting to Drain Fitting		1	

Raw Water Cooling Cooling Hoses

Raw Water Cooling (Bravo) Sea Pump Hoses

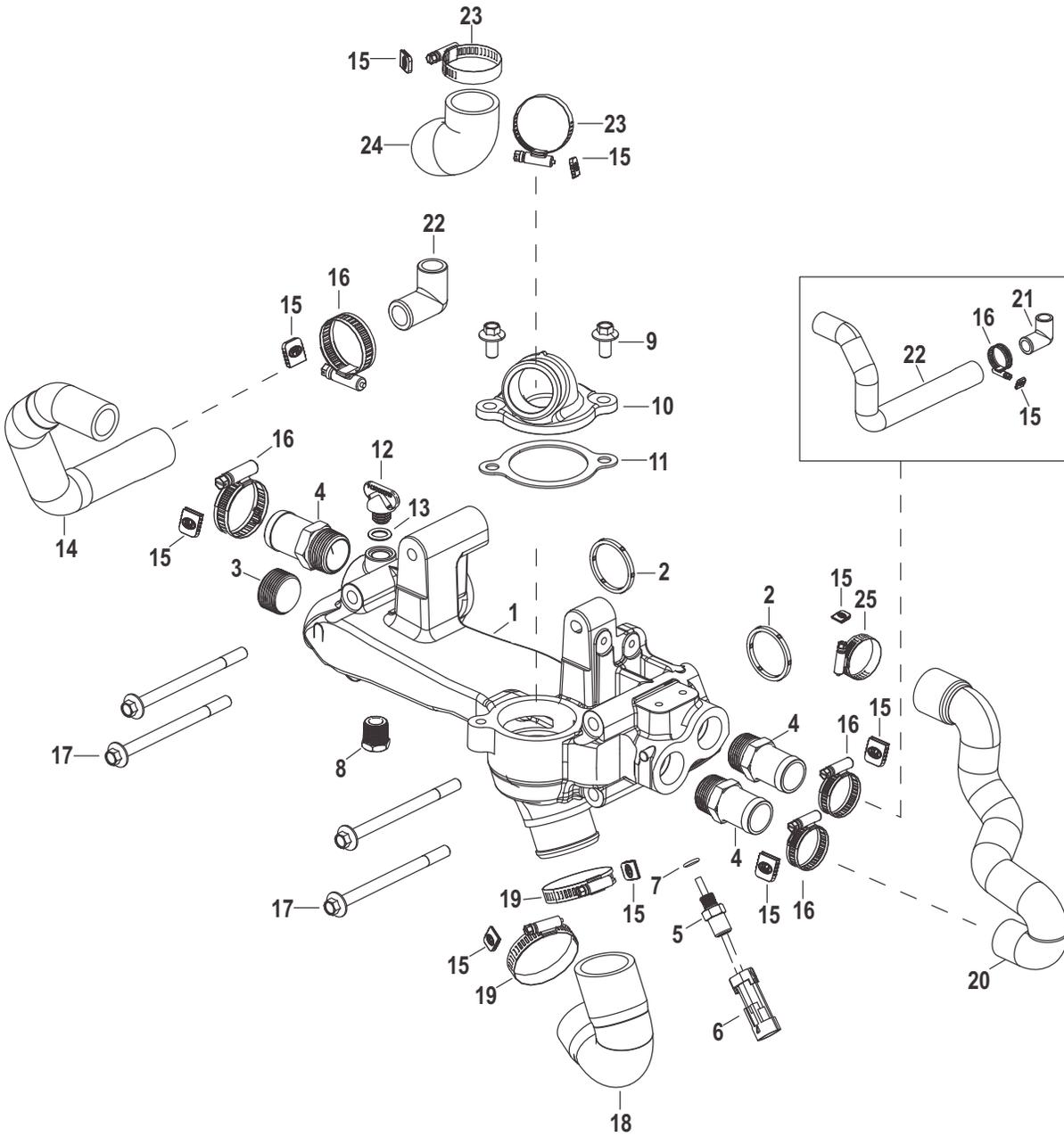


62393

Raw Water Cooling (Bravo) Sea Pump Hoses

Ref #	Part Class	Part Number	Description	Comments	Qty	Note
1	0032	8M0062666	HOSE (96.00 Inches Bulk) Cut to Length		1	
2	0054	815504222	CLAMP Worm Gear (1.98 Diameter)		AR	
3	0022	864727	FITTING Y, (3) 1-1/4 In. OD Hose Barbs	Dual Drain Applications	AR	
4	0022	865362	QUICK CONNECT Replace if Adding Flush Kit		1	
5	0022	865324	QUICK CONNECT		2	
6	0032	8M0109511	HOSE		1	
7	0010	73015	SCREW (.250-20 x 1.75)		2	
8	0000	8M0114793	HOUSING Inlet Blue		1	
9	0027	8M0109475	GASKET		1	
10	0054	815504228	CLAMP Worm Gear		1	
11	0032	8M2023904	HOSE		1	
12	0054	815504220	CLAMP Worm Gear		1	
13	0019	8M0074364	CAP		1	
NS	0098	8M0123083	FLUSH KIT		AR	
14	0022	8M4501756	FITTING		1	
15	0054	815504212	CLAMP Worm Gear		2	
16	0032	8M0062635	HOSE 42.00 inch Bulk		1	
17	0022	861406	SOCKET		1	
18	0019	858240	CAP		1	

Fresh Water Cooling Crossover Assembly



56857

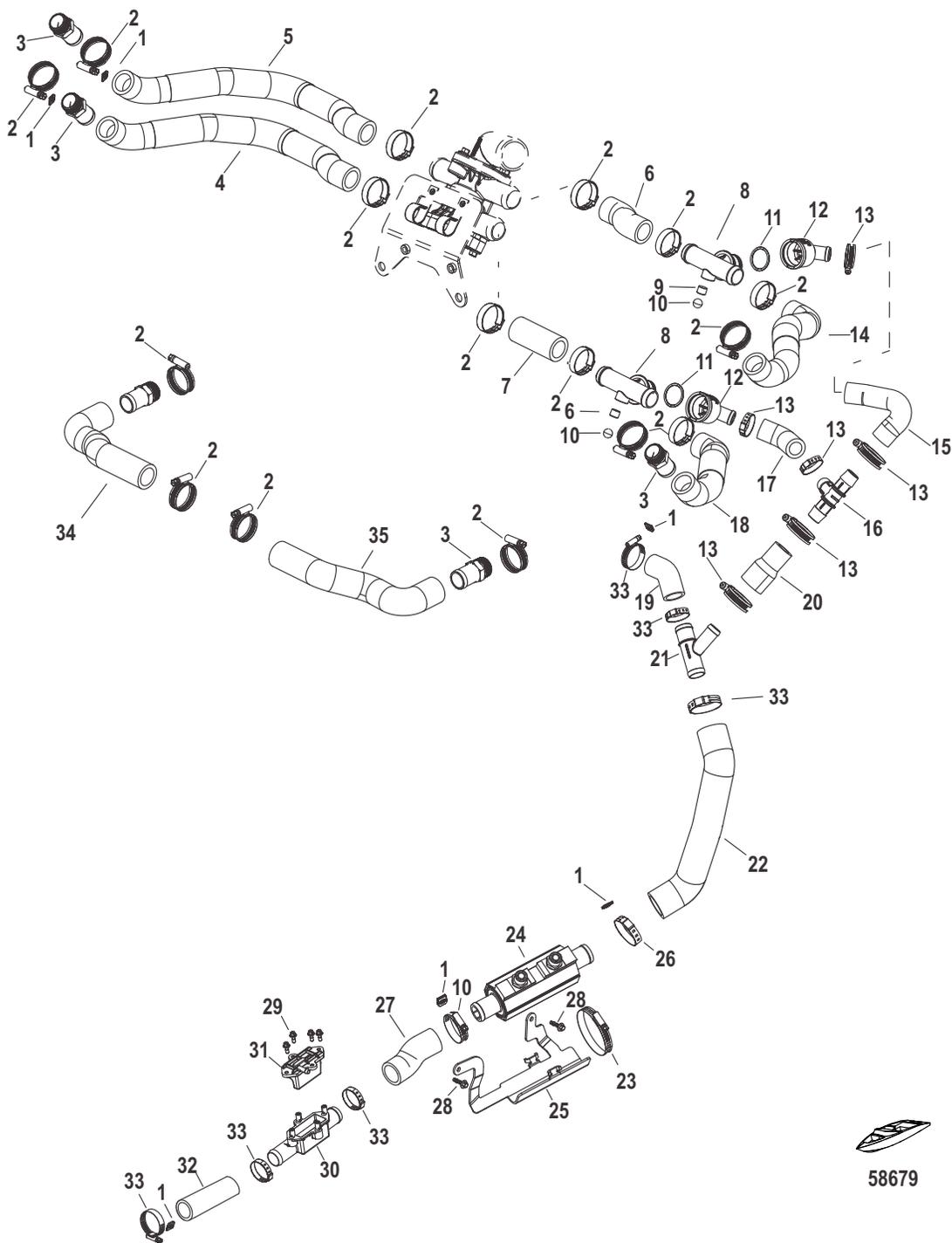
Fresh Water Cooling Crossover Assembly

Ref #	Part Class	Part Number	Description	Comments	Qty	Note
1	0000	8M0107035	CROSSOVER		1	
2	0000	8M0081836	SEAL		2	[1]
3	0022	428611	FITTING Pipe - Brass (.750-14)		1	
4	0022	866725	FITTING Straight (.750-14)		3	
5	0000	885342002	SENSOR ASSEMBLY		1	
6	0000	830796A1	CONNECTOR ASSEMBLY		1	
7	0025	896699	O-RING (1.78 mm x .08 mm)		1	
8	0022	32803	PLUG Pipe (.375-18) Brass		1	
9	0010	4009516	SCREW (M8 x 16)		2	
10	0000	8M0078403	CAP		1	
11	0027	8M0079167	GASKET		1	
12	0022	806608A02	PLUG ASSEMBLY (.500-13) Blue		1	[2]
13	0025	26802	O-RING (.424 x .103)		1	
14	0032	8M0073900	HOSE Crossover to Starboard Manifold		1	
15	0019	8M0074364	CAP		AR	
16	0054	815504216	CLAMP Worm Gear (1.56 Diameter)		5	
17	0010	40095110	SCREW (M8 x 110)		4	
18	0032	8M2023903	HOSE Crossover to Circulating Pump		1	
19	0054	815504232	CLAMP Worm Gear (2.50 Diameter)		2	
20	0032	8M0088736	HOSE Crossover to Thermostat Housing		1	
21	0022	36305T	ELBOW		2	
22	0032	8M0094253	HOSE Crossover to Port Manifold		1	
23	0054	815504224	CLAMP Worm Gear		2	
24	0032	8M0078831	HOSE Exchanger to Crossover		1	
25	0054	815504222	CLAMP Worm Gear (1.98 Diameter)		1	

PART NOTES:

- [1] - Component of Longblock Assembly [8M0114790]
 [2] - Alternate part numbers:
 806608A02Service Part
 806608Q01QS

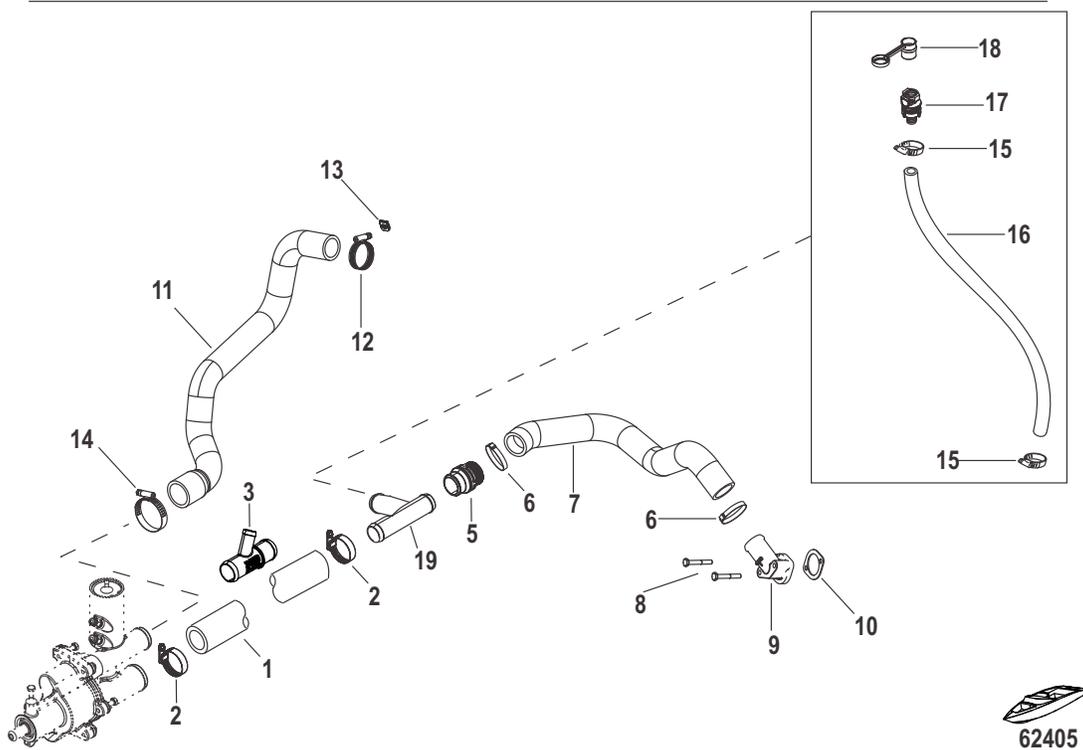
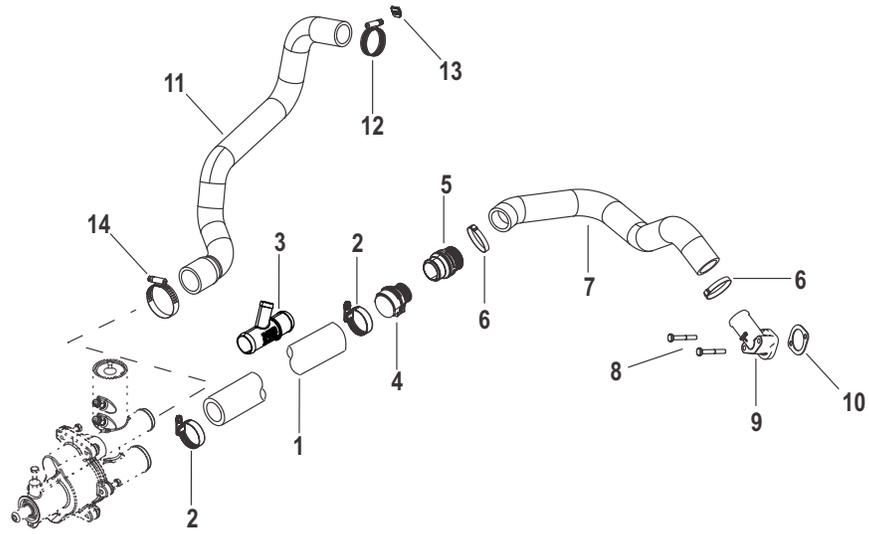
Fresh Water Cooling Cooling Hoses



Fresh Water Cooling Cooling Hoses

Ref #	Part Class	Part Number	Description	Comments	Qty	Note
1	0019	8M0074364	CAP		AR	
2	0054	815504216	CLAMP Worm Gear (1.56 Diameter)		12	
3	0022	866725	FITTING Straight (.750-14)		4	
4	0032	8M0099693	HOSE Poppet to Elbow, Starboard Bottom		1	
5	0032	8M0099692	HOSE Poppet to Elbow, Starboard Top		1	
6	0032	8M0096712	HOSE Poppet to T Drain		1	
7	0032	8M0096726	HOSE Poppet to T Drain		1	
8	0022	8M2012295	FITTING ASSEMBLY		2	
9	0022	73379	PLUG (.250-18)		2	
10	0030	863129	BALL		2	
11	0025	864701	O-RING (1.112 x .103)		2	
12	0000	862994T	FITTING		2	
13	0054	815504212	CLAMP Worm Gear		7	
14	0032	8M0095813	HOSE T Fitting to Elbow		1	
15	0032	8M0095765	HOSE Upper Drain Fitting to T Fitting		1	
16	0022	863478	FITTING Tee		1	
17	0032	8M0095761	HOSE Low Drain to T Fitting		1	
18	0032	8M0095814	HOSE T Drain to Lower Elbow		1	
19	0032	8M0082286	HOSE Steering Cooler to Y Fitting		1	
20	0032	8M0097146	HOSE Y Fitting to T Fitting		1	
21	0022	8M2003728	Y-FITTING		1	
22	0032	8M0099539	HOSE Y Fitting to Cooler		1	
23	0054	815504244	CLAMP Worm Gear Clamp		1	
24	0000	8M0107033	OIL COOLER		1	
25	0000	8M0105201	BRACKET		1	
26	0054	815504220	CLAMP Worm Gear		1	
27	0032	8M0099294	HOSE		1	
28	0010	8M0082256	SCREW (M6 x 1)		2	
29	0010	8M0086279	SCREW (M6) Cooler to Strainer		4	
30	0000	8M0095457	STRAINER ASSEMBLY		1	
31	0000	8M0097249	COVER		1	
32	0032	8M0087038	HOSE		1	
33	0054	815504222	CLAMP Worm Gear (1.98 Diameter)		6	
34	0032	8M0115076	HOSE Manifold to Heat Exchanger		1	
35	0032	8M0115075	HOSE Manifold to Heat Exchanger		1	

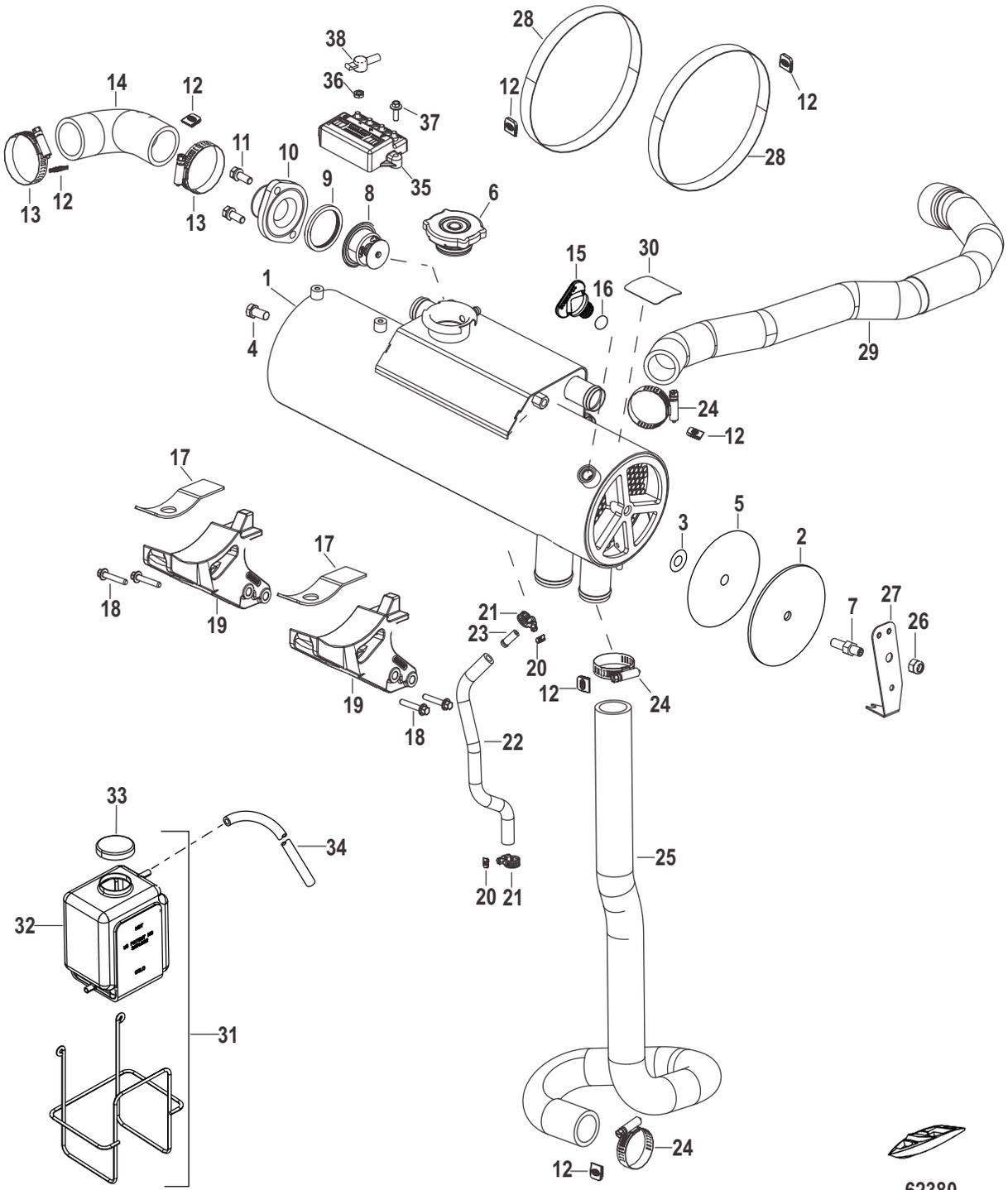
Fresh Water Cooling Sea Pump Hoses



Fresh Water Cooling Sea Pump Hoses

Ref #	Part Class	Part Number	Description	Comments	Qty	Note
1	0032	8M0062666	HOSE (96.00 Inches Bulk) (Cut to Length)		1	
1	0032	8M0062653	HOSE (4 Inches)	(Additional Inlet Applications)	A/R	
2	0054	815504222	CLAMP Worm Gear (1.98 Diameter)		4	
3	0022	864727	FITTING Y, (3) 1-1/4 In. OD Hose Barbs	(Additional Inlet Applications)	A/R	
4	0022	865362	QUICK CONNECT		1	
5	0022	865324	QUICK CONNECT	Bravo	1	
6	0054	8M6001459	CLAMP (45.5)		2	
7	0032	8M0109511	HOSE		1	
8	0010	73015	SCREW (.250-20 x 1.75)		2	
9	0000	8M0111791	HOUSING Inlet		1	
10	0027	8M0109475	GASKET		1	
11	0032	8M2023904	HOSE		1	
12	0054	815504220	CLAMP Worm Gear		1	
13	0019	8M0074364	CAP		A/R	
14	0054	815504228	CLAMP Worm Gear	Seacore	2	
15	0054	815504212	CLAMP Worm Gear	Seacore	2	
16	0032	8M0103147	HOSE Flush	Seacore	1	
17	0022	861406	SOCKET	Seacore	1	
18	0019	858240	CAP	Seacore	1	
19	0022	8M4501756	FITTING	Seacore	1	

Fresh Water Cooling Heat Exchanger

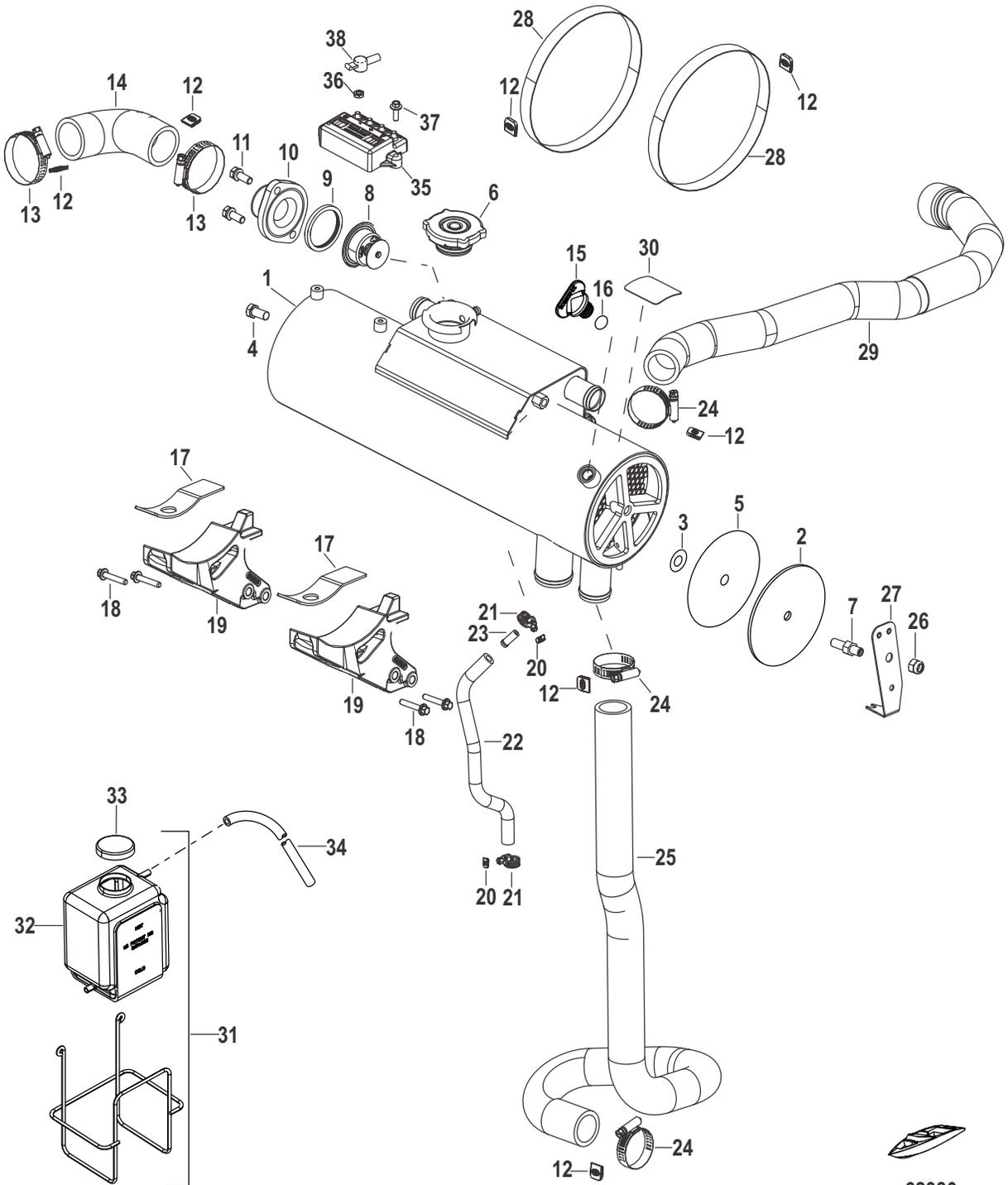


Fresh Water Cooling Heat Exchanger

Ref #	Part Class	Part Number	Description	Comments	Qty	Note
1	0000	8M0114809	HEAT EXCHANGER ASSEMBLY		1	
2	0000	864708	COVER		2	
3	0025	8M0039163	O-RING (3/8 x 1/8)		4	
4	0010	94247	SCREW (.375-16 x .750) Stainless Steel		1	
5	0025	8M0084884	SEAL		2	
6	0036	8148791	CAP Pressure		1	
7	0016	8M0029252	STUD		1	
8	0000	864493	THERMOSTAT 77°C (170°F)		1	
9	0025	8071341	SEAL		1	
10	0000	807075A1	COVER		1	
11	0010	29198	SCREW AND LOCKWASHER (.312-18 x .875)		2	
12	0019	8M0074364	CAP		AR	
13	0054	815504228	CLAMP Worm Gear		2	
14	0032	8M0088806	HOSE Thermostat to Exchanger		1	
15	0022	806608A02	PLUG ASSEMBLY (.500-13) Blue		1	[1]
16	0025	26802	O-RING (.424 x .103)		1	
17	0000	8M0109343	PAD Heat Exchanger		2	
18	0010	8M0107994	SCREW M8 Hex Flange		4	
19	0000	8M0114796	BRACKET Heat Exchanger		2	
20	0019	8M0074363	CAP		2	
21	0054	815504105	CLAMP Worm Gear (11-18 mm)		2	
22	0032	8M0086594	HOSE Fuel Module to Heat Exchanger		1	
23	0022	8M0085864	FITTING		1	
24	0054	815504222	CLAMP Worm Gear (1.98 Diameter)		3	
25	0032	8M0085910	HOSE Distribution Housing to Heat Exchanger		1	
26	0011	82670912	NUT (.375-16) Stainless Steel		1	
27	0000	8M0081037	BRACKET Air Actuator		1	
28	0054	8M0109309	CLAMP Heat Exchanger		2	
29	0032	8M0094644	HOSE Exchanger to Poppet Valve		1	
30	0037	8M0104882	DECAL SET Drain, Maintenance, and Specifications		1	
30	0037	8M0158108	DECAL SET Drain, Maintenance and Specifications	Jet Power Only	1	
31	0000	71587A10	RECOVERY KIT Coolant		1	
32	0000	71587A11	BOTTLE Plastic		1	
33	0000	72058	CAP		1	
34	0032	1983389	HOSE		1	
35	0000	8M0100517	MERCATHODE CONTROLLER MerCathode		1	
36	0011	68219	NUT (#10-32) Stainless Steel		4	
37	0010	82104520	SCREW (M5 x 20)		2	
38	0085	86606	BOOT Insulator - Black		4	
NS	0084	8M0096310	HARNESS Mercathode 3 Wire		1	

Fresh Water Cooling Heat Exchanger

Fresh Water Cooling Heat Exchanger



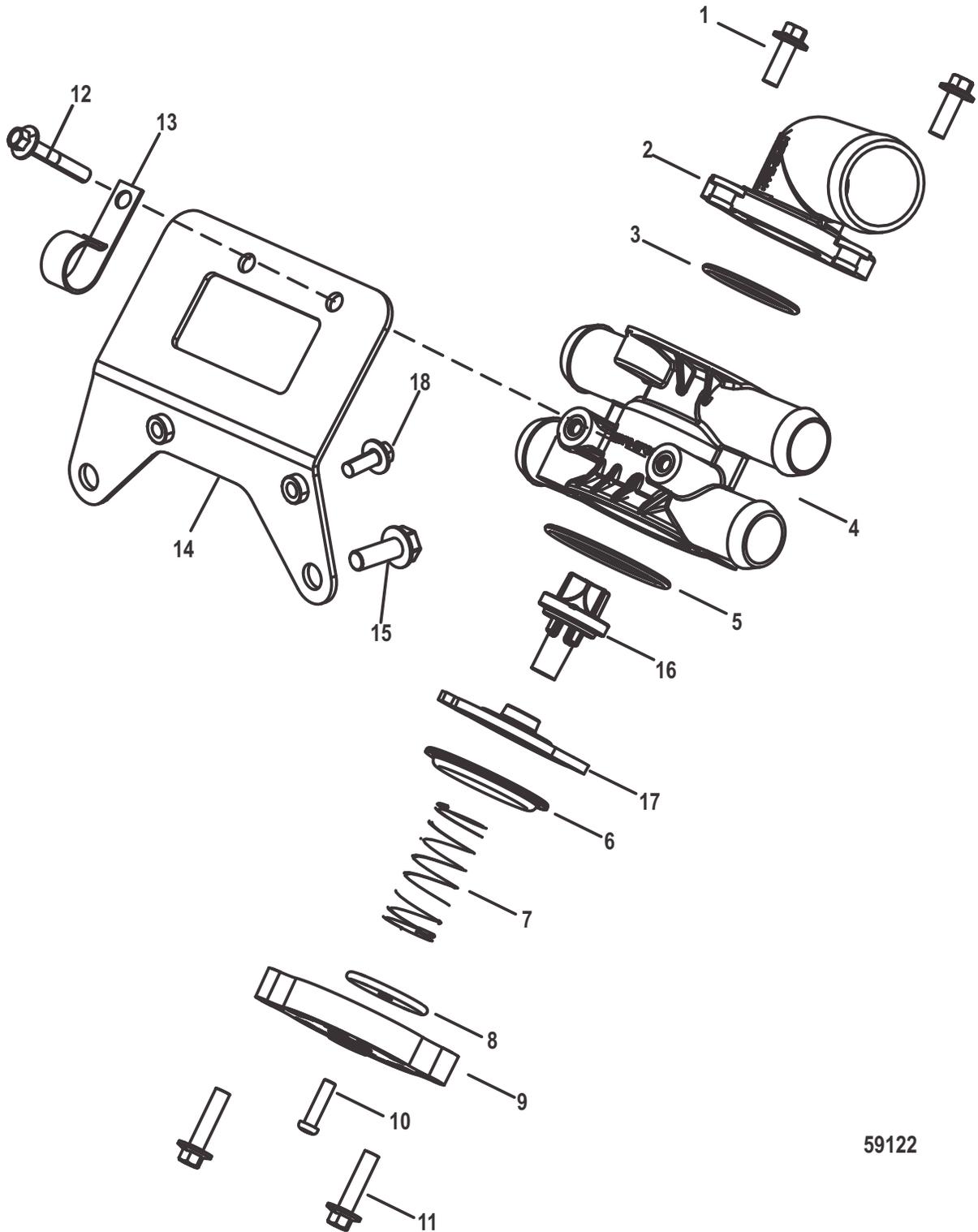
Cat.# 90-8M0124044

Fresh Water Cooling Heat Exchanger

PART NOTES:

- [1] - Alternate part numbers:
806608A02Service Part
806608Q01QS

Poppet Valve Assemblies

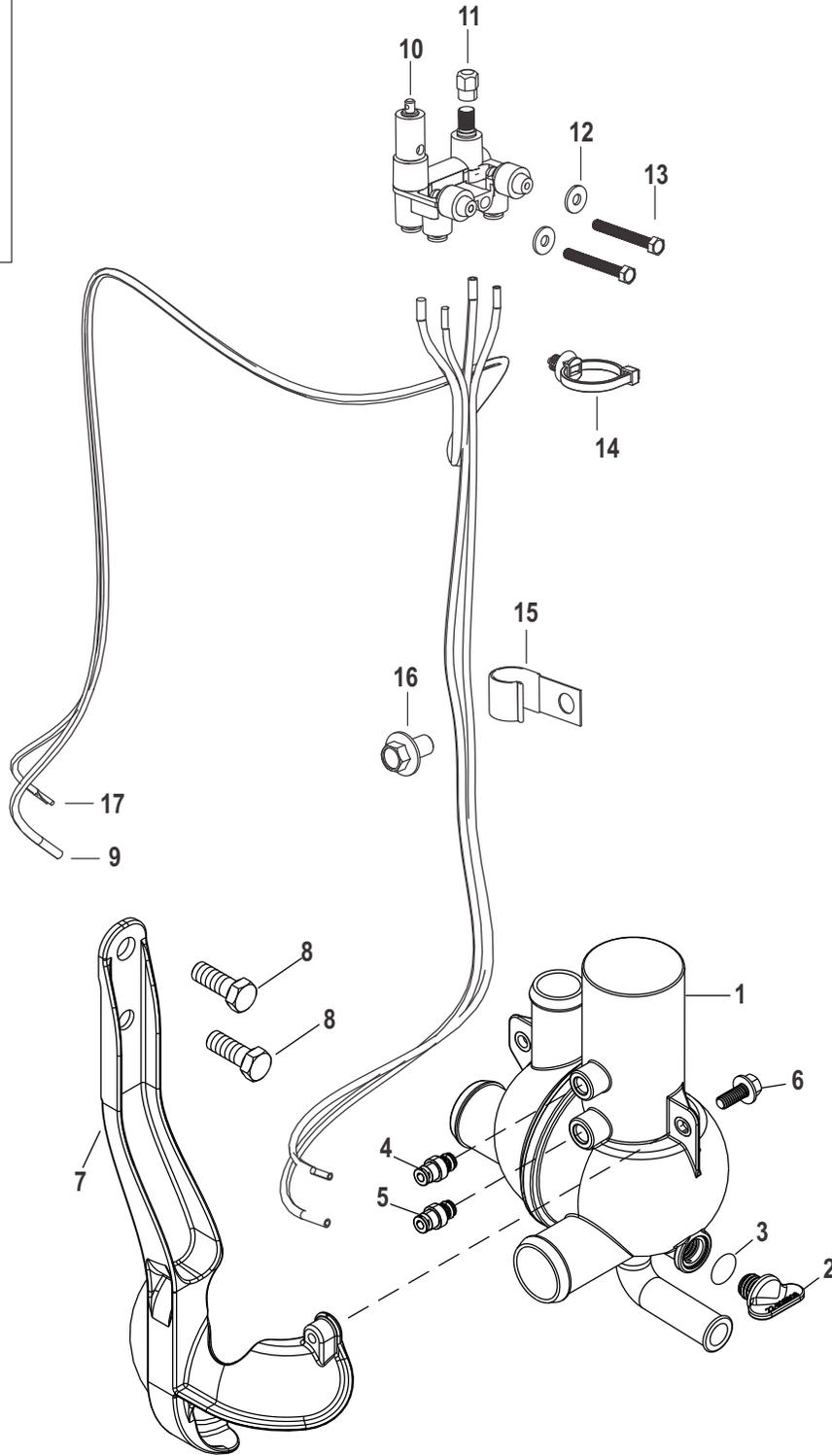
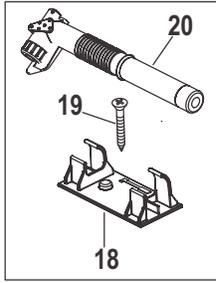


59122

Poppet Valve Assemblies

Ref #	Part Class	Part Number	Description	Comments	Qty	Note
-	0000	8M0095446	VALVE ASSEMBLY Poppet Bravo Raw Water Cooling		1	
-	0000	8M0095459	VALVE ASSEMBLY Poppet Fresh Water Cooling		1	
1	0010	4010618	SCREW (M6 x 18) Stainless Steel		2	
2	0022	8M2020465	FITTING		1	
3	0025	457101	O-RING (1.424 x .103)		1	
4	0000	8M0032643	HOUSING Bravo Raw Water Cooling		1	
4	0000	8M0089559	HOUSING Fresh Water Cooling		1	
5	0025	30529	O-RING (1.925 x .103)		1	
6	0000	648771	DIAPHRAGM		1	
7	0024	64878	SPRING (Black) Bravo Raw Water Cooling		1	
7	0024	42996	SPRING (Stainless Steel) Fresh Water Cooling		1	
8	0012	76451	WASHER		1	
9	0000	8M0036759	COVER		1	
10	0010	69570	SCREW (#10-16 x .750)		1	
11	0010	8M0115132	SCREW (M6) SEMS		2	
12	0010	4010612	SCREW (M6 x 12) Stainless Steel		2	
13	0054	65292	J CLIP		2	
14	0000	8M0115431	BRACKET		1	
15	0010	816585	SCREW (.312-18 x .875)		2	
16	0000	888913001	POPPET		1	
17	0000	8M0091668	PLATE Relief Valve		1	
18	0010	4010612	SCREW (M6 x 12) Stainless Steel		2	

Water Distribution Housing Air Actuated Drain



61904

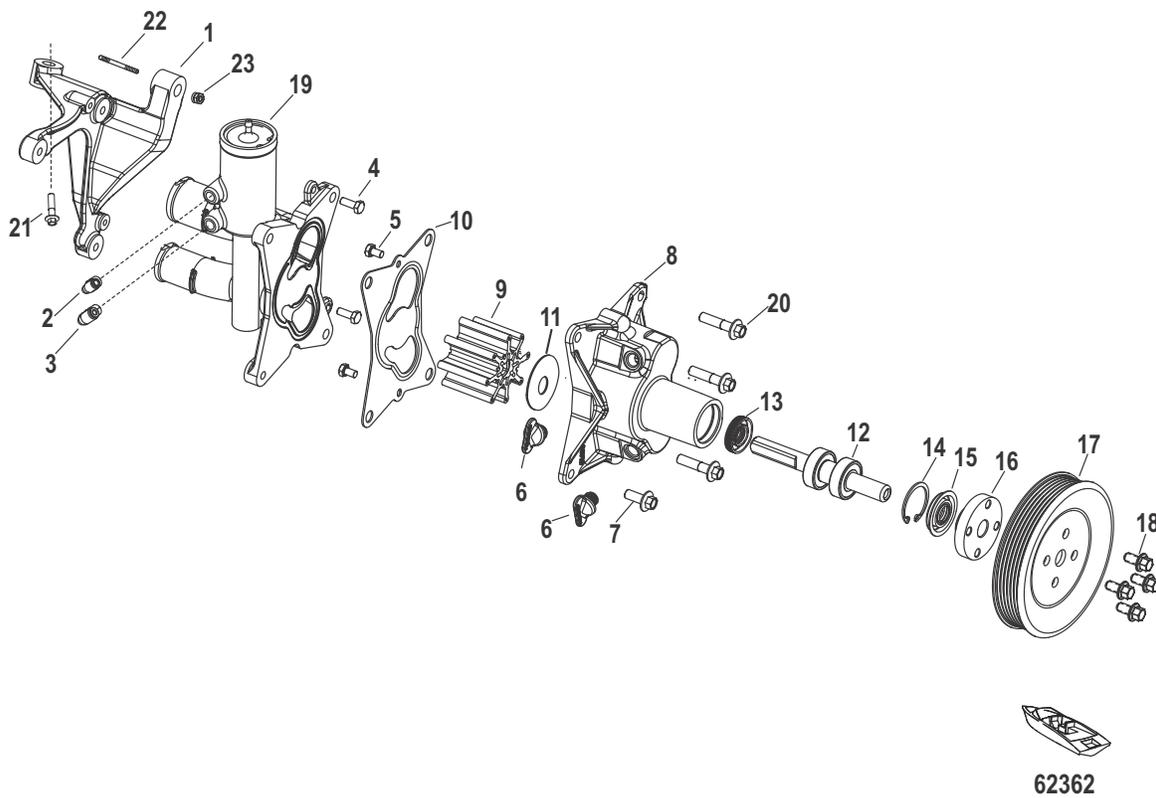
Water Distribution Housing Air Actuated Drain

Ref #	Part Class	Part Number	Description	Comments	Qty	Note
1	0000	863802T2	HOUSING Water Distribution		1	
2	0022	806608A02	PLUG ASSEMBLY (.500-13) Blue		1	[1]
3	0025	26802	O-RING (.424 x .103)		1	
4	0022	863467	FITTING Orange Air Valve		1	
5	0022	863499	FITTING Gray Air Valve		1	
6	0010	8175051	SCREW (.250-20 x .625)		3	
7	0000	8M0095444	BRACKET Water Distribution Housing		1	
8	0010	8M0083541	SCREW (M10 x 16) To Block		2	
9	0032	8M0062603	TUBE (2440 MM) Cut to Length		1	
10	0000	863053T	MANIFOLD ASSEMBLY		1	
11	0019	8M0046566	CAP		1	
12	0012	4002314	WASHER		2	
13	0010	864887	SCREW (M5)		2	
14	0054	899145	CLIP Tie Strap		1	
15	0054	78945	J CLAMP		1	
16	0010	4010816	SCREW (M10 x 16) Hex Flange - Stainless Steel		1	
17	0032	8M0077562	TUBE (2440 MM) Cut to Length		1	
18	0000	8M0046157	BRACKET Air Pump		1	
19	0010	79968	SCREW (#12-11 x .750)		2	
20	0000	863057	PUMP Air		1	

PART NOTES:

- [1] - Alternate part numbers:
806608A02Service Part
806608Q01QS

Sea Water Pump



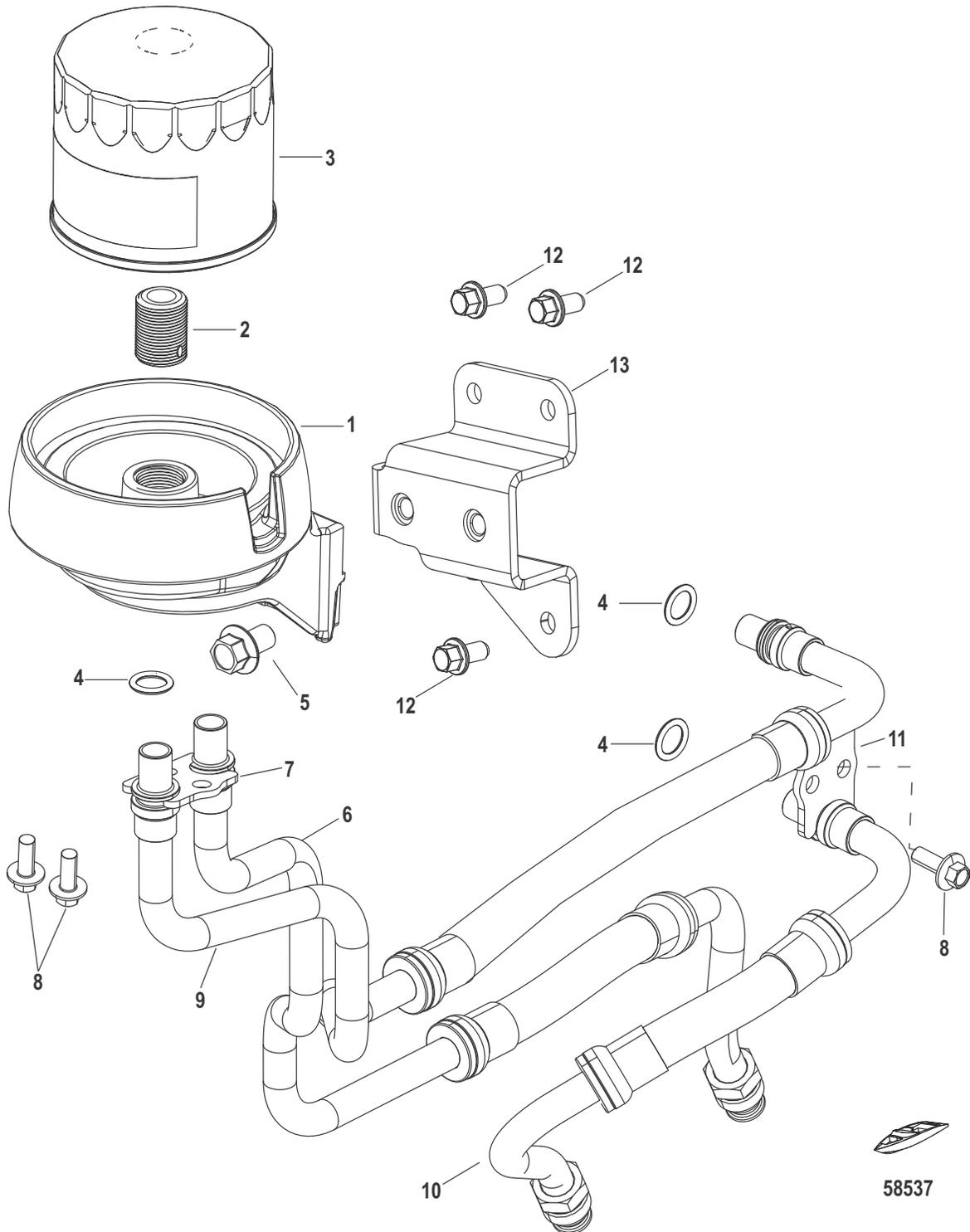
Sea Water Pump

Ref #	Part Class	Part Number	Description	Comments	Qty	Note
-	0046	8M0122666	SEA PUMP KIT (With Distribution Housing)		1	
-	0046	8M0122667	SEA PUMP ASSEMBLY Sea Water		1	
1	0000	8M0075090	BRACKET		1	
2	0022	8M0082321	FITTING (90 Degree)		1	
3	0022	8M0082322	FITTING Orange (90 Degree)		1	
4	0010	4000328	SCREW (M6 x 16)		2	
5	0010	4000325	SCREW (M6 x 8)		2	
6	0022	8M0119211	PLUG ASSEMBLY (.500-13) Blue		2	[1]
7	0010	4010720	SCREW (M8 x 20)		1	
8	0000	8M0122665	IMPELLER HOUSING ASSEMBLY		1	
9	0098	8M0121940	IMPELLER KIT Heavy Duty		1	
10	0027	8M0114788	PLATE Wear, Seal		1	
11		NSS	NOT SOLD SEPARATE Wear Plate		1	
12	0000	8M0050018	DRIVESHAFT ASSEMBLY KIT		1	
13	0026	8M2001645	SEAL		1	
14		NSS	NOT SOLD SEPARATE Snap Ring		1	
15	0026	862040	SEAL		1	
16	0000	8M0109086	HUB		1	
17	0000	8M0074941	PULLEY		1	
18	0010	88552616	SCREW (M8 x 16)		4	
19	0000	8M0122664	COVER ASSEMBLY Sea Pump		1	
20	0010	4010735	SCREW (M8 x 35)		3	
21	0010	892086035	SCREW (M10 x 35)		1	
22	0016	8M0097732	STUD (M10x1.5x55)		1	
23	0011	8M0090535	NUT (M10 Flange)		1	

PART NOTES:

- [1] - Alternate part numbers:
806608Q01QS
8M0119211 Service Part

Remote Oil



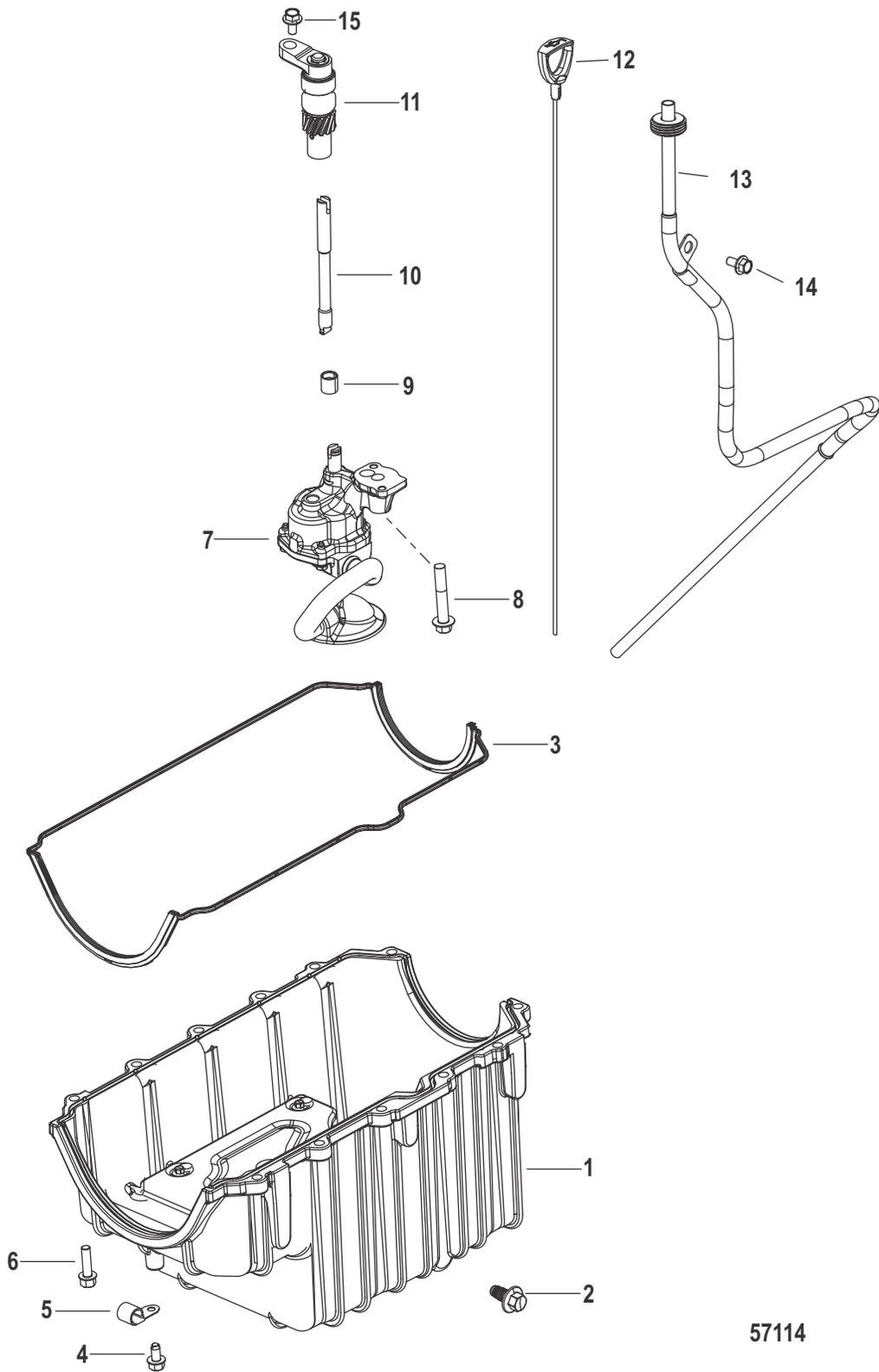
Remote Oil

Ref #	Part Class	Part Number	Description	Comments	Qty	Note
1	0000	8M0095983	HOUSING Remote Oil Filter		1	
2	0022	863485	FITTING		1	
3	0035	866340K01	FILTER Oil - Mercury Brand		1	[1]
3	0035	866340Q03	FILTER Oil - Quicksilver Brand		AR	[1]
4	0000	8M2000565	O-RING		4	[2]
5	0010	4010820	SCREW (M10 x 20) Hex Flange - Stainless Steel		2	
6	0032	8M0098966	LINE Oil Cooler to Filter	Bracket attached on one end	1	
7		NSS	NOT SOLD SEPARATE Bracket		1	
8	0010	4010612	SCREW (M6 x 12) Stainless Steel		4	
9	0032	8M0055903	LINE Oil Filter to Block		1	
10	0032	8M0098958	LINE Oil Block to Cooler	Bracket attached on one end	1	
11		NSS	NOT SOLD SEPARATE Bracket		1	
12	0010	88552616	SCREW (M8 x 16)		3	
13	0000	8M0107048	BRACKET Remote Oil		1	

PART NOTES:

- [1] - Alternate part numbers:
 866340K01MPP
 866340Q02Service Part
 866340Q03QS
- [2] - Component of Longblock Assembly [8M0114814]

Oil Pan and Pump



57114

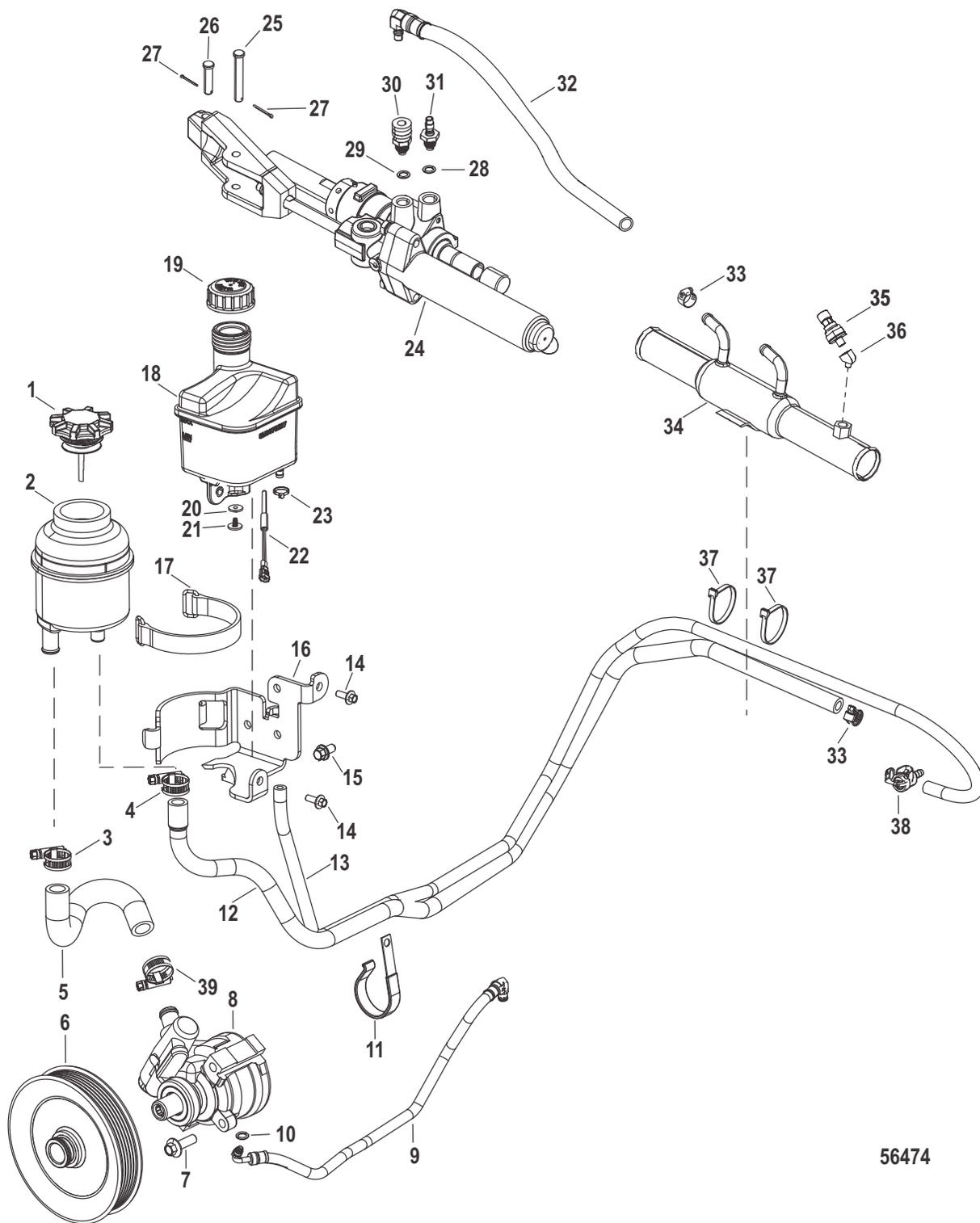
Oil Pan and Pump

Ref #	Part Class	Part Number	Description	Comments	Qty	Note
1	0000	8M0107028	PAN ASSEMBLY Oil		1	[1]
2	0010	8M0081260	SCREW M12 x 1.75 Oil Drain		1	[1]
3	0027	8M0111032	GASKET Oil Pan		1	[1]
4	0010	8M0087842	SCREW M8		1	[1]
5	0054	814634	CLAMP		1	[1]
6	0010	8M0082282	SCREW (M8 x 1.25)		14	[1]
7	0000	8M0114792	PUMP ASSEMBLY Oil		1	[1]
8	0010	8M0079605	SCREW (M10 x 1.5 x 59)		1	[1]
9	0000	8M6001893	RETAINER		1	[1]
10	0000	8M6001892	SHAFT		1	[1]
11	0000	8M0114791	DRIVER Oil Pump		1	[1]
12	0079	8M0115070	DIPSTICK		1	[1]
13	0000	8M0055846	TUBE Oil Gauge		1	[1]
14	0010	8M0106012	SCREW (M6 x 1-12)		1	
15	0010	8M0090499	SCREW (M8 x 23.5)		1	
-	0000	8M0114814	Longblock ASSEMBLY 6.2L		1	

PART NOTES:

[1] - Component of Longblock Assembly [8M0114814]

Steering System and Drive Lube Bottle



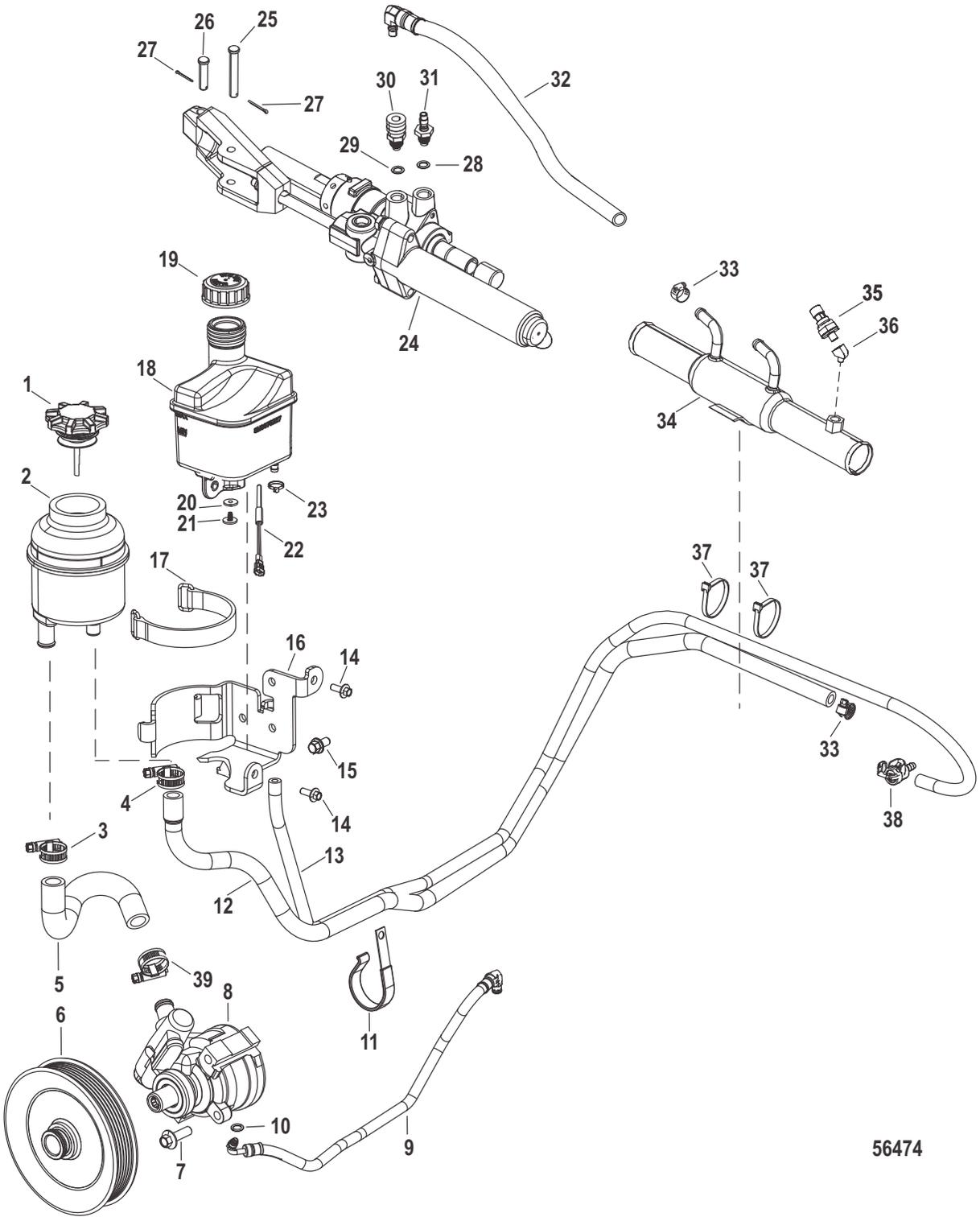
56474

Steering System and Drive Lube Bottle

Ref #	Part Class	Part Number	Description	Comments	Qty	Note
1	0019	8M0050237	CAP Oil Reservoir - Black		1	
NS	0037	8M0089907	DECAL Steering Fluid		1	
2	0000	8M0046080	RESERVOIR ASSEMBLY Oil, Power Steering		1	
3	0054	8M0083431	CLAMP		1	
NS	0019	8M0074363	CAP Clamp		1	
4	0054	F698772	CLAMP Worm Gear		1	
5	0032	8M0077292	HOSE Oil Pump to Reservoir		1	
6	0000	861578	PULLEY Use With .75 Shaft Diameter	[2A576202] & Below	1	
6	0000	8M0111943	PULLEY 4 Hole Face Use With .665 Shaft Diameter	[2A576203] & Up	1	
7	0010	4010725	SCREW (M8 x 25)		3	
8	0046	8M0095481	PUMP ASSEMBLY .75 Shaft Diameter	[2A576202] & Below	1	
8	0000	8M0110923	PUMP ASSEMBLY .665 Shaft Diameter	[2A576203] & Up	1	
9	0032	8M0107544	HOSE Pump to Cylinder		1	
9	0032	8M0107543	HOSE Pump to Cylinder	Bravo Fresh Water Cooling	1	
10	0025	89879	O-RING (.301 x .064)		1	
11	0054	8M6002411	CLIP		1	
12	0032	8M0099061	HOSE Oil Reservoir to Cooler		1	
13	0032	8M0080036	HOSE ASSEMBLY Bottle to Transom		1	
14	0010	4006731	SCREW (M6 x 16)		2	
15	0010	88552616	SCREW (M8 x 16)		3	
16	0000	8M0095757	BRACKET		1	
17	0000	8M0088265	STRAP		1	
18	0000	8M0095479	LUBE BOTTLE ASSEMBLY		1	
19	0036	8067271	CAP Drive Lube Monitor		1	
20	0012	72761	WASHER (.203 x .562 x .060) Stainless Steel		1	
21	0010	58376	SCREW (.164-18 x .375)		1	
22	0087	856156T04	SWITCH		1	
23	0000	69355	TIE STRAP (5.50 Inches)		1	
24	0000	8M0063382	CYLINDER ASSEMBLY Power Steering		1	
25	0017	15878	PIN Clevis		1	
26	0017	16419	PIN Clevis		1	
27	0018	46950	COTTER PIN		2	
28	0025	806232	O-RING (.239 x .064)		1	
29	0025	89879	O-RING (.301 x .064)		2	
30	0022	865415	FITTING		1	
31	0022	865414001	FITTING		1	
32	0032	865390015	HOSE Male Quick Connect Cylinder to Cooler		1	
33	0054	815504105	CLAMP Worm Gear (11-18 mm)		2	
34	0000	8M0095482	COOLER Power Steering	Mechanical Shift	1	

Steering System and Drive Lube Bottle

Steering System and Drive Lube Bottle

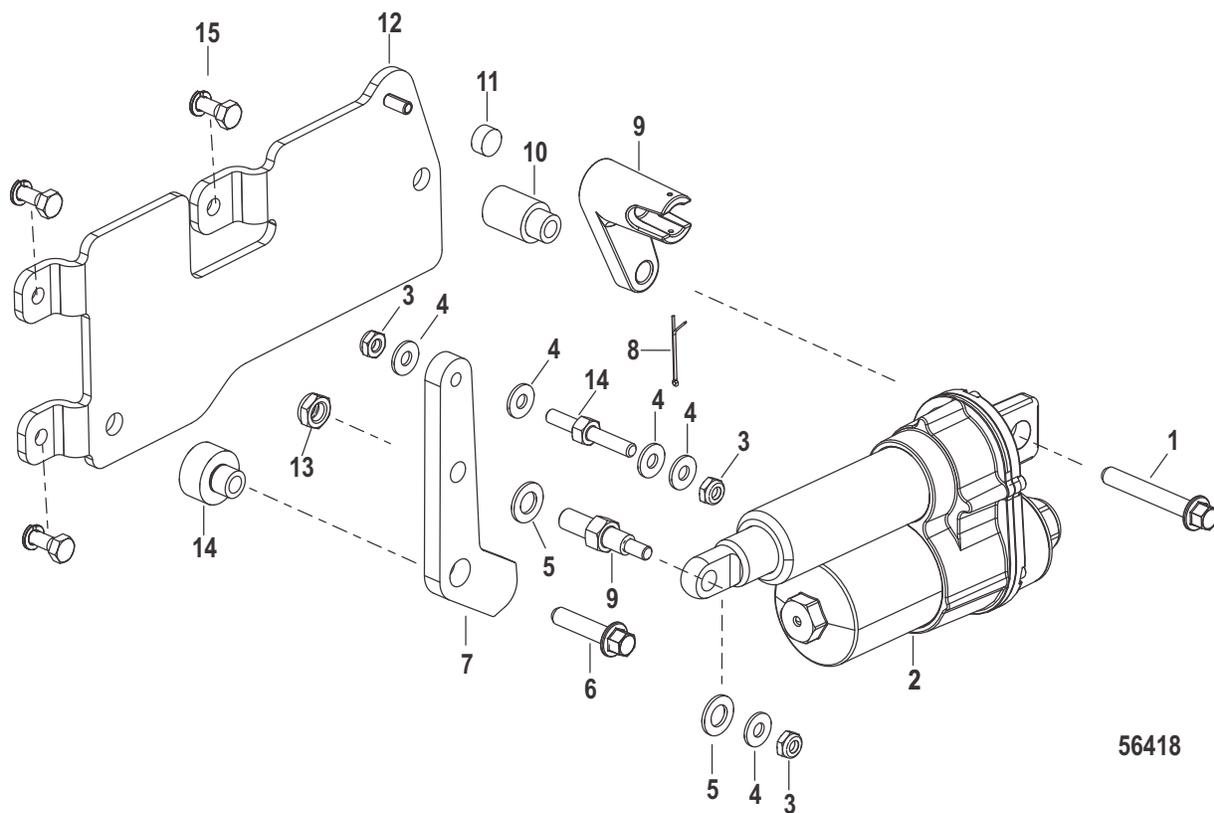


56474

Steering System and Drive Lube Bottle

Ref #	Part Class	Part Number	Description	Comments	Qty	Note
34	0000	8M0118727	COOLER Power Steering	Digital Shift	1	
35	0000	8M6000623	SENSOR Water Pressure Pressure		1	
36	0022	8M0109010	FITTING Elbow (45 Degree)	Mechanical Shift	1	
36	0022	59351	ELBOW 90 Degree	Digital Shift	1	
37	0054	816311T	TIE STRAP (8.00 Inches)		2	
38	0022	865379	FITTING Female To Transom		1	
39	0054	815504210	CLAMP Worm Gear		1	

Shift Bracket Digital Throttle and Shift

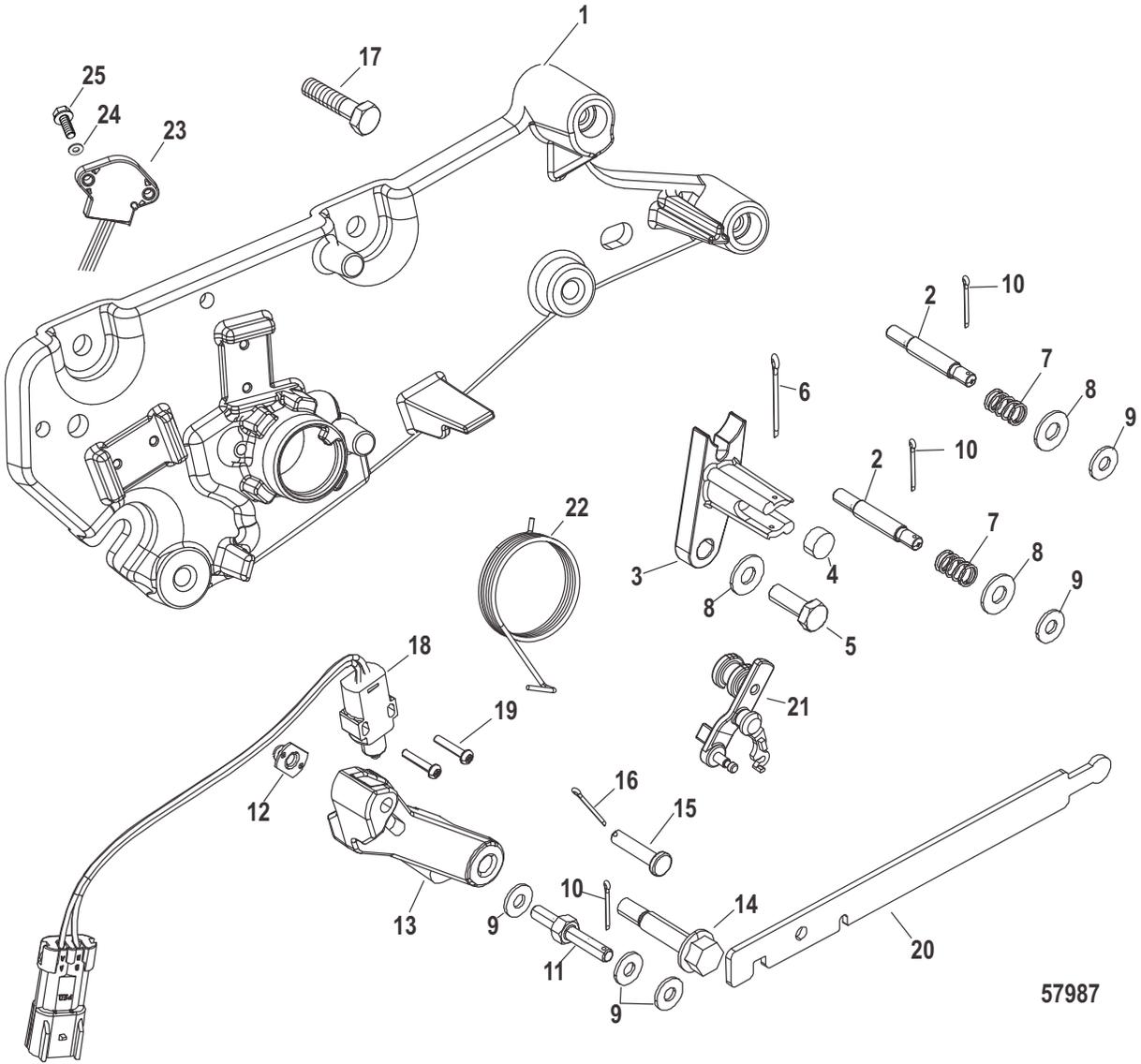


56418

Shift Bracket Digital Throttle and Shift

Ref #	Part Class	Part Number	Description	Comments	Qty	Note
-	0000	8M0127239	SHIFT BRACKET ASSEMBLY DTS		1	
1	0010	88552655	SCREW (M8 x 55)		1	
2	0000	879194T46	SHIFT ACTUATOR		1	
3	0011	826709109	NUT (.250-28) Stainless Steel		3	
4	0012	35462	WASHER (.2656 x .625 x .0625) Stainless Steel		4	
5	0012	34931	WASHER (.406 x .734 x .063) Stainless Steel		2	
6	0010	88552635	SCREW (M8 x 35 MM)		1	
7	0000	8M0079104	SHIFT ARM		1	
8	0018	36002	COTTER PIN		1	
9	0000	8M2009720	RETAINER		1	
10	0023	863133	SPACER		1	
11	0023	98828	SPACER		1	
12	0000	8M0095949	BRACKET		1	
13	0011	826709113	NUT (.375-24) Stainless Steel		1	
14	0023	863132	SPACER		1	
15	0010	657461	SCREW AND LOCKWASHER (.250-20 x .625)		3	

Shift Bracket Bravo

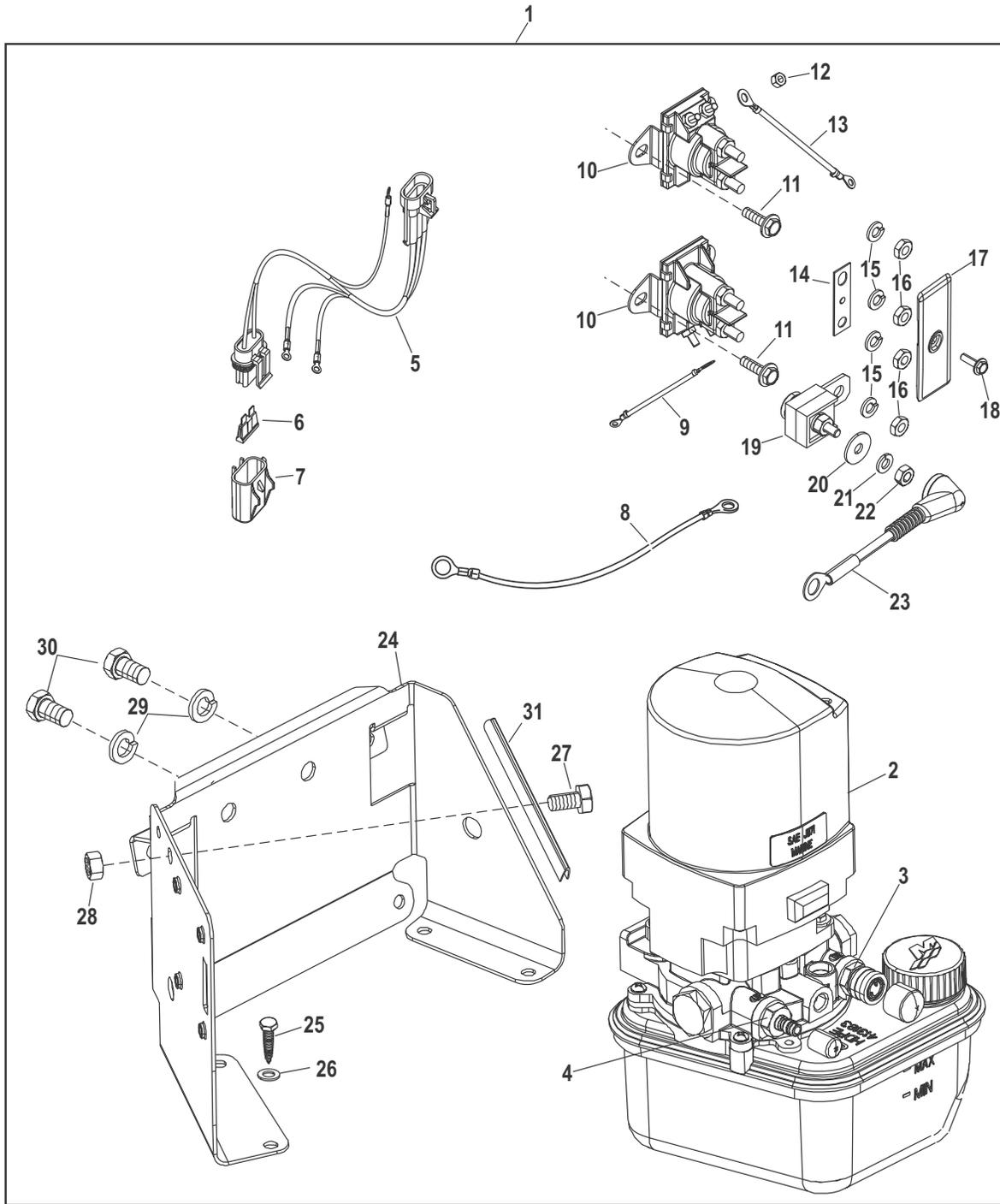


57987

Shift Bracket Bravo

Ref #	Part Class	Part Number	Description	Comments	Qty	Note
1	0000	8M0125300	SHIFT BRACKET ASSEMBLY		1	
1	0000	8M0097162	BRACKET KIT Shift		1	
2	0016	865154A02	STUD KIT (.250-20/.250-28 x 2.120) With Cotter Pin		2	
3	0000	865434A02	RETAINER KIT Shift Cable, With Cotter Pin		1	
4	0023	98828	SPACER		1	
5	0010	53167T	SCREW .312-18X .88		1	
6	0018	328571	COTTER PIN		1	
7	0024	98880	SPRING		2	
8	0012	56720	WASHER (.330 x .750 x .060) Stainless Steel		2	
9	0012	35462	WASHER (.2656 x .625 x .0625) Stainless Steel		5	
10	0018	210711	COTTER PIN		3	
11	0016	865393A02	STUD KIT (.250-28 x 1.90) With Cotter Pin		1	
12	0011	63341	TEE NUT		1	
13	0000	8M0095950	LEVER ASSEMBLY Shift		1	
14	0010	865148	SHOULDER SCREW (.312-18 x 1.843) Stainless Steel		1	
15	0017	68402	PIN (.250 x 1.13) Clevis		1	
16	0018	210711	COTTER PIN		1	
17	0010	657461	SCREW AND LOCKWASHER (.250-20 x .625)		3	
17	0010	69035	SCREW AND LOCKWASHER (.250-20 x .625) Stainless Steel	(SEACORE)	3	
18	0087	8M0095577	SWITCH ASSEMBLY Neutral		1	
19	0010	865147T01	SCREW (#6-32 x .750) Stainless Steel		2	
20	0091	12427T	TOOL Shift Adjust		1	
21	0000	8M0101621	THROTTLE ARM ASSEMBLY		1	
22	0024	8M0072630	SPRING		1	
23	0084	8M0095576	HARNESS ASSEMBLY Demand Sensor		1	
24	0012	89302	WASHER (.203 x .406 x .040)		2	
25	0010	852368	SCREW (#10-24 x .750)		2	

Trim Pump Assembly

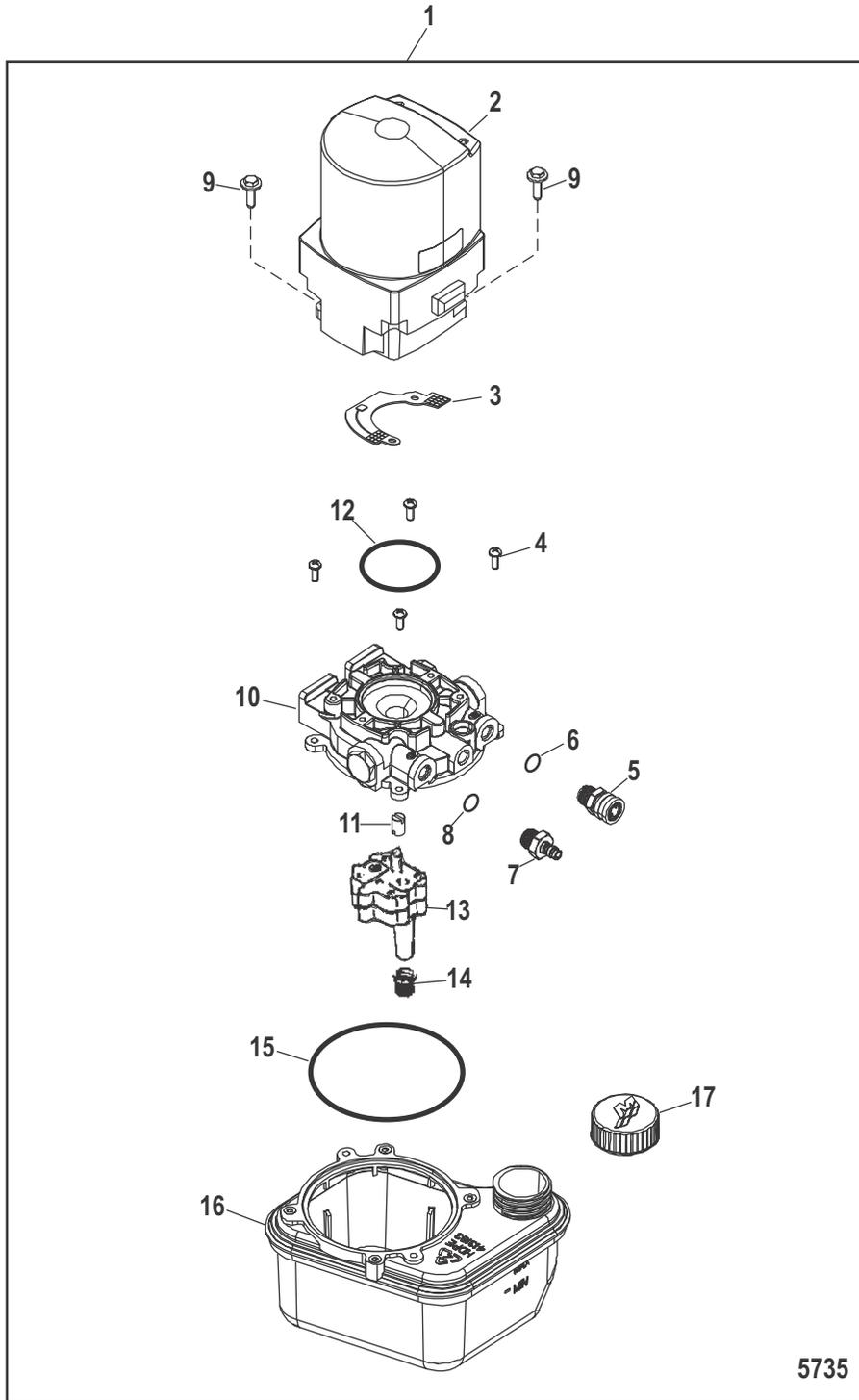


20383

Trim Pump Assembly

Ref #	Part Class	Part Number	Description	Comments	Qty	Note
1	0000	865380A25	PUMP ASSEMBLY Trim - Complete		1	
2	0000	865380A13	PUMP/MOTOR ASSEMBLY Trim - 12 Volt	- NOTE: See Trim Pump/Motor Assembly Section For Parts Breakdown	1	
3	0022	865413002	FITTING Stainless Steel		1	
4	0022	865412001	FITTING Stainless Steel		1	
5	0084	79147A09	HARNESS ASSEMBLY		1	
6	0088	812619	FUSE Yellow - 20 Ampere		1	
7	0000	828054	COVER Fuse		1	
8	0084	79138A9	CABLE ASSEMBLY (6.00 Feet) Black-Negative		1	
9	0084	86322A15	CABLE ASSEMBLY (5.50 Inches) Black		1	
10	0089	96158T	SOLENOID		2	
11	0010	865655	SCREW (.250-20 x .500)		4	
12	0011	26419	NUT (#8-32) Brass		4	
13	0084	86322A24	CABLE ASSEMBLY (4.00 Inches)		1	
14	0000	94275	LINK Connector		1	
15	0013	26992	LOCKWASHER (.250) Stainless Steel		4	
16	0011	94330	NUT (.250-20) Brass		4	
17	0085	861680	INSULATOR		1	
18	0010	48409	SCREW (#10-16 x .625) Stainless Steel		1	
19	0088	79023T10	FUSE ASSEMBLY 110 Ampere		1	
20	0012	25908	WASHER (.265 x .812 x .0625)		1	
21	0013	26992	LOCKWASHER (.250) Stainless Steel		1	
22	0011	21825	NUT (.250-28)		1	
23	0084	79139A12	CABLE ASSEMBLY Red-Positive		1	
24	0000	862548A1	BRACKET KIT Floor Or Transom Mounted		1	
25	0010	59784	SCREW (.250-10 x 1.00)		4	
26	0012	29245	WASHER (.281 x .500 x .060) Stainless Steel		4	
27	0010	90285	SCREW (.312-18 x .625)		1	
28	0011	68292	NUT (.312-18)		1	
29	0013	35048	LOCKWASHER (.375)		2	
30	0010	98260	SCREW (.375-16 x .620)		2	
31	0000	58491	CHANNEL Rubber (4.00 Inches)		2	

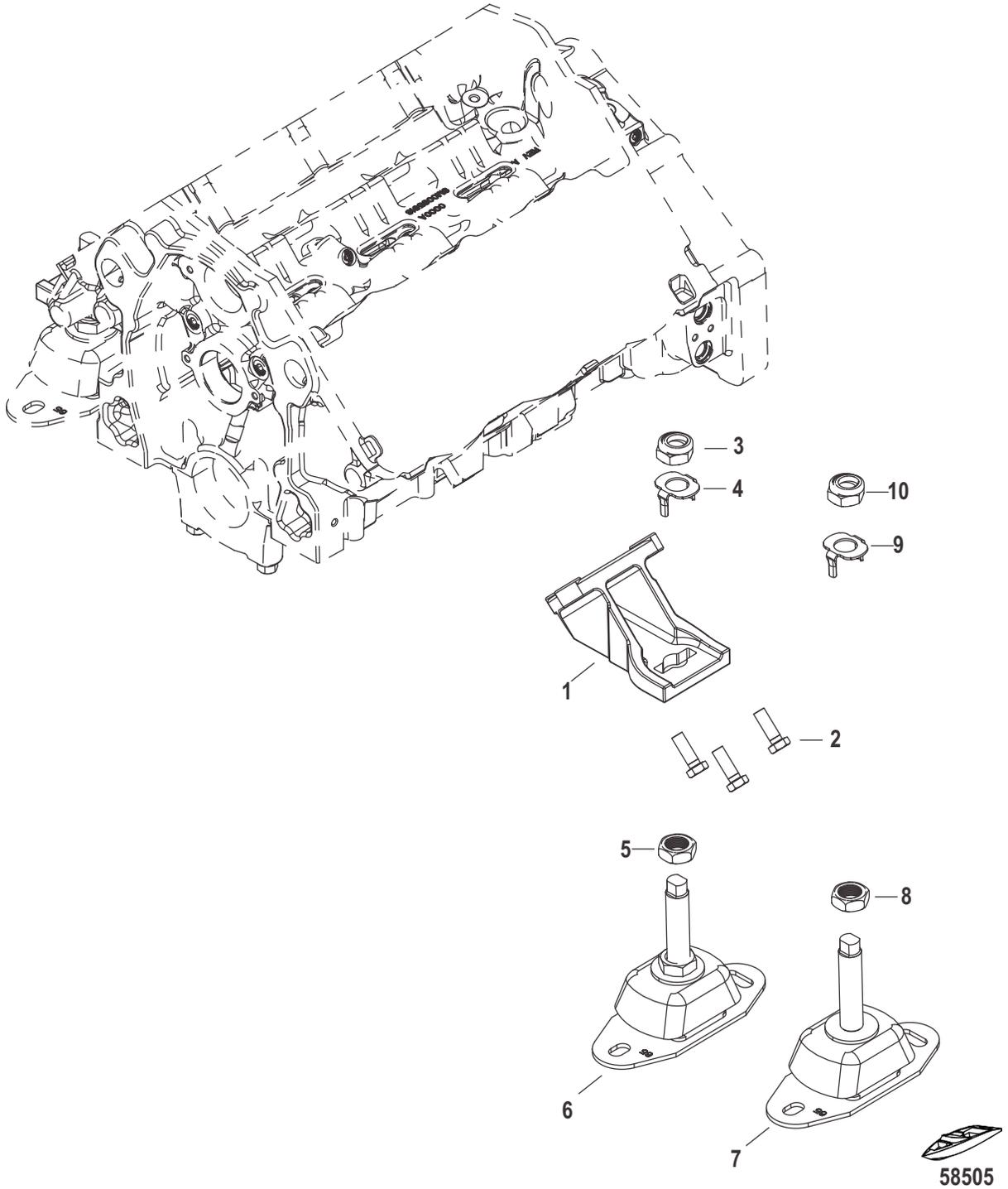
Trim Pump and Motor Components



Trim Pump and Motor Components

Ref #	Part Class	Part Number	Description	Comments	Qty	Note
1	0000	865380A13	PUMP/MOTOR ASSEMBLY Trim - 12 Volt		1	
2	0000	891736T	MOTOR ASSEMBLY Complete		1	
3	0000	892608	BOARD ASSEMBLY Circuit - Radio Frequency Interference Filter		1	
4	0010	883167	SCREW (#8-32)		4	
5	0022	865413002	FITTING Stainless Steel Female Quick Connect		1	
6	0025	891868	O-RING		1	
7	0022	865412001	FITTING Stainless Steel Male Quick Connect		1	
8	0025	891868	O-RING		1	
9	0010	823444	SCREW		2	
10	0000	808728T	ADAPTER ASSEMBLY		1	
11	0000	803852	COUPLING		1	
12	0025	89498	O-RING Motor End		1	
13	0000	18529	PUMP ASSEMBLY With Screws		1	
14	0035	89496	FILTER		2	
15	0025	17645	O-RING Reservoir End		1	
16	0000	883166A2	RESERVOIR KIT	With Filters-Reference 14 And O Ring-Reference 15	1	
17	0036	865448A01	CAP Oil Reservoir		OPT	
NS	0000	812498A1	VALVE KIT Relief	Up Pressure	1	
NS	0000	812499A1	VALVE KIT Relief	Down Pressure	1	
NS	0000	95353A1	VALVE KIT Thermal Relief	Thermal	1	
NS	0000	18545A1	REPAIR KIT		1	
NS	0000	891737	BRUSH KIT		1	

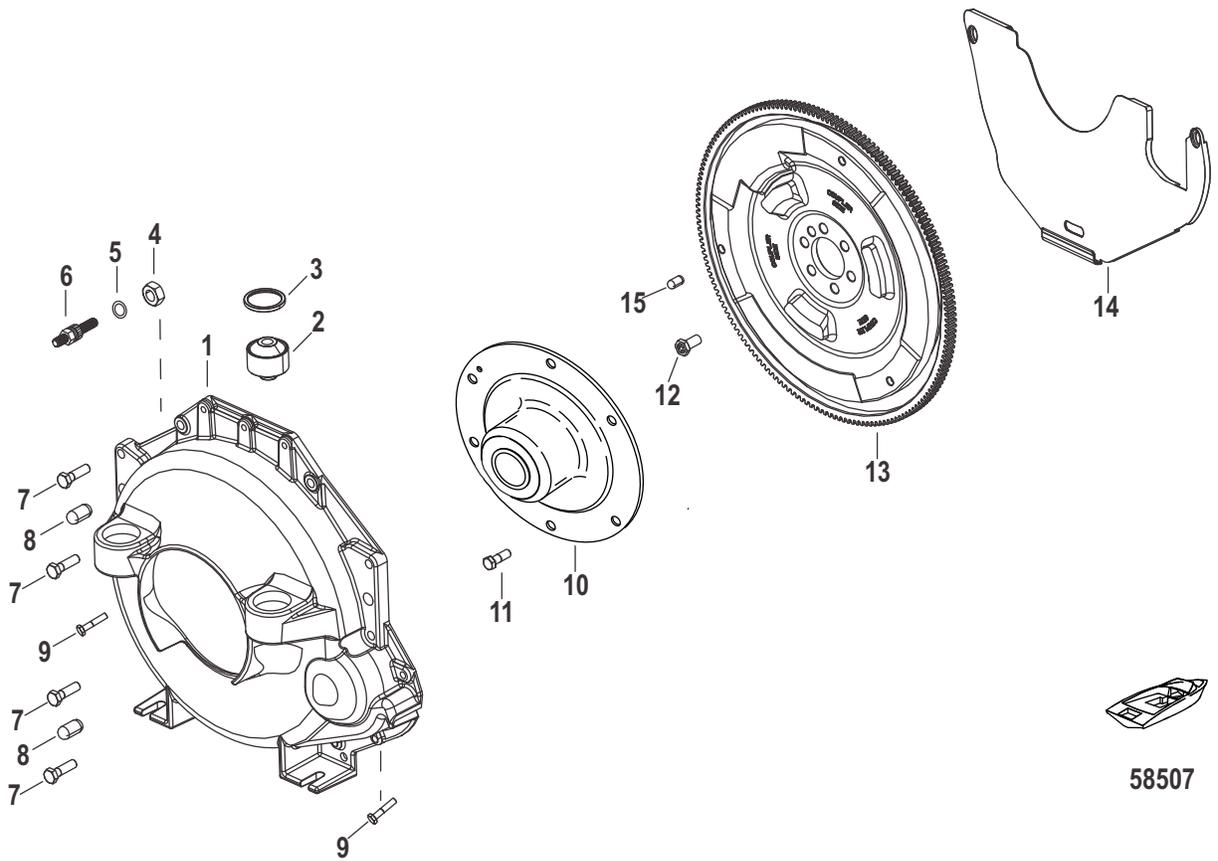
Engine Mounts



Engine Mounts

Ref #	Part Class	Part Number	Description	Comments	Qty	Note
1	0000	8M0095442	MOUNT Engine		2	
2	0010	40001195	SCREW (M10 x 30)		6	
3	0011	859126	NUT (.750-16)		2	
4	0012	8M0093699	WASHER Special		2	
5	0011	8M0087853	NUT (.750-16)		2	
6	0000	8M0104773	MOUNT ASSEMBLY		2	
7	0000	8M0104774	MOUNT ASSEMBLY	Seacore	2	
8	0011	18304	NUT	Seacore	2	
9	0012	8M0093699	WASHER Special	Seacore	2	
10	0011	8M0127767	NUT Nyloc	Seacore	2	

Flywheel and Coupler



Flywheel and Coupler

Ref #	Part Class	Part Number	Description	Comments	Qty	Note
1	0000	8M0104915	HOUSING ASSEMBLY Flywheel		1	
2	0000	8M0097266	RUBBER MOUNT		2	
3	0000	8M0087147	SPACER		2	
4	0011	40125100	NUT (M10)		3	
5	0013	400248	LOCKWASHER (M10)		2	
6	0016	861577	STUD Double Ended Metric (M10)		2	
7	0010	40001197	SCREW (M10 x 35)		4	
8	0017	8M0092110	PIN Dowel		2	[1]
9	0010	76596	SCREW (.250-20 x 1.250)		2	
10	0000	8M0098795	COUPLER ASSEMBLY		1	
NS	0022	49099	FITTING		2	
11	0010	14883	SCREW (.375-16 x 1.12)		6	
12	0010	8M0076509	SCREW (.4375 x 20)		6	
13	0200	8M0123130	FLYWHEEL ASSEMBLY		1	
14	0000	807260A2	COVER KIT Flywheel		1	
15		NSS	NOT SOLD SEPARATE Pin		1	

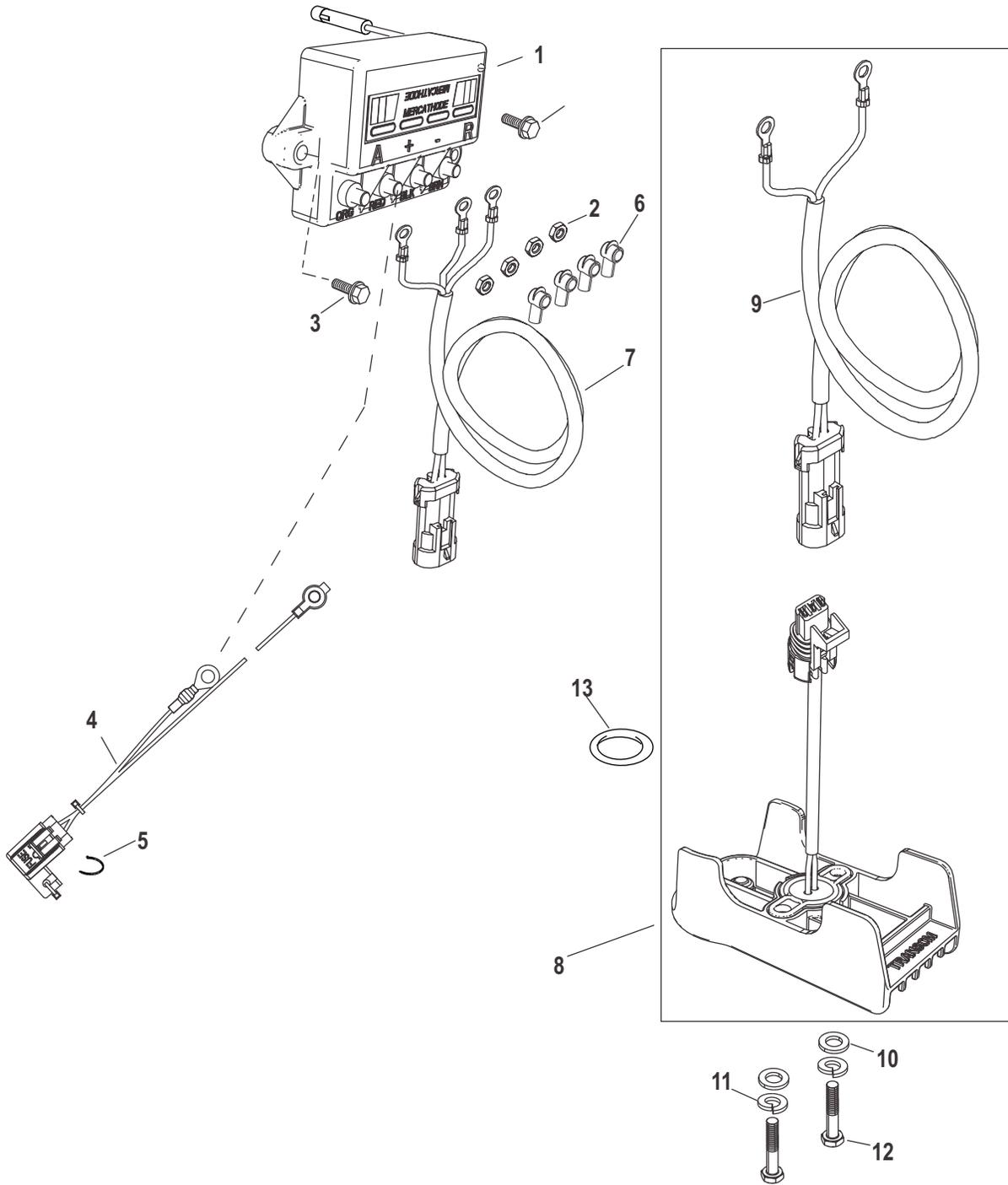
PART NOTES:

[1] - Component of Longblock Assembly [8M0114814]

Harnesses

Ref #	Part Class	Part Number	Description	Comments	Qty	Note
-	0084	8M0096310	HARNESS Mercathode Engine Harness to Mercathode		1	
-	0084	8M0107043	HARNESS Alternator Power		1	
-	0084	8M0095980	HARNESS Ground Alternator		1	
-	0084	8M0095579	HARNESS ASSEMBLY Transom	MCM	1	
-	0084	8M0104921	HARNESS ASSEMBLY Transom	Towports Mechanical Shift	1	
-	0084	8M0104922	HARNESS ASSEMBLY Transom	MIE/Towports Digital Shift	1	
-	0084	8M0095981	HARNESS Excitation Alternator		1	
-	0084	8M0114819	HARNESS ASSEMBLY Engine Digital Shift		1	
-	0084	8M0114818	HARNESS ASSEMBLY Engine Mechanical Shift		1	
-	0084	8M0107044	HARNESS Starter to Hot Stud		1	
-	0084	8M0050593	HARNESS Adaptor Exhaust Temperature	V-Drive	2	
-	0084	8M0113732	HARNESS ASSEMBLY DTS, Clean Power, 14 Feet		1	
-	0000	830796A03	CONNECTOR ASSEMBLY Weather Cap - 2 Pin Male	Neutral Switch	AR	

Mercathode Kit



62745

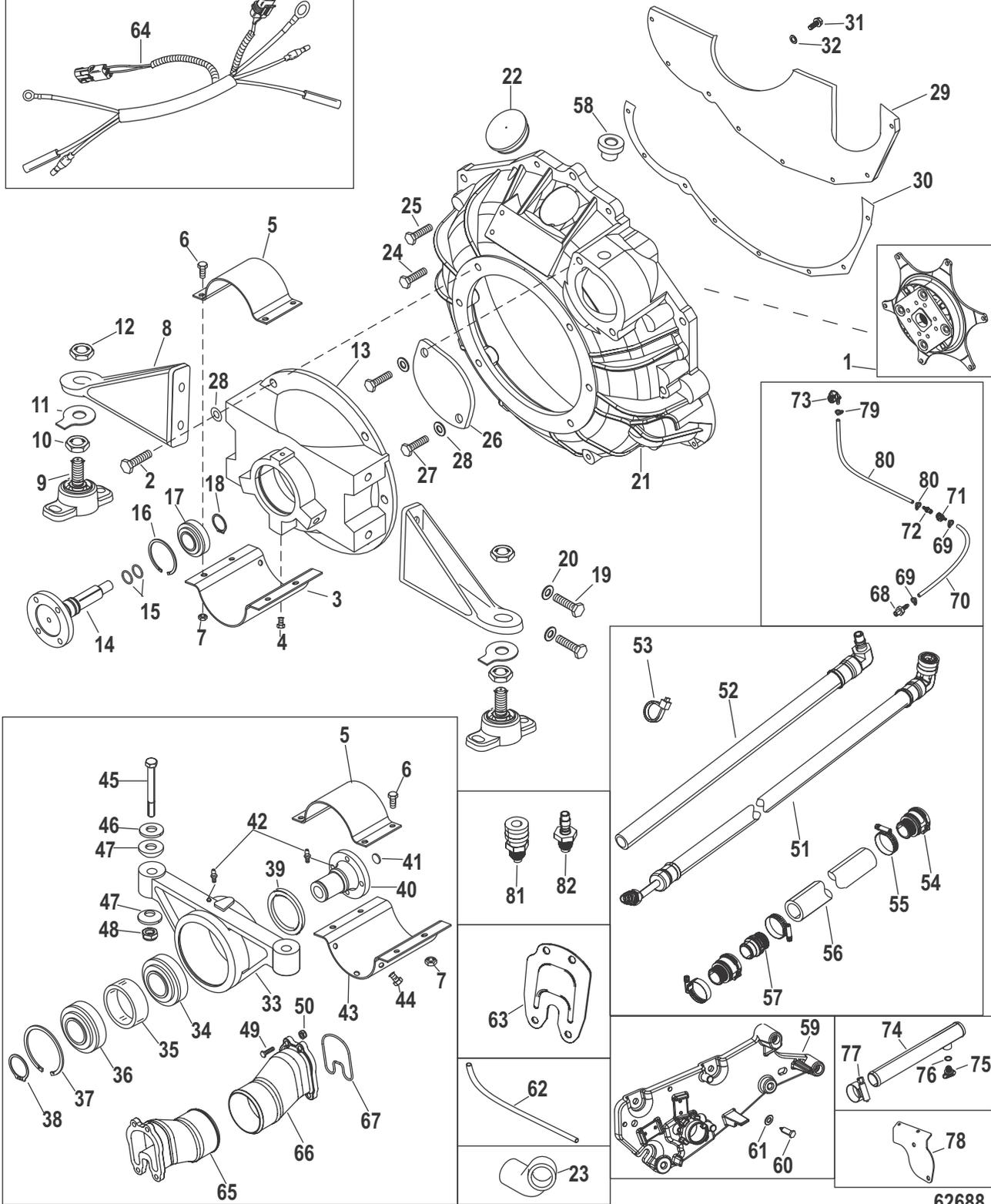
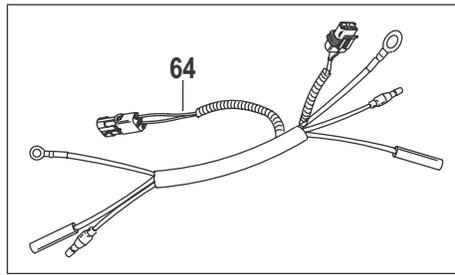
Mercathode Kit

Ref #	Part Class	Part Number	Description	Comments	Qty	Note
1	0098	8M0122010	MERCATHODE KIT		1	
1	0000	8M0100517	MERCATHODE CONTROLLER MerCathode Controller with Hardware Only		1	
2	0011	68219	NUT (#10-32) Stainless Steel		4	
3	0010	82104520	SCREW (M5 x 20)		2	
4	0084	8M0060271	CABLE ASSEMBLY		1	
5	0000	56762	TIE STRAP (4.00 Inches)		2	
6	0085	86606	BOOT Insulator - Black		4	
7	0084	8M0096310	HARNESS Mercathode		1	
8	0000	8M0085692	MERCATHODE SYSTEM		1	
9	0084	865181T01	HARNESS ASSEMBLY Mercathode		1	
10	0012	29245	WASHER (.281 x .500 x .060) Stainless Steel		2	
11	0013	26992	LOCKWASHER (.250) Stainless Steel		2	
12	0010	69067	SCREW (.250-20 x 1.375)		2	
13	0025	88388	O-RING		1	

Accessories

Ref #	Part Class	Part Number	Description	Comments	Qty	Note
-	0022	8M0119308	FITTING KIT Hot Water		AR	
-	0098	8M0123083	FLUSH KIT		AR	
-	0000	8M0101650	SMARTTOW COMMAND MODULE KIT		AR	
-	0084	8M0101639	HARNESS Engine to Helm Mechanical Smart Tow Helm Harness		AR	
-	0084	8M0101640	EXTENSION HARNESS 10 ft Mechanical Smart Tow Helm Harness		AR	
-	0084	8M0101641	EXTENSION HARNESS 15 ft Mechanical Smart Tow Helm Harness		AR	
-	0084	8M0101642	EXTENSION HARNESS 20 ft Mechanical Smart Tow Helm Harness		AR	
-	0084	8M0101643	EXTENSION HARNESS 25 ft Mechanical Smart Tow Helm Harness		AR	
-	0084	8M0101644	EXTENSION HARNESS 30 ft Mechanical Smart Tow Helm Harness		AR	
-	0000	8M0105518	AUTHENTIC DEVICE SmartCraft		AR	
-	0098	8M0124634	JACKSHAFT KIT		AR	
-	0098	8M0123588	CLOSED COOLING KIT		AR	
-	0098	8M0123590	HOSE KIT Supplemental		AR	

Jackshaft Components

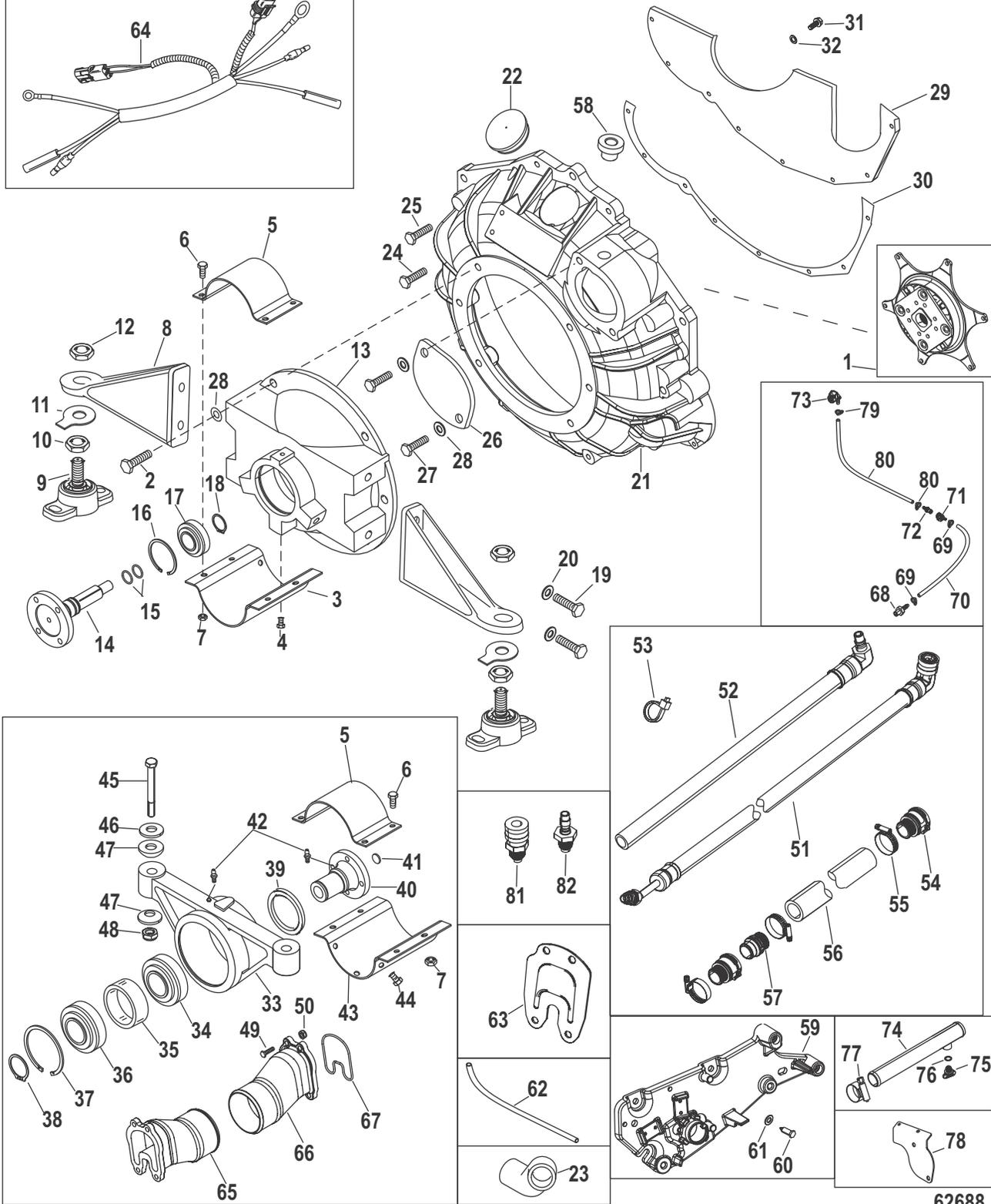
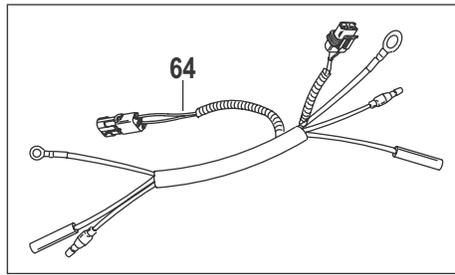


62688

Jackshaft Components

Ref #	Part Class	Part Number	Description	Comments	Qty	Note
-	0098	8M0124634	JACKSHAFT KIT		1	
1	0000	862975A2	DRIVEPLATE ASSEMBLY		1	
2	0010	865982005	SCREW (.375-16 x 1.00)		6	
3	0000	93918A1	SHIELD Lower		1	
4	0010	96995	SCREW (.375-16 x .880)		3	
5	0000	93919A1	SHIELD Upper		2	
6	0010	96995	SCREW (.375-16 x .880)		8	
7	0011	82670912	NUT (.375-16) Stainless Steel		8	
8	0000	93923A1	MOUNT ASSEMBLY Flywheel Housing		2	
9	0000	8M0104773	MOUNT ASSEMBLY		2	
10	0011	8M0087853	NUT (.750-16) Jam		2	
11	0014	12657	TAB WASHER		2	
12	0011	859126	NUT (.750-16)		2	
13	0000	8M0126528	TAILSTOCK ASSEMBLY (Includes Shaft, Housing, Retainers, and O-Rings)		1	
NS	0000	93911A4	HOUSING ASSEMBLY Shaft Extension Support		1	
14	0000	93906A2	SHAFT Output		1	
15	0025	29845	O-RING (.924 x .103)		2	
16	0053	94104	RING Retaining		1	
17	0030	879194A03	GIMBAL BEARING KIT		1	
18	0053	841897T	RING Retaining		1	
19	0010	47651	SCREW (.437-14 x 1.50)		4	
20	0013	32993	LOCKWASHER (.437)		4	
21	0000	814309A1	HOUSING ASSEMBLY		1	
22	0019	12304	PLUG Timing Window		1	
23	0032	8M0118474	HOSE Steering Cooler to Y Fitting		1	
24	0010	40001213	SCREW (M10x70x10.9)		2	
25	0010	806681	SCREW (.375-16 x .875)		2	
26	0000	939201	PLATE Cover		1	
27	0010	92913	SCREW (.437-14 x .750)		2	
28	0013	32993	LOCKWASHER (.437)		8	
29	0000	818718A3	COVER KIT Flywheel Inspection		1	
30	0027	86015	GASKET Flywheel Inspection Cover		1	
31	0010	98253	SCREW (.250-20 x .500)		4	
32	0013	26992	LOCKWASHER (.250) Stainless Steel		4	
33	0000	817416A4	HOUSING ASSEMBLY Bearing		1	
34	0030	93944A2	BEARING SET Ball	Includes Item Number 36	1	
35	0023	817417T	SPACER		1	
36		NSS	NOT SOLD SEPARATE	Bearing	1	
37	0053	93914	RING Retaining		1	
38	0053	93915	RING Retaining		1	
39	0026	93924	SEAL Oil		1	

Jackshaft Components



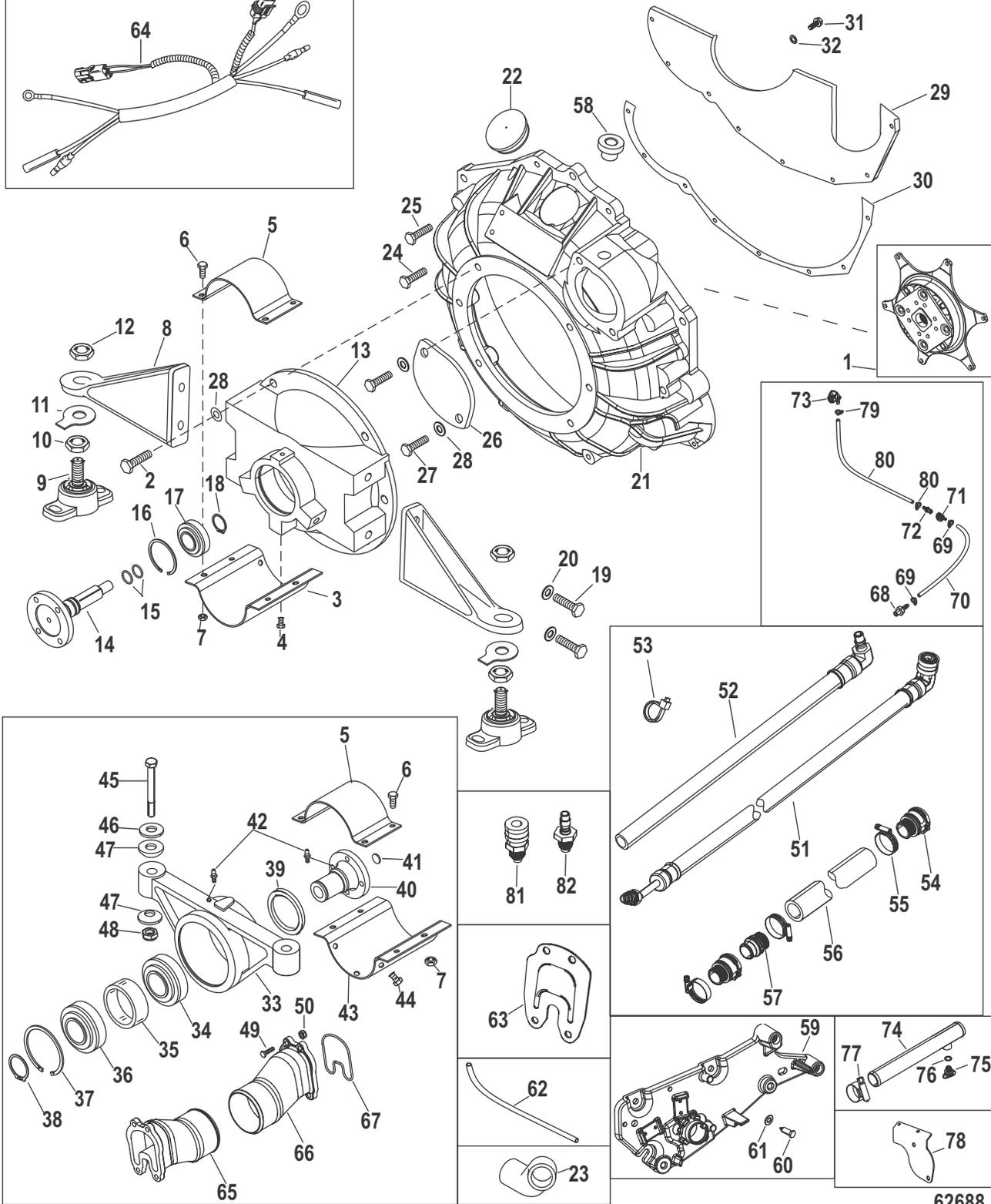
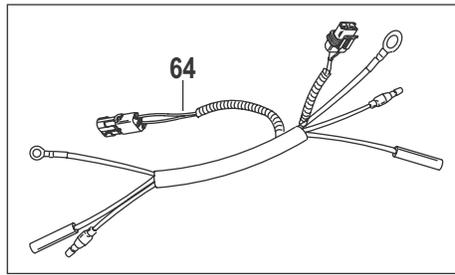
62688

Jackshaft Components

Ref #	Part Class	Part Number	Description	Comments	Qty	Note
40	0000	817415T	SHAFT Input		1	
41	0019	93921	EXPANSION PLUG		1	
42	0022	74036	FITTING Grease		2	
43	0000	93918A1	SHIELD Lower		1	
44	0010	76926	SCREW (.375-16 x .875)		3	
45	0010	57053	SCREW (.500-20 x 4.500)		2	
46	0012	35777	WASHER (.5156 x 1.375 x .125) Aluminum		2	
47	0012	42307	WASHER Spherical		4	
48	0011	898832	NUT (.500-20)		2	
49	0010	805159	SCREW (.437-20 x 1.500)		8	
50	0011	82670815	NUT (.437-20)		8	
51	0032	8M0063022	HOSE Female Quick Connect (Fittings on Both Ends)		1	
52	0032	865390134	HOSE Male Quick Connect (Fittings on One End)		1	
53	0054	816311T	TIE STRAP (8.00 Inches)		8	
54	0022	865324	QUICK CONNECT		2	
55	0054	815504222	CLAMP Worm Gear (1.98 Diameter)		4	
56	0032	8M0062666	HOSE (96.00 Inches Bulk)	(Cut to Length)	1	
57	0022	865362	QUICK CONNECT		1	
58	0019	38606	CAPLUG (#10)		1	
59	0000	8M0097162	BRACKET KIT		1	
60	0010	59784	SCREW (.250-10 x 1.00)		1	
61	0012	21249	WASHER		1	
62	0032	8M0062634	HOSE 44.00 inch Bulk (Cut to Length)	Alpha	1	
63	0000	861776A2	PLATE KIT Exhaust		1	
64	0084	8M0112940	HARNESS ASSEMBLY		1	
65	0000	862268T1	TUBE		1	
66	0000	862268T2	TUBE		1	
67	0000	41802	SEAL Rubber		1	
68	0022	13670	FITTING		1	
69	0054	815504210	CLAMP Worm Gear		2	
70	0032	8M0040618	HOSE 62 Inch Bulk		1	
71	0022	865379	FITTING Female		1	
72	0022	865191	FITTING Male		1	
73	0022	861163	QUICK CONNECTOR (90 Degree)		1	
74	0000	860315A1	TUBE Hose Extension Kit		1	
75	0022	8M0119211	PLUG ASSEMBLY (.500-13) Blue		1	[1]
76	0025	26802	O-RING (.424 x .103)		1	
77	0054	815504220	CLAMP Worm Gear		3	
78	0000	8M0117662	BRACKET Oil Cooler		1	
79	0054	815504210	CLAMP Worm Gear		2	
80	0032	8M0040618	HOSE 62 Inch Bulk (Cut to Length)		AR	
81	0022	865415	FITTING Power Steering Return		1	

Jackshaft Components

Jackshaft Components



62688

Cat.# 90-8M0124044

Jackshaft Components

Ref #	Part Class	Part Number	Description	Comments	Qty	Note
82	0022	865414001	FITTING Power Steering Pressure		1	

PART NOTES:

- [1] - Alternate part numbers:
806608Q01QS
8M0119211Service Part

Overhaul Gasket Set 6.2L

Overhaul Gasket Set 6.2L

Ref #	Part Class	Part Number	Description	Comments	Qty	Note
-	0027	8M0125352	GASKET SET		1	
-	0025	828249	GROMMET		4	
-	0025	8M2001671	GROMMET Engine Cover		4	
-	0025	8M0096302	GROMMET		4	
-	0026	8M6002624	SEAL Rear Main		1	
-	0027	8M0085226	SEAL Rocker Cover		2	
-		NSS	NOT SOLD SEPARATE Shim		8	
-	0000	8M0070507	GROMMET Rocker Cover		2	
-	0026	8M6004772	VALVE SEAL ASSEMBLY		16	
-	0027	8M6002430	GASKET Head		2	
-	0027	8M0082419	GASKET Circulation Pump		2	
-	0027	8M0069696	GASKET Timing Cover		1	
-	0026	8M6002623	SEAL Front		1	
-	0027	8M0082966	GASKET Intake Manifold		2	
-	0025	8M0043174	O-RING		1	
-	0025	8M0044601	O-RING		1	
-	0027	8M2000819	GASKET		2	
-	0027	8M2004414	GASKET		2	
-	0025	896699	O-RING (1.78 mm x .08 mm)		3	
-	0000	8M0081836	SEAL Crossover		3	
-	0027	8M0079167	GASKET Crossover		1	
-	0027	806871	GASKET Thermostat		1	
-	0025	26802	O-RING (.424 x .103)		4	
-	0027	47510	GASKET Thermostat		1	[1]
-	0025	30529	O-RING (1.925 x .103)		1	
-	0000	648771	DIAPHRAGM		1	
-	0000	8M2000565	O-RING		4	
-	0027	8M0111032	GASKET Oil Pan		1	
-	0026	866232	SEAL Throttle Body		1	
-	0027	8M2004606	GASKET Exhaust Elbow		2	
-	0025	8M0039163	O-RING (3/8 x 1/8)		2	
-	0025	8M0097747	SEAL Heat Exchanger		2	
-	0025	8071341	SEAL Thermostat		1	

PART NOTES:

- [1] - Alternate part numbers:
47510Service Part
47510QQS

PARTS INDEX

Part No.	Description	Pg.	Ref.no	Part No.	Description	Pg.	Ref.no
11178A01	BREAKER Circuit - 50 Ampere	12	8	12304	PLUG Timing Window	88	22
12427T	TOOL Shift Adjust	72	20	12657	TAB WASHER	88	11
13670	FITTING	90	68	14358001	TUBE Exhaust	38	5
14883	SCREW (.375-16 x 1.12)	80	11	15878	PIN Clevis	66	25
16419	PIN Clevis	66	26	17645	O-RING Reservoir End	76	15
18304	NUT	78	8	18529	PUMP ASSEMBLY With Screws	76	13
18545A1	REPAIR KIT	76	NS	1983389	HOSE	52	34
210711	COTTER PIN	72	10	210711	COTTER PIN	72	16
21249	WASHER	90	61	21825	NUT (.250-28)	74	22
23784	PIN Dowel	16	21	25908	WASHER (.265 x .812 x .0625)	74	20
26419	NUT (#8-32) Brass	74	12	26802	O-RING (.424 x .103)	40	18
26802	O-RING (.424 x .103)	46	13	26802	O-RING (.424 x .103)	52	16
26802	O-RING (.424 x .103)	58	3	26802	O-RING (.424 x .103)	90	76
26802	O-RING (.424 x .103)	94	-	26992	LOCKWASHER (.250) Stainless Steel	74	15
26992	LOCKWASHER (.250) Stainless Steel	74	21	26992	LOCKWASHER (.250) Stainless Steel	84	11
26992	LOCKWASHER (.250) Stainless Steel	88	32	26993	LOCKWASHER (.312)	8	29
29198	SCREW AND LOCKWASHER (.312-18 x .875)	52	11	29245	WASHER (.281 x .500 x .060) Stainless Steel	74	26
29245	WASHER (.281 x .500 x .060) Stainless Steel	84	10	29845	O-RING (.924 x .103)	88	15
30529	O-RING (1.925 x .103)	56	5	30529	O-RING (1.925 x .103)	94	-
32803	PLUG Pipe (.375-18) Brass	40	11	32803	PLUG Pipe (.375-18) Brass	46	8
328571	COTTER PIN	72	6	32993	LOCKWASHER (.437)	88	20
32993	LOCKWASHER (.437)	88	28	34931	WASHER (.406 x .734 x .063) Stainless Steel	8	9
34931	WASHER (.406 x .734 x .063) Stainless Steel	70	5	35044	WASHER (.281 x .625 x .065) Stainless Steel	8	14
35044	WASHER (.281 x .625 x .065) Stainless Steel	38	15	35048	LOCKWASHER (.375)	74	29
35280	WASHER (.255 x .620 x .030) Stainless Steel	12	2	35462	WASHER (.2656 x .625 x .0625) Stainless Steel	70	4
35462	WASHER (.2656 x .625 x .0625) Stainless Steel	72	9	35777	WASHER (.5156 x 1.375 x .125) Aluminum	90	46
36002	COTTER PIN	70	8	36305T	ELBOW	46	21
38606	CAPLUG (#10)	90	58	390721	PLUG Pipe (.125-27) Brass	40	9
39131	LOCKWASHER (.437)	20	15	40001195	SCREW (M10 x 30)	78	2
40001197	SCREW (M10 x 35)	80	7	40001213	SCREW (M10x70x10.9)	88	24
4000325	SCREW (M6 x 8)	60	5	4000328	SCREW (M6 x 16)	60	4
40011153	SCREW (M8 x 45) Stainless Steel	8	6	400212	NUT (M6) Stainless Steel	8	5
400213	NUT (M8) Stainless Steel	8	30	4002314	WASHER	58	12
400248	LOCKWASHER (M10)	80	5	4006731	SCREW (M6 x 16)	20	31
4006731	SCREW (M6 x 16)	66	14	40095110	SCREW (M8 x 110)	8	1
40095110	SCREW (M8 x 110)	40	23	40095110	SCREW (M8 x 110)	46	17
4009516	SCREW (M8 x 16)	40	12	4009516	SCREW (M8 x 16)	46	9
4010516	SCREW (M5 x 16) Stainless Steel	6	16	4010612	SCREW (M6 x 12) Stainless Steel	56	12
4010612	SCREW (M6 x 12) Stainless Steel	56	18	4010612	SCREW (M6 x 12) Stainless Steel	62	8
4010618	SCREW (M6 x 18) Stainless Steel	20	18	4010618	SCREW (M6 x 18) Stainless Steel	56	1
4010716	SCREW (M8 x 16)	8	20	4010720	SCREW (M8 x 20)	60	7
4010725	SCREW (M8 x 25)	22	28	4010725	SCREW (M8 x 25)	66	7
4010735	SCREW (M8 x 35)	60	20	4010816	SCREW (M10 x 16) Hex Flange - Stainless Steel	38	16
4010816	SCREW (M10 x 16) Hex Flange - Stainless Steel	58	16	4010820	SCREW (M10 x 20) Hex Flange - Stainless Steel	20	5
4010820	SCREW (M10 x 20) Hex Flange - Stainless Steel	62	5	40125100	NUT (M10)	80	4
401368	NUT (M8) Stainless Steel	8	3	41471	LOCKWASHER (.375)	38	10
41471	LOCKWASHER (.375)	38	13	41802	SEAL Rubber	90	67
42307	WASHER Spherical	90	47	428611	FITTING Pipe - Brass (.750-14) Included in Elbow Assemblies	34	15
428611	FITTING Pipe - Brass (.750-14)	34	25	428611	FITTING Pipe - Brass (.750-14)	40	4
428611	FITTING Pipe - Brass (.750-14)	46	3	42996	SPRING (Stainless Steel) Fresh Water Cooling	56	7
44348001	TUBE Exhaust	38	1	457101	O-RING (1.424 x .103)	56	3
45862	SCREW (#10-32 x .875)	12	9	46950	COTTER PIN	66	27
47483	J CLIP	8	31	47510	GASKET Thermostat	94	-
47651	SCREW (.437-14 x 1.50)	88	19	48409	SCREW (#10-16 x .625) Stainless Steel	74	18
49099	FITTING	80	NS	53167T	SCREW .312-18X .88	72	5
56720	WASHER (.330 x .750 x .060) Stainless Steel	72	8	56762	TIE STRAP (4.00 Inches)	84	5
57053	SCREW (.500-20 x 4.500)	90	45	58376	SCREW (.164-18 x .375)	66	21
58491	CHANNEL Rubber (4.00 Inches)	74	31	58640	SCREW (.375-16 x 1.25)	38	9
58643	LOCKWASHER (.375)	8	12	59351	ELBOW 90 Degree	68	36
59784	SCREW (.250-10 x 1.00)	74	25	59784	SCREW (.250-10 x 1.00)	90	60

PARTS INDEX

Part No.	Description	Pg.	Ref.no	Part No.	Description	Pg.	Ref.no
627021	O-RING (.301 x .070)	42	29	633001	CLAMP	22	25
63341	TEE NUT	72	12	648771	DIAPHRAGM	56	6
648771	DIAPHRAGM	94	-	64878	SPRING (Black) Bravo Raw Water Cooling	56	7
65292	J CLIP	56	13	65567	WASHER (.265 x .750 x .048) Stainless Steel	12	16
65567	WASHER (.265 x .750 x .048) Stainless Steel	22	17	657461	SCREW AND LOCKWASHER (.250-20 x .625)	70	15
657461	SCREW AND LOCKWASHER (.250-20 x .625)	72	17	668631	SCREW (.375-16 x 2.500)	34	12
68219	NUT (#10-32) Stainless Steel	6	15	68219	NUT (#10-32) Stainless Steel	12	11
68219	NUT (#10-32) Stainless Steel	52	36	68219	NUT (#10-32) Stainless Steel	84	2
68292	NUT (.312-18)	74	28	68402	PIN (.250 x 1.13) Clevis	72	15
69035	SCREW AND LOCKWASHER (.250-20 x .625) Stainless Steel	72	17	69067	SCREW (.250-20 x 1.375)	84	12
69355	TIE STRAP (5.50 Inches)	66	23	69570	SCREW (#10-16 x .750)	56	10
71587A10	RECOVERY KIT Coolant	52	31	71587A11	BOTTLE Plastic	52	32
72058	CAP	52	33	72554	DECAL Circuit Breaker	12	10
72761	WASHER (.203 x .562 x .060) Stainless Steel	66	20	73015	SCREW (.250-20 x 1.75)	44	7
73015	SCREW (.250-20 x 1.75)	50	8	73379	PLUG (.250-18)	34	14
73379	PLUG (.250-18)	40	2	73379	PLUG (.250-18)	48	9
74036	FITTING Grease	90	42	76451	WASHER	56	8
76596	SCREW (.250-20 x 1.250)	80	9	76926	SCREW (.375-16 x .875)	90	44
78945	J CLAMP	58	15	79023T10	FUSE ASSEMBLY 110 Ampere	74	19
79138A9	CABLE ASSEMBLY (6.00 Feet) Black-Negative	74	8	79139A12	CABLE ASSEMBLY Red-Positive	74	23
79147A09	HARNESS ASSEMBLY	74	5	79968	SCREW (#12-11 x .750)	58	19
803852	COUPLING	76	11	805159	SCREW (.437-20 x 1.500)	90	49
806232	O-RING (.239 x .064)	66	28	806608A02	PLUG ASSEMBLY (.500-13) Blue	40	17
806608A02	PLUG ASSEMBLY (.500-13) Blue	46	12	806608A02	PLUG ASSEMBLY (.500-13) Blue	52	15
806608A02	PLUG ASSEMBLY (.500-13) Blue	58	2	806681	SCREW (.375-16 x .875)	88	25
8067271	CAP Drive Lube Monitor	66	19	806871	GASKET	4	-
806871	GASKET	40	15	806871	GASKET Thermostat	94	-
807075A1	COVER	52	10	8071341	SEAL	52	9
8071341	SEAL Thermostat	94	-	807166A1	SHUTTER ASSEMBLY Water	38	7
807167	GROMMET	38	8	807260A2	COVER KIT Flywheel	80	14
808728T	ADAPTER ASSEMBLY	76	10	812498A1	VALVE KIT Relief	76	NS
812499A1	VALVE KIT Relief	76	NS	812619	FUSE Yellow - 20 Ampere	74	6
814309A1	HOUSING ASSEMBLY	88	21	814634	CLAMP	64	5
8148791	CAP Pressure	52	6	815504105	CLAMP Worm Gear (11-18 mm)	16	27
815504105	CLAMP Worm Gear (11-18 mm)	22	18	815504105	CLAMP Worm Gear (11-18 mm)	40	20
815504105	CLAMP Worm Gear (11-18 mm)	52	21	815504105	CLAMP Worm Gear (11-18 mm)	66	33
815504210	CLAMP Worm Gear	42	26	815504210	CLAMP Worm Gear	68	39
815504210	CLAMP Worm Gear	90	69	815504210	CLAMP Worm Gear	90	79
815504212	CLAMP Worm Gear	42	8	815504212	CLAMP Worm Gear	44	15
815504212	CLAMP Worm Gear	48	13	815504212	CLAMP Worm Gear	50	15
815504216	CLAMP Worm Gear (1.56 Diameter)	40	22	815504216	CLAMP Worm Gear (1.56 Diameter)	42	2
815504216	CLAMP Worm Gear (1.56 Diameter)	46	16	815504216	CLAMP Worm Gear (1.56 Diameter)	48	2
815504220	CLAMP Worm Gear	44	12	815504220	CLAMP Worm Gear	48	26
815504220	CLAMP Worm Gear	50	12	815504220	CLAMP Worm Gear	90	77
815504222	CLAMP Worm Gear (1.98 Diameter)	42	10	815504222	CLAMP Worm Gear (1.98 Diameter)	44	2
815504222	CLAMP Worm Gear (1.98 Diameter)	46	25	815504222	CLAMP Worm Gear (1.98 Diameter)	48	33
815504222	CLAMP Worm Gear (1.98 Diameter)	50	2	815504222	CLAMP Worm Gear (1.98 Diameter)	52	24
815504222	CLAMP Worm Gear (1.98 Diameter)	90	55	815504224	CLAMP Worm Gear	46	23
815504228	CLAMP Worm Gear	44	10	815504228	CLAMP Worm Gear	50	14
815504228	CLAMP Worm Gear	52	13	815504232	CLAMP Worm Gear (2.50 Diameter)	42	4
815504232	CLAMP Worm Gear (2.50 Diameter)	42	19	815504232	CLAMP Worm Gear (2.50 Diameter)	46	19
815504244	CLAMP Worm Gear Cooler	42	35	815504244	CLAMP Worm Gear Clamp	48	23
815504272	CLAMP Worm Gear	38	2	815504272	CLAMP Worm Gear	38	4
816311T	TIE STRAP (8.00 Inches)	12	NS	816311T	TIE STRAP (8.00 Inches)	68	37
816311T	TIE STRAP (8.00 Inches)	90	53	816585	SCREW (.312-18 x .875)	56	15
817415T	SHAFT Input	90	40	817416A4	HOUSING ASSEMBLY Bearing	88	33
817417T	SPACER	88	35	8175051	SCREW (.250-20 x .625)	58	6
818718A3	COVER KIT Flywheel Inspection	88	29	81893414	SCREW (M8 x 14)	22	11
82104520	SCREW (M5 x 20)	52	37	82104520	SCREW (M5 x 20)	84	3
82130025	SCREW (M6 x 25)	8	17	823444	SCREW	76	9

PARTS INDEX

Part No.	Description	Pg.	Ref.no	Part No.	Description	Pg.	Ref.no
826365	NUT (M8)	8	32	82670815	NUT (.437-20)	90	50
826709106	NUT (#10-32) Stainless Steel	12	12	826709109	NUT (.250-28) Stainless Steel	70	3
826709113	NUT (.375-24) Stainless Steel	70	13	82670912	NUT (.375-16) Stainless Steel	52	26
82670912	NUT (.375-16) Stainless Steel	88	7	8267118	NUT (.250-20)	8	16
828054	COVER Fuse	74	7	828249	GROMMET	6	3
828249	GROMMET	94	-	830749	SEAL	4	-
830749	SEAL	4	-	830796A03	CONNECTOR ASSEMBLY Weather Cap - 2 Pin Male	82	-
830796A1	CONNECTOR ASSEMBLY	46	6	830797A01	CONNECTOR ASSEMBLY Weather Cap - 2 Pin Female	24	38
834985	GROMMET	12	15	841897T	RING Retaining	88	18
852368	SCREW (#10-24 x .750)	72	25	855697	CLAMP	22	34
856156T04	SWITCH	66	22	856954	BUSHING	12	14
856954	BUSHING	28	21	858240	CAP	44	18
858240	CAP	50	18	859092	FITTING To Fuel Regulator	30	5
859126	NUT (.750-16)	78	3	859126	NUT (.750-16)	88	12
86015	GASKET Flywheel Inspection Cover	88	30	860315A1	TUBE Hose Extension Kit	90	74
861163	QUICK CONNECTOR (90 Degree)	90	73	861406	SOCKET	44	17
861406	SOCKET	50	17	861577	STUD Double Ended Metric (M10)	80	6
861578	PULLEY Use With .75 Shaft Diameter	66	6	861680	INSULATOR	74	17
861776A2	PLATE KIT	38	11	861776A2	PLATE KIT Exhaust	90	63
861788	SCREW (M10 x 1.5)	8	26	862040	SEAL	60	15
862225	FITTING	42	28	862268T1	TUBE	90	65
862268T2	TUBE	90	66	862548A1	BRACKET KIT Floor Or Transom Mounted	74	24
862603	FITTING	42	30	862975A2	DRIVEPLATE ASSEMBLY	88	1
862994T	FITTING	34	22	862994T	FITTING	48	12
863053T	MANIFOLD ASSEMBLY	58	10	863057	PUMP Air	58	20
863129	BALL	34	21	863129	BALL	48	10
863132	SPACER	70	14	863133	SPACER	70	10
86322A15	CABLE ASSEMBLY (5.50 Inches) Black	74	9	86322A24	CABLE ASSEMBLY (4.00 Inches)	74	13
863467	FITTING Orange Air Valve	58	4	863478	FITTING Tee	48	16
863485	FITTING	62	2	863499	FITTING Gray Air Valve	58	5
863802T2	HOUSING Water Distribution	58	1	864493	THERMOSTAT 77°C (170°F)	52	8
864623	FITTING	36	28	864689	PLUG Expansion	34	2
864689	PLUG Expansion Included in Elbow Assemblies	34	16	864701	O-RING (1.112 x .103)	34	20
864701	O-RING (1.112 x .103)	48	11	864708	COVER	52	2
864727	FITTING Y, (3) 1-1/4 In. OD Hose Barbs	44	3	864727	FITTING Y, (3) 1-1/4 In. OD Hose Barbs	50	3
864887	SCREW (M5)	58	13	865147T01	SCREW (#6-32 x .750) Stainless Steel	72	19
865148	SHOULDER SCREW (.312-18 x 1.843) Stainless Steel	72	14	865154A02	STUD KIT (.250-20/.250-28 x 2.120) With Cotter Pin	72	2
865181T01	HARNES ASSEMBLY Mercathode	84	9	865191	FITTING Male	90	72
865324	QUICK CONNECT	44	5	865324	QUICK CONNECT	50	5
865324	QUICK CONNECT	90	54	865362	QUICK CONNECT Replace if Adding Flush Kit	44	4
865362	QUICK CONNECT	50	4	865362	QUICK CONNECT	90	57
865379	FITTING Female To Transom	68	38	865379	FITTING Female	90	71
865380A13	PUMP/MOTOR ASSEMBLY Trim - 12 Volt	74	2	865380A13	PUMP/MOTOR ASSEMBLY Trim - 12 Volt	76	1
865380A25	PUMP ASSEMBLY Trim - Complete	74	1	865390015	HOSE Male Quick Connect Cylinder to Cooler	66	32
865390134	HOSE Male Quick Connect (Fittings on One End)	90	52	865393A02	STUD KIT (.250-28 x 1.90) With Cotter Pin	72	11
865412001	FITTING Stainless Steel	74	4	865412001	FITTING Stainless Steel Male Quick Connect	76	7
865413002	FITTING Stainless Steel	74	3	865413002	FITTING Stainless Steel Female Quick Connect	76	5
865414001	FITTING	66	31	865414001	FITTING Power Steering Pressure	92	82
865415	FITTING	66	30	865415	FITTING Power Steering Return	90	81
865434A02	RETAINER KIT Shift Cable, With Cotter Pin	72	3	865448A01	CAP Oil Reservoir	76	17
865597T	TENSIONER Belt	20	3	865655	SCREW (.250-20 x .500)	74	11
865777	PULLEY	20	6	865982005	SCREW (.375-16 x 1.00)	88	2
86606	BOOT Insulator - Black	6	17	86606	BOOT Insulator - Black	52	38
86606	BOOT Insulator - Black	84	6	866232	SEAL	30	17
866232	SEAL Throttle Body	94	-	866340K01	FILTER Oil - Mercury Brand	2	-
866340K01	FILTER Oil - Mercury Brand	4	-	866340K01	FILTER Oil - Mercury Brand	4	-
866340K01	FILTER Oil - Mercury Brand	62	3	866340Q03	FILTER Oil - Quicksilver Brand	62	3
866725	FITTING Straight (.750-14)	34	18	866725	FITTING Straight (.750-14)	34	24
866725	FITTING Straight (.750-14)	34	26	866725	FITTING Straight (.750-14)	40	5

PARTS INDEX

Part No.	Description	Pg.	Ref.no	Part No.	Description	Pg.	Ref.no
866725	FITTING Straight (.750-14)	46	4	866725	FITTING Straight (.750-14)	48	3
877617	CLAMP	22	36	877770K1	COOLANT MPP, 1 Gallon	2	-
879194363	SENSOR ASSEMBLY	20	19	879194A03	GIMBAL BEARING KIT	88	17
879194T46	SHIFT ACTUATOR	70	2	879288A34	ELBOW KIT Intermediate	38	3
879288A35	ELBOW KIT Intermediate	38	3	879288A36	ELBOW KIT Intermediate	38	3
879288A37	ELBOW KIT Intermediate	38	3	879288A38	ELBOW KIT Intermediate	38	3
879962	CLIP	22	14	881184	CIRCLIP	18	4
883166A2	RESERVOIR KIT	76	16	883167	SCREW (#8-32)	76	4
88388	O-RING	84	13	88441430	SCREW (M10 x 30)	20	2
885342002	SENSOR ASSEMBLY	34	17	885342002	SENSOR ASSEMBLY	40	6
885342002	SENSOR ASSEMBLY	46	5	88552514	SCREW (M6 x 14 MM) Stainless Steel	22	24
88552520	SCREW (M6 x 20 MM) Stainless Steel	32	5	88552550	SCREW (M6 x 50 MM) Stainless Steel	30	11
88552616	SCREW (M8 x 16)	22	20	88552616	SCREW (M8 x 16)	60	18
88552616	SCREW (M8 x 16)	62	12	88552616	SCREW (M8 x 16)	66	15
88552635	SCREW (M8 x 35 MM)	70	6	88552645	SCREW (M8X45)	30	9
88552655	SCREW (M8 x 55)	70	1	888913001	POPPET	56	16
891736T	MOTOR ASSEMBLY Complete	76	2	891737	BRUSH KIT	76	NS
891868	O-RING	76	6	891868	O-RING	76	8
892086035	SCREW (M10 x 35)	60	21	892233	NUT (M6) Stainless Steel	8	34
892608	BOARD ASSEMBLY Circuit - Radio Frequency Interference Filter	76	3	89302	WASHER (.203 x .406 x .040)	72	24
89496	FILTER	76	14	89498	O-RING Motor End	76	12
895319	GROMMET	28	20	896699	O-RING (1.78 mm x .08 mm)	40	7
896699	O-RING (1.78 mm x .08 mm)	46	7	896699	O-RING (1.78 mm x .08 mm)	94	-
897445501	SCREW (M6 x 20 MM)	12	1	897722	FITTING Straight Crankcase Vent Valve (PCV)	30	4
89879	O-RING (.301 x .064)	66	10	89879	O-RING (.301 x .064)	66	29
898832	NUT (.500-20)	90	48	899145	CLIP Tie Strap	8	35
899145	CLIP Tie Strap	12	5	899145	CLIP Tie Strap	30	18
899145	CLIP Tie Strap	58	14	89919	BOOT Insulator - Black	12	13
8M0011986	SENSOR ASSEMBLY	20	32	8M0029252	STUD	52	7
8M0032643	HOUSING Bravo Raw Water Cooling	56	4	8M0035079	HOSE Starboard Block Drain	42	27
8M0035110	HOSE Exhaust Manifold to Drain Fitting	42	31	8M0036759	COVER	56	9
8M0037209	GROMMET FSM Retainer	22	13	8M0038313	HOSE Connects to Lower Poppet Valve	42	7
8M0039163	O-RING (3/8 x 1/8)	52	3	8M0039163	O-RING (3/8 x 1/8)	94	-
8M0040618	HOSE 62 Inch Bulk	90	70	8M0040618	HOSE 62 Inch Bulk (Cut to Length)	90	80
8M0042965	DECAL C.A.R.B. 4 Star	6	NS	8M0043174	O-RING	32	2
8M0043174	O-RING	94	-	8M0043463	LINE ASSEMBLY Fuel Filter to Fuel Module	22	23
8M0043703	DECAL M-Icon, 66 MM, Black	6	8	8M0043993	SCREW (.312-18 x.75)	20	27
8M0044601	O-RING	32	4	8M0044601	O-RING	94	-
8M0044726	VALVE ASSEMBLY	22	4	8M0044991	IGNITION COIL Ignition Dual Output	8	18
8M0045046	NUT (M6) Stainless Steel	30	14	8M0046080	RESERVOIR ASSEMBLY Oil, Power Steering	66	2
8M0046157	BRACKET Air Pump	58	18	8M0046566	CAP	22	5
8M0046566	CAP	58	11	8M0050018	DRIVESHAFT ASSEMBLY KIT	60	12
8M0050237	CAP Oil Reservoir - Black	66	1	8M0050593	HARNES Adaptor Exhaust Temperature	82	-
8M0053725	FSM BOTTOM HOUSING	26	19	8M0053726	FSM TOP HOUSING	26	2
8M0053726	FSM TOP HOUSING	28	1	8M0053727	FSM CAP	26	9
8M0053727	FSM CAP	28	8	8M0053749	REGULATOR ASSEMBLY	26	4
8M0053749	REGULATOR ASSEMBLY	28	5	8M0053755	TUBE Suction	26	15
8M0053755	TUBE Suction	28	10	8M0053756	SCREW Plastite W/ HX WSR HD	26	1
8M0053756	SCREW Plastite W/ HX WSR HD	28	2	8M0055846	TUBE Oil Gauge	64	13
8M0055903	LINE Oil Filter to Block	62	9	8M0057679	FSM SEAL KIT	26	-
8M0057697	CUBE RELAY	12	4	8M0058586	PIN Dowel	14	22
8M0059679	BALL SEAT Rubber	34	23	8M0060041	FILTER Fuel	22	30
8M0060271	CABLE ASSEMBLY	84	4	8M0062603	TUBE (2440 MM) Cut to Length	58	9
8M0062634	HOSE 44.00 inch Bulk (Cut to Length)	90	62	8M0062635	HOSE 42.00 inch Bulk	44	16
8M0062653	HOSE (4 Inches)	50	1	8M0062666	HOSE (96.00 Inches Bulk) Cut to Length	44	1
8M0062666	HOSE (96.00 Inches Bulk) (Cut to Length)	50	1	8M0062666	HOSE (96.00 Inches Bulk)	90	56
8M0062770	PUMP ASSY High Pressure	26	12	8M0062770	PUMP ASSY High Pressure	28	12
8M0062771	PUMP ASSY Low Pressure	26	11	8M0062771	PUMP ASSY Low Pressure	28	13
8M0062950	FILTER ASSEMBLY	22	29	8M0063022	HOSE Female Quick Connect (Fittings on Both Ends)	90	51

PARTS INDEX

Part No.	Description	Pg.	Ref.no	Part No.	Description	Pg.	Ref.no
8M0063382	CYLINDER ASSEMBLY Power Steering	66	24	8M0064457	SCREW	18	6
8M0068619	PIN Dowel	14	17	8M0068620	KEY	14	18
8M0069612	SCREW	16	4	8M0069613	GROMMET	16	2
8M0069696	GASKET	20	28	8M0069696	GASKET Timing Cover	94	-
8M0070507	GROMMET	16	3	8M0070507	GROMMET Rocker Cover	94	-
8M0072630	SPRING	72	22	8M0073879	CAP	40	13
8M0073900	HOSE Crossover to Starboard Manifold	46	14	8M0074362	VALVE Exhaust	16	10
8M0074363	CAP	52	20	8M0074363	CAP Clamp	66	NS
8M0074364	CAP	40	21	8M0074364	CAP	42	1
8M0074364	CAP	44	13	8M0074364	CAP	46	15
8M0074364	CAP	48	1	8M0074364	CAP	50	13
8M0074364	CAP	52	12	8M0074832	SCREW (M10 x 1.5 x 49)	16	20
8M0074833	SCREW (M10 x 1.5 x 86)	16	19	8M0074941	PULLEY	60	17
8M0075090	BRACKET	60	1	8M0075305	TUBE Oil	32	3
8M0076059	INSULATOR Hot Stud	8	39	8M0076509	SCREW (.4375 x 20)	80	12
8M0077292	HOSE Oil Pump to Reservoir	66	5	8M0077562	TUBE (2440 MM) Cut to Length	58	17
8M0077643	HOT STUD ASSEMBLY	8	7	8M0078403	CAP	46	10
8M0078629	4-CYCLE OIL, SYN MPP, 1 Quart	2	-	8M0078630	4-CYCLE OIL, SYN MPP, 1 Gal	2	-
8M0078831	HOSE Exchanger to Crossover	46	24	8M0079045	RETAINER	14	12
8M0079046	SCREW	14	13	8M0079104	SHIFT ARM	70	7
8M0079167	GASKET	4	-	8M0079167	GASKET	40	14
8M0079167	GASKET	46	11	8M0079167	GASKET Crossover	94	-
8M0079605	SCREW (M10 x 1.5 x 59)	64	8	8M0080036	HOSE ASSEMBLY Bottle to Transom	66	13
8M0080675	HOSE Distribution Housing to Drain Fitting	42	24	8M0081037	BRACKET Air Actuator	52	27
8M0081260	SCREW M12 x 1.75 Oil Drain	64	2	8M0081836	SEAL	40	3
8M0081836	SEAL	46	2	8M0081836	SEAL Crossover	94	-
8M0082256	SCREW (M6 x 1)	42	39	8M0082256	SCREW (M6 x 1)	48	28
8M0082282	SCREW (M8 x 1.25)	64	6	8M0082286	HOSE Steering Cooler to Y Fitting	42	11
8M0082286	HOSE Steering Cooler to Y Fitting	48	19	8M0082321	FITTING (90 Degree)	60	2
8M0082322	FITTING Orange (90 Degree)	60	3	8M0082363	PLUG Included in Elbow Assemblies	34	10
8M0082419	GASKET	20	10	8M0082419	GASKET Circulation Pump	94	-
8M0082966	GASKET Intake Manifold	30	6	8M0082966	GASKET Intake Manifold	94	-
8M0083241	ALIGNMENT BAR	16	8	8M0083431	CLAMP	66	3
8M0083541	SCREW (M10 x 16)	8	21	8M0083541	SCREW (M10 x 16) Lifting Eye	16	23
8M0083541	SCREW (M10 x 16) Lifting Eye	16	23	8M0083541	SCREW (M10 x 16) Alignment Eye	16	23
8M0083541	SCREW (M10 x 16) Lifting Eye	16	23	8M0083541	SCREW (M10 x 16)	22	32
8M0083541	SCREW (M10 x 16) To Block	58	8	8M0084147	INSULATOR	8	4
8M0084884	SEAL	52	5	8M0085005	FUEL RAIL Port	22	7
8M0085006	FUEL RAIL Starboard With Spacer	22	3	8M0085226	SEAL Rocker Cover	16	5
8M0085226	SEAL Rocker Cover	94	-	8M0085343	DECAL Rear Center Cover	6	10
8M0085344	DECAL Rear Center Cover	6	10	8M0085347	DECAL Center Cover 6.2L	6	9
8M0085348	DECAL Center Cover 6.2L	6	9	8M0085349	DECAL Emissions Control Technology	6	NS
8M0085360	DECAL Remove Cover	6	NS	8M0085692	MERCATHODE SYSTEM	84	8
8M0085864	FITTING	40	10	8M0085864	FITTING	52	23
8M0085910	HOSE Distribution Housing to Heat Exchanger	52	25	8M0086022	HOSE (24 Inches Bulk)	16	28
8M0086279	SCREW (M6)	42	18	8M0086279	SCREW (M6) Cooler to Strainer	48	29
8M0086354	STUD (M8 x 1.25)	20	8	8M0086594	HOSE Fuel Module to Heat Exchanger	52	22
8M0086839	CAP	22	31	8M0087038	HOSE Strainer to Distribution Housing	42	21
8M0087038	HOSE	48	32	8M0087147	SPACER	80	3
8M0087229	SCREW (M6)	14	7	8M0087404	HOSE Fuel Module to Water Strainer	22	19
8M0087451	PLUG (18MM)	14	2	8M0087453	PLUG (24 MM)	14	5
8M0087842	SCREW M8	64	4	8M0087853	NUT (.750-16)	78	5
8M0087853	NUT (.750-16) Jam	88	10	8M0088265	STRAP	66	17
8M0088717	HOSE ASSEMBLY To Fuel Tank	22	26	8M0088736	HOSE Crossover to Thermostat Housing	46	20
8M0088806	HOSE Thermostat to Exchanger	52	14	8M0088876	BELT	20	29
8M0088893	FITTING Drain	42	14	8M0089455	NUT	8	10
8M0089559	HOUSING Fresh Water Cooling	56	4	8M0089715	THERMOSTAT 60 Degree C (140 Degree F)	4	-
8M0089715	THERMOSTAT 60 Degree C (140 Degree F)	40	16	8M0089907	DECAL Steering Fluid	66	NS
8M0090430	HOSE FSM to Crossover	40	8	8M0090499	SCREW (M8 x 23.5)	64	15
8M0090535	NUT (M10 Flange)	60	23	8M0091592	BRACKET Alignment Eye	16	25
8M0091668	PLATE Relief Valve	56	17	8M0091684	BRACKET Lifting Eye	16	32

PARTS INDEX

Part No.	Description	Pg.	Ref.no	Part No.	Description	Pg.	Ref.no
8M0092110	PIN Dowel	80	8	8M0093699	WASHER Special	78	4
8M0093699	WASHER Special	78	9	8M0094253	HOSE Crossover to Port Manifold	46	22
8M0094644	HOSE Exchanger to Poppet Valve	52	29	8M0095073	CAP Oil	32	1
8M0095438	PULLEY	20	14	8M0095440	BRACKET Lifting Eye	16	24
8M0095442	MOUNT Engine	78	1	8M0095444	BRACKET Water Distribution Housing	58	7
8M0095446	VALVE ASSEMBLY Poppet Bravo Raw Water Cooling	56	-	8M0095454	SPARK PLUG	2	-
8M0095454	SPARK PLUG	4	-	8M0095454	SPARK PLUG	8	37
8M0095455	BRACKET	6	6	8M0095456	COVER Front	6	4
8M0095457	STRAINER ASSEMBLY	42	16	8M0095457	STRAINER ASSEMBLY	48	30
8M0095458	PULLEY	20	30	8M0095459	VALVE ASSEMBLY Poppet Fresh Water Cooling	56	-
8M0095461	PULLEY	20	30	8M0095468	SENSOR O2	34	27
8M0095471	STARTER ASSEMBLY	8	27	8M0095472	ALTERNATOR ASSEMBLY	8	2
8M0095473	BRACKET Coil	8	25	8M0095474	BRACKET Coil	8	23
8M0095476	BRACKET Electrical	12	6	8M0095479	LUBE BOTTLE ASSEMBLY	66	18
8M0095481	PUMP ASSEMBLY .75 Shaft Diameter	66	8	8M0095482	COOLER Power Steering	66	34
8M0095576	HARNES ASSEMBLY Demand Sensor	72	23	8M0095577	SWITCH ASSEMBLY Neutral	72	18
8M0095579	HARNES ASSEMBLY Transom	8	NS	8M0095579	HARNES ASSEMBLY Transom	82	-
8M0095757	BRACKET	66	16	8M0095761	HOSE Low Drain to T Fitting	48	17
8M0095765	HOSE Upper Drain Fitting to T Fitting	48	15	8M0095813	HOSE T Fitting to Elbow	48	14
8M0095814	HOSE T Drain to Lower Elbow	48	18	8M0095916	BEARING SET Main	14	19
8M0095917	BEARING SET Thrust	14	20	8M0095919	PISTON ASSEMBLY	18	1
8M0095920	RING SET Piston Standard	18	2	8M0095926	ROCKER ARM	16	7
8M0095943	RELUCTOR WHEEL	20	23	8M0095949	BRACKET	70	12
8M0095950	LEVER ASSEMBLY Shift	72	13	8M0095953	FITTING ASSEMBLY	34	19
8M0095979	HARNES Power	8	NS	8M0095980	HARNES Ground	8	NS
8M0095980	HARNES Ground Alternator	82	-	8M0095981	HARNES Excitation Alternator	82	-
8M0095983	HOUSING Remote Oil Filter	62	1	8M0096302	GROMMET	12	7
8M0096302	GROMMET	30	20	8M0096302	GROMMET	94	-
8M0096310	HARNES Mercathode 3 Wire	6	NS	8M0096310	HARNES Mercathode 3 Wire	52	NS
8M0096310	HARNES Mercathode Engine Harness to Mercathode	82	-	8M0096310	HARNES Mercathode	84	7
8M0096712	HOSE Poppet to T Drain	48	6	8M0096726	HOSE Poppet to T Drain	48	7
8M0097146	HOSE Y Fitting to T Fitting	48	20	8M0097162	BRACKET KIT Shift	72	1
8M0097162	BRACKET KIT	90	59	8M0097249	COVER	42	17
8M0097249	COVER	48	31	8M0097266	RUBBER MOUNT	80	2
8M0097283	WASHER Copper Included in Elbow Assemblies	34	11	8M0097728	BELT Serpentine	4	-
8M0097728	BELT	20	29	8M0097732	STUD (M10x1.5x55)	60	22
8M0097747	SEAL Heat Exchanger	94	-	8M0098000	VALVE Intake	16	11
8M0098457	HOSE Crossover to Port Manifold	42	32	8M0098795	COUPLER ASSEMBLY	80	10
8M0098880	OFFSET Hot Stud	8	33	8M0098958	LINE Oil Block to Cooler	62	10
8M0098966	LINE Oil Cooler to Filter	62	6	8M0098984	HOSE Drain Fitting to Drain Fitting	42	40
8M0098992	HOSE Drain Fitting to Y Fitting	42	23	8M0099061	HOSE Oil Reservoir to Cooler	66	12
8M0099107	HOSE Port Block Drain	42	33	8M0099109	HOSE Port Manifold Drain	42	9
8M0099294	HOSE Drain Fitting to Strainer	42	15	8M0099294	HOSE	48	27
8M0099539	HOSE Y Fitting to Drain Fitting	42	13	8M0099539	HOSE Y Fitting to Cooler	48	22
8M0099692	HOSE Connects to Upper Poppet Valve	42	3	8M0099692	HOSE Poppet to Elbow, Starboard Top	48	5
8M0099693	HOSE Poppet to Elbow, Starboard Bottom	48	4	8M0099694	DECAL 300 Chrome	6	13
8M0099695	DECAL 350 Chrome	6	13	8M0099722	DECAL Specifications	6	12
8M0099745	OPERATION MANUAL Axius JP	2	-	8M0099747	INSTALLATION MANUAL Axius JP	2	-
8M0099900	HOSE Connects to Poppet Valve; Starboard Bottom	42	34	8M0100156	STUD (M6 x 1 x 60)	8	8
8M0100517	MERCATHODE CONTROLLER MerCathode	6	14	8M0100517	MERCATHODE CONTROLLER MerCathode	52	35
8M0100517	MERCATHODE CONTROLLER MerCathode Controller with Hardware Only	84	1	8M0100541	HOSE Connects to Upper Poppet Valve	42	6
8M0101621	THROTTLE ARM ASSEMBLY	72	21	8M0101639	HARNES Engine to Helm Mechanical Smart Tow Helm Harness	86	-
8M0101640	EXTENSION HARNES 10 ft Mechanical Smart Tow Helm Harness	86	-	8M0101641	EXTENSION HARNES 15 ft Mechanical Smart Tow Helm Harness	86	-
8M0101642	EXTENSION HARNES 20 ft Mechanical Smart Tow Helm Harness	86	-	8M0101643	EXTENSION HARNES 25 ft Mechanical Smart Tow Helm Harness	86	-
8M0101644	EXTENSION HARNES 30 ft Mechanical Smart Tow Helm Harness	86	-	8M0101650	SMARTTOW COMMAND MODULE KIT	86	-
8M0101778	PIN Dowel	14	11	8M0102904	BRACKET	22	15

PARTS INDEX

Part No.	Description	Pg.	Ref.no	Part No.	Description	Pg.	Ref.no
8M0103048	CLAMP	30	13	8M0103147	HOSE Flush	50	16
8M0103408	CHECK VALVE	36	29	8M0103773	MANIFOLD ASSEMBLY Exhaust Starboard	34	1
8M0103774	MANIFOLD ASSEMBLY Exhaust Port	34	1	8M0103804	SCREW (M6 x 12 MM) Stainless Steel	30	3
8M0103805	SCREW (M6 x 16MM) Stainless Steel	22	33	8M0103805	SCREW (M6 x 16MM) Stainless Steel	30	8
8M0103805	SCREW (M6 x 16MM) Stainless Steel	30	19	8M0103807	SCREW (M6 x 25 MM) Stainless Steel	12	17
8M0103807	SCREW (M6 x 25 MM) Stainless Steel	22	22	8M0103817	SCREW (M8 x 60)	20	9
8M0104207	ELBOW ASSEMBLY No Rise Port	34	7	8M0104208	ELBOW ASSEMBLY No Rise Starboard	34	7
8M0104209	ELBOW ASSEMBLY 2 Inch Riser (Includes Port & Starboard)	34	7	8M0104210	ELBOW ASSEMBLY 4 Inch Riser (Includes Port & Starboard)	34	7
8M0104211	ELBOW ASSEMBLY 6 Inch Riser (Includes Port & Starboard)	34	7	8M0104773	MOUNT ASSEMBLY	78	6
8M0104773	MOUNT ASSEMBLY	88	9	8M0104774	MOUNT ASSEMBLY	78	7
8M0104881	CABLE KIT Ignition	8	38	8M0104882	DECAL SET Drain, Maintenance, and Specifications	52	30
8M0104915	HOUSING ASSEMBLY Flywheel	80	1	8M0104918	CATALYST	34	5
8M0104920	BRACKET	22	16	8M0104921	HARNESS ASSEMBLY Transom	82	-
8M0104922	HARNESS ASSEMBLY Transom	82	-	8M0104935	BRACKET Intake Cover	30	21
8M0105201	BRACKET	42	38	8M0105201	BRACKET	48	25
8M0105209	COVER Engine	6	1	8M0105232	HOSE (.375 ID x .62)	16	30
8M0105309	HOSE Balance	22	1	8M0105518	AUTHENTIC DEVICE SmartCraft	86	-
8M0106012	SCREW (M6 x 1-12)	8	24	8M0106012	SCREW (M6 x 1-12)	64	14
8M0106637	COVER Intake	6	2	8M0107021	CRANKSHAFT ASSEMBLY	14	16
8M0107022	CONNECTING ROD ASSEMBLY	18	5	8M0107023	CYLINDER HEAD ASSEMBLY	16	9
8M0107025	CAMSHAFT ASSEMBLY	14	10	8M0107026	TIMING CHAIN SET	20	24
8M0107027	BEARING SET Connecting Rod	18	7	8M0107028	PAN ASSEMBLY Oil	64	1
8M0107029	COVER ASSEMBLY Timing Chain	20	21	8M0107033	OIL COOLER	42	37
8M0107033	OIL COOLER	48	24	8M0107034	CROSSOVER	40	1
8M0107035	CROSSOVER	46	1	8M0107038	INTAKE MANIFOLD	30	1
8M0107043	HARNESS Alternator Power	82	-	8M0107044	HARNESS Starter to Hot Stud	8	NS
8M0107044	HARNESS Starter to Hot Stud	82	-	8M0107045	FITTING Y	42	22
8M0107048	BRACKET Remote Oil	62	13	8M0107074	COVER ASSEMBLY, ROCKER	16	1
8M0107106	BEARING SET Camshaft	14	14	8M0107313	LIFTER GUIDE	14	8
8M0107543	HOSE Pump to Cylinder	66	9	8M0107544	HOSE Pump to Cylinder	66	9
8M0107935	SPACER Injector Orientation For Number 8 Injector	22	NS	8M0107994	SCREW M8 Hex Flange	52	18
8M0108016	SCREW (M8 x 1.25-16)	20	7	8M0108016	SCREW (M8 x 1.25-16)	20	13
8M0109010	FITTING Elbow (45 Degree)	68	36	8M0109086	HUB	60	16
8M0109309	CLAMP Heat Exchanger	52	28	8M0109343	PAD Heat Exchanger	52	17
8M0109400	STUD	30	16	8M0109442	GASKET Throttle Body	30	22
8M0109475	GASKET	44	9	8M0109475	GASKET	50	10
8M0109511	HOSE	44	6	8M0109511	HOSE	50	7
8M0109593	BRACKET	22	27	8M0109819	WASHER	20	16
8M0110657	HOSE Fuel Supply Module to Fuel Rail	22	12	8M0110923	PUMP ASSEMBLY .665 Shaft Diameter	66	8
8M0111032	GASKET Oil Pan	64	3	8M0111032	GASKET Oil Pan	94	-
8M0111791	HOUSING Inlet	50	9	8M0111943	PULLEY 4 Hole Face Use With .665 Shaft Diameter	66	6
8M0112940	HARNESS ASSEMBLY	90	64	8M0113519	FLAME ARRESTOR KIT With Clamp and Clamp Cover	30	12
8M0113732	HARNESS ASSEMBLY DTS, Clean Power, 14 Feet	82	-	8M0114196	CLIP	38	14
8M0114263	SCREW (M10 x 1.50 x 86)	14	21	8M0114788	PLATE Wear, Seal	60	10
8M0114791	DRIVER Oil Pump	64	11	8M0114792	PUMP ASSEMBLY Oil	64	7
8M0114793	HOUSING Inlet Blue	44	8	8M0114796	BRACKET Heat Exchanger	52	19
8M0114805	THROTTLE BODY ASSEMBLY 80 MM	30	10	8M0114809	HEAT EXCHANGER ASSEMBLY	52	1
8M0114814	LONGBLOCK ASSEMBLY 6.2L	14	-	8M0114814	LONGBLOCK ASSEMBLY 6.2L	16	-
8M0114814	LONGBLOCK ASSEMBLY 6.2L	64	-	8M0114815	HARMONIC DAMPER ASSEMBLY	20	17
8M0114817	RESONATOR	30	15	8M0114818	HARNESS ASSEMBLY Engine Mechanical Shift	82	-
8M0114819	HARNESS ASSEMBLY Engine Digital Shift	82	-	8M0115070	DIPSTICK	64	12
8M0115075	HOSE Manifold to Heat Exchanger	48	35	8M0115076	HOSE Manifold to Heat Exchanger	48	34
8M0115132	SCREW (M6) SEMS	56	11	8M0115149	PIPE Exhaust	38	6
8M0115431	BRACKET	56	14	8M0116534	PUMP ASSEMBLY Circulating	20	11
8M0116637	Bracket Steering Pump	20	1	8M0117000	LIFTER	14	9
8M0117029	HOSE Y Fitting to Crossover	42	20	8M0117030	HOSE Y Fitting to Circulation Pump	42	25
8M0117379	HOSE Fuel Regulator to Induction Plenum	22	6	8M0117662	BRACKET Oil Cooler	90	78
8M0118130	HOSE Crossover to Manifold	42	36	8M0118474	HOSE Steering Cooler to Y Fitting	88	23
8M0118727	COOLER Power Steering	68	34	8M0119211	PLUG ASSEMBLY (.500-13) Blue	60	6

PARTS INDEX

Part No.	Description	Pg.	Ref.no	Part No.	Description	Pg.	Ref.no
8M0119211	PLUG ASSEMBLY (.500-13) Blue	90	75	8M0119250	TUBE Fuel	26	14
8M0119290	OPERATIONS MANUAL Sterndrive	2	-	8M0119297	INSTALLATION MANUAL Sterndrive	2	-
8M0119306	SERVICE MANUAL	2	-	8M0119308	FITTING KIT Hot Water	86	-
8M0120073	TUBE Water	26	17	8M0120073	TUBE Water	28	16
8M0121387	FUEL SUPPLY MODULE Dual Pump	22	21	8M0121387	FUEL SUPPLY MODULE Dual Pump	26	-
8M0121940	IMPELLER KIT Heavy Duty	60	9	8M0122010	MERCATHODE KIT	84	1
8M0122423	FUEL FILTER Quicksilver	2	-	8M0122424	FUEL FILTER Mercury	4	-
8M0122424	FUEL FILTER Mercury	4	-	8M0122664	COVER ASSEMBLY Sea Pump	60	19
8M0122665	IMPELLER HOUSING ASSEMBLY	60	8	8M0122666	SEA PUMP KIT (With Distribution Housing)	60	-
8M0122667	SEA PUMP ASSEMBLY Sea Water	60	-	8M0123083	FLUSH KIT	44	NS
8M0123083	FLUSH KIT	86	-	8M0123130	FLYWHEEL ASSEMBLY	80	13
8M0123588	CLOSED COOLING KIT	86	-	8M0123590	HOSE KIT Supplemental	86	-
8M0124044	PARTS MANUAL 6.2L MPI MCM	2	-	8M0124464	PCM 300 HP DTS EC	12	3
8M0124465	PCM 350 HP DTS EC	12	3	8M0124466	PCM 300 HP DTM EC	12	3
8M0124467	PCM 350 HP DTM EC	12	3	8M0124468	PCM 300 HP DTS NON-EC	12	3
8M0124469	PCM 350 HP DTS NON-EC	12	3	8M0124470	PCM 300 HP DTM NON-EC	12	3
8M0124471	PCM 350 HP DTM NON-EC	12	3	8M0124634	JACKSHAFT KIT	86	-
8M0124634	JACKSHAFT KIT	88	-	8M0125300	SHIFT BRACKET ASSEMBLY	72	1
8M0125352	GASKET SET	94	-	8M0126528	TAILSTOCK ASSEMBLY (Includes Shaft, Housing, Retainers, and O-Rings)	88	13
8M0126648	FITTING	24	39	8M0127239	SHIFT BRACKET ASSEMBLY DTS	70	-
8M0127767	NUT Nyloc	78	10	8M0130873	TUBE Fuel	28	17
8M0130878	FSM BOTTOM HOUSING	28	19	8M0132733	FUEL SUPPLY MODULE Dual Pump	28	-
8M0133370	FSM SEAL KIT	28	-	8M0137059	HOSE ASSEMBLY	22	37
8M0137221	IMPELLER KIT Heavy Duty	4	-	8M0140384	SCREW (M8)	20	4
8M0146601	BRACKET ASSEMBLY	22	35	8M0147052	MAINTENANCE KIT 4.5L/6.2L MPI (100 Hours)	4	-
8M0147070	MAINTENANCE KIT 6.2L MPI Bravo (300 Hours)	4	-	8M0158108	DECAL SET Drain, Maintenance and Specifications	52	30
8M2000229	SCREW (.375-16 x 4.75)	34	4	8M2000565	O-RING	62	4
8M2000565	O-RING	94	-	8M2000819	GASKET	34	3
8M2000819	GASKET	94	-	8M2001570	CLIP	22	8
8M2001645	SEAL	60	13	8M2001671	GROMMET	6	5
8M2001671	GROMMET Engine Cover	94	-	8M2003728	Y-FITTING	42	12
8M2003728	Y-FITTING	48	21	8M2003959	SENSOR Oxygen	34	6
8M2004414	GASKET Included in Elbow Assemblies	34	13	8M2004414	GASKET	94	-
8M2004597	BRACKET Cover Included in 6 Inch Elbow Assembly	34	9	8M2004597	BRACKET Cover Included in 6 Inch Elbow Assembly	34	9
8M2004606	GASKET	34	13	8M2004606	GASKET Exhaust Elbow	94	-
8M2007128	SCREW (1/4-20) Hex Flange Included in 6 Inch Elbow Assembly	34	8	8M2007128	SCREW (1/4-20) Hex Flange Included in 6 Inch Elbow Assembly	34	8
8M2009720	RETAINER	70	9	8M2012295	FITTING ASSEMBLY	48	8
8M2017060	VALVE PCV	4	-	8M2017060	VALVE PCV	16	29
8M2020465	FITTING	56	2	8M2021674	SCREW (.437-20 x 2.50)	20	12
8M2023903	HOSE Crossover to Circulating Pump	46	18	8M2023904	HOSE	44	11
8M2023904	HOSE	50	11	8M2023916	HOSE Y Fitting to Poppet Valve Cover	42	5
8M2023920	BOOT	8	36	8M2024045	SCREW (M8 x 45)	16	6
8M2106030	SCREW (M6 x 1-30)	20	20	8M2600010	SCREW (M6x10)	6	7
8M2600010	SCREW (M6x10) RWC Cover Bracket	40	19	8M4501756	FITTING	44	14
8M4501756	FITTING	50	19	8M6000623	SENSOR Water Pressure Water Pressure	8	19
8M6000623	SENSOR Water Pressure Pressure	68	35	8M6000634	PRESSURE SENSOR Oil Pressure	8	22
8M6001459	CLAMP (45.5)	50	6	8M6001892	SHAFT	64	10
8M6001893	RETAINER	64	9	8M6001960	FUSE 90 Amp - Purple	8	13
8M6002021	FUSE HOLDER	8	11	8M6002029	SENSOR Intake Manifold Temperature/Pressure Temperature / Manifold Pressure	30	7
8M6002071	PLUG Expansion	16	18	8M6002226	CLAMP	22	2
8M6002386	SPRING	16	15	8M6002411	CLIP	66	11
8M6002412	PLUG (1.64)	14	3	8M6002413	PLUG (2.14)	14	4
8M6002428	FUEL INJECTOR	22	9	8M6002430	GASKET Head	16	22
8M6002430	GASKET Head	94	-	8M6002623	SEAL Front	20	22
8M6002623	SEAL Front	94	-	8M6002624	SEAL	14	15
8M6002624	SEAL Rear Main	94	-	8M6002848	KEY AND RETAINER ASSEMBLY	16	NS
8M6002874	PUSH ROD	16	31	8M6003344	VALVE ASSEMBLY Oil Bypass	14	6
8M6003698	SOLENOID	8	28	8M6004772	VALVE SEAL ASSEMBLY	94	-

PARTS INDEX

Part No.	Description	Pg.	Ref.no	Part No.	Description	Pg.	Ref.no
8M6004776	HARNESSE ASSEMBLY	26	20	8M6004776	HARNESSE ASSEMBLY	28	22
8M6055000	SEAL ASSEMBLY Valve	16	14	90285	SCREW (.312-18 x .625)	74	27
92913	SCREW (.437-14 x .750)	88	27	93906A2	SHAFT Output	88	14
93911A4	HOUSING ASSEMBLY Shaft Extension Support	88	NS	93914	RING Retaining	88	37
93915	RING Retaining	88	38	93918A1	SHIELD Lower	88	3
93918A1	SHIELD Lower	90	43	93919A1	SHIELD Upper	88	5
939201	PLATE Cover	88	26	93921	EXPANSION PLUG	90	41
93923A1	MOUNT ASSEMBLY Flywheel Housing	88	8	93924	SEAL Oil	88	39
93944A2	BEARING SET Ball	88	34	94104	RING Retaining	88	16
94247	SCREW (.375-16 x .750) Stainless Steel	52	4	94275	LINK Connector	74	14
94330	NUT (.250-20) Brass	8	15	94330	NUT (.250-20) Brass	74	16
95353A1	VALVE KIT Thermal Relief	76	NS	96158T	SOLENOID	74	10
96995	SCREW (.375-16 x .880)	88	4	96995	SCREW (.375-16 x .880)	88	6
97224	J CLIP	22	10	97850T	ELBOW 90 Degree	16	26
98253	SCREW (.250-20 x .500)	88	31	98260	SCREW (.375-16 x .620)	74	30
98794	SCREW (.375-16 x 1.00)	38	12	98828	SPACER	70	11
98828	SPACER	72	4	98880	SPRING	72	7
F698772	CLAMP Worm Gear	66	4	NSS	NOT SOLD SEPARATE Decal, No Step	6	11
NSS	NOT SOLD SEPARATE Cylinder Block	14	1	NSS	NOT SOLD SEPARATE Valve Seat (Intake)	16	12
NSS	NOT SOLD SEPARATE Valve Seat (Exhaust)	16	13	NSS	NOT SOLD SEPARATE Spring Retainer	16	16
NSS	NOT SOLD SEPARATE Valve Stem Lock	16	17	NSS	NOT SOLD SEPARATE Piston Pin	18	3
NSS	NOT SOLD SEPARATE Camshaft Gear	20	25	NSS	NOT SOLD SEPARATE Crankshaft Gear	20	26
NSS	NOT SOLD SEPARATE O-Ring	26	3	NSS	NOT SOLD SEPARATE O-Ring	26	5
NSS	NOT SOLD SEPARATE O-Ring	26	6	NSS	NOT SOLD SEPARATE Seal	26	7
NSS	NOT SOLD SEPARATE O-Ring	26	8	NSS	NOT SOLD SEPARATE Seal	26	10
NSS	NOT SOLD SEPARATE O-Ring	26	13	NSS	NOT SOLD SEPARATE O-Ring	26	16
NSS	NOT SOLD SEPARATE Seal	26	18	NSS	NOT SOLD SEPARATE O-Ring	26	21
NSS	NOT SOLD SEPARATE O-Ring	26	22	NSS	NOT SOLD SEPARATE Spacer	26	23
NSS	NOT SOLD SEPARATE O-Ring	28	3	NSS	NOT SOLD SEPARATE Spacer	28	4
NSS	NOT SOLD SEPARATE O-Ring	28	6	NSS	NOT SOLD SEPARATE Seal	28	7
NSS	NOT SOLD SEPARATE O-Ring	28	9	NSS	NOT SOLD SEPARATE Seal	28	11
NSS	NOT SOLD SEPARATE Seal	28	14	NSS	NOT SOLD SEPARATE O-Ring	28	15
NSS	NOT SOLD SEPARATE Seal	28	18	NSS	NOT SOLD SEPARATE O-Ring	28	23
NSS	NOT SOLD SEPARATE O-Ring	28	24	NSS	NOT SOLD SEPARATE Shield	30	2
NSS	NOT SOLD SEPARATE Wear Plate	60	11	NSS	NOT SOLD SEPARATE Snap Ring	60	14
NSS	NOT SOLD SEPARATE Bracket	62	7	NSS	NOT SOLD SEPARATE Bracket	62	11
NSS	NOT SOLD SEPARATE Pin	80	15	NSS	NOT SOLD SEPARATE	88	36
NSS	NOT SOLD SEPARATE Shim	94	-				