

Parts Manual

Cat.# 90-88178200

Revised 09-12-2020

TABLE OF CONTENTS

Cat.# 90-88178200

Miscellaneous Information	1
Wiring Harness	3
Alternator	5
Starter Motor	7
Electrical Components	9
Senders And Sensors	11
Fuel Filter	13
Distributor And Ignition Components	15
Fuel Pump And Fuel Cooler	19
Throttle Body And Flame Arrestor	21
Intake Manifold And Fuel Rails	23
Exhaust Manifold And Exhaust Elbow	25
Standard Cooling System	27
Closed Cooling System	31
Sea Water Pump Assembly	35
Cylinder Head And Rocker Cover	37
Cylinder Block And Camshaft	39
Crankshaft And Flywheel	41
Pistons And Connecting Rods	43
Water Pump And Front Cover	45
Oil Pan And Oil Pump	47
Bravo Shift Bracket	49
Power Steering Components	51
Remote Oil Filter	53
Engine Mounting	55
Exhaust System	57
Oil Reservoir Bottle And Bracket	59
Mercathode Components	61
Flywheel Housing	63

Miscellaneous Information

Miscellaneous Information

Ref #	Part Class	Part Number	Description	Comments	Qty	Note
-	0090	88178200	MX 6.2L MPI BRAVO ENGINE		1	[1]
-	0090	860168002	OWNERS MANUAL		1	[1]
-	0037	863170	DECAL MX 6.2L MPI		1	[1]
-	0037	862963	DECAL Spec. MCM 6.2		1	[1]

PART NOTES:

[1] - Part Is New And Listed For The First Time

Cat.# 90-88178200

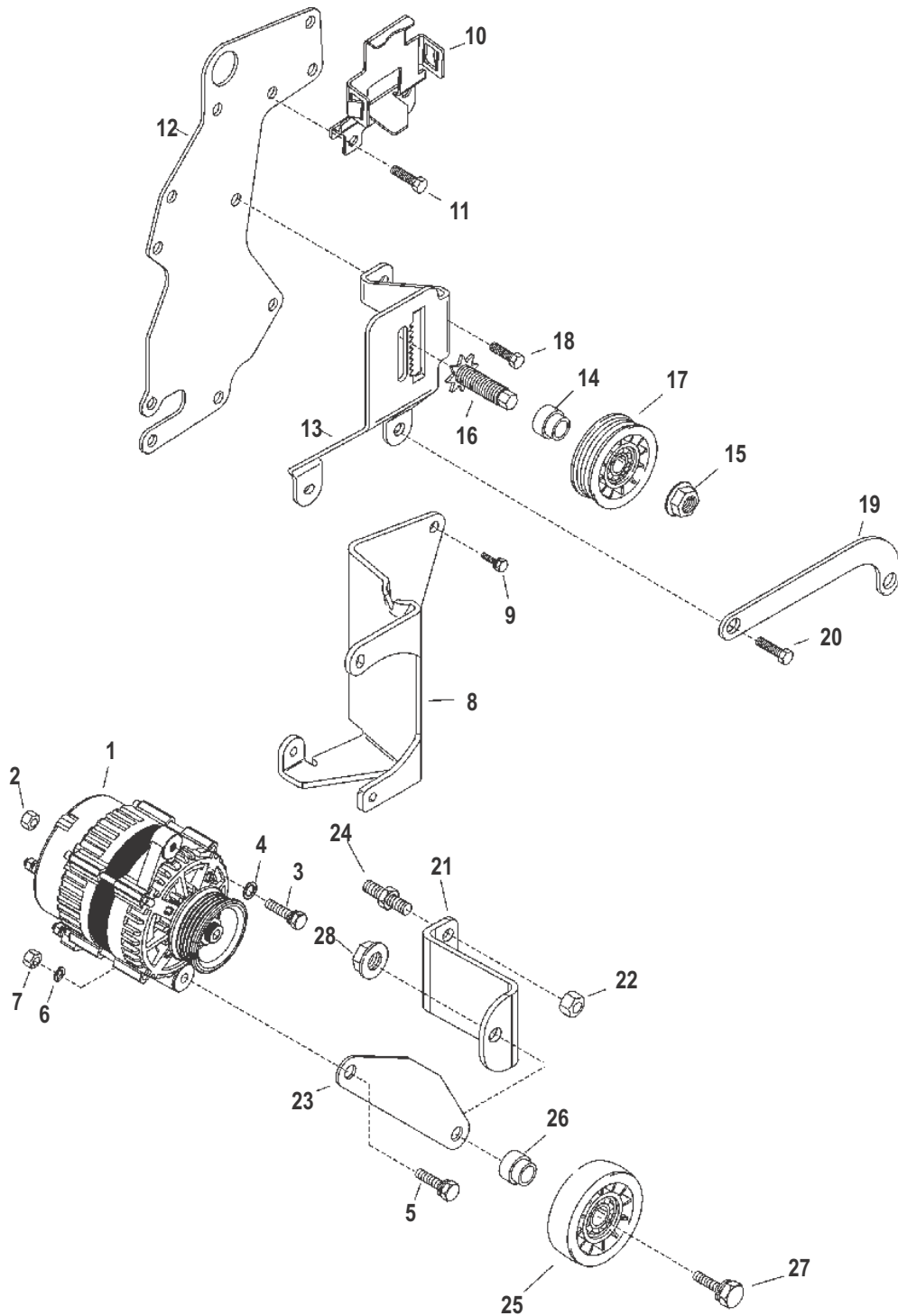
Wiring Harness

Cat.# 90-88178200

Wiring Harness

Ref #	Part Class	Part Number	Description	Comments	Qty	Note
NS	0084	862179T1	HARNESS ASSEMBLY Engine Main		1	
NS	0000	861159T1	HARNESS ASSEMBLY EFI		1	

Alternator



12788

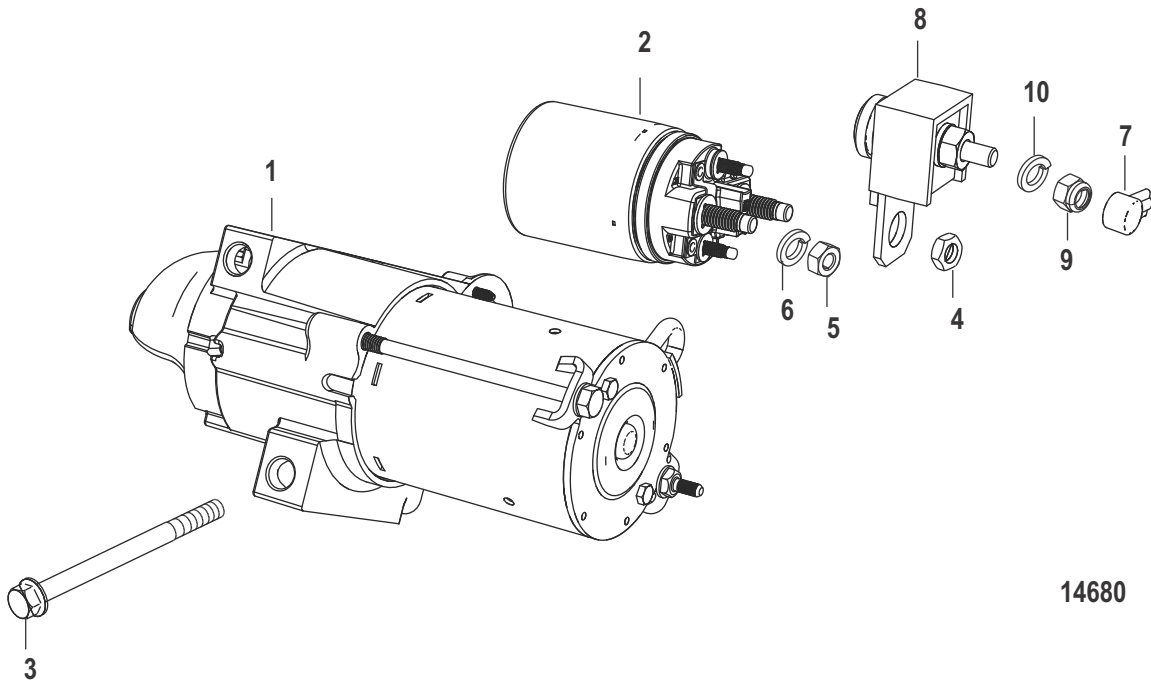
Alternator

Ref #	Part Class	Part Number	Description	Comments	Qty	Note
1	0000	862031T	ALTERNATOR ASSEMBLY	(Non-Serviceable - Replace Complete Assembly)	1	[1]
2	0011	400212	NUT (M6) Stainless Steel		1	
3	0010	40001134	SCREW (M8 x 25)		1	
4	0012	20084	WASHER (.328 x .562 x .062)		1	
5	0010	828213	SCREW (.312-18 x 1.500) Hex Flange		2	
6	0012	57792	WASHER		2	
7	0011	26484	NUT (.312-18)		2	
8	0000	862055T	BRACKET Alternator Mounting		1	
9	0010	98261	SCREW (.375-16 x .750)		3	
10	0000	860065A1	BRACKET KIT Oil Bottle		1	
11	0010	98261	SCREW (.375-16 x .750)		6	
12	0000	862056T	BRACKET		1	
13	0000	862083T	BRACKET Idler Adjustment		1	
14	0000	818380T	BUSHING		1	
15	0011	817618	NUT (.437-20)		1	
16	0043	8183812	PINION STUD (.437-20) Stainless Steel		1	
17	0000	807757T	PULLEY ASSEMBLY Idler - Black		1	
18	0010	34353	SCREW (.375-16 x 1.00)		2	
19	0000	862082T	BRACE Power Steering		1	
20	0010	40001188	SCREW (M10 x 20)		1	
21	0000	862084T	BRACKET Idler	(Bravo)	1	
22	0011	32219	NUT (.375-16)	(Bravo)	2	
23	0000	862085T	BRACE Idler Bracket	(Bravo)	1	
24	0016	860102	STUD (.375-16 x 1.730)	(Bravo)	2	
25	0000	818382	PULLEY	(Bravo)	1	
26	0000	818380T	BUSHING	(Bravo)	1	
27	0010	56393	SCREW (.437-20 x 1.75)	(Bravo)	1	
28	0011	817618	NUT (.437-20)	(Bravo)	1	

PART NOTES:

- [1] - Alternate part numbers:
862031R01Reman
862031TQS

Starter Motor



14680

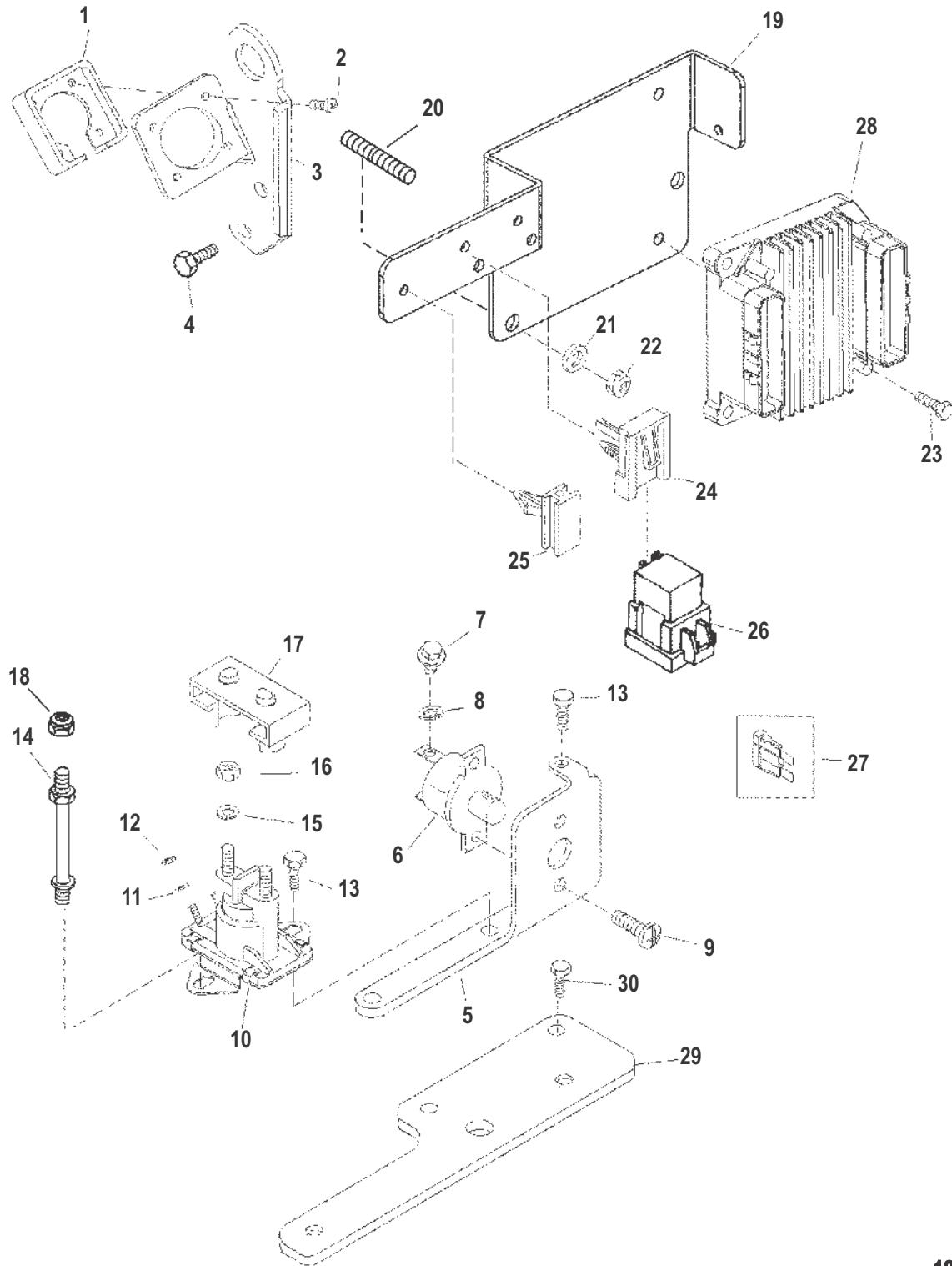
Starter Motor

Ref #	Part Class	Part Number	Description	Comments	Qty	Note
1	0050	863007A1	STARTER MOTOR ASSEMBLY		1	[1]
2	0000	809463A1	SOLENOID KIT Starter		1	
3	0010	8053432	SCREW (.375-16 x 4.33)		2	
4	0011	806949	NUT (M8-1.5)		1	
5	0011	400211	NUT (M5) Stainless Steel		1	
6	0013	26996	LOCKWASHER (#10) Stainless Steel		1	
7	0085	79695	BOOT Insulator - Black		1	
8	0088	79023A91	FUSE ASSEMBLY 90 Ampere		1	
9	0011	8267119	NUT (.250-28)		1	
10	0013	400247	LOCKWASHER (M8)		1	

PART NOTES:

- [1] - Alternate part numbers:
863007A 1QS
863007R01Reman

Electrical Components



12790

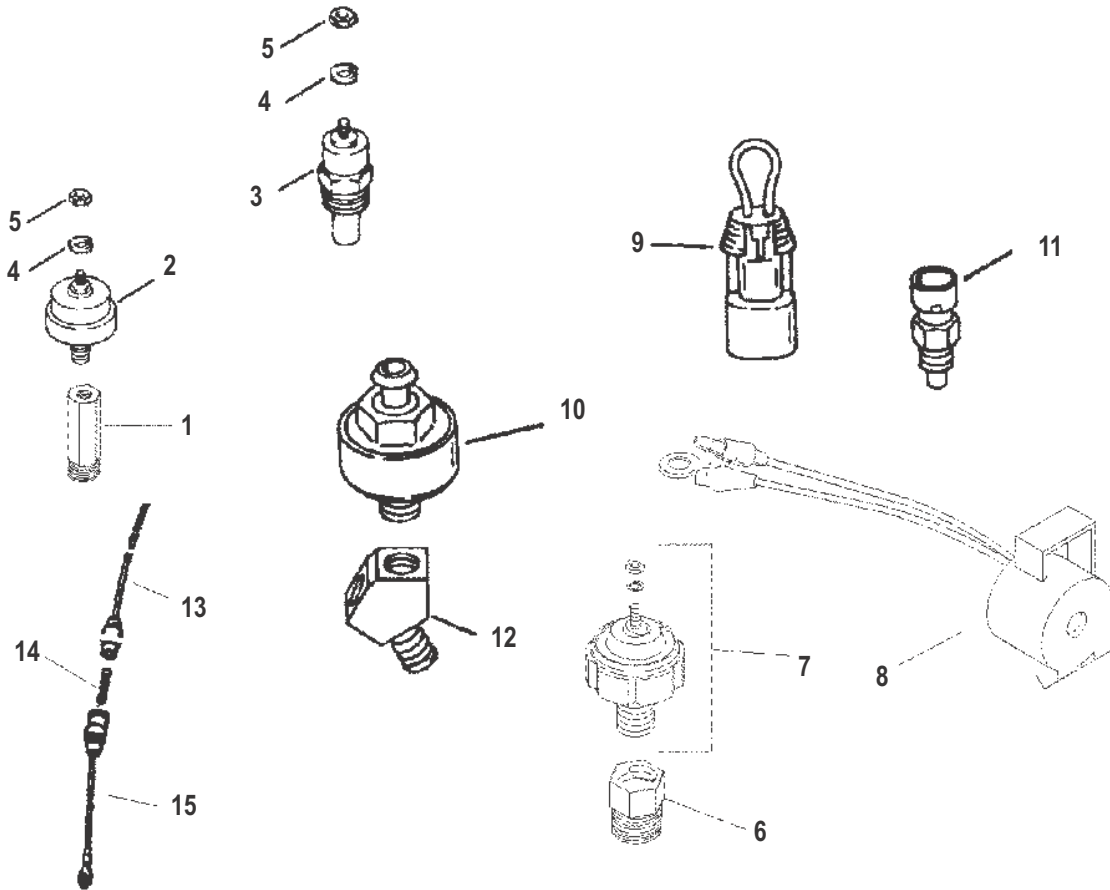
Electrical Components

Ref #	Part Class	Part Number	Description	Comments	Qty	Note
1	0000	26079A2	PLATE KIT Wire Harness Mount		1	
2	0010	15001	SCREW (#8-16 x .875)		4	
3	0000	807453T	BRACKET Harness Mounting/Lifting Eye		1	
4	0010	98261	SCREW (.375-16 x .750)		2	
5	0000	805368T	BRACKET Electrical		1	
6	0088	806950	BREAKER Circuit - 50 Ampere		1	
7	0010	68513	SCREW (#10-32 x .375) Stainless Steel		2	
8	0013	26996	LOCKWASHER (#10) Stainless Steel		2	
9	0010	57583	SCREW (#8-32 x .375)		2	
10	0089	96158T	SOLENOID		1	
11	0013	26995	LOCKWASHER (#8) Stainless Steel		2	
12	0011	26419	NUT (#8-32) Brass		2	
13	0010	805564	SCREW (.250-20 x .750)		2	
14	0016	805459	STUD Mercathode Mounting		1	
15	0013	26992	LOCKWASHER (.250) Stainless Steel		2	
16	0011	94330	NUT (.250-20) Brass		2	
17	0085	97861	INSULATOR		1	
18	0011	29488	NUT (#10-32) Lock		1	
19	0000	861714T	BRACKET ECU Mounting		1	
20	0010	24323	SET SCREW (.250-20 x 1.25)		1	
21	0012	35462	WASHER (.2656 x .625 x .0625) Stainless Steel		3	
22	0011	64015	NUT (.250-20)		3	
23	0010	28636	SCREW (.250-20 x .750)		3	
24	0054	804351	CLIP		2	[1]
25	0054	804352	CLIP		1	[1]
26	0000	807057T	RELAY		2	[1]
27	0088	804638	FUSE Red - 10 Ampere		2	[1]
27	0088	83296915	FUSE Mini - Blue - 15 Ampere		1	[1]
28	0000	862904T1	ECM Engine Control Module		1	[2]
29	0000	861881	BRACKET Electrical Mounting		1	
30	0010	73286	SCREW (.250-20 x .500) Stainless Steel		1	

PART NOTES:

- [1] - Component Of Main Engine Harness 862179T 1
 [2] - Part Is New And Listed For The First Time

Senders And Sensors

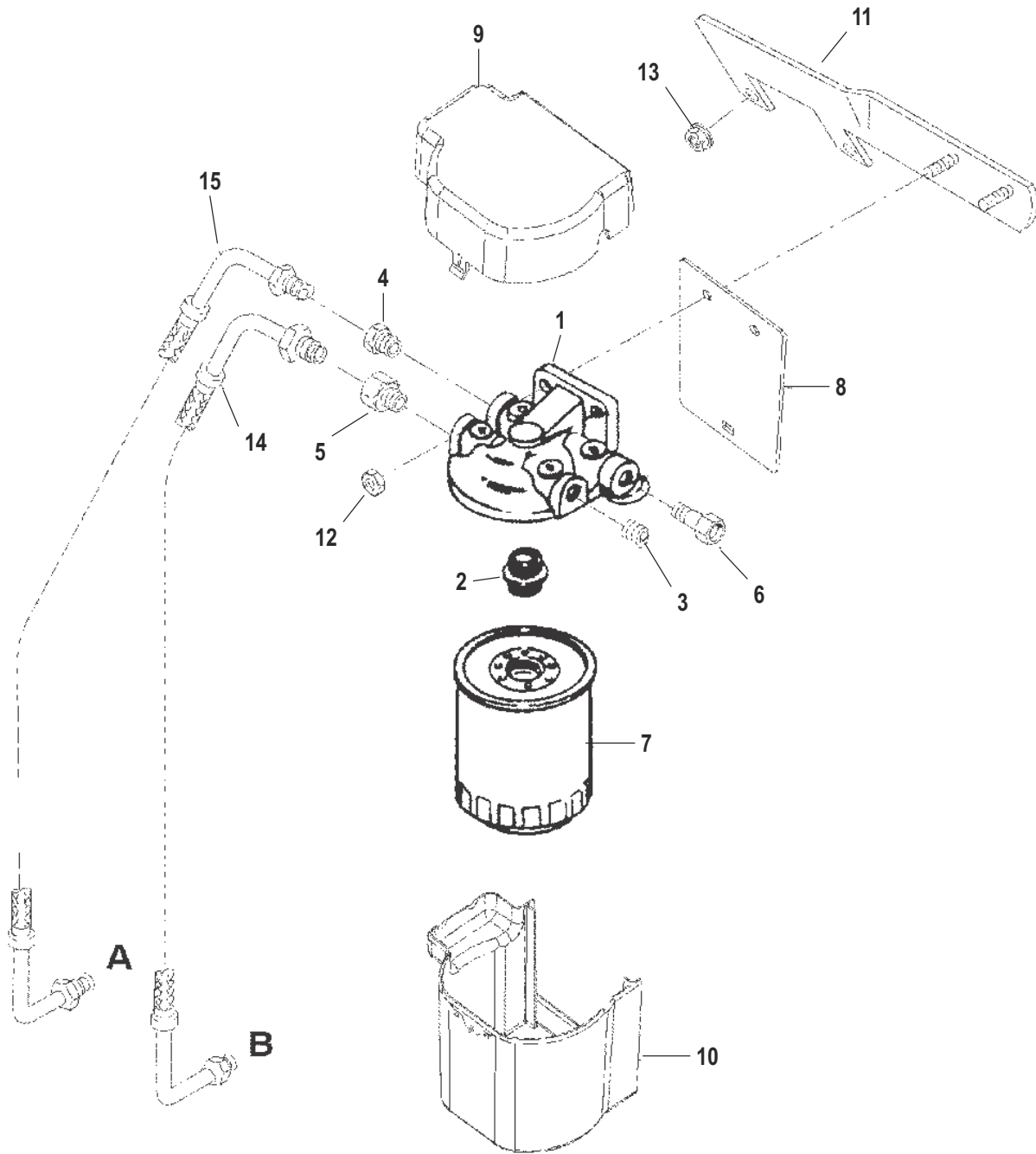


12791

Senders And Sensors

Ref #	Part Class	Part Number	Description	Comments	Qty	Note
1	0022	805059	FITTING		1	
2	0000	815425T	SENDER ASSEMBLY		1	
2	0000	37293T	SENDER ASSEMBLY Dual Station		OPT	
3	0000	97257A1	SENDER ASSEMBLY Water Temperature		1	
3	0000	49734	SENDER Dual Station		OPT	
4	0013	26996	LOCKWASHER (#10) Stainless Steel		2	
5	0011	68219	NUT (#10-32) Stainless Steel		2	
6	0022	32974	FITTING (.125-27) Adaptor		1	
7	0087	805605A1	SWITCH ASSEMBLY		1	
8	0000	816492A6	ALARM KIT		1	
9	0000	805592A1	CONNECTOR ASSEMBLY		1	
9	0000	830796A1	CONNECTOR ASSEMBLY		1	
10	0000	806612T	SENSOR Knock		1	
11	0000	805218T	SENSOR		1	
12	0022	8067051	FITTING Dual		1	
13	0084	95084A9	CABLE ASSEMBLY (91.00 Inches) Red/Purple Strip Male		1	
14	0088	79091	FUSE 20 Ampere		1	
15	0084	95084A10	CABLE ASSEMBLY (5.00 Inches) Red Female		1	

Fuel Filter



A = FROM FUEL PRESSURE REGULATOR
B = TO FUEL PUMP

12792

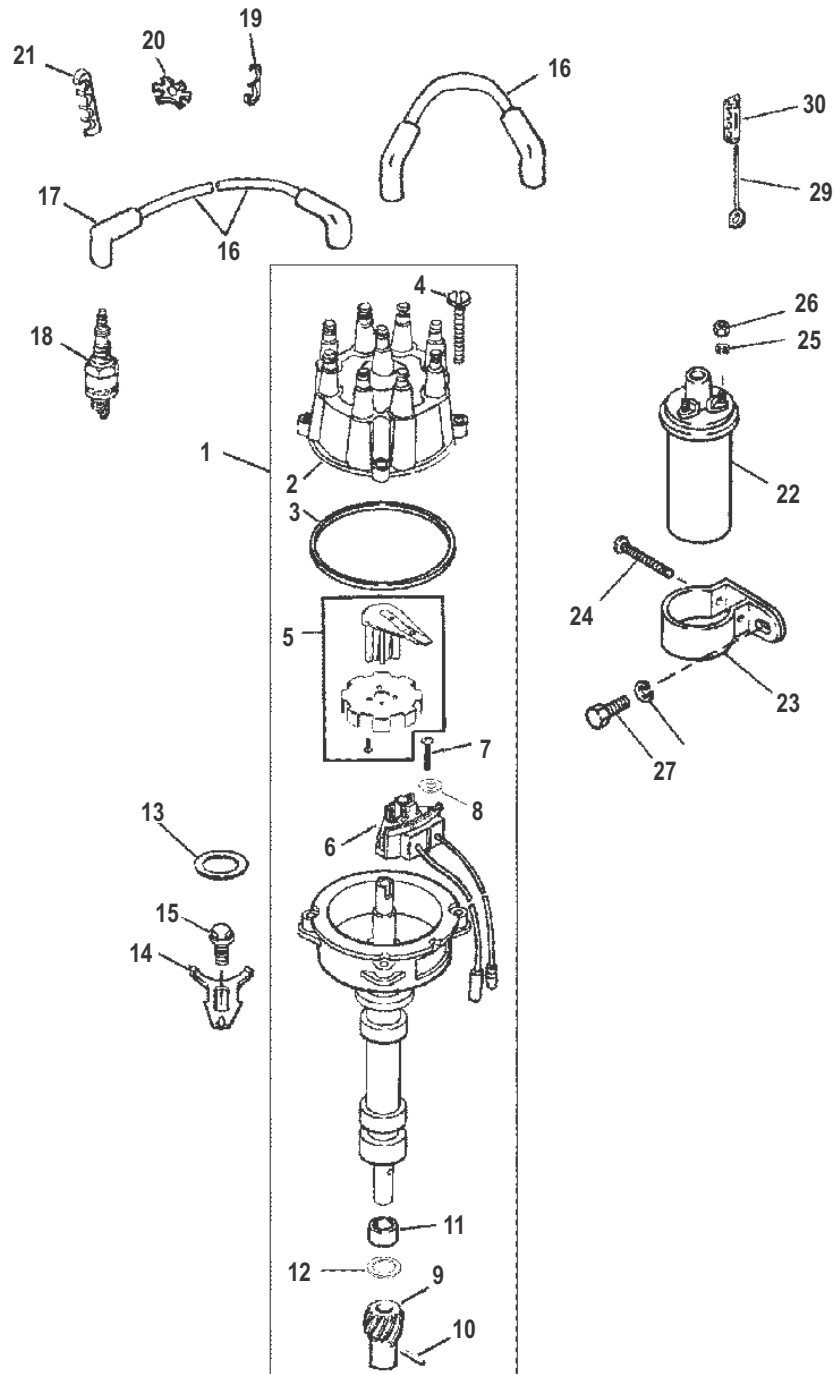
Fuel Filter

Ref #	Part Class	Part Number	Description	Comments	Qty	Note
1	0000	89876A3	BASE ASSEMBLY Fuel Filter/Water Seperator		1	
2	0022	816133	FITTING		1	
3	0022	32561	PLUG Pipe - Allen Head (.250-18)		1	
4	0022	33821	CONNECTOR		1	
5	0022	808003	CONNECTOR		1	
6	0022	807958	FITTING (1/4-18)		1	
7	0035	807172	FILTER Fuel/Water Separator		1	[1]
8	0000	807956T	INSULATOR Back		1	
9	0000	807806T	INSULATOR Cap Fuel Filter		1	
10	0000	807807T	INSULATOR Base		1	
11	0000	807918T	BRACKET Fuel Filter Base		1	
12	0011	82670911	NUT (.312-24) Stainless Steel		2	
13	0011	860069	NUT (.375-16)		2	
14	0032	807953	LINE ASSEMBLY Fuel	(Black Braided & Brass Connectors)	1	
15	0032	807954T	HOSE ASSEMBLY Fuel Regulator to Filter	(Black Braided & Brass Connectors)	1	

PART NOTES:

- [1] - Alternate part numbers:
 802893QQS
 802893TMPP
 807172Service Part

Distributor And Ignition Components



12793

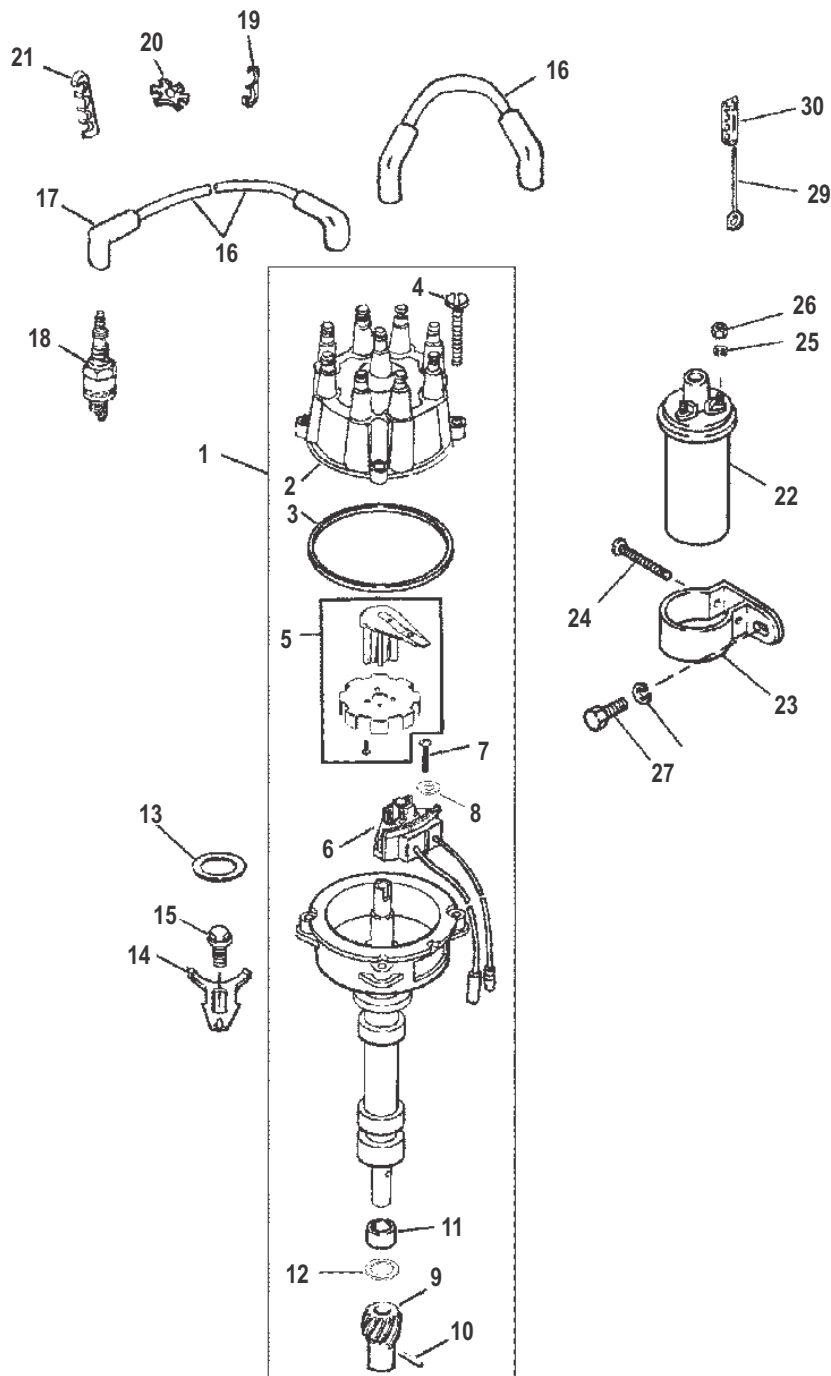
Distributor And Ignition Components

Ref #	Part Class	Part Number	Description	Comments	Qty	Note
1	0000	805185A36	DISTRIBUTOR ASSEMBLY		1	
2	0000	805759A5	CAP ASSEMBLY		1	[1]
3	0027	805760	GASKET		1	
4	0010	90926	SCREW (#10-32 x .810)		4	
5	0000	13524T1	WHEEL ASSEMBLY		1	[2]
6	0087	861780A2	SENSOR ASSEMBLY		1	[3]
7	0010	66686	SCREW (#10-32 x 1.00)		2	
8	0013	26996	LOCKWASHER (#10) Stainless Steel		2	
9	0043	818807	GEAR		1	
10	0017	47617	PIN		1	
11	0023	90915	BUSHING		2	
12	0012	90931	THRUST WASHER		1	
13	0027	344863	GASKET		1	[4]
14	0054	88731	CLAMP		1	[5]
15	0010	805559	SCREW (.375-16 x .875) Stainless Steel		1	
16	0084	816608A83	CABLE KIT Ignition Spark Plugs And Coil		1	[6]
17	0085	63709A1	BOOT/TERMINAL KIT		8	
18	0033	862029	SPARK PLUG		8	[5]
19	0000	54676	RETAINER Two Wire		2	
20	0000	32784	RETAINER Four Wire		2	
21	0000	32783	RETAINER Three Wire		2	
22	0392	805570A2	COIL KIT		1	
23	0000	65970T1	BRACKET		1	
24	0010	41408	SCREW (#10-32 x 1.50)		1	
25	0013	26996	LOCKWASHER (#10) Stainless Steel		2	
26	0011	68219	NUT (#10-32) Stainless Steel		2	
27	0010	98261	SCREW (.375-16 x .750)		1	
28	0012	20533	WASHER		1	
29	0016	90096A1	STUD ASSEMBLY (#10-32 x Special)		2	
30	0054	72821	RETAINER		2	
-	0027	75611A98	GASKET SET Engine Overhaul		1	

PART NOTES:

- [1] - Alternate part numbers:
805759A 5Service Part
805759Q 3QS Kit
805759T 3MPP Kit

Distributor And Ignition Components

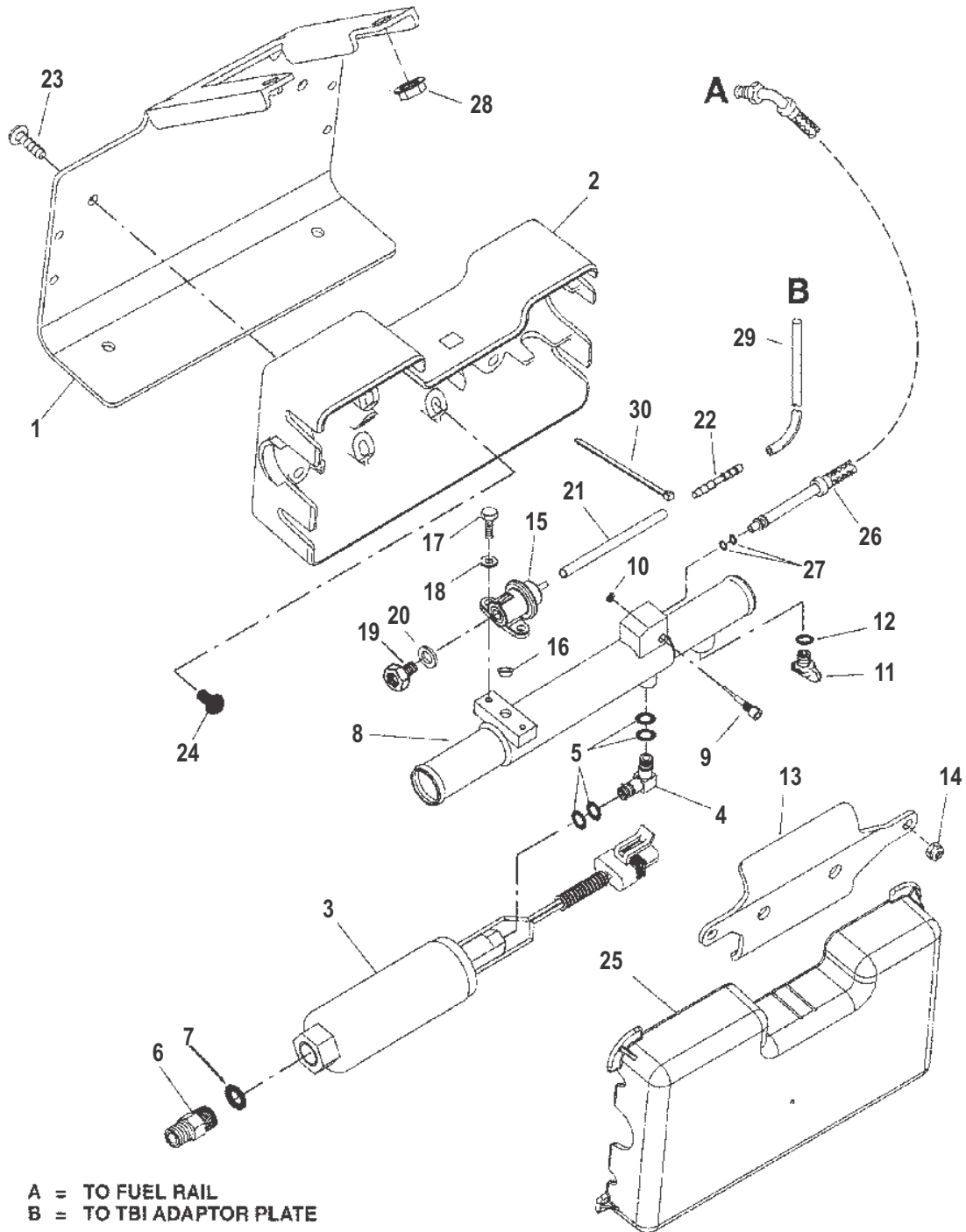


12793

Distributor And Ignition Components

- [2] - Alternate part numbers:
 - 13524T 1Service Part
 - 805759Q 3QS Kit
 - 805759T 3MPP Kit
- [3] - Alternate part numbers:
 - 861780A 2Service Part
 - 892150K02MPP
 - 892150Q02QS
- [4] - Component Of Engine/Powerhead Gasket Set 75611A98
- [5] - Part Is New And Listed For The First Time
- [6] - Alternate part numbers:
 - 816608A83Service Part
 - 816608K83MPP
 - 816608Q83QS

Fuel Pump And Fuel Cooler



A = TO FUEL RAIL
 B = TO TBI ADAPTOR PLATE

12794

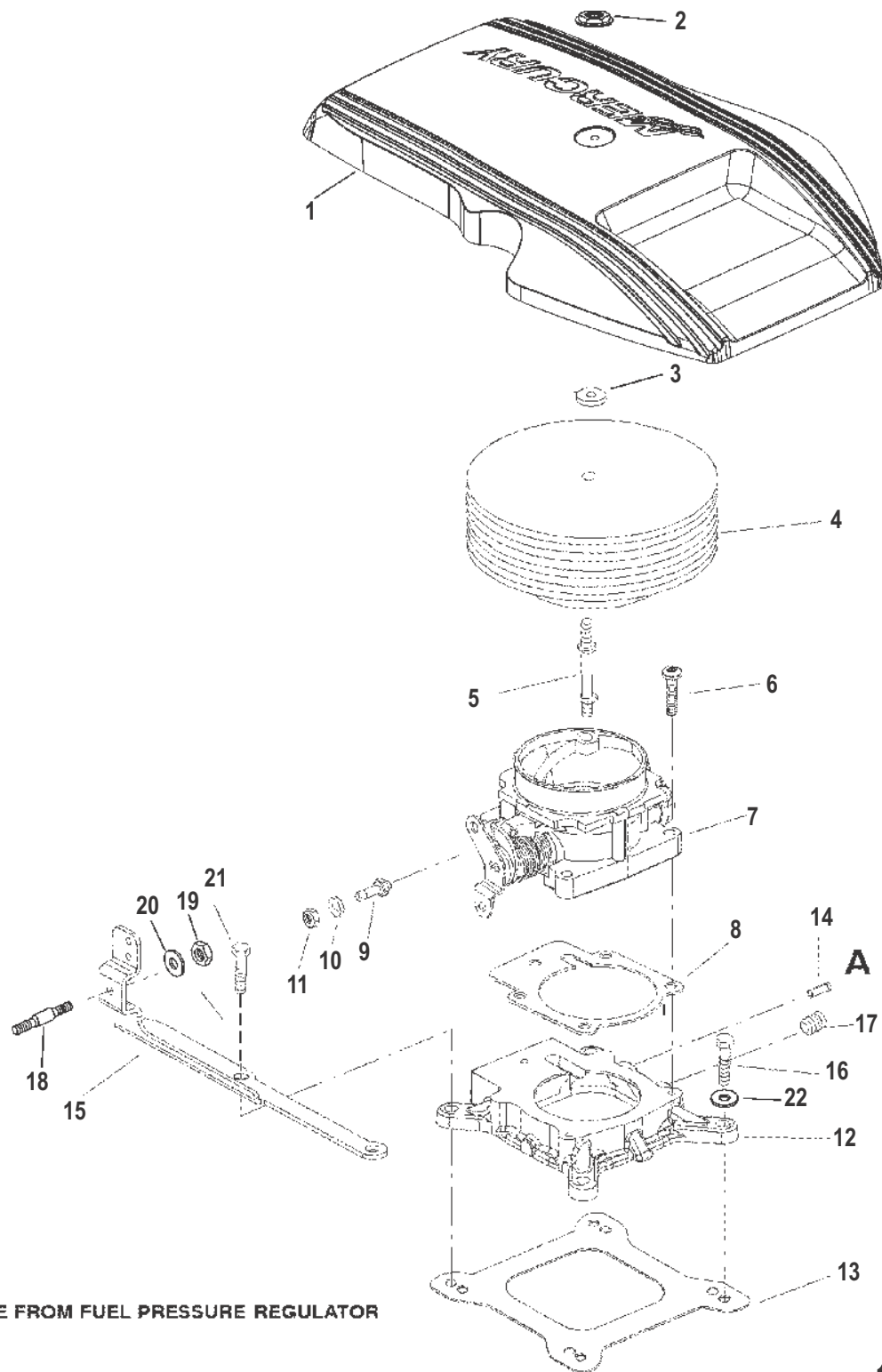
Fuel Pump And Fuel Cooler

Ref #	Part Class	Part Number	Description	Comments	Qty	Note
1	0000	807951T	BRACKET Fuel Cooler		1	
2	0000	807685T	INSULATOR		1	
3	0000	861156A1	PUMP ASSEMBLY		1	
4	0022	807783A1	FITTING ASSEMBLY 90 Degree		1	
5	0025	805063	O-RING (.301 x .070)		4	[1]
6	0022	808001A1	FITTING ASSEMBLY		1	
7	0025	805062	O-RING (.530 x .082)		1	[1]
8	0000	861267A1	COOLER KIT Fuel		1	
9	0010	861303	SCREW (.250-28) Special		1	
10	0053	861414	RING Retaining		1	
11	0022	806608A1	PLUG KIT (.500-13) Royal Blue		1	[2]
12	0025	32509	O-RING (.489 x .070)		1	[1]
13	0000	807979T	BRACKET		1	
14	0011	29598	NUT (.250-28) Stainless Steel		2	
15	0000	807952A1	REGULATOR KIT Fuel Pressure		1	
16	0035	805406	FILTER		1	
17	0010	852368	SCREW (#10-24 x .750)		2	
18	0012	89302	WASHER (.203 x .406 x .040)		2	
19	0022	808002A1	FITTING KIT		1	
20	0012	36533	WASHER (.328 x .562 x .0312) Copper		1	
21	0032	80617379	HOSE (52.00 Inches Bulk)		1	
22	0022	860273	CONNECTOR		1	
23	0010	808005	SCREW (.250-20 x .500)		4	
24	0000	269011	BUMPER Rubber		8	
25	0000	807930	INSULATOR		1	
26	0032	861565A2	LINE ASSEMBLY Fuel Cooler To Fuel Rail		1	
27	0025	805063	O-RING (.301 x .070) Design I	Dual-Grooved Fuel Line	2	[1]
27	0026	863151	SEAL Quad Ring Design II	Single-Grooved Fuel Line	1	
28	0011	860069	NUT (.375-16)		2	
29	0032	80617379	HOSE (52.00 Inches Bulk)		1	
30	0054	816311T	TIE STRAP (8.00 Inches)		AR	
-	0027	75611A98	GASKET SET Engine Overhaul		1	

PART NOTES:

- [1] - Component Of Engine/Powerhead Gasket Set 75611A98
- [2] - Alternate part numbers:
806608A 1Service Part
806608Q01QS

Throttle Body And Flame Arrestor



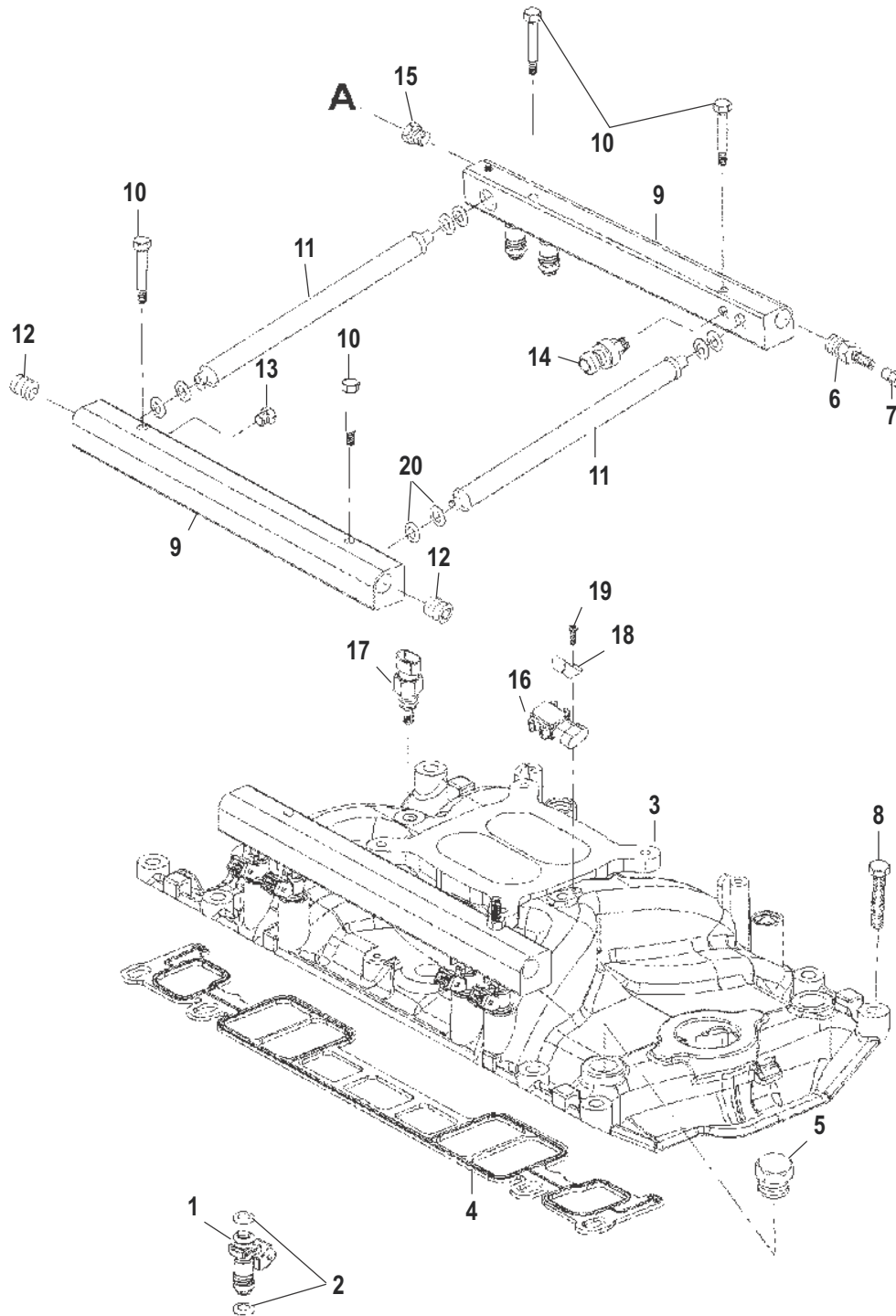
Throttle Body And Flame Arrestor

Ref #	Part Class	Part Number	Description	Comments	Qty	Note
1	0000	862964	COVER		1	[1]
2	0011	861813	FASTENER		1	
3	0012	86400	WASHER		1	
4	0000	861443T	FLAME ARRESTOR		1	
5	0016	805295	STUD (.250-20/.250-28 x Special)		1	
6	0010	807054	SCREW (.250-20 x 1.00)		4	
7	0000	861442A1	THROTTLE BODY ASSEMBLY (90MM)		1	
8	0027	861449	GASKET		1	[2]
NS	0010	803150	SCREW		2	
NS	0026	803152	SEAL TPS		1	
NS	0000	803148	SENSOR		1	
NS	0000	803149	VALVE IAC		1	
NS	0010	803151	SCREW IAC		2	
9	0016	807133	STUD (.250 x 1.750)		1	
10	0012	20533	WASHER		1	
11	0011	35045	NUT (.250-28)		1	
12	0000	863210	PLATE TBI Adaptor (90MM)		1	[1]
13	0027	41610	GASKET		1	[2]
14	0022	805598	FITTING (.1875) Barb		1	
15	0000	861388	BRACKET Throttle Cable		1	
16	0010	860132	SCREW (.312-18 x 1.250)		2	
17	0022	73379	PLUG (.250-18) Socket Head		1	
18	0016	818192	STUD		1	
19	0011	8267139	NUT (.250-28)		1	
20	0012	24664	WASHER (M4 x 20)		1	
21	0010	74824	SCREW (.312-18 x 1.250)		2	
22	0012	20084	WASHER (.328 x .562 x .062)		2	
-	0027	75611A98	GASKET SET Engine Overhaul		1	

PART NOTES:

- [1] - Part Is New And Listed For The First Time
 [2] - Component Of Engine/Powerhead Gasket Set 75611A98

Intake Manifold And Fuel Rails



12796

A = FUEL LINE FROM FUEL PUMP

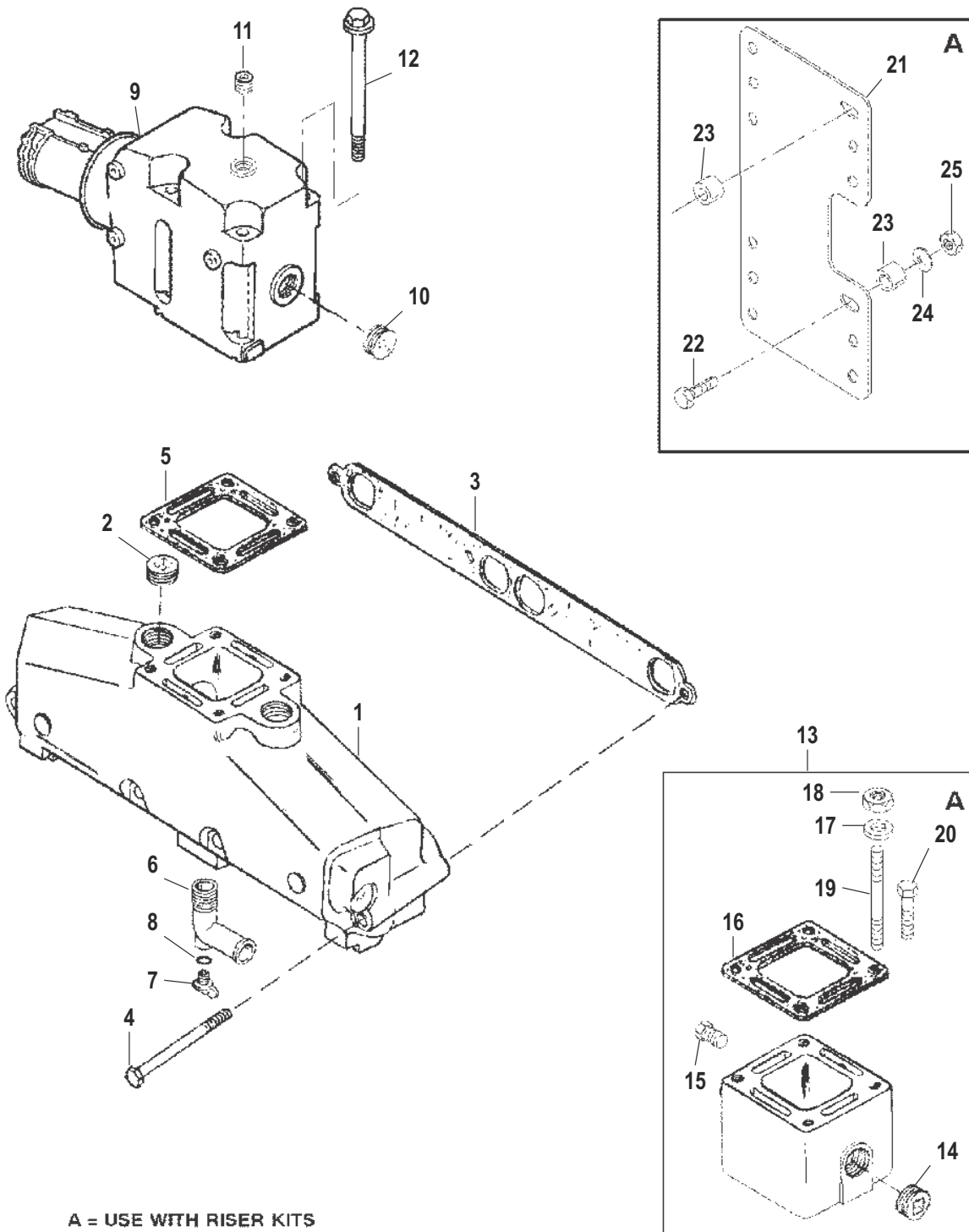
Intake Manifold And Fuel Rails

Ref #	Part Class	Part Number	Description	Comments	Qty	Note
1	0000	861260T	INJECTOR Fuel		8	
2	0025	851889	O-RING		16	[1]
3	0000	860373A4	MANIFOLD ASSEMBLY Intake		1	
4	0027	807473A1	GASKET SET		1	[1]
5	0022	37372	PLUG Pipe (.500)		2	
6	0022	805408	VALVE Rail Pressure Service		1	
7	0022	805515	CAP Shrader Valve - Brass		1	
8	0010	808010	SCREW (.312-18 x 1.375)		8	
9	0000	861804T1	FUEL RAIL		2	
10	0010	86885	SCREW (.250-20 x 1.500) Stainless Steel		4	
11	0000	861805	TUBE Fuel Cross Over		2	
12	0022	73379	PLUG (.250-18) Hex Socket Head		2	
13	0022	328022	PLUG Pipe (.125-27) Brass Hex Head		1	
14	0000	807399T	SENSOR Fuel Pressure		1	
15	0022	33821	CONNECTOR		1	
16	0000	861249A1	SENSOR ASSEMBLY Manifold Air Pressure		1	
17	0000	805223T	SENSOR		1	
18	0000	861198	CLIP		1	
19	0010	806826	SCREW (#8-32 x .250)		1	
20	0025	862053	O-RING		8	
-	0027	75611A98	GASKET SET Engine Overhaul		1	

PART NOTES:

[1] - Component Of Engine/Powerhead Gasket Set 75611A98

Exhaust Manifold And Exhaust Elbow



12797

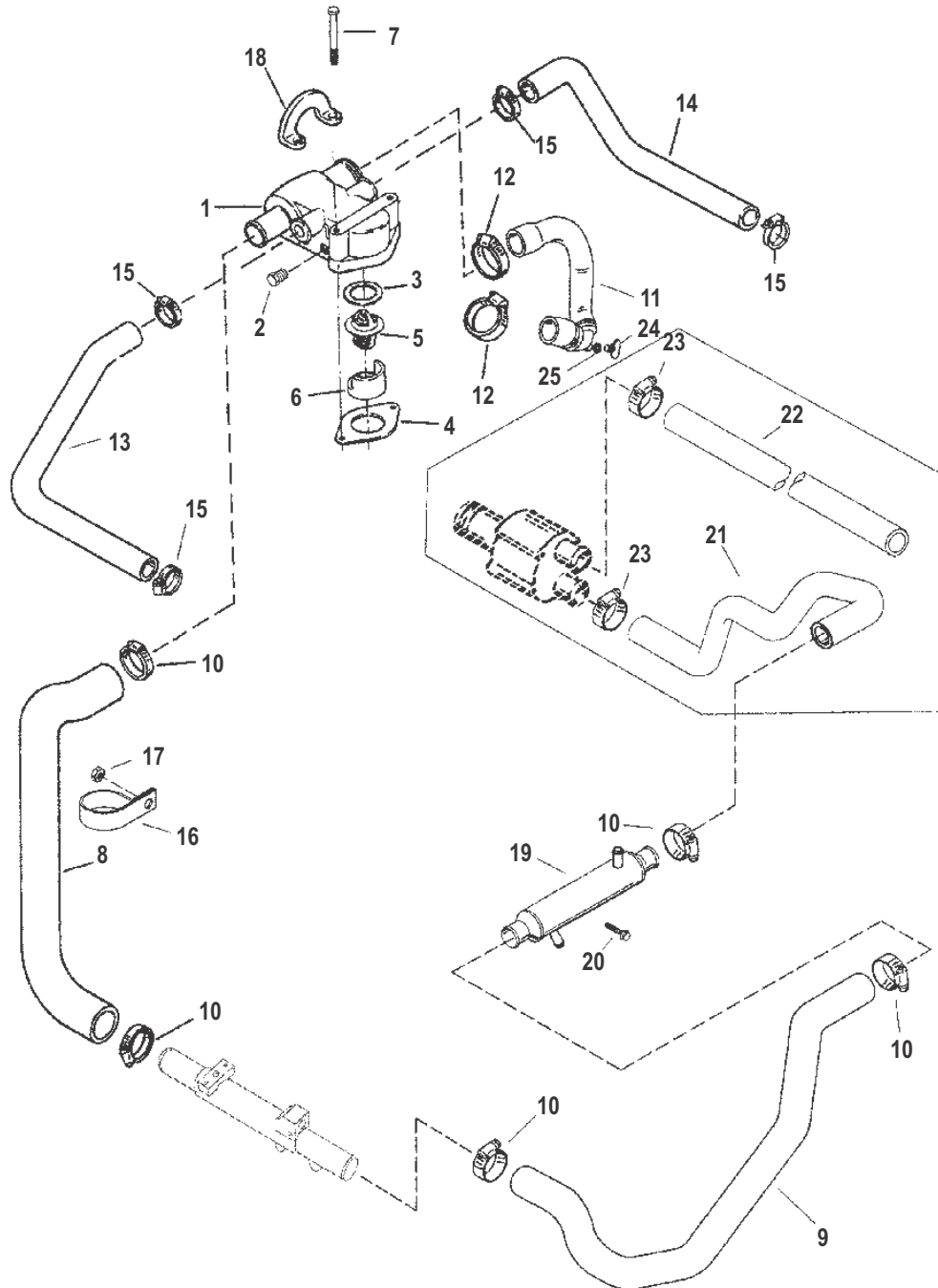
Exhaust Manifold And Exhaust Elbow

Ref #	Part Class	Part Number	Description	Comments	Qty	Note
1	0000	860246A10	MANIFOLD ASSEMBLY Exhaust		2	
2	0022	861187	PLUG (.750-14) Pipe		8	
3	0027	33395	GASKET		2	[1]
4	0010	53728	SCREW (.375-16 x 4.75)		8	
5	0027	860232	GASKET		2	
6	0022	806926A1	ELBOW KIT Drain		2	
7	0022	806608A1	PLUG KIT (.500-13) Royal Blue		2	[2]
8	0025	32509	O-RING (.489 x .070)		2	[1]
9	0000	807988A2	ELBOW ASSEMBLY Exhaust		1	
10	0022	41622	PLUG (.750-14) Pipe (3/4-14)		2	
11	0022	73379	PLUG (.250-18)		2	
12	0010	43749	SCREW (.375-16 x 5.750)		8	
12	0010	43749	SCREW (.375-16 x 5.750)	(Swiss Emissions) (BSO1 And SAV1)	4	
12	0010	843504	SCREW (.380-16 x 1.500) Stainless Steel		4	
13	0000	93320A5	RISER KIT Exhaust (3 Inches) (3)	(Each Kit Contains Two Risers)	1	
13	0000	93322A7	RISER KIT Exhaust (6 Inches) (6)	(Each Kit Contains Two Risers)	1	
14	0022	861187	PLUG (.750-14) Pipe		2	
15	0022	328022	PLUG Pipe (.125-27) Brass		2	
16	0027	860232	GASKET		2	
17	0012	46132	WASHER	(Use With Three Inch Riser)	4/8	
18	0011	46335	NUT (.375-24)	(Use With Three Inch Riser)	4/8	
19	0016	11375	STUD (.375 x 9.56)	(Use With Three Inch Riser)	4/8	
20	0010	14315	SCREW (.375-16 x 4.25)	(Swiss Emissions) (BSO1 And SAV1) (Use With Three Inch Riser)	4	
20	0010	12244	SCREW (.375-16 x 1.00)	(Use With Six Inch Riser)	8	
21	0000	818598T	BRACKET	(Use With Six Inch Riser)	1	
22	0010	76596	SCREW (.250-20 x 1.250)	(Use With Six Inch Riser)	3	
23	0023	806981	SPACER	(Use With Six Inch Riser)	6	
24	0012	35462	WASHER (.2656 x .625 x .0625) Stainless Steel	(Use With Six Inch Riser)	3	
25	0011	64015	NUT (.250-20)	(Use With Six Inch Riser)	3	
NS	0010	24323	SET SCREW (.250-20 x 1.25)		3	
-	0027	75611A98	GASKET SET Engine Overhaul		1	

PART NOTES:

- [1] - Component Of Engine/Powerhead Gasket Set 75611A98
 [2] - Alternate part numbers:
 806608A 1Service Part
 806608Q01QS

Standard Cooling System



12798

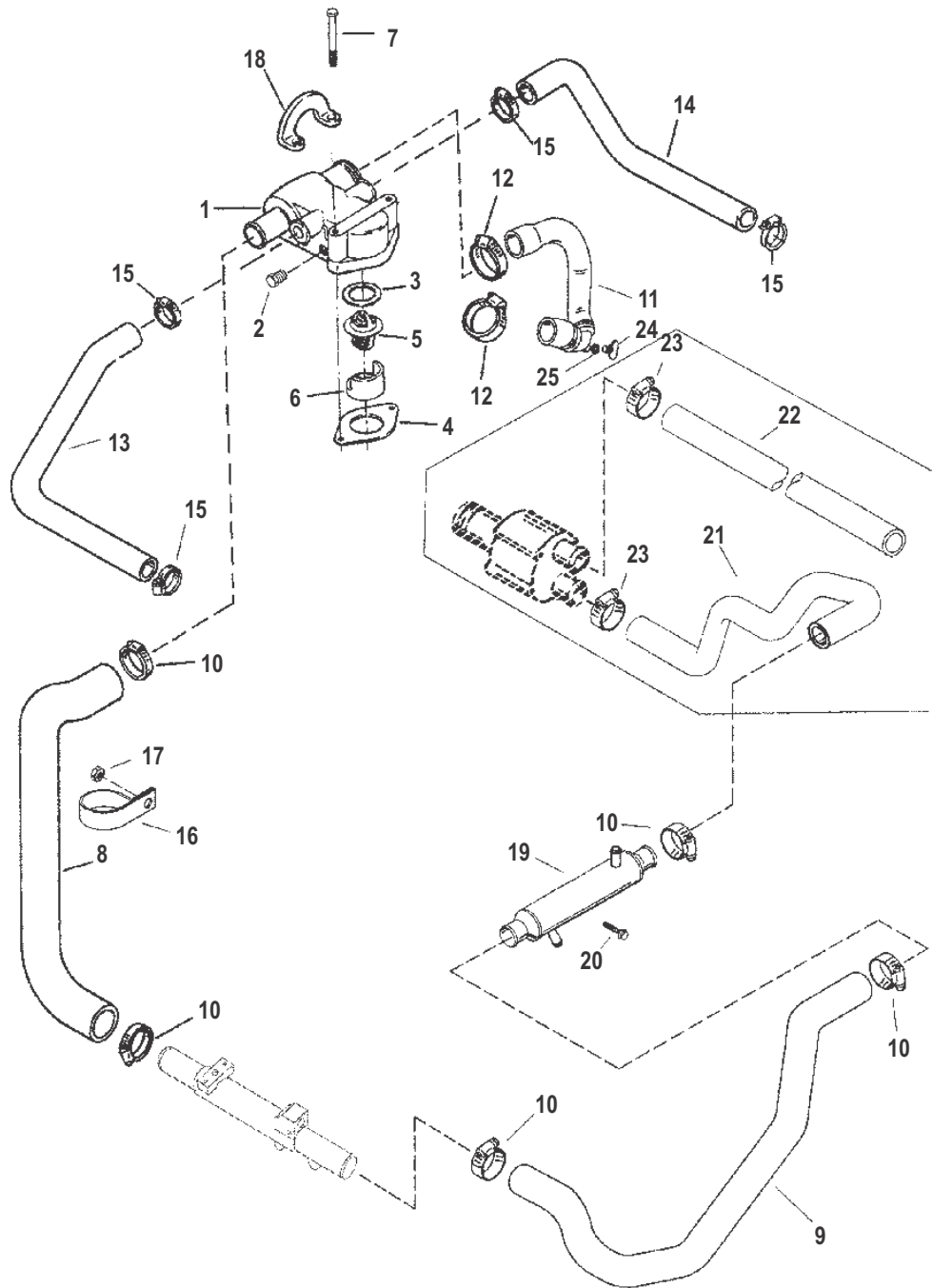
Standard Cooling System

Ref #	Part Class	Part Number	Description	Comments	Qty	Note
1	0000	860256A4	HOUSING ASSEMBLY Thermostat	(Bravo)	1	
2	0022	32803	PLUG Pipe (.375-18) Brass		2	
3	0027	806871	GASKET		1	[1]
4	0027	530451	GASKET		1	[2]
5	0000	807252T2	THERMOSTAT 71DegreeC (160 Degree F)		1	[3]
6	0023	806922	SLEEVE		1	
7	0010	98508	SCREW (.375-16 x 3.00)		2	
8	0032	808033	HOSE Molded		1	
9	0032	8600891	HOSE Molded		1	
10	0054	815504222	CLAMP Worm Gear (1.98 Dlameter)		5	
11	0032	861590A05	HOSE ASSEMBLY With Drain		1	
11	0032	87108	HOSE Molded Without Drain		1	
12	0054	815504232	CLAMP Worm Gear (2.50 Diameter)		2	
13	0032	860144	HOSE Thermostat Housing To Port Exhaust Manifold		1	
14	0032	807697	HOSE Thermostat Housing to Starboard Manifold		1	
15	0054	815504220	CLAMP Worm Gear		4	
16	0054	47715	CLIP		1	
17	0011	29250	NUT (.312-24)		1	
18	0000	12552	LIFTING EYE		1	
19	0000	861554T	COOLER		1	
20	0010	816585	SCREW (.312-18 x .875)	Metal Cooler	1	
20	0010	8M2016106	SCREW (.312 x 1.25)	Composite Cooler (Included with 861554T02)	1	
21	0032	8080441	HOSE Molded	(Bravo Engines)	1	
22	0032	1743579	HOSE (96.00 Inches Bulk)	(Bravo Engines)	1	
23	0054	815504222	CLAMP Worm Gear (1.98 Dlameter)	(Bravo Engines)	2	
24	0022	806608A1	PLUG KIT (.500-13) Royal Blue		1	[4]
25	0025	32509	O-RING (.489 x .070)		1	
NS	0019	8079923	COVER Hose Clamp End		AR	
-	0027	75611A98	GASKET SET Engine Overhaul		1	

PART NOTES:

- [1] - Component Of Engine/Powerhead Gasket Set 75611A98
- [2] - Alternate part numbers:
 53045 1Service Part
 53045Q01QS
 Component Of Engine/Powerhead Gasket Set 75611A98
- [3] - Alternate part numbers:
 807252Q 5QS Kit
 807252T 2Service Part
 807252T 5MPP Kit

Standard Cooling System

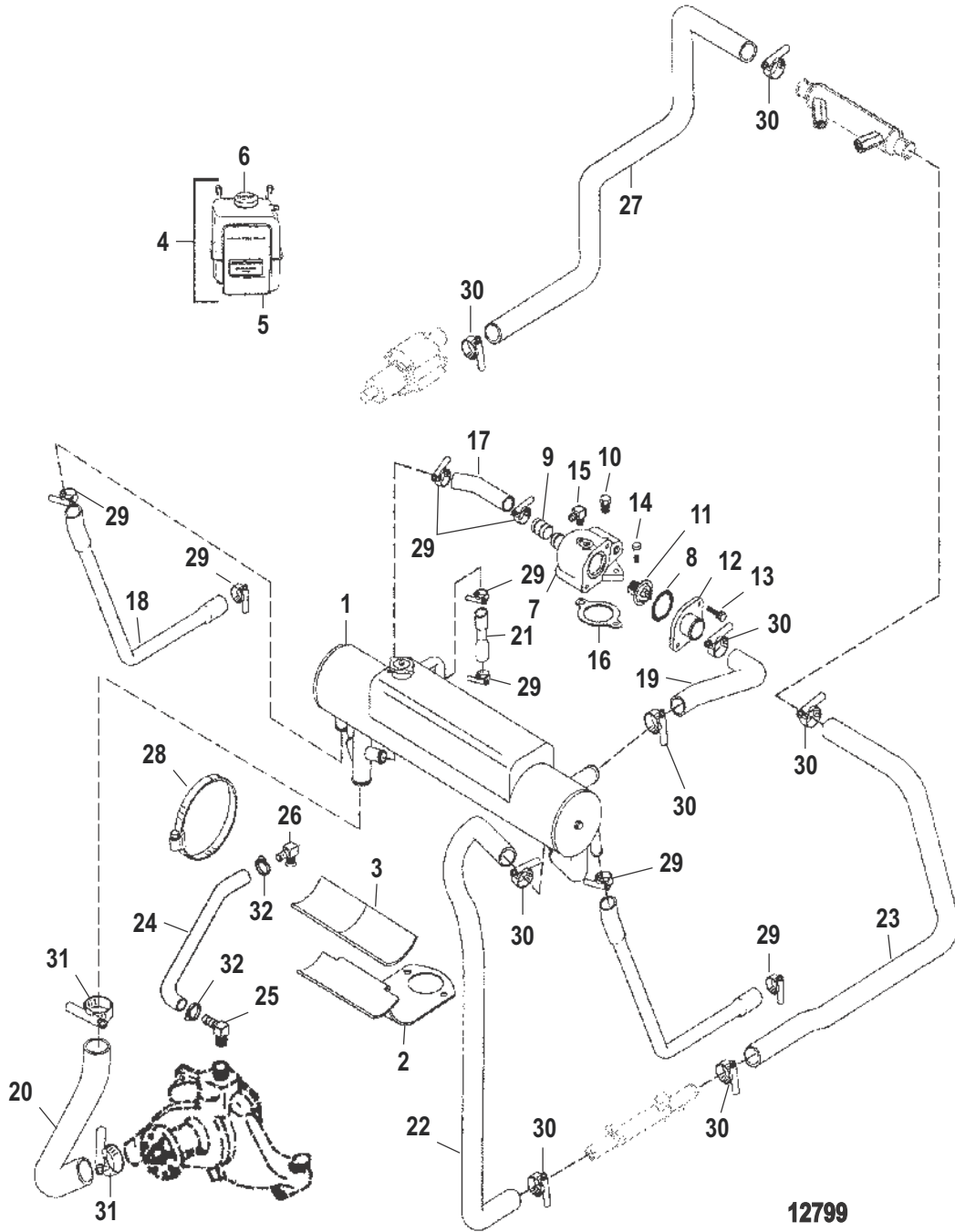


12798

Standard Cooling System

- [4] - Alternate part numbers:
806608A 1Service Part
806608Q01QS

Closed Cooling System

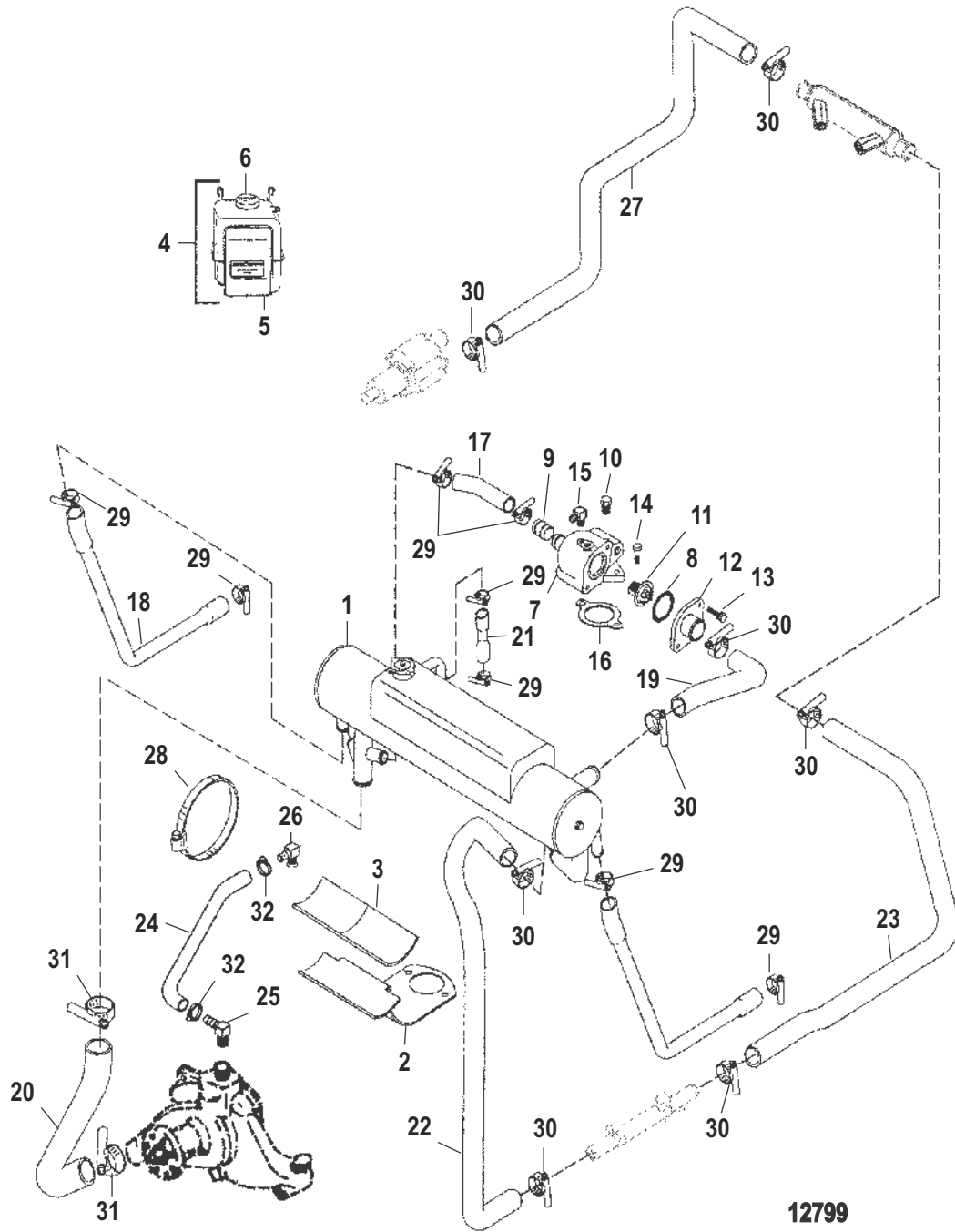


Closed Cooling System

Ref #	Part Class	Part Number	Description	Comments	Qty	Note
1	0000	860234A1	HEAT EXCHANGER		1	
NS	0000	814875	COVER Heat Exchanger End		2	
NS	0027	803644	GASKET		2	
NS	0010	814877	BOLT		2	
NS	0025	814878	O-RING Special		2	
NS	0036	8148791	CAP		1	
2	0000	860326A1	BRACKET ASSEMBLY Heat Exchanger		1	
3	0000	18431	PAD		2	
4	0000	71587A10	RECOVERY KIT Coolant		1	
NS	0032	774572	HOSE (48.00 Inches Bulk)		1	
5	0000	71587A11	BOTTLE Plastic		1	
6	0000	72058	CAP		1	
7	0000	861188A1	HOUSING ASSEMBLY Thermostat		1	
8	0025	8071341	SEAL		1	[1]
9	0023	52020	SLEEVE Hose		1	
10	0022	32803	PLUG Pipe (.375-18) Brass		1	
11	0000	991551	THERMOSTAT		1	[2]
12	0000	807075A1	COVER		1	
13	0010	29198	SCREW AND LOCKWASHER (.312-18 x .875)		2	
14	0010	58640	SCREW (.375-16 x 1.25)		2	
15	0022	328022	PLUG Pipe (.125-27) Brass		1	
16	0027	530451	GASKET		1	[3]
17	0032	860331	HOSE Thermostat By-Pass		1	
18	0032	862125	HOSE Heat Exchanger To Exhaust Manifold	(Port)	1	
18	0032	860421	HOSE Heat Exchanger To Exhaust Manifold	(Starboard)	1	
19	0032	860419	HOSE Thermostat Housing To Heat Exchanger		1	
20	0032	861059	HOSE		1	
21	0032	4285069	HOSE (44.00 Inches Bulk)		1	
22	0032	860332	HOSE		1	
23	0032	808045	HOSE Fuel Cooler to Transmission Oil Cooler		1	
24	0032	860482	HOSE Water Pump To Intake Manifold		1	
25	0022	860346	FITTING Elbow (90 Degree) (.750)		1	
26	0022	808042	FITTING Elbow (90 Degrees) (.50 NPT x .75 Bars)		1	
27	0032	8080441	HOSE Molded		1	
28	0054	815504388	CLAMP Worm Gear		2	
29	0054	815504220	CLAMP Worm Gear		12	
30	0054	815504222	CLAMP Worm Gear (1.98 Diameter)		2	
31	0054	815504232	CLAMP Worm Gear (2.50 Diameter)		2	
32	0054	815504212	CLAMP Worm Gear		2	
NS	0019	8079923	COVER Hose Clamp End		AR	

Closed Cooling System

Closed Cooling System



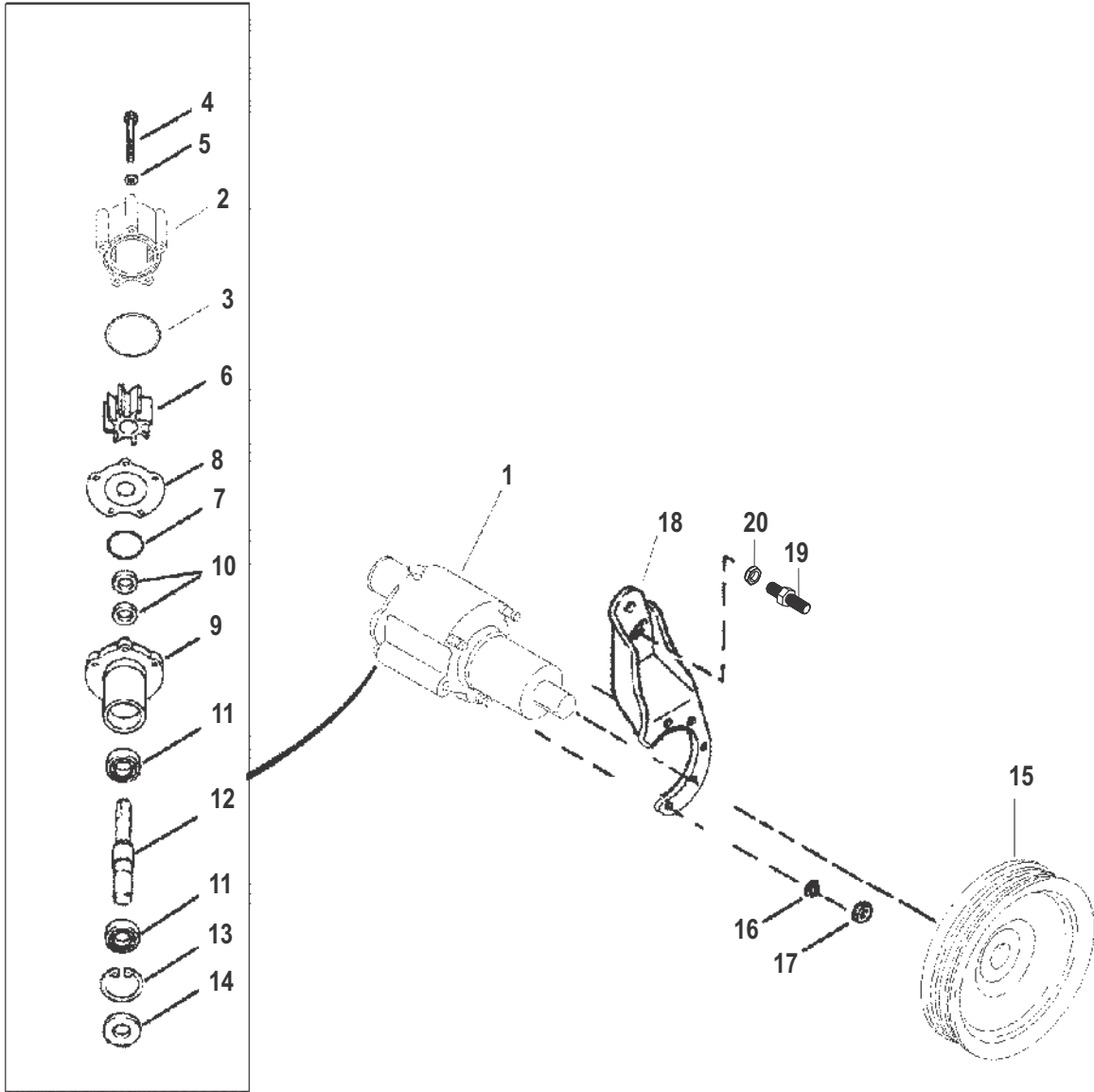
Closed Cooling System

Ref #	Part Class	Part Number	Description	Comments	Qty	Note
-	0027	75611A98	GASKET SET Engine Overhaul		1	

PART NOTES:

- [1] - Component Of Engine/Powerhead Gasket Set 75611A98
- [2] - Alternate part numbers:
99155 1Service Part
99155T 1Kit
- [3] - Alternate part numbers:
53045 1Service Part
53045Q01QS
Component Of Engine/Powerhead Gasket Set 75611A98

Sea Water Pump Assembly



12800

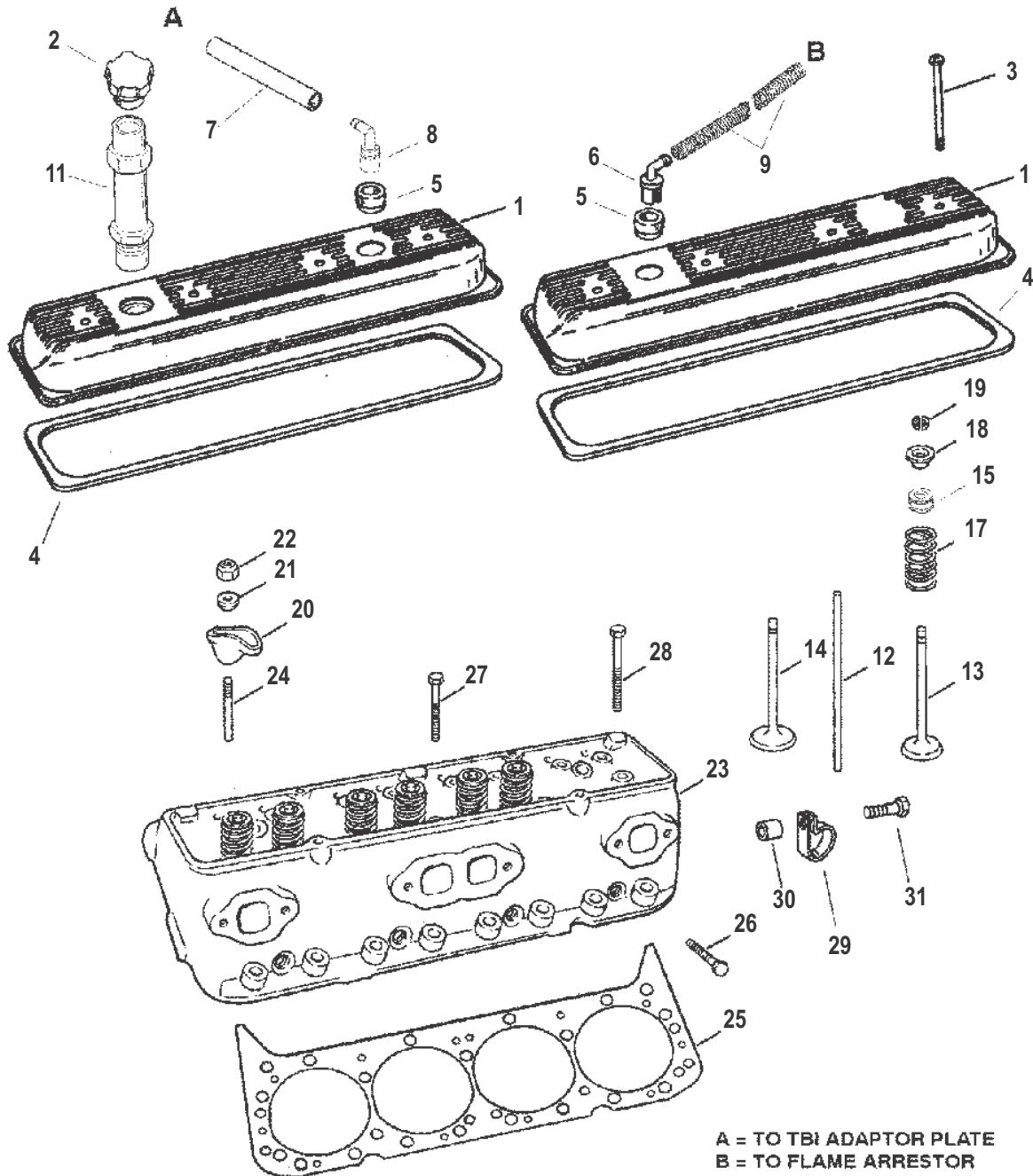
Sea Water Pump Assembly

Ref #	Part Class	Part Number	Description	Comments	Qty	Note
1	0046	807151A9	PUMP ASSEMBLY Sea Water Complete		1	
2	0046	807151A14	BODY/IMPELLER KIT		1	
3	0025	33465	O-RING		1	
4	0010	807356	SCREW (.312-18 x 2.680) (.312-18 X .625)		2	
4	0010	74191	SCREW (.312-18 x 3.250)		3	
5	0012	814806	WASHER (.344 x .688 x .065) Stainless Steel		5	
6	0047	59362T1	IMPELLER		1	[1]
7	0025	94288	QUAD RING		1	
8	0000	94576	WEAR PLATE		1	
9	0046	94913A5	HOUSING ASSEMBLY Pump	(Includes Reference 6)	1	
10	0026	90562	SEAL (1.254 x .312)		2	
11	0030	72961	BEARING Ball		2	
12	0000	59501A1	SHAFT		1	
13	0053	23720	RING Retaining		1	
14	0026	72785	SEAL		1	
15	0000	861579	PULLEY		1	
16	0013	400247	LOCKWASHER (M8)		3	
17	0011	21908	NUT (.312-18) Cad Plated		3	
18	0000	8077491	BRACKET		1	
19	0016	860102	STUD (.375-16 x 1.730)		2	
20	0011	32219	NUT (.375-16)		2	

PART NOTES:

- [1] - Alternate part numbers:
59362Q01QS
59362T 1Service Part

Cylinder Head And Rocker Cover



A = TO TBI ADAPTOR PLATE
 B = TO FLAME ARRESTOR

12801

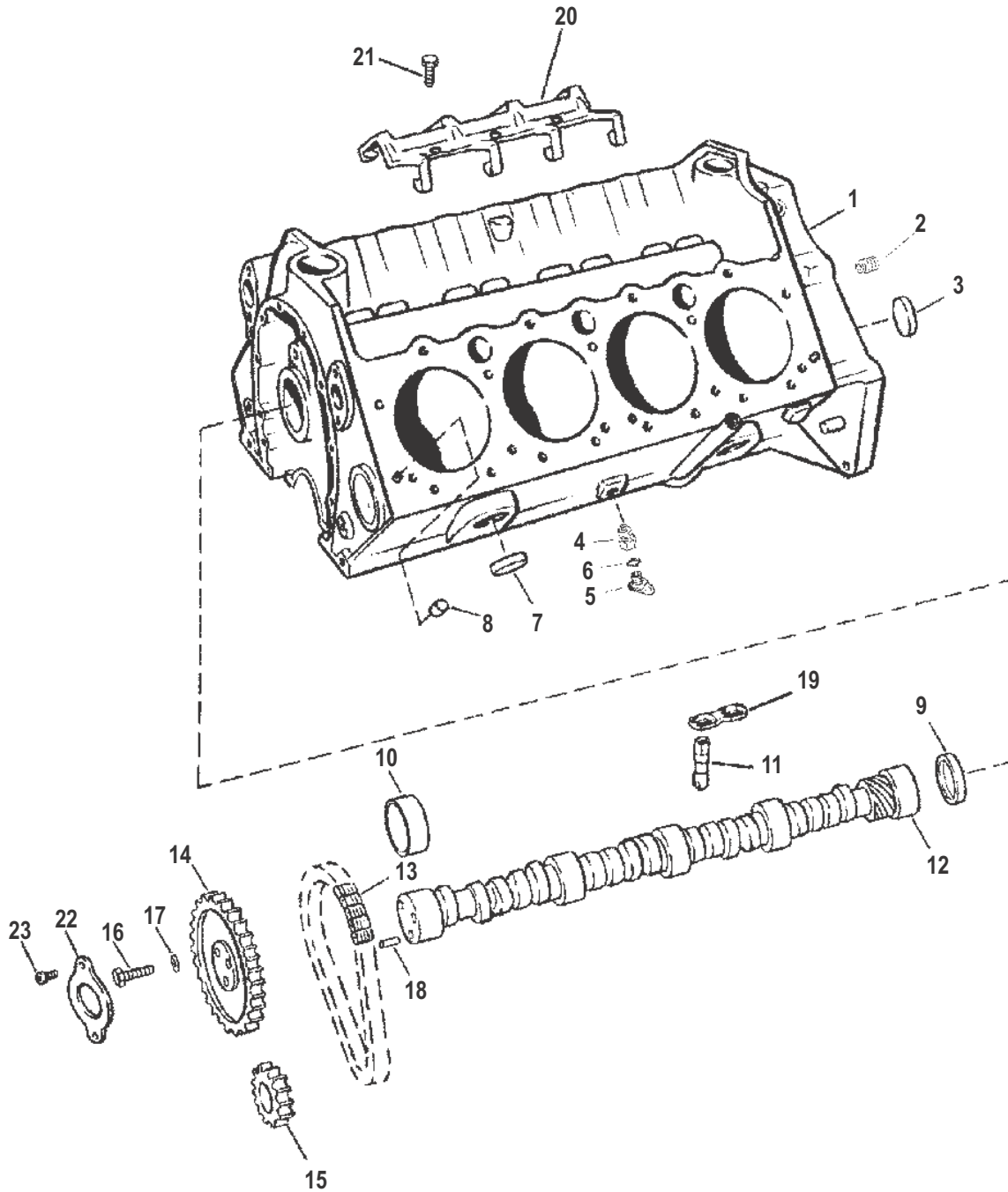
Cylinder Head And Rocker Cover

Ref #	Part Class	Part Number	Description	Comments	Qty	Note
1	0000	809995	COVER Rocker With Oil Fill Hole		1	
1	0000	809996	COVER Rocker With Out Oil Fill Hole		1	
2	0036	187101	CAP Oil Fill		1	
3	0010	17344	SCREW		8	
4	0027	17467	GASKET Rocker Cover		2	[1]
5	0025	52188	GROMMET		2	
6	0000	97850	ELBOW 90 Degree Breather		1	
7	0032	86197763	HOSE (33.00 Inches Bulk)		1	
8	0021	861476	VALVE PCV		1	
9	0032	807498240	TUBING (24.00 Inches Bulk)		1	
10	0054	815504105	CLAMP Worm Gear (11-18 mm)		2	
11	0000	807688T	TUBE Oil Fill		1	
12	0000	173391	PUSH ROD		16	
13	0000	8243171	VALVE Exhaust (Standard)		8	
13	0000	8243181	VALVE Exhaust (.030 O.S.)		AR	
14	0000	809992	VALVE Intake (Standard		8	
15	0026	976641	SEAL Intake		8	[1]
16	0026	804507	SEAL Exhaust		8	[1]
17	0024	483471	SPRING		16	
18	0000	483481	CAP		16	
19	0028	547971	KEY		32	
20	0000	35329	ARM KIT Rocker		16	
21	0000	35331	BALL Rocker Arm		16	
22	0011	34516	NUT		16	
23	0938	803860T	CYLINDER HEAD ASSEMBLY Cylinder		2	[2]
24	0016	34522	STUD (.003 O.S.)		AR	
24	0016	34521	STUD (.013 O.S.)		AR	
25	0027	75611	GASKET		2	[1]
26	0010	11968	SCREW (.437-14 x 1.750)		16	
27	0010	119671	SCREW (.437-14 x 3.00)		4	
28	0010	11966	SCREW (.437-14 x 3.750)		14	
29	0054	92850	CLAMP		1	
30	0023	91034	SPACER (.380 x 1.00 x .530)		1	
31	0010	37612	SCREW (.375-16 x 1.250)		1	
32	0027	883242A1	GASKET SET Engine Overhaul		1	

PART NOTES:

- [1] - Component Of Engine/Powerhead Gasket Set 75611A98
 [2] - Alternate part numbers:
 803860TQS
 8M0115137Kit

Cylinder Block And Camshaft



12802

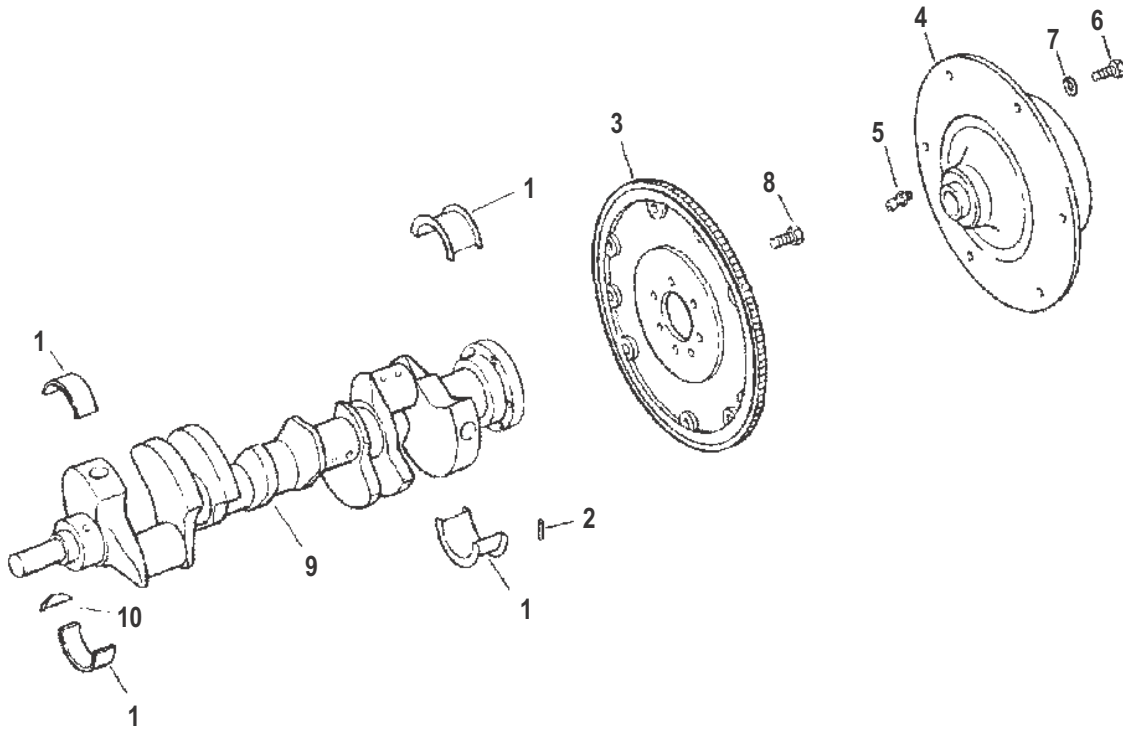
Cylinder Block And Camshaft

Ref #	Part Class	Part Number	Description	Comments	Qty	Note
1		NSS	NOT SOLD SEPARATE Cylinder Block Assembly	(Order Long Block 862760A 4)	1	
2	0022	48340	PLUG (.250-18 x .41)		4	
3	0019	816565	PLUG Cup (.468)		5	
4	0022	860088	BUSHING		1	
5	0022	806608A1	PLUG KIT (.500-13) Royal Blue		2	[1]
6	0025	32509	O-RING (.489 x .070)		2	[2]
7	0019	34270	EXPANSION PLUG (1.625)		8	
8	0017	35465	PIN Dowel (.312) Dowel (.3125)		4	
9	0022	72640	PLUG Expansion (Rear Camshaft)		1	
10	0023	85674	BEARING SET		1	
11	0000	17340T1	LIFTER Roller		16	
12	0431	862562	CAMSHAFT Roller		1	[3]
13	0000	17161T	CHAIN Timing		1	
14	0043	8116591	SPROCKET Camshaft		1	
15	0043	17160	SPROCKET Crankshaft		1	
16	0010	845942	SCREW (.312-18 x .750)		3	
17	0012	848136	WASHER (.328 x .680 x .190)		3	
18	0017	35312	PIN Dowel (1/4 In. Diameter)		1	
19	0000	17341	GUIDE Lifter		8	
20	0000	811662	RETAINER Lifter Guide		1	
21	0010	34500	SCREW (.312-18 x .625)		3	
22	0000	845941	RETAINER		1	
23	0010	845943	SCREW (.250-20 x .500)		2	
-	0000	862760A5	MARINE LONG BLOCK ENGINE		1	[4]
-	0092	809825	RTV SILICONE (3 Ounce Tube) Metallic Blue Where Applicable		1	
-	0092	342271	SEALING COMPOUND (16 Ounce) Where Applicable		1	
-	0027	75611A98	GASKET SET Engine Overhaul		1	

PART NOTES:

- [1] - Alternate part numbers:
806608A 1Service Part
806608Q01QS
- [2] - Component Of Engine/Powerhead Gasket Set 75611A98
- [3] - Part Is New And Listed For The First Time
- [4] - Alternate part numbers:
862760A 5QS
862760R01Reman

Crankshaft And Flywheel



12803

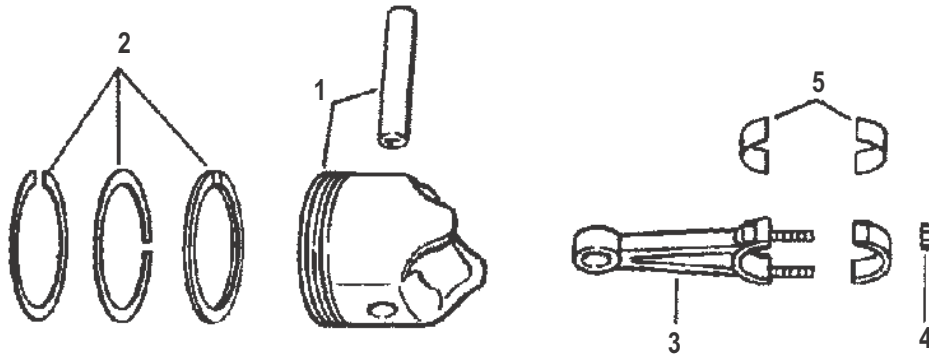
Crankshaft And Flywheel

Ref #	Part Class	Part Number	Description	Comments	Qty	Note
1	0031	849396	BEARING SET Standard - 5 Pair Standard		1	
1	0031	849395	BEARING SET (.001 Oversize) 5 Pair (.00105) Over Size		AR	
1	0031	849394	BEARING SET (.001 Undersize) 5 Pair (.001 USA)		AR	
2	0017	43504	PIN Dowel (.250)		2	
3	0222	9520	FLYWHEEL		1	
4	0000	18311A17	COUPLER ASSEMBLY Engine	(Bravo Engines)	1	
5	0022	49099	FITTING	(Bravo Engines)	2	
6	0010	14883	SCREW (.375-16 x 1.12)	(Bravo Engines)	6	
7	0012	20572	WASHER (.390 x .750 x .093)	(Bravo Engines)	6	
8	0010	845757	SCREW (.437-20 x 1.00)		6	[1]
9	0429	863320	CRANKSHAFT		1	[1]
10	0028	862594	KEY Crankshaft		2	

PART NOTES:

[1] - Part Is New And Listed For The First Time

Pistons And Connecting Rods



12804

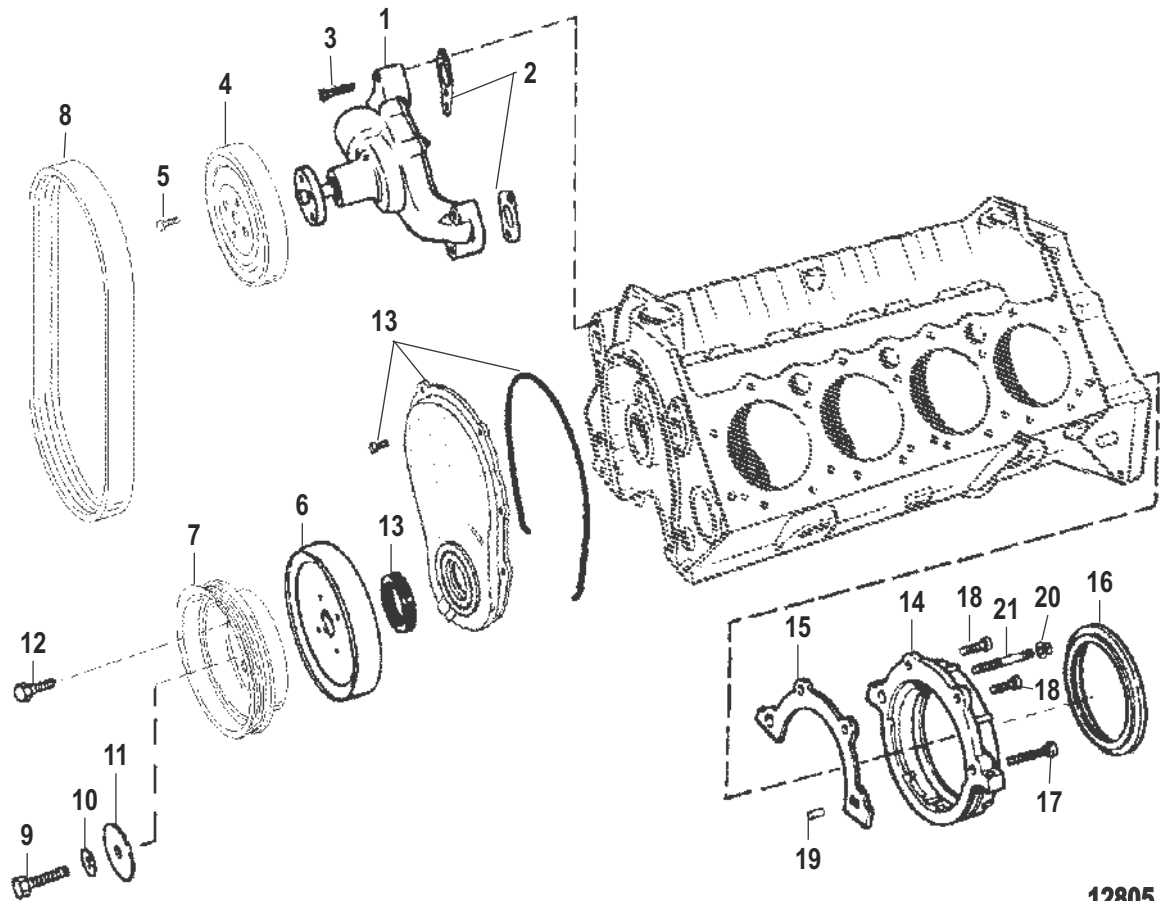
Pistons And Connecting Rods

Ref #	Part Class	Part Number	Description	Comments	Qty	Note
1	0735	864175A3	PISTON ASSEMBLY	(Standard)	8	[1]
2	0039	864176A1	RING SET Piston	(Standard)	8	
2	0039	835000	RING SET Piston (.5MM) Over Size		AR	
3	0614	862587A1	CONNECTING ROD		8	[1]
4	0011	862573	NUT		16	[1]
5	0031	849391	BEARING SET Standard - 8 Pair (8-Pair) Standard		1	
5	0031	849392	BEARING SET (.001 Oversize) 8 Pair (8-Pair - .001) Over Size		1	
5	0031	849393	BEARING SET (.001 Undersize) 8 Pair (8-Pair - .001) USA		1	

PART NOTES:

[1] - Part Is New And Listed For The First Time

Water Pump And Front Cover



12805

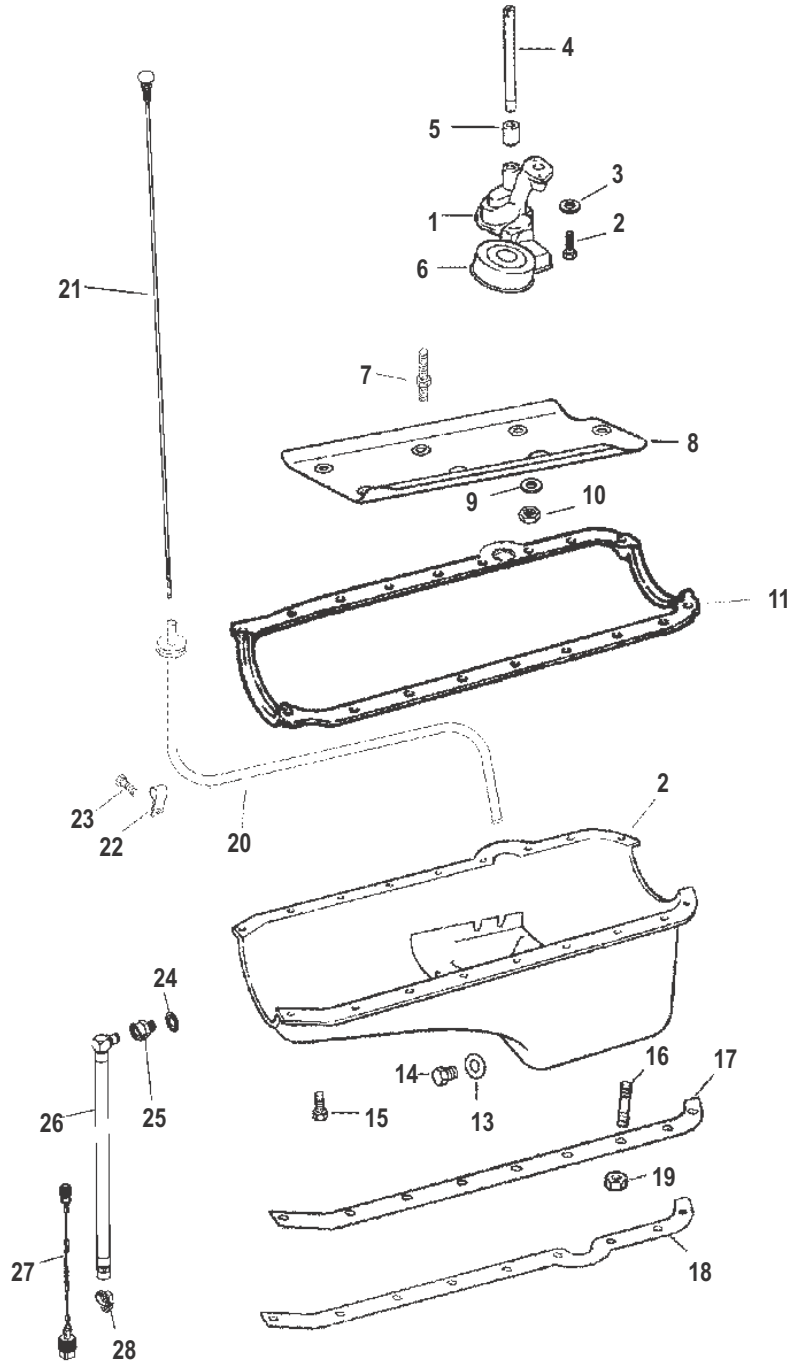
Water Pump And Front Cover

Ref #	Part Class	Part Number	Description	Comments	Qty	Note
1	0000	8503991	PUMP ASSEMBLY Water		1	[1]
2	0027	34897	GASKET		2	[2]
3	0010	32132	SCREW (.375-16 x 1.750)		1	
3	0010	47688	SCREW (.375-16 x 2.750)		1	
3	0016	35342	STUD (.312-24/.375-16 x 2.5625)		2	
4	0000	807729T	PULLEY		1	
5	0010	47277	SCREW (.312-24 x .750)		4	
6	0000	852946	BALANCER Harmonic		1	
7	0000	807730T	PULLEY		1	
8	0057	862087A1	BELT Serpentine	(Standard Cooling) (Bravo Engines)	1	
8	0057	861049	BELT Serpentine	(Closed Cooling)	1	
9	0010	32515	SCREW (.437-20 x 2.50)		1	
10	0013	39131	LOCKWASHER (.437)		1	
11	0012	71458	WASHER		1	[3]
12	0010	34352	SCREW (.375-24 x .875)		3	
13	0000	835005	COVER ASSEMBLY Timing Block Code 2MH	(Screws-Grommets-Oil Seal And Gasket Are Not Sold Separately.)	1	
13	0000	863396	TIMING COVER ASSEMBLY Block code 2MN	(Screws-Grommets-Oil Seal And Gasket Are Not Sold Separately.)	1	
14	0000	852940	HOUSING ASSEMBLY With Studs Oil Seal (Rear)		1	
15	0027	881715	GASKET		1	[2]
16	0026	852941	SEAL Oil (Rear)		1	[2]
17	0010	14243	BOLT (.250-20 x 1.750)		1	
18	0010	14242	BOLT (.250-20 x .875)		2	
19	0017	14263	PIN Dowel		1	
20	0011	816730	NUT (.250-20)		1	
21	0016	14827	STUD (.250-20 x 2.180)		1	
-	0027	75611A98	GASKET SET Engine Overhaul		1	

PART NOTES:

- [1] - Alternate part numbers:
850399 1QS
850399R04Reman
- [2] - Component Of Engine/Powerhead Gasket Set 75611A98
- [3] - Part Is New And Listed For The First Time

Oil Pan And Oil Pump



12806

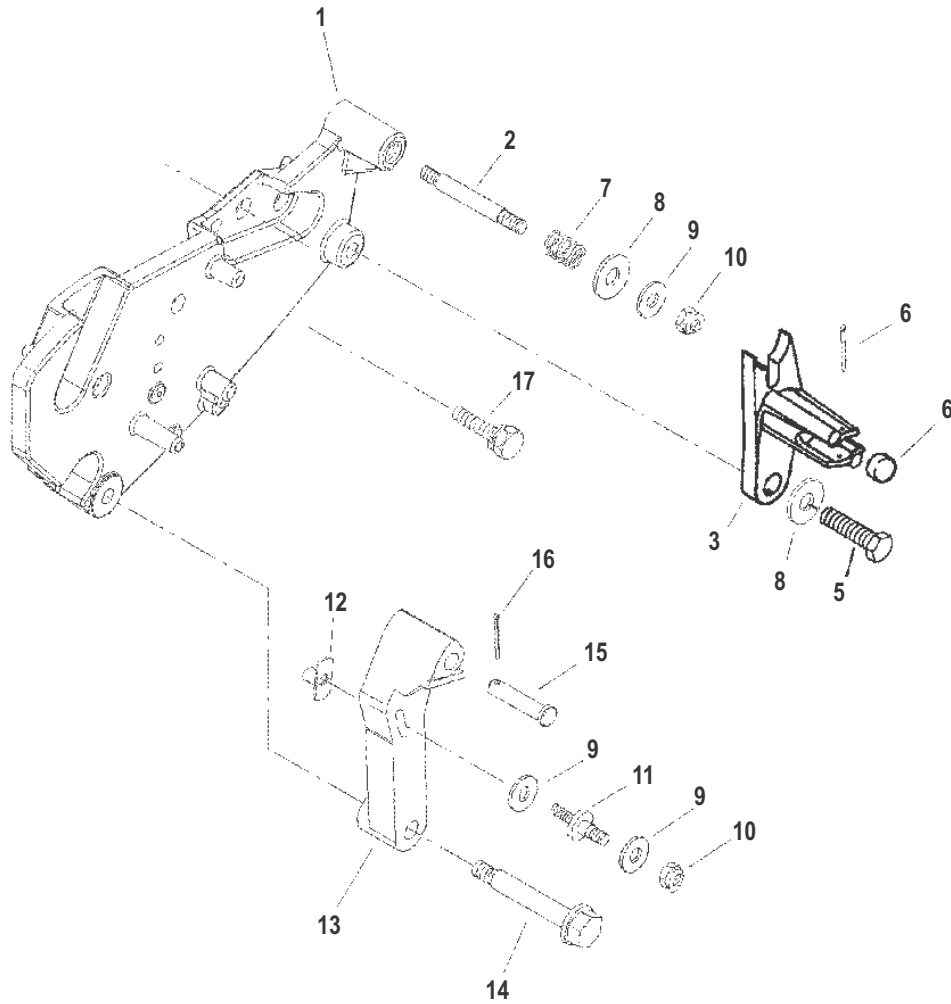
Oil Pan And Oil Pump

Ref #	Part Class	Part Number	Description	Comments	Qty	Note
1	0000	8099071	PUMP ASSEMBLY Oil		1	
2	0010	17346	SCREW		1	
3	0012	27339	WASHER		1	
4	0000	36184	SHAFT		1	
5	0023	36183	RETAINER		1	
6	0000	809909	SCREEN Oil Pump Pick Up		1	
7	0016	850090	STUD (.437-14/.375-16 x 3.360)		5	
8	0000	986021	DEFLECTOR Oil		1	
9	0012	20553	WASHER (.406 x .734 x .063)		5	
10	0011	845602	NUT (.375-16)		5	
11	0027	138651	GASKET Oil Pan		1	[1]
12	0000	809910	PAN Oil	(Metric Drain)	1	
13	0027	49955	GASKET Drain		1	[1]
14	0010	809911	SCREW Oil Drain (M12 x 1.75)		1	
15	0010	14070	SCREW (.250-20 x .625)		14	
16	0016	11989	STUD (.312-18 x 1.6718)		4	
17	0000	14257	REINFORCEMENT	(Port)	1	
18	0000	14256	REINFORCEMENT	(Starboard)	1	
19	0011	11971	NUT (.312-18)		4	
20	0000	862704A4	TUBE Dipstick		1	[2]
21	0000	861942T9	DIPSTICK Oil Level		1	[2]
22	0054	805625	CLIP Dipstick Tube		1	
23	0010	35366	SCREW		1	
24	0027	49955	GASKET Drain		1	
25	0022	862811	FITTING Quick Connect (Female)		1	
26	0032	805505A4	HOSE Oil Drain		1	[2]
27	0000	862827	TETHER ASSEMBLY		1	[2]
28	0054	805524	CLIP		1	
-	0027	75611A98	GASKET SET Engine Overhaul		1	

PART NOTES:

- [1] - Component Of Engine/Powerhead Gasket Set 75611A98
 [2] - Part Is New And Listed For The First Time

Bravo Shift Bracket

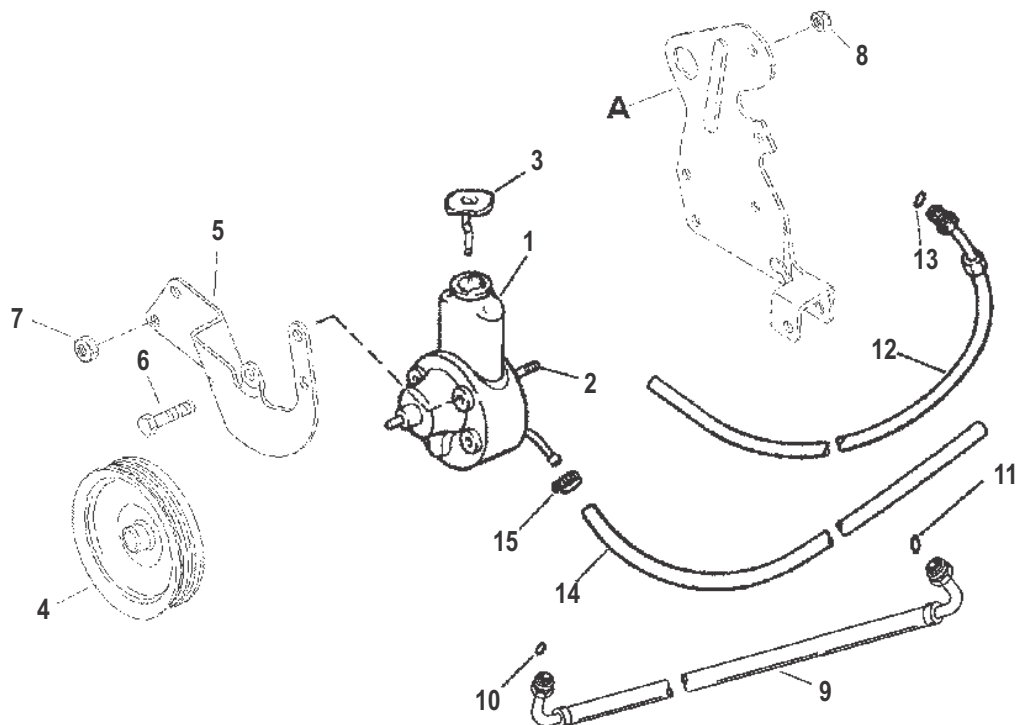


12807

Bravo Shift Bracket

Ref #	Part Class	Part Number	Description	Comments	Qty	Note
1	0000	807962A3	BRACKET ASSEMBLY		1	
2	0016	987981	STUD (.250-20/.250-28 x 2.120)		1	
3	0000	123811	RETAINER		1	
4	0023	98828	SPACER		1	
5	0010	53167	SCREW (.312-18 x .880)		1	
6	0018	32857	COTTER PIN		1	
7	0024	98880	SPRING		1	
8	0012	56720	WASHER (.330 x .750 x .060) Stainless Steel		2	
9	0012	35462	WASHER (.2656 x .625 x .0625) Stainless Steel		4	
10	0011	8267119	NUT (.250-28)		2	
11	0016	96112	STUD (.250-28 x 2.00) Throttle Cable Anchor		1	
12	0011	63341	TEE NUT		1	
13	0000	138981	LEVER		1	
14	0010	13743	SCREW (.312-18 x 1.843) Shoulder		1	
15	0017	68402	PIN (.250 x 1.13)		1	
16	0018	21071	COTTER PIN		1	
17	0010	657461	SCREW AND LOCKWASHER (.250- 20 x .625)		3	

Power Steering Components



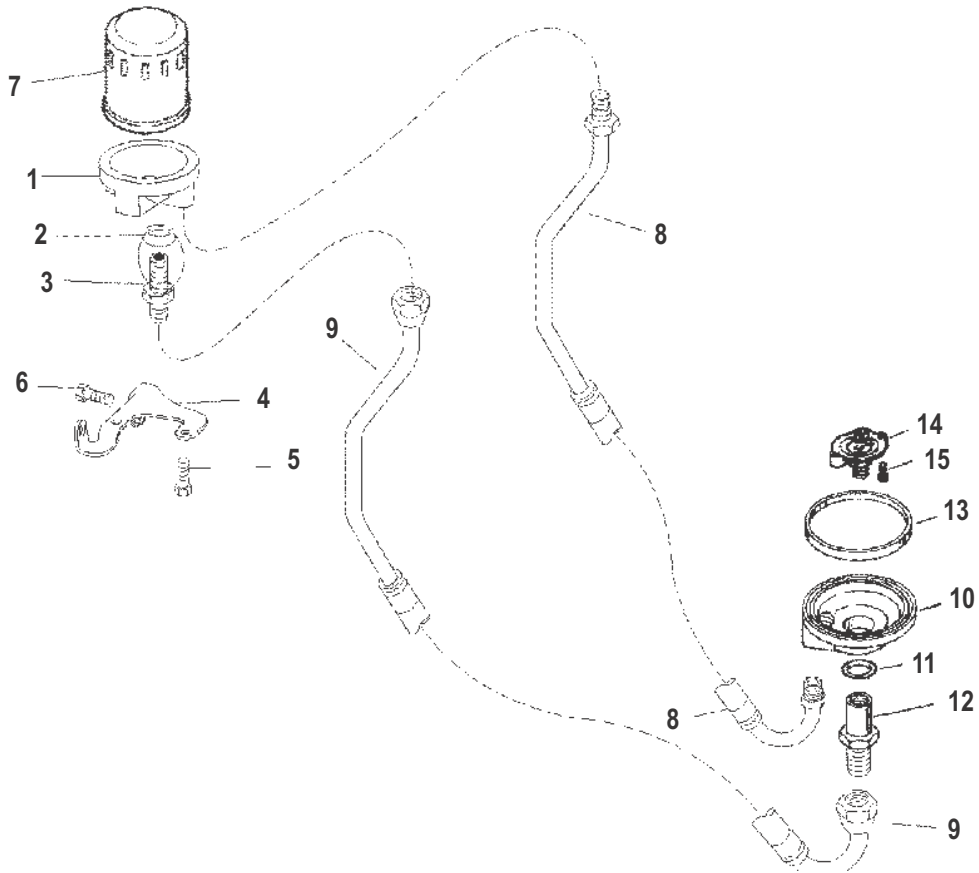
A = SEE "STARTER MOTOR AND ALTERNATOR" (REF. #19)

12809

Power Steering Components

Ref #	Part Class	Part Number	Description	Comments	Qty	Note
1	0000	16792A39	PUMP ASSEMBLY		1	
2	0016	41877	STUD (M10)		2	
3	0036	95805	CAP		1	
4	0000	861578	PULLEY		1	
5	0000	862082T	BRACE Power Steering		1	
6	0010	40001188	SCREW (M10 x 20)		3	
7	0011	32219	NUT (.375-16)		3	
8	0011	90517	NUT (M10)		1	
9	0032	862878	PRESSURE HOSE	(Fittings On Both Ends)	1	
10	0025	89879	O-RING (.301 x .064)		1	
11	0025	806232	O-RING (.239 x .064)		1	
12	0032	80622142	HOSE ASSEMBLY (84.00 Inches Bulk) Return	(Fitting On One End)	1	
13	0025	89879	O-RING (.301 x .064)		1	
14	0032	5251914	HOSE (53.00 Inches Bulk) Pump to Oil Cooler		1	
15	0054	815504105	CLAMP Worm Gear (11-18 mm)		3	
NS	0019	8079921	COVER Hose Clamp End		AR	

Remote Oil Filter



12811

Remote Oil Filter

Ref #	Part Class	Part Number	Description	Comments	Qty	Note
1	0000	806329T	ADAPTER Oil Filter		1	
2	0026	42077	SEAL		1	[1]
3	0022	806328	FITTING		1	
4	0000	807459T	BRACKET		1	
5	0010	98257	SCREW (.312-18 x .500)		2	
6	0010	98261	SCREW (.375-16 x .750)		1	
7	0035	802885Q	FILTER Oil		1	[2]
8	0032	860207A1	HOSE ASSEMBLY Oil		1	
9	0032	860208	HOSE ASSEMBLY Oil		1	
10	0000	818400A1	ADAPTER		1	
11	0026	42077	SEAL		1	[1]
12	0022	806121	FITTING		1	
13	0027	91892	GASKET		1	[1]
14	0000	53338	VALVE ASSEMBLY Filter		1	
15	0010	54786	SCREW (.312-18 x 1.250)		2	
-	0027	75611A98	GASKET SET Engine Overhaul		1	

PART NOTES:

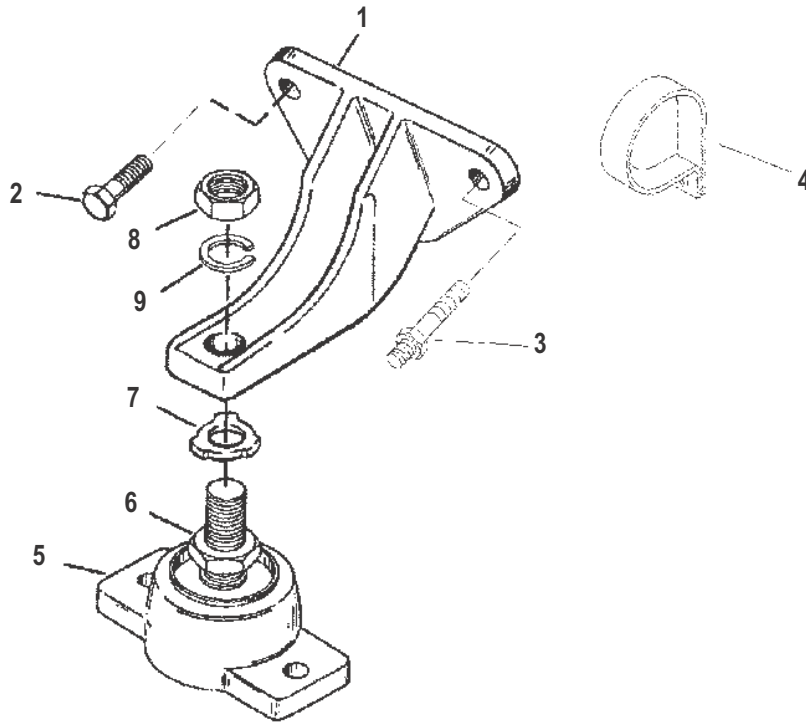
- [1] - Component Of Engine/Powerhead Gasket Set 75611A98
 [2] - Alternate part numbers:

14957Service Part

802885QQS

802885TMPP

Engine Mounting

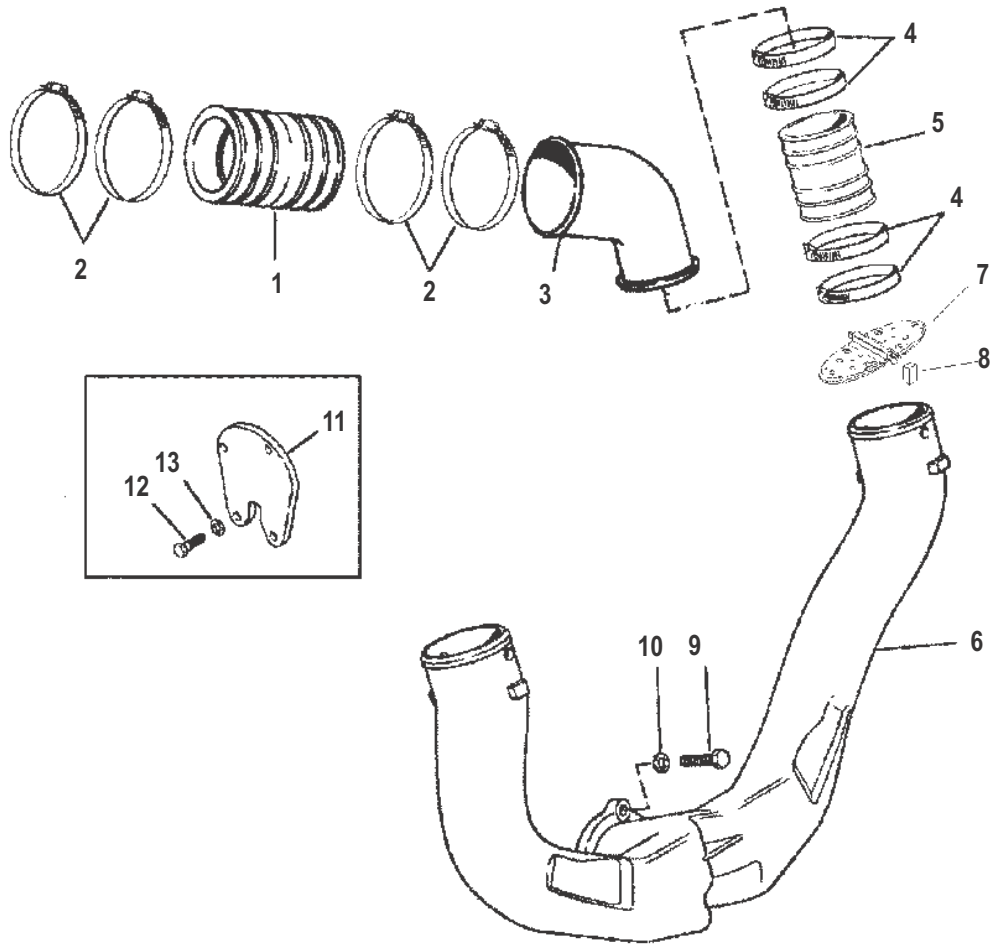


12812

Engine Mounting

Ref #	Part Class	Part Number	Description	Comments	Qty	Note
1	0000	79550A1	BRACKET		2	
2	0010	68101	SCREW (.375-16 x 1.375)		2	
3	0016	805357	STUD (.375-16 x 2.130)		4	
4	0054	816398	CLIP		1	
5	0000	66284A2	BASE ASSEMBLY		2	
6	0011	20739	NUT (.750-16)		2	
7	0014	12657	TAB WASHER		2	
8	0011	20739	NUT (.750-16)		2	
9	0013	68102	LOCKWASHER (.750)		2	

Exhaust System

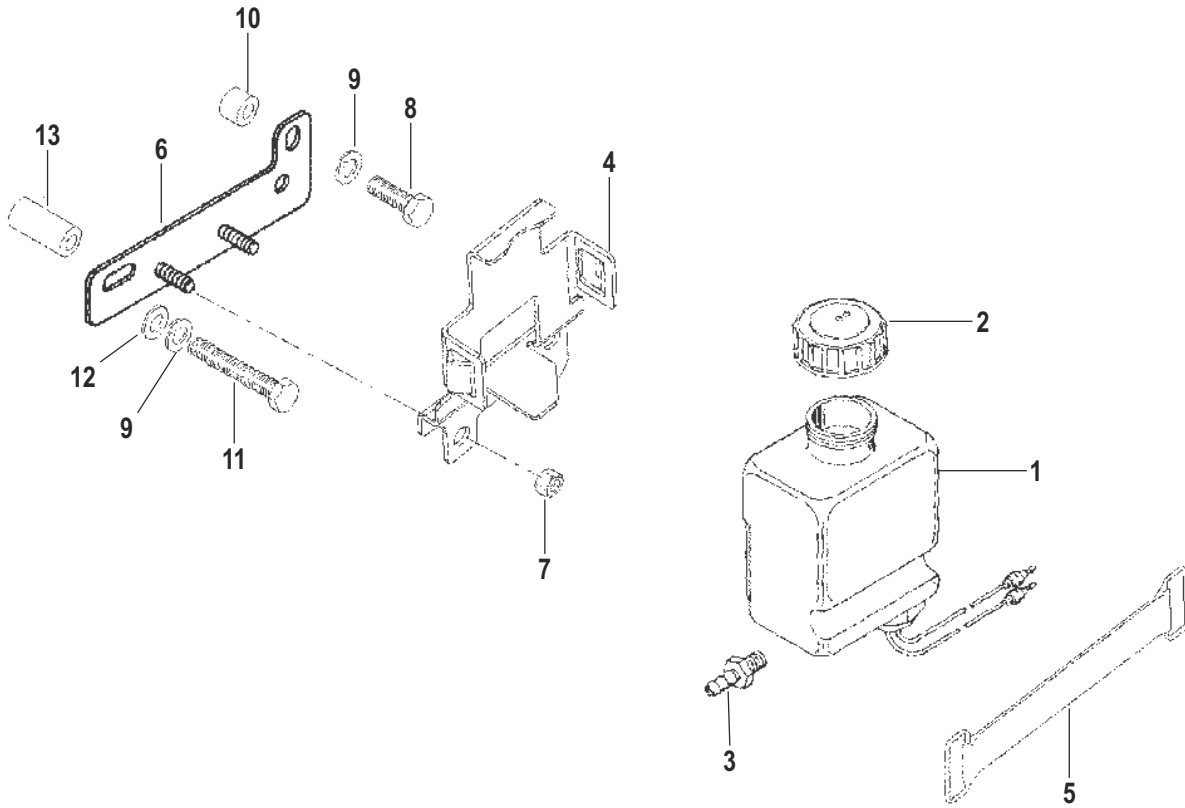


12813

Exhaust System

Ref #	Part Class	Part Number	Description	Comments	Qty	Note
1	0032	44348T	TUBE	(Standard)	2	
2	0054	815504272	CLAMP Worm Gear		8	
3	0000	11086T	ELBOW Port	(Standard)	1	
3	0000	14343T	ELBOW Starboard	(Standard)	1	
3	0000	14801A1	ELBOW KIT	(Use With Three Inch And Six Inch Risers Kits)	1	
4	0054	815504272	CLAMP Worm Gear		8	
5	0032	14358T	TUBE		2	
6	0000	807130A4	PIPE		1	
7	0000	807166A1	SHUTTER ASSEMBLY Water		2	
8	0025	807167	GROMMET		4	
9	0010	58640	SCREW (.375-16 x 1.25)		4	
10	0013	41471	LOCKWASHER (.375)		4	
NS	0019	8079923	COVER Hose Clamp End		AR	
11	0000	861776A2	PLATE KIT	(Thru Transom)	1	
12	0010	98794	SCREW (.375-16 x 1.00)	(Thru Transom)	4	
13	0013	41471	LOCKWASHER (.375)	(Thru Transom)	4	

Oil Reservoir Bottle And Bracket

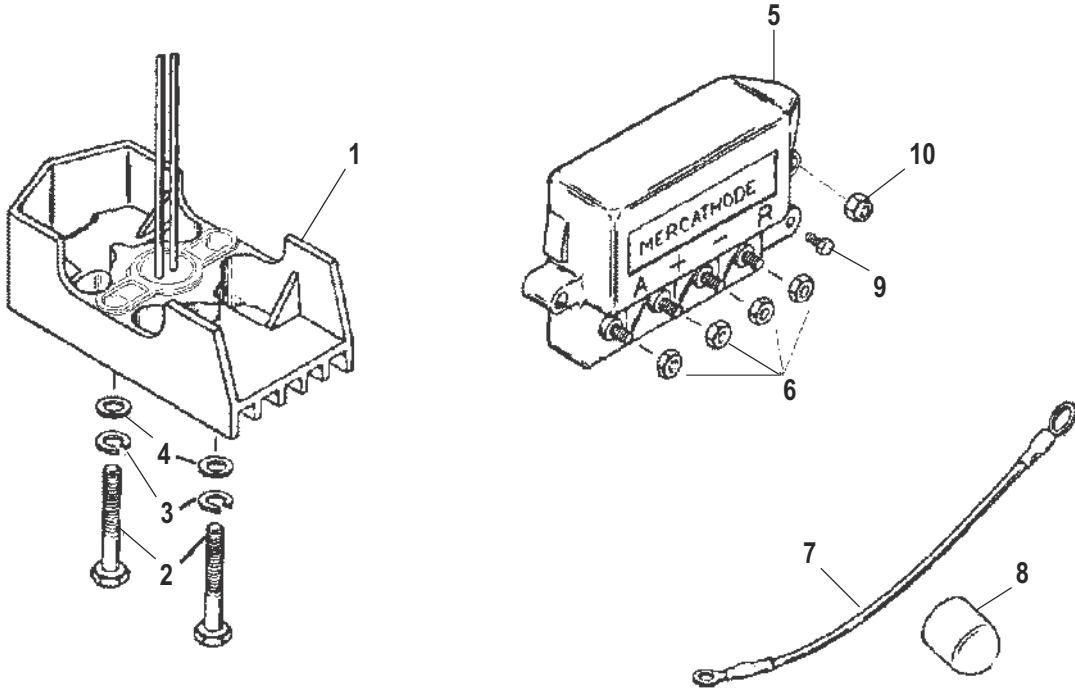


12814

Oil Reservoir Bottle And Bracket

Ref #	Part Class	Part Number	Description	Comments	Qty	Note
1	0000	806193A13	RESERVOIR		1	
2	0036	808625	CAP Drive Lube Monitor Oil Bottle		1	
3	0022	808624	CONNECTOR		1	
4	0000	860065A1	BRACKET KIT Oil Bottle		1	
5	0000	808023T	STRAP Bracket		1	
6	0000	805367T	BRACKET		1	
7	0011	29250	NUT (.312-24)		2	
8	0010	37612	SCREW (.375-16 x 1.250)	(Standard)	1	
9	0013	35048	LOCKWASHER (.375)	(Standard)	2	
10	0023	91034	SPACER (.380 x 1.00 x .530)	(Standard)	1	
11	0010	26486	SCREW (.375-16 x 2.375)	(Standard)	1	
12	0012	20553	WASHER (.406 x .734 x .063)	(Standard)	1	
13	0023	15895	SPACER (.38 x 1.00 x 1.44)	(Standard)	1	
8	0010	34353	SCREW (.375-16 x 1.00)	(Closed Cooling)	1	
9	0013	35048	LOCKWASHER (.375)	(Closed Cooling)	2	
10	0023	905201	SPACER (.750 x .250)	(Closed Cooling)	1	
11	0010	358701	SCREW (.375-16 x 2.00)	(Closed Cooling)	1	
12	0012	20553	WASHER (.406 x .734 x .063)	(Closed Cooling)	1	
13	0023	861360	SPACER (1.1875)	(Closed Cooling)	1	

Mercathode Components

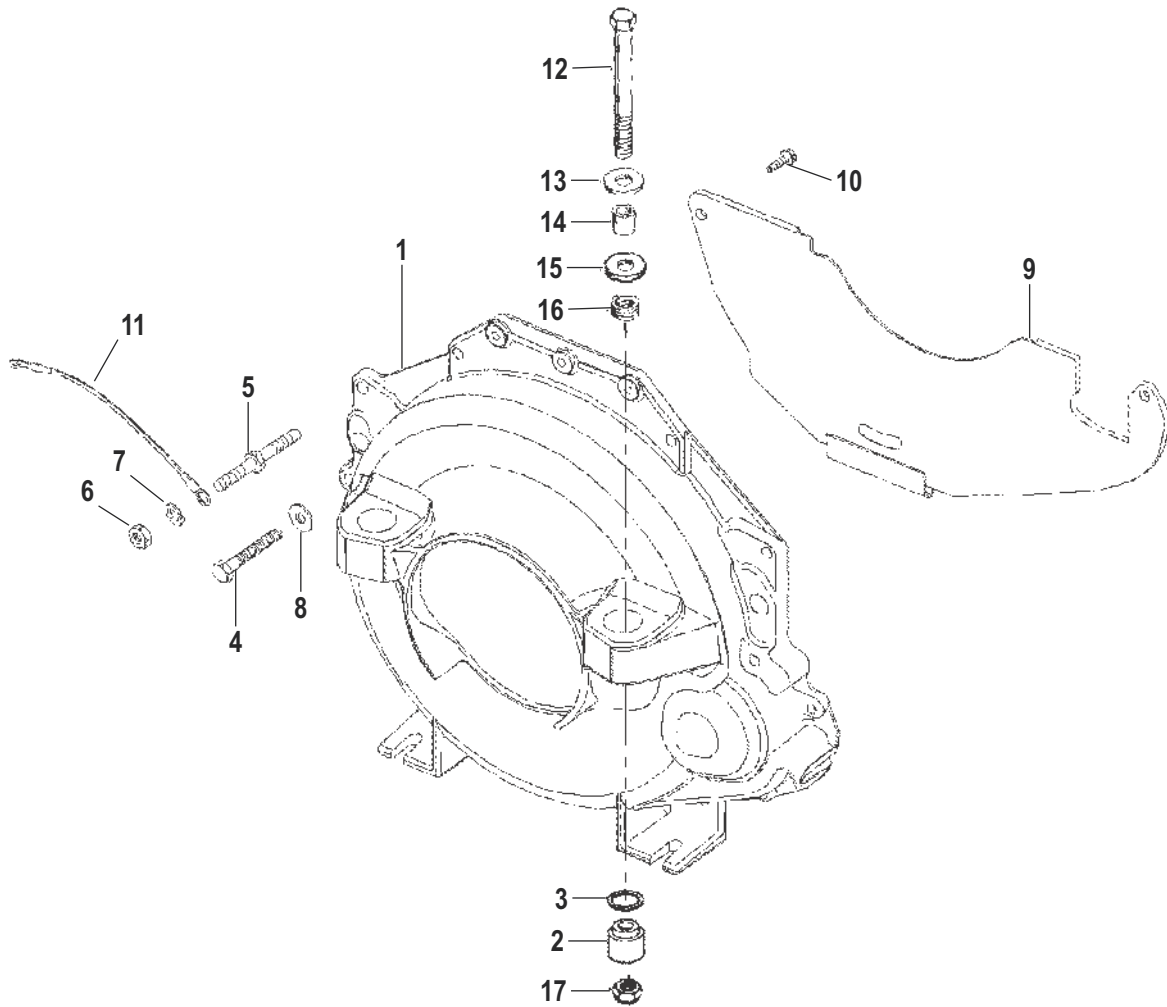


12815

Mercathode Components

Ref #	Part Class	Part Number	Description	Comments	Qty	Note
1	0000	98869A11	ELECTRODE ASSEMBLY		1	
2	0010	69067	SCREW (.250-20 x 1.375)		2	
3	0013	26992	LOCKWASHER (.250) Stainless Steel		2	
4	0012	29245	WASHER (.281 x .500 x .060) Stainless Steel		2	
5	0000	42600A3	CONTROLLER ASSEMBLY		1	
6	0011	68219	NUT (#10-32) Stainless Steel		4	
7	0084	88543A3	CABLE ASSEMBLY		1	
8	0000	44574	CAP		2	
9	0010	62568	SCREW (#10-16 x .375)		1	
10	0011	805562	NUT (#10-24)		2	

Flywheel Housing



12816

Flywheel Housing

Ref #	Part Class	Part Number	Description	Comments	Qty	Note
1	0000	12675A5	HOUSING ASSEMBLY Flywheel		1	
2	0000	99297A1	MOUNT ASSEMBLY Rubber		2	
3	0023	99322	SPACER		2	
4	0010	37612	SCREW (.375-16 x 1.250)		3	
4	0010	32132	SCREW (.375-16 x 1.750)		1	
5	0016	64066	STUD (.375-16 x 2.750) Special		2	
6	0011	32219	NUT (.375-16)		2	
7	0013	35048	LOCKWASHER (.375)		2	
8	0012	20572	WASHER (.390 x .750 x .093)		1	
9	0000	807260A2	COVER KIT Flywheel		1	
10	0010	76596	SCREW (.250-20 x 1.250)		2	
11	0084	62826A6	CABLE ASSEMBLY Ground (13.00 Inches) Black		1	
12	0010	97934	SCREW (.500-20 x 5.370) Special		2	
13	0012	35777	WASHER (.5156 x 1.375 x .125) Aluminum		2	
14	0023	99299	SPACER (.520 x .870 x .630)		2	
15	0012	32834	WASHER (.9375 x 1.750 x .172)		2	
16	0013	33734	LOCKWASHER (.500)		2	
17	0011	99298	NUT (.500-20)		2	

PARTS INDEX

Part No.	Description	Pg.	Ref.no	Part No.	Description	Pg.	Ref.no
11086T	ELBOW Port	58	3	11375	STUD (.375 x 9.56)	26	19
11966	SCREW (.437-14 x 3.750)	38	28	119671	SCREW (.437-14 x 3.00)	38	27
11968	SCREW (.437-14 x 1.750)	38	26	11971	NUT (.312-18)	48	19
11989	STUD (.312-18 x 1.6718)	48	16	12244	SCREW (.375-16 x 1.00)	26	20
123811	RETAINER	50	3	12552	LIFTING EYE	28	18
12657	TAB WASHER	56	7	12675A5	HOUSING ASSEMBLY Flywheel	64	1
13524T1	WHEEL ASSEMBLY	16	5	13743	SCREW (.312-18 x 1.843) Shoulder	50	14
138651	GASKET Oil Pan	48	11	138981	LEVER	50	13
14070	SCREW (.250-20 x .625)	48	15	14242	BOLT (.250-20 x .875)	46	18
14243	BOLT (.250-20 x 1.750)	46	17	14256	REINFORCEMENT	48	18
14257	REINFORCEMENT	48	17	14263	PIN Dowel	46	19
14315	SCREW (.375-16 x 4.25)	26	20	14343T	ELBOW Starboard	58	3
14358T	TUBE	58	5	14801A1	ELBOW KIT	58	3
14827	STUD (.250-20 x 2.180)	46	21	14883	SCREW (.375-16 x 1.12)	42	6
15001	SCREW (#8-16 x .875)	10	2	15895	SPACER (.38 x 1.00 x 1.44)	60	13
16792A39	PUMP ASSEMBLY	52	1	17160	SPROCKET Crankshaft	40	15
17161T	CHAIN Timing	40	13	173391	PUSH ROD	38	12
17340T1	LIFTER Roller	40	11	17341	GUIDE Lifter	40	19
17344	SCREW	38	3	17346	SCREW	48	2
1743579	HOSE (96.00 Inches Bulk)	28	22	17467	GASKET Rocker Cover	38	4
18311A17	COUPLER ASSEMBLY Engine	42	4	18431	PAD	32	3
187101	CAP Oil Fill	38	2	20084	WASHER (.328 x .562 x .062)	6	4
20084	WASHER (.328 x .562 x .062)	22	22	20533	WASHER	16	28
20533	WASHER	22	10	20553	WASHER (.406 x .734 x .063)	48	9
20553	WASHER (.406 x .734 x .063)	60	12	20553	WASHER (.406 x .734 x .063)	60	12
20572	WASHER (.390 x .750 x .093)	42	7	20572	WASHER (.390 x .750 x .093)	64	8
20739	NUT (.750-16)	56	6	20739	NUT (.750-16)	56	8
21071	COTTER PIN	50	16	21908	NUT (.312-18) Cad Plated	36	17
23720	RING Retaining	36	13	24323	SET SCREW (.250-20 x 1.25)	10	20
24323	SET SCREW (.250-20 x 1.25)	26	NS	24664	WASHER (M4 x 20)	22	20
26079A2	PLATE KIT Wire Harness Mount	10	1	26419	NUT (#8-32) Brass	10	12
26484	NUT (.312-18)	6	7	26486	SCREW (.375-16 x 2.375)	60	11
269011	BUMPER Rubber	20	24	26992	LOCKWASHER (.250) Stainless Steel	10	15
26992	LOCKWASHER (.250) Stainless Steel	62	3	26995	LOCKWASHER (#8) Stainless Steel	10	11
26996	LOCKWASHER (#10) Stainless Steel	8	6	26996	LOCKWASHER (#10) Stainless Steel	10	8
26996	LOCKWASHER (#10) Stainless Steel	12	4	26996	LOCKWASHER (#10) Stainless Steel	16	8
26996	LOCKWASHER (#10) Stainless Steel	16	25	27339	WASHER	48	3
28636	SCREW (.250-20 x .750)	10	23	29198	SCREW AND LOCKWASHER (.312-18 x .875)	32	13
29245	WASHER (.281 x .500 x .060) Stainless Steel	62	4	29250	NUT (.312-24)	28	17
29250	NUT (.312-24)	60	7	29488	NUT (#10-32) Lock	10	18
29598	NUT (.250-28) Stainless Steel	20	14	32132	SCREW (.375-16 x 1.750)	46	3
32132	SCREW (.375-16 x 1.750)	64	4	32219	NUT (.375-16)	6	22
32219	NUT (.375-16)	36	20	32219	NUT (.375-16)	52	7
32219	NUT (.375-16)	64	6	32509	O-RING (.489 x .070)	20	12
32509	O-RING (.489 x .070)	26	8	32509	O-RING (.489 x .070)	28	25
32509	O-RING (.489 x .070)	40	6	32515	SCREW (.437-20 x 2.50)	46	9
32561	PLUG Pipe - Allen Head (.250-18)	14	3	32783	RETAINER Three Wire	16	21
32784	RETAINER Four Wire	16	20	328022	PLUG Pipe (.125-27) Brass Hex Head	24	13
328022	PLUG Pipe (.125-27) Brass	26	15	328022	PLUG Pipe (.125-27) Brass	32	15
32803	PLUG Pipe (.375-18) Brass	28	2	32803	PLUG Pipe (.375-18) Brass	32	10
32834	WASHER (.9375 x 1.750 x .172)	64	15	32857	COTTER PIN	50	6
32974	FITTING (.125-27) Adaptor	12	6	33395	GASKET	26	3
33465	O-RING	36	3	33734	LOCKWASHER (.500)	64	16
33821	CONNECTOR	14	4	33821	CONNECTOR	24	15
342271	SEALING COMPOUND (16 Ounce) Where Applicable	40	-	34270	EXPANSION PLUG (1.625)	40	7
34352	SCREW (.375-24 x .875)	46	12	34353	SCREW (.375-16 x 1.00)	6	18
34353	SCREW (.375-16 x 1.00)	60	8	344863	GASKET	16	13
34500	SCREW (.312-18 x .625)	40	21	34516	NUT	38	22
34521	STUD (.013 O.S.)	38	24	34522	STUD (.003 O.S.)	38	24
34897	GASKET	46	2	35045	NUT (.250-28)	22	11

PARTS INDEX

Part No.	Description	Pg.	Ref.no	Part No.	Description	Pg.	Ref.no
35048	LOCKWASHER (.375)	60	9	35048	LOCKWASHER (.375)	60	9
35048	LOCKWASHER (.375)	64	7	35312	PIN Dowel (1/4 In. Diameter)	40	18
35329	ARM KIT Rocker	38	20	35331	BALL Rocker Arm	38	21
35342	STUD (.312-24/.375-16 x 2.5625)	46	3	35366	SCREW	48	23
35462	WASHER (.2656 x .625 x .0625) Stainless Steel	10	21	35462	WASHER (.2656 x .625 x .0625) Stainless Steel	26	24
35462	WASHER (.2656 x .625 x .0625) Stainless Steel	50	9	35465	PIN Dowel (.312) Dowel (.3125)	40	8
35777	WASHER (.5156 x 1.375 x .125) Aluminum	64	13	358701	SCREW (.375-16 x 2.00)	60	11
36183	RETAINER	48	5	36184	SHAFT	48	4
36533	WASHER (.328 x .562 x .0312) Copper	20	20	37293T	SENDER ASSEMBLY Dual Station	12	2
37372	PLUG Pipe (.500)	24	5	37612	SCREW (.375-16 x 1.250)	38	31
37612	SCREW (.375-16 x 1.250)	60	8	37612	SCREW (.375-16 x 1.250)	64	4
39131	LOCKWASHER (.437)	46	10	40001134	SCREW (M8 x 25)	6	3
40001188	SCREW (M10 x 20)	6	20	40001188	SCREW (M10 x 20)	52	6
400211	NUT (M5) Stainless Steel	8	5	400212	NUT (M6) Stainless Steel	6	2
400247	LOCKWASHER (M8)	8	10	400247	LOCKWASHER (M8)	36	16
41408	SCREW (#10-32 x 1.50)	16	24	41471	LOCKWASHER (.375)	58	10
41471	LOCKWASHER (.375)	58	13	41610	GASKET	22	13
41622	PLUG (.750-14) Pipe (3/4-14)	26	10	41877	STUD (M10)	52	2
42077	SEAL	54	2	42077	SEAL	54	11
42600A3	CONTROLLER ASSEMBLY	62	5	4285069	HOSE (44.00 Inches Bulk)	32	21
43504	PIN Dowel (.250)	42	2	43749	SCREW (.375-16 x 5.750)	26	12
43749	SCREW (.375-16 x 5.750)	26	12	44348T	TUBE	58	1
44574	CAP	62	8	46132	WASHER	26	17
46335	NUT (.375-24)	26	18	47277	SCREW (.312-24 x .750)	46	5
47617	PIN	16	10	47688	SCREW (.375-16 x 2.750)	46	3
47715	CLIP	28	16	48340	PLUG (.250-18 x .41)	40	2
483471	SPRING	38	17	483481	CAP	38	18
49099	FITTING	42	5	49734	SENDER Dual Station	12	3
49955	GASKET Drain	48	13	49955	GASKET Drain	48	24
52020	SLEEVE Hose	32	9	52188	GROMMET	38	5
5251914	HOSE (53.00 Inches Bulk) Pump to Oil Cooler	52	14	530451	GASKET	28	4
530451	GASKET	32	16	53167	SCREW (.312-18 x .880)	50	5
53338	VALVE ASSEMBLY Filter	54	14	53728	SCREW (.375-16 x 4.75)	26	4
54676	RETAINER Two Wire	16	19	54786	SCREW (.312-18 x 1.250)	54	15
547971	KEY	38	19	56393	SCREW (.437-20 x 1.75)	6	27
56720	WASHER (.330 x .750 x .060) Stainless Steel	50	8	57583	SCREW (#8-32 x .375)	10	9
57792	WASHER	6	6	58640	SCREW (.375-16 x 1.25)	32	14
58640	SCREW (.375-16 x 1.25)	58	9	59362T1	IMPELLER	36	6
59501A1	SHAFT	36	12	62568	SCREW (#10-16 x .375)	62	9
62826A6	CABLE ASSEMBLY Ground (13.00 Inches) Black	64	11	63341	TEE NUT	50	12
63709A1	BOOT/TERMINAL KIT	16	17	64015	NUT (.250-20)	10	22
64015	NUT (.250-20)	26	25	64066	STUD (.375-16 x 2.750) Special	64	5
657461	SCREW AND LOCKWASHER (.250-20 x .625)	50	17	65970T1	BRACKET	16	23
66284A2	BASE ASSEMBLY	56	5	66686	SCREW (#10-32 x 1.00)	16	7
68101	SCREW (.375-16 x 1.375)	56	2	68102	LOCKWASHER (.750)	56	9
68219	NUT (#10-32) Stainless Steel	12	5	68219	NUT (#10-32) Stainless Steel	16	26
68219	NUT (#10-32) Stainless Steel	62	6	68402	PIN (.250 x 1.13)	50	15
68513	SCREW (#10-32 x .375) Stainless Steel	10	7	69067	SCREW (.250-20 x 1.375)	62	2
71458	WASHER	46	11	71587A10	RECOVERY KIT Coolant	32	4
71587A11	BOTTLE Plastic	32	5	72058	CAP	32	6
72640	PLUG Expansion (Rear Camshaft)	40	9	72785	SEAL	36	14
72821	RETAINER	16	30	72961	BEARING Ball	36	11
73286	SCREW (.250-20 x .500) Stainless Steel	10	30	73379	PLUG (.250-18) Socket Head	22	17
73379	PLUG (.250-18) Hex Socket Head	24	12	73379	PLUG (.250-18)	26	11
74191	SCREW (.312-18 x 3.250)	36	4	74824	SCREW (.312-18 x 1.250)	22	21
75611	GASKET	38	25	75611A98	GASKET SET Engine Overhaul	16	-
75611A98	GASKET SET Engine Overhaul	20	-	75611A98	GASKET SET Engine Overhaul	22	-
75611A98	GASKET SET Engine Overhaul	24	-	75611A98	GASKET SET Engine Overhaul	26	-
75611A98	GASKET SET Engine Overhaul	28	-	75611A98	GASKET SET Engine Overhaul	34	-
75611A98	GASKET SET Engine Overhaul	40	-	75611A98	GASKET SET Engine Overhaul	46	-
75611A98	GASKET SET Engine Overhaul	48	-	75611A98	GASKET SET Engine Overhaul	54	-

PARTS INDEX

Part No.	Description	Pg.	Ref.no	Part No.	Description	Pg.	Ref.no
76596	SCREW (.250-20 x 1.250)	26	22	76596	SCREW (.250-20 x 1.250)	64	10
774572	HOSE (48.00 Inches Bulk)	32	NS	79023A91	FUSE ASSEMBLY 90 Ampere	8	8
79091	FUSE 20 Ampere	12	14	79550A1	BRACKET	56	1
79695	BOOT Insulator - Black	8	7	802885Q	FILTER Oil	54	7
803148	SENSOR	22	NS	803149	VALVE IAC	22	NS
803150	SCREW	22	NS	803151	SCREW IAC	22	NS
803152	SEAL TPS	22	NS	803644	GASKET	32	NS
803860T	CYLINDER HEAD ASSEMBLY Cylinder	38	23	804351	CLIP	10	24
804352	CLIP	10	25	804507	SEAL Exhaust	38	16
804638	FUSE Red - 10 Ampere	10	27	805059	FITTING	12	1
805062	O-RING (.530 x .082)	20	7	805063	O-RING (.301 x .070)	20	5
805063	O-RING (.301 x .070) Design I	20	27	805185A36	DISTRIBUTOR ASSEMBLY	16	1
805218T	SENSOR	12	11	805223T	SENSOR	24	17
805295	STUD (.250-20/.250-28 x Special)	22	5	8053432	SCREW (.375-16 x 4.33)	8	3
805357	STUD (.375-16 x 2.130)	56	3	805367T	BRACKET	60	6
805368T	BRACKET Electrical	10	5	805406	FILTER	20	16
805408	VALVE Rail Pressure Service	24	6	805459	STUD Mercathode Mounting	10	14
805505A4	HOSE Oil Drain	48	26	805515	CAP Shrader Valve - Brass	24	7
805524	CLIP	48	28	805559	SCREW (.375-16 x .875) Stainless Steel	16	15
805562	NUT (#10-24)	62	10	805564	SCREW (.250-20 x .750)	10	13
805570A2	COIL KIT	16	22	805592A1	CONNECTOR ASSEMBLY	12	9
805598	FITTING (.1875) Barb	22	14	805605A1	SWITCH ASSEMBLY	12	7
805625	CLIP Dipstick Tube	48	22	805759A5	CAP ASSEMBLY	16	2
805760	GASKET	16	3	806121	FITTING	54	12
80617379	HOSE (52.00 Inches Bulk)	20	21	80617379	HOSE (52.00 Inches Bulk)	20	29
806193A13	RESERVOIR	60	1	80622142	HOSE ASSEMBLY (84.00 Inches Bulk) Return	52	12
806232	O-RING (.239 x .064)	52	11	806328	FITTING	54	3
806329T	ADAPTER Oil Filter	54	1	806608A1	PLUG KIT (.500-13) Royal Blue	20	11
806608A1	PLUG KIT (.500-13) Royal Blue	26	7	806608A1	PLUG KIT (.500-13) Royal Blue	28	24
806608A1	PLUG KIT (.500-13) Royal Blue	40	5	806612T	SENSOR Knock	12	10
8067051	FITTING Dual	12	12	806826	SCREW (#8-32 x .250)	24	19
806871	GASKET	28	3	806922	SLEEVE	28	6
806926A1	ELBOW KIT Drain	26	6	806949	NUT (M8-1.5)	8	4
806950	BREAKER Circuit - 50 Ampere	10	6	806981	SPACER	26	23
807054	SCREW (.250-20 x 1.00)	22	6	807057T	RELAY	10	26
807075A1	COVER	32	12	807130A4	PIPE	58	6
807133	STUD (.250 x 1.750)	22	9	8071341	SEAL	32	8
807151A14	BODY/IMPELLER KIT	36	2	807151A9	PUMP ASSEMBLY Sea Water Complete	36	1
807166A1	SHUTTER ASSEMBLY Water	58	7	807167	GROMMET	58	8
807172	FILTER Fuel/Water Separator	14	7	807252T2	THERMOSTAT 71DegreeC (160 Degree F)	28	5
807260A2	COVER KIT Flywheel	64	9	807356	SCREW (.312-18 x 2.680) (.312-18 X .625)	36	4
807399T	SENSOR Fuel Pressure	24	14	807453T	BRACKET Harness Mounting/Lifting Eye	10	3
807459T	BRACKET	54	4	807473A1	GASKET SET	24	4
807498240	TUBING (24.00 Inches Bulk)	38	9	807685T	INSULATOR	20	2
807688T	TUBE Oil Fill	38	11	807697	HOSE Thermostat Housing to Starboard Manifold	28	14
807729T	PULLEY	46	4	807730T	PULLEY	46	7
8077491	BRACKET	36	18	807757T	PULLEY ASSEMBLY Idler - Black	6	17
807783A1	FITTING ASSEMBLY 90 Degree	20	4	807806T	INSULATOR Cap Fuel Filter	14	9
807807T	INSULATOR Base	14	10	807918T	BRACKET Fuel Filter Base	14	11
807930	INSULATOR	20	25	807951T	BRACKET Fuel Cooler	20	1
807952A1	REGULATOR KIT Fuel Pressure	20	15	807953	LINE ASSEMBLY Fuel	14	14
807954T	HOSE ASSEMBLY Fuel Regulator to Filter	14	15	807956T	INSULATOR Back	14	8
807958	FITTING (1/4-18)	14	6	807962A3	BRACKET ASSEMBLY	50	1
807979T	BRACKET	20	13	807988A2	ELBOW ASSEMBLY Exhaust	26	9
8079921	COVER Hose Clamp End	52	NS	8079923	COVER Hose Clamp End	28	NS
8079923	COVER Hose Clamp End	32	NS	8079923	COVER Hose Clamp End	58	NS
808001A1	FITTING ASSEMBLY	20	6	808002A1	FITTING KIT	20	19
808003	CONNECTOR	14	5	808005	SCREW (.250-20 x .500)	20	23
808010	SCREW (.312-18 x 1.375)	24	8	808023T	STRAP Bracket	60	5
808033	HOSE Molded	28	8	808042	FITTING Elbow (90 Degrees) (.50 NPT x .75 Bars)	32	26
8080441	HOSE Molded	28	21	8080441	HOSE Molded	32	27

PARTS INDEX

Part No.	Description	Pg.	Ref.no	Part No.	Description	Pg.	Ref.no
808045	HOSE Fuel Cooler to Transmission Oil Cooler	32	23	808624	CONNECTOR	60	3
808625	CAP Drive Lube Monitor Oil Bottle	60	2	809463A1	SOLENOID KIT Starter	8	2
809825	RTV SILICONE (3 Ounce Tube) Metallic Blue Where Applicable	40	-	8099071	PUMP ASSEMBLY Oil	48	1
809909	SCREEN Oil Pump Pick Up	48	6	809910	PAN Oil	48	12
809911	SCREW Oil Drain (M12 x 1.75)	48	14	809992	VALVE Intake (Standard)	38	14
809995	COVER Rocker With Oil Fill Hole	38	1	809996	COVER Rocker With Out Oil Fill Hole	38	1
8116591	SPROCKET Camshaft	40	14	811662	RETAINER Lifter Guide	40	20
814806	WASHER (.344 x .688 x .065) Stainless Steel	36	5	814875	COVER Heat Exchanger End	32	NS
814877	BOLT	32	NS	814878	O-RING Special	32	NS
8148791	CAP	32	NS	815425T	SENDER ASSEMBLY	12	2
815504105	CLAMP Worm Gear (11-18 mm)	38	10	815504105	CLAMP Worm Gear (11-18 mm)	52	15
815504212	CLAMP Worm Gear	32	32	815504220	CLAMP Worm Gear	28	15
815504220	CLAMP Worm Gear	32	29	815504222	CLAMP Worm Gear (1.98 Diameter)	28	10
815504222	CLAMP Worm Gear (1.98 Diameter)	28	23	815504222	CLAMP Worm Gear (1.98 Diameter)	32	30
815504232	CLAMP Worm Gear (2.50 Diameter)	28	12	815504232	CLAMP Worm Gear (2.50 Diameter)	32	31
815504272	CLAMP Worm Gear	58	2	815504272	CLAMP Worm Gear	58	4
815504388	CLAMP Worm Gear	32	28	816133	FITTING	14	2
816311T	TIE STRAP (8.00 Inches)	20	30	816398	CLIP	56	4
816492A6	ALARM KIT	12	8	816565	PLUG Cup (.468)	40	3
816585	SCREW (.312-18 x .875)	28	20	816608A83	CABLE KIT Ignition Spark Plugs And Coil	16	16
816730	NUT (.250-20)	46	20	817618	NUT (.437-20)	6	15
817618	NUT (.437-20)	6	28	818192	STUD	22	18
818380T	BUSHING	6	14	818380T	BUSHING	6	26
8183812	PINION STUD (.437-20) Stainless Steel	6	16	818382	PULLEY	6	25
818400A1	ADAPTER	54	10	818598T	BRACKET	26	21
818807	GEAR	16	9	8243171	VALVE Exhaust (Standard)	38	13
8243181	VALVE Exhaust (.030 O.S.)	38	13	82670911	NUT (.312-24) Stainless Steel	14	12
8267119	NUT (.250-28)	8	9	8267119	NUT (.250-28)	50	10
8267139	NUT (.250-28)	22	19	828213	SCREW (.312-18 x 1.500) Hex Flange	6	5
830796A1	CONNECTOR ASSEMBLY	12	9	83296915	FUSE Mini - Blue - 15 Ampere	10	27
835000	RING SET Piston (.5MM) Over Size	44	2	835005	COVER ASSEMBLY Timing Block Code 2MH	46	13
843504	SCREW (.380-16 x 1.500) Stainless Steel	26	12	845602	NUT (.375-16)	48	10
845757	SCREW (.437-20 x 1.00)	42	8	845941	RETAINER	40	22
845942	SCREW (.312-18 x .750)	40	16	845943	SCREW (.250-20 x .500)	40	23
848136	WASHER (.328 x .680 x .190)	40	17	849391	BEARING SET Standard - 8 Pair (8-Pair) Standard	44	5
849392	BEARING SET (.001 Oversize) 8 Pair (8-Pair - .001) Over Size	44	5	849393	BEARING SET (.001 Undersize) 8 Pair (8-Pair - .001) USA	44	5
849394	BEARING SET (.001 Undersize) 5 Pair (.001 USA)	42	1	849395	BEARING SET (.001 Oversize) 5 Pair (.00105) Over Size	42	1
849396	BEARING SET Standard - 5 Pair Standard	42	1	850090	STUD (.437-14/.375-16 x 3.360)	48	7
8503991	PUMP ASSEMBLY Water	46	1	851889	O-RING	24	2
852368	SCREW (#10-24 x .750)	20	17	852940	HOUSING ASSEMBLY With Studs Oil Seal (Rear)	46	14
852941	SEAL Oil (Rear)	46	16	852946	BALANCER Harmonic	46	6
85674	BEARING SET	40	10	860065A1	BRACKET KIT Oil Bottle	6	10
860065A1	BRACKET KIT Oil Bottle	60	4	860069	NUT (.375-16)	14	13
860069	NUT (.375-16)	20	28	860088	BUSHING	40	4
8600891	HOSE Molded	28	9	860102	STUD (.375-16 x 1.730)	6	24
860102	STUD (.375-16 x 1.730)	36	19	860132	SCREW (.312-18 x 1.250)	22	16
860144	HOSE Thermostat Housing To Port Exhaust Manifold	28	13	860168002	OWNERS MANUAL	2	-
860207A1	HOSE ASSEMBLY Oil	54	8	860208	HOSE ASSEMBLY Oil	54	9
860232	GASKET	26	5	860232	GASKET	26	16
860234A1	HEAT EXCHANGER	32	1	860246A10	MANIFOLD ASSEMBLY Exhaust	26	1
860256A4	HOUSING ASSEMBLY Thermostat	28	1	860273	CONNECTOR	20	22
860326A1	BRACKET ASSEMBLY Heat Exchanger	32	2	860331	HOSE Thermostat By-Pass	32	17
860332	HOSE	32	22	860346	FITTING Elbow (90 Degree) (.750)	32	25
860373A4	MANIFOLD ASSEMBLY Intake	24	3	860419	HOSE Thermostat Housing To Heat Exchanger	32	19
860421	HOSE Heat Exchanger To Exhaust Manifold	32	18	860482	HOSE Water Pump To Intake Manifold	32	24
861049	BELT Serpentine	46	8	861059	HOSE	32	20
861156A1	PUMP ASSEMBLY	20	3	861159T1	HARNESS ASSEMBLY EFI	4	NS
861187	PLUG (.750-14) Pipe	26	2	861187	PLUG (.750-14) Pipe	26	14

PARTS INDEX

Part No.	Description	Pg.	Ref.no	Part No.	Description	Pg.	Ref.no
861188A1	HOUSING ASSEMBLY Thermostat	32	7	861198	CLIP	24	18
861249A1	SENSOR ASSEMBLY Manifold Air Pressure	24	16	861260T	INJECTOR Fuel	24	1
861267A1	COOLER KIT Fuel	20	8	861303	SCREW (.250-28) Special	20	9
861360	SPACER (1.1875)	60	13	861388	BRACKET Throttle Cable	22	15
861414	RING Retaining	20	10	861442A1	THROTTLE BODY ASSEMBLY (90MM)	22	7
861443T	FLAME ARRESTOR	22	4	861449	GASKET	22	8
861476	VALVE PCV	38	8	861554T	COOLER	28	19
861565A2	LINE ASSSEMBLY Fuel Cooler To Fuel Rail	20	26	861578	PULLEY	52	4
861579	PULLEY	36	15	861590A05	HOSE ASSEMBLY With Drain	28	11
861714T	BRACKET ECU Mounting	10	19	861776A2	PLATE KIT	58	11
861780A2	SENSOR ASSEMBLY	16	6	861804T1	FUEL RAIL	24	9
861805	TUBE Fuel Cross Over	24	11	861813	FASTENER	22	2
861881	BRACKET Electrical Mounting	10	29	861942T9	DIPSTICK Oil Level	48	21
86197763	HOSE (33.00 Inches Bulk)	38	7	862029	SPARK PLUG	16	18
862031T	ALTERNATOR ASSEMBLY	6	1	862053	O-RING	24	20
862055T	BRACKET Alternator Mounting	6	8	862056T	BRACKET	6	12
862082T	BRACE Power Steering	6	19	862082T	BRACE Power Steering	52	5
862083T	BRACKET Idler Adjustment	6	13	862084T	BRACKET Idler	6	21
862085T	BRACE Idler Bracket	6	23	862087A1	BELT Serpentine	46	8
862125	HOSE Heat Exchanger To Exhaust Manifold	32	18	862179T1	HARNES ASSEMBLY Engine Main	4	NS
862562	CAMSHAFT Roller	40	12	862573	NUT	44	4
862587A1	CONNECTING ROD	44	3	862594	KEY Crankshaft	42	10
862704A4	TUBE Dipstick	48	20	862760A5	MARINE LONG BLOCK ENGINE	40	-
862811	FITTING Quick Connect (Female)	48	25	862827	TETHER ASSEMBLY	48	27
862878	PRESSURE HOSE	52	9	862904T1	ECM Engine Control Module	10	28
862963	DECAL Spec. MCM 6.2	2	-	862964	COVER	22	1
863007A1	STARTER MOTOR ASSEMBLY	8	1	863151	SEAL Quad Ring Design II	20	27
863170	DECAL MX 6.2L MPI	2	-	863210	PLATE TBI Adaptor (90MM)	22	12
863320	CRANKSHAFT	42	9	863396	TIMING COVER ASSEMBLY Block code 2MN	46	13
86400	WASHER	22	3	864175A3	PISTON ASSEMBLY	44	1
864176A1	RING SET Piston	44	2	86885	SCREW (.250-20 x 1.500) Stainless Steel	24	10
87108	HOSE Molded Without Drain	28	11	881715	GASKET	46	15
88178200	MX 6.2L MPI BRAVO ENGINE	2	-	883242A1	GASKET SET Engine Overhaul	38	32
88543A3	CABLE ASSEMBLY	62	7	88731	CLAMP	16	14
89302	WASHER (.203 x .406 x .040)	20	18	89876A3	BASE ASSEMBLY Fuel Filter/Water Separator	14	1
89879	O-RING (.301 x .064)	52	10	89879	O-RING (.301 x .064)	52	13
8M2016106	SCREW (.312 x 1.25)	28	20	90096A1	STUD ASSEMBLY (#10-32 x Special)	16	29
90517	NUT (M10)	52	8	905201	SPACER (.750 x .250)	60	10
90562	SEAL (1.254 x .312)	36	10	90915	BUSHING	16	11
90926	SCREW (#10-32 x .810)	16	4	90931	THRUST WASHER	16	12
91034	SPACER (.380 x 1.00 x .530)	38	30	91034	SPACER (.380 x 1.00 x .530)	60	10
91892	GASKET	54	13	92850	CLAMP	38	29
93320A5	RISER KIT Exhaust (3 Inches) (3)	26	13	93322A7	RISER KIT Exhaust (6 Inches) (6)	26	13
94288	QUAD RING	36	7	94330	NUT (.250-20) Brass	10	16
94576	WEAR PLATE	36	8	94913A5	HOUSING ASSEMBLY Pump	36	9
95084A10	CABLE ASSEMBLY (5.00 Inches) Red Female	12	15	95084A9	CABLE ASSEMBLY (91.00 Inches) Red/Purple Strip Male	12	13
9520	FLYWHEEL	42	3	95805	CAP	52	3
96112	STUD (.250-28 x 2.00) Throttle Cable Anchor	50	11	96158T	SOLENOID	10	10
97257A1	SENDER ASSEMBLY Water Temperature	12	3	976641	SEAL Intake	38	15
97850	ELBOW 90 Degree Breather	38	6	97861	INSULATOR	10	17
97934	SCREW (.500-20 x 5.370) Special	64	12	98257	SCREW (.312-18 x .500)	54	5
98261	SCREW (.375-16 x .750)	6	9	98261	SCREW (.375-16 x .750)	6	11
98261	SCREW (.375-16 x .750)	10	4	98261	SCREW (.375-16 x .750)	16	27
98261	SCREW (.375-16 x .750)	54	6	98508	SCREW (.375-16 x 3.00)	28	7
986021	DEFLECTOR Oil	48	8	98794	SCREW (.375-16 x 1.00)	58	12
987981	STUD (.250-20/.250-28 x 2.120)	50	2	98828	SPACER	50	4
98869A11	ELECTRODE ASSEMBLY	62	1	98880	SPRING	50	7
991551	THERMOSTAT	32	11	99297A1	MOUNT ASSEMBLY Rubber	64	2
99298	NUT (.500-20)	64	17	99299	SPACER (.520 x .870 x .630)	64	14
99322	SPACER	64	3	NSS	NOT SOLD SEPARATE Cylinder Block Assembly	40	1