

**Parts Manual**

**Cat.# 90-809994965**

**Revised 09-12-2020**

# TABLE OF CONTENTS

Cat.# 90-809994965

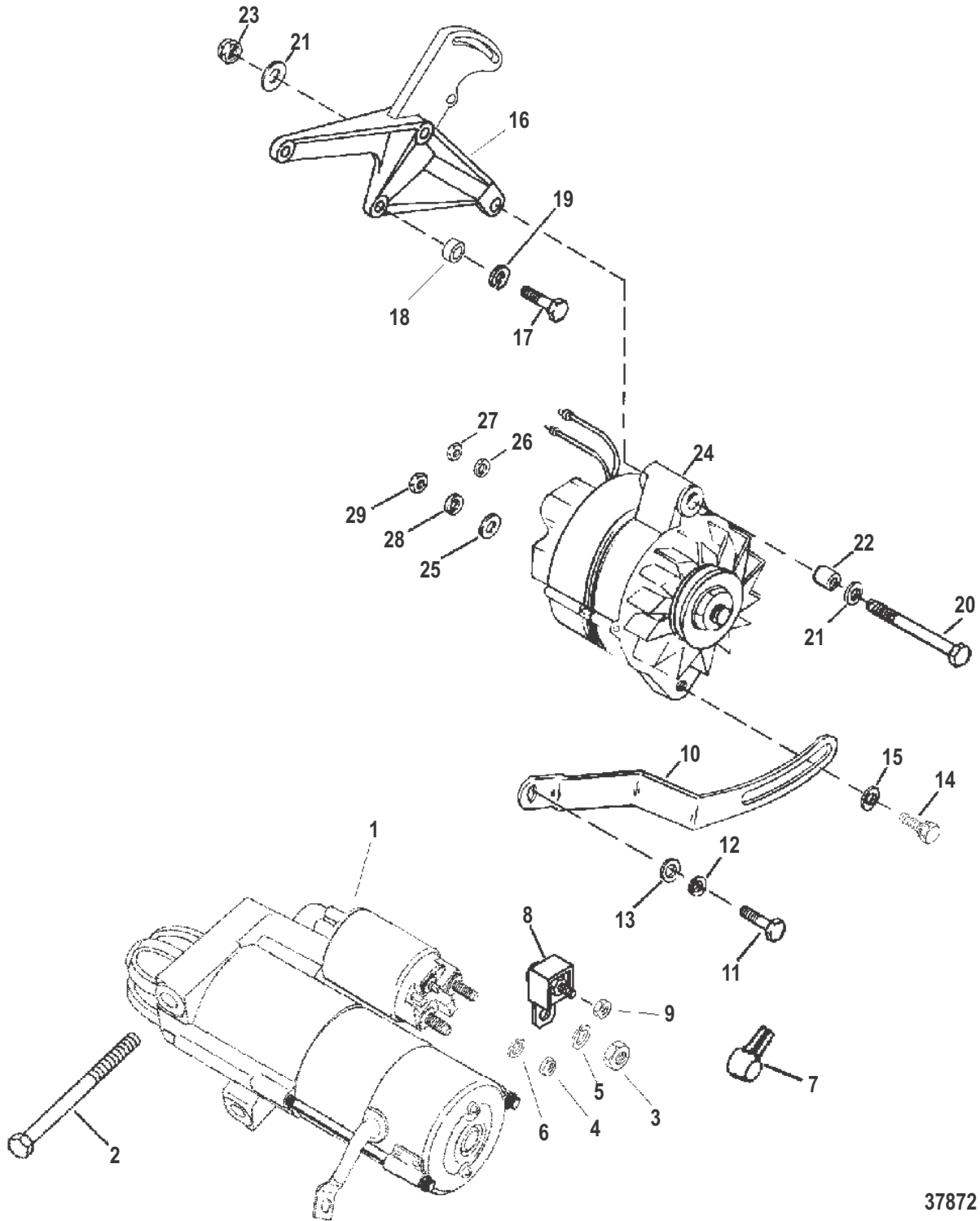
MISCELLANEOUS INFORMATION.....	1
STARTER AND ALTERNATOR.....	3
STARTER MOTOR (PG260).....	5
ALTERNATOR (MANDO).....	7
WIRING HARNESS (ENGINE).....	9
WIRING HARNESS (EFI).....	11
ELECTRICAL BOX AND COMPONENTS.....	13
DISTRIBUTOR AND IGNITION COMPONENTS.....	17
SENDERS AND HARNESS BRACKET.....	21
FUEL PUMP & FUEL FILTER (VST FUEL SYSTEM) 0K147349 & BELOW.....	23
VAPOR SEPARATOR TANK AND FUEL RAIL.....	25
VAPOR SEPARATOR TANK.....	27
FUEL PUMP & FUEL COOLER (FUEL COOLED SYS) SN 0K147350 & UP.....	29
FUEL FILTER (FUEL COOLED SYSTEM) S/N 0K147350 & UP.....	31
INTAKE MANIFOLD AND INTAKE PLENUM.....	33
EXHAUST MANIFOLD AND EXHAUST ELBOW.....	37
THERMOSTAT HOUSING (VST FUEL SYSTEM) S/N 0K147349 & BELOW.....	41
THERMOSTAT HOUSING (FUEL COOLED SYSTEM) SN 0K147349 & BELOW.....	43
SEA WATER PUMP (VST FUEL SYSTEM) (S/N 0K147349 & BELOW).....	47
SEA WATER PUMP (FUEL COOLED SYSTEM) (S/N 0K147350 & UP).....	51
CYLINDER HEAD AND ROCKER COVER.....	53
CYLINDER BLOCK AND CAMSHAFT.....	55
CRANKSHAFT, PISTONS AND CONNECTING RODS.....	57
WATER PUMP AND FRONT COVER.....	59
OIL PAN AND OIL PUMP.....	61
SHIFT BRACKET.....	63
OIL FILTER AND ADAPTOR.....	65
POWER STEERING COMPONENTS.....	67
ENGINE MOUNTING.....	69
EXHAUST SYSTEM.....	71
FLYWHEEL HOUSING.....	73
OIL RESERVOIR BOTTLE AND BRACKET.....	75
Swiss Emissions Parts (BSO1 And SAV1).....	77

MISCELLANEOUS INFORMATION

**MISCELLANEOUS INFORMATION**

<b>Ref #</b>	<b>Part Class</b>	<b>Part Number</b>	<b>Description</b>	<b>Comments</b>	<b>Qty</b>	<b>Note</b>
-	0090	809994965	PARTS MANUAL 7.4 LX (EFI-MPI) Bravo (GEN VI)		1	
-	0090	860171971	OWNERS GUIDE		1	
-	0037	805364A1	DECAL SET Color Coding (Color Code)		1	

# STARTER AND ALTERNATOR



37872

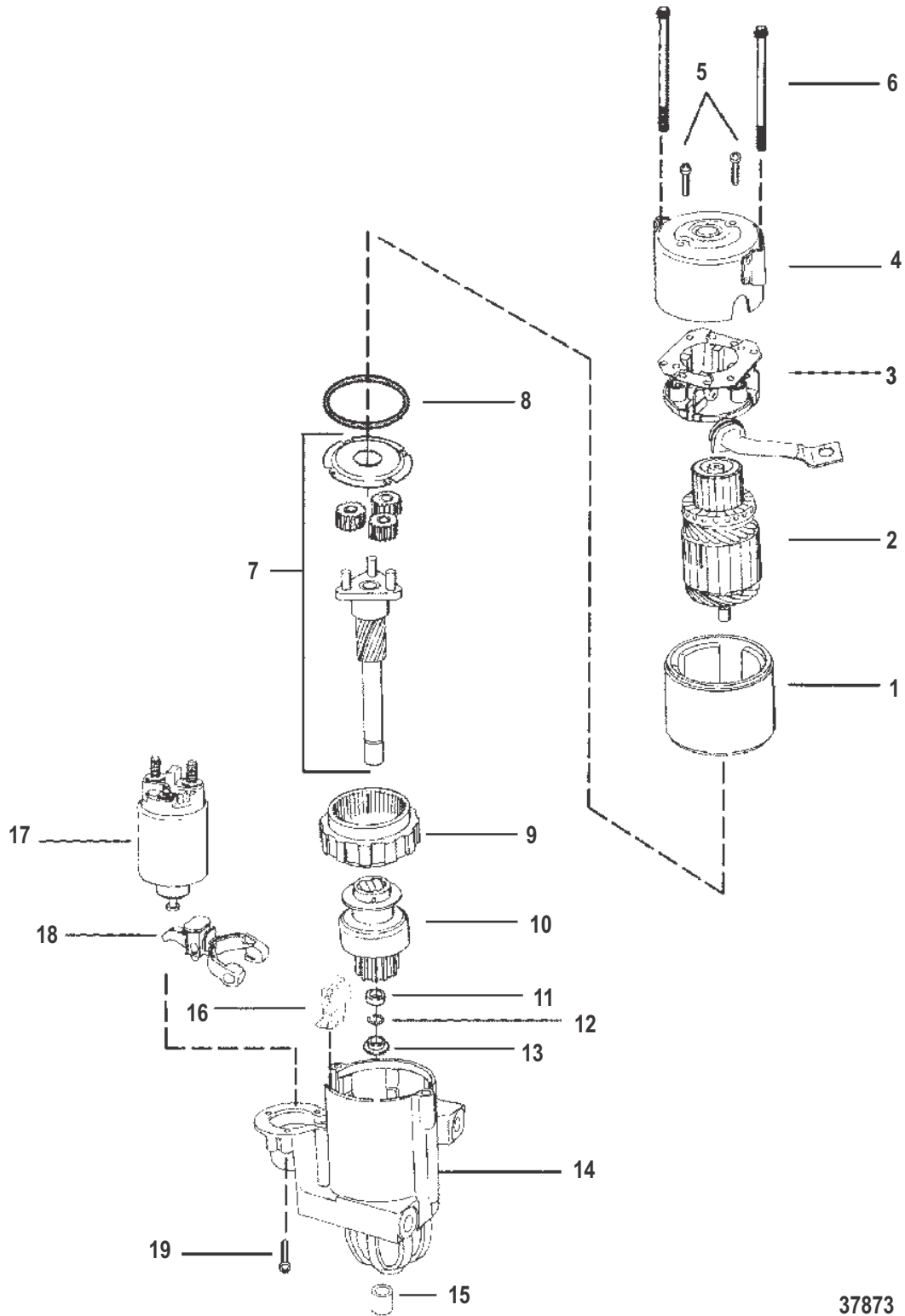
## STARTER AND ALTERNATOR

Ref #	Part Class	Part Number	Description	Comments	Qty	Note
1	0050	806964A3	STARTER MOTOR ASSEMBLY	(SEE "STARTER MOTOR (PG260)" FOR BREAKDOWN)	1	[1]
2	0010	8053432	SCREW (.375-16 x 4.33)		2	
3	0011	806949	NUT (M8-1.5)		1	
4	0011	400211	NUT (M5) Stainless Steel		1	
5	0013	39107	LOCKWASHER (.312-24)		1	
6	0013	26996	LOCKWASHER (#10) Stainless Steel		1	
7	0085	79695	BOOT Insulator - Black		1	
8	0088	79023A91	FUSE ASSEMBLY 90 Ampere		1	
9	0011	21825	NUT (.250-28)		1	
10	0000	85013T	BRACE Alternator Adjusting		1	
11	0010	47462	SCREW (.437-14 x 1.250)		1	
12	0013	32993	LOCKWASHER (.437)		1	
13	0012	31263	WASHER		1	
14	0010	29198	SCREW AND LOCKWASHER (.312-18 x .875)		1	
15	0012	26168	WASHER		1	
16	0000	806394A1	BRACKET Alternator & Power Steering		1	
17	0010	47462	SCREW (.437-14 x 1.250)		1	
17	0010	91903	SCREW (.437-14 x 1.750)		2	
18	0023	905201	SPACER (.750 x .250)		1	
19	0012	22248	WASHER (.453 x .875 x .060)		3	
20	0010	48308	SCREW (.375-24 x 3.750)		1	
21	0012	20553	WASHER (.406 x .734 x .063)		2	
22	0023	33186	BUSHING		1	
23	0011	23161	NUT (.375-24)		1	
24	0000	805884T	ALTERNATOR	(SEE "ALTERNATOR (MANDO)" FOR BREAKDOWN)	1	
25	0012	96457	WASHER Phenolic (.27 x .81 x .062) Phenolic		1	
26	0013	26996	LOCKWASHER (#10) Stainless Steel		1	
27	0011	79989	NUT (#10-24) Stainless Steel		1	
28	0013	26992	LOCKWASHER (.250) Stainless Steel		1	
29	0011	94330	NUT (.250-20) Brass		1	

## PART NOTES:

- [1] - Alternate part numbers:  
806964A 3QS  
864340R02Reman

# STARTER MOTOR (PG260)



37873

## STARTER MOTOR (PG260)

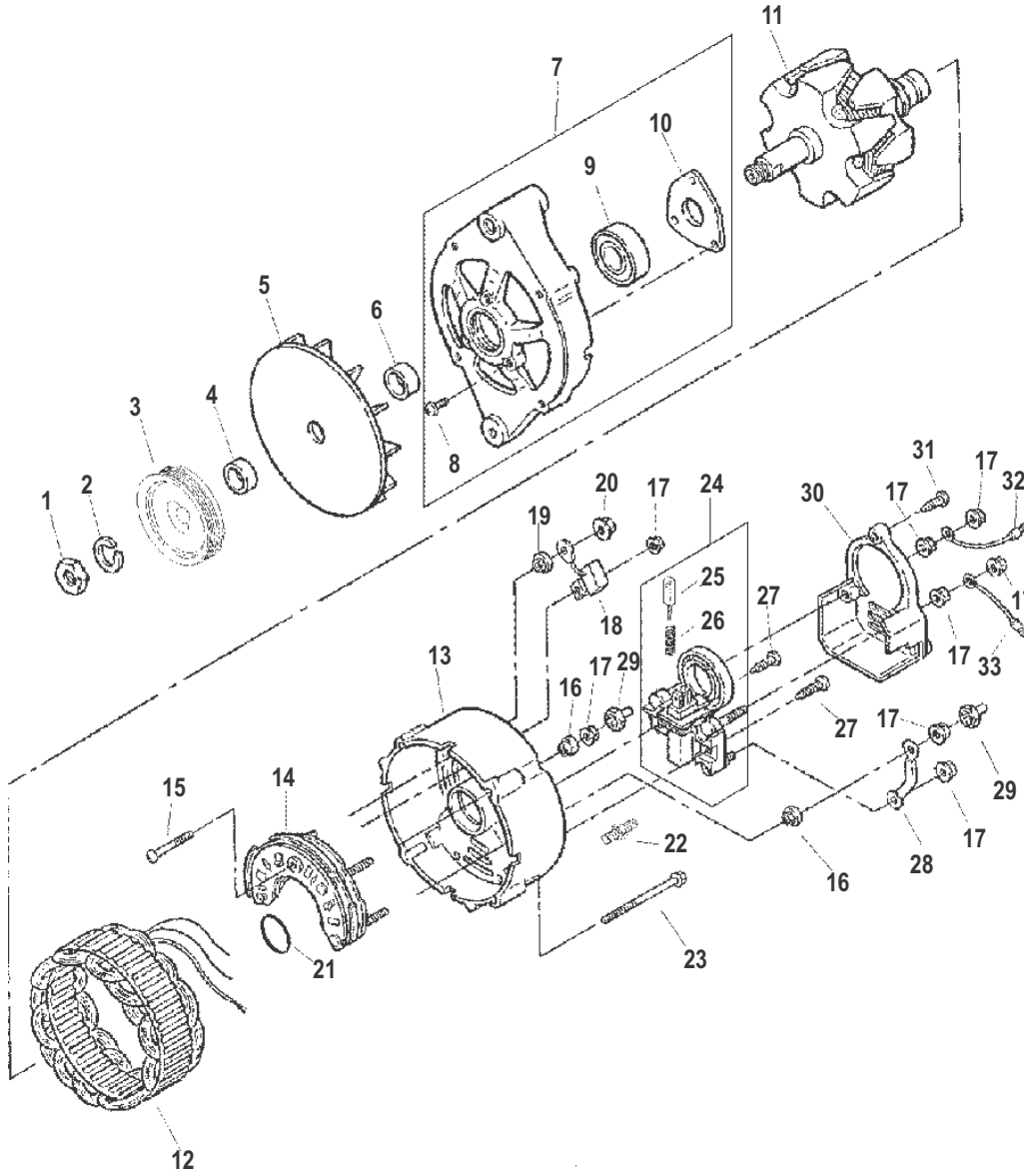
Ref #	Part Class	Part Number	Description	Comments	Qty	Note
1	0050	806964A3	STARTER MOTOR ASSEMBLY		1	[1]
2		NSS	NOT SOLD SEPARATE ARMATURE		1	[2]
3		NSS	NOT SOLD SEPARATE BRUSH HOLDER AND SPRING		1	[2]
4		NSS	NOT SOLD SEPARATE FRAME		1	[2]
5		NSS	NOT SOLD SEPARATE SCREW		2	[2]
6		NSS	NOT SOLD SEPARATE BOLT, Thru		2	[2]
7		NSS	NOT SOLD SEPARATE SHAFT AND GEAR		1	[2]
8		NSS	NOT SOLD SEPARATE GASKET		1	[2]
9		NSS	NOT SOLD SEPARATE GEAR		1	[2]
10		NSS	NOT SOLD SEPARATE DRIVE		1	[2]
11	0000	33291	COLLAR		1	
12	0053	33290	RING Retaining		1	
13		NSS	NOT SOLD SEPARATE COLLAR, Thrust		1	[2]
14	0000	809459	HOUSING		1	
15	0023	814476	BUSHING		1	
16		NSS	NOT SOLD SEPARATE GROMMET		1	[2]
17	0000	809463A1	SOLENOID KIT		1	
18		NSS	NOT SOLD SEPARATE LEVER		1	[2]
19		NSS	NOT SOLD SEPARATE SCREW		3	[2]

## PART NOTES:

- [1] - Alternate part numbers:  
806964A 3QS  
864340R02Reman
- [2] - NOT SOLD SEPARATE



# ALTERNATOR (MANDO)



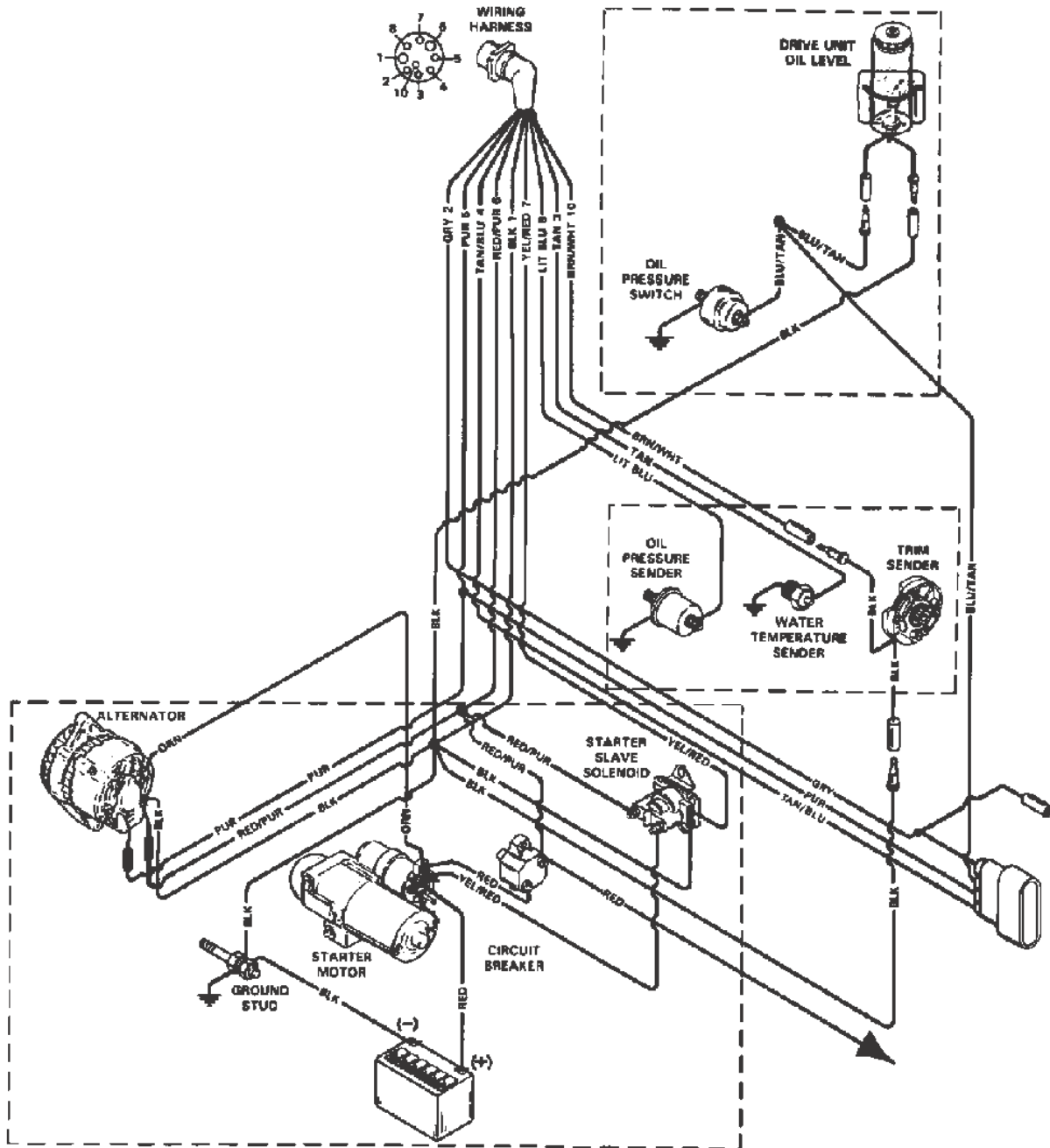
14148

## ALTERNATOR (MANDO)

Ref #	Part Class	Part Number	Description	Comments	Qty	Note
-	0000	805884T	ALTERNATOR		1	
1	0011	809136	NUT		1	
2	0013	809137	LOCKWASHER		1	
3	0000	809134	PULLEY		1	
4	0023	809135	SPACER		1	
5	0000	809139	FAN ASSEMBLY		1	
6	0023	809140	SPACER		1	
7	0000	809151	BRACKET ASSEMBLY Front		1	
8	0010	809154	SCREW		3	
9	0030	809153	BEARING Ball		1	
10	0000	809152	RETAINER		1	
11	0000	809150	ROTOR		1	
12	0000	809133	STATOR		1	
13	0000	809155	BRACKET ASSEMBLY Rear		1	
14	0000	809162	RECTIFIER		1	
15	0010	809160	SET SCREW		1	
16	0000	809146	MOLD		2	
17	0011	809143	NUT		8	
18	0000	809161	CONDENSER		1	
19	0000	809158	MOLD		1	
20	0011	809157	NUT		1	
21	0025	809156	O-RING		1	
22	0010	809159	BOLT		1	
23	0010	809138	BOLT Thru		4	
24	0000	809163	REGULATOR ASSEMBLY		1	
25	0000	809164	BRUSH		2	
26	0024	809165	SPRING		2	
27	0010	809141	SCREW		2	
28	0000	809142	TERMINAL		1	
29	0000	809149	CAP		2	
30	0000	809144	COVER		1	
31	0010	809145	SET SCREW		1	
32	0084	809148	LEAD WIRE (Black)		1	
33	0084	809147	LEAD WIRE (Red)		1	

ALTERNATOR (MANDO)

# WIRING HARNESS (ENGINE)



38605

**Cat.# 90-809994965**

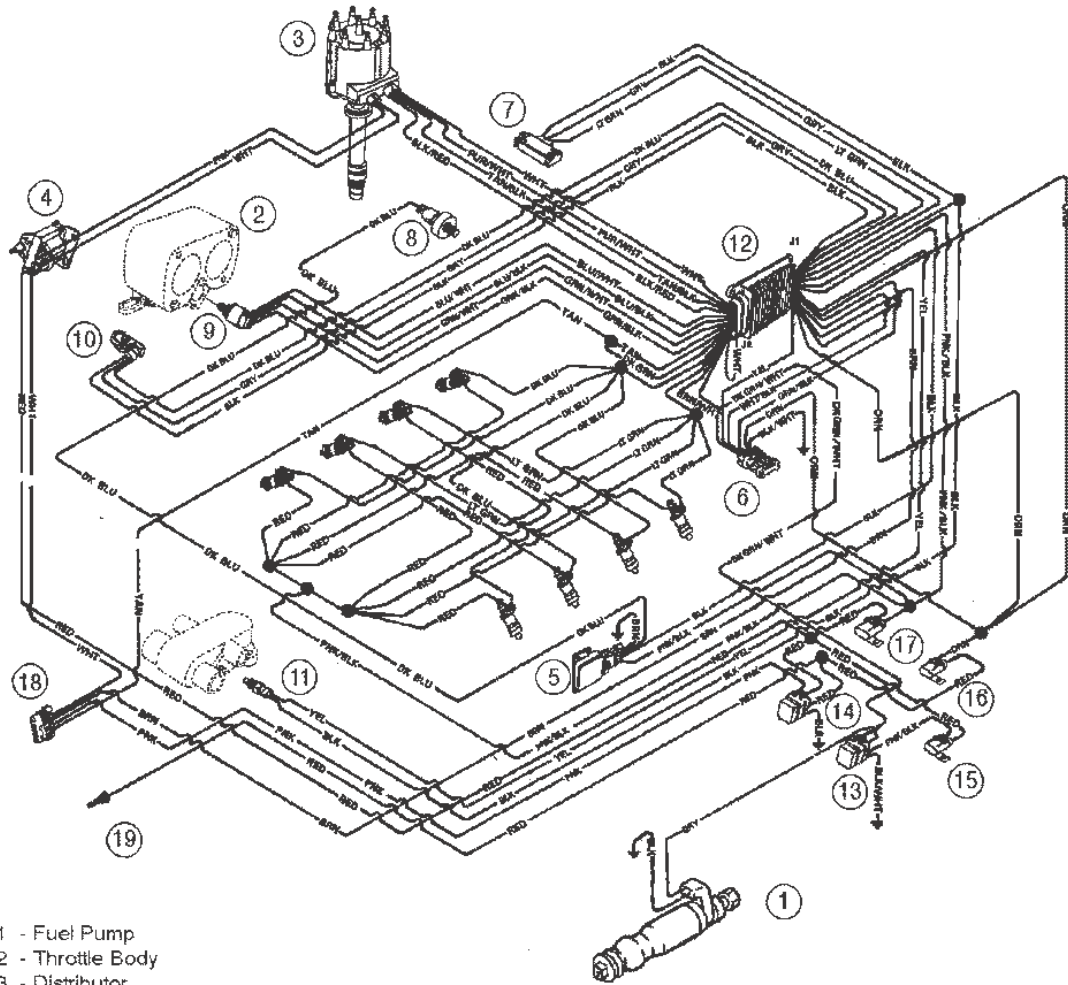
**WIRING HARNESS (ENGINE)**

Ref #	Part Class	Part Number	Description	Comments	Qty	Note
-	0084	806217A12	HARNESS ASSEMBLY		1	

---

WIRING HARNESS (ENGINE)

# WIRING HARNESS (EFI)



- 1 - Fuel Pump
- 2 - Throttle Body
- 3 - Distributor
- 4 - Coil
- 5 - Electronic Spark Control (KS) Module
- 6 - Data Link Connector (DLC)
- 7 - Manifold Absolute Pressure (MAP) Sensor
- 8 - Knock Sensor
- 9 - Idle Air Control (IAC)
- 10- Throttle Position (TP) Sensor
- 11- Engine Coolant Temperature (ECT) Sensor
- 12- Electronic Control Module (ECM)
- 13- Fuel Pump Relay
- 14- Ignition/System Relay
- 15- Fuse (15 Amp) Fuel Pump
- 16- Fuse (15 Amp) ECM/DLC/Battery
- 17- Fuse (10 Amp) ECM/Injector/Ignition/Knock Module
- 18- Harness Connector To Starting/Charging Harness
- 19- Positive (+) Power Wire To Engine Circuit Breaker

35346

**Cat.# 90-809994965**

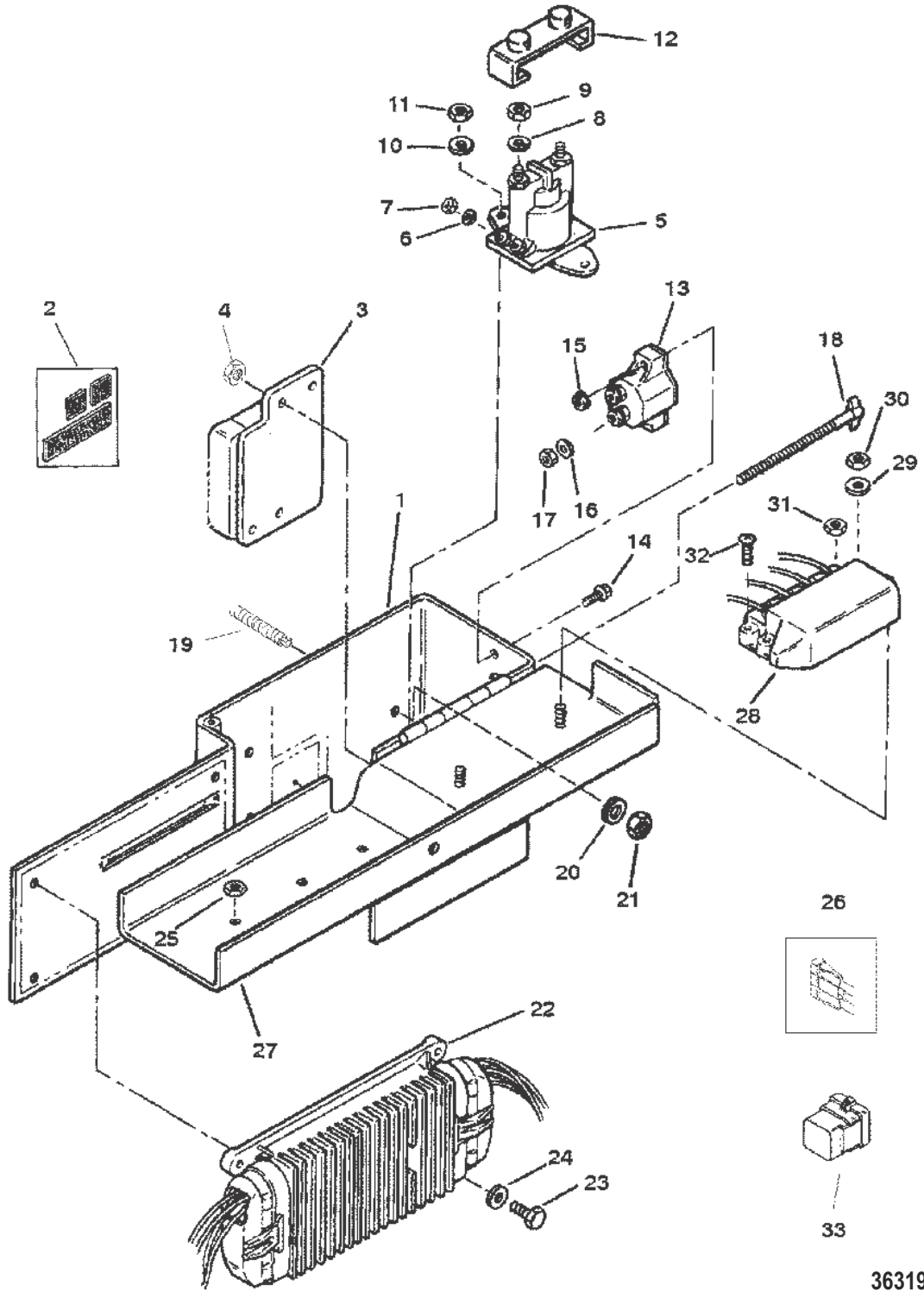
## WIRING HARNESS (EFI)

Ref #	Part Class	Part Number	Description	Comments	Qty	Note
-	0084	860226A2	HARNESS ASSEMBLY Engine		1	[1]

**PART NOTES:**

[1] - SUPERSEDES TO ANOTHER PART NUMBER

# ELECTRICAL BOX AND COMPONENTS



36319

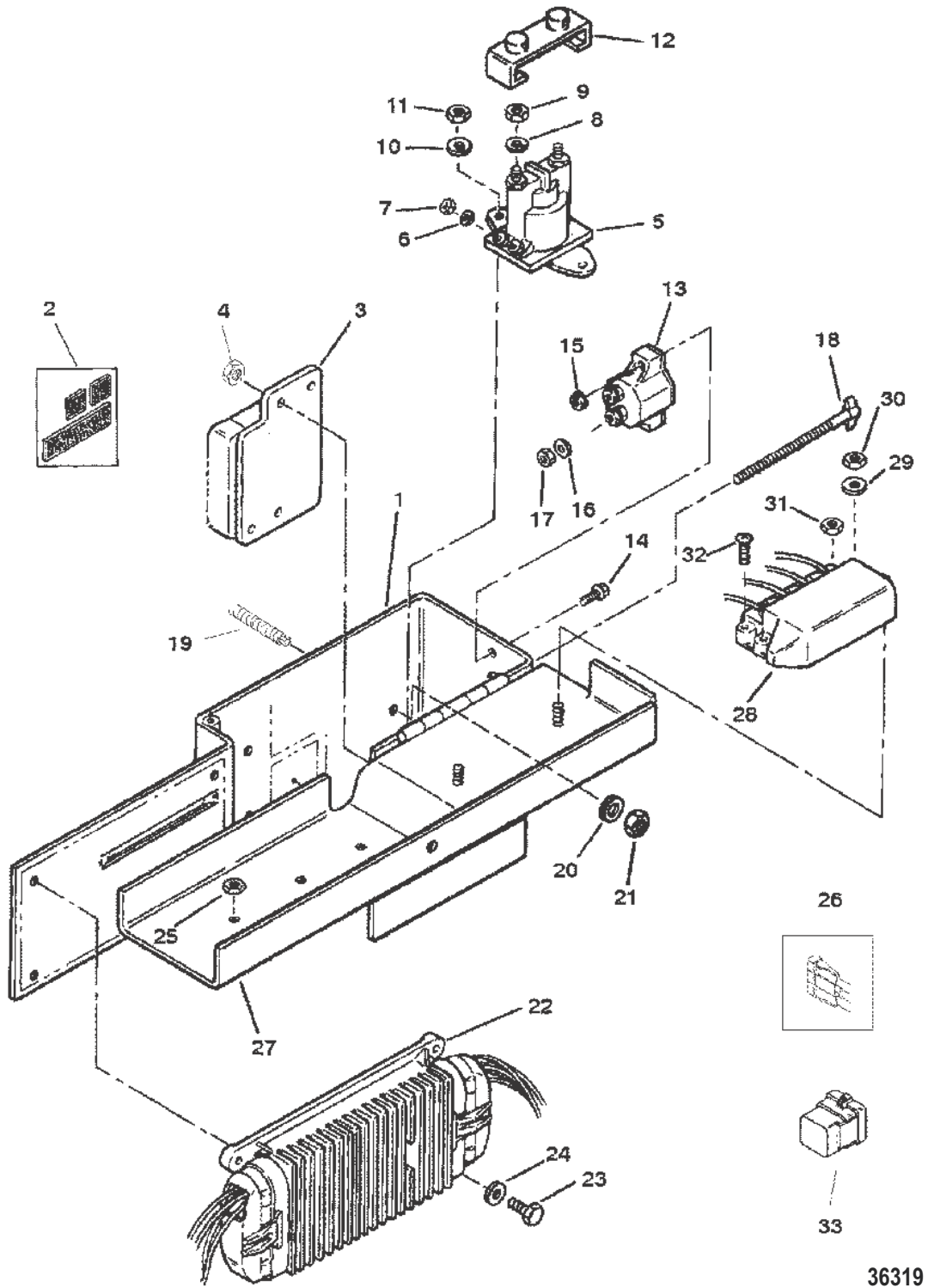
## ELECTRICAL BOX AND COMPONENTS

Ref #	Part Class	Part Number	Description	Comments	Qty	Note
1	0000	807323A5	BOX ASSEMBLY Electrical Components		1	
2	0000	806762A1	VELCRO KIT		1	
3	0000	805443T	MODULE ASSEMBLY Spark Control		1	
4	0011	64015	NUT (.250-20)		1	
5	0089	96054	SOLENOID ASSEMBLY Starter		1	
6	0013	26995	LOCKWASHER (#8) Stainless Steel		2	
7	0011	26419	NUT (#8-32) Brass		2	
8	0013	26992	LOCKWASHER (.250) Stainless Steel		2	
9	0011	94330	NUT (.250-20) Brass		2	
10	0012	35462	WASHER (.2656 x .625 x .0625) Stainless Steel		2	
11	0011	64015	NUT (.250-20)		2	
12	0085	97861	INSULATOR Starter Solenoid		1	
13	0088	11178	BREAKER Circuit - 50 Ampere		1	
14	0010	45862	SCREW (#10-32 x .875)		2	
15	0011	61356	NUT (#10-32) Reduced Hex		2	
16	0013	26996	LOCKWASHER (#10) Stainless Steel		2	
17	0011	68219	NUT (#10-32) Stainless Steel		2	
18	0000	805615A2	THUMB SCREW ASSEMBLY Thumb		1	
19	0023	92152	SPACER (.27 x .75 x .38)		3	
20	0012	35462	WASHER (.2656 x .625 x .0625) Stainless Steel		3	
21	0011	64015	NUT (.250-20)		3	
22	0077	807268T3	ECM Engine Control Module	[0K147349] & Below	1	[1]
22	0077	860251T1	ECM Engine Control Module	[0K147350] & Up	1	[2]
23	0010	76596	SCREW (.250-20 x 1.250)		4	
24	0012	20533	WASHER		4	
25	0011	805562	NUT (#10-24)		3	
26	0000	805704	FUSE 15 Ampere		1	
26	0000	805703	FUSE 10 Ampere		1	
27	0000	805439T3	LID Electrical Box		1	
28	0000	42600A3	CONTROLLER ASSEMBLY Mercathode		1	
29	0012	56681	WASHER (.203 x .500 x .032)		2	
30	0011	805562	NUT (#10-24)		2	
31	0011	68219	NUT (#10-32) Stainless Steel		4	
32	0010	62568	SCREW (#10-16 x .375)		1	
33	0000	807057	RELAY Fuel Pump		1	
33	0000	807057	RELAY Fuel Pump Ignition System		1	

## ELECTRICAL BOX AND COMPONENTS



# ELECTRICAL BOX AND COMPONENTS

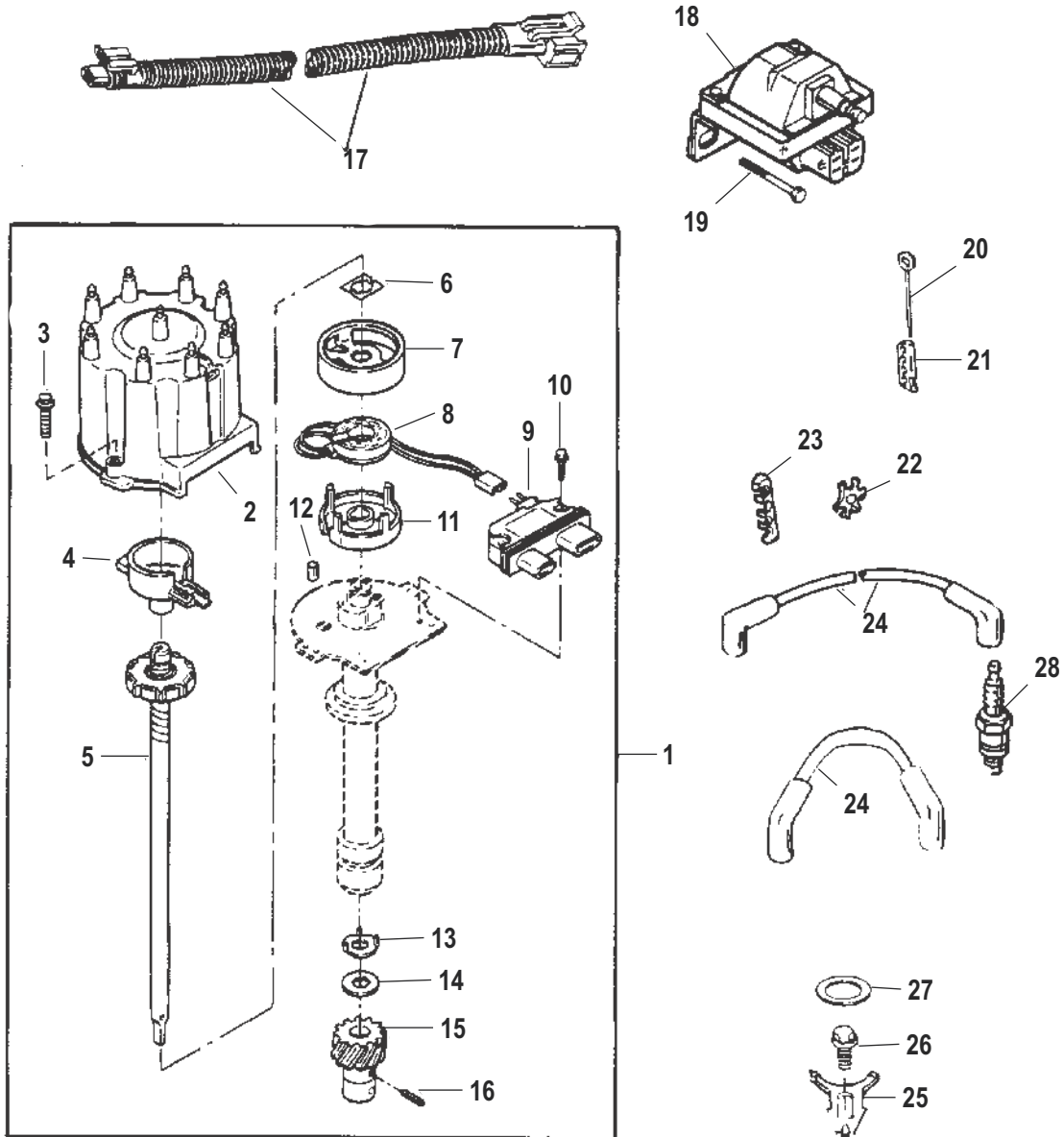


## ELECTRICAL BOX AND COMPONENTS

**PART NOTES:**

- [1] - Alternate part numbers:
  - 807268R 3Reman
  - 807268T 3QS  
SUPERSEDES TO ANOTHER PART NUMBER
- [2] - Alternate part numbers:
  - 860251R 1Reman
  - 860251T 1QS  
PART IS NEW AND LISTED FOR THE FIRST TIME

# DISTRIBUTOR AND IGNITION COMPONENTS



14073

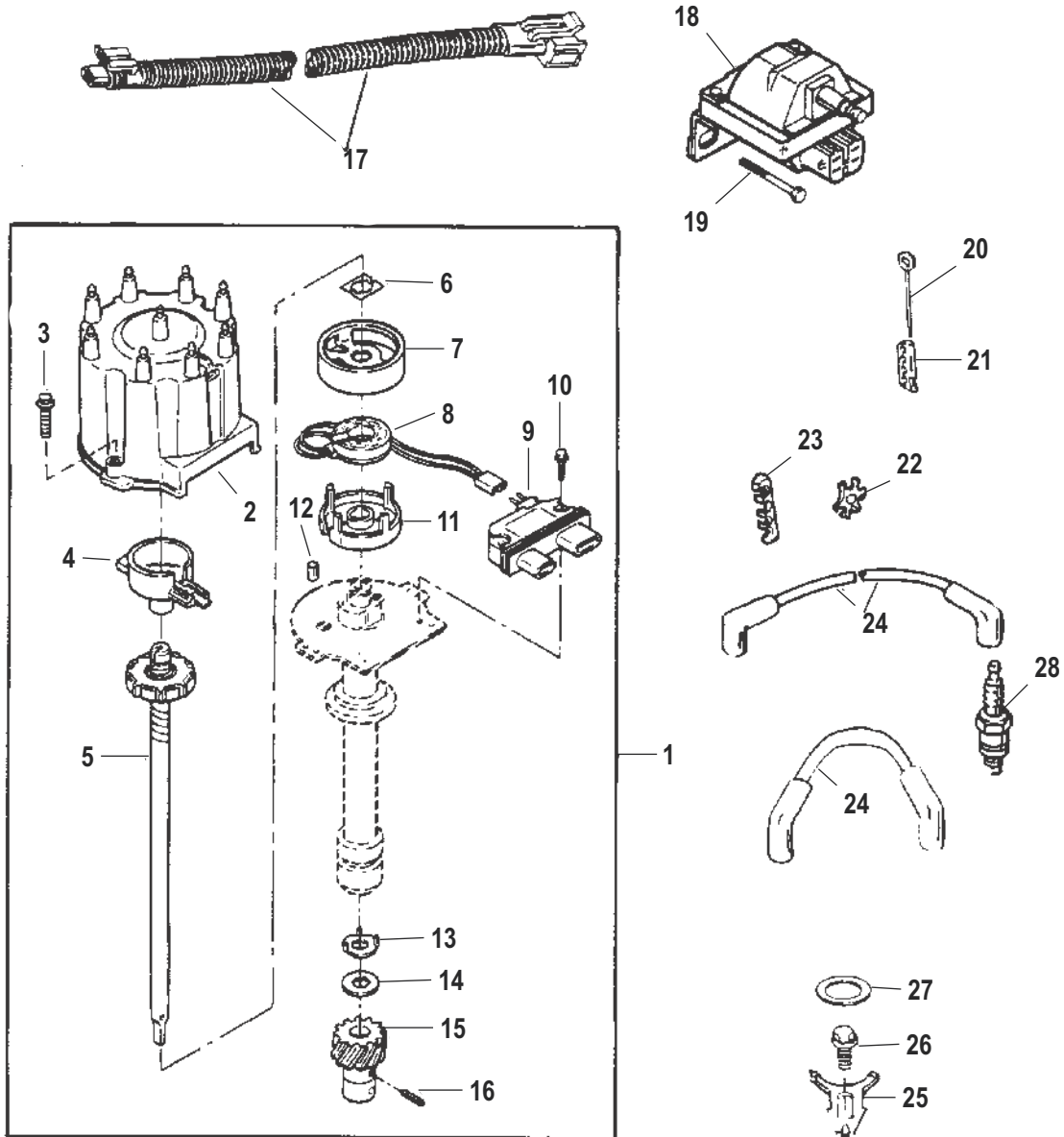
## DISTRIBUTOR AND IGNITION COMPONENTS

Ref #	Part Class	Part Number	Description	Comments	Qty	Note
1	0000	805222A1	DISTRIBUTOR ASSEMBLY		1	
2	0000	808483	CAP		1	[1]
3	0010	808491	SCREW		2	
4	0000	808484	ROTOR		1	[2]
5	0000	808485	SHAFT ASSEMBLY Main		1	
6	0000	808487	RETAINER		1	
7	0000	808486	SHIELD		1	
8	0000	811639	COIL		1	
9	0000	811637	MODULE		1	
10	0010	811638	SCREW		2	
11	0000	811641	POLE PIECE		1	
12	0017	808488	PIN		1	
13	0012	46350	WASHER		1	
14	0012	808489	WASHER		1	
15	0043	808490	GEAR		1	
16	0017	34109	PIN		1	
17	0084	817376T	HARNES ASSEMBLY Distributor Module to Ignition Coil		1	
18	0000	817378T	COIL Ignition		1	
19	0010	805189	SCREW (.375-16 x .750)		2	
20	0016	90096A1	STUD ASSEMBLY (#10-32 x Special)		2	
21	0054	72821	RETAINER		2	
22	0000	54676	RETAINER Two Wire		2	
23	0000	32783	RETAINER Three Wire		2	
24	0084	816608A68	CABLE KIT Ignition (Spark Plugs & Coil)		1	[3]
25	0000	52185	CLAMP		1	
26	0010	805559	SCREW (.375-16 x .875) Stainless Steel		1	
27	0027	344863	GASKET Distributor		1	[4]
28	0033	59571	SPARK PLUG		8	[5]
-	0027	805396A95	GASKET SET Overhaul		1	

## PART NOTES:

- [1] - Alternate part numbers:  
808483Service Part  
808483K 1MPP Kit  
808483Q 1QS Kit
- [2] - Alternate part numbers:  
808483K 1MPP Kit  
808483Q 1QS Kit  
808484Service Part

# DISTRIBUTOR AND IGNITION COMPONENTS

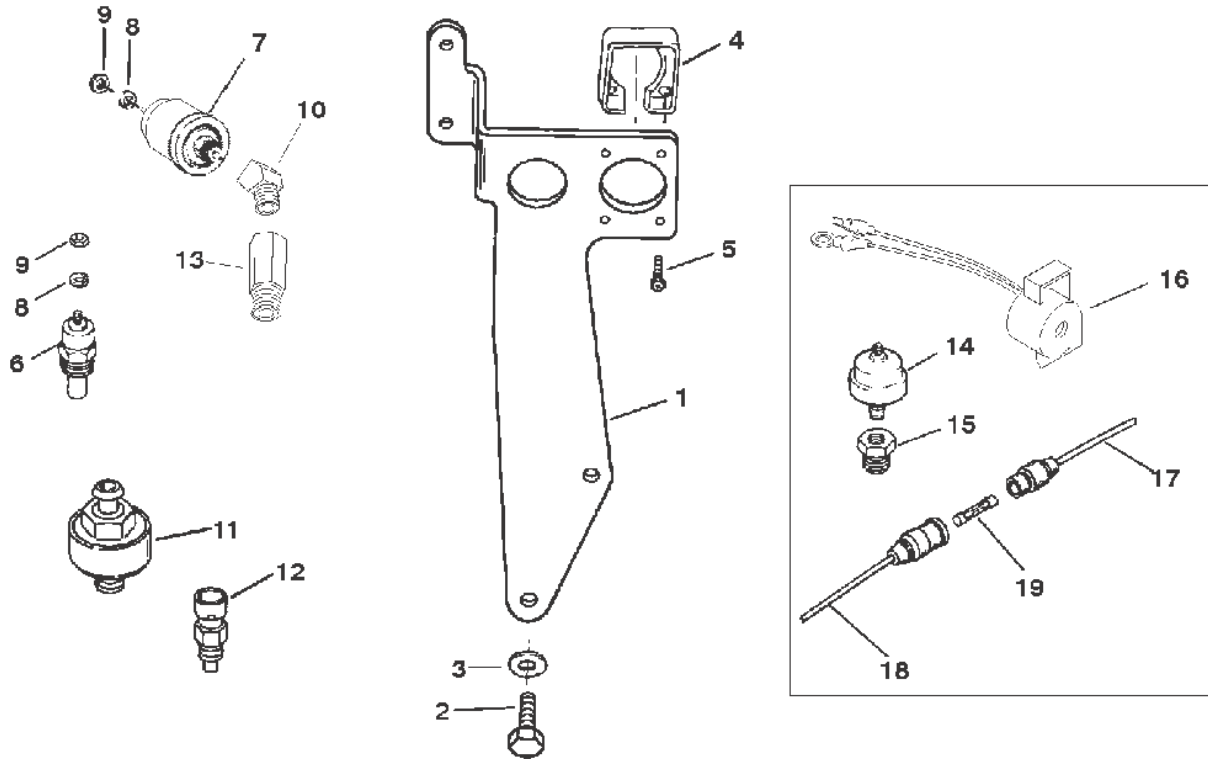


14073

## **DISTRIBUTOR AND IGNITION COMPONENTS**

- [3] - Alternate part numbers:
  - 816608A68Service Part
  - 816608K68MPP
  - 816608Q68QS
- [4] - COMPONENT OF OVERHAUL GASKET SET
- [5] - Alternate part numbers:
  - 59571QS
  - 59571BBulk Pack

# SENDERS AND HARNESS BRACKET



38606

## SENDERS AND HARNESS BRACKET

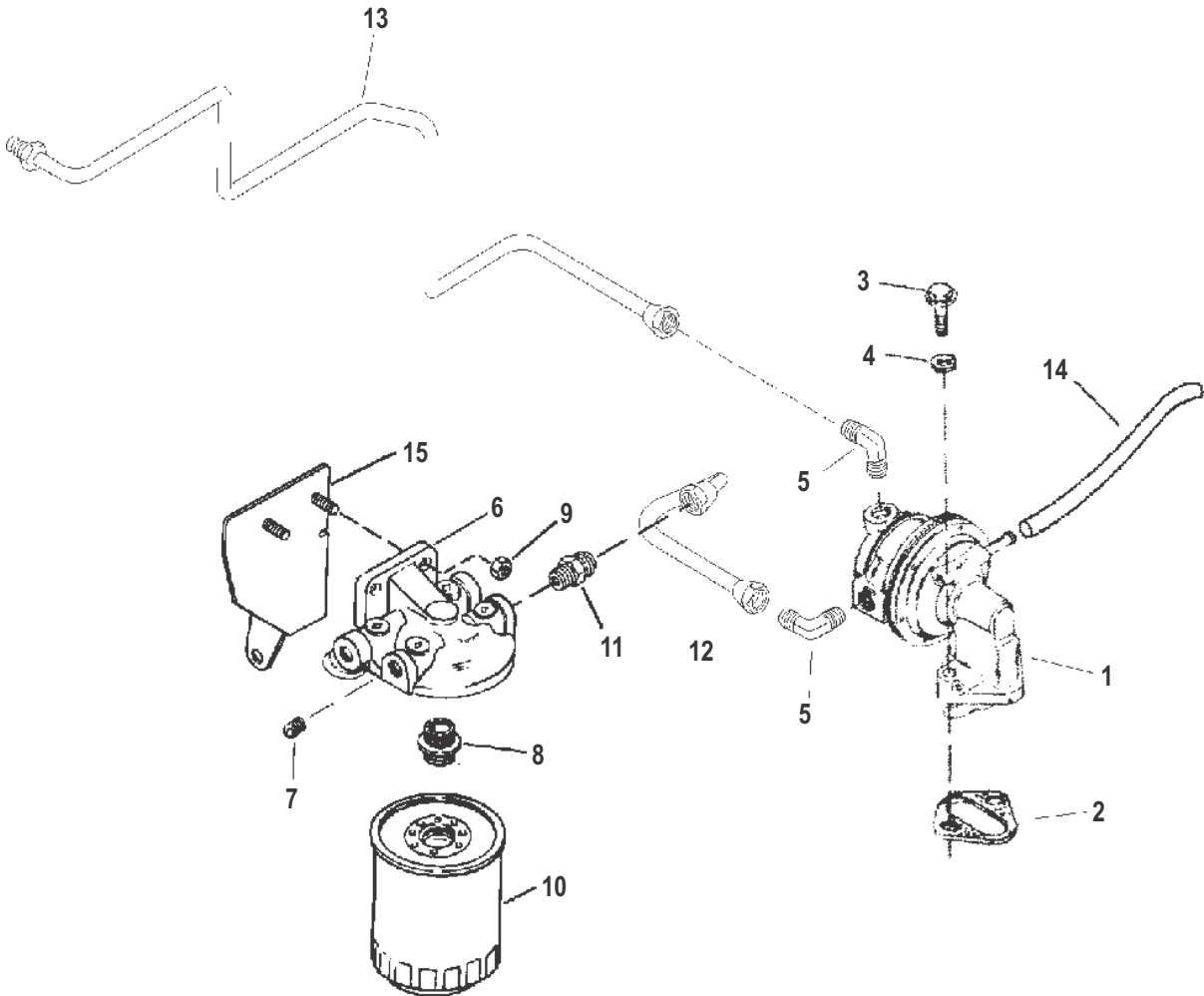
Ref #	Part Class	Part Number	Description	Comments	Qty	Note
1	0000	805441T1	BRACKET/LIFTING EYE (Rear)		1	
2	0010	47461	SCREW (.437-14 x 1.00)		2	
3	0012	22248	WASHER (.453 x .875 x .060)		2	
4	0000	26079A2	PLATE KIT Wire Harness Mount		1	
5	0010	15001	SCREW (#8-16 x .875)		4	
6	0000	97257A1	SENDER ASSEMBLY Water Temperature		1	
6	0000	49734A1	SENDER ASSEMBLY Water Temperature	(DUAL STATION)	OPT.	[1]
7	0000	815425	SENDER ASSEMBLY Oil Pressure		1	
7	0000	37293	SENDER ASSEMBLY Oil Pressure	(DUAL STATION)	OPT.	[1]
8	0013	26996	LOCKWASHER (#10) Stainless Steel		2	
9	0011	68219	NUT (#10-32) Stainless Steel		2	
10	0022	29085	FITTING Elbow (45 Degree)		1	
11	0000	805544T	SENSOR ASSEMBLY Knock		1	
12	0000	805218T	SENSOR Coolant Temperature		1	
13	0022	805059	FITTING Reducer		1	
14	0087	805605A1	SWITCH ASSEMBLY Oil Pressure	AUDIO WARNING SYSTEM	1	
15	0022	64013	FITTING (.375 Male To .125 Female)	AUDIO WARNING SYSTEM	1	
16	0000	816492A6	ALARM KIT	AUDIO WARNING SYSTEM	1	
17	0084	95084A9	CABLE ASSEMBLY (91.00 Inches) Red/Purple Strip (Male)	AUDIO WARNING SYSTEM	1	
18	0084	95084A10	CABLE ASSEMBLY (5.00 Inches) Red (Female)	AUDIO WARNING SYSTEM	1	
19	0088	79091	FUSE 20 Ampere	AUDIO WARNING SYSTEM	1	

## PART NOTES:

[1] - OPTIONAL



FUEL PUMP & FUEL FILTER (VST FUEL SYSTEM) 0K147349 & BELOW



37886

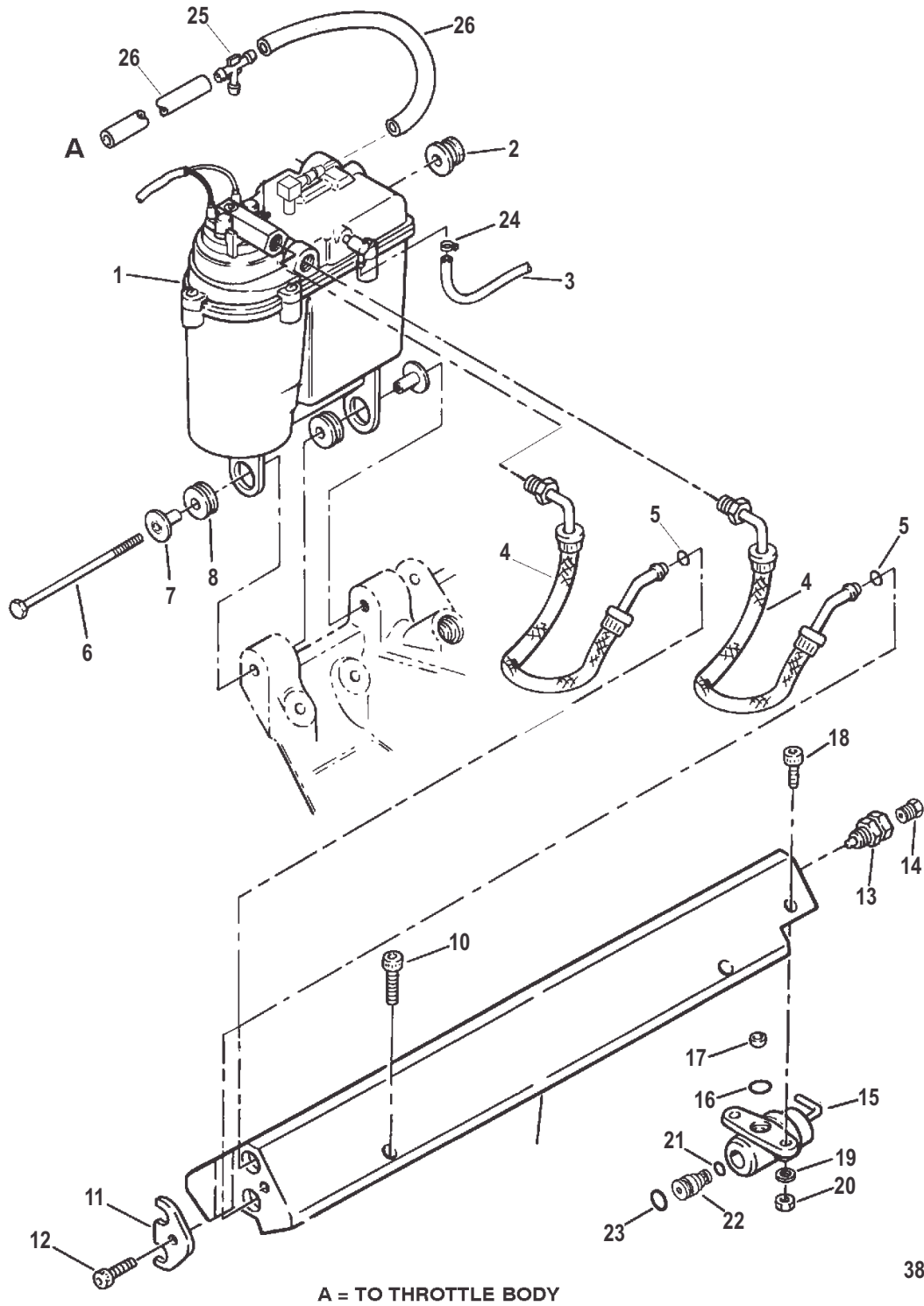
## FUEL PUMP &amp; FUEL FILTER (VST FUEL SYSTEM) 0K147349 &amp; BELOW

Ref #	Part Class	Part Number	Description	Comments	Qty	Note
1	0000	818383T	PUMP ASSEMBLY Fuel		1	
2	0027	34213	GASKET Fuel Pump		1	[1]
3	0010	34354	SCREW (.375-16 x 1.50)		2	
4	0013	35048	LOCKWASHER (.375)		2	
5	0022	43276	ELBOW (90 Degree)		2	
6	0000	89876A3	BASE ASSEMBLY Fuel Filter/Water Seperator		1	
7	0022	32561	PLUG Pipe - Allen Head (.250-18)		2	
8	0022	8161331	FITTING		1	
9	0011	29250	NUT (.312-24)		2	
10	0035	807172	FILTER Fuel/Water Separator		1	[2]
11	0022	42897	FITTING (Straight)		1	
12	0032	805637T	LINE Fuel Fuel Filter to Fuel Pump		1	[3]
13	0032	807079T	LINE Fuel Fuel Pump to VST		1	
14	0032	7381567	TUBING (42.00 Inches Bulk) Fuel Pump to T-fitting		1	
15	0000	805556T1	BRACKET Fuel Filter Base		1	
16	0054	806617	CLIP Hose Fuel Line		1	
17	0022	46982	FITTING (90 Degree) (Inlet Fuel Line)		1	
-	0027	805396A95	GASKET SET Overhaul		1	

## PART NOTES:

- [1] - COMPONENT OF OVERHAUL GASKET SET
- [2] - Alternate part numbers:  
802893QQS  
802893TMPP  
807172Service Part
- [3] - SUPERSEDES TO ANOTHER PART NUMBER

# VAPOR SEPARATOR TANK AND FUEL RAIL



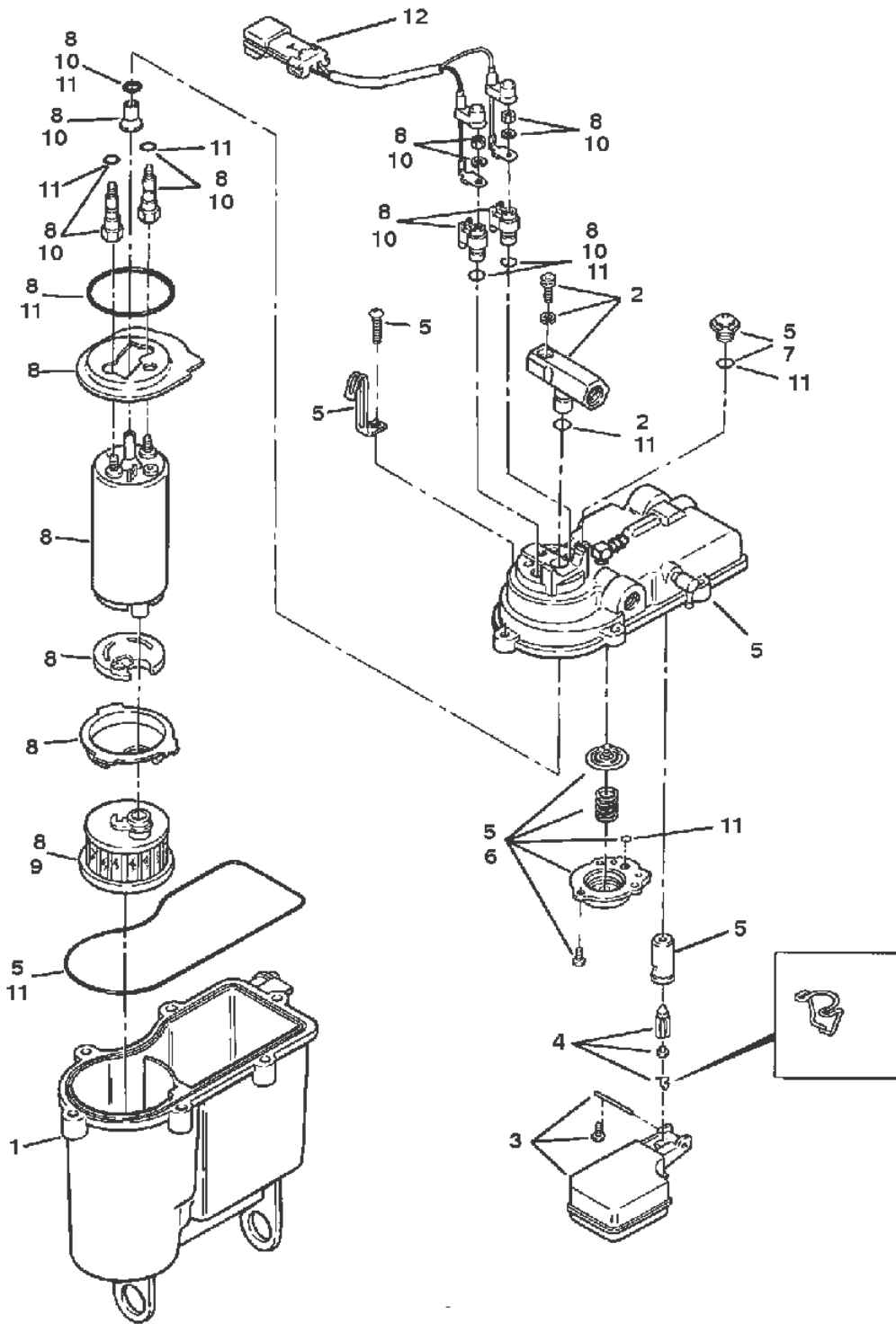
## VAPOR SEPARATOR TANK AND FUEL RAIL

Ref #	Part Class	Part Number	Description	Comments	Qty	Note
1	0000	806787A3	TANK ASSEMBLY Vapor Separator		1	
2	0025	880331	GROMMET		1	
3	0032	80568932	HOSE Vent		1	
4	0032	805435A1	LINE ASSEMBLY Fuel Fuel Rail to VST		2	
5	0025	805970	O-RING		2	[1]
6	0010	805392	SCREW (1/4-20 x 5.0)		1	
7	0023	19064	BUSHING		2	
8	0025	88033	GROMMET		2	
9	0000	805405T	FUEL RAIL Fuel		1	
10	0010	805698	SCREW (1/4-20 x 1.75)		4	
11	0054	805437	CLIP		1	
12	0010	805557	SCREW (5/16-18 x .50)		1	
13	0022	805408	VALVE Rail Pressure Service		1	
14	0022	805515	CAP Shrader Valve - Brass		1	
15	0000	805227A1	REGULATOR ASSEMBLY Fuel Pressure		1	
16	0025	805531	O-RING (.476 x .075)		1	[1]
17	0035	805406	FILTER Pressure Regulator		1	
18	0010	56682	SCREW (#10-24 x .750)		2	
19	0012	89302	WASHER (.203 x .406 x .040)		2	
20	0011	805562	NUT (#10-24)		2	
21	0022	805514A1	FITTING ASSEMBLY Outlet	VST FUEL SYSTEM [OK147349] & Below	1	
21	0022	860348A2	PLUG ASSEMBLY	FUEL COOLED SYSTEM [OK147350] & Up	1	[2]
22	0025	805553	O-RING		1	[1]
23	0025	805407	O-RING (.346 x .075)	VST FUEL SYSTEM [OK147349] & Below	1	[1]
24	0054	815504105	CLAMP Worm Gear (11-18 mm)		2	
25	0022	806689	FITTING Tee		1	
26	0032	7381567	TUBING (42.00 Inches Bulk)		2	
-	0027	805396A95	GASKET SET Overhaul		1	

## PART NOTES:

- [1] - COMPONENT OF OVERHAUL GASKET SET  
 [2] - PART IS NEW AND LISTED FOR THE FIRST TIME

# VAPOR SEPARATOR TANK



38609

## VAPOR SEPARATOR TANK

Ref #	Part Class	Part Number	Description	Comments	Qty	Note
1	0000	806787A3	TANK ASSEMBLY Vapor Separator		1	
2	0000	808502	L-JOINT KIT		1	
3	0000	808506	FLOAT KIT		1	
4	0000	808507	FLOAT VALVE KIT		1	
5	0000	827655	TOP COVER KIT		1	
6	0000	808509	DIAPHRAGM KIT		1	
7	0000	808501	PLUG KIT		1	
8	0000	808505	PUMP KIT Fuel		1	
9	0000	8085041	STRAINER KIT Fuel		1	
10	0000	808503	CONNECTOR KIT Electrical		1	
11	0000	808500	O-RING KIT		1	
12	0000	808510	HARNESS KIT Wiring		1	



## FUEL PUMP &amp; FUEL COOLER (FUEL COOLED SYS) SN 0K147350 &amp; U

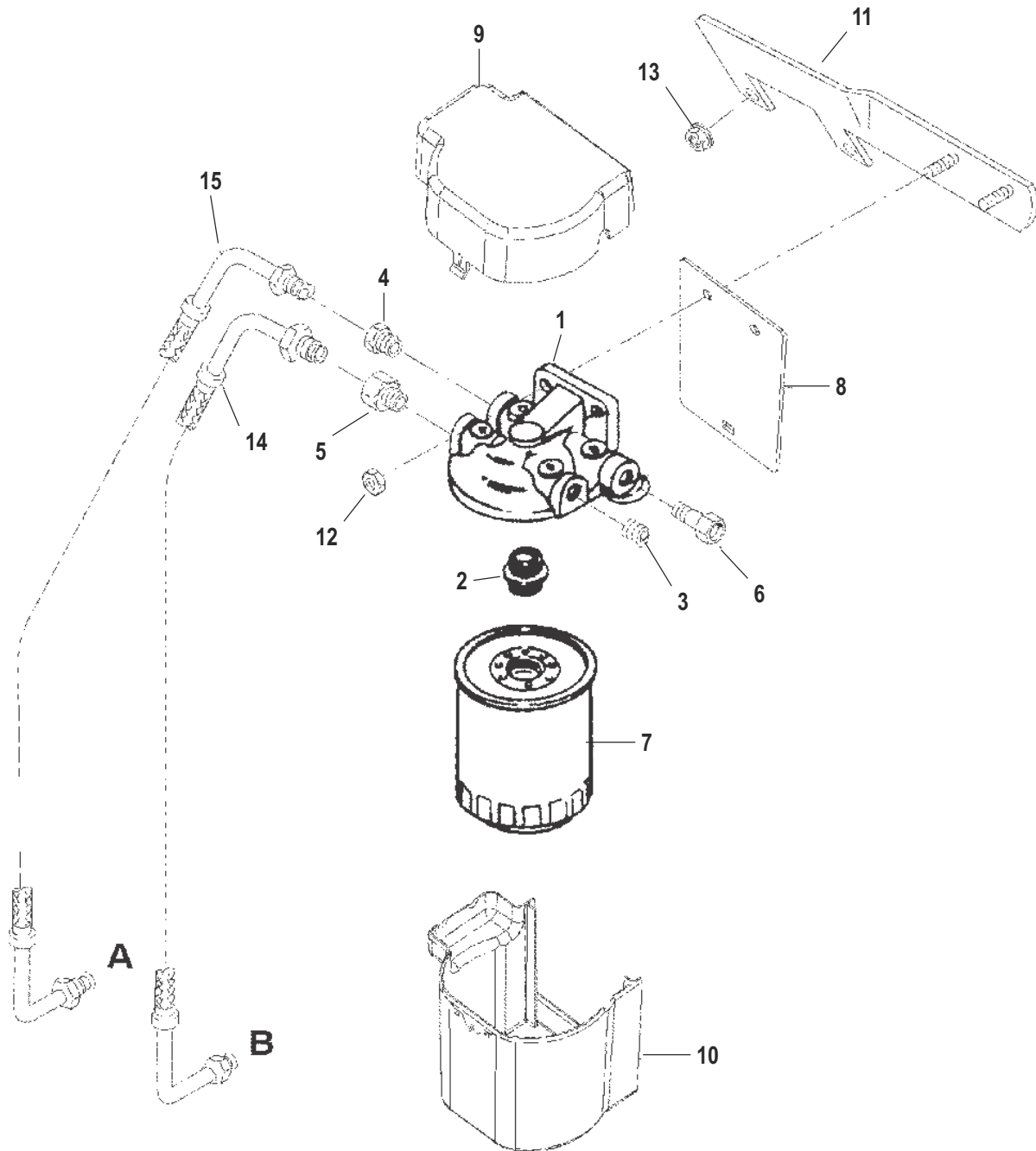
Ref #	Part Class	Part Number	Description	Comments	Qty	Note
1	0000	807951T	BRACKET Fuel Cooler		1	
2	0000	807685T	INSULATOR Base		1	
3	0000	807949A1	PUMP ASSEMBLY Fuel (Electric)		1	
4	0022	807783A1	FITTING ASSEMBLY 90 Degree		1	
5	0025	805063	O-RING (.301 x .070)		4	[1]
6	0022	808001A1	FITTING ASSEMBLY		1	
7	0025	805062	O-RING (.530 x .082)		1	[1]
8	0000	807950A1	COOLER Fuel		1	
9	0022	806608A1	PLUG KIT (.500-13) Royal Blue Drain		1	[2]
10	0025	806609	QUAD RING		1	[1]
11	0000	807979T	BRACKET		1	
12	0011	29598	NUT (.250-28) Stainless Steel		2	
13	0000	860349A1	REGULATOR ASSEMBLY Fuel Pressure		1	
14	0035	805406	FILTER		1	
15	0010	852368	SCREW (#10-24 x .750)		2	
16	0012	89302	WASHER (.203 x .406 x .040)		2	
17	0022	808002A1	FITTING KIT		1	
18	0012	36533	WASHER (.328 x .562 x .0312) Copper		1	
19	0032	80617370	HOSE		1	
20	0022	860273	CONNECTOR Hose		1	
21	0010	808005	SCREW (.250-20 x .500)		4	
22	0000	269011	BUMPER Rubber		8	
23	0000	807930T	INSULATOR Cover		1	
24	0032	860350A2	LINE ASSEMBLY Fuel Fuel Cooler to Fuel Rail		1	
25	0025	805970	O-RING		2	
26	0011	860069	NUT (.375-16)		2	
27	0032	80617377	HOSE		1	
28	0022	806689	FITTING Tee		1	

## PART NOTES:

- [1] - COMPONENT OF OVERHAUL GASKET SET  
COMPONENT OF OVERHAUL GASKET SET
- [2] - Alternate part numbers:  
806608A 1Service Part  
806608Q01QS



FUEL FILTER (FUEL COOLED SYSTEM) S/N 0K147350 & UP



A = FROM FUEL PRESSURE REGULATOR  
 B = TO FUEL PUMP

12792

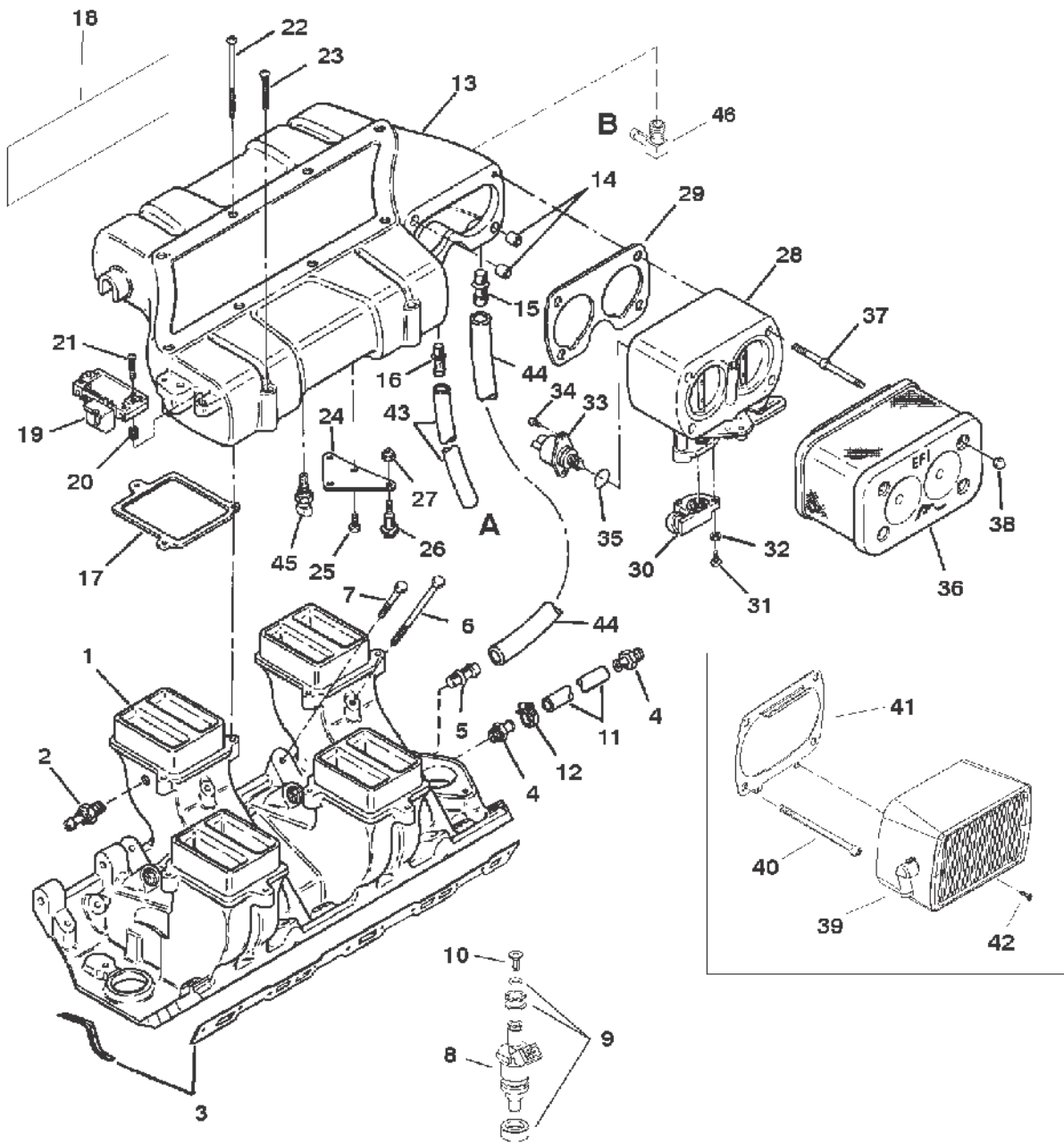
FUEL FILTER (FUEL COOLED SYSTEM) S/N 0K147350 & UP

Ref #	Part Class	Part Number	Description	Comments	Qty	Note
1	0000	89876A3	BASE ASSEMBLY Fuel Filter/Water Seperator		1	
2	0022	8161331	FITTING		1	
3	0022	32561	PLUG Pipe - Allen Head (.250-18)		1	
4	0022	33821	CONNECTOR		1	
5	0022	808003	CONNECTOR		1	
6	0022	807958	FITTING (1/4-18) Inlet		1	
7	0035	807172	FILTER Fuel/Water Separator		1	[1]
8	0000	807956T	INSULATOR Back		1	
9	0000	807806T	INSULATOR Cap		1	
10	0000	807807T	INSULATOR Base		1	
11	0000	807918T	BRACKET Fuel Filter Base		1	
12	0011	45592	NUT (.312-24)		2	
13	0011	860069	NUT (.375-16)		2	
14	0032	807953T	LINE ASSEMBLY Fuel Fuel Pump to Filter Base		1	
15	0032	807954T	HOSE ASSEMBLY Fuel Regulator to Filter Base		1	

**PART NOTES:**

- [1] - Alternate part numbers:  
 802893QQS  
 802893TMPP  
 807172Service Part

# INTAKE MANIFOLD AND INTAKE PLENUM



A = TO FUEL PRESSURE REGULATORS  
 B = TO PCV VALVE

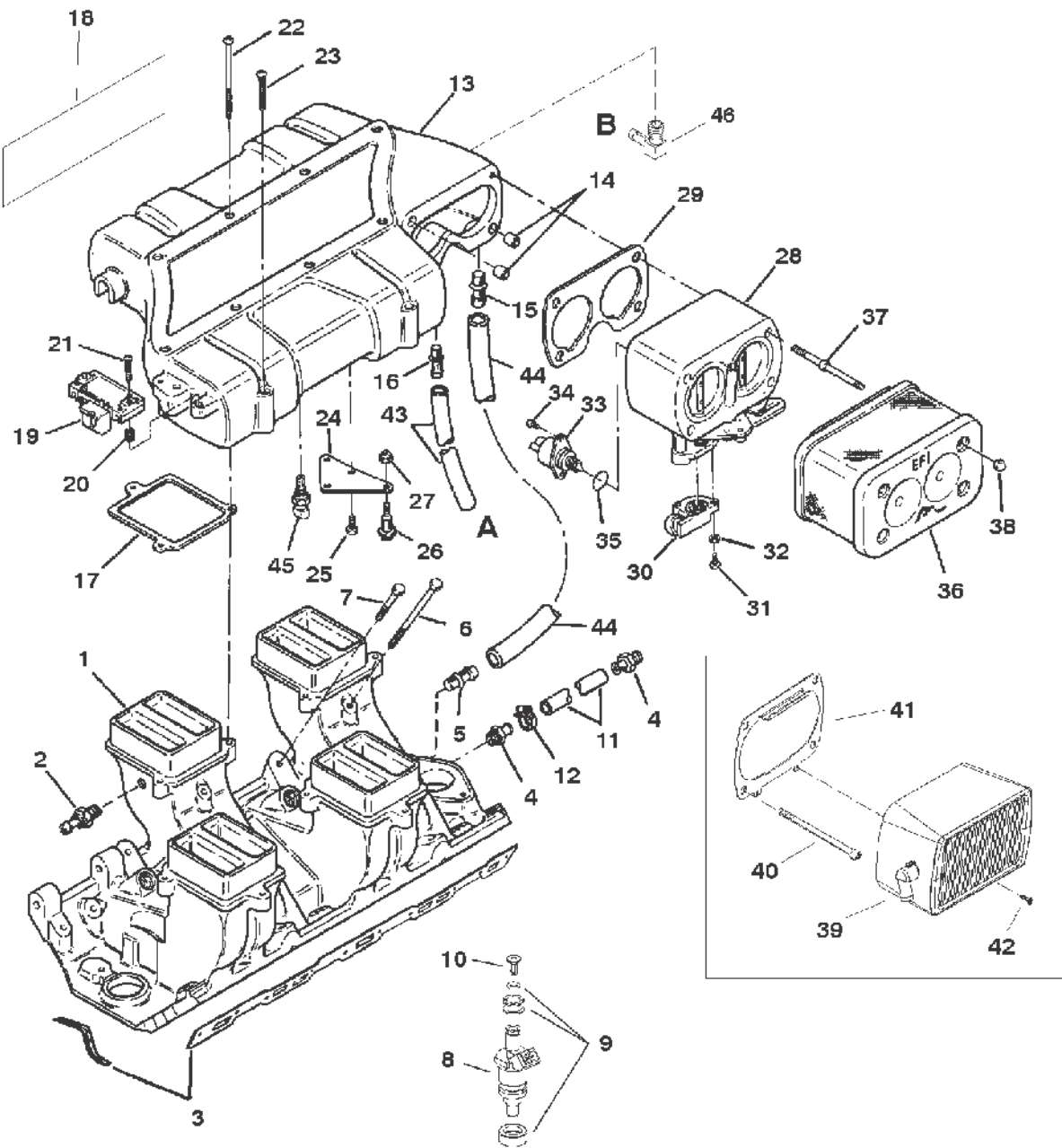
44990

## INTAKE MANIFOLD AND INTAKE PLENUM

Ref #	Part Class	Part Number	Description	Comments	Qty	Note
1	0000	805233A2	MANIFOLD ASSEMBLY Intake	Use With VST Fuel System [OK147349] & Below	1	
1	0000	8M0090767	MANIFOLD ASSEMBLY Intake	Use With Cool Fuel System [OK147350] & Up	1	
2	0022	805691	FITTING (.250) Barb		1	
3	0027	805403A1	GASKET SET		1	[1]
4	0022	806242	CONNECTOR		2	
5	0022	805519	FITTING Barb (.250 Inch)		1	
6	0010	807640	SCREW (.375-16 x 5.5)		4	
7	0010	807641	SCREW (.375-16 x 1.75)		12	
8	0000	805225A1	INJECTOR ASSEMBLY Fuel		8	
9	0025	805511A1	SEALING KIT Fuel Injector		8	[1]
10	0035	17422	FILTER		8	
11	0032	8059871	HOSE Water Pump To Intake Manifold Bypass		1	
12	0054	815504212	CLAMP Worm Gear Hose		2	
13	0000	805240A1	PLENUM ASSEMBLY Intake		1	
14	0023	52698	SLEEVE		2	
15	0022	805519	FITTING Barb (.250 Inch)		1	
16	0022	805598	FITTING (.1875) Barb		1	
17	0027	805522A1	GASKET SET		1	[1]
18	0037	82381615	DECAL		1	
19	0000	805217A1	SENSOR ASSEMBLY		1	
20	0026	805412	SEAL		1	[1]
21	0010	807120	SCREW (#10-24 x 1.00)		2	
22	0010	805391	SCREW (.312-18 x 4.500)		8	
23	0010	805390	SCREW (.312-18 x 2.250)		4	
24	0000	805413T	BRACKET Throttle Cable		1	
25	0010	73286	SCREW (.250-20 x .500) Stainless Steel		3	
26	0010	96430	SHOULDER SCREW		1	
27	0011	814101	NUT (.250-20) Stainless Steel		1	
28	0000	805243A12	THROTTLE BODY ASSEMBLY	(VST FUEL SYSTEM) [OK147349] & Below	1	
28	0000	860204A5	THROTTLE BODY ASSEMBLY	(FUEL COOLED SYSTEM) [OK147350] & Up	1	
29	0027	805396	GASKET Throttle Body		1	[1]
30	0000	805226A1	SENSOR ASSEMBLY TPS		1	
31	0010	805400	SCREW (#8-32 x .500) Stainless Steel		2	
32	0012	28001	WASHER (.188 x .438 x .049)		2	
33	0000	805224A1	MOTOR ASSEMBLY IAC		1	
34	0010	805400	SCREW (#8-32 x .500) Stainless Steel		2	
35	0025	808547	O-RING		1	
36	0000	805401A2	FLAME ARRESTOR	METAL FLAME ARRESTOR	1	

## INTAKE MANIFOLD AND INTAKE PLENUM

# INTAKE MANIFOLD AND INTAKE PLENUM



A = TO FUEL PRESSURE REGULATORS  
 B = TO PCV VALVE

44990

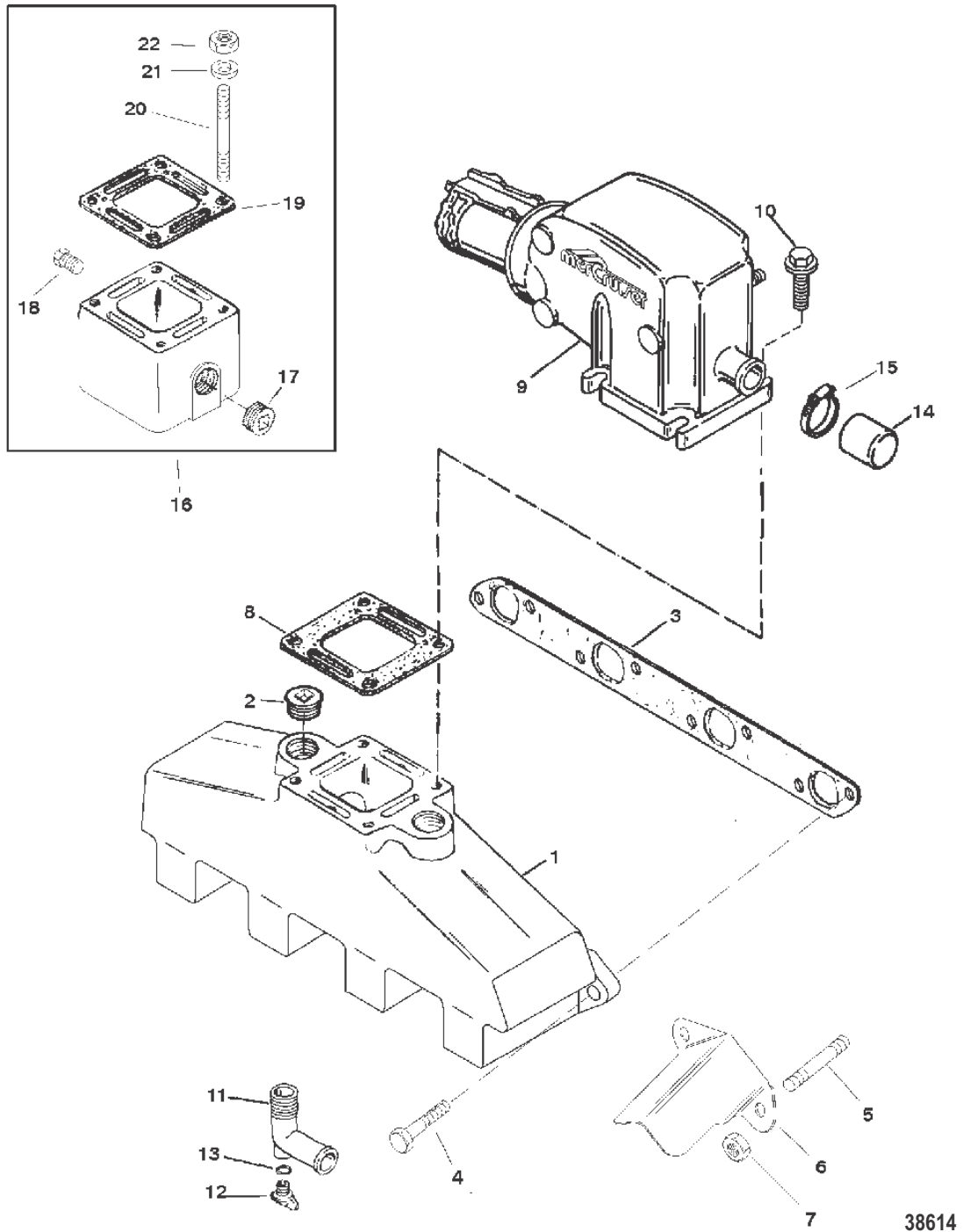
## INTAKE MANIFOLD AND INTAKE PLENUM

Ref #	Part Class	Part Number	Description	Comments	Qty	Note
37	0016	805399	STUD	METAL FLAME ARRESTOR	4	
38	0011	805402	NUT Acorn	METAL FLAME ARRESTOR	4	
39	0000	807656A2	FLAME ARRESTOR	PLASTIC FLAME ARRESTOR	1	
40	0010	808040	SCREW (5/16-18 x 4.0)	PLASTIC FLAME ARRESTOR	4	
41	0000	807654T	BRACKET Flame Arrestor	PLASTIC FLAME ARRESTOR	1	
42	0010	808039	SCREW (#6-32)	PLASTIC FLAME ARRESTOR	2	
43	0032	80617333	HOSE Pressure Regulator to Intake Manifold Fitting		1	
44	0032	7381567	TUBING (42.00 Inches Bulk)		1	
45	0000	805223T	SENSOR MAT		1	
46	0022	68727	FITTING (.250-18) 90 Degree - Brass		1	
-	0027	805396A95	GASKET SET Overhaul		1	

## PART NOTES:

[1] - COMPONENT OF OVERHAUL GASKET SET

# EXHAUST MANIFOLD AND EXHAUST ELBOW



## EXHAUST MANIFOLD AND EXHAUST ELBOW

## EXHAUST MANIFOLD AND EXHAUST ELBOW

Ref #	Part Class	Part Number	Description	Comments	Qty	Note
1	0000	89011A8	MANIFOLD ASSEMBLY Exhaust		2	
2	0022	33198A1	PLUG (3/4-14) Pipe		AR	[1]
3	0027	46820	GASKET		2	[2]
4	0010	37612	SCREW (.375-16 x 1.250)	VST FUEL SYSTEM	16	
4	0010	37612	SCREW (.375-16 x 1.250)	USE WITH FUEL COOLED SYSTEM	14	
5	0016	860165	STUD	USE WITH FUEL COOLED SYSTEM	2	
6	0000	860203T	SHIELD Heat	USE WITH FUEL COOLED SYSTEM	1	
7	0011	28770	NUT (.312-24) Stainless Steel	USE WITH FUEL COOLED SYSTEM	2	
8	0027	860233	GASKET		2	[2]
9	0000	816900A5	ELBOW ASSEMBLY Exhaust	(PORT)	1	
9	0000	816900A9	ELBOW ASSEMBLY Exhaust	(STARBOARD)	1	
9	0000	807988A2	ELBOW ASSEMBLY Exhaust	-SWISS EMISSIONS (BSO1 & SAV1)	2	[3]
10	0010	12244	SCREW (.375-16 x 1.00)		6	
10	0010	98534	SCREW (.375-16 x 2.30)		2	
10	0010	43749	SCREW (.375-16 x 5.750)	SWISS EMISSIONS	2	
10	0010	44387	SCREW (.376-16 x 6.750)	(BSO1 & SAV1) SWISS EMISSIONS	2	
10	0010	843504	SCREW (.380-16 x 1.500) Stainless Steel	SWISS EMISSIONS	4	
11	0022	806926A1	ELBOW KIT Drain		2	
12	0022	806608A1	PLUG KIT (.500-13) Royal Blue Drain		2	[4]
13	0025	806609	QUAD RING		2	[2]
14	0019	805727	CAP Rubber		2	
15	0054	815504220	CLAMP Worm Gear		2	
16	0000	93320A7	RISER KIT Exhaust (3.00 Inch)		1	
16	0000	93322A5	RISER KIT Exhaust (6.00 Inch)		1	
17	0022	33198A1	PLUG (3/4-14) Pipe		2/4	
18	0022	328021	PLUG Pipe (.125-27)		2/4	
19	0027	818832	GASKET		2	
20	0016	97520	STUD (.375 x 5.0)	USE WITH 3 IN. RISER	6	
20	0016	34713	STUD (.375 x 6.5)	USE WITH 3 IN. RISER	2	
20	0016	821738	STUD (3/8 x 8 In.)	USE WITH 6 IN. RISER	6	
20	0016	11375	STUD (.375 x 9.56)	USE WITH 6 IN. RISER	2	
21	0012	46132	WASHER		10	
22	0011	46335	NUT (.375-24)		8	
-	0027	805396A95	GASKET SET Overhaul		1	

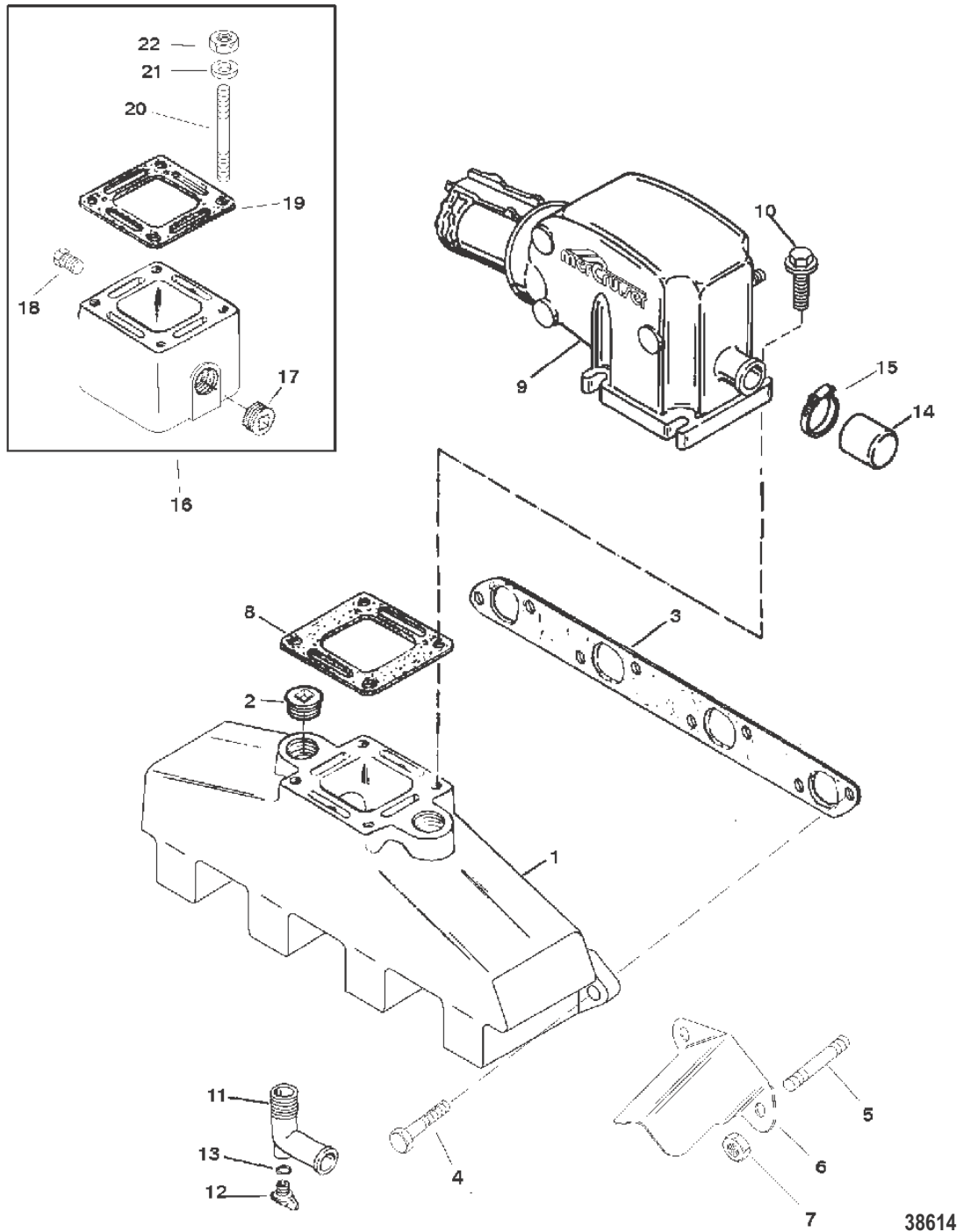
## PART NOTES:

- [1] - AS REQUIRED  
 [2] - COMPONENT OF OVERHAUL GASKET SET  
 [3] - PART IS NEW AND LISTED FOR THE FIRST TIME

## EXHAUST MANIFOLD AND EXHAUST ELBOW



# EXHAUST MANIFOLD AND EXHAUST ELBOW



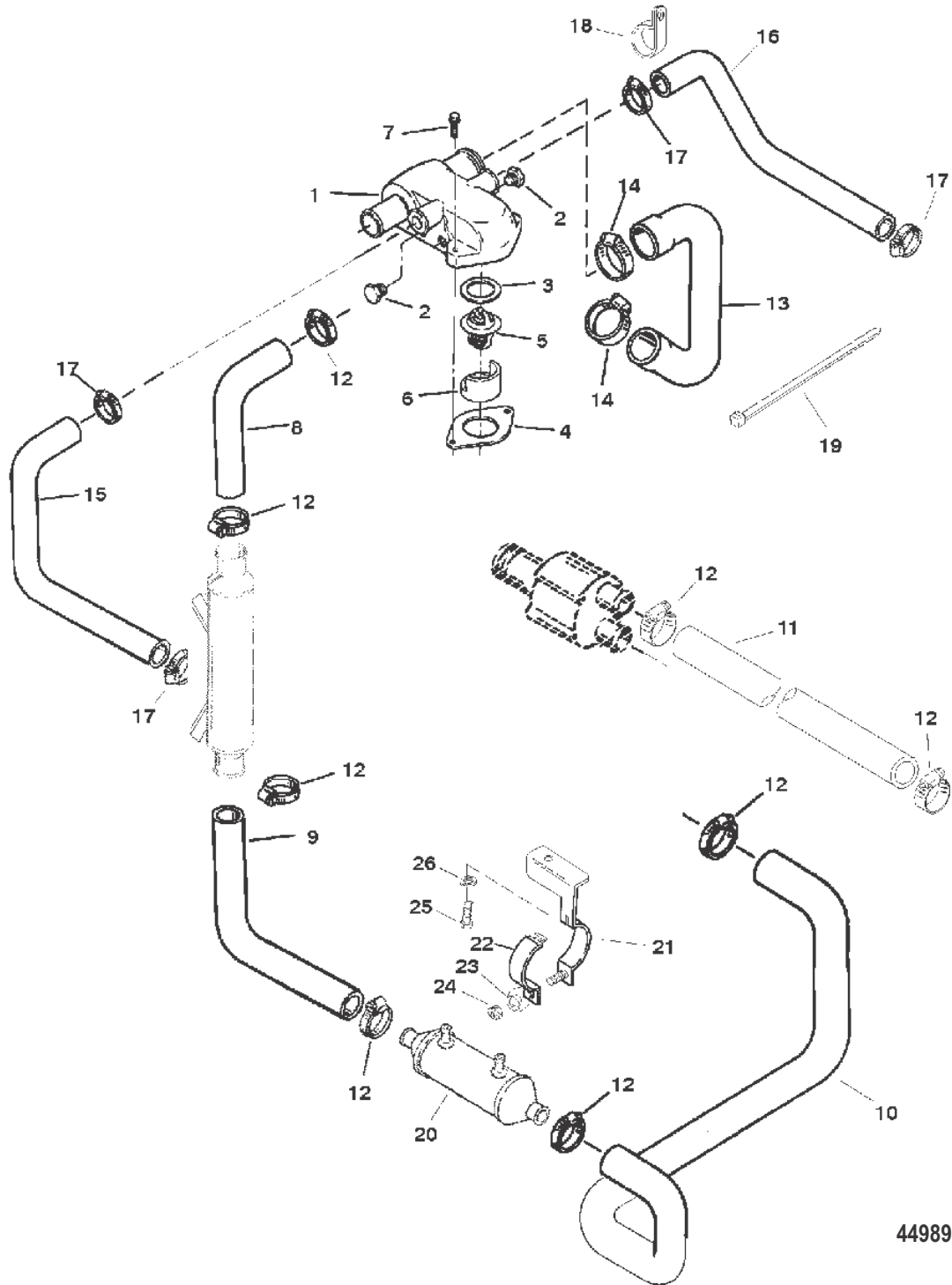
38614

**Cat.# 90-809994965**

## EXHAUST MANIFOLD AND EXHAUST ELBOW

- [4] - Alternate part numbers:  
806608A 1Service Part  
806608Q01QS

THERMOSTAT HOUSING (VST FUEL SYSTEM) S/N 0K147349 & BELOW



44989

THERMOSTAT HOUSING (VST FUEL SYSTEM) S/N 0K147349 & BELOW

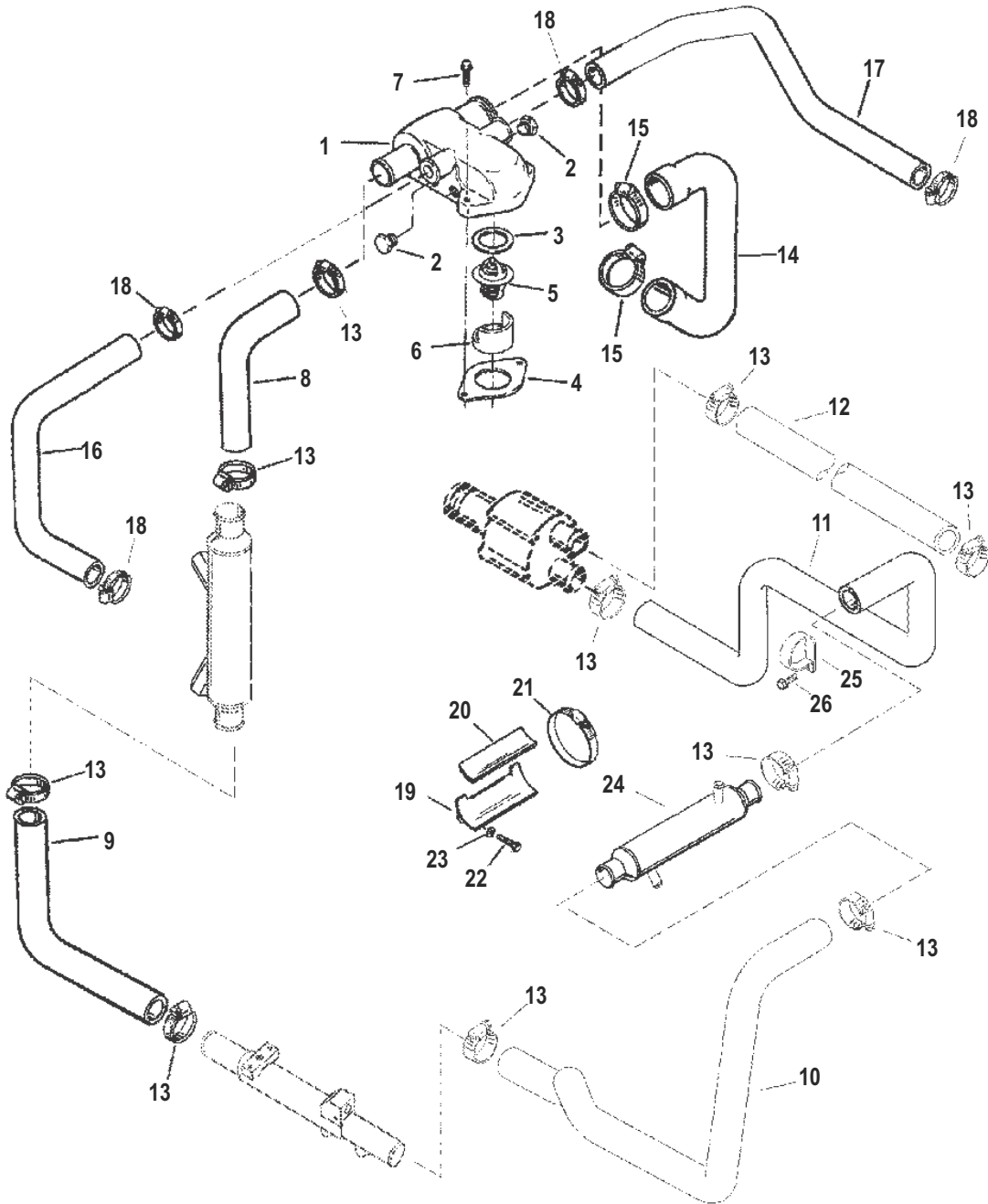
Ref #	Part Class	Part Number	Description	Comments	Qty	Note
1	0000	806235A1	HOUSING ASSEMBLY Thermostat		1	
2	0022	32803	PLUG Pipe (.375-18) Brass		2	
3	0027	806871	GASKET Thermostat		1	[1]
4	0027	530451	GASKET Thermostat Housing		1	[2]
5	0000	8072522	THERMOSTAT 71°C (160°F)		1	[3]
6	0023	806922	SLEEVE		1	
7	0010	98794	SCREW (.375-16 x 1.00)		2	
8	0032	807407	HOSE Thermostat Housing to Engine Oil Cooler		1	
9	0032	808052	HOSE Engine Oil Cooler to P/S Oil Cooler		1	
10	0032	807404	HOSE		1	
11	0032	1743579	HOSE (96.00 Inches Bulk) Seawater Pump to Drive Unit		1	
12	0054	815504222	CLAMP Worm Gear (1.98 Diameter)		8	
13	0032	897181	HOSE Thermostat Housing to Water Pump		1	
14	0054	815504232	CLAMP Worm Gear (2.50 Diameter)		2	
15	0032	89749	HOSE Thermostat Housing to Port Exhaust Manifold		1	
16	0032	807201	HOSE Thermostat Housing to Starboard Exhaust Manifold		1	
17	0054	815504220	CLAMP Worm Gear		4	
18	0054	806616	CLAMP		1	
19	0000	77054	TIE STRAP (14.50 Inches)		1	
20	0000	99356A2	COOLER ASSEMBLY Power Steering Oil		1	
21	0000	807402T	BRACKET Oil Cooler		1	
22	0000	807445T	CLAMP		1	
23	0012	35462	WASHER (.2656 x .625 x .0625) Stainless Steel		1	
24	0011	72008	NUT (.250-20)		1	
25	0010	86750	SCREW (.312-18 x .620)		1	
26	0013	39107	LOCKWASHER (.312-24)		1	
-	0027	805396A95	GASKET SET Overhaul		1	

**PART NOTES:**

- [1] - COMPONENT OF OVERHAUL GASKET SET
- [2] - Alternate part numbers:  
 53045 1Service Part  
 53045Q01QS  
 COMPONENT OF OVERHAUL GASKET SET
- [3] - Alternate part numbers:  
 807252 2Service Part  
 807252Q 5QS Kit  
 807252T 5MPP Kit

THERMOSTAT HOUSING (VST FUEL SYSTEM) S/N 0K147349 & BELOW

THERMOSTAT HOUSING (FUEL COOLED SYSTEM) SN 0K147349 & BELOW



36327

THERMOSTAT HOUSING (FUEL COOLED SYSTEM) SN 0K147349 & BELOW

## THERMOSTAT HOUSING (FUEL COOLED SYSTEM) SN 0K147349 &amp; B

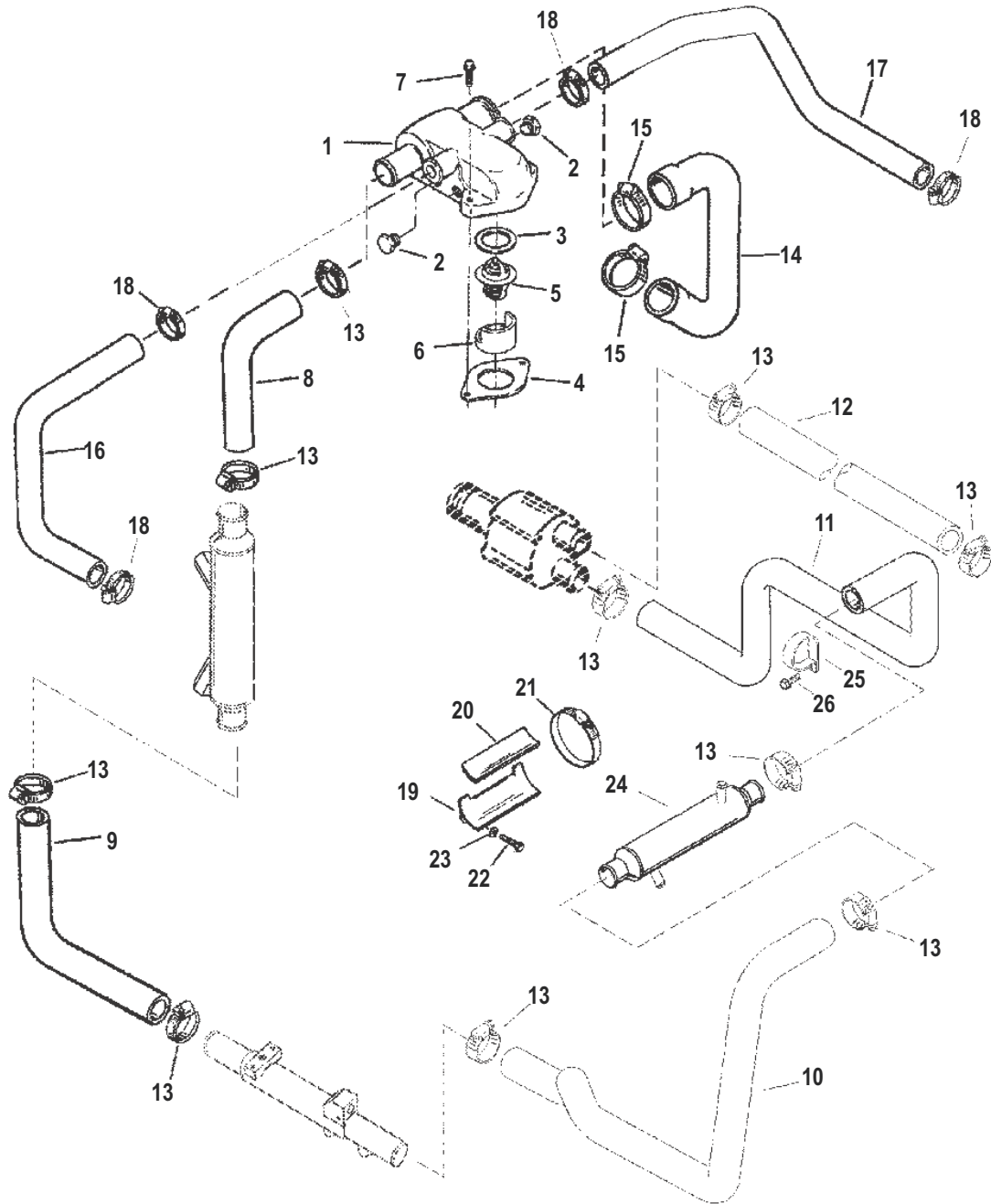
Ref #	Part Class	Part Number	Description	Comments	Qty	Note
1	0000	806235A1	HOUSING ASSEMBLY Thermostat		1	
2	0022	32803	PLUG Pipe (.375-18) Brass		2	
3	0027	806871	GASKET Thermostat		1	[1]
4	0027	530451	GASKET Thermostat Housing		1	[2]
5	0000	8072522	THERMOSTAT 71°C (160°F)		1	[3]
6	0023	806922	SLEEVE		1	
7	0010	98794	SCREW (.375-16 x 1.00)		2	
8	0032	807407	HOSE Thermostat Housing. to Engine Oil Cooler		1	
9	0032	807989	HOSE Cooler to Cooler	(USE WITH 10 IN. ENGINE OIL COOLER)	1	
9	0032	8074061	HOSE Cooler to Cooler	(USE WITH 13 IN. ENGINE OIL COOLER)	1	
10	0032	808045	HOSE Fuel Cooler to Power Steering Oil Cooler		1	
11	0032	808044	HOSE Molded Power Steering Oil Cooler to Sea Water Pump		1	
12	0032	1743579	HOSE (96.00 Inches Bulk) Sea Water Pump to Transom		1	
13	0054	815504222	CLAMP Worm Gear (1.98 Dlameter)		10	
14	0032	897181	HOSE Thermostat Housing to Water Pump		1	
15	0054	815504232	CLAMP Worm Gear (2.50 Diameter)		2	
16	0032	89749	HOSE	Thermostat Housing to Port Exhaust Manifold	1	
17	0032	807201	HOSE	Thermostat Housing to Starboard Exhaust Manifold	1	
18	0054	815504220	CLAMP Worm Gear		4	
19	0000	805546A2	BRACKET Transmission Oil Cooler		1	
20	0000	772233	PAD		1	
21	0054	815504224	CLAMP Worm Gear		1	
22	0010	86750	SCREW (.312-18 x .620)		1	
23	0012	20572	WASHER (.390 x .750 x .093)		1	
24	0000	807292T	COOLER Power Steering Oil		1	
25	0054	47715	CLIP		1	
26	0010	35765A1	SCREW AND LOCKWASHER (.312-18 x .625)		1	

## PART NOTES:

- [1] - COMPONENT OF OVERHAUL GASKET SET  
COMPONENT OF OVERHAUL GASKET SET
- [2] - Alternate part numbers:  
53045 1Service Part  
53045Q01QS  
COMPONENT OF OVERHAUL GASKET SET  
COMPONENT OF OVERHAUL GASKET SET

THERMOSTAT HOUSING (FUEL COOLED SYSTEM) SN 0K147349 &amp; BELOW

THERMOSTAT HOUSING (FUEL COOLED SYSTEM) SN 0K147349 & BELOW



36327

THERMOSTAT HOUSING (FUEL COOLED SYSTEM) SN 0K147349 & BELOW

**Cat.# 90-809994965**

**THERMOSTAT HOUSING (FUEL COOLED SYSTEM) SN 0K147349 & B**

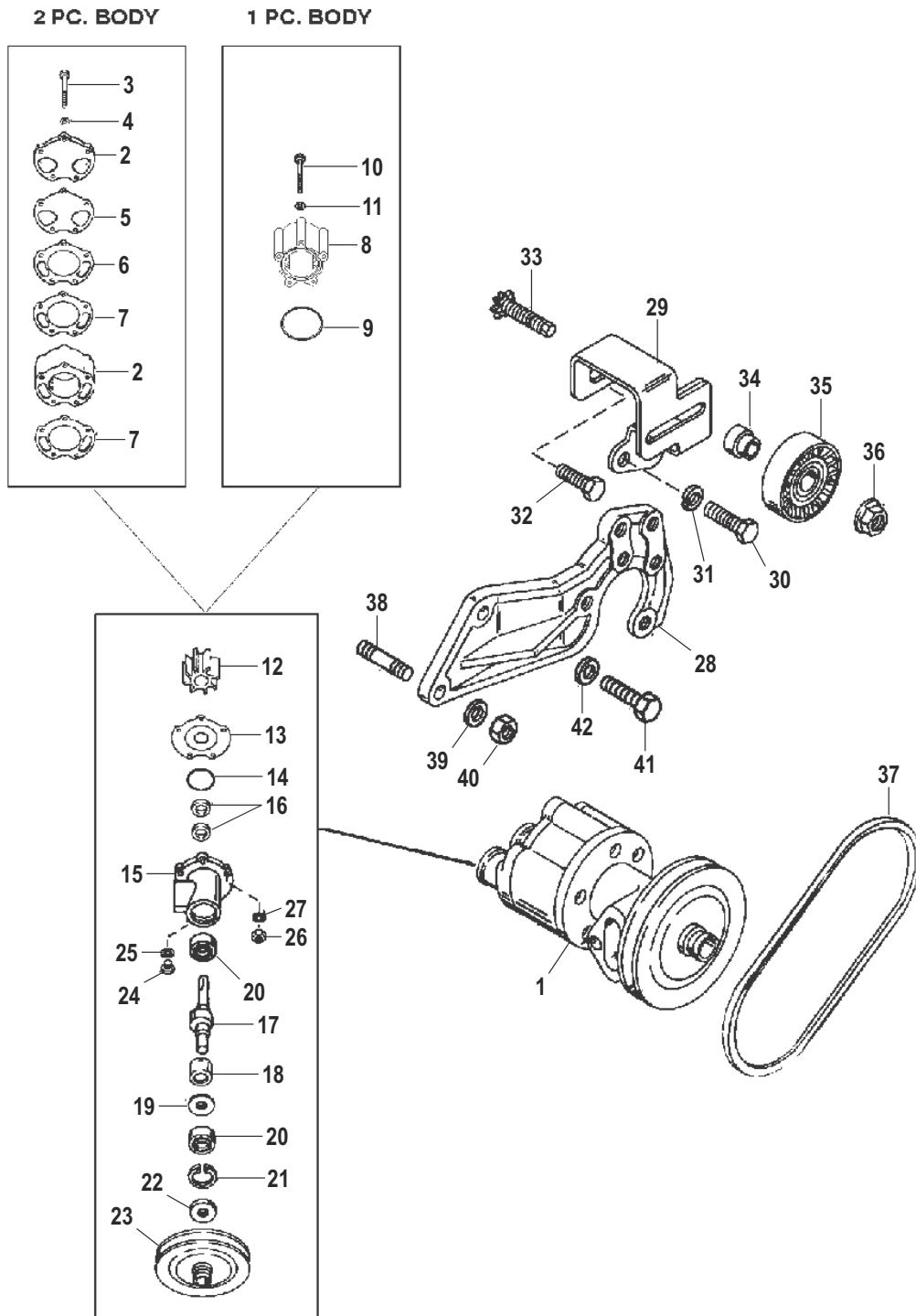
- [3] - Alternate part numbers:
- 807252 2Service Part
  - 807252Q 5QS Kit
  - 807252T 5MPP Kit

---

THERMOSTAT HOUSING (FUEL COOLED SYSTEM) SN 0K147349 & BELOW



SEA WATER PUMP (VST FUEL SYSTEM) (S/N 0K147349 & BELOW)



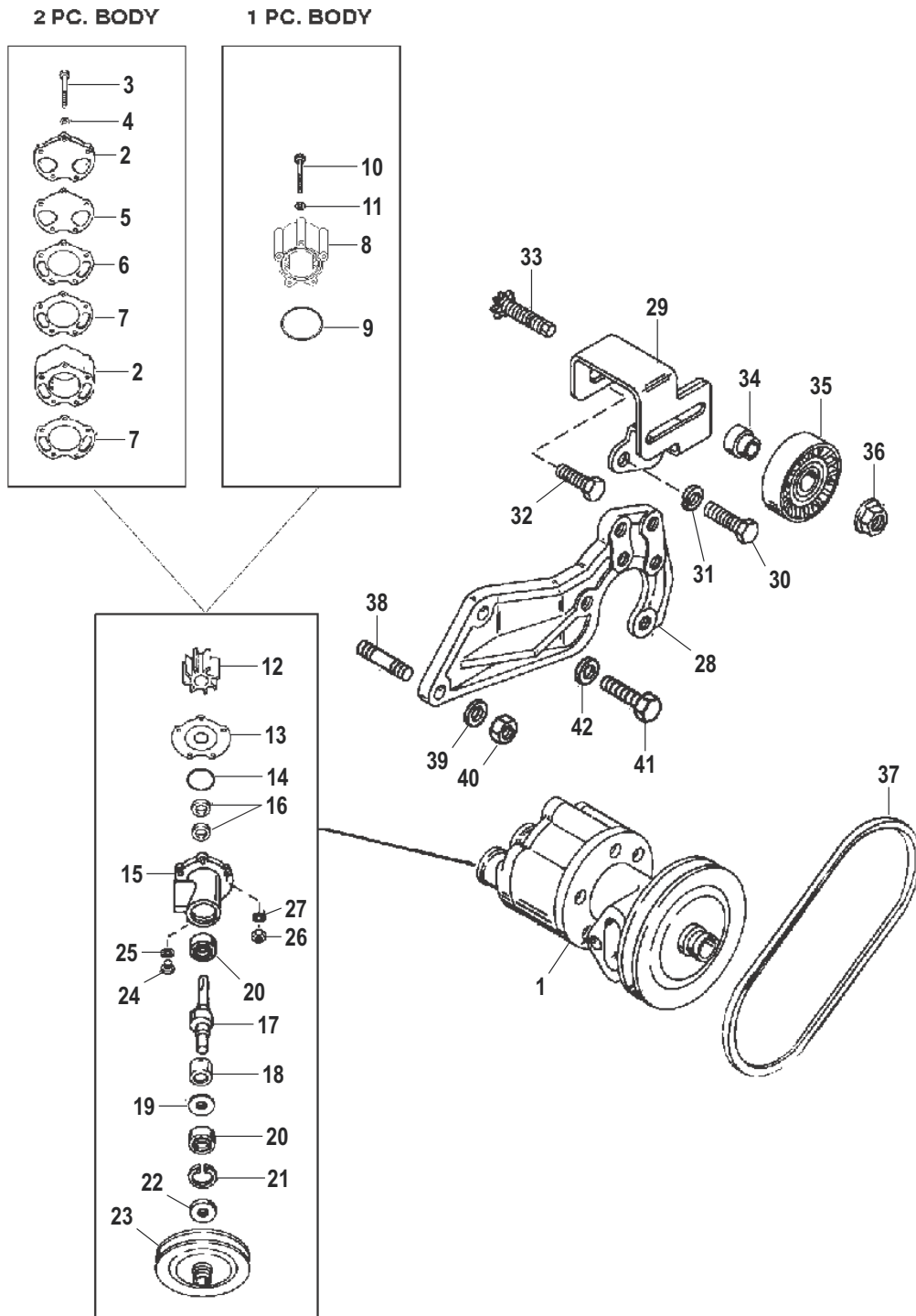
37897

## SEA WATER PUMP (VST FUEL SYSTEM) (S/N 0K147349 &amp; BELOW)

Ref #	Part Class	Part Number	Description	Comments	Qty	Note
1	0046	807151A8	PUMP ASSEMBLY Sea Water		1	[1]
2	0046	807151A7	BODY AND COVER	TWO PIECE BODY	1	
3	0010	99347	SCREW (.312-18 x 3.75)	TWO PIECE BODY	5	
4	0012	20084	WASHER (.328 x .562 x .062)	TWO PIECE BODY	5	
5	0027	8052151	GASKET	TWO PIECE BODY	1	
6	0000	94916	WEAR PLATE Wear (Outer)	TWO PIECE BODY	1	
7	0027	94914	GASKET	TWO PIECE BODY	2	
8	0046	807151A7	BODY AND COVER Water Pump	ONE PIECE BODY	1	
9	0025	807149	QUAD RING	ONE PIECE BODY	1	
10	0010	807356	SCREW (.312-18 x 2.680)	ONE PIECE BODY	2	
10	0010	74822	SCREW (.312-18 x 3.500)	ONE PIECE BODY	3	
11	0012	814806	WASHER (.344 x .688 x .065) Stainless Steel	ONE PIECE BODY	5	
12	0047	593621	IMPELLER		1	
13	0000	94576	WEAR PLATE Wear (Inner)		1	
14	0025	94288	QUAD RING		1	
15	0000	818367A1	HOUSING ASSEMBLY		1	
16	0026	90562	SEAL (1.254 x .312) Oil		2	
17	0000	818366A1	SHAFT KIT		1	
18	0000	818745A1	RING KIT Slip		1	
19	0012	89664	WASHER (.920 x 1.750 x .060)		1	
20	0030	72961	BEARING Ball		2	
21	0053	23720	RING Retaining		1	
22	0026	806930	SEAL Oil		1	
23	0000	818365T	PULLEY		1	
24	0010	79953A2	SCREW KIT (.375-16 x .250) Drain		1	[2]
25	0012	19183	WASHER Fiber		1	
26	0011	21908	NUT (.312-18) Cad Plated		1	
27	0013	39107	LOCKWASHER (.312-24)		1	
28	0000	818368T1	BRACKET		1	
29	0000	818379T	BRACKET Idler		1	
30	0010	76926	SCREW (.375-16 x .875)		2	
31	0013	35048	LOCKWASHER (.375)		2	
32	0010	17965	SCREW (.437-14 x .70)		1	
33	0043	8183812	PINION STUD (.437-20) Stainless Steel		1	
34	0000	818380T	BUSHING		1	
35	0000	818382	PULLEY		1	
36	0011	817618	NUT (.437-20)		1	
37	0057	69143T	V BELT		1	
38	0016	806591	STUD (7/16-14)		1	
39	0013	32993	LOCKWASHER (.437)		1	
40	0011	22024	NUT (.437-14)		1	
41	0010	47462	SCREW (.437-14 x 1.250)		1	
42	0013	32993	LOCKWASHER (.437)		1	

SEA WATER PUMP (VST FUEL SYSTEM) (S/N 0K147349 &amp; BELOW)

SEA WATER PUMP (VST FUEL SYSTEM) (S/N 0K147349 & BELOW)



37897

**Cat.# 90-809994965**

## **SEA WATER PUMP (VST FUEL SYSTEM) (S/N 0K147349 & BELOW)**

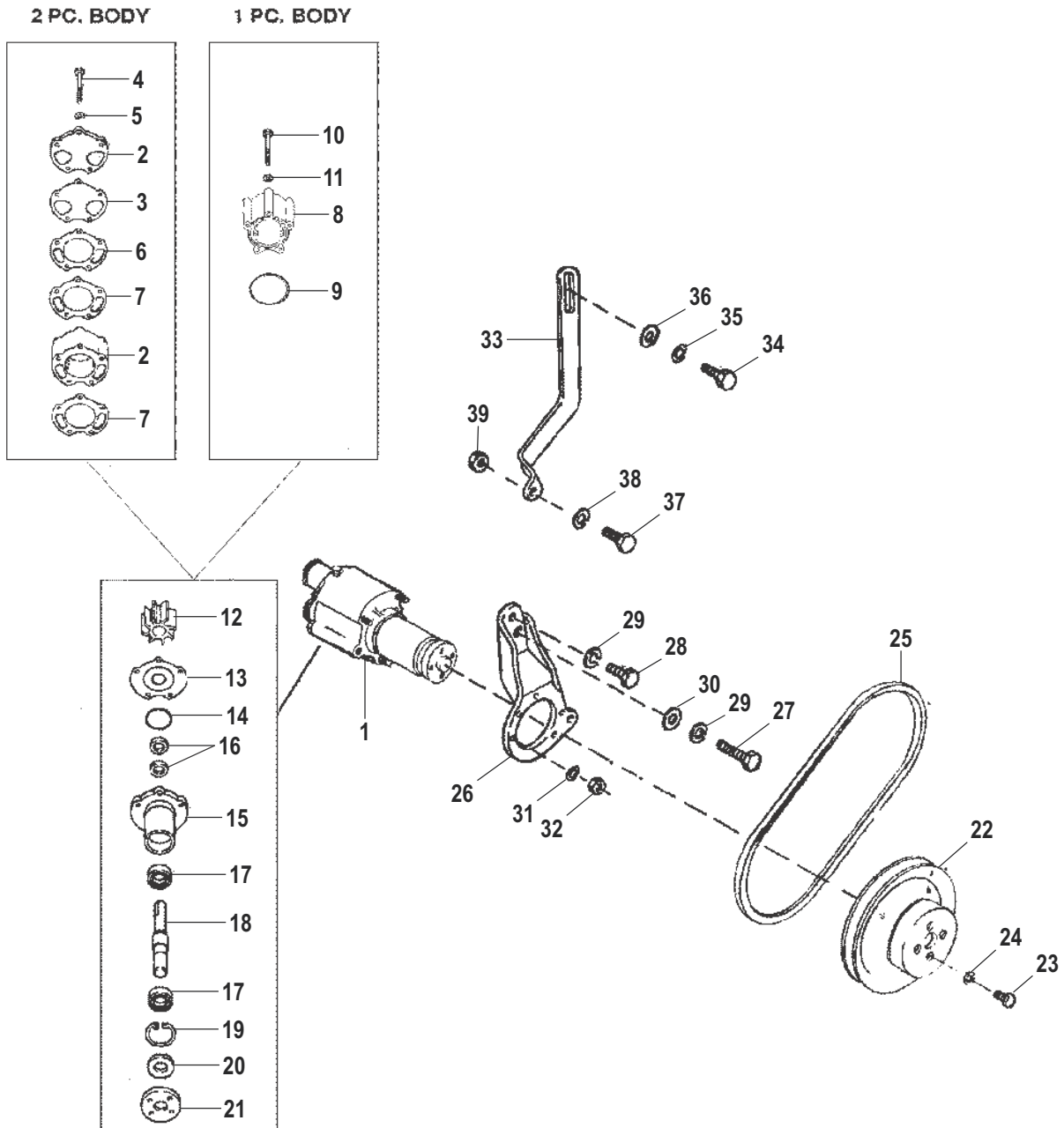
**PART NOTES:**

- [1] - SUPERSEDES TO ANOTHER PART NUMBER
- [2] - Alternate part numbers:
  - 79953A 2Service Part
  - 79953K04MPP
  - 79953Q04QS

---

SEA WATER PUMP (VST FUEL SYSTEM) (S/N 0K147349 & BELOW)

SEA WATER PUMP (FUEL COOLED SYSTEM) (S/N 0K147350 & UP)



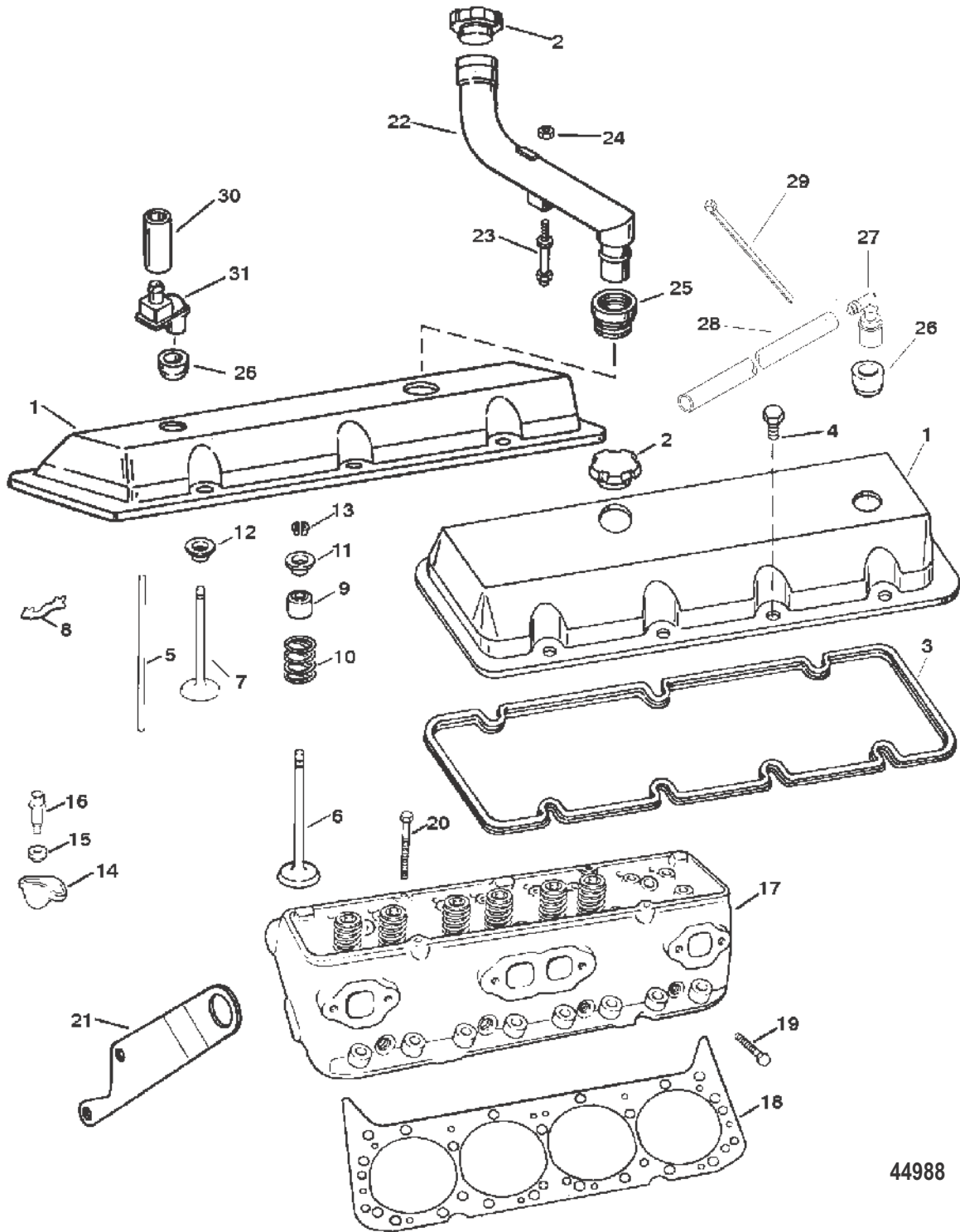
38036

## SEA WATER PUMP (FUEL COOLED SYSTEM) (S/N 0K147350 &amp; UP)

Ref #	Part Class	Part Number	Description	Comments	Qty	Note
1	0046	807151A12	PUMP ASSEMBLY Seawater		1	
2	0046	807151A7	BODY AND COVER	TWO PIECE BODY	1	
3	0027	8052151	GASKET	TWO PIECE BODY	1	
4	0010	73275	SCREW (.312-18 x 2.88)	TWO PIECE BODY	2	
4	0010	99347	SCREW (.312-18 x 3.75)	TWO PIECE BODY	3	
5	0012	20084	WASHER (.328 x .562 x .062)	TWO PIECE BODY	5	
6	0000	94916	WEAR PLATE Wear (Outer)	TWO PIECE BODY	1	
7	0027	94914	GASKET	TWO PIECE BODY	2	
8	0046	807151A7	BODY AND COVER Water Pump	ONE PIECE BODY	1	
9	0025	807149	QUAD RING	ONE PIECE BODY	1	
10	0010	807356	SCREW (.312-18 x 2.680)	ONE PIECE BODY	2	
10	0010	74822	SCREW (.312-18 x 3.500)	ONE PIECE BODY	3	
11	0012	814806	WASHER (.344 x .688 x .065) Stainless Steel	ONE PIECE BODY	5	
12	0047	593621	IMPELLER		1	
13	0000	94576	WEAR PLATE Wear (Inner)		1	
14	0025	94288	QUAD RING		1	
15	0046	94913A2	HOUSING ASSEMBLY Water Pump		1	
16	0026	90562	SEAL (1.254 x .312) Oil		2	
17	0030	72961	BEARING Ball		2	
18	0000	59501A1	SHAFT		1	
19	0053	23720	RING Retaining Snap		1	
20	0026	72785	SEAL Oil		1	
21	0000	47530	HUB		1	
22	0000	52822T	PULLEY		1	
23	0010	47277	SCREW (.312-24 x .750)		4	
24	0013	39107	LOCKWASHER (.312-24)		4	
25	0057	13457T	BELT		1	
26	0000	15295T	BRACKET		1	
27	0010	47461	SCREW (.437-14 x 1.00)		1	
28	0010	17965	SCREW (.437-14 x .70)		1	
29	0013	32993	LOCKWASHER (.437)		2	
30	0012	27025	WASHER		1	
31	0013	39107	LOCKWASHER (.312-24)		3	
32	0011	21908	NUT (.312-18) Cad Plated		3	
33	0000	15751T	BRACE		1	
34	0010	47461	SCREW (.437-14 x 1.00)		1	
35	0013	32993	LOCKWASHER (.437)		1	
36	0012	30315	WASHER		1	
37	0010	35786	SCREW (.375-24 x 1.00)		1	
38	0013	35048	LOCKWASHER (.375)		1	
39	0011	46335	NUT (.375-24)		1	

SEA WATER PUMP (FUEL COOLED SYSTEM) (S/N 0K147350 &amp; UP)

# CYLINDER HEAD AND ROCKER COVER



44988

## CYLINDER HEAD AND ROCKER COVER

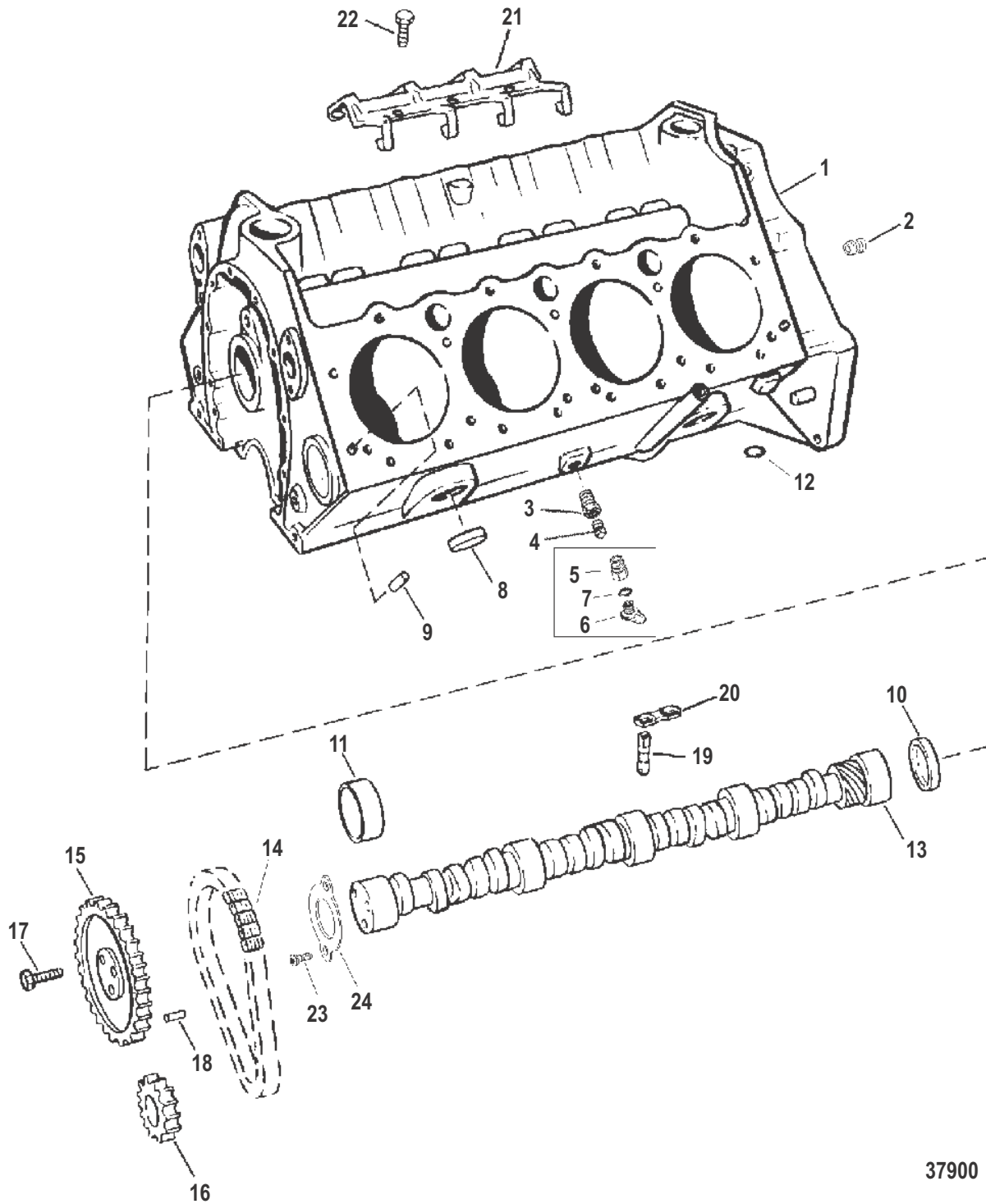
Ref #	Part Class	Part Number	Description	Comments	Qty	Note
1	0000	850462	COVER Rocker		2	
2	0036	811569	CAP Oil Tank		2	
3	0027	811588	GASKET Rocker Cover		2	[1]
4	0010	811589	BOLT (1/4-20 x 0.875)		14	
5	0000	850468	PUSH ROD	(INTAKE)	8	
5	0000	850469	PUSH ROD	(EXHAUST)	8	
6	0000	814506	VALVE Exhaust	(STANDARD)	8	
6	0000	814507	VALVE Exhaust	(.015 O.S.)	AR	[2]
7	0000	49134	VALVE Intake	(STANDARD)	8	
8	0000	811585	GUIDE Push Rod		8	
9	0026	811545	SEAL Valve		16	[1]
10	0024	850465	SPRING Valve		16	
11	0000	850463	ROTATOR	(EXHAUST)	8	
12	0000	850464	CAP	(INTAKE)	8	
13	0028	54530	KEY Rocker		32	
14	0000	850471	ARM Rocker		16	
15	0000	850472	BALL Rocker Arm		16	
16	0010	811593	BOLT Rocker Arm		16	
17	0938	827656	CYLINDER HEAD		2	
18	0027	850470	GASKET Cylinder Head		2	[1]
19	0010	49106	BOLT (2.00 Inch)		8	
20	0010	49105	BOLT (4.125 Inch)		24	
21	0000	807081T	BRACKET Lifting Eye (Front)		1	
22	0036	807131T	TUBE Oil Fill		1	
23	0016	805706	STUD		1	
24	0011	35045	NUT (.250-28)		1	
25	0026	805622	GROMMET		1	
26	0025	811553	GROMMET		2	
27	0021	806603	VALVE PVC		1	
28	0032	80617463	HOSE (33.00 Inches Bulk)		1	[3]
29	0054	816311	TIE STRAP (8.00 Inches)		2	
30	0032	807498240	TUBING (24.00 Inches Bulk) Vent	(USE WITH METAL FLAME ARRESTOR)	1	
30	0032	1589418	HOSE Breather Vent	(USE WITH PLASTIC FLAME ARRESTOR)	1	
31	0000	807925A2	BAFFLE Breather		1	
-	0027	805396A95	GASKET SET Overhaul		1	

## PART NOTES:

- [1] - COMPONENT OF OVERHAUL GASKET SET  
 [2] - AS REQUIRED  
 [3] - PART IS NEW AND LISTED FOR THE FIRST TIME



# CYLINDER BLOCK AND CAMSHAFT



37900

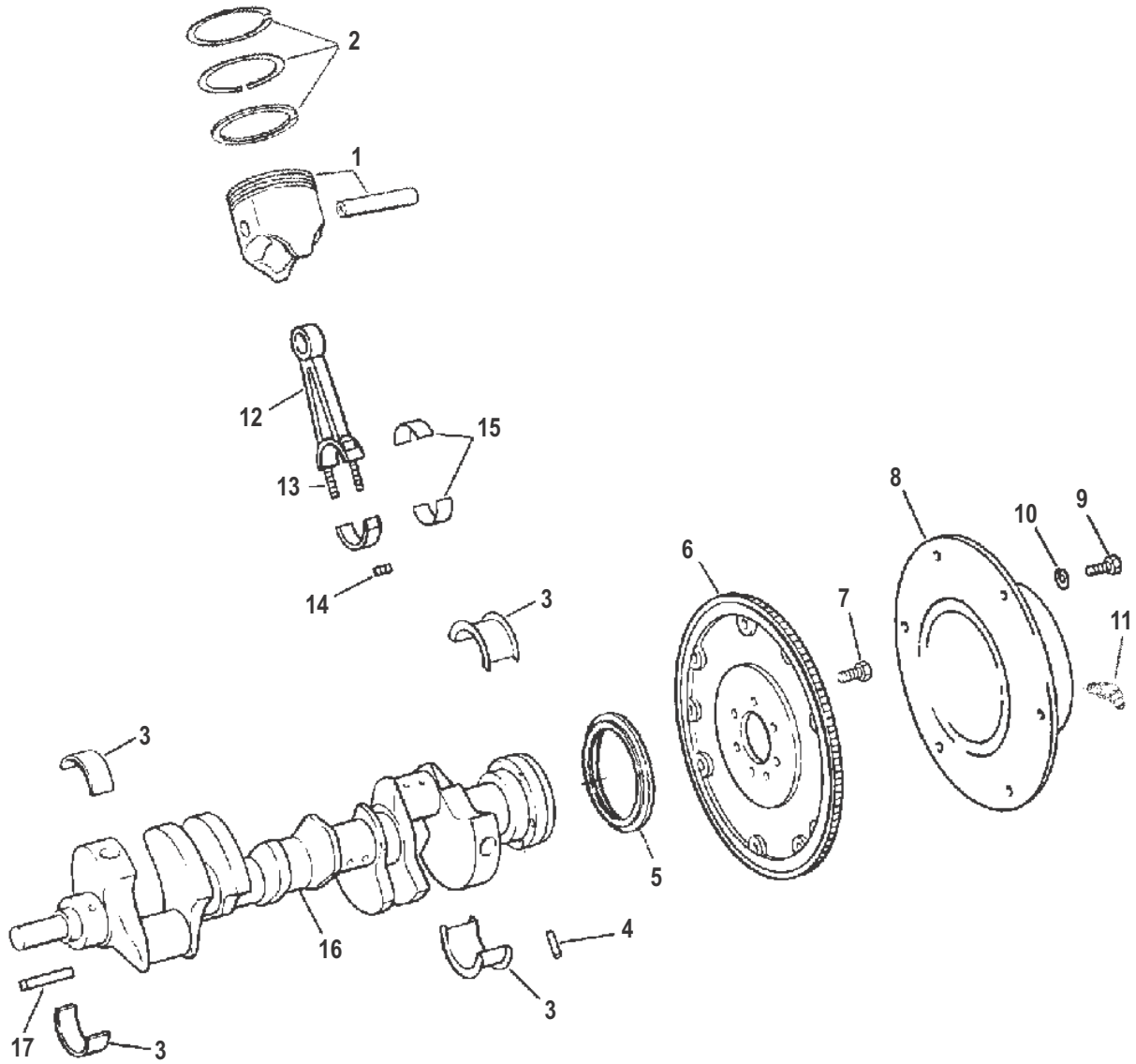
## CYLINDER BLOCK AND CAMSHAFT

Ref #	Part Class	Part Number	Description	Comments	Qty	Note
1		NSS	NOT SOLD SEPARATE CYLINDER BLOCK	(ORDER LONG BLOCK 807739A1)	1	
2	0022	48340	PLUG (.250-18 x .41)		4	
2	0022	48358	PLUG (.375)		2	
3	0022	48556	BUSHING Reducer (.250 To .125)	BRASS DRAIN PLUG	2	
4	0022	328021	PLUG Pipe (.125-27)	BRASS DRAIN PLUG	2	
5	0022	860088	BUSHING Adapter	PLASTIC DRAIN PLUG	2	
6	0022	806608A1	PLUG KIT (.500-13) Royal Blue	PLASTIC DRAIN PLUG	2	[1]
7	0025	806609	QUAD RING	PLASTIC DRAIN PLUG	2	
8	0019	34270	EXPANSION PLUG (1.625)		8	
9	0017	52190	PIN Dowel		4	
10	0019	94140	EXPANSION PLUG (Rear Camshaft Hole)		1	
11	0023	85684	BEARING SET		1	
12	0025	811528	O-RING (.500 Inch) Rear Main Cap Oil Passage		1	
13	0431	850453	CAMSHAFT		1	
14	0000	811580	CHAIN Timing		1	
15	0043	850452	SPROCKET Camshaft		1	
16	0043	811579	SPROCKET Crankshaft		1	
17	0010	35339	SCREW (.312-18 x .750)		3	
18	0017	35312	PIN Dowel (1/4 In. Diameter)		1	
19	0000	850467	LIFTER Roller		16	
20	0000	850474	GUIDE Lifter		8	
21	0000	850479	RETAINER Lifter Guide		1	
22	0010	808707	SCREW (.312-18 x .625) Retainer		4	
23	0000	811663	RETAINER Camshaft		1	
24	0010	17343	SCREW (.250-20 x .500)		1	
-	0000	807739A1	MARINE LONG BLOCK		1	[2]
-	0092	809825	RTV SILICONE (3 Ounce Tube) Metallic Blue		1	
-	0092	342271	SEALING COMPOUND (16 Ounce)		1	

## PART NOTES:

- [1] - Alternate part numbers:  
806608A 1Service Part  
806608Q01QS
- [2] - Alternate part numbers:  
807739A 1QS  
807739R 5Reman

# CRANKSHAFT, PISTONS AND CONNECTING RODS



37901

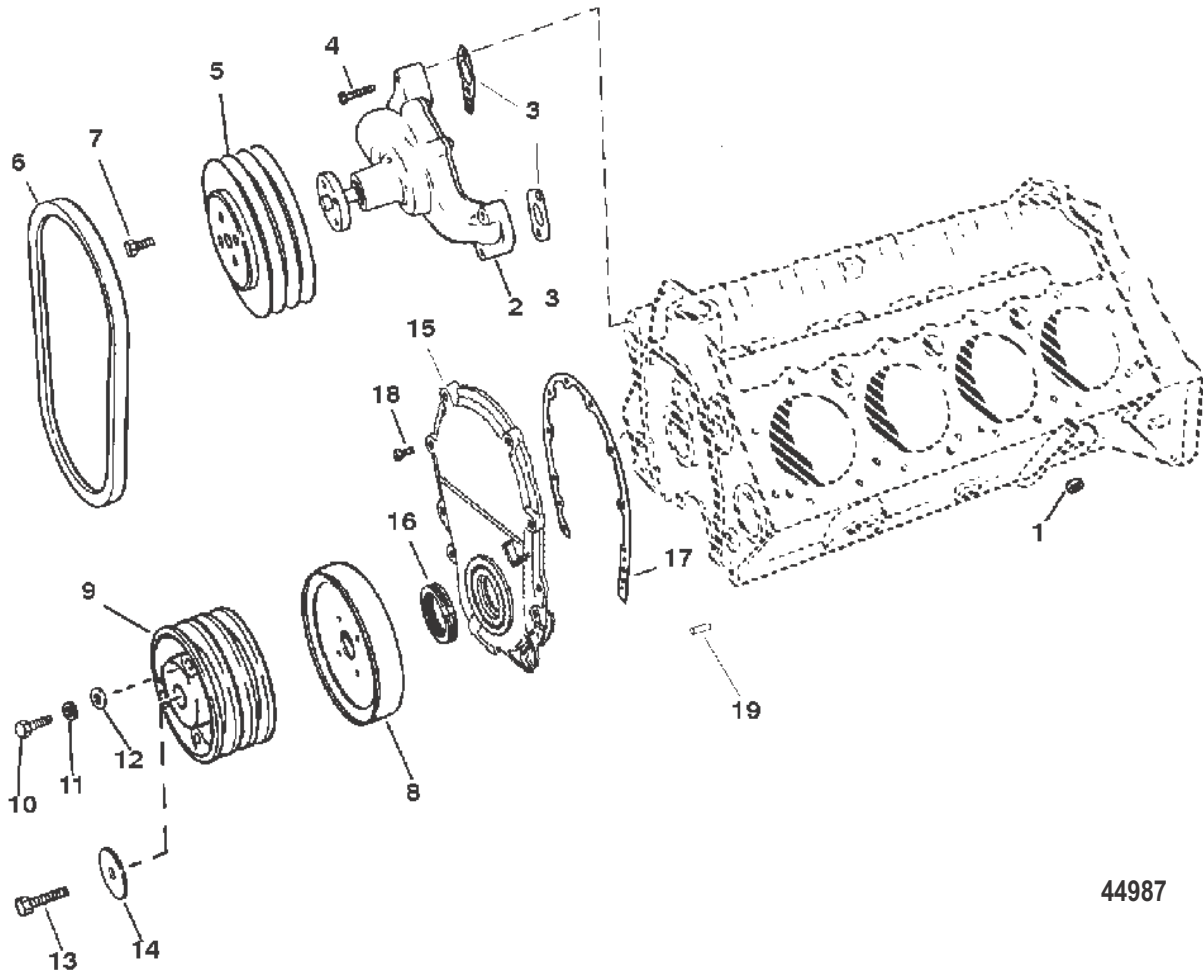
## CRANKSHAFT, PISTONS AND CONNECTING RODS

Ref #	Part Class	Part Number	Description	Comments	Qty	Note
1	0737	808740	PISTON ASSEMBLY (Standard)		8	
1	0737	850449	PISTON ASSEMBLY (.030 O.S.)		AR	[1]
2	0039	827651	RING Piston (Standard)		8	
2	0039	850447	RING Piston (.030 O.S.)		AR	[1]
3	0023	818473	BEARING SET Main - Standard		1	
3	0023	818474	BEARING SET Main - .001 Undersize		AR	[1]
3	0023	818475	BEARING SET Main - .002 Undersize		AR	[1]
3	0023	818476	BEARING SET Main - .010 Undersize		AR	[1]
3	0023	818477	BEARING SET Main - .020 Undersize		AR	[1]
4	0000	FI1100096	PIN Dowel (1/4 Diameter)		1	
5	0026	811554	SEAL Oil		1	[2]
6	0230	811562	FLYWHEEL		1	
7	0010	49845	SCREW (.437-20 x 1.00)		6	
8	0000	18311A17	COUPLER ASSEMBLY Engine		1	
9	0010	14883	SCREW (.375-16 x 1.12)		6	
10	0012	20572	WASHER (.390 x .750 x .093)		6	
11	0022	49099	FITTING Grease		2	
12	0614	3553	CONNECTING ROD		8	
13	0010	52192	BOLT		16	
14	0011	37493	NUT (.375-24)		16	
15	0023	85726	BEARING SET Connecting Rod - Standard		8	
15	0023	85727	BEARING SET Connecting Rod - (.001 Undersize)		AR	[1]
15	0023	85728	BEARING SET Connecting Rod - (.002 Undersize)		AR	[1]
15	0023	85691	BEARING SET Connecting Rod - (.010 Undersize)		AR	[1]
15	0023	85729	BEARING SET Connecting Rod - (.020 Undersize)		AR	[1]
16	0429	811551	CRANKSHAFT		1	
17	0028	811558	KEY		1	
-	0027	805396A95	GASKET SET Overhaul		1	

## PART NOTES:

- [1] - AS REQUIRED  
 [2] - COMPONENT OF OVERHAUL GASKET SET

# WATER PUMP AND FRONT COVER



44987

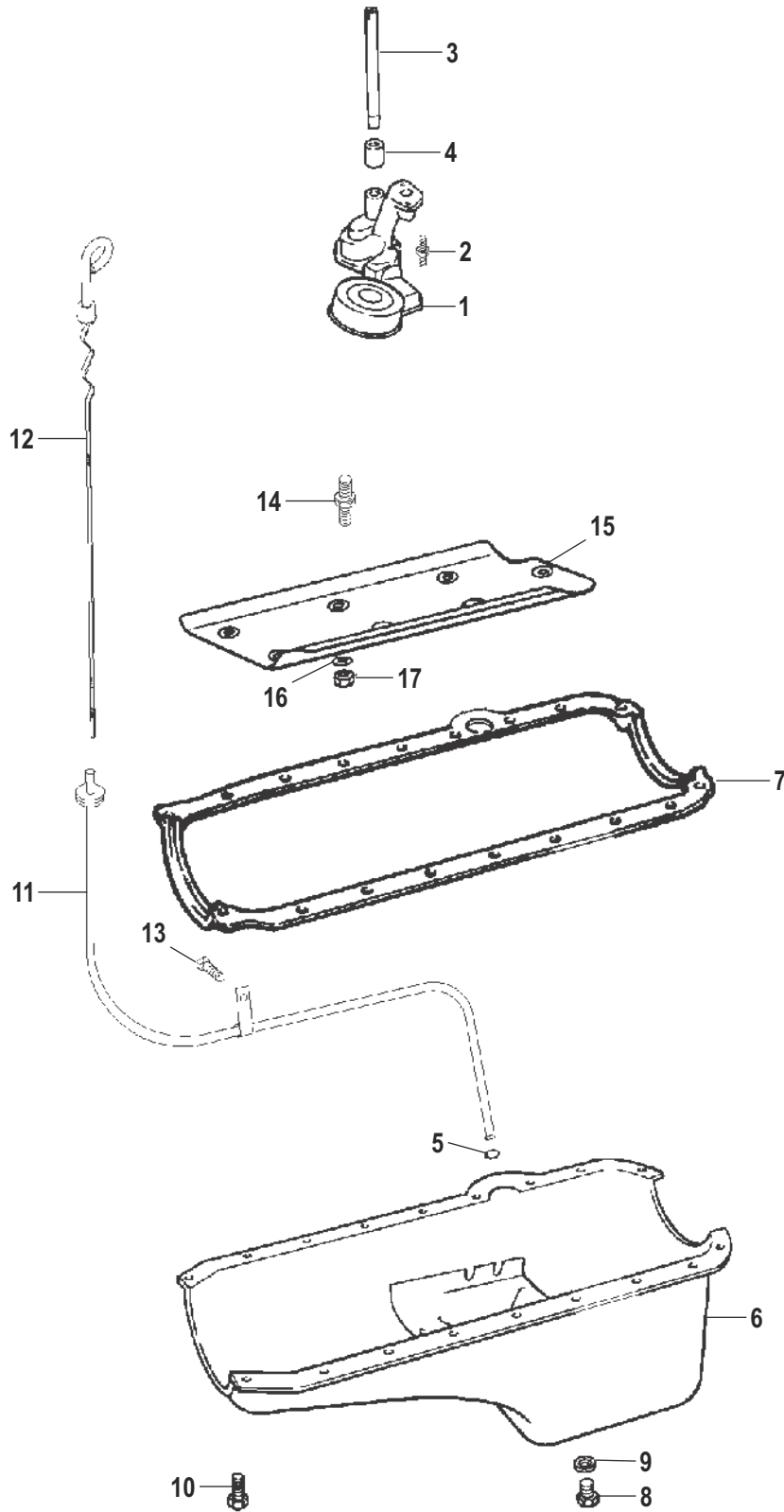
## WATER PUMP AND FRONT COVER

Ref #	Part Class	Part Number	Description	Comments	Qty	Note
1	0000	807211	VALVE Relief Oil By-Pass	(30 PSI)	1	
2	0000	850454	PUMP ASSEMBLY Water		1	
3	0027	49110	GASKET Circulating Water Pump Mount		2	[1]
4	0010	811574	SCREW (.375-16 x 1.750)		4	
5	0000	19692T	PULLEY (7 In. Diameter)		1	
6	0057	48122	BELT (48 Inches)		1	
7	0010	47277	SCREW (.312-24 x .750)		4	
8	0000	850461	BALANCER Harmonic		1	
9	0000	90081T	PULLEY		1	
10	0010	75334	SCREW (.375-24 x 3.00)		3	
11	0013	35048	LOCKWASHER (.375)		3	
12	0012	34714	WASHER		3	
13	0010	811559	SCREW (.500-20 x 2.500)		1	
14	0012	49103	WASHER		1	
15	0000	850459	COVER ASSEMBLY Timing Chain		1	
16	0026	8219471	SEAL Oil		1	[1]
17	0027	850456	GASKET Front Cover Mount		1	[1]
18	0010	850455	SCREW (1/4-20 x 0.5)		6	
19	0017	35312	PIN Dowel (1/4 In. Diameter)		1	
-	0027	805396A95	GASKET SET Overhaul		1	

## PART NOTES:

[1] - COMPONENT OF OVERHAUL GASKET SET

# OIL PAN AND OIL PUMP



37915

## OIL PAN AND OIL PUMP

## OIL PAN AND OIL PUMP

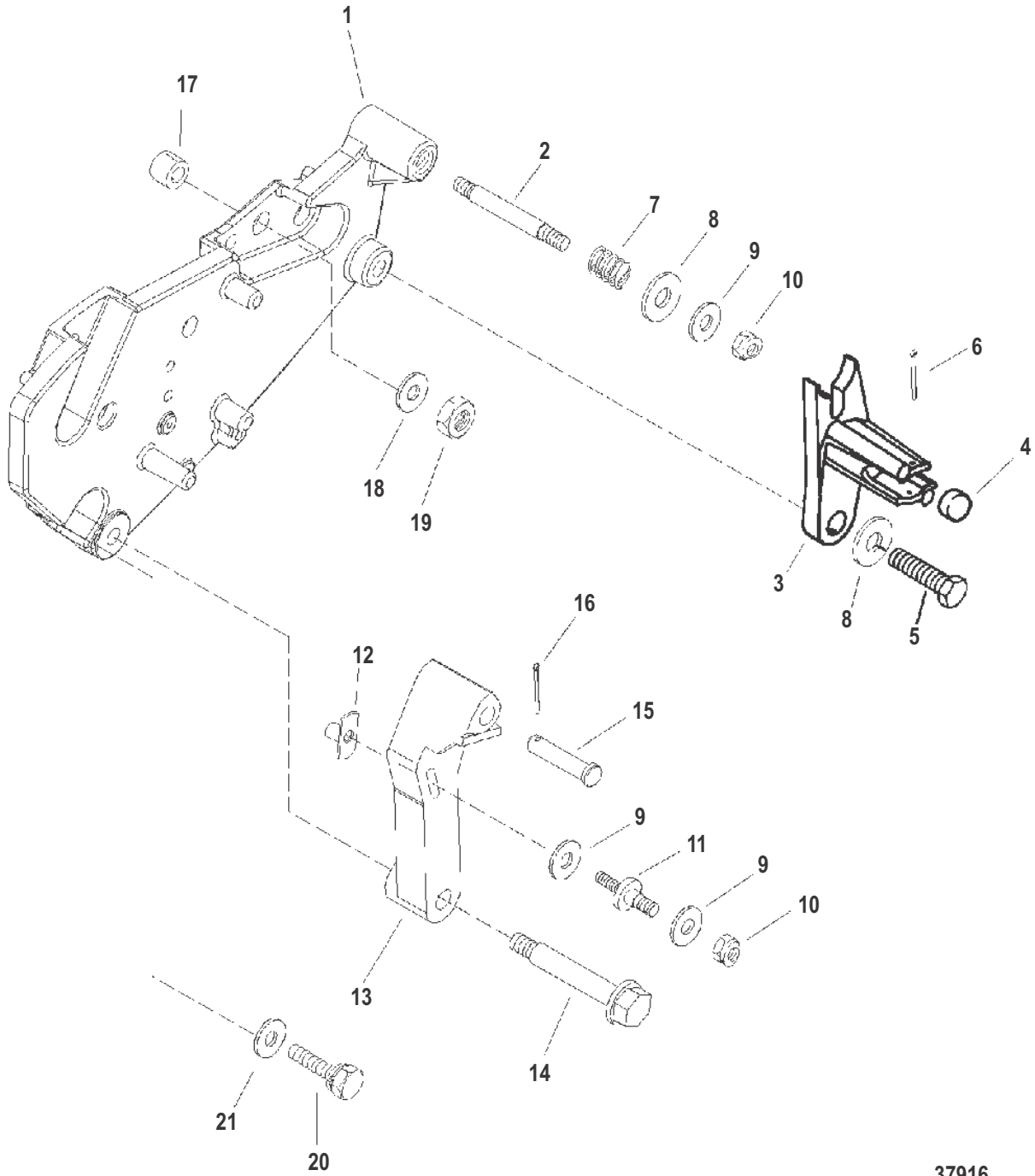
Ref #	Part Class	Part Number	Description	Comments	Qty	Note
1	0000	850457	PUMP ASSEMBLY Oil		1	
2	0016	49108	STUD Oil Pump Mounting		1	
3	0000	14761	SHAFT AND RETAINER		1	
4	0023	36183	RETAINER		1	
5	0025	62704	O-RING (.362 x .103)		1	[1]
6	0000	850458	PAN ASSEMBLY Oil		1	
7	0027	811566	GASKET Oil Pan		1	[1]
8	0010	809911	SCREW Oil Drain (M12 x 1.75)		1	
9	0027	49955	GASKET Drain		1	[1]
10	0010	808707	SCREW (.312-18 x .625)		20	
11	0000	818631A6	TUBE ASSEMBLY Dipstick		1	
12	0000	805567T	DIPSTICK		1	
13	0010	35366	SCREW		1	
14	0016	811683	STUD (.375-16/.500-12 x 5.500)		4	
15	0000	811682	BAFFLE Oil		1	
16	0012	49112	WASHER		5	
17	0011	37500	NUT (3/8-16) (3/8-16)		5	

## PART NOTES:

- [1] - COMPONENT OF OVERHAUL GASKET SET  
COMPONENT OF OVERHAUL GASKET SET



# SHIFT BRACKET

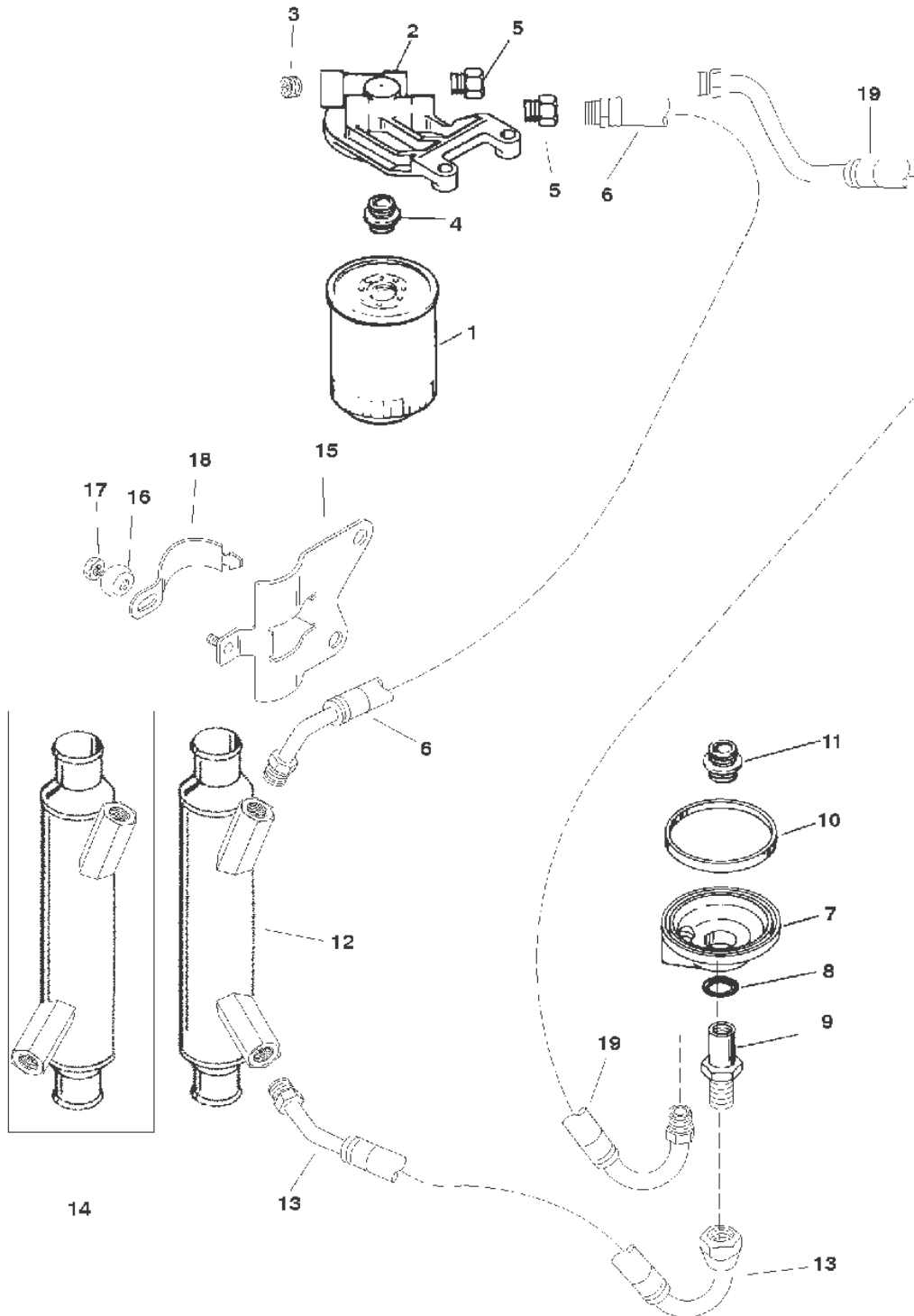


37916

## SHIFT BRACKET

Ref #	Part Class	Part Number	Description	Comments	Qty	Note
1	0000	807962A3	BRACKET ASSEMBLY Shift		1	
2	0016	987981	STUD (.250-20/.250-28 x 2.120)		1	
3	0000	123811	RETAINER		1	
4	0023	98828	SPACER		1	
5	0010	53167	SCREW (.312-18 x .880)		1	
6	0018	32857	COTTER PIN		1	
7	0024	98880	SPRING		1	
8	0012	56720	WASHER (.330 x .750 x .060) Stainless Steel		2	
9	0012	35462	WASHER (.2656 x .625 x .0625) Stainless Steel		5	
10	0011	13438	NUT (.250-28)		2	
11	0016	96112	STUD (.250-28 x 2.00) Throttle Cable Anchor		1	
12	0011	63341	TEE NUT		1	
13	0000	138981	LEVER Shift		1	
14	0010	13743	SCREW (.312-18 x 1.843) Shoulder		1	
15	0017	68402	PIN (.250 x 1.13) Clevis		1	
16	0018	21071	COTTER PIN		1	
17	0023	92152	SPACER (.27 x .75 x .38)		3	
18	0012	35462	WASHER (.2656 x .625 x .0625) Stainless Steel		3	
19	0011	64015	NUT (.250-20)		3	
20		NA	NOT AVAILABLE Not sold with this model		0	
21		NA	NOT AVAILABLE Not sold with this model		0	

# OIL FILTER AND ADAPTOR



38617

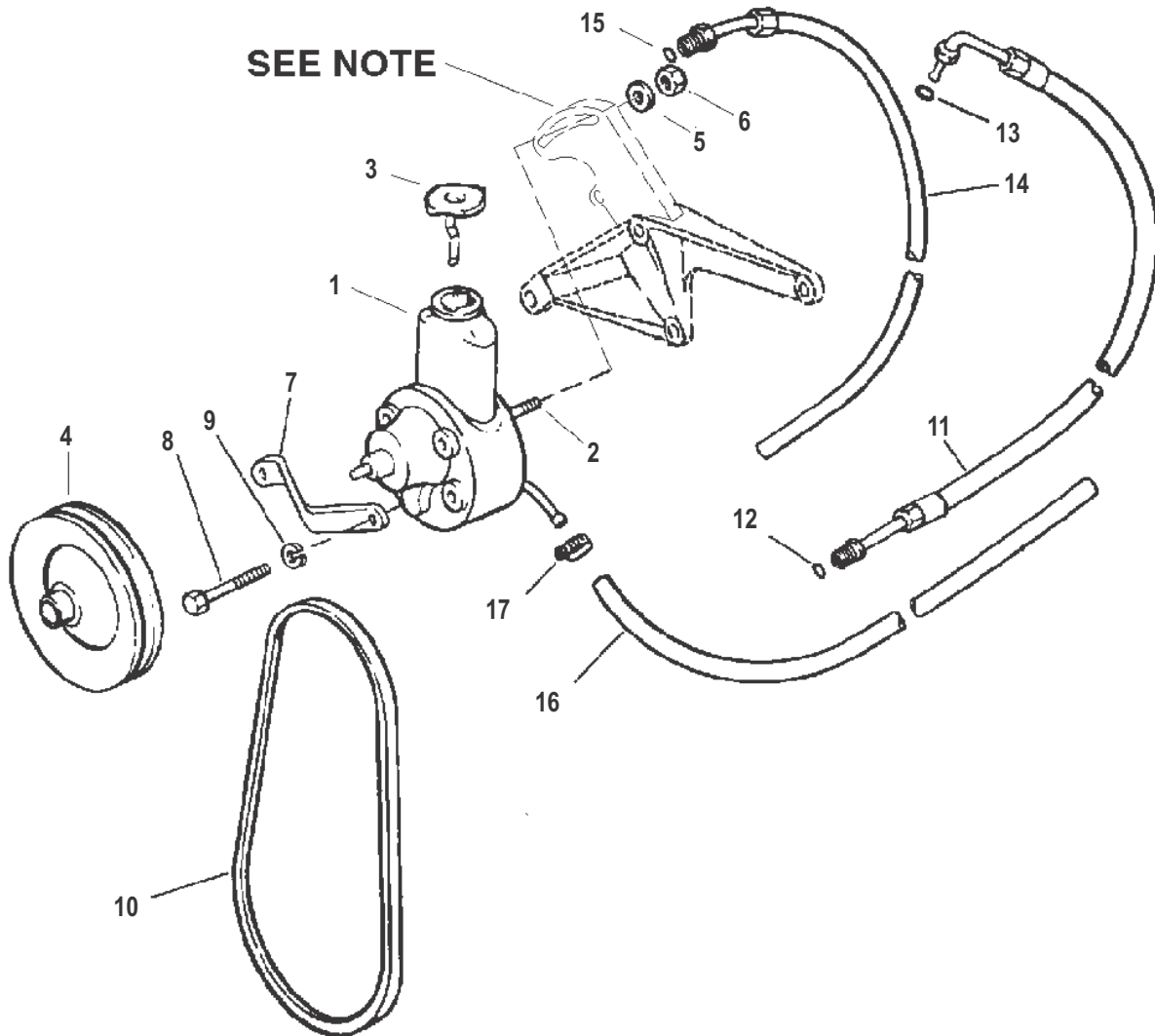
## OIL FILTER AND ADAPTOR

Ref #	Part Class	Part Number	Description	Comments	Qty	Note
1	0000	14957	FILTER Oil		1	[1]
2	0000	817403A4	BRACKET ASSEMBLY		1	
2	0000	814420A5	BRACKET	-SWISS EMISSIONS (BSO1 & SAV1)	1	
3	0022	384071	FITTING (1/2-14) Pipe		2	
4	0022	814822	FITTING		1	
5	0022	805563	CONNECTOR (.500 Inch NPTF To .500 Inch Inverted Flare)		2	
6	0032	807408	HOSE Bracket to Oil Cooler		1	
7	0000	818400A1	ADAPTER		1	
8	0026	42077	SEAL		1	[2]
9	0022	806121	FITTING		1	
10	0027	91892	GASKET		1	[2]
11	0022	805632	CONNECTOR		1	
12	0000	807371T	COOLER Oil	COOLER WITH IN-LINE OIL HOSE CONNECTORS	1	
13	0032	807409	HOSE Cooler to Adaptor	COOLER WITH IN-LINE OIL HOSE CONNECTORS	1	
14	0000	807371T1	COOLER Oil	COOLER WITH OFFSET OIL HOSE CONNECTORS	1	
13	0032	808017	HOSE Cooler to Adaptor	COOLER WITH OFFSET OIL HOSE CONNECTORS	1	
15	0000	808043A1	BRACKET		1	
16	0012	35462	WASHER (.2656 x .625 x .0625) Stainless Steel		1	
17	0011	72008	NUT (.250-20)		1	
18	0000	807445T	CLAMP		1	
19	0032	8062621	HOSE Bracket to Adaptor		1	
-	0027	806640A96	GASKET SET Overhaul		1	

## PART NOTES:

- [1] - Alternate part numbers:  
14957Service Part  
802885QQS  
802885TMPP
- [2] - COMPONENT OF OVERHAUL GASKET SET

# POWER STEERING COMPONENTS

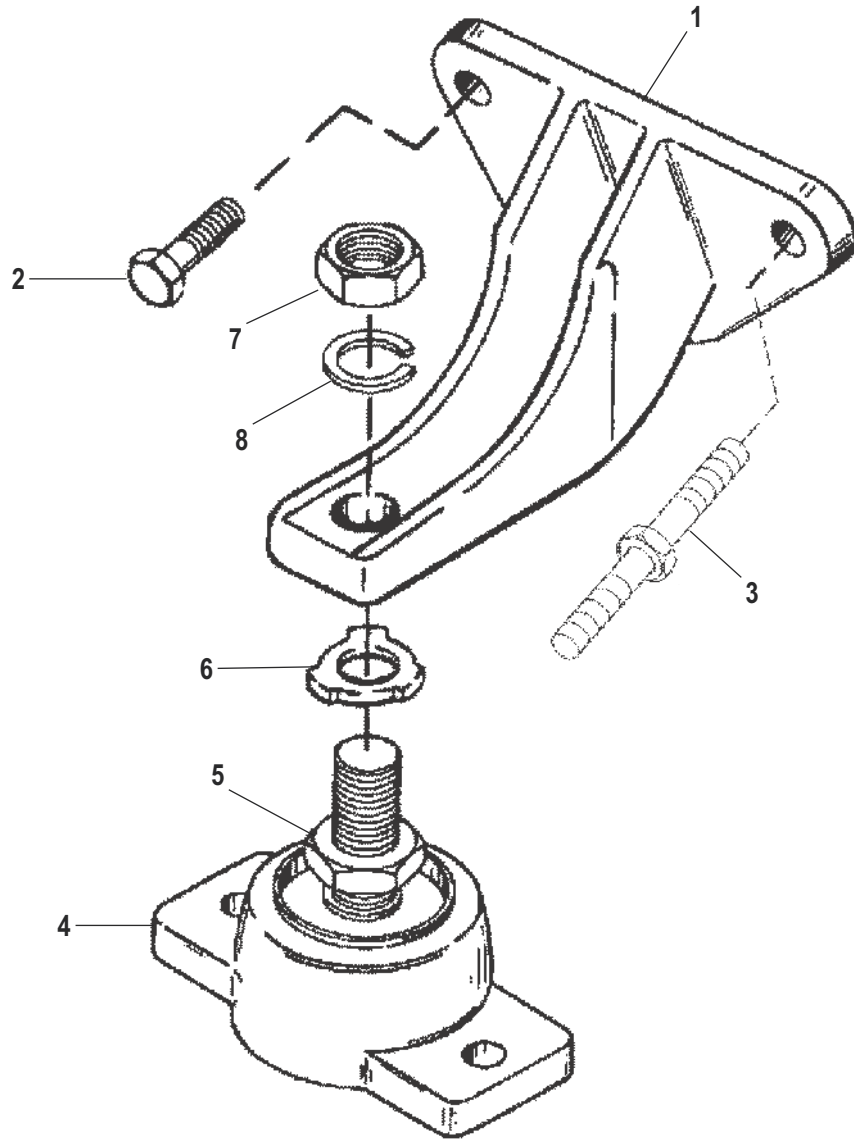


37919

## POWER STEERING COMPONENTS

Ref #	Part Class	Part Number	Description	Comments	Qty	Note
1	0000	16792A1	PUMP ASSEMBLY Power Steering		1	
2	0016	41877	STUD (M10)		2	
3	0036	95805	CAP		1	
4	0000	73873A1	PULLEY		1	
5	0023	72057	SPACER (1.00 Outside Diameter x .125 x Thick)		2	
6	0011	90517	NUT (M10)		2	
7	0000	98813A1	BRACE		1	
8	0010	40001188	SCREW (M10 x 20)		1	
9	0013	400248	LOCKWASHER (M10)		1	
10	0057	812427T	V BELT		1	
11	0032	80622216	HOSE	(FITTINGS ON BOTH ENDS)	1	
12	0025	89879	O-RING (.301 x .064)		1	
13	0025	806232	O-RING (.239 x .064)		1	
14	0032	80622142	HOSE ASSEMBLY (84.00 Inches Bulk) Return	(FITTING ON ONE END)	1	
15	0025	89879	O-RING (.301 x .064)		1	
16	0032	5251914	HOSE (53.00 Inches Bulk) Pump to Oil Cooler		1	
17	0054	815504206	CLAMP Worm Gear		3	

# ENGINE MOUNTING



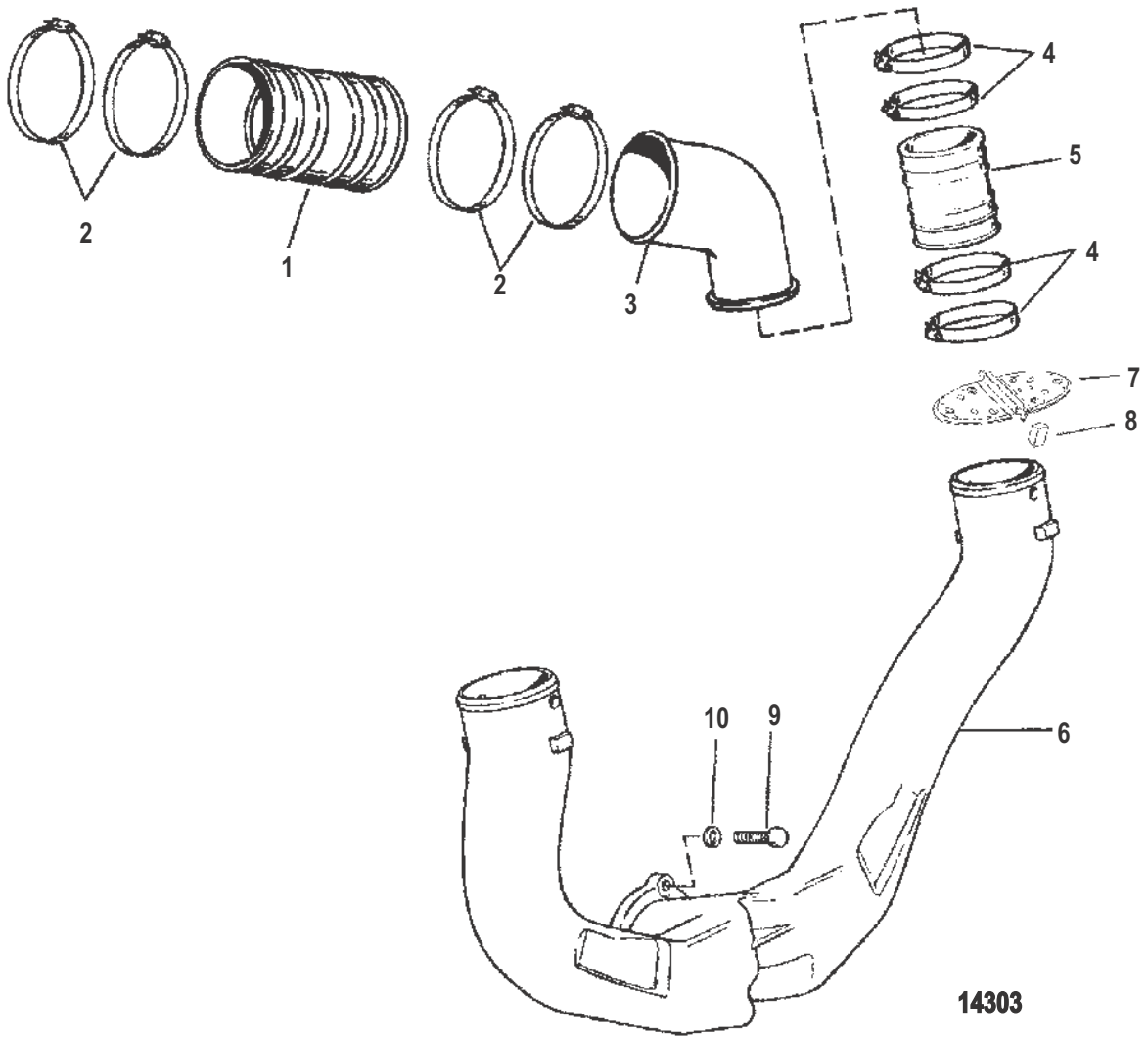
35660

## ENGINE MOUNTING

Ref #	Part Class	Part Number	Description	Comments	Qty	Note
1	0000	79550A1	BRACKET		2	
2	0010	68101	SCREW (.375-16 x 1.375)	USE WITH VST FUEL SYSTEM	6	
2	0010	68101	SCREW (.375-16 x 1.375)	USE WITH FUEL COOLED SYSTEM	2	
3	0016	805357	STUD (.375-16 x 2.130)	USE WITH FUEL COOLED SYSTEM	4	
4	0000	814263A1	BASE ASSEMBLY		2	
5	0011	816331	NUT (.750-16) Jam		2	
6	0014	12657	TAB WASHER		2	
7	0011	49252	NUT Jab (3/4-16)		2	
8	0013	68102	LOCKWASHER (.750)		2	
NS	0054	97862	CLAMP		2	



# EXHAUST SYSTEM



14303

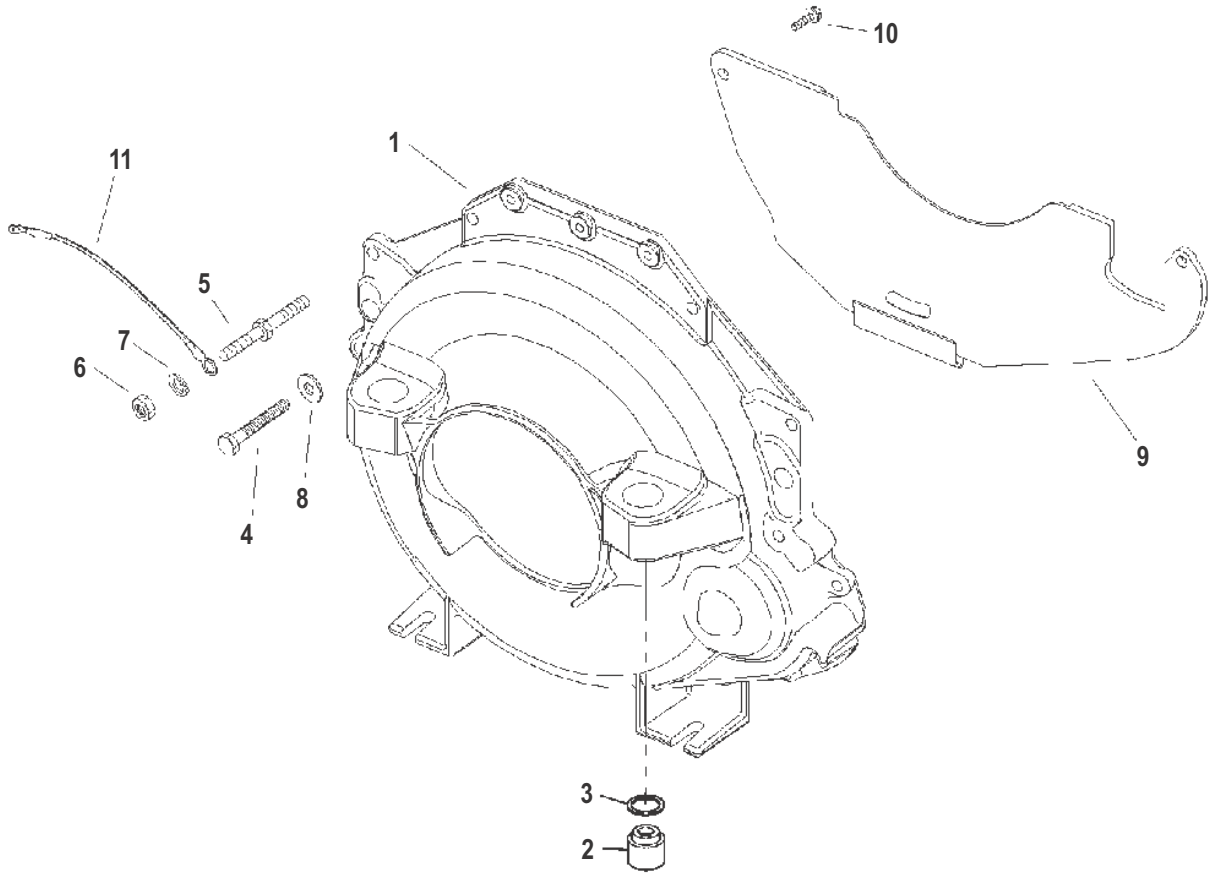
## EXHAUST SYSTEM

Ref #	Part Class	Part Number	Description	Comments	Qty	Note
1	0032	44348T	TUBE Exhaust		2	
2	0054	815504372	CLAMP Worm Gear		8	
3	0000	44267T	ELBOW Exhaust		2	
3	0000	807963A1	ELBOW ASSEMBLY Exhaust	(USE WITH 3 IN. & 6 IN. RISER KIT)	AR	[1]
4	0054	815504372	CLAMP Worm Gear		8	
5	0032	14358T	TUBE Exhaust		2	
6	0000	807130A4	PIPE Exhaust		1	
7	0000	807166A1	SHUTTER ASSEMBLY Water		2	
8	0025	807167	GROMMET		4	
9	0010	58640	SCREW (.375-16 x 1.25)		4	
10	0013	41471	LOCKWASHER (.375)		4	

## PART NOTES:

[1] - AS REQUIRED

# FLYWHEEL HOUSING

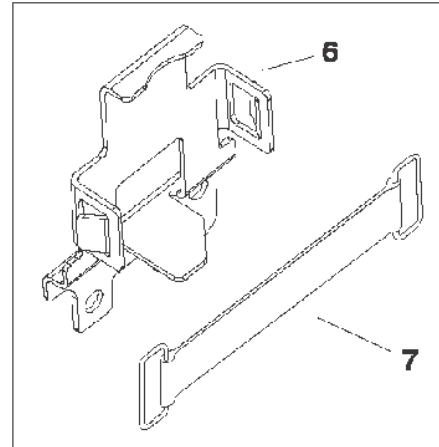
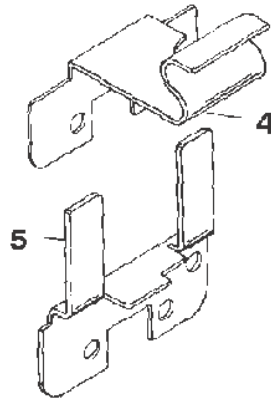
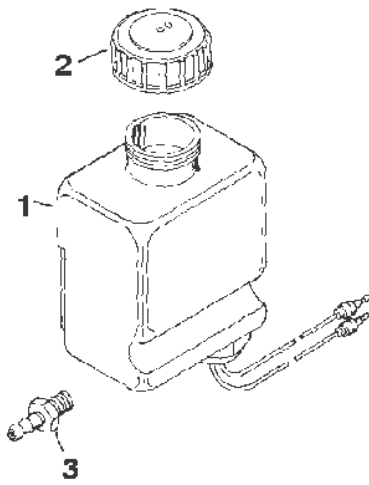


37922

## FLYWHEEL HOUSING

Ref #	Part Class	Part Number	Description	Comments	Qty	Note
1	0000	12675A7	HOUSING ASSEMBLY Flywheel		1	
2	0000	88791	MOUNT Rubber		2	
3	0023	99322	SPACER		2	
4	0010	37612	SCREW (.375-16 x 1.250)		3	
4	0010	32132	SCREW (.375-16 x 1.750)		1	
5	0016	805357	STUD (.375-16 x 2.130) Grounding		2	
6	0011	32219	NUT (.375-16)		2	
7	0013	35048	LOCKWASHER (.375)		4	
8	0012	20572	WASHER (.390 x .750 x .093)		1	
9	0000	818719A1	COVER	METAL COVER	1	
10	0010	32773	SCREW (.250-20 x .875)	METAL COVER	2	
9	0000	807260A2	COVER KIT Flywheel	PLASTIC COVER	1	
10	0010	76596	SCREW (.250-20 x 1.250)	PLASTIC COVER	2	
11	0084	62826A6	CABLE ASSEMBLY Ground (13.00 Inches) Black		1	

# OIL RESERVOIR BOTTLE AND BRACKET

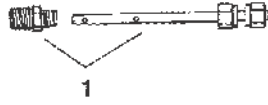


38620

**OIL RESERVOIR BOTTLE AND BRACKET**

<b>Ref #</b>	<b>Part Class</b>	<b>Part Number</b>	<b>Description</b>	<b>Comments</b>	<b>Qty</b>	<b>Note</b>
1	0000	806193A3	RESERVOIR ASSEMBLY Oil		1	
2	0036	808625	CAP Drive Lube Monitor Oil Bottle		1	
3	0022	808624	CONNECTOR		1	
4	0000	806293T	BRACKET Clip	DESIGN I	1	
5	0000	807024T	BRACKET	DESIGN I	1	
6	0000	860065A1	BRACKET KIT Oil Bottle	DESIGN II	1	
7	0000	808023T	STRAP Bracket	DESIGN II	1	

# Swiss Emissions Parts (BSO1 And SAV1)



14308

**Cat.# 90-809994965**

## Swiss Emissions Parts (BSO1 And SAV1)

Ref #	Part Class	Part Number	Description	Comments	Qty	Note
1	0091	806141A1	PROBE ASSEMBLY		2	

---

Swiss Emissions Parts (BSO1 And SAV1)



# PARTS INDEX

Part No.	Description	Pg.	Ref.no	Part No.	Description	Pg.	Ref.no
11178	BREAKER Circuit - 50 Ampere	14	13	11375	STUD (.375 x 9.56)	38	20
12244	SCREW (.375-16 x 1.00)	38	10	123811	RETAINER	64	3
12657	TAB WASHER	70	6	12675A7	HOUSING ASSEMBLY Flywheel	74	1
13438	NUT (.250-28)	64	10	13457T	BELT	52	25
13743	SCREW (.312-18 x 1.843) Shoulder	64	14	138981	LEVER Shift	64	13
14358T	TUBE Exhaust	72	5	14761	SHAFT AND RETAINER	62	3
14883	SCREW (.375-16 x 1.12)	58	9	14957	FILTER Oil	66	1
15001	SCREW (#8-16 x .875)	22	5	15295T	BRACKET	52	26
15751T	BRACE	52	33	1589418	HOSE Breather Vent	54	30
16792A1	PUMP ASSEMBLY Power Steering	68	1	17343	SCREW (.250-20 x .500)	56	24
17422	FILTER	34	10	1743579	HOSE (96.00 Inches Bulk) Seawater Pump to Drive Unit	42	11
1743579	HOSE (96.00 Inches Bulk) Sea Water Pump to Transom	44	12	17965	SCREW (.437-14 x .70)	48	32
17965	SCREW (.437-14 x .70)	52	28	18311A17	COUPLER ASSEMBLY Engine	58	8
19064	BUSHING	26	7	19183	WASHER Fiber	48	25
19692T	PULLEY (7 In. Diameter)	60	5	20084	WASHER (.328 x .562 x .062)	48	4
20084	WASHER (.328 x .562 x .062)	52	5	20533	WASHER	14	24
20553	WASHER (.406 x .734 x .063)	4	21	20572	WASHER (.390 x .750 x .093)	44	23
20572	WASHER (.390 x .750 x .093)	58	10	20572	WASHER (.390 x .750 x .093)	74	8
21071	COTTER PIN	64	16	21825	NUT (.250-28)	4	9
21908	NUT (.312-18) Cad Plated	48	26	21908	NUT (.312-18) Cad Plated	52	32
22024	NUT (.437-14)	48	40	22248	WASHER (.453 x .875 x .060)	4	19
22248	WASHER (.453 x .875 x .060)	22	3	23161	NUT (.375-24)	4	23
23720	RING Retaining	48	21	23720	RING Retaining Snap	52	19
26079A2	PLATE KIT Wire Harness Mount	22	4	26168	WASHER	4	15
26419	NUT (#8-32) Brass	14	7	269011	BUMPER Rubber	30	22
26992	LOCKWASHER (.250) Stainless Steel	4	28	26992	LOCKWASHER (.250) Stainless Steel	14	8
26995	LOCKWASHER (#8) Stainless Steel	14	6	26996	LOCKWASHER (#10) Stainless Steel	4	6
26996	LOCKWASHER (#10) Stainless Steel	4	26	26996	LOCKWASHER (#10) Stainless Steel	14	16
26996	LOCKWASHER (#10) Stainless Steel	22	8	27025	WASHER	52	30
28001	WASHER (.188 x .438 x .049)	34	32	28770	NUT (.312-24) Stainless Steel	38	7
29085	FITTING Elbow (45 Degree)	22	10	29198	SCREW AND LOCKWASHER (.312-18 x .875)	4	14
29250	NUT (.312-24)	24	9	29598	NUT (.250-28) Stainless Steel	30	12
30315	WASHER	52	36	31263	WASHER	4	13
32132	SCREW (.375-16 x 1.750)	74	4	32219	NUT (.375-16)	74	6
32561	PLUG Pipe - Allen Head (.250-18)	24	7	32561	PLUG Pipe - Allen Head (.250-18)	32	3
32773	SCREW (.250-20 x .875)	74	10	32783	RETAINER Three Wire	18	23
328021	PLUG Pipe (.125-27)	38	18	328021	PLUG Pipe (.125-27)	56	4
32803	PLUG Pipe (.375-18) Brass	42	2	32803	PLUG Pipe (.375-18) Brass	44	2
32857	COTTER PIN	64	6	32993	LOCKWASHER (.437)	4	12
32993	LOCKWASHER (.437)	48	39	32993	LOCKWASHER (.437)	48	42
32993	LOCKWASHER (.437)	52	29	32993	LOCKWASHER (.437)	52	35
33186	BUSHING	4	22	33198A1	PLUG (3/4-14) Pipe	38	2
33198A1	PLUG (3/4-14) Pipe	38	17	33290	RING Retaining	6	12
33291	COLLAR	6	11	33821	CONNECTOR	32	4
34109	PIN	18	16	34213	GASKET Fuel Pump	24	2
342271	SEALING COMPOUND (16 Ounce)	56	-	34270	EXPANSION PLUG (1.625)	56	8
34354	SCREW (.375-16 x 1.50)	24	3	344863	GASKET Distributor	18	27
34713	STUD (.375 x 6.5)	38	20	34714	WASHER	60	12
35045	NUT (.250-28)	54	24	35048	LOCKWASHER (.375)	24	4
35048	LOCKWASHER (.375)	48	31	35048	LOCKWASHER (.375)	52	38
35048	LOCKWASHER (.375)	60	11	35048	LOCKWASHER (.375)	74	7
35312	PIN Dowel (1/4 In. Diameter)	56	18	35312	PIN Dowel (1/4 In. Diameter)	60	19
35339	SCREW (.312-18 x .750)	56	17	35366	SCREW	62	13
35462	WASHER (.2656 x .625 x .0625) Stainless Steel	14	10	35462	WASHER (.2656 x .625 x .0625) Stainless Steel	14	20
35462	WASHER (.2656 x .625 x .0625) Stainless Steel	42	23	35462	WASHER (.2656 x .625 x .0625) Stainless Steel	64	9
35462	WASHER (.2656 x .625 x .0625) Stainless Steel	64	18	35462	WASHER (.2656 x .625 x .0625) Stainless Steel	66	16
3553	CONNECTING ROD	58	12	35765A1	SCREW AND LOCKWASHER (.312-18 x .625)	44	26
35786	SCREW (.375-24 x 1.00)	52	37	36183	RETAINER	62	4
36533	WASHER (.328 x .562 x .0312) Copper	30	18	37293	SENDER ASSEMBLY Oil Pressure	22	7

# PARTS INDEX

Part No.	Description	Pg.	Ref.no	Part No.	Description	Pg.	Ref.no
37493	NUT (.375-24)	58	14	37500	NUT (3/8-16) (3/8-16)	62	17
37612	SCREW (.375-16 x 1.250)	38	4	37612	SCREW (.375-16 x 1.250)	38	4
37612	SCREW (.375-16 x 1.250)	74	4	384071	FITTING (1/2-14) Pipe	66	3
39107	LOCKWASHER (.312-24)	4	5	39107	LOCKWASHER (.312-24)	42	26
39107	LOCKWASHER (.312-24)	48	27	39107	LOCKWASHER (.312-24)	52	24
39107	LOCKWASHER (.312-24)	52	31	40001188	SCREW (M10 x 20)	68	8
400211	NUT (M5) Stainless Steel	4	4	400248	LOCKWASHER (M10)	68	9
41471	LOCKWASHER (.375)	72	10	41877	STUD (M10)	68	2
42077	SEAL	66	8	42600A3	CONTROLLER ASSEMBLY Mercathode	14	28
42897	FITTING (Straight)	24	11	43276	ELBOW (90 Degree)	24	5
43749	SCREW (.375-16 x 5.750)	38	10	44267T	ELBOW Exhaust	72	3
44348T	TUBE Exhaust	72	1	44387	SCREW (.376-16 x 6.750)	38	10
45592	NUT (.312-24)	32	12	45862	SCREW (#10-32 x .875)	14	14
46132	WASHER	38	21	46335	NUT (.375-24)	38	22
46335	NUT (.375-24)	52	39	46350	WASHER	18	13
46820	GASKET	38	3	46982	FITTING (90 Degree) (Inlet Fuel Line)	24	17
47277	SCREW (.312-24 x .750)	52	23	47277	SCREW (.312-24 x .750)	60	7
47461	SCREW (.437-14 x 1.00)	22	2	47461	SCREW (.437-14 x 1.00)	52	27
47461	SCREW (.437-14 x 1.00)	52	34	47462	SCREW (.437-14 x 1.250)	4	11
47462	SCREW (.437-14 x 1.250)	4	17	47462	SCREW (.437-14 x 1.250)	48	41
47530	HUB	52	21	47715	CLIP	44	25
48122	BELT (48 Inches)	60	6	48308	SCREW (.375-24 x 3.750)	4	20
48340	PLUG (.250-18 x .41)	56	2	48358	PLUG (.375)	56	2
48556	BUSHING Reducer (.250 To .125)	56	3	49099	FITTING Grease	58	11
49103	WASHER	60	14	49105	BOLT (4.125 Inch)	54	20
49106	BOLT (2.00 Inch)	54	19	49108	STUD Oil Pump Mounting	62	2
49110	GASKET Circulating Water Pump Mount	60	3	49112	WASHER	62	16
49134	VALVE Intake	54	7	49252	NUT Jab (3/4-16)	70	7
49734A1	SENDER ASSEMBLY Water Temperature	22	6	49845	SCREW (.437-20 x 1.00)	58	7
49955	GASKET Drain	62	9	52185	CLAMP	18	25
52190	PIN Dowel	56	9	52192	BOLT	58	13
5251914	HOSE (53.00 Inches Bulk) Pump to Oil Cooler	68	16	52698	SLEEVE	34	14
52822T	PULLEY	52	22	530451	GASKET Thermostat Housing	42	4
530451	GASKET Thermostat Housing	44	4	53167	SCREW (.312-18 x .880)	64	5
54530	KEY Rocker	54	13	54676	RETAINER Two Wire	18	22
56681	WASHER (.203 x .500 x .032)	14	29	56682	SCREW (#10-24 x .750)	26	18
56720	WASHER (.330 x .750 x .060) Stainless Steel	64	8	58640	SCREW (.375-16 x 1.25)	72	9
593621	IMPELLER	48	12	593621	IMPELLER	52	12
59501A1	SHAFT	52	18	59571	SPARK PLUG	18	28
61356	NUT (#10-32) Reduced Hex	14	15	62568	SCREW (#10-16 x .375)	14	32
62704	O-RING (.362 x .103)	62	5	62826A6	CABLE ASSEMBLY Ground (13.00 Inches) Black	74	11
63341	TEE NUT	64	12	64013	FITTING (.375 Male To .125 Female)	22	15
64015	NUT (.250-20)	14	4	64015	NUT (.250-20)	14	11
64015	NUT (.250-20)	14	21	64015	NUT (.250-20)	64	19
68101	SCREW (.375-16 x 1.375)	70	2	68101	SCREW (.375-16 x 1.375)	70	2
68102	LOCKWASHER (.750)	70	8	68219	NUT (#10-32) Stainless Steel	14	17
68219	NUT (#10-32) Stainless Steel	14	31	68219	NUT (#10-32) Stainless Steel	22	9
68402	PIN (.250 x 1.13) Clevis	64	15	68727	FITTING (.250-18) 90 Degree - Brass	36	46
69143T	V BELT	48	37	72008	NUT (.250-20)	42	24
72008	NUT (.250-20)	66	17	72057	SPACER (1.00 Outside Diameter x .125 x Thick)	68	5
72785	SEAL Oil	52	20	72821	RETAINER	18	21
72961	BEARING Ball	48	20	72961	BEARING Ball	52	17
73275	SCREW (.312-18 x 2.88)	52	4	73286	SCREW (.250-20 x .500) Stainless Steel	34	25
7381567	TUBING (42.00 Inches Bulk) Fuel Pump to T-fitting	24	14	7381567	TUBING (42.00 Inches Bulk)	26	26
7381567	TUBING (42.00 Inches Bulk)	36	44	73873A1	PULLEY	68	4
74822	SCREW (.312-18 x 3.500)	48	10	74822	SCREW (.312-18 x 3.500)	52	10
75334	SCREW (.375-24 x 3.00)	60	10	76596	SCREW (.250-20 x 1.250)	14	23
76596	SCREW (.250-20 x 1.250)	74	10	76926	SCREW (.375-16 x .875)	48	30
77054	TIE STRAP (14.50 Inches)	42	19	772233	PAD	44	20
79023A91	FUSE ASSEMBLY 90 Ampere	4	8	79091	FUSE 20 Ampere	22	19
79550A1	BRACKET	70	1	79695	BOOT Insulator - Black	4	7

# PARTS INDEX

Part No.	Description	Pg.	Ref.no	Part No.	Description	Pg.	Ref.no
79953A2	SCREW KIT (.375-16 x .250) Drain	48	24	79989	NUT (#10-24) Stainless Steel	4	27
805059	FITTING Reducer	22	13	805062	O-RING (.530 x .082)	30	7
805063	O-RING (.301 x .070)	30	5	805189	SCREW (.375-16 x .750)	18	19
8052151	GASKET	48	5	8052151	GASKET	52	3
805217A1	SENSOR ASSEMBLY	34	19	805218T	SENSOR Coolant Temperature	22	12
805222A1	DISTRIBUTOR ASSEMBLY	18	1	805223T	SENSOR MAT	36	45
805224A1	MOTOR ASSEMBLY IAC	34	33	805225A1	INJECTOR ASSEMBLY Fuel	34	8
805226A1	SENSOR ASSEMBLY TPS	34	30	805227A1	REGULATOR ASSEMBLY Fuel Pressure	26	15
805233A2	MANIFOLD ASSEMBLY Intake	34	1	805240A1	PLENUM ASSEMBLY Intake	34	13
805243A12	THROTTLE BODY ASSEMBLY	34	28	8053432	SCREW (.375-16 x 4.33)	4	2
805357	STUD (.375-16 x 2.130)	70	3	805357	STUD (.375-16 x 2.130) Grounding	74	5
805364A1	DECAL SET Color Coding (Color Code)	2	-	805390	SCREW (.312-18 x 2.250)	34	23
805391	SCREW (.312-18 x 4.500)	34	22	805392	SCREW (1/4-20 x 5.0)	26	6
805396	GASKET Throttle Body	34	29	805396A95	GASKET SET Overhaul	18	-
805396A95	GASKET SET Overhaul	24	-	805396A95	GASKET SET Overhaul	26	-
805396A95	GASKET SET Overhaul	36	-	805396A95	GASKET SET Overhaul	38	-
805396A95	GASKET SET Overhaul	42	-	805396A95	GASKET SET Overhaul	54	-
805396A95	GASKET SET Overhaul	58	-	805396A95	GASKET SET Overhaul	60	-
805399	STUD	36	37	805400	SCREW (#8-32 x .500) Stainless Steel	34	31
805400	SCREW (#8-32 x .500) Stainless Steel	34	34	805401A2	FLAME ARRESTOR	34	36
805402	NUT Acorn	36	38	805403A1	GASKET SET	34	3
805405T	FUEL RAIL Fuel	26	9	805406	FILTER Pressure Regulator	26	17
805406	FILTER	30	14	805407	O-RING (.346 x .075)	26	23
805408	VALVE Rail Pressure Service	26	13	805412	SEAL	34	20
805413T	BRACKET Throttle Cable	34	24	805435A1	LINE ASSEMBLY Fuel Fuel Rail to VST	26	4
805437	CLIP	26	11	805439T3	LID Electrical Box	14	27
805441T1	BRACKET/LIFTING EYE (Rear)	22	1	805443T	MODULE ASSEMBLY Spark Control	14	3
805511A1	SEALING KIT Fuel Injector	34	9	805514A1	FITTING ASSEMBLY Outlet	26	21
805515	CAP Shrader Valve - Brass	26	14	805519	FITTING Barb (.250 Inch)	34	5
805519	FITTING Barb (.250 Inch)	34	15	805522A1	GASKET SET	34	17
805531	O-RING (.476 x .075)	26	16	805544T	SENSOR ASSEMBLY Knock	22	11
805546A2	BRACKET Transmission Oil Cooler	44	19	805553	O-RING	26	22
805556T1	BRACKET Fuel Filter Base	24	15	805557	SCREW (5/16-18 x .50)	26	12
805559	SCREW (.375-16 x .875) Stainless Steel	18	26	805562	NUT (#10-24)	14	25
805562	NUT (#10-24)	14	30	805562	NUT (#10-24)	26	20
805563	CONNECTOR (.500 Inch NPTF To .500 Inch Inverted Flare)	66	5	805567T	DIPSTICK	62	12
805598	FITTING (.1875) Barb	34	16	805605A1	SWITCH ASSEMBLY Oil Pressure	22	14
805615A2	THUMB SCREW ASSEMBLY Thumb	14	18	805622	GROMMET	54	25
805632	CONNECTOR	66	11	805637T	LINE Fuel Fuel Filter to Fuel Pump	24	12
80568932	HOSE Vent	26	3	805691	FITTING (.250) Barb	34	2
805698	SCREW (1/4-20 x 1.75)	26	10	805703	FUSE 10 Ampere	14	26
805704	FUSE 15 Ampere	14	26	805706	STUD	54	23
805727	CAP Rubber	38	14	805884T	ALTERNATOR	4	24
805884T	ALTERNATOR	8	-	805970	O-RING	26	5
805970	O-RING	30	25	8059871	HOSE Water Pump To Intake Manifold Bypass	34	11
806121	FITTING	66	9	806141A1	PROBE ASSEMBLY	78	1
80617333	HOSE Pressure Regulator to Intake Manifold Fitting	36	43	80617370	HOSE	30	19
80617377	HOSE	30	27	80617463	HOSE (33.00 Inches Bulk)	54	28
806193A3	RESERVOIR ASSEMBLY Oil	76	1	806217A12	HARNES ASSEMBLY	10	-
80622142	HOSE ASSEMBLY (84.00 Inches Bulk) Return	68	14	80622216	HOSE	68	11
806232	O-RING (.239 x .064)	68	13	806235A1	HOUSING ASSEMBLY Thermostat	42	1
806235A1	HOUSING ASSEMBLY Thermostat	44	1	806242	CONNECTOR	34	4
8062621	HOSE Bracket to Adaptor	66	19	806293T	BRACKET Clip	76	4
806394A1	BRACKET Alternator & Power Steering	4	16	806591	STUD (7/16-14)	48	38
806603	VALVE PVC	54	27	806608A1	PLUG KIT (.500-13) Royal Blue Drain	30	9
806608A1	PLUG KIT (.500-13) Royal Blue Drain	38	12	806608A1	PLUG KIT (.500-13) Royal Blue	56	6
806609	QUAD RING	30	10	806609	QUAD RING	38	13
806609	QUAD RING	56	7	806616	CLAMP	42	18
806617	CLIP Hose Fuel Line	24	16	806640A96	GASKET SET Overhaul	66	-

# PARTS INDEX

Part No.	Description	Pg.	Ref.no	Part No.	Description	Pg.	Ref.no
806689	FITTING Tee	26	25	806689	FITTING Tee	30	28
806762A1	VELCRO KIT	14	2	806787A3	TANK ASSEMBLY Vapor Separator	26	1
806787A3	TANK ASSEMBLY Vapor Separator	28	1	806871	GASKET Thermostat	42	3
806871	GASKET Thermostat	44	3	806922	SLEEVE	42	6
806922	SLEEVE	44	6	806926A1	ELBOW KIT Drain	38	11
806930	SEAL Oil	48	22	806949	NUT (M8-1.5)	4	3
806964A3	STARTER MOTOR ASSEMBLY	4	1	806964A3	STARTER MOTOR ASSEMBLY	6	1
807024T	BRACKET	76	5	807057	RELAY Fuel Pump	14	33
807057	RELAY Fuel Pump Ignition System	14	33	807079T	LINE Fuel Fuel Pump to VST	24	13
807081T	BRACKET Lifting Eye (Front)	54	21	807120	SCREW (#10-24 x 1.00)	34	21
807130A4	PIPE Exhaust	72	6	807131T	TUBE Oil Fill	54	22
807149	QUAD RING	48	9	807149	QUAD RING	52	9
807151A12	PUMP ASSEMBLY Seawater	52	1	807151A7	BODY AND COVER	48	2
807151A7	BODY AND COVER Water Pump	48	8	807151A7	BODY AND COVER	52	2
807151A7	BODY AND COVER Water Pump	52	8	807151A8	PUMP ASSEMBLY Sea Water	48	1
807166A1	SHUTTER ASSEMBLY Water	72	7	807167	GROMMET	72	8
807172	FILTER Fuel/Water Separator	24	10	807172	FILTER Fuel/Water Separator	32	7
807201	HOSE Thermostat Housing to Starboard Exhaust Manifold	42	16	807201	HOSE	44	17
807211	VALVE Relief Oil By-Pass	60	1	8072522	THERMOSTAT 71°C (160°F)	42	5
8072522	THERMOSTAT 71°C (160°F)	44	5	807260A2	COVER KIT Flywheel	74	9
807268T3	ECM Engine Control Module	14	22	807292T	COOLER Power Steering Oil	44	24
807323A5	BOX ASSEMBLY Electrical Components	14	1	807356	SCREW (.312-18 x 2.680)	48	10
807356	SCREW (.312-18 x 2.680)	52	10	807371T	COOLER Oil	66	12
807371T1	COOLER Oil	66	14	807402T	BRACKET Oil Cooler	42	21
807404	HOSE	42	10	8074061	HOSE Cooler to Cooler	44	9
807407	HOSE Thermostat Housing to Engine Oil Cooler	42	8	807407	HOSE Thermostat Housing. to Engine Oil Cooler	44	8
807408	HOSE Bracket to Oil Cooler	66	6	807409	HOSE Cooler to Adaptor	66	13
807445T	CLAMP	42	22	807445T	CLAMP	66	18
807498240	TUBING (24.00 Inches Bulk) Vent	54	30	807640	SCREW (.375-16 x 5.5)	34	6
807641	SCREW (.375-16 x 1.75)	34	7	807654T	BRACKET Flame Arrestor	36	41
807656A2	FLAME ARRESTOR	36	39	807685T	INSULATOR Base	30	2
807739A1	MARINE LONG BLOCK	56	-	807783A1	FITTING ASSEMBLY 90 Degree	30	4
807806T	INSULATOR Cap	32	9	807807T	INSULATOR Base	32	10
807918T	BRACKET Fuel Filter Base	32	11	807925A2	BAFFLE Breather	54	31
807930T	INSULATOR Cover	30	23	807949A1	PUMP ASSEMBLY Fuel (Electric)	30	3
807950A1	COOLER Fuel	30	8	807951T	BRACKET Fuel Cooler	30	1
807953T	LINE ASSEMBLY Fuel Fuel Pump to Filter Base	32	14	807954T	HOSE ASSEMBLY Fuel Regulator to Filter Base	32	15
807956T	INSULATOR Back	32	8	807958	FITTING (1/4-18) Inlet	32	6
807962A3	BRACKET ASSEMBLY Shift	64	1	807963A1	ELBOW ASSEMBLY Exhaust	72	3
807979T	BRACKET	30	11	807988A2	ELBOW ASSEMBLY Exhaust	38	9
807989	HOSE Cooler to Cooler	44	9	808001A1	FITTING ASSEMBLY	30	6
808002A1	FITTING KIT	30	17	808003	CONNECTOR	32	5
808005	SCREW (.250-20 x .500)	30	21	808017	HOSE Cooler to Adaptor	66	13
808023T	STRAP Bracket	76	7	808039	SCREW (#6-32)	36	42
808040	SCREW (5/16-18 x 4.0)	36	40	808043A1	BRACKET	66	15
808044	HOSE Molded Power Steering Oil Cooler to Sea Water Pump	44	11	808045	HOSE Fuel Cooler to Power Steering Oil Cooler	44	10
808052	HOSE Engine Oil Cooler to P/S Oil Cooler	42	9	808483	CAP	18	2
808484	ROTOR	18	4	808485	SHAFT ASSEMBLY Main	18	5
808486	SHIELD	18	7	808487	RETAINER	18	6
808488	PIN	18	12	808489	WASHER	18	14
808490	GEAR	18	15	808491	SCREW	18	3
808500	O-RING KIT	28	11	808501	PLUG KIT	28	7
808502	L-JOINT KIT	28	2	808503	CONNECTOR KIT Electrical	28	10
8085041	STRAINER KIT Fuel	28	9	808505	PUMP KIT Fuel	28	8
808506	FLOAT KIT	28	3	808507	FLOAT VALVE KIT	28	4
808509	DIAPHRAGM KIT	28	6	808510	HARNESS KIT Wiring	28	12
808547	O-RING	34	35	808624	CONNECTOR	76	3
808625	CAP Drive Lube Monitor Oil Bottle	76	2	808707	SCREW (.312-18 x .625) Retainer	56	22
808707	SCREW (.312-18 x .625)	62	10	808740	PISTON ASSEMBLY (Standard)	58	1

# PARTS INDEX

Part No.	Description	Pg.	Ref.no	Part No.	Description	Pg.	Ref.no
809133	STATOR	8	12	809134	PULLEY	8	3
809135	SPACER	8	4	809136	NUT	8	1
809137	LOCKWASHER	8	2	809138	BOLT Thru	8	23
809139	FAN ASSEMBLY	8	5	809140	SPACER	8	6
809141	SCREW	8	27	809142	TERMINAL	8	28
809143	NUT	8	17	809144	COVER	8	30
809145	SET SCREW	8	31	809146	MOLD	8	16
809147	LEAD WIRE (Red)	8	33	809148	LEAD WIRE (Black)	8	32
809149	CAP	8	29	809150	ROTOR	8	11
809151	BRACKET ASSEMBLY Front	8	7	809152	RETAINER	8	10
809153	BEARING Ball	8	9	809154	SCREW	8	8
809155	BRACKET ASSEMBLY Rear	8	13	809156	O-RING	8	21
809157	NUT	8	20	809158	MOLD	8	19
809159	BOLT	8	22	809160	SET SCREW	8	15
809161	CONDENSER	8	18	809162	RECTIFIER	8	14
809163	REGULATOR ASSEMBLY	8	24	809164	BRUSH	8	25
809165	SPRING	8	26	809459	HOUSING	6	14
809463A1	SOLENOID KIT	6	17	809825	RTV SILICONE (3 Ounce Tube) Metallic Blue	56	-
809911	SCREW Oil Drain (M12 x 1.75)	62	8	809994965	PARTS MANUAL 7.4 LX (EFI-MPI) Bravo (GEN VI)	2	-
811528	O-RING (.500 Inch) Rear Main Cap Oil Passage	56	12	811545	SEAL Valve	54	9
811551	CRANKSHAFT	58	16	811553	GROMMET	54	26
811554	SEAL Oil	58	5	811558	KEY	58	17
811559	SCREW (.500-20 x 2.500)	60	13	811562	FLYWHEEL	58	6
811566	GASKET Oil Pan	62	7	811569	CAP Oil Tank	54	2
811574	SCREW (.375-16 x 1.750)	60	4	811579	SPROCKET Crankshaft	56	16
811580	CHAIN Timing	56	14	811585	GUIDE Push Rod	54	8
811588	GASKET Rocker Cover	54	3	811589	BOLT (1/4-20 x 0.875)	54	4
811593	BOLT Rocker Arm	54	16	811637	MODULE	18	9
811638	SCREW	18	10	811639	COIL	18	8
811641	POLE PIECE	18	11	811663	RETAINER Camshaft	56	23
811682	BAFFLE Oil	62	15	811683	STUD (.375-16/.500-12 x 5.500)	62	14
812427T	V BELT	68	10	814101	NUT (.250-20) Stainless Steel	34	27
814263A1	BASE ASSEMBLY	70	4	814420A5	BRACKET	66	2
814476	BUSHING	6	15	814506	VALVE Exhaust	54	6
814507	VALVE Exhaust	54	6	814806	WASHER (.344 x .688 x .065) Stainless Steel	48	11
814806	WASHER (.344 x .688 x .065) Stainless Steel	52	11	814822	FITTING	66	4
815425	SENDER ASSEMBLY Oil Pressure	22	7	815504105	CLAMP Worm Gear (11-18 mm)	26	24
815504206	CLAMP Worm Gear	68	17	815504212	CLAMP Worm Gear Hose	34	12
815504220	CLAMP Worm Gear	38	15	815504220	CLAMP Worm Gear	42	17
815504220	CLAMP Worm Gear	44	18	815504222	CLAMP Worm Gear (1.98 Diameter)	42	12
815504222	CLAMP Worm Gear (1.98 Diameter)	44	13	815504224	CLAMP Worm Gear	44	21
815504232	CLAMP Worm Gear (2.50 Diameter)	42	14	815504232	CLAMP Worm Gear (2.50 Diameter)	44	15
815504372	CLAMP Worm Gear	72	2	815504372	CLAMP Worm Gear	72	4
8161331	FITTING	24	8	8161331	FITTING	32	2
816311	TIE STRAP (8.00 Inches)	54	29	816331	NUT (.750-16) Jam	70	5
816492A6	ALARM KIT	22	16	816608A68	CABLE KIT Ignition (Spark Plugs & Coil)	18	24
816900A5	ELBOW ASSEMBLY Exhaust	38	9	816900A9	ELBOW ASSEMBLY Exhaust	38	9
817376T	HARNESS ASSEMBLY Distributor Module to Ignition Coil	18	17	817378T	COIL Ignition	18	18
817403A4	BRACKET ASSEMBLY	66	2	817618	NUT (.437-20)	48	36
818365T	PULLEY	48	23	818366A1	SHAFT KIT	48	17
818367A1	HOUSING ASSEMBLY	48	15	818368T1	BRACKET	48	28
818379T	BRACKET Idler	48	29	818380T	BUSHING	48	34
8183812	PINION STUD (.437-20) Stainless Steel	48	33	818382	PULLEY	48	35
818383T	PUMP ASSEMBLY Fuel	24	1	818400A1	ADAPTER	66	7
818473	BEARING SET Main - Standard	58	3	818474	BEARING SET Main - .001 Undersize	58	3
818475	BEARING SET Main - .002 Undersize	58	3	818476	BEARING SET Main - .010 Undersize	58	3
818477	BEARING SET Main - .020 Undersize	58	3	818631A6	TUBE ASSEMBLY Dipstick	62	11
818719A1	COVER	74	9	818745A1	RING KIT Slip	48	18
818832	GASKET	38	19	821738	STUD (3/8 x 8 In.)	38	20
8219471	SEAL Oil	60	16	82381615	DECAL	34	18

# PARTS INDEX

Part No.	Description	Pg.	Ref.no	Part No.	Description	Pg.	Ref.no
827651	RING Piston (Standard)	58	2	827655	TOP COVER KIT	28	5
827656	CYLINDER HEAD	54	17	843504	SCREW (.380-16 x 1.500) Stainless Steel	38	10
85013T	BRACE Alternator Adjusting	4	10	850447	RING Piston (.030 O.S.)	58	2
850449	PISTON ASSEMBLY (.030 O.S.)	58	1	850452	SPROCKET Camshaft	56	15
850453	CAMSHAFT	56	13	850454	PUMP ASSEMBLY Water	60	2
850455	SCREW (1/4-20 x 0.5)	60	18	850456	GASKET Front Cover Mount	60	17
850457	PUMP ASSEMBLY Oil	62	1	850458	PAN ASSEMBLY Oil	62	6
850459	COVER ASSEMBLY Timing Chain	60	15	850461	BALANCER Harmonic	60	8
850462	COVER Rocker	54	1	850463	ROTATOR	54	11
850464	CAP	54	12	850465	SPRING Valve	54	10
850467	LIFTER Roller	56	19	850468	PUSH ROD	54	5
850469	PUSH ROD	54	5	850470	GASKET Cylinder Head	54	18
850471	ARM Rocker	54	14	850472	BALL Rocker Arm	54	15
850474	GUIDE Lifter	56	20	850479	RETAINER Lifter Guide	56	21
852368	SCREW (#10-24 x .750)	30	15	85684	BEARING SET	56	11
85691	BEARING SET Connecting Rod - (.010 Undersize)	58	15	85726	BEARING SET Connecting Rod - Standard	58	15
85727	BEARING SET Connecting Rod - (.001 Undersize)	58	15	85728	BEARING SET Connecting Rod - (.002 Undersize)	58	15
85729	BEARING SET Connecting Rod - (.020 Undersize)	58	15	860065A1	BRACKET KIT Oil Bottle	76	6
860069	NUT (.375-16)	30	26	860069	NUT (.375-16)	32	13
860088	BUSHING Adapter	56	5	860165	STUD	38	5
860171971	OWNERS GUIDE	2	-	860203T	SHIELD Heat	38	6
860204A5	THROTTLE BODY ASSEMBLY	34	28	860226A2	HARNESSE ASSEMBLY Engine	12	-
860233	GASKET	38	8	860251T1	ECM Engine Control Module	14	22
860273	CONNECTOR Hose	30	20	860348A2	PLUG ASSEMBLY	26	21
860349A1	REGULATOR ASSEMBLY Fuel Pressure	30	13	860350A2	LINE ASSEMBLY Fuel Fuel Cooler to Fuel Rail	30	24
86750	SCREW (.312-18 x .620)	42	25	86750	SCREW (.312-18 x .620)	44	22
88033	GROMMET	26	8	880331	GROMMET	26	2
88791	MOUNT Rubber	74	2	89011A8	MANIFOLD ASSEMBLY Exhaust	38	1
89302	WASHER (.203 x .406 x .040)	26	19	89302	WASHER (.203 x .406 x .040)	30	16
89664	WASHER (.920 x 1.750 x .060)	48	19	897181	HOSE Thermostat Housing to Water Pump	42	13
897181	HOSE Thermostat Housing to Water Pump	44	14	89749	HOSE Thermostat Housing to Port Exhaust Manifold	42	15
89749	HOSE	44	16	89876A3	BASE ASSEMBLY Fuel Filter/Water Separator	24	6
89876A3	BASE ASSEMBLY Fuel Filter/Water Separator	32	1	89879	O-RING (.301 x .064)	68	12
89879	O-RING (.301 x .064)	68	15	8M0090767	MANIFOLD ASSEMBLY Intake	34	1
90081T	PULLEY	60	9	90096A1	STUD ASSEMBLY (#10-32 x Special)	18	20
90517	NUT (M10)	68	6	905201	SPACER (.750 x .250)	4	18
90562	SEAL (1.254 x .312) Oil	48	16	90562	SEAL (1.254 x .312) Oil	52	16
91892	GASKET	66	10	91903	SCREW (.437-14 x 1.750)	4	17
92152	SPACER (.27 x .75 x .38)	14	19	92152	SPACER (.27 x .75 x .38)	64	17
93320A7	RISER KIT Exhaust (3.00 Inch)	38	16	93322A5	RISER KIT Exhaust (6.00 Inch)	38	16
94140	EXPANSION PLUG (Rear Camshaft Hole)	56	10	94288	QUAD RING	48	14
94288	QUAD RING	52	14	94330	NUT (.250-20) Brass	4	29
94330	NUT (.250-20) Brass	14	9	94576	WEAR PLATE Wear (Inner)	48	13
94576	WEAR PLATE Wear (Inner)	52	13	94913A2	HOUSING ASSEMBLY Water Pump	52	15
94914	GASKET	48	7	94914	GASKET	52	7
94916	WEAR PLATE Wear (Outer)	48	6	94916	WEAR PLATE Wear (Outer)	52	6
95084A10	CABLE ASSEMBLY (5.00 Inches) Red (Female)	22	18	95084A9	CABLE ASSEMBLY (91.00 Inches) Red/Purple Strip (Male)	22	17
95805	CAP	68	3	96054	SOLENOID ASSEMBLY Starter	14	5
96112	STUD (.250-28 x 2.00) Throttle Cable Anchor	64	11	96430	SHOULDER SCREW	34	26
96457	WASHER Phenolic (.27 x .81 x .062) Phenolic	4	25	97257A1	SENDER ASSEMBLY Water Temperature	22	6
97520	STUD (.375 x 5.0)	38	20	97861	INSULATOR Starter Solenoid	14	12
97862	CLAMP	70	NS	98534	SCREW (.375-16 x 2.30)	38	10
98794	SCREW (.375-16 x 1.00)	42	7	98794	SCREW (.375-16 x 1.00)	44	7
987981	STUD (.250-20/.250-28 x 2.120)	64	2	98813A1	BRACE	68	7
98828	SPACER	64	4	98880	SPRING	64	7
99322	SPACER	74	3	99347	SCREW (.312-18 x 3.75)	48	3
99347	SCREW (.312-18 x 3.75)	52	4	99356A2	COOLER ASSEMBLY Power Steering Oil	42	20
FI1100096	PIN Dowel (1/4 Diameter)	58	4	NA	NOT AVAILABLE Not sold with this model	64	20
NA	NOT AVAILABLE Not sold with this model	64	21	NSS	NOT SOLD SEPARATE ARMATURE	6	2

# PARTS INDEX

Part No.	Description	Pg.	Ref.no	Part No.	Description	Pg.	Ref.no
NSS	NOT SOLD SEPARATE BRUSH HOLDER AND SPRING	6	3	NSS	NOT SOLD SEPARATE FRAME	6	4
NSS	NOT SOLD SEPARATE SCREW	6	5	NSS	NOT SOLD SEPARATE BOLT, Thru	6	6
NSS	NOT SOLD SEPARATE SHAFT AND GEAR	6	7	NSS	NOT SOLD SEPARATE GASKET	6	8
NSS	NOT SOLD SEPARATE GEAR	6	9	NSS	NOT SOLD SEPARATE DRIVE	6	10
NSS	NOT SOLD SEPARATE COLLAR, Thrust	6	13	NSS	NOT SOLD SEPARATE GROMMET	6	16
NSS	NOT SOLD SEPARATE LEVER	6	18	NSS	NOT SOLD SEPARATE SCREW	6	19
NSS	NOT SOLD SEPARATE CYLINDER BLOCK	56	1				