

Parts Manual

Cat.# 90-80999498

Revised 09-12-2020

TABLE OF CONTENTS

Cat.# 90-80999498

SERVICE/SUPPORT MATERIAL.....	1
ALTERNATOR AND STARTER (MANDO).....	3
STARTER MOTOR (PG260).....	7
ALTERNATOR (MANDO).....	9
ALTERNATOR AND BRACKET (DELCO).....	11
WIRING HARNESS (ENGINE).....	13
WIRING HARNESS (EFI).....	15
ELECTRICAL BRACKET AND COMPONENTS.....	17
DISTRIBUTOR AND IGNITION COMPONENTS.....	19
SENDERS AND HARNESS BRACKET.....	23
THROTTLE BODY AND LINKAGE.....	25
FUEL PUMP AND FUEL COOLER.....	27
FUEL FILTER.....	29
INTAKE MANIFOLD AND INTAKE PLENUM.....	31
EXHAUST MANIFOLD AND EXHAUST ELBOW.....	33
STANDARD COOLING SYSTEM.....	35
CLOSED COOLING SYSTEM.....	39
SEA WATER PUMP.....	43
CYLINDER HEAD AND ROCKER COVER.....	45
CYLINDER BLOCK AND CAMSHAFT.....	47
CRANKSHAFT PISTONS AND CONN. RODS.....	49
WATER PUMP AND FRONT COVER.....	51
OIL PAN AND OIL PUMP.....	53
SHIFT BRACKET.....	55
OIL FILTER AND ADAPTOR.....	57
POWER STEERING COMPONENTS.....	59
ENGINE MOUNTING.....	61
EXHAUST SYSTEM.....	63
OIL RESERVOIR BOTTLE AND BRACKET.....	65
EXHAUST BLOCK-OFF PLATE.....	67
FLYWHEEL HOUSING.....	69

SERVICE/SUPPORT MATERIAL

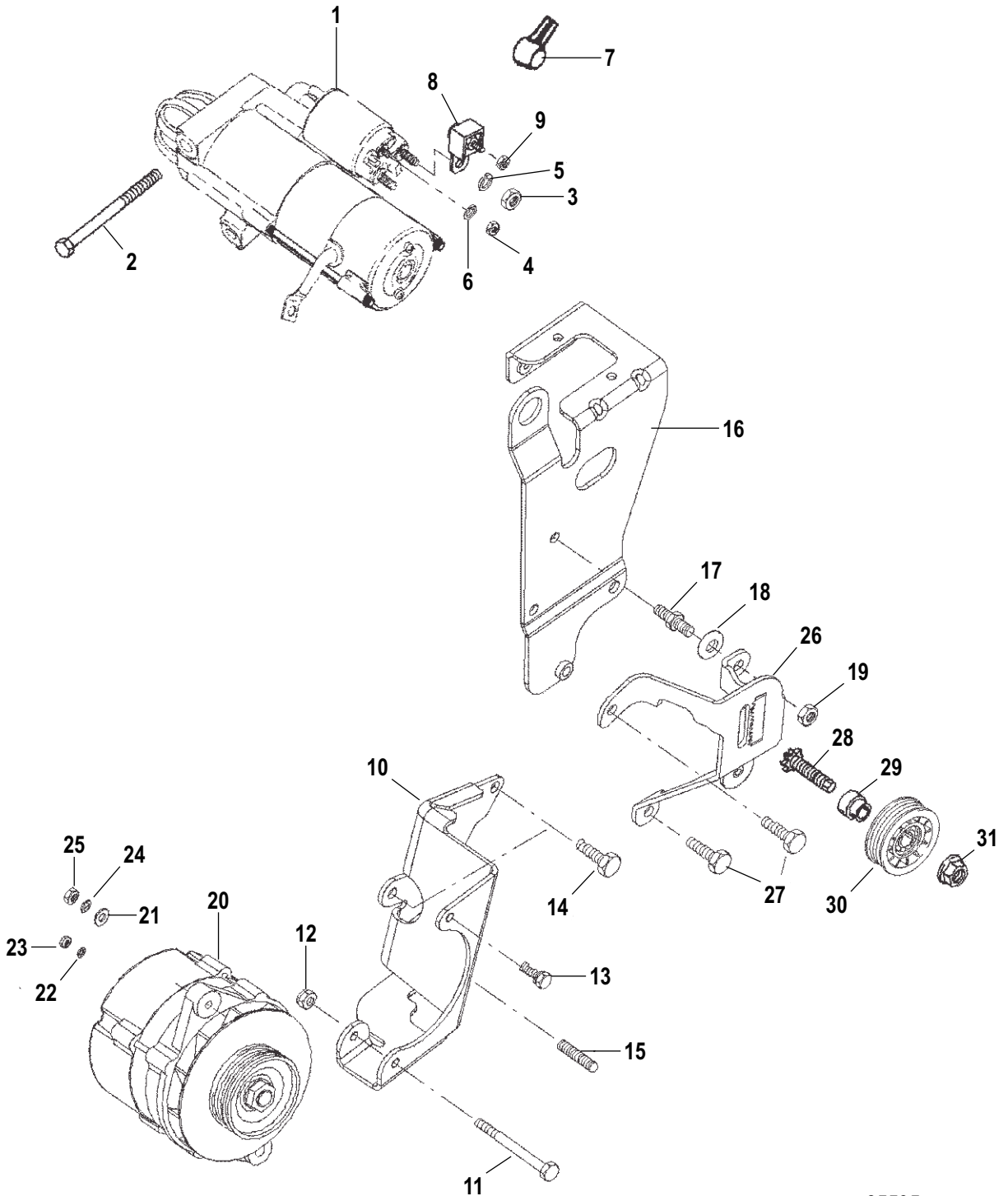
Cat.# 90-80999498

SERVICE/SUPPORT MATERIAL

Ref #	Part Class	Part Number	Description	Comments	Qty	Note
-	0090	80999498	PARTS MANUAL 7.4L MPI Bravo L29 (GEN VI) Service		1	
-	0090	8613261	SERVICE MANUAL		1	
-	0090	860168003	MANUAL		1	
-	0037	805364A1	DECAL SET Color Coding (COLOR CODE)		1	

SERVICE/SUPPORT MATERIAL

ALTERNATOR AND STARTER (MANDO)



35595

ALTERNATOR AND STARTER (MANDO)

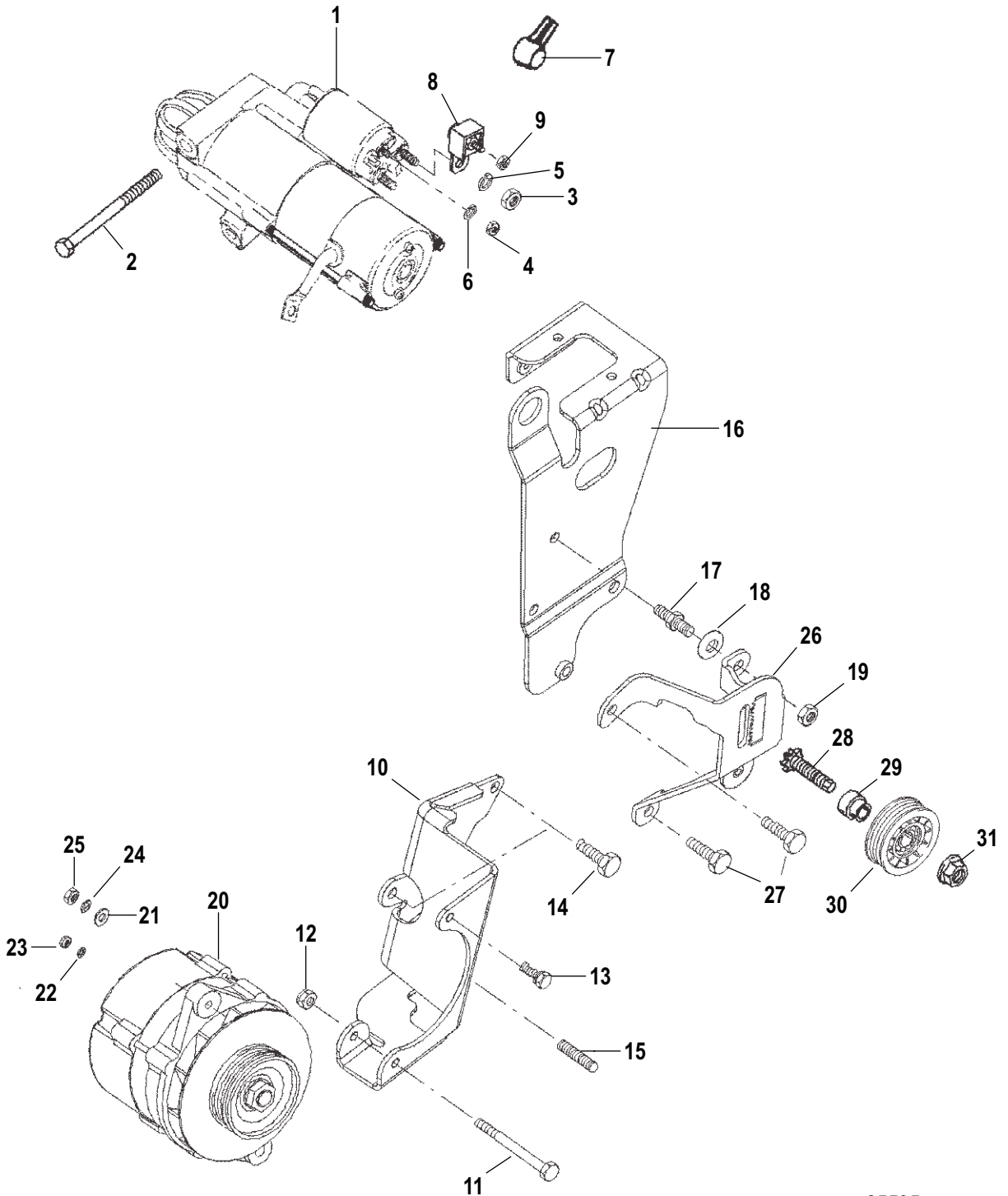
Ref #	Part Class	Part Number	Description	Comments	Qty	Note
1	0050	806964A4	STARTER MOTOR ASSEMBLY	(SEE "STARTER MOTOR (PG260)" FOR BREAKDOWN)	1	[1]
2	0010	8053432	SCREW (.375-16 x 4.33)		2	
3	0011	806949	NUT (M8-1.5)		1	
4	0011	400211	NUT (M5) Stainless Steel		1	
5	0013	400247	LOCKWASHER (M8)		1	
6	0013	26996	LOCKWASHER (#10) Stainless Steel		1	
7	0085	79695	BOOT Insulator - Black		1	
8	0088	79023A91	FUSE ASSEMBLY 90 Ampere		1	
9	0011	8267119	NUT (.250-28)		1	
10	0000	861047	BRACKET		1	
11	0010	56743	SCREW (.375-24 x 3.125)		1	
12	0011	23161	NUT (.375-24)		1	
13	0010	29198	SCREW AND LOCKWASHER (.312-18 x .875)		1	
14	0010	17965	SCREW (.437-14 x .70)		2	
15	0016	806591	STUD (7/16-14)		1	
16	0000	861046	BRACKET Power Assisted Steering/Lifting Eye		1	
17	0016	861174	STUD (7/16-14 X 1 IN.)		2	
18	0012	34567	WASHER		2	
19	0011	29553	NUT (.437-14)		2	
20	0000	807653T	ALTERNATOR ASSEMBLY	(SEE "ALTERNATOR (MANDO)" FOR BREAKDOWN)	1	[2]
21	0012	96457	WASHER Phenolic (.27 x .81 x .062)		1	
22	0013	26996	LOCKWASHER (#10) Stainless Steel		1	
23	0011	79989	NUT (#10-24) Stainless Steel		1	
24	0013	26992	LOCKWASHER (.250) Stainless Steel		1	
25	0011	94330	NUT (.250-20) Brass		1	
26	0000	861045	BRACKET Idler		1	
27	0010	92913	SCREW (.437-14 x .750)		2	
28	0043	8183812	PINION STUD (.437-20) Stainless Steel		1	
29	0000	818380T	BUSHING		1	
30	0000	807757T	PULLEY ASSEMBLY Idler - Black		1	
31	0011	859135	NUT (.437-20) Brass/Nickel Plated		1	

PART NOTES:

- [1] - Alternate part numbers:
806964A 4QS
864340R02Reman

ALTERNATOR AND STARTER (MANDO)

ALTERNATOR AND STARTER (MANDO)



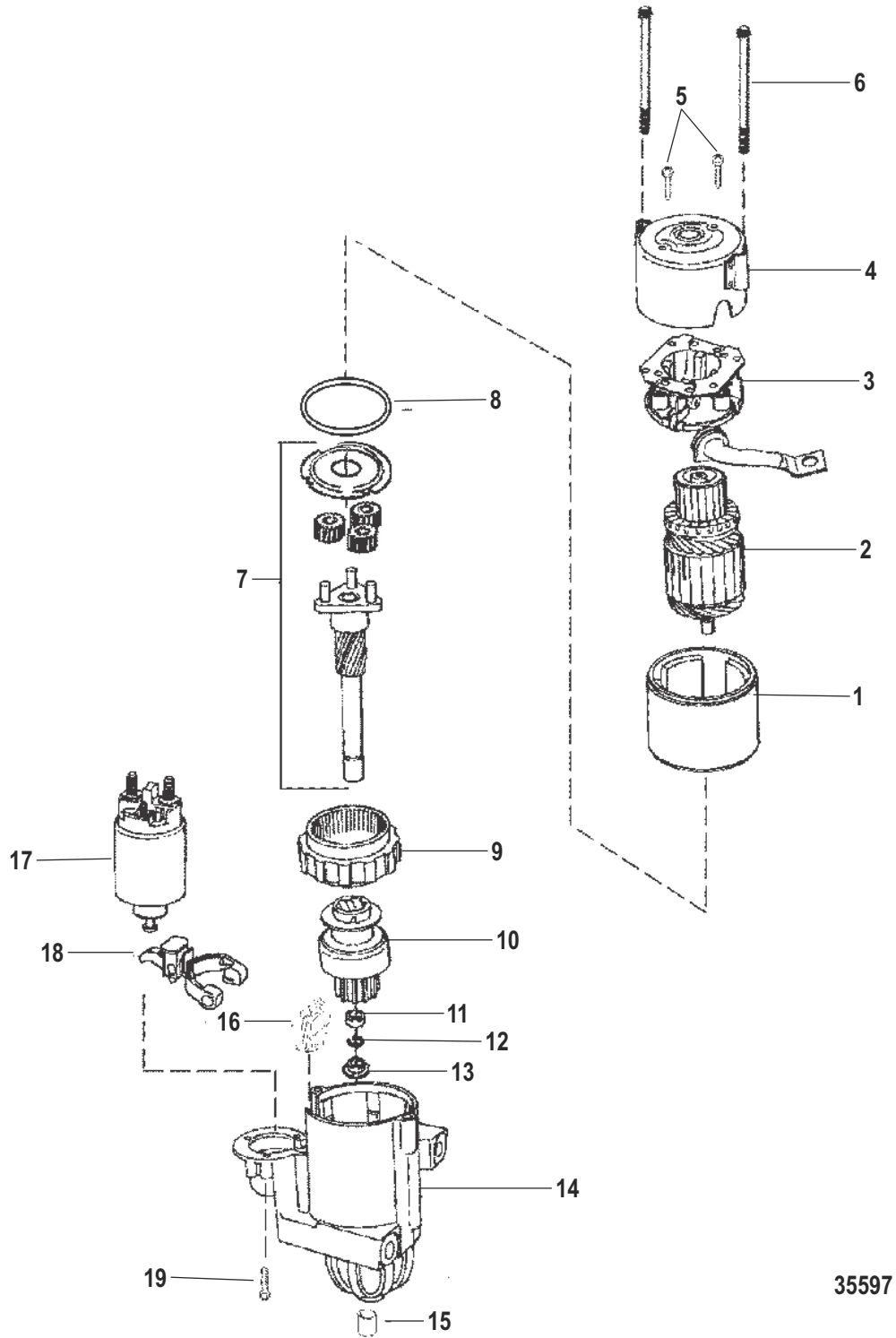
35595

Cat.# 90-80999498

ALTERNATOR AND STARTER (MANDO)

- [2] - Alternate part numbers:
807653R01Reman
807653TQS

STARTER MOTOR (PG260)



35597

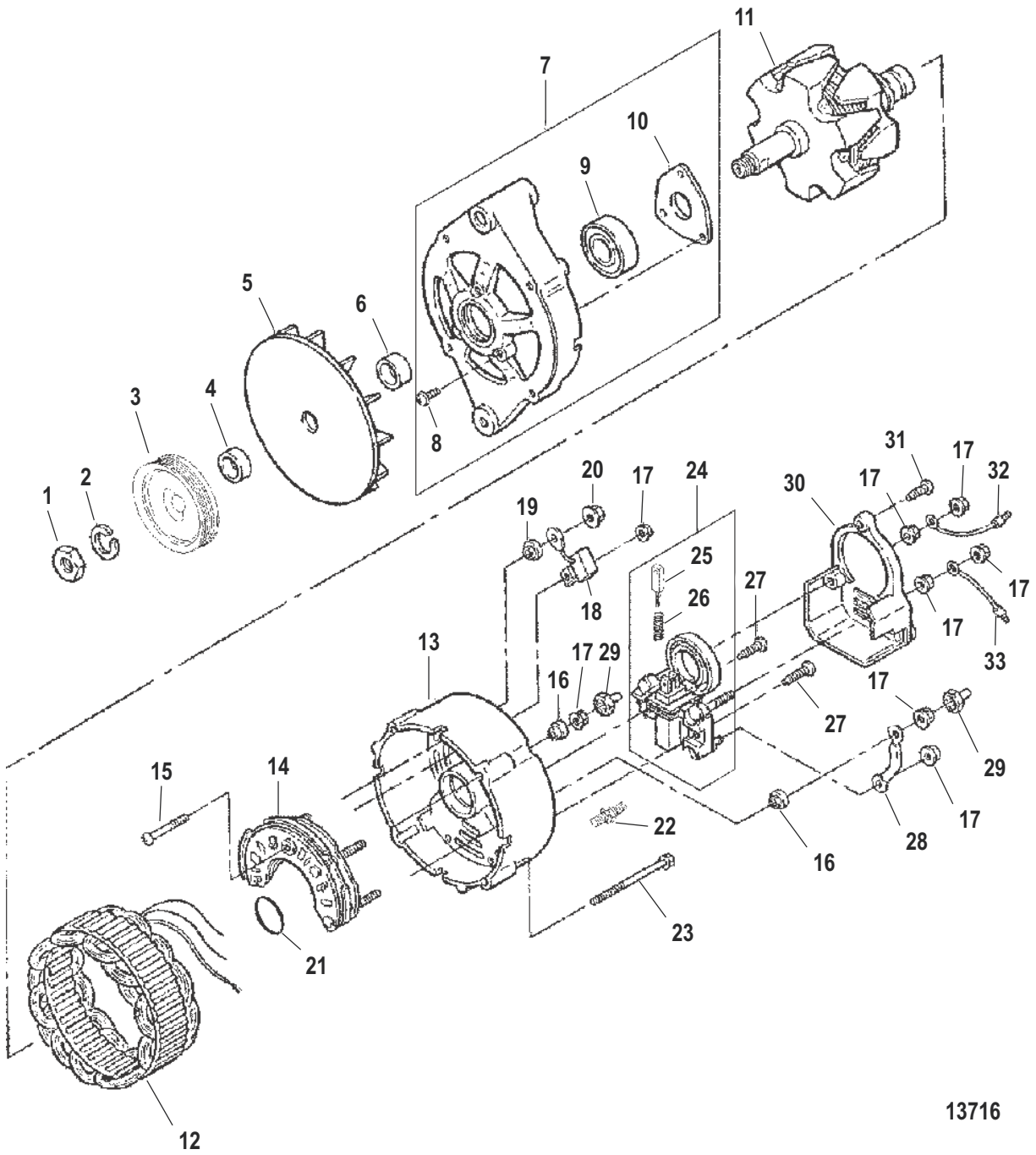
STARTER MOTOR (PG260)

Ref #	Part Class	Part Number	Description	Comments	Qty	Note
1	0050	806964A4	STARTER MOTOR ASSEMBLY		1	[1]
2		NSS	NOT SOLD SEPARATE ARMATURE		1	[2]
3		NSS	NOT SOLD SEPARATE BRUSH HOLDER AND SPRING		1	[2]
4		NSS	NOT SOLD SEPARATE FRAME		1	[2]
5		NSS	NOT SOLD SEPARATE SCREW		2	[2]
6		NSS	NOT SOLD SEPARATE BOLT, THRU		2	[2]
7		NSS	NOT SOLD SEPARATE SHAFT AND GEAR		1	[2]
8		NSS	NOT SOLD SEPARATE GASKET		1	[2]
9		NSS	NOT SOLD SEPARATE GEAR		1	[2]
10		NSS	NOT SOLD SEPARATE DRIVE		1	[2]
11	0000	33291	COLLAR		1	
12	0053	33290	RING Retaining		1	
13		NSS	NOT SOLD SEPARATE COLLAR, THRUST		1	[2]
14	0000	809459	HOUSING		1	
15	0023	814476	BUSHING		1	
16		NSS	NOT SOLD SEPARATE GROMMET		1	[2]
17	0000	809463A1	SOLENOID KIT		1	
18		NSS	NOT SOLD SEPARATE LEVER		1	[2]
19		NSS	NOT SOLD SEPARATE SCREW		3	[2]

PART NOTES:

- [1] - Alternate part numbers:
806964A 4QS
864340R02Reman
- [2] - NOT SOLD SEPARATE

ALTERNATOR (MANDO)



13716

ALTERNATOR (MANDO)

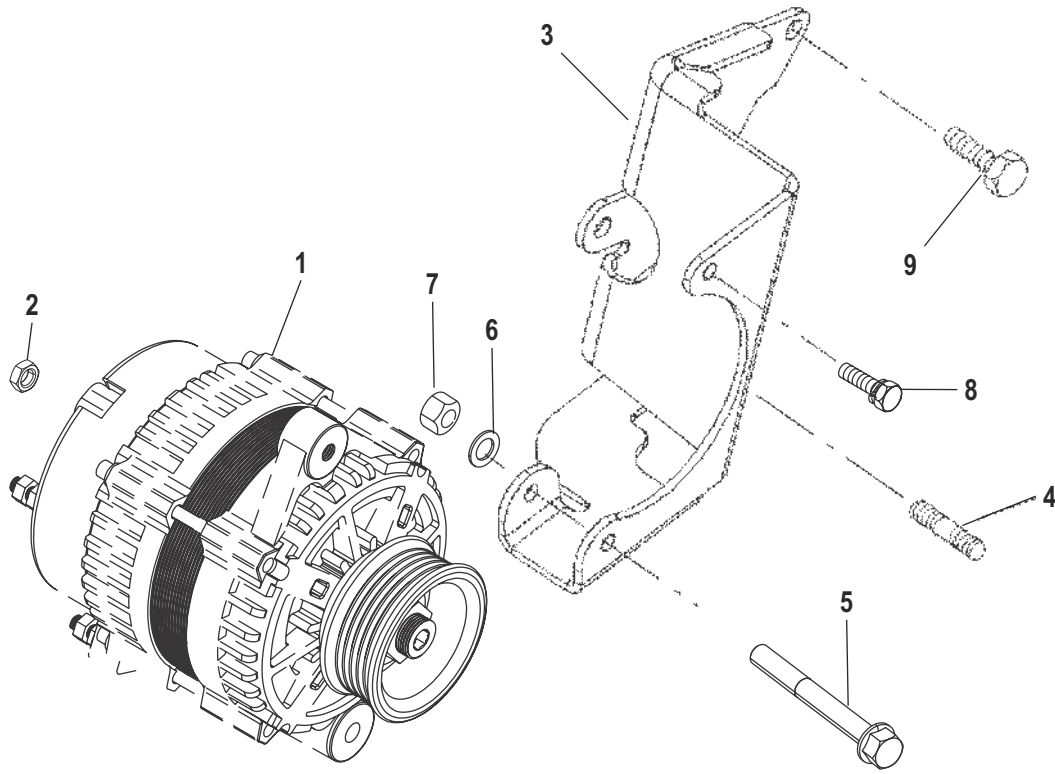
Ref #	Part Class	Part Number	Description	Comments	Qty	Note
-	0000	807653T	ALTERNATOR ASSEMBLY		1	[1]
1	0011	809136	NUT		1	
2	0013	809137	LOCKWASHER		1	
3	0000	834990T	PULLEY		1	
4	0023	809135	SPACER		1	
5	0000	809139	FAN ASSEMBLY		1	
6	0023	809140	SPACER		1	
7	0000	809151	BRACKET ASSEMBLY		1	
8	0010	809154	SCREW		3	
9	0030	809153	BEARING		1	
10	0000	809152	RETAINER		1	
11	0000	809150	ROTOR		1	
12	0000	809133T	STATOR		1	
13	0000	809155	BRACKET ASSEMBLY		1	
14	0000	809162	RECTIFIER		1	
15	0010	809160	SET SCREW		1	
16	0000	809146	MOLD		2	
17	0011	809143	NUT		8	
18	0000	809161	CONDENSER		1	
19	0000	809158	MOLD		1	
20	0011	809157	NUT		1	
21	0025	809156	O-RING		1	
22	0010	809159	BOLT		1	
23	0010	809138	BOLT		4	
24	0000	811883T	REGULATOR ASSEMBLY		1	
25	0000	811884	BRUSH		2	
26	0024	809165	SPRING		2	
27	0010	809141	SCREW		2	
28	0000	809142	TERMINAL		1	
29	0000	809149	CAP		2	
30	0000	809144	COVER		1	
31	0010	809145	SET SCREW		1	
32	0084	809148	LEAD WIRE (BLACK)		1	
33	0084	809147	LEAD WIRE (RED)		1	

PART NOTES:

- [1] - Alternate part numbers:
807653R01Reman
807653TQS

ALTERNATOR (MANDO)

ALTERNATOR AND BRACKET (DELCO)



32992

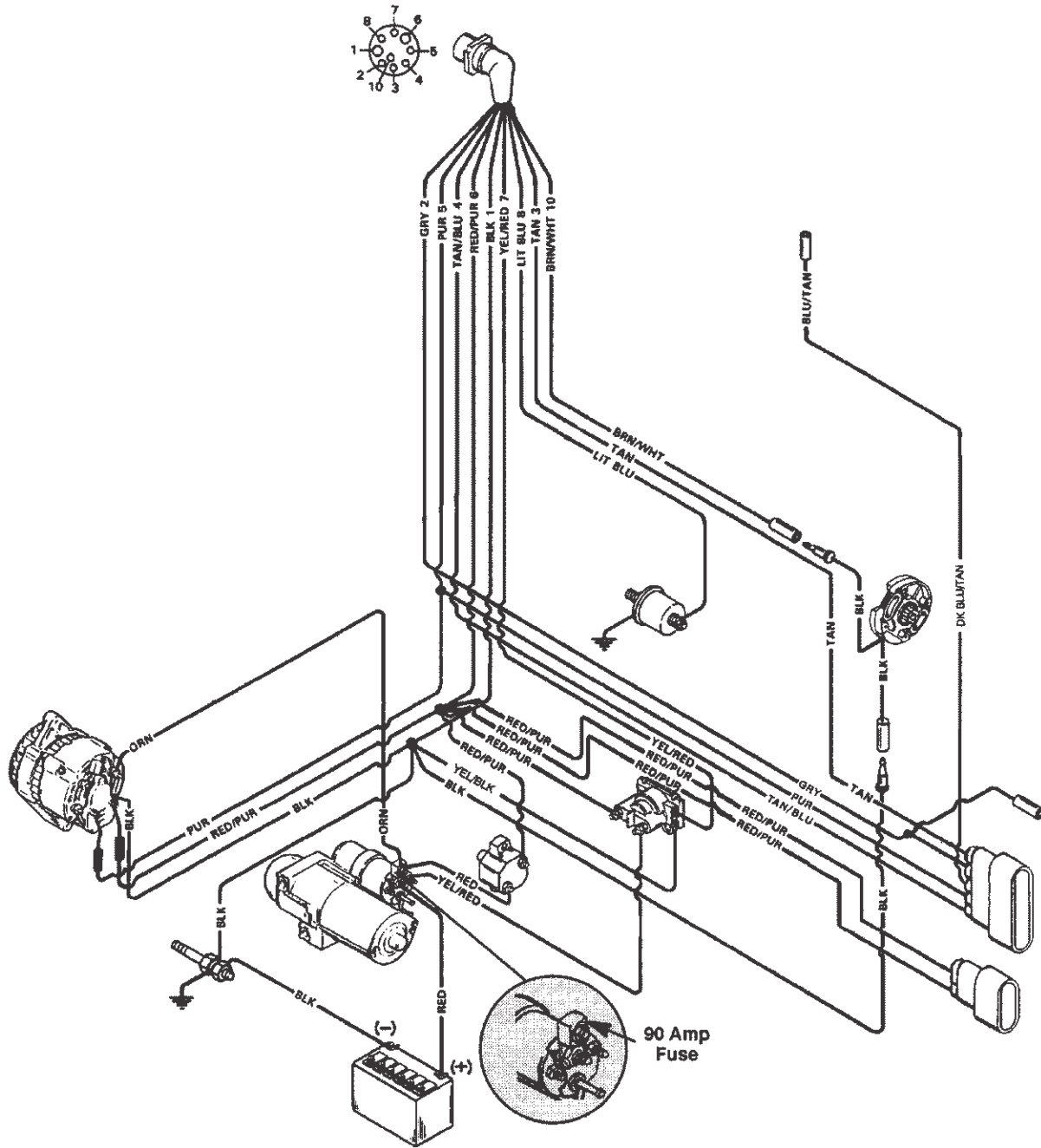
ALTERNATOR AND BRACKET (DELCO)

Ref #	Part Class	Part Number	Description	Comments	Qty	Note
1	0000	862031T	ALTERNATOR ASSEMBLY (65 Amp)	(Non Serviceable - Replace Complete Assembly)	1	[1]
2	0011	400212	NUT (M6) Stainless Steel		1	
3	0000	862050T	BRACKET Alternator		1	
4	0016	806591	STUD (7/16-14) Alternator & Seawater Pump Bracket		1	
5	0010	31984	SCREW (.312-18 x 1.375)		2	
6	0012	20084	WASHER (.328 x .562 x .062)		1	
7	0011	21908	NUT (.312-18) Cad Plated		1	
8	0010	40001134	SCREW (M8 x 25)		1	
9	0010	17965	SCREW (.437-14 x .70)		2	
NS	0084	862078T1	HARNESS ASSEMBLY Engine Wiring		1	

PART NOTES:

- [1] - Alternate part numbers:
862031R01Reman
862031TQS

WIRING HARNESS (ENGINE)



33232

Cat.# 90-80999498

WIRING HARNESS (ENGINE)

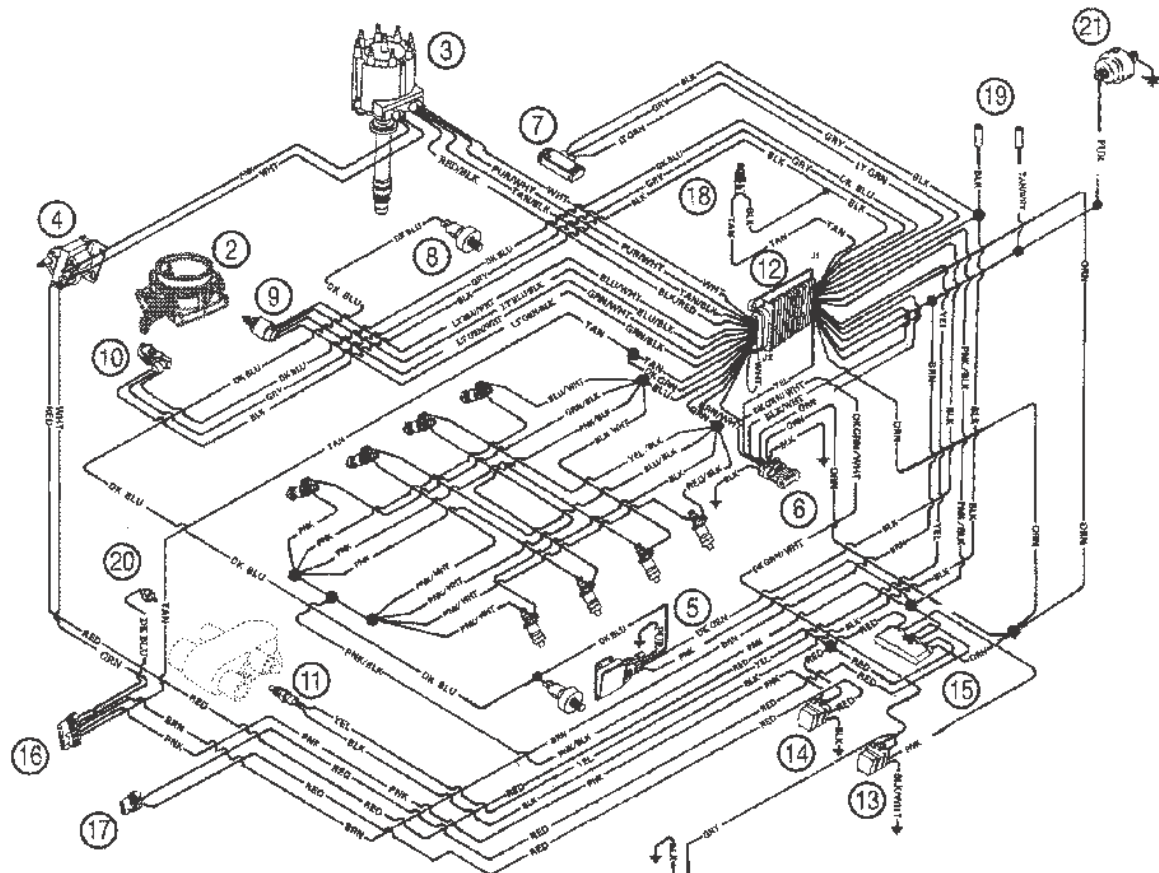
Ref #	Part Class	Part Number	Description	Comments	Qty	Note
-	0084	861093A2	HARNESS ASSEMBLY Engine		1	
-	0084	862079A1	HARNESS ASSEMBLY Engine	(MEFI-3) [0L085006] & Up	1	[1]

PART NOTES:

[1] - PART IS NEW AND LISTED FOR THE FIRST TIME

WIRING HARNESS (ENGINE)

WIRING HARNESS (EFI)



- 1 - Fuel Pump
- 2 - Throttle Body
- 3 - Distributor
- 4 - Coil
- 5 - Electronic Spark Control (KS) Module
- 6 - Data Link Connector (DLC)
- 7 - Manifold Absolute Pressure (MAP) Sensor
- 8 - Knock Sensor (Port and Starboard)
- 9 - Idle Air Control (IAC)
- 10 - Throttle Position (TP) Sensor
- 11 - Engine Coolant Temperature (ECT) Sensor
- 12 - Electronic Control Module (ECM)
- 13 - Fuel Pump Relay
- 14 - Ignition/System Relay
- 15 - Fuse (15 Amp) Fuel Pump
Fuse (15 Amp) ECM/DLC/Battery
Fuse (10 Amp) ECM/Injector/Ignition/Knock Module
- 16 - Harness Connector To Starting/Charging Harness
- 17 - Positive (+) Power Wire To Engine Circuit Breaker
- 18 - Intake Air Temperature (IAT) Sensor
- 19 - Gear Lube Bottle - Audio Warning Switch
- 20 - Oil Pressure - Audio Warning Switch
- 21 - Water Temperature Sender (Gauge)

34197

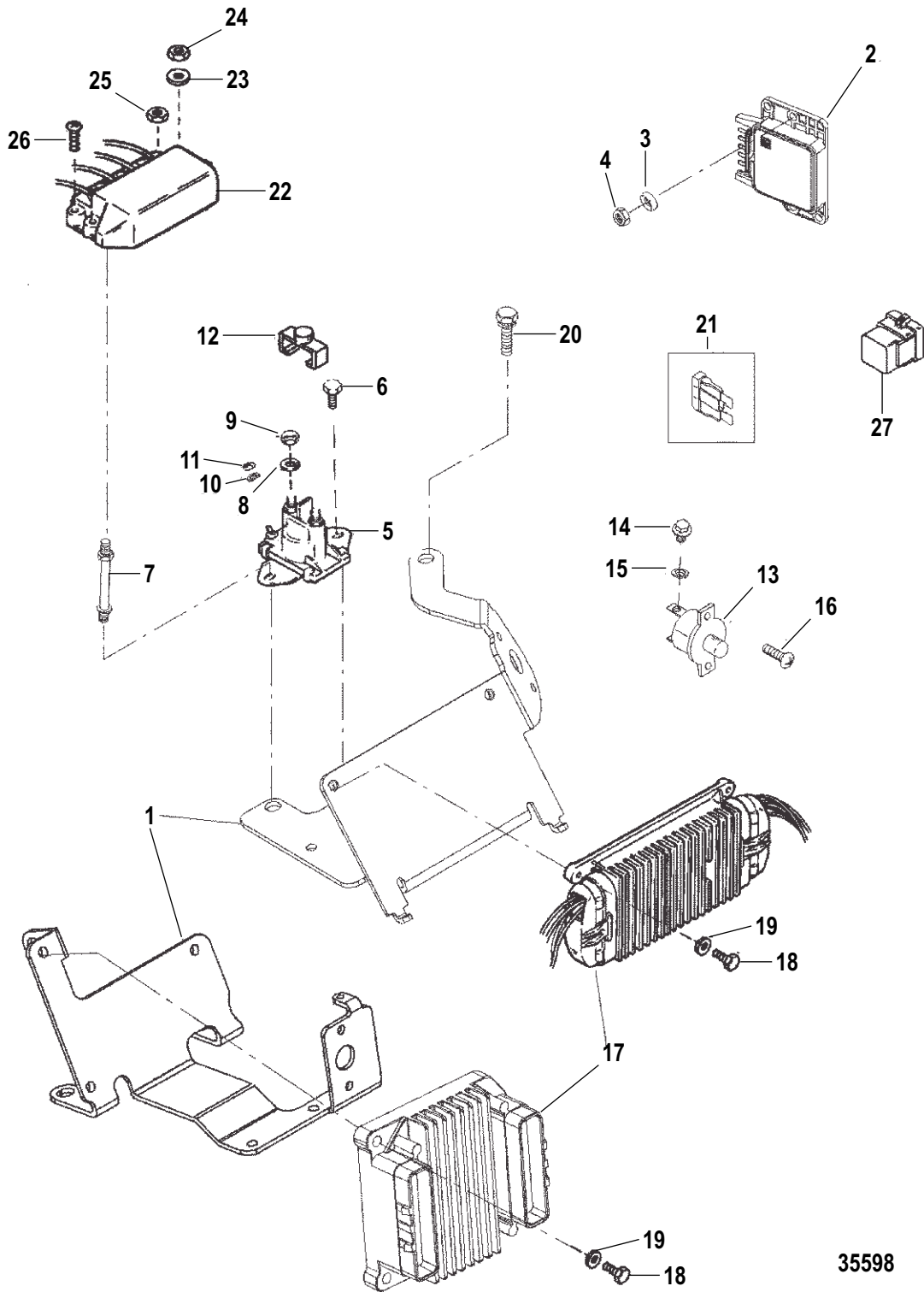
Cat.# 90-80999498

WIRING HARNESS (EFI)

Ref #	Part Class	Part Number	Description	Comments	Qty	Note
-	0084	861092A1	HARNESS ASSEMBLY EFI Engine		1	
-	0084	861158T2	HARNESS ASSEMBLY Engine	(MEFI-3) [0L085006] & Up	1	

WIRING HARNESS (EFI)

ELECTRICAL BRACKET AND COMPONENTS



35598

ELECTRICAL BRACKET AND COMPONENTS

Ref #	Part Class	Part Number	Description	Comments	Qty	Note
1	0000	861096T	BRACKET Electrical Components		1	
1	0000	861715T1	BRACKET Electrical	MEFI-3 [0L085006] & Up	1	[1]
2	0000	861535T	MODULE ASSEMBLY Spark Control		1	
3	0012	20533	WASHER		2	
4	0011	805562	NUT (#10-24)		2	
5	0089	96158T	SOLENOID		1	
6	0010	28635	SCREW (.250-20 x .620) Stainless Steel		1	
7	0016	805459	STUD Mercathode Mounting		2	
8	0013	26992	LOCKWASHER (.250) Stainless Steel		2	
9	0011	94330	NUT (.250-20) Brass		2	
10	0013	26996	LOCKWASHER (#10) Stainless Steel		2	
11	0011	68219	NUT (#10-32) Stainless Steel		2	
12	0085	97861	INSULATOR		1	
13	0088	806950	BREAKER Circuit - 50 Ampere		1	
14	0010	68513	SCREW (#10-32 x .375) Stainless Steel		2	
15	0013	26996	LOCKWASHER (#10) Stainless Steel		2	
16	0010	57583	SCREW (#8-32 x .375)		2	
17	0000	861736R1	ECM Engine Control Module	MEFI-2 [0L085005] & Below	1	[2]
17	0000	861720T2	ECM Engine Control Module	MEFI-3 [0L085006] & Up	1	[1]
18	0010	76596	SCREW (.250-20 x 1.250)		2	
18	0010	28636	SCREW (.250-20 x .750)	MEFI-3 [0L085006] & Up	3	[1]
19	0012	20533	WASHER		2	
20	0010	29198	SCREW AND LOCKWASHER (.312-18 x .875)		1	
21	0000	805704	FUSE 15 Ampere		1	
21	0000	805703	FUSE 10 Ampere		1	
22	0000	42600A3	CONTROLLER ASSEMBLY		1	
23	0012	56681	WASHER (.203 x .500 x .032)		2	
24	0011	46438	NUT (#10-32)		2	
25	0011	68219	NUT (#10-32) Stainless Steel		4	
26	0010	62568	SCREW (#10-16 x .375)		1	
27	0000	807057T	RELAY FUEL PUMP		1	
27	0000	807057T	RELAY IGNITION SYSTEM		1	

PART NOTES:

- [1] - PART IS NEW AND LISTED FOR THE FIRST TIME
 [2] - Alternate part numbers:
 861095T 3QS
 861736R 1Reman

DISTRIBUTOR AND IGNITION COMPONENTS

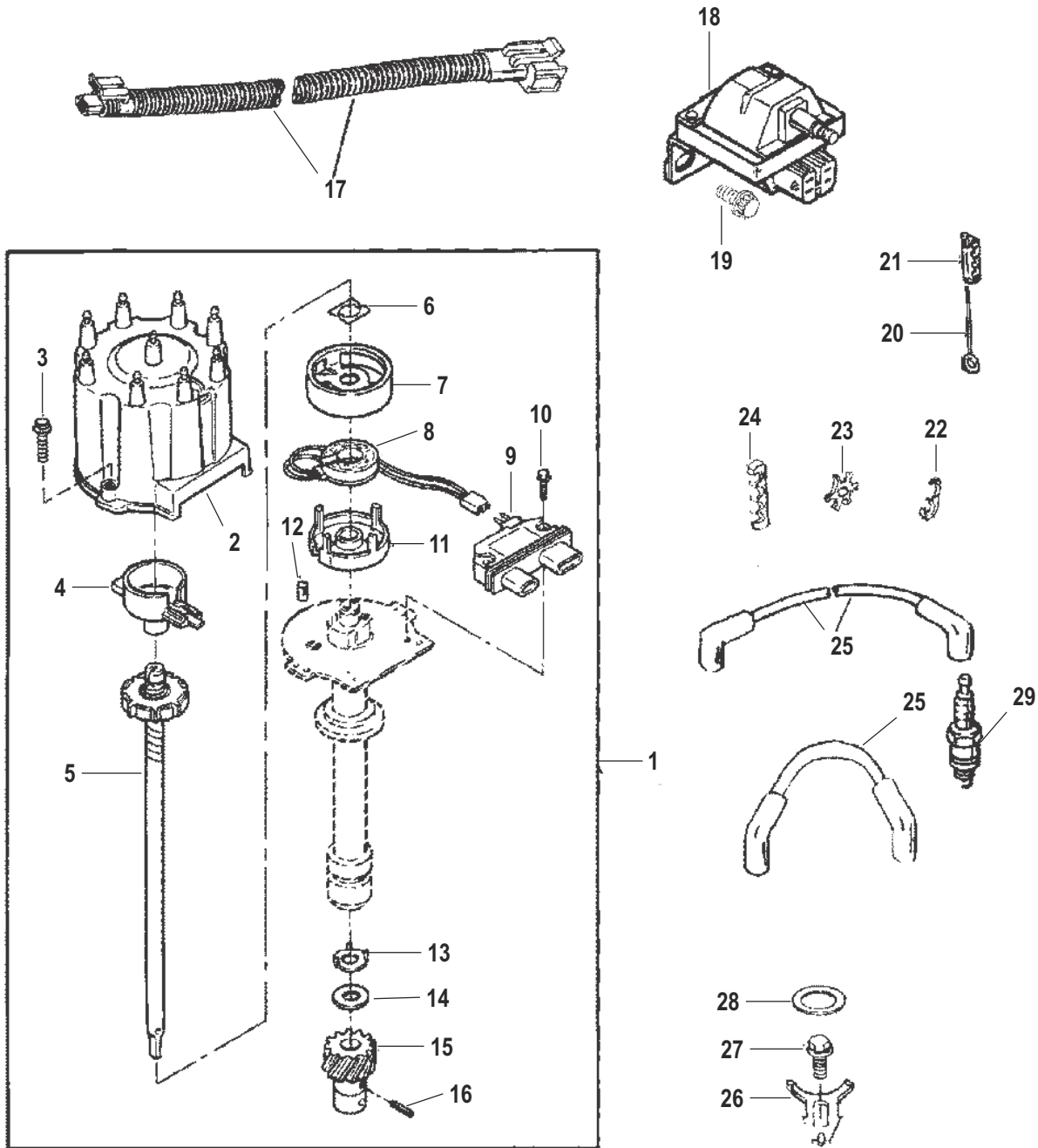
Ref #	Part Class	Part Number	Description	Comments	Qty	Note
1	0000	805222A1	DISTRIBUTOR ASSEMBLY		1	
2	0000	808483T3	CAP Distributor		1	[1]
3	0010	808491	SCREW		2	
4	0000	8084841	ROTOR		1	[2]
5	0000	808485T	SHAFT ASSEMBLY Main		1	
6	0000	808487	RETAINER		1	
7		NSS	NOT SOLD SEPARATE SHIELD		1	[3]
8	0000	811639T	COIL		1	
9	0000	811637T	MODULE		1	
10	0010	811638	SCREW		2	
11	0000	811641	POLE PIECE		1	
12	0017	808488	PIN		1	
13	0012	46350	WASHER		1	
14	0012	808489	WASHER		1	
15	0043	808490	GEAR		1	
16	0017	34109	PIN		1	
17	0084	817376T	HARNES ASSEMBLY Distributor Module to Ignition Coil		1	
18	0000	817378	COIL		1	
19	0010	805189	SCREW (.375-16 x .750)		2	
20	0016	90096A1	STUD ASSEMBLY (#10-32 x Special)		2	
21	0054	72821	RETAINER		2	
22	0000	54676	RETAINER Two Wire		2	
23	0000	32783	RETAINER Three Wire		2	
24	0000	32784	RETAINER Four Wire		2	
25	0084	816608A68	CABLE KIT Ignition (SPARK PLUGS & COIL)		1	[4]
26	0000	52185	CLAMP		1	
27	0010	805559	SCREW (.375-16 x .875) Stainless Steel		1	
28	0027	344863	GASKET		1	[5]
29	0033	816336	SPARK PLUG		8	
-	0027	802567A98	GASKET SET Engine Overhaul		1	

PART NOTES:

- [1] - Alternate part numbers:
808483K 2MPP Kit
808483Q 2QS Kit
808483T 3Service Part
- [2] - Alternate part numbers:
808483K 1MPP Kit
808483Q 1QS Kit
808484 1Service Part
- [3] - NOT SOLD SEPARATE

DISTRIBUTOR AND IGNITION COMPONENTS

DISTRIBUTOR AND IGNITION COMPONENTS

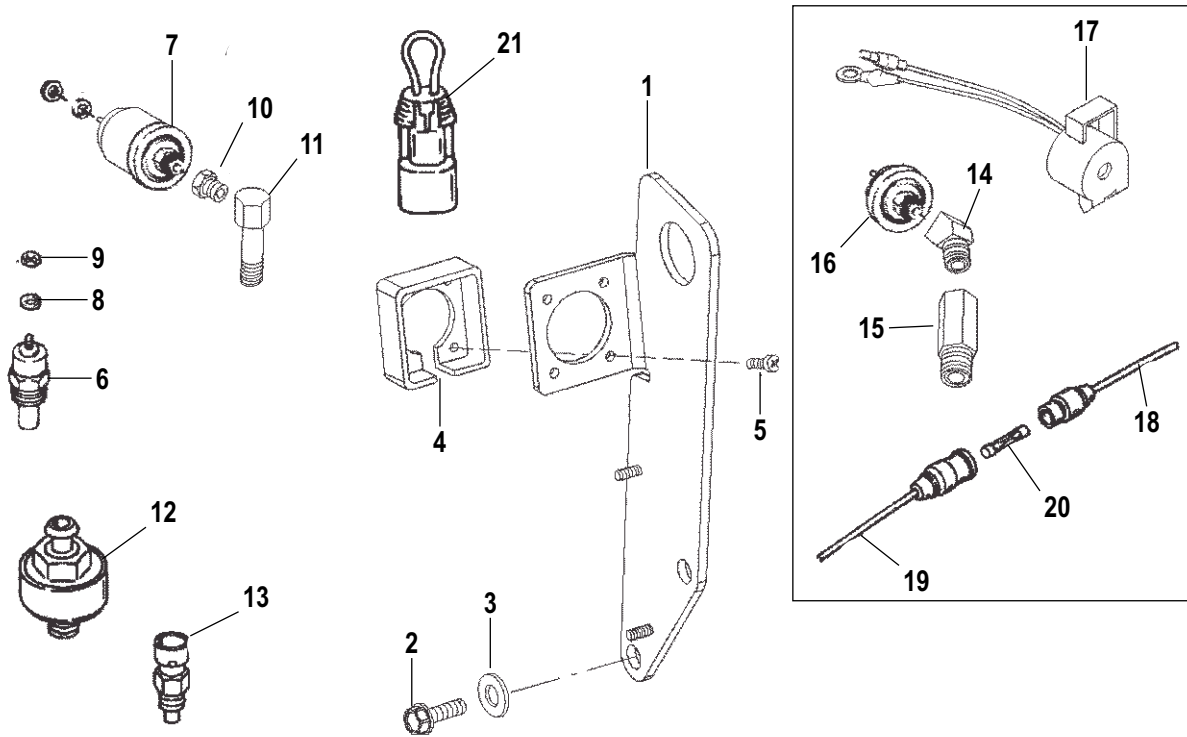


35070

DISTRIBUTOR AND IGNITION COMPONENTS

- [4] - Alternate part numbers:
 - 816608A68Service Part
 - 816608K68MPP
 - 816608Q68QS
- [5] - COMPONENT OF ENGINE OVERHAUL GASKET SET A802567A98

SENDERS AND HARNESS BRACKET



35602

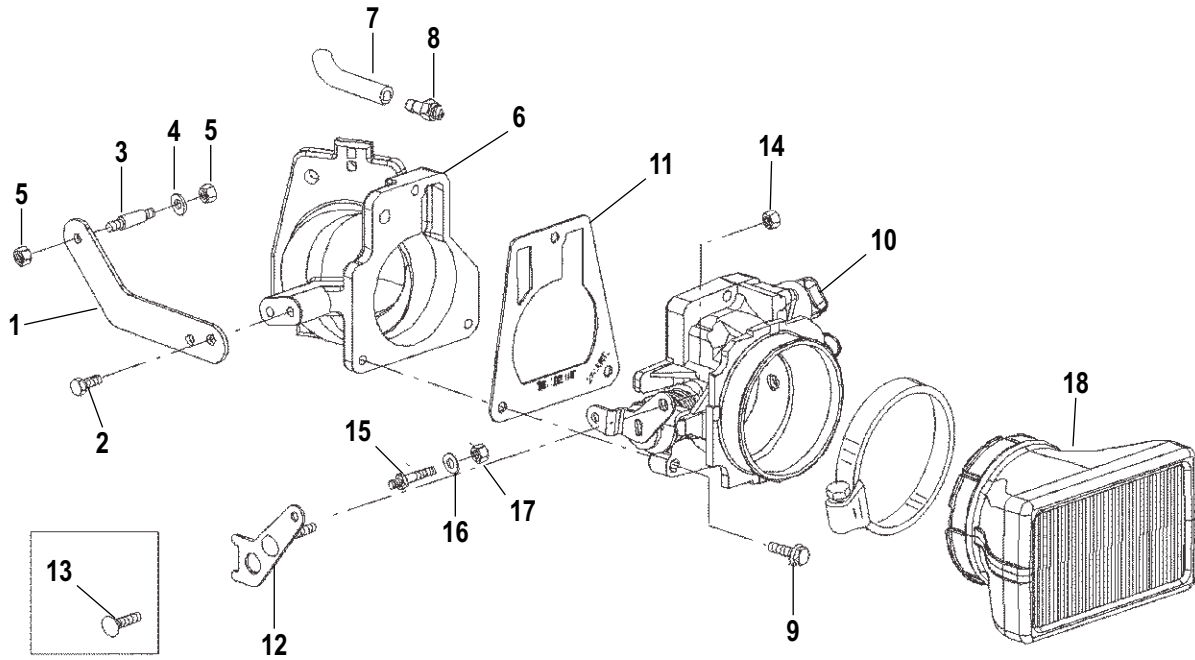
SENDERS AND HARNESS BRACKET

Ref #	Part Class	Part Number	Description	Comments	Qty	Note
1	0000	861176T	BRACKET/LIFTING EYE (REAR)		1	
2	0010	47461	SCREW (.437-14 x 1.00)		2	
3	0012	22248	WASHER (.453 x .875 x .060)		2	
4	0000	26079A2	PLATE KIT Wire Harness Mount		1	
5	0010	15001	SCREW (#8-16 x .875)		4	
6	0000	97257A1	SENDER ASSEMBLY Water Temperature		1	
6	0000	49734	SENDER	(DUAL STATION)	OPT	[1]
7	0000	815425T	SENDER ASSEMBLY		1	
7	0000	37293T	SENDER ASSEMBLY	(DUAL STATION)	OPT	[1]
8	0013	26996	LOCKWASHER (#10) Stainless Steel		2	
9	0011	68219	NUT (#10-32) Stainless Steel		2	
10	0022	64013	FITTING (.375 Male To .125 Female)		1	
11	0022	8053281	FITTING Elbow (90 Degree - .125)		1	
12	0000	805544T	SENSOR ASSEMBLY		1	
13	0000	805218T	SENSOR		1	
14	0022	29085	FITTING Elbow (45 Degree)		1	
15	0022	805059	FITTING		1	
16	0087	805605A1	SWITCH ASSEMBLY		1	
17	0000	816492A6	ALARM KIT		1	
18	0084	95084A9	CABLE ASSEMBLY (91.00 Inches) Red/Purple Strip (MALE)		1	
19	0084	95084A10	CABLE ASSEMBLY (5.00 Inches) Red (FEMALE)		1	
20	0088	79091	FUSE 20 Ampere		1	
21	0000	805592A1	CONNECTOR ASSEMBLY	(WHITE WIRE)	1	[2]
21	0000	830796A1	CONNECTOR ASSEMBLY	(BLACK WIRE)	1	[2]

PART NOTES:

- [1] - OPTIONAL
 [2] - PART IS NEW AND LISTED FOR THE FIRST TIME

THROTTLE BODY AND LINKAGE



35613

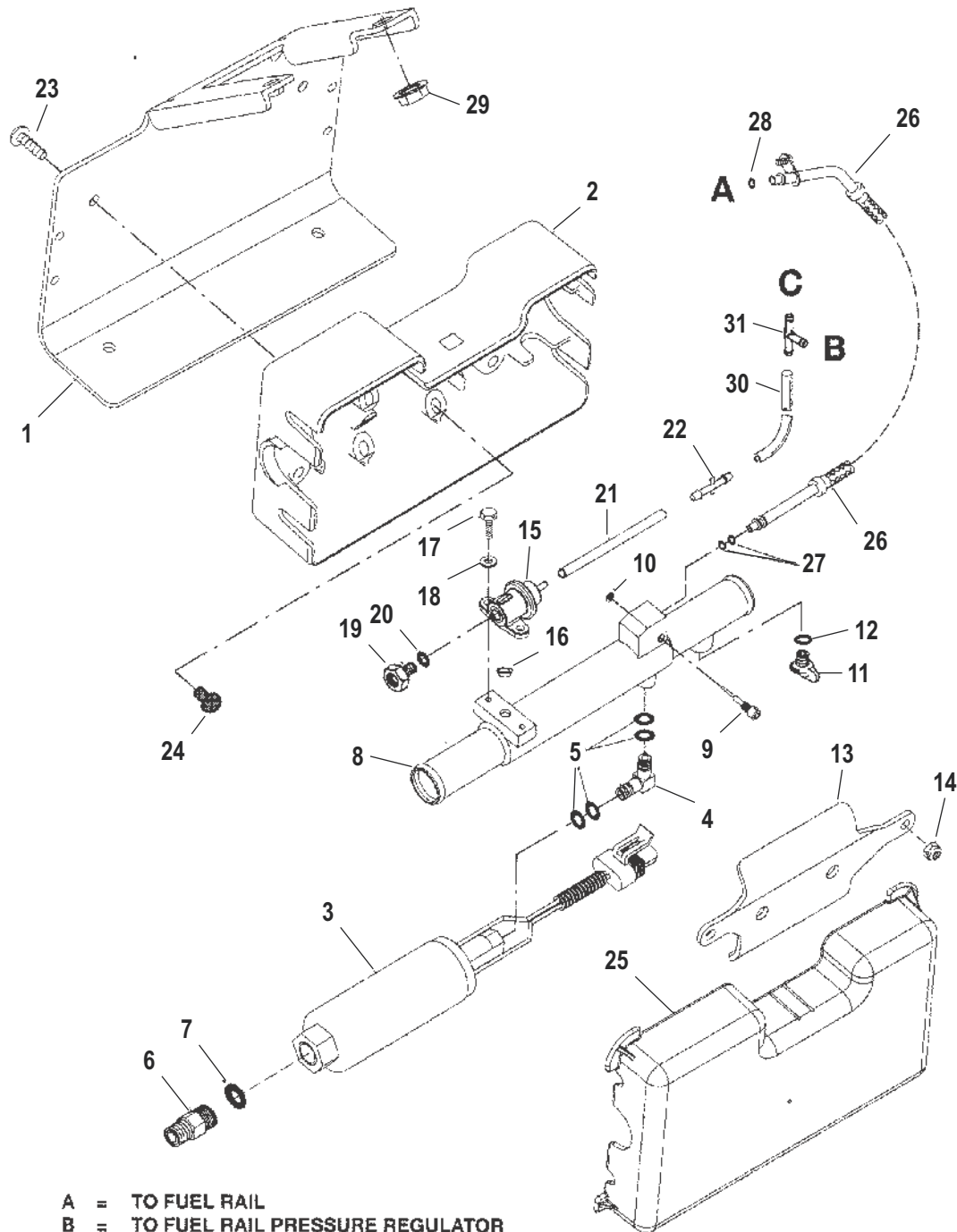
THROTTLE BODY AND LINKAGE

Ref #	Part Class	Part Number	Description	Comments	Qty	Note
1	0000	861121	BRACKET Throttle Cable		1	
2	0010	4000175	SCREW (M6 x 20)		2	
3	0016	38525	STUD		1	
4	0012	20533	WASHER		1	
5	0011	8267139	NUT (.250-28)		1	
6	0000	860325A1	TUBE ASSEMBLY Throttle Body Relocator		1	
7	0032	86197763	HOSE (33.00 Inches Bulk) (5 1/4 IN.)		1	
8	0022	807942	FITTING		2	
9	0010	40062129	SCREW (M6 x 25)		3	
10	0000	802622A1	THROTTLE BODY ASSEMBLY		1	
NS	0000	853678T	SENSOR TPS		1	
NS	0000	853677	VALVE Intake Air Control		1	
NS	0025	802625	O-RING		1	
NS	0010	853680	SCREW KIT		1	
11	0027	8615181	GASKET Throttle Body		1	[1]
12	0000	861120	LINKAGE Throttle		1	
13	0010	861465	SCREW (1/4-20 X 5/8 IN.)		1	
14	0011	8267088	NUT (.250-20)		1	
15	0016	805526	STUD (.250-28 x 1.540)		1	
16	0012	20533	WASHER		2	
17	0011	8267139	NUT (.250-28)		2	
18	0000	861062	FLAME ARRESTOR		1	
19	0054	815504256	CLAMP Worm Gear		1	
-	0027	802567A98	GASKET SET Engine Overhaul		1	

PART NOTES:

[1] - COMPONENT OF ENGINE OVERHAUL GASKET SET A802567A98

FUEL PUMP AND FUEL COOLER



- A = TO FUEL RAIL
- B = TO FUEL RAIL PRESSURE REGULATOR
- C = TO INTAKE PLENUM

20147

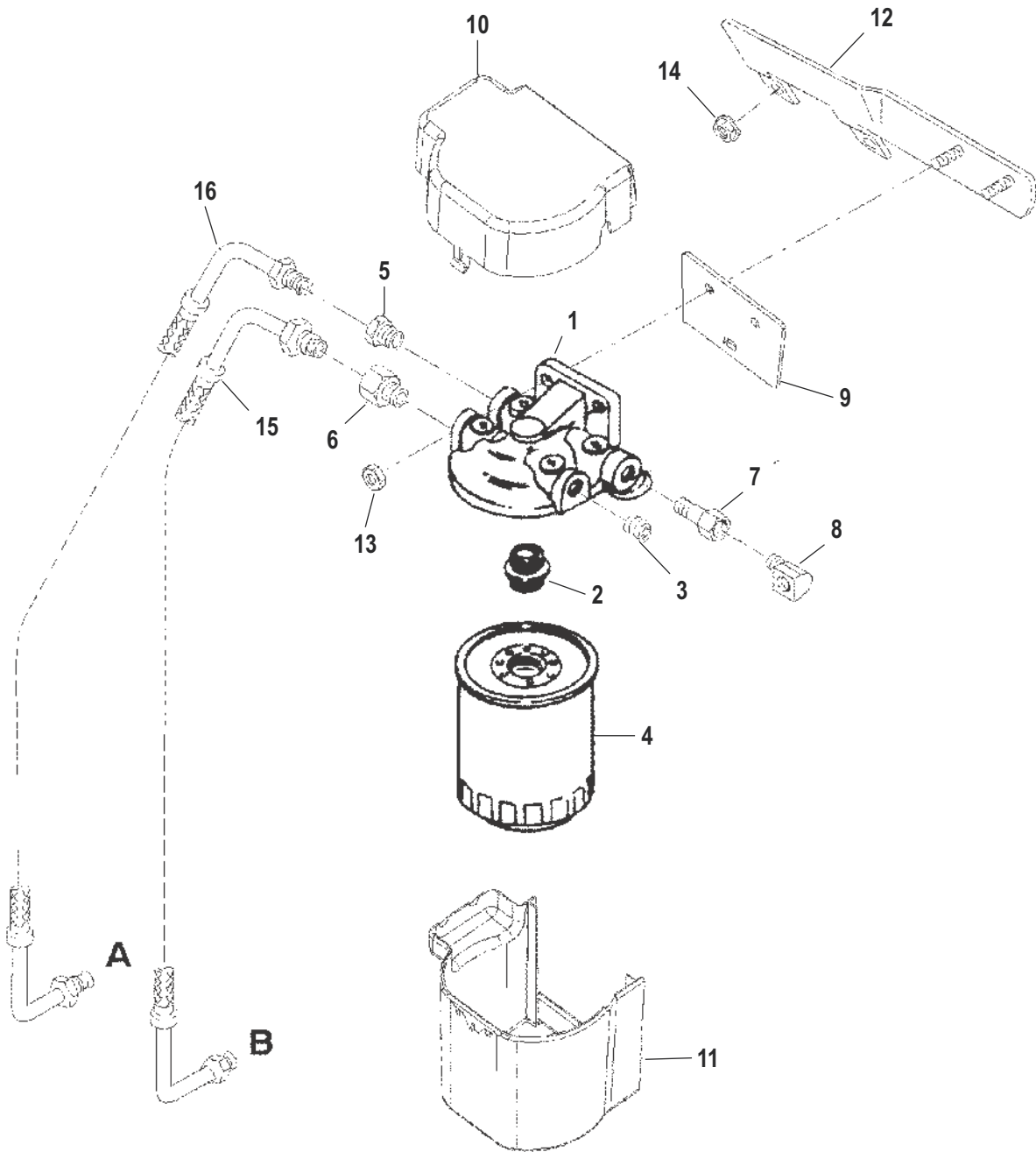
FUEL PUMP AND FUEL COOLER

Ref #	Part Class	Part Number	Description	Comments	Qty	Note
1	0000	807951T	BRACKET Fuel Cooler		1	
2	0000	807685T	INSULATOR		1	
3	0000	861156A1	PUMP ASSEMBLY (ELECTRIC)		1	
4	0022	807783A1	FITTING ASSEMBLY 90 Degree		1	
5	0025	805063	O-RING (.301 x .070)		4	[1]
6	0022	808001A1	FITTING ASSEMBLY		1	
7	0025	805062	O-RING (.530 x .082)		1	[1]
8	0000	861267A1	COOLER KIT Fuel		1	
9	0010	861303	SCREW (.250-28) Special		1	
10	0053	861414	RING Retaining		1	
11	0022	806608A1	PLUG KIT (.500-13) Royal Blue		1	[2]
12	0025	32509	O-RING (.489 x .070)		1	[1]
13	0000	807979T	BRACKET		1	
14	0011	29598	NUT (.250-28) Stainless Steel		2	
15	0000	861126A1	REGULATOR KIT (43 PSI)		1	[3]
16	0035	805406	FILTER		1	
17	0010	852368	SCREW (#10-24 x .750)		2	
18	0012	89302	WASHER (.203 x .406 x .040)		2	
19	0022	808002A1	FITTING KIT		1	
20	0012	36533	WASHER (.328 x .562 x .0312) Copper		1	
21	0032	80617379	HOSE (52.00 Inches Bulk) (9 IN.)		1	
22	0022	860273	CONNECTOR		1	
23	0010	808005	SCREW (.250-20 x .500)		4	
24	0000	269011	BUMPER Rubber		8	
25	0000	807930	INSULATOR		1	
26	0032	861563A1	LINE ASSEMBLY Fuel		1	[3]
27	0025	805063	O-RING (.301 x .070)		2	[1]
28	0025	861396	O-RING		1	[4]
29	0011	860069	NUT (.375-16)		2	
30	0032	80617379	HOSE (52.00 Inches Bulk) (One- 21 in.)(Two- 4 in.)		3	
31	0022	806689	FITTING Tee		1	
-	0027	802567A98	GASKET SET Engine Overhaul		1	

PART NOTES:

- [1] - COMPONENT OF ENGINE OVERHAUL GASKET SET A802567A98
- [2] - Alternate part numbers:
806608A 1Service Part
806608Q01QS
- [3] - PART IS NEW AND LISTED FOR THE FIRST TIME
- [4] - PART IS NEW AND LISTED FOR THE FIRST TIME
COMPONENT OF ENGINE OVERHAUL GASKET SET A802567A98

FUEL FILTER



A = TO FUEL PRESSURE REGULATOR
 B = TO FUEL PUMP

20148

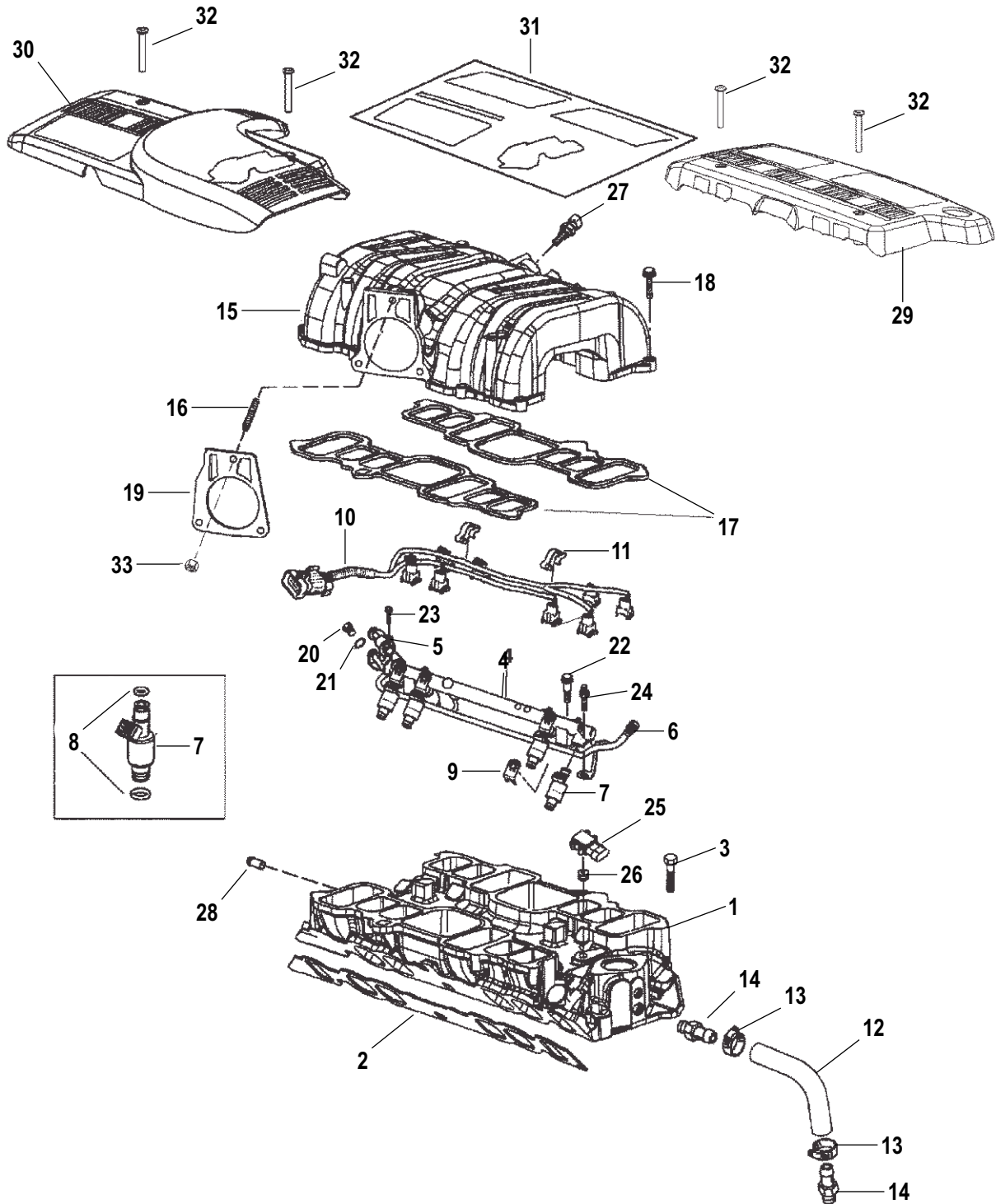
FUEL FILTER

Ref #	Part Class	Part Number	Description	Comments	Qty	Note
1	0000	89876A3	BASE ASSEMBLY Fuel Filter/Water Seperator		1	
2	0022	816133	FITTING		1	
3	0022	32561	PLUG Pipe - Allen Head (.250-18)		1	
4	0035	802893Q	FILTER Fuel/Water Separating - Quicksilver Brand		1	[1]
5	0022	33821	CONNECTOR		1	
6	0022	808003	CONNECTOR		1	
7	0022	807958	FITTING (1/4-18)		1	
8	0022	46982	FITTING (90 Degree)		1	
9	0000	807956T	INSULATOR Back		1	
10	0000	807806T	INSULATOR Cap		1	
11	0000	807807T	INSULATOR Base		1	
12	0000	807918T	BRACKET Fuel Filter Base		1	
13	0011	82670811	NUT (.312-24)		2	
14	0011	860069	NUT (.375-16)		2	
15	0032	807953	LINE ASSEMBLY Fuel		1	
16	0032	807954T	HOSE ASSEMBLY Fuel Regulator to Filter		1	

PART NOTES:

- [1] - Alternate part numbers:
 802893QQS
 802893TMPP
 807172Service Part

INTAKE MANIFOLD AND INTAKE PLENUM



35617

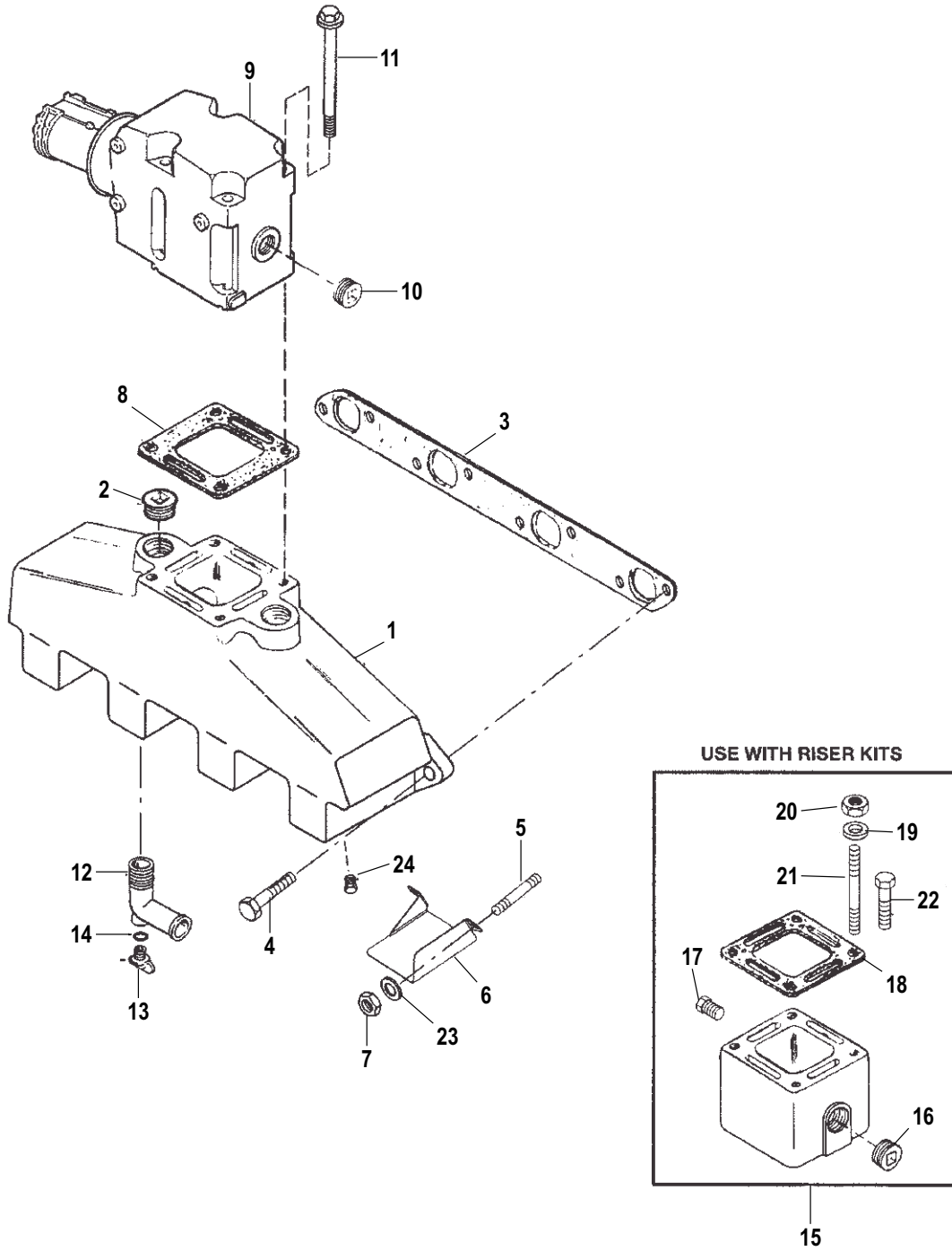
INTAKE MANIFOLD AND INTAKE PLENUM

Ref #	Part Class	Part Number	Description	Comments	Qty	Note
1	0000	802552T	MANIFOLD ASSEMBLY Intake		1	
2	0027	803184	GASKET SET		1	[1]
3	0010	802655	SCREW		12	
4	0000	802629	FUEL RAIL ASSEMBLY		1	
5	0000	802630T	REGULATOR Fuel Pressure		1	
N.S.	0025	802636	SEAL KIT Pressure Regulator		1	
6	0022	802631	VALVE AND CAP KIT		1	
7	0000	802632T	INJECTOR Fuel		8	
8	0025	802633	O-RING KIT		1	
9	0054	802634	CLIP KIT Injector		1	
10	0084	802635	HARNES ASSEMBLY Fuel Injector		1	
11	0054	802637	CLIP		2	
12	0032	8059871	HOSE Water Pump To Intake Manifold		1	
13	0054	815504212	CLAMP Worm Gear		2	
14	0022	806242	CONNECTOR		2	
15	0000	802551	PLENUM Intake		1	
16	0016	802561	STUD		3	
17	0027	802657	GASKET SET		1	
18	0010	802656	SCREW		8	
19	0027	807672	GASKET TBU Relocator Tube		1	[1]
20	0022	861041	PLUG Fuel Rail		1	
21	0025	861397	O-RING		1	[1]
22	0010	802659	SCREW		2	
23	0010	14070	SCREW (.250-20 x .625)		2	
24	0016	802658	STUD		1	
25	0000	861249A1	SENSOR ASSEMBLY Manifold Air Pressure		1	
26	0026	805412	SEAL		1	[1]
27	0000	805223T	SENSOR		1	
28		NSS	NOT SOLD SEPARATE FITTING, BARBED (TO FUEL PRESSURE REGULATORS)		1	
29	0000	861122	COVER Port		1	
30	0000	861123A54	COVER ASSEMBLY Starboard		1	
31	0037	861314A3	DECAL SET		1	
32	0010	805390	SCREW (.312-18 x 2.250)		4	
33	0011	802751	NUT		3	[2]
-	0027	802567A98	GASKET SET Engine Overhaul		1	

PART NOTES:

- [1] - COMPONENT OF ENGINE OVERHAUL GASKET SET A802567A98
 [2] - PART IS NEW AND LISTED FOR THE FIRST TIME

EXHAUST MANIFOLD AND EXHAUST ELBOW



35619

EXHAUST MANIFOLD AND EXHAUST ELBOW

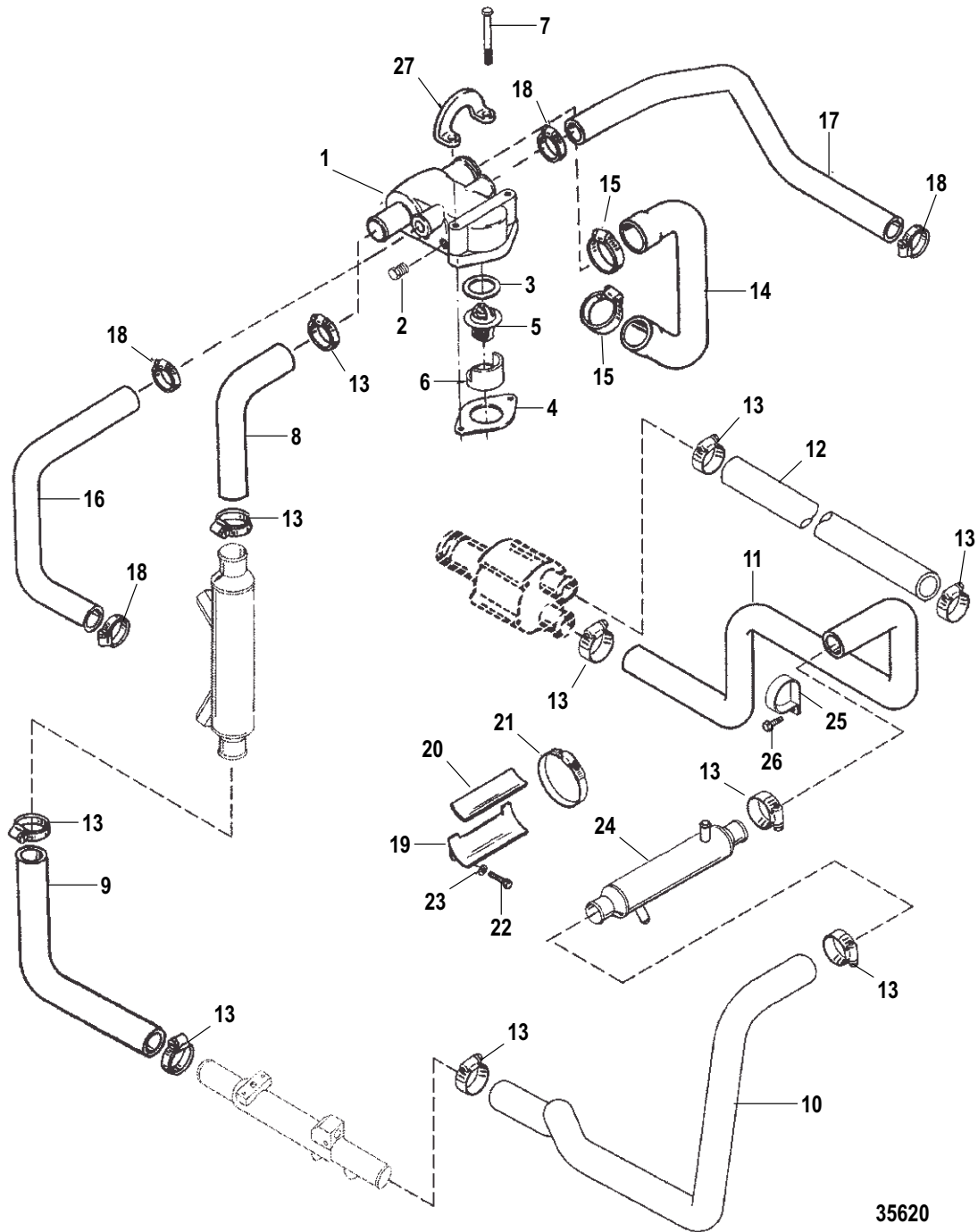
Ref #	Part Class	Part Number	Description	Comments	Qty	Note
1	0000	807078A6	MANIFOLD ASSEMBLY Exhaust		2	
2	0022	41622	PLUG (.750-14) Pipe		AR	[1]
3	0027	46820	GASKET		2	[2]
4	0010	37612	SCREW (.375-16 x 1.250)		14	
5	0016	860165	STUD		2	
6	0000	860203T	SHIELD Heat		1	
7	0011	28770	NUT (.312-24) Stainless Steel		2	
8	0027	863726	GASKET	(STANDARD COOLING)	2	
9	0000	807988A2	ELBOW ASSEMBLY Exhaust		2	
10	0022	41622	PLUG (.750-14) Pipe		2	
10	0022	428611	FITTING Pipe - Brass (.750-14)		2	
11	0010	43749	SCREW (.375-16 x 5.750)		8	
11	0010	43749	SCREW (.375-16 x 5.750)	SWISS EMISSIONS (BSO1 AND SAV1)	4	
11	0010	843504	SCREW (.380-16 x 1.500) Stainless Steel		4	
12	0022	806926A1	ELBOW KIT Drain		2	
13	0022	806608A1	PLUG KIT (.500-13) Royal Blue		2	[3]
14	0025	32509	O-RING (.489 x .070)		2	[2]
15	0000	93320A5	RISER KIT Exhaust (3 Inches)	EACH KIT CONTAINS 2 RISERS	1	
15	0000	93322A7	RISER KIT Exhaust (6 Inches)	EACH KIT CONTAINS 2 RISERS	1	
16	0022	41622	PLUG (.750-14) Pipe		2/4	
17	0022	328022	PLUG Pipe (.125-27) Brass		2/4	
18	0027	863726	GASKET		2	
19	0012	46132	WASHER	USE WITH 3 IN. RISER	4/8	
20	0011	805979	NUT (.375-24)	USE WITH 3 IN. RISER	4/8	
21	0016	11375	STUD (.375 x 9.56)	USE WITH 3 IN. RISER	4/8	
22	0010	14315	SCREW (.375-16 x 4.25)	-SWISS EMISSIONS (BSO1 AND SAV1) USE WITH 3 IN. RISER	4	
22	0010	12244	SCREW (.375-16 x 1.00)		8	
23	0012	843108	WASHER (.330 x .560 x .060) Stainless Steel		2	
24	0022	73379	PLUG (.250-18)		2	
-	0027	802567A98	GASKET SET Engine Overhaul		1	

PART NOTES:

- [1] - AS REQUIRED
- [2] - COMPONENT OF ENGINE OVERHAUL GASKET SET A802567A98
- [3] - Alternate part numbers:
806608A 1Service Part
806608Q01QS

EXHAUST MANIFOLD AND EXHAUST ELBOW

STANDARD COOLING SYSTEM



35620

STANDARD COOLING SYSTEM

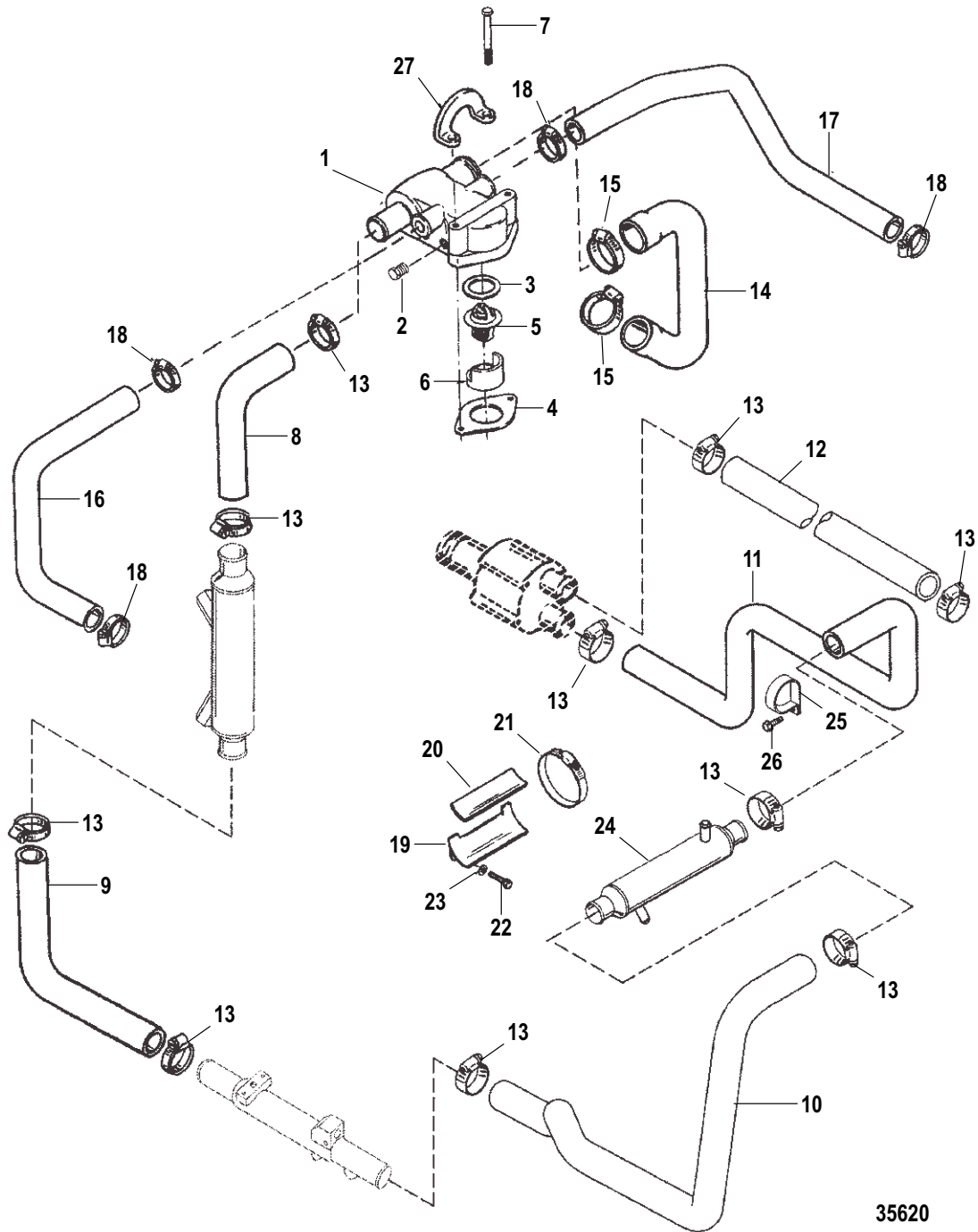
Ref #	Part Class	Part Number	Description	Comments	Qty	Note
1	0000	861006A1	HOUSING ASSEMBLY Thermostat		1	
2	0022	32803	PLUG Pipe (.375-18) Brass		2	
3	0027	806871	GASKET		1	[1]
4	0027	530451	GASKET		1	[2]
5	0000	807252T2	THERMOSTAT 71DegreeC (160 Degree F)		1	[3]
6	0023	806922	SLEEVE		1	
7	0010	35787	SCREW (.375-16 x 2.250)		2	
8	0032	8074072	HOSE		1	[4]
9	0032	807989	HOSE		1	
10	0032	808045	HOSE Fuel Cooler to Transmission Oil Cooler		1	
11	0032	808044	HOSE Molded		1	
12	0032	1743579	HOSE (96.00 Inches Bulk) (38 IN.)		1	
13	0054	815504222	CLAMP Worm Gear (1.98 Diameter)		10	
14	0032	861183	HOSE		1	[4]
15	0054	815504232	CLAMP Worm Gear (2.50 Diameter)		2	
16	0032	89749	HOSE		1	
17	0032	861318	HOSE		1	
18	0054	815504216	CLAMP Worm Gear (1.56 Diameter)		4	
19	0000	805546A2	BRACKET Oil Cooler		1	
20	0000	772233	PAD		1	
21	0054	815504232	CLAMP Worm Gear (2.50 Diameter)		1	
22	0010	816585	SCREW (.312-18 x .875)	Metal Cooler	1	
22	0010	8M2016106	SCREW (.312 x 1.25)	Composite Cooler (Included with 861554T02)	1	
23	0012	20572	WASHER (.390 x .750 x .093)		1	
24	0000	861554T	COOLER		1	
25	0054	47715	CLIP		1	
26	0010	35765A1	SCREW AND LOCKWASHER (.312-18 x .625)		1	
27	0000	12552	LIFTING EYE		1	
NS	0019	8079923	COVER Hose Clamp End		AR	[5]
-	0027	802567A98	GASKET SET Engine Overhaul		1	

PART NOTES:

- [1] - COMPONENT OF ENGINE OVERHAUL GASKET SET A802567A98
- [2] - Alternate part numbers:
53045 1Service Part
53045Q01QS
COMPONENT OF ENGINE OVERHAUL GASKET SET A802567A98
- [3] - Alternate part numbers:
807252Q 5QS Kit
807252T 2Service Part
807252T 5MPP Kit
- [4] - PART IS NEW AND LISTED FOR THE FIRST TIME

STANDARD COOLING SYSTEM

STANDARD COOLING SYSTEM

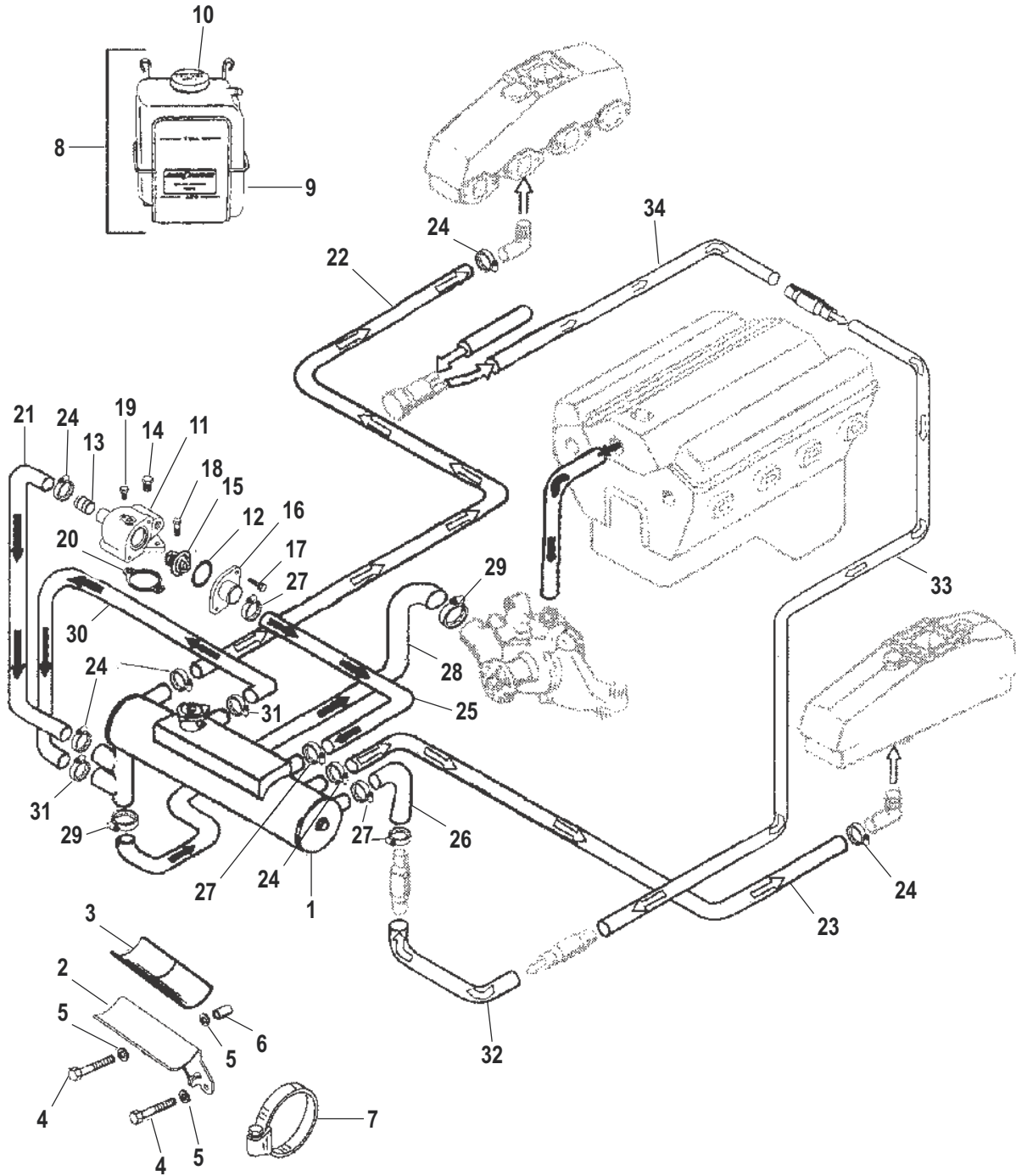


Cat.# 90-80999498

STANDARD COOLING SYSTEM

[5] - AS REQUIRED

CLOSED COOLING SYSTEM



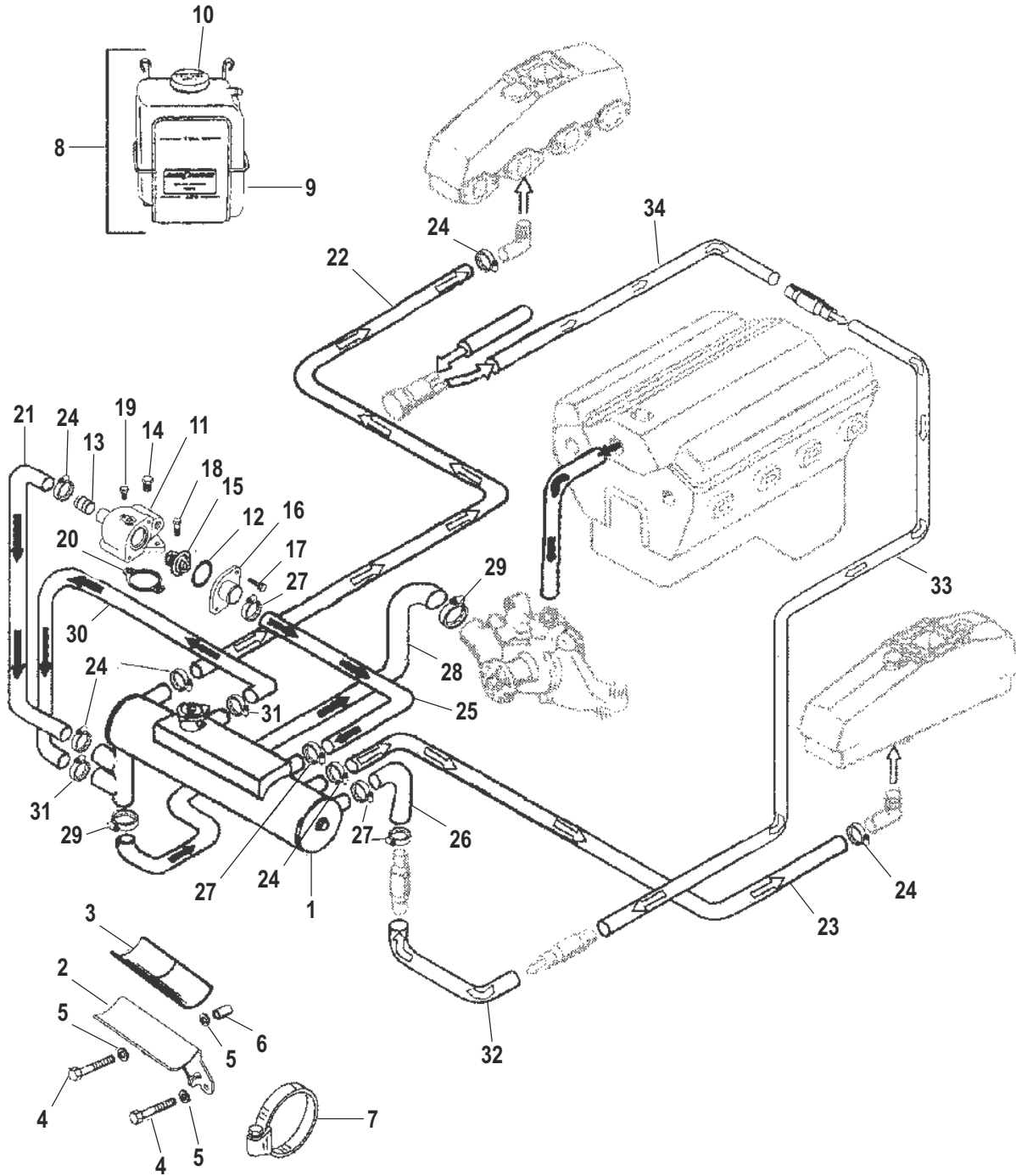
35622

CLOSED COOLING SYSTEM

Ref #	Part Class	Part Number	Description	Comments	Qty	Note
1	0000	807400A1	HEAT EXCHANGER		1	
NS	0000	814875	COVER Heat Exchanger End		2	
NS	0027	803644	GASKET		2	
NS	0010	814877	BOLT		2	
NS	0025	814878	O-RING Special		2	
NS	0036	8148791	CAP		1	
2	0000	860092A1	BRACKET ASSEMBLY Heat Exchanger		1	
3	0000	18431	PAD		2	
4	0010	91903	SCREW (.437-14 x 1.750)		1	
4	0010	47462	SCREW (.437-14 x 1.250)		1	
5	0012	31263	WASHER		4	
6	0023	905201	SPACER (.750 x .250)		2	
7	0054	815504388	CLAMP Worm Gear		2	
8	0000	71587A10	RECOVERY KIT Coolant	SOLD COMPLETE, PURCHASE COMPONENT PARTS LOCALLY.	1	
-	0032	774572	HOSE (48.00 Inches Bulk)		1	
9	0000	71587A11	BOTTLE Plastic		1	
10	0000	72058	CAP		1	
11	0000	861188A1	HOUSING ASSEMBLY Thermostat		1	
12	0025	8071341	SEAL		1	[1]
13	0023	863874	SLEEVE Water		1	
14	0022	32803	PLUG Pipe (.375-18) Brass		1	
15	0000	991551	THERMOSTAT		1	[2]
16	0000	807075A1	COVER		1	
17	0010	29198	SCREW AND LOCKWASHER (.312-18 x .875)		2	
18	0010	98794	SCREW (.375-16 x 1.00)		2	
19	0022	328022	PLUG Pipe (.125-27) Brass		1	
20	0027	530451	GASKET		1	[3]
21	0032	807692	HOSE Thermostat By Pass		1	
22	0032	861306	HOSE		1	
23	0032	807141	HOSE		1	
24	0054	815504216	CLAMP Worm Gear (1.56 Diameter)		6	
25	0032	807691	HOSE		1	
26	0032	807406	HOSE		1	
27	0054	815504222	CLAMP Worm Gear (1.98 Diameter)		4	
28	0032	805138	HOSE		1	
29	0054	815504232	CLAMP Worm Gear (2.50 Diameter)		2	
30	0032	99520	HOSE		1	
31	0054	815504212	CLAMP Worm Gear		2	
32	0032	807989	HOSE		1	
33	0032	808045	HOSE Fuel Cooler to Transmission Oil Cooler		1	
34	0032	808044	HOSE Molded		1	
NS	0019	8079923	COVER Hose Clamp End		AR	[4]

CLOSED COOLING SYSTEM

CLOSED COOLING SYSTEM



35622

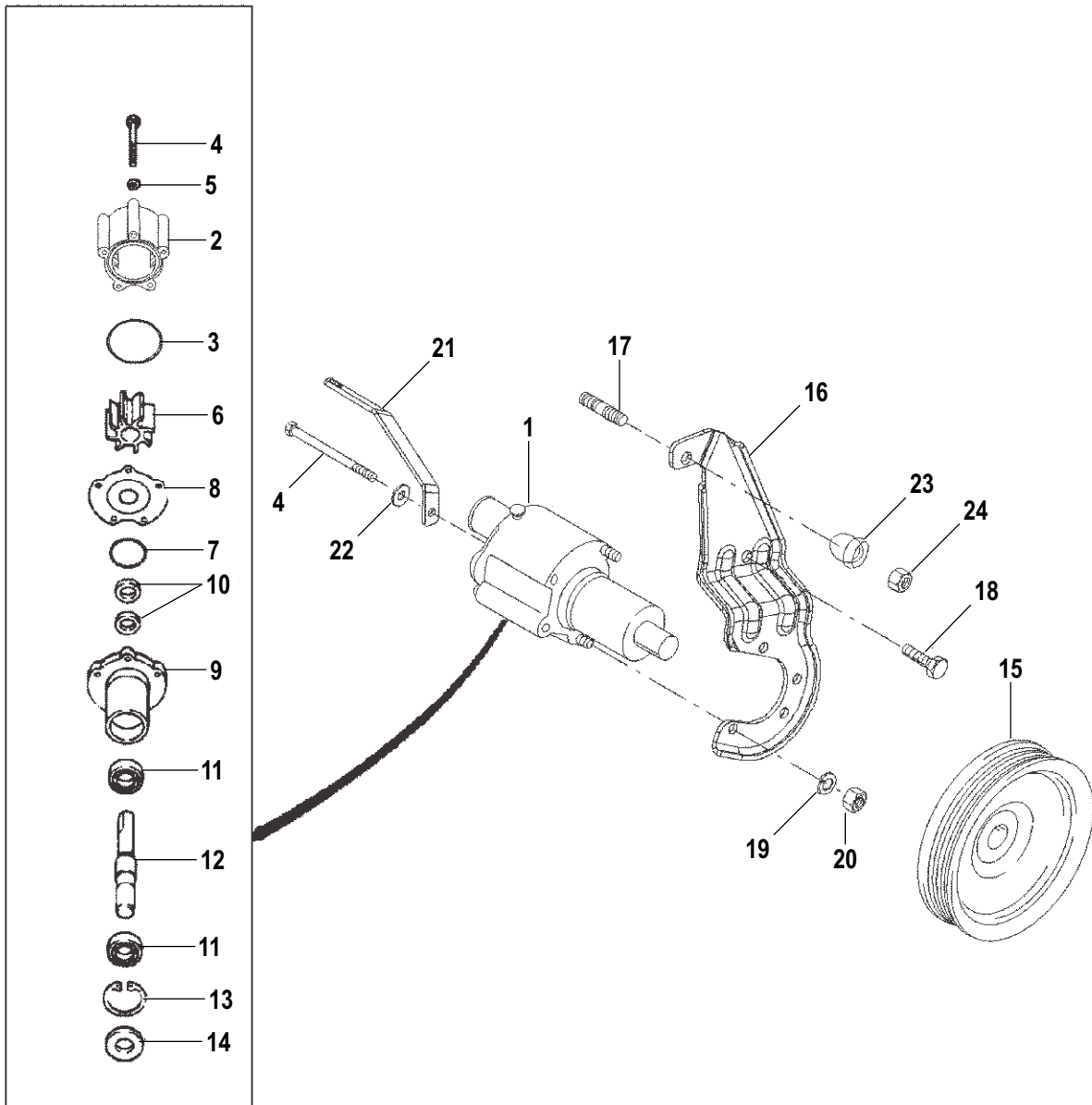
CLOSED COOLING SYSTEM

Ref #	Part Class	Part Number	Description	Comments	Qty	Note
-	0027	802567A98	GASKET SET Engine Overhaul		1	

PART NOTES:

- [1] - COMPONENT OF ENGINE OVERHAUL GASKET SET A802567A98
- [2] - Alternate part numbers:
99155 1Service Part
99155T 1Kit
- [3] - Alternate part numbers:
53045 1Service Part
53045Q01QS
COMPONENT OF ENGINE OVERHAUL GASKET SET A802567A98
- [4] - AS REQUIRED

SEA WATER PUMP



35665

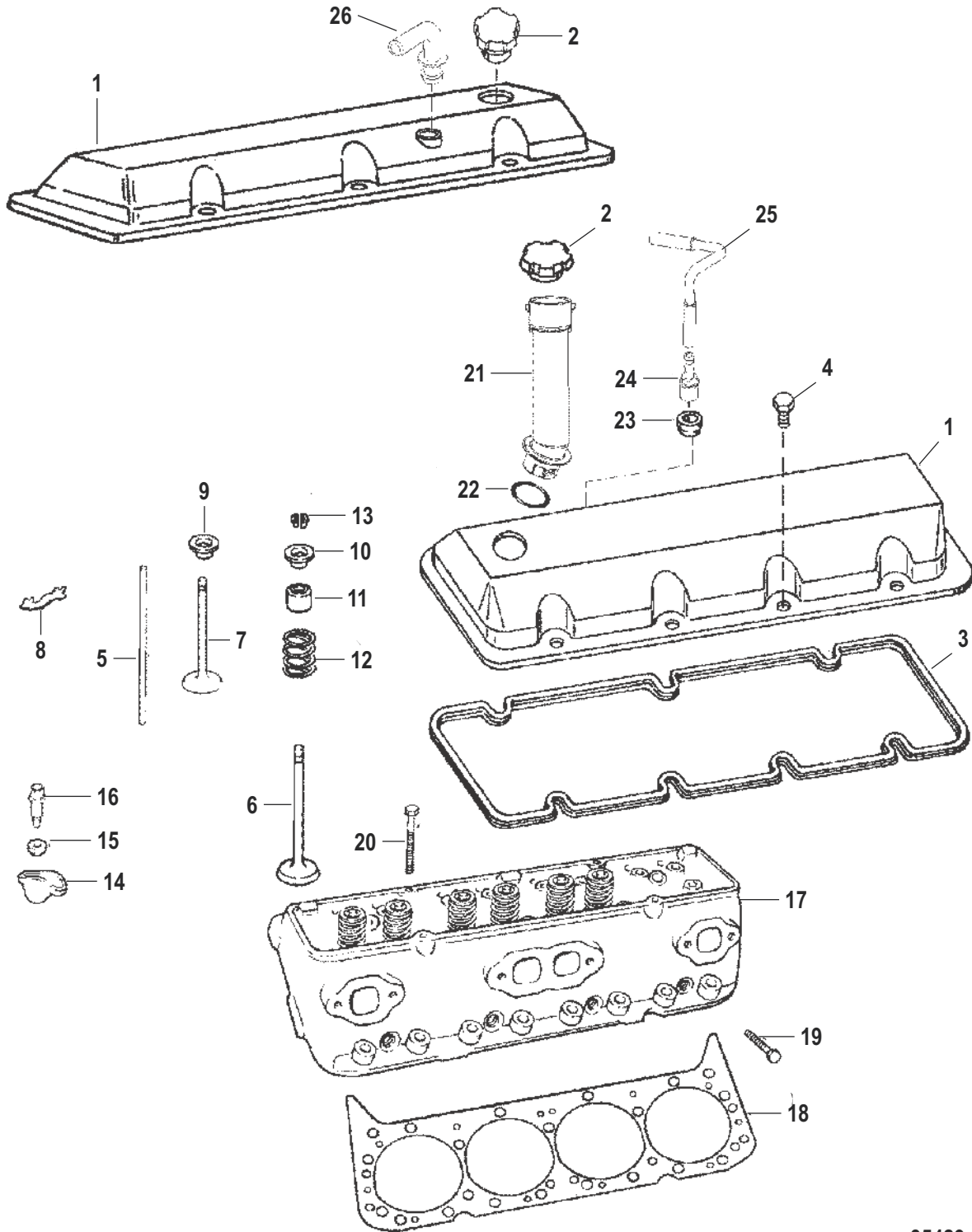
SEA WATER PUMP

Ref #	Part Class	Part Number	Description	Comments	Qty	Note
1	0046	807151A9	PUMP ASSEMBLY Sea Water		1	
2	0046	807151A14	BODY/IMPELLER KIT		1	
3	0025	33465	O-RING		1	
4	0010	74191	SCREW (.312-18 x 3.250)		5	
5	0012	814806	WASHER (.344 x .688 x .065) Stainless Steel		5	
6	0047	59362T1	IMPELLER		1	[1]
7	0025	94288	QUAD RING		1	
8	0000	94576	WEAR PLATE (INNER)		1	
9	0046	94913A5	HOUSING ASSEMBLY Pump		1	
10	0026	90562	SEAL (1.254 x .312)		2	
11	0030	72961	BEARING Ball		2	
12	0000	59501A1	SHAFT		1	
13	0053	23720	RING Retaining		1	
14	0026	72785	SEAL		1	
15	0000	861579	PULLEY		1	
16	0000	861087T	BRACKET		1	
17	0016	806591	STUD (7/16-14)		1	
18	0010	17965	SCREW (.437-14 x .70)		1	
19	0013	400247	LOCKWASHER (M8)		4	
20	0011	21908	NUT (.312-18) Cad Plated		4	
21	0000	861530	BRACE		1	
22	0012	814806	WASHER (.344 x .688 x .065) Stainless Steel		2	
23	0012	27345	WASHER		1	
24	0011	22024	NUT (.437-14)		1	

PART NOTES:

- [1] - Alternate part numbers:
59362Q01QS
59362T 1Service Part

CYLINDER HEAD AND ROCKER COVER



35429

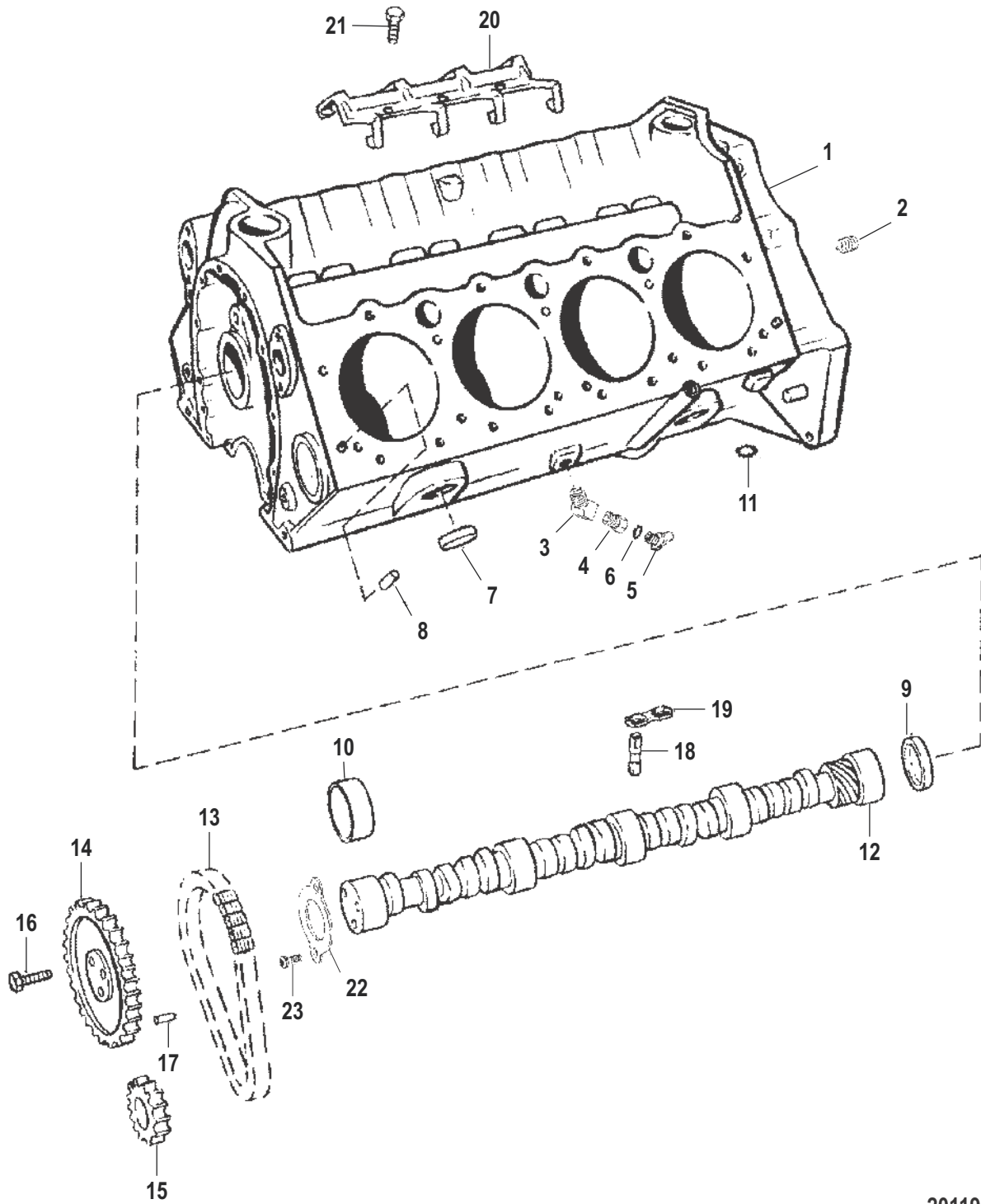
CYLINDER HEAD AND ROCKER COVER

Ref #	Part Class	Part Number	Description	Comments	Qty	Note
1	0000	802565	COVER Rocker		2	
2	0036	802566T	CAP		2	
3	0027	811588	GASKET Rocker Cover		2	[1]
4	0010	811589	BOLT (1/4-20 x 0.875) (1/4-20 X 5/8 IN.)		14	
5	0000	852003	PUSH ROD	(INTAKE)	8	
5	0000	852004	PUSH ROD	(EXHAUST)	8	
6	0000	814506	VALVE Exhaust	(STANDARD)	8	
6	0000	814507	VALVE Exhaust	(.015 O.S.)	AR	[2]
7	0000	49134	VALVE Intake	(STANDARD)	8	
8	0000	845707	GUIDE		8	
9	0000	850464	CAP		8	
10	0000	850463	ROTATOR		8	
11	0026	811545	SEAL Valve		16	[1]
12	0024	850465T	SPRING Valve		16	
13	0028	54530	KEY		32	
14	0000	850471	ARM Rocker		16	
15	0000	850472	BALL Rocker Arm		16	
16	0010	811593	BOLT Rocker Arm		16	
17	0938	802743	CYLINDER HEAD ASSEMBLY		2	[3]
18	0027	850470	GASKET Cylinder Head		2	[1]
19	0010	49106	BOLT (2.00 Inch)		8	
20	0010	845705	SCREW (.438-14 x 4.060)		24	
21	0036	861124	TUBE Oil Fill		1	
22	0025	29439	O-RING		1	
23	0025	811553	GROMMET		1	
24	0000	802748	VALVE PCV		1	[3]
25	0032	802749	TUBE PVC		1	[3]
26	0022	802750	ELBOW Breather		1	[3]
NS	0022	75983	PLUG (1/2-14)		2	
-	0027	802567A98	GASKET SET Engine Overhaul		1	

PART NOTES:

- [1] - COMPONENT OF ENGINE OVERHAUL GASKET SET A802567A98
 [2] - AS REQUIRED
 [3] - PART IS NEW AND LISTED FOR THE FIRST TIME

CYLINDER BLOCK AND CAMSHAFT



20119

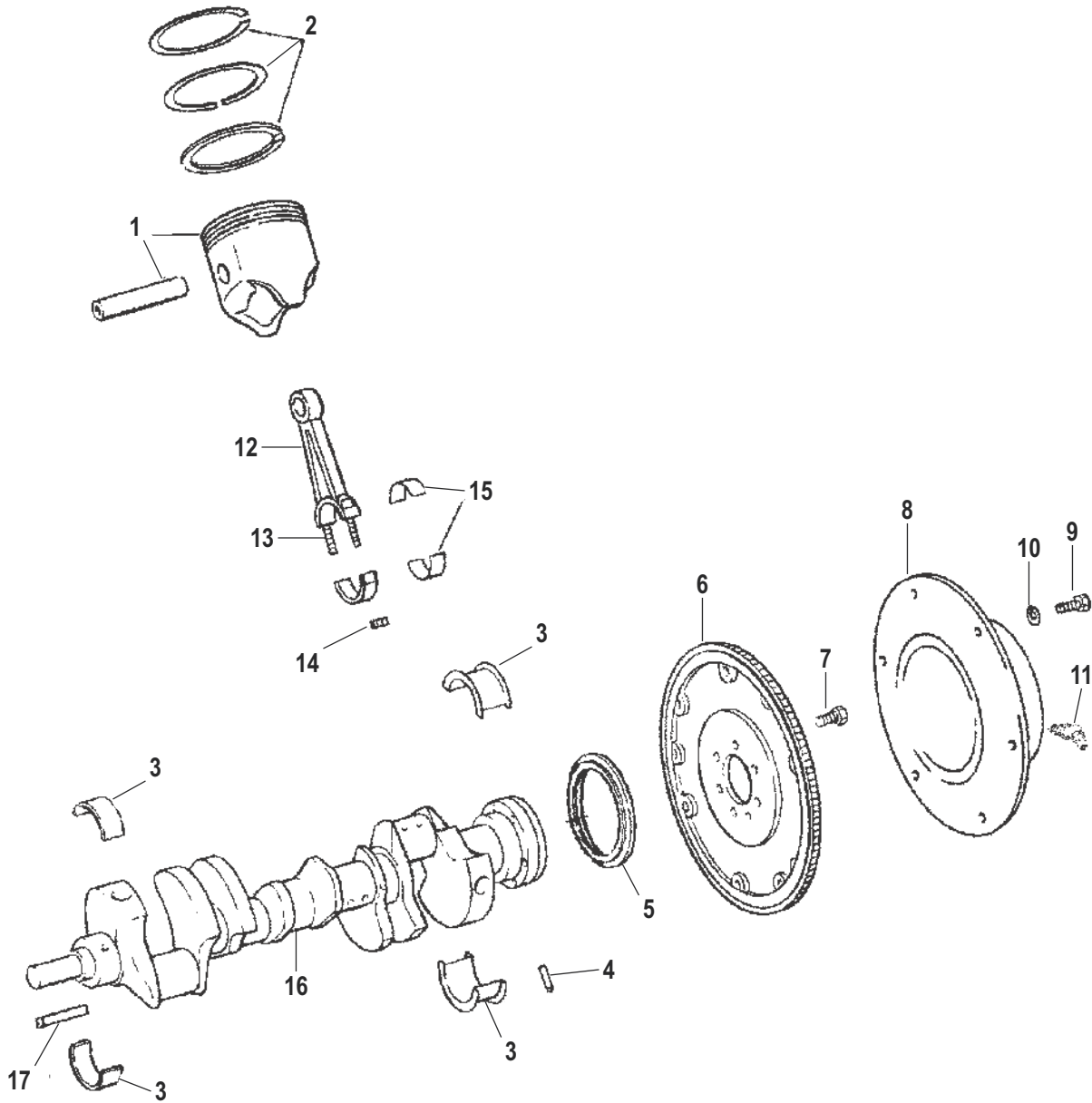
CYLINDER BLOCK AND CAMSHAFT

Ref #	Part Class	Part Number	Description	Comments	Qty	Note
1		NSS	NOT SOLD SEPARATE CYLINDER BLOCK	(ORDER LONG BLOCK 883281R5)	1	[1]
2	0022	48340	PLUG (.250-18 x .41)		4	
2	0022	48358	PLUG (.375)		2	
3	0022	37682	FITTING Elbow (45 Degree)		1	
4	0022	860088	BUSHING		2	
5	0022	806608A1	PLUG KIT (.500-13) Royal Blue		2	[2]
6	0025	32509	O-RING (.489 x .070)		2	
7	0019	34270	EXPANSION PLUG (1.625)		8	
8	0017	845758	PIN Dowel		4	
9	0019	94140	EXPANSION PLUG (REAR CAMSHAFT HOLE)		1	
10	0023	85684	BEARING SET		1	
11	0025	811528	O-RING (.500 Inch)		1	
12	0431	850453T	CAMSHAFT		1	
13	0000	845796T	CHAIN		1	
14	0043	850452	SPROCKET		1	
15	0043	811579	SPROCKET		1	
16	0010	35339	SCREW (.312-18 x .750)		3	
17	0017	35312	PIN Dowel (1/4 In. Diameter) (1/4 IN. DIA.)		1	
18	0000	850467T	LIFTER		16	
19	0000	845754	GUIDE		8	
20	0000	845755	RETAINER		1	
21	0010	808707	SCREW (.312-18 x .625)		4	
22	0000	845941	RETAINER		1	
23	0010	17343	SCREW (.250-20 x .500)		1	
NS	0000	845756T	SHEILD Oil Intake		1	
-	0000	883281R5	LONG BLOCK ASSEMBLY		1	[3]
-	0092	809825	RTV SILICONE (3 Ounce Tube) Metallic Blue		1	
-	0092	342271	SEALING COMPOUND (16 Ounce)		1	

PART NOTES:

- [1] - NOT SOLD SEPARATE
- [2] - Alternate part numbers:
806608A 1Service Part
806608Q01QS
- [3] - Alternate part numbers:
861097A 1QS
883281R 5Reman
883281R50Reman Int'l

CRANKSHAFT PISTONS AND CONN. RODS



35656

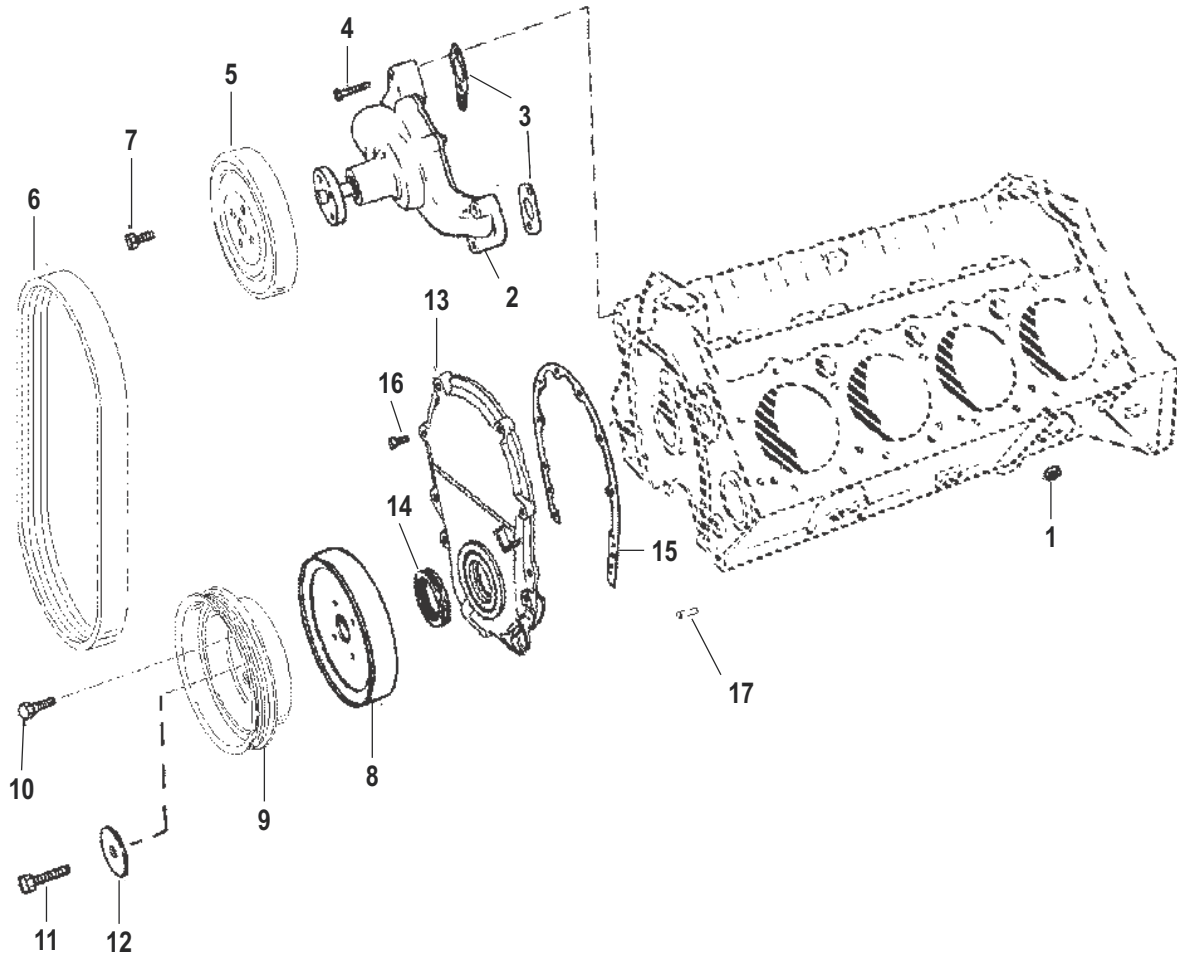
CRANKSHAFT PISTONS AND CONN. RODS

Ref #	Part Class	Part Number	Description	Comments	Qty	Note
1	0737	808740T	PISTON ASSEMBLY (STANDARD)		8	
1	0737	850449	PISTON ASSEMBLY (.030 O.S.)		AR	[1]
2	0039	827651T	RING Piston (STANDARD)		8	
2	0039	850447	RING Piston (.030 O.S.)		AR	[1]
3	0023	818473	BEARING SET Main - Standard		1	
3	0023	818474	BEARING SET Main - .001 Undersize		AR	[1]
3	0023	818475	BEARING SET Main - .002 Undersize		AR	[1]
3	0023	818476	BEARING SET Main - .010 Undersize		AR	[1]
3	0023	818477	BEARING SET Main - .020 Undersize		AR	[1]
4	0017	43504	PIN Dowel (1/4 IN. DIA.)		1	
5	0026	811554	SEAL		1	[2]
6	0230	811562	FLYWHEEL		1	
7	0010	49845	SCREW (.437-20 x 1.00)		6	
8	0000	861523A9	COUPLER ASSEMBLY Engine - Short Aluminum Hub		1	
9	0010	14883	SCREW (.375-16 x 1.12)		6	
10	0012	20572	WASHER (.390 x .750 x .093)		6	
11	0022	49099	FITTING		2	
12	0614	3553	CONNECTING ROD		8	
13	0010	52192	BOLT		16	
14	0011	37493	NUT (.375-24)		16	
15	0023	85726	BEARING SET Connecting Rod - Standard		8	
15	0023	85727	BEARING SET Connecting Rod - (.001 Undersize)		AR	[1]
15	0023	85728	BEARING SET Connecting Rod - (.002 Undersize)		AR	[1]
15	0023	85691	BEARING SET Connecting Rod - (.010 Undersize)		AR	[1]
15	0023	85729	BEARING SET Connecting Rod - (.020 Undersize)		AR	[1]
16	0429	811551	CRANKSHAFT		1	
17	0028	811558	KEY		1	
-	0027	802567A98	GASKET SET Engine Overhaul		1	

PART NOTES:

- [1] - AS REQUIRED
 [2] - COMPONENT OF ENGINE OVERHAUL GASKET SET A802567A98

WATER PUMP AND FRONT COVER



20121

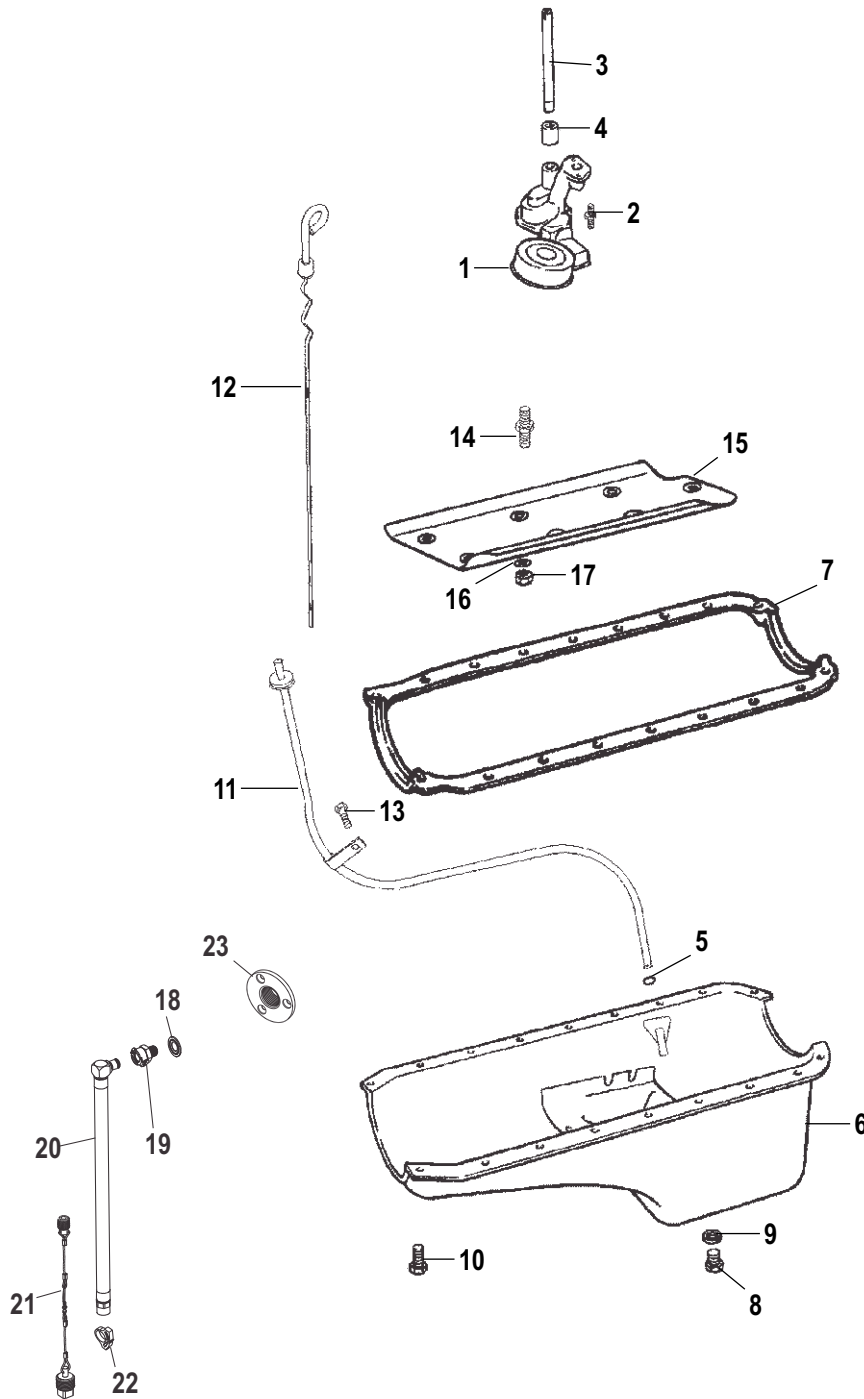
WATER PUMP AND FRONT COVER

Ref #	Part Class	Part Number	Description	Comments	Qty	Note
1	0000	807211	VALVE Relief	(30 PSI)	1	
2	0000	8504541	PUMP ASSEMBLY Circulating Water		1	[1]
3	0027	49110	GASKET Circulating Water Pump Mount		2	[2]
4	0010	811574	SCREW (.375-16 x 1.750)		4	
5	0000	807729T	PULLEY		1	
6	0057	861049	BELT Serpentine	(Use With 4-3/4 in. Plastic P/S Pump Pulley)	1	
6	0057	8638766	BELT Serpentine	(Use With 5-3/4 in. Metal P/S Pump Pulley)	1	
7	0010	47277	SCREW (.312-24 x .750)		4	
8	0000	850461	BALANCER		1	
9	0000	8077301	PULLEY		1	
10	0010	58126	BOLT (.375-24 x 1.25)		3	
11	0010	811559	SCREW (.500-20 x 2.500)		1	
12	0012	49103	WASHER		1	
13	0000	845610T	COVER ASSEMBLY Cylinder Front		1	
14	0026	8219471	SEAL		1	[2]
15	0027	850456	GASKET Front Cover Mount		1	[2]
16	0010	850455	SCREW (1/4-20 x 0.5) (1/4-20 X 1/2 IN.)		6	
17	0017	35312	PIN Dowel (1/4 In. Diameter)		1	
-	0027	802567A98	GASKET SET Engine Overhaul		1	

PART NOTES:

- [1] - Alternate part numbers:
850454 1QS
850454R03Reman
- [2] - COMPONENT OF ENGINE OVERHAUL GASKET SET A802567A98

OIL PAN AND OIL PUMP



1638

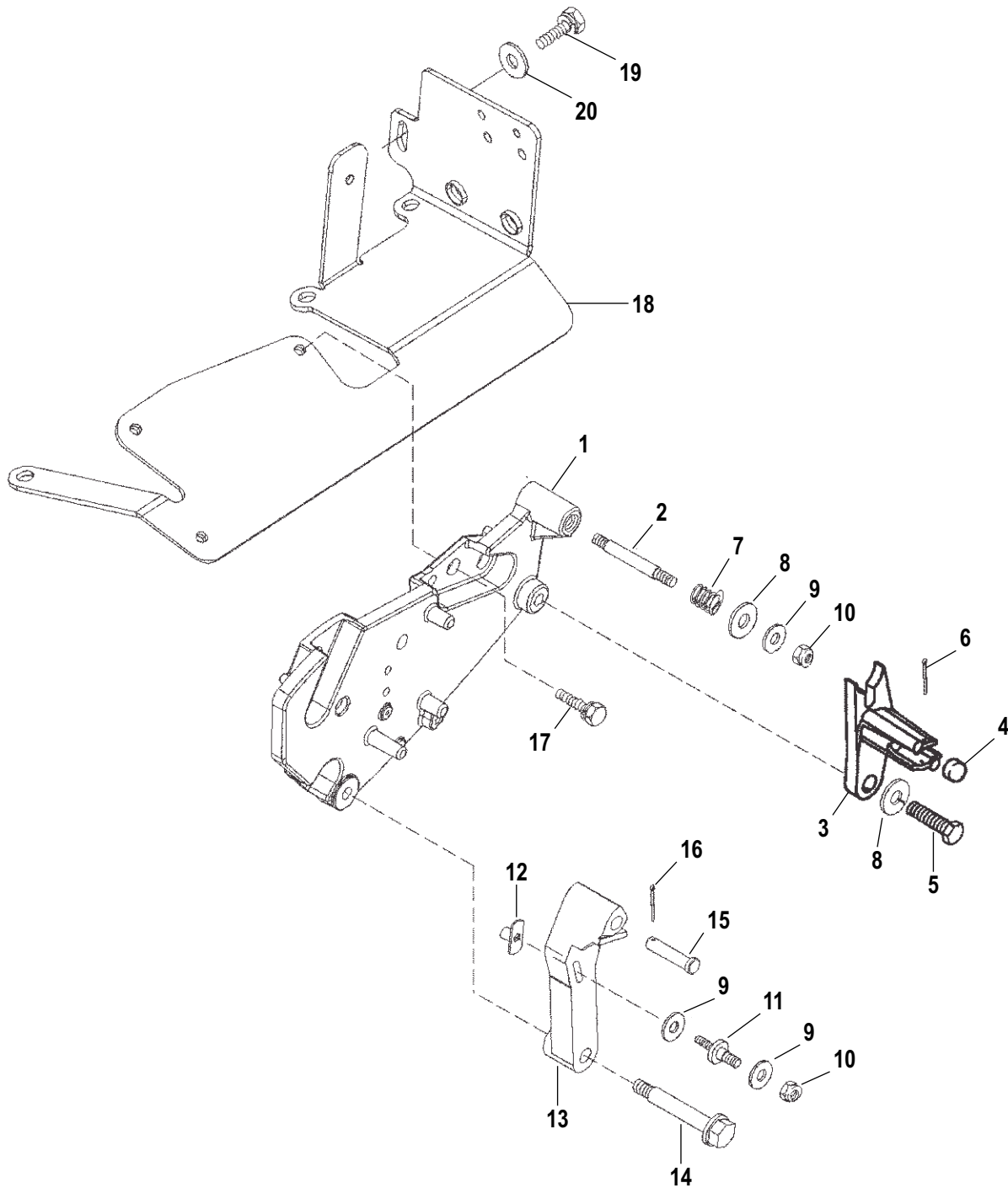
OIL PAN AND OIL PUMP

Ref #	Part Class	Part Number	Description	Comments	Qty	Note
1	0000	827643	PUMP ASSEMBLY Oil		1	
2	0016	49108	STUD		1	
3	0000	14761	SHAFT AND RETAINER		1	
4	0023	36183	RETAINER		1	
5	0025	62704	O-RING (.362 x .103)		1	[1]
6	0000	845668T	PAN ASSEMBLY Oil		1	
7	0027	811566	GASKET		1	[1]
8	0010	809911	SCREW Oil Drain (M12 x 1.75)		1	
9	0027	49955	GASKET Drain		1	[1]
10	0010	808707	SCREW (.312-18 x .625)		20	
11	0000	818631A6	TUBE ASSEMBLY Dipstick	(Use W/Mando Alternator)	1	
11	0000	818631A11	TUBE ASSEMBLY Dipstick		1	[2]
12	0000	861942T9	DIPSTICK Oil Level		1	
13	0010	35366	SCREW		1	
14	0016	811683	STUD (.375-16/500-12 x 5.500)		4	
15	0000	811682	BAFFLE		1	
16	0012	49112	WASHER		5	
17	0011	850091	NUT (.375-16)		5	
18	0027	49955	GASKET Drain		1	
19	0022	862811	FITTING Quick Connect (Female)		1	
20	0032	805505A4	HOSE Oil Drain		1	
21	0000	862827	TETHER ASSEMBLY		1	
22	0054	805524	CLIP		1	
23	0000	862777	FLANGE Drain		1	
-	0027	802567A98	GASKET SET Engine Overhaul		1	

PART NOTES:

- [1] - COMPONENT OF ENGINE OVERHAUL GASKET SET A802567A98
 [2] - PART IS NEW AND LISTED FOR THE FIRST TIME

SHIFT BRACKET



35658

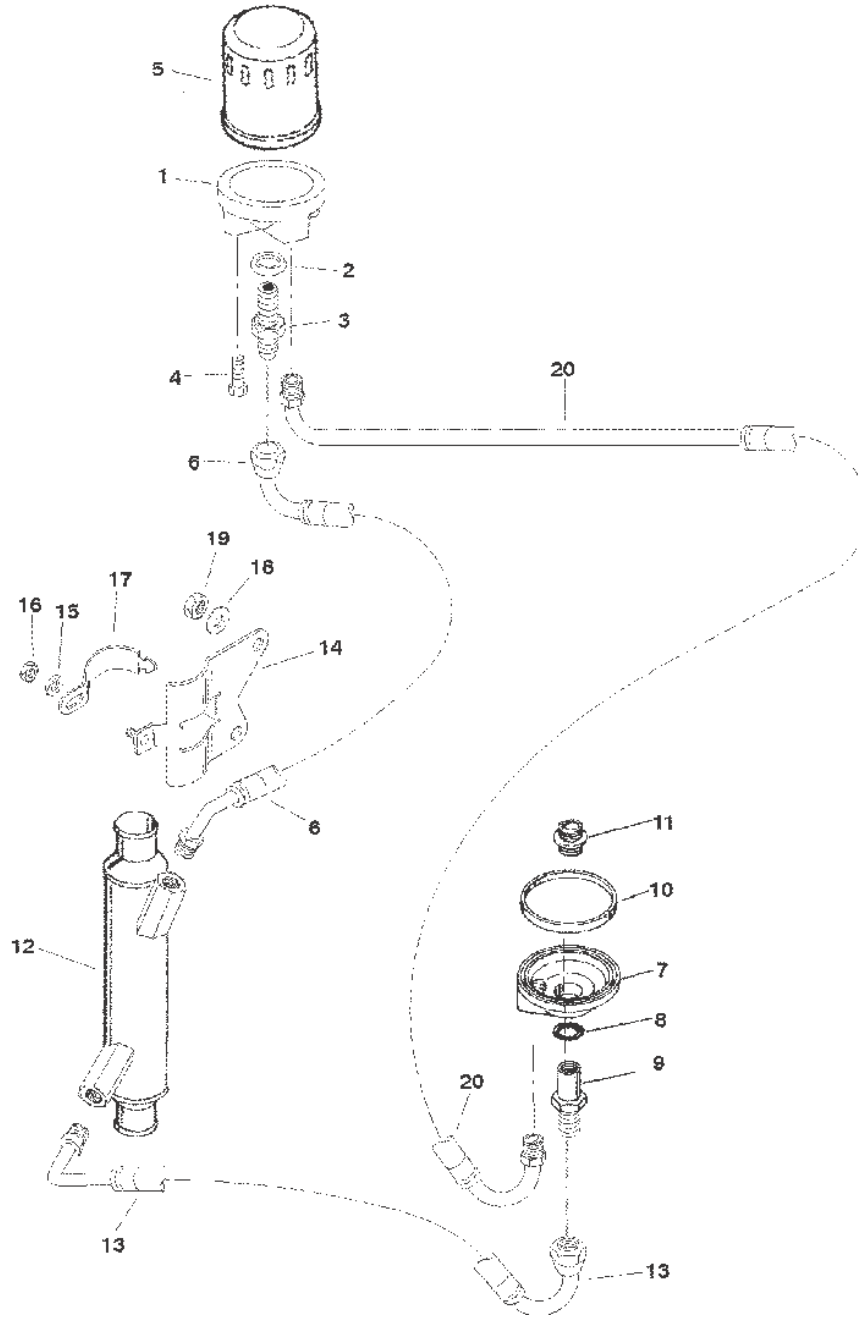
SHIFT BRACKET

Ref #	Part Class	Part Number	Description	Comments	Qty	Note
1	0000	807962A3	BRACKET ASSEMBLY Shift		1	
2	0016	987981	STUD (.250-20/.250-28 x 2.120)		1	
3	0000	123811	RETAINER		1	
4	0023	98828	SPACER		1	
5	0010	53167	SCREW (.312-18 x .880)		1	
6	0018	32857	COTTER PIN		1	
7	0024	98880	SPRING		1	
8	0012	56720	WASHER (.330 x .750 x .060) Stainless Steel		2	
9	0012	35462	WASHER (.2656 x .625 x .0625) Stainless Steel		4	
10	0011	8267119	NUT (.250-28)		2	
11	0016	96112	STUD (.250-28 x 2.00) Throttle Cable Anchor		1	
12	0011	63341	TEE NUT		1	
13	0000	138981	LEVER		1	
14	0010	13743	SCREW (.312-18 x 1.843) Shoulder		1	
15	0017	68402	PIN (.250 x 1.13)		1	
16	0018	21071	COTTER PIN		1	
17	0010	657461	SCREW AND LOCKWASHER (.250- 20 x .625)		3	
18	0000	861099	BRACKET		1	[1]
19	0010	29198	SCREW AND LOCKWASHER (.312- 18 x .875)		1	
20	0012	26168	WASHER		1	

PART NOTES:

[1] - PART IS NEW AND LISTED FOR THE FIRST TIME

OIL FILTER AND ADAPTOR



20124

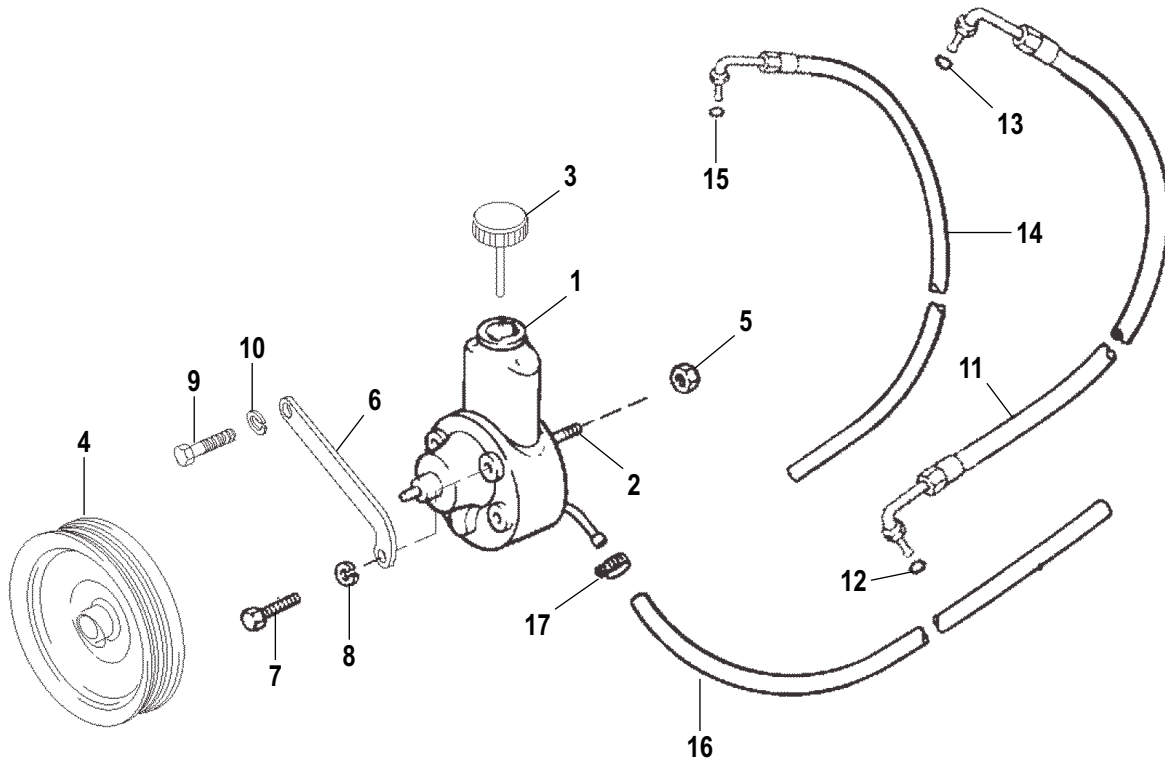
OIL FILTER AND ADAPTOR

Ref #	Part Class	Part Number	Description	Comments	Qty	Note
1	0000	806329T	ADAPTER Oil Filter		1	
2	0026	42077	SEAL		1	[1]
3	0022	806328	FITTING		1	
4	0010	98257	SCREW (.312-18 x .500)		2	
5	0035	802885Q	FILTER Oil		1	[2]
6	0032	861173	HOSE		1	
7	0000	818400A1	ADAPTER		1	
8	0026	42077	SEAL		1	[1]
9	0022	806121	FITTING		1	
10	0027	91892	GASKET		1	[1]
11	0022	805632	CONNECTOR		1	
12	0000	807371T1	COOLER Oil		1	
13	0032	807409	HOSE COOLER TO ADAPTOR		1	
14	0000	808043A1	BRACKET		1	
15	0012	35462	WASHER (.2656 x .625 x .0625) Stainless Steel		1	
16	0011	8267088	NUT (.250-20)		1	
17	0000	807445T	CLAMP		1	
18	0012	34567	WASHER		1	
19	0011	29553	NUT (.437-14)		1	
20	0032	861171	HOSE BRACKET TO ADAPTOR		1	
-	0027	802567A98	GASKET SET Engine Overhaul		1	

PART NOTES:

- [1] - COMPONENT OF ENGINE OVERHAUL GASKET SET A802567A98
- [2] - Alternate part numbers:
14957Service Part
802885QQS
802885TMPP

POWER STEERING COMPONENTS



35659

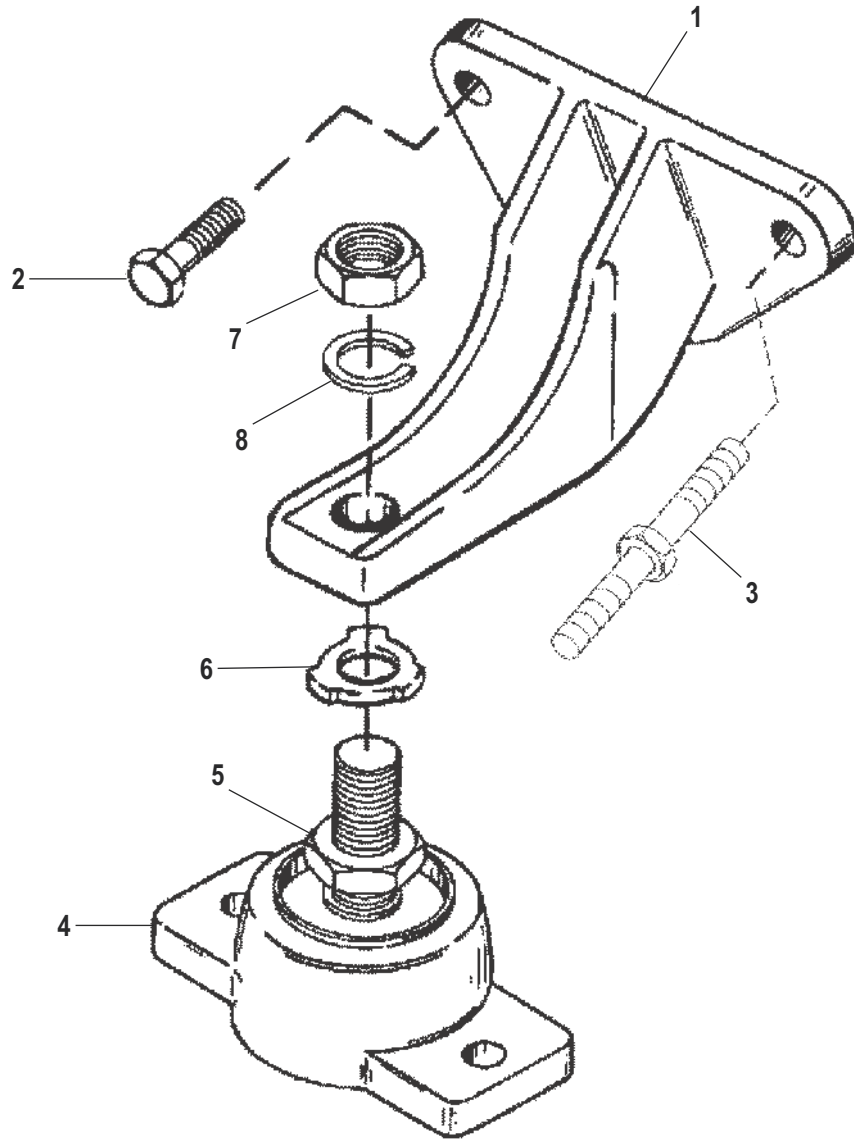
POWER STEERING COMPONENTS

Ref #	Part Class	Part Number	Description	Comments	Qty	Note
1	0000	16792A39	PUMP ASSEMBLY		1	
2	0016	41877	STUD (M10)		2	
3	0036	95805	CAP		1	
4	0000	861578	PULLEY Reference MCM Parts Bulletin 98-1		1	
5	0011	90517	NUT (M10)		2	
6	0000	861048	BRACE		1	
7	0010	40001188	SCREW (M10 x 20)		1	
8	0013	400248	LOCKWASHER (M10)		1	
9	0010	98261	SCREW (.375-16 x .750)		1	
10	0013	35048	LOCKWASHER (.375)		1	
11	0032	86131720	HOSE	(FITTINGS ON BOTH ENDS)	1	
12	0025	89879	O-RING (.301 x .064)		1	
13	0025	806232	O-RING (.239 x .064)		1	
14	0032	80622142	HOSE ASSEMBLY (84.00 Inches Bulk) Return	(FITTING ON ONE END)	1	
15	0025	89879	O-RING (.301 x .064)		1	
16	0032	5251914	HOSE (53.00 Inches Bulk) Pump to Oil Cooler - (40 IN.)		1	
17	0054	815504105	CLAMP Worm Gear (11-18 mm)		3	
NS	0019	8079921	COVER Hose Clamp End		AR	[1]
NS	0022	806231	COUPLER Power Steering Metric (Shipping)		1	

PART NOTES:

[1] - AS REQUIRED

ENGINE MOUNTING

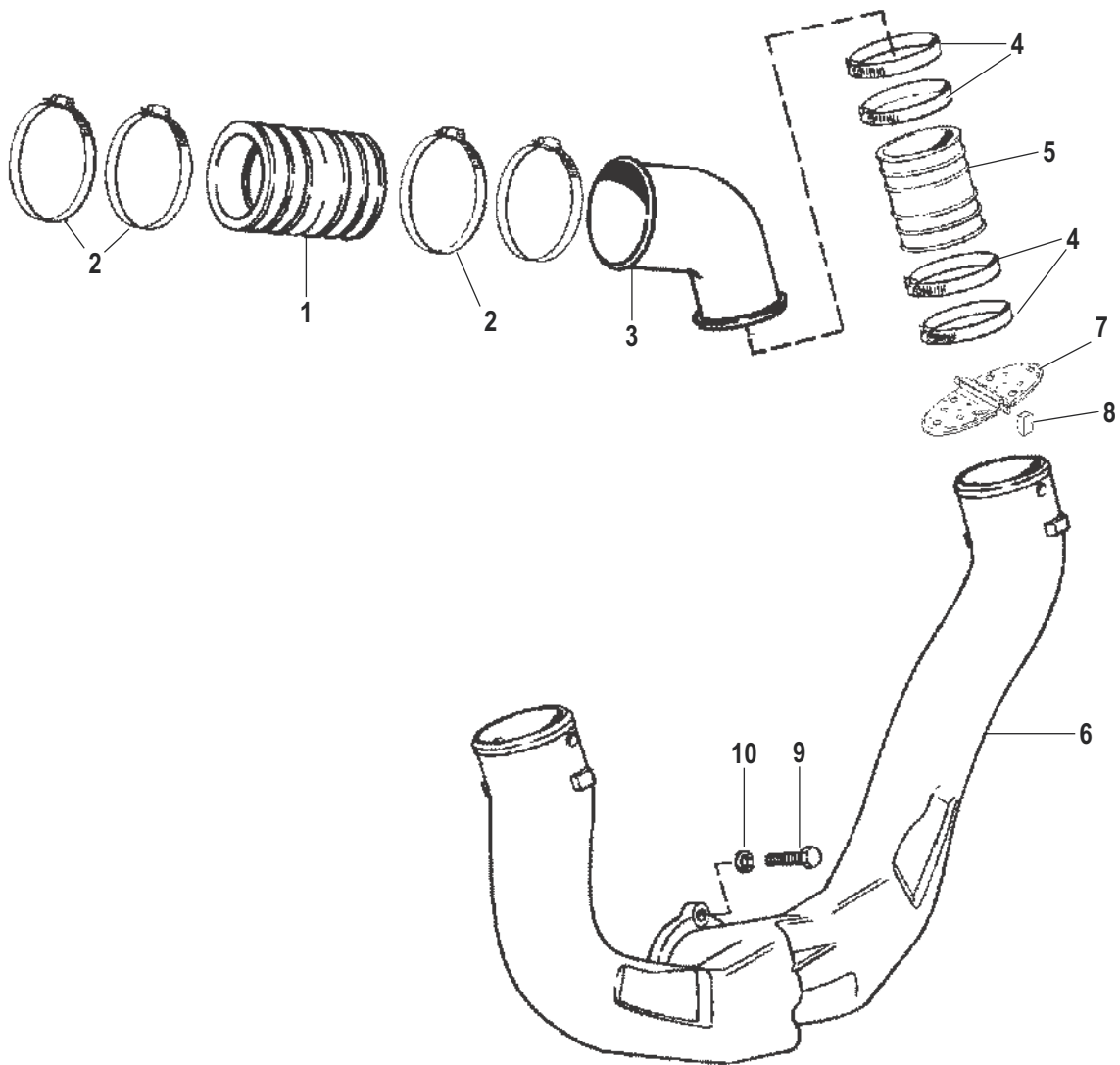


35660

ENGINE MOUNTING

Ref #	Part Class	Part Number	Description	Comments	Qty	Note
1	0000	79550A1	BRACKET		2	
2	0010	68101	SCREW (.375-16 x 1.375)		2	
3	0016	805357	STUD (.375-16 x 2.130)		4	
4	0000	814263A1	BASE ASSEMBLY		2	
5	0011	816331	NUT (.750-16)		2	
6	0014	12657	TAB WASHER		2	
7	0011	859126	NUT (.750-16)		2	
8	0013	68102	LOCKWASHER (.750)		2	

EXHAUST SYSTEM



14055

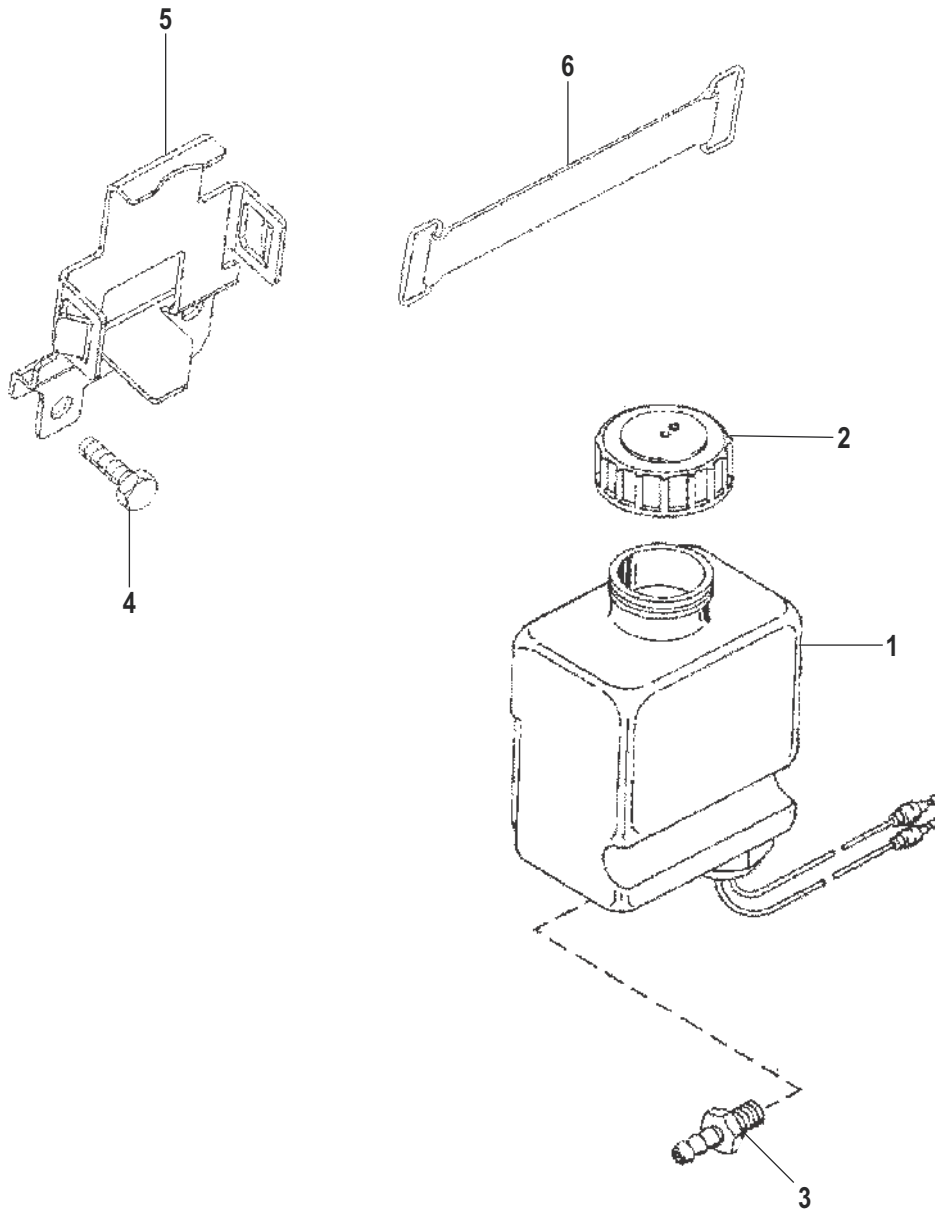
EXHAUST SYSTEM

Ref #	Part Class	Part Number	Description	Comments	Qty	Note
1	0032	44348T	TUBE		2	
1	0032	4865910	TUBE Exhaust (16.25 Inches)	(USE WITH BLACKTRAC)	2	
2	0054	815504272	CLAMP Worm Gear		8	
3	0000	44267T	ELBOW Exhaust		2	
3	0000	807963A1	ELBOW ASSEMBLY Exhaust	(USE WITH 3 IN. & 6 IN. RISER KIT)	AR	[1]
4	0054	815504272	CLAMP Worm Gear		8	
5	0032	14358T	TUBE		2	
6	0000	807130A4	PIPE		1	
7	0000	807166A1	SHUTTER ASSEMBLY Water		2	
8	0025	807167	GROMMET		4	
9	0010	58640	SCREW (.375-16 x 1.25)		4	
10	0013	41471	LOCKWASHER (.375)		4	

PART NOTES:

[1] - AS REQUIRED

OIL RESERVOIR BOTTLE AND BRACKET

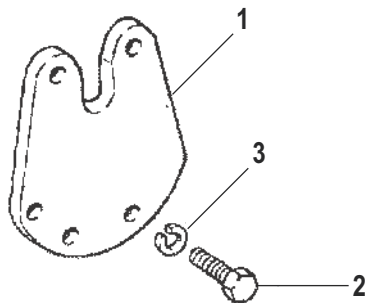


9926

OIL RESERVOIR BOTTLE AND BRACKET

Ref #	Part Class	Part Number	Description	Comments	Qty	Note
1	0000	806193A33	MONITOR ASSEMBLY Oil		1	
2	0036	808625	CAP Drive Lube Monitor Oil Bottle		1	
3	0022	808624	CONNECTOR		1	
4	0010	98261	SCREW (.375-16 x .750)		2	
5	0000	860065A1	BRACKET KIT Oil Bottle		1	
6	0000	808023T	STRAP Bracket		1	

EXHAUST BLOCK-OFF PLATE



20126

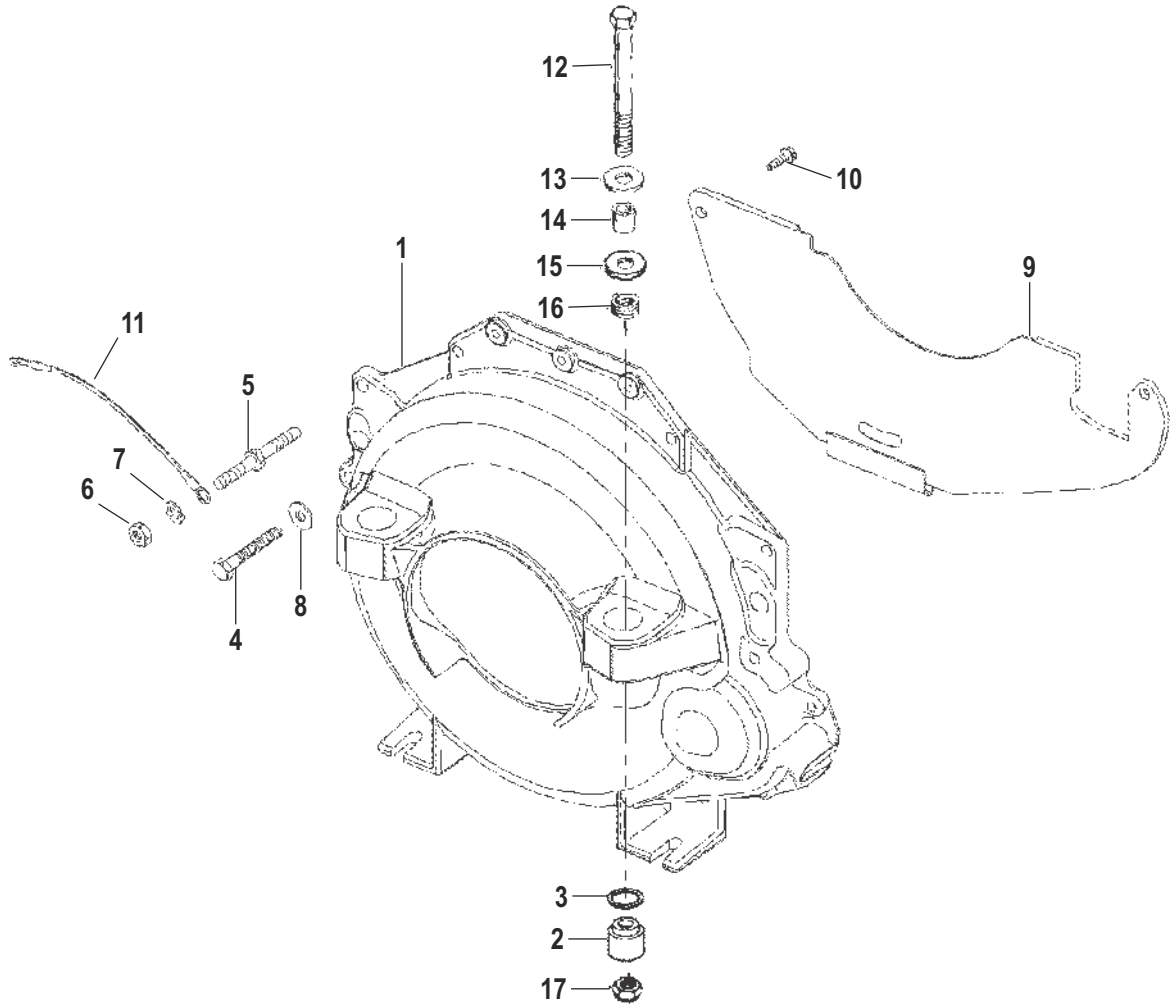
Cat.# 90-80999498

EXHAUST BLOCK-OFF PLATE

Ref #	Part Class	Part Number	Description	Comments	Qty	Note
1	0000	861776A2	PLATE KIT		1	
2	0010	98794	SCREW (.375-16 x 1.00)		4	
3	0013	41471	LOCKWASHER (.375)		4	
4	0000	860222A1	RESONATOR		1	

EXHAUST BLOCK-OFF PLATE

FLYWHEEL HOUSING



12816

FLYWHEEL HOUSING

Ref #	Part Class	Part Number	Description	Comments	Qty	Note
1	0000	12675A7	HOUSING ASSEMBLY Flywheel		1	
2	0000	88791T	MOUNT Rubber		2	
3	0023	99322	SPACER		2	
4	0010	37612	SCREW (.375-16 x 1.250)		3	
4	0010	32132	SCREW (.375-16 x 1.750)		1	
5	0016	64066	STUD (.375-16 x 2.750) Special		2	
6	0011	32219	NUT (.375-16)		2	
7	0013	35048	LOCKWASHER (.375)		2	
8	0012	20572	WASHER (.390 x .750 x .093)		1	
9	0000	807260A2	COVER KIT Flywheel		1	
10	0010	76596	SCREW (.250-20 x 1.250)		2	
11	0084	62826A6	CABLE ASSEMBLY Ground (13.00 Inches) Black		1	
12	0010	97934	SCREW (.500-20 x 5.370) Special		2	
13	0012	35777	WASHER (.5156 x 1.375 x .125) Aluminum		2	
14	0023	99299	SPACER (.520 x .870 x .630)		2	
15	0012	32834	WASHER (.9375 x 1.750 x .172)		2	
16	0013	33734	LOCKWASHER (.500)		2	
17	0011	863332	NUT (.500-20) Aluminum		2	

PARTS INDEX

Part No.	Description	Pg.	Ref.no	Part No.	Description	Pg.	Ref.no
11375	STUD (.375 x 9.56)	34	21	12244	SCREW (.375-16 x 1.00)	34	22
123811	RETAINER	56	3	12552	LIFTING EYE	36	27
12657	TAB WASHER	62	6	12675A7	HOUSING ASSEMBLY Flywheel	70	1
13743	SCREW (.312-18 x 1.843) Shoulder	56	14	138981	LEVER	56	13
14070	SCREW (.250-20 x .625)	32	23	14315	SCREW (.375-16 x 4.25)	34	22
14358T	TUBE	64	5	14761	SHAFT AND RETAINER	54	3
14883	SCREW (.375-16 x 1.12)	50	9	15001	SCREW (#8-16 x .875)	24	5
16792A39	PUMP ASSEMBLY	60	1	17343	SCREW (.250-20 x .500)	48	23
1743579	HOSE (96.00 Inches Bulk) (38 IN.)	36	12	17965	SCREW (.437-14 x .70)	4	14
17965	SCREW (.437-14 x .70)	12	9	17965	SCREW (.437-14 x .70)	44	18
18431	PAD	40	3	20084	WASHER (.328 x .562 x .062)	12	6
20533	WASHER	18	3	20533	WASHER	18	19
20533	WASHER	26	4	20533	WASHER	26	16
20572	WASHER (.390 x .750 x .093)	36	23	20572	WASHER (.390 x .750 x .093)	50	10
20572	WASHER (.390 x .750 x .093)	70	8	21071	COTTER PIN	56	16
21908	NUT (.312-18) Cad Plated	12	7	21908	NUT (.312-18) Cad Plated	44	20
22024	NUT (.437-14)	44	24	22248	WASHER (.453 x .875 x .060)	24	3
23161	NUT (.375-24)	4	12	23720	RING Retaining	44	13
26079A2	PLATE KIT Wire Harness Mount	24	4	26168	WASHER	56	20
269011	BUMPER Rubber	28	24	26992	LOCKWASHER (.250) Stainless Steel	4	24
26992	LOCKWASHER (.250) Stainless Steel	18	8	26996	LOCKWASHER (#10) Stainless Steel	4	6
26996	LOCKWASHER (#10) Stainless Steel	4	22	26996	LOCKWASHER (#10) Stainless Steel	18	10
26996	LOCKWASHER (#10) Stainless Steel	18	15	26996	LOCKWASHER (#10) Stainless Steel	24	8
27345	WASHER	44	23	28635	SCREW (.250-20 x .620) Stainless Steel	18	6
28636	SCREW (.250-20 x .750)	18	18	28770	NUT (.312-24) Stainless Steel	34	7
29085	FITTING Elbow (45 Degree)	24	14	29198	SCREW AND LOCKWASHER (.312-18 x .875)	4	13
29198	SCREW AND LOCKWASHER (.312-18 x .875)	18	20	29198	SCREW AND LOCKWASHER (.312-18 x .875)	40	17
29198	SCREW AND LOCKWASHER (.312-18 x .875)	56	19	29439	O-RING	46	22
29553	NUT (.437-14)	4	19	29553	NUT (.437-14)	58	19
29598	NUT (.250-28) Stainless Steel	28	14	31263	WASHER	40	5
31984	SCREW (.312-18 x 1.375)	12	5	32132	SCREW (.375-16 x 1.750)	70	4
32219	NUT (.375-16)	70	6	32509	O-RING (.489 x .070)	28	12
32509	O-RING (.489 x .070)	34	14	32509	O-RING (.489 x .070)	48	6
32561	PLUG Pipe - Allen Head (.250-18)	30	3	32783	RETAINER Three Wire	20	23
32784	RETAINER Four Wire	20	24	328022	PLUG Pipe (.125-27) Brass	34	17
328022	PLUG Pipe (.125-27) Brass	40	19	32803	PLUG Pipe (.375-18) Brass	36	2
32803	PLUG Pipe (.375-18) Brass	40	14	32834	WASHER (.9375 x 1.750 x .172)	70	15
32857	COTTER PIN	56	6	33290	RING Retaining	8	12
33291	COLLAR	8	11	33465	O-RING	44	3
33734	LOCKWASHER (.500)	70	16	33821	CONNECTOR	30	5
34109	PIN	20	16	342271	SEALING COMPOUND (16 Ounce)	48	-
34270	EXPANSION PLUG (1.625)	48	7	344863	GASKET	20	28
34567	WASHER	4	18	34567	WASHER	58	18
35048	LOCKWASHER (.375)	60	10	35048	LOCKWASHER (.375)	70	7
35312	PIN Dowel (1/4 In. Diameter) (1/4 IN. DIA.)	48	17	35312	PIN Dowel (1/4 In. Diameter)	52	17
35339	SCREW (.312-18 x .750)	48	16	35366	SCREW	54	13
35462	WASHER (.2656 x .625 x .0625) Stainless Steel	56	9	35462	WASHER (.2656 x .625 x .0625) Stainless Steel	58	15
3553	CONNECTING ROD	50	12	35765A1	SCREW AND LOCKWASHER (.312-18 x .625)	36	26
35777	WASHER (.5156 x 1.375 x .125) Aluminum	70	13	35787	SCREW (.375-16 x 2.250)	36	7
36183	RETAINER	54	4	36533	WASHER (.328 x .562 x .0312) Copper	28	20
37293T	SENDER ASSEMBLY	24	7	37493	NUT (.375-24)	50	14
37612	SCREW (.375-16 x 1.250)	34	4	37612	SCREW (.375-16 x 1.250)	70	4
37682	FITTING Elbow (45 Degree)	48	3	38525	STUD	26	3
40001134	SCREW (M8 x 25)	12	8	40001188	SCREW (M10 x 20)	60	7
4000175	SCREW (M6 x 20)	26	2	400211	NUT (M5) Stainless Steel	4	4
400212	NUT (M6) Stainless Steel	12	2	400247	LOCKWASHER (M8)	4	5
400247	LOCKWASHER (M8)	44	19	400248	LOCKWASHER (M10)	60	8
40062129	SCREW (M6 x 25)	26	9	41471	LOCKWASHER (.375)	64	10
41471	LOCKWASHER (.375)	68	3	41622	PLUG (.750-14) Pipe	34	2
41622	PLUG (.750-14) Pipe	34	10	41622	PLUG (.750-14) Pipe	34	16
41877	STUD (M10)	60	2	42077	SEAL	58	2

PARTS INDEX

Part No.	Description	Pg.	Ref.no	Part No.	Description	Pg.	Ref.no
42077	SEAL	58	8	42600A3	CONTROLLER ASSEMBLY	18	22
428611	FITTING Pipe - Brass (.750-14)	34	10	43504	PIN Dowel (1/4 IN. DIA.)	50	4
43749	SCREW (.375-16 x 5.750)	34	11	43749	SCREW (.375-16 x 5.750)	34	11
44267T	ELBOW Exhaust	64	3	44348T	TUBE	64	1
46132	WASHER	34	19	46350	WASHER	20	13
46438	NUT (#10-32)	18	24	46820	GASKET	34	3
46982	FITTING (90 Degree)	30	8	47277	SCREW (.312-24 x .750)	52	7
47461	SCREW (.437-14 x 1.00)	24	2	47462	SCREW (.437-14 x 1.250)	40	4
47715	CLIP	36	25	48340	PLUG (.250-18 x .41)	48	2
48358	PLUG (.375)	48	2	4865910	TUBE Exhaust (16.25 Inches)	64	1
49099	FITTING	50	11	49103	WASHER	52	12
49106	BOLT (2.00 Inch)	46	19	49108	STUD	54	2
49110	GASKET Circulating Water Pump Mount	52	3	49112	WASHER	54	16
49134	VALVE Intake	46	7	49734	SENDER	24	6
49845	SCREW (.437-20 x 1.00)	50	7	49955	GASKET Drain	54	9
49955	GASKET Drain	54	18	52185	CLAMP	20	26
52192	BOLT	50	13	5251914	HOSE (53.00 Inches Bulk) Pump to Oil Cooler - (40 IN.)	60	16
530451	GASKET	36	4	530451	GASKET	40	20
53167	SCREW (.312-18 x .880)	56	5	54530	KEY	46	13
54676	RETAINER Two Wire	20	22	56681	WASHER (.203 x .500 x .032)	18	23
56720	WASHER (.330 x .750 x .060) Stainless Steel	56	8	56743	SCREW (.375-24 x 3.125)	4	11
57583	SCREW (#8-32 x .375)	18	16	58126	BOLT (.375-24 x 1.25)	52	10
58640	SCREW (.375-16 x 1.25)	64	9	59362T1	IMPELLER	44	6
59501A1	SHAFT	44	12	62568	SCREW (#10-16 x .375)	18	26
62704	O-RING (.362 x .103)	54	5	62826A6	CABLE ASSEMBLY Ground (13.00 Inches) Black	70	11
63341	TEE NUT	56	12	64013	FITTING (.375 Male To .125 Female)	24	10
64066	STUD (.375-16 x 2.750) Special	70	5	657461	SCREW AND LOCKWASHER (.250-20 x .625)	56	17
68101	SCREW (.375-16 x 1.375)	62	2	68102	LOCKWASHER (.750)	62	8
68219	NUT (#10-32) Stainless Steel	18	11	68219	NUT (#10-32) Stainless Steel	18	25
68219	NUT (#10-32) Stainless Steel	24	9	68402	PIN (.250 x 1.13)	56	15
68513	SCREW (#10-32 x .375) Stainless Steel	18	14	71587A10	RECOVERY KIT Coolant	40	8
71587A11	BOTTLE Plastic	40	9	72058	CAP	40	10
72785	SEAL	44	14	72821	RETAINER	20	21
72961	BEARING Ball	44	11	73379	PLUG (.250-18)	34	24
74191	SCREW (.312-18 x 3.250)	44	4	75983	PLUG (1/2-14)	46	NS
76596	SCREW (.250-20 x 1.250)	18	18	76596	SCREW (.250-20 x 1.250)	70	10
772233	PAD	36	20	774572	HOSE (48.00 Inches Bulk)	40	-
79023A91	FUSE ASSEMBLY 90 Ampere	4	8	79091	FUSE 20 Ampere	24	20
79550A1	BRACKET	62	1	79695	BOOT Insulator - Black	4	7
79989	NUT (#10-24) Stainless Steel	4	23	802551	PLENUM Intake	32	15
802552T	MANIFOLD ASSEMBLY Intake	32	1	802561	STUD	32	16
802565	COVER Rocker	46	1	802566T	CAP	46	2
802567A98	GASKET SET Engine Overhaul	20	-	802567A98	GASKET SET Engine Overhaul	26	-
802567A98	GASKET SET Engine Overhaul	28	-	802567A98	GASKET SET Engine Overhaul	32	-
802567A98	GASKET SET Engine Overhaul	34	-	802567A98	GASKET SET Engine Overhaul	36	-
802567A98	GASKET SET Engine Overhaul	42	-	802567A98	GASKET SET Engine Overhaul	46	-
802567A98	GASKET SET Engine Overhaul	50	-	802567A98	GASKET SET Engine Overhaul	52	-
802567A98	GASKET SET Engine Overhaul	54	-	802567A98	GASKET SET Engine Overhaul	58	-
802622A1	THROTTLE BODY ASSEMBLY	26	10	802625	O-RING	26	NS
802629	FUEL RAIL ASSEMBLY	32	4	802630T	REGULATOR Fuel Pressure	32	5
802631	VALVE AND CAP KIT	32	6	802632T	INJECTOR Fuel	32	7
802633	O-RING KIT	32	8	802634	CLIP KIT Injector	32	9
802635	HARNESS ASSEMBLY Fuel Injector	32	10	802636	SEAL KIT Pressure Regulator	32	N.S.
802637	CLIP	32	11	802655	SCREW	32	3
802656	SCREW	32	18	802657	GASKET SET	32	17
802658	STUD	32	24	802659	SCREW	32	22
802743	CYLINDER HEAD ASSEMBLY	46	17	802748	VALVE PCV	46	24
802749	TUBE PVC	46	25	802750	ELBOW Breather	46	26
802751	NUT	32	33	802885Q	FILTER Oil	58	5
802893Q	FILTER Fuel/Water Separating - Quicksilver Brand	30	4	803184	GASKET SET	32	2

PARTS INDEX

Part No.	Description	Pg.	Ref.no	Part No.	Description	Pg.	Ref.no
803644	GASKET	40	NS	805059	FITTING	24	15
805062	O-RING (.530 x .082)	28	7	805063	O-RING (.301 x .070)	28	5
805063	O-RING (.301 x .070)	28	27	805138	HOSE	40	28
805189	SCREW (.375-16 x .750)	20	19	805218T	SENSOR	24	13
805222A1	DISTRIBUTOR ASSEMBLY	20	1	805223T	SENSOR	32	27
8053281	FITTING Elbow (90 Degree - .125)	24	11	8053432	SCREW (.375-16 x 4.33)	4	2
805357	STUD (.375-16 x 2.130)	62	3	805364A1	DECAL SET Color Coding (COLOR CODE)	2	-
805390	SCREW (.312-18 x 2.250)	32	32	805406	FILTER	28	16
805412	SEAL	32	26	805459	STUD Mercathode Mounting	18	7
805505A4	HOSE Oil Drain	54	20	805524	CLIP	54	22
805526	STUD (.250-28 x 1.540)	26	15	805544T	SENSOR ASSEMBLY	24	12
805546A2	BRACKET Oil Cooler	36	19	805559	SCREW (.375-16 x .875) Stainless Steel	20	27
805562	NUT (#10-24)	18	4	805592A1	CONNECTOR ASSEMBLY	24	21
805605A1	SWITCH ASSEMBLY	24	16	805632	CONNECTOR	58	11
805703	FUSE 10 Ampere	18	21	805704	FUSE 15 Ampere	18	21
805979	NUT (.375-24)	34	20	8059871	HOSE Water Pump To Intake Manifold	32	12
806121	FITTING	58	9	80617379	HOSE (52.00 Inches Bulk) (9 IN.)	28	21
80617379	HOSE (52.00 Inches Bulk) (One- 21 in.)(Two- 4 in.)	28	30	806193A33	MONITOR ASSEMBLY Oil	66	1
80622142	HOSE ASSEMBLY (84.00 Inches Bulk) Return	60	14	806231	COUPLER Power Steering Metric (Shipping)	60	NS
806232	O-RING (.239 x .064)	60	13	806242	CONNECTOR	32	14
806328	FITTING	58	3	806329T	ADAPTER Oil Filter	58	1
806591	STUD (7/16-14)	4	15	806591	STUD (7/16-14) Alternator & Seawater Pump Bracket	12	4
806591	STUD (7/16-14)	44	17	806608A1	PLUG KIT (.500-13) Royal Blue	28	11
806608A1	PLUG KIT (.500-13) Royal Blue	34	13	806608A1	PLUG KIT (.500-13) Royal Blue	48	5
806689	FITTING Tee	28	31	806871	GASKET	36	3
806922	SLEEVE	36	6	806926A1	ELBOW KIT Drain	34	12
806949	NUT (M8-1.5)	4	3	806950	BREAKER Circuit - 50 Ampere	18	13
806964A4	STARTER MOTOR ASSEMBLY	4	1	806964A4	STARTER MOTOR ASSEMBLY	8	1
807057T	RELAY FUEL PUMP	18	27	807057T	RELAY IGNITION SYSTEM	18	27
807075A1	COVER	40	16	807078A6	MANIFOLD ASSEMBLY Exhaust	34	1
807130A4	PIPE	64	6	8071341	SEAL	40	12
807141	HOSE	40	23	807151A14	BODY/IMPELLER KIT	44	2
807151A9	PUMP ASSEMBLY Sea Water	44	1	807166A1	SHUTTER ASSEMBLY Water	64	7
807167	GROMMET	64	8	807211	VALVE Relief	52	1
807252T2	THERMOSTAT 71DegreeC (160 Degree F)	36	5	807260A2	COVER KIT Flywheel	70	9
807371T1	COOLER Oil	58	12	807400A1	HEAT EXCHANGER	40	1
807406	HOSE	40	26	8074072	HOSE	36	8
807409	HOSE COOLER TO ADAPTOR	58	13	807445T	CLAMP	58	17
807653T	ALTERNATOR ASSEMBLY	4	20	807653T	ALTERNATOR ASSEMBLY	10	-
807672	GASKET TBU Relocator Tube	32	19	807685T	INSULATOR	28	2
807691	HOSE	40	25	807692	HOSE Thermostat By Pass	40	21
807729T	PULLEY	52	5	8077301	PULLEY	52	9
807757T	PULLEY ASSEMBLY Idler - Black	4	30	807783A1	FITTING ASSEMBLY 90 Degree	28	4
807806T	INSULATOR Cap	30	10	807807T	INSULATOR Base	30	11
807918T	BRACKET Fuel Filter Base	30	12	807930	INSULATOR	28	25
807942	FITTING	26	8	807951T	BRACKET Fuel Cooler	28	1
807953	LINE ASSEMBLY Fuel	30	15	807954T	HOSE ASSEMBLY Fuel Regulator to Filter	30	16
807956T	INSULATOR Back	30	9	807958	FITTING (1/4-18)	30	7
807962A3	BRACKET ASSEMBLY Shift	56	1	807963A1	ELBOW ASSEMBLY Exhaust	64	3
807979T	BRACKET	28	13	807988A2	ELBOW ASSEMBLY Exhaust	34	9
807989	HOSE	36	9	807989	HOSE	40	32
8079921	COVER Hose Clamp End	60	NS	8079923	COVER Hose Clamp End	36	NS
8079923	COVER Hose Clamp End	40	NS	808001A1	FITTING ASSEMBLY	28	6
808002A1	FITTING KIT	28	19	808003	CONNECTOR	30	6
808005	SCREW (.250-20 x .500)	28	23	808023T	STRAP Bracket	66	6
808043A1	BRACKET	58	14	808044	HOSE Molded	36	11
808044	HOSE Molded	40	34	808045	HOSE Fuel Cooler to Transmission Oil Cooler	36	10
808045	HOSE Fuel Cooler to Transmission Oil Cooler	40	33	808483T3	CAP Distributor	20	2
8084841	ROTOR	20	4	808485T	SHAFT ASSEMBLY Main	20	5

PARTS INDEX

Part No.	Description	Pg.	Ref.no	Part No.	Description	Pg.	Ref.no
808487	RETAINER	20	6	808488	PIN	20	12
808489	WASHER	20	14	808490	GEAR	20	15
808491	SCREW	20	3	808624	CONNECTOR	66	3
808625	CAP Drive Lube Monitor Oil Bottle	66	2	808707	SCREW (.312-18 x .625)	48	21
808707	SCREW (.312-18 x .625)	54	10	808740T	PISTON ASSEMBLY (STANDARD)	50	1
809133T	STATOR	10	12	809135	SPACER	10	4
809136	NUT	10	1	809137	LOCKWASHER	10	2
809138	BOLT	10	23	809139	FAN ASSEMBLY	10	5
809140	SPACER	10	6	809141	SCREW	10	27
809142	TERMINAL	10	28	809143	NUT	10	17
809144	COVER	10	30	809145	SET SCREW	10	31
809146	MOLD	10	16	809147	LEAD WIRE (RED)	10	33
809148	LEAD WIRE (BLACK)	10	32	809149	CAP	10	29
809150	ROTOR	10	11	809151	BRACKET ASSEMBLY	10	7
809152	RETAINER	10	10	809153	BEARING	10	9
809154	SCREW	10	8	809155	BRACKET ASSEMBLY	10	13
809156	O-RING	10	21	809157	NUT	10	20
809158	MOLD	10	19	809159	BOLT	10	22
809160	SET SCREW	10	15	809161	CONDENSER	10	18
809162	RECTIFIER	10	14	809165	SPRING	10	26
809459	HOUSING	8	14	809463A1	SOLENOID KIT	8	17
809825	RTV SILICONE (3 Ounce Tube) Metallic Blue	48	-	809911	SCREW Oil Drain (M12 x 1.75)	54	8
80999498	PARTS MANUAL 7.4L MPI Bravo L29 (GEN VI) Service	2	-	811528	O-RING (.500 Inch)	48	11
811545	SEAL Valve	46	11	811551	CRANKSHAFT	50	16
811553	GROMMET	46	23	811554	SEAL	50	5
811558	KEY	50	17	811559	SCREW (.500-20 x 2.500)	52	11
811562	FLYWHEEL	50	6	811566	GASKET	54	7
811574	SCREW (.375-16 x 1.750)	52	4	811579	SPROCKET	48	15
811588	GASKET Rocker Cover	46	3	811589	BOLT (1/4-20 x 0.875) (1/4-20 X 5/8 IN.)	46	4
811593	BOLT Rocker Arm	46	16	811637T	MODULE	20	9
811638	SCREW	20	10	811639T	COIL	20	8
811641	POLE PIECE	20	11	811682	BAFFLE	54	15
811683	STUD (.375-16/500-12 x 5.500)	54	14	811883T	REGULATOR ASSEMBLY	10	24
811884	BRUSH	10	25	814263A1	BASE ASSEMBLY	62	4
814476	BUSHING	8	15	814506	VALVE Exhaust	46	6
814507	VALVE Exhaust	46	6	814806	WASHER (.344 x .688 x .065) Stainless Steel	44	5
814806	WASHER (.344 x .688 x .065) Stainless Steel	44	22	814875	COVER Heat Exchanger End	40	NS
814877	BOLT	40	NS	814878	O-RING Special	40	NS
8148791	CAP	40	NS	815425T	SENDER ASSEMBLY	24	7
815504105	CLAMP Worm Gear (11-18 mm)	60	17	815504212	CLAMP Worm Gear	32	13
815504212	CLAMP Worm Gear	40	31	815504216	CLAMP Worm Gear (1.56 Diameter)	36	18
815504216	CLAMP Worm Gear (1.56 Diameter)	40	24	815504222	CLAMP Worm Gear (1.98 Diameter)	36	13
815504222	CLAMP Worm Gear (1.98 Diameter)	40	27	815504232	CLAMP Worm Gear (2.50 Diameter)	36	15
815504232	CLAMP Worm Gear (2.50 Diameter)	36	21	815504232	CLAMP Worm Gear (2.50 Diameter)	40	29
815504256	CLAMP Worm Gear	26	19	815504272	CLAMP Worm Gear	64	2
815504272	CLAMP Worm Gear	64	4	815504388	CLAMP Worm Gear	40	7
816133	FITTING	30	2	816331	NUT (.750-16)	62	5
816336	SPARK PLUG	20	29	816492A6	ALARM KIT	24	17
816585	SCREW (.312-18 x .875)	36	22	816608A68	CABLE KIT Ignition (SPARK PLUGS & COIL)	20	25
817376T	HARNES ASSEMBLY Distributor Module to Ignition Coil	20	17	817378	COIL	20	18
818380T	BUSHING	4	29	8183812	PINION STUD (.437-20) Stainless Steel	4	28
818400A1	ADAPTER	58	7	818473	BEARING SET Main - Standard	50	3
818474	BEARING SET Main - .001 Undersize	50	3	818475	BEARING SET Main - .002 Undersize	50	3
818476	BEARING SET Main - .010 Undersize	50	3	818477	BEARING SET Main - .020 Undersize	50	3
818631A11	TUBE ASSEMBLY Dipstick	54	11	818631A6	TUBE ASSEMBLY Dipstick	54	11
8219471	SEAL	52	14	82670811	NUT (.312-24)	30	13
8267088	NUT (.250-20)	26	14	8267088	NUT (.250-20)	58	16
8267119	NUT (.250-28)	4	9	8267119	NUT (.250-28)	56	10
8267139	NUT (.250-28)	26	5	8267139	NUT (.250-28)	26	17

PARTS INDEX

Part No.	Description	Pg.	Ref.no	Part No.	Description	Pg.	Ref.no
827643	PUMP ASSEMBLY Oil	54	1	827651T	RING Piston (STANDARD)	50	2
830796A1	CONNECTOR ASSEMBLY	24	21	834990T	PULLEY	10	3
843108	WASHER (.330 x .560 x .060) Stainless Steel	34	23	843504	SCREW (.380-16 x 1.500) Stainless Steel	34	11
845610T	COVER ASSEMBLY Cylinder Front	52	13	845668T	PAN ASSEMBLY Oil	54	6
845705	SCREW (.438-14 x 4.060)	46	20	845707	GUIDE	46	8
845754	GUIDE	48	19	845755	RETAINER	48	20
845756T	SHEILD Oil Intake	48	NS	845758	PIN Dowel	48	8
845796T	CHAIN	48	13	845941	RETAINER	48	22
850091	NUT (.375-16)	54	17	850447	RING Piston (.030 O.S.)	50	2
850449	PISTON ASSEMBLY (.030 O.S.)	50	1	850452	SPROCKET	48	14
850453T	CAMSHAFT	48	12	8504541	PUMP ASSEMBLY Circulating Water	52	2
850455	SCREW (1/4-20 x 0.5) (1/4-20 X 1/2 IN.)	52	16	850456	GASKET Front Cover Mount	52	15
850461	BALANCER	52	8	850463	ROTATOR	46	10
850464	CAP	46	9	850465T	SPRING Valve	46	12
850467T	LIFTER	48	18	850470	GASKET Cylinder Head	46	18
850471	ARM Rocker	46	14	850472	BALL Rocker Arm	46	15
852003	PUSH ROD	46	5	852004	PUSH ROD	46	5
852368	SCREW (#10-24 x .750)	28	17	853677	VALVE Intake Air Control	26	NS
853678T	SENSOR TPS	26	NS	853680	SCREW KIT	26	NS
85684	BEARING SET	48	10	85691	BEARING SET Connecting Rod - (.010 Undersize)	50	15
85726	BEARING SET Connecting Rod - Standard	50	15	85727	BEARING SET Connecting Rod - (.001 Undersize)	50	15
85728	BEARING SET Connecting Rod - (.002 Undersize)	50	15	85729	BEARING SET Connecting Rod - (.020 Undersize)	50	15
859126	NUT (.750-16)	62	7	859135	NUT (.437-20) Brass/Nickel Plated	4	31
860065A1	BRACKET KIT Oil Bottle	66	5	860069	NUT (.375-16)	28	29
860069	NUT (.375-16)	30	14	860088	BUSHING	48	4
860092A1	BRACKET ASSEMBLY Heat Exchanger	40	2	860165	STUD	34	5
860168003	MANUAL	2	-	860203T	SHIELD Heat	34	6
860222A1	RESONATOR	68	4	860273	CONNECTOR	28	22
860325A1	TUBE ASSEMBLY Throttle Body Relocator	26	6	861006A1	HOUSING ASSEMBLY Thermostat	36	1
861041	PLUG Fuel Rail	32	20	861045	BRACKET Idler	4	26
861046	BRACKET Power Assisted Steering/Lifting Eye	4	16	861047	BRACKET	4	10
861048	BRACE	60	6	861049	BELT Serpentine	52	6
861062	FLAME ARRESTOR	26	18	861087T	BRACKET	44	16
861092A1	HARNESS ASSEMBLY EFI Engine	16	-	861093A2	HARNESS ASSEMBLY Engine	14	-
861096T	BRACKET Electrical Components	18	1	861099	BRACKET	56	18
861120	LINKAGE Throttle	26	12	861121	BRACKET Throttle Cable	26	1
861122	COVER Port	32	29	861123A54	COVER ASSEMBLY Starboard	32	30
861124	TUBE Oil Fill	46	21	861126A1	REGULATOR KIT (43 PSI)	28	15
861156A1	PUMP ASSEMBLY (ELECTRIC)	28	3	861158T2	HARNESS ASSEMBLY Engine	16	-
861171	HOSE BRACKET TO ADAPTOR	58	20	861173	HOSE	58	6
861174	STUD (7/16-14 X 1 IN.)	4	17	861176T	BRACKET/LIFTING EYE (REAR)	24	1
861183	HOSE	36	14	861188A1	HOUSING ASSEMBLY Thermostat	40	11
861249A1	SENSOR ASSEMBLY Manifold Air Pressure	32	25	861267A1	COOLER KIT Fuel	28	8
861303	SCREW (.250-28) Special	28	9	861306	HOSE	40	22
861314A3	DECAL SET	32	31	86131720	HOSE	60	11
861318	HOSE	36	17	8613261	SERVICE MANUAL	2	-
861396	O-RING	28	28	861397	O-RING	32	21
861414	RING Retaining	28	10	861465	SCREW (1/4-20 X 5/8 IN.)	26	13
8615181	GASKET Throttle Body	26	11	861523A9	COUPLER ASSEMBLY Engine - Short Aluminum Hub	50	8
861530	BRACE	44	21	861535T	MODULE ASSEMBLY Spark Control	18	2
861554T	COOLER	36	24	861563A1	LINE ASSEMBLY Fuel	28	26
861578	PULLEY Reference MCM Parts Bulletin 98-1	60	4	861579	PULLEY	44	15
861715T1	BRACKET Electrical	18	1	861720T2	ECM Engine Control Module	18	17
861736R1	ECM Engine Control Module	18	17	861776A2	PLATE KIT	68	1
861942T9	DIPSTICK Oil Level	54	12	86197763	HOSE (33.00 Inches Bulk) (5 1/4 IN.)	26	7
862031T	ALTERNATOR ASSEMBLY (65 Amp)	12	1	862050T	BRACKET Alternator	12	3
862078T1	HARNESS ASSEMBLY Engine Wiring	12	NS	862079A1	HARNESS ASSEMBLY Engine	14	-
862777	FLANGE Drain	54	23	862811	FITTING Quick Connect (Female)	54	19
862827	TETHER ASSEMBLY	54	21	863332	NUT (.500-20) Aluminum	70	17
863726	GASKET	34	8	863726	GASKET	34	18

PARTS INDEX

Part No.	Description	Pg.	Ref.no	Part No.	Description	Pg.	Ref.no
863874	SLEEVE Water	40	13	8638766	BELT Serpentine	52	6
883281R5	LONG BLOCK ASSEMBLY	48	-	88791T	MOUNT Rubber	70	2
89302	WASHER (.203 x .406 x .040)	28	18	89749	HOSE	36	16
89876A3	BASE ASSEMBLY Fuel Filter/Water Separator	30	1	89879	O-RING (.301 x .064)	60	12
89879	O-RING (.301 x .064)	60	15	8M2016106	SCREW (.312 x 1.25)	36	22
90096A1	STUD ASSEMBLY (#10-32 x Special)	20	20	90517	NUT (M10)	60	5
905201	SPACER (.750 x .250)	40	6	90562	SEAL (1.254 x .312)	44	10
91892	GASKET	58	10	91903	SCREW (.437-14 x 1.750)	40	4
92913	SCREW (.437-14 x .750)	4	27	93320A5	RISER KIT Exhaust (3 Inches)	34	15
93322A7	RISER KIT Exhaust (6 Inches)	34	15	94140	EXPANSION PLUG (REAR CAMSHAFT HOLE)	48	9
94288	QUAD RING	44	7	94330	NUT (.250-20) Brass	4	25
94330	NUT (.250-20) Brass	18	9	94576	WEAR PLATE (INNER)	44	8
94913A5	HOUSING ASSEMBLY Pump	44	9	95084A10	CABLE ASSEMBLY (5.00 Inches) Red (FEMALE)	24	19
95084A9	CABLE ASSEMBLY (91.00 Inches) Red/Purple Strip (MALE)	24	18	95805	CAP	60	3
96112	STUD (.250-28 x 2.00) Throttle Cable Anchor	56	11	96158T	SOLENOID	18	5
96457	WASHER Phenolic (.27 x .81 x .062)	4	21	97257A1	SENDER ASSEMBLY Water Temperature	24	6
97861	INSULATOR	18	12	97934	SCREW (.500-20 x 5.370) Special	70	12
98257	SCREW (.312-18 x .500)	58	4	98261	SCREW (.375-16 x .750)	60	9
98261	SCREW (.375-16 x .750)	66	4	98794	SCREW (.375-16 x 1.00)	40	18
98794	SCREW (.375-16 x 1.00)	68	2	987981	STUD (.250-20/.250-28 x 2.120)	56	2
98828	SPACER	56	4	98880	SPRING	56	7
991551	THERMOSTAT	40	15	99299	SPACER (.520 x .870 x .630)	70	14
99322	SPACER	70	3	99520	HOSE	40	30
NSS	NOT SOLD SEPARATE ARMATURE	8	2	NSS	NOT SOLD SEPARATE BRUSH HOLDER AND SPRING	8	3
NSS	NOT SOLD SEPARATE FRAME	8	4	NSS	NOT SOLD SEPARATE SCREW	8	5
NSS	NOT SOLD SEPARATE BOLT, THRU	8	6	NSS	NOT SOLD SEPARATE SHAFT AND GEAR	8	7
NSS	NOT SOLD SEPARATE GASKET	8	8	NSS	NOT SOLD SEPARATE GEAR	8	9
NSS	NOT SOLD SEPARATE DRIVE	8	10	NSS	NOT SOLD SEPARATE COLLAR, THRUST	8	13
NSS	NOT SOLD SEPARATE GROMMET	8	16	NSS	NOT SOLD SEPARATE LEVER	8	18
NSS	NOT SOLD SEPARATE SCREW	8	19	NSS	NOT SOLD SEPARATE SHIELD	20	7
NSS	NOT SOLD SEPARATE FITTING, BARBED (TO FUEL PRESSURE REGULATORS)	32	28	NSS	NOT SOLD SEPARATE CYLINDER BLOCK	48	1