

Parts Manual

Cat.# 90-854190

Revised 09-12-2020

TABLE OF CONTENTS

Cat.# 90-854190

| | |
|---|----|
| MISCELLANEOUS INFORMATION..... | 1 |
| ENGINE/CYLINDER BLOCK..... | 3 |
| ROCKER COVER..... | 7 |
| Rocker Arm and Lifters..... | 11 |
| CYLINDER HEAD..... | 13 |
| CAMSHAFT..... | 19 |
| CONNECTING ROD AND PISTON..... | 21 |
| CRANKSHAFT..... | 23 |
| FRONT COVER..... | 27 |
| AIR COOLER..... | 29 |
| FLYWHEEL HOUSING (STERN DRIVE)..... | 31 |
| FLYWHEEL HOUSING (INBOARD)..... | 35 |
| OIL PAN..... | 39 |
| EXHAUST MANIFOLD..... | 41 |
| TURBO CHARGER/EXHAUST ELBOW..... | 45 |
| INJECTION PUMP, NOZZLE AND LINES..... | 49 |
| OIL FILTER AND OIL HOSES..... | 53 |
| FUEL FILTER..... | 55 |
| HEAT EXCHANGER AND HOSES..... | 57 |
| THERMOSTAT ASSEMBLY AND HOSES..... | 61 |
| SEAWATER FILTER..... | 63 |
| Seawater Pump (2.8L)..... | 65 |
| Seawater Pump (4.2L)..... | 67 |
| MANIFOLD STRIP..... | 69 |
| Starter Motor..... | 73 |
| WATER PUMP..... | 75 |
| Alternator And Mounting Hardware..... | 77 |
| Alternator (Mando)..... | 79 |
| Mercathode (Sterndrive)..... | 81 |
| ENGINE HARNESS..... | 83 |
| EDI Harness..... | 85 |
| Electrical Box And Components..... | 87 |
| CONTROL UNIT AND BRACKET..... | 89 |
| Power Steering Components (Sterndrive)..... | 91 |
| Shift Bracket..... | 93 |
| Engine Cover..... | 95 |
| Coolant Recovery..... | 97 |
| PRIMARY STATION INSTRUMENTATION..... | 99 |

TABLE OF CONTENTS

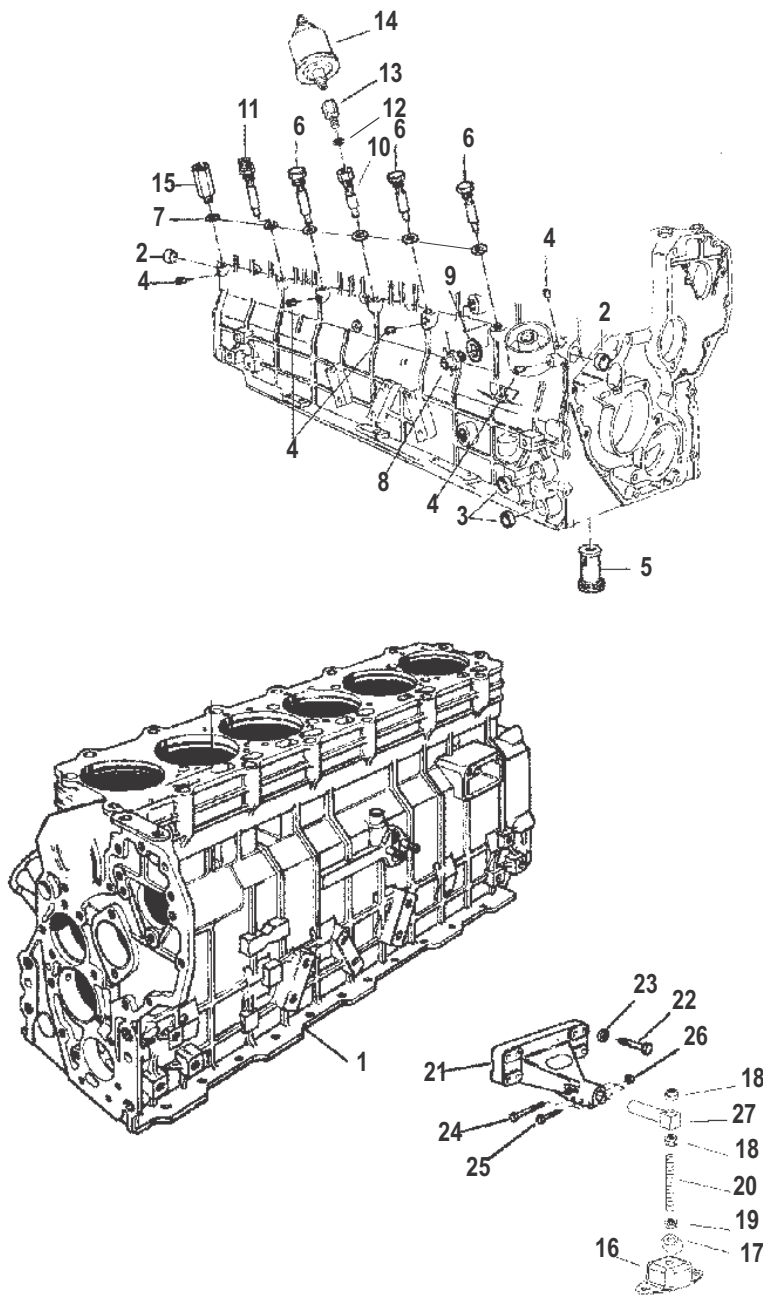
| | |
|---|-----|
| SECONDARY STATION INSTRUMENTATION..... | 101 |
| Oil Reservoir Components (STERNDRIVE)..... | 103 |
| TRANSMISSION AND RELATED PARTS (INBOARD)..... | 105 |
| TRANSMISSION (DOWN ANGLE)(INBOARD)..... | 109 |
| TRANSMISSION (DOWN ANGLE)(INBOARD)..... | 113 |
| TRANSMISSION (V-DRIVE)(INBOARD)..... | 117 |
| TRANSMISSION (V-DRIVE)(INBOARD)..... | 121 |
| Transmission Mounting (Inboard)..... | 127 |
| AIR CLEANER..... | 129 |
| Gimbal Housing Cover (Sterndrive)..... | 131 |

MISCELLANEOUS INFORMATION

MISCELLANEOUS INFORMATION

| Ref # | Part Class | Part Number | Description | Comments | Qty | Note |
|--------------|-------------------|--------------------|---|-----------------|------------|-------------|
| - | 0090 | 854190 | PARTS MANUAL D2.8L/165 D-TRONIC D4.2L/250 D-TRONIC DIESEL | | 1 | |
| - | 0090 | 860166970 | OWNERS GUIDE (STERN DRIVE) | | 1 | |
| - | 0090 | 860167970 | OWNERS GUIDE (INBOARD) | | 1 | |
| - | 0000 | 879829 | SHORTBLOCK ASSEMBLY | (2.8L) | 1 | |
| - | 0000 | 879832 | SHORTBLOCK ASSEMBLY | (4.2L) | 1 | |

ENGINE/CYLINDER BLOCK

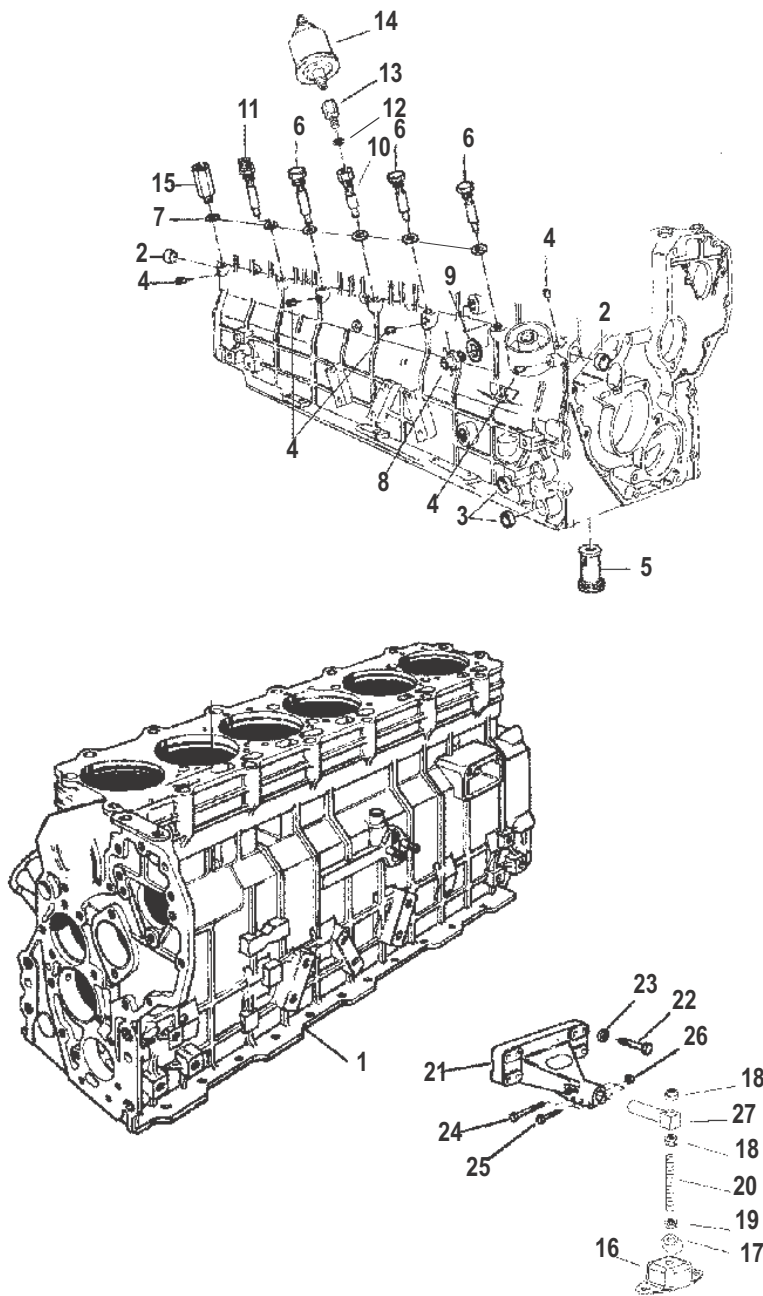


12769

ENGINE/CYLINDER BLOCK

| Ref # | Part Class | Part Number | Description | Comments | Qty | Note |
|-------|------------|-------------|--|-----------------------------------|-----|------|
| 1 | 0882 | 855453 | CYLINDER BLOCK | (2.8L) | 1 | |
| 1 | 0882 | 854040 | CYLINDER BLOCK | (4.2L) | 1 | |
| 2 | 0019 | 801331602 | PLUG Expansion | | 2 | |
| 3 | 0019 | 809937241 | PLUG | | 2 | |
| 4 | 0010 | 811431 | SET SCREW (M6 x 3) | | 5 | |
| 5 | 0000 | 854041 | VALVE Oil Pressure | | 1 | |
| 6 | 0010 | 801331650 | SCREW Locating | | 1/3 | |
| 7 | 0012 | 809963201 | WASHER | | 4/6 | [1] |
| 8 | 0022 | 801331684 | FITTING Drain | | 1 | |
| 9 | 0022 | 811428 | SLEEVE | | 1 | |
| 10 | 0022 | 801763388 | CONNECTOR | | 1 | |
| 11 | 0010 | 801331651 | SCREW | | 1 | |
| 12 | 0012 | 809963072 | WASHER | | 1 | [1] |
| 13 | 0022 | 806443 | ADAPTER | | 1 | |
| 14 | 0000 | 805267T | SENDER Oil Pressure | (SINGLE STATION) | 1 | |
| 14 | 0000 | 805268 | SENDER | (DUAL STATION) | 1 | |
| 15 | 0022 | 855463 | ADAPTER | | 1 | |
| 16 | 0000 | 855454 | ENGINE MOUNT | (2.8L) [0L343100] & Below | 2 | |
| 16 | 0000 | 877391 | MOUNT | (2.8L) [0L343101] & Up | 2 | |
| 16 | 0000 | 855381 | MOUNT Engine | (4.2L) | 2 | |
| 17 | 0012 | 809931094 | WASHER | | 2 | |
| 18 | 0011 | 809922457 | NUT (M16) | | 4 | |
| 19 | 0011 | 809921102 | NUT (M16) | | 2 | |
| 20 | 0016 | 801763908 | STUD (M16 x 125) | | 2 | |
| 21 | 0000 | 801761382 | BRACKET | | 2 | |
| 22 | 0010 | 854044 | SCREW (M10 x 45) | | 6 | |
| 22 | 0010 | 40001209 | SCREW (M10 x 60) | | 2 | |
| 23 | 0013 | 809931076 | LOCKWASHER | | 2 | |
| 24 | 0010 | 809912516 | SCREW (M8 x 50) | | 4 | |
| 25 | 0010 | 801761617 | SCREW | | 2 | |
| 26 | 0011 | 815088 | NUT (M8) | | 4 | |
| 27 | 0000 | 855382 | PIN | | 2 | |
| - | 0027 | 855451 | GASKET SET Overhaul | (2.8L) [0K144109] THRU [0L098058] | 1 | |
| - | 0027 | 879684 | GASKET SET Overhaul | (2.8L) [0L098059] & Up | 1 | |
| - | 0027 | 855448 | GASKET SET Overhaul | (4.2L) [0K144114] THRU [0L098231] | 1 | |
| - | 0027 | 881742 | GASKET SET Overhaul | (4.2L) [0L098232] & Up | 1 | |
| - | 0000 | 879829 | SHORTBLOCK ASSEMBLY INCLUDES INTERNAL PARTS AND CYLINDER HEADS | (2.8L) | 1 | |
| - | 0000 | 879832 | SHORTBLOCK ASSEMBLY INCLUDES INTERNAL PARTS | (4.2L) | 1 | |

ENGINE/CYLINDER BLOCK



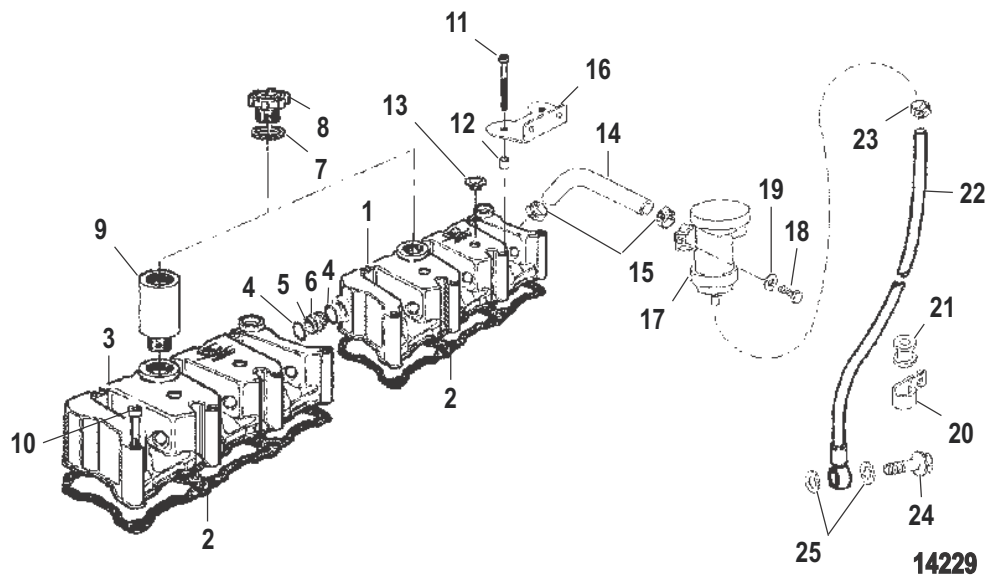
12769

ENGINE/CYLINDER BLOCK

PART NOTES:

- [1] - COMPONENT OF OVERHAUL GASKET SET 855451
- COMPONENT OF OVERHAUL GASKET SET 855488
- COMPONENT OF OVERHAUL GASKET SET 879684
- COMPONENT OF OVERHAUL GASKET SET 881742

ROCKER COVER

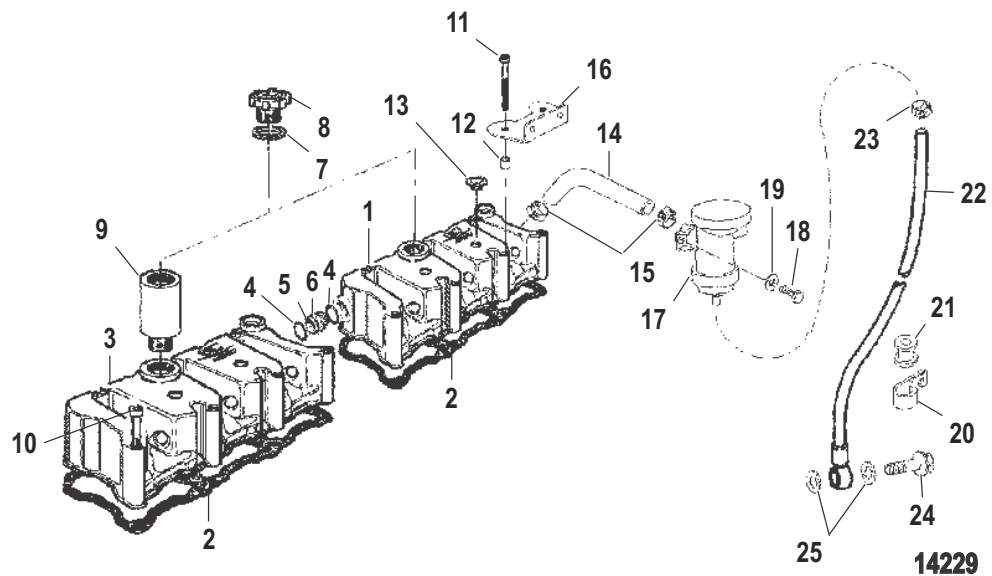


ROCKER COVER

| Ref # | Part Class | Part Number | Description | Comments | Qty | Note |
|-------|------------|-------------|--------------------------|-----------------------------------|------|------|
| 1 | 0000 | 855455 | COVER Rocker | (2.8L) [0L099622] & Below | 1 | |
| 1 | 0000 | 883998 | COVER | (2.8L) [0L099623] & Up | 1 | |
| 1 | 0000 | 854045 | COVER (REAR) | (4.2L) | 1 | |
| 2 | 0027 | 855456 | GASKET Rocker Cover | (2.8L) [0L099622] & Below | 1 | [1] |
| 2 | 0027 | 883999 | GASKET | (2.8L) [0L099623] & Up | 1 | |
| 2 | 0027 | 854046 | GASKET | (4.2L) | 2 | [2] |
| 3 | 0000 | 854049 | COVER (FRONT) | (4.2L) | 1 | |
| 4 | 0025 | 854194 | O-RING | (4.2L) | 2 | [2] |
| 5 | 0022 | 854195 | CONNECTOR | (4.2L) | 1 | |
| 6 | 0053 | 854196 | RING | (4.2L) | 1 | |
| 7 | 0027 | 854047 | GASKET Oil Fill Cap | (2.8L) | 1 | [1] |
| 7 | 0027 | 854047 | GASKET Oil Fill Cap | (4.2L) | 2 | [2] |
| 8 | 0036 | 854048 | CAP | | 1/2 | |
| 9 | 0000 | 855457 | TUBE | (2.8L) | 1 | |
| 9 | 0000 | 854053 | TUBE | (4.2L) | 1 | |
| 10 | 0010 | 811436 | SCREW (M6 x 80) | | 7/12 | |
| 11 | 0010 | 854055 | SCREW (M6 x 88) | | 2 | |
| 12 | 0023 | 854056 | SPACER | | 2 | |
| 13 | 0019 | 854051 | PLUG | | 3/4 | |
| 14 | 0032 | 854054 | HOSE | | 1 | |
| 15 | 0054 | 854189 | CLAMP Hose | | 2 | |
| 16 | 0000 | 854023 | BRACKET | | 1 | |
| 17 | 0000 | 854050 | SEPARATOR Oil | | 1 | |
| 18 | 0010 | 854113 | SCREW (M6 x 14) | | 1 | |
| 19 | 0012 | 4002217 | WASHER | | 1 | |
| 20 | 0054 | 811467 | CLIP | | 1 | |
| 21 | 0025 | 854052 | SLEEVE | | 1 | |
| 22 | 0032 | 807322 | HOSE | | 1 | |
| 23 | 0054 | 809952104 | CLAMP | | 1 | |
| 24 | 0010 | 811410 | SCREW (M14) | | 1 | |
| 25 | 0012 | 809963201 | WASHER | | 2 | [3] |
| - | 0027 | 855451 | GASKET SET Overhaul | (2.8L) [0K144109] THRU [0L098058] | 1 | |
| - | 0027 | 879684 | GASKET SET Overhaul | (2.8L) [0L098059] & Up | 1 | |
| - | 0027 | 855448 | GASKET SET Overhaul | (4.2L) [0K144114] THRU [0L098031] | 1 | |
| - | 0027 | 881742 | GASKET SET Overhaul | (4.2L) [0L098032] & Up | 1 | |
| - | 0027 | 855450 | GASKET SET Cylinder Head | (2.8L) [0K144109] THRU [0L098058] | 1 | |
| - | 0027 | 883962 | GASKET SET Cylinder Head | (2.8L) [0L098059] & Up | 1 | |
| - | 0027 | 855449 | GASKET SET Cylinder Head | (4.2L) [0K144114] THRU [0L098031] | 1 | |
| - | 0027 | 881743 | GASKET SET Cylinder Head | (4.2L) [0L098032] & Up | 1 | |

ROCKER COVER

ROCKER COVER

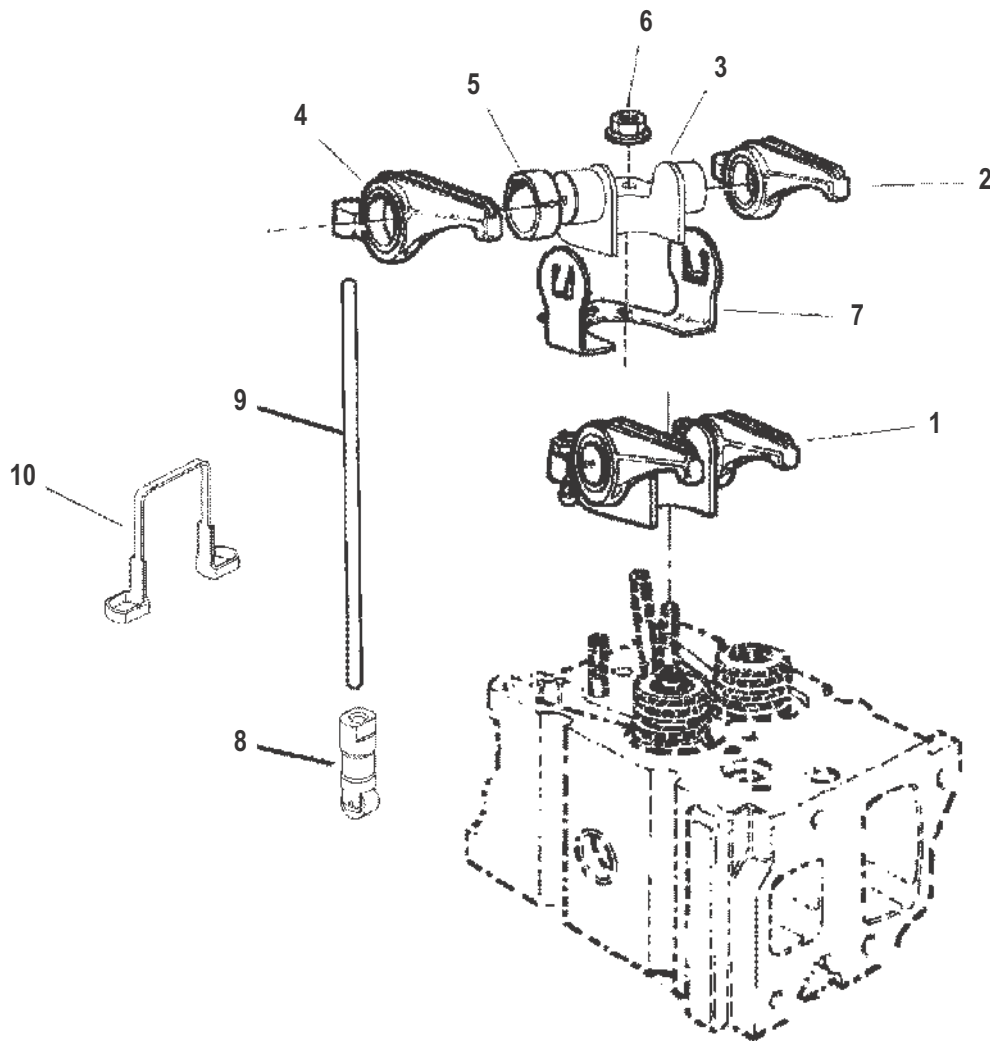


ROCKER COVER

PART NOTES:

- [1] - COMPONENT OF OVERHAUL GASKET SET 855451
COMPONENT OF OVERHAUL GASKET SET 879684
COMPONENT OF CYLINDER HEAD GASKET SET855450
COMPONENT OF CYLINDER HEAD GASKET SET883962
- [2] - COMPONENT OF OVERHAUL GASKET SET 855488
COMPONENT OF OVERHAUL GASKET SET 881742
COMPONENT OF CYLINDER HEAD GASKET SET855449
COMPONENT OF CYLINDER HEAD GASKET SET881743
- [3] - COMPONENT OF OVERHAUL GASKET SET 855451
COMPONENT OF OVERHAUL GASKET SET 855488
COMPONENT OF OVERHAUL GASKET SET 879684
COMPONENT OF OVERHAUL GASKET SET 881742

Rocker Arm and Lifters

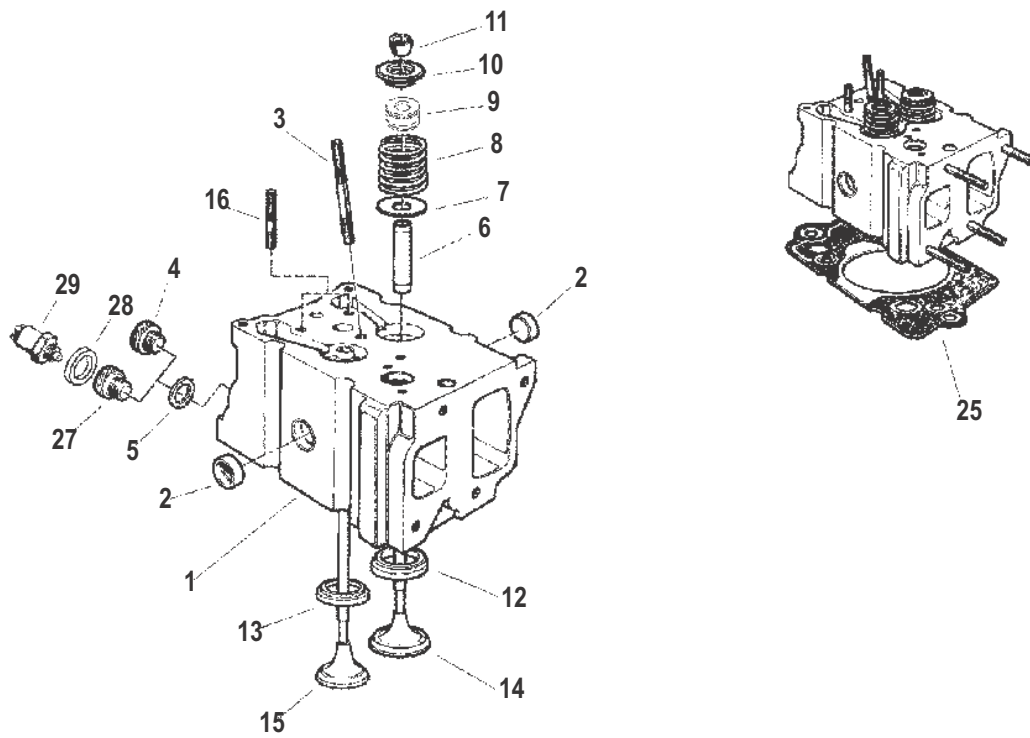
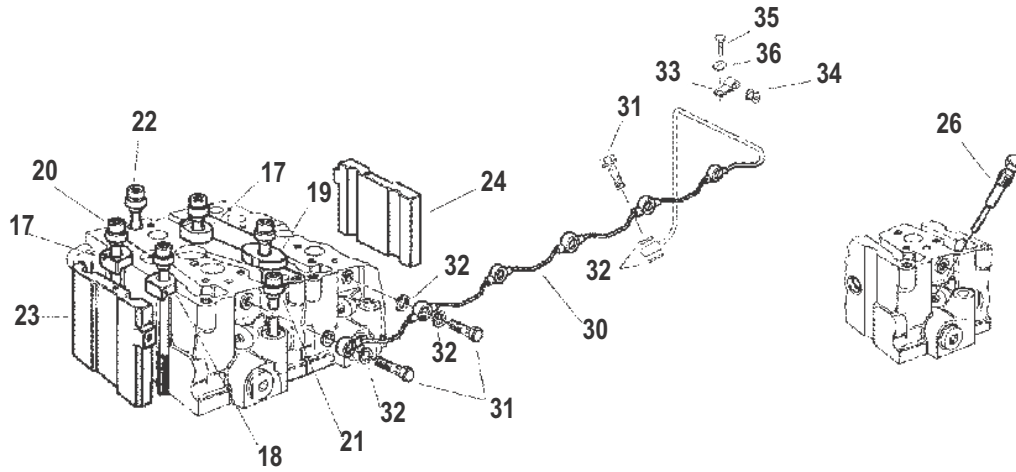


12764

Rocker Arm and Lifters

| Ref # | Part Class | Part Number | Description | Comments | Qty | Note |
|--------------|-------------------|--------------------|-------------------------|-----------------|------------|-------------|
| 1 | 0000 | 854057 | ROCKER ARM ASSEMBLY | | 6 | |
| 2 | 0000 | 854059 | ROCKER ARM Intake | | 6 | |
| 3 | 0000 | 854060 | SUPPORT Rocker Arm | | 6 | |
| 4 | 0000 | 854061 | ROCKER ARM Exhaust | | 6 | |
| 5 | 0023 | 854062 | BUSHING | | 12 | |
| 6 | 0011 | 854037 | NUT (M8) | | 12 | |
| 7 | 0000 | 854058T | BRACKET Rocker Arm | | 6 | |
| 8 | 0000 | 854063 | LIFTER Roller | | 12 | |
| 9 | 0000 | 854064 | PUSH ROD | | 12 | |
| 10 | 0000 | 854066 | BRACKET Lifter Retainer | | 6 | |

CYLINDER HEAD



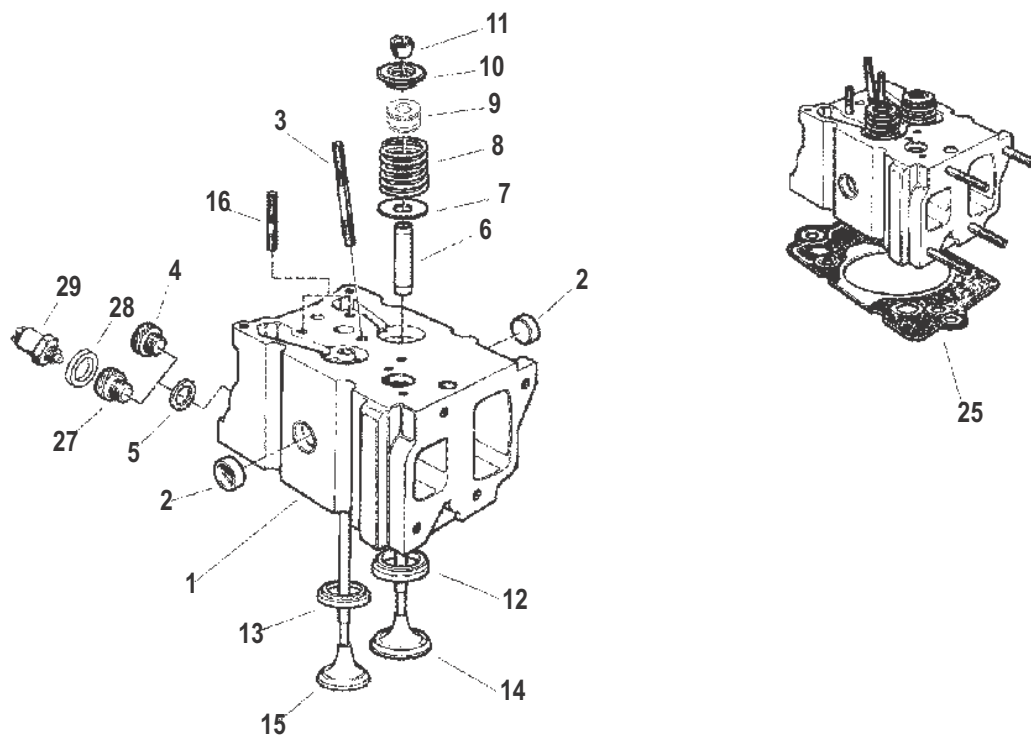
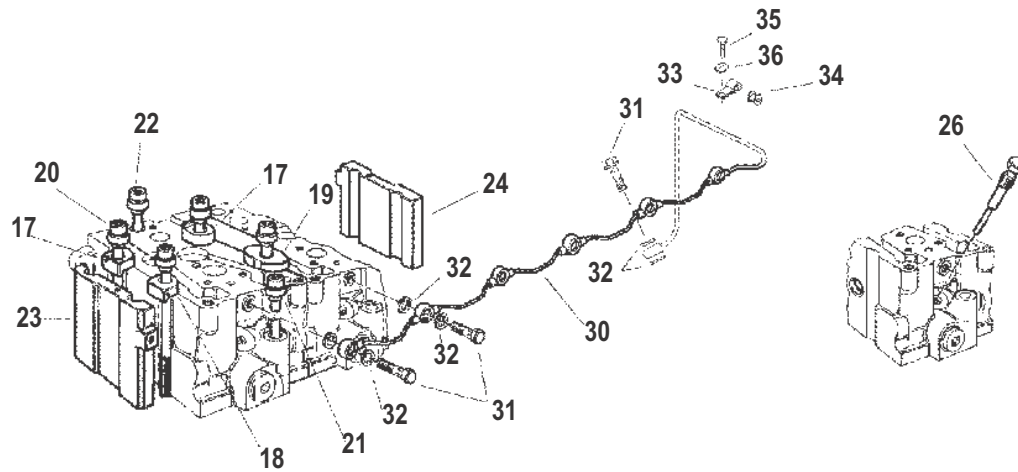
12765

CYLINDER HEAD

| Ref # | Part Class | Part Number | Description | Comments | Qty | Note |
|-------|------------|-------------|----------------------------------|------------------------------------|-------|------|
| 1 | 0000 | 854067 | CYLINDER HEAD ASSEMBLY | (2.8L) [0L098218] & Below | 4 | |
| 1 | 0000 | 854067 | CYLINDER HEAD ASSEMBLY | (4.2L) [0L099504] & Below | 6 | |
| 1 | 0000 | 879715 | CYLINDER HEAD ASSEMBLY | (2.8L) [0L098219] & Up | 4 | |
| 1 | 0000 | 879715 | CYLINDER HEAD ASSEMBLY | (4.2L) [0L099505] & Up | 6 | |
| 2 | 0019 | 811389 | PLUG | | 8/12 | |
| 3 | 0016 | 854069 | STUD (M8 x 60) | | 4/6 | |
| 4 | 0010 | 801763377 | PLUG | | 2/4 | |
| 5 | 0025 | 809963342 | O-RING | | 4/6 | [1] |
| 6 | 0000 | 854070 | VALVE GUIDE Standard | | 8/12 | |
| 7 | 0000 | 801331752 | PLATE Spring | | 8/12 | |
| 8 | 0024 | 811388 | SPRING | | 8/12 | |
| 9 | 0026 | 854068 | SEAL Oil | | 8/12 | |
| 10 | 0000 | 801331754 | CAP Spring | | 8/12 | |
| 11 | 0000 | 801331755 | KEEPER | | 16/24 | |
| 12 | 0000 | 854071 | SEAT (INTAKE) | | 4/6 | |
| 13 | 0000 | 854072 | SEAT (EXHAUST) | | 4/6 | |
| 14 | 0000 | 854073 | VALVE | | 4/6 | |
| 15 | 0000 | 854074 | VALVE Exhaust | | 4/6 | |
| 16 | 0016 | 854075 | STUD (M8 x 35) | | 8/12 | |
| 17 | 0000 | 801331671 | BRIDGE | | 5/7 | |
| 18 | 0000 | 801331673 | BRIDGE | | 2 | |
| 19 | 0000 | 801331674 | BRIDGE | | 3/5 | |
| 20 | 0010 | 806685 | BOLT (M14 x 149.5) Center | | 10/14 | |
| 21 | 0010 | 806686 | BOLT (M12 x 94.5) Injector Side | | 4/6 | |
| 22 | 0010 | 806687 | BOLT (M12 x 127.5) Manifold Side | | 4/6 | |
| 23 | 0023 | 854077 | SPACER Front | (2.8L) [0K144109] THRU [0L098058] | 1 | |
| 23 | 0023 | 854077 | SPACER Front | (4.2L) [0K144114] THRU [0L098231] | 1 | |
| 23 | 0023 | 881746 | SPACER | (2.8L) [0L098059] & Up | 1 | |
| 23 | 0023 | 881746 | SPACER | (4.2L) [0L098232] & Up | 1 | |
| 24 | 0023 | 854076 | SPACER Rear | (2.8L) [0K144109] THRU [0L098058] | 1 | |
| 24 | 0023 | 854076 | SPACER Rear | (4.2L) [0K144114] THRU [0L098231] | 1 | |
| 24 | 0023 | 881746 | SPACER | (2.8L) [0L098059] & Up | 1 | |
| 24 | 0023 | 881746 | SPACER | (4.2) [0L098232] & Up | 1 | |
| 25 | 0027 | 854078 | GASKET Cylinder Head (1.42 MM) | (2.8L) [0K144109] THRU [0L098058] | 4 | [2] |
| 25 | 0027 | 854078 | GASKET Cylinder Head (1.42 MM) | (4.2L) [0K144114] THRU [0L098231] | 6 | [3] |
| 25 | 0027 | 823297 | GASKET Cylinder Head (1.52 MM) | (2.8L) [0K144109] THRU [0L098058] | OPT | |
| 25 | 0027 | 823297 | GASKET Cylinder Head (1.52 MM) | (4.2L) [0K144114] THRU [0L098231] | OPT | |
| 25 | 0027 | 854079 | GASKET Cylinder Head (1.62 MM) | (2.8L) [0K144109] THRU [0L098058] | OPT | |
| 25 | 0027 | 854079 | GASKET Cylinder Head (1.62 MM) | (4.2L) [0K144114] THRU [0L098231] | OPT | |

CYLINDER HEAD

CYLINDER HEAD



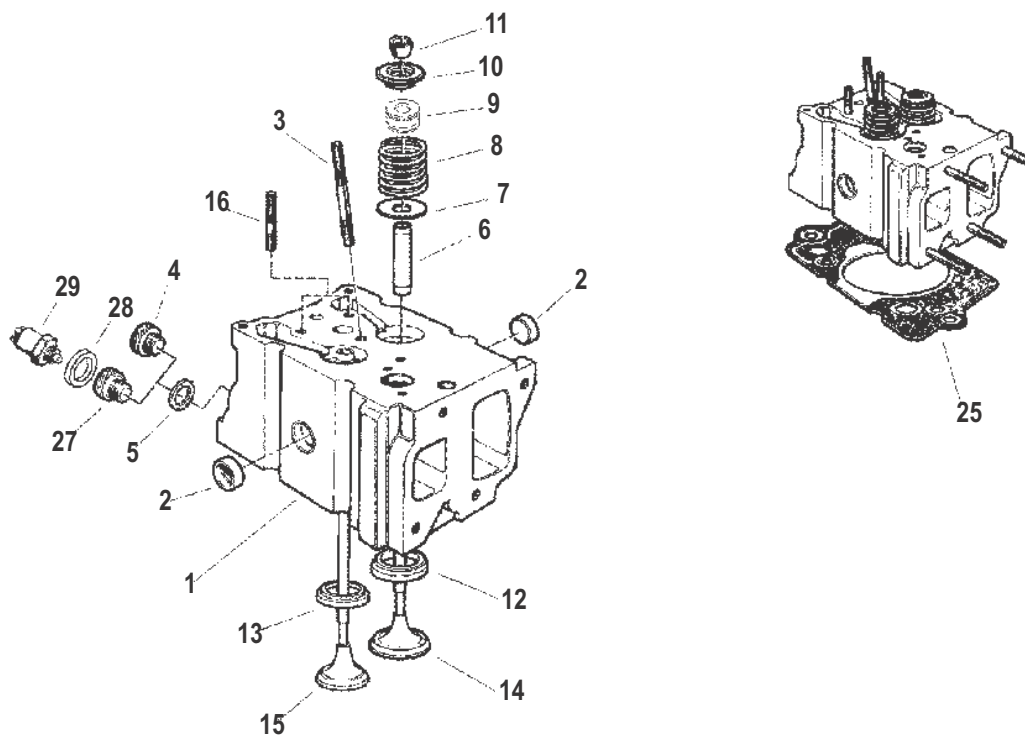
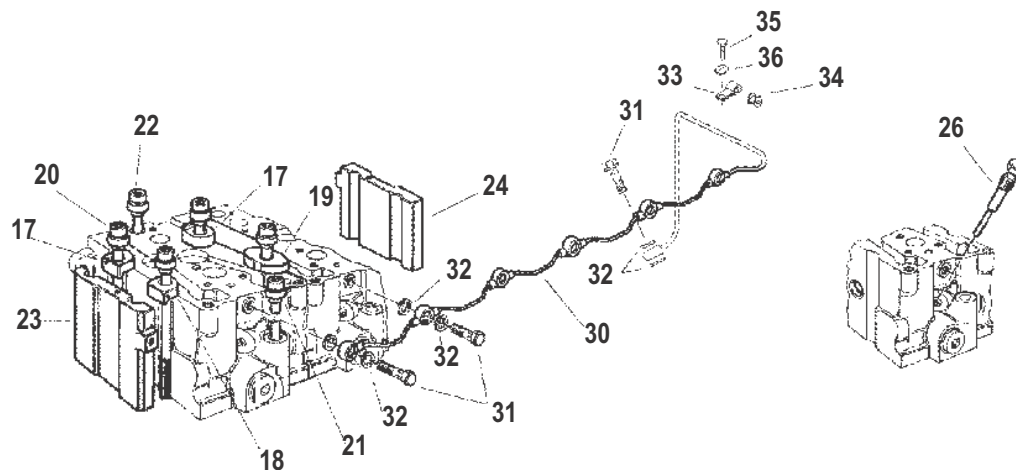
12765

CYLINDER HEAD

| Ref # | Part Class | Part Number | Description | Comments | Qty | Note |
|-------|------------|-------------|-----------------------------------|---|-------|------|
| 25 | 0027 | 879675 | GASKET (1.41 mm) Cylinder Head | (2.8L) [0L098059] & Up | 1 | |
| 25 | 0027 | 879676 | GASKET (1.51 mm) Cylinder Head | (2.8L) [0L098059] & Up | OPT | |
| 25 | 0027 | 879677 | GASKET (1.61 mm) Cylinder Head | (2.8L) [0L098059] & Up | OPT | |
| 25 | 0027 | 877376 | GASKET (1.42 mm) Front | (4.2L) [0L0980232] & Up | 1 | |
| 25 | 0027 | 879678 | GASKET (1.52 mm) Front | (4.2L) [0L0980232] & Up | OPT | |
| 25 | 0027 | 879679 | GASKET (1.62 mm) Front | (4.2L) [0L0980232] & Up | OPT | |
| 25 | 0027 | 877377 | GASKET (1.42 mm) Rear | (4.2L) [0L0980232] & Up | 1 | |
| 25 | 0027 | 879680 | GASKET (1.52 mm) Rear | (4.2L) [0L0980232] & Up | OPT | |
| 25 | 0027 | 879681 | GASKET (1.62 mm) Rear | (4.2L) [0L0980232] & Up | OPT | |
| 26 | 0019 | 854080 | PLUG | | 4/6 | |
| 26 | 0033 | 802736 | GLOW PLUG KIT | (2.4L) | OPT | |
| 26 | 0033 | 802737 | GLOW PLUG KIT | (4.2L) | OPT | |
| 27 | 0022 | 880819 | ADAPTER | (SINGLE STATION TEMP SENDER) | 1 | |
| 27 | 0022 | 52382 | BUSHING | (DUAL STATION TEMP SENDER) | 1 | |
| 27 | 0022 | 854082 | ADAPTER | (ECT SENSOR)(2.8L) [0L098218] & Below | 1 | |
| 27 | 0022 | 854082 | ADAPTER | (ECT SENSOR)(4.2L) [0L099504] & Below | 1 | |
| 27 | 0022 | 884000 | ADAPTER | (ECT SENSOR)(2.8L) [0L098219] & Up | 1 | |
| 27 | 0022 | 884000 | ADAPTER | (ECT SENSOR)(4.2L) [0L099505] & Up | 1 | |
| 28 | 0025 | 809963129 | WASHER | WATER TEMPERATURE SENDER | 1 | [1] |
| 28 | 0012 | 811438 | WASHER | ECT SENSOR | 1 | |
| 29 | 0000 | 880820 | SENDER | (SINGLE STATION) WATER TEMPERATURE SENDER | 1 | |
| 29 | 0000 | 49734 | SENDER | (DUAL STATION) WATER TEMPERATURE SENDER | 1 | |
| 29 | 0087 | 854081 | SENSOR Engine Coolant Temperature | ECT SENSOR | 1 | |
| 30 | 0032 | 855458 | LINE Oil | (2.8L) | 1 | |
| 30 | 0032 | 854065 | LINE Oil | (4.2L) | 1 | |
| 31 | 0010 | 811394 | BOLT Banjo | | 5/7 | |
| 32 | 0025 | 809963042 | O-RING | | 10/14 | [1] |
| 33 | 0054 | 801333424 | CLIP | | 1 | |
| 34 | 0025 | 855459 | SLEEVE | | 1 | |
| 35 | 0010 | 809913218 | SCREW (M5 x 10) | | 1 | |
| 36 | 0012 | 809931036 | WASHER | | 1 | |
| - | 0027 | 855451 | GASKET SET Overhaul | (2.8L) [0K144109] THRU [0L098058] | 1 | |
| - | 0027 | 879684 | GASKET SET Overhaul | (2.8L) [0L098059] & Up | 1 | |
| - | 0027 | 855448 | GASKET SET Overhaul | (4.2L) [0K144114] THRU [0L098231] | 1 | |
| - | 0027 | 881742 | GASKET SET Overhaul | (4.2L) [0L0980232] & Up | 1 | |
| - | 0027 | 855450 | GASKET SET Cylinder Head | (2.8L) [0K144109] THRU [0L098058] | 1 | |

CYLINDER HEAD

CYLINDER HEAD



12765

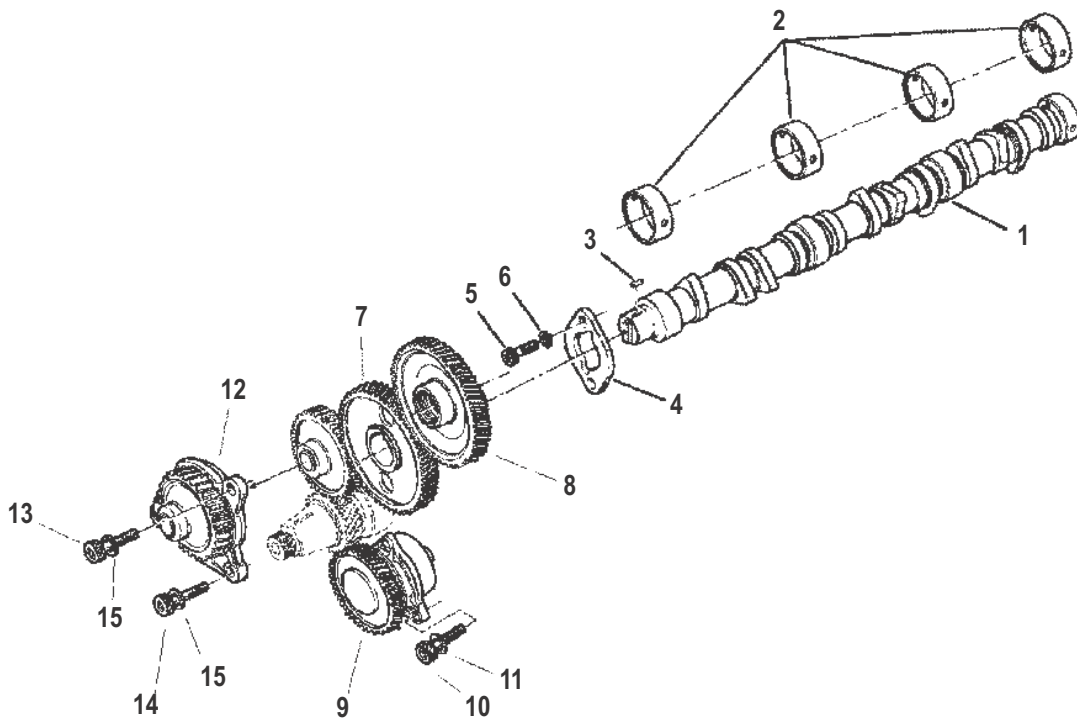
CYLINDER HEAD

| Ref # | Part Class | Part Number | Description | Comments | Qty | Note |
|-------|------------|-------------|--------------------------|-----------------------------------|-----|------|
| - | 0027 | 883962 | GASKET SET Cylinder Head | (2.8L) [0L098059] & Up | 1 | |
| - | 0027 | 855449 | GASKET SET Cylinder Head | (4.2L) [0K144114] THRU [0L098231] | 1 | |
| - | 0027 | 881743 | GASKET SET Cylinder Head | (4.2L) [0L0980232] & Up | 1 | |

PART NOTES:

- [1] - COMPONENT OF OVERHAUL GASKET SET 855451
 COMPONENT OF OVERHAUL GASKET SET 855488
 COMPONENT OF OVERHAUL GASKET SET 879684
 COMPONENT OF OVERHAUL GASKET SET 881742
- [2] - COMPONENT OF OVERHAUL GASKET SET 855451
 COMPONENT OF CYLINDER HEAD GASKET SET855450
- [3] - COMPONENT OF OVERHAUL GASKET SET 855488
 COMPONENT OF CYLINDER HEAD GASKET SET855449

CAMSHAFT

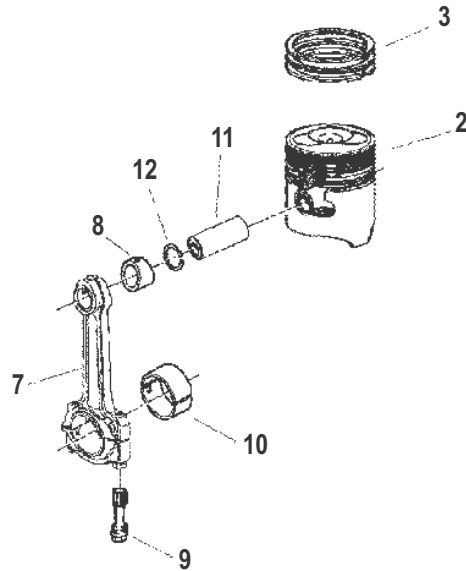
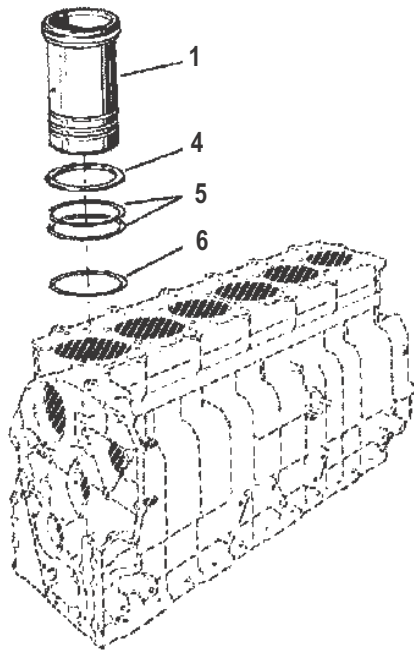


12766

CAMSHAFT

| Ref # | Part Class | Part Number | Description | Comments | Qty | Note |
|-------|------------|-------------|------------------|----------|-----|------|
| 1 | 0487 | 855460 | CAMSHAFT | (2.8L) | 1 | |
| 1 | 0487 | 854084 | CAMSHAFT | (4.2L) | 1 | |
| 2 | 0023 | 855461 | BUSHING Standard | | 3/4 | |
| 2 | 0023 | 801333864 | BUSHING (25 mm) | | AR | |
| 3 | 0028 | 801331735 | KEY | | 1 | |
| 4 | 0000 | 801331733 | PLATE Cam Guide | | 1 | |
| 5 | 0010 | 809919935 | SCREW (M8 x 18) | | 2 | |
| 6 | 0013 | 811384 | LOCKWASHER (M8) | | 2 | |
| 7 | 0043 | 854085 | GEAR | | 1 | |
| 8 | 0043 | 854086 | GEAR | | 1 | |
| 9 | 0000 | 854087 | PUMP Oil | | 1 | |
| 10 | 0010 | 809919935 | SCREW (M8 x 18) | | 3 | |
| 11 | 0013 | 811460 | LOCKWASHER | | 3 | |
| 12 | 0043 | 854088 | GEAR ASSEMBLY | | 1 | |
| 13 | 0010 | 811415 | SCREW | | 1 | |
| 14 | 0010 | 809919935 | SCREW (M8 x 18) | | 2 | |
| 15 | 0013 | 811460 | LOCKWASHER | | 3 | |

CONNECTING ROD AND PISTON



12771

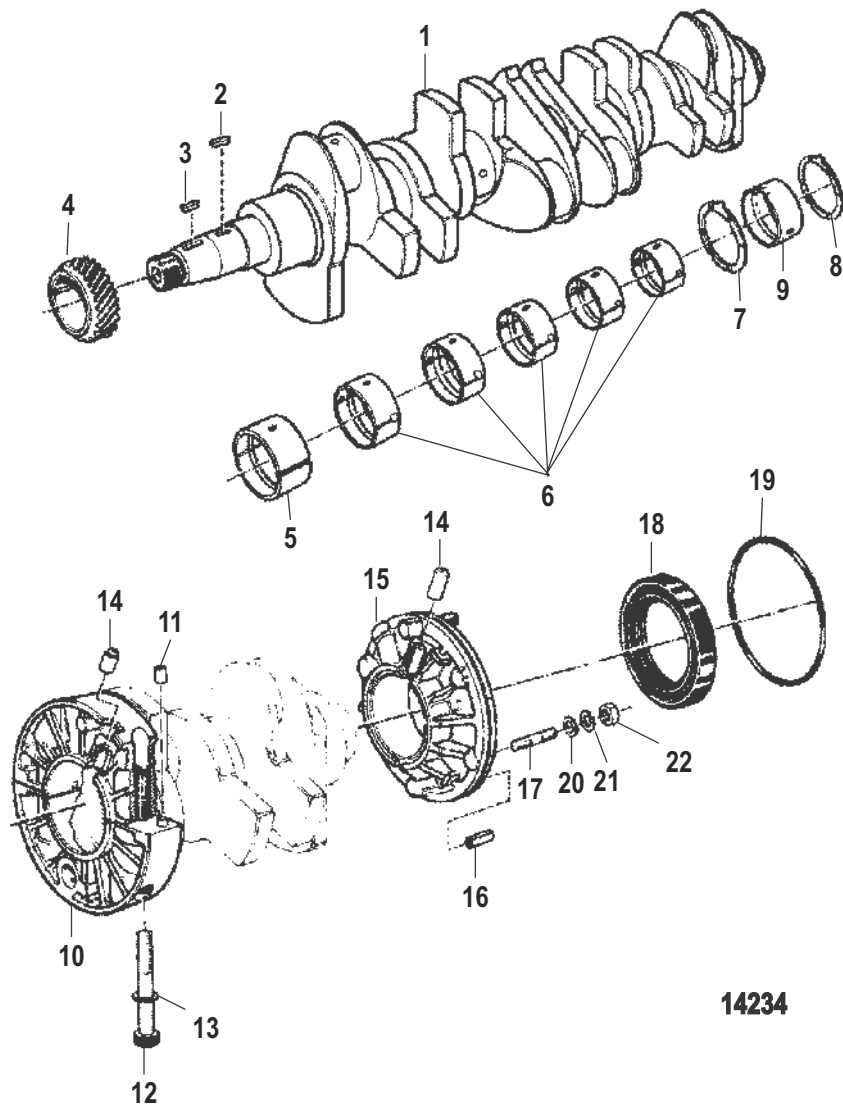
CONNECTING ROD AND PISTON

| Ref # | Part Class | Part Number | Description | Comments | Qty | Note |
|-------|------------|-------------|-------------------------|-----------------------------------|------|------|
| - | 0051 | 803123A1 | LINER KIT | | 4/6 | |
| 1 | 0051 | 854089 | LINER | | 4/6 | |
| 2 | 0795 | 803122A1 | PISTON ASSEMBLY | | 4/6 | |
| 3 | 0039 | 823646 | RING SET | | 4/6 | |
| 4 | 0015 | 801331607 | SHIM (15 mm) | | AR | [1] |
| 4 | 0015 | 801331608 | SHIM (20 mm) | | AR | [1] |
| 4 | 0015 | 801763362 | SHIM (23 mm) | | AR | [1] |
| 5 | 0025 | 817728 | O-RING | | 8/12 | [1] |
| 6 | 0025 | 817729 | O-RING | | 4/6 | [1] |
| 7 | 0641 | 808629 | CONNECTING ROD ASSEMBLY | | 4/6 | |
| 8 | 0023 | 854090 | BUSHING | | 4/6 | |
| 9 | 0010 | 801331713 | BOLT | | 8/12 | |
| 10 | 0000 | 801331715 | BEARING Standard | | 4/6 | |
| 10 | 0000 | 801331716 | BEARING (25 mm) | | AR | |
| 10 | 0000 | 801331717 | BEARING (50 mm) | | AR | |
| 11 | 0041 | 811387 | PIN | | 4/6 | |
| 12 | 0040 | 801331725 | RING | | 8/12 | |
| - | 0027 | 855451 | GASKET SET Overhaul | (2.8L) [0K144109] THRU [0L098058] | 1 | |
| - | 0027 | 879684 | GASKET SET Overhaul | (2.8L) [0L098059] & Up | 1 | |
| - | 0027 | 855448 | GASKET SET Overhaul | (4.2L) [0K144114] THRU [0L098231] | 1 | |
| - | 0027 | 881742 | GASKET SET Overhaul | (4.2L) [0L095232] & Up | 1 | |

PART NOTES:

- [1] - COMPONENT OF OVERHAUL GASKET SET 855451
COMPONENT OF OVERHAUL GASKET SET 855488
COMPONENT OF OVERHAUL GASKET SET 879684
COMPONENT OF OVERHAUL GASKET SET 881742

CRANKSHAFT



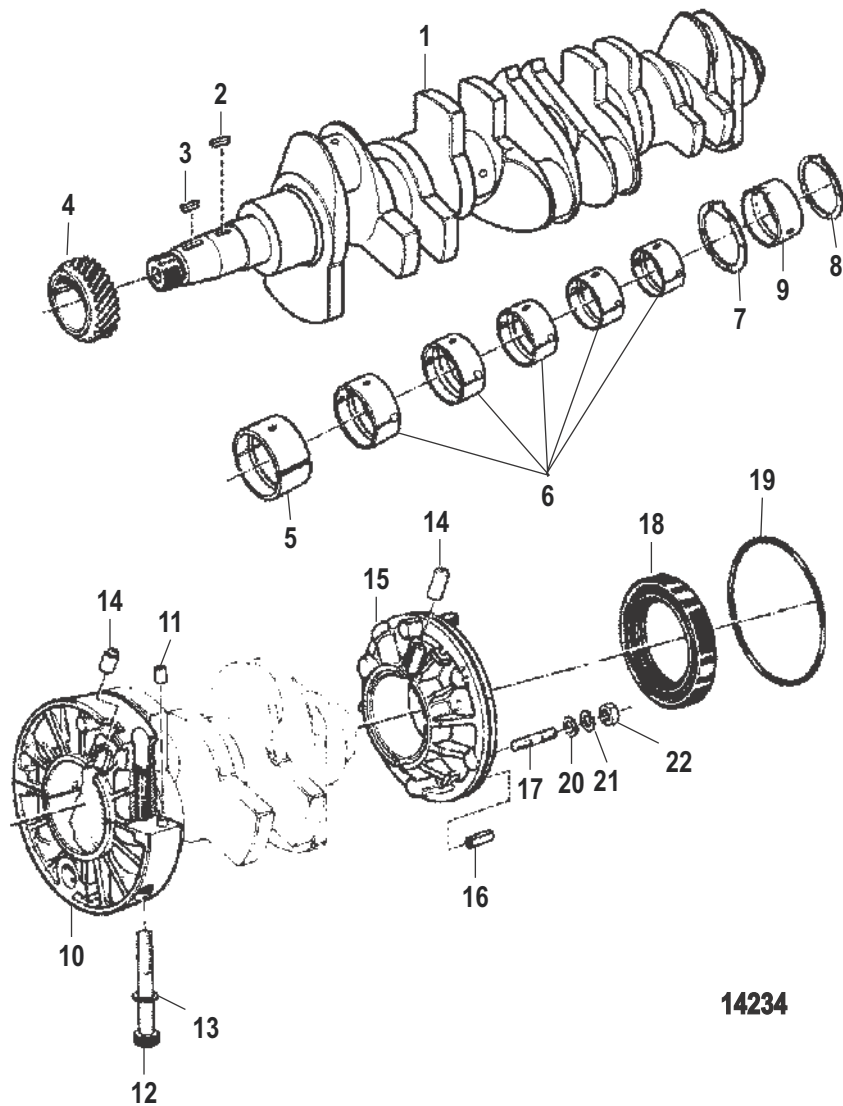
14234

CRANKSHAFT

| Ref # | Part Class | Part Number | Description | Comments | Qty | Note |
|-------|------------|-------------|-------------------------------|---|-----|------|
| 1 | 0486 | 855462 | CRANKSHAFT | (2.8L) [0L098203] & Below | 1 | |
| 1 | 0486 | 884013 | CRANKSHAFT | (2.8L) [0L098204] & Up | 1 | |
| 1 | 0486 | 816782 | CRANKSHAFT | (4.2L) [0L099524] & Below | 1 | |
| 1 | 0486 | 884014 | CRANKSHAFT | (4.2L) [0L099525] & Up | 1 | |
| 2 | 0028 | 801331642 | KEY | | 1 | |
| 3 | 0028 | 879718 | KEY | | 1 | |
| 4 | 0043 | 883960A1 | GEAR | (For Use When No Spacer Is Present With Gear) | 1 | |
| 4 | 0043 | 883960 | GEAR | NEW STYLE | 1 | |
| 4 | 0043 | 883961 | SPACER | NEW STYLE | 1 | |
| 5 | 0023 | 811376 | BEARING Standard | | 1 | |
| 5 | 0023 | 811377 | BEARING (25 mm) | | AR | |
| 5 | 0023 | 811378 | BEARING (50 mm) | | AR | |
| 6 | 0023 | 801331631 | BEARING Standard | | 3/4 | |
| 6 | 0023 | 801331632 | BEARING (25 mm) | | AR | |
| 6 | 0023 | 801331633 | BEARING (50 mm) | | AR | |
| 7 | 0012 | 801331639 | THRUST WASHER (Standard) | (2.8L) [0L098203] & Below | 1 | |
| 7 | 0012 | 801331639 | THRUST WASHER (Standard) | (4.2L) [0L099524] & Below | 1 | |
| 7 | 0012 | 801331640 | THRUST WASHER (.10MM) | (2.8L) [0L098203] & Below | A/R | |
| 7 | 0012 | 801331640 | THRUST WASHER (.10MM) | (4.2L) [0L099524] & Below | AR | |
| 7 | 0012 | 801331641 | THRUST WASHER (.20MM) | (2.8L) [0L098203] & Below | A/R | |
| 7 | 0012 | 801331641 | THRUST WASHER (.20MM) | (4.2L) [0L099524] & Below | AR | |
| 7 | 0000 | 803621 | BEARING Standard Front Thrust | (2.8L) [0L098204] & Up | 1 | |
| 7 | 0000 | 803621 | BEARING Standard Front Thrust | (4.2L) [0L099525] & Up | 1 | |
| 7 | 0023 | 884006 | BEARING (.10 mm) Front Thrust | (2.8L) [0L098204] & Up | AR | |
| 7 | 0023 | 884006 | BEARING (.10 mm) Front Thrust | (4.2L) [0L099525] & Up | AR | |
| 7 | 0023 | 884007 | BEARING (.20 mm) Front Thrust | (2.8L) [0L098204] & Up | AR | |
| 7 | 0023 | 884007 | BEARING (.20 mm) Front Thrust | (4.2L) [0L099525] & Up | AR | |
| 8 | 0012 | 801331639 | THRUST WASHER | (2.8L) [0L098203] & Below | 1 | |
| 8 | 0012 | 801331639 | THRUST WASHER | (4.2L) [0L099524] & Below | 1 | |
| 8 | 0012 | 803622 | WASHER | (2.8L) [0L098204] & Up | 1 | |
| 8 | 0012 | 803622 | WASHER | (4.2L) [0L099525] & Up | 1 | |
| 9 | 0023 | 801331635 | BEARING | (STD)(2.8L) [0L098203] & Below | 1 | |
| 9 | 0023 | 801331635 | BEARING | (STD)(4.2L) [0L099524] & Below | 1 | |
| 9 | 0023 | 801331636 | BEARING | (.25MM)(2.8L) [0L098203] & Below | AR | |
| 9 | 0023 | 801331636 | BEARING | (.25MM)(4.2L) [0L099524] & Below | AR | |
| 9 | 0023 | 801331637 | BEARING | (.50MM)(2.8L) [0L098203] & Below | AR | |
| 9 | 0023 | 801331637 | BEARING | (.50MM)(4.2L) [0L099524] & Below | AR | |
| 9 | 0023 | 884008 | BEARING Standard | (2.8L) [0L098204] & Up | 1 | |
| 9 | 0023 | 884008 | BEARING Standard | (4.2L) [0L099525] & Up | 1 | |
| 9 | 0023 | 884009 | BEARING (.25 mm) | (2.8L) [0L098204] & Up | AR | |
| 9 | 0023 | 884009 | BEARING (.25 mm) | (4.2L) [0L099525] & Up | AR | |

CRANKSHAFT

CRANKSHAFT



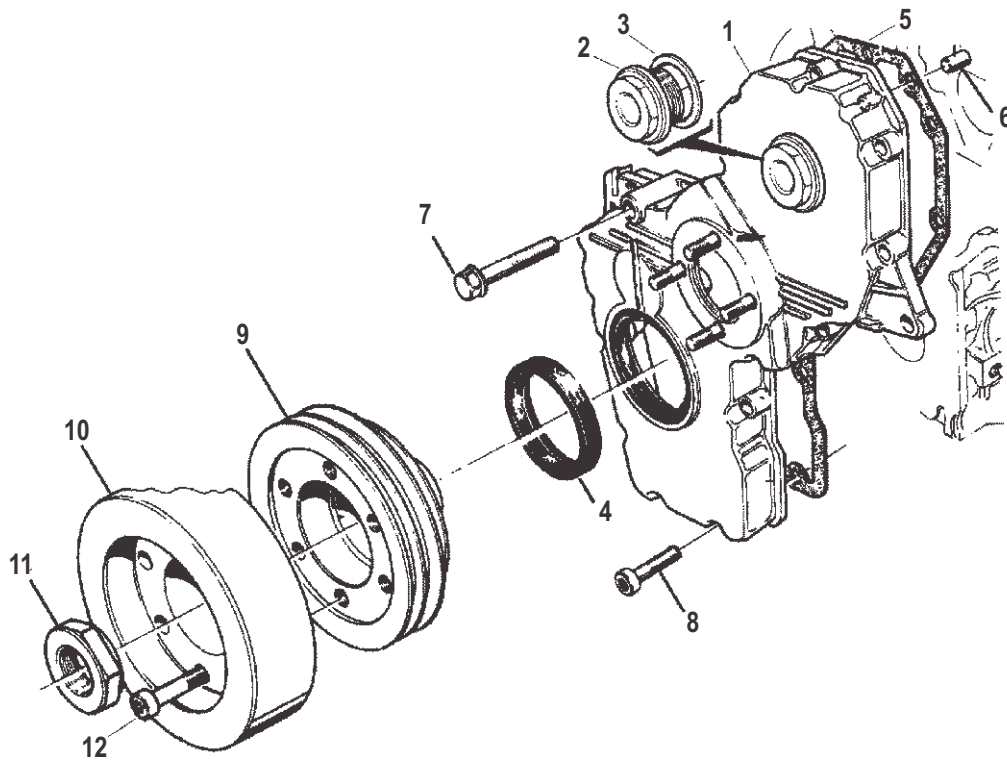
CRANKSHAFT

| Ref # | Part Class | Part Number | Description | Comments | Qty | Note |
|-------|------------|-------------|----------------------|------------------------------------|------|------|
| 9 | 0023 | 884010 | BEARING (.50 mm) | (2.8L) [0L098204] & Up | AR | |
| 9 | 0023 | 884010 | BEARING (.50 mm) | (4.2L) [0L099525] & Up | AR | |
| 10 | 0000 | 811379 | FLANGE ASSEMBLY | | 3/5 | |
| 11 | 0017 | 801331647 | PIN | | 6/10 | |
| 12 | 0010 | 811382 | SCREW (M10 x 90) | | 6/10 | |
| 13 | 0013 | 809932110 | LOCKWASHER | | 6/10 | |
| 14 | 0000 | 854093 | NOZZLE | | 4/6 | |
| 15 | 0000 | 854094 | FLANGE ASSEMBLY Rear | (2.8L) [0L098203] & Below | 1 | |
| 15 | 0000 | 854094 | FLANGE ASSEMBLY Rear | (4.2L) [0L099524] & Below | 1 | |
| 15 | 0000 | 884011 | FLANGE ASSEMBLY | (2.8L) [0L098204] & Up | 1 | |
| 15 | 0000 | 884011 | FLANGE ASSEMBLY | (4.2L) [0L099525] & Up | 1 | |
| 16 | 0017 | 809941485 | PIN | | 1 | |
| 17 | 0016 | 811383 | STUD (M8 x 20) | | 6 | |
| 18 | 0026 | 811385 | SEAL | (2.8L) [0L098203] & Below | 1 | |
| 18 | 0026 | 811385 | SEAL | (4.2L) [0L099524] & Below | 1 | |
| 18 | 0026 | 884012 | SEAL | (2.8L) [0L098204] & Up | 1 | |
| 18 | 0026 | 884012 | SEAL | (4.2L) [0L099525] & Up | 1 | |
| 19 | 0025 | 801331654 | O-RING | (2.8L) [0L098203] & Below | 1 | [1] |
| 19 | 0025 | 801331654 | O-RING | (4.2) [0L099524] & Below | 1 | [2] |
| 19 | 0025 | 884028001 | O-RING | (2.8L) [0L098204] & Up | 1 | |
| 19 | 0025 | 884028001 | O-RING | (4.2L) [0L099525] & Up | 1 | |
| 20 | 0012 | 4002217 | WASHER | | 6 | |
| 21 | 0013 | 811384 | LOCKWASHER (M8) | | 6 | |
| 22 | 0011 | 854037 | NUT (M8) | | 6 | |
| - | 0027 | 855451 | GASKET SET Overhaul | (2.8L) [0K144109] THRU [0L098058] | 1 | |
| - | 0027 | 879684 | GASKET SET Overhaul | (2.8L) [0L098059] & Up | 1 | |
| - | 0027 | 855448 | GASKET SET Overhaul | (4.2L) [0K144114] THRU [0L0980231] | 1 | |
| - | 0027 | 881742 | GASKET SET Overhaul | (4.2L) [0L0980232] & Up | 1 | |

PART NOTES:

- [1] - COMPONENT OF OVERHAUL GASKET SET 855451
COMPONENT OF OVERHAUL GASKET SET 879684
- [2] - COMPONENT OF OVERHAUL GASKET SET 855488
COMPONENT OF OVERHAUL GASKET SET 881742

FRONT COVER



12767

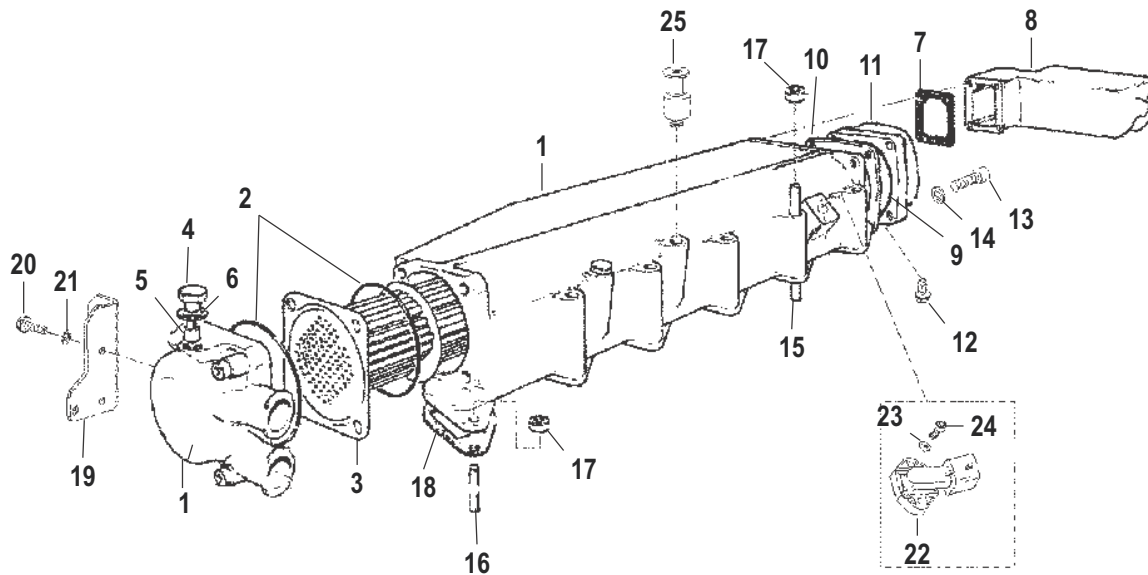
FRONT COVER

| Ref # | Part Class | Part Number | Description | Comments | Qty | Note |
|-------|------------|-------------|-----------------------|------------------------------------|-----|------|
| 1 | 0000 | 855464 | COVER ASSEMBLY | (2.8L) | 1 | |
| 1 | 0000 | 854095 | COVER ASSEMBLY | (4.2L) | 1 | |
| 2 | 0000 | 854097 | COVER | | 1 | |
| 3 | 0012 | 854098 | WASHER | | 1 | [1] |
| 4 | 0026 | 881789 | SEAL | | 1 | |
| 5 | 0027 | 854096 | GASKET | | 1 | [1] |
| 6 | 0017 | 801331212 | PIN | | 2 | |
| 7 | 0010 | 855465 | SCREW (M8 x 60) | | 1 | |
| 8 | 0010 | 811422 | SCREW (M6 x 35) | | 13 | |
| 9 | 0000 | 850420A1 | PULLEY (INCLUDES KEY) | | 1 | |
| 10 | 0000 | 809590 | VIBRATION DAMPER | | 1 | |
| 11 | 0011 | 811421 | NUT | | 1 | |
| 12 | 0010 | 811423 | SCREW (M10 x 45) | | 6 | |
| - | 0027 | 855451 | GASKET SET Overhaul | (2.8L) [0K144109] THRU [0L098058] | 1 | |
| - | 0027 | 879684 | GASKET SET Overhaul | (2.8L) [0L098059] & Up | 1 | |
| - | 0027 | 855448 | GASKET SET Overhaul | (4.2L) [0K144114] THRU [0L0980231] | 1 | |
| - | 0027 | 881742 | GASKET SET Overhaul | (4.2L) [0L098032] & Up | 1 | |

PART NOTES:

- [1] - COMPONENT OF OVERHAUL GASKET SET 855451
COMPONENT OF OVERHAUL GASKET SET 855488
COMPONENT OF OVERHAUL GASKET SET 879684
COMPONENT OF OVERHAUL GASKET SET 881742

AIR COOLER



14236

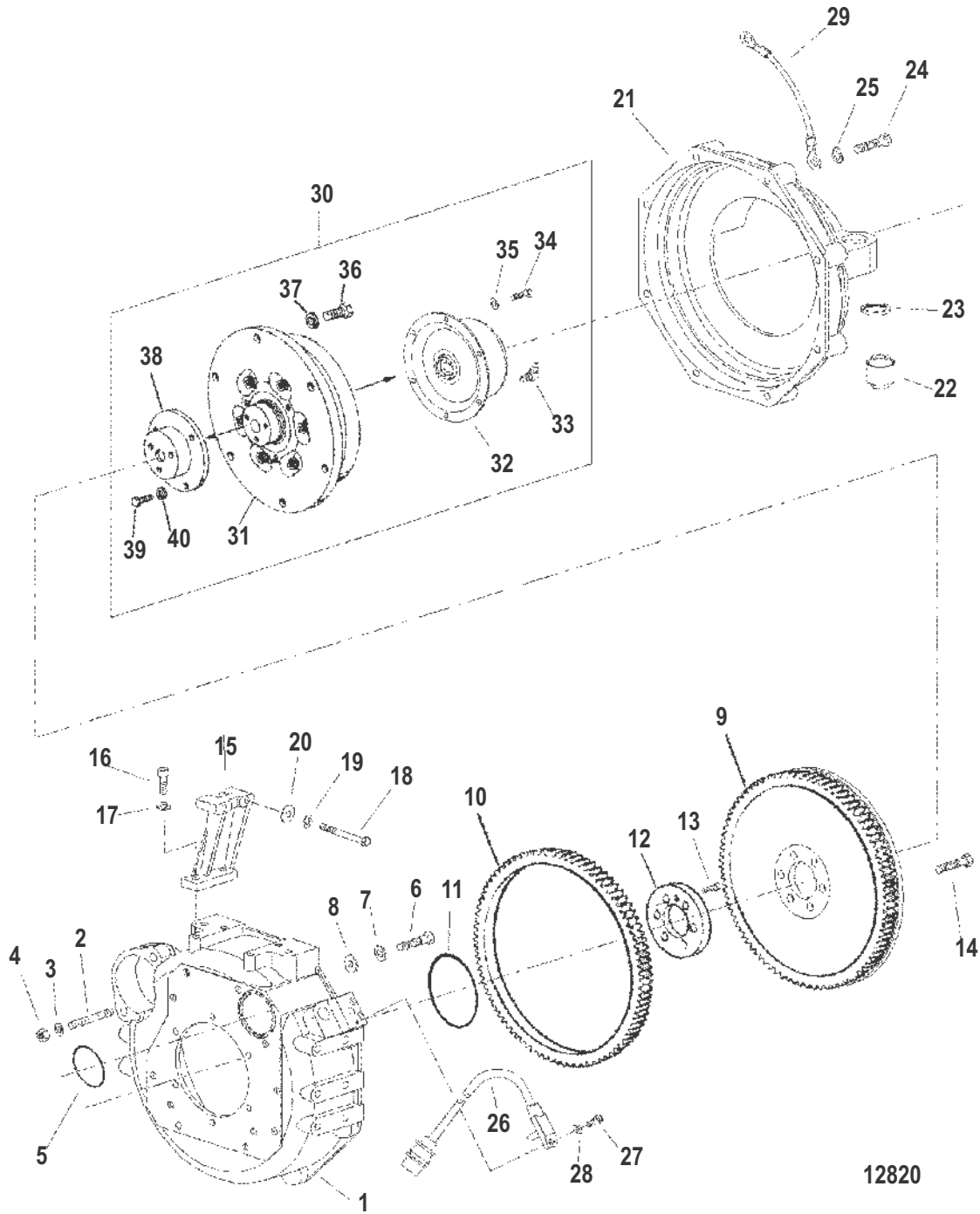
AIR COOLER

| Ref # | Part Class | Part Number | Description | Comments | Qty | Note |
|-------|------------|-------------|---------------------|-----------------------------------|------|------|
| 1 | 0000 | 879708 | COOLER Air | (2.8L) | 1 | |
| 1 | 0000 | 879709 | COOLER Air | (4.2L) | 1 | |
| 2 | 0025 | 811485 | O-RING | | 2 | |
| 3 | 0000 | 855521 | RADIATOR INSERT | (2.8L) | 1 | |
| 3 | 0000 | 854182 | RADIATOR INSERT | (4.2L) | 1 | |
| 4 | 0010 | 811487 | PLUG Anode Assembly | | 1 | |
| 5 | 0000 | 816000 | ANODE | | 1 | |
| 6 | 0012 | 811483 | WASHER | | 1 | |
| 7 | 0027 | 854214 | GASKET | | 1 | |
| 8 | 0000 | 854216 | HOUSING | | 1 | |
| 9 | 0025 | 811485 | O-RING | | 2 | |
| 10 | 0000 | 855522 | PLATE | (2.8L) | 1 | |
| 10 | 0000 | 809726 | PLATE | (4.2L) | 1 | |
| 11 | 0000 | 855523 | COVER | (2.8L) | 1 | |
| 11 | 0000 | 854217 | COVER | (4.2L) | 1 | |
| 12 | 0010 | 803607 | PLUG | | 1 | |
| 13 | 0010 | 809724 | SCREW (M8 x 35) | | 8 | |
| 14 | 0013 | 811460 | LOCKWASHER | | 12 | |
| 15 | 0016 | 855467 | STUD (M8 x 105) | (2.8L) | 3 | |
| 15 | 0016 | 850418 | STUD (M8 x 115) | (4.2L) | 5 | |
| 16 | 0016 | 850419 | STUD (M8 x 22) | | 5/7 | |
| 17 | 0011 | 854037 | NUT (M8) | | 8/12 | |
| 18 | 0027 | 854101 | GASKET | | 4/6 | [1] |
| 19 | 0000 | 854203 | LIFTING EYE | | 1 | |
| 20 | 0010 | 854118 | SCREW (M8 x 20) | | 2 | |
| 21 | 0013 | 811384 | LOCKWASHER (M8) | | 2 | |
| 22 | 0000 | 854102 | SENSOR | | 1 | |
| 23 | 0012 | 854103 | WASHER | | 2 | |
| 24 | 0010 | 854104 | SCREW (M5 x 20) | | 2 | |
| 25 | 0023 | 854019 | SPACER | | 1 | |
| - | 0027 | 855451 | GASKET SET Overhaul | (2.8L) [0K144109] THRU [0L098058] | 1 | |
| - | 0027 | 879684 | GASKET SET Overhaul | (2.8L) [0L098059] & Up | 1 | |
| - | 0027 | 855448 | GASKET SET Overhaul | (4.2L) [0K144114] THRU [0L098031] | 1 | |
| - | 0027 | 881742 | GASKET SET Overhaul | (4.2L) [0L098032] & Up | 1 | |

PART NOTES:

- [1] - COMPONENT OF OVERHAUL GASKET SET 855451
COMPONENT OF OVERHAUL GASKET SET 855488
COMPONENT OF OVERHAUL GASKET SET 879684
COMPONENT OF OVERHAUL GASKET SET 881742

FLYWHEEL HOUSING (STERN DRIVE)



12820

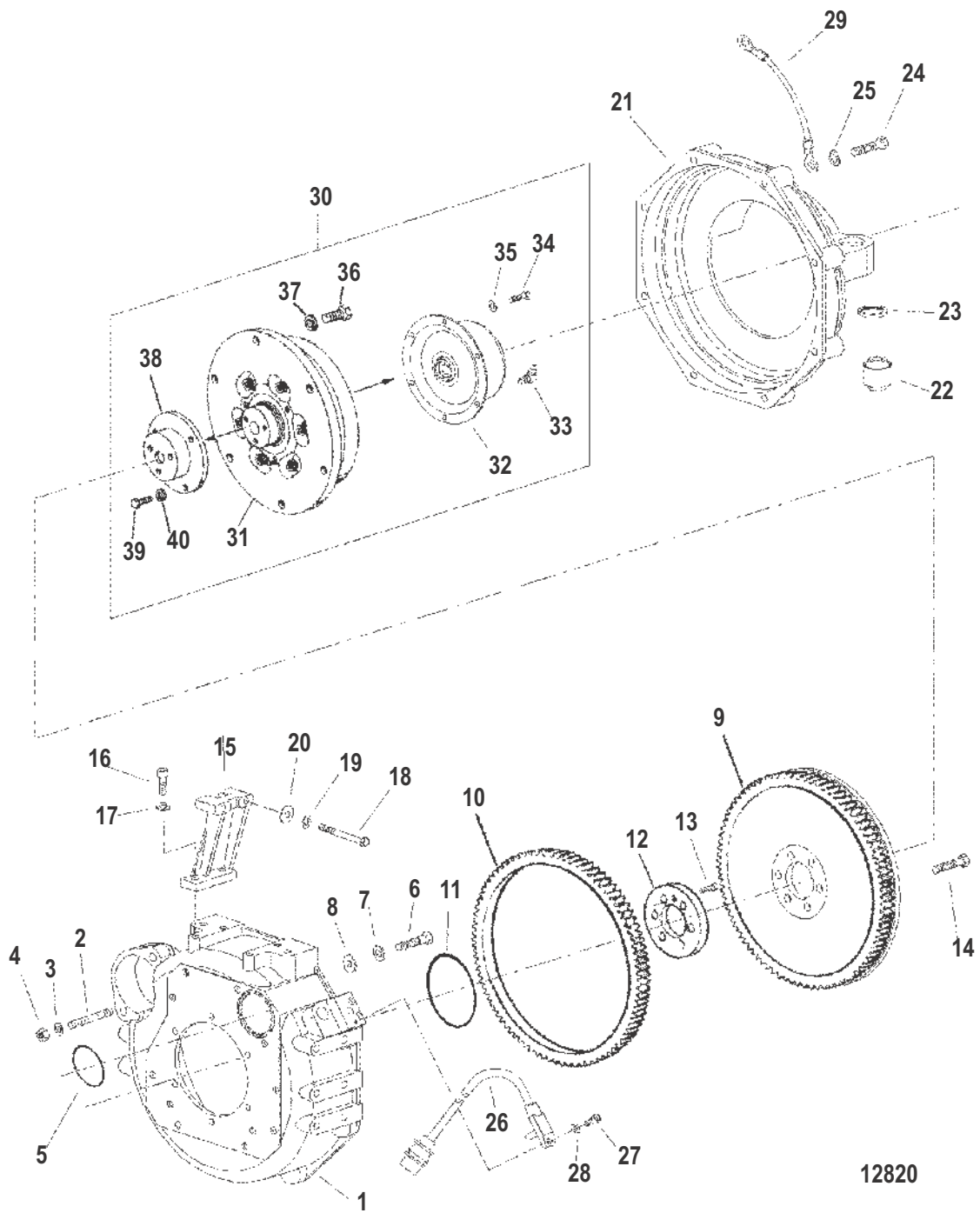
FLYWHEEL HOUSING (STERN DRIVE)

FLYWHEEL HOUSING (STERN DRIVE)

| Ref # | Part Class | Part Number | Description | Comments | Qty | Note |
|-------|------------|-------------|--|---------------------------------|-----|------|
| 1 | 0000 | 879710 | HOUSING | | 1 | |
| 2 | 0016 | 809908402 | STUD | | 2 | |
| 3 | 0013 | 811408 | LOCKWASHER | | 2 | |
| 4 | 0011 | 811458 | NUT | | 2 | |
| 5 | 0025 | 801331619 | O-RING | | 1 | [1] |
| 6 | 0010 | 854106 | SCREW (M10 x 25) | | 9 | |
| 7 | 0013 | 809932112 | LOCKWASHER | | 9 | |
| 8 | 0012 | 811459 | WASHER | | 9 | |
| 9 | 0265 | 855468 | FLYWHEEL | (2.8L) | 1 | |
| 9 | 0265 | 854107 | FLYWHEEL | (4.2L) | 1 | |
| 10 | 0043 | 801331701 | RING GEAR | | 1 | |
| 11 | 0025 | 811498 | O-RING | (2.8L) [0L098203] & Below | 1 | [2] |
| 11 | 0025 | 811498 | O-RING | (4.2L) [0L099524] & Below | 1 | [3] |
| 11 | 0025 | 884028 | O-RING | (2.8L) [0L098204] & Up | 1 | |
| 11 | 0025 | 884028 | O-RING | (4.2L) [0L099525] & Up | 1 | |
| 12 | 0000 | 855452 | SPACER | (2.8L)(4.2L) [0L098203] & Below | 1 | |
| 12 | 0000 | 855452 | SPACER | (4.2L) [0L099524] & Below | 1 | |
| 12 | 0000 | 889030 | SPACER Flywheel | (2.8L) [0L098204] & Up | 1 | |
| 12 | 0000 | 889030 | SPACER Flywheel | (4.2L) [0L099525] & Up | 1 | |
| 13 | 0010 | 801331698 | SCREW (M4 x 10) | | 1 | |
| 14 | 0010 | 879711 | SCREW | | 6 | |
| 15 | 0000 | 854108 | BRACKET | | 1 | |
| 16 | 0010 | 811457 | SCREW (M10 x 35) | | 2 | |
| 17 | 0013 | 809932110 | LOCKWASHER | | 2 | |
| 18 | 0010 | 811456 | SCREW | | 2 | |
| 19 | 0013 | 811460 | LOCKWASHER | | 2 | |
| 20 | 0012 | 811455 | WASHER | | 2 | |
| 21 | 0000 | 18718A7 | HOUSING ASSEMBLY | | 1 | |
| 22 | 0000 | 88791T | MOUNT Rubber | | 2 | |
| 23 | 0023 | 99322 | SPACER | | 2 | |
| 24 | 0010 | 40001206 | SCREW (M10 x 50) | | 7 | |
| 25 | 0013 | 809931076 | LOCKWASHER | | 7 | |
| 26 | 0087 | 854109 | SENSOR Engine RPM | | 1 | |
| 27 | 0010 | 854205 | SCREW (M6 x 14) | | 1 | |
| 28 | 0012 | 811450 | WASHER | | 1 | |
| 29 | 0084 | 62826A6 | CABLE ASSEMBLY Ground (13.00 Inches) Black | | 1 | |
| 30 | 0000 | 18311T10 | COUPLING ASSEMBLY | (Hub + 2 stage coupler) | 1 | |
| 31 | 0000 | 805735A6 | COUPLING ASSEMBLY | (2 Stage Coupler) | 1 | |
| 32 | 0000 | 805684A2 | COUPLING | | 1 | |
| 33 | 0022 | 49099 | FITTING | | 2 | |
| 34 | 0010 | 40001189 | SCREW (M10 x 20) | | 6 | |
| 35 | 0013 | 400248 | LOCKWASHER (M10) | | 6 | |
| 36 | 0010 | 854155 | SCREW (M10 x 30) | | 6 | |
| 37 | 0013 | 400248 | LOCKWASHER (M10) | | 6 | |

FLYWHEEL HOUSING (STERN DRIVE)

FLYWHEEL HOUSING (STERN DRIVE)



FLYWHEEL HOUSING (STERN DRIVE)

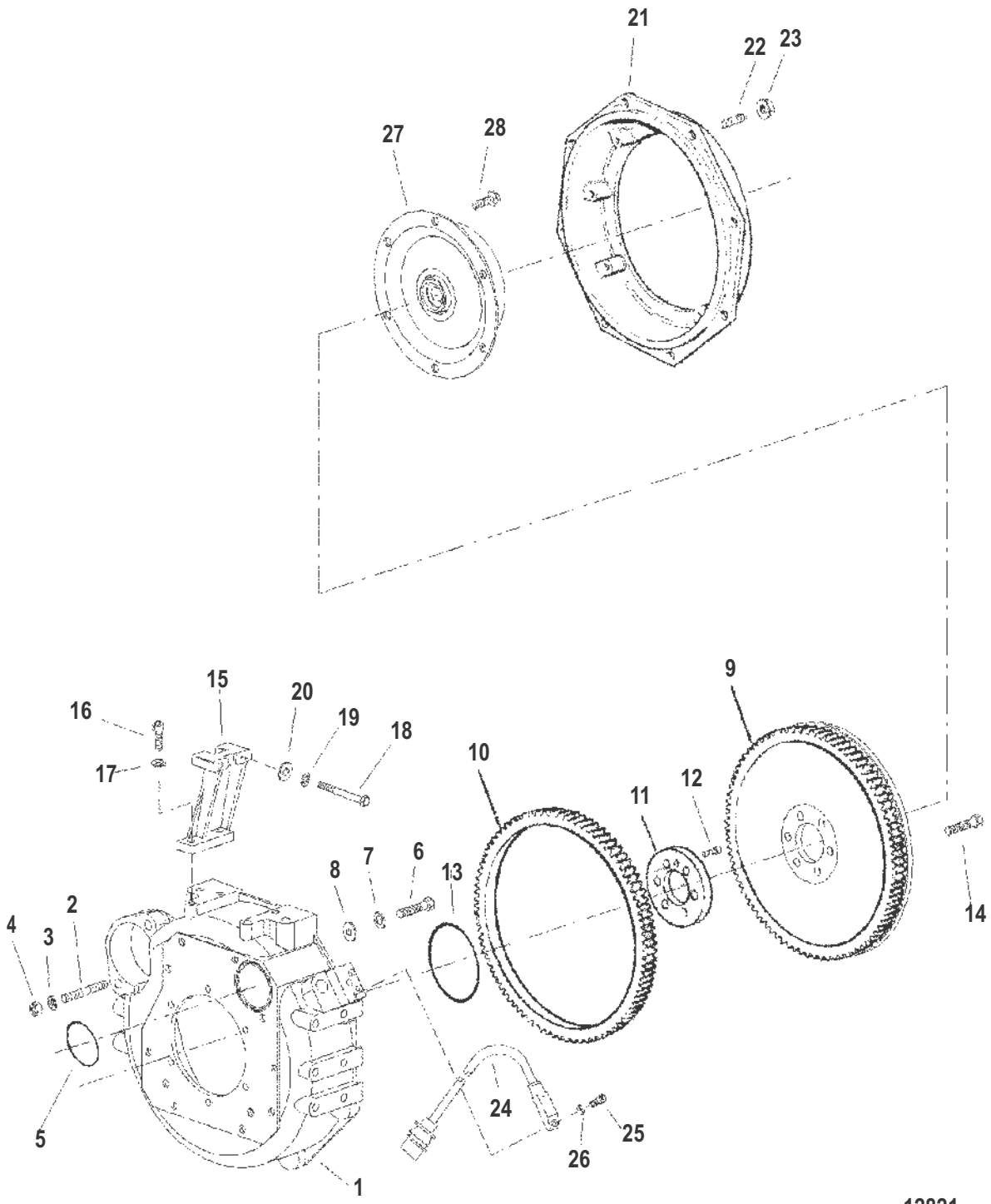
FLYWHEEL HOUSING (STERN DRIVE)

| Ref # | Part Class | Part Number | Description | Comments | Qty | Note |
|-------|------------|-------------|-----------------------------------|-----------------------------------|-----|------|
| 38 | 0000 | 805731 | COUPLER | | 1 | |
| 39 | 0010 | 4000175 | SCREW (M6 x 20) | | 6 | |
| 40 | 0013 | 26992 | LOCKWASHER (.250) Stainless Steel | | 6 | |
| - | 0027 | 855451 | GASKET SET Overhaul | (2.8L) [0K144109] THRU [0L098058] | 1 | |
| - | 0027 | 879684 | GASKET SET Overhaul | (2.8L) [0L098059] & Up | 1 | |
| - | 0027 | 855448 | GASKET SET Overhaul | (4.2L) [0K144114] THRU [0L098231] | 1 | |
| - | 0027 | 881742 | GASKET SET Overhaul | (4.2L) [0L098032] & Up | 1 | |

PART NOTES:

- [1] - COMPONENT OF OVERHAUL GASKET SET 855451
COMPONENT OF OVERHAUL GASKET SET 855488
COMPONENT OF OVERHAUL GASKET SET 879684
COMPONENT OF OVERHAUL GASKET SET 881742
- [2] - COMPONENT OF OVERHAUL GASKET SET 855451
COMPONENT OF OVERHAUL GASKET SET 879684
- [3] - COMPONENT OF OVERHAUL GASKET SET 855488
COMPONENT OF OVERHAUL GASKET SET 881742

FLYWHEEL HOUSING (INBOARD)



12821

FLYWHEEL HOUSING (INBOARD)

FLYWHEEL HOUSING (INBOARD)

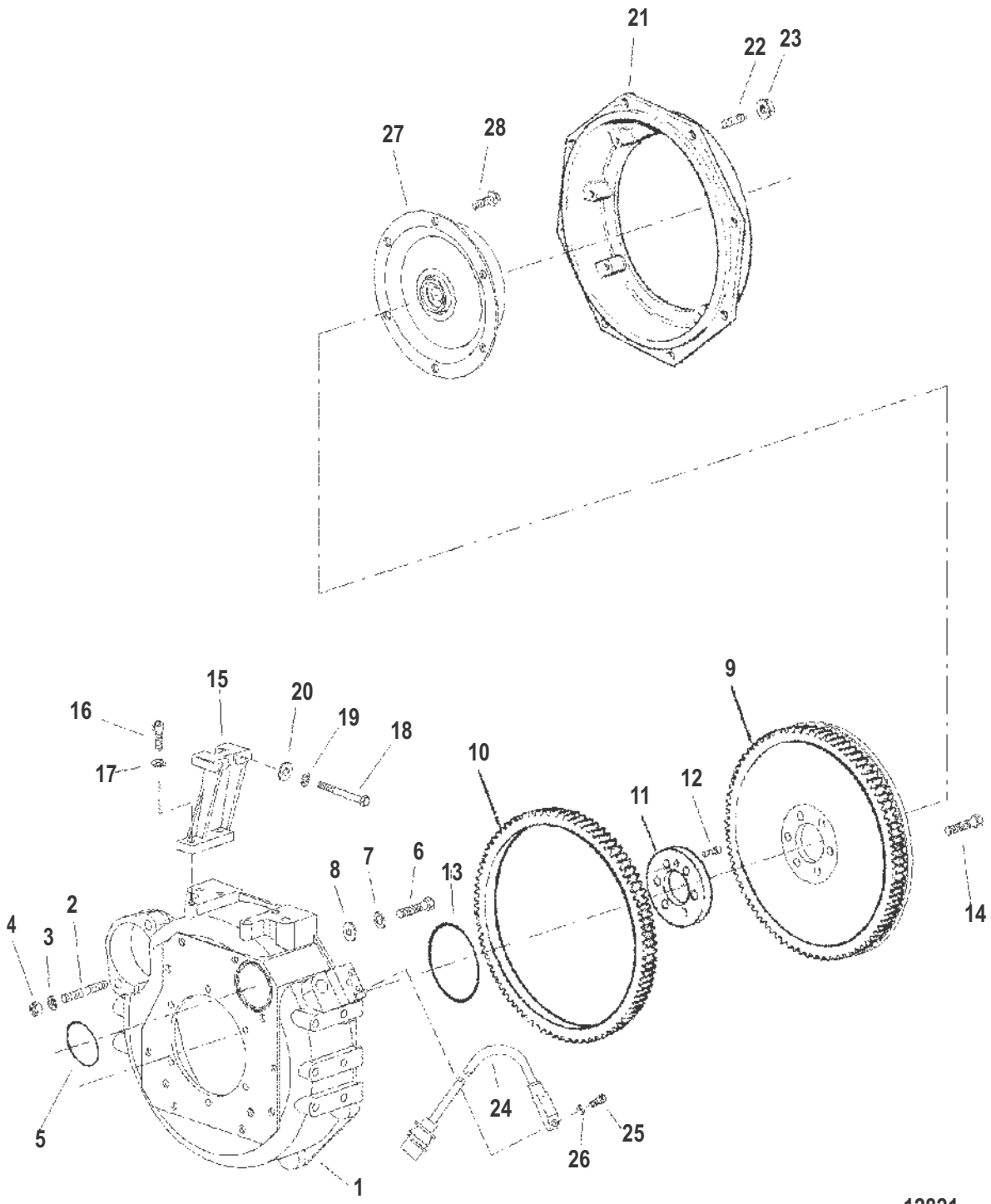
| Ref # | Part Class | Part Number | Description | Comments | Qty | Note |
|-------|------------|-------------|---------------------|-----------------------------------|-----|------|
| 1 | 0000 | 879710 | HOUSING | | 1 | |
| 2 | 0016 | 809908402 | STUD | | 2 | |
| 3 | 0013 | 811408 | LOCKWASHER | | 2 | |
| 4 | 0011 | 811458 | NUT | | 2 | |
| 5 | 0025 | 801331619 | O-RING | | 1 | [1] |
| 6 | 0010 | 854106 | SCREW (M10 x 25) | | 9 | |
| 7 | 0013 | 809932112 | LOCKWASHER | | 9 | |
| 8 | 0012 | 811459 | WASHER | | 9 | |
| 9 | 0265 | 854107 | FLYWHEEL | | 1 | |
| 10 | 0043 | 801331701 | RING GEAR | | 1 | |
| 11 | 0000 | 855452 | SPACER | (2.8L) [0L098203] & Below | 1 | |
| 11 | 0000 | 855452 | SPACER | (4.2L) [0L099524] & Below | 1 | |
| 11 | 0000 | 889030 | SPACER Flywheel | (2.8L) [0L098204] & Up | 1 | |
| 11 | 0000 | 889030 | SPACER Flywheel | (4.2L) [0L099525] & Up | 1 | |
| 12 | 0010 | 801331698 | SCREW (M4 x 10) | | 1 | |
| 13 | 0025 | 811498 | O-RING | (2.8L) [0L098203] & Below | 1 | [2] |
| 13 | 0025 | 811498 | O-RING | (4.2L) [0L099524] & Below | 1 | [3] |
| 13 | 0025 | 884028 | O-RING | (2.8L) [0L098204] & Up | 1 | |
| 13 | 0025 | 884028 | O-RING | (4.2L) [0L099525] & Up | 1 | |
| 14 | 0010 | 879711 | SCREW | | 6 | |
| 15 | 0000 | 854108 | BRACKET | | 1 | |
| 16 | 0010 | 811457 | SCREW (M10 x 35) | | 2 | |
| 17 | 0013 | 809932110 | LOCKWASHER | | 2 | |
| 18 | 0010 | 811456 | SCREW | | 2 | |
| 19 | 0013 | 811460 | LOCKWASHER | | 2 | |
| 20 | 0012 | 811455 | WASHER | | 2 | |
| 21 | 0000 | 881787 | HOUSING | | 1 | |
| 22 | 0016 | 855471 | STUD (M10 x 20) | | 8 | |
| 23 | 0011 | 854122 | NUT (M10) | | 8 | |
| 24 | 0087 | 854109 | SENSOR Engine RPM | | 1 | |
| 25 | 0010 | 854205 | SCREW (M6 x 14) | | 1 | |
| 26 | 0012 | 811450 | WASHER | | 1 | |
| 27 | 0000 | 803610 | DRIVEPLATE ASSEMBLY | | 1 | |
| 28 | 0010 | 855470 | SCREW (M10 x 20) | | 6 | |
| - | 0027 | 855451 | GASKET SET Overhaul | (2.8L) [0K144109] THRU [0L098058] | 1 | |
| - | 0027 | 879684 | GASKET SET Overhaul | (2.8L) [0L098059] & Up | 1 | |
| - | 0027 | 855448 | GASKET SET Overhaul | (4.2L) [0K144114] THRU [0L098231] | 1 | |
| - | 0027 | 881742 | GASKET SET Overhaul | (4.2L) [0L098032] & Up | 1 | |

PART NOTES:

- [1] - COMPONENT OF OVERHAUL GASKET SET 855451
COMPONENT OF OVERHAUL GASKET SET 855488
COMPONENT OF OVERHAUL GASKET SET 879684
COMPONENT OF OVERHAUL GASKET SET 881742
- [2] - COMPONENT OF OVERHAUL GASKET SET 855451
COMPONENT OF OVERHAUL GASKET SET 879684

FLYWHEEL HOUSING (INBOARD)

FLYWHEEL HOUSING (INBOARD)



12821

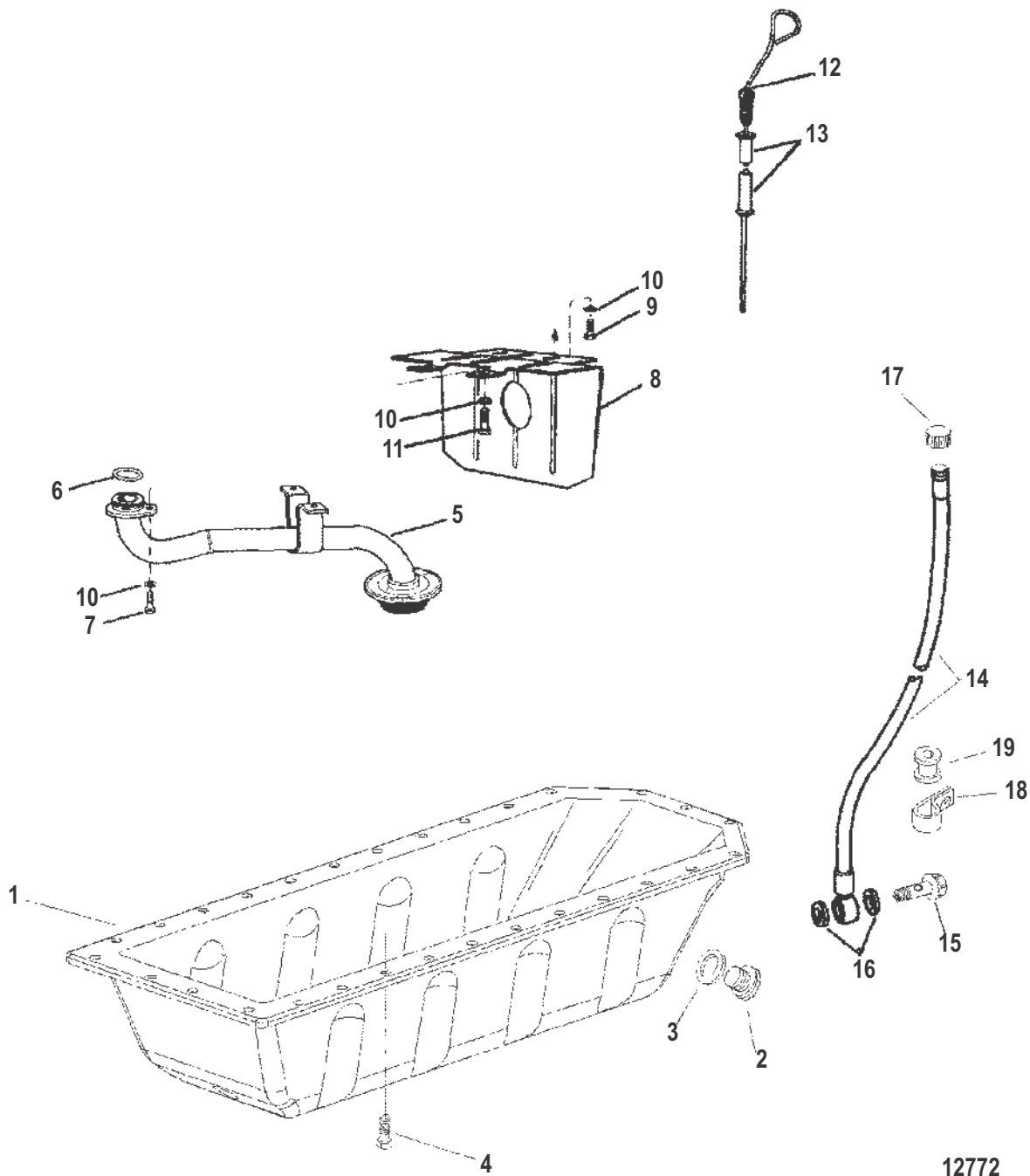
FLYWHEEL HOUSING (INBOARD)

Cat.# 90-854190

FLYWHEEL HOUSING (INBOARD)

- [3] - COMPONENT OF OVERHAUL GASKET SET 855488
- COMPONENT OF OVERHAUL GASKET SET 881742

OIL PAN



12772

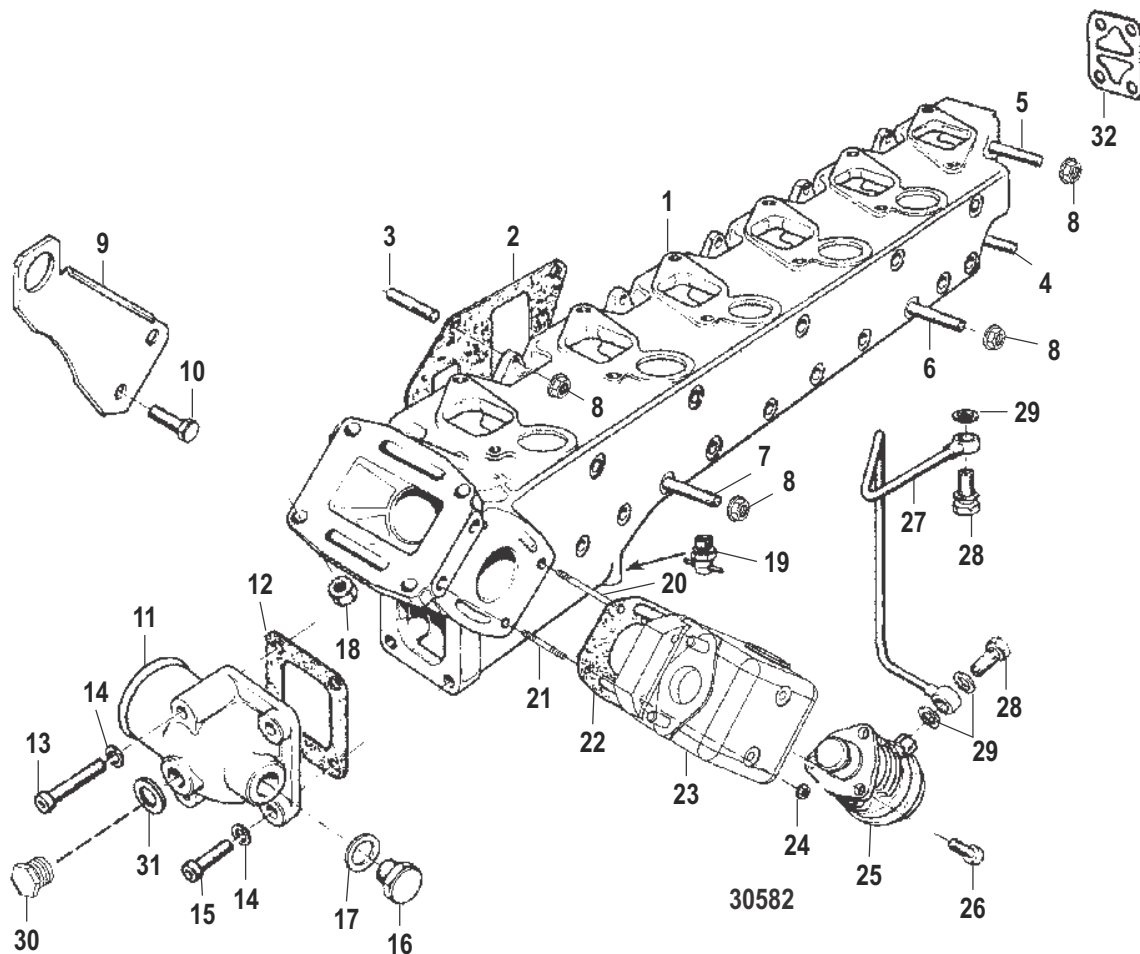
OIL PAN

| Ref # | Part Class | Part Number | Description | Comments | Qty | Note |
|-------|------------|-------------|--|--------------------------------------|-------|------|
| 1 | 0000 | 855472 | PAN Oil | (2.8L) | 1 | |
| 1 | 0000 | 854110 | PAN Oil | (4.2L) | 1 | |
| NS | 0092 | 809825 | RTV SILICONE (3 Ounce Tube) Metallic Blue | | 1 | |
| 2 | 0010 | 809919131 | SCREW (M22 x 1.5) | | 2 | |
| 3 | 0012 | 809963354 | WASHER | | 2 | [1] |
| 4 | 0010 | 855473 | SCREW (M6 x 12) | | 23/29 | |
| 5 | 0000 | 855474 | TUBE | (2.8L) | 1 | |
| 5 | 0000 | 816554 | TUBE | (4.2L) | 1 | |
| 6 | 0025 | 801333415 | O-RING | | 1 | [1] |
| 7 | 0010 | 809913466 | SCREW (M6 x 16) | | 1 | |
| 8 | 0000 | 854112 | DEFLECTOR | | 1 | |
| 9 | 0010 | 854113 | SCREW (M6 x 14) | | 2 | |
| 10 | 0012 | 809931044 | WASHER | | 5 | |
| 11 | 0010 | 809913466 | SCREW (M6 x 16) | | 2 | |
| 12 | 0000 | 855476 | DIPSTICK | (2.8L) | 1 | |
| 12 | 0000 | 854114 | DIPSTICK | (4.2L) | 1 | |
| 13 | 0000 | 855477 | TUBE | (2.8L) | 1 | |
| 13 | 0000 | 854115 | TUBE | (4.2L) | 1 | |
| 14 | 0032 | 807226 | HOSE | | 1 | |
| 15 | 0010 | 811410 | SCREW (M14) | | 1 | |
| 16 | 0012 | 809963201 | WASHER | | 2 | [1] |
| 17 | 0000 | 807011 | CAP | | 1 | |
| 18 | 0054 | 811467 | CLIP | | 1 | |
| 19 | 0025 | 854052 | SLEEVE | | 1 | |
| - | 0027 | 855451 | GASKET SET Overhaul | (2.8L) [0K144109] THRU [0L098058] | 1 | |
| - | 0027 | 879684 | GASKET SET Overhaul | (2.8L) [0L098059] & Up | 1 | |
| - | 0027 | 855448 | GASKET SET Overhaul | (4.2L) [0K144114] THRU [0L098231] | 1 | |
| - | 0027 | 881742 | GASKET SET Overhaul | (4.2L) [0L098032] & Up | 1 | |

PART NOTES:

- [1] - COMPONENT OF OVERHAUL GASKET SET 855451
COMPONENT OF OVERHAUL GASKET SET 855488
COMPONENT OF OVERHAUL GASKET SET 879684
COMPONENT OF OVERHAUL GASKET SET 881742

EXHAUST MANIFOLD



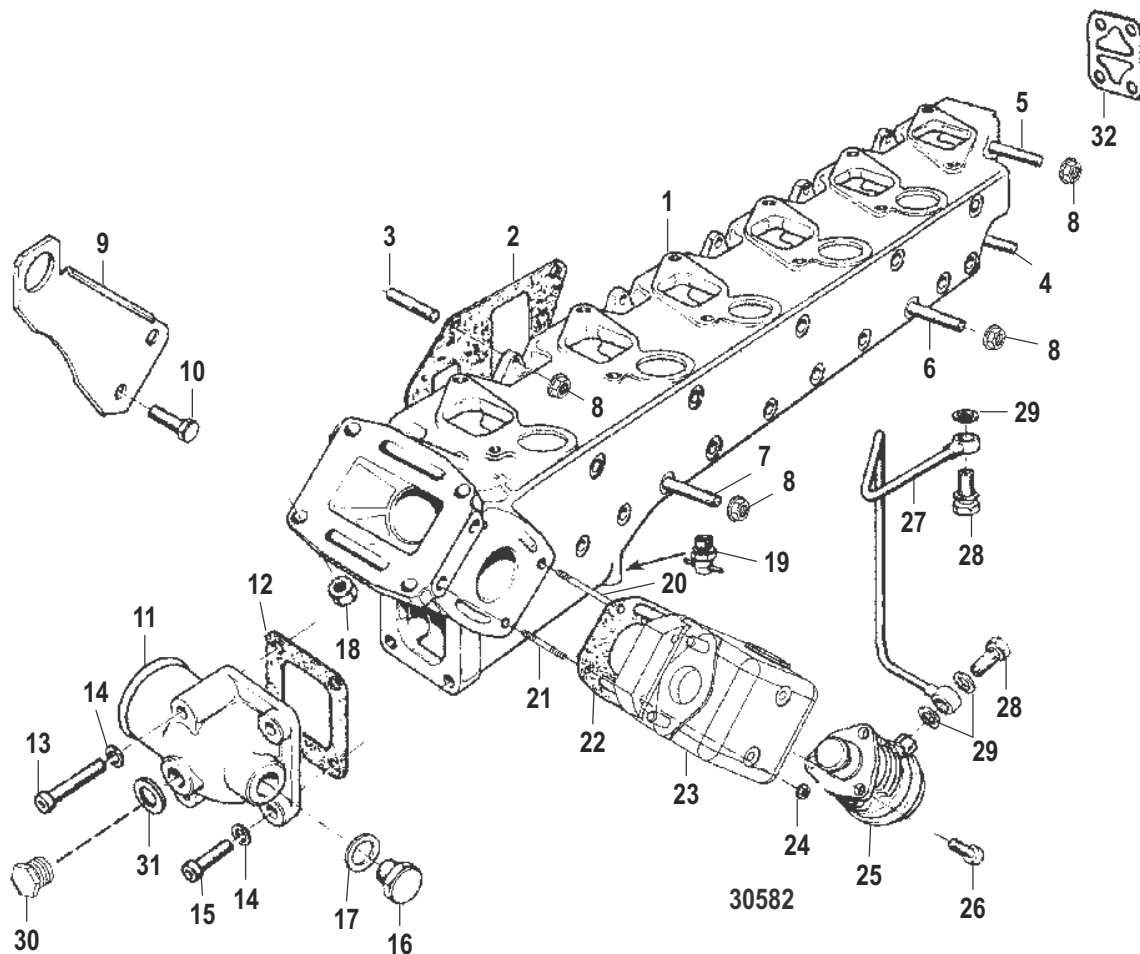
EXHAUST MANIFOLD

EXHAUST MANIFOLD

| Ref # | Part Class | Part Number | Description | Comments | Qty | Note |
|-------|------------|-------------|--------------------------|-----------------------------------|-------|------|
| 1 | 0000 | 879717 | MANIFOLD Exhaust | (2.8L) | 1 | |
| 1 | 0000 | 854116T | MANIFOLD | (4.2L) | 1 | |
| 2 | 0027 | 854117 | GASKET Exhaust Manifold | (2.8L) | 4 | [1] |
| 2 | 0027 | 854117 | GASKET Exhaust Manifold | (4.2L) | 6 | [2] |
| 3 | 0016 | 811383 | STUD (M8 x 20) | | 4/6 | |
| 4 | 0016 | 801763451 | STUD (M8 x 70) | | 1 | |
| 5 | 0016 | 801333451 | STUD (M8 x 90) | | 1 | |
| 6 | 0016 | 806678 | STUD (M8 x 150) | | 7/13 | |
| 7 | 0016 | 801333448 | STUD (M8 x 140) | | 3 | |
| 8 | 0011 | 854037 | NUT (M8) | | 16/24 | |
| 9 | 0000 | 881716 | LIFTING EYE | | 1 | |
| 10 | 0010 | 854118 | SCREW (M8 x 20) | | 2 | |
| 11 | 0000 | 854119 | COVER | | 1 | |
| 12 | 0027 | 854120 | GASKET | | 1 | [3] |
| 13 | 0010 | 854121 | SCREW (M6 x 60) | | 2 | |
| 14 | 0012 | 811450 | WASHER | | 4 | |
| 15 | 0010 | 809919926 | SCREW (M6 x 25) | | 2 | |
| 16 | 0010 | 809919131 | SCREW (M22 x 1.5) | | 1 | |
| 17 | 0012 | 809963354 | WASHER | | 1 | |
| 18 | 0011 | 854122 | NUT (M10) | | 4 | |
| 19 | 0022 | 801331684 | FITTING Drain | | 1 | |
| 20 | 0016 | 854123 | STUD (M6) | | 2 | |
| 21 | 0016 | 854124 | STUD (M6 x 25) | | 2 | |
| 22 | 0027 | 879720 | GASKET | | 1 | [3] |
| 23 | 0000 | 854125 | WASTEGATE | | 1 | |
| 24 | 0011 | 854032 | NUT (M6) | | 4 | |
| 25 | 0000 | 855479 | VALVE | (2.8L) | 1 | |
| 25 | 0000 | 854126 | VALVE | (4.2L) | 1 | |
| 26 | 0010 | 809919621 | SCREW | | 3 | |
| 27 | 0032 | 811444 | LINE | | 1 | |
| 28 | 0010 | 801761165 | BOLT Banjo (M8 x 1.00) | | 2 | |
| 29 | 0025 | 809963042 | O-RING | | 4 | [3] |
| 30 | 0010 | 809919114 | PLUG | | 1 | |
| 31 | 0012 | 809963201 | WASHER | | 1 | [3] |
| 32 | 0027 | 854127 | GASKET | | 1 | [3] |
| - | 0027 | 855451 | GASKET SET Overhaul | (2.8L) [0K144109] THRU [0L098058] | 1 | |
| - | 0027 | 879684 | GASKET SET Overhaul | (2.8L) [0L098059] & Up | 1 | |
| - | 0027 | 855448 | GASKET SET Overhaul | (4.2L) [0K144114] THRU [0L098231] | 1 | |
| - | 0027 | 881742 | GASKET SET Overhaul | (4.2L) [0L098032] & Up | 1 | |
| - | 0027 | 855450 | GASKET SET Cylinder Head | (2.8L) [0K144109] THRU [0L098058] | 1 | |
| - | 0027 | 883962 | GASKET SET Cylinder Head | (2.8L) [0L098059] & Up | 1 | |
| - | 0027 | 855449 | GASKET SET Cylinder Head | (4.2L) [0K144114] THRU [0L098231] | 1 | |
| - | 0027 | 881743 | GASKET SET Cylinder Head | (4.2L) [0L0980232] & Up | 1 | |

EXHAUST MANIFOLD

EXHAUST MANIFOLD



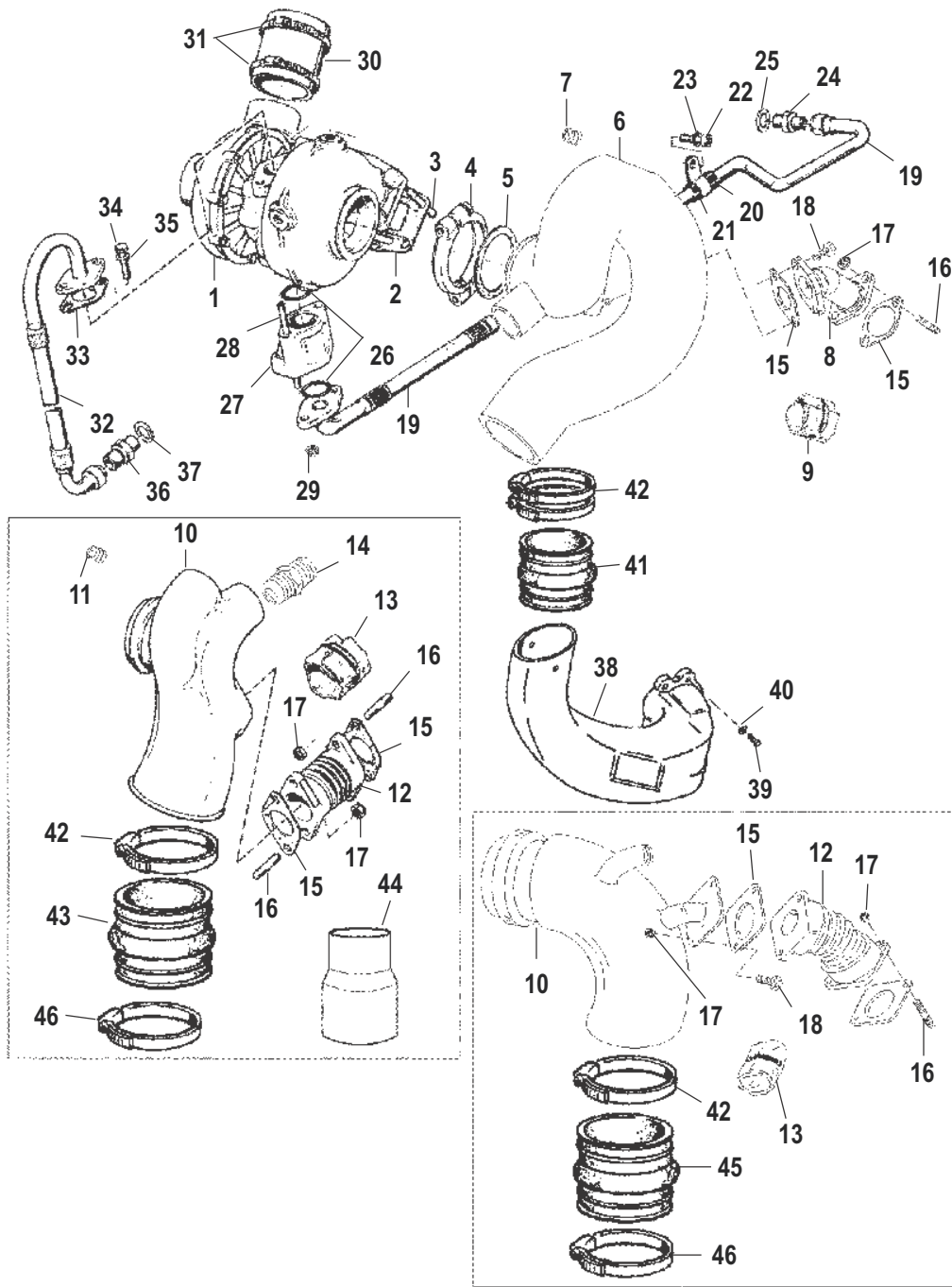
EXHAUST MANIFOLD

EXHAUST MANIFOLD

PART NOTES:

- [1] - COMPONENT OF OVERHAUL GASKET SET 855451
COMPONENT OF OVERHAUL GASKET SET 879684
COMPONENT OF CYLINDER HEAD GASKET SET855450
COMPONENT OF CYLINDER HEAD GASKET SET883962
- [2] - COMPONENT OF OVERHAUL GASKET SET 855488
COMPONENT OF OVERHAUL GASKET SET 881742
COMPONENT OF CYLINDER HEAD GASKET SET855449
COMPONENT OF CYLINDER HEAD GASKET SET881743
- [3] - COMPONENT OF OVERHAUL GASKET SET 855451
COMPONENT OF OVERHAUL GASKET SET 855488
COMPONENT OF OVERHAUL GASKET SET 879684
COMPONENT OF OVERHAUL GASKET SET 881742

TURBO CHARGER/EXHAUST ELBOW



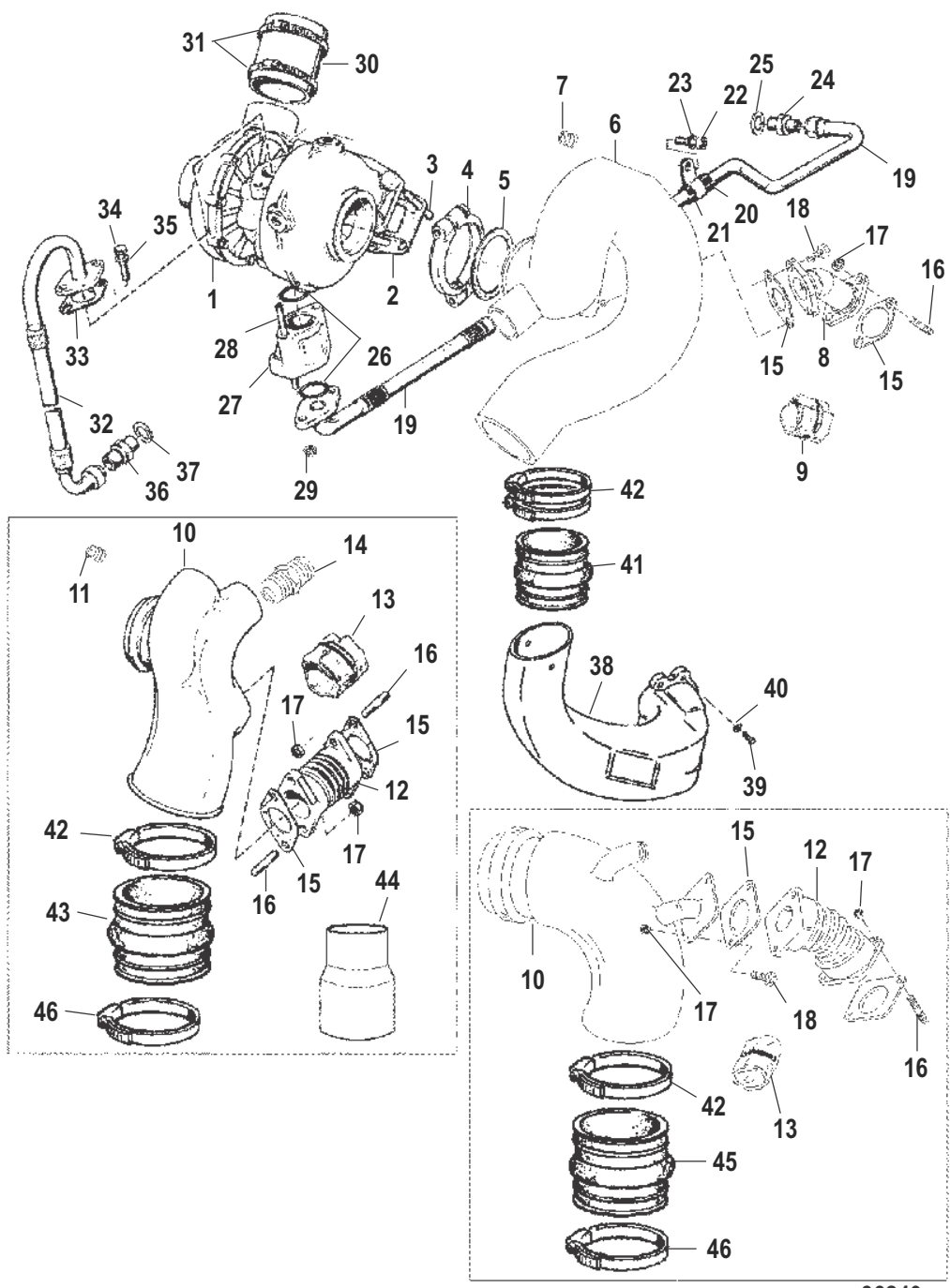
36240

TURBO CHARGER/EXHAUST ELBOW

| Ref # | Part Class | Part Number | Description | Comments | Qty | Note |
|-------|------------|-------------|-------------------------------|--|-----|------|
| 1 | 0000 | 854212 | TURBOCHARGER | (2.8L) | 1 | |
| 1 | 0000 | 854128 | TURBOCHARGER | (4.2L) | 1 | |
| 2 | 0027 | 854129 | GASKET | | 1 | [1] |
| 3 | 0016 | 801333453 | STUD (M10 x 30) | | 4 | |
| 4 | 0054 | 801763272 | CLAMP | | 1 | |
| 5 | 0027 | 817089 | GASKET | | 1 | [1] |
| 6 | 0000 | 805265A1 | ELBOW Exhaust | (STERNDRIVE) | 1 | |
| 7 | 0022 | 36382 | FITTING (.250-18 x .62) Brass | (STERNDRIVE) | 1 | |
| 8 | 0000 | 807049T | FLEX TUBE | (STERNDRIVE) | 1 | |
| 9 | 0000 | 855483 | BLANKET | (STERNDRIVE) | 1 | |
| 10 | 0000 | 805602A2 | ELBOW Exhaust | (INBOARD DESIGN 1) | 1 | |
| 10 | 0000 | 803608 | ELBOW 65 Degree Exhaust | (65 DEG. DOWN ANGLE)(INBOARD DESIGN 2) | 1 | |
| 10 | 0000 | 803609 | ELBOW Exhaust (33 Degree) | (DOWN ANGLE)(INBOARD DESIGN 2) | 1 | |
| 11 | 0022 | 91016 | PLUG | (INBOARD DESIGN 1) | 1 | |
| 12 | 0000 | 807050T | FLEX TUBE | (INBOARD DESIGN 1) | 1 | |
| 12 | 0000 | 855482 | FLEX TUBE | (INBOARD DESIGN 2) | 1 | |
| 13 | 0000 | 817078 | BLANKET | (INBOARD DESIGN 1) | 1 | |
| 13 | 0000 | 855483 | BLANKET | (INBOARD DESIGN 2) | 1 | |
| 14 | 0022 | 805315 | CONNECTOR | (INBOARD DESIGN 1) | 1 | |
| 15 | 0027 | 879721 | GASKET | | 2 | [1] |
| 16 | 0016 | 811383 | STUD (M8 x 20) | | 2 | |
| 17 | 0011 | 854037 | NUT (M8) | | 2 | |
| 18 | 0010 | 854118 | SCREW (M8 x 20) | (STERNDRIVE) | 2 | |
| 18 | 0010 | 855520 | SCREW (M8 x 25) | (INBOARD DESIGN 2) | 2 | |
| 19 | 0032 | 855480 | PIPE | (2.8L) | 1 | |
| 19 | 0032 | 854130 | PIPE | (4.2L) | 1 | |
| 20 | 0023 | 811466 | SLEEVE | | 1 | |
| 21 | 0054 | 811467 | CLIP | | 1 | |
| 22 | 0010 | 811463 | SCREW | | 1 | |
| 23 | 0013 | 811460 | LOCKWASHER | | 1 | |
| 24 | 0022 | 801333464 | FITTING | | 1 | |
| 25 | 0025 | 809963342 | O-RING | | 1 | [1] |
| 26 | 0025 | 811461 | O-RING | | 2 | [1] |
| 27 | 0000 | 854131 | HOUSING | | 1 | |
| 28 | 0016 | 801333451 | STUD (M8 x 90) | | 2 | |
| 29 | 0011 | 854037 | NUT (M8) | | 2 | |
| 30 | 0032 | 891889 | HOSE | | 1 | |
| 31 | 0054 | 811435 | CLAMP | | 2 | |
| 32 | 0032 | 854132 | PIPE | | 1 | |
| 33 | 0027 | 854133 | GASKET | | 1 | [1] |
| 34 | 0010 | 811448 | SCREW | | 2 | |
| 35 | 0013 | 811460 | LOCKWASHER | | 2 | |
| 36 | 0022 | 801763389 | FITTING | | 1 | |

TURBO CHARGER/EXHAUST ELBOW

TURBO CHARGER/EXHAUST ELBOW



36240

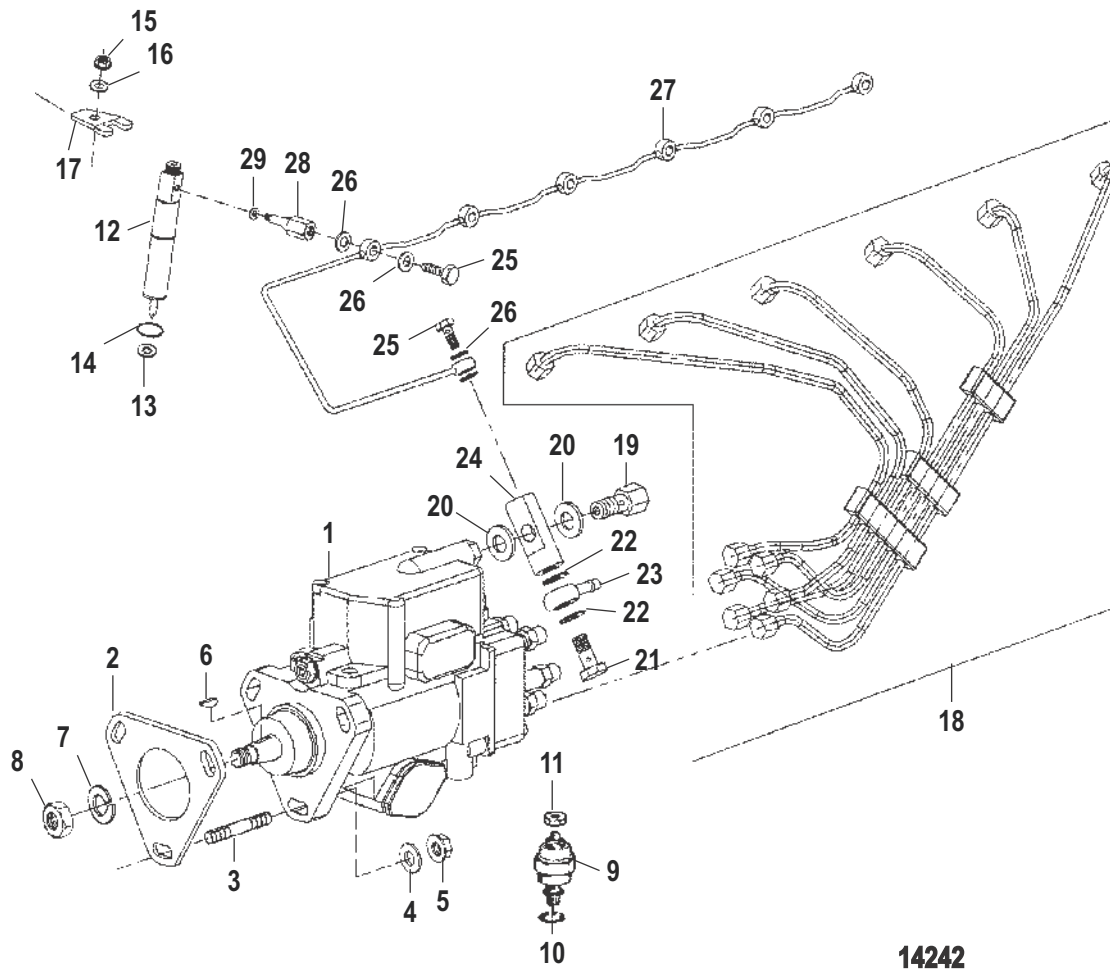
TURBO CHARGER/EXHAUST ELBOW

| Ref # | Part Class | Part Number | Description | Comments | Qty | Note |
|-------|------------|-------------|------------------------|--------------------------------------|-----|------|
| 37 | 0012 | 809963201 | WASHER | | 1 | [1] |
| 38 | 0000 | 805013T1 | PIPE Exhaust | (STERNDRIVE) | 1 | |
| 39 | 0010 | 58640 | SCREW (.375-16 x 1.25) | (STERNDRIVE) | 4 | |
| 40 | 0013 | 41471 | LOCKWASHER (.375) | (STERNDRIVE) | 4 | |
| 41 | 0032 | 44348T | TUBE | (STERNDRIVE) | 1 | |
| 42 | 0054 | 815504272 | CLAMP Worm Gear | | 2 | |
| 43 | 0032 | 815529 | TUBE Exhaust | (INBOARD DESIGN 1) | 1 | |
| 44 | 0000 | 818184T | ADAPTER Exhaust | (INBOARD DESIGN 1) | 1 | |
| 45 | 0032 | 860602 | TUBE Exhaust | (INBOARD DESIGN 2) | 1 | |
| 46 | 0054 | 815504272 | CLAMP Worm Gear | | 2 | |
| - | 0027 | 855451 | GASKET SET Overhaul | (2.8L) [0K098059] THRU [0L098059] | 1 | |
| - | 0027 | 879684 | GASKET SET Overhaul | (2.8L) [0L098059] & Up | 1 | |
| - | 0027 | 855448 | GASKET SET Overhaul | (4.2L) [0K144114] THRU [0L098231] | 1 | |
| - | 0027 | 881742 | GASKET SET Overhaul | (4.2L) [0L098032] & Up | 1 | |

PART NOTES:

- [1] - COMPONENT OF OVERHAUL GASKET SET 855451
COMPONENT OF OVERHAUL GASKET SET 855488
COMPONENT OF OVERHAUL GASKET SET 879684
COMPONENT OF OVERHAUL GASKET SET 881742

INJECTION PUMP, NOZZLE AND LINES



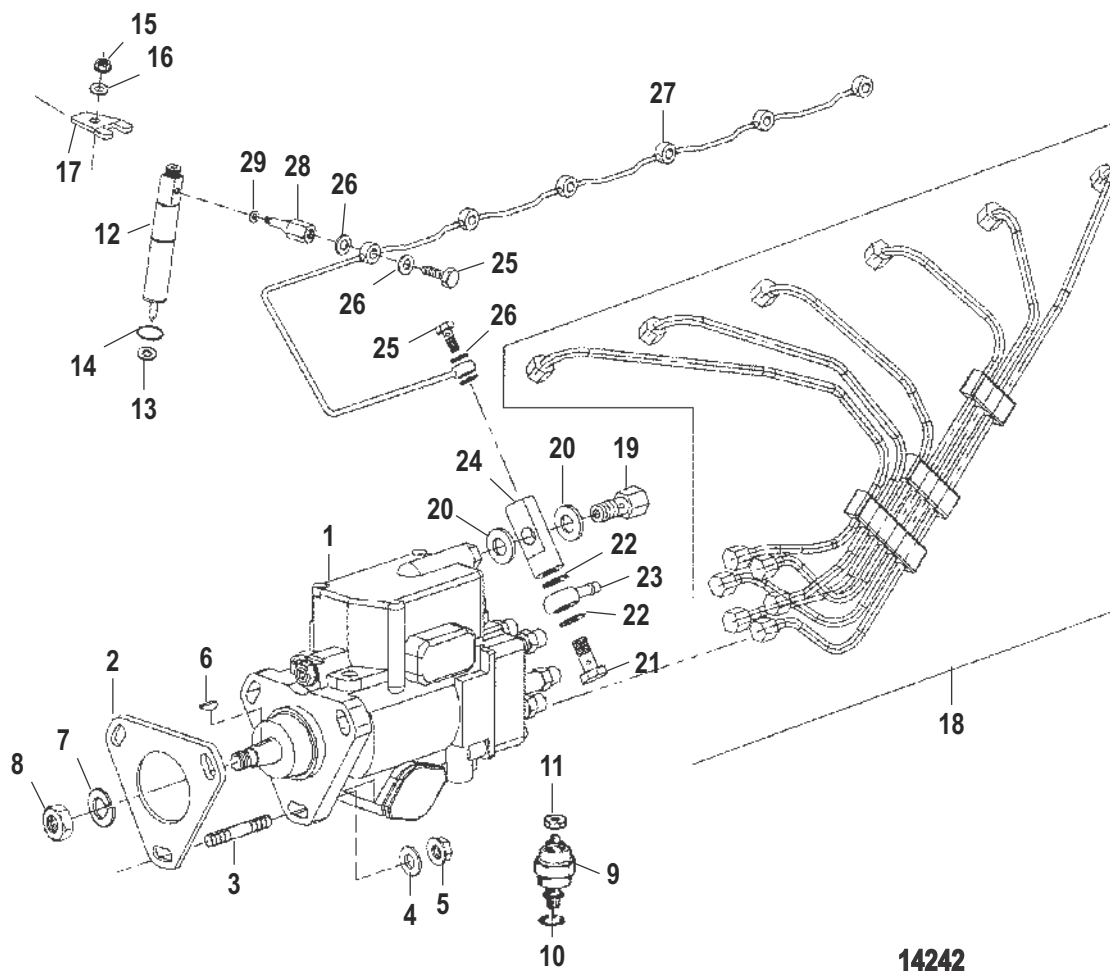
14242

INJECTION PUMP, NOZZLE AND LINES

| Ref # | Part Class | Part Number | Description | Comments | Qty | Note |
|-------|------------|-------------|--------------------------------|-----------------------------------|-----|------|
| 1 | 0000 | 854213 | PUMP Injection | (2.8L) | 1 | |
| 1 | 0000 | 854134 | PUMP Injection | (4.2L) | 1 | |
| 2 | 0027 | 801765017 | GASKET | | 1 | [1] |
| 3 | 0016 | 854135 | STUD (M8 x 30) | | 3 | |
| 4 | 0012 | 811409 | WASHER | | 3 | |
| 5 | 0011 | 854037 | NUT (M8) | | 3 | |
| 6 | 0028 | 854136 | KEY | | 1 | |
| 7 | 0013 | 811482 | LOCKWASHER | | 1 | |
| 8 | 0011 | 854137 | NUT | | 1 | |
| 9 | 0000 | 803623 | VALVE | | 1 | |
| 10 | 0012 | 811407 | WASHER | | 1 | |
| 11 | 0011 | 809922038 | NUT | | 1 | |
| 12 | 0000 | 854138 | INJECTION NOZZLE | | 3/5 | |
| 12 | 0000 | 802654 | INJECTION NOZZLE (#1 CYLINDER) | | 1 | |
| 13 | 0027 | 854142 | GASKET Injector Nozzle | (2.8L) | 4 | [2] |
| 13 | 0027 | 854142 | GASKET Injector Nozzle | (4.2L) | 6 | [3] |
| 14 | 0025 | 854143 | O-RING | (2.8L) | 4 | [2] |
| 14 | 0025 | 854143 | O-RING | (4.2L) | 6 | [3] |
| 15 | 0011 | 854037 | NUT (M8) | | 4/6 | |
| 16 | 0012 | 811455 | WASHER | | 4/6 | |
| 17 | 0000 | 854140 | BRACKET | | 4/6 | |
| 18 | 0032 | 855484 | PRESSURE PIPES ASSEMBLY | (2.8L) | 1 | |
| 18 | 0032 | 855383 | PRESSURE PIPES ASSEMBLY | (4.2L) | 1 | |
| 19 | 0010 | 801761166 | SCREW | | 1 | |
| 20 | 0025 | 809963129 | WASHER | | 2 | [1] |
| 21 | 0010 | 811410 | SCREW (M14) | | 1 | |
| 22 | 0012 | 809963201 | WASHER | | 2 | [1] |
| 23 | 0000 | 801763843 | FITTING | | 1 | |
| 24 | 0000 | 801761163 | CONNECTOR Return | | 1 | |
| 25 | 0010 | 801761165 | BOLT Banjo (M8 x 1.00) | | 5/7 | |
| 26 | 0025 | 809963042 | O-RING | (2.8L) | 10 | [2] |
| 26 | 0025 | 809963042 | O-RING | (4.2L) | 14 | [3] |
| 27 | 0032 | 855485 | PIPE | (2.8L) | 1 | |
| 27 | 0032 | 854141 | PIPE | (4.2L) | 1 | |
| 28 | 0022 | 879704 | ADAPTER Injector Nozzle | | 4/6 | |
| 29 | 0012 | 811411 | WASHER Sealing | (2.8L) | 6 | [2] |
| 29 | 0012 | 811411 | WASHER Sealing | (4.2L) | 4 | [3] |
| - | 0027 | 855451 | GASKET SET Overhaul | (2.8L) [0K144109] THRU [0L098058] | 1 | |
| - | 0027 | 879684 | GASKET SET Overhaul | (2.8L) [0L098059] & Up | 1 | |
| - | 0027 | 855448 | GASKET SET Overhaul | (4.2L) [0K144114] THRU [0L098231] | 1 | |
| - | 0027 | 881742 | GASKET SET Overhaul | (4.2L) [0L098032] & Up | 1 | |
| - | 0027 | 855450 | GASKET SET Cylinder Head | (2.8L) [0K144109] THRU [0L098058] | 1 | |
| - | 0027 | 883962 | GASKET SET Cylinder Head | (2.8L) [0L098059] & Up | 1 | |

INJECTION PUMP, NOZZLE AND LINES

INJECTION PUMP, NOZZLE AND LINES



14242

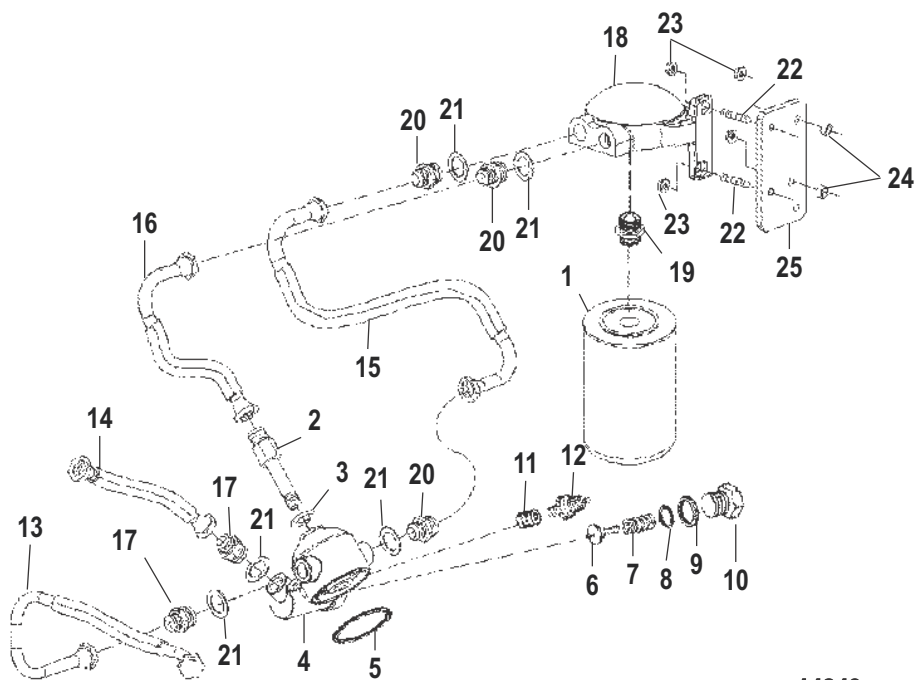
INJECTION PUMP, NOZZLE AND LINES

| Ref # | Part Class | Part Number | Description | Comments | Qty | Note |
|-------|------------|-------------|--------------------------|-----------------------------------|-----|------|
| - | 0027 | 855449 | GASKET SET Cylinder Head | (4.2L) [0K144114] THRU [0L098231] | 1 | |
| - | 0027 | 881743 | GASKET SET Cylinder Head | (4.2L) [0L0980232] & Up | 1 | |

PART NOTES:

- [1] - COMPONENT OF OVERHAUL GASKET SET 855451
 COMPONENT OF OVERHAUL GASKET SET 855488
 COMPONENT OF OVERHAUL GASKET SET 879684
 COMPONENT OF OVERHAUL GASKET SET 881742
- [2] - COMPONENT OF OVERHAUL GASKET SET 855451
 COMPONENT OF OVERHAUL GASKET SET 879684
 COMPONENT OF CYLINDER HEAD GASKET SET855450
 COMPONENT OF CYLINDER HEAD GASKET SET883962
- [3] - COMPONENT OF OVERHAUL GASKET SET 855488
 COMPONENT OF OVERHAUL GASKET SET 881742
 COMPONENT OF CYLINDER HEAD GASKET SET855449
 COMPONENT OF CYLINDER HEAD GASKET SET881743

OIL FILTER AND OIL HOSES

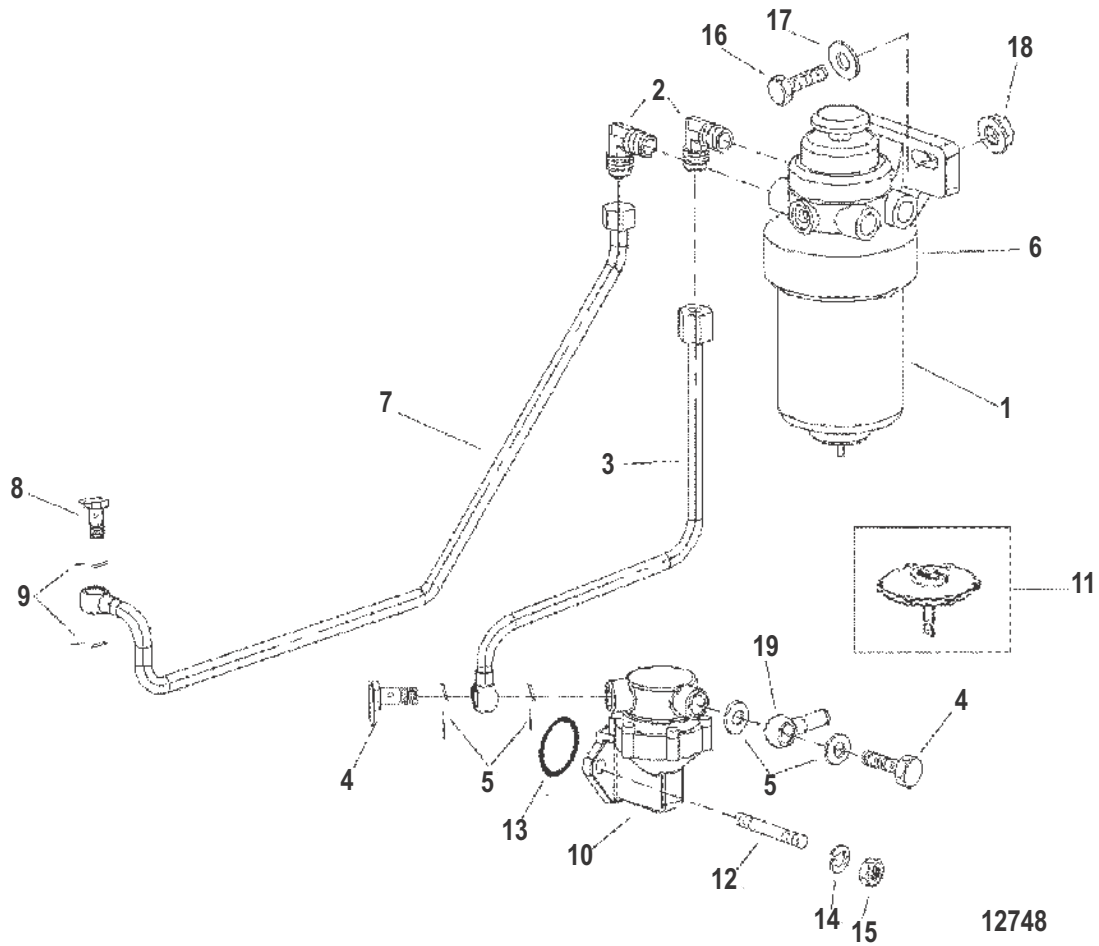


14243

OIL FILTER AND OIL HOSES

| Ref # | Part Class | Part Number | Description | Comments | Qty | Note |
|-------|------------|-------------|------------------------------------|----------|-----|------|
| 1 | 0035 | 19485 | FILTER | | 1 | |
| 2 | 0022 | 854145 | FITTING | | 1 | |
| 3 | 0025 | 809963342 | O-RING | | 1 | |
| 4 | 0000 | 854146 | ADAPTER | | 1 | |
| 5 | 0025 | 805732 | O-RING (2.612 x .103) | | 1 | |
| 6 | 0000 | 816163 | THERMOSTAT | | 1 | |
| 7 | 0024 | 816162 | SPRING | | 1 | |
| 8 | 0000 | 809963467 | SEAL | | 1 | |
| 9 | 0025 | 98277 | SEAL | | 1 | |
| 10 | 0022 | 8069481 | PLUG | | 1 | |
| 11 | 0022 | 64013 | FITTING (.375 Male To .125 Female) | | 1 | |
| 12 | 0087 | 817169 | SWITCH | | 1 | |
| 13 | 0032 | 855487 | HOSE | | 1 | |
| 14 | 0032 | 855488 | HOSE Oil | | 1 | |
| 15 | 0032 | 854149 | HOSE Oil | | 1 | |
| 16 | 0032 | 854150 | HOSE Oil | | 1 | |
| 17 | 0022 | 854151 | FITTING (M18) | | 2 | |
| 18 | 0000 | 854152 | HEADER | | 1 | |
| 19 | 0022 | 854153 | FITTING | | 1 | |
| 20 | 0022 | 854154 | FITTING (M22) | | 3 | |
| 21 | 0012 | 809963354 | WASHER | | 5 | |
| 22 | 0016 | 854156 | STUD (M8 x 25) | | 2 | |
| 23 | 0011 | 854037 | NUT (M8) | | 4 | |
| 24 | 0023 | 854157 | SPACER | | 2 | |
| 25 | 0000 | 854158 | PLATE | | 1 | |

FUEL FILTER



12748

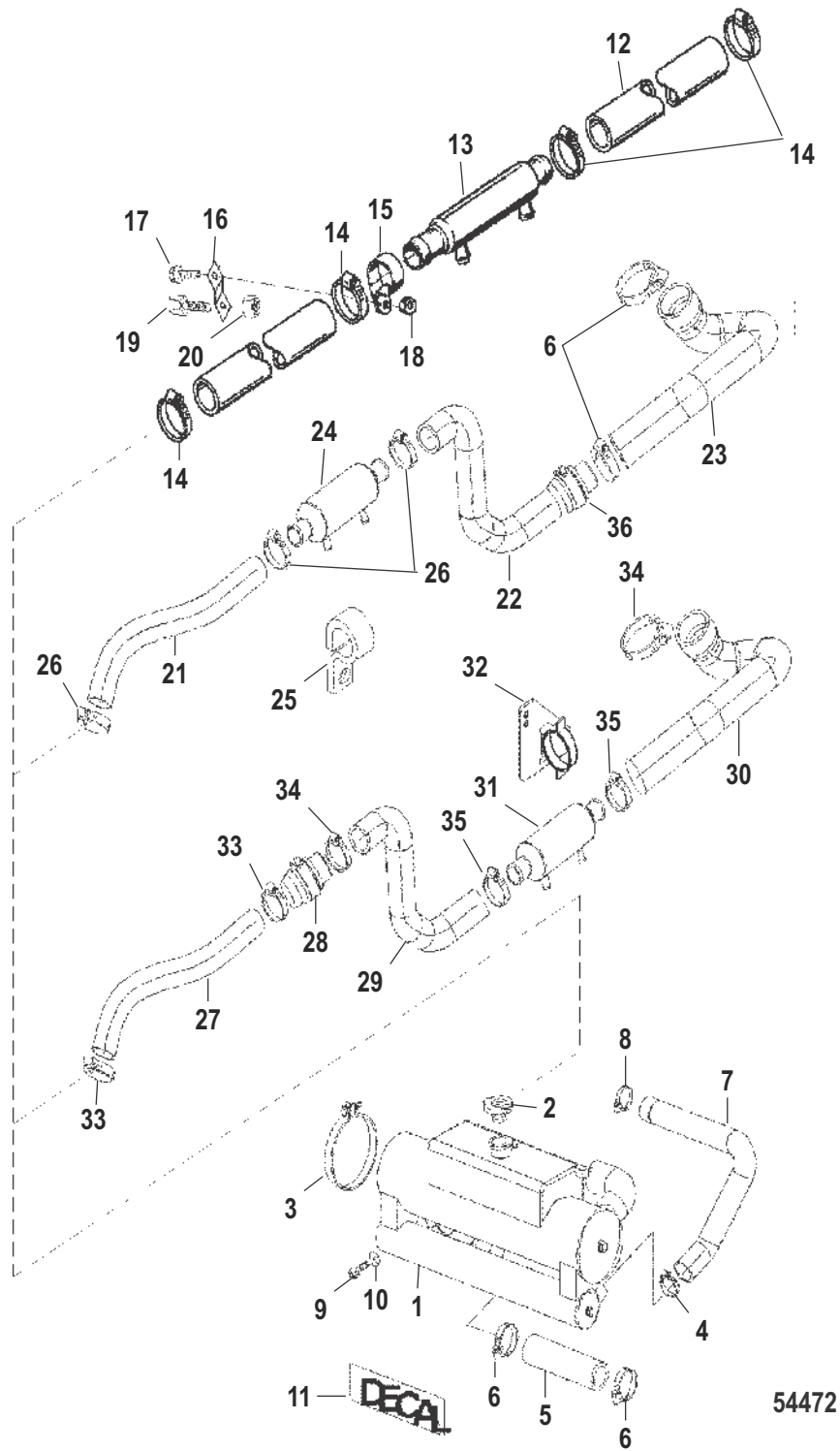
FUEL FILTER

| Ref # | Part Class | Part Number | Description | Comments | Qty | Note |
|-------|------------|-------------|----------------------------|-----------------------------------|-----|------|
| 1 | 0035 | 807256T | FILTER Fuel | | 1 | |
| 2 | 0022 | 854159 | FITTING (90 Degree) | | 2 | |
| 3 | 0032 | 855489 | LINE Fuel | (2.8L) | 1 | |
| 3 | 0032 | 854160 | LINE Fuel | (4.2L) | 1 | |
| 4 | 0010 | 811410 | SCREW (M14) | | 2 | |
| 5 | 0012 | 809963201 | WASHER | | 4 | [1] |
| 6 | 0035 | 807256T1 | HEADER ASSEMBLY | | 1 | |
| - | 0000 | 861068 | RING Locking - Fuel Filter | | 1 | |
| 7 | 0032 | 855490 | LINE Fuel | (2.8L) | 1 | |
| 7 | 0032 | 854161 | LINE Fuel | (4.2L) | 1 | |
| 8 | 0010 | 811401 | BOLT Banjo (M12) | | 1 | |
| 9 | 0025 | 809963129 | WASHER | | 2 | [1] |
| 10 | 0000 | 811416 | PUMP ASSEMBLY Fuel | | 1 | |
| 11 | 0000 | 801333865 | DIAPHRAGM | | 1 | |
| 12 | 0016 | 811383 | STUD (M8 x 20) | | 2 | |
| 13 | 0025 | 854162 | O-RING | | 1 | [1] |
| 14 | 0013 | 811418 | LOCKWASHER | | 2 | |
| 15 | 0011 | 811417 | NUT | | 2 | |
| 16 | 0010 | 854155 | SCREW (M10 x 30) | | 2 | |
| 17 | 0012 | 811479 | WASHER | | 2 | |
| 18 | 0011 | 854122 | NUT (M10) | | 2 | |
| 19 | 0000 | 801763843 | FITTING | | 1 | |
| - | 0027 | 855451 | GASKET SET Overhaul | (2.8L) [0K144109] THRU [0L098058] | 1 | |
| - | 0027 | 879684 | GASKET SET Overhaul | (2.8L) [0L098059] & Up | 1 | |
| - | 0027 | 855448 | GASKET SET Overhaul | (4.2L) [0K144114] THRU [0L098231] | 1 | |
| - | 0027 | 881742 | GASKET SET Overhaul | (4.2L) [0L098032] & Up | 1 | |

PART NOTES:

- [1] - COMPONENT OF OVERHAUL GASKET SET 855451
COMPONENT OF OVERHAUL GASKET SET 855488
COMPONENT OF OVERHAUL GASKET SET 879684
COMPONENT OF OVERHAUL GASKET SET 881742

HEAT EXCHANGER AND HOSES



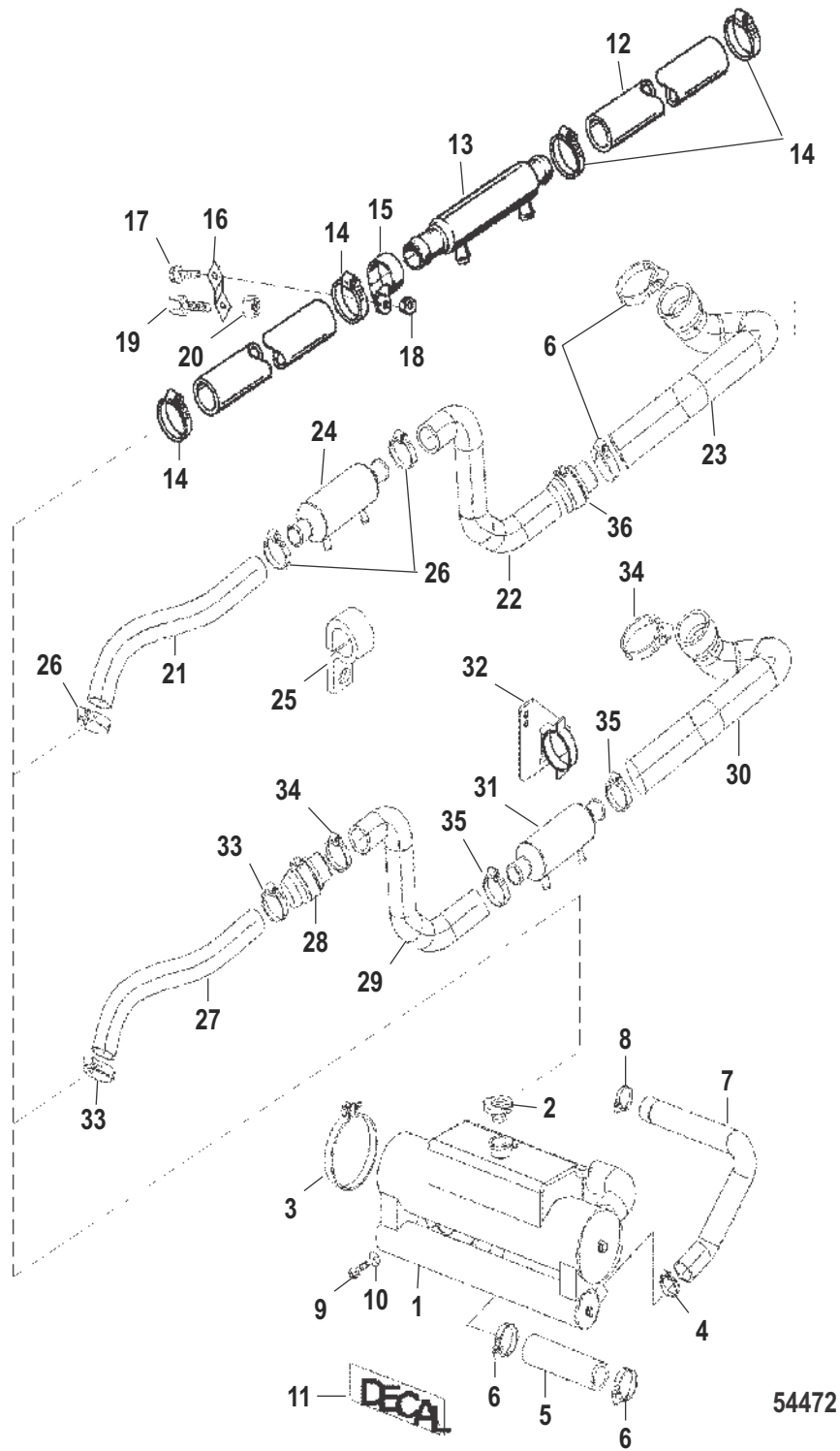
54472

HEAT EXCHANGER AND HOSES

| Ref # | Part Class | Part Number | Description | Comments | Qty | Note |
|-------|------------|-------------|---------------------------------|------------------------------|-----|------|
| 1 | 0000 | 807261 | HEAT EXCHANGER | | 1 | |
| 2 | 0036 | 808108 | CAP | | 1 | |
| - | 0097 | 806000 | ANODE | | 1 | |
| - | 0010 | 88743 | SCREW (.312-18 x .500) | | 2 | |
| - | 0000 | 806002A1 | END CAP ASSEMBLY | | 2 | |
| - | 0027 | 806882 | GASKET | | 2 | |
| - | 0010 | 846109 | SCREW (.375-16 x .875) | | 2 | |
| - | 0000 | 860319A1 | END COVER | | 2 | |
| - | 0027 | 806883 | GASKET | | 2 | |
| 3 | 0054 | 884016 | CLAMP | (2.8L) | 2 | |
| 3 | 0054 | 855491 | CLAMP | (4.2L) | 2 | |
| 4 | 0054 | 815504220 | CLAMP Worm Gear | (2.8L) | 1 | |
| 5 | 0032 | 805743 | HOSE | | 1 | |
| 6 | 0054 | 815504232 | CLAMP Worm Gear (2.50 Diameter) | | 2 | |
| 7 | 0032 | 805740 | HOSE | | 1 | |
| 8 | 0054 | 815504228 | CLAMP Worm Gear | | 1 | |
| 9 | 0010 | 809919131 | SCREW (M22 x 1.5) | | 1 | |
| 10 | 0012 | 809963354 | WASHER | | 1 | [1] |
| 11 | 0037 | 861455 | DECAL | (2.8L) | 1 | |
| 11 | 0037 | 861454 | DECAL | (4.2L) | 1 | |
| 12 | 0032 | 806548440 | HOSE (Cut to Length) | 4.2L (DESIGN 1) MIE | 2 | |
| 13 | 0000 | 63832A1 | COOLER | 4.2L (DESIGN 1) MIE | 1 | |
| 14 | 0054 | 815504220 | CLAMP Worm Gear | 4.2L (DESIGN 1) MIE | 4 | |
| 15 | 0054 | 18904 | CLIP | 4.2L (DESIGN 1) MIE | 2 | |
| 16 | 0000 | 801761589 | BRACKET | 4.2L (DESIGN 1) MIE | 2 | |
| 17 | 0010 | 4007154 | SCREW (M8 x 30) | 4.2L (DESIGN 1) MIE | 2 | |
| 18 | 0011 | 400213 | NUT (M8) Stainless Steel | 4.2L (DESIGN 1) MIE | 2 | |
| 19 | 0000 | 805324 | STUD Extension | 4.2L (DESIGN 1) MIE | 2 | |
| 20 | 0011 | 401388 | NUT (M8) Stainless Steel | 4.2L (DESIGN 1) MIE | 2 | |
| 21 | 0032 | 855492 | HOSE | 2.8L STERN DRIVE | 1 | |
| 21 | 0032 | 806548440 | HOSE | 4.2L STERN DRIVE | 1 | |
| 22 | 0032 | 855493 | HOSE | 2.8L STERN DRIVE | 1 | |
| 22 | 0032 | 807423 | HOSE | 4.2L STERN DRIVE | 1 | |
| 23 | 0032 | 807001 | HOSE | 2.8L AND 4.2L STERN DRIVE | 1 | |
| 24 | 0000 | 99356A2 | COOLER ASSEMBLY | 2.8L AND 4.2L STERN DRIVE | 1 | |
| 25 | 0054 | 18904 | CLIP | 2.8L AND 4.2L STERN DRIVE | 2 | |
| 26 | 0054 | 815504220 | CLAMP Worm Gear | 2.8L AND 4.2L STERN DRIVE | 4 | |
| 27 | 0032 | 803172 | HOSE | 2.8L (DESIGN 2) MIE | 1 | |
| 27 | 0032 | 855495 | HOSE | 4.2L (DESIGN 2) MIE | 1 | |
| 28 | 0000 | 855498 | INSERT | 2.8L AND 4.2L (DESIGN 2) MIE | 1 | |
| 29 | 0032 | 803171 | HOSE | 2.8L (DESIGN 2) MIE | 1 | |
| 29 | 0032 | 855494 | HOSE | 4.2L (DESIGN 2) MIE | 1 | |

HEAT EXCHANGER AND HOSES

HEAT EXCHANGER AND HOSES



54472

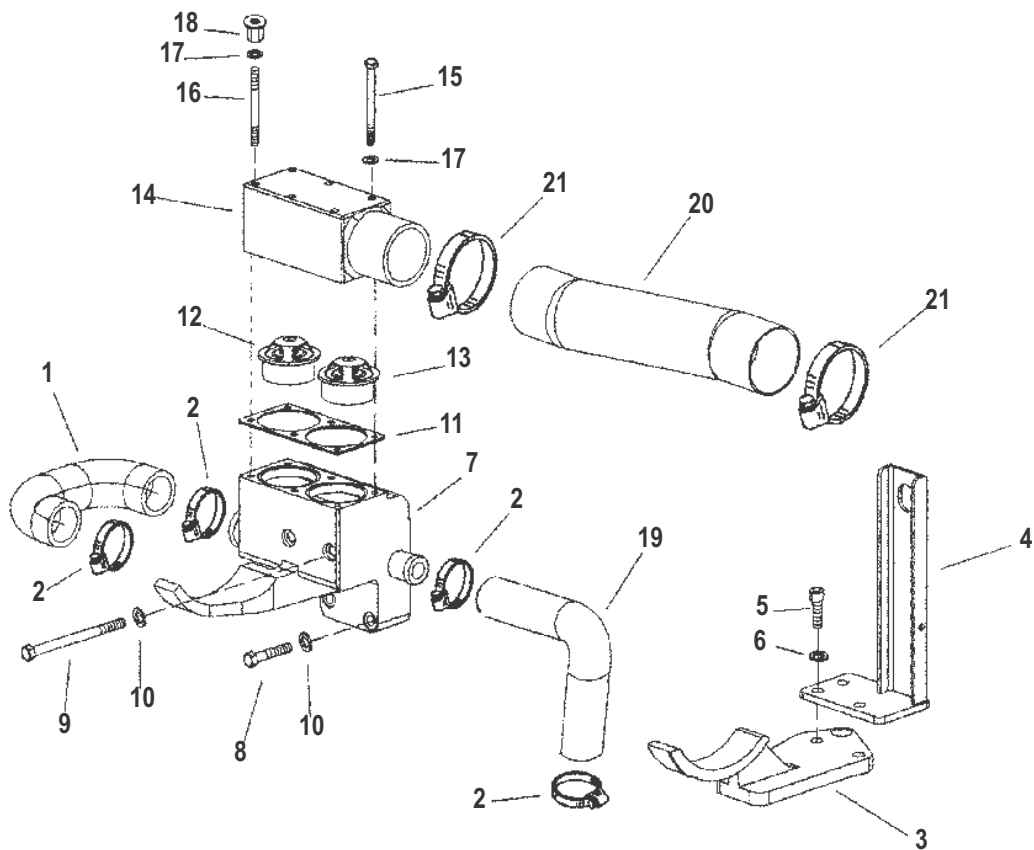
HEAT EXCHANGER AND HOSES

| Ref # | Part Class | Part Number | Description | Comments | Qty | Note |
|-------|------------|-------------|---------------------------------|-----------------------------------|-----|------|
| 30 | 0032 | 883972 | HOSE | (D2.8L)(DESIGN 2)(MIE) | 1 | |
| 30 | 0032 | 855496 | HOSE | (D4.2L)(DESIGN 2)(MIE) | 1 | |
| 31 | 0000 | 855497 | COOLER | 2.8L AND 4.2L (DESIGN 2) MIE | 1 | |
| 32 | 0054 | 855500 | CLAMP ASSEMBLY | 2.8L (DESIGN 2) MIE | 1 | |
| 32 | 0054 | 855499 | CLAMP ASSEMBLY | 4.2L (DESIGN 2) MIE | 1 | |
| 33 | 0054 | 815504222 | CLAMP Worm Gear (1.98 Diameter) | 2.8L AND 4.2L (DESIGN 2) MIE | 2 | |
| 34 | 0054 | 801333457 | CLAMP | 2.8L (DESIGN 2) MIE | 2 | |
| 34 | 0054 | 815504224 | CLAMP Worm Gear | 4.2L (DESIGN 2) MIE | 2 | |
| 35 | 0054 | 815504336 | CLAMP Worm Gear | 2.8L AND 4.2L (DESIGN 2) MIE | 2 | |
| 36 | 0032 | 896332092 | HOSE Adapter | | 1 | |
| - | 0027 | 855451 | GASKET SET Overhaul | (2.8L) [0K144109] THRU [0L098058] | 1 | |
| - | 0027 | 879684 | GASKET SET Overhaul | (2.8L) [0L098059] & Up | 1 | |
| - | 0027 | 855448 | GASKET SET Overhaul | (4.2L) [0K144114] THRU [0L098231] | 1 | |
| - | 0027 | 881742 | GASKET SET Overhaul | (4.2L) [0L098032] & Up | 1 | |
| - | 0000 | 877390A1 | VIBRATION KIT | (2.8L) [0L363100] & Below | 1 | |
| - | 0000 | 877392 | CLAMP Rubber | (For Replacement)(2.8L) | 2 | |

PART NOTES:

- [1] - COMPONENT OF OVERHAUL GASKET SET 855451
COMPONENT OF OVERHAUL GASKET SET 855488
COMPONENT OF OVERHAUL GASKET SET 879684
COMPONENT OF OVERHAUL GASKET SET 881742

THERMOSTAT ASSEMBLY AND HOSES



12819

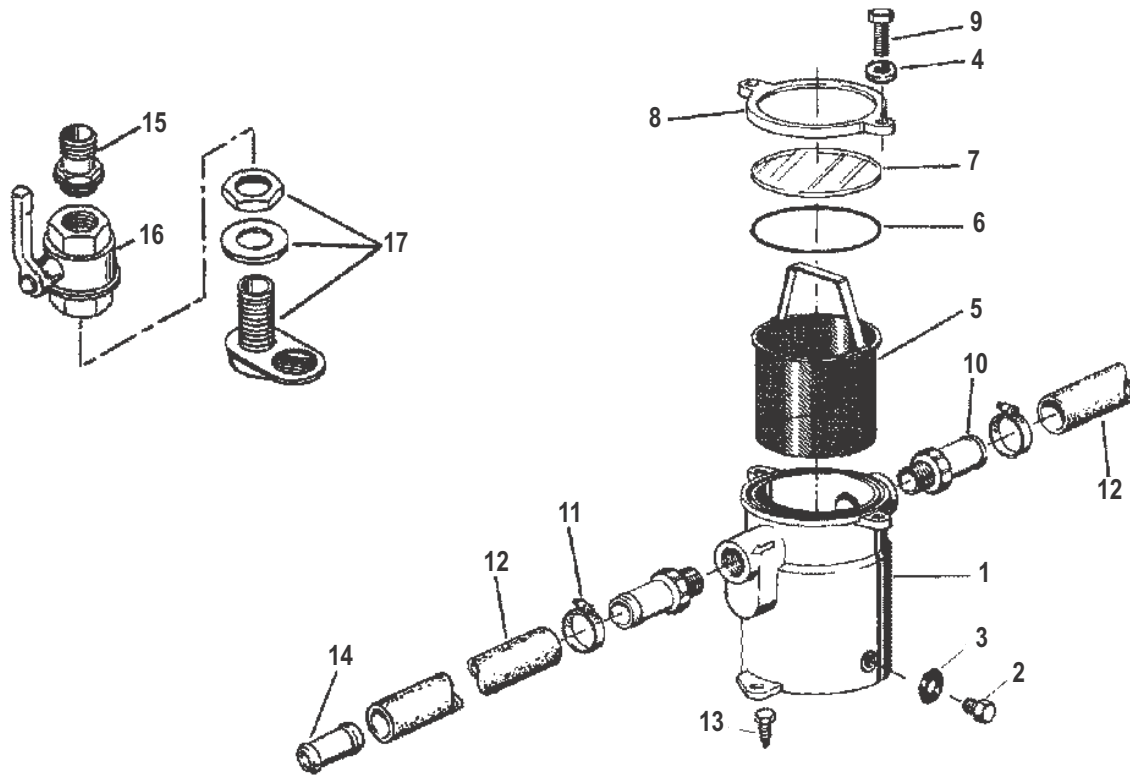
THERMOSTAT ASSEMBLY AND HOSES

| Ref # | Part Class | Part Number | Description | Comments | Qty | Note |
|-------|------------|-------------|-------------------------|-----------------------------------|-----|------|
| 1 | 0032 | 805741 | HOSE | | 1 | |
| 2 | 0054 | 815504220 | CLAMP Worm Gear | | 4 | |
| 3 | 0000 | 854164 | BRACKET | (2.8L) [0L343100] & Below | 1 | |
| 3 | 0000 | 884002 | BRACKET | (2.8L) [0L343101] & Up | 1 | |
| 3 | 0000 | 854164 | BRACKET | (4.2L) | 1 | |
| 4 | 0000 | 854165 | LIFTING EYE | | 1 | |
| 5 | 0010 | 854166 | SCREW (M10 x 35) | | 3 | |
| 6 | 0013 | 400248 | LOCKWASHER (M10) | | 3 | |
| 7 | 0000 | 805681 | HOUSING | (2.8L) [0L343100] & Below | 1 | |
| 7 | 0000 | 884003 | HOUSING Thermostat | (2.8L) [0L0363101] & Up | 1 | |
| 7 | 0000 | 805681 | HOUSING | (4.2L) | 1 | |
| 8 | 0010 | 4000359 | SCREW (M8 x 60) | | 2 | |
| 9 | 0010 | 4000363 | SCREW (M8 x 100) | | 2 | |
| 10 | 0013 | 400257 | LOCKWASHER (M8) | | 4 | |
| 11 | 0027 | 805723 | GASKET | | 1 | [1] |
| 12 | 0000 | 805947T | THERMOSTAT 71°C (160°F) | | 1 | |
| 13 | 0000 | 805948 | THERMOSTAT 82°C (180°F) | | 1 | |
| 14 | 0000 | 854168 | COVER | | 1 | |
| 15 | 0010 | 4000338 | SCREW (M6 x 78) | | 5 | |
| 16 | 0016 | 854169 | STUD (M6 x 75) | | 1 | |
| 17 | 0013 | 400256 | LOCKWASHER (M6) | | 6 | |
| 18 | 0023 | 854170 | SPACER | | 1 | |
| 19 | 0032 | 805744 | HOSE | | 1 | |
| 20 | 0032 | 805739 | HOSE | | 1 | |
| 21 | 0054 | 815504348 | CLAMP Worm Gear | | 2 | |
| - | 0027 | 855451 | GASKET SET Overhaul | (2.8L) [0K144109] THRU [0L098058] | 1 | |
| - | 0027 | 879684 | GASKET SET Overhaul | (2.8L) [0L098059] & Up | 1 | |
| - | 0027 | 855448 | GASKET SET Overhaul | (4.2L) [0K144114] THRU [0L098231] | 1 | |
| - | 0027 | 881742 | GASKET SET Overhaul | (4.2L) [0L098032] & Up | 1 | |

PART NOTES:

- [1] - COMPONENT OF OVERHAUL GASKET SET 855451
COMPONENT OF OVERHAUL GASKET SET 855488
COMPONENT OF OVERHAUL GASKET SET 879684
COMPONENT OF OVERHAUL GASKET SET 881742

SEAWATER FILTER

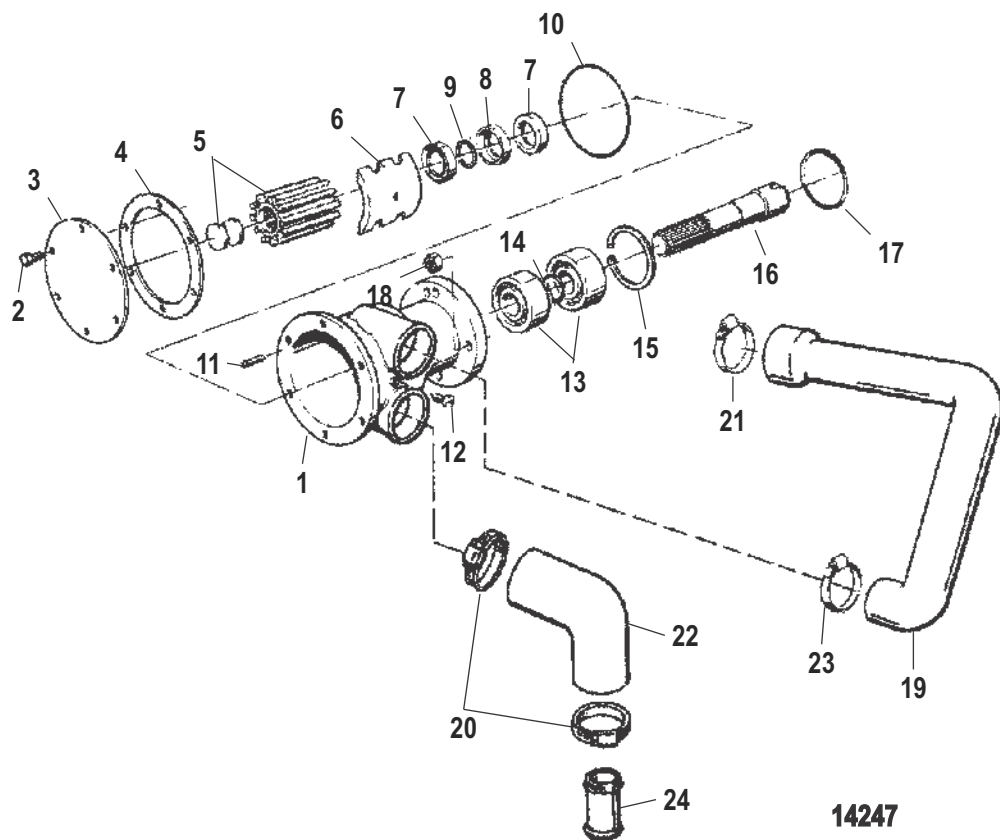


12822

SEAWATER FILTER

| Ref # | Part Class | Part Number | Description | Comments | Qty | Note |
|-------|------------|-------------|-----------------|-----------|-----|------|
| 1 | 0035 | 860603 | FILTER | | 1 | |
| 2 | 0010 | 801763853 | PLUG | | 1 | |
| 3 | 0012 | 809963201 | WASHER | | 1 | |
| 4 | 0013 | 809930840 | LOCKWASHER | | 2 | |
| 5 | 0000 | 801763855 | ELEMENT | | 1 | |
| 6 | 0025 | 801763856 | O-RING | | 1 | |
| 7 | 0000 | 801763857 | WINDOW | | 1 | |
| 8 | 0000 | 801763858 | COVER | | 1 | |
| 9 | 0010 | 801763859 | SCREW | | 2 | |
| 10 | 0022 | 816339 | NOZZLE | | 2 | |
| 11 | 0054 | 815504228 | CLAMP Worm Gear | | 4 | |
| 12 | 0032 | 816172 | HOSE | | 2 | |
| 13 | 0010 | 85181 | BOLT | | 2 | |
| 14 | 0032 | 806291 | REDUCER | | 1 | |
| 15 | 0022 | 818172 | CONNECTOR | (INBOARD) | 1 | |
| 16 | 0020 | 818171T | VALVE | (INBOARD) | 1 | |
| 17 | 0022 | 818170T | FITTING | (INBOARD) | 1 | |

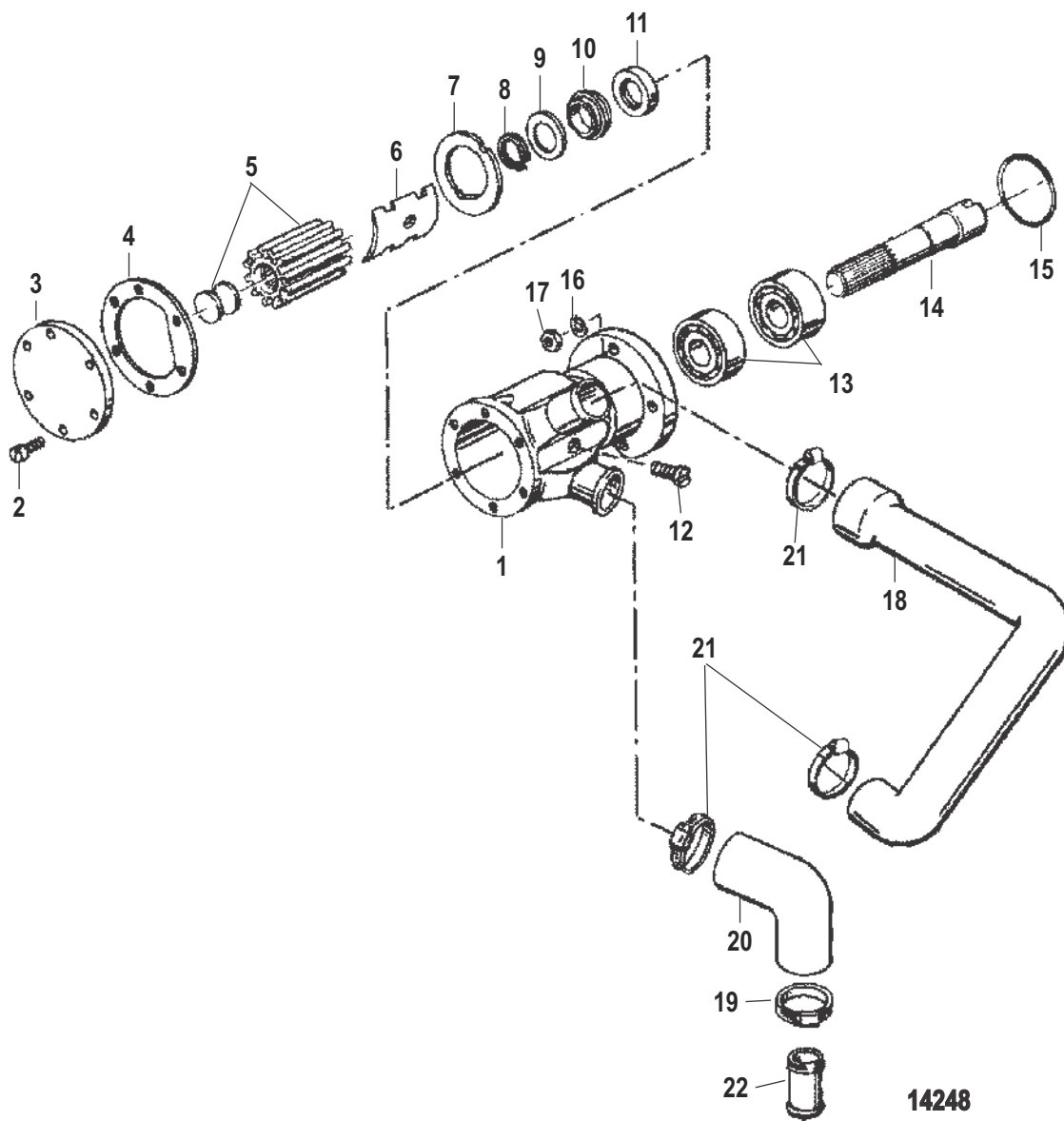
Seawater Pump (2.8L)



Seawater Pump (2.8L)

| Ref # | Part Class | Part Number | Description | Comments | Qty | Note |
|-------|------------|-------------|---------------------------------|----------|-----|------|
| 1 | 0046 | 855502 | PUMP ASSEMBLY Seawater | | 1 | |
| 2 | 0010 | 801332608 | SCREW | | 6 | |
| 3 | 0000 | 801332607 | COVER | | 1 | |
| 4 | 0027 | 801332606 | GASKET | | 1 | |
| 5 | 0047 | 801332602 | IMPELLER | | 1 | |
| 6 | 0000 | 814873 | CAM | | 1 | |
| 7 | 0026 | 801332600 | SEAL Oil | | 2 | |
| 8 | 0000 | 801332599 | SPREADER | | 1 | |
| 9 | 0025 | 801332598 | O-RING | | 1 | |
| 10 | 0012 | 801332601 | WEAR PLATE | | 1 | |
| 11 | 0017 | 801332620 | PIN | | 1 | |
| 12 | 0010 | 801332604 | SCREW | | 1 | |
| 13 | 0030 | 801330116 | BEARING Ball | | 2 | |
| 14 | 0000 | 801332599 | SPREADER | | 1 | |
| 15 | 0053 | 801332595 | RING Snap Retaining | | 1 | |
| 16 | 0045 | 801332593 | SHAFT | | 1 | |
| 17 | 0025 | 801333850 | O-RING | | 1 | |
| 18 | 0011 | 400212 | NUT (M6) Stainless Steel | | 4 | |
| 19 | 0032 | 805375 | HOSE To Air Cooler | | 1 | |
| 20 | 0054 | 815504220 | CLAMP Worm Gear | | 2 | |
| 21 | 0054 | 815504228 | CLAMP Worm Gear | | 1 | |
| 22 | 0032 | 806441 | HOSE | | 1 | |
| 23 | 0054 | 815504232 | CLAMP Worm Gear (2.50 Diameter) | | 1 | |
| 24 | 0032 | 816173 | HOSE Reducer To SeaWater Pump | | 1 | |

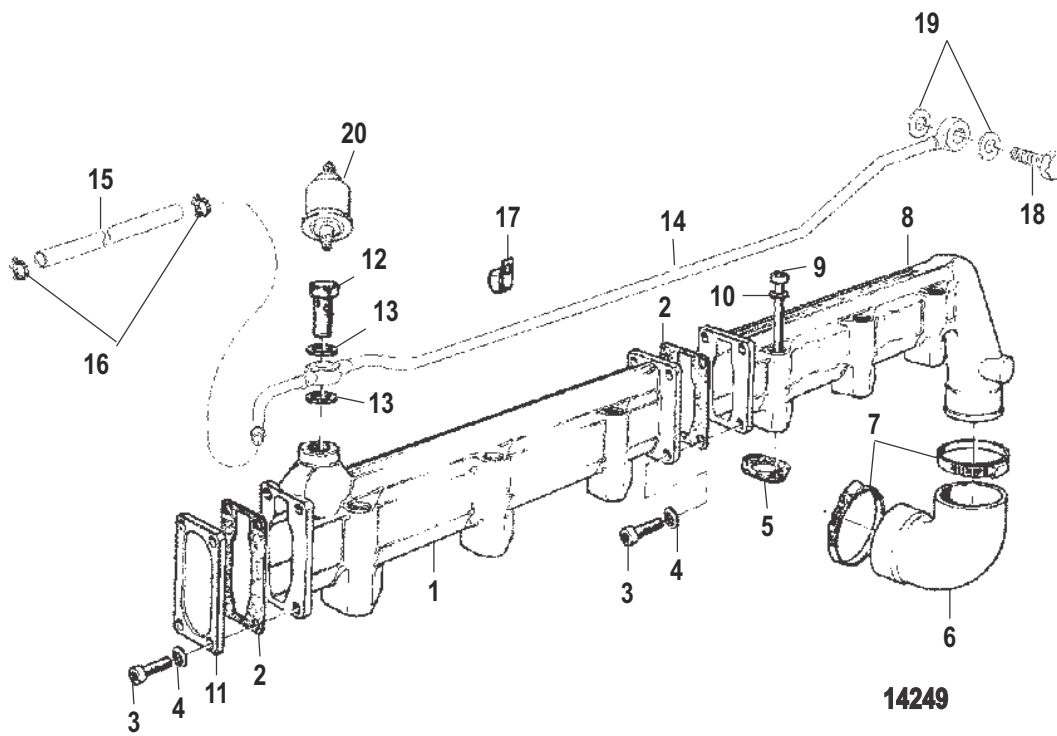
Seawater Pump (4.2L)



Seawater Pump (4.2L)

| Ref # | Part Class | Part Number | Description | Comments | Qty | Note |
|-------|------------|-------------|---------------------------------|----------|-----|------|
| 1 | 0046 | 816248 | PUMP ASSEMBLY | | 1 | |
| 2 | 0010 | 801332608 | SCREW | | 6 | |
| 3 | 0000 | 801332607 | COVER | | 1 | |
| 4 | 0027 | 801332606 | GASKET | | 1 | |
| 5 | 0047 | 816814T | IMPELLER | | 1 | |
| 6 | 0000 | 816813 | CAM | | 1 | |
| 7 | 0012 | 801332601 | WEAR PLATE | | 1 | |
| 8 | 0053 | 816815 | RING | | 1 | |
| 9 | 0023 | 816816 | SPACER | | 1 | |
| 10 | 0000 | 816817 | SEAL | | 1 | |
| 11 | 0026 | 816818 | SEAL | | 1 | |
| 12 | 0010 | 801332604 | SCREW | | 1 | |
| 13 | 0030 | 816819 | BEARING | | 2 | |
| 14 | 0000 | 816820 | SHAFT | | 1 | |
| 15 | 0025 | 801333850 | O-RING | | 1 | |
| 16 | 0013 | 811418 | LOCKWASHER | | 4 | |
| 17 | 0011 | 811417 | NUT | | 4 | |
| 18 | 0032 | 805017 | HOSE To Air Cooler | | 1 | |
| 19 | 0054 | 815504220 | CLAMP Worm Gear | | 1 | |
| 20 | 0032 | 816174A1 | HOSE | | 1 | |
| 21 | 0054 | 815504232 | CLAMP Worm Gear (2.50 Diameter) | | 3 | |
| 22 | 0032 | 816173 | HOSE Reducer To SeaWater Pump | | 1 | |

MANIFOLD STRIP



MANIFOLD STRIP

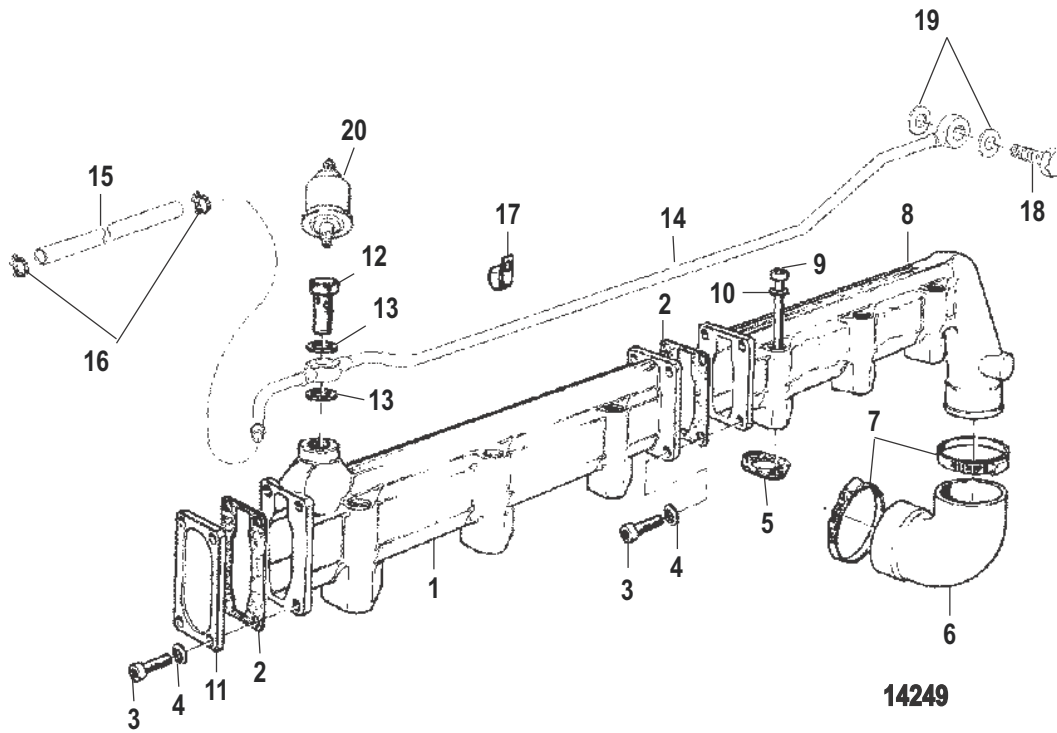
| Ref # | Part Class | Part Number | Description | Comments | Qty | Note |
|-------|------------|-------------|--|-----------------------------------|------|------|
| 1 | 0000 | 879713 | MANIFOLD Front | (2.8L) | 1 | |
| 1 | 0000 | 816785 | STRIP Manifold (FRONT) | (4.2L) | 1 | |
| 1 | 0084 | 884005 | HARNESS ASSEMBLY Engine Wiring, Engine w/Deutsch Connector | (STERNDRIVE AND INBOARD) | 1 | |
| 2 | 0027 | 854171 | GASKET | | 1/2 | [1] |
| 3 | 0010 | 809919781 | SCREW (M6 x 18) | | 4/8 | |
| 4 | 0012 | 811450 | WASHER | | 4/8 | |
| 5 | 0027 | 884004 | GASKET | (2.8L) | 4 | [2] |
| 5 | 0027 | 884004 | GASKET | (4.2L) | 6 | [3] |
| 6 | 0032 | 854173 | HOSE | | 1 | |
| 7 | 0054 | 801333457 | CLAMP | | 2 | |
| 8 | 0000 | 879712 | RAIL Water (REAR) | | 1 | |
| 9 | 0010 | 879714 | SCREW (M6 x 80) | | 8/12 | |
| 10 | 0012 | 811437 | WASHER | | 8/12 | |
| 11 | 0000 | 811432 | COVER | (4.2L) | 1 | |
| 12 | 0010 | 811401 | BOLT Banjo (M12) | | 1 | |
| 13 | 0025 | 809963129 | WASHER | | 2 | [1] |
| 14 | 0032 | 855506 | PIPE | (2.8L) | 1 | |
| 14 | 0032 | 804702 | PIPE | (4.2L) | 1 | |
| 15 | 0032 | 854176 | HOSE | | 1 | |
| 16 | 0054 | 854177 | CLAMP | | 1 | |
| 17 | 0054 | 814634 | CLAMP | | 1 | |
| 18 | 0010 | 801333874 | SCREW Banjo (M10) | | 1 | |
| 19 | 0012 | 809963072 | WASHER | | 2 | [1] |
| 20 | 0000 | 49734 | SENDER | (2.8L) | 1 | [4] |
| - | 0027 | 855451 | GASKET SET Overhaul | (2.8L) [0K144109] THRU [0L098058] | 1 | |
| - | 0027 | 879684 | GASKET SET Overhaul | (2.8L) [0L098059] & Up | 1 | |
| - | 0027 | 855448 | GASKET SET Overhaul | (4.2L) [0K144114] THRU [0L098231] | 1 | |
| - | 0027 | 881742 | GASKET SET Overhaul | (4.2L) [0L098032] & Up | 1 | |
| - | 0027 | 855450 | GASKET SET Cylinder Head | (2.8L) [0K144109] THRU [0L098058] | 1 | |
| - | 0027 | 883962 | GASKET SET Cylinder Head | (2.8L) [0L098059] & Up | 1 | |
| - | 0027 | 855449 | GASKET SET Cylinder Head | (4.2L) [0K144114] THRU [0L098231] | 1 | |
| - | 0027 | 881743 | GASKET SET Cylinder Head | (4.2L) [0L0980232] & Up | 1 | |

PART NOTES:

- [1] - COMPONENT OF OVERHAUL GASKET SET 855451
COMPONENT OF OVERHAUL GASKET SET 855488
COMPONENT OF OVERHAUL GASKET SET 879684
COMPONENT OF OVERHAUL GASKET SET 881742
- [2] - COMPONENT OF OVERHAUL GASKET SET 855451
COMPONENT OF OVERHAUL GASKET SET 879684
COMPONENT OF CYLINDER HEAD GASKET SET855450
COMPONENT OF CYLINDER HEAD GASKET SET883962
- [3] - COMPONENT OF OVERHAUL GASKET SET 855488
COMPONENT OF OVERHAUL GASKET SET 881742
COMPONENT OF CYLINDER HEAD GASKET SET855449
COMPONENT OF CYLINDER HEAD GASKET SET881743

MANIFOLD STRIP

MANIFOLD STRIP

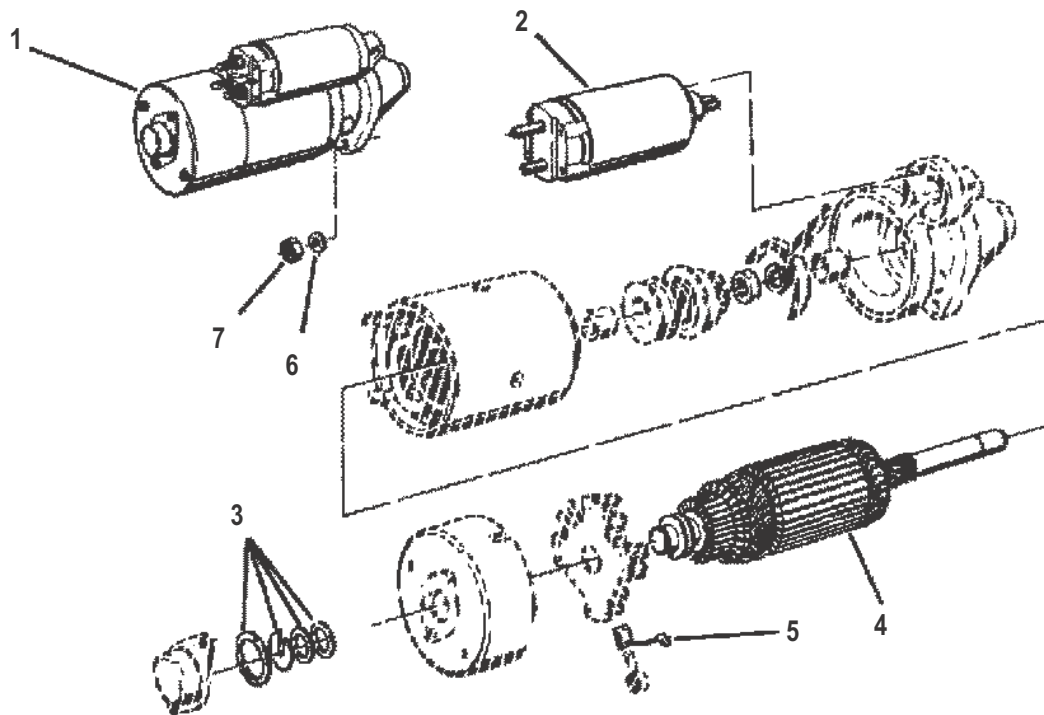


Cat.# 90-854190

MANIFOLD STRIP

[4] - COMPONENT OF OVERHAUL GASKET SET 879684

Starter Motor

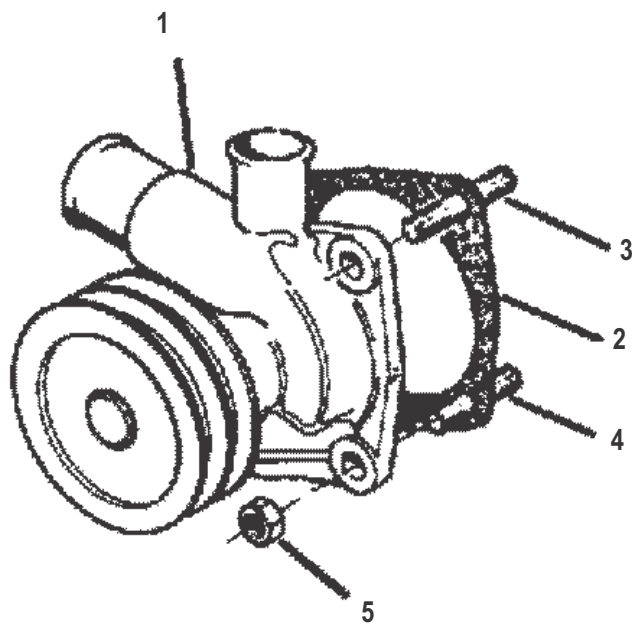


14250

Starter Motor

| Ref # | Part Class | Part Number | Description | Comments | Qty | Note |
|-------|------------|-------------|--------------------------------------|----------|-----|------|
| 1 | 0050 | 855507 | STARTER MOTOR ASSEMBLY | (2.8L) | 1 | |
| 1 | 0050 | 801333980 | STARTER MOTOR ASSEMBLY | (4.2L) | 1 | |
| 2 | | NSS | NOT SOLD SEPARATE Engaging Relay | | 1 | |
| 3 | | NSS | NOT SOLD SEPARATE Parts Set Armature | | 1 | |
| 4 | | NSS | NOT SOLD SEPARATE Armature | | 1 | |
| 5 | | NSS | NOT SOLD SEPARATE Brush Set | | 1 | |
| 6 | 0013 | 811408 | LOCKWASHER | | 2 | |
| 7 | 0011 | 811458 | NUT | | 2 | |

WATER PUMP



12768

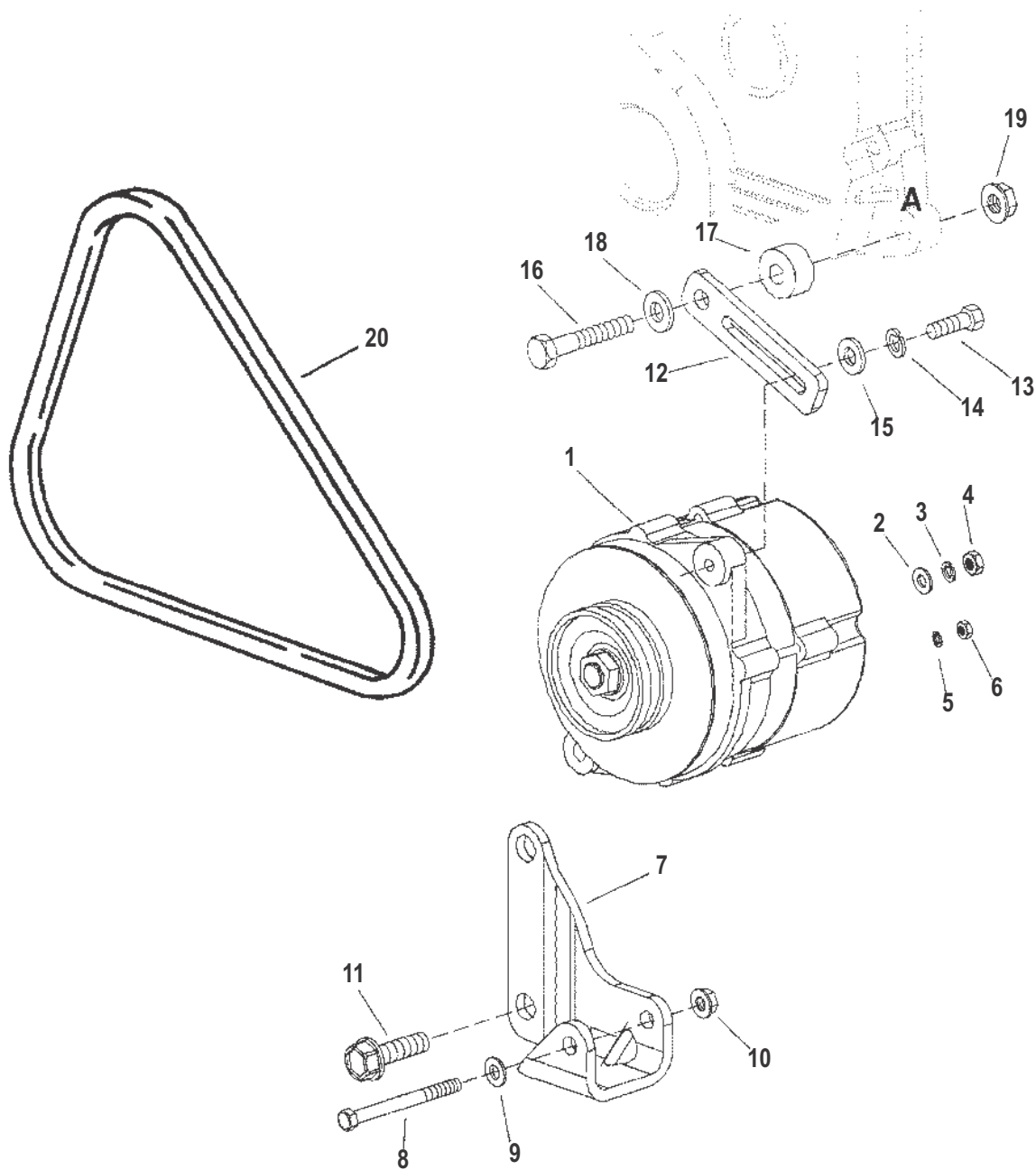
WATER PUMP

| Ref # | Part Class | Part Number | Description | Comments | Qty | Note |
|-------|------------|-------------|---------------------|-----------------------------------|-----|------|
| 1 | 0000 | 854179 | PUMP | | 1 | |
| 2 | 0027 | 801333441 | GASKET | | 1 | [1] |
| 3 | 0016 | 811472 | STUD (M8 x 55) | | 2 | |
| 4 | 0016 | 854156 | STUD (M8 x 25) | | 2 | |
| 5 | 0011 | 854037 | NUT (M8) | | 4 | |
| - | 0027 | 855451 | GASKET SET Overhaul | (2.8L) [OK144109] THRU [OL098058] | 1 | |
| - | 0027 | 879684 | GASKET SET Overhaul | (2.8L) [OL098059] & Up | 1 | |
| - | 0027 | 855448 | GASKET SET Overhaul | (4.2L) [OK144114] THRU [OL098231] | 1 | |
| - | 0027 | 881742 | GASKET SET Overhaul | (4.2L) [OL098032] & Up | 1 | |

PART NOTES:

- [1] - COMPONENT OF OVERHAUL GASKET SET 855451
- COMPONENT OF OVERHAUL GASKET SET 855488
- COMPONENT OF OVERHAUL GASKET SET 879684
- COMPONENT OF OVERHAUL GASKET SET 881742

Alternator And Mounting Hardware



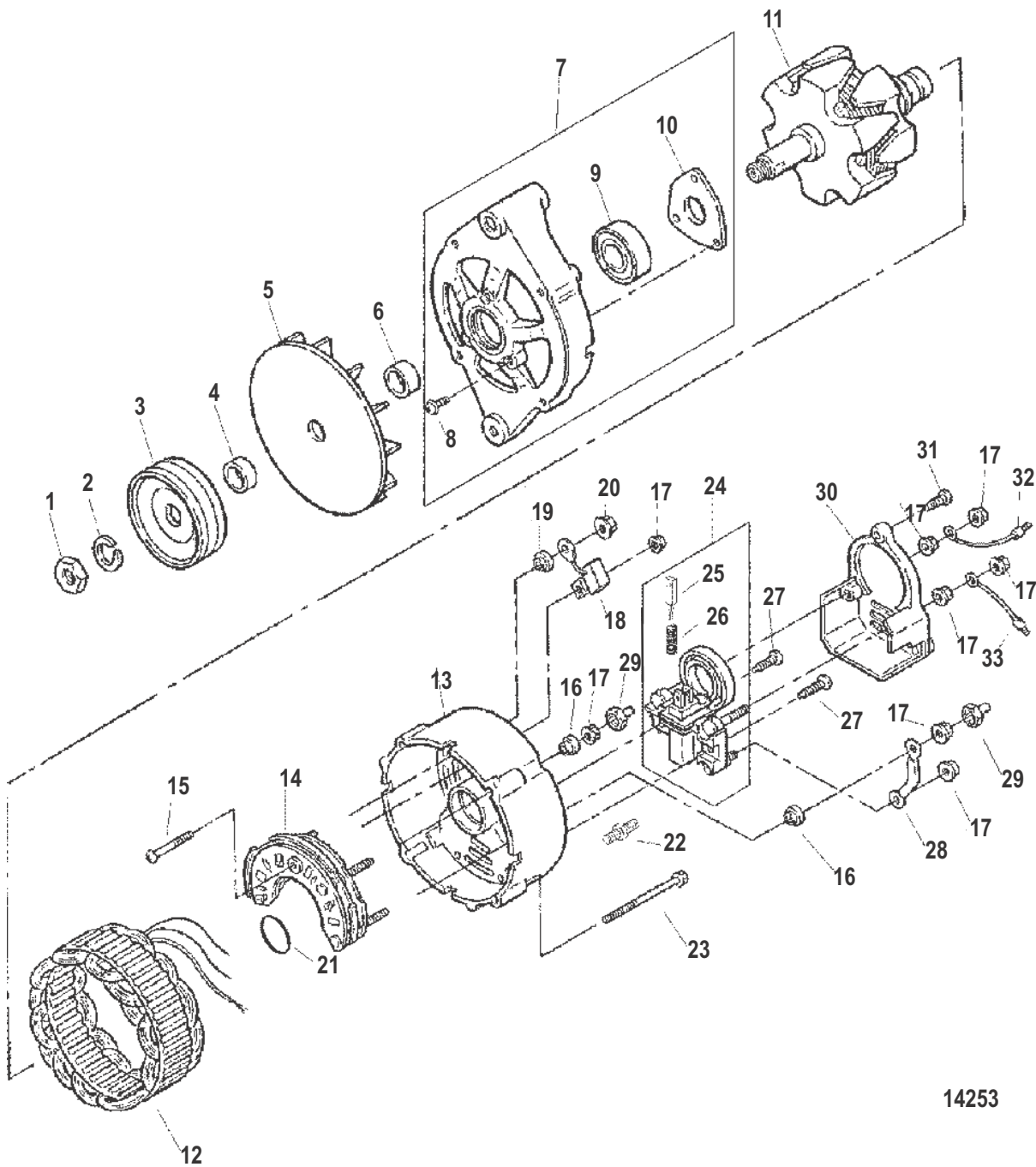
A = FRONT COVER

14252

Alternator And Mounting Hardware

| Ref # | Part Class | Part Number | Description | Comments | Qty | Note |
|-------|------------|-------------|---|----------|-----|------|
| 1 | 0000 | 805884T | ALTERNATOR | | 1 | |
| 2 | 0012 | 96457 | WASHER Phenolic (.27 x .81 x .062) | | 1 | |
| 3 | 0013 | 26992 | LOCKWASHER (.250) Stainless Steel | | 1 | |
| 4 | 0011 | 94330 | NUT (.250-20) Brass | | 1 | |
| 5 | 0013 | 26996 | LOCKWASHER (#10) Stainless Steel | | 2 | |
| 6 | 0011 | 79989 | NUT (#10-24) Stainless Steel | | 2 | |
| 7 | 0000 | 879716 | BRACKET Alternator | | 1 | |
| 8 | 0010 | 854181 | SCREW (M8) | | 1 | |
| 9 | 0013 | 811460 | LOCKWASHER | | 1 | |
| 10 | 0011 | 854184 | NUT (M8) | | 1 | |
| 11 | 0010 | 855508 | SCREW (M14 x 25) | | 2 | |
| 12 | 0000 | 806980T | BRACE | | 1 | |
| 13 | 0010 | 35386 | SCREW (.312-18 x 1.00) | | 1 | |
| 14 | 0013 | 53166 | LOCKWASHER (.312) | | 1 | |
| 15 | 0012 | 814806 | WASHER (.344 x .688 x .065) Stainless Steel | | 1 | |
| 16 | 0010 | 4000382 | SCREW (M10 x 60) | | 1 | |
| 17 | 0023 | 807030 | SPACER | | 1 | |
| 18 | 0012 | 811479 | WASHER | | 1 | |
| 19 | 0011 | 4013610 | NUT (M10) Stainless Steel | | 1 | |
| 20 | 0057 | 64032A1 | V BELT | | 1 | |

Alternator (Mando)



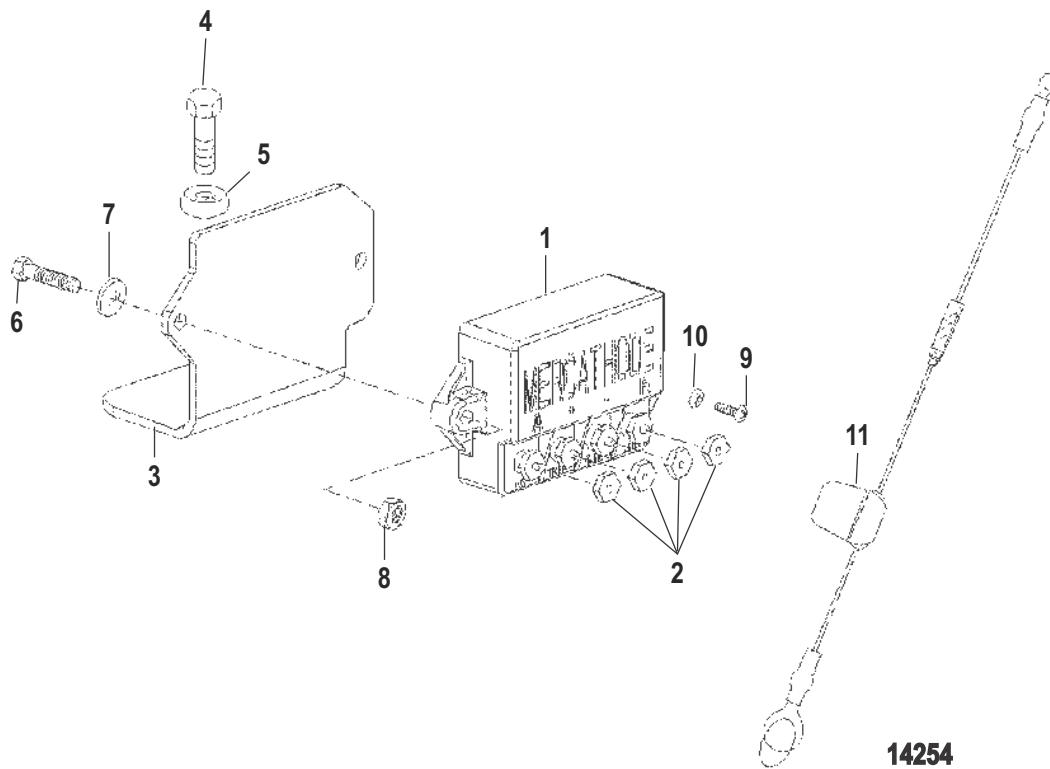
14253

Alternator (Mando)

| Ref # | Part Class | Part Number | Description | Comments | Qty | Note |
|-------|------------|-------------|--------------------|----------|-----|------|
| - | 0000 | 805884T | ALTERNATOR | | 1 | |
| 1 | 0011 | 809136 | NUT | | 1 | |
| 2 | 0013 | 809137 | LOCKWASHER | | 1 | |
| 3 | 0000 | 809134 | PULLEY | | 1 | |
| 4 | 0023 | 809135 | SPACER | | 1 | |
| 5 | 0000 | 809139 | FAN ASSEMBLY | | 1 | |
| 6 | 0023 | 809140 | SPACER | | 1 | |
| 7 | 0000 | 809151 | BRACKET ASSEMBLY | | 1 | |
| 8 | 0010 | 809154 | SCREW | | 3 | |
| 9 | 0030 | 809153 | BEARING | | 1 | |
| 10 | 0000 | 809152 | RETAINER | | 1 | |
| 11 | 0000 | 809150 | ROTOR | | 1 | |
| 12 | 0000 | 809133T | STATOR | | 1 | |
| 13 | 0000 | 809155 | BRACKET ASSEMBLY | | 1 | |
| 14 | 0000 | 809162 | RECTIFIER | | 1 | |
| 15 | 0010 | 809160 | SET SCREW | | 1 | |
| 16 | 0000 | 809146 | MOLD | | 2 | |
| 17 | 0011 | 809143 | NUT | | 8 | |
| 18 | 0000 | 809161 | CONDENSER | | 1 | |
| 19 | 0000 | 809158 | MOLD | | 1 | |
| 20 | 0011 | 809157 | NUT | | 1 | |
| 21 | 0025 | 809156 | O-RING | | 1 | |
| 22 | 0010 | 809159 | BOLT | | 1 | |
| 23 | 0010 | 809138 | BOLT | | 4 | |
| 24 | 0000 | 811883T | REGULATOR ASSEMBLY | | 1 | |
| 25 | 0000 | 811884 | BRUSH | | 2 | |
| 26 | 0024 | 811885 | SPRING | | 2 | |
| 27 | 0010 | 809141 | SCREW | | 2 | |
| 28 | 0000 | 809142 | TERMINAL | | 1 | |
| 29 | 0000 | 809149 | CAP | | 2 | |
| 30 | 0000 | 809144 | COVER | | 1 | |
| 31 | 0010 | 809145 | SET SCREW | | 1 | |
| 32 | 0084 | 809148 | LEAD WIRE Black | | 1 | |
| 33 | 0084 | 809147 | LEAD WIRE Red | | 1 | |

Alternator (Mando)

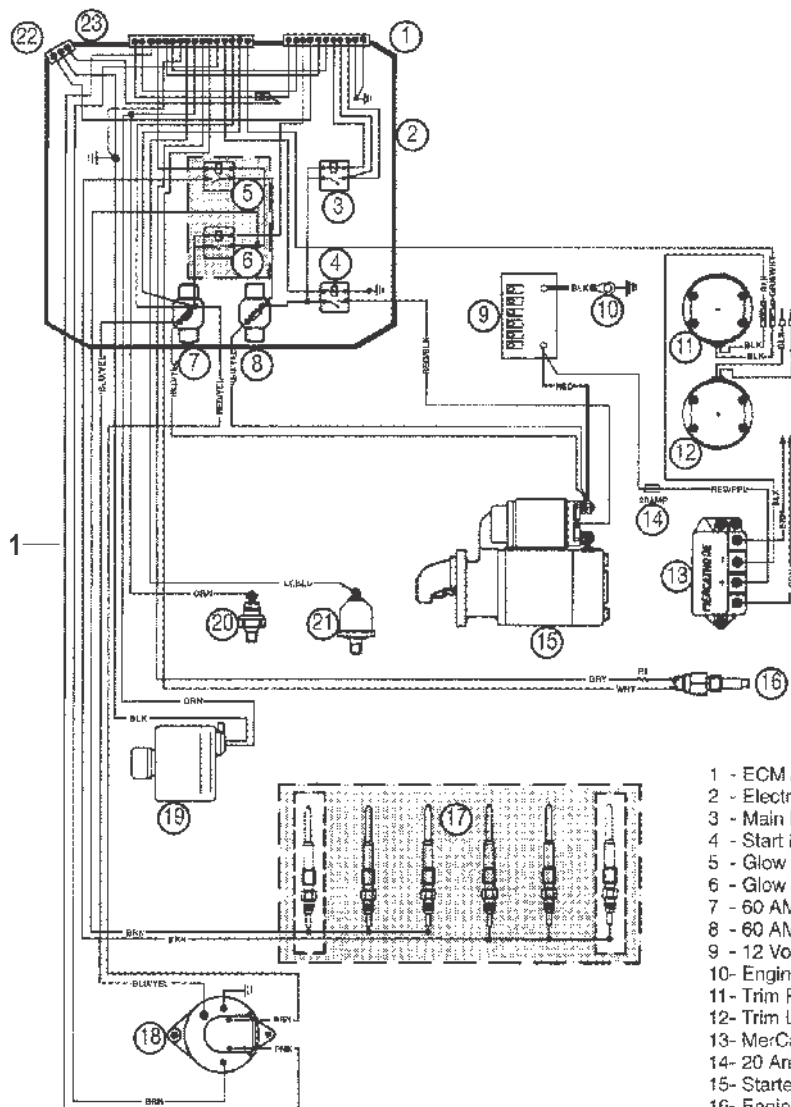
Mercathode (Sterndrive)



Mercathode (Sterndrive)

| Ref # | Part Class | Part Number | Description | Comments | Qty | Note |
|-------|------------|-------------|---|----------|-----|------|
| 1 | 0000 | 42600A3 | CONTROLLER ASSEMBLY | | 1 | |
| 2 | 0011 | 68219 | NUT (#10-32) Stainless Steel | | 4 | |
| 3 | 0000 | 807286T | BRACKET | | 1 | |
| 4 | 0010 | 40001188 | SCREW (M10 x 20) | | 1 | |
| 5 | 0012 | 4002220 | WASHER | | 1 | |
| 6 | 0010 | 4000116 | SCREW (M5 x 20) | | 2 | |
| 7 | 0012 | 809931036 | WASHER | | 2 | |
| 8 | 0011 | 855385 | NUT (M5) | | 2 | |
| 9 | 0010 | 62568 | SCREW (#10-16 x .375) | | 1 | |
| 10 | 0012 | 30164 | WASHER (.192 x .375 x .0312) Stainless Steel | | 2 | |
| 11 | 0084 | 803625 | FUSE ASSEMBLY | | 1 | |

ENGINE HARNESS



- 1 - ECM / Fuel System Harness Connector
- 2 - Electrical Box
- 3 - Main Relay
- 4 - Start Relay
- 5 - Glow Plug Relay (Optional)
- 6 - Glow Plug Relay (Optional)
- 7 - 60 AMP Circuit Breaker
- 8 - 60 AMP Circuit Breaker
- 9 - 12 Volt Battery
- 10- Engine Ground Stud
- 11- Trim Position Sender, Starboard
- 12- Trim Limit Switch, Port
- 13- MerCathode Controller
- 14- 20 Amp Fuse and Holder
- 15- Starter
- 16- Engine Coolant Temperature Sender
- 17- Glow Plugs (If So Equipped)
- 18- Alternator
- 19- Gear Lube Monitor Bottle
- 20- Oil Pressure / Audio Warning Switch
- 21- Oil Pressure Sender
- 22- Diagnostic Connector
- 23- Instrument / Extension Harness Connector

12743

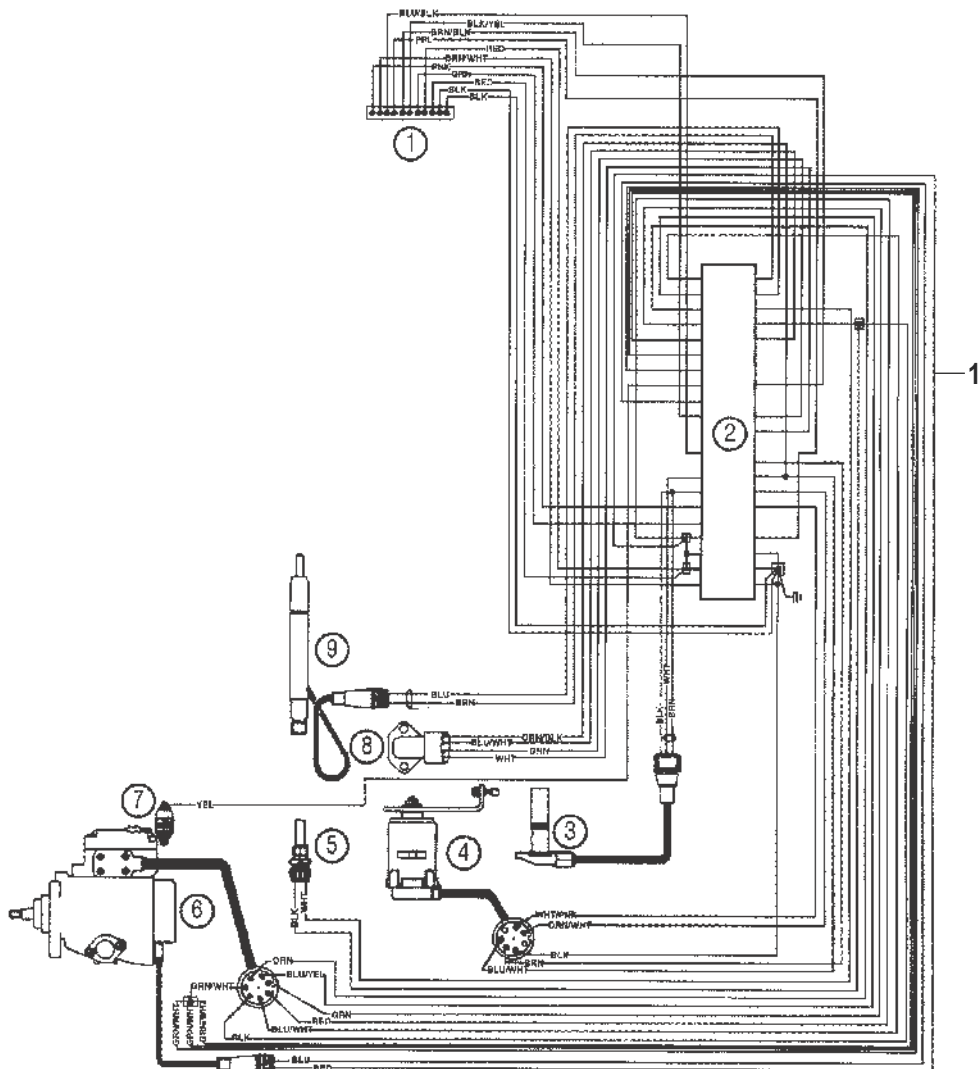
Cat.# 90-854190

ENGINE HARNESS

| Ref # | Part Class | Part Number | Description | Comments | Qty | Note |
|-------|------------|-------------|-----------------------------------|-----------------------------|-----|------|
| 1 | 0084 | 855509 | HARNESS ASSEMBLY Engine | (STERN DRIVE) | 1 | |
| 1 | 0084 | 803626 | HARNESS ASSEMBLY Engine Wiring | (INBOARD) | 1 | |
| 1 | 0084 | 884005 | HARNESS ASSEMBLY Engine | (STERN DRIVE OR INBOARD) | 1 | |

ENGINE HARNESS

EDI Harness



- 1 - ECM (Electronic Control Module) / Fuel System Connector
- 2 - ECM
- 3 - Engine-Speed Sensor
- 4 - Throttle Position Sensor
- 5 - Engine Coolant Temperature Sensor (ECT to ECM)
- 6 - Electronic Distributor Injection Pump
- 7 - Electronic Shut-Off Solenoid (ELAB)
- 8 - Manifold Absolute Pressure Sensor MAP
- 9 - Fuel Injector with Needle Motion Sensor (NBF)

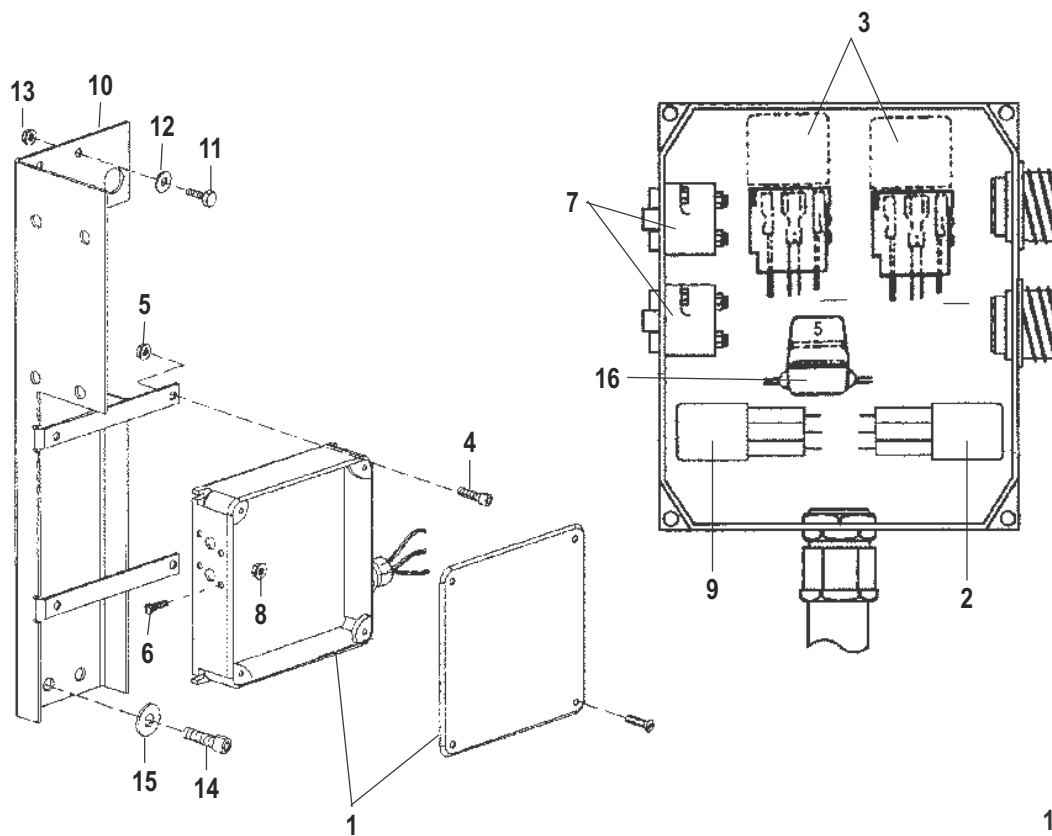
12746

Cat.# 90-854190

EDI Harness

| Ref # | Part Class | Part Number | Description | Comments | Qty | Note |
|-------|------------|-------------|----------------------|----------|-----|------|
| 1 | 0084 | 854187 | HARNESS ASSEMBLY ECM | | 1 | |

Electrical Box And Components

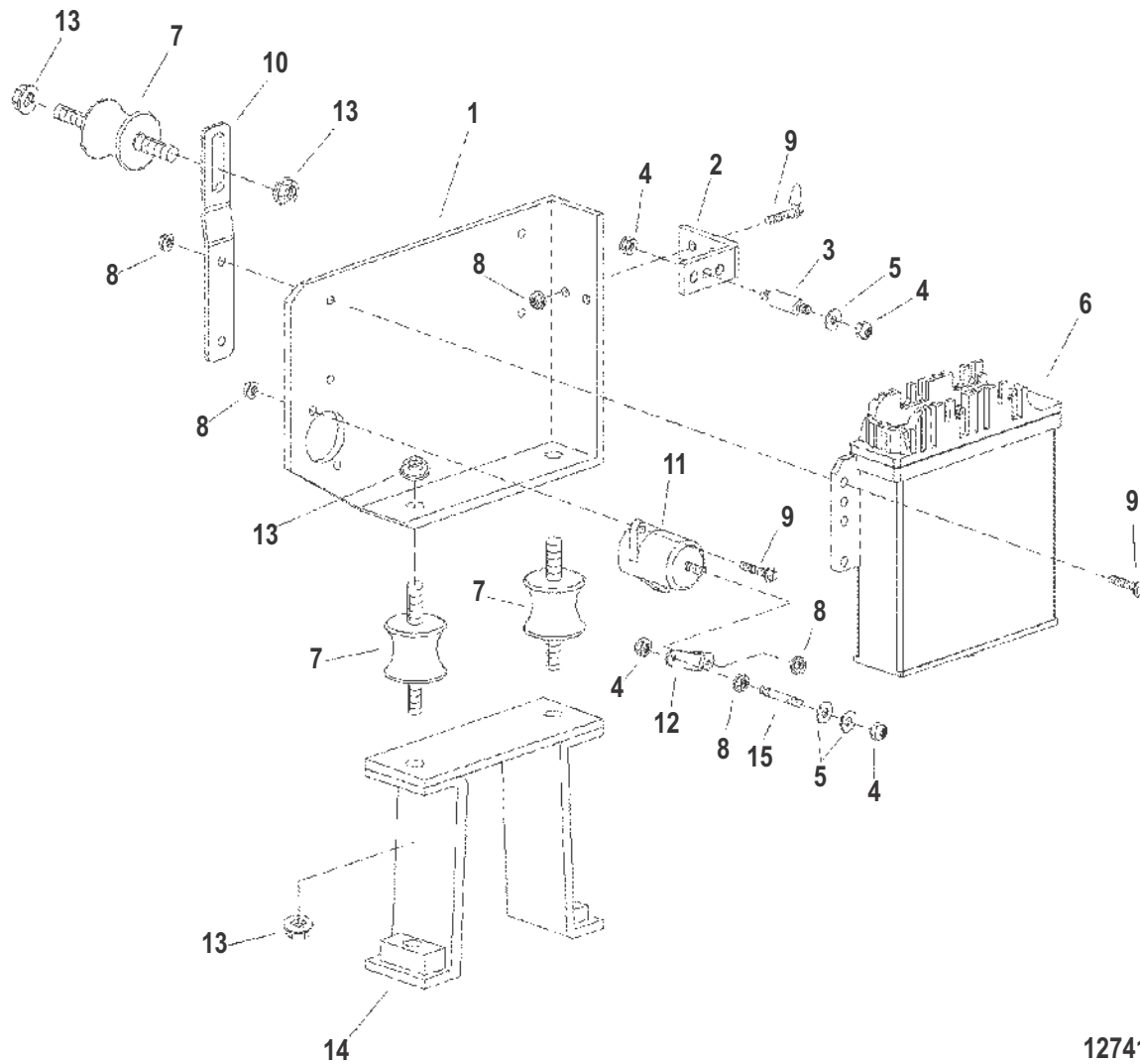


14257

Electrical Box And Components

| Ref # | Part Class | Part Number | Description | Comments | Qty | Note |
|-------|------------|-------------|----------------------------------|----------|-----|------|
| 1 | | NSS | NOT SOLD SEPARATE Electrical Box | | 1 | |
| 2 | 0087 | 855391 | POWER RELAY | | 1 | |
| 3 | 0087 | 855391 | POWER RELAY | | 2 | |
| 4 | 0010 | 809919926 | SCREW (M6 x 25) | | 4 | |
| 5 | 0011 | 854032 | NUT (M6) | | 4 | |
| 6 | 0010 | 854104 | SCREW (M5 x 20) | | 4 | |
| 7 | 0088 | 801329978 | BREAKER Circuit | | 2 | |
| 8 | 0011 | 855385 | NUT (M5) | | 4 | |
| 9 | 0087 | 855386 | POWER RELAY | | 1 | |
| NS | 0000 | 821509 | RELAY Audio Warning | | 1 | |
| 10 | 0000 | 854024 | BRACKET Support | | 1 | |
| 11 | 0010 | 854113 | SCREW (M6 x 14) | | 2 | |
| 12 | 0012 | 4002217 | WASHER | | 2 | |
| 13 | 0011 | 854032 | NUT (M6) | | 2 | |
| 14 | 0010 | 811457 | SCREW (M10 x 35) | | 2 | |
| 15 | 0012 | 811459 | WASHER | | 2 | |
| 16 | 0000 | 862646 | FUSE Tan - 5 Ampere | | 1 | |

CONTROL UNIT AND BRACKET

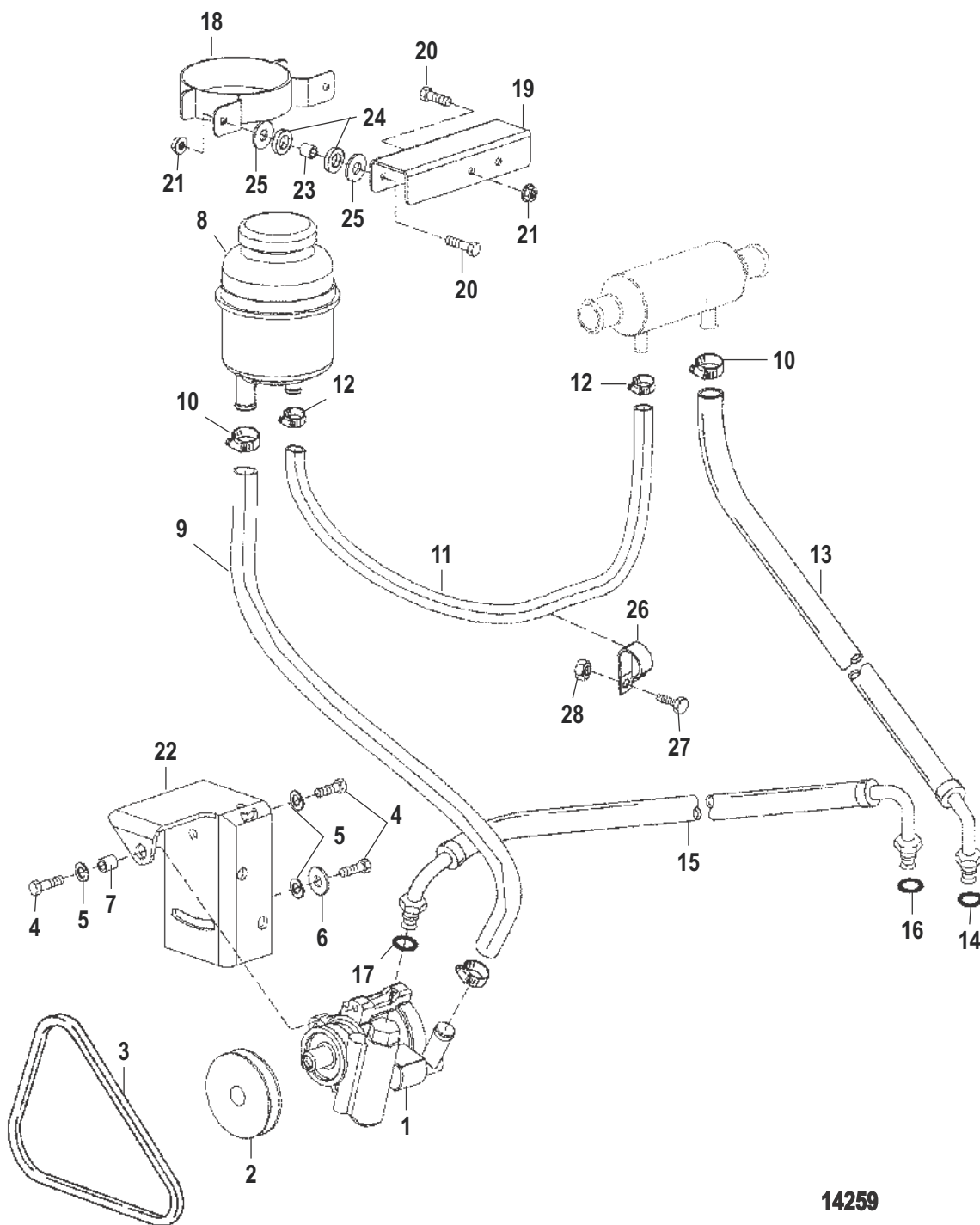


12741

CONTROL UNIT AND BRACKET

| Ref # | Part Class | Part Number | Description | Comments | Qty | Note |
|-------|------------|-------------|--------------------------------|---------------------------------------|-----|------|
| 1 | 0000 | 854025 | BRACKET | | 1 | |
| 2 | 0000 | 854026 | BRACKET | | 1 | |
| 3 | 0016 | 854027 | STUD Remote Control Cable | | 1 | |
| 4 | 0011 | 854028 | LOCKNUT | | 4 | |
| 5 | 0012 | 854029 | WASHER | | 3 | |
| 6 | 0000 | 855510 | CONTROL ASSEMBLY Engine | (2.8L)(750 RPM) [0L343084] & Below | 1 | |
| 6 | 0000 | 881308 | CONTROL ASSEMBLY Engine | (2.8L)(600 RPM) [0L343085] & Up | 1 | |
| 6 | 0000 | 854030 | CONTROL ASSEMBLY Engine | (4.2L)(750 RPM) [0L343703] & Below | 1 | |
| 6 | 0000 | 881309 | CONTROL ASSEMBLY Engine | (4.2L)(600 RPM) [0L343704] & Up | 1 | |
| 7 | 0000 | 854031 | SUPPORT | | 3 | |
| 8 | 0011 | 854032 | NUT (M6) | | 10 | |
| 9 | 0010 | 855511 | SCREW (M6 x 20) | | 8 | |
| 10 | 0000 | 854034 | BRACKET | | 1 | |
| 11 | 0000 | 854035 | TPS | | 1 | |
| 12 | 0000 | 854036 | LEVER Throttle Position Sensor | | 1 | |
| 13 | 0011 | 854037 | NUT (M8) | | 1 | |
| 14 | 0000 | 854038 | SUPPORT | (STERN DRIVE) | 1 | |
| 14 | 0000 | 860598 | SUPPORT | (INBOARD) | 1 | |
| 15 | 0016 | 854039 | STUD TPS Lever | | 1 | |

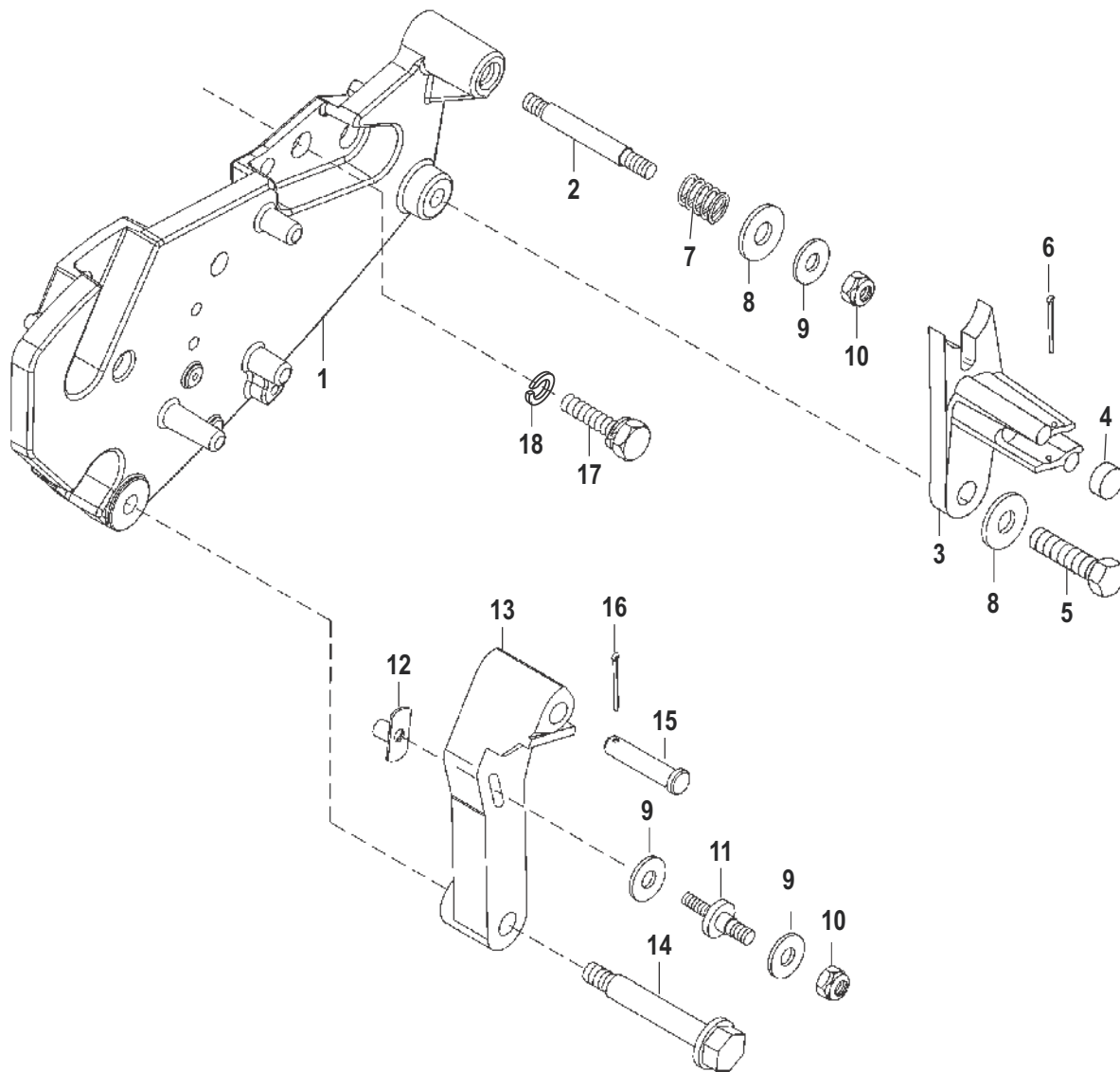
Power Steering Components (Sterndrive)



Power Steering Components (Sterndrive)

| Ref # | Part Class | Part Number | Description | Comments | Qty | Note |
|-------|------------|-------------|---|-----------------|-----|------|
| 1 | 0000 | 18825A2 | PUMP ASSEMBLY | | 1 | |
| 2 | 0000 | 801763349 | PULLEY | | 1 | |
| 3 | 0057 | 816177 | V BELT | | 1 | |
| 4 | 0010 | 809913657 | SCREW (M8 x 25) | | 3 | |
| 5 | 0013 | 400247 | LOCKWASHER (M8) | | 3 | |
| 6 | 0012 | 4002318 | WASHER | | 1 | |
| 7 | 0023 | 12009 | BUSHING (.31 x .45 x .50) | | 1 | |
| 8 | 0000 | 801124680 | TANK Power Steering Oil Reservoir | | 1 | |
| 9 | 0032 | 883971 | HOSE Power Steering Pump To Reservoir | (Cut to Length) | 1 | |
| 10 | 0054 | 801326638 | CLAMP | | 3 | |
| 11 | 0032 | 883967 | HOSE | (4.2L) | 1 | |
| 11 | 0032 | 883968 | HOSE Reservoir To Cooler | (2.8L) | 1 | |
| 12 | 0054 | 809952104 | CLAMP | | 2 | |
| 13 | 0032 | 883969 | HOSE Cooler To Steering Cylinder | | 1 | |
| 14 | 0025 | 89879 | O-RING (.301 x .064) | | 1 | |
| 15 | 0032 | 883970 | HOSE Power Steering Pump To Steering Cylinder | | 1 | |
| 16 | 0025 | 89879 | O-RING (.301 x .064) | | 1 | |
| 17 | 0025 | 806232 | O-RING (.239 x .064) | | 1 | |
| 18 | 0000 | 855387 | SUPPORT Oil Tank | | 1 | |
| 19 | 0000 | 855513 | BRACKET Oil Tank Support | (2.8L) | 1 | |
| 19 | 0000 | 855388 | BRACKET | (4.2L) | 1 | |
| 20 | 0010 | 854118 | SCREW (M8 x 20) | | 3 | |
| 21 | 0011 | 854037 | NUT (M8) | | 3 | |
| 22 | 0000 | 816340 | BRACKET | | 1 | |
| 23 | 0023 | 854021 | SPACER | | 2 | |
| 24 | 0025 | 854020 | GROMMET | | 4 | |
| 25 | 0012 | 811455 | WASHER | | 4 | |
| 26 | 0054 | 803627 | CLIP | | 1 | |
| 27 | 0010 | 855511 | SCREW (M6 x 20) | | 1 | |
| 28 | 0011 | 854032 | NUT (M6) | | 1 | |

Shift Bracket

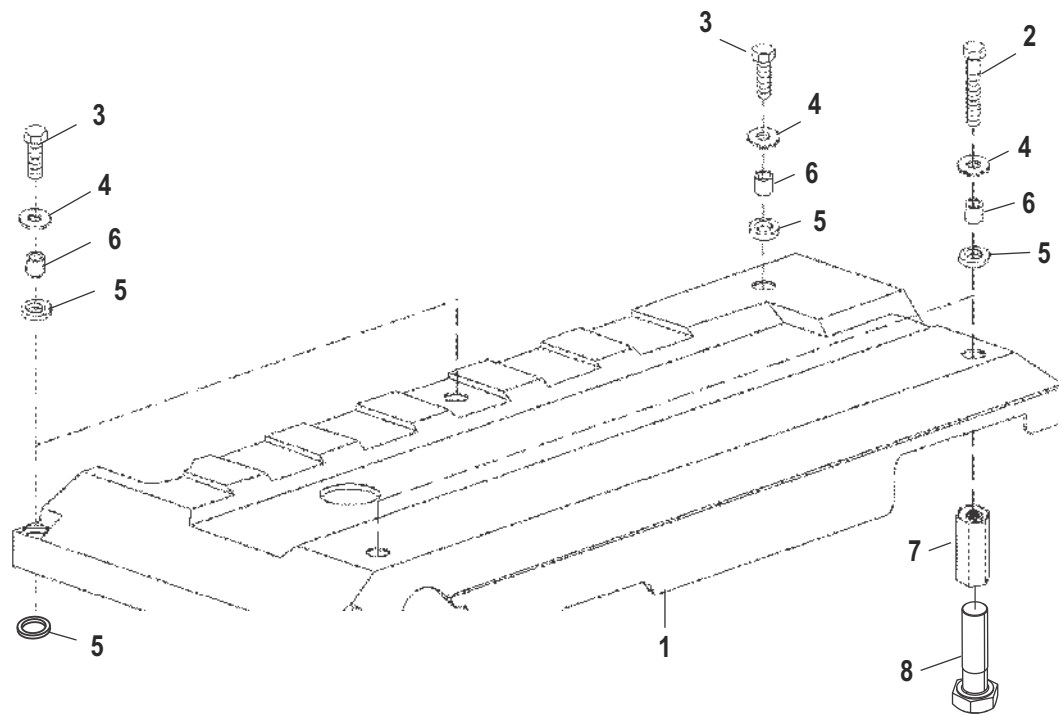


14260

Shift Bracket

| Ref # | Part Class | Part Number | Description | Comments | Qty | Note |
|-------|------------|-------------|--|----------|-----|------|
| 1 | 0000 | 807962A3 | BRACKET ASSEMBLY | | 1 | |
| 2 | 0016 | 987981 | STUD (.250-20/.250-28 x 2.120) | | 1 | |
| 3 | 0000 | 123811 | RETAINER | | 1 | |
| 4 | 0023 | 98828 | SPACER | | 1 | |
| 5 | 0010 | 53167 | SCREW (.312-18 x .880) | | 1 | |
| 6 | 0018 | 32857 | COTTER PIN | | 1 | |
| 7 | 0024 | 98880 | SPRING | | 1 | |
| 8 | 0012 | 56720 | WASHER (.330 x .750 x .060) Stainless Steel | | 2 | |
| 9 | 0012 | 35462 | WASHER (.2656 x .625 x .0625) Stainless Steel | | 5 | |
| 10 | 0011 | 8267119 | NUT (.250-28) | | 2 | |
| 11 | 0016 | 96112 | STUD (.250-28 x 2.00) Throttle Cable Anchor | | 1 | |
| 12 | 0011 | 63341 | TEE NUT | | 1 | |
| 13 | 0000 | 138981 | LEVER | | 1 | |
| 14 | 0010 | 13743 | SCREW (.312-18 x 1.843) | | 1 | |
| 15 | 0017 | 68402 | PIN (.250 x 1.13) | | 1 | |
| 16 | 0018 | 21071 | COTTER PIN | | 1 | |
| 17 | 0010 | 854118 | SCREW (M8 x 20) | | 2 | |
| 18 | 0013 | 811460 | LOCKWASHER | | 2 | |

Engine Cover



14261

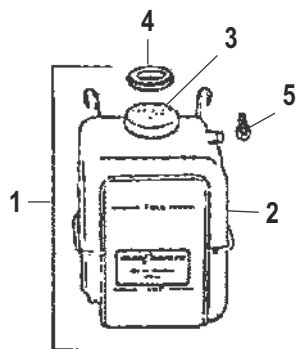
Cat.# 90-854190

Engine Cover

| Ref # | Part Class | Part Number | Description | Comments | Qty | Note |
|-------|------------|-------------|------------------|----------|-----|------|
| 1 | 0000 | 855515 | COVER Engine Top | (2.8L) | 1 | |
| 1 | 0000 | 854018 | ENGINE COVER | (4.2L) | 1 | |
| 2 | 0010 | 855465 | SCREW (M8 x 60) | | 2 | |
| 3 | 0010 | 855520 | SCREW (M8 x 25) | | 2/3 | |
| 4 | 0012 | 811455 | WASHER | | 4/5 | |
| 5 | 0025 | 854020 | GROMMET | | 5/7 | |
| 6 | 0023 | 854021 | SPACER | | 4/5 | |
| 7 | 0000 | 854022 | SPACER | | 1 | |
| 8 | 0010 | 40001124 | SCREW (M8 x 14) | | 1 | |

Engine Cover

Coolant Recovery



14262

Coolant Recovery

| Ref # | Part Class | Part Number | Description | Comments | Qty | Note |
|--------------|-------------------|--------------------|----------------------|-----------------|------------|-------------|
| 1 | 0000 | 71587A10 | RECOVERY KIT Coolant | | 1 | |
| 2 | 0000 | 71587A11 | BOTTLE Plastic | | 1 | |
| 3 | 0000 | 72058 | CAP | | 1 | |
| 4 | 0027 | 71614 | GASKET | | 1 | |
| 5 | 0010 | 85181 | BOLT | | 2 | |
| 6 | 0032 | 1983389 | HOSE | | 1 | |

PRIMARY STATION INSTRUMENTATION

PRIMARY STATION INSTRUMENTATION

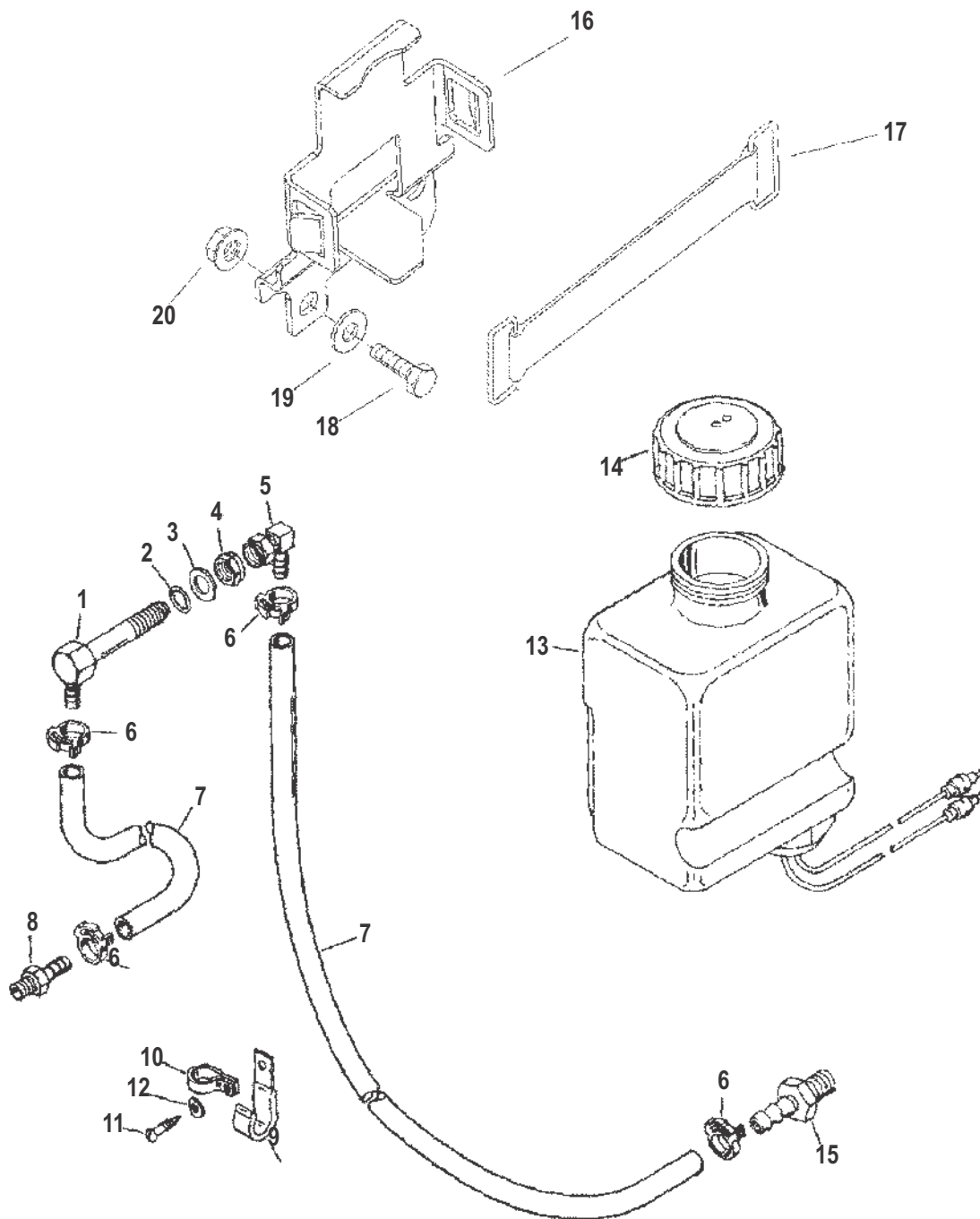
| Ref # | Part Class | Part Number | Description | Comments | Qty | Note |
|-------|------------|-------------|---------------------------------|---------------------|-----|------|
| - | 0000 | 861014 | PANEL | | 1 | |
| - | 0067 | 831424A2 | LIGHT BULB | | A/R | |
| - | 0067 | 831424 | LIGHT BULB | | A/R | |
| - | 0087 | 805678 | KEY SWITCH | | 1 | |
| - | 0087 | 805675A1 | TOGGLE SWITCH | | 1 | |
| - | 0079 | 817033A1 | TRIM GAUGE KIT | | 1 | |
| - | 0079 | 817032A1 | BATTERY GAUGE KIT | | 1 | |
| - | 0079 | 805288A1 | GAUGE KIT Water Temperature | | 1 | |
| - | 0079 | 805287A1 | OIL PRESSURE GAUGE KIT | | 1 | |
| - | 0079 | 816833A1 | TACHOMETER GAUGE KIT | | 1 | |
| - | 0079 | 818163A1 | CRUISELOG GAUGE KIT | | 1 | |
| - | 0000 | 817315 | BEZEL | | 1 | |
| - | 0000 | 817311 | BEZEL (TACHOMETER) | | 1 | |
| - | 0000 | 817309 | BRACKET | | 1 | |
| - | 0000 | 817308 | BRACKET (TACHOMETER) | | 1 | |
| - | 0011 | 26419 | NUT (#8-32) Brass | | 6 | |
| - | 0084 | 855389 | HARNESS ASSEMBLY Instrument | (AMP CONNECTOR) | 1 | |
| - | 0084 | 855390 | HARNESS ASSEMBLY Extension (7M) | (AMP CONNECTOR) | 1 | |
| - | 0084 | 860618 | HARNESS ASSEMBLY Instrument | (DEUTSCH CONNECTOR) | 1 | |
| - | 0084 | 860616 | HARNESS ASSEMBLY (23 Feet) | (DEUTSCH CONNECTOR) | 1 | |
| - | 0088 | 812619 | FUSE Yellow - 20 Ampere | | 1 | |
| - | 0084 | 881745 | DIODE | | 1 | |
| - | 0087 | 855386 | POWER RELAY | | 1 | |

SECONDARY STATION INSTRUMENTATION

SECONDARY STATION INSTRUMENTATION

| Ref # | Part Class | Part Number | Description | Comments | Qty | Note |
|-------|------------|-------------|-----------------------------|---------------------|-----|------|
| - | 0000 | 861428 | PANEL | | 1 | |
| - | 0087 | 805675A1 | TOGGLE SWITCH | | 1 | |
| - | 0087 | 805676A1 | SWITCH | | 1 | |
| - | 0087 | 805677A1 | SWITCH | | 1 | |
| - | 0084 | 802667 | HARNESS ASSEMBLY Instrument | (AMP CONNECTOR) | 1 | |
| - | 0084 | 850781 | HARNESS ASSEMBLY Extension | (AMP CONNECTOR) | 1 | |
| - | 0084 | 850782 | HARNESS ASSEMBLY Y Style | (AMP CONNECTOR) | 1 | |
| - | 0084 | 860618 | HARNESS ASSEMBLY Instrument | (DEUTSCH CONNECTOR) | 1 | |
| - | 0084 | 860615 | HARNESS ASSEMBLY (13 Feet) | (DEUTSCH CONNECTOR) | 1 | |
| - | 0084 | 860617 | HARNESS ASSEMBLY | (DEUTSCH CONNECTOR) | 1 | |
| - | 0000 | 49734 | SENDER | | 1 | |
| - | 0000 | 805268 | SENDER | | 1 | |

Oil Reservoir Components (STERNDRIVE)

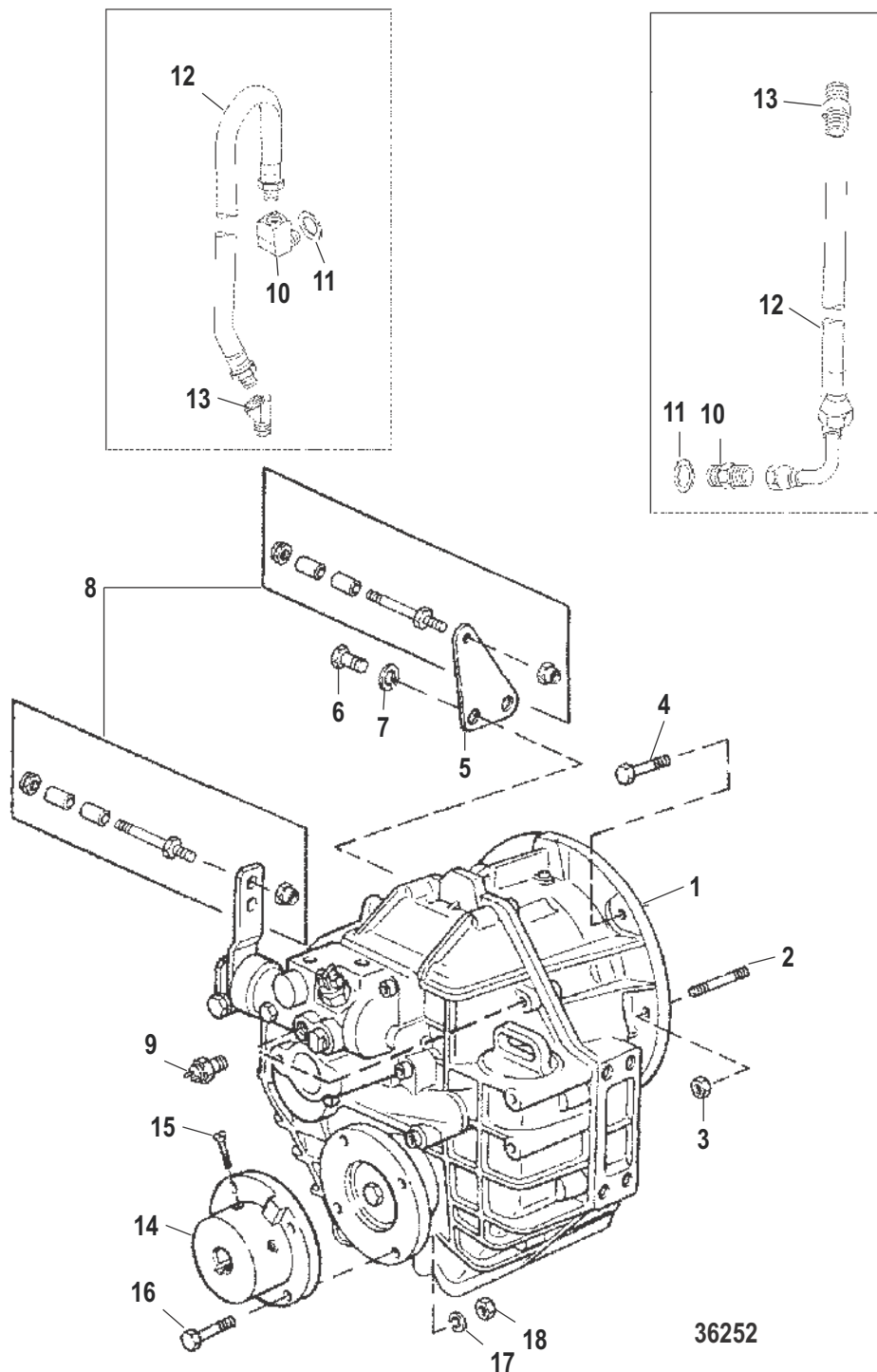


12826

Oil Reservoir Components (STERNDRIVE)

| Ref # | Part Class | Part Number | Description | Comments | Qty | Note |
|-------|------------|-------------|--|----------|-----|------|
| 1 | 0022 | 18922 | CONNECTOR | | 1 | |
| 2 | 0025 | 201951 | O-RING (.487 x .103) | | 1 | |
| 3 | 0012 | 861854 | WASHER (.453 x .750 x .032) Stainless Steel | | 1 | |
| 4 | 0011 | 35053 | NUT (.437-20) | | 1 | |
| 5 | 0022 | 18923 | FITTING | | 1 | |
| 6 | 0054 | 415825 | CLAMP Nylon | | 4 | |
| 7 | 0032 | 1940971 | HOSE (54.00 Inches Bulk) | | 2 | |
| 8 | 0022 | 16739 | CONNECTOR | | 1 | |
| 9 | 0054 | 642351 | J CLIP | | 1 | |
| 10 | 0054 | 23567 | CLIP | | 1 | |
| 11 | 0010 | 60605 | SCREW (#10-16 x .750) | | 1 | |
| 12 | 0000 | 69205 | C WASHER | | 1 | |
| 13 | 0000 | 806193A33 | MONITOR ASSEMBLY Oil Drive Lube | | 1 | |
| 14 | 0036 | 8067271 | CAP Drive Lube Monitor | | 1 | |
| 15 | 0022 | 808624 | CONNECTOR Straight | | 1 | |
| 16 | 0000 | 860065A1 | BRACKET KIT Oil Bottle | | 1 | |
| 17 | 0000 | 808023T | STRAP Bracket | | 1 | |
| 18 | 0010 | 854155 | SCREW (M10 x 30) | | 2 | |
| 19 | 0012 | 811479 | WASHER | | 2 | |
| 20 | 0011 | 854122 | NUT (M10) | | 2 | |

TRANSMISSION AND RELATED PARTS (INBOARD)



TRANSMISSION AND RELATED PARTS (INBOARD)

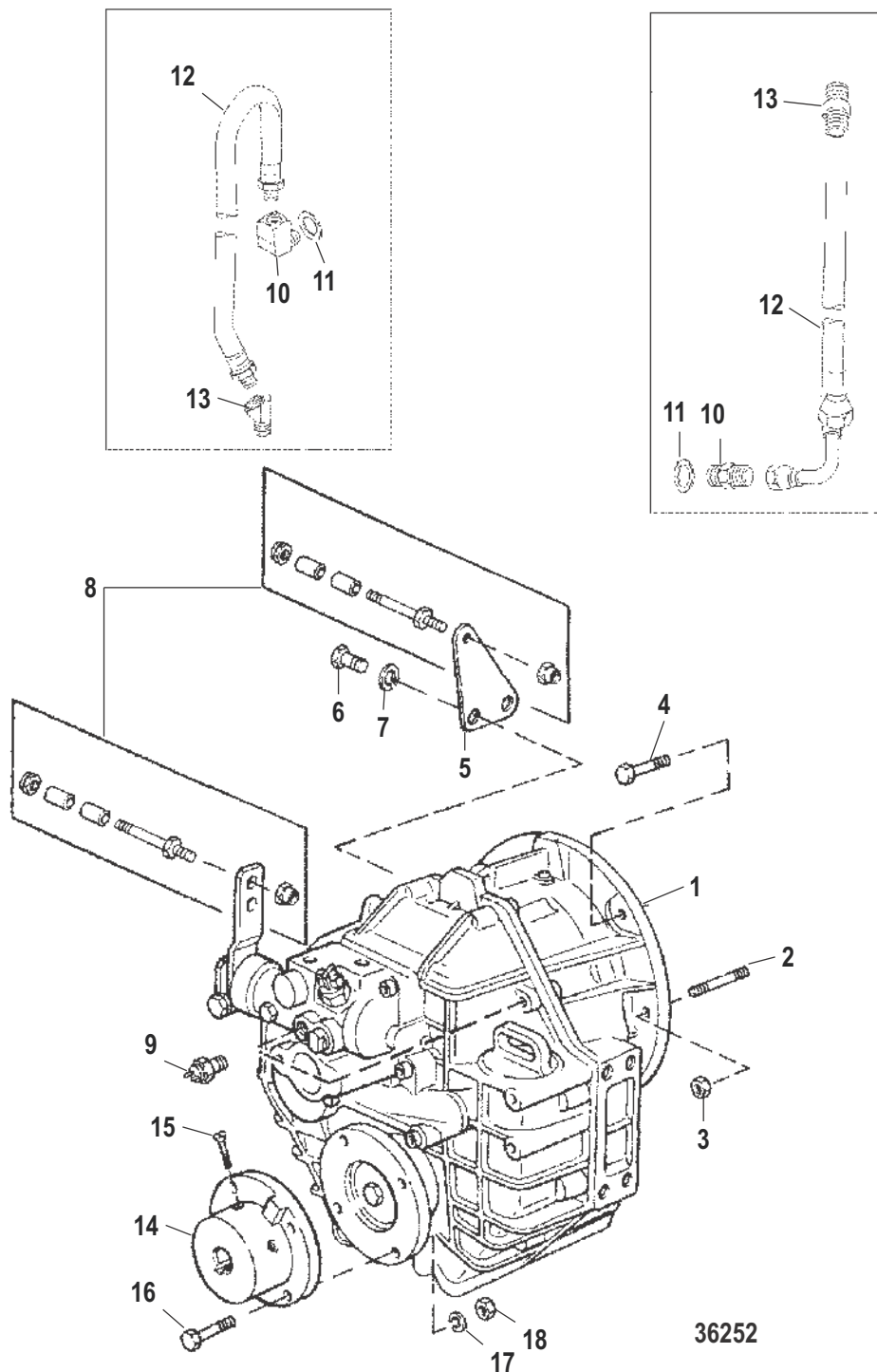
TRANSMISSION AND RELATED PARTS (INBOARD)

| Ref # | Part Class | Part Number | Description | Comments | Qty | Note |
|-------|------------|-------------|---------------------------------|--|-----|------|
| 1 | 0000 | 863744T2 | TRANSMISSION (1.5:1 Ratio) | DOWN ANGLE | 1 | [1] |
| 1 | 0000 | 18901A1 | TRANSMISSION (2.0:1 Ratio) | DOWN ANGLE | 1 | [2] |
| 1 | 0000 | 863744T4 | TRANSMISSION (2.50:1 Ratio) | DOWN ANGLE | 1 | [3] |
| 1 | 0000 | 863745T2 | TRANSMISSION (1.5:1 Ratio) | V-DRIVE | 1 | [4] |
| 1 | 0000 | 863745T3 | TRANSMISSION (2.0:1 Ratio) | V-DRIVE | 1 | [5] |
| 1 | 0000 | 863745T4 | TRANSMISSION (2.5:1 Ratio) | V-DRIVE | 1 | [6] |
| 2 | 0016 | 910002 | STUD | | 2 | |
| 3 | 0011 | 809922113 | NUT | Refer to MerCruiser Parts Bulletin 95-24 | 2 | |
| 4 | 0010 | 809913837 | SCREW | Refer to MerCruiser Parts Bulletin 95-24 | 2 | |
| 5 | 0000 | 806238 | BRACKET | | 1 | |
| 6 | 0010 | 809919969 | SCREW | | 2 | |
| 7 | 0013 | 400247 | LOCKWASHER (M8) | | 2 | |
| 8 | 0016 | 97477A3 | STUD KIT | | 2 | |
| 9 | 0087 | 88031 | SWITCH ASSEMBLY | | 1 | |
| 10 | 0022 | 35580 | FITTING To Oil Cooler | DESIGN 1 | 2 | |
| 10 | 0022 | 855517 | ELBOW To Transmission | DESIGN 2 | 2 | |
| 11 | 0012 | 855516 | WASHER | | 2 | |
| 12 | 0032 | 8126998 | HOSE ASSEMBLY (37.00 Inches) | DESIGN 1 | 1 | |
| 12 | 0032 | 81269939 | HOSE (39.00 Inches Bulk) | DESIGN 1 | 1 | |
| 12 | 0032 | 855518 | HOSE Oil (85 cm) | DESIGN 2 | 1 | |
| 12 | 0032 | 855519 | HOSE Oil (93 cm) | DESIGN 2 | 1 | |
| 13 | 0022 | 63835 | ELBOW 45 Degree To Transmission | DESIGN 1 | 2 | |
| 13 | 0022 | 803174 | ELBOW To Oil Cooler | DESIGN 2 | 2 | |
| 14 | 0000 | 79476A1 | FLANGE ASSEMBLY (5.00 x 1.00) | | OPT | |
| 14 | 0000 | 79476A2 | FLANGE ASSEMBLY (5.00 x 1.125) | | OPT | |
| 14 | 0000 | 79476A3 | FLANGE ASSEMBLY (5.00 x 1.25) | | OPT | |
| 14 | 0000 | 79476A4 | FLANGE ASSEMBLY (5.00 x 1.375) | | OPT | |
| 14 | 0000 | 79476A5 | FLANGE ASSEMBLY (5.00 x 1.50) | | OPT | |
| 14 | 0000 | 79476A6 | FLANGE ASSEMBLY (5.00 x 1.75) | | OPT | |
| 14 | 0000 | 79476A7 | FLANGE ASSEMBLY (5.00 x 2.00) | | OPT | |
| 15 | 0010 | 60171 | SCREW (.375-16 x 1.250) | | 2 | |
| 15 | 0010 | 60169 | SCREW (.375-16 x .750) | | 2 | |
| 16 | 0010 | 805159 | SCREW (.437-20 x 1.500) | | 4 | |
| 17 | 0013 | 32993 | LOCKWASHER (.437) | | 4 | |
| 18 | 0011 | 22024 | NUT (.437-14) | | 4 | |
| - | 0000 | 877523 | VALVE | | OPT | |

PART NOTES:

- [1] - Alternate part numbers:
863744T 2QS
896346701QS

TRANSMISSION AND RELATED PARTS (INBOARD)

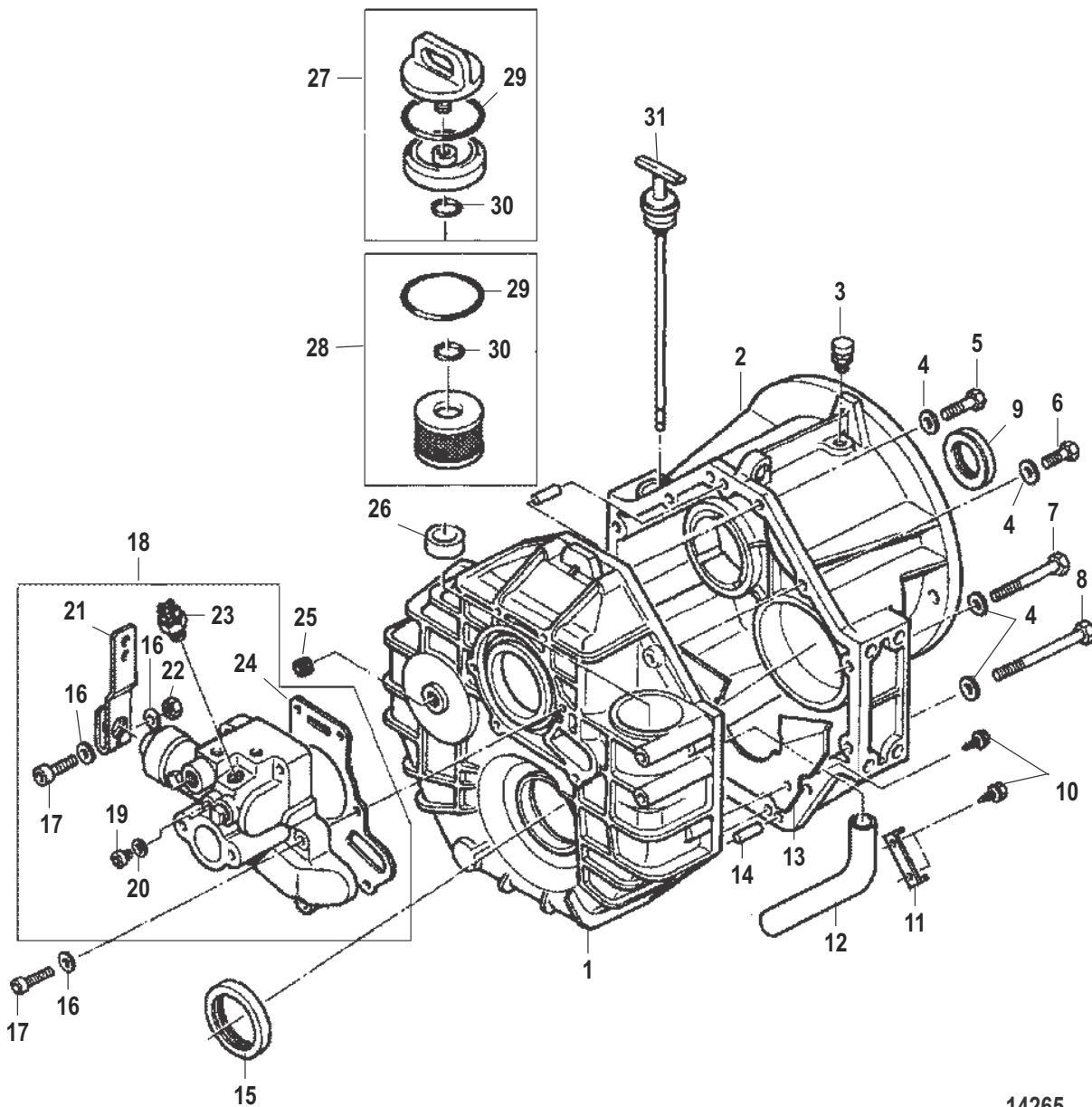


TRANSMISSION AND RELATED PARTS (INBOARD)

TRANSMISSION AND RELATED PARTS (INBOARD)

- [2] - Alternate part numbers:
 - 18901A 1QS
 - 863744R03Reman
- [3] - Alternate part numbers:
 - 863744R04Reman
 - 863744T 4QS
 - 896346703QS
- [4] - Alternate part numbers:
 - 863745R02Reman
 - 863745T 2QS
 - 896346707QS
- [5] - Alternate part numbers:
 - 863745R03Reman
 - 863745T 3QS
 - 896346708QS
- [6] - Alternate part numbers:
 - 863745R04Reman
 - 863745T 4QS
 - 896346709QS

TRANSMISSION (DOWN ANGLE)(INBOARD)



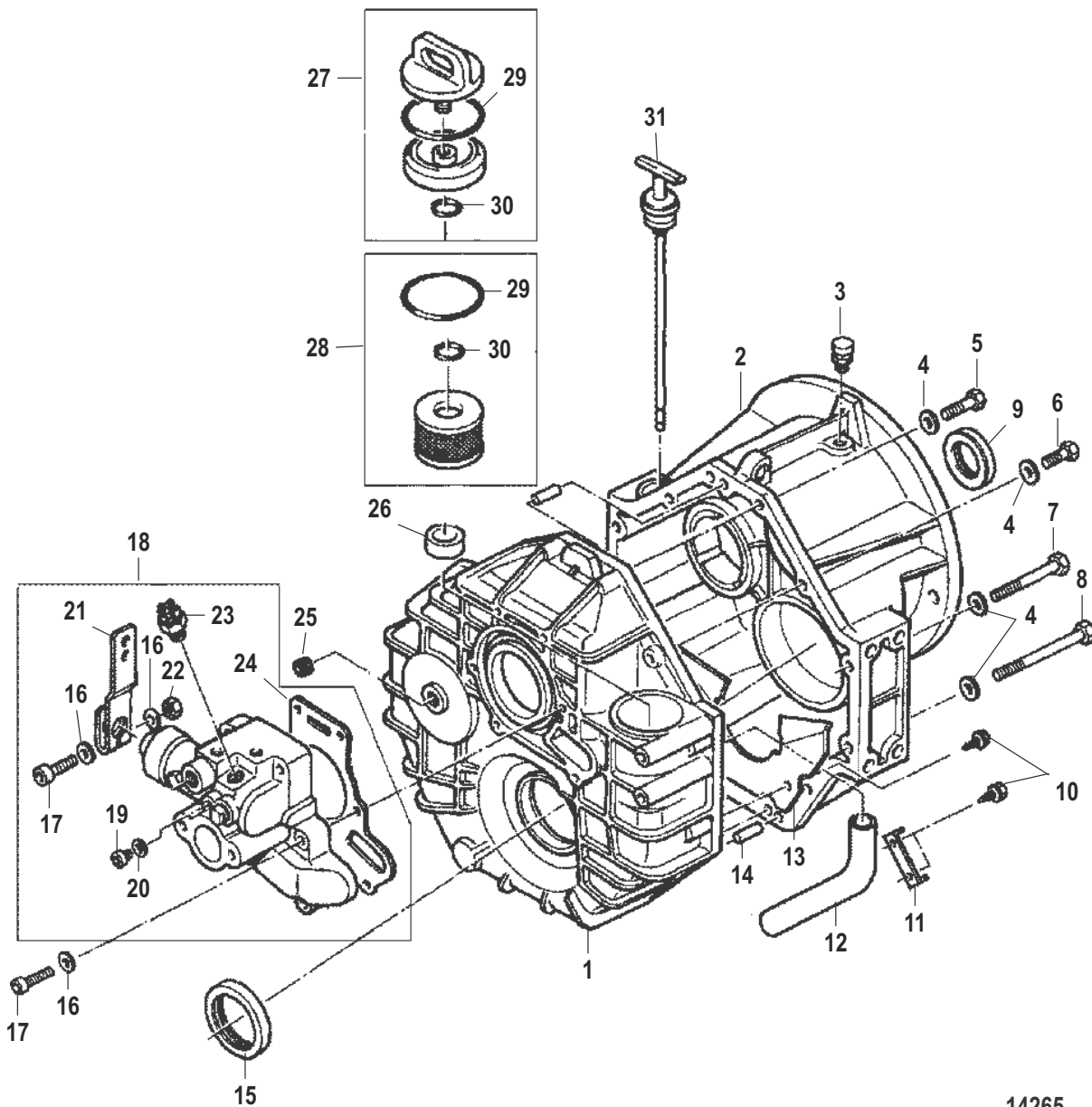
14265

TRANSMISSION (DOWN ANGLE)(INBOARD)

| Ref # | Part Class | Part Number | Description | Comments | Qty | Note |
|-------|------------|-------------|--------------------------------------|--|-----|------|
| - | 0000 | 863744T2 | TRANSMISSION (1.5:1 Ratio) | | 1 | [1] |
| - | 0000 | 18901A1 | TRANSMISSION (2.0:1 Ratio) | | 1 | [2] |
| - | 0000 | 863744T4 | TRANSMISSION (2.50:1 Ratio) | | 1 | [3] |
| 1 | 0000 | 813278 | HOUSING | Refer to MerCruiser Parts Bulletin 95-24 | 1 | |
| 2 | 0000 | 813279 | COVER | Refer to MerCruiser Parts Bulletin 95-24 | 1 | |
| 3 | 0000 | 813280 | VENT CAP | | 1 | |
| 4 | 0013 | 813281 | LOCKWASHER | Refer to MerCruiser Parts Bulletin 95-24 | 12 | |
| 5 | 0010 | 813282 | SCREW | | 5 | |
| 6 | 0010 | 813283 | SCREW | Refer to MerCruiser Parts Bulletin 95-24 | 1 | |
| 7 | 0010 | 813284 | SCREW | Refer to MerCruiser Parts Bulletin 95-24 | 4 | |
| 8 | 0010 | 813285 | SCREW | Refer to MerCruiser Parts Bulletin 95-24 | 2 | |
| 9 | 0026 | 813286 | SEAL | | 1 | |
| 10 | 0010 | 813287 | SCREW | Refer to MerCruiser Parts Bulletin 95-24 | 4 | |
| 11 | 0000 | 813288 | PLATE Retaining | | 1 | |
| 12 | 0032 | 813289 | HOSE | Refer to MerCruiser Parts Bulletin 95-24 | 1 | |
| 13 | 0000 | 813290 | PLATE Baffle | Refer to MerCruiser Parts Bulletin 95-24 | 1 | |
| 14 | 0017 | 813291 | PIN Dowel | Refer to MerCruiser Parts Bulletin 95-24 | 2 | |
| 15 | 0026 | 813292 | SEAL | | 1 | |
| 16 | 0013 | 813293 | LOCKWASHER | Refer to MerCruiser Parts Bulletin 95-24 | 7 | |
| 17 | 0010 | 813294 | SCREW | | 7 | |
| 18 | 0000 | 813295 | CONTROL BLOCK | | 1 | |
| 19 | 0010 | 813296 | SCREW | | 1 | |
| 20 | 0012 | 813297 | WASHER | Refer to MerCruiser Parts Bulletin 95-24 | 1 | |
| 21 | 0000 | 813298 | LEVER Shift | Refer to MerCruiser Parts Bulletin 95-24 | 1 | |
| 22 | 0011 | 813299 | NUT | Refer to MerCruiser Parts Bulletin 95-24 | 1 | |
| 23 | 0087 | 813300 | SWITCH | | 1 | |
| 24 | 0027 | 813301 | GASKET | | 1 | |
| 25 | 0022 | 813302 | PLUG | Refer to MerCruiser Parts Bulletin 95-24 | 1 | |
| 26 | 0012 | 813303 | WASHER | Refer to MerCruiser Parts Bulletin 95-24 | 1 | |
| 27 | 0036 | 811940 | COVER KIT (INCLUDES REF. #29 and 30) | Refer to MerCruiser Parts Bulletin 95-24 | 1 | |
| 28 | 0035 | 815419 | FLUID FILTER KIT | | 1 | |
| 29 | 0025 | 813407 | O-RING | | 1 | |
| 30 | 0025 | 813406 | O-RING | | 1 | |
| 31 | 0000 | 813305 | DIPSTICK | | 1 | |

TRANSMISSION (DOWN ANGLE)(INBOARD)

TRANSMISSION (DOWN ANGLE)(INBOARD)



14265

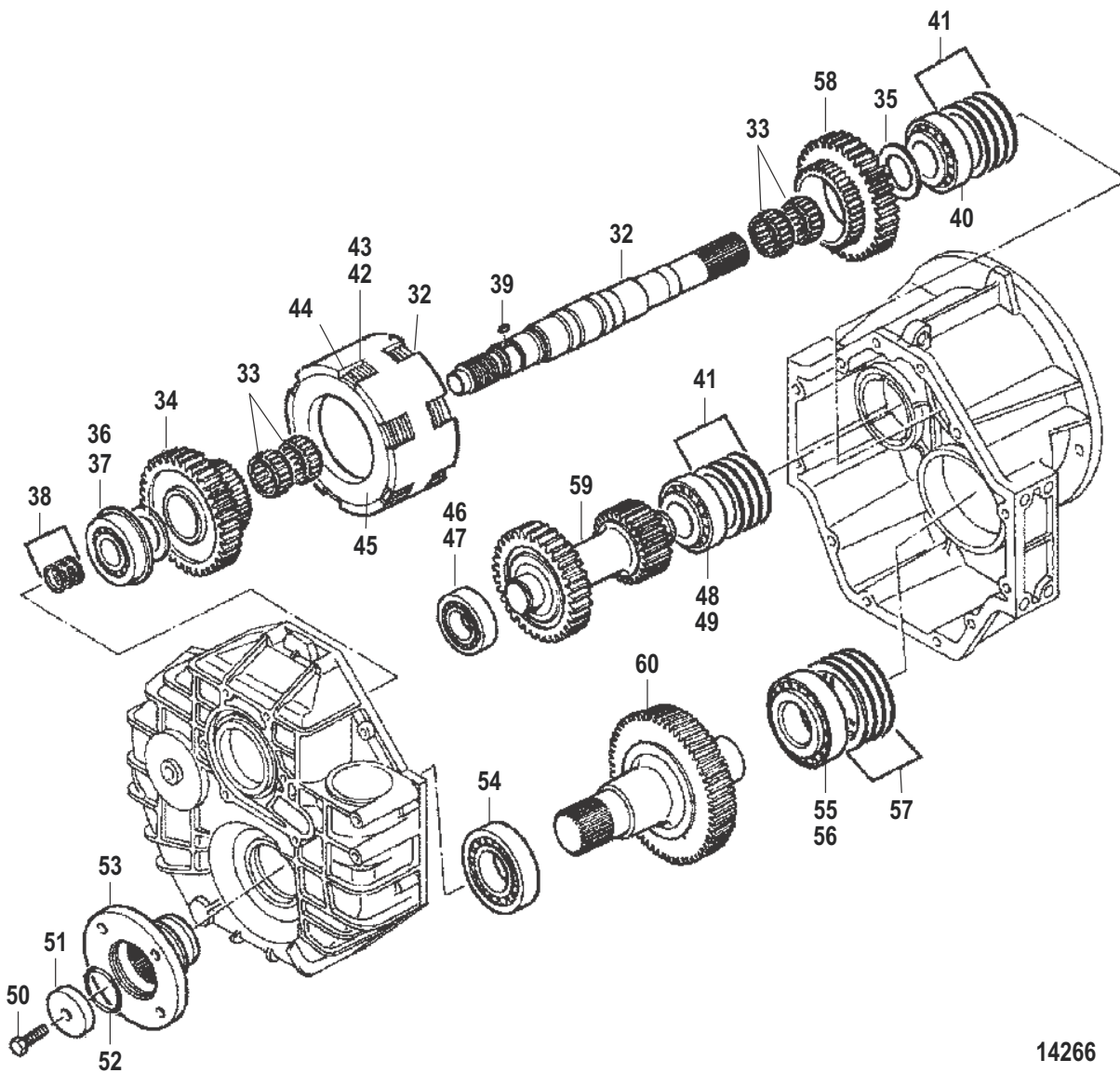
TRANSMISSION (DOWN ANGLE)(INBOARD)

TRANSMISSION (DOWN ANGLE)(INBOARD)

PART NOTES:

- [1] - Alternate part numbers:
863744T 2QS
896346701QS
- [2] - Alternate part numbers:
18901A 1QS
863744R03Reman
- [3] - Alternate part numbers:
863744R04Reman
863744T 4QS
896346703QS

TRANSMISSION (DOWN ANGLE)(INBOARD)



14266

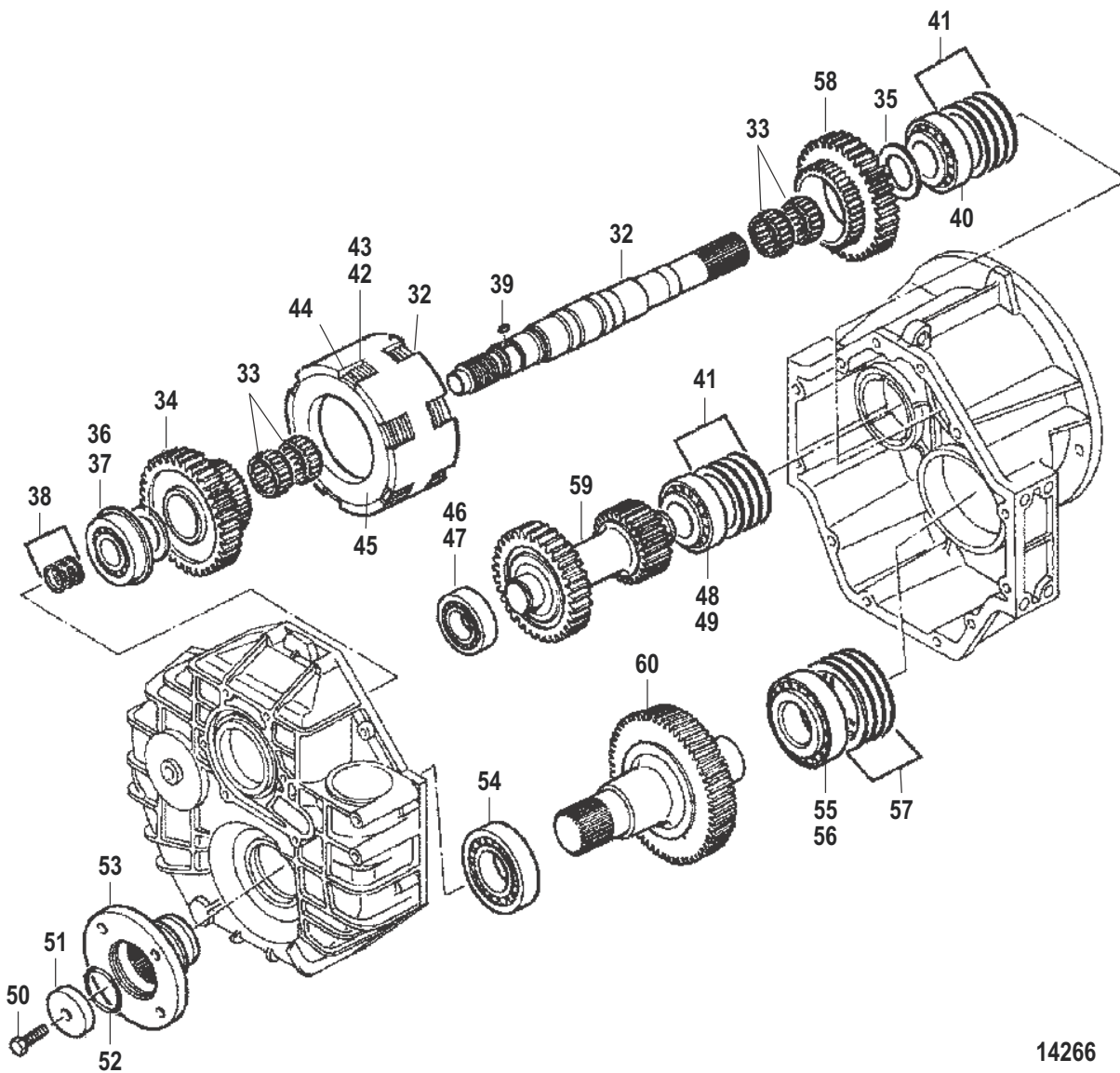
TRANSMISSION (DOWN ANGLE)(INBOARD)

TRANSMISSION (DOWN ANGLE)(INBOARD)

| Ref # | Part Class | Part Number | Description | Comments | Qty | Note |
|-------|------------|-------------|-----------------------------|--|-----|------|
| - | 0000 | 863744T2 | TRANSMISSION (1.5:1 Ratio) | | 1 | [1] |
| - | 0000 | 18901A1 | TRANSMISSION (2.0:1 Ratio) | | 1 | [2] |
| - | 0000 | 863744T4 | TRANSMISSION (2.50:1 Ratio) | | 1 | [3] |
| 32 | 0000 | 813306 | SHAFT Input | Refer to MerCruiser Parts Bulletin 95-24 | 1 | |
| 33 | 0031 | 813307 | BEARING Roller | Refer to MerCruiser Parts Bulletin 95-24 | 4 | |
| 34 | 0043 | 813308 | GEAR | Refer to MerCruiser Parts Bulletin 95-24 | 1 | |
| 35 | 0012 | 813309 | WASHER | Refer to MerCruiser Parts Bulletin 95-24 | 2 | |
| 36 | 0031 | 852066 | BEARING | (INNER) | 1 | |
| 37 | 0028 | 853066 | KEY | (OUTER) | 1 | |
| 38 | 0053 | 813312 | RING | | 3 | |
| 39 | 0028 | 813313 | KEY | Refer to MerCruiser Parts Bulletin 95-24 | 1 | |
| 40 | 0030 | 813314 | BEARING | | 1 | |
| 41 | 0015 | 813315 | SHIM (.10 mm) | | 1 | |
| 41 | 0015 | 813316 | SHIM (.15 mm) | | 1 | |
| 41 | 0015 | 813317 | SHIM (.20 mm) | | 1 | |
| 41 | 0015 | 813318 | SHIM (.50 mm) | | 1 | |
| 42 | 0000 | 813319 | DISC (INNER) | | 4 | |
| 43 | 0000 | 813320 | DISC (OUTER) | | 5 | |
| 44 | 0053 | 813321 | RING | | 2 | |
| 45 | 0000 | 813322 | PRESSURE DISC | Refer to MerCruiser Parts Bulletin 95-24 | 2 | |
| 46 | 0031 | 813323 | BEARING Tapered Roller | (INNER) Refer to MerCruiser Parts Bulletin 95-24 | 1 | |
| 47 | 0031 | 813324 | BEARING Tapered Roller | (OUTER) Refer to MerCruiser Parts Bulletin 95-24 | 1 | |
| 48 | 0031 | 813325 | BEARING Tapered Roller | (INNER) Refer to MerCruiser Parts Bulletin 95-24 | 1 | |
| 49 | 0031 | 813326 | BEARING Tapered Roller | (OUTER) Refer to MerCruiser Parts Bulletin 95-24 | 1 | |
| 50 | 0010 | 813327 | SCREW | Refer to MerCruiser Parts Bulletin 95-24 | 1 | |
| 51 | 0023 | 813328 | SPACER | Refer to MerCruiser Parts Bulletin 95-24 | 1 | |
| 52 | 0025 | 813329 | O-RING | Refer to MerCruiser Parts Bulletin 95-24 | 1 | |
| 53 | 0000 | 813330 | FLANGE Output | | 1 | |
| 54 | 0031 | 813331 | BEARING Tapered Roller | Refer to MerCruiser Parts Bulletin 95-24 | 1 | |
| 55 | 0031 | 813332 | BEARING Tapered Roller | (INNER) Refer to MerCruiser Parts Bulletin 95-24 | 1 | |

TRANSMISSION (DOWN ANGLE)(INBOARD)

TRANSMISSION (DOWN ANGLE)(INBOARD)



14266

TRANSMISSION (DOWN ANGLE)(INBOARD)

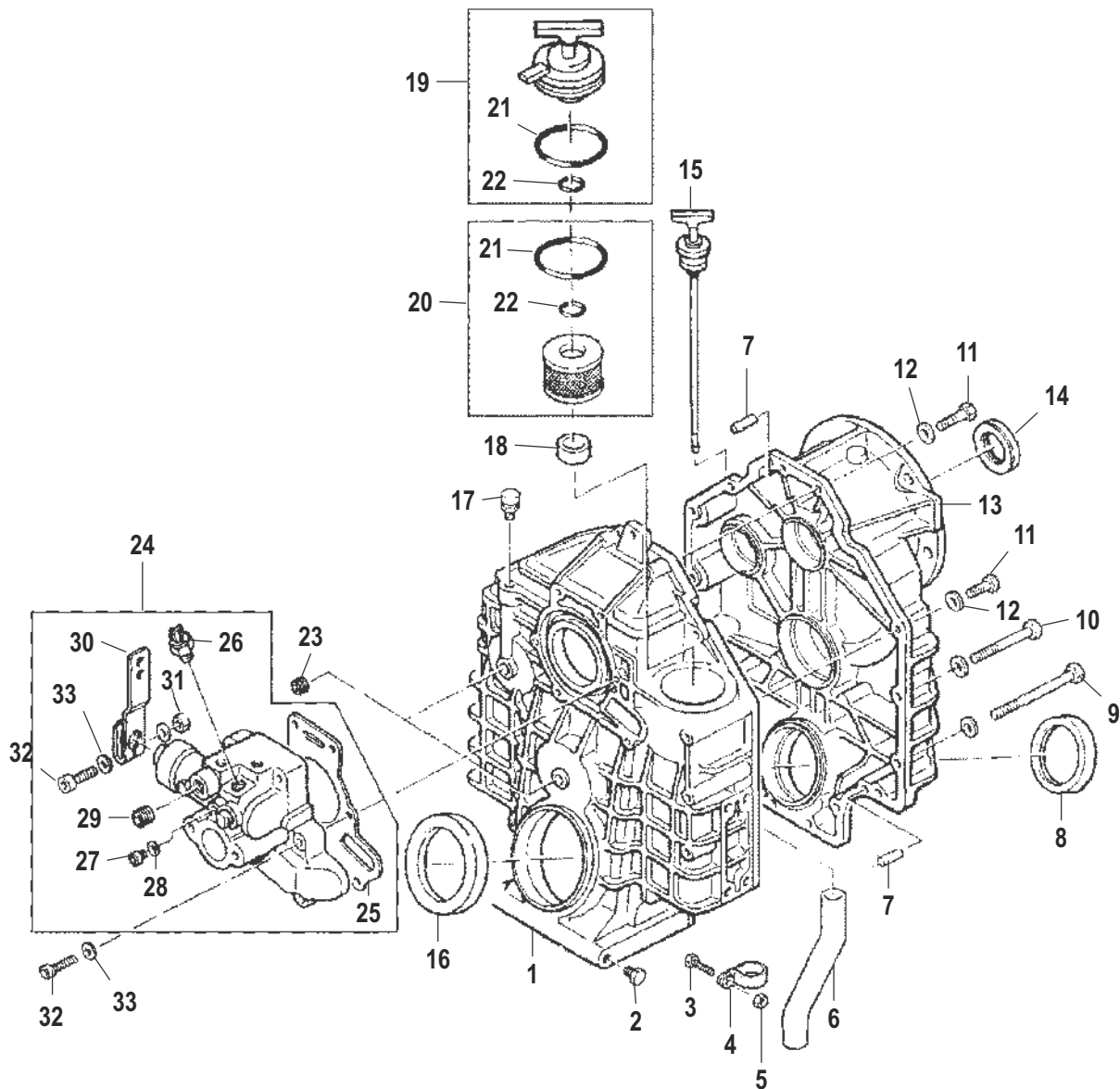
TRANSMISSION (DOWN ANGLE)(INBOARD)

| Ref # | Part Class | Part Number | Description | Comments | Qty | Note |
|-------|------------|-------------|------------------------|--|-----|------|
| 56 | 0031 | 813333 | BEARING Tapered Roller | (OUTER) Refer to MerCruiser Parts Bulletin 95-24 | 1 | |
| 57 | 0015 | 813334 | SHIM (.10 mm) | | 1 | |
| 57 | 0015 | 813335 | SHIM (.15 mm) | | 1 | |
| 57 | 0015 | 813336 | SHIM (.30 mm) | | 1 | |
| 57 | 0015 | 813337 | SHIM (.50 mm) | | 1 | |
| 58 | 0043 | 813338 | GEAR | 1.5:1 RATIO Refer to MerCruiser Parts Bulletin 95-24 | 1 | |
| 58 | 0043 | 813341 | GEAR | 2.0:1 RATIO Refer to MerCruiser Parts Bulletin 95-24 | 1 | |
| 58 | 0043 | 813344 | GEAR | 2.5:1 RATIO Refer to MerCruiser Parts Bulletin 95-24 | 1 | |
| 59 | 0000 | 813339 | SHAFT Intermediate | 1.5:1 RATIO Refer to MerCruiser Parts Bulletin 95-24 | 1 | |
| 59 | 0000 | 813342 | SHAFT Intermediate | 2.0:1 RATIO Refer to MerCruiser Parts Bulletin 95-24 | 1 | |
| 59 | 0000 | 813345 | SHAFT Intermediate | 2.5:1 RATIO Refer to MerCruiser Parts Bulletin 95-24 | 1 | |
| 60 | 0000 | 813340 | SHAFT Output | 1.5:1 RATIO Refer to MerCruiser Parts Bulletin 95-24 | 1 | |
| 60 | 0000 | 813343 | SHAFT Output | 2.0:1 RATIO Refer to MerCruiser Parts Bulletin 95-24 | 1 | |
| 60 | 0000 | 813346 | SHAFT Output | 2.5:1 RATIO Refer to MerCruiser Parts Bulletin 95-24 | 1 | |

PART NOTES:

- [1] - Alternate part numbers:
863744T 2QS
896346701QS
- [2] - Alternate part numbers:
18901A 1QS
863744R03Reman
- [3] - Alternate part numbers:
863744R04Reman
863744T 4QS
896346703QS

TRANSMISSION (V-DRIVE)(INBOARD)



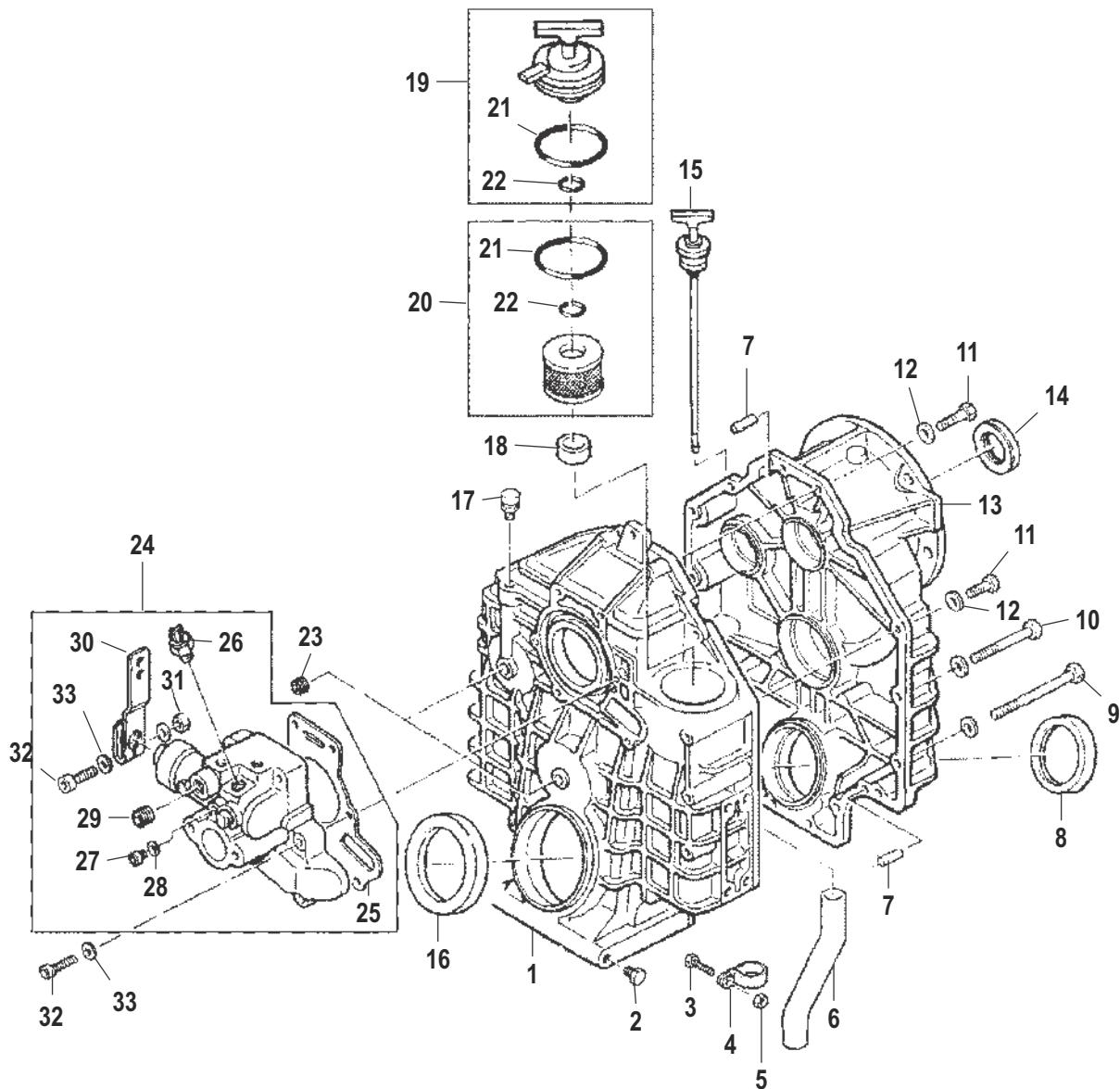
14267

TRANSMISSION (V-DRIVE)(INBOARD)

| Ref # | Part Class | Part Number | Description | Comments | Qty | Note |
|-------|------------|-------------|----------------------------|---|-----|------|
| - | 0000 | 863745T2 | TRANSMISSION (1.5:1 Ratio) | | 1 | [1] |
| - | 0000 | 863745T3 | TRANSMISSION (2.0:1 Ratio) | | 1 | [2] |
| - | 0000 | 863745T4 | TRANSMISSION (2.5:1 Ratio) | | 1 | [3] |
| 1 | 0000 | 811961 | HOUSING Control Side | Refer to MerCruiser Parts Bulletin 95-24 | 1 | |
| 2 | 0019 | 811966 | PLUG | Refer to MerCruiser Parts Bulletin 95-24 | 1 | |
| 3 | 0010 | 811953 | SCREW | Refer to MerCruiser Parts Bulletin 95-24 | 1 | |
| 4 | 0054 | 811965 | CLAMP | Refer to MerCruiser Parts Bulletin 95-24 | 1 | |
| 5 | 0011 | 811954 | NUT | Refer to MerCruiser Parts Bulletin 95-24 | 1 | |
| 6 | 0032 | 811962 | HOSE Suction | Refer to MerCruiser Parts Bulletin 95-24 | 1 | |
| 7 | 0017 | 813291 | PIN Dowel | Refer to MerCruiser Parts Bulletin 95-24 | 2 | |
| 8 | 0026 | 811957 | SEAL | | 1 | |
| 9 | 0010 | 813285 | SCREW | Refer to MerCruiser Parts Bulletin 95-24 | 2 | |
| 10 | 0010 | 813284 | SCREW | Refer to MerCruiser Parts Bulletin 95-24 | 2 | |
| 11 | 0010 | 813282 | SCREW | | 12 | |
| 12 | 0013 | 813281 | LOCKWASHER | Refer to MerCruiser Parts Bulletin 95-24 | 16 | |
| 13 | 0000 | 811960 | HOUSING Input Side | Refer to MerCruiser Parts Bulletin 95-24 | 1 | |
| 14 | 0026 | 813286 | SEAL | | 1 | |
| 15 | 0000 | 811964 | DIPSTICK | | 1 | |
| 16 | 0026 | 811956 | SEAL | | 1 | |
| 17 | 0000 | 813280 | VENT CAP | | 1 | |
| 18 | 0012 | 813303 | WASHER | Refer to MerCruiser Parts Bulletin 95-24 | 1 | |
| 19 | 0036 | 811963 | COVER KIT | (INCLUDES REF. #21 & 22) Refer to MerCruiser Parts Bulletin 95-24 | 1 | |
| 20 | 0035 | 815419 | FLUID FILTER KIT | | 1 | |
| 21 | 0025 | 813407 | O-RING | | 1 | |
| 22 | 0025 | 813406 | O-RING | Refer to MerCruiser Parts Bulletin 95-24 | 1 | |
| 23 | 0022 | 813302 | PLUG | | 2 | |
| 24 | 0000 | 813295 | CONTROL BLOCK | | 1 | |
| 25 | 0027 | 813301 | GASKET | | 1 | |
| 26 | 0087 | 813300 | SWITCH | | 1 | |
| 27 | 0010 | 813296 | SCREW | | 1 | |
| 28 | 0012 | 811958 | WASHER | Refer to MerCruiser Parts Bulletin 95-24 | 1 | |
| 29 | 0022 | 811959 | PLUG | Refer to MerCruiser Parts Bulletin 95-24 | 1 | |
| 30 | 0000 | 813298 | LEVER Shift | Refer to MerCruiser Parts Bulletin 95-24 | 1 | |

TRANSMISSION (V-DRIVE)(INBOARD)

TRANSMISSION (V-DRIVE)(INBOARD)



14267

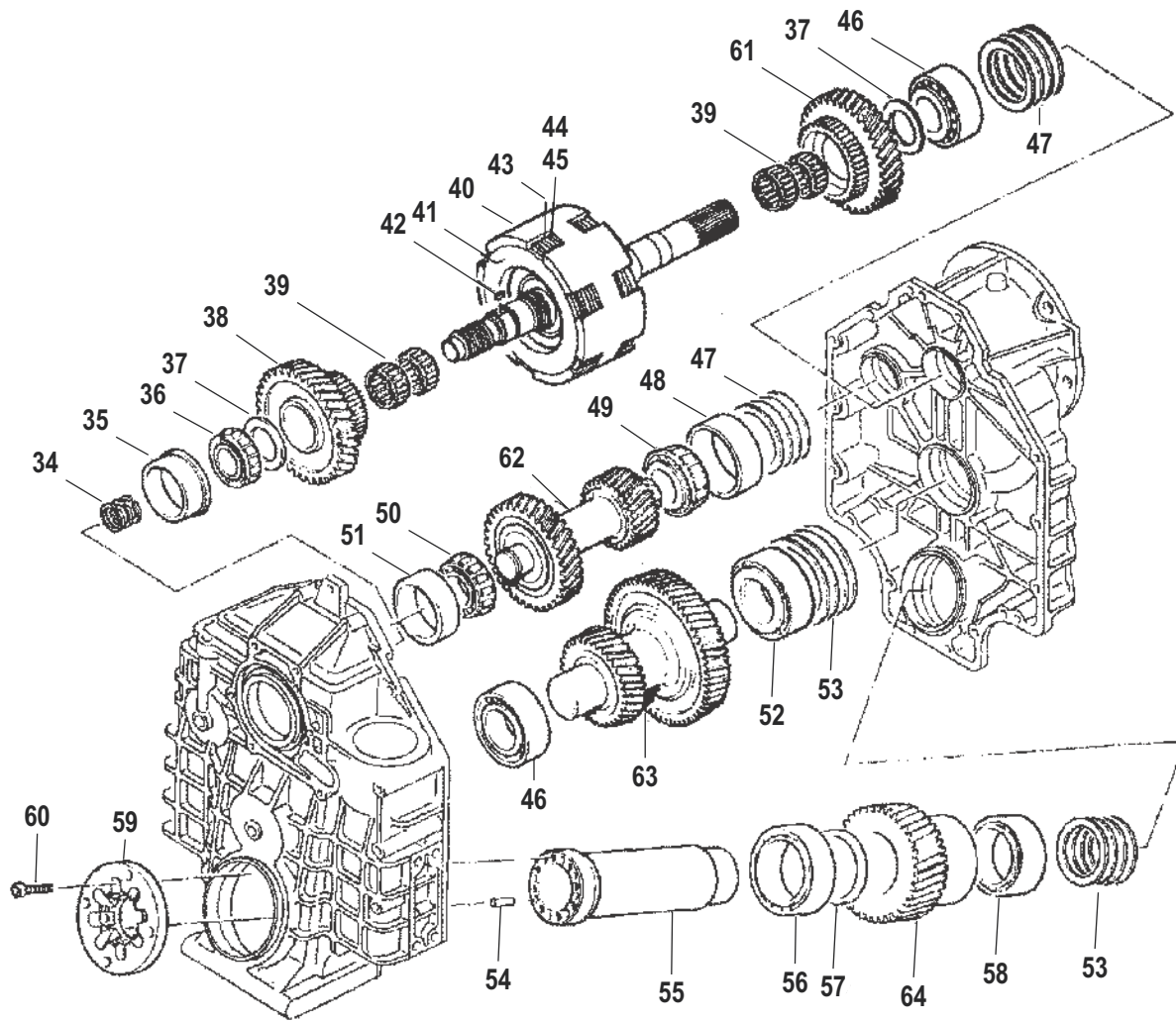
TRANSMISSION (V-DRIVE)(INBOARD)

| Ref # | Part Class | Part Number | Description | Comments | Qty | Note |
|-------|------------|-------------|-------------|--|-----|------|
| 31 | 0011 | 813299 | NUT | Refer to MerCruiser Parts Bulletin 95-24 | 1 | |
| 32 | 0010 | 813294 | SCREW | | 7 | |
| 33 | 0013 | 813293 | LOCKWASHER | | 7 | |

PART NOTES:

- [1] - Alternate part numbers:
863745R02Reman
863745T 2QS
896346707QS
- [2] - Alternate part numbers:
863745R03Reman
863745T 3QS
896346708QS
- [3] - Alternate part numbers:
863745R04Reman
863745T 4QS
896346709QS

TRANSMISSION (V-DRIVE)(INBOARD)



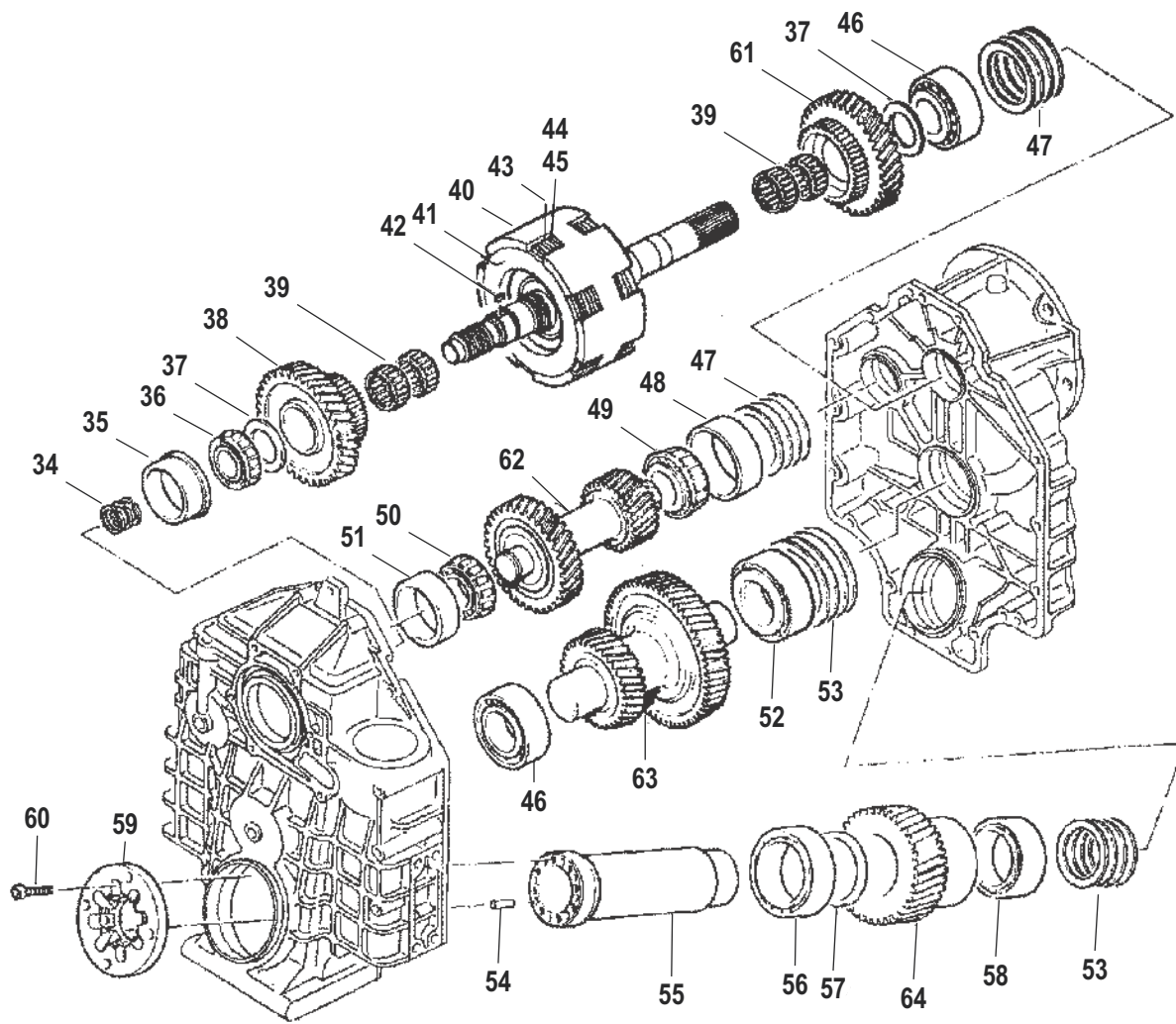
14216

TRANSMISSION (V-DRIVE)(INBOARD)

| Ref # | Part Class | Part Number | Description | Comments | Qty | Note |
|-------|------------|-------------|-----------------------------|---|-----|------|
| - | 0000 | 863745T2 | TRANSMISSION (1.5:1 Ratio) | | 1 | [1] |
| - | 0000 | 863745T3 | TRANSMISSION (2.0:1 Ratio) | | 1 | [2] |
| - | 0000 | 863745T4 | TRANSMISSION (2.5:1 Ratio) | | 1 | [3] |
| 34 | 0053 | 813312 | RING | | 3 | |
| 35 | 0031 | 811970 | BEARING Tapered Roller Cup | Refer to MerCruiser Parts Bulletin 95-24 | 1 | |
| 36 | 0031 | 811969 | BEARING Tapered Roller Cone | Refer to MerCruiser Parts Bulletin 95-24 | 1 | |
| 37 | 0012 | 811967 | WASHER | Refer to MerCruiser Parts Bulletin 95-24 | 2 | |
| 38 | 0043 | 813308 | GEAR | Refer to MerCruiser Parts Bulletin 95-24 | 1 | |
| 39 | 0031 | 813307 | BEARING Roller | Refer to MerCruiser Parts Bulletin 95-24 | 4 | |
| 40 | 0000 | 813306 | SHAFT Input | Refer to MerCruiser Parts Bulletin 95-24 | 1 | |
| 41 | 0000 | 813322 | PRESSURE DISC | Refer to MerCruiser Parts Bulletin 95-24 | 2 | |
| 42 | 0028 | 813313 | KEY | Refer to MerCruiser Parts Bulletin 95-24 | 1 | |
| 43 | 0053 | 813321 | RING | | 2 | |
| 44 | 0000 | 813319 | DISC (INNER) | | 8 | |
| 45 | 0000 | 813320 | DISC (OUTER) | | 10 | |
| 46 | 0030 | 811968 | BEARING Ball | Refer to MerCruiser Parts Bulletin 95-24 | 2 | |
| 47 | 0015 | 813315 | SHIM (.10 mm) | | 1 | |
| 47 | 0015 | 813316 | SHIM (.15 mm) | | 1 | |
| 47 | 0015 | 813317 | SHIM (.20 mm) | | 1 | |
| 47 | 0015 | 813318 | SHIM (.50 mm) | | 1 | |
| 48 | 0031 | 811979 | BEARING Tapered Roller Cup | Refer to MerCruiser Parts Bulletin 95-24 | 1 | |
| 49 | 0031 | 811978 | BEARING Tapered Roller Cone | Refer to MerCruiser Parts Bulletin 95-24 | 1 | |
| 50 | 0031 | 811971 | BEARING Tapered Roller Cone | Refer to MerCruiser Parts Bulletin 95-24 | 1 | |
| 51 | 0031 | 811977 | BEARING Tapered Roller Cup | Refer to MerCruiser Parts Bulletin 95-24 | 1 | |
| 52 | 0031 | 811972 | BEARING Tapered Roller | Refer to MerCruiser Parts Bulletin 95-24 | 1 | |
| 53 | 0015 | 811973 | SHIM | (.10MM) Refer to MerCruiser Parts Bulletin 95-24 | 2 | |
| 53 | 0015 | 811974 | SHIM | (.15MM) Refer to MerCruiser Parts Bulletin 95-24 | 2 | |
| 53 | 0015 | 811975 | SHIM | (.30MM) (Refer to MerCruiser Parts Bulletin 95-24 | 2 | |
| 53 | 0015 | 811976 | SHIM | (.50MM) Refer to MerCruiser Parts Bulletin 95-24 | 2 | |
| 54 | 0017 | 811984 | PIN Dowel | Refer to MerCruiser Parts Bulletin 95-24 | 4 | |

TRANSMISSION (V-DRIVE)(INBOARD)

TRANSMISSION (V-DRIVE)(INBOARD)



14216

TRANSMISSION (V-DRIVE)(INBOARD)

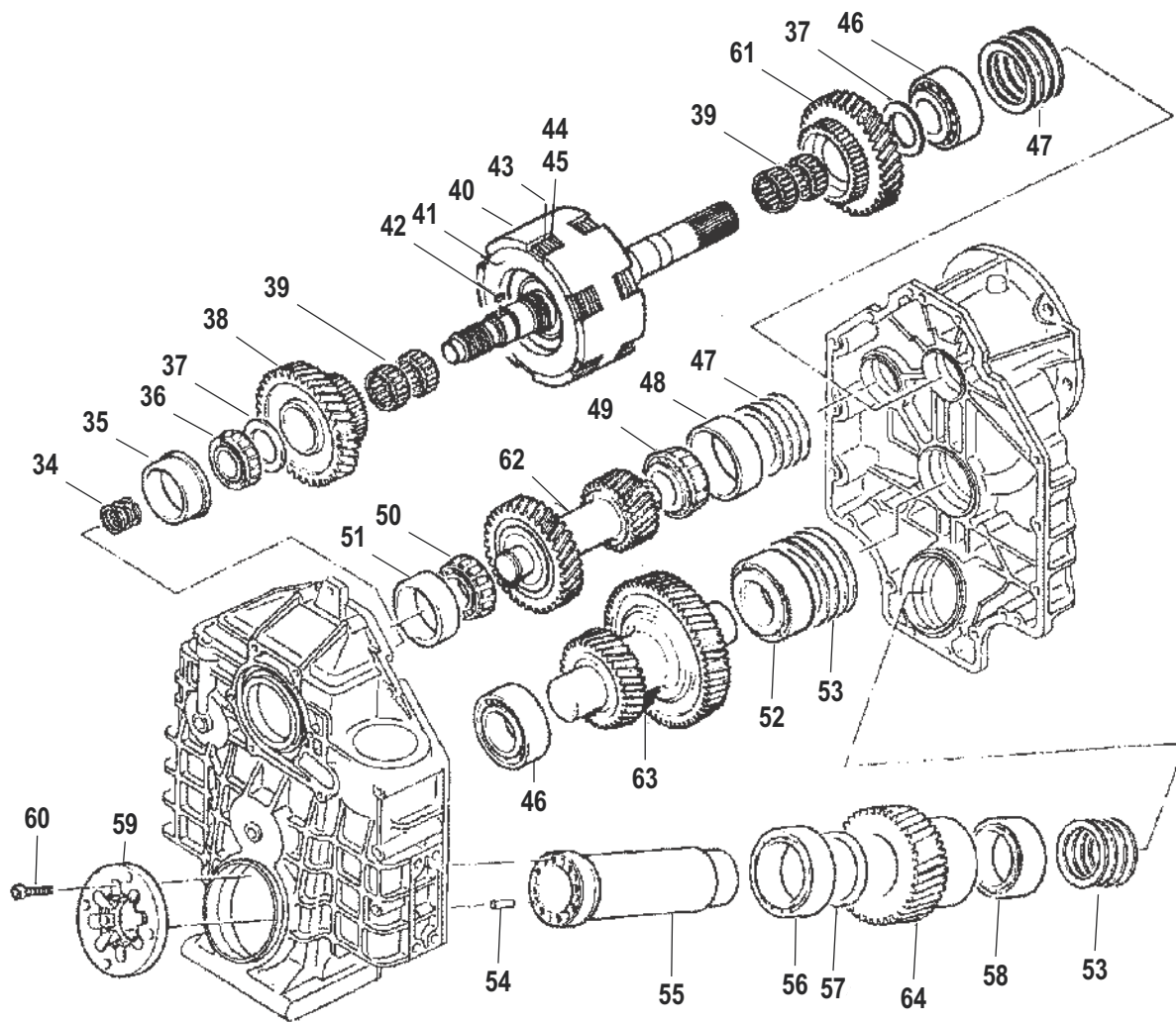
| Ref # | Part Class | Part Number | Description | Comments | Qty | Note |
|-------|------------|-------------|------------------------|--|-----|------|
| 55 | 0000 | 811980 | SHAFT Output | | 1 | |
| 56 | 0031 | 811985 | BEARING Tapered Roller | Refer to MerCruiser Parts Bulletin 95-24 | 1 | |
| 57 | 0012 | 811981 | WASHER | Refer to MerCruiser Parts Bulletin 95-24 | 1 | |
| 58 | 0031 | 811986 | BEARING Tapered Roller | Refer to MerCruiser Parts Bulletin 95-24 | 1 | |
| 59 | 0000 | 811982 | FLANGE | | 1 | |
| 60 | 0010 | 811983 | SCREW | Refer to MerCruiser Parts Bulletin 95-24 | 8 | |
| 61 | 0043 | 811987 | GEAR | 1.5:1 RATIO Refer to MerCruiser Parts Bulletin 95-24 | 1 | |
| 61 | 0043 | 811949 | GEAR | 2.0:1 RATIO Refer to MerCruiser Parts Bulletin 95-24 | 1 | |
| 61 | 0043 | 811949 | GEAR | 2.5:1 RATIO Refer to MerCruiser Parts Bulletin 95-24 | 1 | |
| 62 | 0000 | 811951 | SHAFT Reversing | 1.5:1 RATIO Refer to MerCruiser Parts Bulletin 95-24 | 1 | |
| 62 | 0000 | 811947 | SHAFT Reversing | 2.0:1 RATIO Refer to MerCruiser Parts Bulletin 95-24 | 1 | |
| 62 | 0000 | 811947 | SHAFT Reversing | 2.5:1 RATIO Refer to MerCruiser Parts Bulletin 95-24 | 1 | |
| 63 | 0000 | 811952 | SHAFT Intermediate | 1.5:1 RATIO Refer to MerCruiser Parts Bulletin 95-24 | 1 | |
| 63 | 0000 | 811948 | SHAFT Intermediate | 2.0:1 RATIO Refer to MerCruiser Parts Bulletin 95-24 | 1 | |
| 63 | 0000 | 811946 | SHAFT Intermediate | 2.5:1 RATIO Refer to MerCruiser Parts Bulletin 95-24 | 1 | |
| 64 | 0043 | 811950 | GEAR | 1.5:1 RATIO Refer to MerCruiser Parts Bulletin 95-24 | 1 | |
| 64 | 0043 | 811950 | GEAR | 2.0:1 RATIO Refer to MerCruiser Parts Bulletin 95-24 | 1 | |
| 64 | 0043 | 811945 | GEAR | 2.5:1 RATIO Refer to MerCruiser Parts Bulletin 95-24 | 1 | |

PART NOTES:

- [1] - Alternate part numbers:
863745R02Reman
863745T 2QS
896346707QS

TRANSMISSION (V-DRIVE)(INBOARD)

TRANSMISSION (V-DRIVE)(INBOARD)



14216

TRANSMISSION (V-DRIVE)(INBOARD)

[2] - Alternate part numbers:

863745R03Reman

863745T 3QS

896346708QS

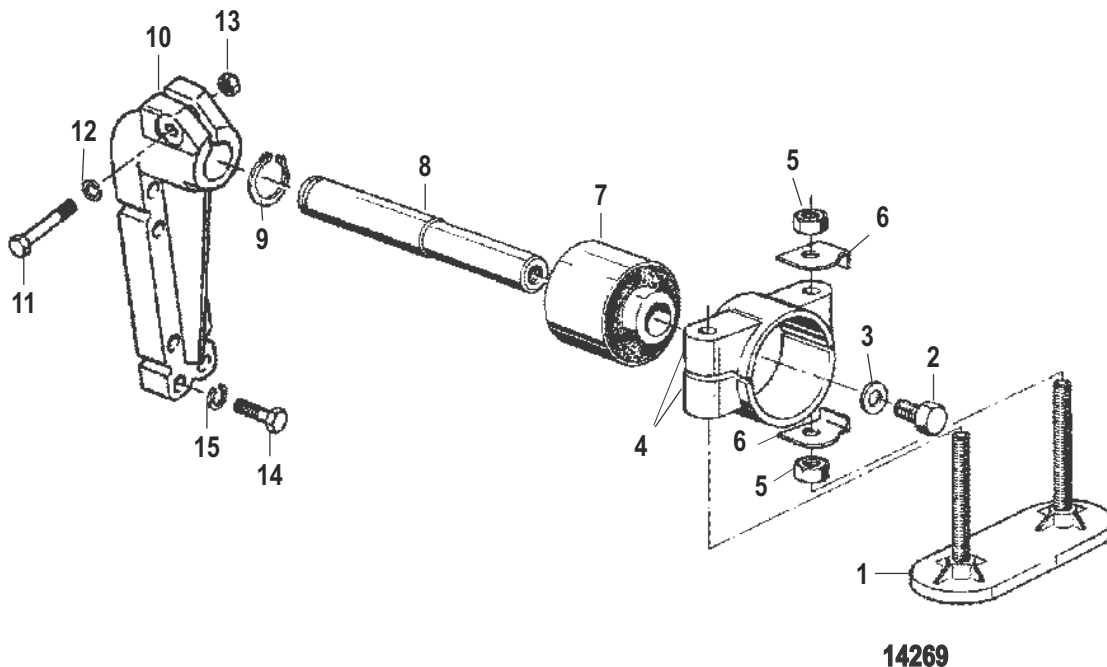
[3] - Alternate part numbers:

863745R04Reman

863745T 4QS

896346709QS

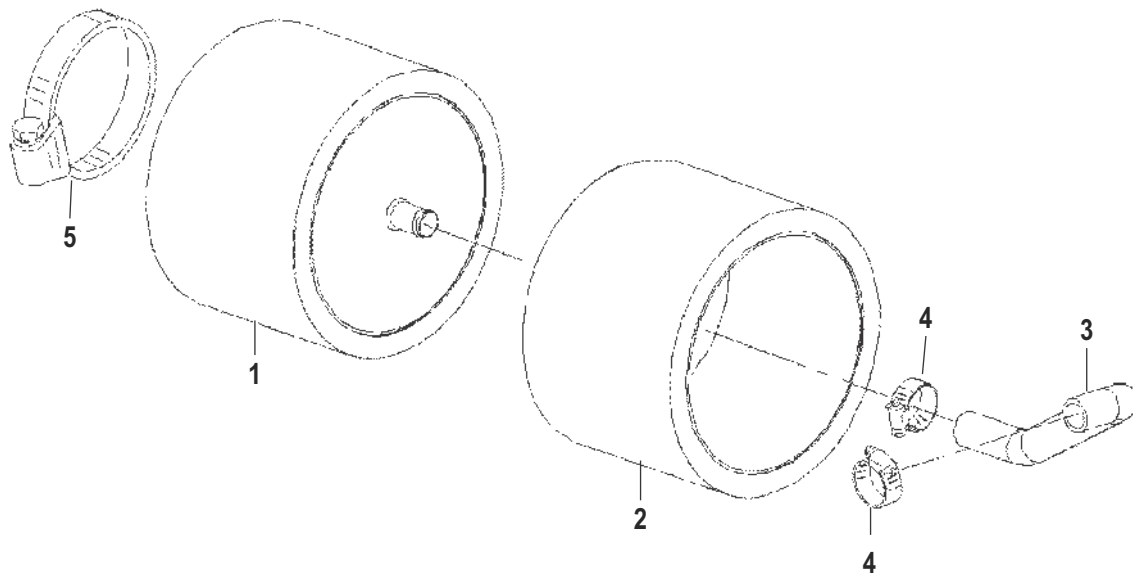
Transmission Mounting (Inboard)



Transmission Mounting (Inboard)

| Ref # | Part Class | Part Number | Description | Comments | Qty | Note |
|-------|------------|-------------|------------------|----------|-----|------|
| 1 | 0000 | 801765040 | BASE | | 2 | |
| 2 | 0010 | 809913815 | SCREW | | 2 | |
| 3 | 0012 | 809936436 | WASHER | | 2 | |
| 4 | 0000 | 801765035 | HOUSING | | 4 | |
| 5 | 0011 | 809923100 | NUT | | 8 | |
| 6 | 0014 | 801765045 | WASHER | | 8 | |
| 7 | 0023 | 801763874 | BUSHING | | 2 | |
| 8 | 0017 | 816913 | PIN | | 2 | |
| 9 | 0053 | 809934175 | RING | | 2 | |
| 10 | 0000 | 814158T | BRACKET | | 2 | |
| 11 | 0010 | 809913859 | SCREW | | 2 | |
| 12 | 0013 | 809931076 | LOCKWASHER | | 2 | |
| 13 | 0011 | 809922113 | NUT | | 2 | |
| 14 | 0010 | 806195 | SCREW (M12 x 45) | | 8 | |
| 15 | 0013 | 809933127 | LOCKWASHER | | 8 | |

AIR CLEANER



14270

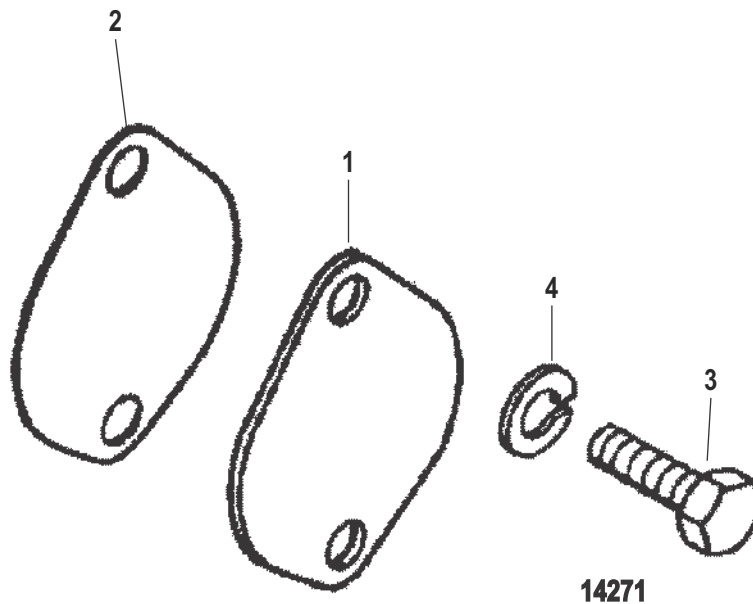
Cat.# 90-854190

AIR CLEANER

| Ref # | Part Class | Part Number | Description | Comments | Qty | Note |
|-------|------------|-------------|-----------------|----------|-----|------|
| 1 | 0000 | 855514 | CLEANER Air | (2.8L) | 1 | |
| 1 | 0000 | 803628 | CLEANER Air | (4.2L) | 1 | |
| 2 | 0035 | 805312 | ELEMENT | | 1 | |
| 3 | 0032 | 854188 | HOSE | | 1 | |
| 4 | 0054 | 854189 | CLAMP Hose | | 2 | |
| 5 | 0054 | 815504348 | CLAMP Worm Gear | | 1 | |

AIR CLEANER

Gimbal Housing Cover (Sterndrive)



Cat.# 90-854190

Gimbal Housing Cover (Sterndrive)

| Ref # | Part Class | Part Number | Description | Comments | Qty | Note |
|-------|------------|-------------|-----------------------------------|----------|-----|------|
| 1 | 0000 | 818304A1 | BLOCK OFF KIT | | 1 | |
| 2 | 0027 | 818305 | GASKET | | 1 | |
| 3 | 0010 | 28636 | SCREW (.250-20 x .750) | | 2 | |
| 4 | 0013 | 26992 | LOCKWASHER (.250) Stainless Steel | | 2 | |

Gimbal Housing Cover (Sterndrive)

PARTS INDEX

| Part No. | Description | Pg. | Ref.no | Part No. | Description | Pg. | Ref.no |
|-----------|--|-----|--------|-----------|---|-----|--------|
| 12009 | BUSHING (.31 x .45 x .50) | 92 | 7 | 123811 | RETAINER | 94 | 3 |
| 13743 | SCREW (.312-18 x 1.843) | 94 | 14 | 138981 | LEVER | 94 | 13 |
| 16739 | CONNECTOR | 104 | 8 | 18311T10 | COUPLING ASSEMBLY | 32 | 30 |
| 18718A7 | HOUSING ASSEMBLY | 32 | 21 | 18825A2 | PUMP ASSEMBLY | 92 | 1 |
| 18901A1 | TRANSMISSION (2.0:1 Ratio) | 106 | 1 | 18901A1 | TRANSMISSION (2.0:1 Ratio) | 110 | - |
| 18901A1 | TRANSMISSION (2.0:1 Ratio) | 114 | - | 18904 | CLIP | 58 | 15 |
| 18904 | CLIP | 58 | 25 | 18922 | CONNECTOR | 104 | 1 |
| 18923 | FITTING | 104 | 5 | 1940971 | HOSE (54.00 Inches Bulk) | 104 | 7 |
| 19485 | FILTER | 54 | 1 | 1983389 | HOSE | 98 | 6 |
| 201951 | O-RING (.487 x .103) | 104 | 2 | 21071 | COTTER PIN | 94 | 16 |
| 22024 | NUT (.437-14) | 106 | 18 | 23567 | CLIP | 104 | 10 |
| 26419 | NUT (#8-32) Brass | 100 | - | 26992 | LOCKWASHER (.250) Stainless Steel | 34 | 40 |
| 26992 | LOCKWASHER (.250) Stainless Steel | 78 | 3 | 26992 | LOCKWASHER (.250) Stainless Steel | 132 | 4 |
| 26996 | LOCKWASHER (#10) Stainless Steel | 78 | 5 | 28636 | SCREW (.250-20 x .750) | 132 | 3 |
| 30164 | WASHER (.192 x .375 x .0312) Stainless Steel | 82 | 10 | 32857 | COTTER PIN | 94 | 6 |
| 32993 | LOCKWASHER (.437) | 106 | 17 | 35053 | NUT (.437-20) | 104 | 4 |
| 35386 | SCREW (.312-18 x 1.00) | 78 | 13 | 35462 | WASHER (.2656 x .625 x .0625) Stainless Steel | 94 | 9 |
| 35580 | FITTING To Oil Cooler | 106 | 10 | 36382 | FITTING (.250-18 x .62) Brass | 46 | 7 |
| 40001124 | SCREW (M8 x 14) | 96 | 8 | 4000116 | SCREW (M5 x 20) | 82 | 6 |
| 40001188 | SCREW (M10 x 20) | 82 | 4 | 40001189 | SCREW (M10 x 20) | 32 | 34 |
| 40001206 | SCREW (M10 x 50) | 32 | 24 | 40001209 | SCREW (M10 x 60) | 4 | 22 |
| 4000175 | SCREW (M6 x 20) | 34 | 39 | 4000338 | SCREW (M6 x 78) | 62 | 15 |
| 4000359 | SCREW (M8 x 60) | 62 | 8 | 4000363 | SCREW (M8 x 100) | 62 | 9 |
| 4000382 | SCREW (M10 x 60) | 78 | 16 | 400212 | NUT (M6) Stainless Steel | 66 | 18 |
| 400213 | NUT (M8) Stainless Steel | 58 | 18 | 4002217 | WASHER | 8 | 19 |
| 4002217 | WASHER | 26 | 20 | 4002217 | WASHER | 88 | 12 |
| 4002220 | WASHER | 82 | 5 | 4002318 | WASHER | 92 | 6 |
| 400247 | LOCKWASHER (M8) | 92 | 5 | 400247 | LOCKWASHER (M8) | 106 | 7 |
| 400248 | LOCKWASHER (M10) | 32 | 35 | 400248 | LOCKWASHER (M10) | 32 | 37 |
| 400248 | LOCKWASHER (M10) | 62 | 6 | 400256 | LOCKWASHER (M6) | 62 | 17 |
| 400257 | LOCKWASHER (M8) | 62 | 10 | 4007154 | SCREW (M8 x 30) | 58 | 17 |
| 4013610 | NUT (M10) Stainless Steel | 78 | 19 | 401388 | NUT (M8) Stainless Steel | 58 | 20 |
| 41471 | LOCKWASHER (.375) | 48 | 40 | 415825 | CLAMP Nylon | 104 | 6 |
| 42600A3 | CONTROLLER ASSEMBLY | 82 | 1 | 44348T | TUBE | 48 | 41 |
| 49099 | FITTING | 32 | 33 | 49734 | SENDER | 16 | 29 |
| 49734 | SENDER | 70 | 20 | 49734 | SENDER | 102 | - |
| 52382 | BUSHING | 16 | 27 | 53166 | LOCKWASHER (.312) | 78 | 14 |
| 53167 | SCREW (.312-18 x .880) | 94 | 5 | 56720 | WASHER (.330 x .750 x .060) Stainless Steel | 94 | 8 |
| 58640 | SCREW (.375-16 x 1.25) | 48 | 39 | 60169 | SCREW (.375-16 x .750) | 106 | 15 |
| 60171 | SCREW (.375-16 x 1.250) | 106 | 15 | 60605 | SCREW (#10-16 x .750) | 104 | 11 |
| 62568 | SCREW (#10-16 x .375) | 82 | 9 | 62826A6 | CABLE ASSEMBLY Ground (13.00 Inches) Black | 32 | 29 |
| 63341 | TEE NUT | 94 | 12 | 63832A1 | COOLER | 58 | 13 |
| 63835 | ELBOW 45 Degree To Transmission | 106 | 13 | 64013 | FITTING (.375 Male To .125 Female) | 54 | 11 |
| 64032A1 | V BELT | 78 | 20 | 642351 | J CLIP | 104 | 9 |
| 68219 | NUT (#10-32) Stainless Steel | 82 | 2 | 68402 | PIN (.250 x 1.13) | 94 | 15 |
| 69205 | C WASHER | 104 | 12 | 71587A10 | RECOVERY KIT Coolant | 98 | 1 |
| 71587A11 | BOTTLE Plastic | 98 | 2 | 71614 | GASKET | 98 | 4 |
| 72058 | CAP | 98 | 3 | 79476A1 | FLANGE ASSEMBLY (5.00 x 1.00) | 106 | 14 |
| 79476A2 | FLANGE ASSEMBLY (5.00 x 1.125) | 106 | 14 | 79476A3 | FLANGE ASSEMBLY (5.00 x 1.25) | 106 | 14 |
| 79476A4 | FLANGE ASSEMBLY (5.00 x 1.375) | 106 | 14 | 79476A5 | FLANGE ASSEMBLY (5.00 x 1.50) | 106 | 14 |
| 79476A6 | FLANGE ASSEMBLY (5.00 x 1.75) | 106 | 14 | 79476A7 | FLANGE ASSEMBLY (5.00 x 2.00) | 106 | 14 |
| 79989 | NUT (#10-24) Stainless Steel | 78 | 6 | 801124680 | TANK Power Steering Oil Reservoir | 92 | 8 |
| 801326638 | CLAMP | 92 | 10 | 801329978 | BREAKER Circuit | 88 | 7 |
| 801330116 | BEARING Ball | 66 | 13 | 801331212 | PIN | 28 | 6 |
| 801331602 | PLUG Expansion | 4 | 2 | 801331607 | SHIM (15 mm) | 22 | 4 |
| 801331608 | SHIM (20 mm) | 22 | 4 | 801331619 | O-RING | 32 | 5 |
| 801331619 | O-RING | 36 | 5 | 801331631 | BEARING Standard | 24 | 6 |
| 801331632 | BEARING (25 mm) | 24 | 6 | 801331633 | BEARING (50 mm) | 24 | 6 |
| 801331635 | BEARING | 24 | 9 | 801331635 | BEARING | 24 | 9 |
| 801331636 | BEARING | 24 | 9 | 801331636 | BEARING | 24 | 9 |
| 801331637 | BEARING | 24 | 9 | 801331637 | BEARING | 24 | 9 |

PARTS INDEX

| Part No. | Description | Pg. | Ref.no | Part No. | Description | Pg. | Ref.no |
|-----------|-------------------------------|-----|--------|-----------|--------------------------------|-----|--------|
| 801331639 | THRUST WASHER (Standard) | 24 | 7 | 801331639 | THRUST WASHER (Standard) | 24 | 7 |
| 801331639 | THRUST WASHER | 24 | 8 | 801331639 | THRUST WASHER | 24 | 8 |
| 801331640 | THRUST WASHER (.10MM) | 24 | 7 | 801331640 | THRUST WASHER (.10MM) | 24 | 7 |
| 801331641 | THRUST WASHER (.20MM) | 24 | 7 | 801331641 | THRUST WASHER (.20MM) | 24 | 7 |
| 801331642 | KEY | 24 | 2 | 801331647 | PIN | 26 | 11 |
| 801331650 | SCREW Locating | 4 | 6 | 801331651 | SCREW | 4 | 11 |
| 801331654 | O-RING | 26 | 19 | 801331654 | O-RING | 26 | 19 |
| 801331671 | BRIDGE | 14 | 17 | 801331673 | BRIDGE | 14 | 18 |
| 801331674 | BRIDGE | 14 | 19 | 801331684 | FITTING Drain | 4 | 8 |
| 801331684 | FITTING Drain | 42 | 19 | 801331698 | SCREW (M4 x 10) | 32 | 13 |
| 801331698 | SCREW (M4 x 10) | 36 | 12 | 801331701 | RING GEAR | 32 | 10 |
| 801331701 | RING GEAR | 36 | 10 | 801331713 | BOLT | 22 | 9 |
| 801331715 | BEARING Standard | 22 | 10 | 801331716 | BEARING (25 mm) | 22 | 10 |
| 801331717 | BEARING (50 mm) | 22 | 10 | 801331725 | RING | 22 | 12 |
| 801331733 | PLATE Cam Guide | 20 | 4 | 801331735 | KEY | 20 | 3 |
| 801331752 | PLATE Spring | 14 | 7 | 801331754 | CAP Spring | 14 | 10 |
| 801331755 | KEEPER | 14 | 11 | 801332593 | SHAFT | 66 | 16 |
| 801332595 | RING Snap Retaining | 66 | 15 | 801332598 | O-RING | 66 | 9 |
| 801332599 | SPREADER | 66 | 8 | 801332599 | SPREADER | 66 | 14 |
| 801332600 | SEAL Oil | 66 | 7 | 801332601 | WEAR PLATE | 66 | 10 |
| 801332601 | WEAR PLATE | 68 | 7 | 801332602 | IMPELLER | 66 | 5 |
| 801332604 | SCREW | 66 | 12 | 801332604 | SCREW | 68 | 12 |
| 801332606 | GASKET | 66 | 4 | 801332606 | GASKET | 68 | 4 |
| 801332607 | COVER | 66 | 3 | 801332607 | COVER | 68 | 3 |
| 801332608 | SCREW | 66 | 2 | 801332608 | SCREW | 68 | 2 |
| 801332620 | PIN | 66 | 11 | 801333415 | O-RING | 40 | 6 |
| 801333424 | CLIP | 16 | 33 | 801333441 | GASKET | 76 | 2 |
| 801333448 | STUD (M8 x 140) | 42 | 7 | 801333451 | STUD (M8 x 90) | 42 | 5 |
| 801333451 | STUD (M8 x 90) | 46 | 28 | 801333453 | STUD (M10 x 30) | 46 | 3 |
| 801333457 | CLAMP | 60 | 34 | 801333457 | CLAMP | 70 | 7 |
| 801333464 | FITTING | 46 | 24 | 801333850 | O-RING | 66 | 17 |
| 801333850 | O-RING | 68 | 15 | 801333864 | BUSHING (25 mm) | 20 | 2 |
| 801333865 | DIAPHRAGM | 56 | 11 | 801333874 | SCREW Banjo (M10) | 70 | 18 |
| 801333980 | STARTER MOTOR ASSEMBLY | 74 | 1 | 801761163 | CONNECTOR Return | 50 | 24 |
| 801761165 | BOLT Banjo (M8 x 1.00) | 42 | 28 | 801761165 | BOLT Banjo (M8 x 1.00) | 50 | 25 |
| 801761166 | SCREW | 50 | 19 | 801761382 | BRACKET | 4 | 21 |
| 801761589 | BRACKET | 58 | 16 | 801761617 | SCREW | 4 | 25 |
| 801763272 | CLAMP | 46 | 4 | 801763349 | PULLEY | 92 | 2 |
| 801763362 | SHIM (23 mm) | 22 | 4 | 801763377 | PLUG | 14 | 4 |
| 801763388 | CONNECTOR | 4 | 10 | 801763389 | FITTING | 46 | 36 |
| 801763451 | STUD (M8 x 70) | 42 | 4 | 801763843 | FITTING | 50 | 23 |
| 801763843 | FITTING | 56 | 19 | 801763853 | PLUG | 64 | 2 |
| 801763855 | ELEMENT | 64 | 5 | 801763856 | O-RING | 64 | 6 |
| 801763857 | WINDOW | 64 | 7 | 801763858 | COVER | 64 | 8 |
| 801763859 | SCREW | 64 | 9 | 801763874 | BUSHING | 128 | 7 |
| 801763908 | STUD (M16 x 125) | 4 | 20 | 801765017 | GASKET | 50 | 2 |
| 801765035 | HOUSING | 128 | 4 | 801765040 | BASE | 128 | 1 |
| 801765045 | WASHER | 128 | 6 | 802654 | INJECTION NOZZLE (#1 CYLINDER) | 50 | 12 |
| 802667 | HARNES ASSEMBLY Instrument | 102 | - | 802736 | GLOW PLUG KIT | 16 | 26 |
| 802737 | GLOW PLUG KIT | 16 | 26 | 803122A1 | PISTON ASSEMBLY | 22 | 2 |
| 803123A1 | LINER KIT | 22 | - | 803171 | HOSE | 58 | 29 |
| 803172 | HOSE | 58 | 27 | 803174 | ELBOW To Oil Cooler | 106 | 13 |
| 803607 | PLUG | 30 | 12 | 803608 | ELBOW 65 Degree Exhaust | 46 | 10 |
| 803609 | ELBOW Exhaust (33 Degree) | 46 | 10 | 803610 | DRIVEPLATE ASSEMBLY | 36 | 27 |
| 803621 | BEARING Standard Front Thrust | 24 | 7 | 803621 | BEARING Standard Front Thrust | 24 | 7 |
| 803622 | WASHER | 24 | 8 | 803622 | WASHER | 24 | 8 |
| 803623 | VALVE | 50 | 9 | 803625 | FUSE ASSEMBLY | 82 | 11 |
| 803626 | HARNES ASSEMBLY Engine Wiring | 84 | 1 | 803627 | CLIP | 92 | 26 |
| 803628 | CLEANER Air | 130 | 1 | 804702 | PIPE | 70 | 14 |
| 805013T1 | PIPE Exhaust | 48 | 38 | 805017 | HOSE To Air Cooler | 68 | 18 |
| 805159 | SCREW (.437-20 x 1.500) | 106 | 16 | 805265A1 | ELBOW Exhaust | 46 | 6 |

PARTS INDEX

| Part No. | Description | Pg. | Ref.no | Part No. | Description | Pg. | Ref.no |
|-----------|---------------------------------|-----|--------|-----------|---|-----|--------|
| 805267T | SENDER Oil Pressure | 4 | 14 | 805268 | SENDER | 4 | 14 |
| 805268 | SENDER | 102 | - | 805287A1 | OIL PRESSURE GAUGE KIT | 100 | - |
| 805288A1 | GAUGE KIT Water Temperature | 100 | - | 805312 | ELEMENT | 130 | 2 |
| 805315 | CONNECTOR | 46 | 14 | 805324 | STUD Extension | 58 | 19 |
| 805375 | HOSE To Air Cooler | 66 | 19 | 805602A2 | ELBOW Exhaust | 46 | 10 |
| 805675A1 | TOGGLE SWITCH | 100 | - | 805675A1 | TOGGLE SWITCH | 102 | - |
| 805676A1 | SWITCH | 102 | - | 805677A1 | SWITCH | 102 | - |
| 805678 | KEY SWITCH | 100 | - | 805681 | HOUSING | 62 | 7 |
| 805681 | HOUSING | 62 | 7 | 805684A2 | COUPLING | 32 | 32 |
| 805723 | GASKET | 62 | 11 | 805731 | COUPLER | 34 | 38 |
| 805732 | O-RING (2.612 x .103) | 54 | 5 | 805735A6 | COUPLING ASSEMBLY | 32 | 31 |
| 805739 | HOSE | 62 | 20 | 805740 | HOSE | 58 | 7 |
| 805741 | HOSE | 62 | 1 | 805743 | HOSE | 58 | 5 |
| 805744 | HOSE | 62 | 19 | 805884T | ALTERNATOR | 78 | 1 |
| 805884T | ALTERNATOR | 80 | - | 805947T | THERMOSTAT 71°C (160°F) | 62 | 12 |
| 805948 | THERMOSTAT 82°C (180°F) | 62 | 13 | 806000 | ANODE | 58 | - |
| 806002A1 | END CAP ASSEMBLY | 58 | - | 806193A33 | MONITOR ASSEMBLY Oil Drive Lube | 104 | 13 |
| 806195 | SCREW (M12 x 45) | 128 | 14 | 806232 | O-RING (.239 x .064) | 92 | 17 |
| 806238 | BRACKET | 106 | 5 | 806291 | REDUCER | 64 | 14 |
| 806441 | HOSE | 66 | 22 | 806443 | ADAPTER | 4 | 13 |
| 806548440 | HOSE (Cut to Length) | 58 | 12 | 806548440 | HOSE | 58 | 21 |
| 806678 | STUD (M8 x 150) | 42 | 6 | 806685 | BOLT (M14 x 149.5) Center | 14 | 20 |
| 806686 | BOLT (M12 x 94.5) Injector Side | 14 | 21 | 806687 | BOLT (M12 x 127.5) Manifold Side | 14 | 22 |
| 8067271 | CAP Drive Lube Monitor | 104 | 14 | 806882 | GASKET | 58 | - |
| 806883 | GASKET | 58 | - | 8069481 | PLUG | 54 | 10 |
| 806980T | BRACE | 78 | 12 | 807001 | HOSE | 58 | 23 |
| 807011 | CAP | 40 | 17 | 807030 | SPACER | 78 | 17 |
| 807049T | FLEX TUBE | 46 | 8 | 807050T | FLEX TUBE | 46 | 12 |
| 807226 | HOSE | 40 | 14 | 807256T | FILTER Fuel | 56 | 1 |
| 807256T1 | HEADER ASSEMBLY | 56 | 6 | 807261 | HEAT EXCHANGER | 58 | 1 |
| 807286T | BRACKET | 82 | 3 | 807322 | HOSE | 8 | 22 |
| 807423 | HOSE | 58 | 22 | 807962A3 | BRACKET ASSEMBLY | 94 | 1 |
| 808023T | STRAP Bracket | 104 | 17 | 808108 | CAP | 58 | 2 |
| 808624 | CONNECTOR Straight | 104 | 15 | 808629 | CONNECTING ROD ASSEMBLY | 22 | 7 |
| 809133T | STATOR | 80 | 12 | 809134 | PULLEY | 80 | 3 |
| 809135 | SPACER | 80 | 4 | 809136 | NUT | 80 | 1 |
| 809137 | LOCKWASHER | 80 | 2 | 809138 | BOLT | 80 | 23 |
| 809139 | FAN ASSEMBLY | 80 | 5 | 809140 | SPACER | 80 | 6 |
| 809141 | SCREW | 80 | 27 | 809142 | TERMINAL | 80 | 28 |
| 809143 | NUT | 80 | 17 | 809144 | COVER | 80 | 30 |
| 809145 | SET SCREW | 80 | 31 | 809146 | MOLD | 80 | 16 |
| 809147 | LEAD WIRE Red | 80 | 33 | 809148 | LEAD WIRE Black | 80 | 32 |
| 809149 | CAP | 80 | 29 | 809150 | ROTOR | 80 | 11 |
| 809151 | BRACKET ASSEMBLY | 80 | 7 | 809152 | RETAINER | 80 | 10 |
| 809153 | BEARING | 80 | 9 | 809154 | SCREW | 80 | 8 |
| 809155 | BRACKET ASSEMBLY | 80 | 13 | 809156 | O-RING | 80 | 21 |
| 809157 | NUT | 80 | 20 | 809158 | MOLD | 80 | 19 |
| 809159 | BOLT | 80 | 22 | 809160 | SET SCREW | 80 | 15 |
| 809161 | CONDENSER | 80 | 18 | 809162 | RECTIFIER | 80 | 14 |
| 809590 | VIBRATION DAMPER | 28 | 10 | 809724 | SCREW (M8 x 35) | 30 | 13 |
| 809726 | PLATE | 30 | 10 | 809825 | RTV SILICONE (3 Ounce Tube) Metallic Blue | 40 | NS |
| 809908402 | STUD | 32 | 2 | 809908402 | STUD | 36 | 2 |
| 809912516 | SCREW (M8 x 50) | 4 | 24 | 809913218 | SCREW (M5 x 10) | 16 | 35 |
| 809913466 | SCREW (M6 x 16) | 40 | 7 | 809913466 | SCREW (M6 x 16) | 40 | 11 |
| 809913657 | SCREW (M8 x 25) | 92 | 4 | 809913815 | SCREW | 128 | 2 |
| 809913837 | SCREW | 106 | 4 | 809913859 | SCREW | 128 | 11 |
| 809919114 | PLUG | 42 | 30 | 809919131 | SCREW (M22 x 1.5) | 40 | 2 |
| 809919131 | SCREW (M22 x 1.5) | 42 | 16 | 809919131 | SCREW (M22 x 1.5) | 58 | 9 |
| 809919621 | SCREW | 42 | 26 | 809919781 | SCREW (M6 x 18) | 70 | 3 |
| 809919926 | SCREW (M6 x 25) | 42 | 15 | 809919926 | SCREW (M6 x 25) | 88 | 4 |
| 809919935 | SCREW (M8 x 18) | 20 | 5 | 809919935 | SCREW (M8 x 18) | 20 | 10 |

PARTS INDEX

| Part No. | Description | Pg. | Ref.no | Part No. | Description | Pg. | Ref.no |
|-----------|--------------------|-----|--------|-----------|--------------------|-----|--------|
| 809919935 | SCREW (M8 x 18) | 20 | 14 | 809919969 | SCREW | 106 | 6 |
| 809921102 | NUT (M16) | 4 | 19 | 809922038 | NUT | 50 | 11 |
| 809922113 | NUT | 106 | 3 | 809922113 | NUT | 128 | 13 |
| 809922457 | NUT (M16) | 4 | 18 | 809923100 | NUT | 128 | 5 |
| 809930840 | LOCKWASHER | 64 | 4 | 809931036 | WASHER | 16 | 36 |
| 809931036 | WASHER | 82 | 7 | 809931044 | WASHER | 40 | 10 |
| 809931076 | LOCKWASHER | 4 | 23 | 809931076 | LOCKWASHER | 32 | 25 |
| 809931076 | LOCKWASHER | 128 | 12 | 809931094 | WASHER | 4 | 17 |
| 809932110 | LOCKWASHER | 26 | 13 | 809932110 | LOCKWASHER | 32 | 17 |
| 809932110 | LOCKWASHER | 36 | 17 | 809932112 | LOCKWASHER | 32 | 7 |
| 809932112 | LOCKWASHER | 36 | 7 | 809933127 | LOCKWASHER | 128 | 15 |
| 809934175 | RING | 128 | 9 | 809936436 | WASHER | 128 | 3 |
| 809937241 | PLUG | 4 | 3 | 809941485 | PIN | 26 | 16 |
| 809952104 | CLAMP | 8 | 23 | 809952104 | CLAMP | 92 | 12 |
| 809963042 | O-RING | 16 | 32 | 809963042 | O-RING | 42 | 29 |
| 809963042 | O-RING | 50 | 26 | 809963042 | O-RING | 50 | 26 |
| 809963072 | WASHER | 4 | 12 | 809963072 | WASHER | 70 | 19 |
| 809963129 | WASHER | 16 | 28 | 809963129 | WASHER | 50 | 20 |
| 809963129 | WASHER | 56 | 9 | 809963129 | WASHER | 70 | 13 |
| 809963201 | WASHER | 4 | 7 | 809963201 | WASHER | 8 | 25 |
| 809963201 | WASHER | 40 | 16 | 809963201 | WASHER | 42 | 31 |
| 809963201 | WASHER | 48 | 37 | 809963201 | WASHER | 50 | 22 |
| 809963201 | WASHER | 56 | 5 | 809963201 | WASHER | 64 | 3 |
| 809963342 | O-RING | 14 | 5 | 809963342 | O-RING | 46 | 25 |
| 809963342 | O-RING | 54 | 3 | 809963354 | WASHER | 40 | 3 |
| 809963354 | WASHER | 42 | 17 | 809963354 | WASHER | 54 | 21 |
| 809963354 | WASHER | 58 | 10 | 809963467 | SEAL | 54 | 8 |
| 811376 | BEARING Standard | 24 | 5 | 811377 | BEARING (25 mm) | 24 | 5 |
| 811378 | BEARING (50 mm) | 24 | 5 | 811379 | FLANGE ASSEMBLY | 26 | 10 |
| 811382 | SCREW (M10 x 90) | 26 | 12 | 811383 | STUD (M8 x 20) | 26 | 17 |
| 811383 | STUD (M8 x 20) | 42 | 3 | 811383 | STUD (M8 x 20) | 46 | 16 |
| 811383 | STUD (M8 x 20) | 56 | 12 | 811384 | LOCKWASHER (M8) | 20 | 6 |
| 811384 | LOCKWASHER (M8) | 26 | 21 | 811384 | LOCKWASHER (M8) | 30 | 21 |
| 811385 | SEAL | 26 | 18 | 811385 | SEAL | 26 | 18 |
| 811387 | PIN | 22 | 11 | 811388 | SPRING | 14 | 8 |
| 811389 | PLUG | 14 | 2 | 811394 | BOLT Banjo | 16 | 31 |
| 811401 | BOLT Banjo (M12) | 56 | 8 | 811401 | BOLT Banjo (M12) | 70 | 12 |
| 811407 | WASHER | 50 | 10 | 811408 | LOCKWASHER | 32 | 3 |
| 811408 | LOCKWASHER | 36 | 3 | 811408 | LOCKWASHER | 74 | 6 |
| 811409 | WASHER | 50 | 4 | 811410 | SCREW (M14) | 8 | 24 |
| 811410 | SCREW (M14) | 40 | 15 | 811410 | SCREW (M14) | 50 | 21 |
| 811410 | SCREW (M14) | 56 | 4 | 811411 | WASHER Sealing | 50 | 29 |
| 811411 | WASHER Sealing | 50 | 29 | 811415 | SCREW | 20 | 13 |
| 811416 | PUMP ASSEMBLY Fuel | 56 | 10 | 811417 | NUT | 56 | 15 |
| 811417 | NUT | 68 | 17 | 811418 | LOCKWASHER | 56 | 14 |
| 811418 | LOCKWASHER | 68 | 16 | 811421 | NUT | 28 | 11 |
| 811422 | SCREW (M6 x 35) | 28 | 8 | 811423 | SCREW (M10 x 45) | 28 | 12 |
| 811428 | SLEEVE | 4 | 9 | 811431 | SET SCREW (M6 x 3) | 4 | 4 |
| 811432 | COVER | 70 | 11 | 811435 | CLAMP | 46 | 31 |
| 811436 | SCREW (M6 x 80) | 8 | 10 | 811437 | WASHER | 70 | 10 |
| 811438 | WASHER | 16 | 28 | 811444 | LINE | 42 | 27 |
| 811448 | SCREW | 46 | 34 | 811450 | WASHER | 32 | 28 |
| 811450 | WASHER | 36 | 26 | 811450 | WASHER | 42 | 14 |
| 811450 | WASHER | 70 | 4 | 811455 | WASHER | 32 | 20 |
| 811455 | WASHER | 36 | 20 | 811455 | WASHER | 50 | 16 |
| 811455 | WASHER | 92 | 25 | 811455 | WASHER | 96 | 4 |
| 811456 | SCREW | 32 | 18 | 811456 | SCREW | 36 | 18 |
| 811457 | SCREW (M10 x 35) | 32 | 16 | 811457 | SCREW (M10 x 35) | 36 | 16 |
| 811457 | SCREW (M10 x 35) | 88 | 14 | 811458 | NUT | 32 | 4 |
| 811458 | NUT | 36 | 4 | 811458 | NUT | 74 | 7 |
| 811459 | WASHER | 32 | 8 | 811459 | WASHER | 36 | 8 |

PARTS INDEX

| Part No. | Description | Pg. | Ref.no | Part No. | Description | Pg. | Ref.no |
|----------|--------------------------------------|-----|--------|----------|-----------------------------|-----|--------|
| 811459 | WASHER | 88 | 15 | 811460 | LOCKWASHER | 20 | 11 |
| 811460 | LOCKWASHER | 20 | 15 | 811460 | LOCKWASHER | 30 | 14 |
| 811460 | LOCKWASHER | 32 | 19 | 811460 | LOCKWASHER | 36 | 19 |
| 811460 | LOCKWASHER | 46 | 23 | 811460 | LOCKWASHER | 46 | 35 |
| 811460 | LOCKWASHER | 78 | 9 | 811460 | LOCKWASHER | 94 | 18 |
| 811461 | O-RING | 46 | 26 | 811463 | SCREW | 46 | 22 |
| 811466 | SLEEVE | 46 | 20 | 811467 | CLIP | 8 | 20 |
| 811467 | CLIP | 40 | 18 | 811467 | CLIP | 46 | 21 |
| 811472 | STUD (M8 x 55) | 76 | 3 | 811479 | WASHER | 56 | 17 |
| 811479 | WASHER | 78 | 18 | 811479 | WASHER | 104 | 19 |
| 811482 | LOCKWASHER | 50 | 7 | 811483 | WASHER | 30 | 6 |
| 811485 | O-RING | 30 | 2 | 811485 | O-RING | 30 | 9 |
| 811487 | PLUG Anode Assembly | 30 | 4 | 811498 | O-RING | 32 | 11 |
| 811498 | O-RING | 32 | 11 | 811498 | O-RING | 36 | 13 |
| 811498 | O-RING | 36 | 13 | 811883T | REGULATOR ASSEMBLY | 80 | 24 |
| 811884 | BRUSH | 80 | 25 | 811885 | SPRING | 80 | 26 |
| 811940 | COVER KIT (INCLUDES REF. #29 and 30) | 110 | 27 | 811945 | GEAR | 124 | 64 |
| 811946 | SHAFT Intermediate | 124 | 63 | 811947 | SHAFT Reversing | 124 | 62 |
| 811947 | SHAFT Reversing | 124 | 62 | 811948 | SHAFT Intermediate | 124 | 63 |
| 811949 | GEAR | 124 | 61 | 811949 | GEAR | 124 | 61 |
| 811950 | GEAR | 124 | 64 | 811950 | GEAR | 124 | 64 |
| 811951 | SHAFT Reversing | 124 | 62 | 811952 | SHAFT Intermediate | 124 | 63 |
| 811953 | SCREW | 118 | 3 | 811954 | NUT | 118 | 5 |
| 811956 | SEAL | 118 | 16 | 811957 | SEAL | 118 | 8 |
| 811958 | WASHER | 118 | 28 | 811959 | PLUG | 118 | 29 |
| 811960 | HOUSING Input Side | 118 | 13 | 811961 | HOUSING Control Side | 118 | 1 |
| 811962 | HOSE Suction | 118 | 6 | 811963 | COVER KIT | 118 | 19 |
| 811964 | DIPSTICK | 118 | 15 | 811965 | CLAMP | 118 | 4 |
| 811966 | PLUG | 118 | 2 | 811967 | WASHER | 122 | 37 |
| 811968 | BEARING Ball | 122 | 46 | 811969 | BEARING Tapered Roller Cone | 122 | 36 |
| 811970 | BEARING Tapered Roller Cup | 122 | 35 | 811971 | BEARING Tapered Roller Cone | 122 | 50 |
| 811972 | BEARING Tapered Roller | 122 | 52 | 811973 | SHIM | 122 | 53 |
| 811974 | SHIM | 122 | 53 | 811975 | SHIM | 122 | 53 |
| 811976 | SHIM | 122 | 53 | 811977 | BEARING Tapered Roller Cup | 122 | 51 |
| 811978 | BEARING Tapered Roller Cone | 122 | 49 | 811979 | BEARING Tapered Roller Cup | 122 | 48 |
| 811980 | SHAFT Output | 124 | 55 | 811981 | WASHER | 124 | 57 |
| 811982 | FLANGE | 124 | 59 | 811983 | SCREW | 124 | 60 |
| 811984 | PIN Dowel | 122 | 54 | 811985 | BEARING Tapered Roller | 124 | 56 |
| 811986 | BEARING Tapered Roller | 124 | 58 | 811987 | GEAR | 124 | 61 |
| 812619 | FUSE Yellow - 20 Ampere | 100 | - | 81269939 | HOSE (39.00 Inches Bulk) | 106 | 12 |
| 8126998 | HOSE ASSEMBLY (37.00 Inches) | 106 | 12 | 813278 | HOUSING | 110 | 1 |
| 813279 | COVER | 110 | 2 | 813280 | VENT CAP | 110 | 3 |
| 813280 | VENT CAP | 118 | 17 | 813281 | LOCKWASHER | 110 | 4 |
| 813281 | LOCKWASHER | 118 | 12 | 813282 | SCREW | 110 | 5 |
| 813282 | SCREW | 118 | 11 | 813283 | SCREW | 110 | 6 |
| 813284 | SCREW | 110 | 7 | 813284 | SCREW | 118 | 10 |
| 813285 | SCREW | 110 | 8 | 813285 | SCREW | 118 | 9 |
| 813286 | SEAL | 110 | 9 | 813286 | SEAL | 118 | 14 |
| 813287 | SCREW | 110 | 10 | 813288 | PLATE Retaining | 110 | 11 |
| 813289 | HOSE | 110 | 12 | 813290 | PLATE Baffle | 110 | 13 |
| 813291 | PIN Dowel | 110 | 14 | 813291 | PIN Dowel | 118 | 7 |
| 813292 | SEAL | 110 | 15 | 813293 | LOCKWASHER | 110 | 16 |
| 813293 | LOCKWASHER | 120 | 33 | 813294 | SCREW | 110 | 17 |
| 813294 | SCREW | 120 | 32 | 813295 | CONTROL BLOCK | 110 | 18 |
| 813295 | CONTROL BLOCK | 118 | 24 | 813296 | SCREW | 110 | 19 |
| 813296 | SCREW | 118 | 27 | 813297 | WASHER | 110 | 20 |
| 813298 | LEVER Shift | 110 | 21 | 813298 | LEVER Shift | 118 | 30 |
| 813299 | NUT | 110 | 22 | 813299 | NUT | 120 | 31 |
| 813300 | SWITCH | 110 | 23 | 813300 | SWITCH | 118 | 26 |
| 813301 | GASKET | 110 | 24 | 813301 | GASKET | 118 | 25 |
| 813302 | PLUG | 110 | 25 | 813302 | PLUG | 118 | 23 |

PARTS INDEX

| Part No. | Description | Pg. | Ref.no | Part No. | Description | Pg. | Ref.no |
|-----------|---------------------------------|-----|--------|-----------|---|-----|--------|
| 813303 | WASHER | 110 | 26 | 813303 | WASHER | 118 | 18 |
| 813305 | DIPSTICK | 110 | 31 | 813306 | SHAFT Input | 114 | 32 |
| 813306 | SHAFT Input | 122 | 40 | 813307 | BEARING Roller | 114 | 33 |
| 813307 | BEARING Roller | 122 | 39 | 813308 | GEAR | 114 | 34 |
| 813308 | GEAR | 122 | 38 | 813309 | WASHER | 114 | 35 |
| 813312 | RING | 114 | 38 | 813312 | RING | 122 | 34 |
| 813313 | KEY | 114 | 39 | 813313 | KEY | 122 | 42 |
| 813314 | BEARING | 114 | 40 | 813315 | SHIM (.10 mm) | 114 | 41 |
| 813315 | SHIM (.10 mm) | 122 | 47 | 813316 | SHIM (.15 mm) | 114 | 41 |
| 813316 | SHIM (.15 mm) | 122 | 47 | 813317 | SHIM (.20 mm) | 114 | 41 |
| 813317 | SHIM (.20 mm) | 122 | 47 | 813318 | SHIM (.50 mm) | 114 | 41 |
| 813318 | SHIM (.50 mm) | 122 | 47 | 813319 | DISC (INNER) | 114 | 42 |
| 813319 | DISC (INNER) | 122 | 44 | 813320 | DISC (OUTER) | 114 | 43 |
| 813320 | DISC (OUTER) | 122 | 45 | 813321 | RING | 114 | 44 |
| 813321 | RING | 122 | 43 | 813322 | PRESSURE DISC | 114 | 45 |
| 813322 | PRESSURE DISC | 122 | 41 | 813323 | BEARING Tapered Roller | 114 | 46 |
| 813324 | BEARING Tapered Roller | 114 | 47 | 813325 | BEARING Tapered Roller | 114 | 48 |
| 813326 | BEARING Tapered Roller | 114 | 49 | 813327 | SCREW | 114 | 50 |
| 813328 | SPACER | 114 | 51 | 813329 | O-RING | 114 | 52 |
| 813330 | FLANGE Output | 114 | 53 | 813331 | BEARING Tapered Roller | 114 | 54 |
| 813332 | BEARING Tapered Roller | 114 | 55 | 813333 | BEARING Tapered Roller | 116 | 56 |
| 813334 | SHIM (.10 mm) | 116 | 57 | 813335 | SHIM (.15 mm) | 116 | 57 |
| 813336 | SHIM (.30 mm) | 116 | 57 | 813337 | SHIM (.50 mm) | 116 | 57 |
| 813338 | GEAR | 116 | 58 | 813339 | SHAFT Intermediate | 116 | 59 |
| 813340 | SHAFT Output | 116 | 60 | 813341 | GEAR | 116 | 58 |
| 813342 | SHAFT Intermediate | 116 | 59 | 813343 | SHAFT Output | 116 | 60 |
| 813344 | GEAR | 116 | 58 | 813345 | SHAFT Intermediate | 116 | 59 |
| 813346 | SHAFT Output | 116 | 60 | 813406 | O-RING | 110 | 30 |
| 813406 | O-RING | 118 | 22 | 813407 | O-RING | 110 | 29 |
| 813407 | O-RING | 118 | 21 | 814158T | BRACKET | 128 | 10 |
| 814634 | CLAMP | 70 | 17 | 814806 | WASHER (.344 x .688 x .065) Stainless Steel | 78 | 15 |
| 814873 | CAM | 66 | 6 | 815088 | NUT (M8) | 4 | 26 |
| 815419 | FLUID FILTER KIT | 110 | 28 | 815419 | FLUID FILTER KIT | 118 | 20 |
| 815504220 | CLAMP Worm Gear | 58 | 4 | 815504220 | CLAMP Worm Gear | 58 | 14 |
| 815504220 | CLAMP Worm Gear | 58 | 26 | 815504220 | CLAMP Worm Gear | 62 | 2 |
| 815504220 | CLAMP Worm Gear | 66 | 20 | 815504220 | CLAMP Worm Gear | 68 | 19 |
| 815504222 | CLAMP Worm Gear (1.98 Diameter) | 60 | 33 | 815504224 | CLAMP Worm Gear | 60 | 34 |
| 815504228 | CLAMP Worm Gear | 58 | 8 | 815504228 | CLAMP Worm Gear | 64 | 11 |
| 815504228 | CLAMP Worm Gear | 66 | 21 | 815504232 | CLAMP Worm Gear (2.50 Diameter) | 58 | 6 |
| 815504232 | CLAMP Worm Gear (2.50 Diameter) | 66 | 23 | 815504232 | CLAMP Worm Gear (2.50 Diameter) | 68 | 21 |
| 815504272 | CLAMP Worm Gear | 48 | 42 | 815504272 | CLAMP Worm Gear | 48 | 46 |
| 815504336 | CLAMP Worm Gear | 60 | 35 | 815504348 | CLAMP Worm Gear | 62 | 21 |
| 815504348 | CLAMP Worm Gear | 130 | 5 | 815529 | TUBE Exhaust | 48 | 43 |
| 816000 | ANODE | 30 | 5 | 816162 | SPRING | 54 | 7 |
| 816163 | THERMOSTAT | 54 | 6 | 816172 | HOSE | 64 | 12 |
| 816173 | HOSE Reducer To SeaWater Pump | 66 | 24 | 816173 | HOSE Reducer To SeaWater Pump | 68 | 22 |
| 816174A1 | HOSE | 68 | 20 | 816177 | V BELT | 92 | 3 |
| 816248 | PUMP ASSEMBLY | 68 | 1 | 816339 | NOZZLE | 64 | 10 |
| 816340 | BRACKET | 92 | 22 | 816554 | TUBE | 40 | 5 |
| 816782 | CRANKSHAFT | 24 | 1 | 816785 | STRIP Manifold (FRONT) | 70 | 1 |
| 816813 | CAM | 68 | 6 | 816814T | IMPELLER | 68 | 5 |
| 816815 | RING | 68 | 8 | 816816 | SPACER | 68 | 9 |
| 816817 | SEAL | 68 | 10 | 816818 | SEAL | 68 | 11 |
| 816819 | BEARING | 68 | 13 | 816820 | SHAFT | 68 | 14 |
| 816833A1 | TACHOMETER GAUGE KIT | 100 | - | 816913 | PIN | 128 | 8 |
| 817032A1 | BATTERY GAUGE KIT | 100 | - | 817033A1 | TRIM GAUGE KIT | 100 | - |
| 817078 | BLANKET | 46 | 13 | 817089 | GASKET | 46 | 5 |
| 817169 | SWITCH | 54 | 12 | 817308 | BRACKET (TACHOMETER) | 100 | - |
| 817309 | BRACKET | 100 | - | 817311 | BEZEL (TACHOMETER) | 100 | - |
| 817315 | BEZEL | 100 | - | 817728 | O-RING | 22 | 5 |
| 817729 | O-RING | 22 | 6 | 818163A1 | CRUISELOG GAUGE KIT | 100 | - |

PARTS INDEX

| Part No. | Description | Pg. | Ref.no | Part No. | Description | Pg. | Ref.no |
|----------|--------------------------------|-----|--------|----------|-----------------------------------|-----|--------|
| 818170T | FITTING | 64 | 17 | 818171T | VALVE | 64 | 16 |
| 818172 | CONNECTOR | 64 | 15 | 818184T | ADAPTER Exhaust | 48 | 44 |
| 818304A1 | BLOCK OFF KIT | 132 | 1 | 818305 | GASKET | 132 | 2 |
| 821509 | RELAY Audio Warning | 88 | NS | 823297 | GASKET Cylinder Head (1.52 MM) | 14 | 25 |
| 823297 | GASKET Cylinder Head (1.52 MM) | 14 | 25 | 823646 | RING SET | 22 | 3 |
| 8267119 | NUT (.250-28) | 94 | 10 | 831424 | LIGHT BULB | 100 | - |
| 831424A2 | LIGHT BULB | 100 | - | 846109 | SCREW (.375-16 x .875) | 58 | - |
| 850418 | STUD (M8 x 115) | 30 | 15 | 850419 | STUD (M8 x 22) | 30 | 16 |
| 850420A1 | PULLEY (INCLUDES KEY) | 28 | 9 | 850781 | HARNESSE ASSEMBLY Extension | 102 | - |
| 850782 | HARNESSE ASSEMBLY Y Style | 102 | - | 85181 | BOLT | 64 | 13 |
| 85181 | BOLT | 98 | 5 | 852066 | BEARING | 114 | 36 |
| 853066 | KEY | 114 | 37 | 854018 | ENGINE COVER | 96 | 1 |
| 854019 | SPACER | 30 | 25 | 854020 | GROMMET | 92 | 24 |
| 854020 | GROMMET | 96 | 5 | 854021 | SPACER | 92 | 23 |
| 854021 | SPACER | 96 | 6 | 854022 | SPACER | 96 | 7 |
| 854023 | BRACKET | 8 | 16 | 854024 | BRACKET Support | 88 | 10 |
| 854025 | BRACKET | 90 | 1 | 854026 | BRACKET | 90 | 2 |
| 854027 | STUD Remote Control Cable | 90 | 3 | 854028 | LOCKNUT | 90 | 4 |
| 854029 | WASHER | 90 | 5 | 854030 | CONTROL ASSEMBLY Engine | 90 | 6 |
| 854031 | SUPPORT | 90 | 7 | 854032 | NUT (M6) | 42 | 24 |
| 854032 | NUT (M6) | 88 | 5 | 854032 | NUT (M6) | 88 | 13 |
| 854032 | NUT (M6) | 90 | 8 | 854032 | NUT (M6) | 92 | 28 |
| 854034 | BRACKET | 90 | 10 | 854035 | TPS | 90 | 11 |
| 854036 | LEVER Throttle Position Sensor | 90 | 12 | 854037 | NUT (M8) | 12 | 6 |
| 854037 | NUT (M8) | 26 | 22 | 854037 | NUT (M8) | 30 | 17 |
| 854037 | NUT (M8) | 42 | 8 | 854037 | NUT (M8) | 46 | 17 |
| 854037 | NUT (M8) | 46 | 29 | 854037 | NUT (M8) | 50 | 5 |
| 854037 | NUT (M8) | 50 | 15 | 854037 | NUT (M8) | 54 | 23 |
| 854037 | NUT (M8) | 76 | 5 | 854037 | NUT (M8) | 90 | 13 |
| 854037 | NUT (M8) | 92 | 21 | 854038 | SUPPORT | 90 | 14 |
| 854039 | STUD TPS Lever | 90 | 15 | 854040 | CYLINDER BLOCK | 4 | 1 |
| 854041 | VALVE Oil Pressure | 4 | 5 | 854044 | SCREW (M10 x 45) | 4 | 22 |
| 854045 | COVER (REAR) | 8 | 1 | 854046 | GASKET | 8 | 2 |
| 854047 | GASKET Oil Fill Cap | 8 | 7 | 854047 | GASKET Oil Fill Cap | 8 | 7 |
| 854048 | CAP | 8 | 8 | 854049 | COVER (FRONT) | 8 | 3 |
| 854050 | SEPARATOR Oil | 8 | 17 | 854051 | PLUG | 8 | 13 |
| 854052 | SLEEVE | 8 | 21 | 854052 | SLEEVE | 40 | 19 |
| 854053 | TUBE | 8 | 9 | 854054 | HOSE | 8 | 14 |
| 854055 | SCREW (M6 x 88) | 8 | 11 | 854056 | SPACER | 8 | 12 |
| 854057 | ROCKER ARM ASSEMBLY | 12 | 1 | 854058T | BRACKET Rocker Arm | 12 | 7 |
| 854059 | ROCKER ARM Intake | 12 | 2 | 854060 | SUPPORT Rocker Arm | 12 | 3 |
| 854061 | ROCKER ARM Exhaust | 12 | 4 | 854062 | BUSHING | 12 | 5 |
| 854063 | LIFTER Roller | 12 | 8 | 854064 | PUSH ROD | 12 | 9 |
| 854065 | LINE Oil | 16 | 30 | 854066 | BRACKET Lifter Retainer | 12 | 10 |
| 854067 | CYLINDER HEAD ASSEMBLY | 14 | 1 | 854067 | CYLINDER HEAD ASSEMBLY | 14 | 1 |
| 854068 | SEAL Oil | 14 | 9 | 854069 | STUD (M8 x 60) | 14 | 3 |
| 854070 | VALVE GUIDE Standard | 14 | 6 | 854071 | SEAT (INTAKE) | 14 | 12 |
| 854072 | SEAT (EXHAUST) | 14 | 13 | 854073 | VALVE | 14 | 14 |
| 854074 | VALVE Exhaust | 14 | 15 | 854075 | STUD (M8 x 35) | 14 | 16 |
| 854076 | SPACER Rear | 14 | 24 | 854076 | SPACER Rear | 14 | 24 |
| 854077 | SPACER Front | 14 | 23 | 854077 | SPACER Front | 14 | 23 |
| 854078 | GASKET Cylinder Head (1.42 MM) | 14 | 25 | 854078 | GASKET Cylinder Head (1.42 MM) | 14 | 25 |
| 854079 | GASKET Cylinder Head (1.62 MM) | 14 | 25 | 854079 | GASKET Cylinder Head (1.62 MM) | 14 | 25 |
| 854080 | PLUG | 16 | 26 | 854081 | SENSOR Engine Coolant Temperature | 16 | 29 |
| 854082 | ADAPTER | 16 | 27 | 854082 | ADAPTER | 16 | 27 |
| 854084 | CAMSHAFT | 20 | 1 | 854085 | GEAR | 20 | 7 |
| 854086 | GEAR | 20 | 8 | 854087 | PUMP Oil | 20 | 9 |
| 854088 | GEAR ASSEMBLY | 20 | 12 | 854089 | LINER | 22 | 1 |
| 854090 | BUSHING | 22 | 8 | 854093 | NOZZLE | 26 | 14 |
| 854094 | FLANGE ASSEMBLY Rear | 26 | 15 | 854094 | FLANGE ASSEMBLY Rear | 26 | 15 |
| 854095 | COVER ASSEMBLY | 28 | 1 | 854096 | GASKET | 28 | 5 |

PARTS INDEX

| Part No. | Description | Pg. | Ref.no | Part No. | Description | Pg. | Ref.no |
|----------|----------------------------|-----|--------|----------|---|-----|--------|
| 854097 | COVER | 28 | 2 | 854098 | WASHER | 28 | 3 |
| 854101 | GASKET | 30 | 18 | 854102 | SENSOR | 30 | 22 |
| 854103 | WASHER | 30 | 23 | 854104 | SCREW (M5 x 20) | 30 | 24 |
| 854104 | SCREW (M5 x 20) | 88 | 6 | 854106 | SCREW (M10 x 25) | 32 | 6 |
| 854106 | SCREW (M10 x 25) | 36 | 6 | 854107 | FLYWHEEL | 32 | 9 |
| 854107 | FLYWHEEL | 36 | 9 | 854108 | BRACKET | 32 | 15 |
| 854108 | BRACKET | 36 | 15 | 854109 | SENSOR Engine RPM | 32 | 26 |
| 854109 | SENSOR Engine RPM | 36 | 24 | 854110 | PAN Oil | 40 | 1 |
| 854112 | DEFLECTOR | 40 | 8 | 854113 | SCREW (M6 x 14) | 8 | 18 |
| 854113 | SCREW (M6 x 14) | 40 | 9 | 854113 | SCREW (M6 x 14) | 88 | 11 |
| 854114 | DIPSTICK | 40 | 12 | 854115 | TUBE | 40 | 13 |
| 854116T | MANIFOLD | 42 | 1 | 854117 | GASKET Exhaust Manifold | 42 | 2 |
| 854117 | GASKET Exhaust Manifold | 42 | 2 | 854118 | SCREW (M8 x 20) | 30 | 20 |
| 854118 | SCREW (M8 x 20) | 42 | 10 | 854118 | SCREW (M8 x 20) | 46 | 18 |
| 854118 | SCREW (M8 x 20) | 92 | 20 | 854118 | SCREW (M8 x 20) | 94 | 17 |
| 854119 | COVER | 42 | 11 | 854120 | GASKET | 42 | 12 |
| 854121 | SCREW (M6 x 60) | 42 | 13 | 854122 | NUT (M10) | 36 | 23 |
| 854122 | NUT (M10) | 42 | 18 | 854122 | NUT (M10) | 56 | 18 |
| 854122 | NUT (M10) | 104 | 20 | 854123 | STUD (M6) | 42 | 20 |
| 854124 | STUD (M6 x 25) | 42 | 21 | 854125 | WASTEGATE | 42 | 23 |
| 854126 | VALVE | 42 | 25 | 854127 | GASKET | 42 | 32 |
| 854128 | TURBOCHARGER | 46 | 1 | 854129 | GASKET | 46 | 2 |
| 854130 | PIPE | 46 | 19 | 854131 | HOUSING | 46 | 27 |
| 854132 | PIPE | 46 | 32 | 854133 | GASKET | 46 | 33 |
| 854134 | PUMP Injection | 50 | 1 | 854135 | STUD (M8 x 30) | 50 | 3 |
| 854136 | KEY | 50 | 6 | 854137 | NUT | 50 | 8 |
| 854138 | INJECTION NOZZLE | 50 | 12 | 854140 | BRACKET | 50 | 17 |
| 854141 | PIPE | 50 | 27 | 854142 | GASKET Injector Nozzle | 50 | 13 |
| 854142 | GASKET Injector Nozzle | 50 | 13 | 854143 | O-RING | 50 | 14 |
| 854143 | O-RING | 50 | 14 | 854145 | FITTING | 54 | 2 |
| 854146 | ADAPTER | 54 | 4 | 854149 | HOSE Oil | 54 | 15 |
| 854150 | HOSE Oil | 54 | 16 | 854151 | FITTING (M18) | 54 | 17 |
| 854152 | HEADER | 54 | 18 | 854153 | FITTING | 54 | 19 |
| 854154 | FITTING (M22) | 54 | 20 | 854155 | SCREW (M10 x 30) | 32 | 36 |
| 854155 | SCREW (M10 x 30) | 56 | 16 | 854155 | SCREW (M10 x 30) | 104 | 18 |
| 854156 | STUD (M8 x 25) | 54 | 22 | 854156 | STUD (M8 x 25) | 76 | 4 |
| 854157 | SPACER | 54 | 24 | 854158 | PLATE | 54 | 25 |
| 854159 | FITTING (90 Degree) | 56 | 2 | 854160 | LINE Fuel | 56 | 3 |
| 854161 | LINE Fuel | 56 | 7 | 854162 | O-RING | 56 | 13 |
| 854164 | BRACKET | 62 | 3 | 854164 | BRACKET | 62 | 3 |
| 854165 | LIFTING EYE | 62 | 4 | 854166 | SCREW (M10 x 35) | 62 | 5 |
| 854168 | COVER | 62 | 14 | 854169 | STUD (M6 x 75) | 62 | 16 |
| 854170 | SPACER | 62 | 18 | 854171 | GASKET | 70 | 2 |
| 854173 | HOSE | 70 | 6 | 854176 | HOSE | 70 | 15 |
| 854177 | CLAMP | 70 | 16 | 854179 | PUMP | 76 | 1 |
| 854181 | SCREW (M8) | 78 | 8 | 854182 | RADIATOR INSERT | 30 | 3 |
| 854184 | NUT (M8) | 78 | 10 | 854187 | HARNES ASSEMBLY ECM | 86 | 1 |
| 854188 | HOSE | 130 | 3 | 854189 | CLAMP Hose | 8 | 15 |
| 854189 | CLAMP Hose | 130 | 4 | 854190 | PARTS MANUAL D2.8L/165 D-TRONIC D4.2L/250 D-TRONIC DIESEL | 2 | - |
| 854194 | O-RING | 8 | 4 | 854195 | CONNECTOR | 8 | 5 |
| 854196 | RING | 8 | 6 | 854203 | LIFTING EYE | 30 | 19 |
| 854205 | SCREW (M6 x 14) | 32 | 27 | 854205 | SCREW (M6 x 14) | 36 | 25 |
| 854212 | TURBOCHARGER | 46 | 1 | 854213 | PUMP Injection | 50 | 1 |
| 854214 | GASKET | 30 | 7 | 854216 | HOUSING | 30 | 8 |
| 854217 | COVER | 30 | 11 | 855381 | MOUNT Engine | 4 | 16 |
| 855382 | PIN | 4 | 27 | 855383 | PRESSURE PIPES ASSEMBLY | 50 | 18 |
| 855385 | NUT (M5) | 82 | 8 | 855385 | NUT (M5) | 88 | 8 |
| 855386 | POWER RELAY | 88 | 9 | 855386 | POWER RELAY | 100 | - |
| 855387 | SUPPORT Oil Tank | 92 | 18 | 855388 | BRACKET | 92 | 19 |
| 855389 | HARNES ASSEMBLY Instrument | 100 | - | 855390 | HARNES ASSEMBLY Extension (7M) | 100 | - |

PARTS INDEX

| Part No. | Description | Pg. | Ref.no | Part No. | Description | Pg. | Ref.no |
|-----------|--------------------------|-----|--------|-----------|----------------------------|-----|--------|
| 855391 | POWER RELAY | 88 | 2 | 855391 | POWER RELAY | 88 | 3 |
| 855448 | GASKET SET Overhaul | 4 | - | 855448 | GASKET SET Overhaul | 8 | - |
| 855448 | GASKET SET Overhaul | 16 | - | 855448 | GASKET SET Overhaul | 22 | - |
| 855448 | GASKET SET Overhaul | 26 | - | 855448 | GASKET SET Overhaul | 28 | - |
| 855448 | GASKET SET Overhaul | 30 | - | 855448 | GASKET SET Overhaul | 34 | - |
| 855448 | GASKET SET Overhaul | 36 | - | 855448 | GASKET SET Overhaul | 40 | - |
| 855448 | GASKET SET Overhaul | 42 | - | 855448 | GASKET SET Overhaul | 48 | - |
| 855448 | GASKET SET Overhaul | 50 | - | 855448 | GASKET SET Overhaul | 56 | - |
| 855448 | GASKET SET Overhaul | 60 | - | 855448 | GASKET SET Overhaul | 62 | - |
| 855448 | GASKET SET Overhaul | 70 | - | 855448 | GASKET SET Overhaul | 76 | - |
| 855449 | GASKET SET Cylinder Head | 8 | - | 855449 | GASKET SET Cylinder Head | 18 | - |
| 855449 | GASKET SET Cylinder Head | 42 | - | 855449 | GASKET SET Cylinder Head | 52 | - |
| 855449 | GASKET SET Cylinder Head | 70 | - | 855450 | GASKET SET Cylinder Head | 8 | - |
| 855450 | GASKET SET Cylinder Head | 16 | - | 855450 | GASKET SET Cylinder Head | 42 | - |
| 855450 | GASKET SET Cylinder Head | 50 | - | 855450 | GASKET SET Cylinder Head | 70 | - |
| 855451 | GASKET SET Overhaul | 4 | - | 855451 | GASKET SET Overhaul | 8 | - |
| 855451 | GASKET SET Overhaul | 16 | - | 855451 | GASKET SET Overhaul | 22 | - |
| 855451 | GASKET SET Overhaul | 26 | - | 855451 | GASKET SET Overhaul | 28 | - |
| 855451 | GASKET SET Overhaul | 30 | - | 855451 | GASKET SET Overhaul | 34 | - |
| 855451 | GASKET SET Overhaul | 36 | - | 855451 | GASKET SET Overhaul | 40 | - |
| 855451 | GASKET SET Overhaul | 42 | - | 855451 | GASKET SET Overhaul | 48 | - |
| 855451 | GASKET SET Overhaul | 50 | - | 855451 | GASKET SET Overhaul | 56 | - |
| 855451 | GASKET SET Overhaul | 60 | - | 855451 | GASKET SET Overhaul | 62 | - |
| 855451 | GASKET SET Overhaul | 70 | - | 855451 | GASKET SET Overhaul | 76 | - |
| 855452 | SPACER | 32 | 12 | 855452 | SPACER | 32 | 12 |
| 855452 | SPACER | 36 | 11 | 855452 | SPACER | 36 | 11 |
| 855453 | CYLINDER BLOCK | 4 | 1 | 855454 | ENGINE MOUNT | 4 | 16 |
| 855455 | COVER Rocker | 8 | 1 | 855456 | GASKET Rocker Cover | 8 | 2 |
| 855457 | TUBE | 8 | 9 | 855458 | LINE Oil | 16 | 30 |
| 855459 | SLEEVE | 16 | 34 | 855460 | CAMSHAFT | 20 | 1 |
| 855461 | BUSHING Standard | 20 | 2 | 855462 | CRANKSHAFT | 24 | 1 |
| 855463 | ADAPTER | 4 | 15 | 855464 | COVER ASSEMBLY | 28 | 1 |
| 855465 | SCREW (M8 x 60) | 28 | 7 | 855465 | SCREW (M8 x 60) | 96 | 2 |
| 855467 | STUD (M8 x 105) | 30 | 15 | 855468 | FLYWHEEL | 32 | 9 |
| 855470 | SCREW (M10 x 20) | 36 | 28 | 855471 | STUD (M10 x 20) | 36 | 22 |
| 855472 | PAN Oil | 40 | 1 | 855473 | SCREW (M6 x 12) | 40 | 4 |
| 855474 | TUBE | 40 | 5 | 855476 | DIPSTICK | 40 | 12 |
| 855477 | TUBE | 40 | 13 | 855479 | VALVE | 42 | 25 |
| 855480 | PIPE | 46 | 19 | 855482 | FLEX TUBE | 46 | 12 |
| 855483 | BLANKET | 46 | 9 | 855483 | BLANKET | 46 | 13 |
| 855484 | PRESSURE PIPES ASSEMBLY | 50 | 18 | 855485 | PIPE | 50 | 27 |
| 855487 | HOSE | 54 | 13 | 855488 | HOSE Oil | 54 | 14 |
| 855489 | LINE Fuel | 56 | 3 | 855490 | LINE Fuel | 56 | 7 |
| 855491 | CLAMP | 58 | 3 | 855492 | HOSE | 58 | 21 |
| 855493 | HOSE | 58 | 22 | 855494 | HOSE | 58 | 29 |
| 855495 | HOSE | 58 | 27 | 855496 | HOSE | 60 | 30 |
| 855497 | COOLER | 60 | 31 | 855498 | INSERT | 58 | 28 |
| 855499 | CLAMP ASSEMBLY | 60 | 32 | 855500 | CLAMP ASSEMBLY | 60 | 32 |
| 855502 | PUMP ASSEMBLY Seawater | 66 | 1 | 855506 | PIPE | 70 | 14 |
| 855507 | STARTER MOTOR ASSEMBLY | 74 | 1 | 855508 | SCREW (M14 x 25) | 78 | 11 |
| 855509 | HARNESS ASSEMBLY Engine | 84 | 1 | 855510 | CONTROL ASSEMBLY Engine | 90 | 6 |
| 855511 | SCREW (M6 x 20) | 90 | 9 | 855511 | SCREW (M6 x 20) | 92 | 27 |
| 855513 | BRACKET Oil Tank Support | 92 | 19 | 855514 | CLEANER Air | 130 | 1 |
| 855515 | COVER Engine Top | 96 | 1 | 855516 | WASHER | 106 | 11 |
| 855517 | ELBOW To Transmission | 106 | 10 | 855518 | HOSE Oil (85 cm) | 106 | 12 |
| 855519 | HOSE Oil (93 cm) | 106 | 12 | 855520 | SCREW (M8 x 25) | 46 | 18 |
| 855520 | SCREW (M8 x 25) | 96 | 3 | 855521 | RADIATOR INSERT | 30 | 3 |
| 855522 | PLATE | 30 | 10 | 855523 | COVER | 30 | 11 |
| 860065A1 | BRACKET KIT Oil Bottle | 104 | 16 | 860166970 | OWNERS GUIDE (STERN DRIVE) | 2 | - |
| 860167970 | OWNERS GUIDE (INBOARD) | 2 | - | 860319A1 | END COVER | 58 | - |
| 860598 | SUPPORT | 90 | 14 | 860602 | TUBE Exhaust | 48 | 45 |

PARTS INDEX

| Part No. | Description | Pg. | Ref.no | Part No. | Description | Pg. | Ref.no |
|----------|--------------------------------|-----|--------|----------|--|-----|--------|
| 860603 | FILTER | 64 | 1 | 860615 | HARNESS ASSEMBLY (13 Feet) | 102 | - |
| 860616 | HARNESS ASSEMBLY (23 Feet) | 100 | - | 860617 | HARNESS ASSEMBLY | 102 | - |
| 860618 | HARNESS ASSEMBLY Instrument | 100 | - | 860618 | HARNESS ASSEMBLY Instrument | 102 | - |
| 861014 | PANEL | 100 | - | 861068 | RING Locking - Fuel Filter | 56 | - |
| 861428 | PANEL | 102 | - | 861454 | DECAL | 58 | 11 |
| 861455 | DECAL | 58 | 11 | 861854 | WASHER (.453 x .750 x .032) Stainless Steel | 104 | 3 |
| 862646 | FUSE Tan - 5 Ampere | 88 | 16 | 863744T2 | TRANSMISSION (1.5:1 Ratio) | 106 | 1 |
| 863744T2 | TRANSMISSION (1.5:1 Ratio) | 110 | - | 863744T2 | TRANSMISSION (1.5:1 Ratio) | 114 | - |
| 863744T4 | TRANSMISSION (2.50:1 Ratio) | 106 | 1 | 863744T4 | TRANSMISSION (2.50:1 Ratio) | 110 | - |
| 863744T4 | TRANSMISSION (2.50:1 Ratio) | 114 | - | 863745T2 | TRANSMISSION (1.5:1 Ratio) | 106 | 1 |
| 863745T2 | TRANSMISSION (1.5:1 Ratio) | 118 | - | 863745T2 | TRANSMISSION (1.5:1 Ratio) | 122 | - |
| 863745T3 | TRANSMISSION (2.0:1 Ratio) | 106 | 1 | 863745T3 | TRANSMISSION (2.0:1 Ratio) | 118 | - |
| 863745T3 | TRANSMISSION (2.0:1 Ratio) | 122 | - | 863745T4 | TRANSMISSION (2.5:1 Ratio) | 106 | 1 |
| 863745T4 | TRANSMISSION (2.5:1 Ratio) | 118 | - | 863745T4 | TRANSMISSION (2.5:1 Ratio) | 122 | - |
| 877376 | GASKET (1.42 mm) Front | 16 | 25 | 877377 | GASKET (1.42 mm) Rear | 16 | 25 |
| 877390A1 | VIBRATION KIT | 60 | - | 877391 | MOUNT | 4 | 16 |
| 877392 | CLAMP Rubber | 60 | - | 877523 | VALVE | 106 | - |
| 879675 | GASKET (1.41 mm) Cylinder Head | 16 | 25 | 879676 | GASKET (1.51 mm) Cylinder Head | 16 | 25 |
| 879677 | GASKET (1.61 mm) Cylinder Head | 16 | 25 | 879678 | GASKET (1.52 mm) Front | 16 | 25 |
| 879679 | GASKET (1.62 mm) Front | 16 | 25 | 879680 | GASKET (1.52 mm) Rear | 16 | 25 |
| 879681 | GASKET (1.62 mm) Rear | 16 | 25 | 879684 | GASKET SET Overhaul | 4 | - |
| 879684 | GASKET SET Overhaul | 8 | - | 879684 | GASKET SET Overhaul | 16 | - |
| 879684 | GASKET SET Overhaul | 22 | - | 879684 | GASKET SET Overhaul | 26 | - |
| 879684 | GASKET SET Overhaul | 28 | - | 879684 | GASKET SET Overhaul | 30 | - |
| 879684 | GASKET SET Overhaul | 34 | - | 879684 | GASKET SET Overhaul | 36 | - |
| 879684 | GASKET SET Overhaul | 40 | - | 879684 | GASKET SET Overhaul | 42 | - |
| 879684 | GASKET SET Overhaul | 48 | - | 879684 | GASKET SET Overhaul | 50 | - |
| 879684 | GASKET SET Overhaul | 56 | - | 879684 | GASKET SET Overhaul | 60 | - |
| 879684 | GASKET SET Overhaul | 62 | - | 879684 | GASKET SET Overhaul | 70 | - |
| 879684 | GASKET SET Overhaul | 76 | - | 879704 | ADAPTER Injector Nozzle | 50 | 28 |
| 879708 | COOLER Air | 30 | 1 | 879709 | COOLER Air | 30 | 1 |
| 879710 | HOUSING | 32 | 1 | 879710 | HOUSING | 36 | 1 |
| 879711 | SCREW | 32 | 14 | 879711 | SCREW | 36 | 14 |
| 879712 | RAIL Water (REAR) | 70 | 8 | 879713 | MANIFOLD Front | 70 | 1 |
| 879714 | SCREW (M6 x 80) | 70 | 9 | 879715 | CYLINDER HEAD ASSEMBLY | 14 | 1 |
| 879715 | CYLINDER HEAD ASSEMBLY | 14 | 1 | 879716 | BRACKET Alternator | 78 | 7 |
| 879717 | MANIFOLD Exhaust | 42 | 1 | 879718 | KEY | 24 | 3 |
| 879720 | GASKET | 42 | 22 | 879721 | GASKET | 46 | 15 |
| 879829 | SHORTBLOCK ASSEMBLY | 2 | - | 879829 | SHORTBLOCK ASSEMBLY INCLUDES INTERNAL PARTS AND CYLINDER HEADS | 4 | - |
| 879832 | SHORTBLOCK ASSEMBLY | 2 | - | 879832 | SHORTBLOCK ASSEMBLY INCLUDES INTERNAL PARTS | 4 | - |
| 88031 | SWITCH ASSEMBLY | 106 | 9 | 880819 | ADAPTER | 16 | 27 |
| 880820 | SENDER | 16 | 29 | 881308 | CONTROL ASSEMBLY Engine | 90 | 6 |
| 881309 | CONTROL ASSEMBLY Engine | 90 | 6 | 881716 | LIFTING EYE | 42 | 9 |
| 881742 | GASKET SET Overhaul | 4 | - | 881742 | GASKET SET Overhaul | 8 | - |
| 881742 | GASKET SET Overhaul | 16 | - | 881742 | GASKET SET Overhaul | 22 | - |
| 881742 | GASKET SET Overhaul | 26 | - | 881742 | GASKET SET Overhaul | 28 | - |
| 881742 | GASKET SET Overhaul | 30 | - | 881742 | GASKET SET Overhaul | 34 | - |
| 881742 | GASKET SET Overhaul | 36 | - | 881742 | GASKET SET Overhaul | 40 | - |
| 881742 | GASKET SET Overhaul | 42 | - | 881742 | GASKET SET Overhaul | 48 | - |
| 881742 | GASKET SET Overhaul | 50 | - | 881742 | GASKET SET Overhaul | 56 | - |
| 881742 | GASKET SET Overhaul | 60 | - | 881742 | GASKET SET Overhaul | 62 | - |
| 881742 | GASKET SET Overhaul | 70 | - | 881742 | GASKET SET Overhaul | 76 | - |
| 881743 | GASKET SET Cylinder Head | 8 | - | 881743 | GASKET SET Cylinder Head | 18 | - |
| 881743 | GASKET SET Cylinder Head | 42 | - | 881743 | GASKET SET Cylinder Head | 52 | - |
| 881743 | GASKET SET Cylinder Head | 70 | - | 881745 | DIODE | 100 | - |
| 881746 | SPACER | 14 | 23 | 881746 | SPACER | 14 | 23 |
| 881746 | SPACER | 14 | 24 | 881746 | SPACER | 14 | 24 |
| 881787 | HOUSING | 36 | 21 | 881789 | SEAL | 28 | 4 |
| 883960 | GEAR | 24 | 4 | 883960A1 | GEAR | 24 | 4 |

PARTS INDEX

| Part No. | Description | Pg. | Ref.no | Part No. | Description | Pg. | Ref.no |
|-----------|---|-----|--------|-----------|---|-----|--------|
| 883961 | SPACER | 24 | 4 | 883962 | GASKET SET Cylinder Head | 8 | - |
| 883962 | GASKET SET Cylinder Head | 18 | - | 883962 | GASKET SET Cylinder Head | 42 | - |
| 883962 | GASKET SET Cylinder Head | 50 | - | 883962 | GASKET SET Cylinder Head | 70 | - |
| 883967 | HOSE | 92 | 11 | 883968 | HOSE Reservoir To Cooler | 92 | 11 |
| 883969 | HOSE Cooler To Steering Cylinder | 92 | 13 | 883970 | HOSE Power Steering Pump To Steering Cylinder | 92 | 15 |
| 883971 | HOSE Power Steering Pump To Reservoir | 92 | 9 | 883972 | HOSE | 60 | 30 |
| 883998 | COVER | 8 | 1 | 883999 | GASKET | 8 | 2 |
| 884000 | ADAPTER | 16 | 27 | 884000 | ADAPTER | 16 | 27 |
| 884002 | BRACKET | 62 | 3 | 884003 | HOUSING Thermostat | 62 | 7 |
| 884004 | GASKET | 70 | 5 | 884004 | GASKET | 70 | 5 |
| 884005 | HARNES ASSEMBLY Engine Wiring, Engine w/Deutsch Connector | 70 | 1 | 884005 | HARNES ASSEMBLY Engine | 84 | 1 |
| 884006 | BEARING (.10 mm) Front Thrust | 24 | 7 | 884006 | BEARING (.10 mm) Front Thrust | 24 | 7 |
| 884007 | BEARING (.20 mm) Front Thrust | 24 | 7 | 884007 | BEARING (.20 mm) Front Thrust | 24 | 7 |
| 884008 | BEARING Standard | 24 | 9 | 884008 | BEARING Standard | 24 | 9 |
| 884009 | BEARING (.25 mm) | 24 | 9 | 884009 | BEARING (.25 mm) | 24 | 9 |
| 884010 | BEARING (.50 mm) | 26 | 9 | 884010 | BEARING (.50 mm) | 26 | 9 |
| 884011 | FLANGE ASSEMBLY | 26 | 15 | 884011 | FLANGE ASSEMBLY | 26 | 15 |
| 884012 | SEAL | 26 | 18 | 884012 | SEAL | 26 | 18 |
| 884013 | CRANKSHAFT | 24 | 1 | 884014 | CRANKSHAFT | 24 | 1 |
| 884016 | CLAMP | 58 | 3 | 884028 | O-RING | 32 | 11 |
| 884028 | O-RING | 32 | 11 | 884028 | O-RING | 36 | 13 |
| 884028 | O-RING | 36 | 13 | 884028001 | O-RING | 26 | 19 |
| 884028001 | O-RING | 26 | 19 | 88743 | SCREW (.312-18 x .500) | 58 | - |
| 88791T | MOUNT Rubber | 32 | 22 | 889030 | SPACER Flywheel | 32 | 12 |
| 889030 | SPACER Flywheel | 32 | 12 | 889030 | SPACER Flywheel | 36 | 11 |
| 889030 | SPACER Flywheel | 36 | 11 | 891889 | HOSE | 46 | 30 |
| 896332092 | HOSE Adapter | 60 | 36 | 89879 | O-RING (.301 x .064) | 92 | 14 |
| 89879 | O-RING (.301 x .064) | 92 | 16 | 910002 | STUD | 106 | 2 |
| 91016 | PLUG | 46 | 11 | 94330 | NUT (.250-20) Brass | 78 | 4 |
| 96112 | STUD (.250-28 x 2.00) Throttle Cable Anchor | 94 | 11 | 96457 | WASHER Phenolic (.27 x .81 x .062) | 78 | 2 |
| 97477A3 | STUD KIT | 106 | 8 | 98277 | SEAL | 54 | 9 |
| 987981 | STUD (.250-20/.250-28 x 2.120) | 94 | 2 | 98828 | SPACER | 94 | 4 |
| 98880 | SPRING | 94 | 7 | 99322 | SPACER | 32 | 23 |
| 99356A2 | COOLER ASSEMBLY | 58 | 24 | NSS | NOT SOLD SEPARATE Engaging Relay | 74 | 2 |
| NSS | NOT SOLD SEPARATE Parts Set Armature | 74 | 3 | NSS | NOT SOLD SEPARATE Armature | 74 | 4 |
| NSS | NOT SOLD SEPARATE Brush Set | 74 | 5 | NSS | NOT SOLD SEPARATE Electrical Box | 88 | 1 |