

Parts Manual

Cat.# 90-854222

Revised 09-12-2020

TABLE OF CONTENTS

Cat.# 90-854222

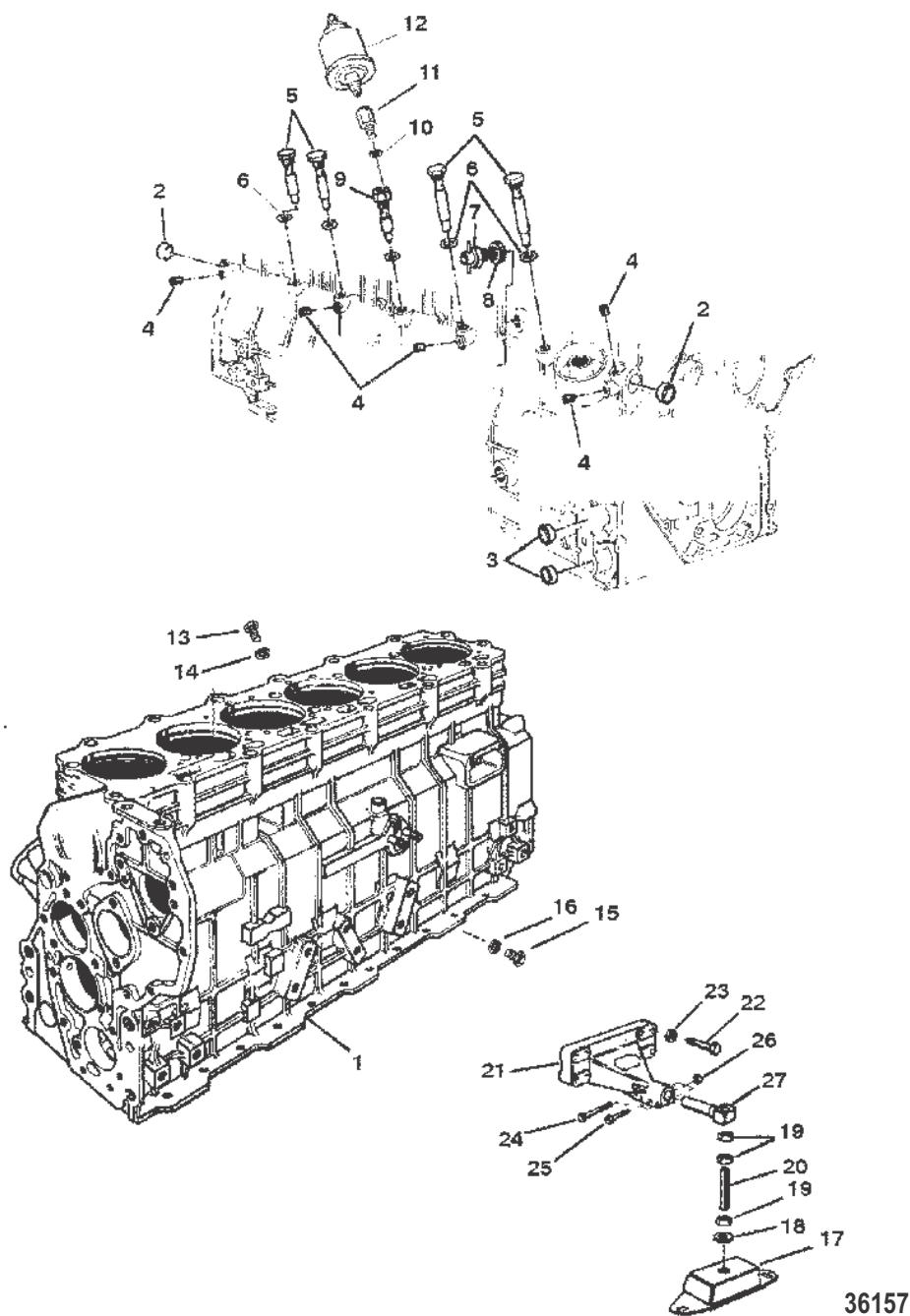
MISCELLANEOUS INFORMATION	1
ENGINE/CYLINDER BLOCK	3
ROCKER COVER	5
ROCKER ARM AND OIL LINES	7
CYLINDER HEAD	9
CAMSHAFT	11
CONNECTING ROD AND PISTON	13
CRANKSHAFT	15
FRONT COVER	17
AIR COOLER	19
OIL PAN	21
FLYWHEEL HOUSING	23
EXHAUST MANIFOLD	25
TURBO CHARGER/EXHAUST ELBOW	27
INJECTION PUMP	31
INJECTION NOZZLE/LINES	35
OIL FILTER AND OIL HOSES	37
FUEL FILTER	39
HEAT EXCHANGER AND HOSES	41
SEAWATER PUMP	43
MANIFOLD STRIP	45
Starter Motor	47
WATER PUMP	49
ALTERNATOR AND MOUNTING HARDWARE	51
Alternator (Mando)	53
MERCATHODE (STERN DRIVE)	55
ENGINE HARNESS	57
POWER STEERING COMPONENTS	59
SHIFT BRACKET	61
SEAWATER FILTER	63
AIR CLEANER	65
Gimbal Housing Cover	67
Coolant Recovery	69
INSTRUMENTATION	71

MISCELLANEOUS INFORMATION

MISCELLANEOUS INFORMATION

Ref #	Part Class	Part Number	Description	Comments	Qty	Note
-	0090	854222	PARTS MANUAL D3.6L Bravo Diesel		1	
-	0091	801331553	TOOL KIT		1	
-	0000	801763657	PARTS KIT On Board Spare		1	
-	0090	821065960	OWNERS GUIDE		1	

ENGINE/CYLINDER BLOCK



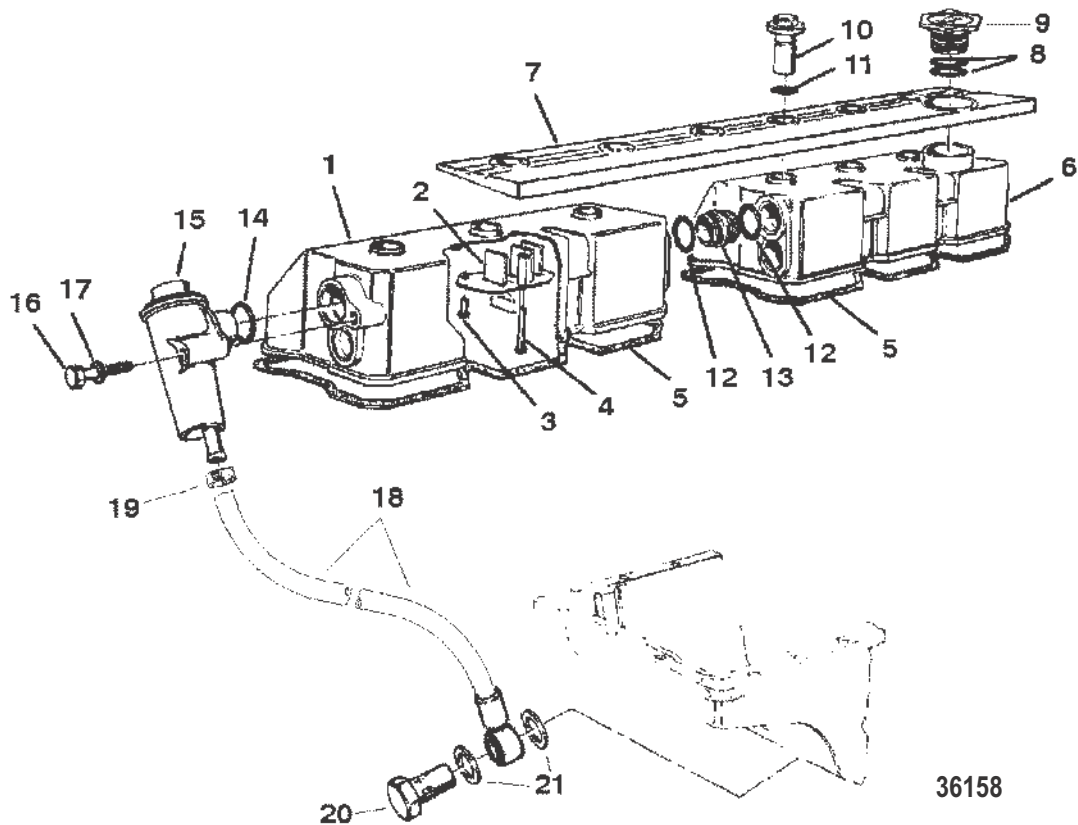
ENGINE/CYLINDER BLOCK

Ref #	Part Class	Part Number	Description	Comments	Qty	Note
1	0882	801331600	CYLINDER BLOCK		1	
2	0019	801331602	PLUG Expansion		2	
3	0019	809937241	PLUG		2	
4	0010	801331604	SCREW		5	
5	0010	801331650	SCREW Locating		3	
6	0012	809963201	WASHER		5	[1]
7	0022	801331684	FITTING Drain		1	
8	0022	811428	SLEEVE		1	
9	0022	801763388	CONNECTOR		1	
10	0012	809963072	WASHER		1	
11	0022	806443	ADAPTER		1	
12	0000	805267	SENDER	(SINGLE STATION)	1	
12	0000	805268	SENDER	(DUAL STATION)	1	
13	0010	4000351	SCREW (M8 x 16)		1	
14	0012	814806	WASHER (.344 x .688 x .065) Stainless Steel		1	
15	0010	4000374	SCREW (M10 x 16)		1	
16	0013	400258	LOCKWASHER (M10) Stainless Steel (M10)		1	
17	0000	801763916	MOUNT		2	
18	0012	809931094	WASHER		2	
19	0011	809921102	NUT (M16)		4	
20	0016	801763908	STUD (M16 x 125)		2	
21	0000	801761382	BRACKET		2	
22	0010	809913859	SCREW (M10 X 50)		6	
22	0010	40001209	SCREW (M10 x 60)		2	
23	0013	809931076	LOCKWASHER		8	
24	0010	809912516	SCREW (M8 x 50)		4	
25	0010	801761617	SCREW		2	
26	0011	815088	NUT (M8)		4	
27	0000	801763304	PIN Support		2	
-	0027	822570A1	GASKET SET Overhaul		1	
-	0000	807044	LONG BLOCK ENGINE (INCLUDES INTERNAL PARTS AND CYLINDER HEADS)		1	

PART NOTES:

[1] - COMPONENT OF ENGINE OVERHAUL GASKET SET 822570A 1.

ROCKER COVER



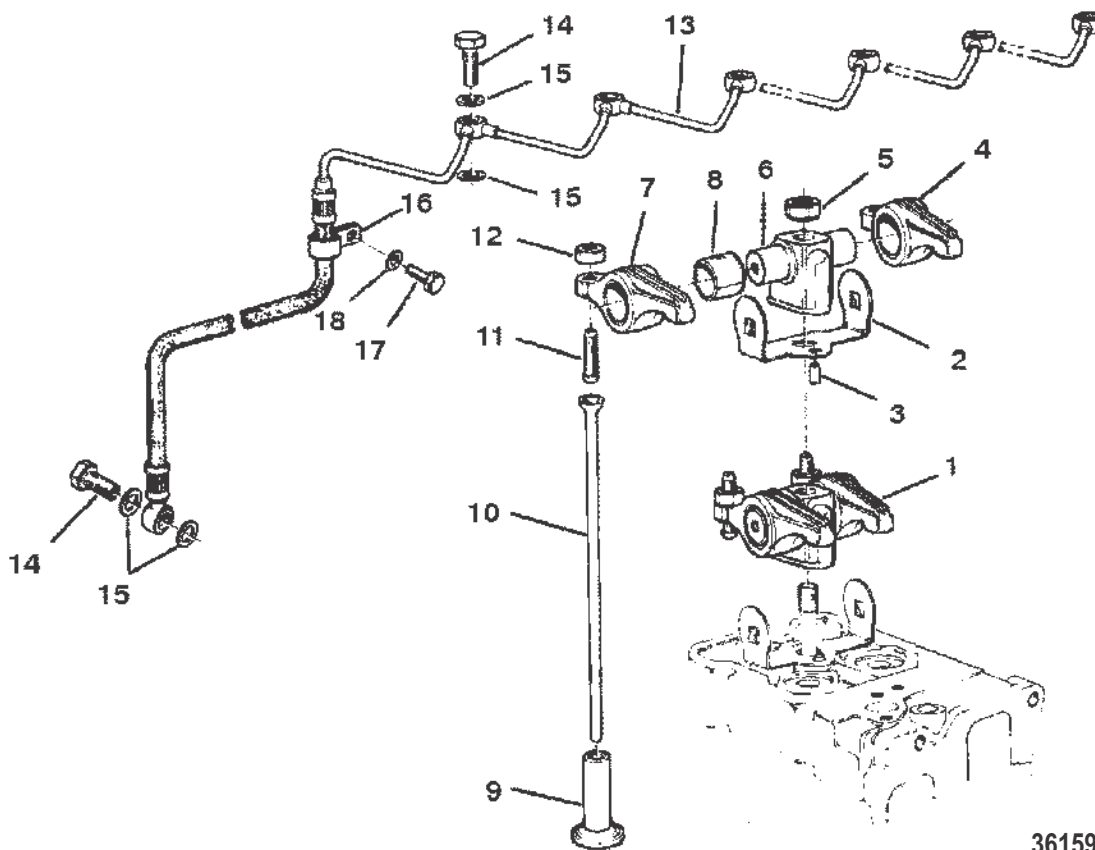
ROCKER COVER

Ref #	Part Class	Part Number	Description	Comments	Qty	Note
1	0000	801763790	ROCKER COVER (REAR)		1	
2	0000	801763767	BAFFLE		1	
3	0010	811397	SCREW		1	
4	0010	811398	SCREW		1	
5	0000	801763765	SEAL Rocker Cover		2	[1]
6	0000	801763766	ROCKER COVER (FRONT)		1	
7	0000	192242	COVER		1	
8	0025	801331690	O-RING		2	[1]
9	0000	801331689	CAP Oil Fill		1	
10	0011	801763773	NUT		6	
11	0025	801763779	O-RING		6	[1]
12	0025	801763770	O-RING		4	[1]
13	0022	801763769	CONNECTOR		2	
14	0025	801285797	O-RING		1	
15	0000	801285638	SEPARATOR Oil		1	
16	0010	809912529	SCREW		1	
17	0012	4002217	WASHER		1	
18	0032	807322	HOSE		1	
19	0054	809952104	CLAMP		1	
20	0010	801117181	BOLT Banjo		1	
21	0012	809963201	WASHER		2	
-	0027	822570A1	GASKET SET Overhaul		1	
-	0027	801763381	GASKET SET Cylinder Head		1	

PART NOTES:

- [1] - COMPONENT OF ENGINE OVERHAUL GASKET SET 822570A 1.
COMPONENT OF CYLINDER HEAD GASKET SET 801763381.

ROCKER ARM AND OIL LINES



36159

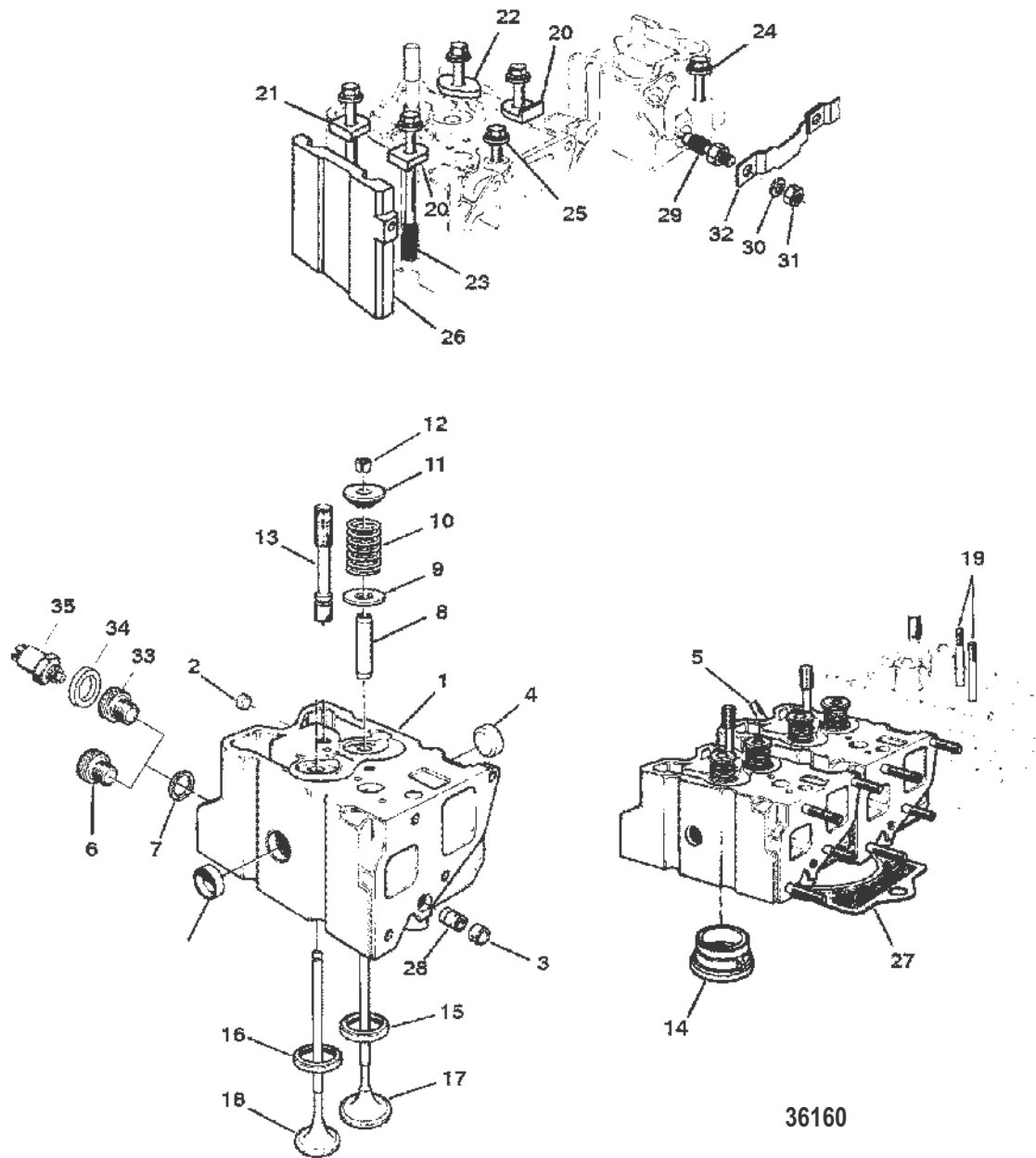
ROCKER ARM AND OIL LINES

Ref #	Part Class	Part Number	Description	Comments	Qty	Note
1	0000	801331739	ROCKER ARM ASSEMBLY		6	
2	0000	801333863	BRACKET Rocker Arm		6	
3	0017	801331748	PIN Centering		6	
4	0000	801331742	ROCKER ARM	(INTAKE)	6	
5	0011	801331749	NUT		6	
6	0000	801331740	SUPPORT		6	
7	0000	801331741	ROCKER ARM	(EXHAUST)	6	
8	0023	801331745	BUSHING		12	
9	0000	801331737	LIFTER		12	
10	0000	801331738	PUSH ROD		12	
11	0010	801331746	SCREW Adjusting		12	
12	0011	811395	NUT		12	
13	0032	806765	LINE Oil		1	
14	0010	801329259	BOLT Banjo		7	
15	0025	809963042	O-RING		14	[1]
16	0054	801333424	CLIP		1	
17	0010	809913218	SCREW (M5 x 10)		1	
18	0012	809931036	WASHER		1	
-	0027	822570A1	GASKET SET Overhaul		1	
-	0027	801763381	GASKET SET Cylinder Head		1	

PART NOTES:

- [1] - COMPONENT OF ENGINE OVERHAUL GASKET SET 822570A 1.
COMPONENT OF CYLINDER HEAD GASKET SET 801763381.

CYLINDER HEAD



CYLINDER HEAD

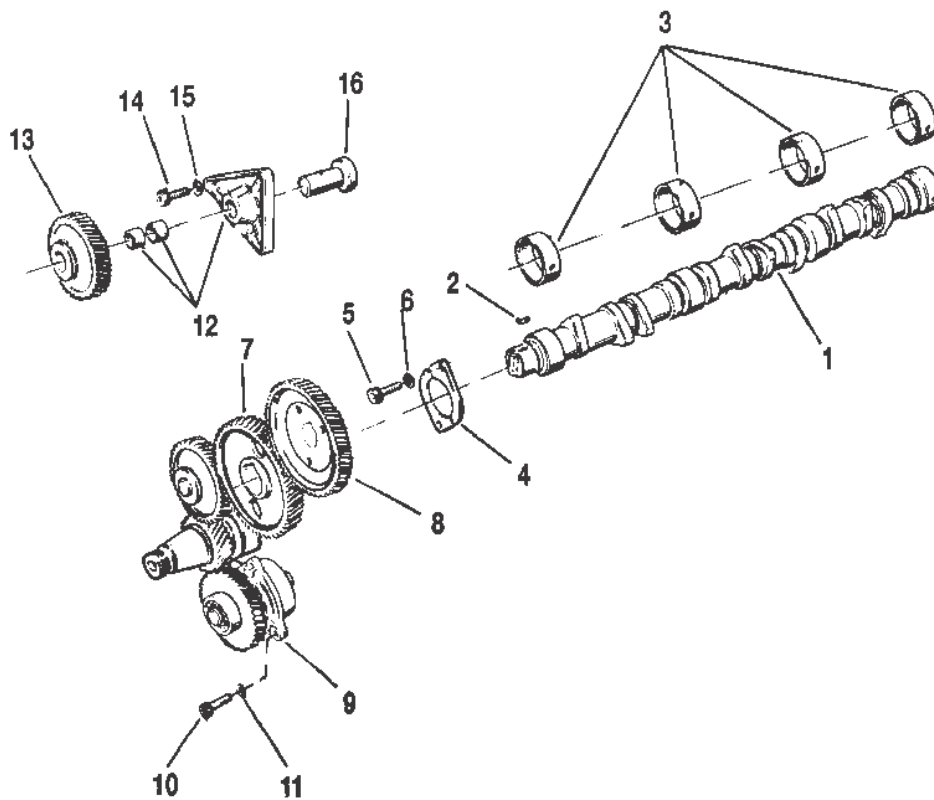
CYLINDER HEAD

Ref #	Part Class	Part Number	Description	Comments	Qty	Note
1	0000	806680	CYLINDER HEAD ASSEMBLY		6	
2	0000	801331664	EXPANSION PLUG		6	
3	0019	809937241	PLUG		6	
4	0019	811389	PLUG		12	
5	0016	801333875	STUD		6	
6	0010	801763377	PLUG		6	
7	0025	809963342	O-RING		6	[1]
8	0000	801331659	GUIDE Valve		12	
9	0000	801331752	PLATE Spring		12	
10	0024	811388	SPRING		12	
11	0000	801331754	CAP Spring		12	
12	0000	801331755	KEEPER		24	
13	0016	801331662	STUD		6	
14	0000	806713	PRECHAMBER		6	
15	0000	806715	VALVE SEAT (INLET)		6	
16	0000	806714	VALVE SEAT (OUTLET)		6	
17	0000	811489	VALVE Inlet		6	
18	0000	811488	VALVE Outlet		6	
19	0016	801331666	STUD		12	
20	0000	801331671	BRIDGE		7	
21	0000	801331673	BRIDGE		2	
22	0000	801331674	BRIDGE		5	
23	0010	806685	BOLT (M14 x 149.5) Center		14	
24	0010	806686	BOLT (M12 x 94.5) Injector Side		6	
25	0010	806687	BOLT (M12 x 127.5) Manifold Side		6	
26	0023	801331670	SPACER		2	
27	0027	823296	GASKET	(1.42 MM)	6	
27	0027	823297	GASKET Cylinder Head	(1.52 MM)	OPT	[2]
27	0027	823298	GASKET	(1.62 MM)	OPT	
28	0032	806769	TUBE Water		1	
29	0033	801763464	PLUG Glow		6	
30	0013	809932047	LOCKWASHER		6	
31	0011	809921038	NUT		6	
32	0000	809589	STRAP Connecting		4	
33	0022	806991	ADAPTER		1	
34	0012	809963201	WASHER		1	
35	0087	814079	SENDER Water Temperature		1	
-	0027	822570A1	GASKET SET Overhaul		1	
-	0027	801763381	GASKET SET Cylinder Head		1	

PART NOTES:

- [1] - COMPONENT OF ENGINE OVERHAUL GASKET SET 822570A 1.
 [2] - COMPONENT OF ENGINE OVERHAUL GASKET SET 822570A 1.
 COMPONENT OF CYLINDER HEAD GASKET SET 801763381.

CAMSHAFT

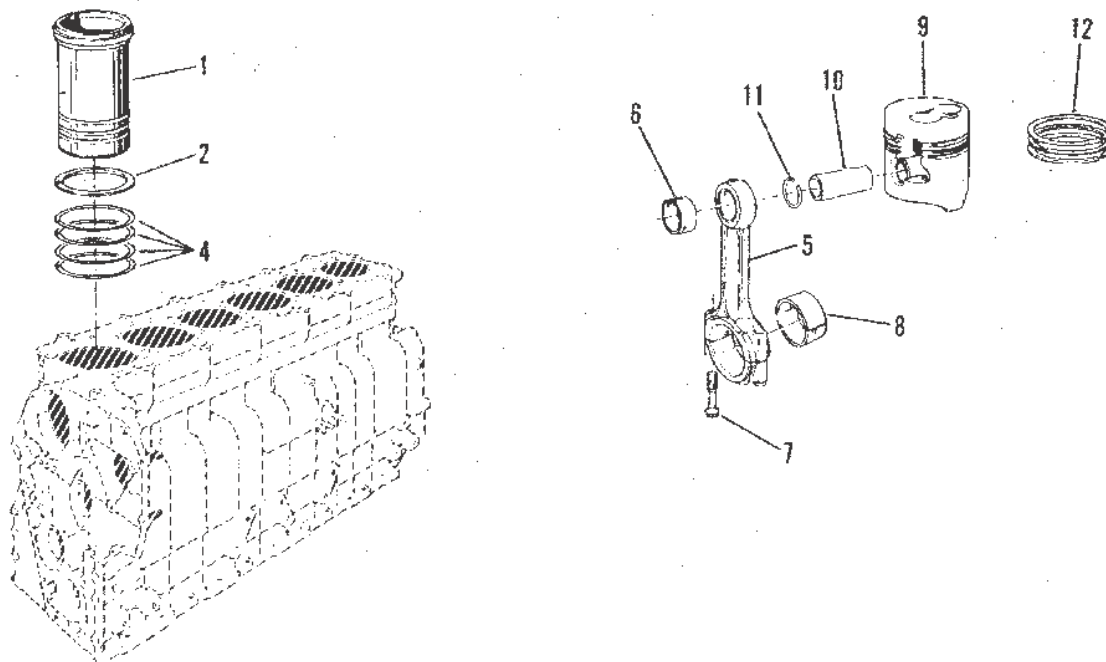


14180

CAMSHAFT

Ref #	Part Class	Part Number	Description	Comments	Qty	Note
1	0487	816798	CAMSHAFT		1	
2	0028	801331735	KEY		1	
3	0023	801331731	BUSHING	(STANDARD)	4	
3	0023	801333864	BUSHING (25 mm)		AR	
4	0000	801331733	PLATE Cam Guide		1	
5	0010	809919940	SCREW (M8 x 18)		2	
6	0013	811384	LOCKWASHER (M8)		2	
7	0043	801331736	GEAR Camshaft		1	
8	0043	816193	GEAR Injector Pump		1	
9	0000	816795	PUMP Oil		1	
10	0010	809919935	SCREW (M8 x 18)		3	
11	0013	811460	LOCKWASHER		3	
12	0043	801333400	BASE PLATE ASSEMBLY		1	
13	0043	811413	GEAR		1	
14	0010	809919935	SCREW (M8 x 18)		3	
15	0012	809931660	WASHER		3	
16	0000	801333402	AXLE Rear		1	

CONNECTING ROD AND PISTON



14181

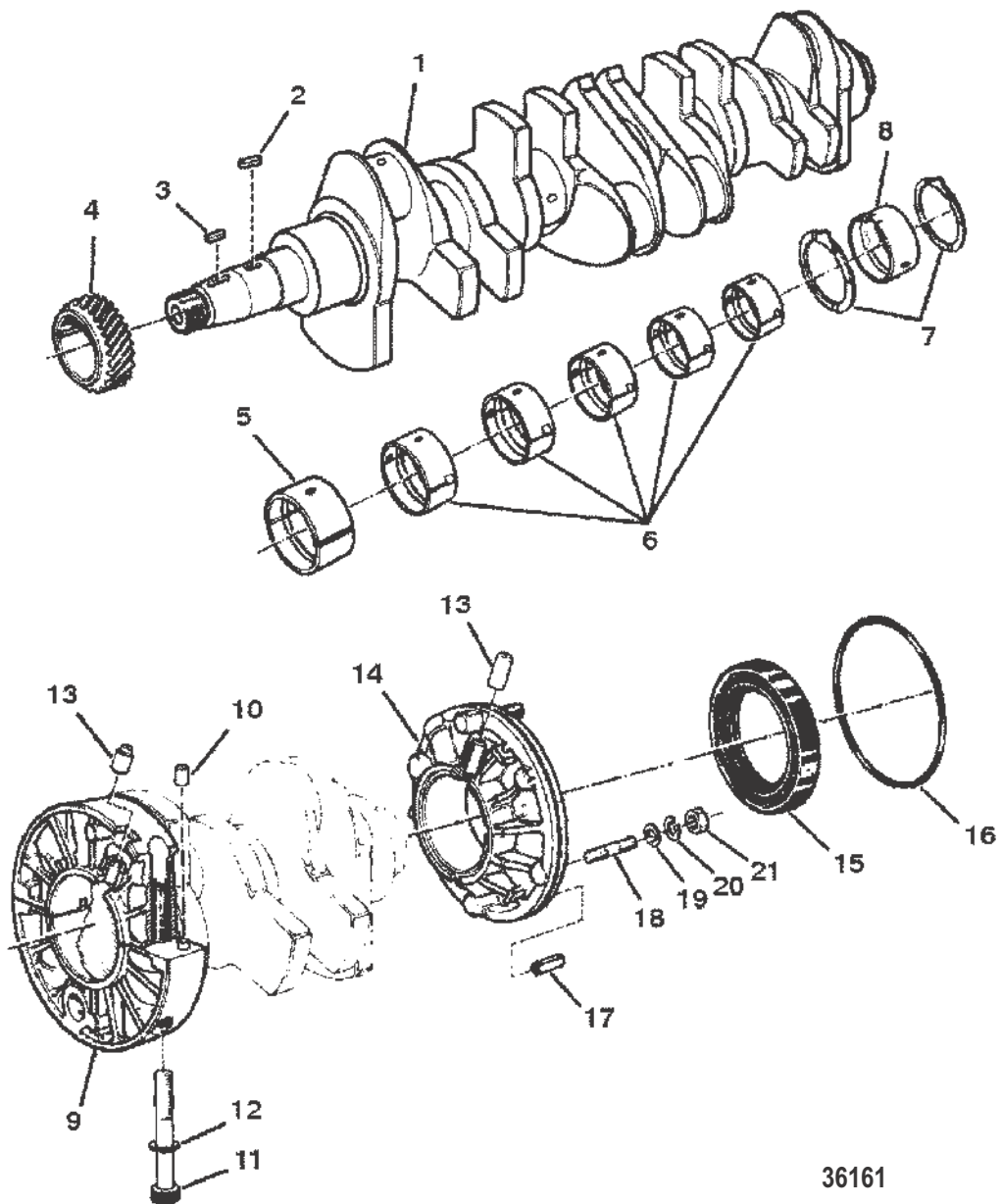
CONNECTING ROD AND PISTON

Ref #	Part Class	Part Number	Description	Comments	Qty	Note
1	0051	801331605	LINER Cylinder (92.00 MM/92.01 MM)		6	
1	0051	801331626	LINER Cylinder (92.01 MM/92.02 MM)		6	
2	0015	801331607	SHIM (15 mm)		AR	
2	0015	801331608	SHIM (20 mm)		AR	
2	0015	801763362	SHIM (23 mm)		AR	
3	0025	811893A1	O-RING		6	[1]
4	0641	808629	CONNECTING ROD ASSEMBLY		6	
5	0023	801331712	BUSHING		6	
6	0010	801331713	BOLT		12	
7	0000	801331715	BEARING Standard		6	
7	0000	801331716	BEARING (25 mm)		AR	
7	0000	801331717	BEARING (50 mm)		AR	
8	0786	801763391	PISTON		6	
9	0041	801763393	PIN Piston		6	
10	0040	801331725	RING		12	
11	0039	801331720	RING Piston		6	
-	0027	822570A1	GASKET SET Overhaul		1	

PART NOTES:

[1] - COMPONENT OF ENGINE OVERHAUL GASKET SET 822570A 1.

CRANKSHAFT



36161

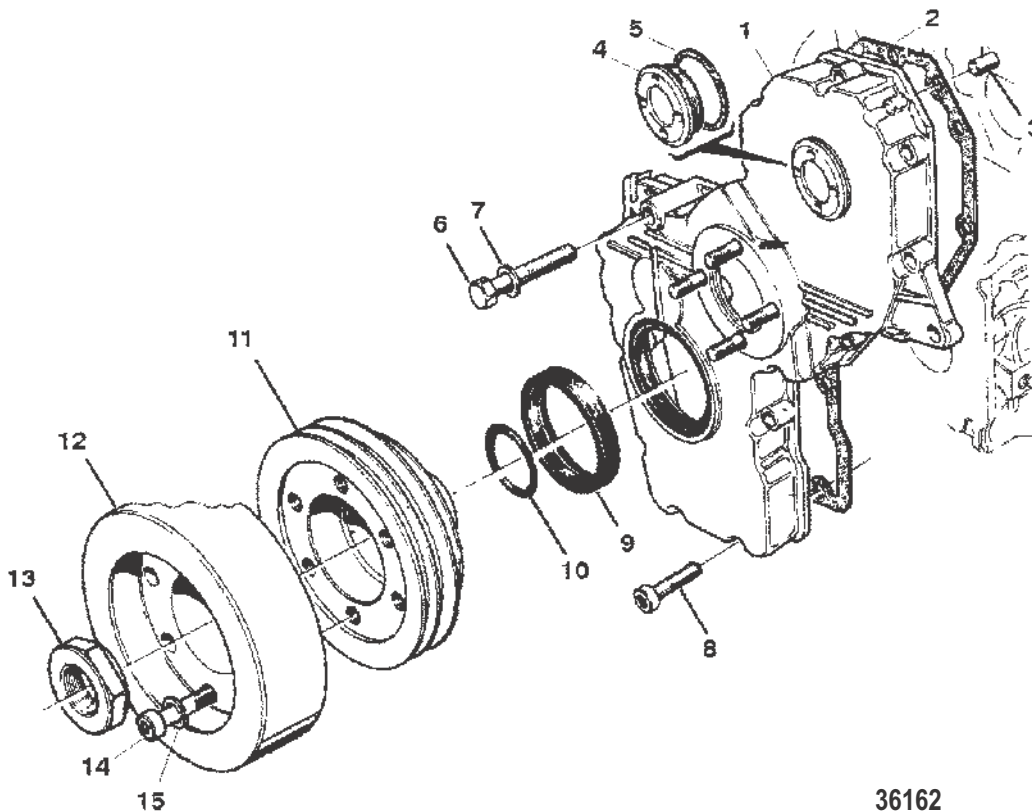
CRANKSHAFT

Ref #	Part Class	Part Number	Description	Comments	Qty	Note
1	0479	801331625	CRANKSHAFT		1	
2	0028	801331642	KEY		1	
3	0028	850421	KEY Pulley		1	
4	0043	801331643	GEAR Crankshaft		1	
5	0023	811376	BEARING Standard		1	
5	0023	811377	BEARING (25 mm)		AR	
5	0023	811378	BEARING (50 mm)		AR	
6	0023	801331631	BEARING Standard		5	
6	0023	801331632	BEARING (25 mm)		AR	
6	0023	801331633	BEARING (50 mm)		AR	
7	0012	801331639	THRUST WASHER (STANDARD)		2	
7	0012	801331640	THRUST WASHER (.10MM)		AR	
7	0012	801331641	THRUST WASHER (.20MM)		AR	
8	0023	801331635	BEARING (STANDARD)		1	
8	0023	801331636	BEARING (.25MM)		AR	
8	0023	801331637	BEARING (.50MM)		AR	
9	0000	811379	FLANGE ASSEMBLY		5	
10	0017	801331647	PIN		10	
11	0010	811382	SCREW (M10 x 90)		10	
12	0013	809932110	LOCKWASHER		10	
13	0000	811381	NOZZLE		6	
14	0000	811380	FLANGE Rear		1	
15	0026	811385	SEAL		1	[1]
16	0025	801331654	O-RING		1	
17	0017	809941485	PIN		1	
18	0016	811383	STUD (M8 x 20)		6	
19	0012	4002217	WASHER		6	
20	0013	811384	LOCKWASHER (M8)		6	
21	0011	400213	NUT (M8) Stainless Steel		6	
-	0027	822570A1	GASKET SET Overhaul		1	

PART NOTES:

[1] - COMPONENT OF ENGINE OVERHAUL GASKET SET 822570A 1.

FRONT COVER



36162

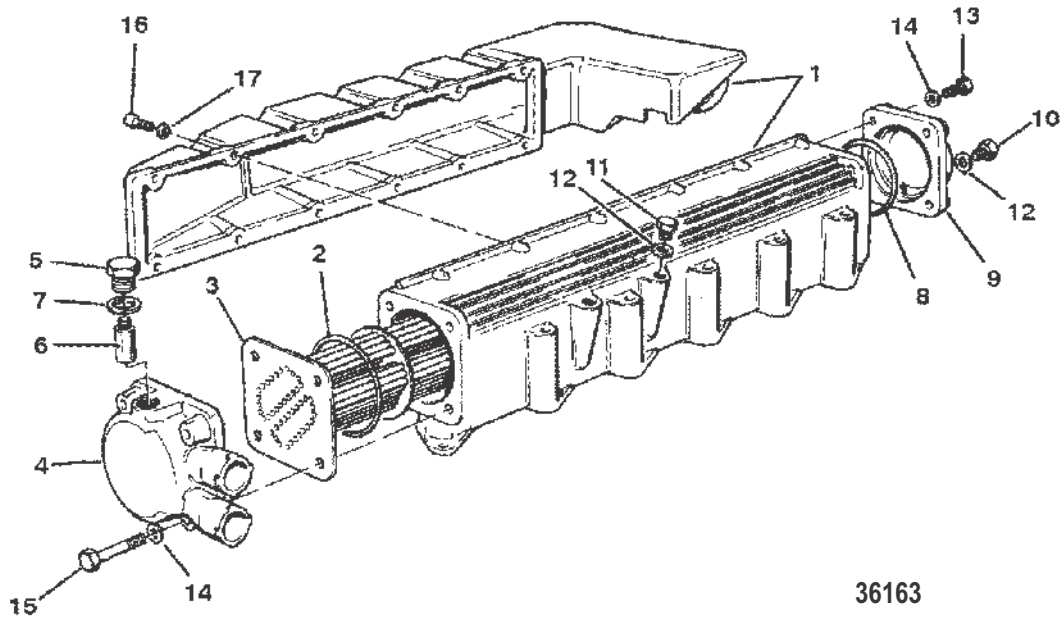
FRONT COVER

Ref #	Part Class	Part Number	Description	Comments	Qty	Note
1	0000	816786	COVER		1	
2	0027	801331616	GASKET		1	[1]
3	0017	801331212	PIN		2	
4	0000	811420	COVER		1	
5	0012	811424	WASHER		1	[1]
6	0010	809913689	SCREW		1	
7	0012	4002217	WASHER		1	
8	0010	811422	SCREW (M6 x 35)		13	
9	0026	811425	SEAL		1	
10	0025	801331706	O-RING		1	[1]
11	0000	850420A1	PULLEY (INCLUDES KEY)		1	
12	0000	809590	VIBRATION DAMPER		1	
13	0011	811421	NUT		1	
14	0010	811423	SCREW (M10 x 45)		6	
15	0013	809933251	LOCKWASHER		6	
-	0027	822570A1	GASKET SET Overhaul		1	

PART NOTES:

[1] - COMPONENT OF ENGINE OVERHAUL GASKET SET 822570A 1.

AIR COOLER



36163

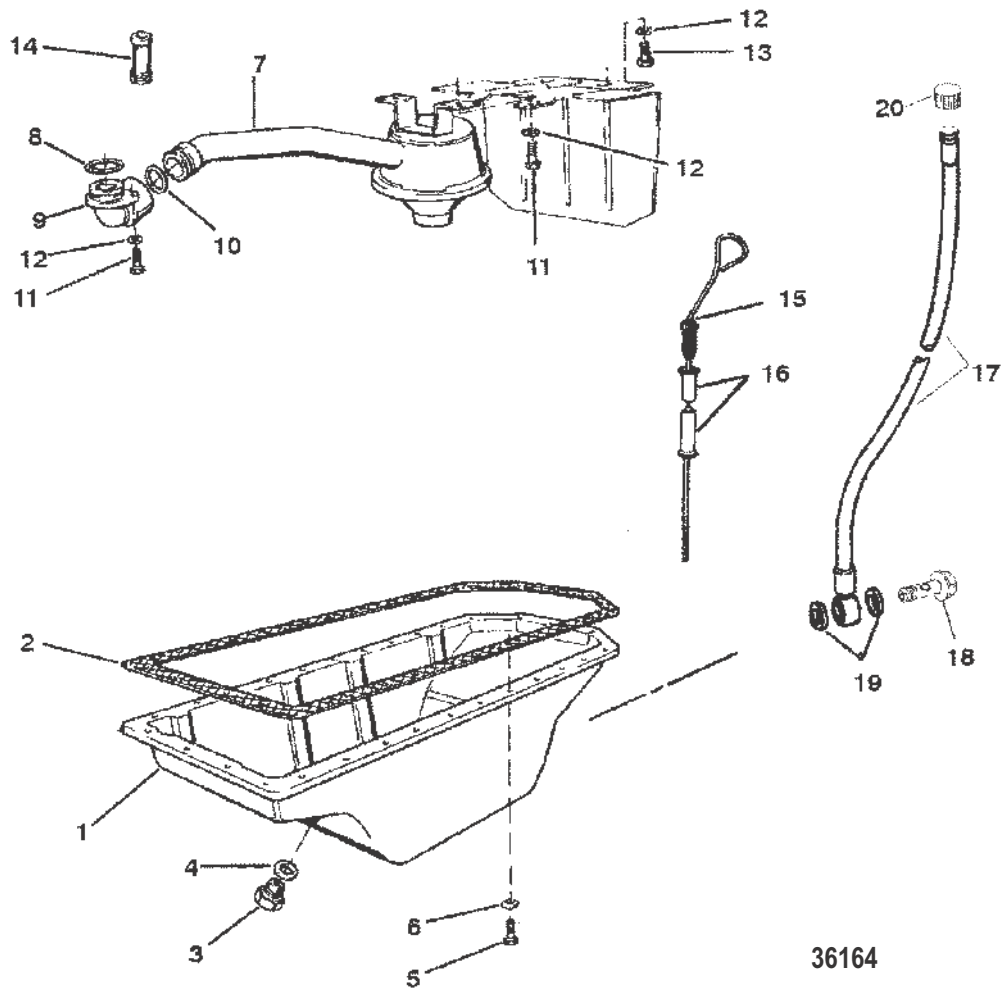
AIR COOLER

Ref #	Part Class	Part Number	Description	Comments	Qty	Note
1	0000	801763457	COOLER Air		1	
2	0025	801763461	O-RING		4	[1]
3	0000	801761367	RADIATOR INSERT		1	
4	0000	801761360	COVER Front		1	
5	0010	811487	PLUG Anode Assembly		1	
6	0000	816000	ANODE		1	
7	0025	809963308	WASHER Sealing		1	
8	0025	801763461	O-RING		1	
9	0000	801763463	COVER Rear		1	
10	0010	801763459	SCREW		1	
11	0010	809919217	SCREW		1	
12	0012	809963072	WASHER		2	
13	0010	809913662	SCREW		6	
14	0013	811460	LOCKWASHER		6	
15	0010	809912516	SCREW (M8 x 50)		2	
16	0010	809919967	SCREW		12	
17	0013	809932071	LOCKWASHER		12	
-	0027	822570A1	GASKET SET Overhaul		1	

PART NOTES:

[1] - COMPONENT OF ENGINE OVERHAUL GASKET SET 822570A 1.

OIL PAN



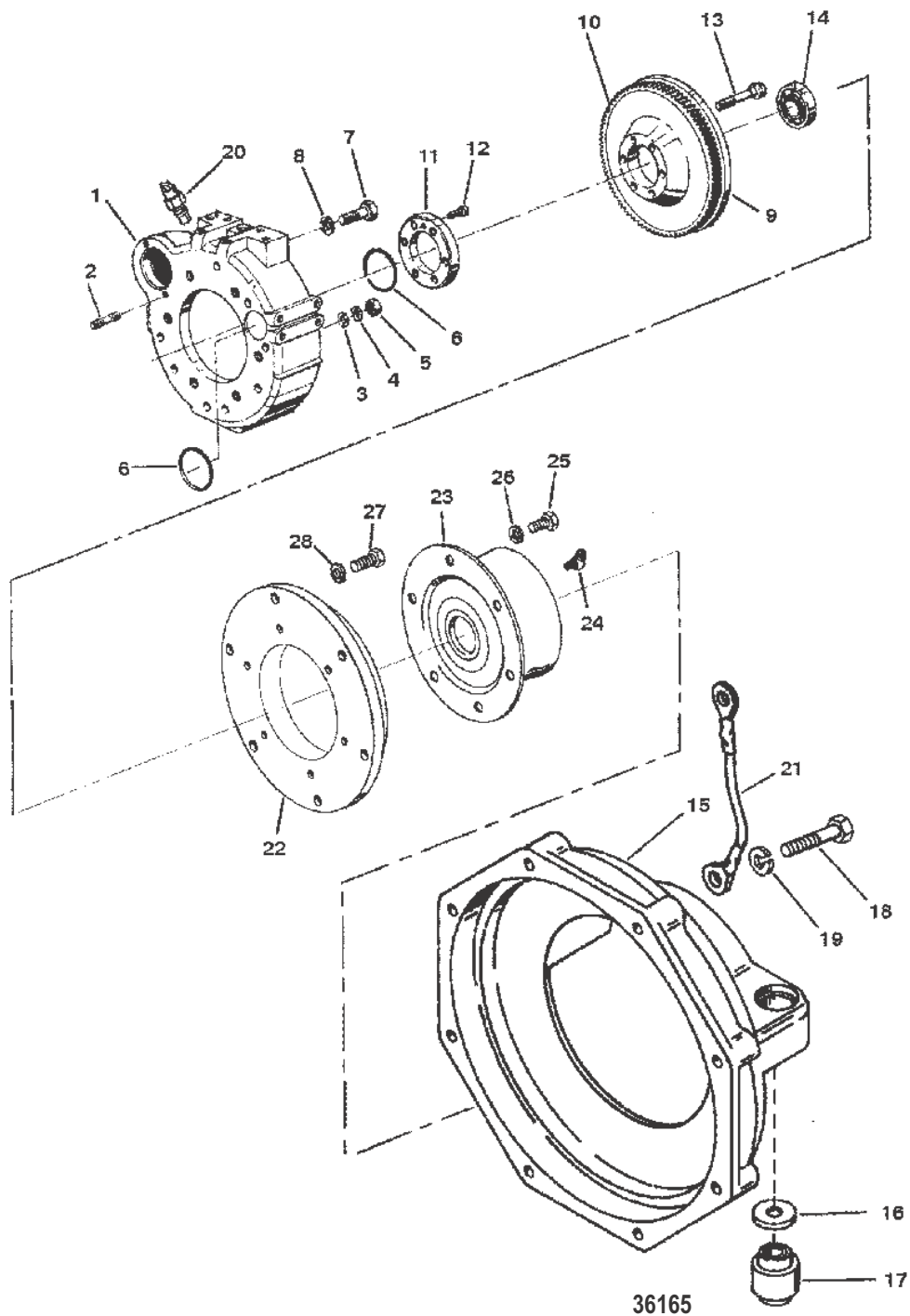
OIL PAN

Ref #	Part Class	Part Number	Description	Comments	Qty	Note
1	0000	801763839	PAN Oil		1	
2	0027	801331613	GASKET Oil Pan		1	[1]
3	0010	809919131	SCREW (M22 x 1.5)		2	
4	0012	809963354	WASHER		2	[1]
5	0010	809913466	SCREW (M6 x 16)		29	
6	0012	809931044	WASHER		29	
7	0000	801763601	TUBE Oil Suction		1	
8	0025	801333415	O-RING		1	[1]
9	0000	801333414	ELBOW Oil Suction		1	
10	0025	801333416	O-RING		2	[1]
11	0010	809913466	SCREW (M6 x 16)		3	
12	0013	809932071	LOCKWASHER		5	
13	0010	809913466	SCREW (M6 x 16)		2	
14	0000	811429	RELEIF TUBE		1	
15	0000	801763600	DIPSTICK		1	
16	0000	801333425	DIPSTICK TUBE		1	
17	0032	807226	HOSE		1	
18	0010	801117181	BOLT Banjo		1	
19	0012	809963201	WASHER		2	
20	0000	807011	CAP		1	
-	0027	822570A1	GASKET SET Overhaul		1	

PART NOTES:

[1] - COMPONENT OF ENGINE OVERHAUL GASKET SET 822570A 1.

FLYWHEEL HOUSING



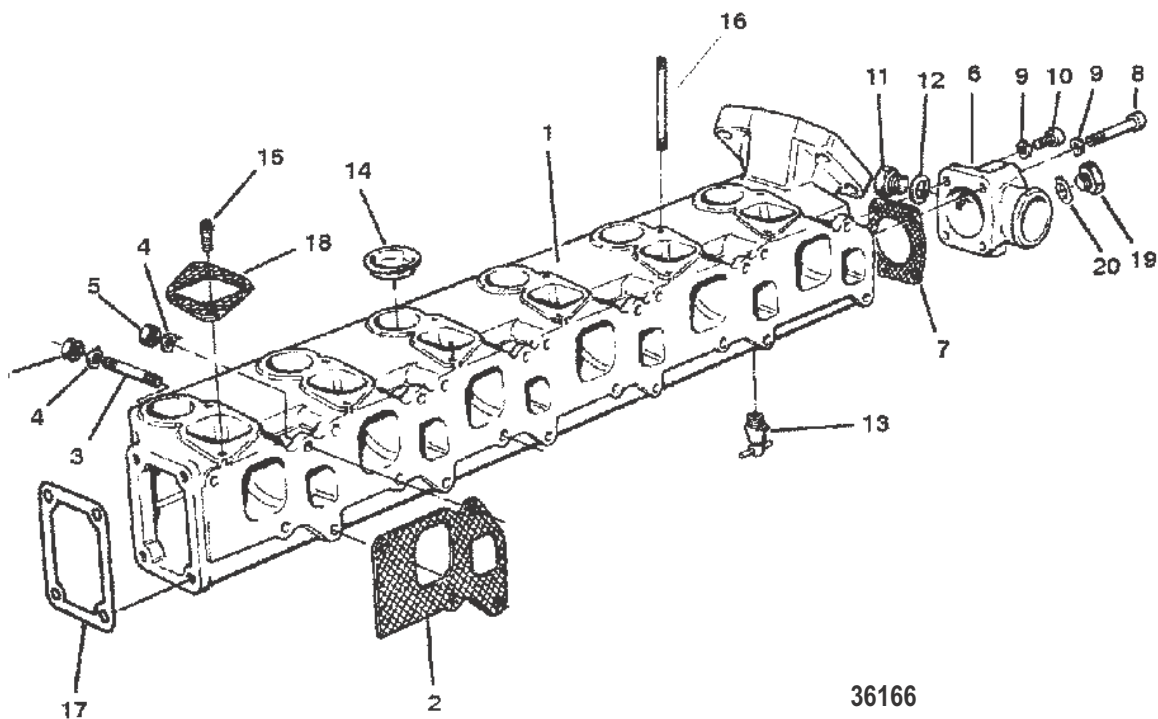
FLYWHEEL HOUSING

Ref #	Part Class	Part Number	Description	Comments	Qty	Note
1	0000	801331695	HOUSING Flywheel		1	
2	0016	809908402	STUD		2	
3	0012	4002217	WASHER		6	
4	0013	811460	LOCKWASHER		6	
5	0011	400213	NUT (M8) Stainless Steel		6	
6	0025	801331619	O-RING		2	[1]
7	0010	40001192	SCREW (M10 x 25)		8	
8	0013	400248	LOCKWASHER (M10)		8	
9	0265	801331699	FLYWHEEL		1	
10	0043	801331701	RING GEAR		1	
11	0000	801331697	SPACER Flywheel		1	
12	0010	801331698	SCREW (M4 x 10)		1	
13	0010	811454	BOLT		6	
14	0030	801331702	BEARING Ball		1	
15	0000	18718A7	HOUSING ASSEMBLY		1	
16	0023	99322	SPACER		2	
17	0000	88791	MOUNT		2	
18	0010	40001206	SCREW (M10 x 50)		7	
19	0013	809931076	LOCKWASHER		7	
20	0000	806553	SENDER Tachometer		1	
21	0084	62826A6	CABLE ASSEMBLY Ground (13.00 Inches) Black		1	
22	0000	806227	ADAPTOR PLATE		1	
23	0000	805684A2	COUPLING		1	
24	0022	74036	FITTING Grease		2	
25	0010	40001192	SCREW (M10 x 25)		6	
26	0013	400248	LOCKWASHER (M10)		6	
27	0010	40001134	SCREW (M8 x 25)		6	
28	0013	400247	LOCKWASHER (M8)		6	
-	0027	822570A1	GASKET SET Overhaul		1	

PART NOTES:

[1] - COMPONENT OF ENGINE OVERHAUL GASKET SET 822570A 1.

EXHAUST MANIFOLD



36166

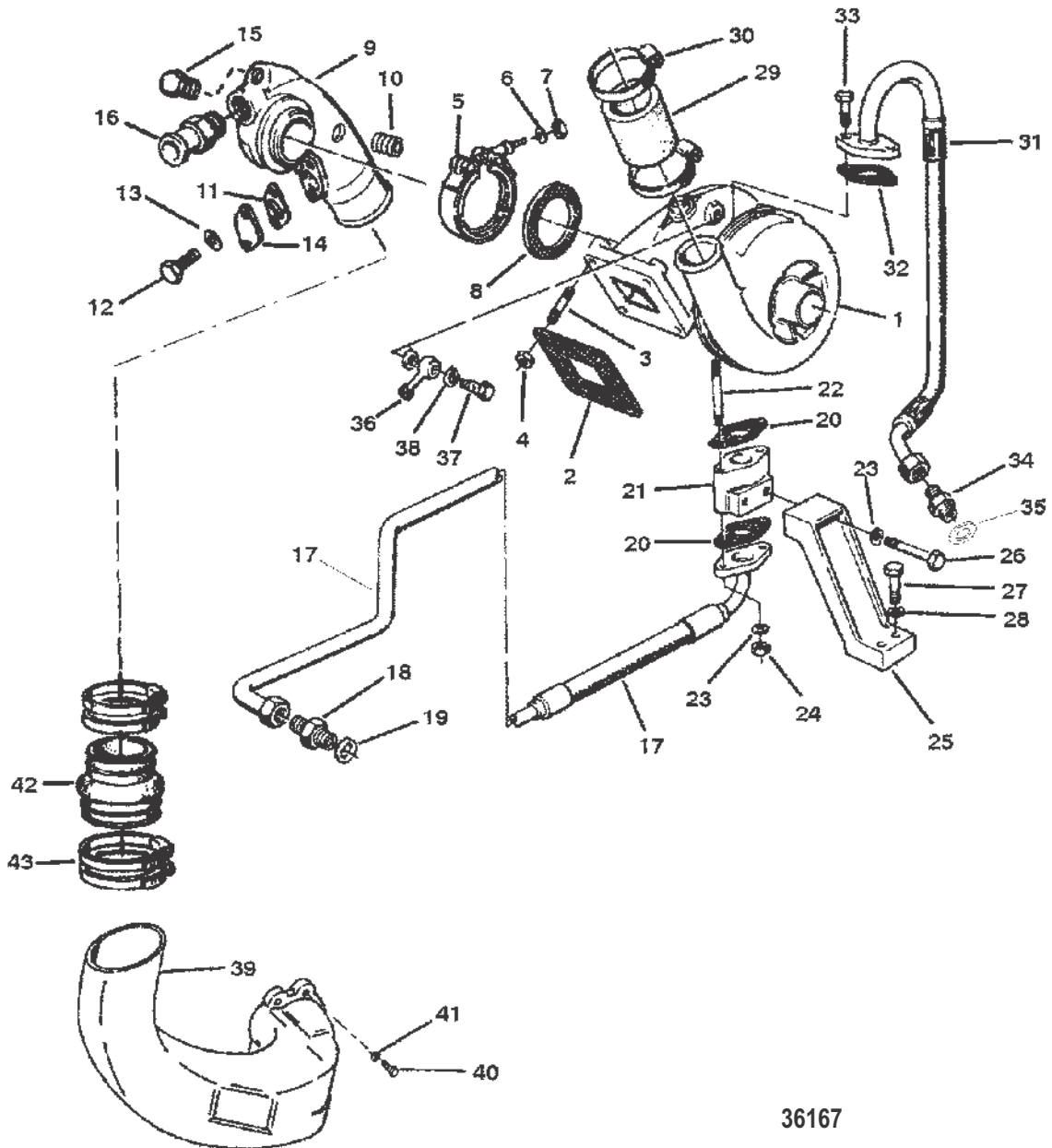
EXHAUST MANIFOLD

Ref #	Part Class	Part Number	Description	Comments	Qty	Note
1	0000	801763438	MANIFOLD Exhaust		1	
2	0027	801333449	GASKET		6	[1]
3	0016	811383	STUD (M8 x 20)		6	
3	0016	801333451	STUD (M8 x 90)		2	
3	0016	811449	STUD		4	
3	0016	801333448	STUD (M8 x 140)		12	
4	0013	811460	LOCKWASHER (M8)		24	
5	0011	811400	NUT (M8)		24	
6	0000	801763630	COVER		1	
7	0027	801763472	GASKET		1	[2]
8	0010	809919961	SCREW		2	
9	0013	809932071	LOCKWASHER		4	
10	0010	809919926	SCREW (M6 x 25)		2	
11	0010	801763445	SCREW		1	
12	0012	809963354	WASHER		1	
13	0022	801331684	FITTING Drain		1	
14	0000	801763439	WELCH PLUG		9	
15	0016	801763443	STUD (M8 X 16)		7	
16	0016	850418	STUD (M8 x 115)		5	
17	0027	801761083	GASKET		1	
18	0027	801333472	GASKET		6	
19	0010	809919114	PLUG		1	
20	0012	809963201	WASHER		1	
-	0027	822570A1	GASKET SET Overhaul		1	
-	0027	801763381	GASKET SET Cylinder Head		1	

PART NOTES:

- [1] - COMPONENT OF ENGINE OVERHAUL GASKET SET 822570A 1.
COMPONENT OF CYLINDER HEAD GASKET SET 801763381.
- [2] - COMPONENT OF ENGINE OVERHAUL GASKET SET 822570A 1.

TURBO CHARGER/EXHAUST ELBOW

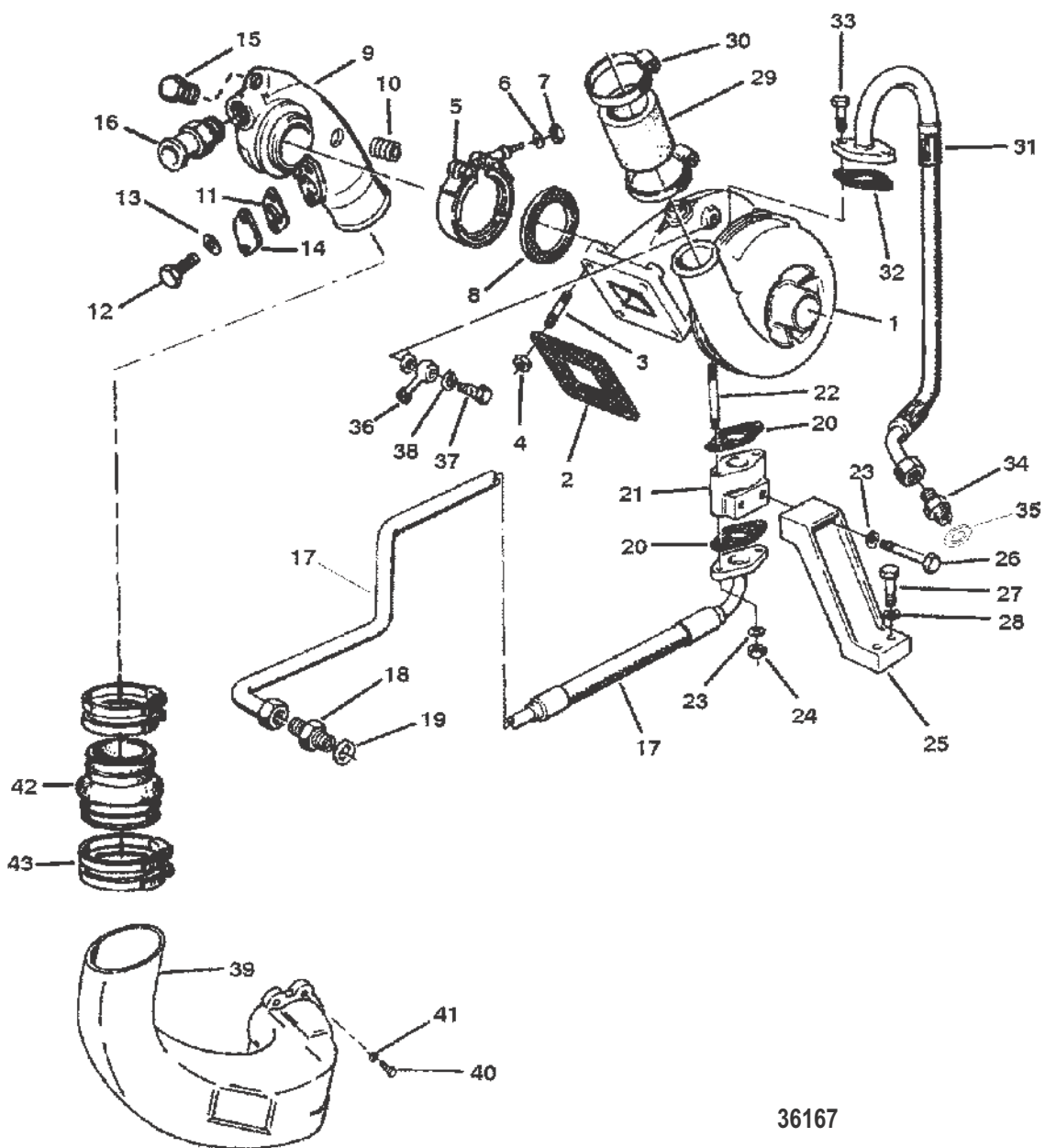


TURBO CHARGER/EXHAUST ELBOW

Ref #	Part Class	Part Number	Description	Comments	Qty	Note
1	0000	801763701	TURBO CHARGER		1	
-	0000	808715	REPAIR KIT		1	
2	0027	801333454	GASKET		1	[1]
3	0016	801333453	STUD (M10 x 30)		4	
4	0011	801763448	NUT (M10)		4	
5	0054	801763272	CLAMP		1	
6	0012	809931036	WASHER		1	
7	0011	809922410	NUT		1	
8	0027	817089	GASKET		1	[1]
9	0000	805602A2	ELBOW Exhaust		1	
10	0022	36382	FITTING (.250-18 x .62) Brass		1	
11	0027	817077	GASKET		1	
12	0010	809913624	SCREW		2	
13	0013	809930840	LOCKWASHER		2	
14	0000	805266T	PLATE		1	
15	0022	91016	PLUG		1	
16	0022	805315	CONNECTOR		1	
17	0032	801763456	PIPE Oil		1	
18	0022	801333464	FITTING		1	
19	0012	809963354	WASHER		1	[1]
20	0027	801333459	GASKET		2	[1]
21	0023	801763450	HOUSING		1	
22	0016	801763451	STUD (M8 x 70)		2	
23	0013	811460	LOCKWASHER (M8)		4	
24	0011	400213	NUT (M8) Stainless Steel		2	
25	0000	801763449	BRACKET Turbo Support		1	
26	0010	809912535	SCREW		2	
27	0010	809919669	SCREW		2	
28	0013	809932104	LOCKWASHER		2	
29	0032	891889	HOSE		1	
30	0054	801333457	CLAMP		2	
31	0032	801763455	PIPE Oil		1	
32	0027	801333462	GASKET		1	[1]
33	0010	809913644	SCREW		2	
34	0022	801763389	FITTING		1	
35	0012	809963201	WASHER		1	
36	0000	8060832	FITTING Banjo		1	
37	0010	801763353	BOLT Banjo		1	
38	0012	809963072	WASHER		2	
39	0000	805013T	PIPE Exhaust		1	
40	0010	58640	SCREW (.375-16 x 1.25)		4	
41	0013	41471	LOCKWASHER (.375)		4	
42	0032	815529	TUBE Exhaust		1	
43	0054	801763219	CLAMP		2	
-	0027	822570A1	GASKET SET Overhaul		1	
-	0027	801331187	GASKET SET Turbocharger		1	

TURBO CHARGER/EXHAUST ELBOW

TURBO CHARGER/EXHAUST ELBOW



36167

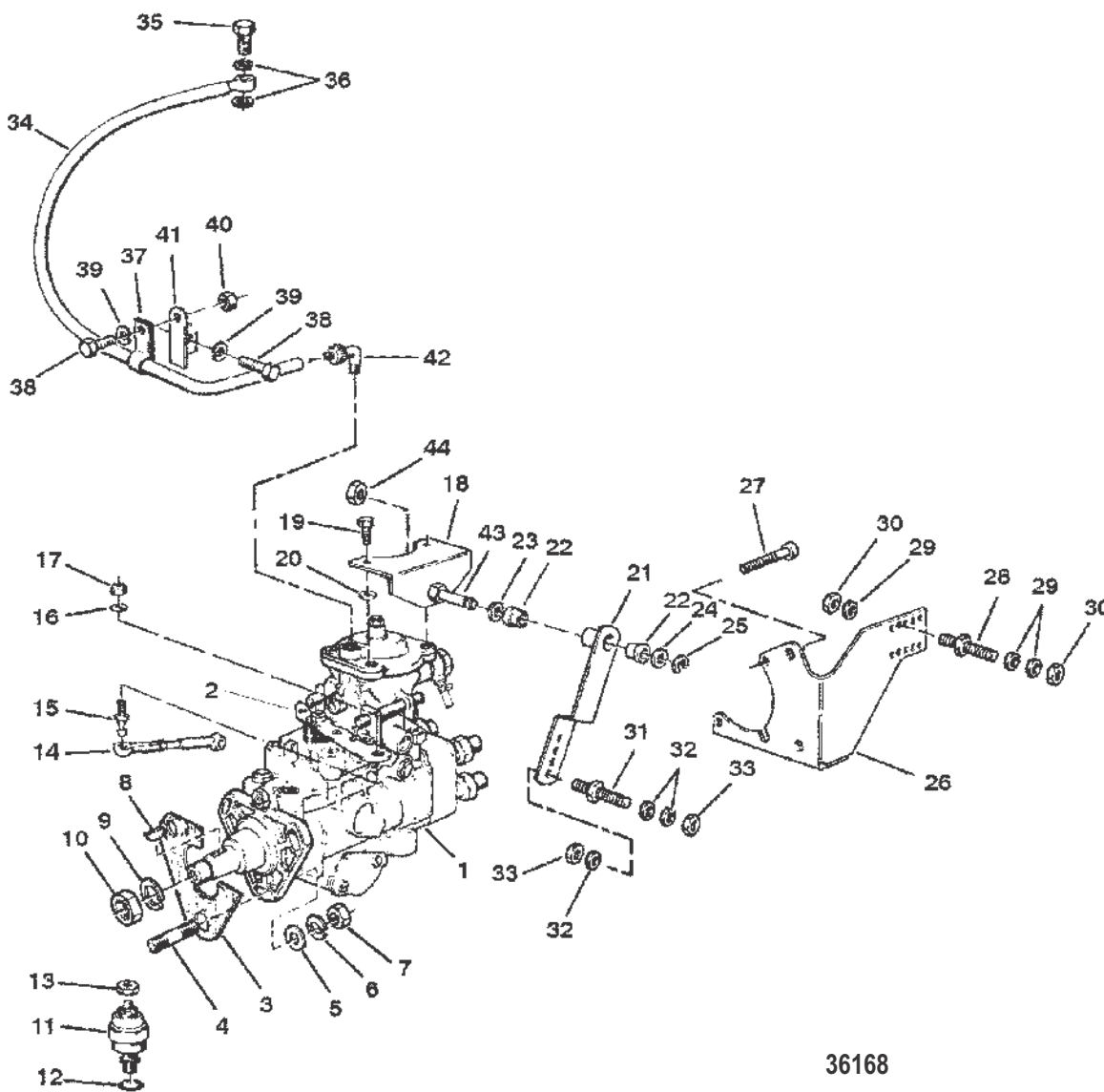
Cat.# 90-854222

TURBO CHARGER/EXHAUST ELBOW

PART NOTES:

- [1] - COMPONENT OF TURBO CHARGER REPAIR SET 808715.
COMPONENT OF ENGINE OVERHAUL GASKET SET 822570A 1.

INJECTION PUMP



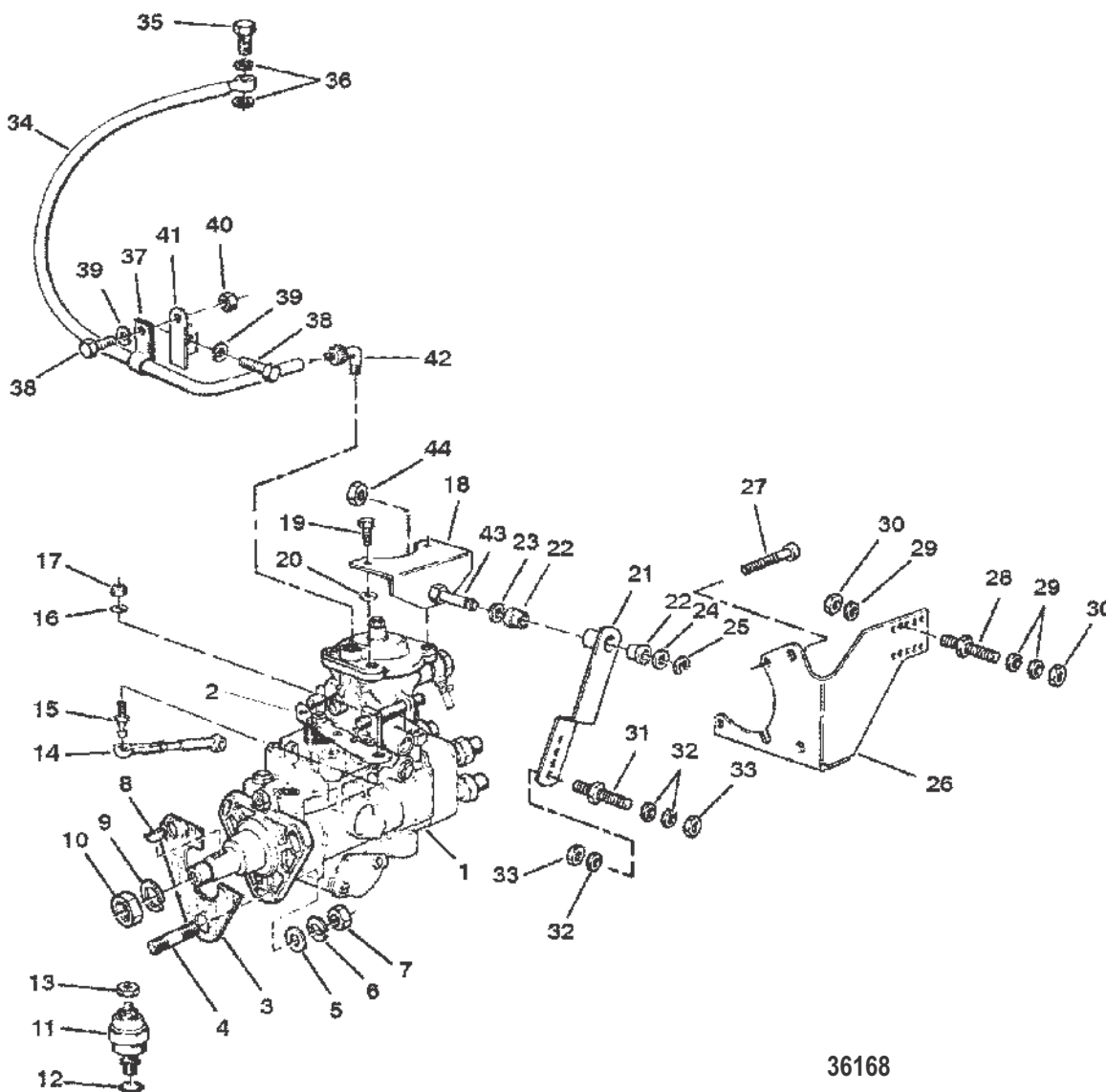
36168

INJECTION PUMP

Ref #	Part Class	Part Number	Description	Comments	Qty	Note
1	0000	816550	PUMP Injection		1	
2	0000	801763618	LEVER		1	
3	0027	801765017	GASKET		1	[1]
4	0016	801333870	STUD		3	
5	0012	801333871	WASHER		3	
6	0013	809930840	LOCKWASHER		3	
7	0011	801331756	NUT		3	
8	0028	801331225	KEY		1	
9	0013	809933127	LOCKWASHER		1	
10	0011	809922133	NUT (M12)		1	
11	0000	801763585	VALVE Fuel Shut Off		1	
12	0025	801761168	O-RING		1	[1]
13	0011	809922038	NUT		1	
14	0000	801333856	ROD KIT Link		1	
15	0017	809987302	PIN		1	
16	0012	809931036	WASHER		1	
17	0011	809922410	NUT		1	
18	0000	801761674	BEARING Angle		1	
19	0010	809913466	SCREW (M6 x 16)		2	
20	0012	809931652	WASHER		2	
21	0000	801763525	LEVER		1	
22	0023	801256320	BUSHING		2	
23	0013	811460	LOCKWASHER		1	
24	0013	809932646	LOCKWASHER		1	
25	0053	809932852	E CLIP		1	
26	0000	801763441	ANGLE Support		1	
27	0010	801761847	SCREW		2	
28	0016	38525	STUD		1	
29	0012	24664	WASHER (M4 x 20)		2	
30	0011	35888	NUT (.250-28) Stainless Steel		2	
31	0016	96112	STUD (.250-28 x 2.00) Throttle Cable Anchor		1	
32	0012	24664	WASHER (M4 x 20)		2	
33	0011	35888	NUT (.250-28) Stainless Steel		2	
34	0032	801763467	TUBE Boost Pressure		1	
35	0010	801333874	SCREW Banjo (M10)		1	
36	0012	809963072	WASHER		2	[1]
37	0054	801761758	CLAMP		1	
38	0010	809913218	SCREW (M5 x 10)		2	
39	0013	809932047	LOCKWASHER		2	
40	0011	809922038	NUT		1	
41	0000	801761757	SUPPORT		1	
42	0022	801333873	CONNECTOR		1	
43	0010	801329200	SCREW		1	
44	0011	815088	NUT (M8)		1	
-	0027	822570A1	GASKET SET Overhaul		1	

INJECTION PUMP

INJECTION PUMP



36168

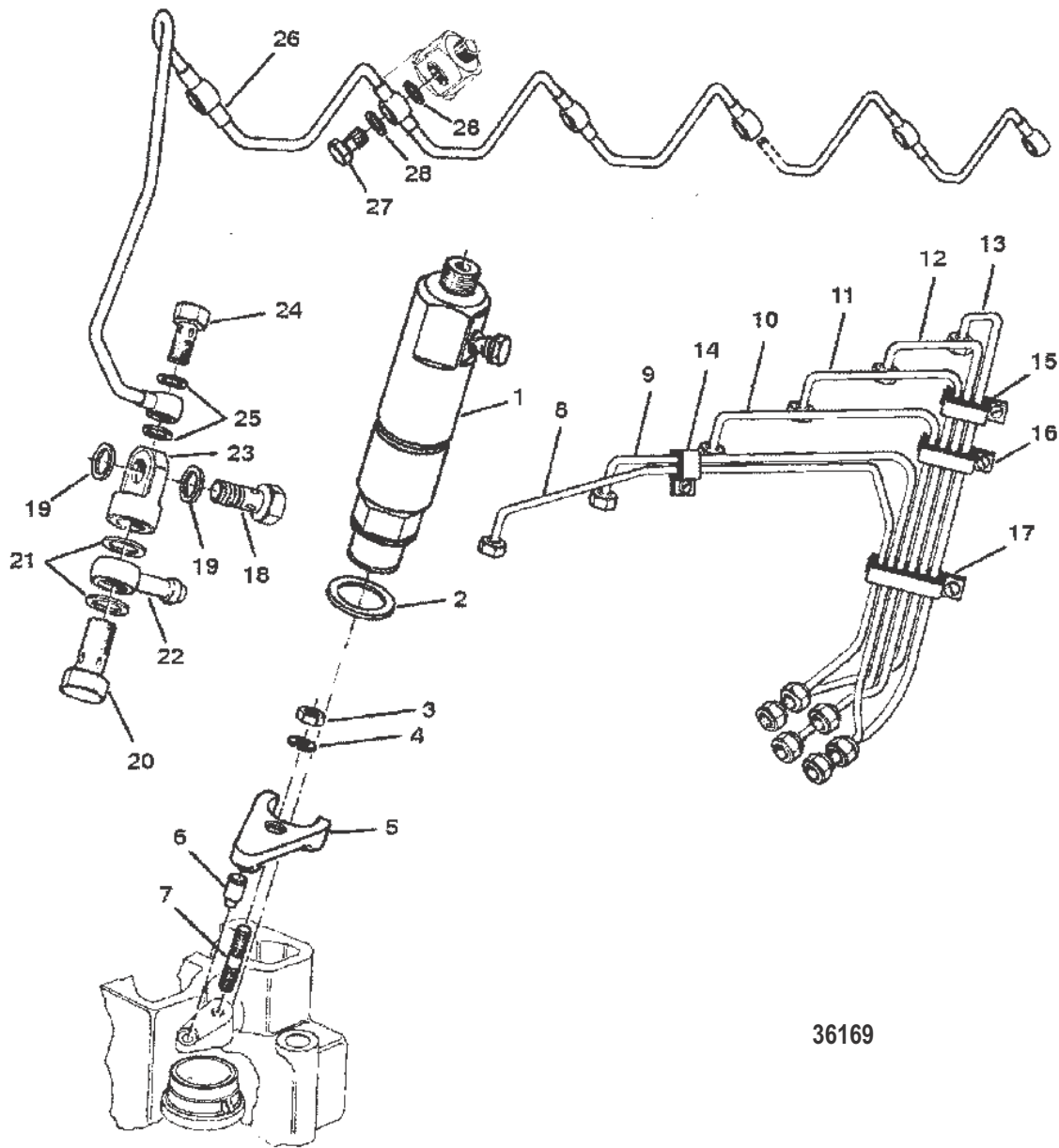
Cat.# 90-854222

INJECTION PUMP

PART NOTES:

[1] - COMPONENT OF ENGINE OVERHAUL GASKET SET 822570A 1.

INJECTION NOZZLE/LINES



36169

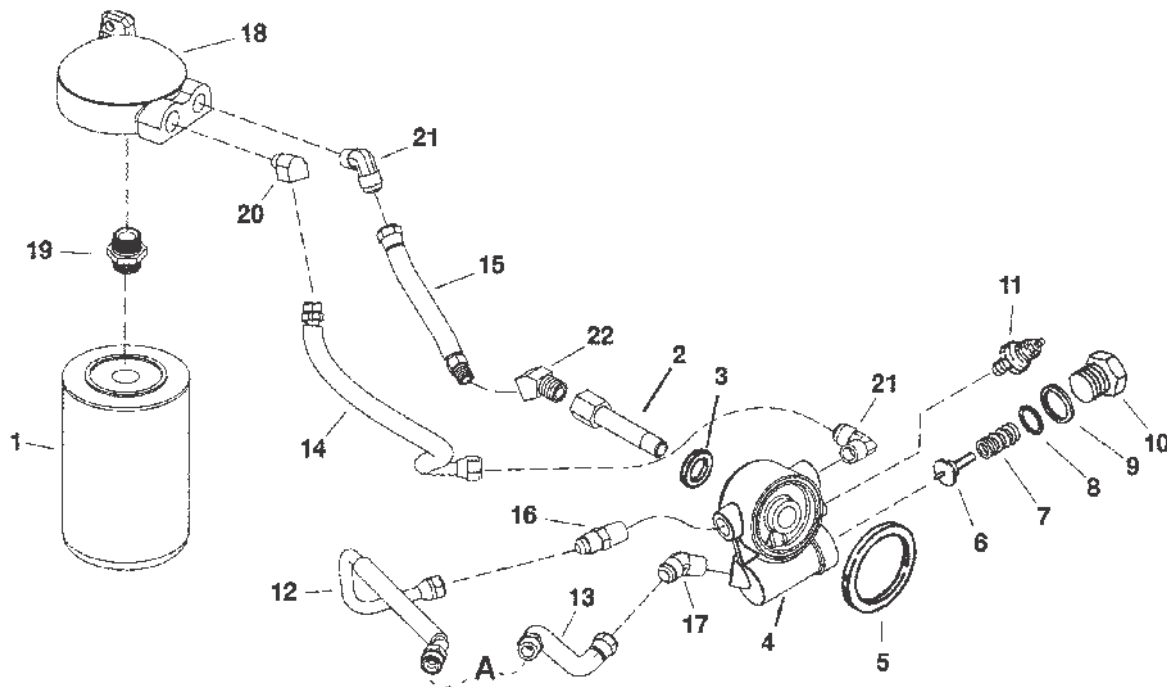
INJECTION NOZZLE/LINES

Ref #	Part Class	Part Number	Description	Comments	Qty	Note
1	0000	801331226	INJECTION NOZZLE		6	
2	0012	801331234	WASHER		6	[1]
3	0011	400213	NUT (M8) Stainless Steel		6	
4	0013	809930840	LOCKWASHER		6	
5	0000	801331236	CLAMP Injection Nozzle Hold Down		6	
6	0023	801331235	SPACER		6	
7	0016	801333875	STUD		6	
8	0032	801331242	PRESSURE PIPE (CYLINDER #1)		1	
9	0032	801331243	PRESSURE PIPE (CYLINDER #2)		1	
10	0032	801331244	PRESSURE PIPE (CYLINDER #3)		1	
11	0032	801331245	PRESSURE PIPE (CYLINDER #4)		1	
12	0032	801331246	PRESSURE PIPE (CYLINDER #5)		1	
13	0032	801331247	PRESSURE PIPE (CYLINDER #6)		1	
14	0054	801331248	CLAMP		1	
15	0054	801331249	CLAMP		1	
16	0054	801331238	CLAMP		1	
17	0054	801331239	CLAMP		1	
18	0010	801761166	SCREW		1	
19	0025	809963129	WASHER		2	[2]
20	0010	801269852	BOLT Banjo		1	
21	0012	809963201	WASHER		2	[2]
22	0000	801763843	FITTING		1	
23	0000	801761163	CONNECTOR Return		1	
24	0010	801761165	BOLT Banjo (M8 x 1.00)		1	
25	0025	809963042	O-RING		2	[2]
26	0032	801331240	RETURN PIPE		1	
27	0010	801331233	BOLT Banjo		6	
28	0025	809963034	WASHER Sealing		12	[1]
-	0027	822570A1	GASKET SET Overhaul		1	
-	0027	801763381	GASKET SET Cylinder Head		1	

PART NOTES:

- [1] - COMPONENT OF ENGINE OVERHAUL GASKET SET 822570A 1.
COMPONENT OF CYLINDER HEAD GASKET SET 801763381.
- [2] - COMPONENT OF ENGINE OVERHAUL GASKET SET 822570A 1.

OIL FILTER AND OIL HOSES



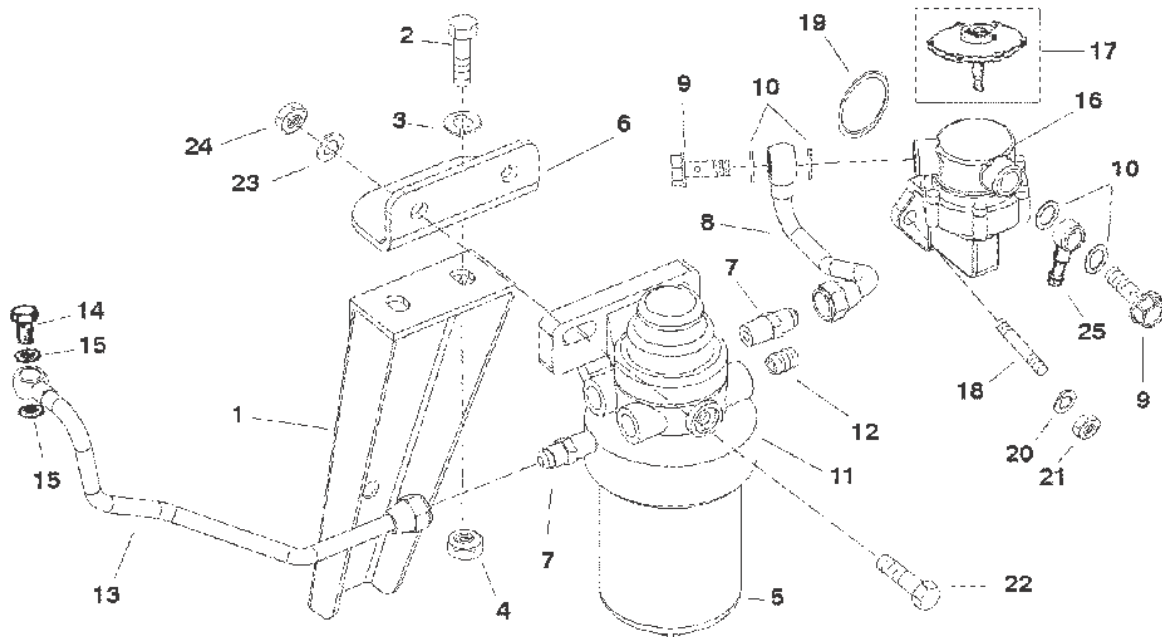
A = TO OIL COOLER

36170

OIL FILTER AND OIL HOSES

Ref #	Part Class	Part Number	Description	Comments	Qty	Note
1	0035	19485	FILTER		1	
2	0022	807205	FITTING		1	
3	0025	809963342	O-RING		1	
4	0000	807206T	ADAPTER Oil Filter		1	
5	0025	805732	O-RING (2.612 x .103)		1	
6	0000	816163	THERMOSTAT		1	
7	0024	816162	SPRING		1	
8	0000	809963467	SEAL		1	
9	0025	98277	SEAL		1	
10	0022	8069481	PLUG		1	
11	0087	817169	SWITCH		1	
12	0032	807418	HOSE Oil		1	
13	0032	807419	HOSE Oil		1	
14	0032	807420	HOSE Oil		1	
15	0032	807421	HOSE Oil		1	
16	0022	806380	FITTING		1	
17	0022	807780	FITTING		1	
18	0000	807207T	HEADER		1	
19	0022	801331137	FITTING		1	
20	0022	63825	ELBOW		1	
21	0022	8204521	FITTING		2	
22	0022	48872	FITTING 45 Degree Elbow		1	

FUEL FILTER



36171

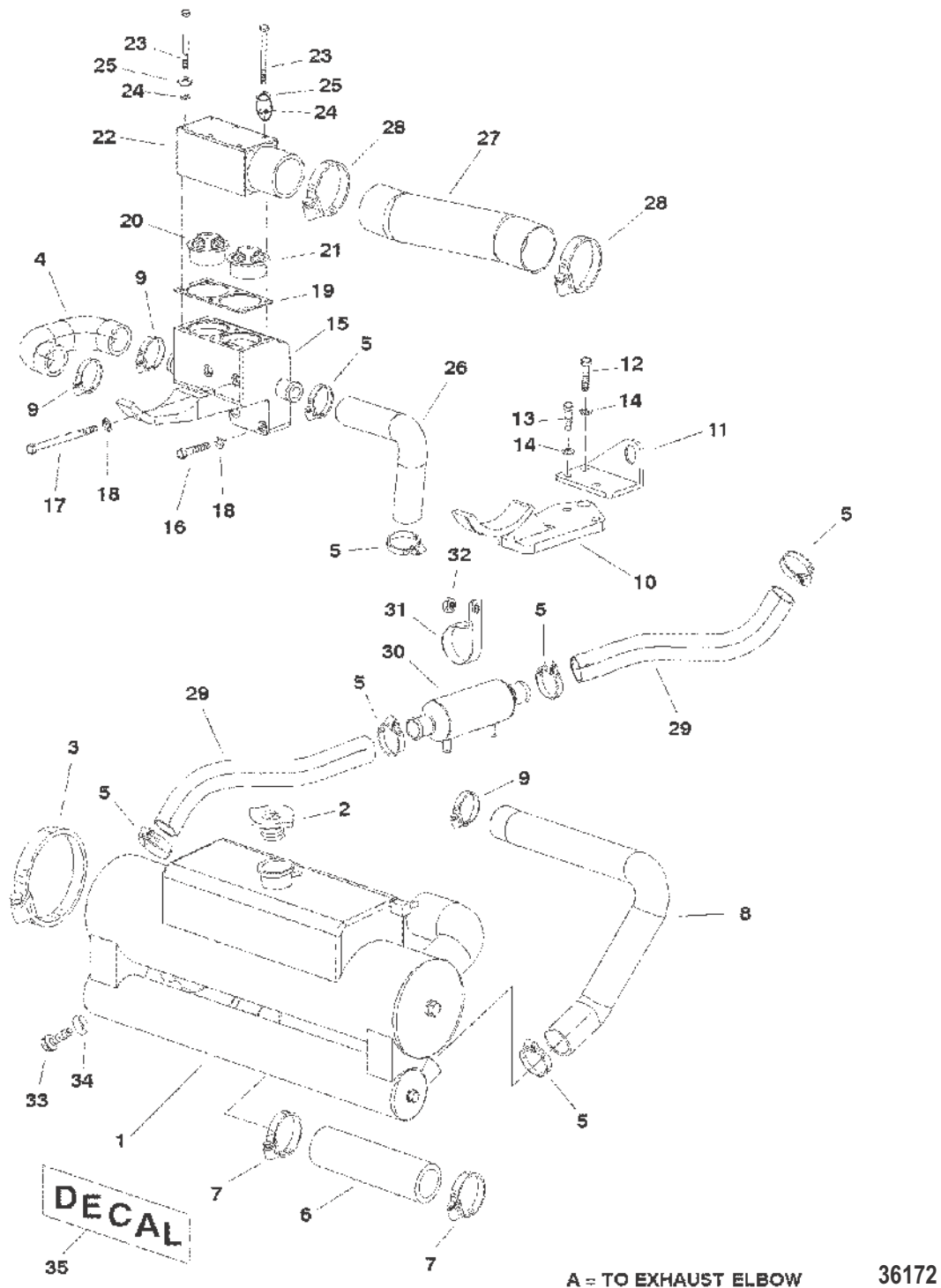
FUEL FILTER

Ref #	Part Class	Part Number	Description	Comments	Qty	Note
1	0000	801763598	BRACKET		1	
2	0010	809919669	SCREW (M10 X 35)		2	
3	0013	809931076	LOCKWASHER		2	
4	0011	809922113	NUT (M10)		2	
5	0035	807256	FILTER		1	
6	0000	807180T	BRACKET		1	
7	0022	807781	FITTING		2	
8	0032	807208	LINE Fuel		1	
9	0010	801117181	BOLT Banjo (M14)		2	
10	0012	809963201	WASHER		4	
11	0035	860086T	HEADER With Out Filter		1	
-	0000	861068	RING Locking - Fuel Filter		1	
12	0022	36382	FITTING (.250-18 x .62) Brass		2	
13	0032	807209	LINE Fuel		1	
14	0010	809917409	BOLT Banjo		1	
15	0025	809963129	WASHER		2	
16	0000	811416	PUMP ASSEMBLY Fuel		1	
17	0000	801333865	DIAPHRAGM		1	
18	0016	811383	STUD (M8 x 20)		2	
19	0025	801331219	O-RING		1	[1]
20	0013	811418	LOCKWASHER		2	
21	0011	811417	NUT		2	
22	0010	809913843	BOLT		2	
23	0013	809931076	LOCKWASHER		2	
24	0011	400266	NUT (M10)		2	
25	0000	801763843	FITTING		1	
-	0027	822570A1	GASKET SET Overhaul		1	

PART NOTES:

[1] - COMPONENT OF ENGINE OVERHAUL GASKET SET 822570A 1.

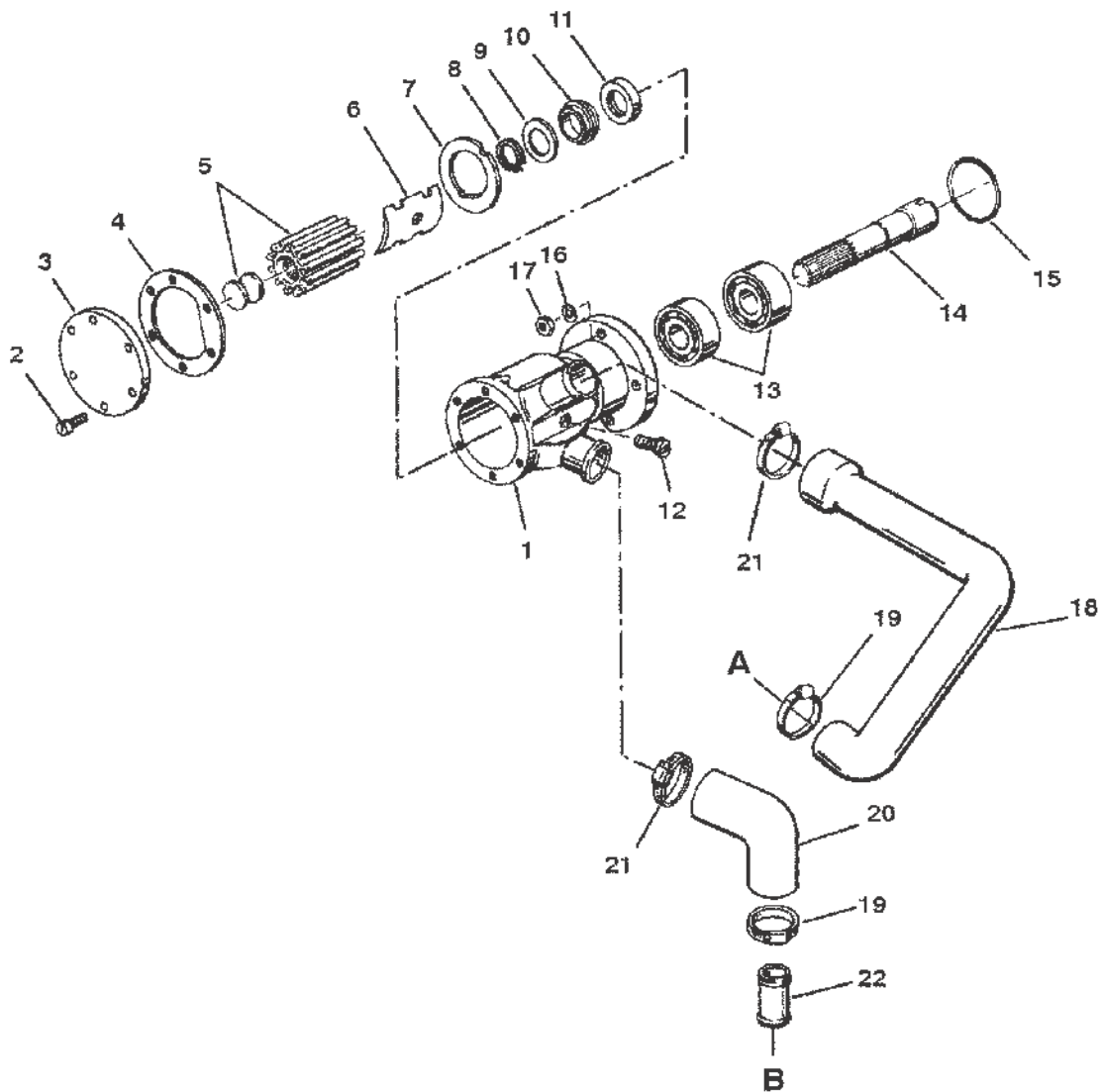
HEAT EXCHANGER AND HOSES



HEAT EXCHANGER AND HOSES

Ref #	Part Class	Part Number	Description	Comments	Qty	Note
1	0000	807261	HEAT EXCHANGER		1	
2	0036	808108	CAP		1	
-	0097	806000	ANODE		1	
-	0010	88743	SCREW (.312-18 x .500)		2	
-	0000	806002A1	END CAP ASSEMBLY		2	
-	0027	806882	GASKET		2	
-	0010	846109	SCREW (.375-16 x .875)		2	
-	0000	860319A1	END COVER		2	
-	0027	806883	GASKET		2	
3	0054	815504388	CLAMP Worm Gear		2	
4	0032	805741	HOSE		1	
5	0054	815504220	CLAMP Worm Gear		5	
6	0032	805743	HOSE		1	
7	0054	815504232	CLAMP Worm Gear (2.50 Diameter)		2	
8	0032	805740	HOSE		1	
9	0054	815504228	CLAMP Worm Gear		5	
10	0000	805943A1	BRACKET		1	
11	0000	811372	LIFTING EYE		2	
12	0010	809919669	SCREW (M10 X 35)		1	
13	0010	809913843	BOLT		2	
14	0013	400248	LOCKWASHER (M10)		2	
15	0000	805681	HOUSING		1	
16	0010	4000359	SCREW (M8 x 60)		2	
17	0010	4000363	SCREW (M8 x 100)		2	
18	0013	811460	LOCKWASHER (M8)		4	
19	0027	805723	GASKET		1	
20	0000	805947	THERMOSTAT 71°C (160°F)		1	
21	0000	805948	THERMOSTAT 82°C (180°F)		1	
22	0000	805682	COVER Thermostat Housing		1	
23	0010	4000338	SCREW (M6 x 78)		6	
24	0013	400256	LOCKWASHER (M6)		6	
25	0012	16826	WASHER Stainless Steel		6	
26	0032	805744	HOSE		1	
27	0032	805739	HOSE		1	
28	0054	815504240	CLAMP Worm Gear		2	
29	0032	806548440	HOSE		2	
30	0000	99356A2	COOLER ASSEMBLY		1	
31	0054	18904	CLIP		1	
32	0011	400213	NUT (M8) Stainless Steel		1	
33	0010	809919131	SCREW (M22 x 1.5)		1	
34	0012	809963354	WASHER		1	
35	0037	8057292	DECAL (3.6L)		1	

SEAWATER PUMP



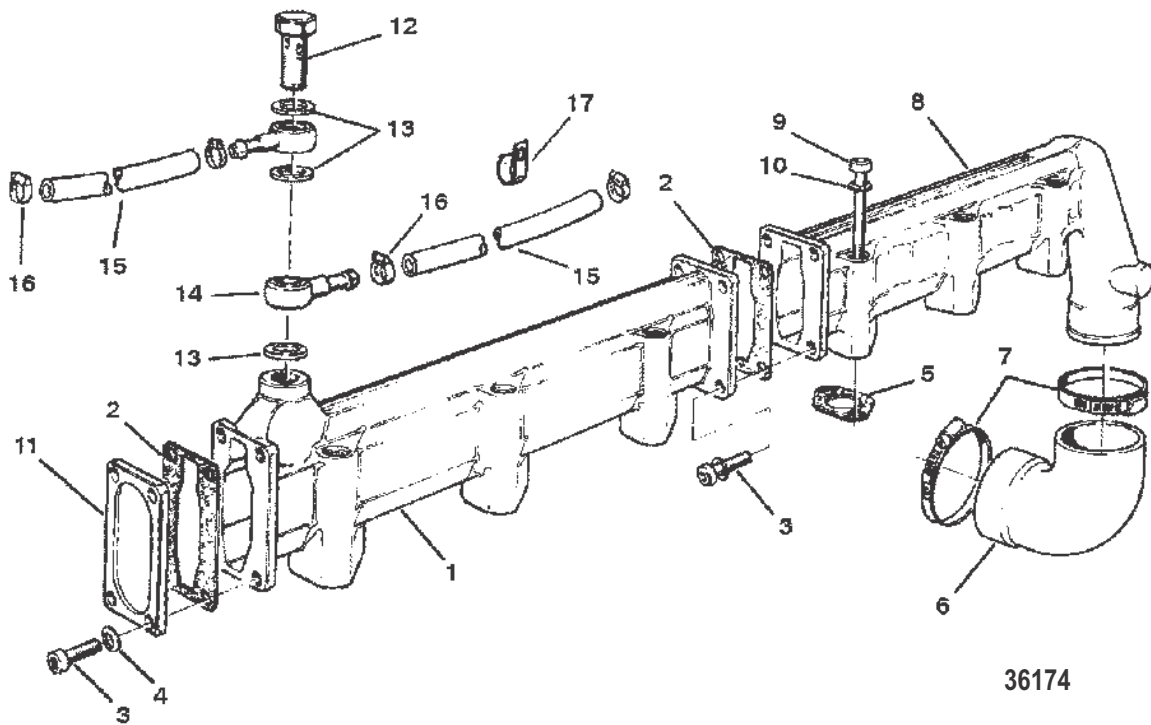
A = TO AIR COOLER
B = TO SEA WATER FILTER

36173

SEAWATER PUMP

Ref #	Part Class	Part Number	Description	Comments	Qty	Note
1	0046	816248	PUMP ASSEMBLY		1	
2	0010	801332608	SCREW		6	
3	0000	801332607	COVER		1	
4	0027	801332606	GASKET		1	
5	0047	816814	IMPELLER		1	
6	0000	816813	CAM		1	
7	0012	801332601	WEAR PLATE		1	
8	0053	816815	RING		1	
9	0023	816816	SPACER		1	
10	0000	816817	SEAL		1	
11	0026	816818	SEAL		1	
12	0010	801332604	SCREW		1	
13	0030	816819	BEARING		2	
14	0000	816820	SHAFT		1	
15	0025	801333850	O-RING		1	
16	0013	811460	LOCKWASHER		4	
17	0011	400213	NUT (M8) Stainless Steel		4	
18	0032	805017	HOSE		1	
19	0054	815504228	CLAMP Worm Gear		2	
20	0032	816174A1	HOSE		1	
21	0054	815504232	CLAMP Worm Gear (2.50 Diameter)		2	
22	0032	816173	HOSE Reducer		1	

MANIFOLD STRIP



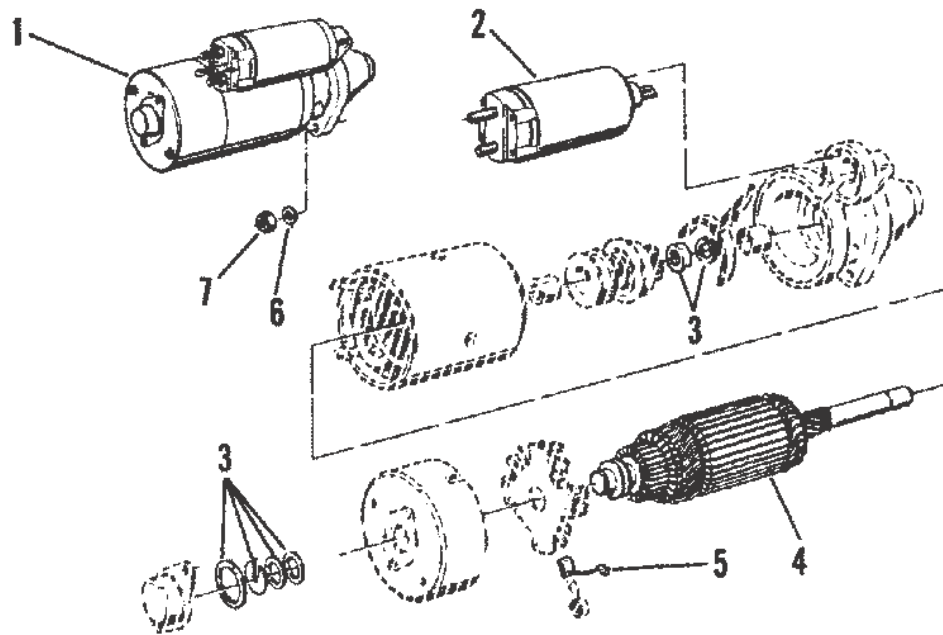
MANIFOLD STRIP

Ref #	Part Class	Part Number	Description	Comments	Qty	Note
1	0000	816785	STRIP Manifold (FRONT)		1	
2	0027	811434	GASKET		2	
3	0010	809919781	SCREW (M6 x 18)		8	
4	0013	809932062	LOCKWASHER		8	
5	0027	801331204	GASKET		6	[1]
6	0000	811433	ELBOW		1	
7	0054	811435	CLAMP		2	
8	0000	816784	STRIP Manifold (REAR)		1	
9	0010	811436	SCREW (M6 x 80)		6	
10	0012	811437	WASHER		6	
11	0000	811432	COVER		1	
12	0010	801263264	BOLT Banjo		1	
13	0025	809963130	WASHER Sealing		3	
14	0000	8060833	FITTING Banjo		2	
15	0032	1940971	HOSE (54.00 Inches Bulk)		2	
16	0054	809952104	CLAMP		4	
17	0054	814634	CLAMP		1	
-	0027	822570A1	GASKET SET Overhaul		1	
-	0027	801763381	GASKET SET Cylinder Head		1	

PART NOTES:

- [1] - COMPONENT OF ENGINE OVERHAUL GASKET SET 822570A 1.
COMPONENT OF CYLINDER HEAD GASKET SET 801763381.

Starter Motor



14199

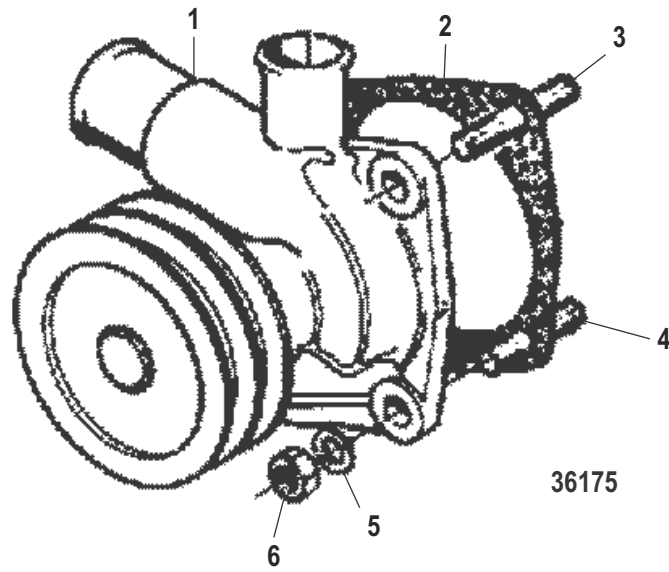
Cat.# 90-854222

Starter Motor

Ref #	Part Class	Part Number	Description	Comments	Qty	Note
1	0050	801333980	STARTER MOTOR ASSEMBLY		1	
2	0000	801334380	RELAY		1	
3	0000	801334379	PARTS SET ARMATURE		1	
4	0000	801334377	ARMATURE		1	
5	0000	801334378	BRUSH SET		1	
6	0013	811460	LOCKWASHER		2	
7	0011	809922133	NUT		2	

Starter Motor

WATER PUMP



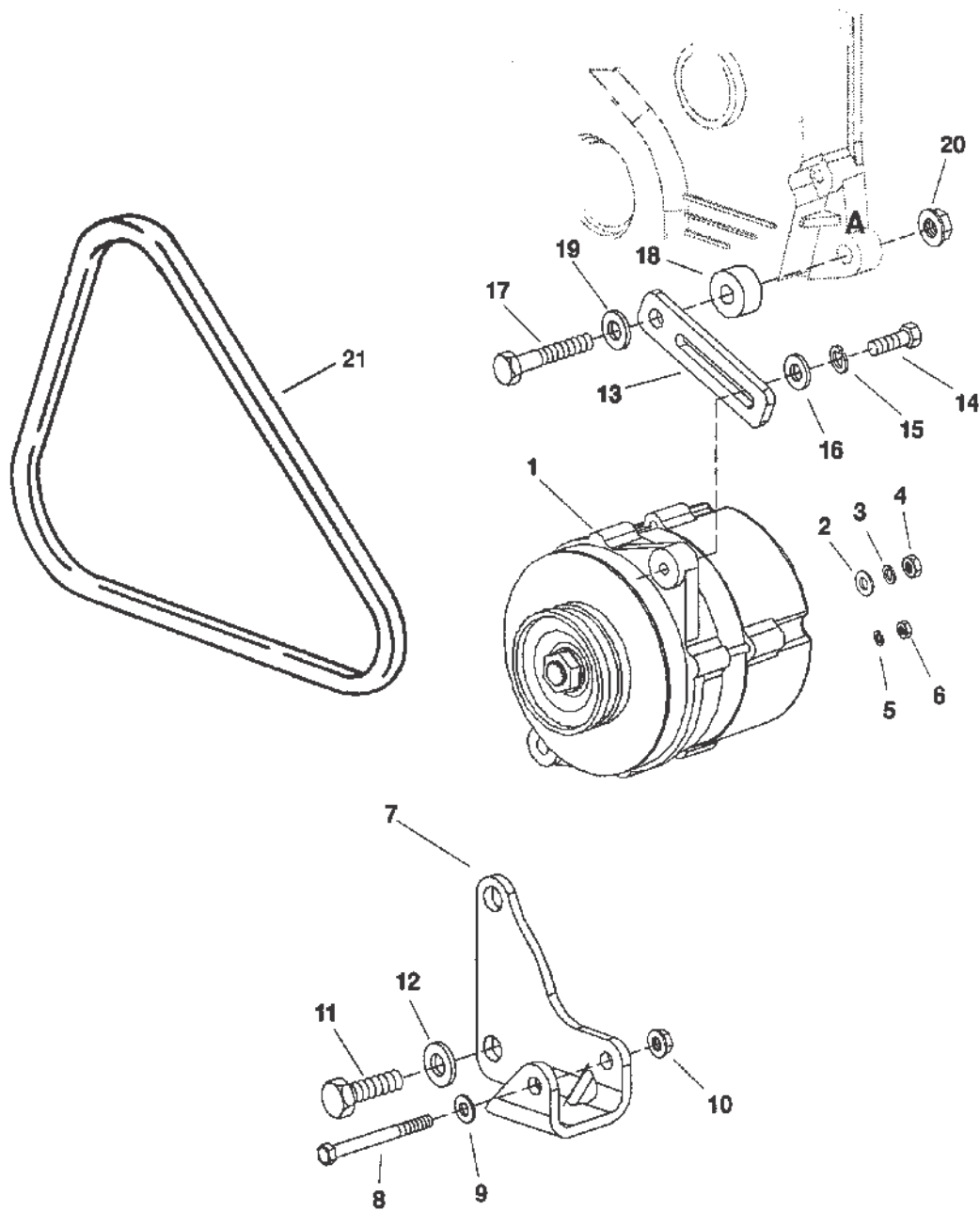
WATER PUMP

Ref #	Part Class	Part Number	Description	Comments	Qty	Note
1	0000	816829	PUMP Water		1	
2	0027	801333441	GASKET		1	[1]
3	0016	811472	STUD (M8 x 55)		2	
4	0016	811473	STUD		2	
5	0012	811474	WASHER		4	
6	0011	400213	NUT (M8) Stainless Steel		4	
-	0027	822570A1	GASKET SET Overhaul		1	

PART NOTES:

[1] - COMPONENT OF ENGINE OVERHAUL GASKET SET 822570A 1.

ALTERNATOR AND MOUNTING HARDWARE



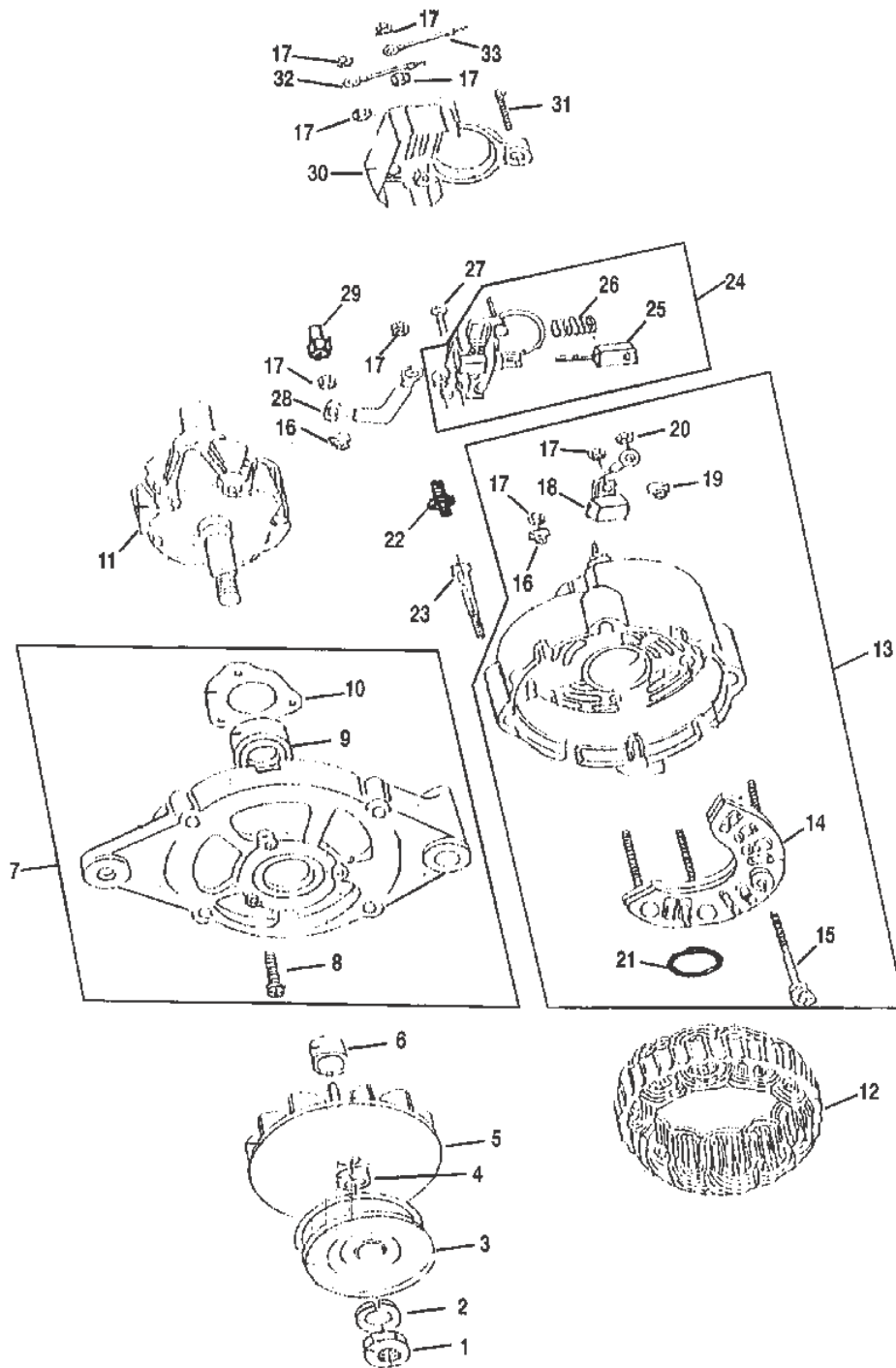
A = ENGINE

36177

ALTERNATOR AND MOUNTING HARDWARE

Ref #	Part Class	Part Number	Description	Comments	Qty	Note
1	0000	805884T	ALTERNATOR		1	
2	0012	96457	WASHER Phenolic (.27 x .81 x .062)		1	
3	0013	26992	LOCKWASHER (.250) Stainless Steel		1	
4	0011	94330	NUT (.250-20) Brass		1	
5	0013	26996	LOCKWASHER (#10) Stainless Steel		2	
6	0011	79989	NUT (#10-24) Stainless Steel		2	
7	0000	806979T	BRACKET		1	
8	0010	68299	SCREW (.375-16 x 3.00) Stainless Steel		1	
9	0012	4002320	WASHER		1	
10	0011	68411	NUT (.375-16)		1	
11	0010	40001309	SCREW (M14 x 30)		2	
12	0013	4002510	LOCKWASHER (M14)		2	
13	0000	806980T	BRACE		1	
14	0010	35386	SCREW (.312-18 x 1.00)		1	
15	0013	53166	LOCKWASHER (.312)		1	
16	0012	814806	WASHER (.344 x .688 x .065) Stainless Steel		1	
17	0010	4000382	SCREW (M10 x 60)		1	
18	0023	807030	SPACER		1	
19	0012	4002320	WASHER		1	
20	0011	400266	NUT (M10)		1	
21	0057	64032A1	V BELT		1	

Alternator (Mando)



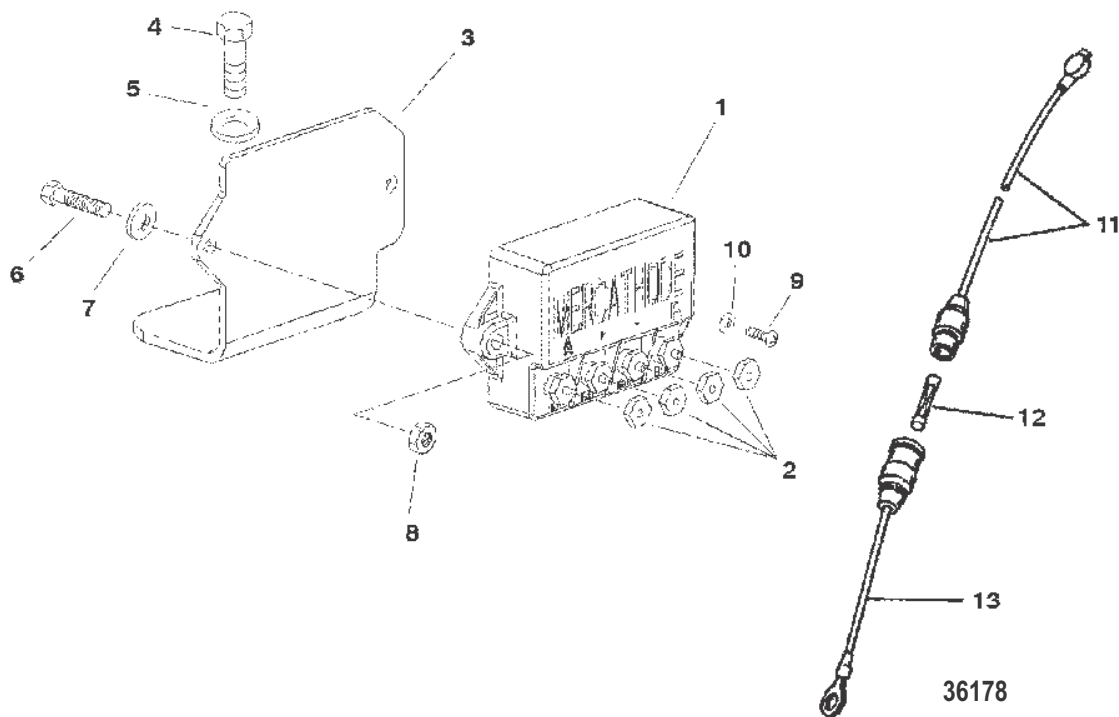
14204

Alternator (Mando)

Ref #	Part Class	Part Number	Description	Comments	Qty	Note
-	0000	805884T	ALTERNATOR		1	
1	0011	809136	NUT		1	
2	0013	809137	LOCKWASHER		1	
3	0000	809134	PULLEY		1	
4	0023	809135	SPACER		1	
5	0000	809139	FAN ASSEMBLY		1	
6	0023	809140	SPACER		1	
7	0000	809151	BRACKET ASSEMBLY		1	
8	0010	809154	SCREW		3	
9	0030	809153	BEARING		1	
10	0000	809152	RETAINER		1	
11	0000	809150	ROTOR		1	
12	0000	809133	STATOR		1	
13	0000	809155	BRACKET ASSEMBLY		1	
14	0000	809162	RECTIFIER		1	
15	0010	809160	SET SCREW		1	
16	0000	809146	MOLD		2	
17	0011	809143	NUT		8	
18	0000	809161	CONDENSER		1	
19	0000	809158	MOLD		1	
20	0011	809157	NUT		1	
21	0025	809156	O-RING		1	
22	0010	809159	BOLT		1	
23	0010	809138	BOLT		4	
24	0000	809163	REGULATOR ASSEMBLY		1	
25	0000	809164	BRUSH		2	
26	0024	809165	SPRING		2	
27	0010	809141	SCREW		2	
28	0000	809142	TERMINAL		1	
29	0000	809149	CAP		2	
30	0000	809144	COVER		1	
31	0010	809145	SET SCREW		1	
32	0084	809148	LEAD WIRE		1	
33	0084	809147	LEAD WIRE		1	

Alternator (Mando)

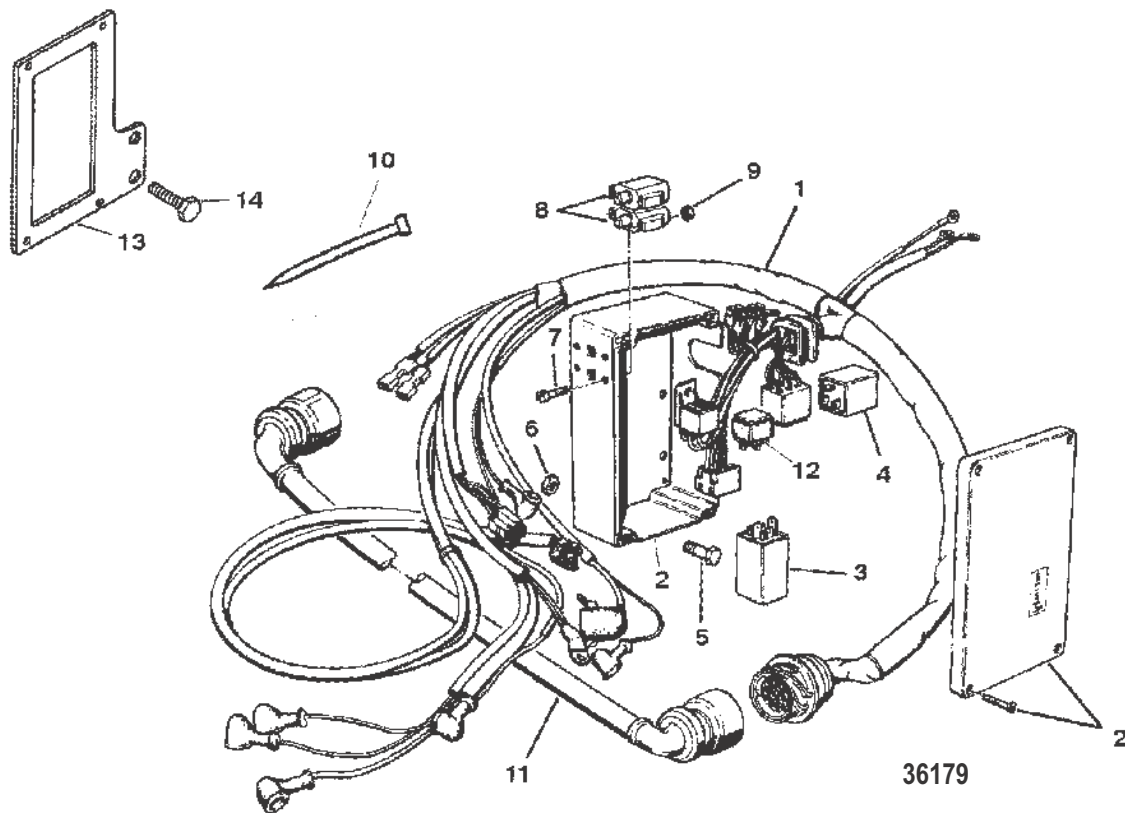
MERCATHODE (STERN DRIVE)



MERCATHODE (STERN DRIVE)

Ref #	Part Class	Part Number	Description	Comments	Qty	Note
1	0000	42600A3	CONTROLLER ASSEMBLY		1	
2	0011	68219	NUT (#10-32) Stainless Steel		4	
3	0000	807286T	BRACKET		1	
4	0010	809913815	SCREW (M10 X 16)		1	
5	0012	4002220	WASHER		1	
6	0010	4000116	SCREW (M5 x 20)		2	
7	0012	809931036	WASHER		2	
8	0011	809922038	NUT (M5)		2	
9	0010	62568	SCREW (#10-16 x .375)		1	
10	0012	30164	WASHER (.192 x .375 x .0312) Stainless Steel		1	
11	0084	95084A9	CABLE ASSEMBLY (91.00 Inches) Red/Purple Strip		1	
12	0088	79091	FUSE 20 Ampere		1	
13	0084	95084A10	CABLE ASSEMBLY (5.00 Inches) Red		1	

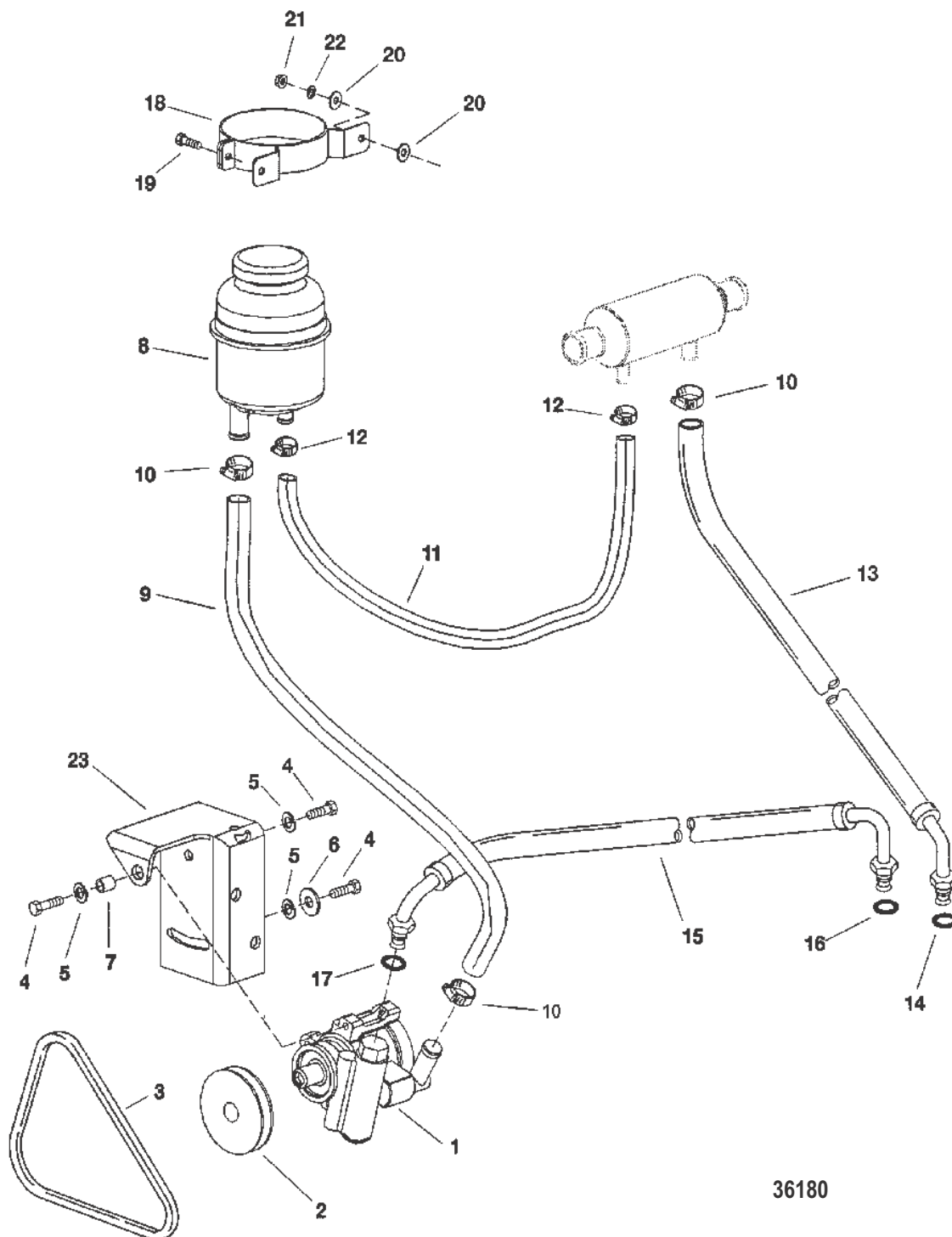
ENGINE HARNESS



ENGINE HARNESS

Ref #	Part Class	Part Number	Description	Comments	Qty	Note
1	0084	806389A2	HARNESS ASSEMBLY Engine		1	
2	0000	801334495	BOX ASSEMBLY Electrical Components		1	
3	0000	801334306	RELAY Preheating		1	
4	0000	801334299	RELAY Power		1	
5	0010	809907688	SCREW (M4 x 12) (M4 X 12)		3	
5	0010	4005688	SCREW (M4 x 20)		1	
6	0011	809922404	NUT		4	
7	0010	809907583	SCREW		4	
8	0088	801329978	BREAKER Circuit		2	
9	0011	809922028	NUT		4	
10	0054	816311	TIE STRAP (8.00 Inches)		5	
11	0084	812441A20	HARNESS ASSEMBLY (20 Feet)		1	
12	0087	821173	RELAY Starting		1	
NS	0000	821509	RELAY DELAY (AUDIO WARNING)		1	
13	0000	805176T	BRACKET		1	
14	0010	809913815	SCREW		2	

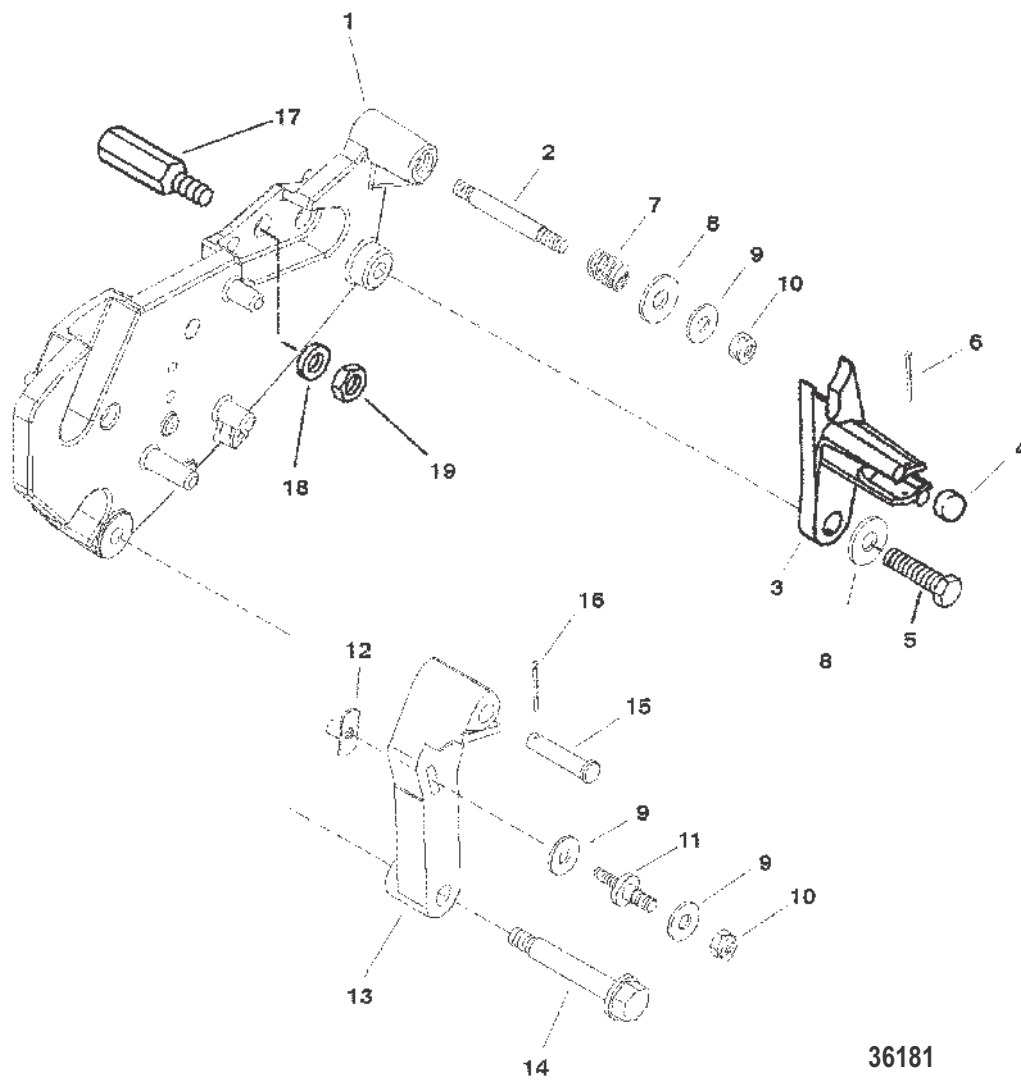
POWER STEERING COMPONENTS



POWER STEERING COMPONENTS

Ref #	Part Class	Part Number	Description	Comments	Qty	Note
1	0000	18825A2	PUMP ASSEMBLY		1	
2	0000	801763349	PULLEY		1	
3	0057	816177	V BELT		1	
4	0010	809913657	SCREW (M8 x 25)		3	
5	0013	400247	LOCKWASHER (M8)		3	
6	0012	4002318	WASHER		1	
7	0023	12009	BUSHING (.31 x .45 x .50)		1	
8	0000	801124680	TANK Power Steering Oil Reservoir		1	
9	0032	816689260	HOSE		1	
10	0054	801326638	CLAMP		3	
11	0032	807935	HOSE		1	
12	0054	809952104	CLAMP		2	
13	0032	80622142	HOSE ASSEMBLY (84.00 Inches Bulk) Return		1	
14	0025	89879	O-RING (.301 x .064)		1	
15	0032	80622216	HOSE		1	
16	0025	89879	O-RING (.301 x .064)		1	
17	0025	806232	O-RING (.239 x .064)		1	
18	0000	807934	SUPPORT		1	
19	0010	809913466	SCREW (M6 x 16)		1	
20	0012	809931044	WASHER		4	
21	0011	400213	NUT (M8) Stainless Steel		2	
22	0013	811460	LOCKWASHER		2	
23	0000	816340	BRACKET		1	

SHIFT BRACKET

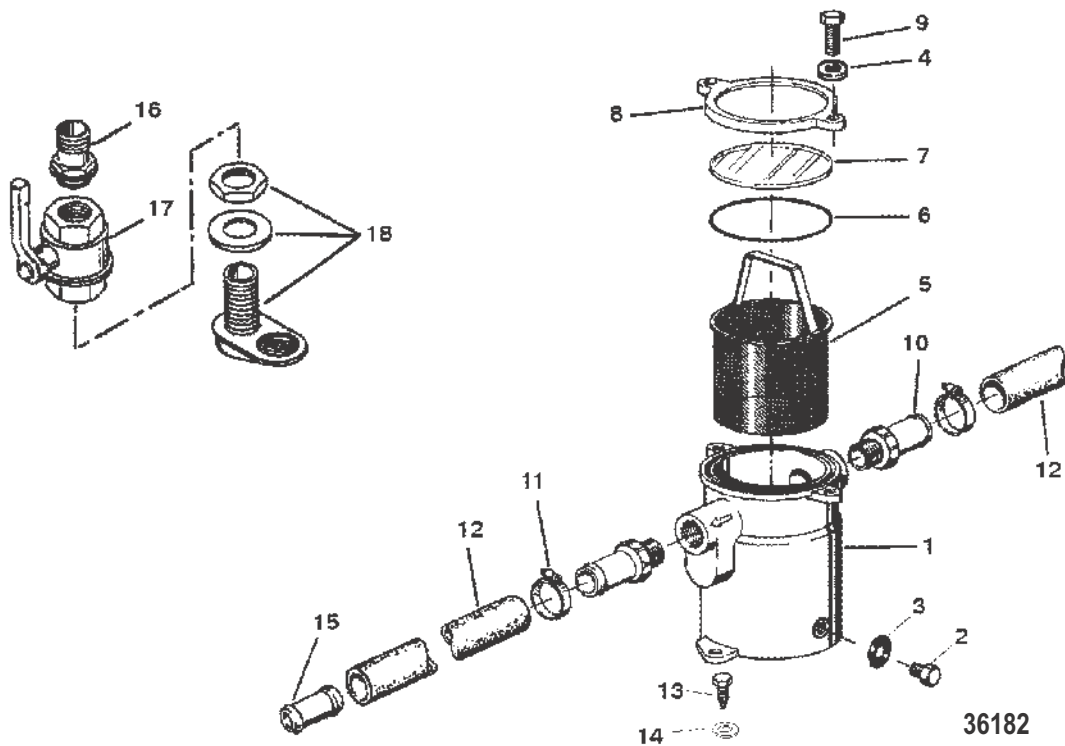


36181

SHIFT BRACKET

Ref #	Part Class	Part Number	Description	Comments	Qty	Note
1	0000	807962A3	BRACKET ASSEMBLY Shift		1	
2	0016	987981	STUD (.250-20/.250-28 x 2.120)		1	
3	0000	123811	RETAINER		1	
4	0023	98828	SPACER		1	
5	0010	53167	SCREW (.312-18 x .880)		1	
6	0018	32857	COTTER PIN		1	
7	0024	98880	SPRING		1	
8	0012	56720	WASHER (.330 x .750 x .060) Stainless Steel		2	
9	0012	35462	WASHER (.2656 x .625 x .0625) Stainless Steel		4	
10	0011	13438	NUT (.250-28)		2	
11	0016	96112	STUD (.250-28 x 2.00) Throttle Cable Anchor		1	
12	0011	63341	TEE NUT		1	
13	0000	138981	LEVER		1	
14	0010	13743	SCREW (.312-18 x 1.843)		1	
15	0017	68402	PIN (.250 x 1.13)		1	
16	0018	21071	COTTER PIN		1	
17	0000	805324	STUD Extension		2	
18	0013	811460	LOCKWASHER (M8)		2	
19	0011	400213	NUT (M8) Stainless Steel		2	

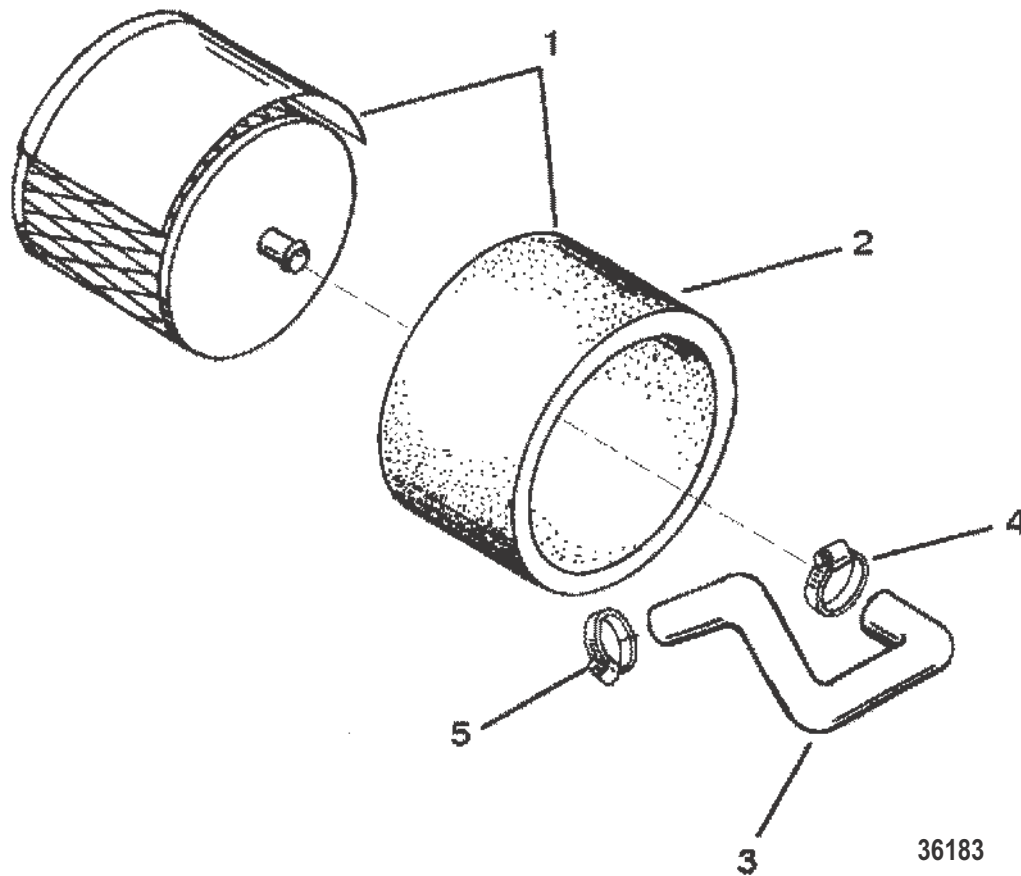
SEAWATER FILTER



SEAWATER FILTER

Ref #	Part Class	Part Number	Description	Comments	Qty	Note
1	0035	816171	FILTER		1	
2	0010	801763853	PLUG		1	
3	0012	809963201	WASHER		1	
4	0013	809930840	LOCKWASHER		2	
5	0000	801763855	ELEMENT		1	
6	0025	801763856	O-RING		1	
7	0000	801763857	WINDOW		1	
8	0000	801763858	COVER		1	
9	0010	801763859	SCREW		2	
10	0022	816339	NOZZLE		2	
11	0054	815504228	CLAMP Worm Gear		4	
12	0032	816172	HOSE		2	
13	0010	85181	BOLT		2	
14	0012	4002316	WASHER (6.60 X 17.0 X 1.5SS)		2	
15	0032	806291	REDUCER		1	
16	0022	818172	CONNECTOR		1	
17	0020	818171	VALVE		1	
18	0022	818170	STAINER		1	

AIR CLEANER



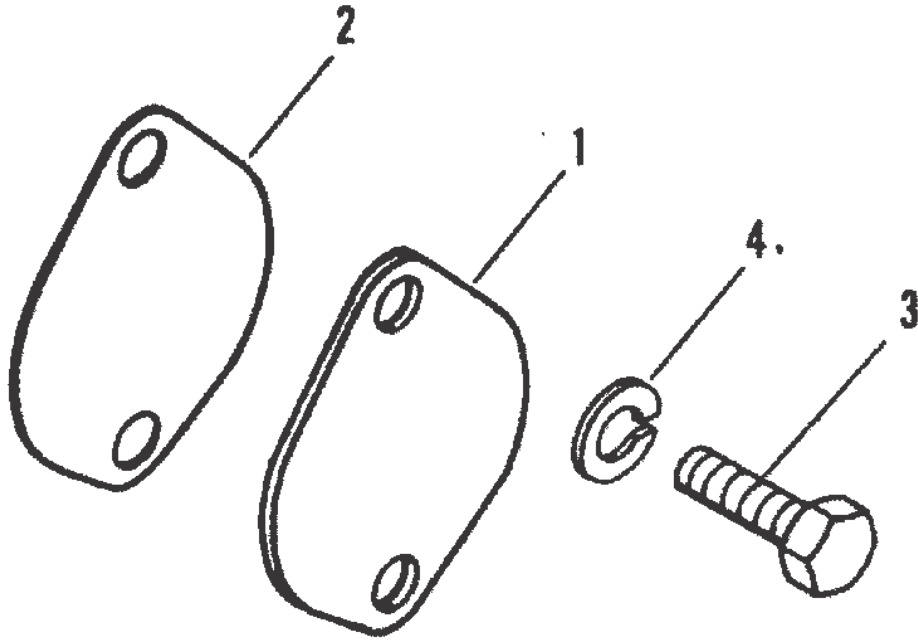
Cat.# 90-854222

AIR CLEANER

Ref #	Part Class	Part Number	Description	Comments	Qty	Note
1	0000	805114A2	CLEANER ASSEMBLY Air		1	
2	0035	805311	ELEMENT		1	
3	0032	805323	VENT TUBE		1	
4	0054	801326638	CLAMP (SMALL)		1	
5	0054	809952111	CLAMP (LARGE)		1	

AIR CLEANER

Gimbal Housing Cover



14211

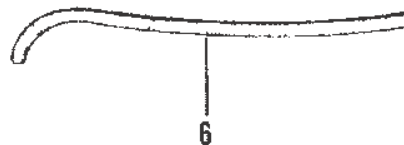
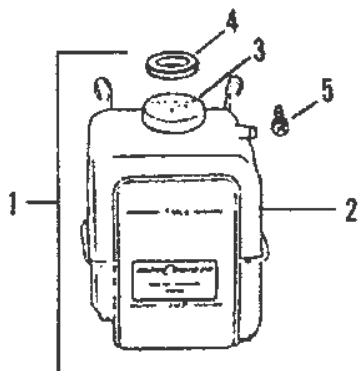
Cat.# 90-854222

Gimbal Housing Cover

Ref #	Part Class	Part Number	Description	Comments	Qty	Note
1	0000	818304	COVER		1	
2	0027	818305	GASKET		1	
3	0010	28636	SCREW (.250-20 x .750)		2	
4	0013	36992	LOCKWASHER (.250)		2	

Gimbal Housing Cover

Coolant Recovery



14218

Cat.# 90-854222

Coolant Recovery

Ref #	Part Class	Part Number	Description	Comments	Qty	Note
1	0000	71587A10	RECOVERY KIT Coolant		1	
2	0000	71587A11	BOTTLE Plastic		1	
3	0000	72058	CAP		1	
4	0027	71614	GASKET		1	
5	0010	85181	BOLT		2	
6	0032	1983389	HOSE		1	

Coolant Recovery

INSTRUMENTATION

INSTRUMENTATION

Ref #	Part Class	Part Number	Description	Comments	Qty	Note
-	0000	806385T	PANEL Primary Station Monitor		1	
-	0087	805678	KEY SWITCH		1	
-	0087	805675A1	TOGGLE SWITCH		1	
-	0087	805676A1	SWITCH		1	
-	0079	817033A1	TRIM GAUGE KIT		1	
-	0079	817032A1	BATTERY GAUGE KIT		1	
-	0079	805288A1	GAUGE KIT Water Temperature		1	
-	0079	805287A1	OIL PRESSURE GAUGE KIT		1	
-	0079	805289A1	TACHOMETER GAUGE KIT		1	
-	0079	818163A1	CRUISELOG GAUGE KIT		1	
-	0000	817315	BEZEL		1	
-	0000	817311	BEZEL (TACHOMETER)		1	
-	0000	817309	BRACKET		1	
-	0000	817308	BRACKET (TACHOMETER)		1	
-	0011	26419	NUT (#8-32) Brass		6	
-	0084	806391A2	HARNESS ASSEMBLY Instrument Extension (3 FT.)		1	
-	0084	17829A20	HARNESS ASSEMBLY Extension - Remote Control (20 Feet) (20 FT.)		1	
-	0000	816492A1	ALARM ASSEMBLY Audio Warning		1	

PARTS INDEX

Part No.	Description	Pg.	Ref.no	Part No.	Description	Pg.	Ref.no
12009	BUSHING (.31 x .45 x .50)	60	7	123811	RETAINER	62	3
13438	NUT (.250-28)	62	10	13743	SCREW (.312-18 x 1.843)	62	14
138981	LEVER	62	13	16826	WASHER Stainless Steel	42	25
17829A20	HARNES ASSEMBLY Extension - Remote Control (20 Feet) (20 FT.)	72	-	18718A7	HOUSING ASSEMBLY	24	15
18825A2	PUMP ASSEMBLY	60	1	18904	CLIP	42	31
192242	COVER	6	7	1940971	HOSE (54.00 Inches Bulk)	46	15
19485	FILTER	38	1	1983389	HOSE	70	6
21071	COTTER PIN	62	16	24664	WASHER (M4 x 20)	32	29
24664	WASHER (M4 x 20)	32	32	26419	NUT (#8-32) Brass	72	-
26992	LOCKWASHER (.250) Stainless Steel	52	3	26996	LOCKWASHER (#10) Stainless Steel	52	5
28636	SCREW (.250-20 x .750)	68	3	30164	WASHER (.192 x .375 x .0312) Stainless Steel	56	10
32857	COTTER PIN	62	6	35386	SCREW (.312-18 x 1.00)	52	14
35462	WASHER (.2656 x .625 x .0625) Stainless Steel	62	9	35888	NUT (.250-28) Stainless Steel	32	30
35888	NUT (.250-28) Stainless Steel	32	33	36382	FITTING (.250-18 x .62) Brass	28	10
36382	FITTING (.250-18 x .62) Brass	40	12	36992	LOCKWASHER (.250)	68	4
38525	STUD	32	28	40001134	SCREW (M8 x 25)	24	27
4000116	SCREW (M5 x 20)	56	6	40001192	SCREW (M10 x 25)	24	7
40001192	SCREW (M10 x 25)	24	25	40001206	SCREW (M10 x 50)	24	18
40001209	SCREW (M10 x 60)	4	22	40001309	SCREW (M14 x 30)	52	11
4000338	SCREW (M6 x 78)	42	23	4000351	SCREW (M8 x 16)	4	13
4000359	SCREW (M8 x 60)	42	16	4000363	SCREW (M8 x 100)	42	17
4000374	SCREW (M10 x 16)	4	15	4000382	SCREW (M10 x 60)	52	17
400213	NUT (M8) Stainless Steel	16	21	400213	NUT (M8) Stainless Steel	24	5
400213	NUT (M8) Stainless Steel	28	24	400213	NUT (M8) Stainless Steel	36	3
400213	NUT (M8) Stainless Steel	42	32	400213	NUT (M8) Stainless Steel	44	17
400213	NUT (M8) Stainless Steel	50	6	400213	NUT (M8) Stainless Steel	60	21
400213	NUT (M8) Stainless Steel	62	19	4002217	WASHER	6	17
4002217	WASHER	16	19	4002217	WASHER	18	7
4002217	WASHER	24	3	4002220	WASHER	56	5
4002316	WASHER (6.60 X 17.0 X 1.5SS)	64	14	4002318	WASHER	60	6
4002320	WASHER	52	9	4002320	WASHER	52	19
400247	LOCKWASHER (M8)	24	28	400247	LOCKWASHER (M8)	60	5
400248	LOCKWASHER (M10)	24	8	400248	LOCKWASHER (M10)	24	26
400248	LOCKWASHER (M10)	42	14	4002510	LOCKWASHER (M14)	52	12
400256	LOCKWASHER (M6)	42	24	400258	LOCKWASHER (M10) Stainless Steel (M10)	4	16
400266	NUT (M10)	40	24	400266	NUT (M10)	52	20
4005688	SCREW (M4 x 20)	58	5	41471	LOCKWASHER (.375)	28	41
42600A3	CONTROLLER ASSEMBLY	56	1	48872	FITTING 45 Degree Elbow	38	22
53166	LOCKWASHER (.312)	52	15	53167	SCREW (.312-18 x .880)	62	5
56720	WASHER (.330 x .750 x .060) Stainless Steel	62	8	58640	SCREW (.375-16 x 1.25)	28	40
62568	SCREW (#10-16 x .375)	56	9	62826A6	CABLE ASSEMBLY Ground (13.00 Inches) Black	24	21
63341	TEE NUT	62	12	63825	ELBOW	38	20
64032A1	V BELT	52	21	68219	NUT (#10-32) Stainless Steel	56	2
68299	SCREW (.375-16 x 3.00) Stainless Steel	52	8	68402	PIN (.250 x 1.13)	62	15
68411	NUT (.375-16)	52	10	71587A10	RECOVERY KIT Coolant	70	1
71587A11	BOTTLE Plastic	70	2	71614	GASKET	70	4
72058	CAP	70	3	74036	FITTING Grease	24	24
79091	FUSE 20 Ampere	56	12	79989	NUT (#10-24) Stainless Steel	52	6
801117181	BOLT Banjo	6	20	801117181	BOLT Banjo	22	18
801117181	BOLT Banjo (M14)	40	9	801124680	TANK Power Steering Oil Reservoir	60	8
801256320	BUSHING	32	22	801263264	BOLT Banjo	46	12
801269852	BOLT Banjo	36	20	801285638	SEPARATOR Oil	6	15
801285797	O-RING	6	14	801326638	CLAMP	60	10
801326638	CLAMP (SMALL)	66	4	801329200	SCREW	32	43
801329259	BOLT Banjo	8	14	801329978	BREAKER Circuit	58	8
801331137	FITTING	38	19	801331187	GASKET SET Turbocharger	28	-
801331204	GASKET	46	5	801331212	PIN	18	3
801331219	O-RING	40	19	801331225	KEY	32	8
801331226	INJECTION NOZZLE	36	1	801331233	BOLT Banjo	36	27
801331234	WASHER	36	2	801331235	SPACER	36	6

PARTS INDEX

Part No.	Description	Pg.	Ref.no	Part No.	Description	Pg.	Ref.no
801331236	CLAMP Injection Nozzle Hold Down	36	5	801331238	CLAMP	36	16
801331239	CLAMP	36	17	801331240	RETURN PIPE	36	26
801331242	PRESSURE PIPE (CYLINDER #1)	36	8	801331243	PRESSURE PIPE (CYLINDER #2)	36	9
801331244	PRESSURE PIPE (CYLINDER #3)	36	10	801331245	PRESSURE PIPE (CYLINDER #4)	36	11
801331246	PRESSURE PIPE (CYLINDER #5)	36	12	801331247	PRESSURE PIPE (CYLINDER #6)	36	13
801331248	CLAMP	36	14	801331249	CLAMP	36	15
801331553	TOOL KIT	2	-	801331600	CYLINDER BLOCK	4	1
801331602	PLUG Expansion	4	2	801331604	SCREW	4	4
801331605	LINER Cylinder (92.00 MM/92.01 MM)	14	1	801331607	SHIM (15 mm)	14	2
801331608	SHIM (20 mm)	14	2	801331613	GASKET Oil Pan	22	2
801331616	GASKET	18	2	801331619	O-RING	24	6
801331625	CRANKSHAFT	16	1	801331626	LINER Cylinder (92.01 MM/92.02 MM)	14	1
801331631	BEARING Standard	16	6	801331632	BEARING (25 mm)	16	6
801331633	BEARING (50 mm)	16	6	801331635	BEARING (STANDARD)	16	8
801331636	BEARING (.25MM)	16	8	801331637	BEARING (.50MM)	16	8
801331639	THRUST WASHER (STANDARD)	16	7	801331640	THRUST WASHER (.10MM)	16	7
801331641	THRUST WASHER (.20MM)	16	7	801331642	KEY	16	2
801331643	GEAR Crankshaft	16	4	801331647	PIN	16	10
801331650	SCREW Locating	4	5	801331654	O-RING	16	16
801331659	GUIDE Valve	10	8	801331662	STUD	10	13
801331664	EXPANSION PLUG	10	2	801331666	STUD	10	19
801331670	SPACER	10	26	801331671	BRIDGE	10	20
801331673	BRIDGE	10	21	801331674	BRIDGE	10	22
801331684	FITTING Drain	4	7	801331684	FITTING Drain	26	13
801331689	CAP Oil Fill	6	9	801331690	O-RING	6	8
801331695	HOUSING Flywheel	24	1	801331697	SPACER Flywheel	24	11
801331698	SCREW (M4 x 10)	24	12	801331699	FLYWHEEL	24	9
801331701	RING GEAR	24	10	801331702	BEARING Ball	24	14
801331706	O-RING	18	10	801331712	BUSHING	14	5
801331713	BOLT	14	6	801331715	BEARING Standard	14	7
801331716	BEARING (25 mm)	14	7	801331717	BEARING (50 mm)	14	7
801331720	RING Piston	14	11	801331725	RING	14	10
801331731	BUSHING	12	3	801331733	PLATE Cam Guide	12	4
801331735	KEY	12	2	801331736	GEAR Camshaft	12	7
801331737	LIFTER	8	9	801331738	PUSH ROD	8	10
801331739	ROCKER ARM ASSEMBLY	8	1	801331740	SUPPORT	8	6
801331741	ROCKER ARM	8	7	801331742	ROCKER ARM	8	4
801331745	BUSHING	8	8	801331746	SCREW Adjusting	8	11
801331748	PIN Centering	8	3	801331749	NUT	8	5
801331752	PLATE Spring	10	9	801331754	CAP Spring	10	11
801331755	KEEPER	10	12	801331756	NUT	32	7
801332601	WEAR PLATE	44	7	801332604	SCREW	44	12
801332606	GASKET	44	4	801332607	COVER	44	3
801332608	SCREW	44	2	801333400	BASE PLATE ASSEMBLY	12	12
801333402	AXLE Rear	12	16	801333414	ELBOW Oil Suction	22	9
801333415	O-RING	22	8	801333416	O-RING	22	10
801333424	CLIP	8	16	801333425	DIPSTICK TUBE	22	16
801333441	GASKET	50	2	801333448	STUD (M8 x 140)	26	3
801333449	GASKET	26	2	801333451	STUD (M8 x 90)	26	3
801333453	STUD (M10 x 30)	28	3	801333454	GASKET	28	2
801333457	CLAMP	28	30	801333459	GASKET	28	20
801333462	GASKET	28	32	801333464	FITTING	28	18
801333472	GASKET	26	18	801333850	O-RING	44	15
801333856	ROD KIT Link	32	14	801333863	BRACKET Rocker Arm	8	2
801333864	BUSHING (25 mm)	12	3	801333865	DIAPHRAGM	40	17
801333870	STUD	32	4	801333871	WASHER	32	5
801333873	CONNECTOR	32	42	801333874	SCREW Banjo (M10)	32	35
801333875	STUD	10	5	801333875	STUD	36	7
801333980	STARTER MOTOR ASSEMBLY	48	1	801334299	RELAY Power	58	4
801334306	RELAY Preheating	58	3	801334377	ARMATURE	48	4
801334378	BRUSH SET	48	5	801334379	PARTS SET ARMATURE	48	3

PARTS INDEX

Part No.	Description	Pg.	Ref.no	Part No.	Description	Pg.	Ref.no
801334380	RELAY	48	2	801334495	BOX ASSEMBLY Electrical Components	58	2
801761083	GASKET	26	17	801761163	CONNECTOR Return	36	23
801761165	BOLT Banjo (M8 x 1.00)	36	24	801761166	SCREW	36	18
801761168	O-RING	32	12	801761360	COVER Front	20	4
801761367	RADIATOR INSERT	20	3	801761382	BRACKET	4	21
801761617	SCREW	4	25	801761674	BEARING Angle	32	18
801761757	SUPPORT	32	41	801761758	CLAMP	32	37
801761847	SCREW	32	27	801763219	CLAMP	28	43
801763272	CLAMP	28	5	801763304	PIN Support	4	27
801763349	PULLEY	60	2	801763353	BOLT Banjo	28	37
801763362	SHIM (23 mm)	14	2	801763377	PLUG	10	6
801763381	GASKET SET Cylinder Head	6	-	801763381	GASKET SET Cylinder Head	8	-
801763381	GASKET SET Cylinder Head	10	-	801763381	GASKET SET Cylinder Head	26	-
801763381	GASKET SET Cylinder Head	36	-	801763381	GASKET SET Cylinder Head	46	-
801763388	CONNECTOR	4	9	801763389	FITTING	28	34
801763391	PISTON	14	8	801763393	PIN Piston	14	9
801763438	MANIFOLD Exhaust	26	1	801763439	WELCH PLUG	26	14
801763441	ANGLE Support	32	26	801763443	STUD (M8 X 16)	26	15
801763445	SCREW	26	11	801763448	NUT (M10)	28	4
801763449	BRACKET Turbo Support	28	25	801763450	HOUSING	28	21
801763451	STUD (M8 x 70)	28	22	801763455	PIPE Oil	28	31
801763456	PIPE Oil	28	17	801763457	COOLER Air	20	1
801763459	SCREW	20	10	801763461	O-RING	20	2
801763461	O-RING	20	8	801763463	COVER Rear	20	9
801763464	PLUG Glow	10	29	801763467	TUBE Boost Pressure	32	34
801763472	GASKET	26	7	801763525	LEVER	32	21
801763585	VALVE Fuel Shut Off	32	11	801763598	BRACKET	40	1
801763600	DIPSTICK	22	15	801763601	TUBE Oil Suction	22	7
801763618	LEVER	32	2	801763630	COVER	26	6
801763657	PARTS KIT On Board Spare	2	-	801763701	TURBO CHARGER	28	1
801763765	SEAL Rocker Cover	6	5	801763766	ROCKER COVER (FRONT)	6	6
801763767	BAFFLE	6	2	801763769	CONNECTOR	6	13
801763770	O-RING	6	12	801763773	NUT	6	10
801763779	O-RING	6	11	801763790	ROCKER COVER (REAR)	6	1
801763839	PAN Oil	22	1	801763843	FITTING	36	22
801763843	FITTING	40	25	801763853	PLUG	64	2
801763855	ELEMENT	64	5	801763856	O-RING	64	6
801763857	WINDOW	64	7	801763858	COVER	64	8
801763859	SCREW	64	9	801763908	STUD (M16 x 125)	4	20
801763916	MOUNT	4	17	801765017	GASKET	32	3
805013T	PIPE Exhaust	28	39	805017	HOSE	44	18
805114A2	CLEANER ASSEMBLY Air	66	1	805176T	BRACKET	58	13
805266T	PLATE	28	14	805267	SENDER	4	12
805268	SENDER	4	12	805287A1	OIL PRESSURE GAUGE KIT	72	-
805288A1	GAUGE KIT Water Temperature	72	-	805289A1	TACHOMETER GAUGE KIT	72	-
805311	ELEMENT	66	2	805315	CONNECTOR	28	16
805323	VENT TUBE	66	3	805324	STUD Extension	62	17
805602A2	ELBOW Exhaust	28	9	805675A1	TOGGLE SWITCH	72	-
805676A1	SWITCH	72	-	805678	KEY SWITCH	72	-
805681	HOUSING	42	15	805682	COVER Thermostat Housing	42	22
805684A2	COUPLING	24	23	805723	GASKET	42	19
8057292	DECAL (3.6L)	42	35	805732	O-RING (2.612 x .103)	38	5
805739	HOSE	42	27	805740	HOSE	42	8
805741	HOSE	42	4	805743	HOSE	42	6
805744	HOSE	42	26	805884T	ALTERNATOR	52	1
805884T	ALTERNATOR	54	-	805943A1	BRACKET	42	10
805947	THERMOSTAT 71°C (160°F)	42	20	805948	THERMOSTAT 82°C (180°F)	42	21
806000	ANODE	42	-	806002A1	END CAP ASSEMBLY	42	-
8060832	FITTING Banjo	28	36	8060833	FITTING Banjo	46	14
80622142	HOSE ASSEMBLY (84.00 Inches Bulk) Return	60	13	80622216	HOSE	60	15
806227	ADAPTOR PLATE	24	22	806232	O-RING (.239 x .064)	60	17

PARTS INDEX

Part No.	Description	Pg.	Ref.no	Part No.	Description	Pg.	Ref.no
806291	REDUCER	64	15	806380	FITTING	38	16
806385T	PANEL Primary Station Monitor	72	-	806389A2	HARNES ASSEMBLY Engine	58	1
806391A2	HARNES ASSEMBLY Instrument Extension (3 FT.)	72	-	806443	ADAPTER	4	11
806548440	HOSE	42	29	806553	SENDER Tachometer	24	20
806680	CYLINDER HEAD ASSEMBLY	10	1	806685	BOLT (M14 x 149.5) Center	10	23
806686	BOLT (M12 x 94.5) Injector Side	10	24	806687	BOLT (M12 x 127.5) Manifold Side	10	25
806713	PRECHAMBER	10	14	806714	VALVE SEAT (OUTLET)	10	16
806715	VALVE SEAT (INLET)	10	15	806765	LINE Oil	8	13
806769	TUBE Water	10	28	806882	GASKET	42	-
806883	GASKET	42	-	8069481	PLUG	38	10
806979T	BRACKET	52	7	806980T	BRACE	52	13
806991	ADAPTER	10	33	807011	CAP	22	20
807030	SPACER	52	18	807044	LONG BLOCK ENGINE (INCLUDES INTERNAL PARTS AND CYLINDER HEADS)	4	-
807180T	BRACKET	40	6	807205	FITTING	38	2
807206T	ADAPTER Oil Filter	38	4	807207T	HEADER	38	18
807208	LINE Fuel	40	8	807209	LINE Fuel	40	13
807226	HOSE	22	17	807256	FILTER	40	5
807261	HEAT EXCHANGER	42	1	807286T	BRACKET	56	3
807322	HOSE	6	18	807418	HOSE Oil	38	12
807419	HOSE Oil	38	13	807420	HOSE Oil	38	14
807421	HOSE Oil	38	15	807780	FITTING	38	17
807781	FITTING	40	7	807934	SUPPORT	60	18
807935	HOSE	60	11	807962A3	BRACKET ASSEMBLY Shift	62	1
808108	CAP	42	2	808629	CONNECTING ROD ASSEMBLY	14	4
808715	REPAIR KIT	28	-	809133	STATOR	54	12
809134	PULLEY	54	3	809135	SPACER	54	4
809136	NUT	54	1	809137	LOCKWASHER	54	2
809138	BOLT	54	23	809139	FAN ASSEMBLY	54	5
809140	SPACER	54	6	809141	SCREW	54	27
809142	TERMINAL	54	28	809143	NUT	54	17
809144	COVER	54	30	809145	SET SCREW	54	31
809146	MOLD	54	16	809147	LEAD WIRE	54	33
809148	LEAD WIRE	54	32	809149	CAP	54	29
809150	ROTOR	54	11	809151	BRACKET ASSEMBLY	54	7
809152	RETAINER	54	10	809153	BEARING	54	9
809154	SCREW	54	8	809155	BRACKET ASSEMBLY	54	13
809156	O-RING	54	21	809157	NUT	54	20
809158	MOLD	54	19	809159	BOLT	54	22
809160	SET SCREW	54	15	809161	CONDENSER	54	18
809162	RECTIFIER	54	14	809163	REGULATOR ASSEMBLY	54	24
809164	BRUSH	54	25	809165	SPRING	54	26
809589	STRAP Connecting	10	32	809590	VIBRATION DAMPER	18	12
809907583	SCREW	58	7	809907688	SCREW (M4 x 12) (M4 X 12)	58	5
809908402	STUD	24	2	809912516	SCREW (M8 x 50)	4	24
809912516	SCREW (M8 x 50)	20	15	809912529	SCREW	6	16
809912535	SCREW	28	26	809913218	SCREW (M5 x 10)	8	17
809913218	SCREW (M5 x 10)	32	38	809913466	SCREW (M6 x 16)	22	5
809913466	SCREW (M6 x 16)	22	11	809913466	SCREW (M6 x 16)	22	13
809913466	SCREW (M6 x 16)	32	19	809913466	SCREW (M6 x 16)	60	19
809913624	SCREW	28	12	809913644	SCREW	28	33
809913657	SCREW (M8 x 25)	60	4	809913662	SCREW	20	13
809913689	SCREW	18	6	809913815	SCREW (M10 X 16)	56	4
809913815	SCREW	58	14	809913843	BOLT	40	22
809913843	BOLT	42	13	809913859	SCREW (M10 X 50)	4	22
809917409	BOLT Banjo	40	14	809919114	PLUG	26	19
809919131	SCREW (M22 x 1.5)	22	3	809919131	SCREW (M22 x 1.5)	42	33
809919217	SCREW	20	11	809919669	SCREW	28	27
809919669	SCREW (M10 X 35)	40	2	809919669	SCREW (M10 X 35)	42	12
809919781	SCREW (M6 x 18)	46	3	809919926	SCREW (M6 x 25)	26	10

PARTS INDEX

Part No.	Description	Pg.	Ref.no	Part No.	Description	Pg.	Ref.no
809919935	SCREW (M8 x 18)	12	10	809919935	SCREW (M8 x 18)	12	14
809919940	SCREW (M8 x 18)	12	5	809919961	SCREW	26	8
809919967	SCREW	20	16	809921038	NUT	10	31
809921102	NUT (M16)	4	19	809922028	NUT	58	9
809922038	NUT	32	13	809922038	NUT	32	40
809922038	NUT (M5)	56	8	809922113	NUT (M10)	40	4
809922133	NUT (M12)	32	10	809922133	NUT	48	7
809922404	NUT	58	6	809922410	NUT	28	7
809922410	NUT	32	17	809930840	LOCKWASHER	28	13
809930840	LOCKWASHER	32	6	809930840	LOCKWASHER	36	4
809930840	LOCKWASHER	64	4	809931036	WASHER	8	18
809931036	WASHER	28	6	809931036	WASHER	32	16
809931036	WASHER	56	7	809931044	WASHER	22	6
809931044	WASHER	60	20	809931076	LOCKWASHER	4	23
809931076	LOCKWASHER	24	19	809931076	LOCKWASHER	40	3
809931076	LOCKWASHER	40	23	809931094	WASHER	4	18
809931652	WASHER	32	20	809931660	WASHER	12	15
809932047	LOCKWASHER	10	30	809932047	LOCKWASHER	32	39
809932062	LOCKWASHER	46	4	809932071	LOCKWASHER	20	17
809932071	LOCKWASHER	22	12	809932071	LOCKWASHER	26	9
809932104	LOCKWASHER	28	28	809932110	LOCKWASHER	16	12
809932646	LOCKWASHER	32	24	809932852	E CLIP	32	25
809933127	LOCKWASHER	32	9	809933251	LOCKWASHER	18	15
809937241	PLUG	4	3	809937241	PLUG	10	3
809941485	PIN	16	17	809952104	CLAMP	6	19
809952104	CLAMP	46	16	809952104	CLAMP	60	12
809952111	CLAMP (LARGE)	66	5	809963034	WASHER Sealing	36	28
809963042	O-RING	8	15	809963042	O-RING	36	25
809963072	WASHER	4	10	809963072	WASHER	20	12
809963072	WASHER	28	38	809963072	WASHER	32	36
809963129	WASHER	36	19	809963129	WASHER	40	15
809963130	WASHER Sealing	46	13	809963201	WASHER	4	6
809963201	WASHER	6	21	809963201	WASHER	10	34
809963201	WASHER	22	19	809963201	WASHER	26	20
809963201	WASHER	28	35	809963201	WASHER	36	21
809963201	WASHER	40	10	809963201	WASHER	64	3
809963308	WASHER Sealing	20	7	809963342	O-RING	10	7
809963342	O-RING	38	3	809963354	WASHER	22	4
809963354	WASHER	26	12	809963354	WASHER	28	19
809963354	WASHER	42	34	809963467	SEAL	38	8
809987302	PIN	32	15	811372	LIFTING EYE	42	11
811376	BEARING Standard	16	5	811377	BEARING (25 mm)	16	5
811378	BEARING (50 mm)	16	5	811379	FLANGE ASSEMBLY	16	9
811380	FLANGE Rear	16	14	811381	NOZZLE	16	13
811382	SCREW (M10 x 90)	16	11	811383	STUD (M8 x 20)	16	18
811383	STUD (M8 x 20)	26	3	811383	STUD (M8 x 20)	40	18
811384	LOCKWASHER (M8)	12	6	811384	LOCKWASHER (M8)	16	20
811385	SEAL	16	15	811388	SPRING	10	10
811389	PLUG	10	4	811395	NUT	8	12
811397	SCREW	6	3	811398	SCREW	6	4
811400	NUT (M8)	26	5	811413	GEAR	12	13
811416	PUMP ASSEMBLY Fuel	40	16	811417	NUT	40	21
811418	LOCKWASHER	40	20	811420	COVER	18	4
811421	NUT	18	13	811422	SCREW (M6 x 35)	18	8
811423	SCREW (M10 x 45)	18	14	811424	WASHER	18	5
811425	SEAL	18	9	811428	SLEEVE	4	8
811429	RELEIF TUBE	22	14	811432	COVER	46	11
811433	ELBOW	46	6	811434	GASKET	46	2
811435	CLAMP	46	7	811436	SCREW (M6 x 80)	46	9
811437	WASHER	46	10	811449	STUD	26	3
811454	BOLT	24	13	811460	LOCKWASHER	12	11

PARTS INDEX

Part No.	Description	Pg.	Ref.no	Part No.	Description	Pg.	Ref.no
811460	LOCKWASHER	20	14	811460	LOCKWASHER	24	4
811460	LOCKWASHER (M8)	26	4	811460	LOCKWASHER (M8)	28	23
811460	LOCKWASHER	32	23	811460	LOCKWASHER (M8)	42	18
811460	LOCKWASHER	44	16	811460	LOCKWASHER	48	6
811460	LOCKWASHER	60	22	811460	LOCKWASHER (M8)	62	18
811472	STUD (M8 x 55)	50	3	811473	STUD	50	4
811474	WASHER	50	5	811487	PLUG Anode Assembly	20	5
811488	VALVE Outlet	10	18	811489	VALVE Inlet	10	17
811893A1	O-RING	14	3	812441A20	HARNESSE ASSEMBLY (20 Feet)	58	11
814079	SENDER Water Temperature	10	35	814634	CLAMP	46	17
814806	WASHER (.344 x .688 x .065) Stainless Steel	4	14	814806	WASHER (.344 x .688 x .065) Stainless Steel	52	16
815088	NUT (M8)	4	26	815088	NUT (M8)	32	44
815504220	CLAMP Worm Gear	42	5	815504228	CLAMP Worm Gear	42	9
815504228	CLAMP Worm Gear	44	19	815504228	CLAMP Worm Gear	64	11
815504232	CLAMP Worm Gear (2.50 Diameter)	42	7	815504232	CLAMP Worm Gear (2.50 Diameter)	44	21
815504240	CLAMP Worm Gear	42	28	815504388	CLAMP Worm Gear	42	3
815529	TUBE Exhaust	28	42	816000	ANODE	20	6
816162	SPRING	38	7	816163	THERMOSTAT	38	6
816171	FILTER	64	1	816172	HOSE	64	12
816173	HOSE Reducer	44	22	816174A1	HOSE	44	20
816177	V BELT	60	3	816193	GEAR Injector Pump	12	8
816248	PUMP ASSEMBLY	44	1	816311	TIE STRAP (8.00 Inches)	58	10
816339	NOZZLE	64	10	816340	BRACKET	60	23
816492A1	ALARM ASSEMBLY Audio Warning	72	-	816550	PUMP Injection	32	1
816689260	HOSE	60	9	816784	STRIP Manifold (REAR)	46	8
816785	STRIP Manifold (FRONT)	46	1	816786	COVER	18	1
816795	PUMP Oil	12	9	816798	CAMSHAFT	12	1
816813	CAM	44	6	816814	IMPELLER	44	5
816815	RING	44	8	816816	SPACER	44	9
816817	SEAL	44	10	816818	SEAL	44	11
816819	BEARING	44	13	816820	SHAFT	44	14
816829	PUMP Water	50	1	817032A1	BATTERY GAUGE KIT	72	-
817033A1	TRIM GAUGE KIT	72	-	817077	GASKET	28	11
817089	GASKET	28	8	817169	SWITCH	38	11
817308	BRACKET (TACHOMETER)	72	-	817309	BRACKET	72	-
817311	BEZEL (TACHOMETER)	72	-	817315	BEZEL	72	-
818163A1	CRUISELOG GAUGE KIT	72	-	818170	STAINER	64	18
818171	VALVE	64	17	818172	CONNECTOR	64	16
818304	COVER	68	1	818305	GASKET	68	2
8204521	FITTING	38	21	821065960	OWNERS GUIDE	2	-
821173	RELAY Starting	58	12	821509	RELAY DELAY (AUDIO WARNING)	58	NS
822570A1	GASKET SET Overhaul	4	-	822570A1	GASKET SET Overhaul	6	-
822570A1	GASKET SET Overhaul	8	-	822570A1	GASKET SET Overhaul	10	-
822570A1	GASKET SET Overhaul	14	-	822570A1	GASKET SET Overhaul	16	-
822570A1	GASKET SET Overhaul	18	-	822570A1	GASKET SET Overhaul	20	-
822570A1	GASKET SET Overhaul	22	-	822570A1	GASKET SET Overhaul	24	-
822570A1	GASKET SET Overhaul	26	-	822570A1	GASKET SET Overhaul	28	-
822570A1	GASKET SET Overhaul	32	-	822570A1	GASKET SET Overhaul	36	-
822570A1	GASKET SET Overhaul	40	-	822570A1	GASKET SET Overhaul	46	-
822570A1	GASKET SET Overhaul	50	-	823296	GASKET	10	27
823297	GASKET Cylinder Head	10	27	823298	GASKET	10	27
846109	SCREW (.375-16 x .875)	42	-	850418	STUD (M8 x 115)	26	16
850420A1	PULLEY (INCLUDES KEY)	18	11	850421	KEY Pulley	16	3
85181	BOLT	64	13	85181	BOLT	70	5
854222	PARTS MANUAL D3.6L Bravo Diesel	2	-	860086T	HEADER With Out Filter	40	11
860319A1	END COVER	42	-	861068	RING Locking - Fuel Filter	40	-
88743	SCREW (.312-18 x .500)	42	-	88791	MOUNT	24	17
891889	HOSE	28	29	89879	O-RING (.301 x .064)	60	14
89879	O-RING (.301 x .064)	60	16	91016	PLUG	28	15
94330	NUT (.250-20) Brass	52	4	95084A10	CABLE ASSEMBLY (5.00 Inches) Red	56	13
95084A9	CABLE ASSEMBLY (91.00 Inches) Red/Purple Strip	56	11	96112	STUD (.250-28 x 2.00) Throttle Cable Anchor	32	31

PARTS INDEX

Part No.	Description	Pg.	Ref.no	Part No.	Description	Pg.	Ref.no
96112	STUD (.250-28 x 2.00) Throttle Cable Anchor	62	11	96457	WASHER Phenolic (.27 x .81 x .062)	52	2
98277	SEAL	38	9	987981	STUD (.250-20/.250-28 x 2.120)	62	2
98828	SPACER	62	4	98880	SPRING	62	7
99322	SPACER	24	16	99356A2	COOLER ASSEMBLY	42	30