

Parts Manual

Cat.# 90-854190

Revised 09-12-2020

TABLE OF CONTENTS

Cat.# 90-854190

MISCELLANEOUS INFORMATION.....	1
ENGINE/CYLINDER BLOCK.....	3
ROCKER COVER.....	7
Rocker Arm and Lifters.....	11
CYLINDER HEAD.....	13
CAMSHAFT.....	19
CONNECTING ROD AND PISTON.....	21
CRANKSHAFT.....	23
FRONT COVER.....	27
AIR COOLER.....	29
FLYWHEEL HOUSING (STERN DRIVE).....	31
FLYWHEEL HOUSING (INBOARD).....	35
OIL PAN.....	39
EXHAUST MANIFOLD.....	41
TURBO CHARGER/EXHAUST ELBOW.....	45
INJECTION PUMP, NOZZLE AND LINES.....	49
OIL FILTER AND OIL HOSES.....	53
FUEL FILTER.....	55
HEAT EXCHANGER AND HOSES.....	57
THERMOSTAT ASSEMBLY AND HOSES.....	61
SEAWATER FILTER.....	63
Seawater Pump (2.8L).....	65
Seawater Pump (4.2L).....	67
MANIFOLD STRIP.....	69
Starter Motor.....	73
WATER PUMP.....	75
Alternator And Mounting Hardware.....	77
Alternator (Mando).....	79
Mercathode (Sterndrive).....	81
ENGINE HARNESS.....	83
EDI Harness.....	85
Electrical Box And Components.....	87
CONTROL UNIT AND BRACKET.....	89
Power Steering Components (Sterndrive).....	91
Shift Bracket.....	93
Engine Cover.....	95
Coolant Recovery.....	97
PRIMARY STATION INSTRUMENTATION.....	99

TABLE OF CONTENTS

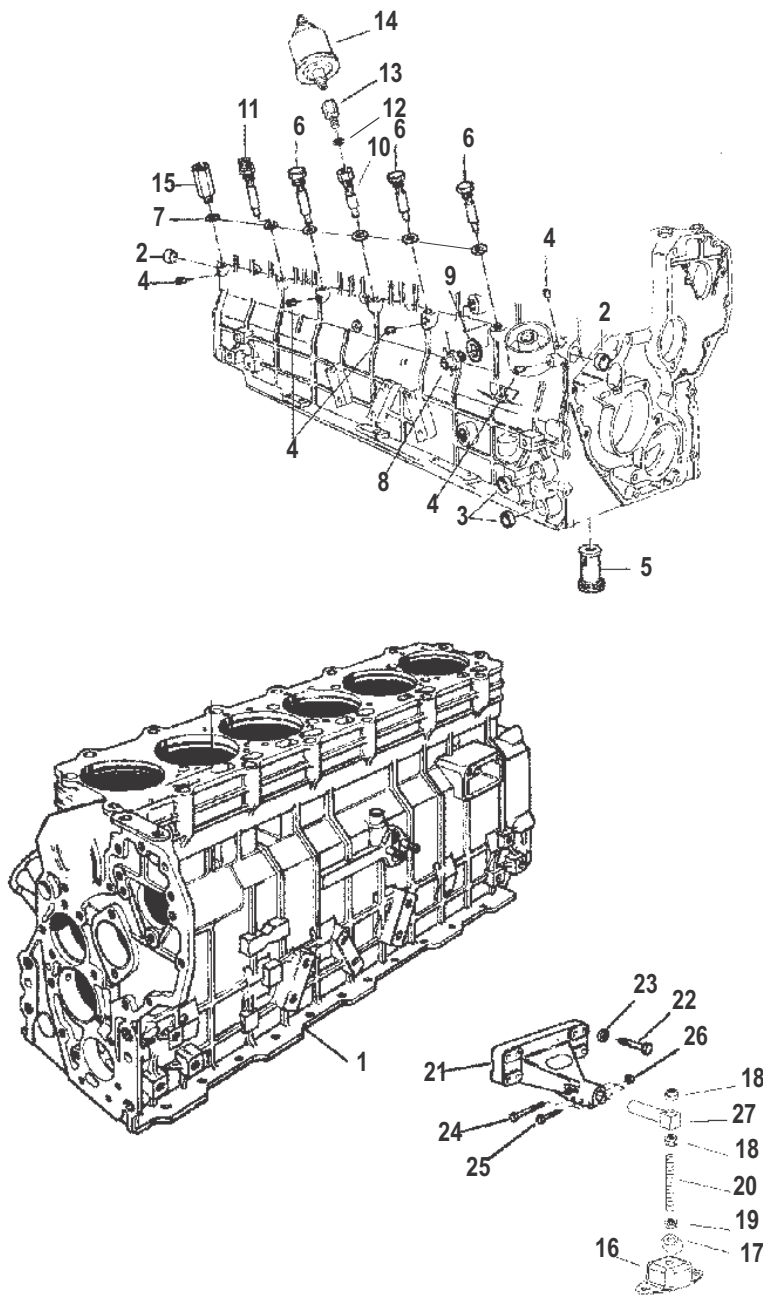
SECONDARY STATION INSTRUMENTATION.....	101
Oil Reservoir Components (STERNDRIVE).....	103
TRANSMISSION AND RELATED PARTS (INBOARD).....	105
TRANSMISSION (DOWN ANGLE)(INBOARD).....	109
TRANSMISSION (DOWN ANGLE)(INBOARD).....	113
TRANSMISSION (V-DRIVE)(INBOARD).....	117
TRANSMISSION (V-DRIVE)(INBOARD).....	121
Transmission Mounting (Inboard).....	127
AIR CLEANER.....	129
Gimbal Housing Cover (Sterndrive).....	131

MISCELLANEOUS INFORMATION

MISCELLANEOUS INFORMATION

Ref #	Part Class	Part Number	Description	Comments	Qty	Note
-	0090	854190	PARTS MANUAL D2.8L/165 D-TRONIC D4.2L/250 D-TRONIC DIESEL		1	
-	0090	860166970	OWNERS GUIDE (STERN DRIVE)		1	
-	0090	860167970	OWNERS GUIDE (INBOARD)		1	
-	0000	879829	SHORTBLOCK ASSEMBLY	(2.8L)	1	
-	0000	879832	SHORTBLOCK ASSEMBLY	(4.2L)	1	

ENGINE/CYLINDER BLOCK

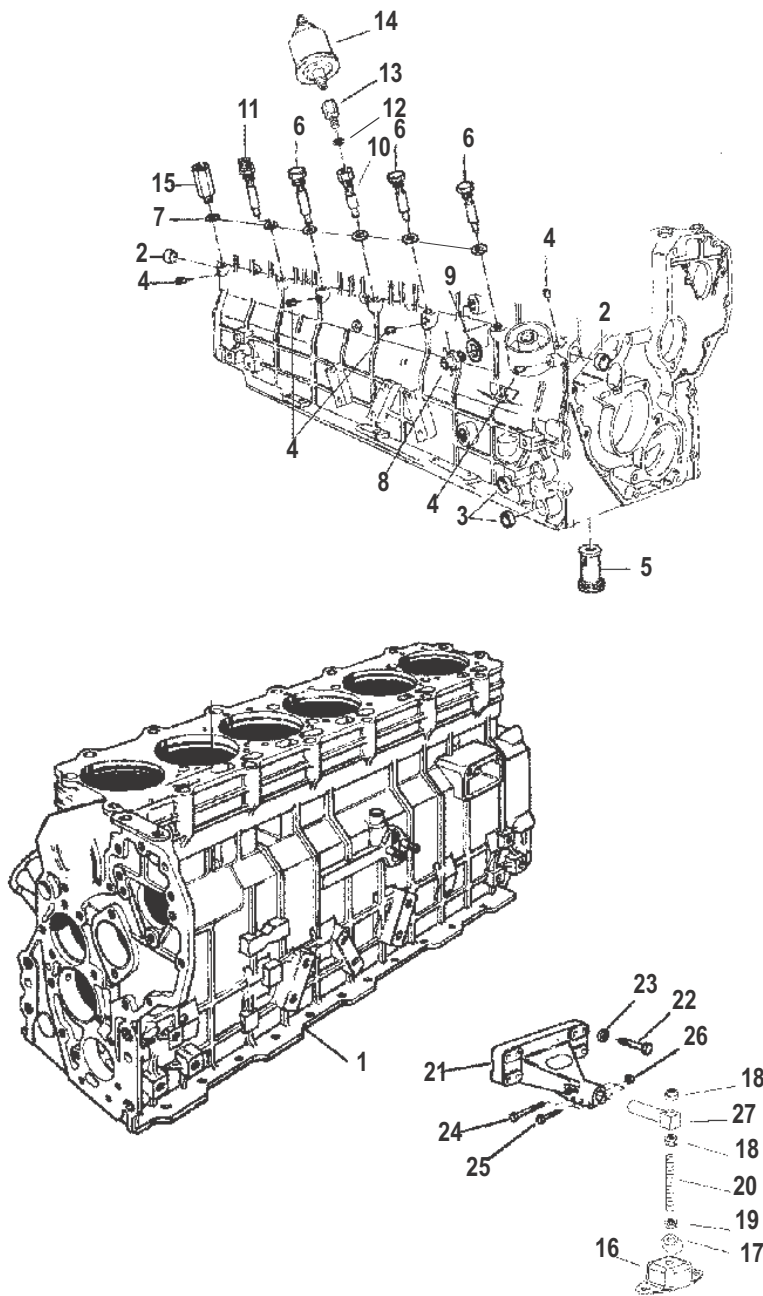


12769

ENGINE/CYLINDER BLOCK

Ref #	Part Class	Part Number	Description	Comments	Qty	Note
1	0882	855453	CYLINDER BLOCK	(2.8L)	1	
1	0882	854040	CYLINDER BLOCK	(4.2L)	1	
2	0019	801331602	PLUG Expansion		2	
3	0019	809937241	PLUG		2	
4	0010	811431	SET SCREW (M6 x 3)		5	
5	0000	854041	VALVE Oil Pressure		1	
6	0010	801331650	SCREW Locating		1/3	
7	0012	809963201	WASHER		4/6	[1]
8	0022	801331684	FITTING Drain		1	
9	0022	811428	SLEEVE		1	
10	0022	801763388	CONNECTOR		1	
11	0010	801331651	SCREW		1	
12	0012	809963072	WASHER		1	[1]
13	0022	806443	ADAPTER		1	
14	0000	805267T	SENDER Oil Pressure	(SINGLE STATION)	1	
14	0000	805268	SENDER	(DUAL STATION)	1	
15	0022	855463	ADAPTER		1	
16	0000	855454	ENGINE MOUNT	(2.8L) [0L343100] & Below	2	
16	0000	877391	MOUNT	(2.8L) [0L343101] & Up	2	
16	0000	855381	MOUNT Engine	(4.2L)	2	
17	0012	809931094	WASHER		2	
18	0011	809922457	NUT (M16)		4	
19	0011	809921102	NUT (M16)		2	
20	0016	801763908	STUD (M16 x 125)		2	
21	0000	801761382	BRACKET		2	
22	0010	854044	SCREW (M10 x 45)		6	
22	0010	40001209	SCREW (M10 x 60)		2	
23	0013	809931076	LOCKWASHER		2	
24	0010	809912516	SCREW (M8 x 50)		4	
25	0010	801761617	SCREW		2	
26	0011	815088	NUT (M8)		4	
27	0000	855382	PIN		2	
-	0027	855451	GASKET SET Overhaul	(2.8L) [0K144109] THRU [0L098058]	1	
-	0027	879684	GASKET SET Overhaul	(2.8L) [0L098059] & Up	1	
-	0027	855448	GASKET SET Overhaul	(4.2L) [0K144114] THRU [0L098231]	1	
-	0027	881742	GASKET SET Overhaul	(4.2L) [0L098232] & Up	1	
-	0000	879829	SHORTBLOCK ASSEMBLY INCLUDES INTERNAL PARTS AND CYLINDER HEADS	(2.8L)	1	
-	0000	879832	SHORTBLOCK ASSEMBLY INCLUDES INTERNAL PARTS	(4.2L)	1	

ENGINE/CYLINDER BLOCK



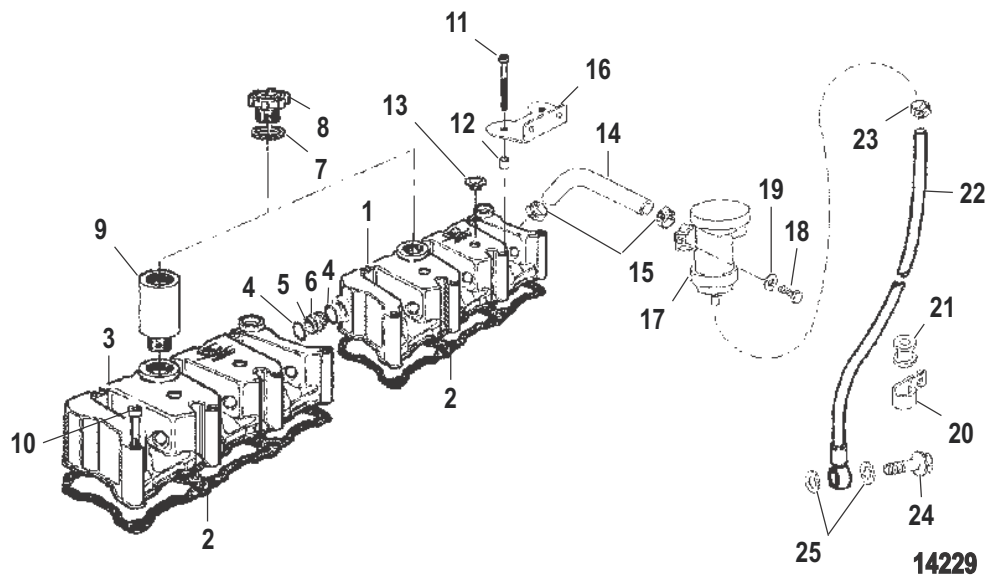
12769

ENGINE/CYLINDER BLOCK

PART NOTES:

- [1] - COMPONENT OF OVERHAUL GASKET SET 855451
- COMPONENT OF OVERHAUL GASKET SET 855488
- COMPONENT OF OVERHAUL GASKET SET 879684
- COMPONENT OF OVERHAUL GASKET SET 881742

ROCKER COVER

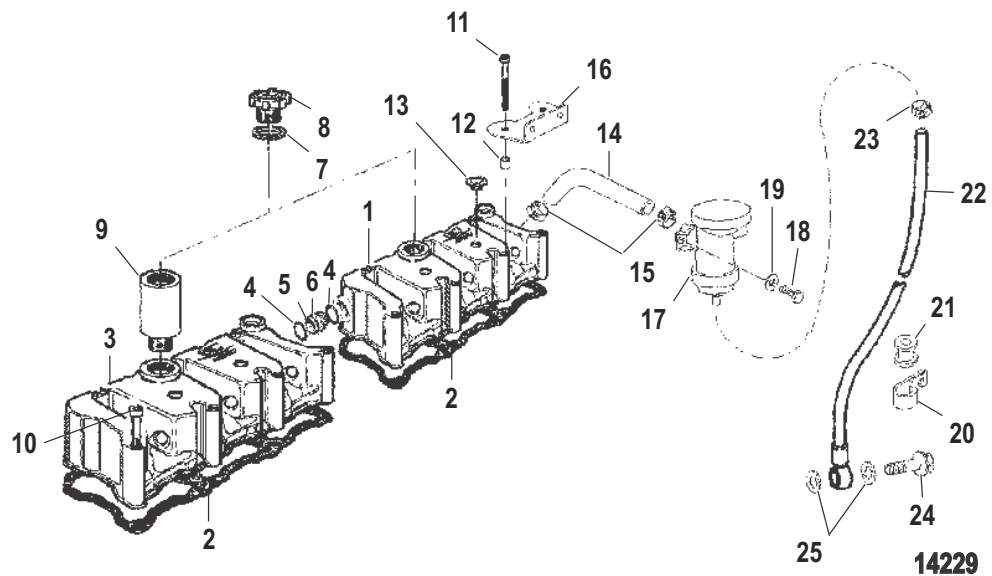


ROCKER COVER

Ref #	Part Class	Part Number	Description	Comments	Qty	Note
1	0000	855455	COVER Rocker	(2.8L) [0L099622] & Below	1	
1	0000	883998	COVER	(2.8L) [0L099623] & Up	1	
1	0000	854045	COVER (REAR)	(4.2L)	1	
2	0027	855456	GASKET Rocker Cover	(2.8L) [0L099622] & Below	1	[1]
2	0027	883999	GASKET	(2.8L) [0L099623] & Up	1	
2	0027	854046	GASKET	(4.2L)	2	[2]
3	0000	854049	COVER (FRONT)	(4.2L)	1	
4	0025	854194	O-RING	(4.2L)	2	[2]
5	0022	854195	CONNECTOR	(4.2L)	1	
6	0053	854196	RING	(4.2L)	1	
7	0027	854047	GASKET Oil Fill Cap	(2.8L)	1	[1]
7	0027	854047	GASKET Oil Fill Cap	(4.2L)	2	[2]
8	0036	854048	CAP		1/2	
9	0000	855457	TUBE	(2.8L)	1	
9	0000	854053	TUBE	(4.2L)	1	
10	0010	811436	SCREW (M6 x 80)		7/12	
11	0010	854055	SCREW (M6 x 88)		2	
12	0023	854056	SPACER		2	
13	0019	854051	PLUG		3/4	
14	0032	854054	HOSE		1	
15	0054	854189	CLAMP Hose		2	
16	0000	854023	BRACKET		1	
17	0000	854050	SEPARATOR Oil		1	
18	0010	854113	SCREW (M6 x 14)		1	
19	0012	4002217	WASHER		1	
20	0054	811467	CLIP		1	
21	0025	854052	SLEEVE		1	
22	0032	807322	HOSE		1	
23	0054	809952104	CLAMP		1	
24	0010	811410	SCREW (M14)		1	
25	0012	809963201	WASHER		2	[3]
-	0027	855451	GASKET SET Overhaul	(2.8L) [0K144109] THRU [0L098058]	1	
-	0027	879684	GASKET SET Overhaul	(2.8L) [0L098059] & Up	1	
-	0027	855448	GASKET SET Overhaul	(4.2L) [0K144114] THRU [0L098031]	1	
-	0027	881742	GASKET SET Overhaul	(4.2L) [0L098032] & Up	1	
-	0027	855450	GASKET SET Cylinder Head	(2.8L) [0K144109] THRU [0L098058]	1	
-	0027	883962	GASKET SET Cylinder Head	(2.8L) [0L098059] & Up	1	
-	0027	855449	GASKET SET Cylinder Head	(4.2L) [0K144114] THRU [0L098031]	1	
-	0027	881743	GASKET SET Cylinder Head	(4.2L) [0L098032] & Up	1	

ROCKER COVER

ROCKER COVER

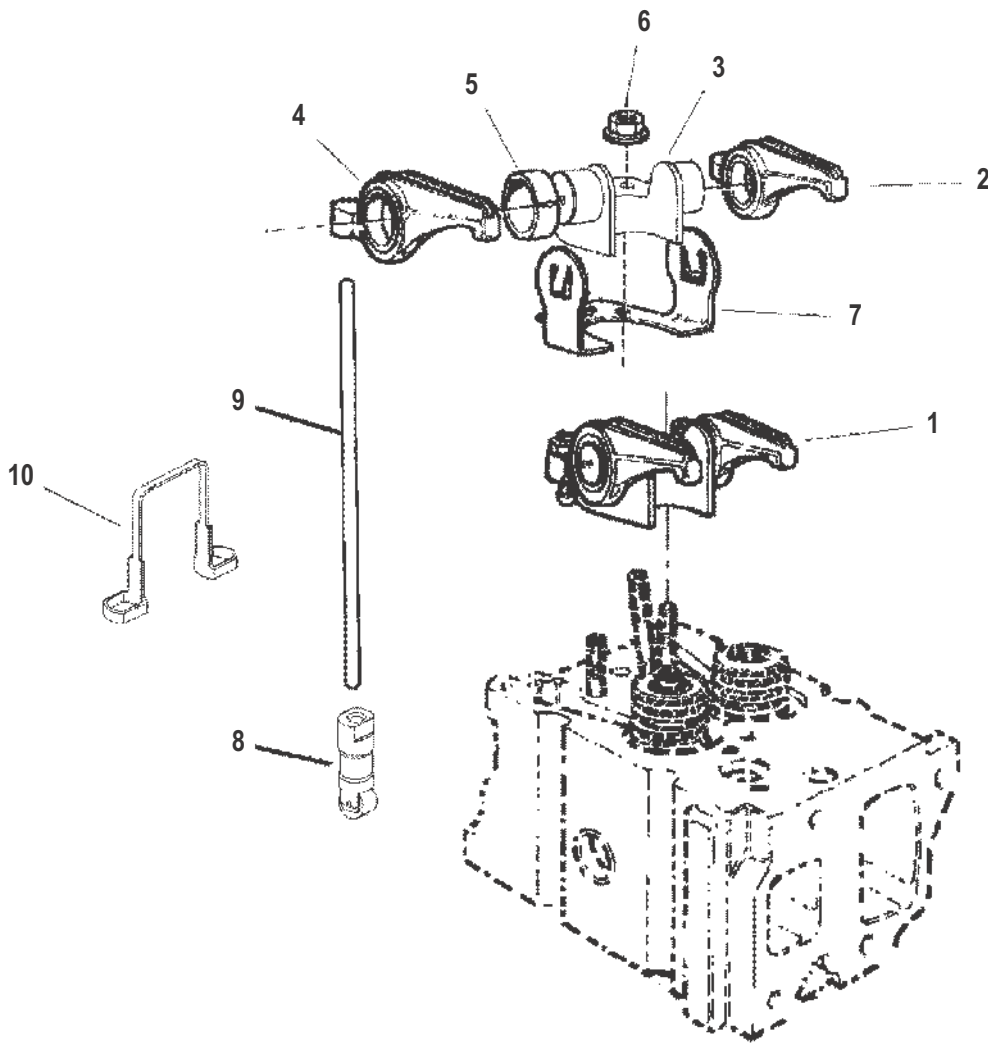


ROCKER COVER

PART NOTES:

- [1] - COMPONENT OF OVERHAUL GASKET SET 855451
COMPONENT OF OVERHAUL GASKET SET 879684
COMPONENT OF CYLINDER HEAD GASKET SET855450
COMPONENT OF CYLINDER HEAD GASKET SET883962
- [2] - COMPONENT OF OVERHAUL GASKET SET 855488
COMPONENT OF OVERHAUL GASKET SET 881742
COMPONENT OF CYLINDER HEAD GASKET SET855449
COMPONENT OF CYLINDER HEAD GASKET SET881743
- [3] - COMPONENT OF OVERHAUL GASKET SET 855451
COMPONENT OF OVERHAUL GASKET SET 855488
COMPONENT OF OVERHAUL GASKET SET 879684
COMPONENT OF OVERHAUL GASKET SET 881742

Rocker Arm and Lifters

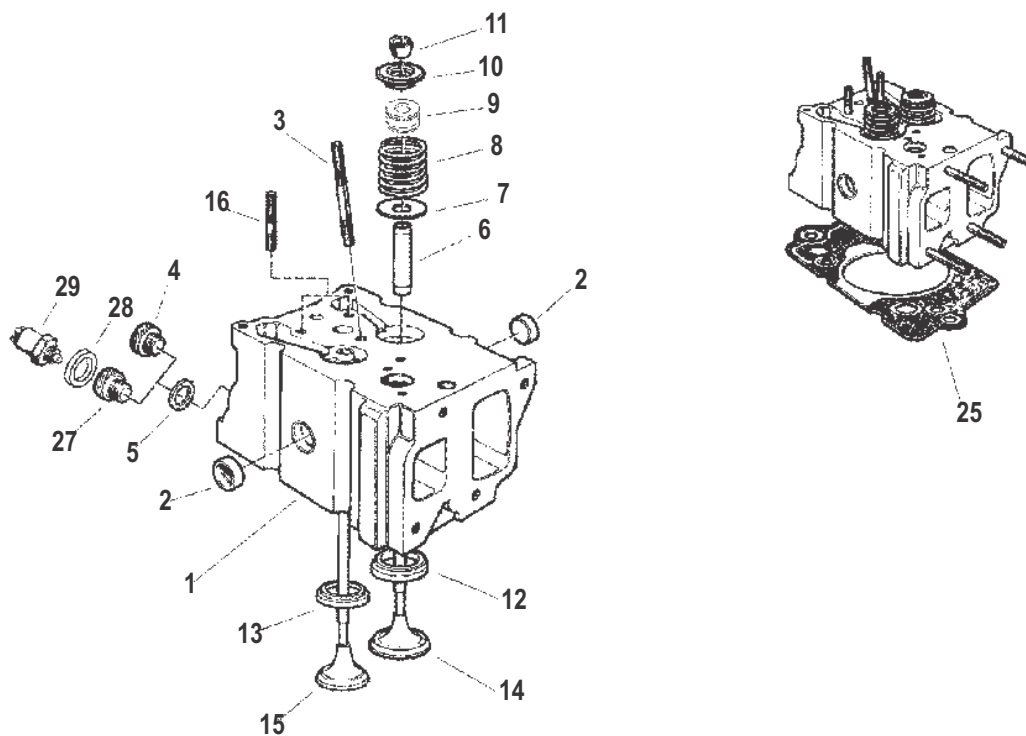
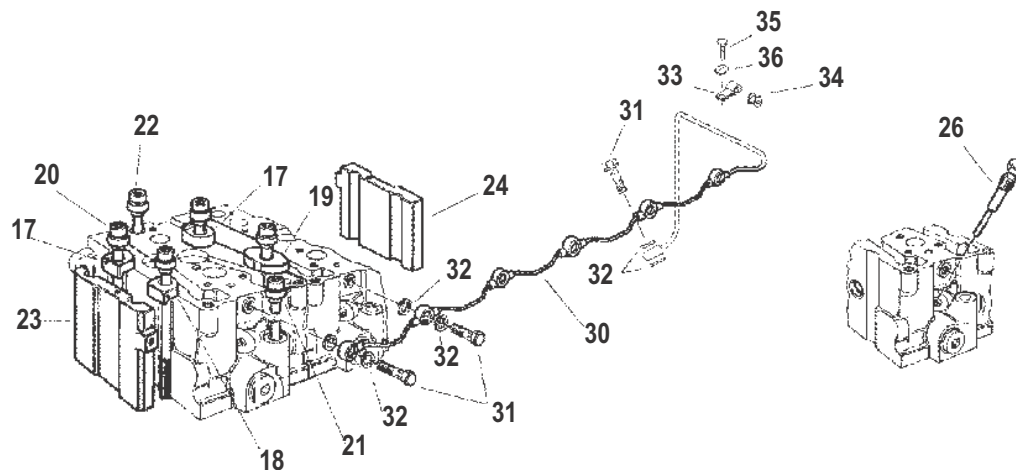


12764

Rocker Arm and Lifters

Ref #	Part Class	Part Number	Description	Comments	Qty	Note
1	0000	854057	ROCKER ARM ASSEMBLY		6	
2	0000	854059	ROCKER ARM Intake		6	
3	0000	854060	SUPPORT Rocker Arm		6	
4	0000	854061	ROCKER ARM Exhaust		6	
5	0023	854062	BUSHING		12	
6	0011	854037	NUT (M8)		12	
7	0000	854058T	BRACKET Rocker Arm		6	
8	0000	854063	LIFTER Roller		12	
9	0000	854064	PUSH ROD		12	
10	0000	854066	BRACKET Lifter Retainer		6	

CYLINDER HEAD



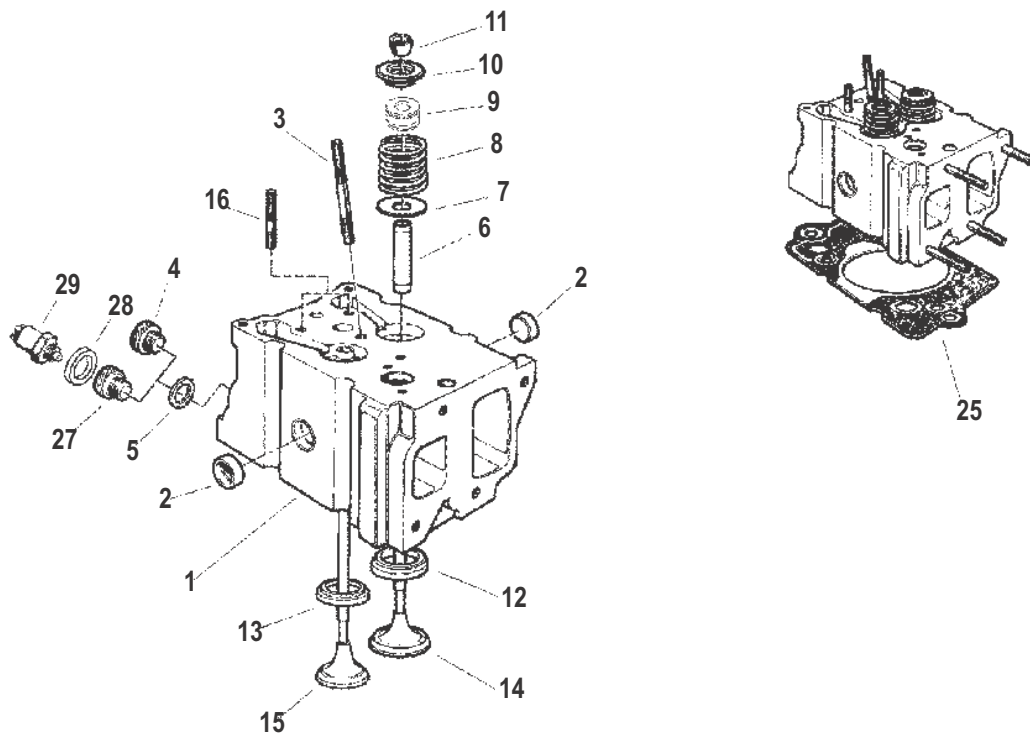
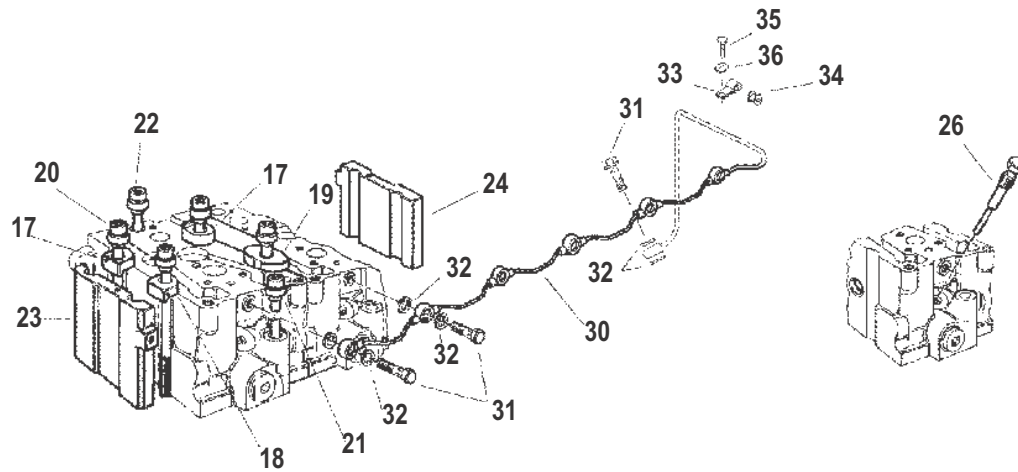
12765

CYLINDER HEAD

Ref #	Part Class	Part Number	Description	Comments	Qty	Note
1	0000	854067	CYLINDER HEAD ASSEMBLY	(2.8L) [0L098218] & Below	4	
1	0000	854067	CYLINDER HEAD ASSEMBLY	(4.2L) [0L099504] & Below	6	
1	0000	879715	CYLINDER HEAD ASSEMBLY	(2.8L) [0L098219] & Up	4	
1	0000	879715	CYLINDER HEAD ASSEMBLY	(4.2L) [0L099505] & Up	6	
2	0019	811389	PLUG		8/12	
3	0016	854069	STUD (M8 x 60)		4/6	
4	0010	801763377	PLUG		2/4	
5	0025	809963342	O-RING		4/6	[1]
6	0000	854070	VALVE GUIDE Standard		8/12	
7	0000	801331752	PLATE Spring		8/12	
8	0024	811388	SPRING		8/12	
9	0026	854068	SEAL Oil		8/12	
10	0000	801331754	CAP Spring		8/12	
11	0000	801331755	KEEPER		16/24	
12	0000	854071	SEAT (INTAKE)		4/6	
13	0000	854072	SEAT (EXHAUST)		4/6	
14	0000	854073	VALVE		4/6	
15	0000	854074	VALVE Exhaust		4/6	
16	0016	854075	STUD (M8 x 35)		8/12	
17	0000	801331671	BRIDGE		5/7	
18	0000	801331673	BRIDGE		2	
19	0000	801331674	BRIDGE		3/5	
20	0010	806685	BOLT (M14 x 149.5) Center		10/14	
21	0010	806686	BOLT (M12 x 94.5) Injector Side		4/6	
22	0010	806687	BOLT (M12 x 127.5) Manifold Side		4/6	
23	0023	854077	SPACER Front	(2.8L) [0K144109] THRU [0L098058]	1	
23	0023	854077	SPACER Front	(4.2L) [0K144114] THRU [0L098231]	1	
23	0023	881746	SPACER	(2.8L) [0L098059] & Up	1	
23	0023	881746	SPACER	(4.2L) [0L098232] & Up	1	
24	0023	854076	SPACER Rear	(2.8L) [0K144109] THRU [0L098058]	1	
24	0023	854076	SPACER Rear	(4.2L) [0K144114] THRU [0L098231]	1	
24	0023	881746	SPACER	(2.8L) [0L098059] & Up	1	
24	0023	881746	SPACER	(4.2) [0L098232] & Up	1	
25	0027	854078	GASKET Cylinder Head (1.42 MM)	(2.8L) [0K144109] THRU [0L098058]	4	[2]
25	0027	854078	GASKET Cylinder Head (1.42 MM)	(4.2L) [0K144114] THRU [0L098231]	6	[3]
25	0027	823297	GASKET Cylinder Head (1.52 MM)	(2.8L) [0K144109] THRU [0L098058]	OPT	
25	0027	823297	GASKET Cylinder Head (1.52 MM)	(4.2L) [0K144114] THRU [0L098231]	OPT	
25	0027	854079	GASKET Cylinder Head (1.62 MM)	(2.8L) [0K144109] THRU [0L098058]	OPT	
25	0027	854079	GASKET Cylinder Head (1.62 MM)	(4.2L) [0K144114] THRU [0L098231]	OPT	

CYLINDER HEAD

CYLINDER HEAD



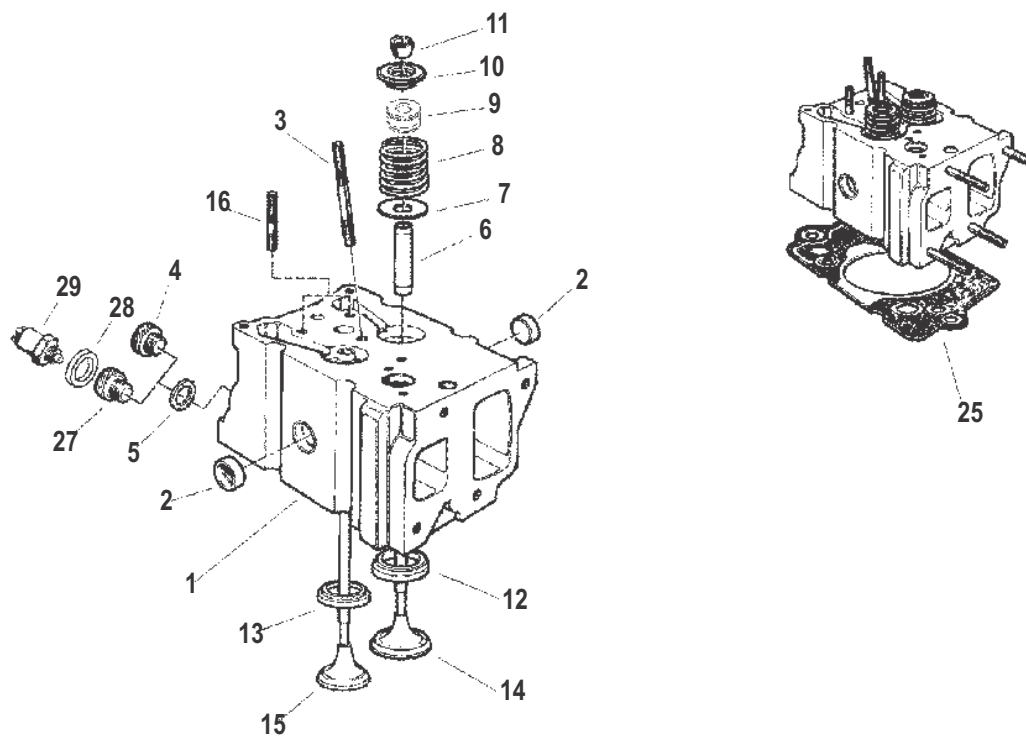
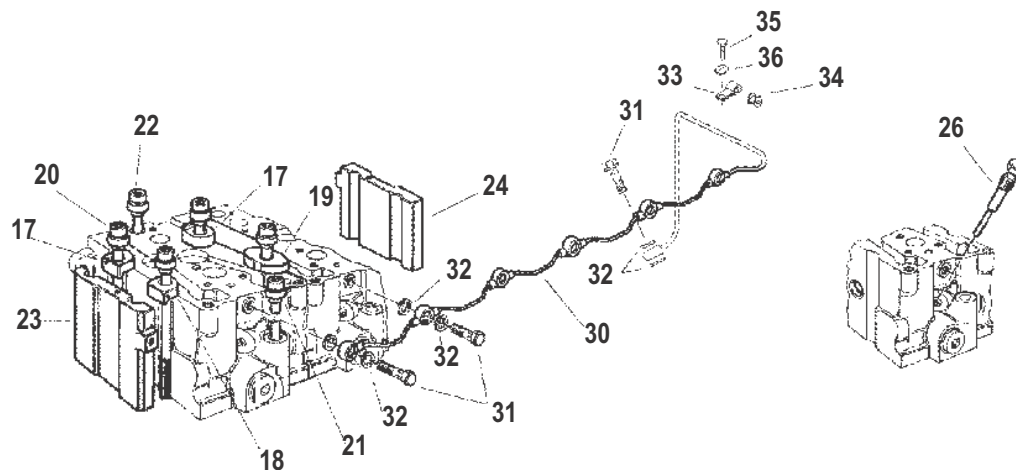
12765

CYLINDER HEAD

Ref #	Part Class	Part Number	Description	Comments	Qty	Note
25	0027	879675	GASKET (1.41 mm) Cylinder Head	(2.8L) [0L098059] & Up	1	
25	0027	879676	GASKET (1.51 mm) Cylinder Head	(2.8L) [0L098059] & Up	OPT	
25	0027	879677	GASKET (1.61 mm) Cylinder Head	(2.8L) [0L098059] & Up	OPT	
25	0027	877376	GASKET (1.42 mm) Front	(4.2L) [0L0980232] & Up	1	
25	0027	879678	GASKET (1.52 mm) Front	(4.2L) [0L0980232] & Up	OPT	
25	0027	879679	GASKET (1.62 mm) Front	(4.2L) [0L0980232] & Up	OPT	
25	0027	877377	GASKET (1.42 mm) Rear	(4.2L) [0L0980232] & Up	1	
25	0027	879680	GASKET (1.52 mm) Rear	(4.2L) [0L0980232] & Up	OPT	
25	0027	879681	GASKET (1.62 mm) Rear	(4.2L) [0L0980232] & Up	OPT	
26	0019	854080	PLUG		4/6	
26	0033	802736	GLOW PLUG KIT	(2.4L)	OPT	
26	0033	802737	GLOW PLUG KIT	(4.2L)	OPT	
27	0022	880819	ADAPTER	(SINGLE STATION TEMP SENDER)	1	
27	0022	52382	BUSHING	(DUAL STATION TEMP SENDER)	1	
27	0022	854082	ADAPTER	(ECT SENSOR)(2.8L) [0L098218] & Below	1	
27	0022	854082	ADAPTER	(ECT SENSOR)(4.2L) [0L099504] & Below	1	
27	0022	884000	ADAPTER	(ECT SENSOR)(2.8L) [0L098219] & Up	1	
27	0022	884000	ADAPTER	(ECT SENSOR)(4.2L) [0L099505] & Up	1	
28	0025	809963129	WASHER	WATER TEMPERATURE SENDER	1	[1]
28	0012	811438	WASHER	ECT SENSOR	1	
29	0000	880820	SENDER	(SINGLE STATION) WATER TEMPERATURE SENDER	1	
29	0000	49734	SENDER	(DUAL STATION) WATER TEMPERATURE SENDER	1	
29	0087	854081	SENSOR Engine Coolant Temperature	ECT SENSOR	1	
30	0032	855458	LINE Oil	(2.8L)	1	
30	0032	854065	LINE Oil	(4.2L)	1	
31	0010	811394	BOLT Banjo		5/7	
32	0025	809963042	O-RING		10/14	[1]
33	0054	801333424	CLIP		1	
34	0025	855459	SLEEVE		1	
35	0010	809913218	SCREW (M5 x 10)		1	
36	0012	809931036	WASHER		1	
-	0027	855451	GASKET SET Overhaul	(2.8L) [0K144109] THRU [0L098058]	1	
-	0027	879684	GASKET SET Overhaul	(2.8L) [0L098059] & Up	1	
-	0027	855448	GASKET SET Overhaul	(4.2L) [0K144114] THRU [0L098231]	1	
-	0027	881742	GASKET SET Overhaul	(4.2L) [0L0980232] & Up	1	
-	0027	855450	GASKET SET Cylinder Head	(2.8L) [0K144109] THRU [0L098058]	1	

CYLINDER HEAD

CYLINDER HEAD



12765

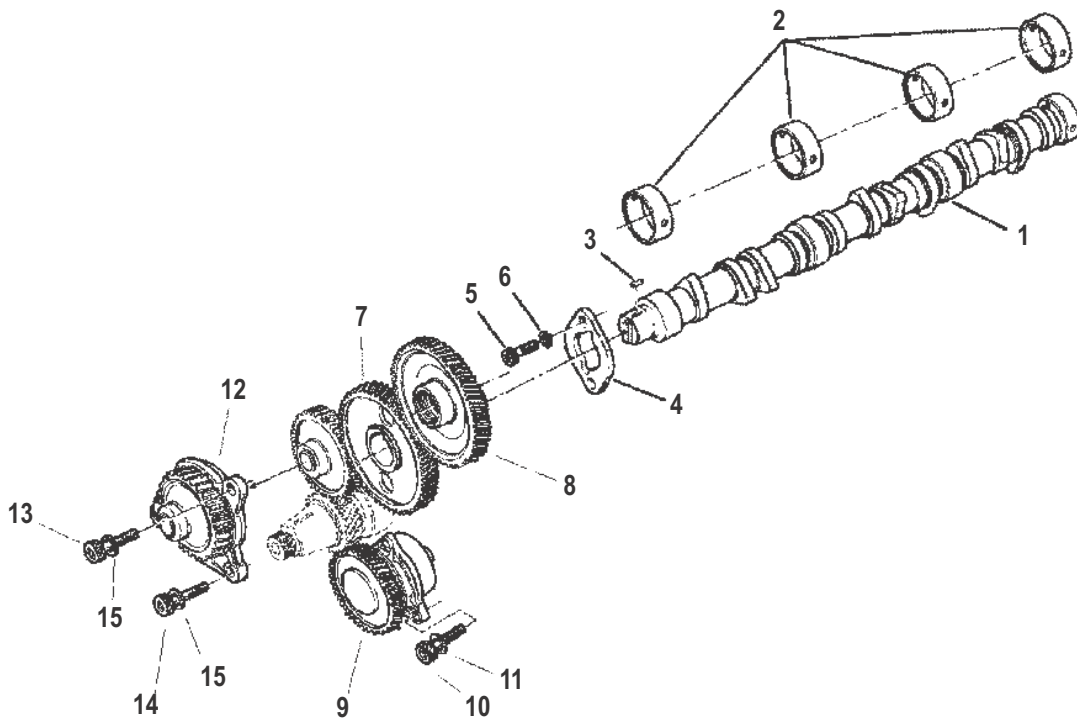
CYLINDER HEAD

Ref #	Part Class	Part Number	Description	Comments	Qty	Note
-	0027	883962	GASKET SET Cylinder Head	(2.8L) [0L098059] & Up	1	
-	0027	855449	GASKET SET Cylinder Head	(4.2L) [0K144114] THRU [0L098231]	1	
-	0027	881743	GASKET SET Cylinder Head	(4.2L) [0L0980232] & Up	1	

PART NOTES:

- [1] - COMPONENT OF OVERHAUL GASKET SET 855451
 COMPONENT OF OVERHAUL GASKET SET 855488
 COMPONENT OF OVERHAUL GASKET SET 879684
 COMPONENT OF OVERHAUL GASKET SET 881742
- [2] - COMPONENT OF OVERHAUL GASKET SET 855451
 COMPONENT OF CYLINDER HEAD GASKET SET855450
- [3] - COMPONENT OF OVERHAUL GASKET SET 855488
 COMPONENT OF CYLINDER HEAD GASKET SET855449

CAMSHAFT

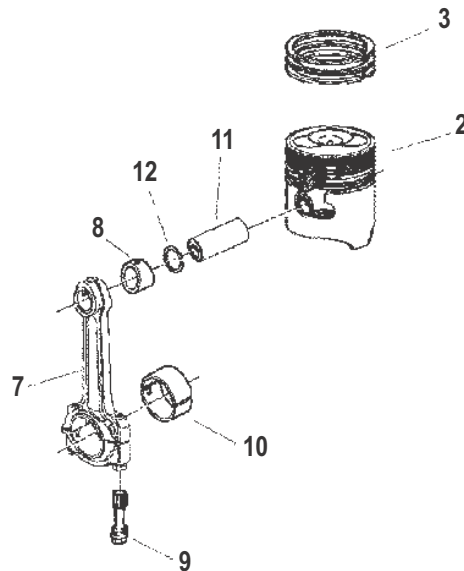
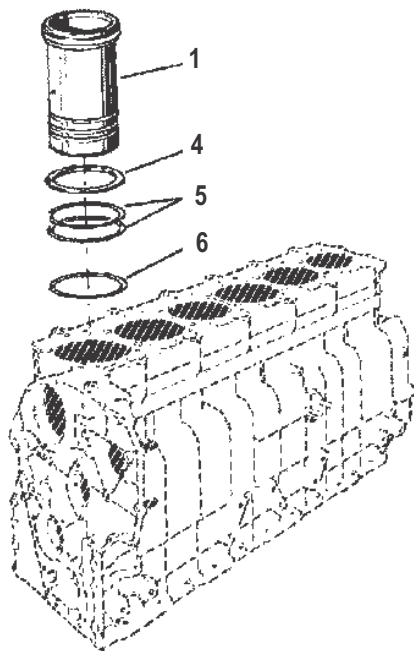


12766

CAMSHAFT

Ref #	Part Class	Part Number	Description	Comments	Qty	Note
1	0487	855460	CAMSHAFT	(2.8L)	1	
1	0487	854084	CAMSHAFT	(4.2L)	1	
2	0023	855461	BUSHING Standard		3/4	
2	0023	801333864	BUSHING (25 mm)		AR	
3	0028	801331735	KEY		1	
4	0000	801331733	PLATE Cam Guide		1	
5	0010	809919935	SCREW (M8 x 18)		2	
6	0013	811384	LOCKWASHER (M8)		2	
7	0043	854085	GEAR		1	
8	0043	854086	GEAR		1	
9	0000	854087	PUMP Oil		1	
10	0010	809919935	SCREW (M8 x 18)		3	
11	0013	811460	LOCKWASHER		3	
12	0043	854088	GEAR ASSEMBLY		1	
13	0010	811415	SCREW		1	
14	0010	809919935	SCREW (M8 x 18)		2	
15	0013	811460	LOCKWASHER		3	

CONNECTING ROD AND PISTON



12771

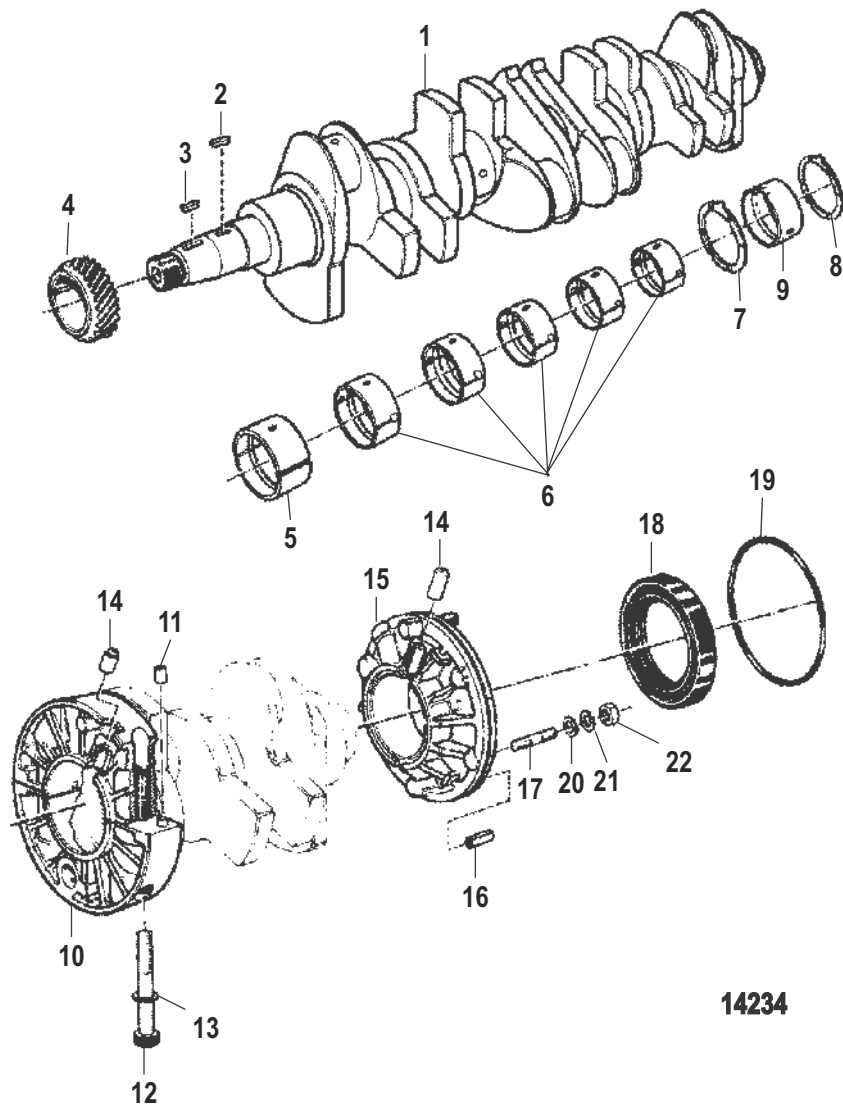
CONNECTING ROD AND PISTON

Ref #	Part Class	Part Number	Description	Comments	Qty	Note
-	0051	803123A1	LINER KIT		4/6	
1	0051	854089	LINER		4/6	
2	0795	803122A1	PISTON ASSEMBLY		4/6	
3	0039	823646	RING SET		4/6	
4	0015	801331607	SHIM (15 mm)		AR	[1]
4	0015	801331608	SHIM (20 mm)		AR	[1]
4	0015	801763362	SHIM (23 mm)		AR	[1]
5	0025	817728	O-RING		8/12	[1]
6	0025	817729	O-RING		4/6	[1]
7	0641	808629	CONNECTING ROD ASSEMBLY		4/6	
8	0023	854090	BUSHING		4/6	
9	0010	801331713	BOLT		8/12	
10	0000	801331715	BEARING Standard		4/6	
10	0000	801331716	BEARING (25 mm)		AR	
10	0000	801331717	BEARING (50 mm)		AR	
11	0041	811387	PIN		4/6	
12	0040	801331725	RING		8/12	
-	0027	855451	GASKET SET Overhaul	(2.8L) [0K144109] THRU [0L098058]	1	
-	0027	879684	GASKET SET Overhaul	(2.8L) [0L098059] & Up	1	
-	0027	855448	GASKET SET Overhaul	(4.2L) [0K144114] THRU [0L098231]	1	
-	0027	881742	GASKET SET Overhaul	(4.2L) [0L095232] & Up	1	

PART NOTES:

- [1] - COMPONENT OF OVERHAUL GASKET SET 855451
COMPONENT OF OVERHAUL GASKET SET 855488
COMPONENT OF OVERHAUL GASKET SET 879684
COMPONENT OF OVERHAUL GASKET SET 881742

CRANKSHAFT



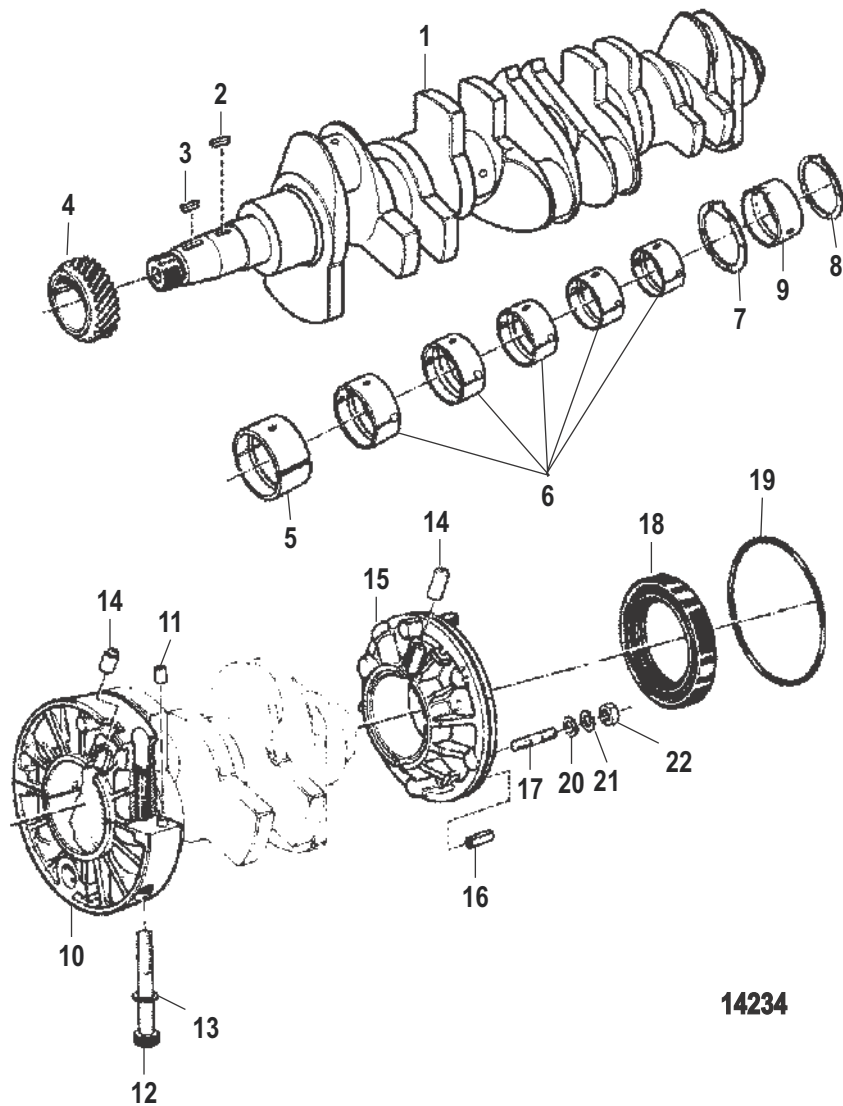
14234

CRANKSHAFT

Ref #	Part Class	Part Number	Description	Comments	Qty	Note
1	0486	855462	CRANKSHAFT	(2.8L) [0L098203] & Below	1	
1	0486	884013	CRANKSHAFT	(2.8L) [0L098204] & Up	1	
1	0486	816782	CRANKSHAFT	(4.2L) [0L099524] & Below	1	
1	0486	884014	CRANKSHAFT	(4.2L) [0L099525] & Up	1	
2	0028	801331642	KEY		1	
3	0028	879718	KEY		1	
4	0043	883960A1	GEAR	(For Use When No Spacer Is Present With Gear)	1	
4	0043	883960	GEAR	NEW STYLE	1	
4	0043	883961	SPACER	NEW STYLE	1	
5	0023	811376	BEARING Standard		1	
5	0023	811377	BEARING (25 mm)		AR	
5	0023	811378	BEARING (50 mm)		AR	
6	0023	801331631	BEARING Standard		3/4	
6	0023	801331632	BEARING (25 mm)		AR	
6	0023	801331633	BEARING (50 mm)		AR	
7	0012	801331639	THRUST WASHER (Standard)	(2.8L) [0L098203] & Below	1	
7	0012	801331639	THRUST WASHER (Standard)	(4.2L) [0L099524] & Below	1	
7	0012	801331640	THRUST WASHER (.10MM)	(2.8L) [0L098203] & Below	A/R	
7	0012	801331640	THRUST WASHER (.10MM)	(4.2L) [0L099524] & Below	AR	
7	0012	801331641	THRUST WASHER (.20MM)	(2.8L) [0L098203] & Below	A/R	
7	0012	801331641	THRUST WASHER (.20MM)	(4.2L) [0L099524] & Below	AR	
7	0000	803621	BEARING Standard Front Thrust	(2.8L) [0L098204] & Up	1	
7	0000	803621	BEARING Standard Front Thrust	(4.2L) [0L099525] & Up	1	
7	0023	884006	BEARING (.10 mm) Front Thrust	(2.8L) [0L098204] & Up	AR	
7	0023	884006	BEARING (.10 mm) Front Thrust	(4.2L) [0L099525] & Up	AR	
7	0023	884007	BEARING (.20 mm) Front Thrust	(2.8L) [0L098204] & Up	AR	
7	0023	884007	BEARING (.20 mm) Front Thrust	(4.2L) [0L099525] & Up	AR	
8	0012	801331639	THRUST WASHER	(2.8L) [0L098203] & Below	1	
8	0012	801331639	THRUST WASHER	(4.2L) [0L099524] & Below	1	
8	0012	803622	WASHER	(2.8L) [0L098204] & Up	1	
8	0012	803622	WASHER	(4.2L) [0L099525] & Up	1	
9	0023	801331635	BEARING	(STD)(2.8L) [0L098203] & Below	1	
9	0023	801331635	BEARING	(STD)(4.2L) [0L099524] & Below	1	
9	0023	801331636	BEARING	(.25MM)(2.8L) [0L098203] & Below	AR	
9	0023	801331636	BEARING	(.25MM)(4.2L) [0L099524] & Below	AR	
9	0023	801331637	BEARING	(.50MM)(2.8L) [0L098203] & Below	AR	
9	0023	801331637	BEARING	(.50MM)(4.2L) [0L099524] & Below	AR	
9	0023	884008	BEARING Standard	(2.8L) [0L098204] & Up	1	
9	0023	884008	BEARING Standard	(4.2L) [0L099525] & Up	1	
9	0023	884009	BEARING (.25 mm)	(2.8L) [0L098204] & Up	AR	
9	0023	884009	BEARING (.25 mm)	(4.2L) [0L099525] & Up	AR	

CRANKSHAFT

CRANKSHAFT



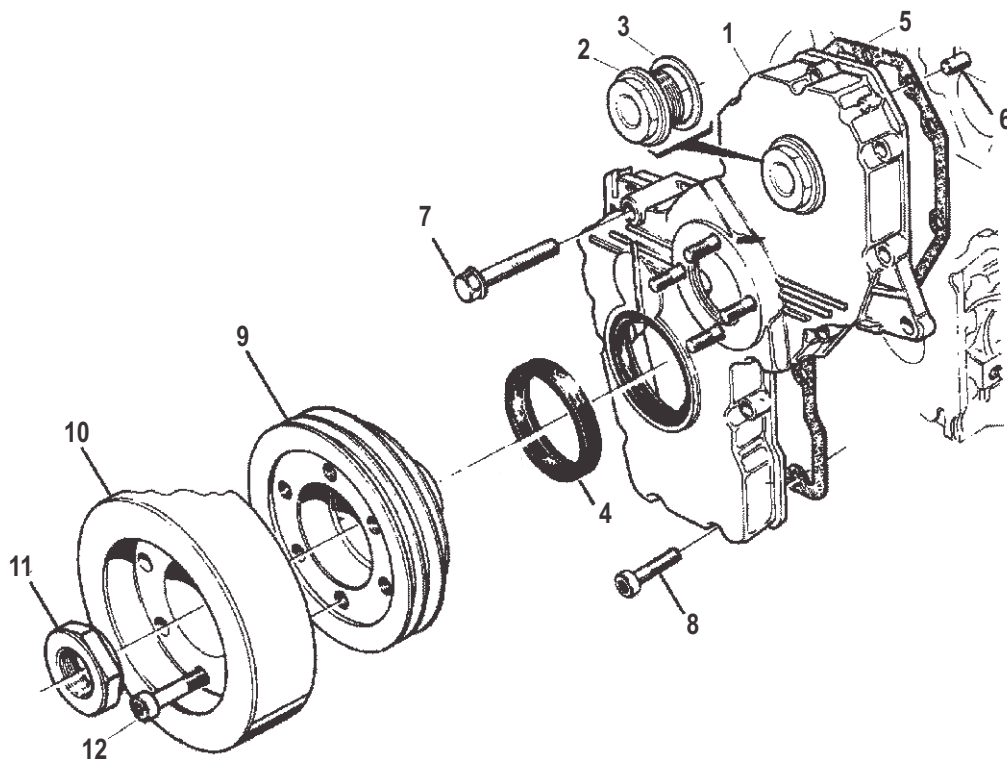
CRANKSHAFT

Ref #	Part Class	Part Number	Description	Comments	Qty	Note
9	0023	884010	BEARING (.50 mm)	(2.8L) [0L098204] & Up	AR	
9	0023	884010	BEARING (.50 mm)	(4.2L) [0L099525] & Up	AR	
10	0000	811379	FLANGE ASSEMBLY		3/5	
11	0017	801331647	PIN		6/10	
12	0010	811382	SCREW (M10 x 90)		6/10	
13	0013	809932110	LOCKWASHER		6/10	
14	0000	854093	NOZZLE		4/6	
15	0000	854094	FLANGE ASSEMBLY Rear	(2.8L) [0L098203] & Below	1	
15	0000	854094	FLANGE ASSEMBLY Rear	(4.2L) [0L099524] & Below	1	
15	0000	884011	FLANGE ASSEMBLY	(2.8L) [0L098204] & Up	1	
15	0000	884011	FLANGE ASSEMBLY	(4.2L) [0L099525] & Up	1	
16	0017	809941485	PIN		1	
17	0016	811383	STUD (M8 x 20)		6	
18	0026	811385	SEAL	(2.8L) [0L098203] & Below	1	
18	0026	811385	SEAL	(4.2L) [0L099524] & Below	1	
18	0026	884012	SEAL	(2.8L) [0L098204] & Up	1	
18	0026	884012	SEAL	(4.2L) [0L099525] & Up	1	
19	0025	801331654	O-RING	(2.8L) [0L098203] & Below	1	[1]
19	0025	801331654	O-RING	(4.2) [0L099524] & Below	1	[2]
19	0025	884028001	O-RING	(2.8L) [0L098204] & Up	1	
19	0025	884028001	O-RING	(4.2L) [0L099525] & Up	1	
20	0012	4002217	WASHER		6	
21	0013	811384	LOCKWASHER (M8)		6	
22	0011	854037	NUT (M8)		6	
-	0027	855451	GASKET SET Overhaul	(2.8L) [0K144109] THRU [0L098058]	1	
-	0027	879684	GASKET SET Overhaul	(2.8L) [0L098059] & Up	1	
-	0027	855448	GASKET SET Overhaul	(4.2L) [0K144114] THRU [0L0980231]	1	
-	0027	881742	GASKET SET Overhaul	(4.2L) [0L0980232] & Up	1	

PART NOTES:

- [1] - COMPONENT OF OVERHAUL GASKET SET 855451
COMPONENT OF OVERHAUL GASKET SET 879684
- [2] - COMPONENT OF OVERHAUL GASKET SET 855488
COMPONENT OF OVERHAUL GASKET SET 881742

FRONT COVER



12767

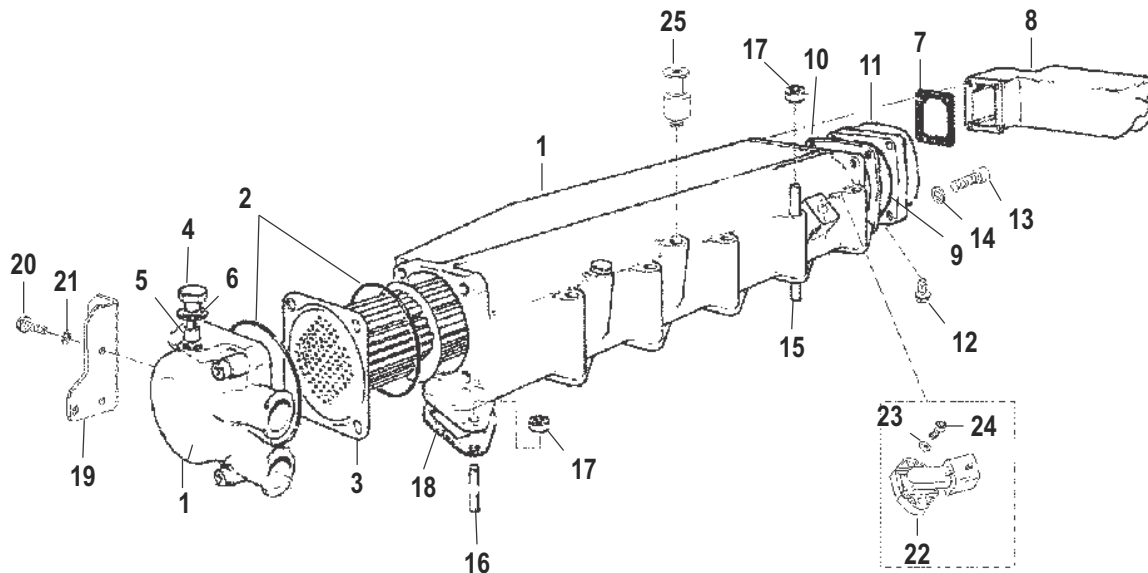
FRONT COVER

Ref #	Part Class	Part Number	Description	Comments	Qty	Note
1	0000	855464	COVER ASSEMBLY	(2.8L)	1	
1	0000	854095	COVER ASSEMBLY	(4.2L)	1	
2	0000	854097	COVER		1	
3	0012	854098	WASHER		1	[1]
4	0026	881789	SEAL		1	
5	0027	854096	GASKET		1	[1]
6	0017	801331212	PIN		2	
7	0010	855465	SCREW (M8 x 60)		1	
8	0010	811422	SCREW (M6 x 35)		13	
9	0000	850420A1	PULLEY (INCLUDES KEY)		1	
10	0000	809590	VIBRATION DAMPER		1	
11	0011	811421	NUT		1	
12	0010	811423	SCREW (M10 x 45)		6	
-	0027	855451	GASKET SET Overhaul	(2.8L) [0K144109] THRU [0L098058]	1	
-	0027	879684	GASKET SET Overhaul	(2.8L) [0L098059] & Up	1	
-	0027	855448	GASKET SET Overhaul	(4.2L) [0K144114] THRU [0L0980231]	1	
-	0027	881742	GASKET SET Overhaul	(4.2L) [0L098032] & Up	1	

PART NOTES:

- [1] - COMPONENT OF OVERHAUL GASKET SET 855451
COMPONENT OF OVERHAUL GASKET SET 855488
COMPONENT OF OVERHAUL GASKET SET 879684
COMPONENT OF OVERHAUL GASKET SET 881742

AIR COOLER



14236

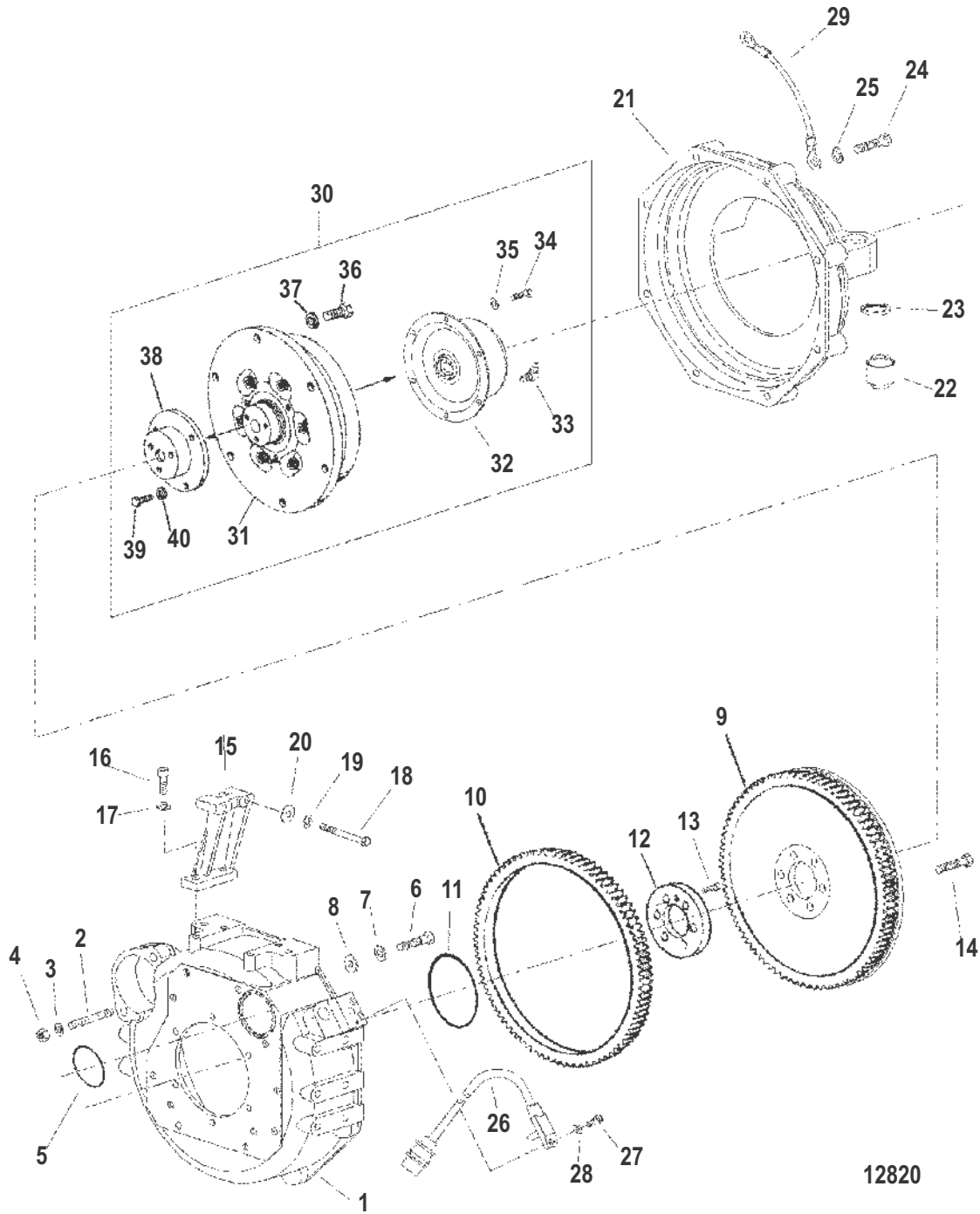
AIR COOLER

Ref #	Part Class	Part Number	Description	Comments	Qty	Note
1	0000	879708	COOLER Air	(2.8L)	1	
1	0000	879709	COOLER Air	(4.2L)	1	
2	0025	811485	O-RING		2	
3	0000	855521	RADIATOR INSERT	(2.8L)	1	
3	0000	854182	RADIATOR INSERT	(4.2L)	1	
4	0010	811487	PLUG Anode Assembly		1	
5	0000	816000	ANODE		1	
6	0012	811483	WASHER		1	
7	0027	854214	GASKET		1	
8	0000	854216	HOUSING		1	
9	0025	811485	O-RING		2	
10	0000	855522	PLATE	(2.8L)	1	
10	0000	809726	PLATE	(4.2L)	1	
11	0000	855523	COVER	(2.8L)	1	
11	0000	854217	COVER	(4.2L)	1	
12	0010	803607	PLUG		1	
13	0010	809724	SCREW (M8 x 35)		8	
14	0013	811460	LOCKWASHER		12	
15	0016	855467	STUD (M8 x 105)	(2.8L)	3	
15	0016	850418	STUD (M8 x 115)	(4.2L)	5	
16	0016	850419	STUD (M8 x 22)		5/7	
17	0011	854037	NUT (M8)		8/12	
18	0027	854101	GASKET		4/6	[1]
19	0000	854203	LIFTING EYE		1	
20	0010	854118	SCREW (M8 x 20)		2	
21	0013	811384	LOCKWASHER (M8)		2	
22	0000	854102	SENSOR		1	
23	0012	854103	WASHER		2	
24	0010	854104	SCREW (M5 x 20)		2	
25	0023	854019	SPACER		1	
-	0027	855451	GASKET SET Overhaul	(2.8L) [0K144109] THRU [0L098058]	1	
-	0027	879684	GASKET SET Overhaul	(2.8L) [0L098059] & Up	1	
-	0027	855448	GASKET SET Overhaul	(4.2L) [0K144114] THRU [0L098031]	1	
-	0027	881742	GASKET SET Overhaul	(4.2L) [0L098032] & Up	1	

PART NOTES:

- [1] - COMPONENT OF OVERHAUL GASKET SET 855451
COMPONENT OF OVERHAUL GASKET SET 855488
COMPONENT OF OVERHAUL GASKET SET 879684
COMPONENT OF OVERHAUL GASKET SET 881742

FLYWHEEL HOUSING (STERN DRIVE)



12820

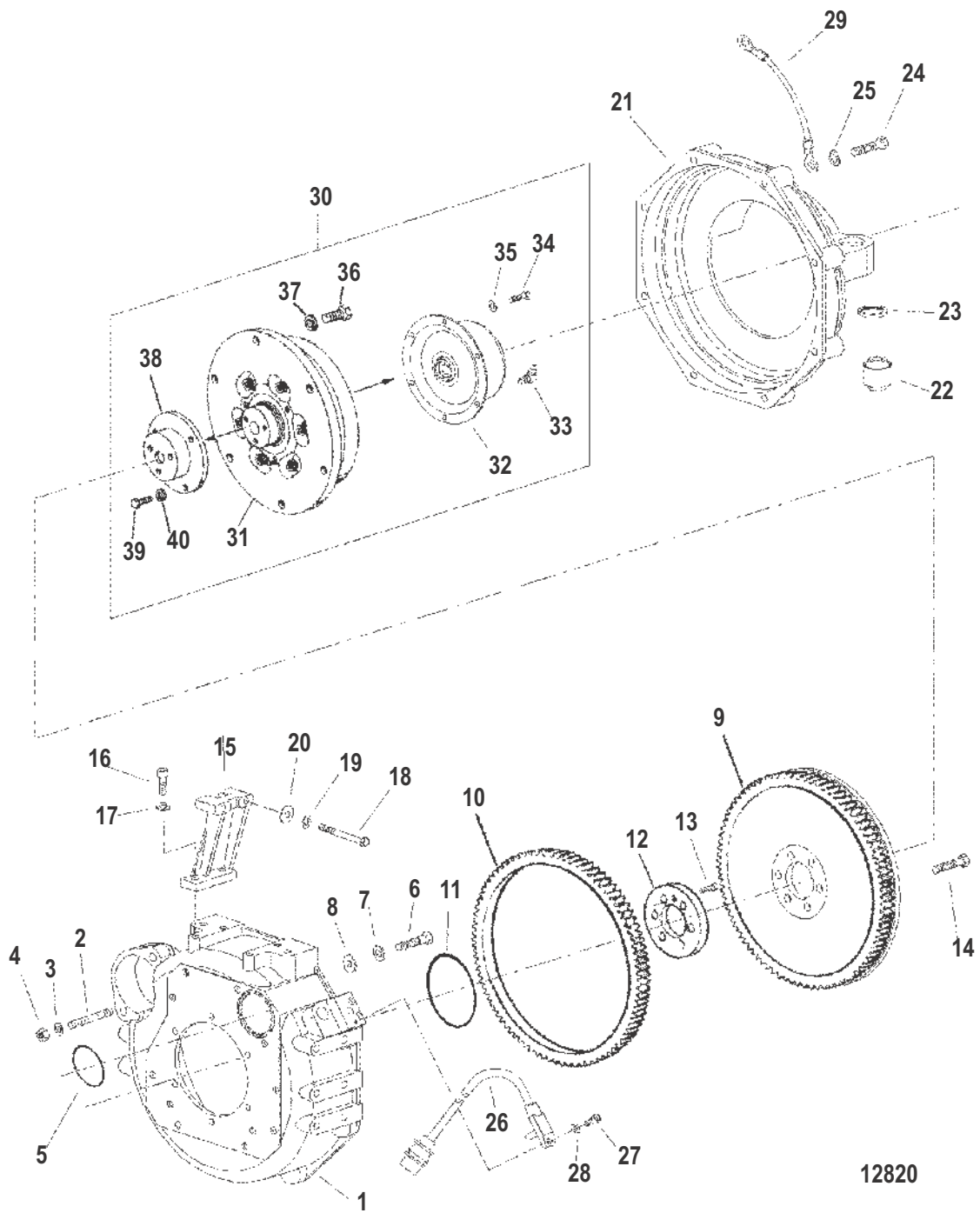
FLYWHEEL HOUSING (STERN DRIVE)

FLYWHEEL HOUSING (STERN DRIVE)

Ref #	Part Class	Part Number	Description	Comments	Qty	Note
1	0000	879710	HOUSING		1	
2	0016	809908402	STUD		2	
3	0013	811408	LOCKWASHER		2	
4	0011	811458	NUT		2	
5	0025	801331619	O-RING		1	[1]
6	0010	854106	SCREW (M10 x 25)		9	
7	0013	809932112	LOCKWASHER		9	
8	0012	811459	WASHER		9	
9	0265	855468	FLYWHEEL	(2.8L)	1	
9	0265	854107	FLYWHEEL	(4.2L)	1	
10	0043	801331701	RING GEAR		1	
11	0025	811498	O-RING	(2.8L) [0L098203] & Below	1	[2]
11	0025	811498	O-RING	(4.2L) [0L099524] & Below	1	[3]
11	0025	884028	O-RING	(2.8L) [0L098204] & Up	1	
11	0025	884028	O-RING	(4.2L) [0L099525] & Up	1	
12	0000	855452	SPACER	(2.8L)(4.2L) [0L098203] & Below	1	
12	0000	855452	SPACER	(4.2L) [0L099524] & Below	1	
12	0000	889030	SPACER Flywheel	(2.8L) [0L098204] & Up	1	
12	0000	889030	SPACER Flywheel	(4.2L) [0L099525] & Up	1	
13	0010	801331698	SCREW (M4 x 10)		1	
14	0010	879711	SCREW		6	
15	0000	854108	BRACKET		1	
16	0010	811457	SCREW (M10 x 35)		2	
17	0013	809932110	LOCKWASHER		2	
18	0010	811456	SCREW		2	
19	0013	811460	LOCKWASHER		2	
20	0012	811455	WASHER		2	
21	0000	18718A7	HOUSING ASSEMBLY		1	
22	0000	88791T	MOUNT Rubber		2	
23	0023	99322	SPACER		2	
24	0010	40001206	SCREW (M10 x 50)		7	
25	0013	809931076	LOCKWASHER		7	
26	0087	854109	SENSOR Engine RPM		1	
27	0010	854205	SCREW (M6 x 14)		1	
28	0012	811450	WASHER		1	
29	0084	62826A6	CABLE ASSEMBLY Ground (13.00 Inches) Black		1	
30	0000	18311T10	COUPLING ASSEMBLY	(Hub + 2 stage coupler)	1	
31	0000	805735A6	COUPLING ASSEMBLY	(2 Stage Coupler)	1	
32	0000	805684A2	COUPLING		1	
33	0022	49099	FITTING		2	
34	0010	40001189	SCREW (M10 x 20)		6	
35	0013	400248	LOCKWASHER (M10)		6	
36	0010	854155	SCREW (M10 x 30)		6	
37	0013	400248	LOCKWASHER (M10)		6	

FLYWHEEL HOUSING (STERN DRIVE)

FLYWHEEL HOUSING (STERN DRIVE)



12820

FLYWHEEL HOUSING (STERN DRIVE)

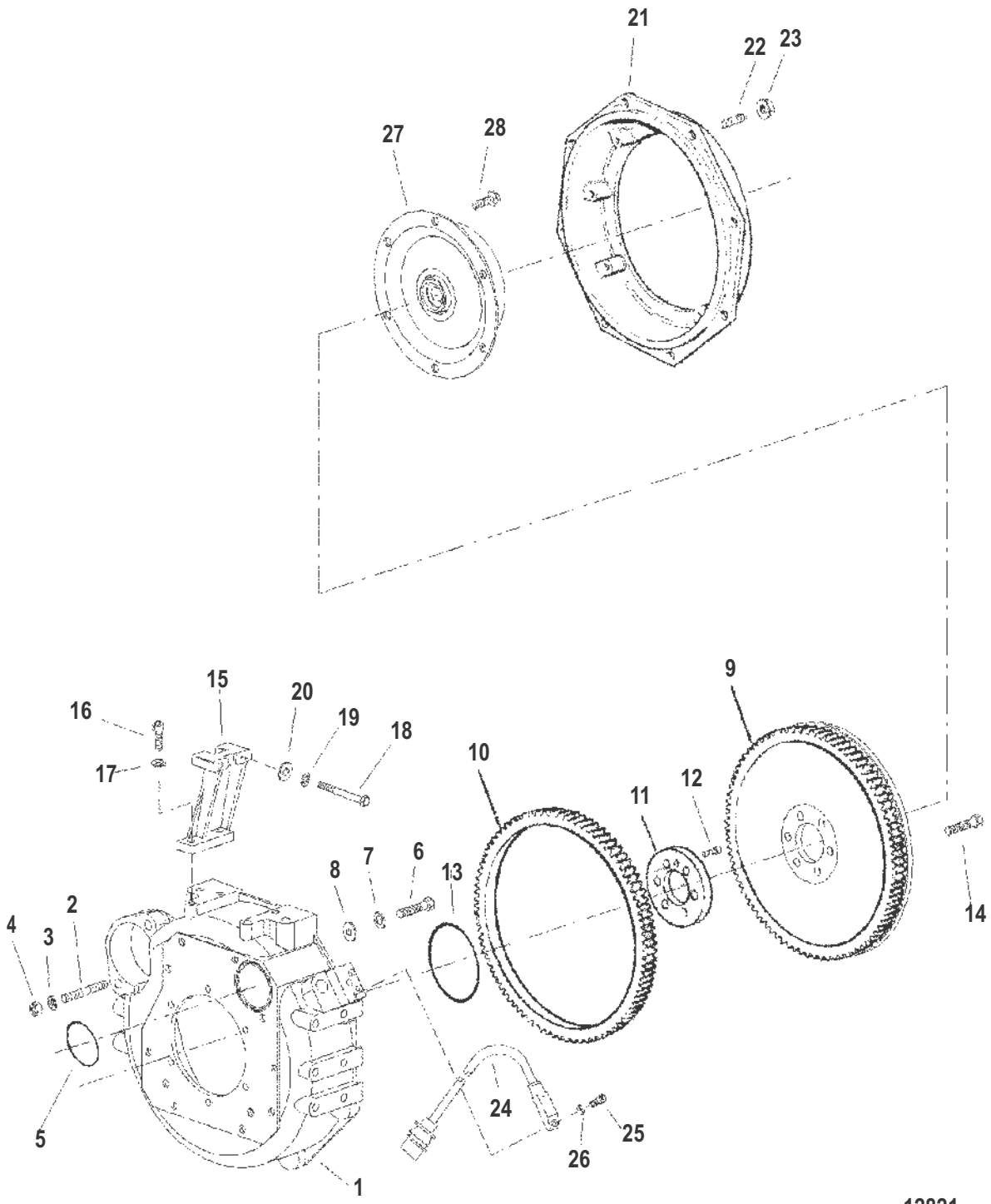
FLYWHEEL HOUSING (STERN DRIVE)

Ref #	Part Class	Part Number	Description	Comments	Qty	Note
38	0000	805731	COUPLER		1	
39	0010	4000175	SCREW (M6 x 20)		6	
40	0013	26992	LOCKWASHER (.250) Stainless Steel		6	
-	0027	855451	GASKET SET Overhaul	(2.8L) [0K144109] THRU [0L098058]	1	
-	0027	879684	GASKET SET Overhaul	(2.8L) [0L098059] & Up	1	
-	0027	855448	GASKET SET Overhaul	(4.2L) [0K144114] THRU [0L098231]	1	
-	0027	881742	GASKET SET Overhaul	(4.2L) [0L098032] & Up	1	

PART NOTES:

- [1] - COMPONENT OF OVERHAUL GASKET SET 855451
 COMPONENT OF OVERHAUL GASKET SET 855488
 COMPONENT OF OVERHAUL GASKET SET 879684
 COMPONENT OF OVERHAUL GASKET SET 881742
- [2] - COMPONENT OF OVERHAUL GASKET SET 855451
 COMPONENT OF OVERHAUL GASKET SET 879684
- [3] - COMPONENT OF OVERHAUL GASKET SET 855488
 COMPONENT OF OVERHAUL GASKET SET 881742

FLYWHEEL HOUSING (INBOARD)



12821

FLYWHEEL HOUSING (INBOARD)

FLYWHEEL HOUSING (INBOARD)

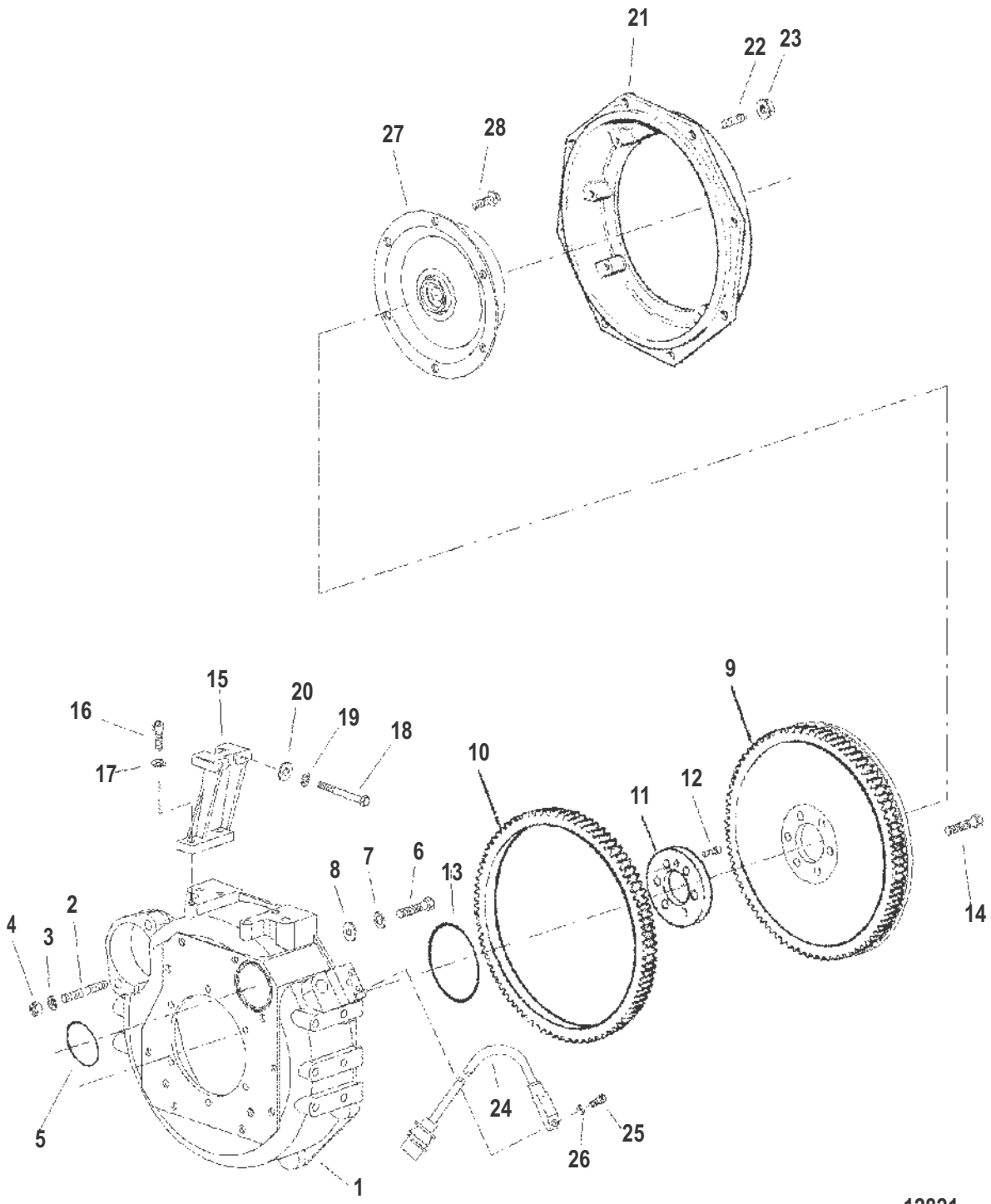
Ref #	Part Class	Part Number	Description	Comments	Qty	Note
1	0000	879710	HOUSING		1	
2	0016	809908402	STUD		2	
3	0013	811408	LOCKWASHER		2	
4	0011	811458	NUT		2	
5	0025	801331619	O-RING		1	[1]
6	0010	854106	SCREW (M10 x 25)		9	
7	0013	809932112	LOCKWASHER		9	
8	0012	811459	WASHER		9	
9	0265	854107	FLYWHEEL		1	
10	0043	801331701	RING GEAR		1	
11	0000	855452	SPACER	(2.8L) [0L098203] & Below	1	
11	0000	855452	SPACER	(4.2L) [0L099524] & Below	1	
11	0000	889030	SPACER Flywheel	(2.8L) [0L098204] & Up	1	
11	0000	889030	SPACER Flywheel	(4.2L) [0L099525] & Up	1	
12	0010	801331698	SCREW (M4 x 10)		1	
13	0025	811498	O-RING	(2.8L) [0L098203] & Below	1	[2]
13	0025	811498	O-RING	(4.2L) [0L099524] & Below	1	[3]
13	0025	884028	O-RING	(2.8L) [0L098204] & Up	1	
13	0025	884028	O-RING	(4.2L) [0L099525] & Up	1	
14	0010	879711	SCREW		6	
15	0000	854108	BRACKET		1	
16	0010	811457	SCREW (M10 x 35)		2	
17	0013	809932110	LOCKWASHER		2	
18	0010	811456	SCREW		2	
19	0013	811460	LOCKWASHER		2	
20	0012	811455	WASHER		2	
21	0000	881787	HOUSING		1	
22	0016	855471	STUD (M10 x 20)		8	
23	0011	854122	NUT (M10)		8	
24	0087	854109	SENSOR Engine RPM		1	
25	0010	854205	SCREW (M6 x 14)		1	
26	0012	811450	WASHER		1	
27	0000	803610	DRIVEPLATE ASSEMBLY		1	
28	0010	855470	SCREW (M10 x 20)		6	
-	0027	855451	GASKET SET Overhaul	(2.8L) [0K144109] THRU [0L098058]	1	
-	0027	879684	GASKET SET Overhaul	(2.8L) [0L098059] & Up	1	
-	0027	855448	GASKET SET Overhaul	(4.2L) [0K144114] THRU [0L098231]	1	
-	0027	881742	GASKET SET Overhaul	(4.2L) [0L098032] & Up	1	

PART NOTES:

- [1] - COMPONENT OF OVERHAUL GASKET SET 855451
COMPONENT OF OVERHAUL GASKET SET 855488
COMPONENT OF OVERHAUL GASKET SET 879684
COMPONENT OF OVERHAUL GASKET SET 881742
- [2] - COMPONENT OF OVERHAUL GASKET SET 855451
COMPONENT OF OVERHAUL GASKET SET 879684

FLYWHEEL HOUSING (INBOARD)

FLYWHEEL HOUSING (INBOARD)



12821

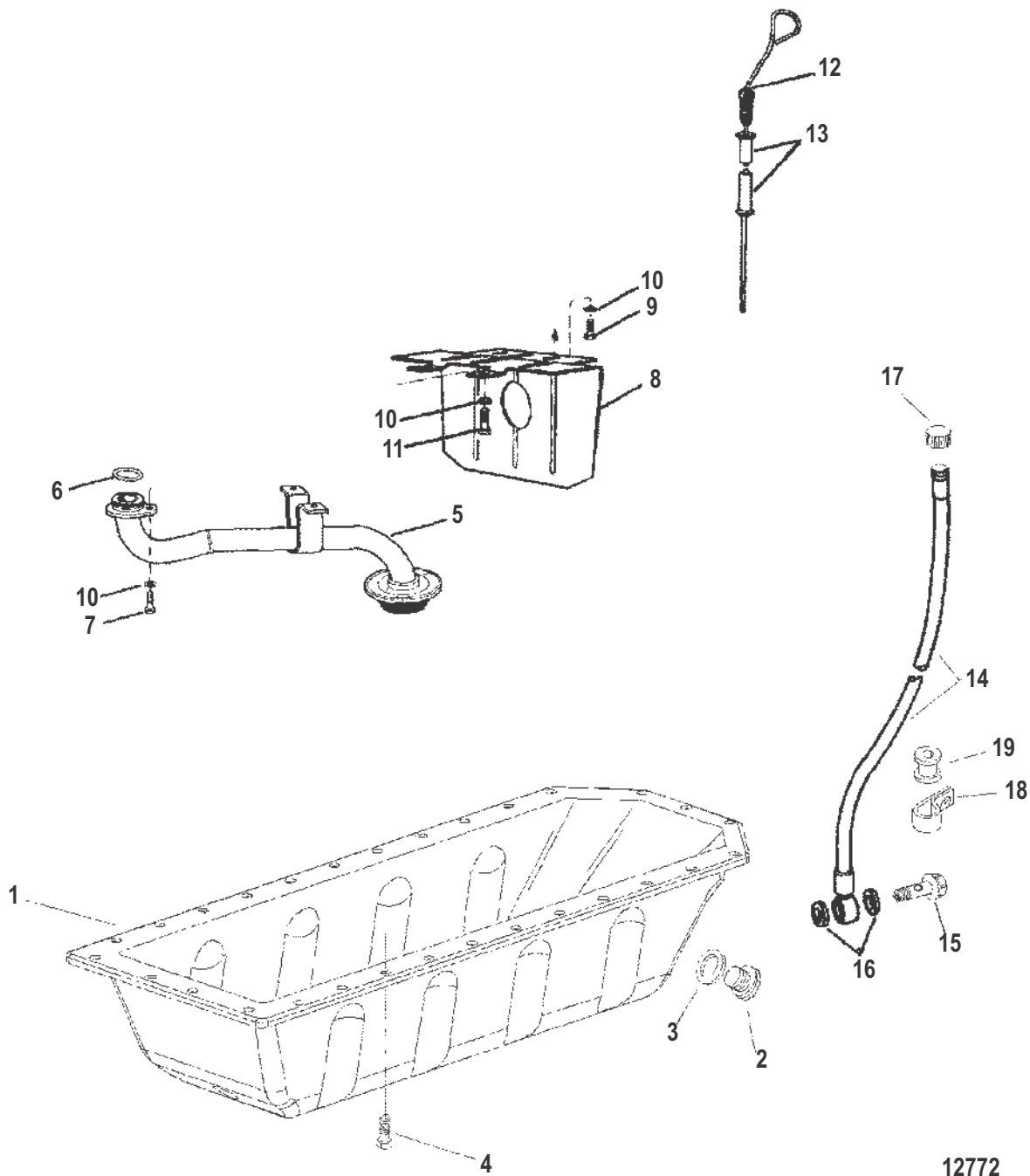
FLYWHEEL HOUSING (INBOARD)

Cat.# 90-854190

FLYWHEEL HOUSING (INBOARD)

- [3] - COMPONENT OF OVERHAUL GASKET SET 855488
- COMPONENT OF OVERHAUL GASKET SET 881742

OIL PAN



12772

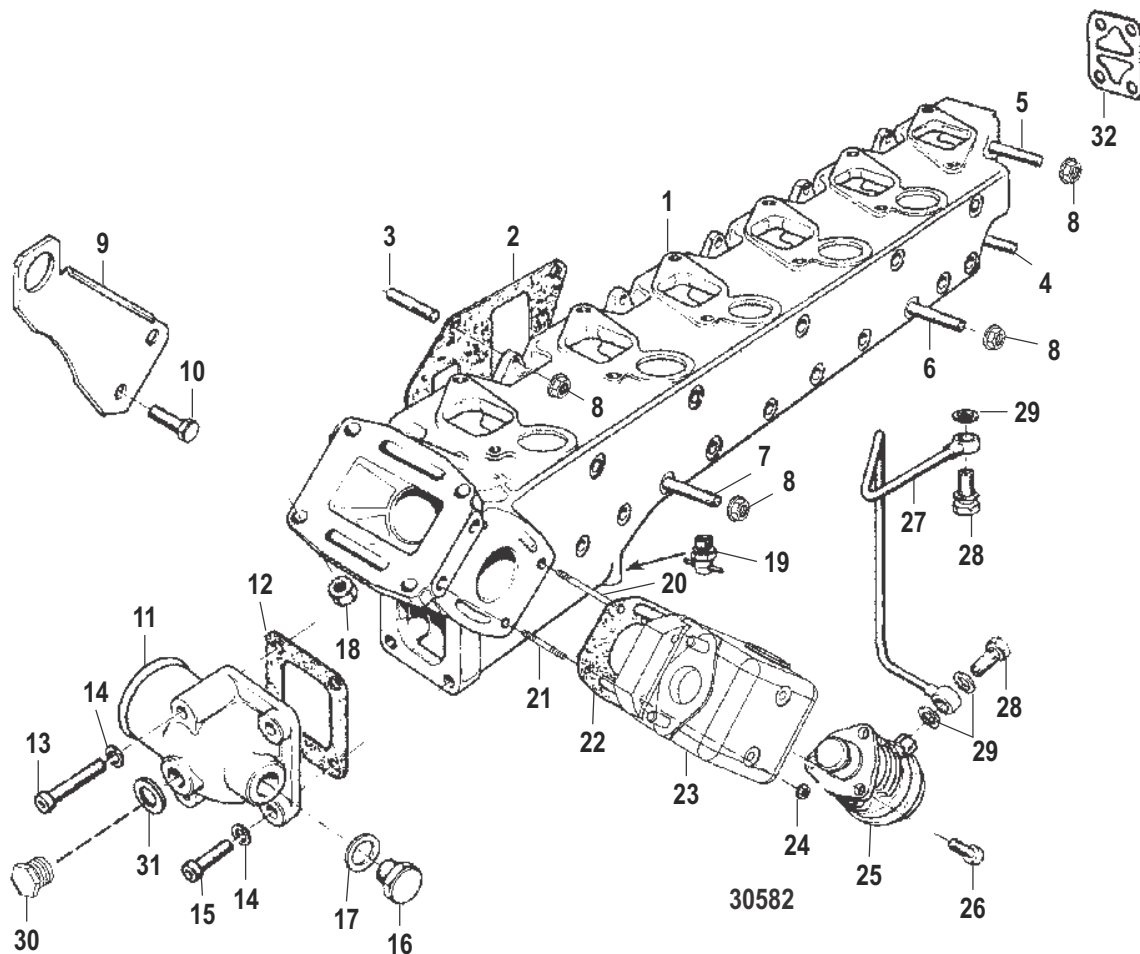
OIL PAN

Ref #	Part Class	Part Number	Description	Comments	Qty	Note
1	0000	855472	PAN Oil	(2.8L)	1	
1	0000	854110	PAN Oil	(4.2L)	1	
NS	0092	809825	RTV SILICONE (3 Ounce Tube) Metallic Blue		1	
2	0010	809919131	SCREW (M22 x 1.5)		2	
3	0012	809963354	WASHER		2	[1]
4	0010	855473	SCREW (M6 x 12)		23/29	
5	0000	855474	TUBE	(2.8L)	1	
5	0000	816554	TUBE	(4.2L)	1	
6	0025	801333415	O-RING		1	[1]
7	0010	809913466	SCREW (M6 x 16)		1	
8	0000	854112	DEFLECTOR		1	
9	0010	854113	SCREW (M6 x 14)		2	
10	0012	809931044	WASHER		5	
11	0010	809913466	SCREW (M6 x 16)		2	
12	0000	855476	DIPSTICK	(2.8L)	1	
12	0000	854114	DIPSTICK	(4.2L)	1	
13	0000	855477	TUBE	(2.8L)	1	
13	0000	854115	TUBE	(4.2L)	1	
14	0032	807226	HOSE		1	
15	0010	811410	SCREW (M14)		1	
16	0012	809963201	WASHER		2	[1]
17	0000	807011	CAP		1	
18	0054	811467	CLIP		1	
19	0025	854052	SLEEVE		1	
-	0027	855451	GASKET SET Overhaul	(2.8L) [0K144109] THRU [0L098058]	1	
-	0027	879684	GASKET SET Overhaul	(2.8L) [0L098059] & Up	1	
-	0027	855448	GASKET SET Overhaul	(4.2L) [0K144114] THRU [0L098231]	1	
-	0027	881742	GASKET SET Overhaul	(4.2L) [0L098032] & Up	1	

PART NOTES:

- [1] - COMPONENT OF OVERHAUL GASKET SET 855451
COMPONENT OF OVERHAUL GASKET SET 855488
COMPONENT OF OVERHAUL GASKET SET 879684
COMPONENT OF OVERHAUL GASKET SET 881742

EXHAUST MANIFOLD



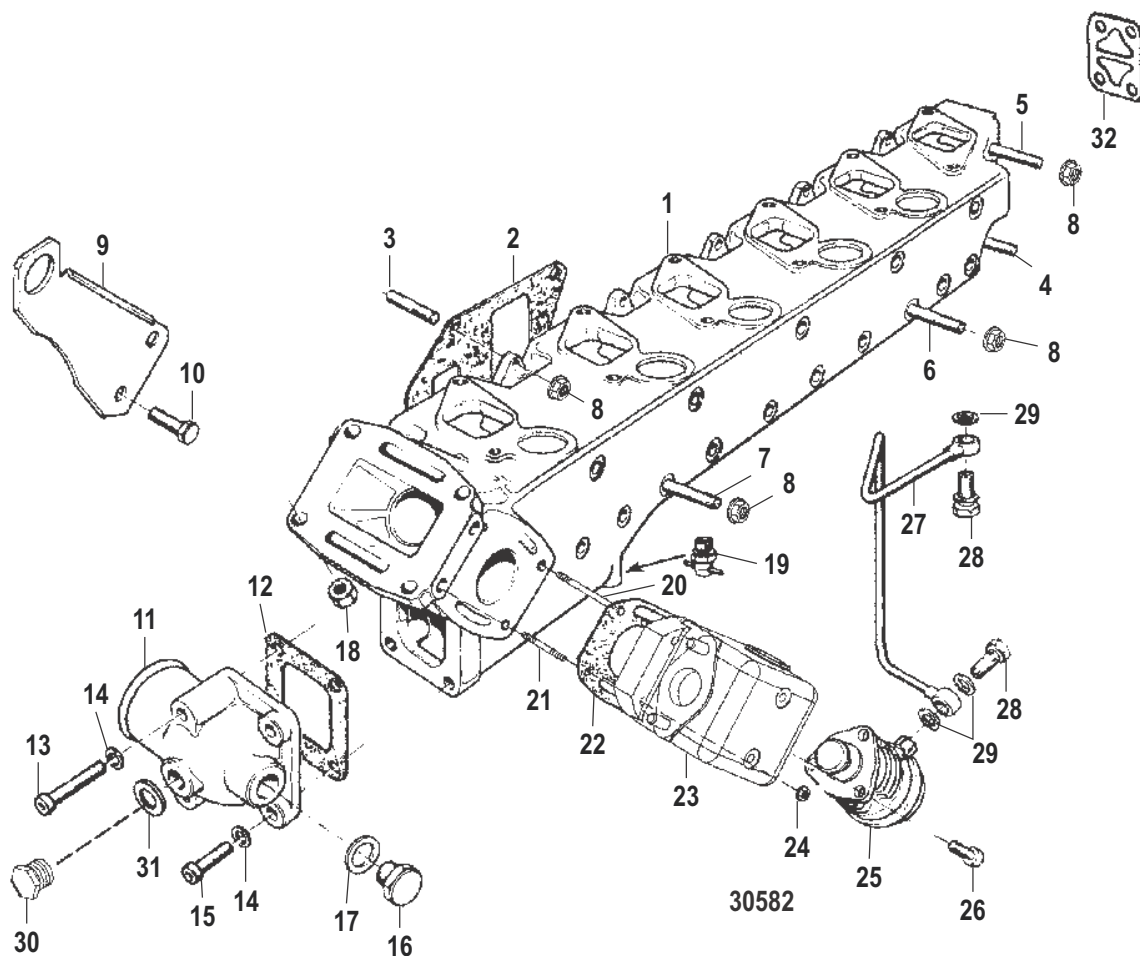
EXHAUST MANIFOLD

EXHAUST MANIFOLD

Ref #	Part Class	Part Number	Description	Comments	Qty	Note
1	0000	879717	MANIFOLD Exhaust	(2.8L)	1	
1	0000	854116T	MANIFOLD	(4.2L)	1	
2	0027	854117	GASKET Exhaust Manifold	(2.8L)	4	[1]
2	0027	854117	GASKET Exhaust Manifold	(4.2L)	6	[2]
3	0016	811383	STUD (M8 x 20)		4/6	
4	0016	801763451	STUD (M8 x 70)		1	
5	0016	801333451	STUD (M8 x 90)		1	
6	0016	806678	STUD (M8 x 150)		7/13	
7	0016	801333448	STUD (M8 x 140)		3	
8	0011	854037	NUT (M8)		16/24	
9	0000	881716	LIFTING EYE		1	
10	0010	854118	SCREW (M8 x 20)		2	
11	0000	854119	COVER		1	
12	0027	854120	GASKET		1	[3]
13	0010	854121	SCREW (M6 x 60)		2	
14	0012	811450	WASHER		4	
15	0010	809919926	SCREW (M6 x 25)		2	
16	0010	809919131	SCREW (M22 x 1.5)		1	
17	0012	809963354	WASHER		1	
18	0011	854122	NUT (M10)		4	
19	0022	801331684	FITTING Drain		1	
20	0016	854123	STUD (M6)		2	
21	0016	854124	STUD (M6 x 25)		2	
22	0027	879720	GASKET		1	[3]
23	0000	854125	WASTEGATE		1	
24	0011	854032	NUT (M6)		4	
25	0000	855479	VALVE	(2.8L)	1	
25	0000	854126	VALVE	(4.2L)	1	
26	0010	809919621	SCREW		3	
27	0032	811444	LINE		1	
28	0010	801761165	BOLT Banjo (M8 x 1.00)		2	
29	0025	809963042	O-RING		4	[3]
30	0010	809919114	PLUG		1	
31	0012	809963201	WASHER		1	[3]
32	0027	854127	GASKET		1	[3]
-	0027	855451	GASKET SET Overhaul	(2.8L) [0K144109] THRU [0L098058]	1	
-	0027	879684	GASKET SET Overhaul	(2.8L) [0L098059] & Up	1	
-	0027	855448	GASKET SET Overhaul	(4.2L) [0K144114] THRU [0L098231]	1	
-	0027	881742	GASKET SET Overhaul	(4.2L) [0L098032] & Up	1	
-	0027	855450	GASKET SET Cylinder Head	(2.8L) [0K144109] THRU [0L098058]	1	
-	0027	883962	GASKET SET Cylinder Head	(2.8L) [0L098059] & Up	1	
-	0027	855449	GASKET SET Cylinder Head	(4.2L) [0K144114] THRU [0L098231]	1	
-	0027	881743	GASKET SET Cylinder Head	(4.2L) [0L0980232] & Up	1	

EXHAUST MANIFOLD

EXHAUST MANIFOLD



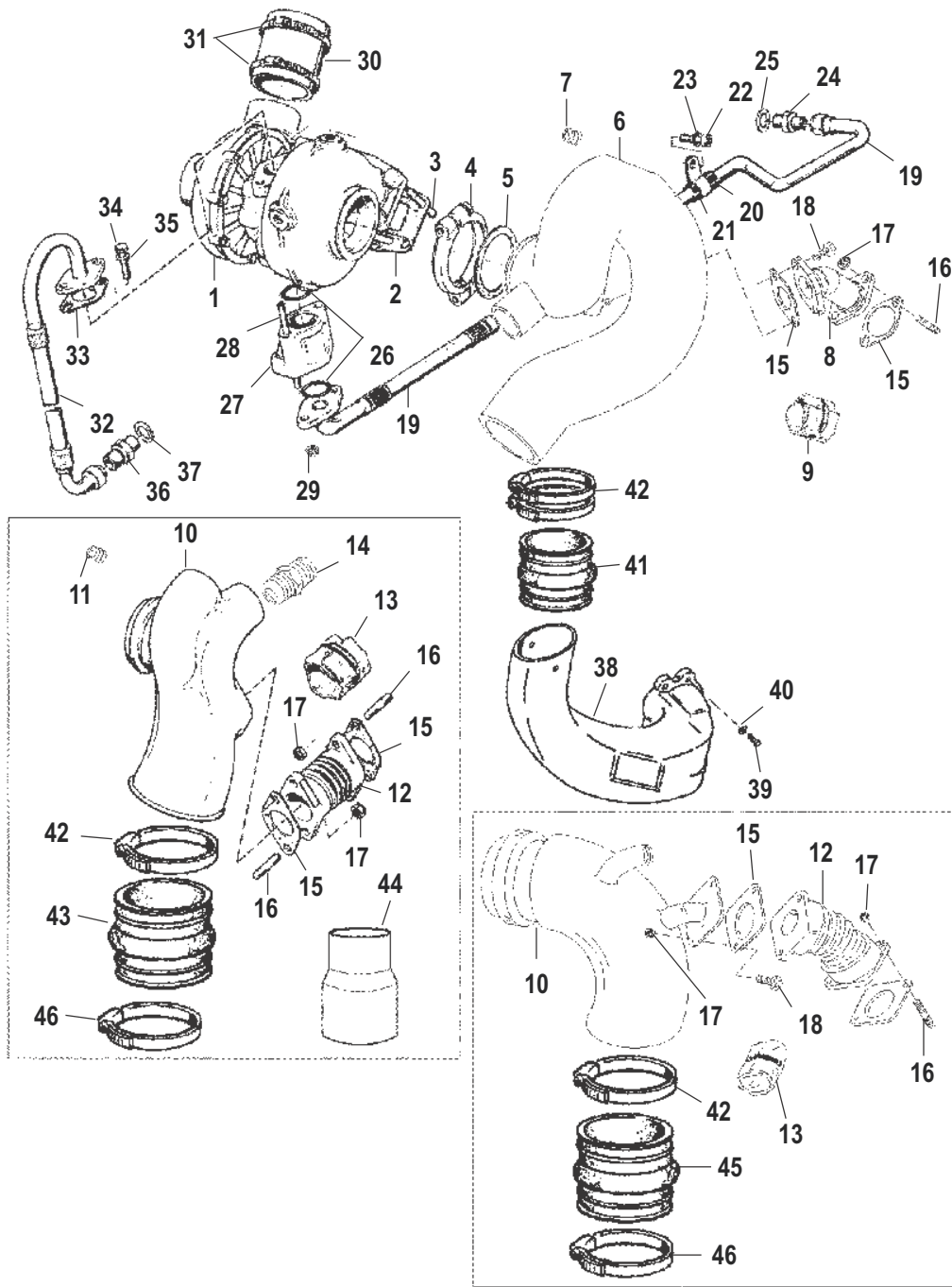
EXHAUST MANIFOLD

EXHAUST MANIFOLD

PART NOTES:

- [1] - COMPONENT OF OVERHAUL GASKET SET 855451
COMPONENT OF OVERHAUL GASKET SET 879684
COMPONENT OF CYLINDER HEAD GASKET SET855450
COMPONENT OF CYLINDER HEAD GASKET SET883962
- [2] - COMPONENT OF OVERHAUL GASKET SET 855488
COMPONENT OF OVERHAUL GASKET SET 881742
COMPONENT OF CYLINDER HEAD GASKET SET855449
COMPONENT OF CYLINDER HEAD GASKET SET881743
- [3] - COMPONENT OF OVERHAUL GASKET SET 855451
COMPONENT OF OVERHAUL GASKET SET 855488
COMPONENT OF OVERHAUL GASKET SET 879684
COMPONENT OF OVERHAUL GASKET SET 881742

TURBO CHARGER/EXHAUST ELBOW



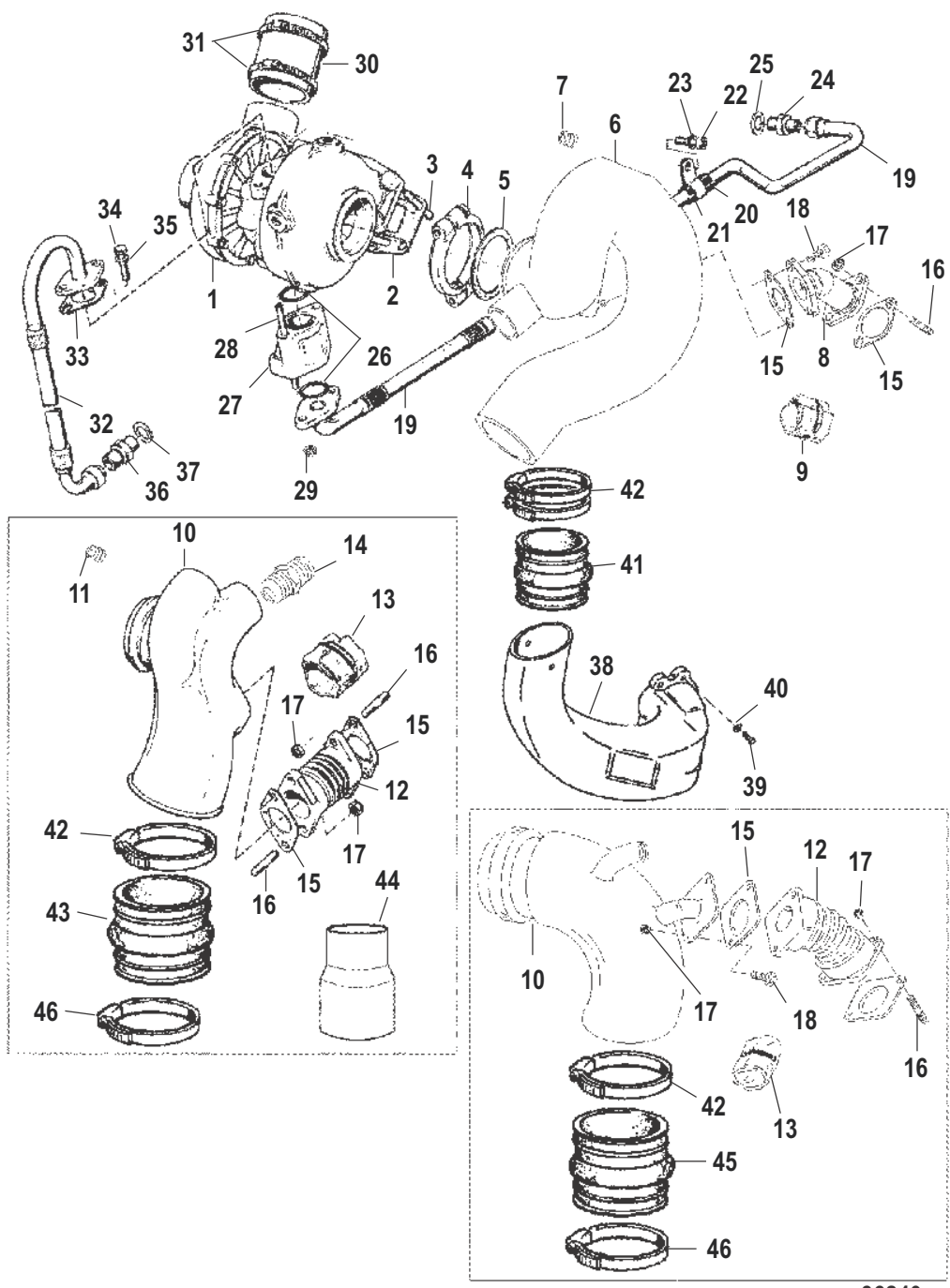
36240

TURBO CHARGER/EXHAUST ELBOW

Ref #	Part Class	Part Number	Description	Comments	Qty	Note
1	0000	854212	TURBOCHARGER	(2.8L)	1	
1	0000	854128	TURBOCHARGER	(4.2L)	1	
2	0027	854129	GASKET		1	[1]
3	0016	801333453	STUD (M10 x 30)		4	
4	0054	801763272	CLAMP		1	
5	0027	817089	GASKET		1	[1]
6	0000	805265A1	ELBOW Exhaust	(STERNDRIVE)	1	
7	0022	36382	FITTING (.250-18 x .62) Brass	(STERNDRIVE)	1	
8	0000	807049T	FLEX TUBE	(STERNDRIVE)	1	
9	0000	855483	BLANKET	(STERNDRIVE)	1	
10	0000	805602A2	ELBOW Exhaust	(INBOARD DESIGN 1)	1	
10	0000	803608	ELBOW 65 Degree Exhaust	(65 DEG. DOWN ANGLE)(INBOARD DESIGN 2)	1	
10	0000	803609	ELBOW Exhaust (33 Degree)	(DOWN ANGLE)(INBOARD DESIGN 2)	1	
11	0022	91016	PLUG	(INBOARD DESIGN 1)	1	
12	0000	807050T	FLEX TUBE	(INBOARD DESIGN 1)	1	
12	0000	855482	FLEX TUBE	(INBOARD DESIGN 2)	1	
13	0000	817078	BLANKET	(INBOARD DESIGN 1)	1	
13	0000	855483	BLANKET	(INBOARD DESIGN 2)	1	
14	0022	805315	CONNECTOR	(INBOARD DESIGN 1)	1	
15	0027	879721	GASKET		2	[1]
16	0016	811383	STUD (M8 x 20)		2	
17	0011	854037	NUT (M8)		2	
18	0010	854118	SCREW (M8 x 20)	(STERNDRIVE)	2	
18	0010	855520	SCREW (M8 x 25)	(INBOARD DESIGN 2)	2	
19	0032	855480	PIPE	(2.8L)	1	
19	0032	854130	PIPE	(4.2L)	1	
20	0023	811466	SLEEVE		1	
21	0054	811467	CLIP		1	
22	0010	811463	SCREW		1	
23	0013	811460	LOCKWASHER		1	
24	0022	801333464	FITTING		1	
25	0025	809963342	O-RING		1	[1]
26	0025	811461	O-RING		2	[1]
27	0000	854131	HOUSING		1	
28	0016	801333451	STUD (M8 x 90)		2	
29	0011	854037	NUT (M8)		2	
30	0032	891889	HOSE		1	
31	0054	811435	CLAMP		2	
32	0032	854132	PIPE		1	
33	0027	854133	GASKET		1	[1]
34	0010	811448	SCREW		2	
35	0013	811460	LOCKWASHER		2	
36	0022	801763389	FITTING		1	

TURBO CHARGER/EXHAUST ELBOW

TURBO CHARGER/EXHAUST ELBOW



36240

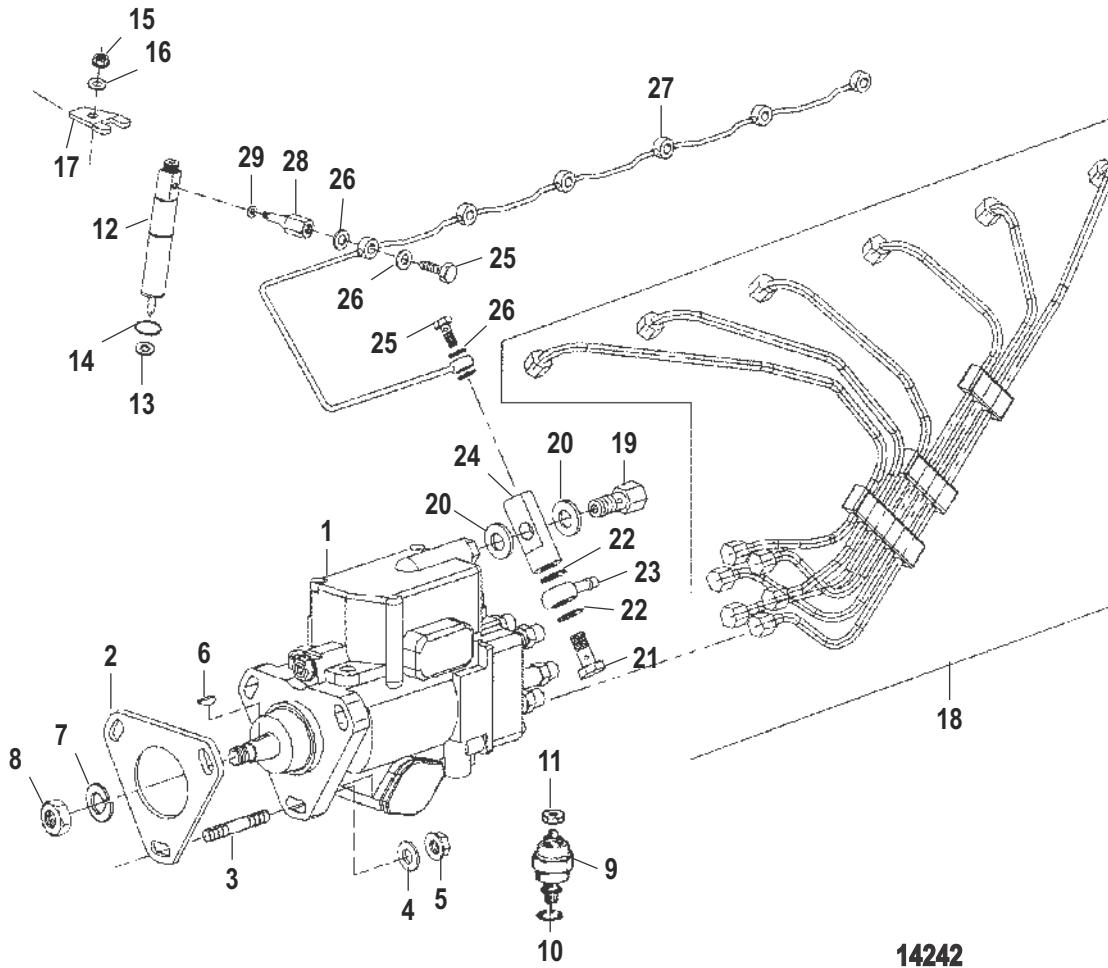
TURBO CHARGER/EXHAUST ELBOW

Ref #	Part Class	Part Number	Description	Comments	Qty	Note
37	0012	809963201	WASHER		1	[1]
38	0000	805013T1	PIPE Exhaust	(STERNDRIVE)	1	
39	0010	58640	SCREW (.375-16 x 1.25)	(STERNDRIVE)	4	
40	0013	41471	LOCKWASHER (.375)	(STERNDRIVE)	4	
41	0032	44348T	TUBE	(STERNDRIVE)	1	
42	0054	815504272	CLAMP Worm Gear		2	
43	0032	815529	TUBE Exhaust	(INBOARD DESIGN 1)	1	
44	0000	818184T	ADAPTER Exhaust	(INBOARD DESIGN 1)	1	
45	0032	860602	TUBE Exhaust	(INBOARD DESIGN 2)	1	
46	0054	815504272	CLAMP Worm Gear		2	
-	0027	855451	GASKET SET Overhaul	(2.8L) [0K098059] THRU [0L098059]	1	
-	0027	879684	GASKET SET Overhaul	(2.8L) [0L098059] & Up	1	
-	0027	855448	GASKET SET Overhaul	(4.2L) [0K144114] THRU [0L098231]	1	
-	0027	881742	GASKET SET Overhaul	(4.2L) [0L098032] & Up	1	

PART NOTES:

- [1] - COMPONENT OF OVERHAUL GASKET SET 855451
COMPONENT OF OVERHAUL GASKET SET 855488
COMPONENT OF OVERHAUL GASKET SET 879684
COMPONENT OF OVERHAUL GASKET SET 881742

INJECTION PUMP, NOZZLE AND LINES



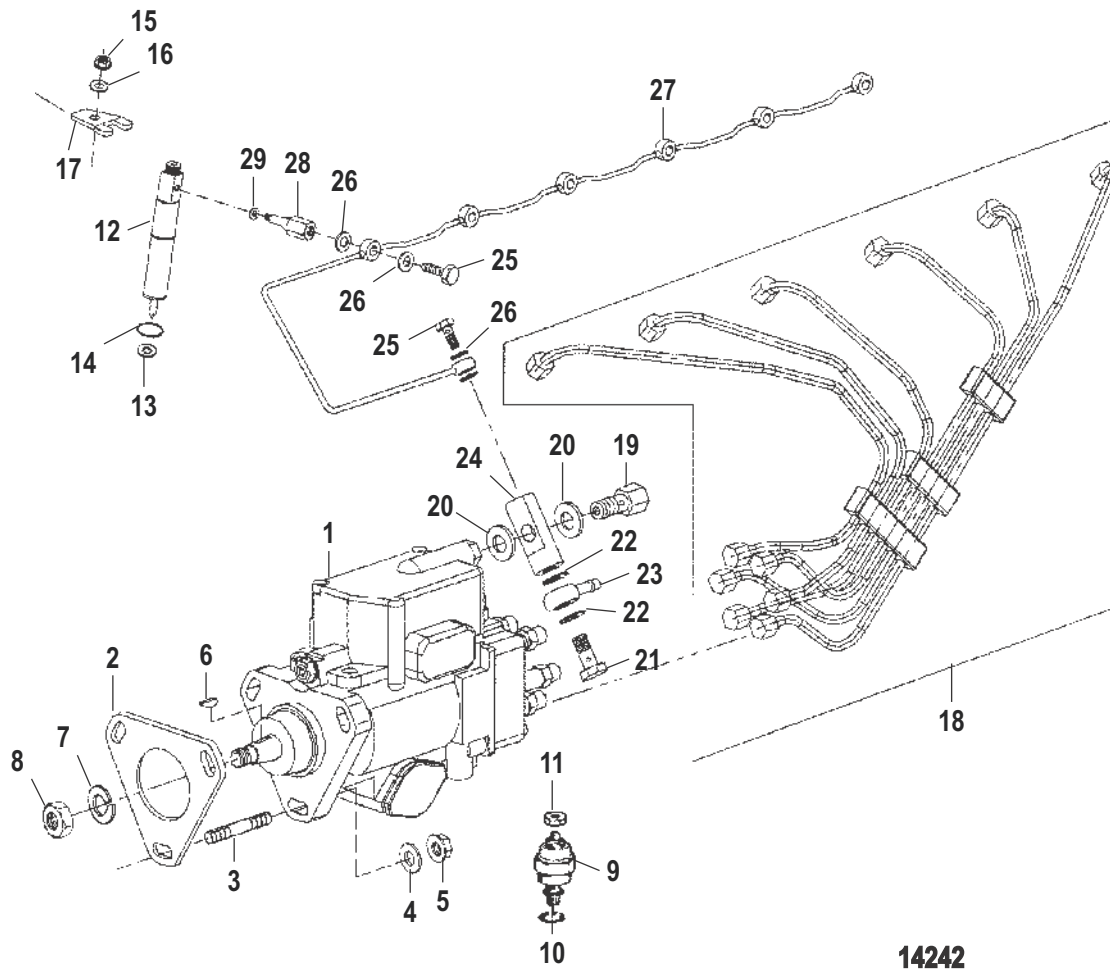
14242

INJECTION PUMP, NOZZLE AND LINES

Ref #	Part Class	Part Number	Description	Comments	Qty	Note
1	0000	854213	PUMP Injection	(2.8L)	1	
1	0000	854134	PUMP Injection	(4.2L)	1	
2	0027	801765017	GASKET		1	[1]
3	0016	854135	STUD (M8 x 30)		3	
4	0012	811409	WASHER		3	
5	0011	854037	NUT (M8)		3	
6	0028	854136	KEY		1	
7	0013	811482	LOCKWASHER		1	
8	0011	854137	NUT		1	
9	0000	803623	VALVE		1	
10	0012	811407	WASHER		1	
11	0011	809922038	NUT		1	
12	0000	854138	INJECTION NOZZLE		3/5	
12	0000	802654	INJECTION NOZZLE (#1 CYLINDER)		1	
13	0027	854142	GASKET Injector Nozzle	(2.8L)	4	[2]
13	0027	854142	GASKET Injector Nozzle	(4.2L)	6	[3]
14	0025	854143	O-RING	(2.8L)	4	[2]
14	0025	854143	O-RING	(4.2L)	6	[3]
15	0011	854037	NUT (M8)		4/6	
16	0012	811455	WASHER		4/6	
17	0000	854140	BRACKET		4/6	
18	0032	855484	PRESSURE PIPES ASSEMBLY	(2.8L)	1	
18	0032	855383	PRESSURE PIPES ASSEMBLY	(4.2L)	1	
19	0010	801761166	SCREW		1	
20	0025	809963129	WASHER		2	[1]
21	0010	811410	SCREW (M14)		1	
22	0012	809963201	WASHER		2	[1]
23	0000	801763843	FITTING		1	
24	0000	801761163	CONNECTOR Return		1	
25	0010	801761165	BOLT Banjo (M8 x 1.00)		5/7	
26	0025	809963042	O-RING	(2.8L)	10	[2]
26	0025	809963042	O-RING	(4.2L)	14	[3]
27	0032	855485	PIPE	(2.8L)	1	
27	0032	854141	PIPE	(4.2L)	1	
28	0022	879704	ADAPTER Injector Nozzle		4/6	
29	0012	811411	WASHER Sealing	(2.8L)	6	[2]
29	0012	811411	WASHER Sealing	(4.2L)	4	[3]
-	0027	855451	GASKET SET Overhaul	(2.8L) [0K144109] THRU [0L098058]	1	
-	0027	879684	GASKET SET Overhaul	(2.8L) [0L098059] & Up	1	
-	0027	855448	GASKET SET Overhaul	(4.2L) [0K144114] THRU [0L098231]	1	
-	0027	881742	GASKET SET Overhaul	(4.2L) [0L098032] & Up	1	
-	0027	855450	GASKET SET Cylinder Head	(2.8L) [0K144109] THRU [0L098058]	1	
-	0027	883962	GASKET SET Cylinder Head	(2.8L) [0L098059] & Up	1	

INJECTION PUMP, NOZZLE AND LINES

INJECTION PUMP, NOZZLE AND LINES



14242

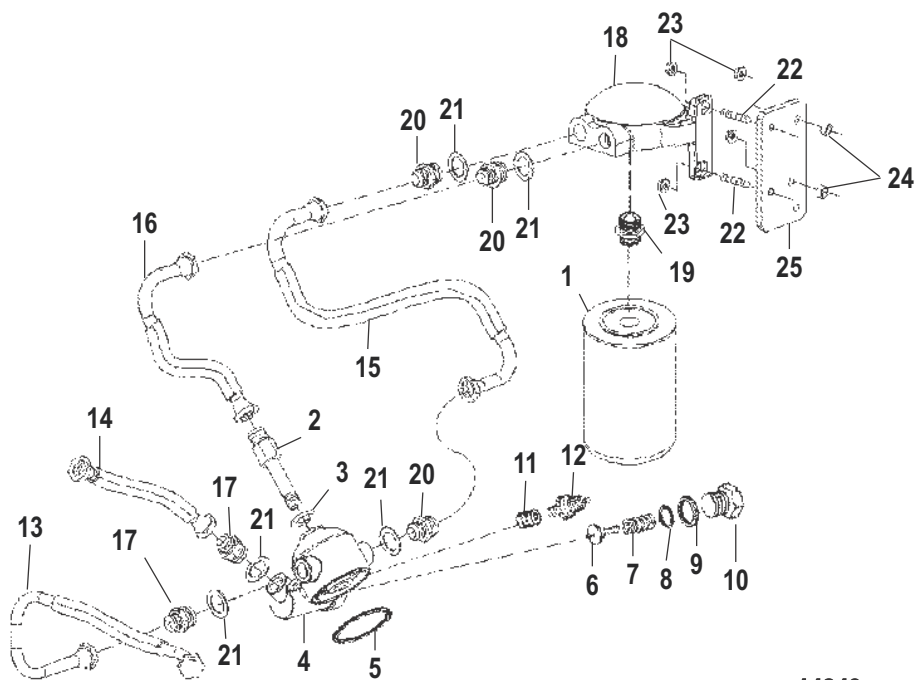
INJECTION PUMP, NOZZLE AND LINES

Ref #	Part Class	Part Number	Description	Comments	Qty	Note
-	0027	855449	GASKET SET Cylinder Head	(4.2L) [0K144114] THRU [0L098231]	1	
-	0027	881743	GASKET SET Cylinder Head	(4.2L) [0L0980232] & Up	1	

PART NOTES:

- [1] - COMPONENT OF OVERHAUL GASKET SET 855451
 COMPONENT OF OVERHAUL GASKET SET 855488
 COMPONENT OF OVERHAUL GASKET SET 879684
 COMPONENT OF OVERHAUL GASKET SET 881742
- [2] - COMPONENT OF OVERHAUL GASKET SET 855451
 COMPONENT OF OVERHAUL GASKET SET 879684
 COMPONENT OF CYLINDER HEAD GASKET SET855450
 COMPONENT OF CYLINDER HEAD GASKET SET883962
- [3] - COMPONENT OF OVERHAUL GASKET SET 855488
 COMPONENT OF OVERHAUL GASKET SET 881742
 COMPONENT OF CYLINDER HEAD GASKET SET855449
 COMPONENT OF CYLINDER HEAD GASKET SET881743

OIL FILTER AND OIL HOSES

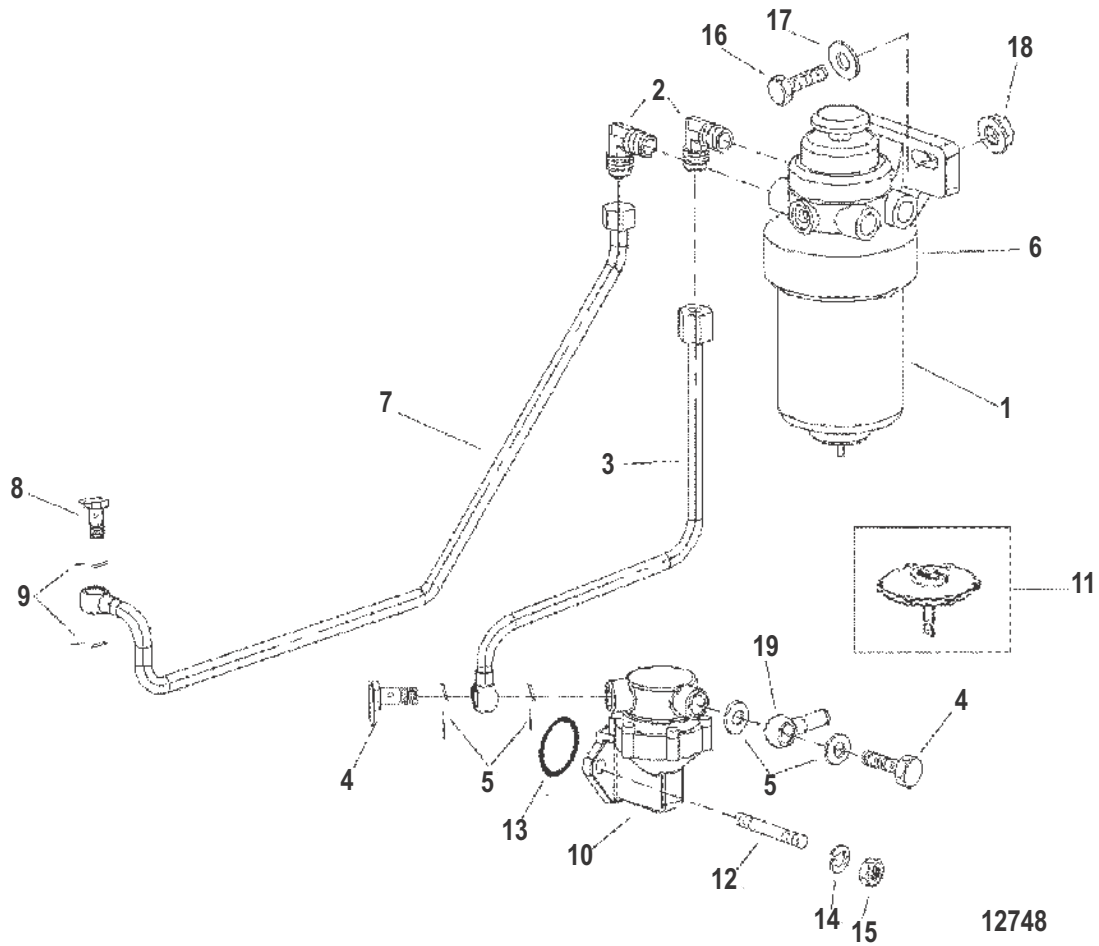


14243

OIL FILTER AND OIL HOSES

Ref #	Part Class	Part Number	Description	Comments	Qty	Note
1	0035	19485	FILTER		1	
2	0022	854145	FITTING		1	
3	0025	809963342	O-RING		1	
4	0000	854146	ADAPTER		1	
5	0025	805732	O-RING (2.612 x .103)		1	
6	0000	816163	THERMOSTAT		1	
7	0024	816162	SPRING		1	
8	0000	809963467	SEAL		1	
9	0025	98277	SEAL		1	
10	0022	8069481	PLUG		1	
11	0022	64013	FITTING (.375 Male To .125 Female)		1	
12	0087	817169	SWITCH		1	
13	0032	855487	HOSE		1	
14	0032	855488	HOSE Oil		1	
15	0032	854149	HOSE Oil		1	
16	0032	854150	HOSE Oil		1	
17	0022	854151	FITTING (M18)		2	
18	0000	854152	HEADER		1	
19	0022	854153	FITTING		1	
20	0022	854154	FITTING (M22)		3	
21	0012	809963354	WASHER		5	
22	0016	854156	STUD (M8 x 25)		2	
23	0011	854037	NUT (M8)		4	
24	0023	854157	SPACER		2	
25	0000	854158	PLATE		1	

FUEL FILTER



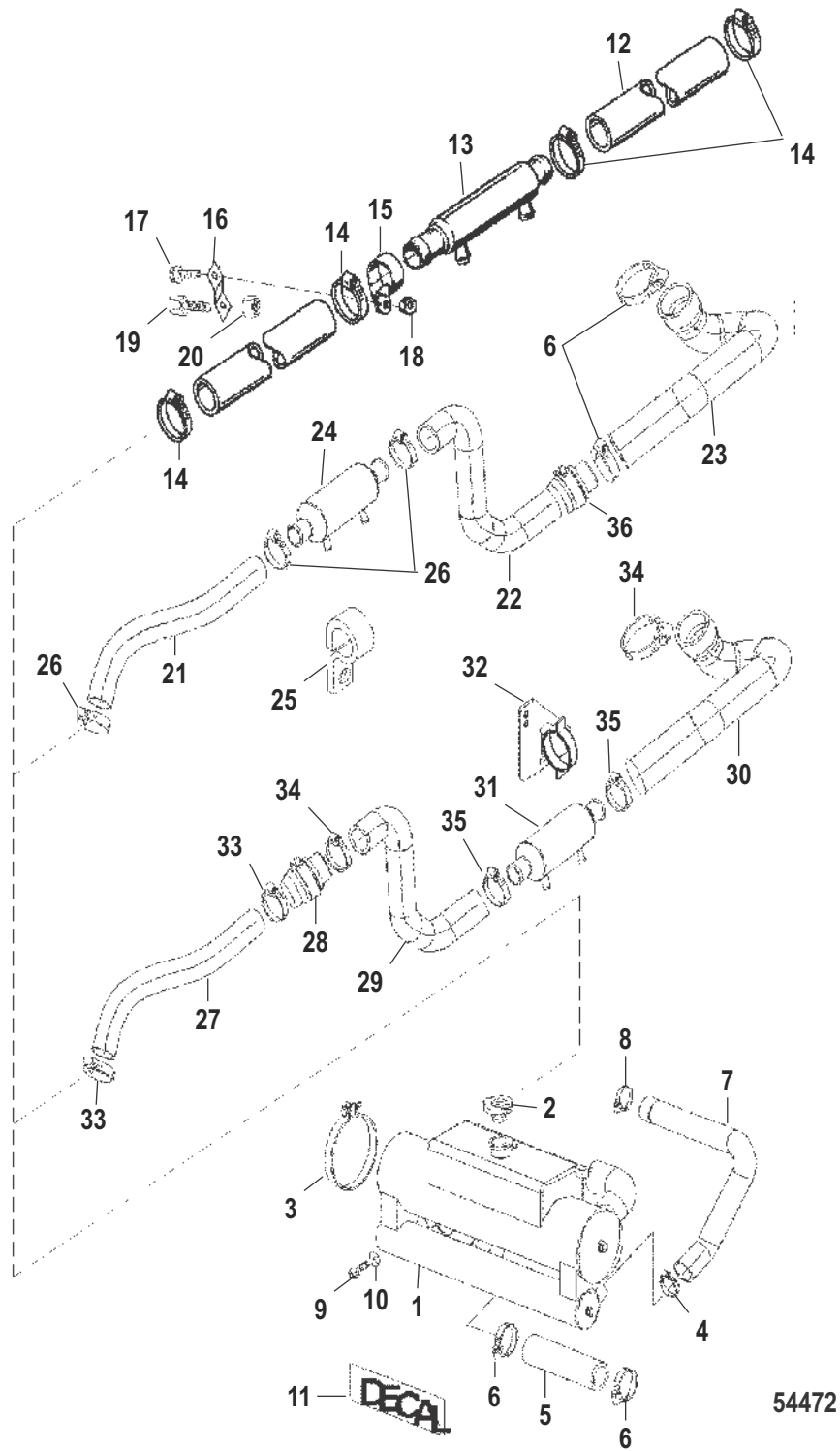
FUEL FILTER

Ref #	Part Class	Part Number	Description	Comments	Qty	Note
1	0035	807256T	FILTER Fuel		1	
2	0022	854159	FITTING (90 Degree)		2	
3	0032	855489	LINE Fuel	(2.8L)	1	
3	0032	854160	LINE Fuel	(4.2L)	1	
4	0010	811410	SCREW (M14)		2	
5	0012	809963201	WASHER		4	[1]
6	0035	807256T1	HEADER ASSEMBLY		1	
-	0000	861068	RING Locking - Fuel Filter		1	
7	0032	855490	LINE Fuel	(2.8L)	1	
7	0032	854161	LINE Fuel	(4.2L)	1	
8	0010	811401	BOLT Banjo (M12)		1	
9	0025	809963129	WASHER		2	[1]
10	0000	811416	PUMP ASSEMBLY Fuel		1	
11	0000	801333865	DIAPHRAGM		1	
12	0016	811383	STUD (M8 x 20)		2	
13	0025	854162	O-RING		1	[1]
14	0013	811418	LOCKWASHER		2	
15	0011	811417	NUT		2	
16	0010	854155	SCREW (M10 x 30)		2	
17	0012	811479	WASHER		2	
18	0011	854122	NUT (M10)		2	
19	0000	801763843	FITTING		1	
-	0027	855451	GASKET SET Overhaul	(2.8L) [0K144109] THRU [0L098058]	1	
-	0027	879684	GASKET SET Overhaul	(2.8L) [0L098059] & Up	1	
-	0027	855448	GASKET SET Overhaul	(4.2L) [0K144114] THRU [0L098231]	1	
-	0027	881742	GASKET SET Overhaul	(4.2L) [0L098032] & Up	1	

PART NOTES:

- [1] - COMPONENT OF OVERHAUL GASKET SET 855451
COMPONENT OF OVERHAUL GASKET SET 855488
COMPONENT OF OVERHAUL GASKET SET 879684
COMPONENT OF OVERHAUL GASKET SET 881742

HEAT EXCHANGER AND HOSES



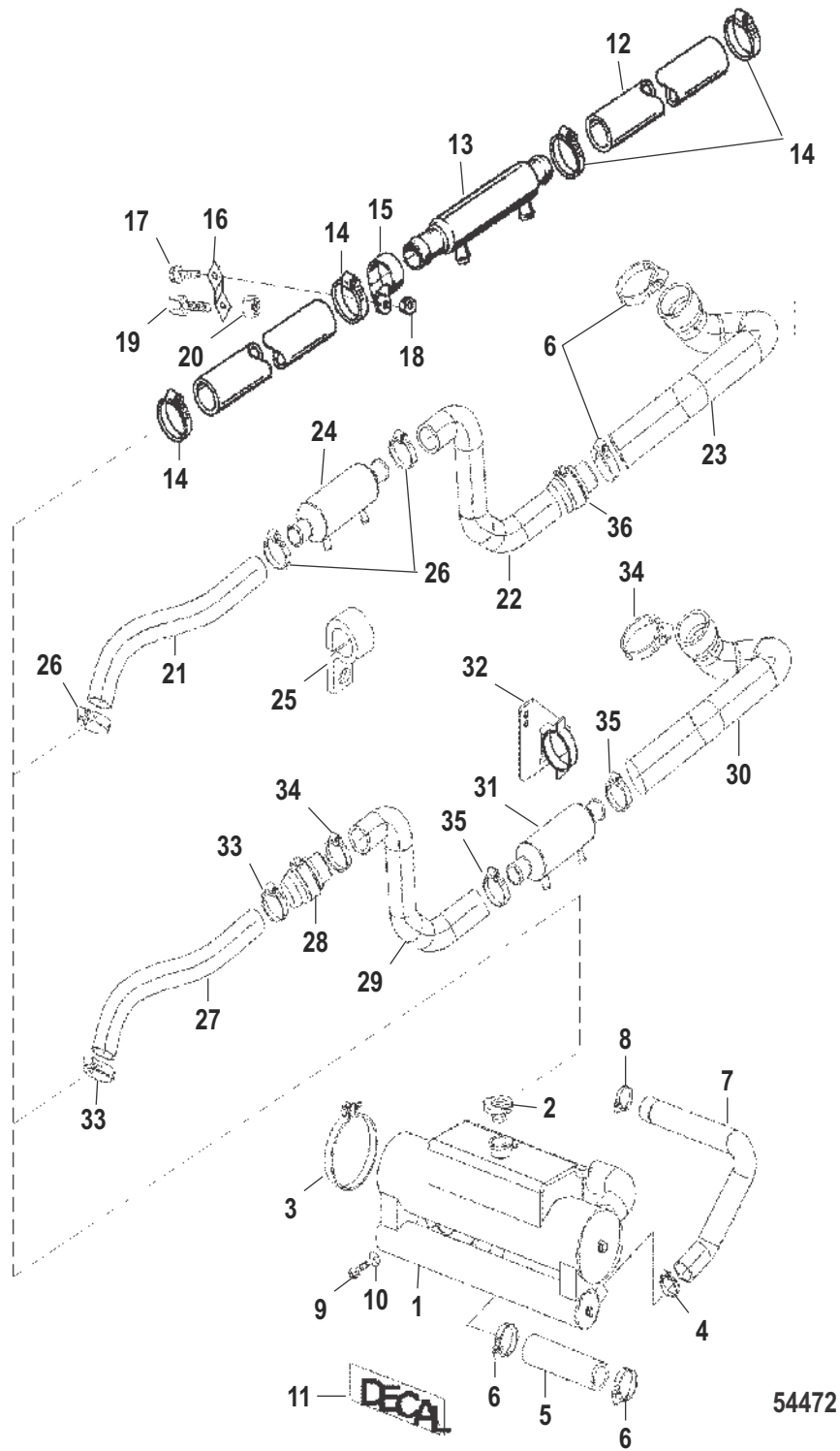
54472

HEAT EXCHANGER AND HOSES

Ref #	Part Class	Part Number	Description	Comments	Qty	Note
1	0000	807261	HEAT EXCHANGER		1	
2	0036	808108	CAP		1	
-	0097	806000	ANODE		1	
-	0010	88743	SCREW (.312-18 x .500)		2	
-	0000	806002A1	END CAP ASSEMBLY		2	
-	0027	806882	GASKET		2	
-	0010	846109	SCREW (.375-16 x .875)		2	
-	0000	860319A1	END COVER		2	
-	0027	806883	GASKET		2	
3	0054	884016	CLAMP	(2.8L)	2	
3	0054	855491	CLAMP	(4.2L)	2	
4	0054	815504220	CLAMP Worm Gear	(2.8L)	1	
5	0032	805743	HOSE		1	
6	0054	815504232	CLAMP Worm Gear (2.50 Diameter)		2	
7	0032	805740	HOSE		1	
8	0054	815504228	CLAMP Worm Gear		1	
9	0010	809919131	SCREW (M22 x 1.5)		1	
10	0012	809963354	WASHER		1	[1]
11	0037	861455	DECAL	(2.8L)	1	
11	0037	861454	DECAL	(4.2L)	1	
12	0032	806548440	HOSE (Cut to Length)	4.2L (DESIGN 1) MIE	2	
13	0000	63832A1	COOLER	4.2L (DESIGN 1) MIE	1	
14	0054	815504220	CLAMP Worm Gear	4.2L (DESIGN 1) MIE	4	
15	0054	18904	CLIP	4.2L (DESIGN 1) MIE	2	
16	0000	801761589	BRACKET	4.2L (DESIGN 1) MIE	2	
17	0010	4007154	SCREW (M8 x 30)	4.2L (DESIGN 1) MIE	2	
18	0011	400213	NUT (M8) Stainless Steel	4.2L (DESIGN 1) MIE	2	
19	0000	805324	STUD Extension	4.2L (DESIGN 1) MIE	2	
20	0011	401388	NUT (M8) Stainless Steel	4.2L (DESIGN 1) MIE	2	
21	0032	855492	HOSE	2.8L STERN DRIVE	1	
21	0032	806548440	HOSE	4.2L STERN DRIVE	1	
22	0032	855493	HOSE	2.8L STERN DRIVE	1	
22	0032	807423	HOSE	4.2L STERN DRIVE	1	
23	0032	807001	HOSE	2.8L AND 4.2L STERN DRIVE	1	
24	0000	99356A2	COOLER ASSEMBLY	2.8L AND 4.2L STERN DRIVE	1	
25	0054	18904	CLIP	2.8L AND 4.2L STERN DRIVE	2	
26	0054	815504220	CLAMP Worm Gear	2.8L AND 4.2L STERN DRIVE	4	
27	0032	803172	HOSE	2.8L (DESIGN 2) MIE	1	
27	0032	855495	HOSE	4.2L (DESIGN 2) MIE	1	
28	0000	855498	INSERT	2.8L AND 4.2L (DESIGN 2) MIE	1	
29	0032	803171	HOSE	2.8L (DESIGN 2) MIE	1	
29	0032	855494	HOSE	4.2L (DESIGN 2) MIE	1	

HEAT EXCHANGER AND HOSES

HEAT EXCHANGER AND HOSES



54472

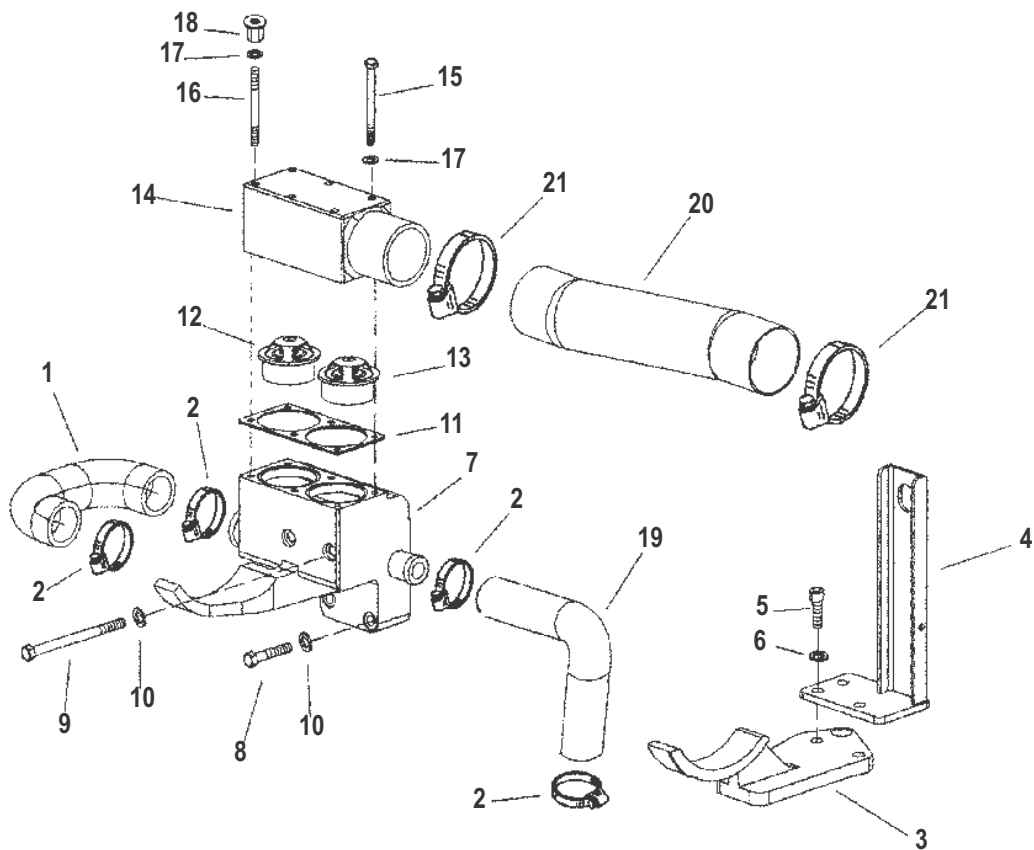
HEAT EXCHANGER AND HOSES

Ref #	Part Class	Part Number	Description	Comments	Qty	Note
30	0032	883972	HOSE	(D2.8L)(DESIGN 2)(MIE)	1	
30	0032	855496	HOSE	(D4.2L)(DESIGN 2)(MIE)	1	
31	0000	855497	COOLER	2.8L AND 4.2L (DESIGN 2) MIE	1	
32	0054	855500	CLAMP ASSEMBLY	2.8L (DESIGN 2) MIE	1	
32	0054	855499	CLAMP ASSEMBLY	4.2L (DESIGN 2) MIE	1	
33	0054	815504222	CLAMP Worm Gear (1.98 Diameter)	2.8L AND 4.2L (DESIGN 2) MIE	2	
34	0054	801333457	CLAMP	2.8L (DESIGN 2) MIE	2	
34	0054	815504224	CLAMP Worm Gear	4.2L (DESIGN 2) MIE	2	
35	0054	815504336	CLAMP Worm Gear	2.8L AND 4.2L (DESIGN 2) MIE	2	
36	0032	896332092	HOSE Adapter		1	
-	0027	855451	GASKET SET Overhaul	(2.8L) [0K144109] THRU [0L098058]	1	
-	0027	879684	GASKET SET Overhaul	(2.8L) [0L098059] & Up	1	
-	0027	855448	GASKET SET Overhaul	(4.2L) [0K144114] THRU [0L098231]	1	
-	0027	881742	GASKET SET Overhaul	(4.2L) [0L098032] & Up	1	
-	0000	877390A1	VIBRATION KIT	(2.8L) [0L363100] & Below	1	
-	0000	877392	CLAMP Rubber	(For Replacement)(2.8L)	2	

PART NOTES:

- [1] - COMPONENT OF OVERHAUL GASKET SET 855451
COMPONENT OF OVERHAUL GASKET SET 855488
COMPONENT OF OVERHAUL GASKET SET 879684
COMPONENT OF OVERHAUL GASKET SET 881742

THERMOSTAT ASSEMBLY AND HOSES



12819

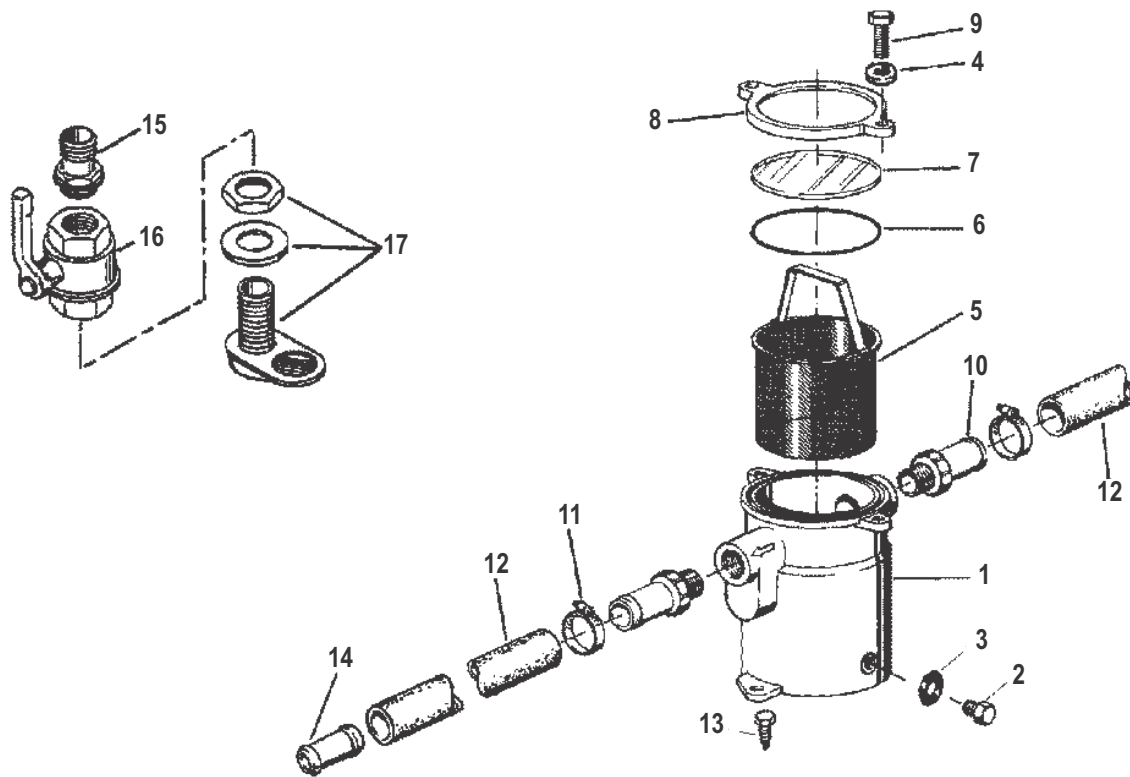
THERMOSTAT ASSEMBLY AND HOSES

Ref #	Part Class	Part Number	Description	Comments	Qty	Note
1	0032	805741	HOSE		1	
2	0054	815504220	CLAMP Worm Gear		4	
3	0000	854164	BRACKET	(2.8L) [0L343100] & Below	1	
3	0000	884002	BRACKET	(2.8L) [0L343101] & Up	1	
3	0000	854164	BRACKET	(4.2L)	1	
4	0000	854165	LIFTING EYE		1	
5	0010	854166	SCREW (M10 x 35)		3	
6	0013	400248	LOCKWASHER (M10)		3	
7	0000	805681	HOUSING	(2.8L) [0L343100] & Below	1	
7	0000	884003	HOUSING Thermostat	(2.8L) [0L0363101] & Up	1	
7	0000	805681	HOUSING	(4.2L)	1	
8	0010	4000359	SCREW (M8 x 60)		2	
9	0010	4000363	SCREW (M8 x 100)		2	
10	0013	400257	LOCKWASHER (M8)		4	
11	0027	805723	GASKET		1	[1]
12	0000	805947T	THERMOSTAT 71°C (160°F)		1	
13	0000	805948	THERMOSTAT 82°C (180°F)		1	
14	0000	854168	COVER		1	
15	0010	4000338	SCREW (M6 x 78)		5	
16	0016	854169	STUD (M6 x 75)		1	
17	0013	400256	LOCKWASHER (M6)		6	
18	0023	854170	SPACER		1	
19	0032	805744	HOSE		1	
20	0032	805739	HOSE		1	
21	0054	815504348	CLAMP Worm Gear		2	
-	0027	855451	GASKET SET Overhaul	(2.8L) [0K144109] THRU [0L098058]	1	
-	0027	879684	GASKET SET Overhaul	(2.8L) [0L098059] & Up	1	
-	0027	855448	GASKET SET Overhaul	(4.2L) [0K144114] THRU [0L098231]	1	
-	0027	881742	GASKET SET Overhaul	(4.2L) [0L098032] & Up	1	

PART NOTES:

- [1] - COMPONENT OF OVERHAUL GASKET SET 855451
COMPONENT OF OVERHAUL GASKET SET 855488
COMPONENT OF OVERHAUL GASKET SET 879684
COMPONENT OF OVERHAUL GASKET SET 881742

SEAWATER FILTER

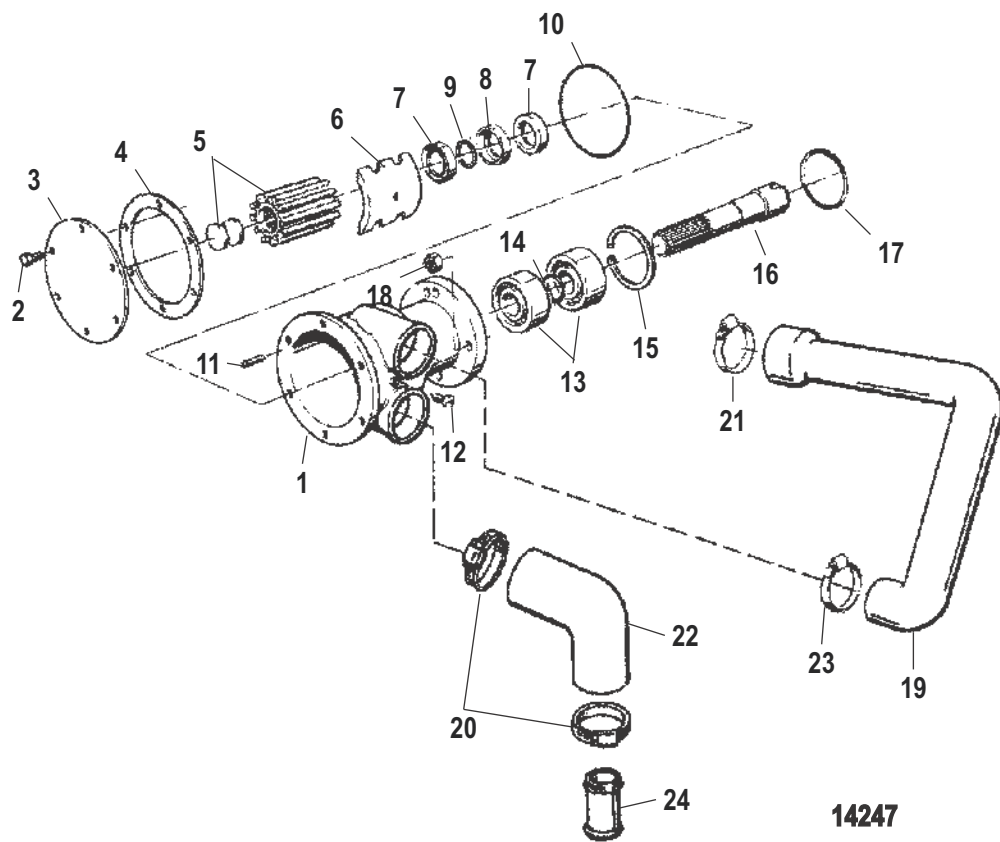


12822

SEAWATER FILTER

Ref #	Part Class	Part Number	Description	Comments	Qty	Note
1	0035	860603	FILTER		1	
2	0010	801763853	PLUG		1	
3	0012	809963201	WASHER		1	
4	0013	809930840	LOCKWASHER		2	
5	0000	801763855	ELEMENT		1	
6	0025	801763856	O-RING		1	
7	0000	801763857	WINDOW		1	
8	0000	801763858	COVER		1	
9	0010	801763859	SCREW		2	
10	0022	816339	NOZZLE		2	
11	0054	815504228	CLAMP Worm Gear		4	
12	0032	816172	HOSE		2	
13	0010	85181	BOLT		2	
14	0032	806291	REDUCER		1	
15	0022	818172	CONNECTOR	(INBOARD)	1	
16	0020	818171T	VALVE	(INBOARD)	1	
17	0022	818170T	FITTING	(INBOARD)	1	

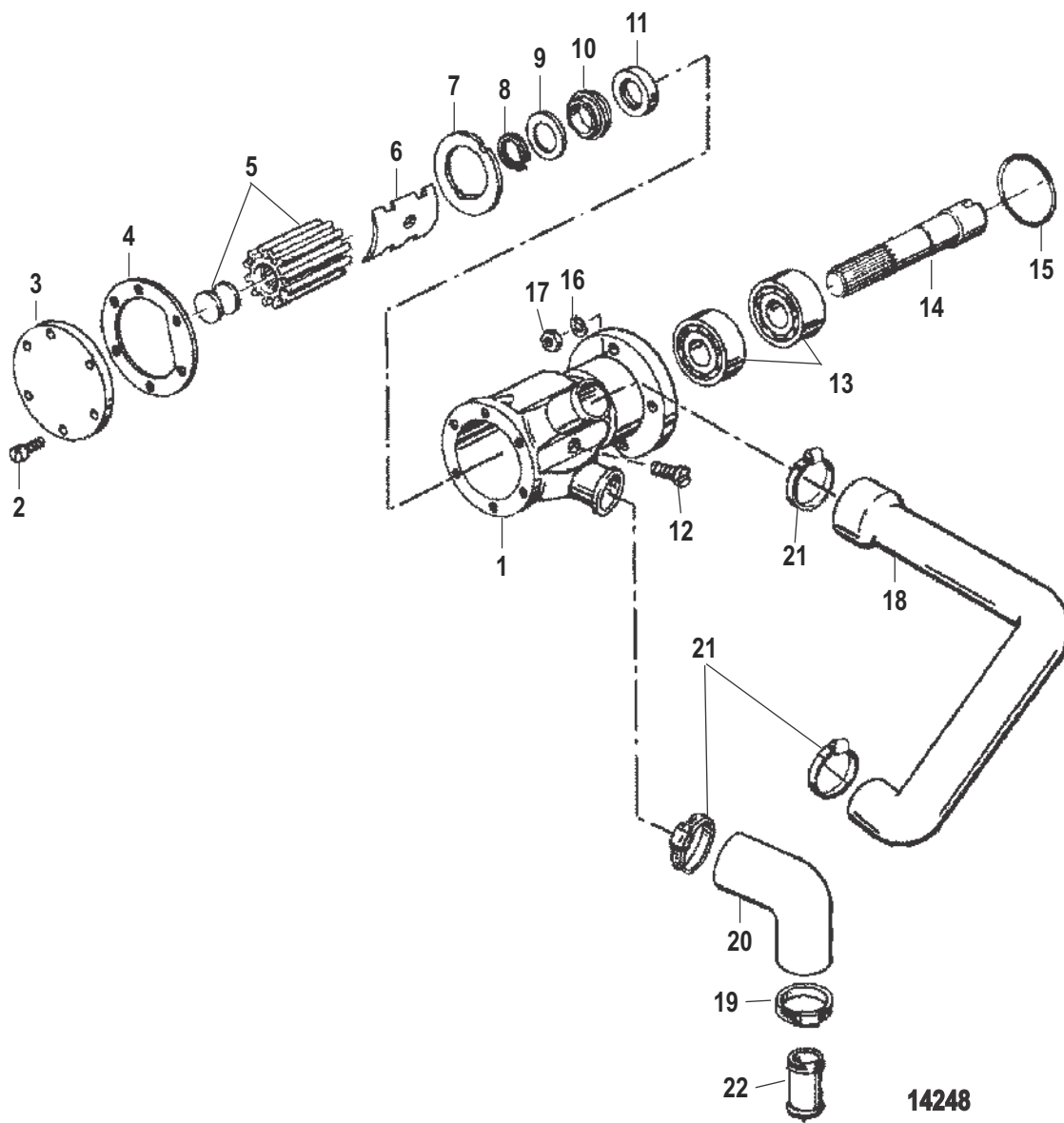
Seawater Pump (2.8L)



Seawater Pump (2.8L)

Ref #	Part Class	Part Number	Description	Comments	Qty	Note
1	0046	855502	PUMP ASSEMBLY Seawater		1	
2	0010	801332608	SCREW		6	
3	0000	801332607	COVER		1	
4	0027	801332606	GASKET		1	
5	0047	801332602	IMPELLER		1	
6	0000	814873	CAM		1	
7	0026	801332600	SEAL Oil		2	
8	0000	801332599	SPREADER		1	
9	0025	801332598	O-RING		1	
10	0012	801332601	WEAR PLATE		1	
11	0017	801332620	PIN		1	
12	0010	801332604	SCREW		1	
13	0030	801330116	BEARING Ball		2	
14	0000	801332599	SPREADER		1	
15	0053	801332595	RING Snap Retaining		1	
16	0045	801332593	SHAFT		1	
17	0025	801333850	O-RING		1	
18	0011	400212	NUT (M6) Stainless Steel		4	
19	0032	805375	HOSE To Air Cooler		1	
20	0054	815504220	CLAMP Worm Gear		2	
21	0054	815504228	CLAMP Worm Gear		1	
22	0032	806441	HOSE		1	
23	0054	815504232	CLAMP Worm Gear (2.50 Diameter)		1	
24	0032	816173	HOSE Reducer To SeaWater Pump		1	

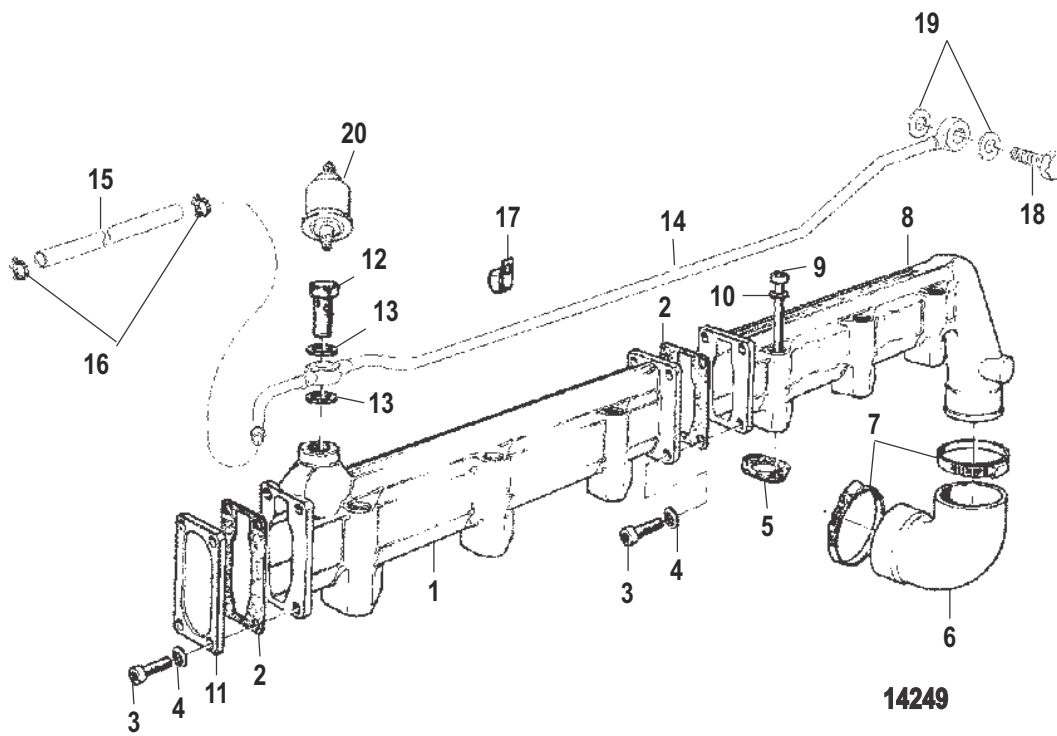
Seawater Pump (4.2L)



Seawater Pump (4.2L)

Ref #	Part Class	Part Number	Description	Comments	Qty	Note
1	0046	816248	PUMP ASSEMBLY		1	
2	0010	801332608	SCREW		6	
3	0000	801332607	COVER		1	
4	0027	801332606	GASKET		1	
5	0047	816814T	IMPELLER		1	
6	0000	816813	CAM		1	
7	0012	801332601	WEAR PLATE		1	
8	0053	816815	RING		1	
9	0023	816816	SPACER		1	
10	0000	816817	SEAL		1	
11	0026	816818	SEAL		1	
12	0010	801332604	SCREW		1	
13	0030	816819	BEARING		2	
14	0000	816820	SHAFT		1	
15	0025	801333850	O-RING		1	
16	0013	811418	LOCKWASHER		4	
17	0011	811417	NUT		4	
18	0032	805017	HOSE To Air Cooler		1	
19	0054	815504220	CLAMP Worm Gear		1	
20	0032	816174A1	HOSE		1	
21	0054	815504232	CLAMP Worm Gear (2.50 Diameter)		3	
22	0032	816173	HOSE Reducer To SeaWater Pump		1	

MANIFOLD STRIP



MANIFOLD STRIP

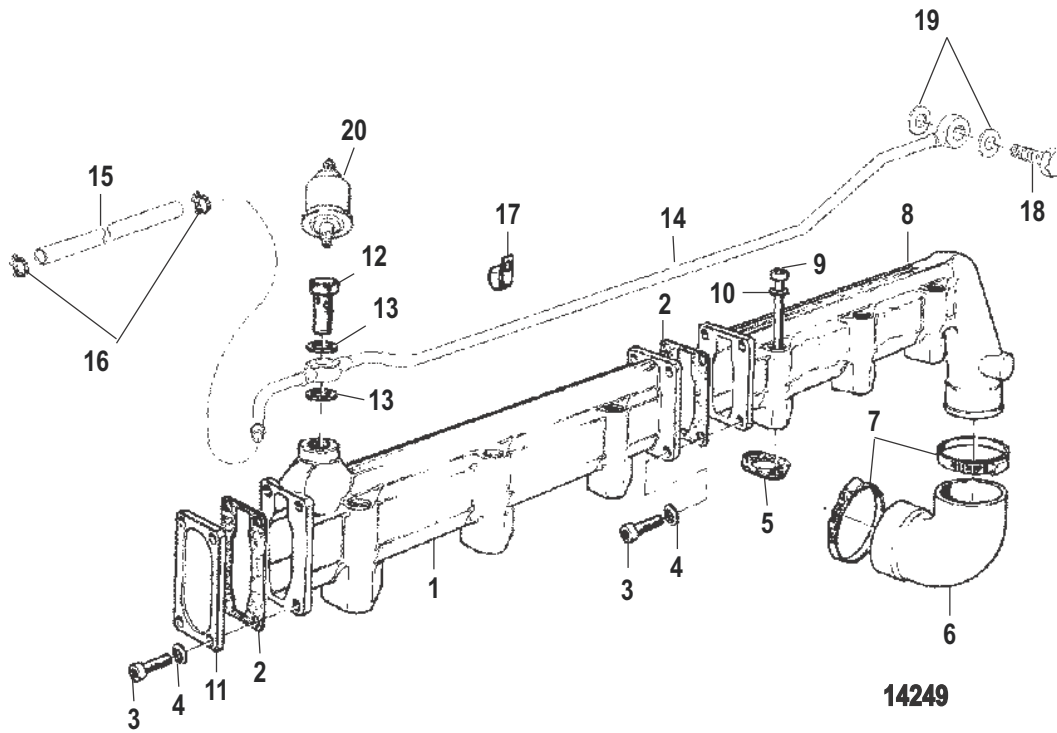
Ref #	Part Class	Part Number	Description	Comments	Qty	Note
1	0000	879713	MANIFOLD Front	(2.8L)	1	
1	0000	816785	STRIP Manifold (FRONT)	(4.2L)	1	
1	0084	884005	HARNESS ASSEMBLY Engine Wiring, Engine w/Deutsch Connector	(STERNDRIVE AND INBOARD)	1	
2	0027	854171	GASKET		1/2	[1]
3	0010	809919781	SCREW (M6 x 18)		4/8	
4	0012	811450	WASHER		4/8	
5	0027	884004	GASKET	(2.8L)	4	[2]
5	0027	884004	GASKET	(4.2L)	6	[3]
6	0032	854173	HOSE		1	
7	0054	801333457	CLAMP		2	
8	0000	879712	RAIL Water (REAR)		1	
9	0010	879714	SCREW (M6 x 80)		8/12	
10	0012	811437	WASHER		8/12	
11	0000	811432	COVER	(4.2L)	1	
12	0010	811401	BOLT Banjo (M12)		1	
13	0025	809963129	WASHER		2	[1]
14	0032	855506	PIPE	(2.8L)	1	
14	0032	804702	PIPE	(4.2L)	1	
15	0032	854176	HOSE		1	
16	0054	854177	CLAMP		1	
17	0054	814634	CLAMP		1	
18	0010	801333874	SCREW Banjo (M10)		1	
19	0012	809963072	WASHER		2	[1]
20	0000	49734	SENDER	(2.8L)	1	[4]
-	0027	855451	GASKET SET Overhaul	(2.8L) [0K144109] THRU [0L098058]	1	
-	0027	879684	GASKET SET Overhaul	(2.8L) [0L098059] & Up	1	
-	0027	855448	GASKET SET Overhaul	(4.2L) [0K144114] THRU [0L098231]	1	
-	0027	881742	GASKET SET Overhaul	(4.2L) [0L098032] & Up	1	
-	0027	855450	GASKET SET Cylinder Head	(2.8L) [0K144109] THRU [0L098058]	1	
-	0027	883962	GASKET SET Cylinder Head	(2.8L) [0L098059] & Up	1	
-	0027	855449	GASKET SET Cylinder Head	(4.2L) [0K144114] THRU [0L098231]	1	
-	0027	881743	GASKET SET Cylinder Head	(4.2L) [0L0980232] & Up	1	

PART NOTES:

- [1] - COMPONENT OF OVERHAUL GASKET SET 855451
COMPONENT OF OVERHAUL GASKET SET 855488
COMPONENT OF OVERHAUL GASKET SET 879684
COMPONENT OF OVERHAUL GASKET SET 881742
- [2] - COMPONENT OF OVERHAUL GASKET SET 855451
COMPONENT OF OVERHAUL GASKET SET 879684
COMPONENT OF CYLINDER HEAD GASKET SET855450
COMPONENT OF CYLINDER HEAD GASKET SET883962
- [3] - COMPONENT OF OVERHAUL GASKET SET 855488
COMPONENT OF OVERHAUL GASKET SET 881742
COMPONENT OF CYLINDER HEAD GASKET SET855449
COMPONENT OF CYLINDER HEAD GASKET SET881743

MANIFOLD STRIP

MANIFOLD STRIP

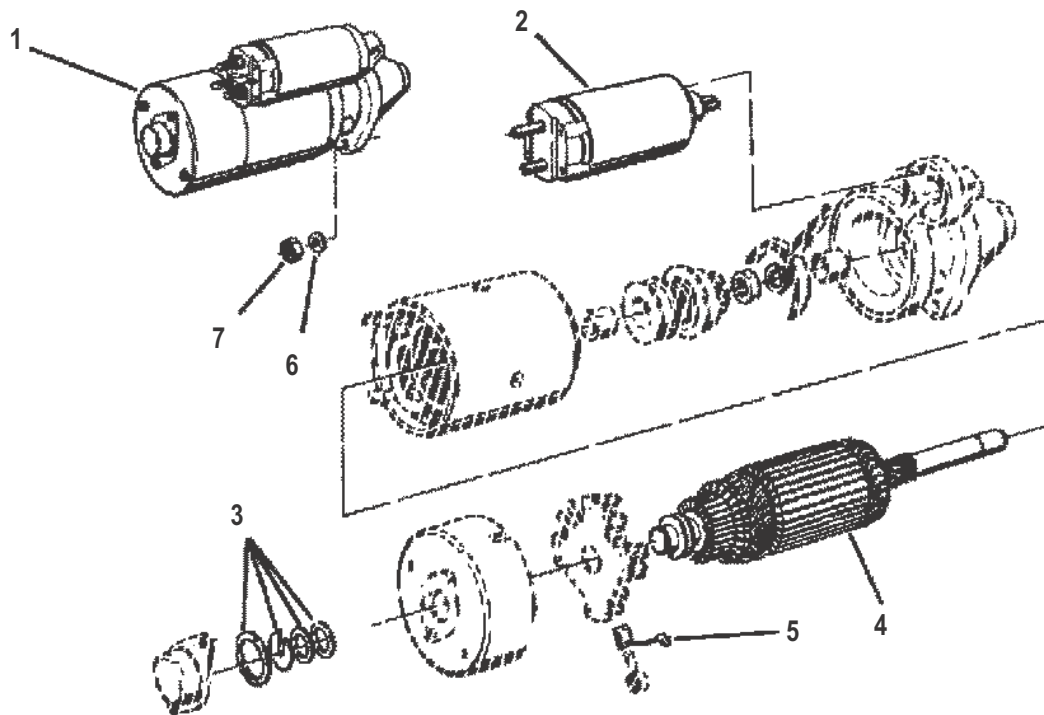


Cat.# 90-854190

MANIFOLD STRIP

[4] - COMPONENT OF OVERHAUL GASKET SET 879684

Starter Motor

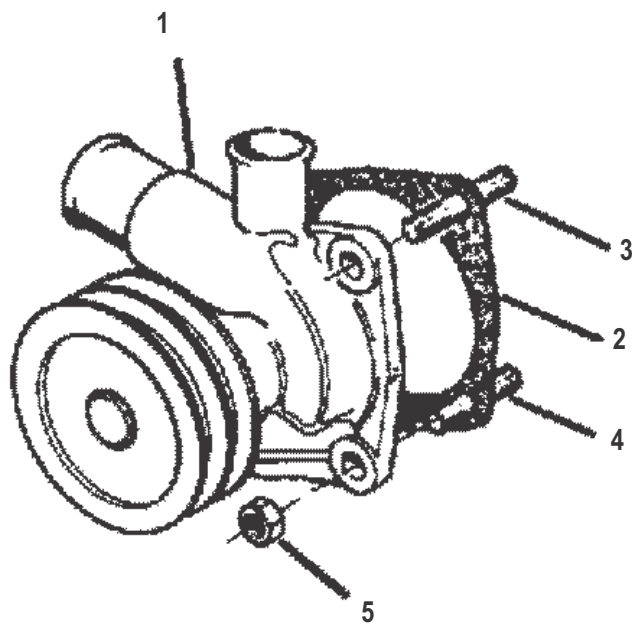


14250

Starter Motor

Ref #	Part Class	Part Number	Description	Comments	Qty	Note
1	0050	855507	STARTER MOTOR ASSEMBLY	(2.8L)	1	
1	0050	801333980	STARTER MOTOR ASSEMBLY	(4.2L)	1	
2		NSS	NOT SOLD SEPARATE Engaging Relay		1	
3		NSS	NOT SOLD SEPARATE Parts Set Armature		1	
4		NSS	NOT SOLD SEPARATE Armature		1	
5		NSS	NOT SOLD SEPARATE Brush Set		1	
6	0013	811408	LOCKWASHER		2	
7	0011	811458	NUT		2	

WATER PUMP



12768

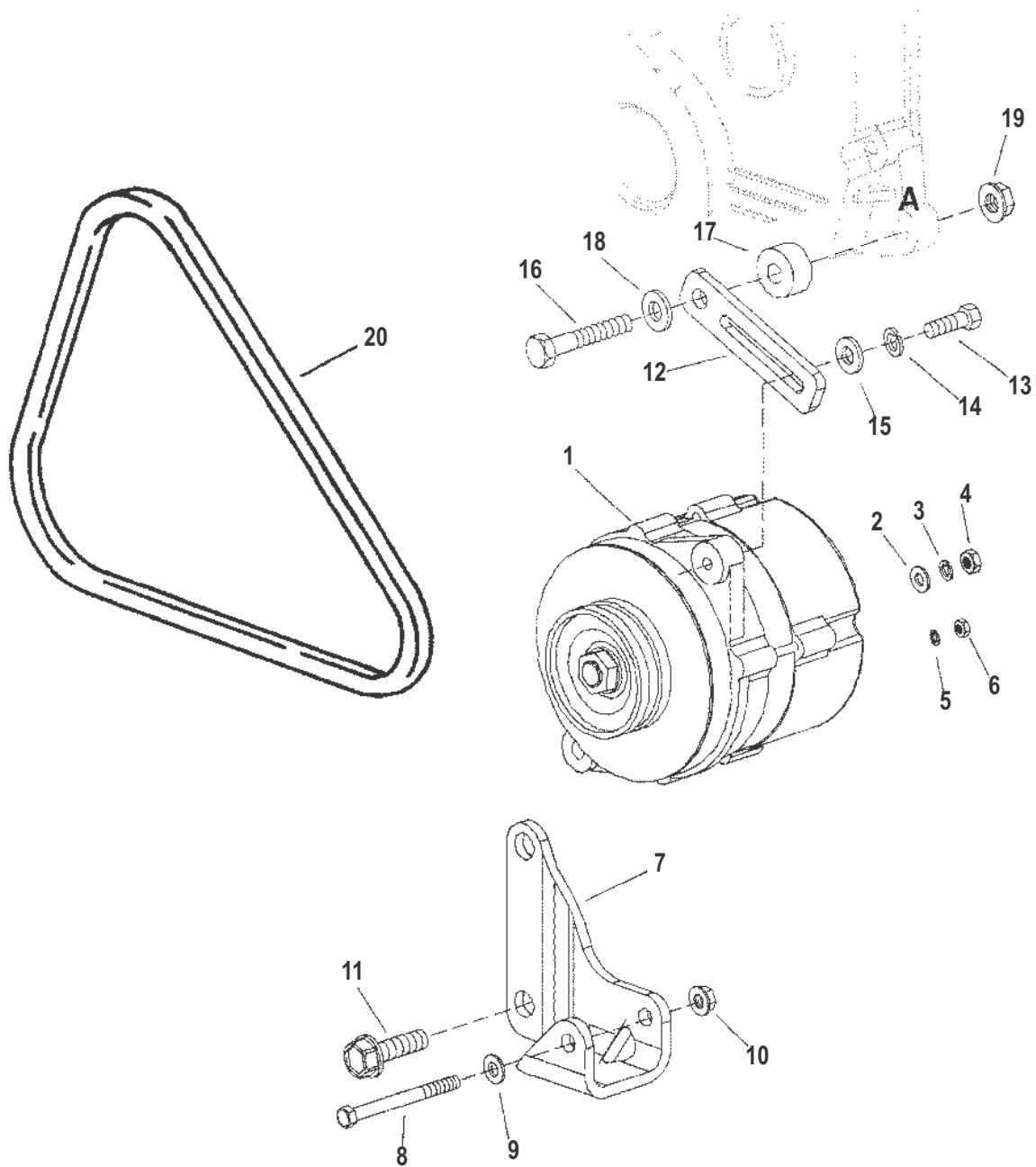
WATER PUMP

Ref #	Part Class	Part Number	Description	Comments	Qty	Note
1	0000	854179	PUMP		1	
2	0027	801333441	GASKET		1	[1]
3	0016	811472	STUD (M8 x 55)		2	
4	0016	854156	STUD (M8 x 25)		2	
5	0011	854037	NUT (M8)		4	
-	0027	855451	GASKET SET Overhaul	(2.8L) [0K144109] THRU [0L098058]	1	
-	0027	879684	GASKET SET Overhaul	(2.8L) [0L098059] & Up	1	
-	0027	855448	GASKET SET Overhaul	(4.2L) [0K144114] THRU [0L098231]	1	
-	0027	881742	GASKET SET Overhaul	(4.2L) [0L098032] & Up	1	

PART NOTES:

- [1] - COMPONENT OF OVERHAUL GASKET SET 855451
COMPONENT OF OVERHAUL GASKET SET 855488
COMPONENT OF OVERHAUL GASKET SET 879684
COMPONENT OF OVERHAUL GASKET SET 881742

Alternator And Mounting Hardware



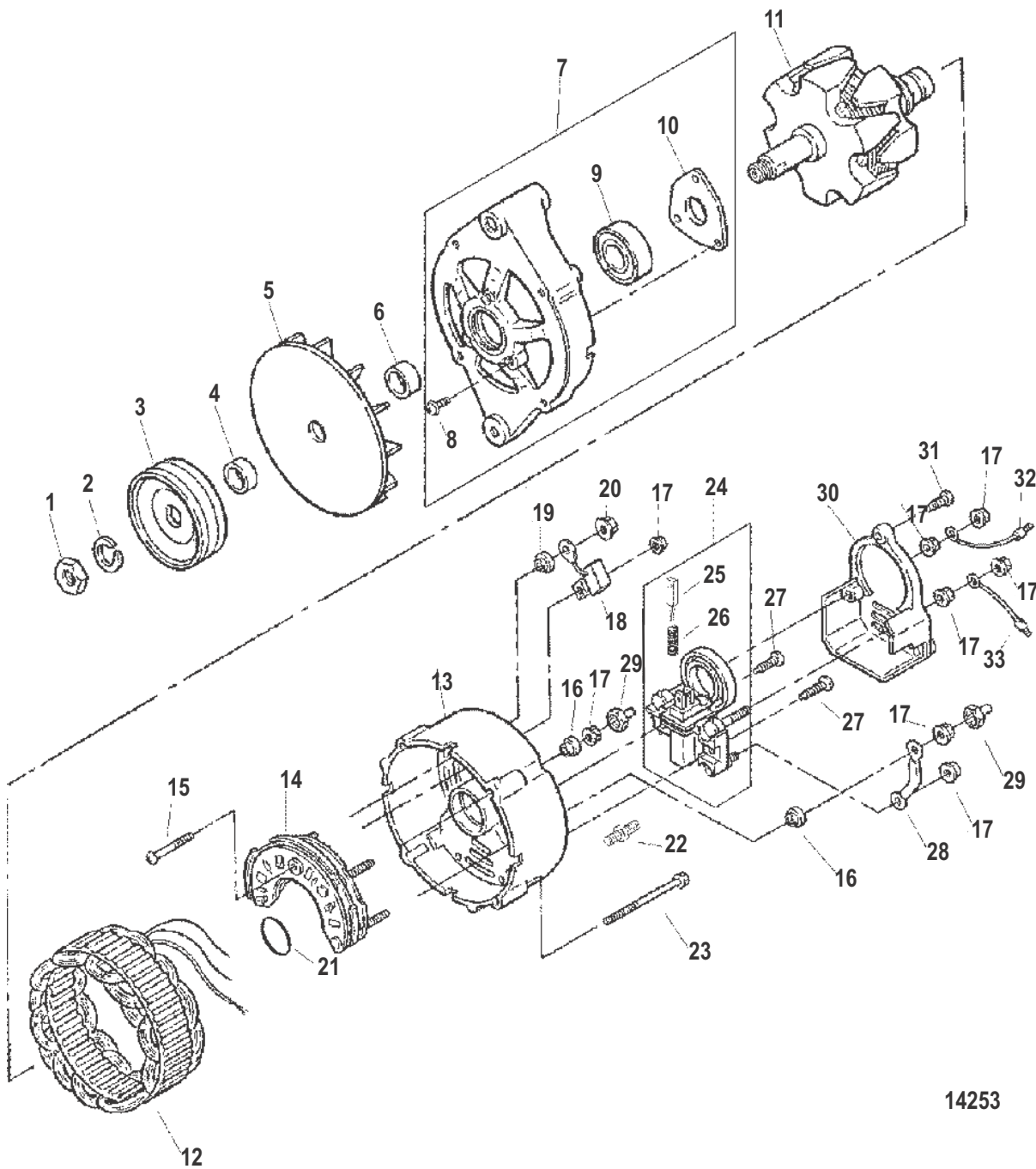
A = FRONT COVER

14252

Alternator And Mounting Hardware

Ref #	Part Class	Part Number	Description	Comments	Qty	Note
1	0000	805884T	ALTERNATOR		1	
2	0012	96457	WASHER Phenolic (.27 x .81 x .062)		1	
3	0013	26992	LOCKWASHER (.250) Stainless Steel		1	
4	0011	94330	NUT (.250-20) Brass		1	
5	0013	26996	LOCKWASHER (#10) Stainless Steel		2	
6	0011	79989	NUT (#10-24) Stainless Steel		2	
7	0000	879716	BRACKET Alternator		1	
8	0010	854181	SCREW (M8)		1	
9	0013	811460	LOCKWASHER		1	
10	0011	854184	NUT (M8)		1	
11	0010	855508	SCREW (M14 x 25)		2	
12	0000	806980T	BRACE		1	
13	0010	35386	SCREW (.312-18 x 1.00)		1	
14	0013	53166	LOCKWASHER (.312)		1	
15	0012	814806	WASHER (.344 x .688 x .065) Stainless Steel		1	
16	0010	4000382	SCREW (M10 x 60)		1	
17	0023	807030	SPACER		1	
18	0012	811479	WASHER		1	
19	0011	4013610	NUT (M10) Stainless Steel		1	
20	0057	64032A1	V BELT		1	

Alternator (Mando)



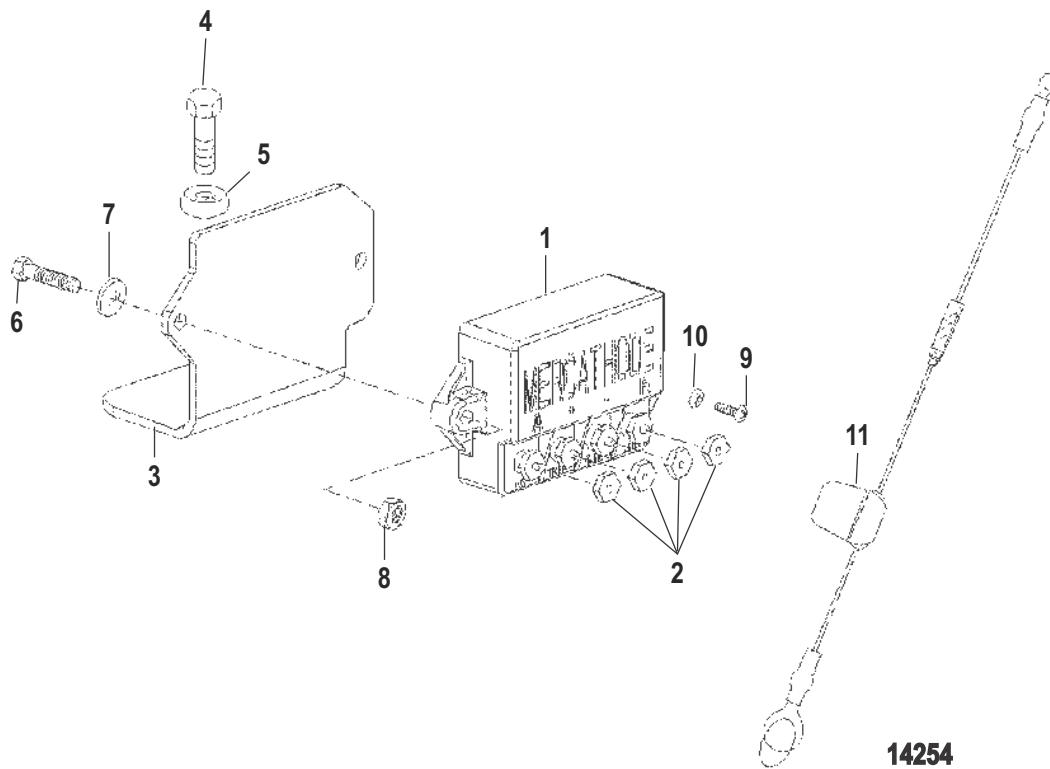
14253

Alternator (Mando)

Ref #	Part Class	Part Number	Description	Comments	Qty	Note
-	0000	805884T	ALTERNATOR		1	
1	0011	809136	NUT		1	
2	0013	809137	LOCKWASHER		1	
3	0000	809134	PULLEY		1	
4	0023	809135	SPACER		1	
5	0000	809139	FAN ASSEMBLY		1	
6	0023	809140	SPACER		1	
7	0000	809151	BRACKET ASSEMBLY		1	
8	0010	809154	SCREW		3	
9	0030	809153	BEARING		1	
10	0000	809152	RETAINER		1	
11	0000	809150	ROTOR		1	
12	0000	809133T	STATOR		1	
13	0000	809155	BRACKET ASSEMBLY		1	
14	0000	809162	RECTIFIER		1	
15	0010	809160	SET SCREW		1	
16	0000	809146	MOLD		2	
17	0011	809143	NUT		8	
18	0000	809161	CONDENSER		1	
19	0000	809158	MOLD		1	
20	0011	809157	NUT		1	
21	0025	809156	O-RING		1	
22	0010	809159	BOLT		1	
23	0010	809138	BOLT		4	
24	0000	811883T	REGULATOR ASSEMBLY		1	
25	0000	811884	BRUSH		2	
26	0024	811885	SPRING		2	
27	0010	809141	SCREW		2	
28	0000	809142	TERMINAL		1	
29	0000	809149	CAP		2	
30	0000	809144	COVER		1	
31	0010	809145	SET SCREW		1	
32	0084	809148	LEAD WIRE Black		1	
33	0084	809147	LEAD WIRE Red		1	

Alternator (Mando)

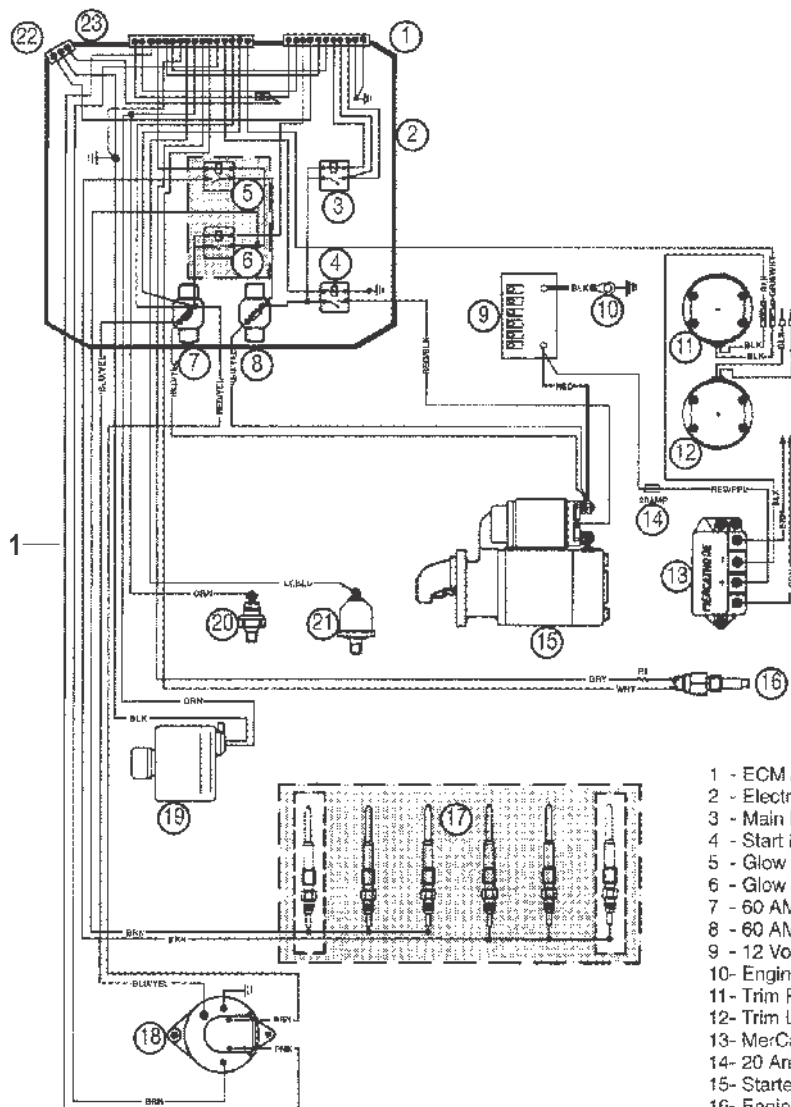
Mercathode (Sterndrive)



Mercathode (Sterndrive)

Ref #	Part Class	Part Number	Description	Comments	Qty	Note
1	0000	42600A3	CONTROLLER ASSEMBLY		1	
2	0011	68219	NUT (#10-32) Stainless Steel		4	
3	0000	807286T	BRACKET		1	
4	0010	40001188	SCREW (M10 x 20)		1	
5	0012	4002220	WASHER		1	
6	0010	4000116	SCREW (M5 x 20)		2	
7	0012	809931036	WASHER		2	
8	0011	855385	NUT (M5)		2	
9	0010	62568	SCREW (#10-16 x .375)		1	
10	0012	30164	WASHER (.192 x .375 x .0312) Stainless Steel		2	
11	0084	803625	FUSE ASSEMBLY		1	

ENGINE HARNESS



- 1 - ECM / Fuel System Harness Connector
- 2 - Electrical Box
- 3 - Main Relay
- 4 - Start Relay
- 5 - Glow Plug Relay (Optional)
- 6 - Glow Plug Relay (Optional)
- 7 - 60 AMP Circuit Breaker
- 8 - 60 AMP Circuit Breaker
- 9 - 12 Volt Battery
- 10- Engine Ground Stud
- 11- Trim Position Sender, Starboard
- 12- Trim Limit Switch, Port
- 13- MerCathode Controller
- 14- 20 Amp Fuse and Holder
- 15- Starter
- 16- Engine Coolant Temperature Sender
- 17- Glow Plugs (If So Equipped)
- 18- Alternator
- 19- Gear Lube Monitor Bottle
- 20- Oil Pressure / Audio Warning Switch
- 21- Oil Pressure Sender
- 22- Diagnostic Connector
- 23- Instrument / Extension Harness Connector

12743

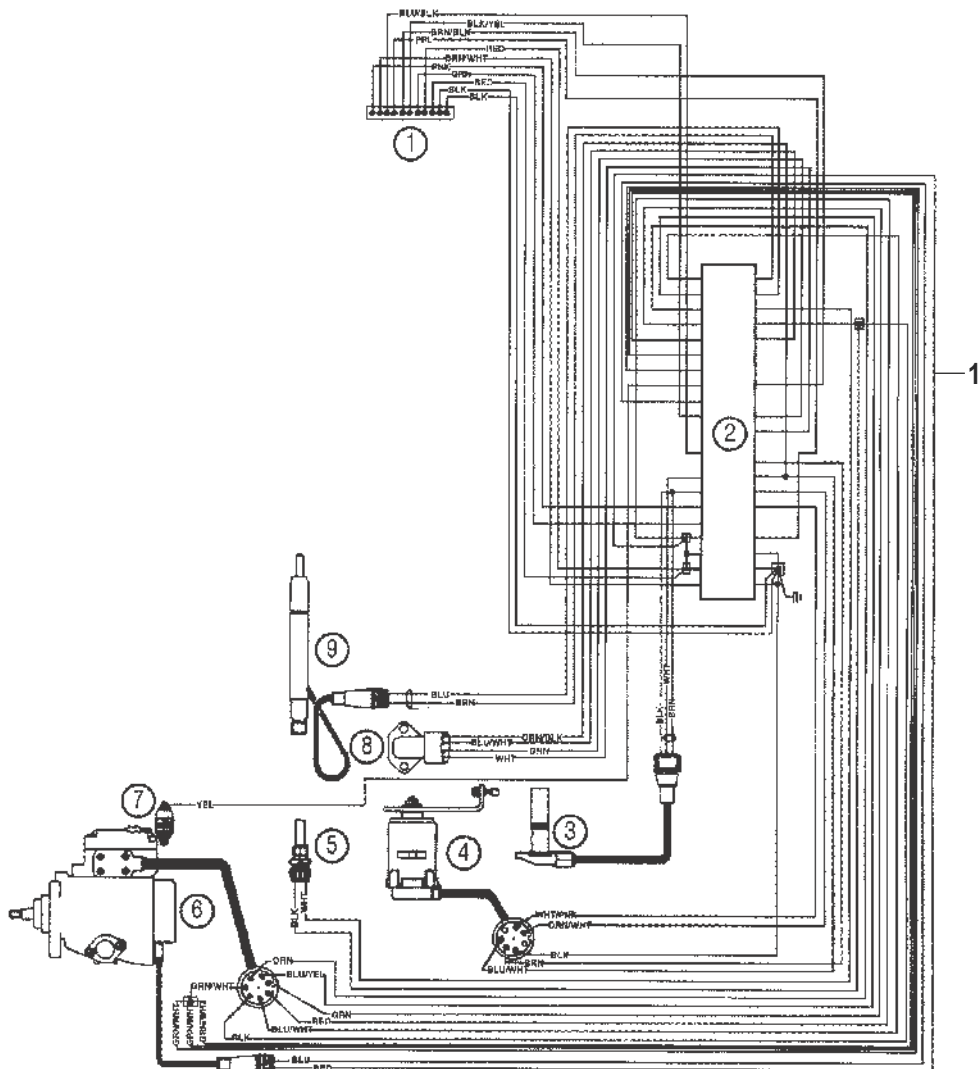
Cat.# 90-854190

ENGINE HARNESS

Ref #	Part Class	Part Number	Description	Comments	Qty	Note
1	0084	855509	HARNESS ASSEMBLY Engine	(STERN DRIVE)	1	
1	0084	803626	HARNESS ASSEMBLY Engine Wiring	(INBOARD)	1	
1	0084	884005	HARNESS ASSEMBLY Engine	(STERN DRIVE OR INBOARD)	1	

ENGINE HARNESS

EDI Harness



- 1 - ECM (Electronic Control Module) / Fuel System Connector
- 2 - ECM
- 3 - Engine-Speed Sensor
- 4 - Throttle Position Sensor
- 5 - Engine Coolant Temperature Sensor (ECT to ECM)
- 6 - Electronic Distributor Injection Pump
- 7 - Electronic Shut-Off Solenoid (ELAB)
- 8 - Manifold Absolute Pressure Sensor MAP
- 9 - Fuel Injector with Needle Motion Sensor (NBF)

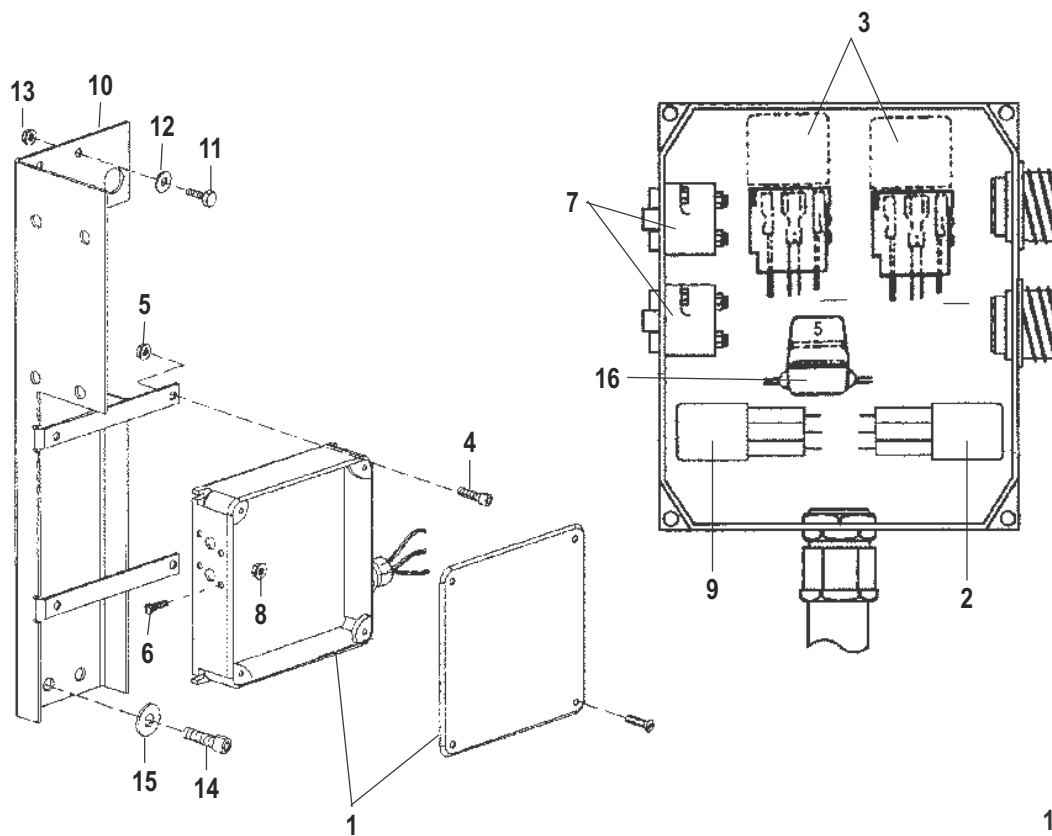
12746

Cat.# 90-854190

EDI Harness

Ref #	Part Class	Part Number	Description	Comments	Qty	Note
1	0084	854187	HARNESS ASSEMBLY ECM		1	

Electrical Box And Components

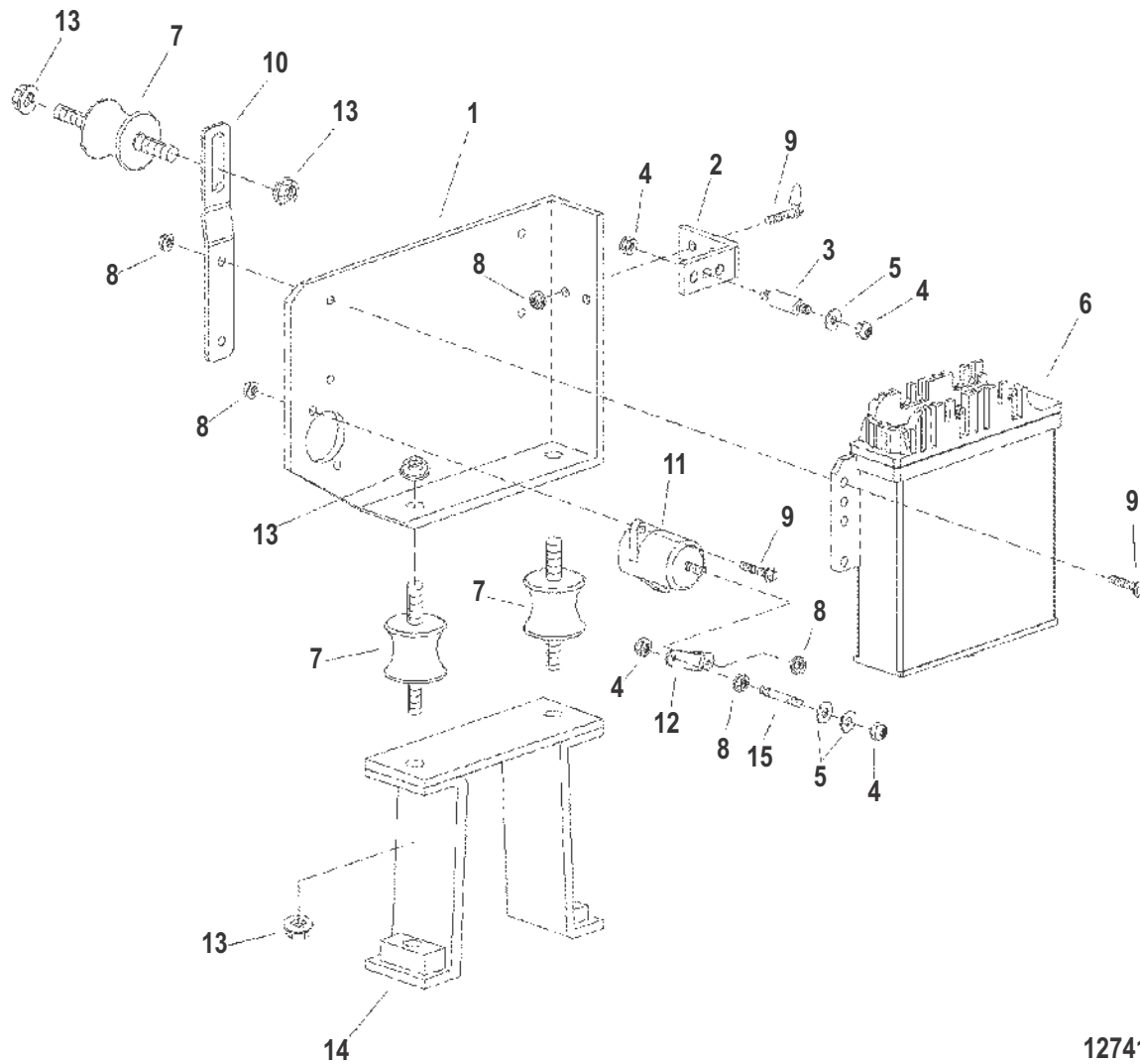


14257

Electrical Box And Components

Ref #	Part Class	Part Number	Description	Comments	Qty	Note
1		NSS	NOT SOLD SEPARATE Electrical Box		1	
2	0087	855391	POWER RELAY		1	
3	0087	855391	POWER RELAY		2	
4	0010	809919926	SCREW (M6 x 25)		4	
5	0011	854032	NUT (M6)		4	
6	0010	854104	SCREW (M5 x 20)		4	
7	0088	801329978	BREAKER Circuit		2	
8	0011	855385	NUT (M5)		4	
9	0087	855386	POWER RELAY		1	
NS	0000	821509	RELAY Audio Warning		1	
10	0000	854024	BRACKET Support		1	
11	0010	854113	SCREW (M6 x 14)		2	
12	0012	4002217	WASHER		2	
13	0011	854032	NUT (M6)		2	
14	0010	811457	SCREW (M10 x 35)		2	
15	0012	811459	WASHER		2	
16	0000	862646	FUSE Tan - 5 Ampere		1	

CONTROL UNIT AND BRACKET

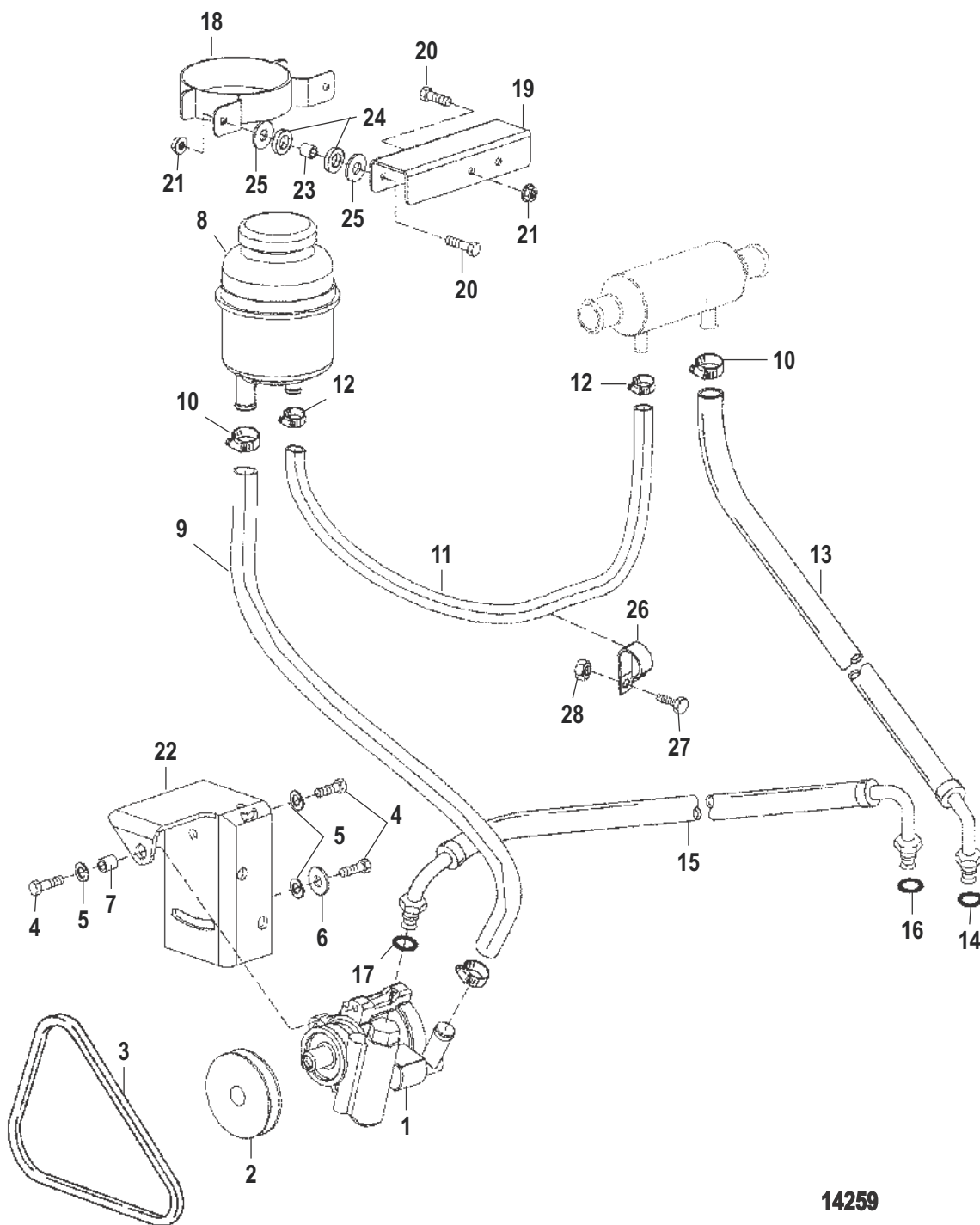


12741

CONTROL UNIT AND BRACKET

Ref #	Part Class	Part Number	Description	Comments	Qty	Note
1	0000	854025	BRACKET		1	
2	0000	854026	BRACKET		1	
3	0016	854027	STUD Remote Control Cable		1	
4	0011	854028	LOCKNUT		4	
5	0012	854029	WASHER		3	
6	0000	855510	CONTROL ASSEMBLY Engine	(2.8L)(750 RPM) [0L343084] & Below	1	
6	0000	881308	CONTROL ASSEMBLY Engine	(2.8L)(600 RPM) [0L343085] & Up	1	
6	0000	854030	CONTROL ASSEMBLY Engine	(4.2L)(750 RPM) [0L343703] & Below	1	
6	0000	881309	CONTROL ASSEMBLY Engine	(4.2L)(600 RPM) [0L343704] & Up	1	
7	0000	854031	SUPPORT		3	
8	0011	854032	NUT (M6)		10	
9	0010	855511	SCREW (M6 x 20)		8	
10	0000	854034	BRACKET		1	
11	0000	854035	TPS		1	
12	0000	854036	LEVER Throttle Position Sensor		1	
13	0011	854037	NUT (M8)		1	
14	0000	854038	SUPPORT	(STERN DRIVE)	1	
14	0000	860598	SUPPORT	(INBOARD)	1	
15	0016	854039	STUD TPS Lever		1	

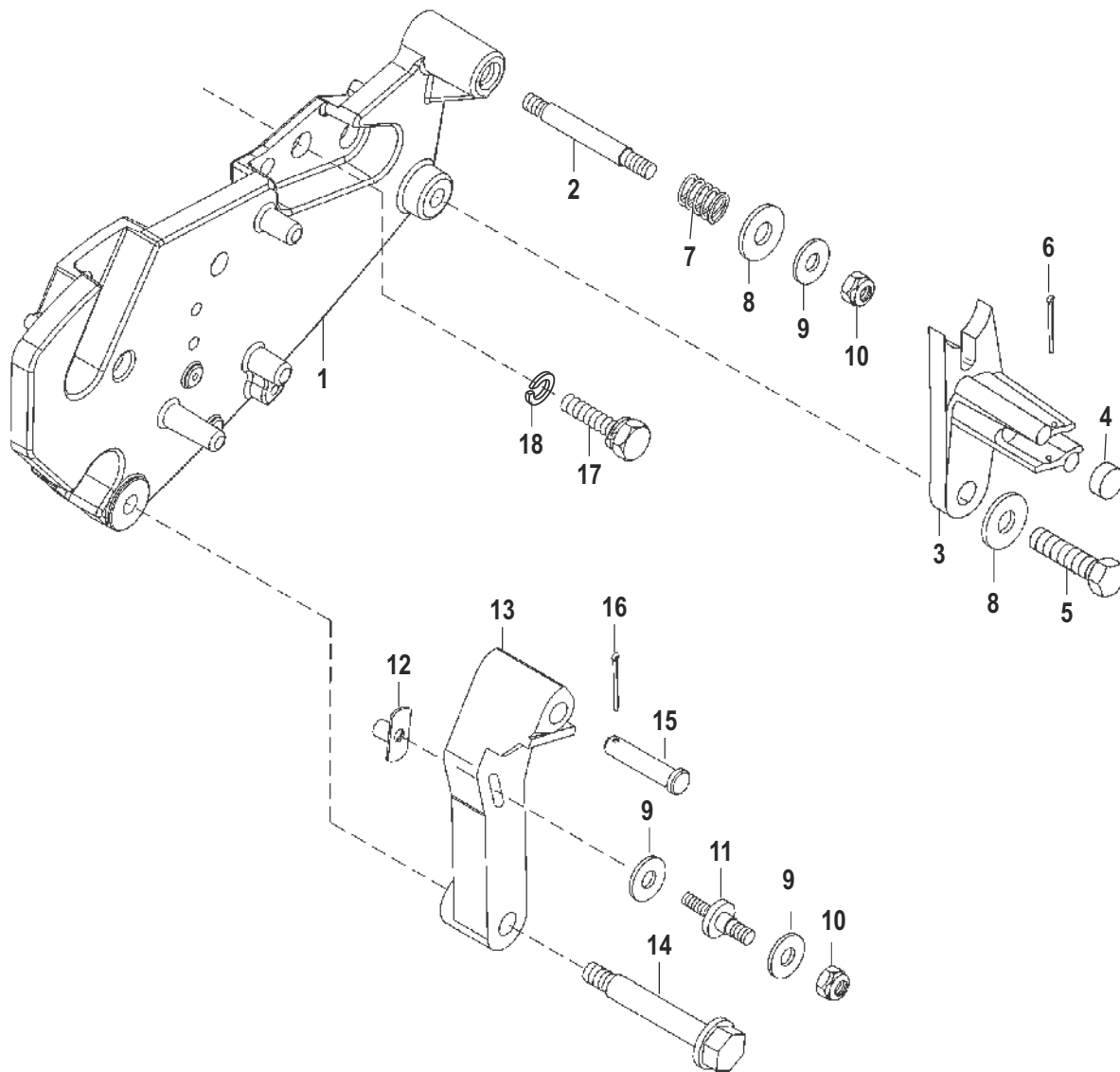
Power Steering Components (Sterndrive)



Power Steering Components (Sterndrive)

Ref #	Part Class	Part Number	Description	Comments	Qty	Note
1	0000	18825A2	PUMP ASSEMBLY		1	
2	0000	801763349	PULLEY		1	
3	0057	816177	V BELT		1	
4	0010	809913657	SCREW (M8 x 25)		3	
5	0013	400247	LOCKWASHER (M8)		3	
6	0012	4002318	WASHER		1	
7	0023	12009	BUSHING (.31 x .45 x .50)		1	
8	0000	801124680	TANK Power Steering Oil Reservoir		1	
9	0032	883971	HOSE Power Steering Pump To Reservoir	(Cut to Length)	1	
10	0054	801326638	CLAMP		3	
11	0032	883967	HOSE	(4.2L)	1	
11	0032	883968	HOSE Reservoir To Cooler	(2.8L)	1	
12	0054	809952104	CLAMP		2	
13	0032	883969	HOSE Cooler To Steering Cylinder		1	
14	0025	89879	O-RING (.301 x .064)		1	
15	0032	883970	HOSE Power Steering Pump To Steering Cylinder		1	
16	0025	89879	O-RING (.301 x .064)		1	
17	0025	806232	O-RING (.239 x .064)		1	
18	0000	855387	SUPPORT Oil Tank		1	
19	0000	855513	BRACKET Oil Tank Support	(2.8L)	1	
19	0000	855388	BRACKET	(4.2L)	1	
20	0010	854118	SCREW (M8 x 20)		3	
21	0011	854037	NUT (M8)		3	
22	0000	816340	BRACKET		1	
23	0023	854021	SPACER		2	
24	0025	854020	GROMMET		4	
25	0012	811455	WASHER		4	
26	0054	803627	CLIP		1	
27	0010	855511	SCREW (M6 x 20)		1	
28	0011	854032	NUT (M6)		1	

Shift Bracket

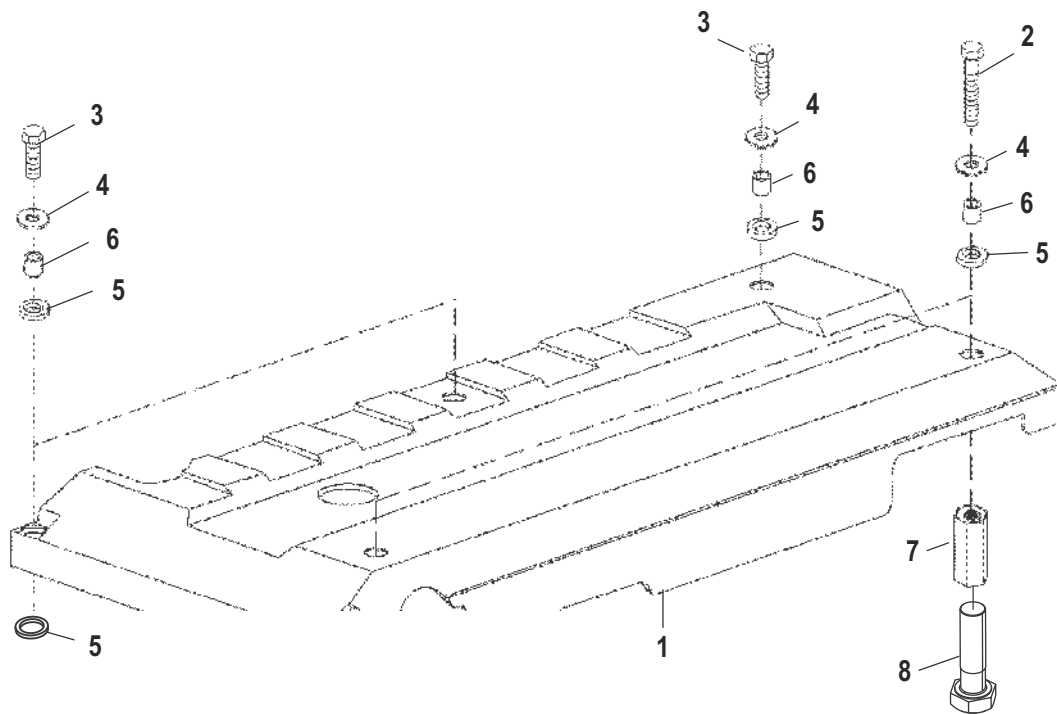


14260

Shift Bracket

Ref #	Part Class	Part Number	Description	Comments	Qty	Note
1	0000	807962A3	BRACKET ASSEMBLY		1	
2	0016	987981	STUD (.250-20/.250-28 x 2.120)		1	
3	0000	123811	RETAINER		1	
4	0023	98828	SPACER		1	
5	0010	53167	SCREW (.312-18 x .880)		1	
6	0018	32857	COTTER PIN		1	
7	0024	98880	SPRING		1	
8	0012	56720	WASHER (.330 x .750 x .060) Stainless Steel		2	
9	0012	35462	WASHER (.2656 x .625 x .0625) Stainless Steel		5	
10	0011	8267119	NUT (.250-28)		2	
11	0016	96112	STUD (.250-28 x 2.00) Throttle Cable Anchor		1	
12	0011	63341	TEE NUT		1	
13	0000	138981	LEVER		1	
14	0010	13743	SCREW (.312-18 x 1.843)		1	
15	0017	68402	PIN (.250 x 1.13)		1	
16	0018	21071	COTTER PIN		1	
17	0010	854118	SCREW (M8 x 20)		2	
18	0013	811460	LOCKWASHER		2	

Engine Cover



14261

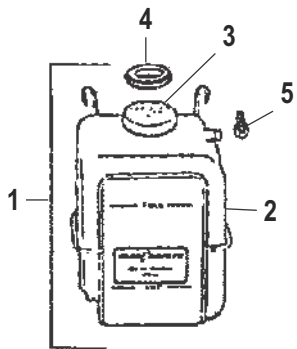
Cat.# 90-854190

Engine Cover

Ref #	Part Class	Part Number	Description	Comments	Qty	Note
1	0000	855515	COVER Engine Top	(2.8L)	1	
1	0000	854018	ENGINE COVER	(4.2L)	1	
2	0010	855465	SCREW (M8 x 60)		2	
3	0010	855520	SCREW (M8 x 25)		2/3	
4	0012	811455	WASHER		4/5	
5	0025	854020	GROMMET		5/7	
6	0023	854021	SPACER		4/5	
7	0000	854022	SPACER		1	
8	0010	40001124	SCREW (M8 x 14)		1	

Engine Cover

Coolant Recovery



14262

Coolant Recovery

Ref #	Part Class	Part Number	Description	Comments	Qty	Note
1	0000	71587A10	RECOVERY KIT Coolant		1	
2	0000	71587A11	BOTTLE Plastic		1	
3	0000	72058	CAP		1	
4	0027	71614	GASKET		1	
5	0010	85181	BOLT		2	
6	0032	1983389	HOSE		1	

PRIMARY STATION INSTRUMENTATION

PRIMARY STATION INSTRUMENTATION

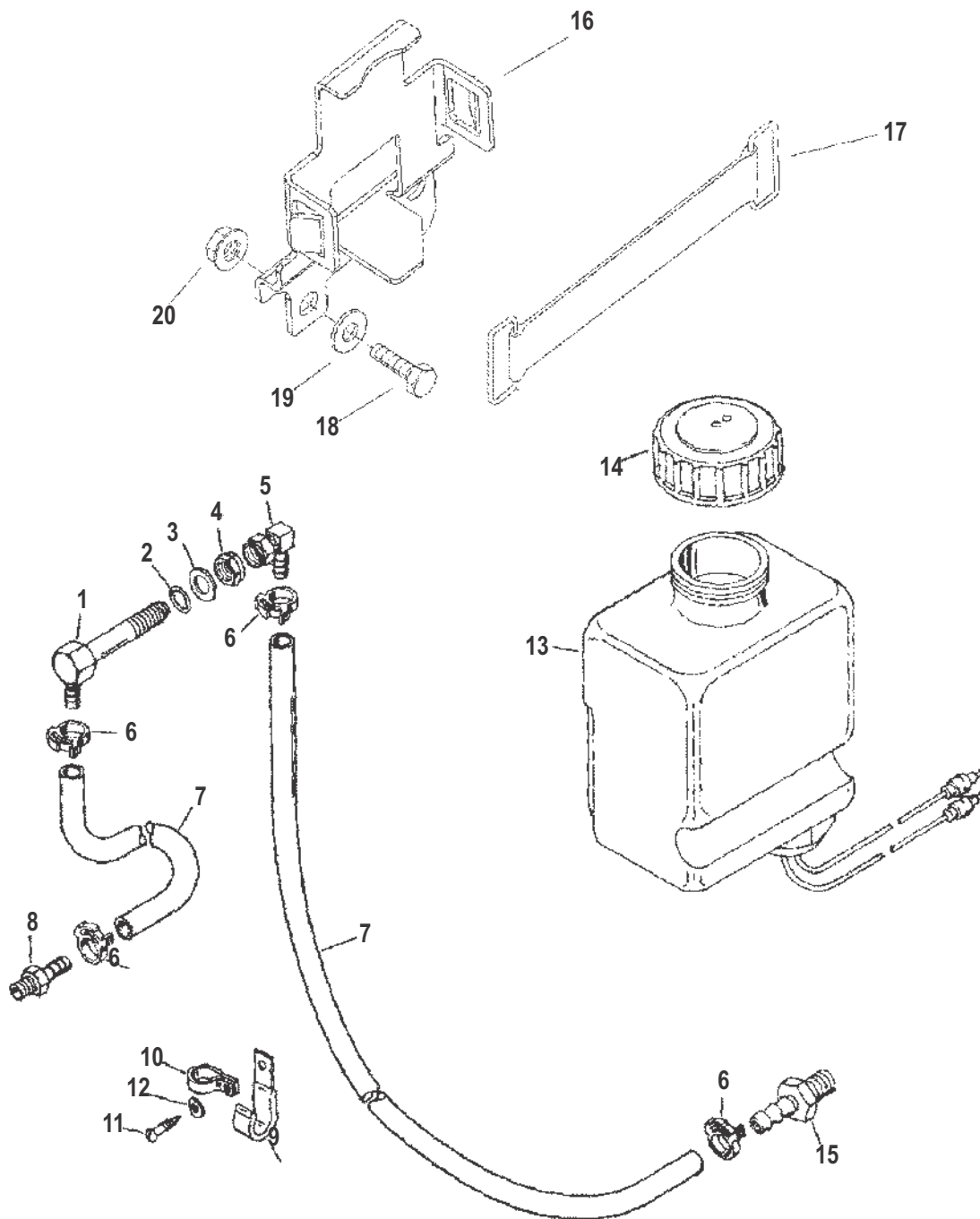
Ref #	Part Class	Part Number	Description	Comments	Qty	Note
-	0000	861014	PANEL		1	
-	0067	831424A2	LIGHT BULB		A/R	
-	0067	831424	LIGHT BULB		A/R	
-	0087	805678	KEY SWITCH		1	
-	0087	805675A1	TOGGLE SWITCH		1	
-	0079	817033A1	TRIM GAUGE KIT		1	
-	0079	817032A1	BATTERY GAUGE KIT		1	
-	0079	805288A1	GAUGE KIT Water Temperature		1	
-	0079	805287A1	OIL PRESSURE GAUGE KIT		1	
-	0079	816833A1	TACHOMETER GAUGE KIT		1	
-	0079	818163A1	CRUISELOG GAUGE KIT		1	
-	0000	817315	BEZEL		1	
-	0000	817311	BEZEL (TACHOMETER)		1	
-	0000	817309	BRACKET		1	
-	0000	817308	BRACKET (TACHOMETER)		1	
-	0011	26419	NUT (#8-32) Brass		6	
-	0084	855389	HARNESS ASSEMBLY Instrument	(AMP CONNECTOR)	1	
-	0084	855390	HARNESS ASSEMBLY Extension (7M)	(AMP CONNECTOR)	1	
-	0084	860618	HARNESS ASSEMBLY Instrument	(DEUTSCH CONNECTOR)	1	
-	0084	860616	HARNESS ASSEMBLY (23 Feet)	(DEUTSCH CONNECTOR)	1	
-	0088	812619	FUSE Yellow - 20 Ampere		1	
-	0084	881745	DIODE		1	
-	0087	855386	POWER RELAY		1	

SECONDARY STATION INSTRUMENTATION

SECONDARY STATION INSTRUMENTATION

Ref #	Part Class	Part Number	Description	Comments	Qty	Note
-	0000	861428	PANEL		1	
-	0087	805675A1	TOGGLE SWITCH		1	
-	0087	805676A1	SWITCH		1	
-	0087	805677A1	SWITCH		1	
-	0084	802667	HARNESS ASSEMBLY Instrument	(AMP CONNECTOR)	1	
-	0084	850781	HARNESS ASSEMBLY Extension	(AMP CONNECTOR)	1	
-	0084	850782	HARNESS ASSEMBLY Y Style	(AMP CONNECTOR)	1	
-	0084	860618	HARNESS ASSEMBLY Instrument	(DEUTSCH CONNECTOR)	1	
-	0084	860615	HARNESS ASSEMBLY (13 Feet)	(DEUTSCH CONNECTOR)	1	
-	0084	860617	HARNESS ASSEMBLY	(DEUTSCH CONNECTOR)	1	
-	0000	49734	SENDER		1	
-	0000	805268	SENDER		1	

Oil Reservoir Components (STERNDRIVE)

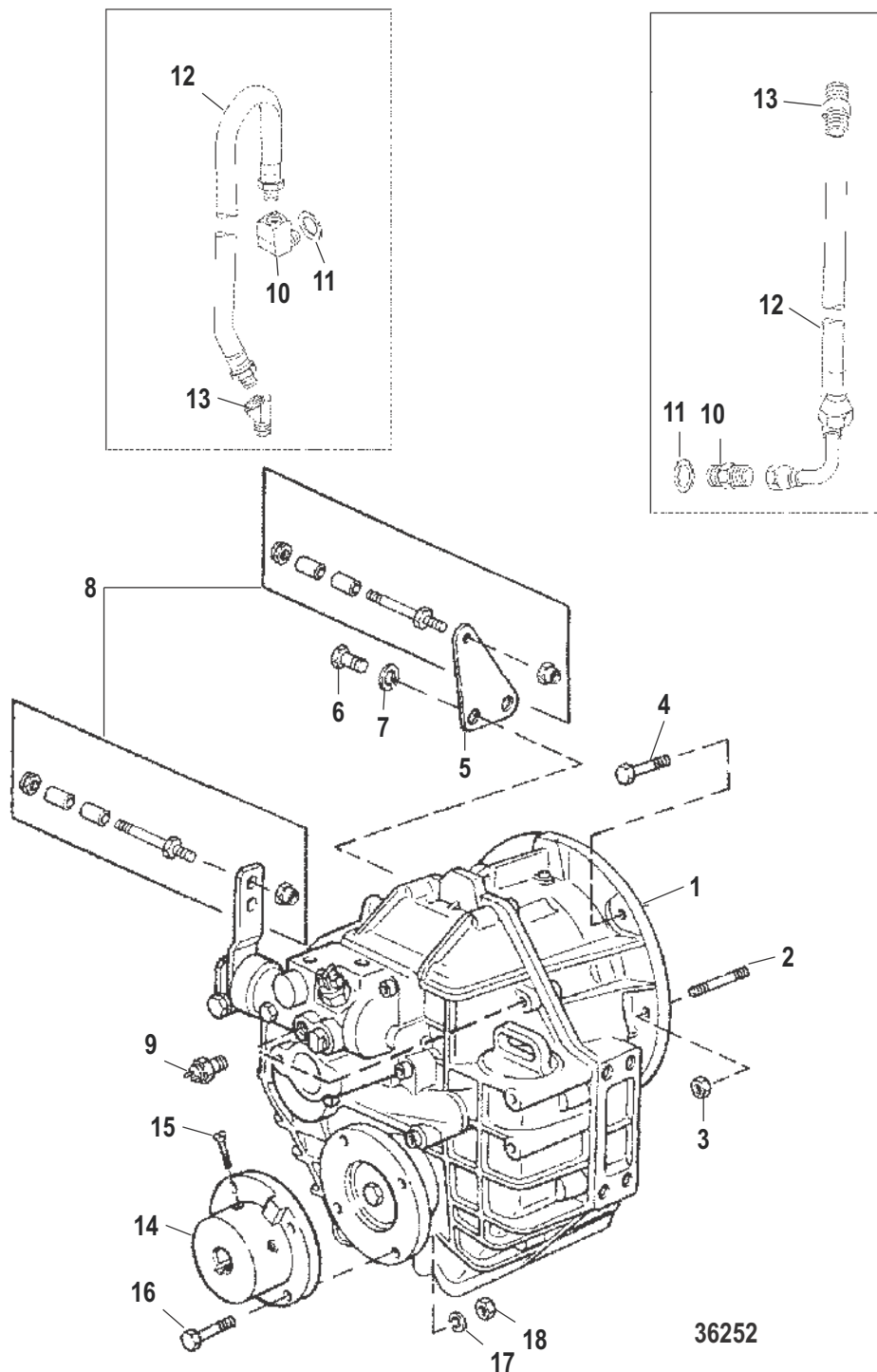


12826

Oil Reservoir Components (STERNDRIVE)

Ref #	Part Class	Part Number	Description	Comments	Qty	Note
1	0022	18922	CONNECTOR		1	
2	0025	201951	O-RING (.487 x .103)		1	
3	0012	861854	WASHER (.453 x .750 x .032) Stainless Steel		1	
4	0011	35053	NUT (.437-20)		1	
5	0022	18923	FITTING		1	
6	0054	415825	CLAMP Nylon		4	
7	0032	1940971	HOSE (54.00 Inches Bulk)		2	
8	0022	16739	CONNECTOR		1	
9	0054	642351	J CLIP		1	
10	0054	23567	CLIP		1	
11	0010	60605	SCREW (#10-16 x .750)		1	
12	0000	69205	C WASHER		1	
13	0000	806193A33	MONITOR ASSEMBLY Oil Drive Lube		1	
14	0036	8067271	CAP Drive Lube Monitor		1	
15	0022	808624	CONNECTOR Straight		1	
16	0000	860065A1	BRACKET KIT Oil Bottle		1	
17	0000	808023T	STRAP Bracket		1	
18	0010	854155	SCREW (M10 x 30)		2	
19	0012	811479	WASHER		2	
20	0011	854122	NUT (M10)		2	

TRANSMISSION AND RELATED PARTS (INBOARD)



TRANSMISSION AND RELATED PARTS (INBOARD)

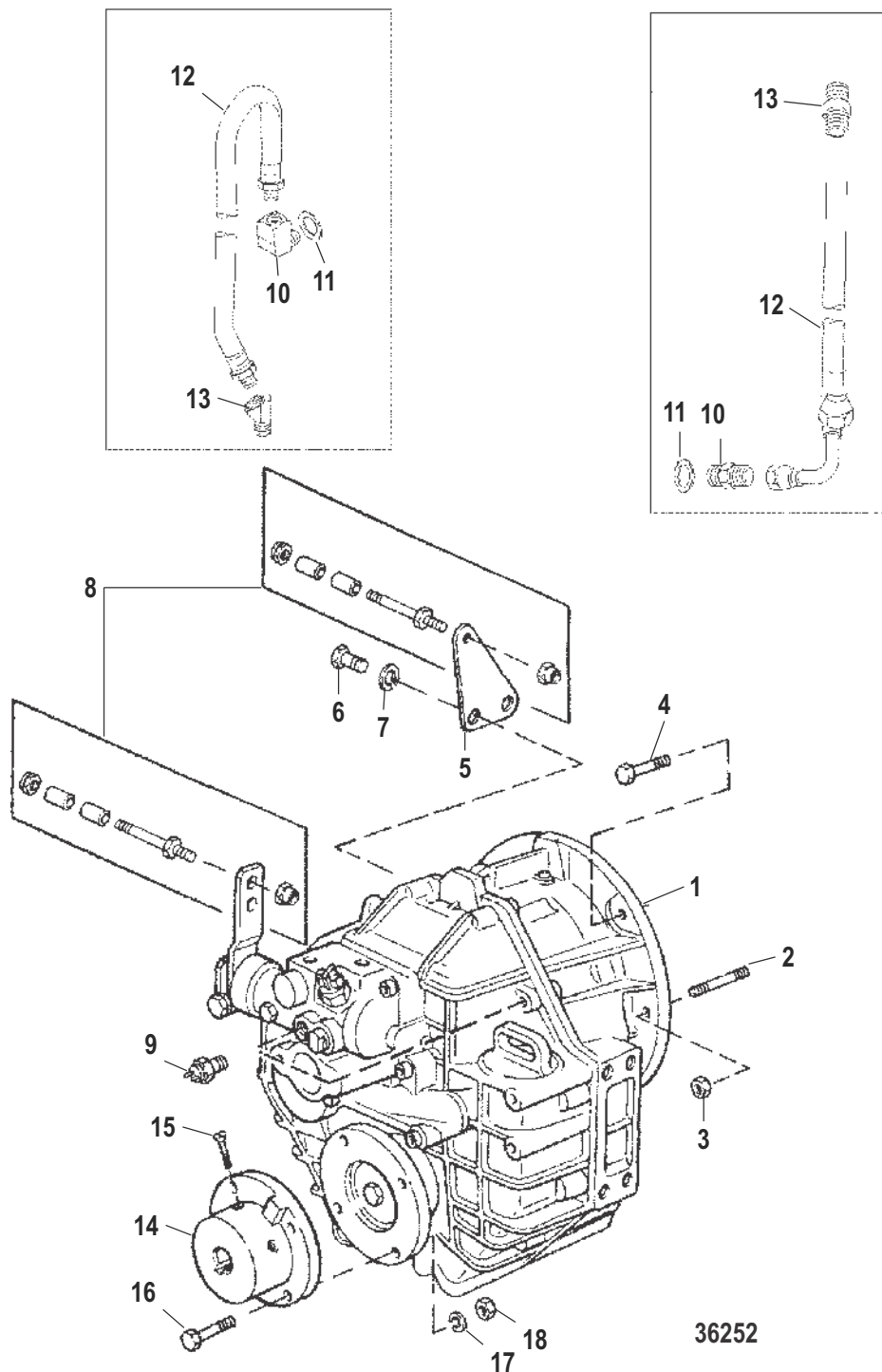
TRANSMISSION AND RELATED PARTS (INBOARD)

Ref #	Part Class	Part Number	Description	Comments	Qty	Note
1	0000	863744T2	TRANSMISSION (1.5:1 Ratio)	DOWN ANGLE	1	[1]
1	0000	18901A1	TRANSMISSION (2.0:1 Ratio)	DOWN ANGLE	1	[2]
1	0000	863744T4	TRANSMISSION (2.50:1 Ratio)	DOWN ANGLE	1	[3]
1	0000	863745T2	TRANSMISSION (1.5:1 Ratio)	V-DRIVE	1	[4]
1	0000	863745T3	TRANSMISSION (2.0:1 Ratio)	V-DRIVE	1	[5]
1	0000	863745T4	TRANSMISSION (2.5:1 Ratio)	V-DRIVE	1	[6]
2	0016	910002	STUD		2	
3	0011	809922113	NUT	Refer to MerCruiser Parts Bulletin 95-24	2	
4	0010	809913837	SCREW	Refer to MerCruiser Parts Bulletin 95-24	2	
5	0000	806238	BRACKET		1	
6	0010	809919969	SCREW		2	
7	0013	400247	LOCKWASHER (M8)		2	
8	0016	97477A3	STUD KIT		2	
9	0087	88031	SWITCH ASSEMBLY		1	
10	0022	35580	FITTING To Oil Cooler	DESIGN 1	2	
10	0022	855517	ELBOW To Transmission	DESIGN 2	2	
11	0012	855516	WASHER		2	
12	0032	8126998	HOSE ASSEMBLY (37.00 Inches)	DESIGN 1	1	
12	0032	81269939	HOSE (39.00 Inches Bulk)	DESIGN 1	1	
12	0032	855518	HOSE Oil (85 cm)	DESIGN 2	1	
12	0032	855519	HOSE Oil (93 cm)	DESIGN 2	1	
13	0022	63835	ELBOW 45 Degree To Transmission	DESIGN 1	2	
13	0022	803174	ELBOW To Oil Cooler	DESIGN 2	2	
14	0000	79476A1	FLANGE ASSEMBLY (5.00 x 1.00)		OPT	
14	0000	79476A2	FLANGE ASSEMBLY (5.00 x 1.125)		OPT	
14	0000	79476A3	FLANGE ASSEMBLY (5.00 x 1.25)		OPT	
14	0000	79476A4	FLANGE ASSEMBLY (5.00 x 1.375)		OPT	
14	0000	79476A5	FLANGE ASSEMBLY (5.00 x 1.50)		OPT	
14	0000	79476A6	FLANGE ASSEMBLY (5.00 x 1.75)		OPT	
14	0000	79476A7	FLANGE ASSEMBLY (5.00 x 2.00)		OPT	
15	0010	60171	SCREW (.375-16 x 1.250)		2	
15	0010	60169	SCREW (.375-16 x .750)		2	
16	0010	805159	SCREW (.437-20 x 1.500)		4	
17	0013	32993	LOCKWASHER (.437)		4	
18	0011	22024	NUT (.437-14)		4	
-	0000	877523	VALVE		OPT	

PART NOTES:

- [1] - Alternate part numbers:
863744T 2QS
896346701QS

TRANSMISSION AND RELATED PARTS (INBOARD)

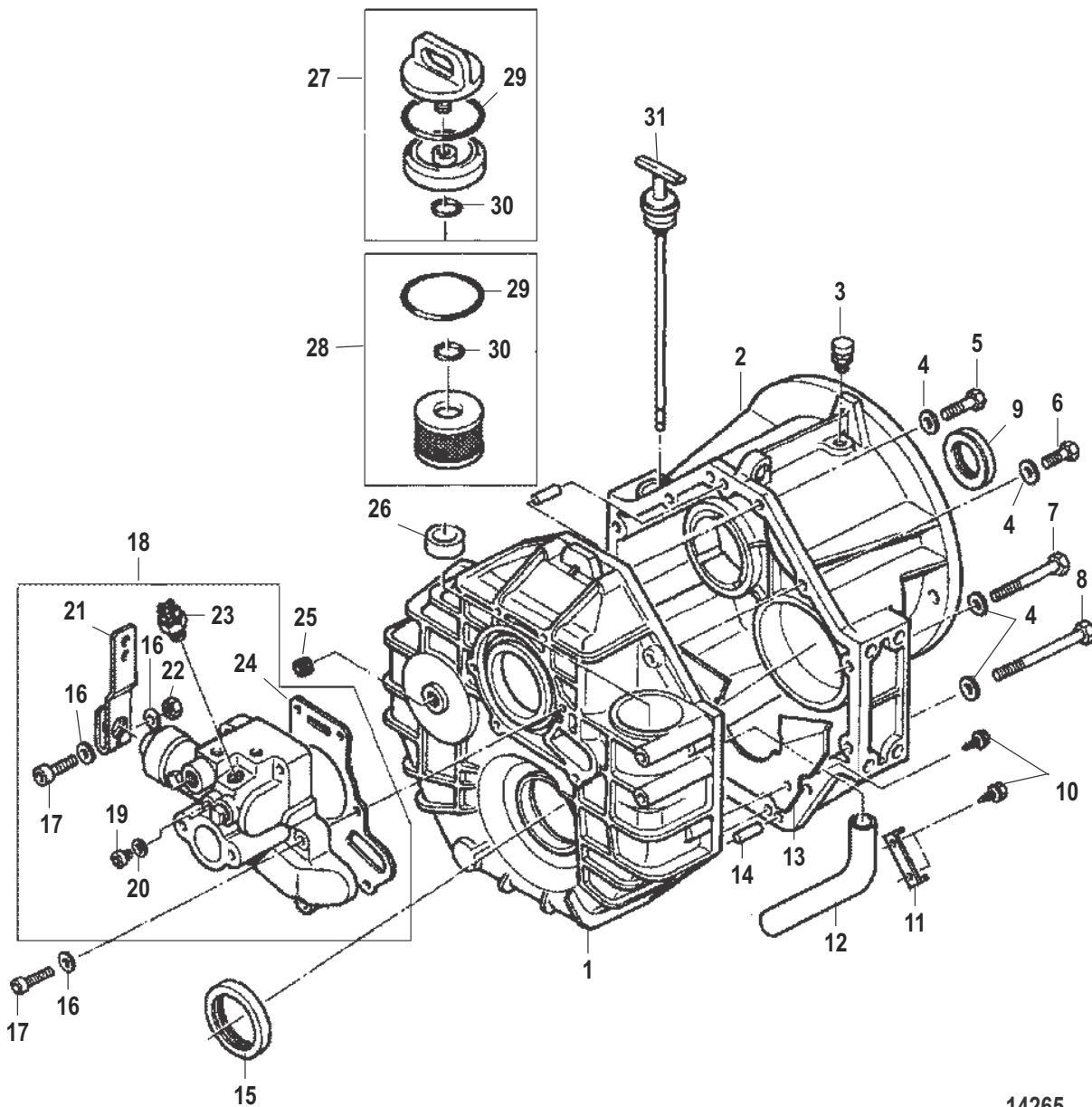


36252

TRANSMISSION AND RELATED PARTS (INBOARD)

- [2] - Alternate part numbers:
 - 18901A 1QS
 - 863744R03Reman
- [3] - Alternate part numbers:
 - 863744R04Reman
 - 863744T 4QS
 - 896346703QS
- [4] - Alternate part numbers:
 - 863745R02Reman
 - 863745T 2QS
 - 896346707QS
- [5] - Alternate part numbers:
 - 863745R03Reman
 - 863745T 3QS
 - 896346708QS
- [6] - Alternate part numbers:
 - 863745R04Reman
 - 863745T 4QS
 - 896346709QS

TRANSMISSION (DOWN ANGLE)(INBOARD)



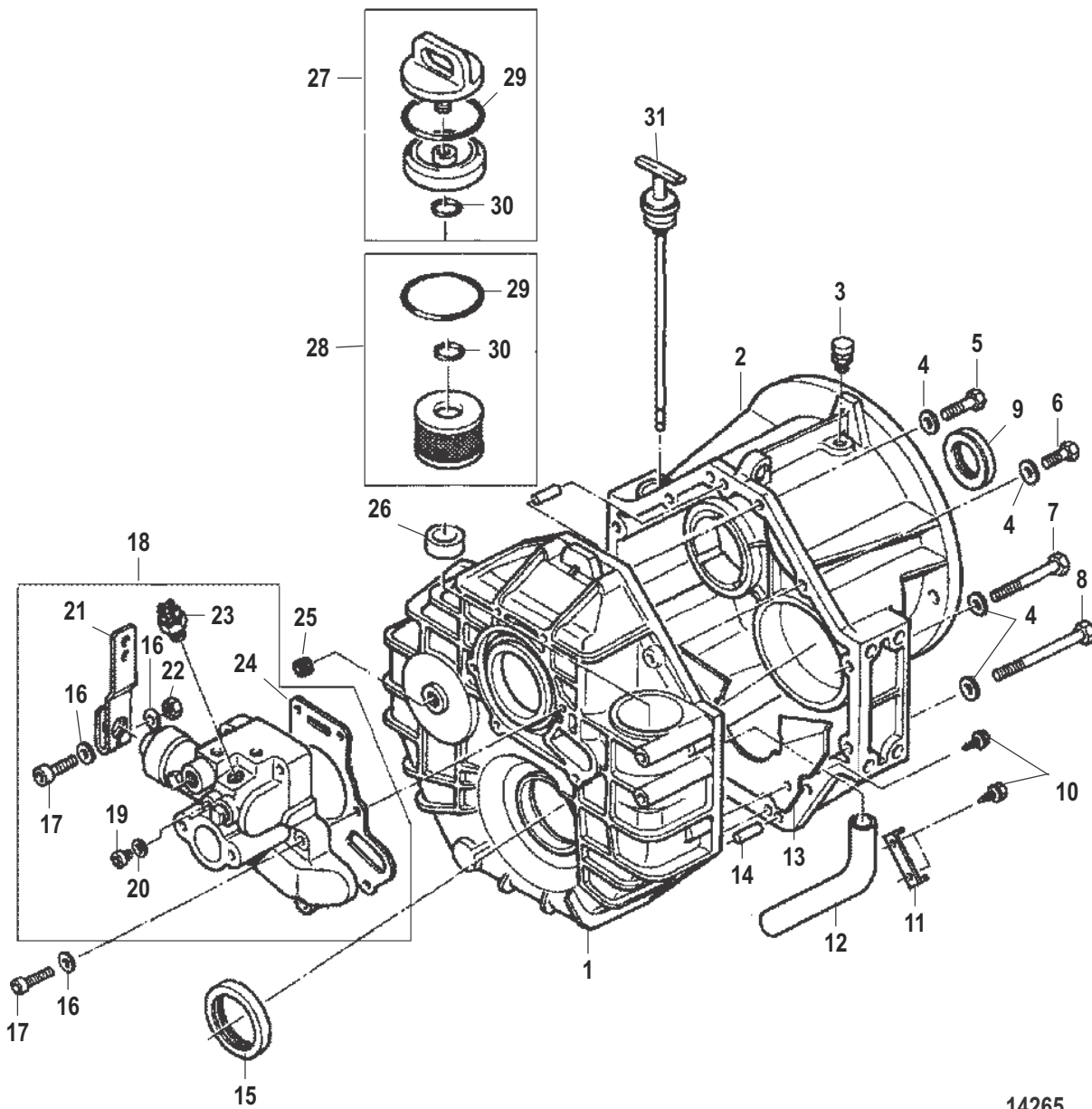
14265

TRANSMISSION (DOWN ANGLE)(INBOARD)

Ref #	Part Class	Part Number	Description	Comments	Qty	Note
-	0000	863744T2	TRANSMISSION (1.5:1 Ratio)		1	[1]
-	0000	18901A1	TRANSMISSION (2.0:1 Ratio)		1	[2]
-	0000	863744T4	TRANSMISSION (2.50:1 Ratio)		1	[3]
1	0000	813278	HOUSING	Refer to MerCruiser Parts Bulletin 95-24	1	
2	0000	813279	COVER	Refer to MerCruiser Parts Bulletin 95-24	1	
3	0000	813280	VENT CAP		1	
4	0013	813281	LOCKWASHER	Refer to MerCruiser Parts Bulletin 95-24	12	
5	0010	813282	SCREW		5	
6	0010	813283	SCREW	Refer to MerCruiser Parts Bulletin 95-24	1	
7	0010	813284	SCREW	Refer to MerCruiser Parts Bulletin 95-24	4	
8	0010	813285	SCREW	Refer to MerCruiser Parts Bulletin 95-24	2	
9	0026	813286	SEAL		1	
10	0010	813287	SCREW	Refer to MerCruiser Parts Bulletin 95-24	4	
11	0000	813288	PLATE Retaining		1	
12	0032	813289	HOSE	Refer to MerCruiser Parts Bulletin 95-24	1	
13	0000	813290	PLATE Baffle	Refer to MerCruiser Parts Bulletin 95-24	1	
14	0017	813291	PIN Dowel	Refer to MerCruiser Parts Bulletin 95-24	2	
15	0026	813292	SEAL		1	
16	0013	813293	LOCKWASHER	Refer to MerCruiser Parts Bulletin 95-24	7	
17	0010	813294	SCREW		7	
18	0000	813295	CONTROL BLOCK		1	
19	0010	813296	SCREW		1	
20	0012	813297	WASHER	Refer to MerCruiser Parts Bulletin 95-24	1	
21	0000	813298	LEVER Shift	Refer to MerCruiser Parts Bulletin 95-24	1	
22	0011	813299	NUT	Refer to MerCruiser Parts Bulletin 95-24	1	
23	0087	813300	SWITCH		1	
24	0027	813301	GASKET		1	
25	0022	813302	PLUG	Refer to MerCruiser Parts Bulletin 95-24	1	
26	0012	813303	WASHER	Refer to MerCruiser Parts Bulletin 95-24	1	
27	0036	811940	COVER KIT (INCLUDES REF. #29 and 30)	Refer to MerCruiser Parts Bulletin 95-24	1	
28	0035	815419	FLUID FILTER KIT		1	
29	0025	813407	O-RING		1	
30	0025	813406	O-RING		1	
31	0000	813305	DIPSTICK		1	

TRANSMISSION (DOWN ANGLE)(INBOARD)

TRANSMISSION (DOWN ANGLE)(INBOARD)



14265

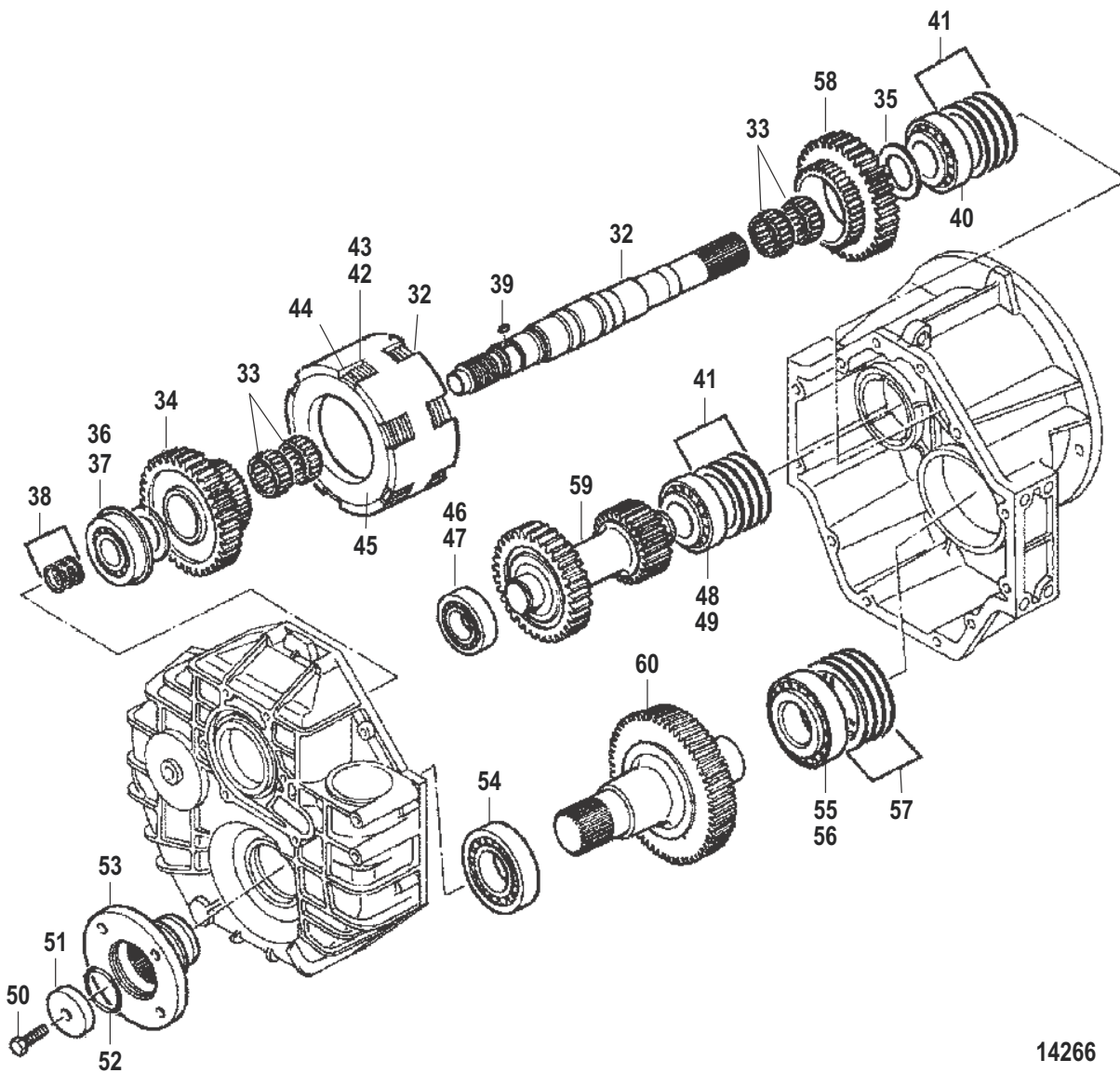
TRANSMISSION (DOWN ANGLE)(INBOARD)

TRANSMISSION (DOWN ANGLE)(INBOARD)

PART NOTES:

- [1] - Alternate part numbers:
863744T 2QS
896346701QS
- [2] - Alternate part numbers:
18901A 1QS
863744R03Reman
- [3] - Alternate part numbers:
863744R04Reman
863744T 4QS
896346703QS

TRANSMISSION (DOWN ANGLE)(INBOARD)



14266

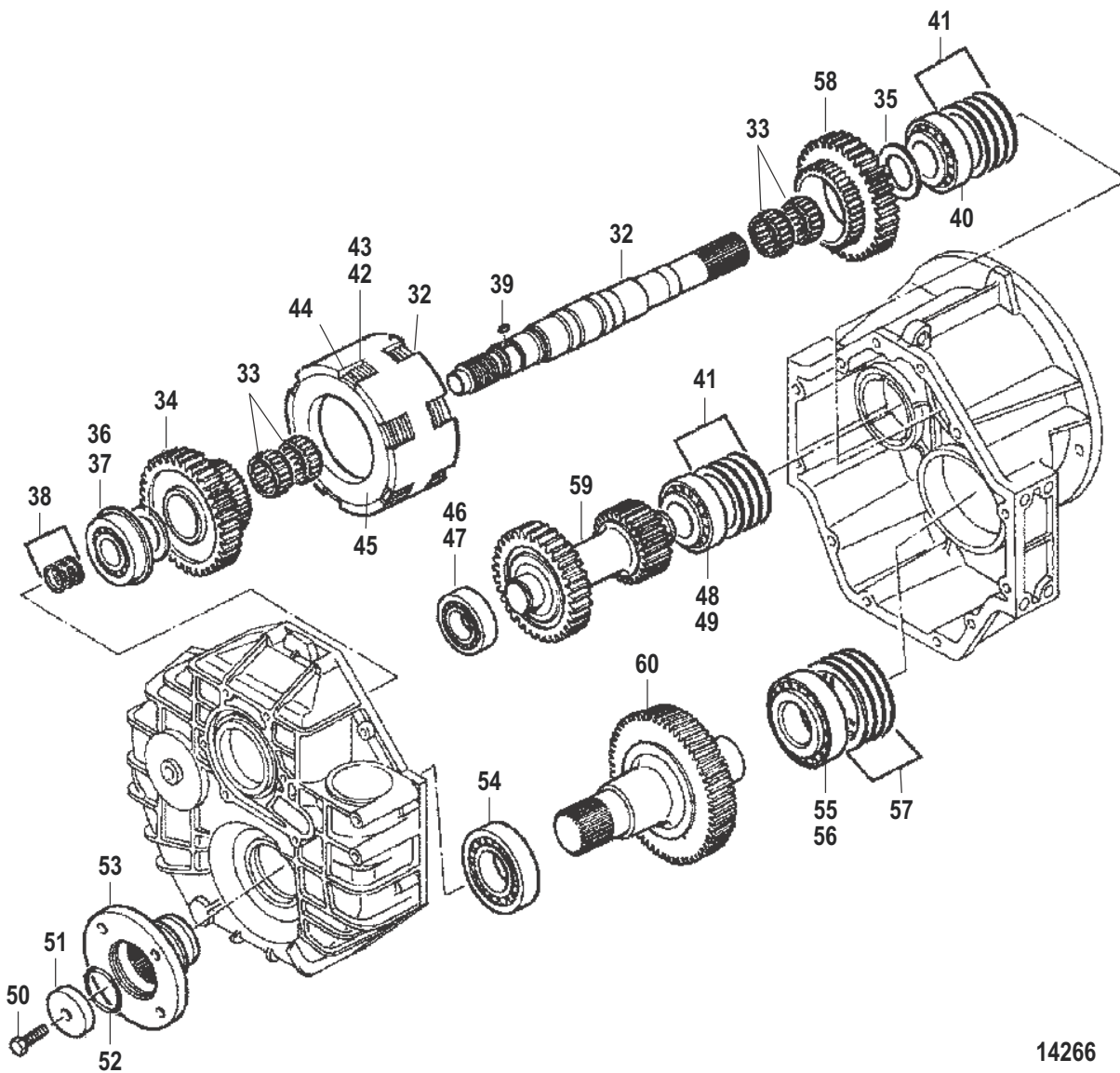
TRANSMISSION (DOWN ANGLE)(INBOARD)

TRANSMISSION (DOWN ANGLE)(INBOARD)

Ref #	Part Class	Part Number	Description	Comments	Qty	Note
-	0000	863744T2	TRANSMISSION (1.5:1 Ratio)		1	[1]
-	0000	18901A1	TRANSMISSION (2.0:1 Ratio)		1	[2]
-	0000	863744T4	TRANSMISSION (2.50:1 Ratio)		1	[3]
32	0000	813306	SHAFT Input	Refer to MerCruiser Parts Bulletin 95-24	1	
33	0031	813307	BEARING Roller	Refer to MerCruiser Parts Bulletin 95-24	4	
34	0043	813308	GEAR	Refer to MerCruiser Parts Bulletin 95-24	1	
35	0012	813309	WASHER	Refer to MerCruiser Parts Bulletin 95-24	2	
36	0031	852066	BEARING	(INNER)	1	
37	0028	853066	KEY	(OUTER)	1	
38	0053	813312	RING		3	
39	0028	813313	KEY	Refer to MerCruiser Parts Bulletin 95-24	1	
40	0030	813314	BEARING		1	
41	0015	813315	SHIM (.10 mm)		1	
41	0015	813316	SHIM (.15 mm)		1	
41	0015	813317	SHIM (.20 mm)		1	
41	0015	813318	SHIM (.50 mm)		1	
42	0000	813319	DISC (INNER)		4	
43	0000	813320	DISC (OUTER)		5	
44	0053	813321	RING		2	
45	0000	813322	PRESSURE DISC	Refer to MerCruiser Parts Bulletin 95-24	2	
46	0031	813323	BEARING Tapered Roller	(INNER) Refer to MerCruiser Parts Bulletin 95-24	1	
47	0031	813324	BEARING Tapered Roller	(OUTER) Refer to MerCruiser Parts Bulletin 95-24	1	
48	0031	813325	BEARING Tapered Roller	(INNER) Refer to MerCruiser Parts Bulletin 95-24	1	
49	0031	813326	BEARING Tapered Roller	(OUTER) Refer to MerCruiser Parts Bulletin 95-24	1	
50	0010	813327	SCREW	Refer to MerCruiser Parts Bulletin 95-24	1	
51	0023	813328	SPACER	Refer to MerCruiser Parts Bulletin 95-24	1	
52	0025	813329	O-RING	Refer to MerCruiser Parts Bulletin 95-24	1	
53	0000	813330	FLANGE Output		1	
54	0031	813331	BEARING Tapered Roller	Refer to MerCruiser Parts Bulletin 95-24	1	
55	0031	813332	BEARING Tapered Roller	(INNER) Refer to MerCruiser Parts Bulletin 95-24	1	

TRANSMISSION (DOWN ANGLE)(INBOARD)

TRANSMISSION (DOWN ANGLE)(INBOARD)



14266

TRANSMISSION (DOWN ANGLE)(INBOARD)

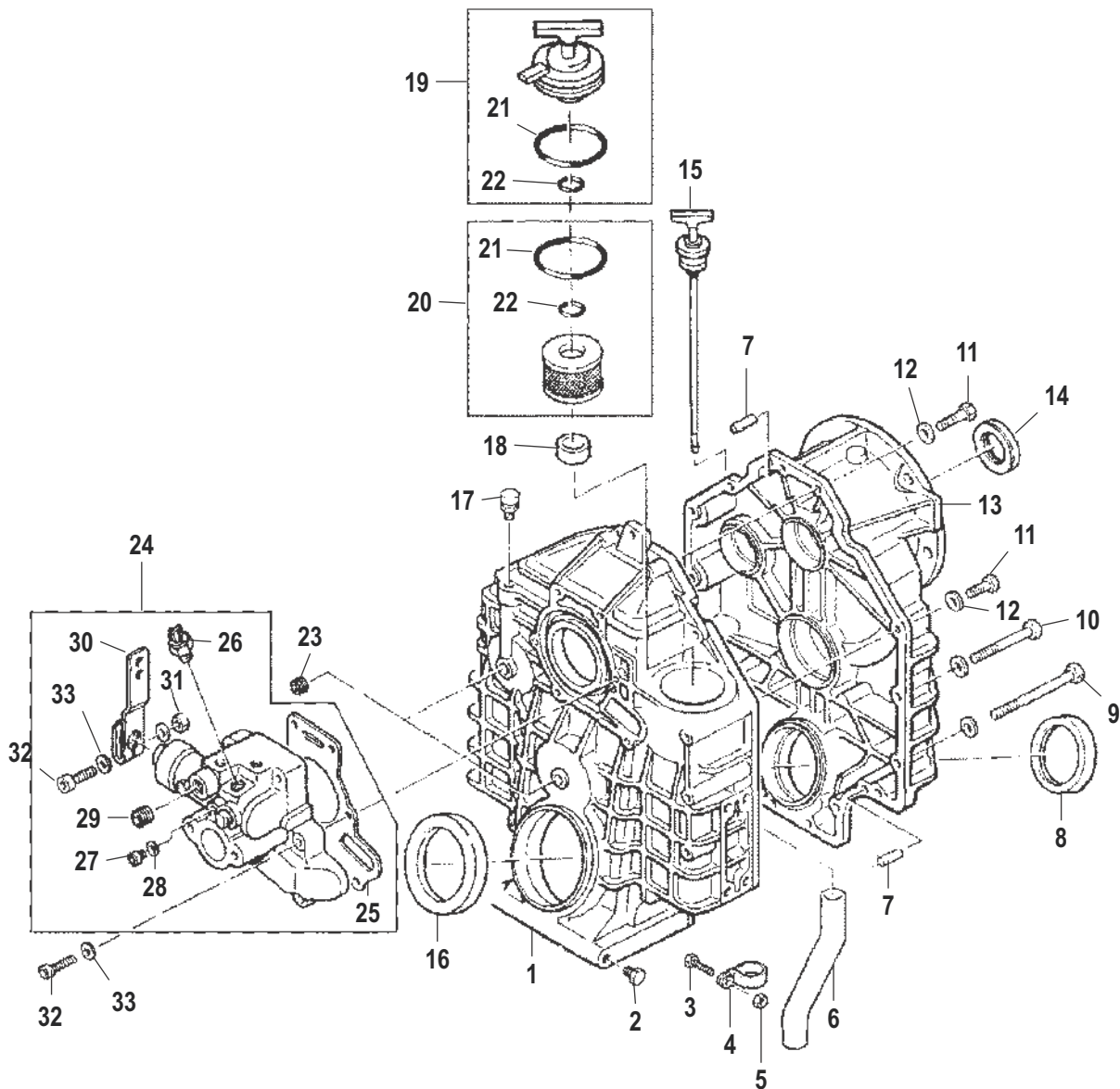
Ref #	Part Class	Part Number	Description	Comments	Qty	Note
56	0031	813333	BEARING Tapered Roller	(OUTER) Refer to MerCruiser Parts Bulletin 95-24	1	
57	0015	813334	SHIM (.10 mm)		1	
57	0015	813335	SHIM (.15 mm)		1	
57	0015	813336	SHIM (.30 mm)		1	
57	0015	813337	SHIM (.50 mm)		1	
58	0043	813338	GEAR	1.5:1 RATIO Refer to MerCruiser Parts Bulletin 95-24	1	
58	0043	813341	GEAR	2.0:1 RATIO Refer to MerCruiser Parts Bulletin 95-24	1	
58	0043	813344	GEAR	2.5:1 RATIO Refer to MerCruiser Parts Bulletin 95-24	1	
59	0000	813339	SHAFT Intermediate	1.5:1 RATIO Refer to MerCruiser Parts Bulletin 95-24	1	
59	0000	813342	SHAFT Intermediate	2.0:1 RATIO Refer to MerCruiser Parts Bulletin 95-24	1	
59	0000	813345	SHAFT Intermediate	2.5:1 RATIO Refer to MerCruiser Parts Bulletin 95-24	1	
60	0000	813340	SHAFT Output	1.5:1 RATIO Refer to MerCruiser Parts Bulletin 95-24	1	
60	0000	813343	SHAFT Output	2.0:1 RATIO Refer to MerCruiser Parts Bulletin 95-24	1	
60	0000	813346	SHAFT Output	2.5:1 RATIO Refer to MerCruiser Parts Bulletin 95-24	1	

PART NOTES:

- [1] - Alternate part numbers:
863744T 2QS
896346701QS
- [2] - Alternate part numbers:
18901A 1QS
863744R03Reman
- [3] - Alternate part numbers:
863744R04Reman
863744T 4QS
896346703QS

TRANSMISSION (DOWN ANGLE)(INBOARD)

TRANSMISSION (V-DRIVE)(INBOARD)



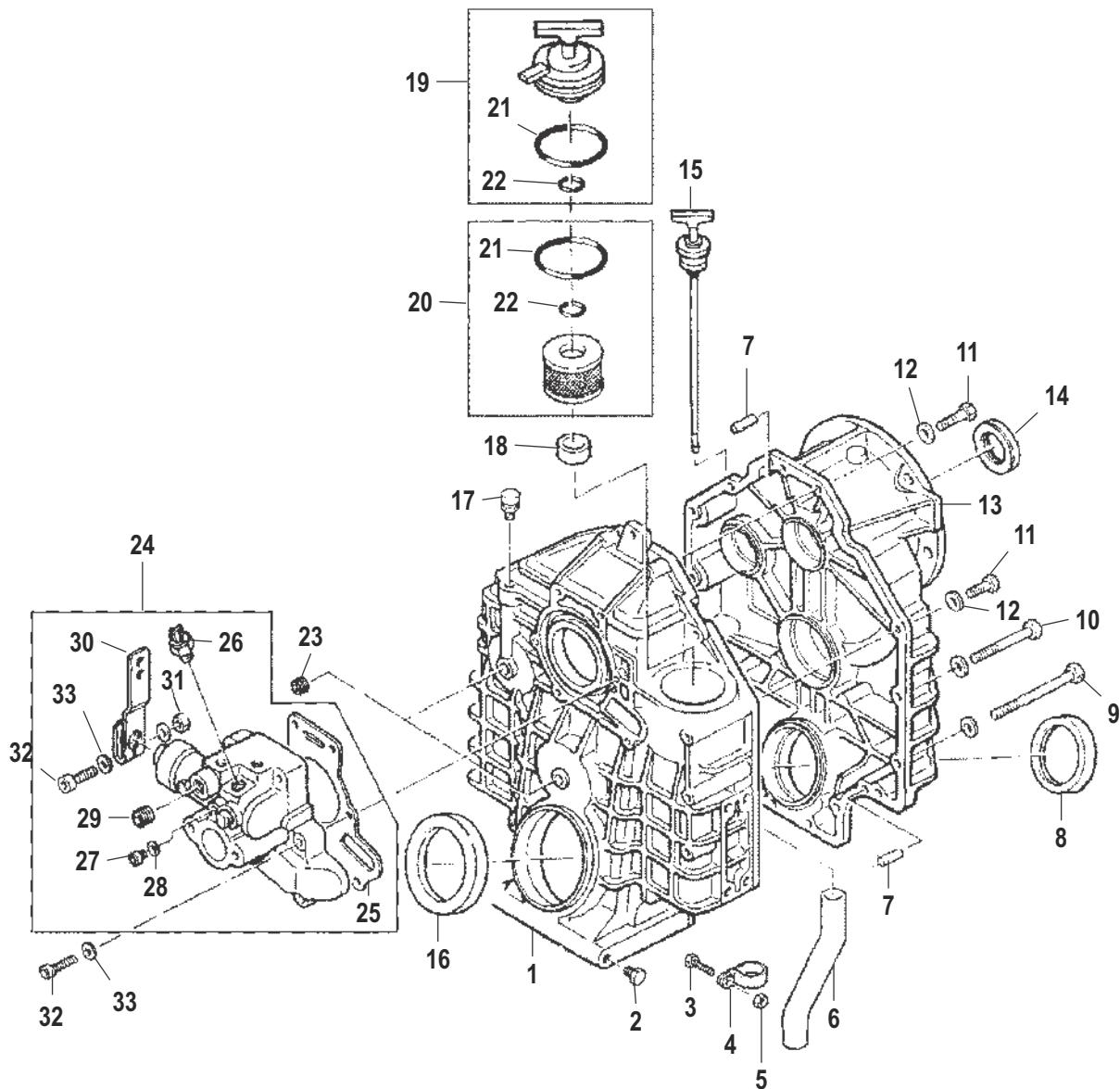
14267

TRANSMISSION (V-DRIVE)(INBOARD)

Ref #	Part Class	Part Number	Description	Comments	Qty	Note
-	0000	863745T2	TRANSMISSION (1.5:1 Ratio)		1	[1]
-	0000	863745T3	TRANSMISSION (2.0:1 Ratio)		1	[2]
-	0000	863745T4	TRANSMISSION (2.5:1 Ratio)		1	[3]
1	0000	811961	HOUSING Control Side	Refer to MerCruiser Parts Bulletin 95-24	1	
2	0019	811966	PLUG	Refer to MerCruiser Parts Bulletin 95-24	1	
3	0010	811953	SCREW	Refer to MerCruiser Parts Bulletin 95-24	1	
4	0054	811965	CLAMP	Refer to MerCruiser Parts Bulletin 95-24	1	
5	0011	811954	NUT	Refer to MerCruiser Parts Bulletin 95-24	1	
6	0032	811962	HOSE Suction	Refer to MerCruiser Parts Bulletin 95-24	1	
7	0017	813291	PIN Dowel	Refer to MerCruiser Parts Bulletin 95-24	2	
8	0026	811957	SEAL		1	
9	0010	813285	SCREW	Refer to MerCruiser Parts Bulletin 95-24	2	
10	0010	813284	SCREW	Refer to MerCruiser Parts Bulletin 95-24	2	
11	0010	813282	SCREW		12	
12	0013	813281	LOCKWASHER	Refer to MerCruiser Parts Bulletin 95-24	16	
13	0000	811960	HOUSING Input Side	Refer to MerCruiser Parts Bulletin 95-24	1	
14	0026	813286	SEAL		1	
15	0000	811964	DIPSTICK		1	
16	0026	811956	SEAL		1	
17	0000	813280	VENT CAP		1	
18	0012	813303	WASHER	Refer to MerCruiser Parts Bulletin 95-24	1	
19	0036	811963	COVER KIT	(INCLUDES REF. #21 & 22) Refer to MerCruiser Parts Bulletin 95-24	1	
20	0035	815419	FLUID FILTER KIT		1	
21	0025	813407	O-RING		1	
22	0025	813406	O-RING	Refer to MerCruiser Parts Bulletin 95-24	1	
23	0022	813302	PLUG		2	
24	0000	813295	CONTROL BLOCK		1	
25	0027	813301	GASKET		1	
26	0087	813300	SWITCH		1	
27	0010	813296	SCREW		1	
28	0012	811958	WASHER	Refer to MerCruiser Parts Bulletin 95-24	1	
29	0022	811959	PLUG	Refer to MerCruiser Parts Bulletin 95-24	1	
30	0000	813298	LEVER Shift	Refer to MerCruiser Parts Bulletin 95-24	1	

TRANSMISSION (V-DRIVE)(INBOARD)

TRANSMISSION (V-DRIVE)(INBOARD)



14267

TRANSMISSION (V-DRIVE)(INBOARD)

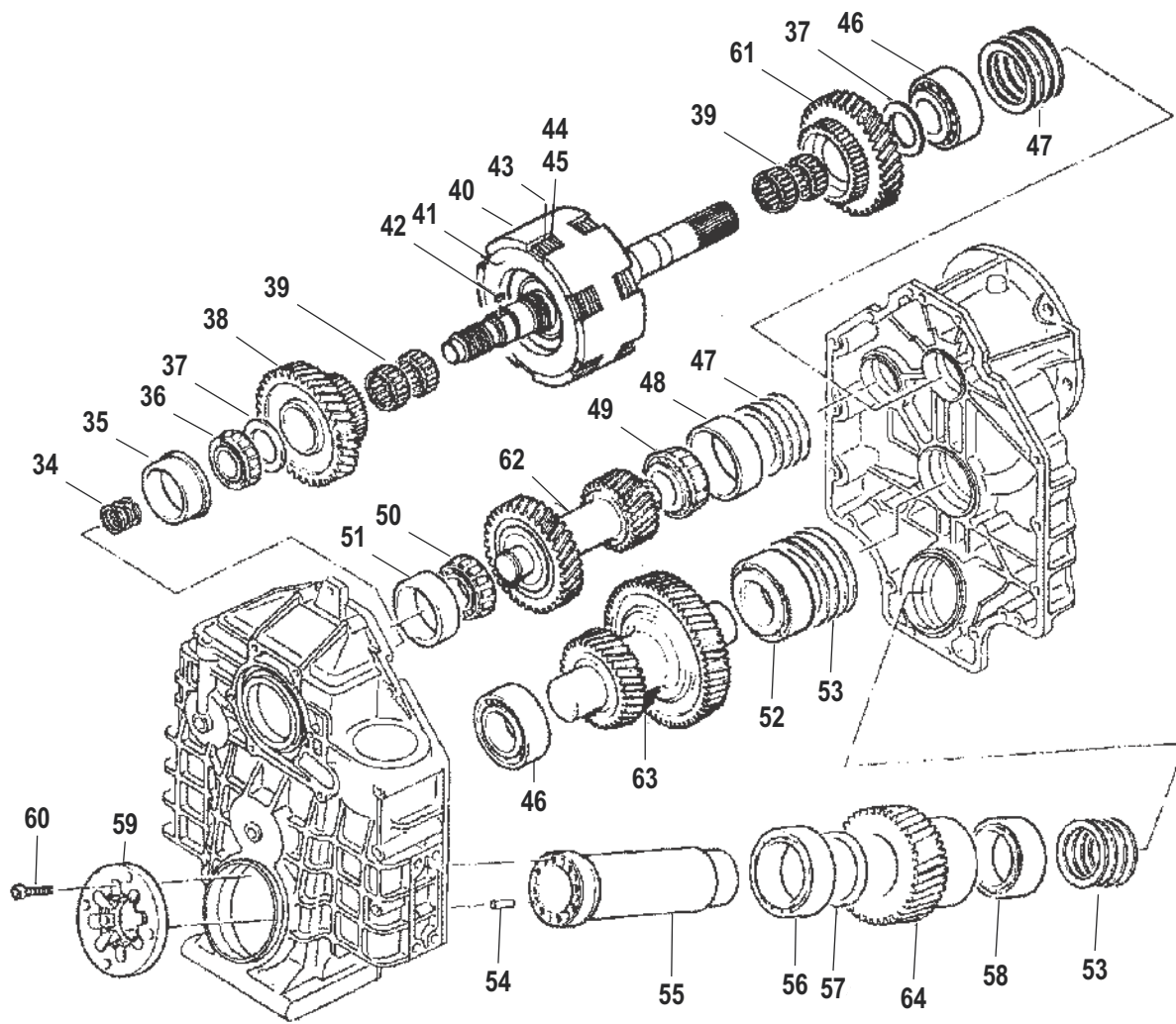
TRANSMISSION (V-DRIVE)(INBOARD)

Ref #	Part Class	Part Number	Description	Comments	Qty	Note
31	0011	813299	NUT	Refer to MerCruiser Parts Bulletin 95-24	1	
32	0010	813294	SCREW		7	
33	0013	813293	LOCKWASHER		7	

PART NOTES:

- [1] - Alternate part numbers:
863745R02Reman
863745T 2QS
896346707QS
- [2] - Alternate part numbers:
863745R03Reman
863745T 3QS
896346708QS
- [3] - Alternate part numbers:
863745R04Reman
863745T 4QS
896346709QS

TRANSMISSION (V-DRIVE)(INBOARD)



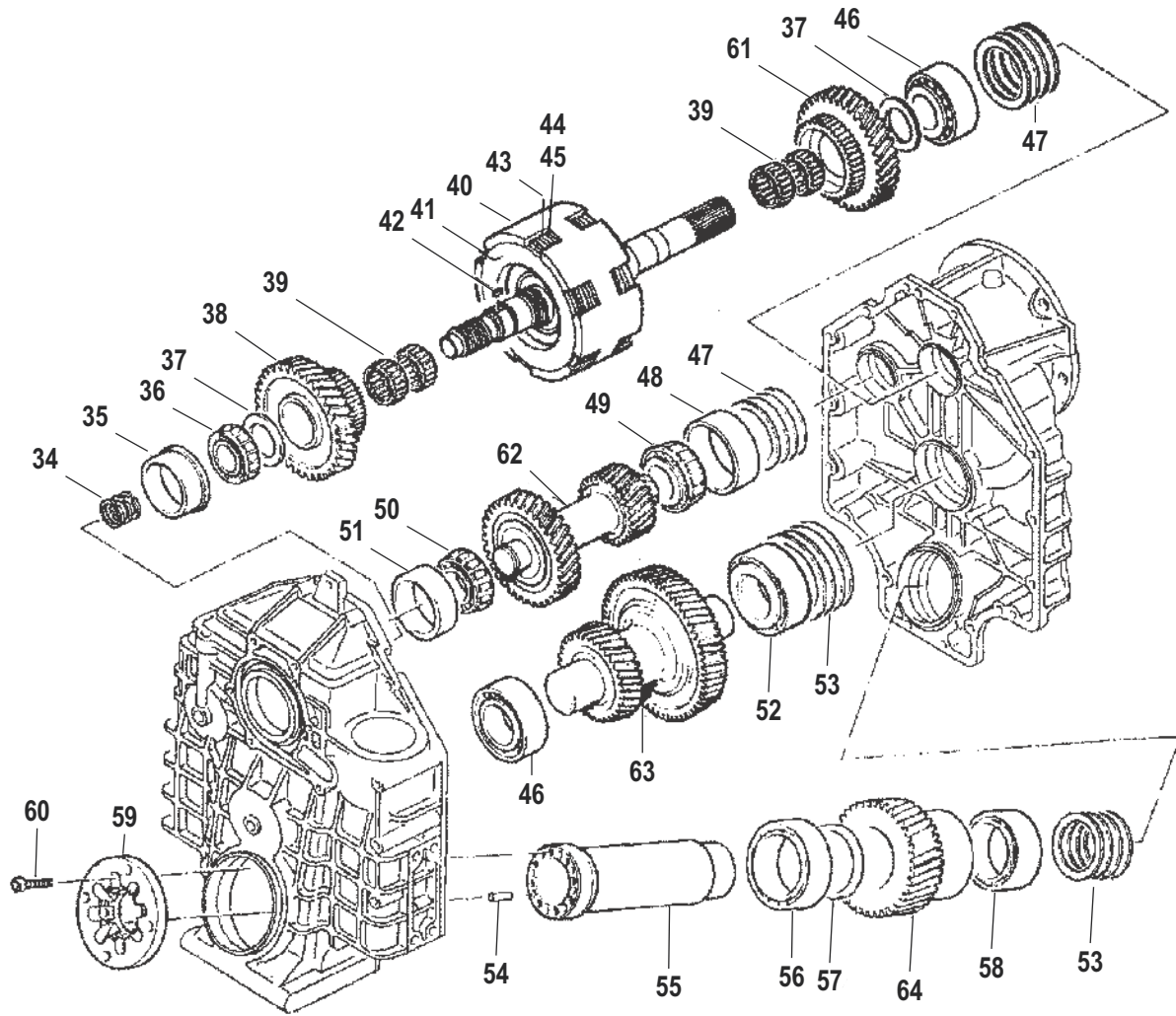
14216

TRANSMISSION (V-DRIVE)(INBOARD)

Ref #	Part Class	Part Number	Description	Comments	Qty	Note
-	0000	863745T2	TRANSMISSION (1.5:1 Ratio)		1	[1]
-	0000	863745T3	TRANSMISSION (2.0:1 Ratio)		1	[2]
-	0000	863745T4	TRANSMISSION (2.5:1 Ratio)		1	[3]
34	0053	813312	RING		3	
35	0031	811970	BEARING Tapered Roller Cup	Refer to MerCruiser Parts Bulletin 95-24	1	
36	0031	811969	BEARING Tapered Roller Cone	Refer to MerCruiser Parts Bulletin 95-24	1	
37	0012	811967	WASHER	Refer to MerCruiser Parts Bulletin 95-24	2	
38	0043	813308	GEAR	Refer to MerCruiser Parts Bulletin 95-24	1	
39	0031	813307	BEARING Roller	Refer to MerCruiser Parts Bulletin 95-24	4	
40	0000	813306	SHAFT Input	Refer to MerCruiser Parts Bulletin 95-24	1	
41	0000	813322	PRESSURE DISC	Refer to MerCruiser Parts Bulletin 95-24	2	
42	0028	813313	KEY	Refer to MerCruiser Parts Bulletin 95-24	1	
43	0053	813321	RING		2	
44	0000	813319	DISC (INNER)		8	
45	0000	813320	DISC (OUTER)		10	
46	0030	811968	BEARING Ball	Refer to MerCruiser Parts Bulletin 95-24	2	
47	0015	813315	SHIM (.10 mm)		1	
47	0015	813316	SHIM (.15 mm)		1	
47	0015	813317	SHIM (.20 mm)		1	
47	0015	813318	SHIM (.50 mm)		1	
48	0031	811979	BEARING Tapered Roller Cup	Refer to MerCruiser Parts Bulletin 95-24	1	
49	0031	811978	BEARING Tapered Roller Cone	Refer to MerCruiser Parts Bulletin 95-24	1	
50	0031	811971	BEARING Tapered Roller Cone	Refer to MerCruiser Parts Bulletin 95-24	1	
51	0031	811977	BEARING Tapered Roller Cup	Refer to MerCruiser Parts Bulletin 95-24	1	
52	0031	811972	BEARING Tapered Roller	Refer to MerCruiser Parts Bulletin 95-24	1	
53	0015	811973	SHIM	(.10MM) Refer to MerCruiser Parts Bulletin 95-24	2	
53	0015	811974	SHIM	(.15MM) Refer to MerCruiser Parts Bulletin 95-24	2	
53	0015	811975	SHIM	(.30MM) (Refer to MerCruiser Parts Bulletin 95-24	2	
53	0015	811976	SHIM	(.50MM) Refer to MerCruiser Parts Bulletin 95-24	2	
54	0017	811984	PIN Dowel	Refer to MerCruiser Parts Bulletin 95-24	4	

TRANSMISSION (V-DRIVE)(INBOARD)

TRANSMISSION (V-DRIVE)(INBOARD)



14216

TRANSMISSION (V-DRIVE)(INBOARD)

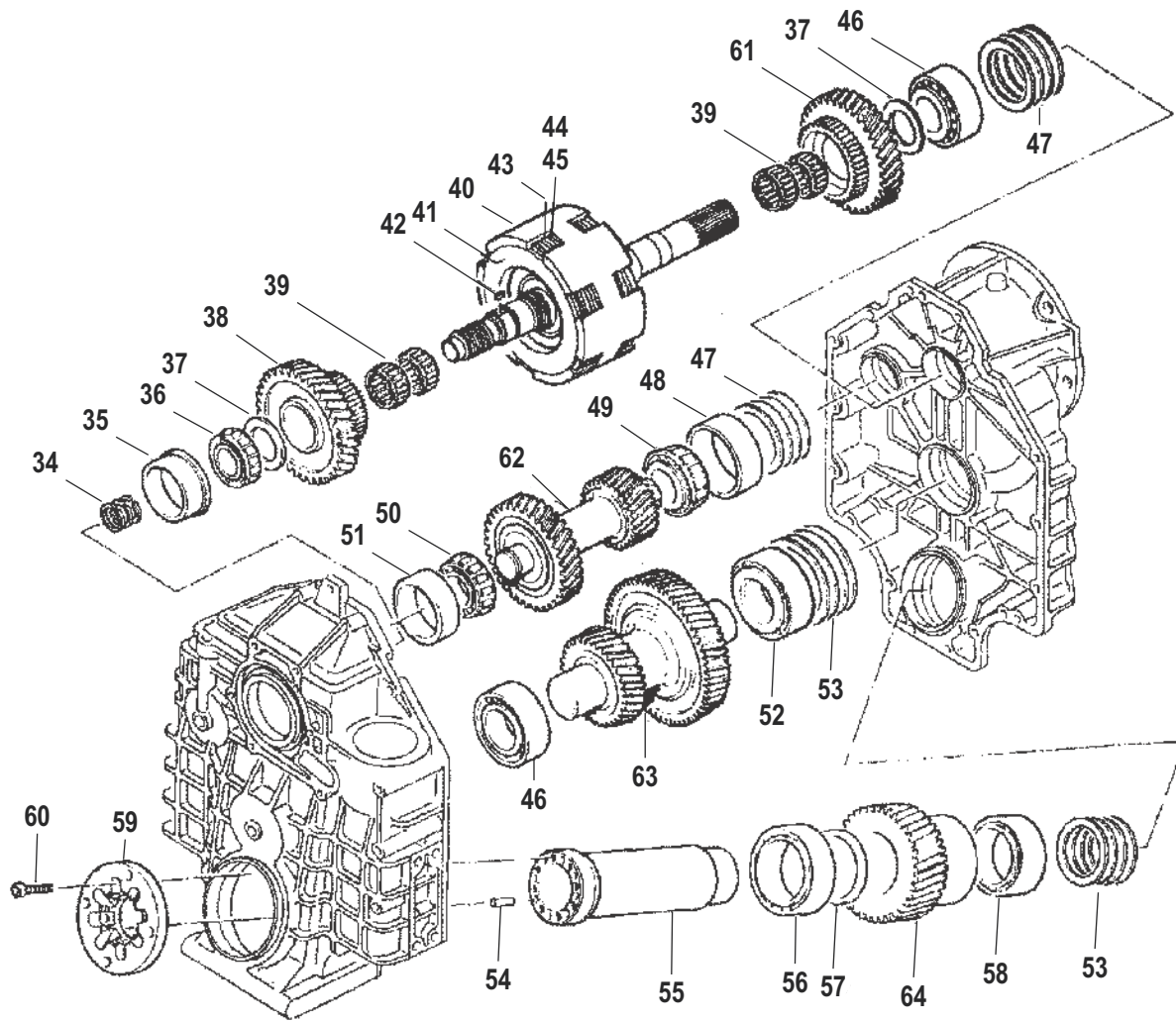
Ref #	Part Class	Part Number	Description	Comments	Qty	Note
55	0000	811980	SHAFT Output		1	
56	0031	811985	BEARING Tapered Roller	Refer to MerCruiser Parts Bulletin 95-24	1	
57	0012	811981	WASHER	Refer to MerCruiser Parts Bulletin 95-24	1	
58	0031	811986	BEARING Tapered Roller	Refer to MerCruiser Parts Bulletin 95-24	1	
59	0000	811982	FLANGE		1	
60	0010	811983	SCREW	Refer to MerCruiser Parts Bulletin 95-24	8	
61	0043	811987	GEAR	1.5:1 RATIO Refer to MerCruiser Parts Bulletin 95-24	1	
61	0043	811949	GEAR	2.0:1 RATIO Refer to MerCruiser Parts Bulletin 95-24	1	
61	0043	811949	GEAR	2.5:1 RATIO Refer to MerCruiser Parts Bulletin 95-24	1	
62	0000	811951	SHAFT Reversing	1.5:1 RATIO Refer to MerCruiser Parts Bulletin 95-24	1	
62	0000	811947	SHAFT Reversing	2.0:1 RATIO Refer to MerCruiser Parts Bulletin 95-24	1	
62	0000	811947	SHAFT Reversing	2.5:1 RATIO Refer to MerCruiser Parts Bulletin 95-24	1	
63	0000	811952	SHAFT Intermediate	1.5:1 RATIO Refer to MerCruiser Parts Bulletin 95-24	1	
63	0000	811948	SHAFT Intermediate	2.0:1 RATIO Refer to MerCruiser Parts Bulletin 95-24	1	
63	0000	811946	SHAFT Intermediate	2.5:1 RATIO Refer to MerCruiser Parts Bulletin 95-24	1	
64	0043	811950	GEAR	1.5:1 RATIO Refer to MerCruiser Parts Bulletin 95-24	1	
64	0043	811950	GEAR	2.0:1 RATIO Refer to MerCruiser Parts Bulletin 95-24	1	
64	0043	811945	GEAR	2.5:1 RATIO Refer to MerCruiser Parts Bulletin 95-24	1	

PART NOTES:

- [1] - Alternate part numbers:
863745R02Reman
863745T 2QS
896346707QS

TRANSMISSION (V-DRIVE)(INBOARD)

TRANSMISSION (V-DRIVE)(INBOARD)



14216

TRANSMISSION (V-DRIVE)(INBOARD)

[2] - Alternate part numbers:

863745R03Reman

863745T 3QS

896346708QS

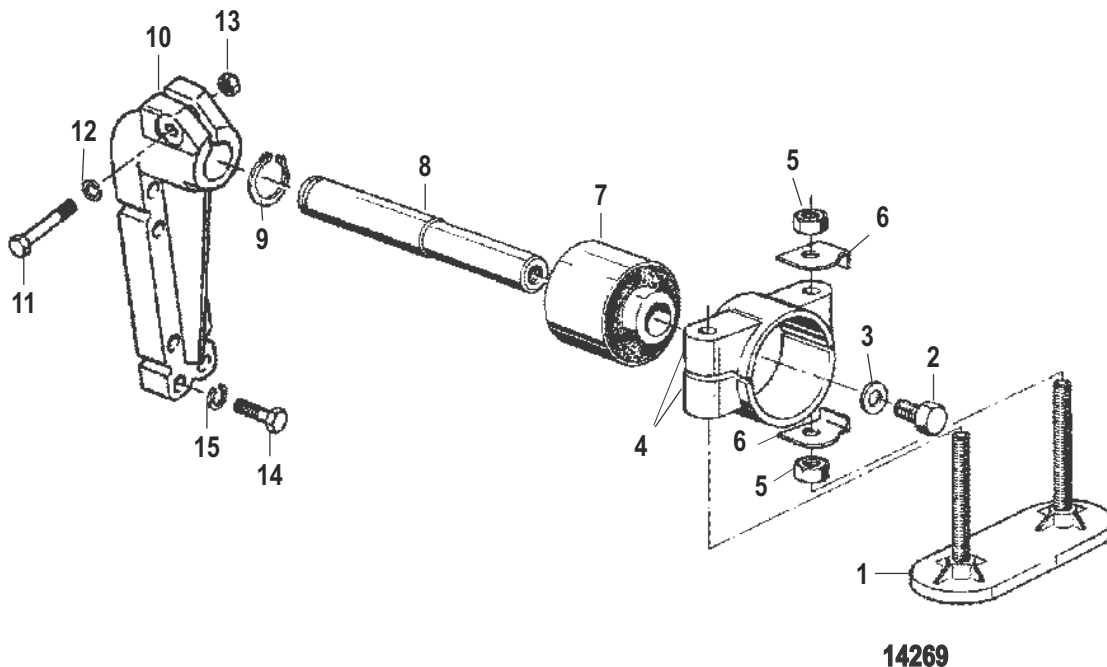
[3] - Alternate part numbers:

863745R04Reman

863745T 4QS

896346709QS

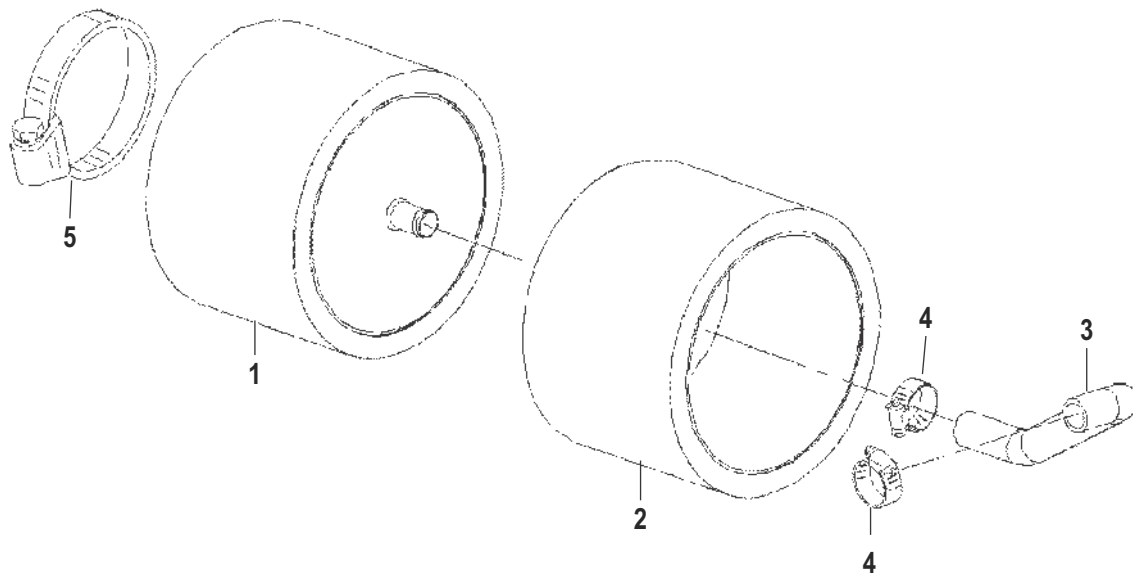
Transmission Mounting (Inboard)



Transmission Mounting (Inboard)

Ref #	Part Class	Part Number	Description	Comments	Qty	Note
1	0000	801765040	BASE		2	
2	0010	809913815	SCREW		2	
3	0012	809936436	WASHER		2	
4	0000	801765035	HOUSING		4	
5	0011	809923100	NUT		8	
6	0014	801765045	WASHER		8	
7	0023	801763874	BUSHING		2	
8	0017	816913	PIN		2	
9	0053	809934175	RING		2	
10	0000	814158T	BRACKET		2	
11	0010	809913859	SCREW		2	
12	0013	809931076	LOCKWASHER		2	
13	0011	809922113	NUT		2	
14	0010	806195	SCREW (M12 x 45)		8	
15	0013	809933127	LOCKWASHER		8	

AIR CLEANER



14270

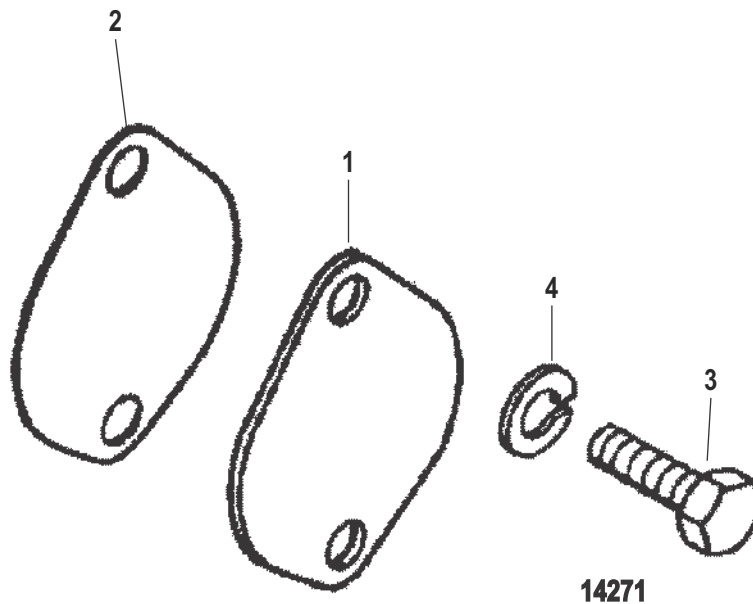
Cat.# 90-854190

AIR CLEANER

Ref #	Part Class	Part Number	Description	Comments	Qty	Note
1	0000	855514	CLEANER Air	(2.8L)	1	
1	0000	803628	CLEANER Air	(4.2L)	1	
2	0035	805312	ELEMENT		1	
3	0032	854188	HOSE		1	
4	0054	854189	CLAMP Hose		2	
5	0054	815504348	CLAMP Worm Gear		1	

AIR CLEANER

Gimbal Housing Cover (Sterndrive)



Cat.# 90-854190

Gimbal Housing Cover (Sterndrive)

Ref #	Part Class	Part Number	Description	Comments	Qty	Note
1	0000	818304A1	BLOCK OFF KIT		1	
2	0027	818305	GASKET		1	
3	0010	28636	SCREW (.250-20 x .750)		2	
4	0013	26992	LOCKWASHER (.250) Stainless Steel		2	

Gimbal Housing Cover (Sterndrive)

PARTS INDEX

Part No.	Description	Pg.	Ref.no	Part No.	Description	Pg.	Ref.no
12009	BUSHING (.31 x .45 x .50)	92	7	123811	RETAINER	94	3
13743	SCREW (.312-18 x 1.843)	94	14	138981	LEVER	94	13
16739	CONNECTOR	104	8	18311T10	COUPLING ASSEMBLY	32	30
18718A7	HOUSING ASSEMBLY	32	21	18825A2	PUMP ASSEMBLY	92	1
18901A1	TRANSMISSION (2.0:1 Ratio)	106	1	18901A1	TRANSMISSION (2.0:1 Ratio)	110	-
18901A1	TRANSMISSION (2.0:1 Ratio)	114	-	18904	CLIP	58	15
18904	CLIP	58	25	18922	CONNECTOR	104	1
18923	FITTING	104	5	1940971	HOSE (54.00 Inches Bulk)	104	7
19485	FILTER	54	1	1983389	HOSE	98	6
201951	O-RING (.487 x .103)	104	2	21071	COTTER PIN	94	16
22024	NUT (.437-14)	106	18	23567	CLIP	104	10
26419	NUT (#8-32) Brass	100	-	26992	LOCKWASHER (.250) Stainless Steel	34	40
26992	LOCKWASHER (.250) Stainless Steel	78	3	26992	LOCKWASHER (.250) Stainless Steel	132	4
26996	LOCKWASHER (#10) Stainless Steel	78	5	28636	SCREW (.250-20 x .750)	132	3
30164	WASHER (.192 x .375 x .0312) Stainless Steel	82	10	32857	COTTER PIN	94	6
32993	LOCKWASHER (.437)	106	17	35053	NUT (.437-20)	104	4
35386	SCREW (.312-18 x 1.00)	78	13	35462	WASHER (.2656 x .625 x .0625) Stainless Steel	94	9
35580	FITTING To Oil Cooler	106	10	36382	FITTING (.250-18 x .62) Brass	46	7
40001124	SCREW (M8 x 14)	96	8	4000116	SCREW (M5 x 20)	82	6
40001188	SCREW (M10 x 20)	82	4	40001189	SCREW (M10 x 20)	32	34
40001206	SCREW (M10 x 50)	32	24	40001209	SCREW (M10 x 60)	4	22
4000175	SCREW (M6 x 20)	34	39	4000338	SCREW (M6 x 78)	62	15
4000359	SCREW (M8 x 60)	62	8	4000363	SCREW (M8 x 100)	62	9
4000382	SCREW (M10 x 60)	78	16	400212	NUT (M6) Stainless Steel	66	18
400213	NUT (M8) Stainless Steel	58	18	4002217	WASHER	8	19
4002217	WASHER	26	20	4002217	WASHER	88	12
4002220	WASHER	82	5	4002318	WASHER	92	6
400247	LOCKWASHER (M8)	92	5	400247	LOCKWASHER (M8)	106	7
400248	LOCKWASHER (M10)	32	35	400248	LOCKWASHER (M10)	32	37
400248	LOCKWASHER (M10)	62	6	400256	LOCKWASHER (M6)	62	17
400257	LOCKWASHER (M8)	62	10	4007154	SCREW (M8 x 30)	58	17
4013610	NUT (M10) Stainless Steel	78	19	401388	NUT (M8) Stainless Steel	58	20
41471	LOCKWASHER (.375)	48	40	415825	CLAMP Nylon	104	6
42600A3	CONTROLLER ASSEMBLY	82	1	44348T	TUBE	48	41
49099	FITTING	32	33	49734	SENDER	16	29
49734	SENDER	70	20	49734	SENDER	102	-
52382	BUSHING	16	27	53166	LOCKWASHER (.312)	78	14
53167	SCREW (.312-18 x .880)	94	5	56720	WASHER (.330 x .750 x .060) Stainless Steel	94	8
58640	SCREW (.375-16 x 1.25)	48	39	60169	SCREW (.375-16 x .750)	106	15
60171	SCREW (.375-16 x 1.250)	106	15	60605	SCREW (#10-16 x .750)	104	11
62568	SCREW (#10-16 x .375)	82	9	62826A6	CABLE ASSEMBLY Ground (13.00 Inches) Black	32	29
63341	TEE NUT	94	12	63832A1	COOLER	58	13
63835	ELBOW 45 Degree To Transmission	106	13	64013	FITTING (.375 Male To .125 Female)	54	11
64032A1	V BELT	78	20	642351	J CLIP	104	9
68219	NUT (#10-32) Stainless Steel	82	2	68402	PIN (.250 x 1.13)	94	15
69205	C WASHER	104	12	71587A10	RECOVERY KIT Coolant	98	1
71587A11	BOTTLE Plastic	98	2	71614	GASKET	98	4
72058	CAP	98	3	79476A1	FLANGE ASSEMBLY (5.00 x 1.00)	106	14
79476A2	FLANGE ASSEMBLY (5.00 x 1.125)	106	14	79476A3	FLANGE ASSEMBLY (5.00 x 1.25)	106	14
79476A4	FLANGE ASSEMBLY (5.00 x 1.375)	106	14	79476A5	FLANGE ASSEMBLY (5.00 x 1.50)	106	14
79476A6	FLANGE ASSEMBLY (5.00 x 1.75)	106	14	79476A7	FLANGE ASSEMBLY (5.00 x 2.00)	106	14
79989	NUT (#10-24) Stainless Steel	78	6	801124680	TANK Power Steering Oil Reservoir	92	8
801326638	CLAMP	92	10	801329978	BREAKER Circuit	88	7
801330116	BEARING Ball	66	13	801331212	PIN	28	6
801331602	PLUG Expansion	4	2	801331607	SHIM (15 mm)	22	4
801331608	SHIM (20 mm)	22	4	801331619	O-RING	32	5
801331619	O-RING	36	5	801331631	BEARING Standard	24	6
801331632	BEARING (25 mm)	24	6	801331633	BEARING (50 mm)	24	6
801331635	BEARING	24	9	801331635	BEARING	24	9
801331636	BEARING	24	9	801331636	BEARING	24	9
801331637	BEARING	24	9	801331637	BEARING	24	9

PARTS INDEX

Part No.	Description	Pg.	Ref.no	Part No.	Description	Pg.	Ref.no
801331639	THRUST WASHER (Standard)	24	7	801331639	THRUST WASHER (Standard)	24	7
801331639	THRUST WASHER	24	8	801331639	THRUST WASHER	24	8
801331640	THRUST WASHER (.10MM)	24	7	801331640	THRUST WASHER (.10MM)	24	7
801331641	THRUST WASHER (.20MM)	24	7	801331641	THRUST WASHER (.20MM)	24	7
801331642	KEY	24	2	801331647	PIN	26	11
801331650	SCREW Locating	4	6	801331651	SCREW	4	11
801331654	O-RING	26	19	801331654	O-RING	26	19
801331671	BRIDGE	14	17	801331673	BRIDGE	14	18
801331674	BRIDGE	14	19	801331684	FITTING Drain	4	8
801331684	FITTING Drain	42	19	801331698	SCREW (M4 x 10)	32	13
801331698	SCREW (M4 x 10)	36	12	801331701	RING GEAR	32	10
801331701	RING GEAR	36	10	801331713	BOLT	22	9
801331715	BEARING Standard	22	10	801331716	BEARING (25 mm)	22	10
801331717	BEARING (50 mm)	22	10	801331725	RING	22	12
801331733	PLATE Cam Guide	20	4	801331735	KEY	20	3
801331752	PLATE Spring	14	7	801331754	CAP Spring	14	10
801331755	KEEPER	14	11	801332593	SHAFT	66	16
801332595	RING Snap Retaining	66	15	801332598	O-RING	66	9
801332599	SPREADER	66	8	801332599	SPREADER	66	14
801332600	SEAL Oil	66	7	801332601	WEAR PLATE	66	10
801332601	WEAR PLATE	68	7	801332602	IMPELLER	66	5
801332604	SCREW	66	12	801332604	SCREW	68	12
801332606	GASKET	66	4	801332606	GASKET	68	4
801332607	COVER	66	3	801332607	COVER	68	3
801332608	SCREW	66	2	801332608	SCREW	68	2
801332620	PIN	66	11	801333415	O-RING	40	6
801333424	CLIP	16	33	801333441	GASKET	76	2
801333448	STUD (M8 x 140)	42	7	801333451	STUD (M8 x 90)	42	5
801333451	STUD (M8 x 90)	46	28	801333453	STUD (M10 x 30)	46	3
801333457	CLAMP	60	34	801333457	CLAMP	70	7
801333464	FITTING	46	24	801333850	O-RING	66	17
801333850	O-RING	68	15	801333864	BUSHING (25 mm)	20	2
801333865	DIAPHRAGM	56	11	801333874	SCREW Banjo (M10)	70	18
801333980	STARTER MOTOR ASSEMBLY	74	1	801761163	CONNECTOR Return	50	24
801761165	BOLT Banjo (M8 x 1.00)	42	28	801761165	BOLT Banjo (M8 x 1.00)	50	25
801761166	SCREW	50	19	801761382	BRACKET	4	21
801761589	BRACKET	58	16	801761617	SCREW	4	25
801763272	CLAMP	46	4	801763349	PULLEY	92	2
801763362	SHIM (23 mm)	22	4	801763377	PLUG	14	4
801763388	CONNECTOR	4	10	801763389	FITTING	46	36
801763451	STUD (M8 x 70)	42	4	801763843	FITTING	50	23
801763843	FITTING	56	19	801763853	PLUG	64	2
801763855	ELEMENT	64	5	801763856	O-RING	64	6
801763857	WINDOW	64	7	801763858	COVER	64	8
801763859	SCREW	64	9	801763874	BUSHING	128	7
801763908	STUD (M16 x 125)	4	20	801765017	GASKET	50	2
801765035	HOUSING	128	4	801765040	BASE	128	1
801765045	WASHER	128	6	802654	INJECTION NOZZLE (#1 CYLINDER)	50	12
802667	HARNES ASSEMBLY Instrument	102	-	802736	GLOW PLUG KIT	16	26
802737	GLOW PLUG KIT	16	26	803122A1	PISTON ASSEMBLY	22	2
803123A1	LINER KIT	22	-	803171	HOSE	58	29
803172	HOSE	58	27	803174	ELBOW To Oil Cooler	106	13
803607	PLUG	30	12	803608	ELBOW 65 Degree Exhaust	46	10
803609	ELBOW Exhaust (33 Degree)	46	10	803610	DRIVEPLATE ASSEMBLY	36	27
803621	BEARING Standard Front Thrust	24	7	803621	BEARING Standard Front Thrust	24	7
803622	WASHER	24	8	803622	WASHER	24	8
803623	VALVE	50	9	803625	FUSE ASSEMBLY	82	11
803626	HARNES ASSEMBLY Engine Wiring	84	1	803627	CLIP	92	26
803628	CLEANER Air	130	1	804702	PIPE	70	14
805013T1	PIPE Exhaust	48	38	805017	HOSE To Air Cooler	68	18
805159	SCREW (.437-20 x 1.500)	106	16	805265A1	ELBOW Exhaust	46	6

PARTS INDEX

Part No.	Description	Pg.	Ref.no	Part No.	Description	Pg.	Ref.no
805267T	SENDER Oil Pressure	4	14	805268	SENDER	4	14
805268	SENDER	102	-	805287A1	OIL PRESSURE GAUGE KIT	100	-
805288A1	GAUGE KIT Water Temperature	100	-	805312	ELEMENT	130	2
805315	CONNECTOR	46	14	805324	STUD Extension	58	19
805375	HOSE To Air Cooler	66	19	805602A2	ELBOW Exhaust	46	10
805675A1	TOGGLE SWITCH	100	-	805675A1	TOGGLE SWITCH	102	-
805676A1	SWITCH	102	-	805677A1	SWITCH	102	-
805678	KEY SWITCH	100	-	805681	HOUSING	62	7
805681	HOUSING	62	7	805684A2	COUPLING	32	32
805723	GASKET	62	11	805731	COUPLER	34	38
805732	O-RING (2.612 x .103)	54	5	805735A6	COUPLING ASSEMBLY	32	31
805739	HOSE	62	20	805740	HOSE	58	7
805741	HOSE	62	1	805743	HOSE	58	5
805744	HOSE	62	19	805884T	ALTERNATOR	78	1
805884T	ALTERNATOR	80	-	805947T	THERMOSTAT 71°C (160°F)	62	12
805948	THERMOSTAT 82°C (180°F)	62	13	806000	ANODE	58	-
806002A1	END CAP ASSEMBLY	58	-	806193A33	MONITOR ASSEMBLY Oil Drive Lube	104	13
806195	SCREW (M12 x 45)	128	14	806232	O-RING (.239 x .064)	92	17
806238	BRACKET	106	5	806291	REDUCER	64	14
806441	HOSE	66	22	806443	ADAPTER	4	13
806548440	HOSE (Cut to Length)	58	12	806548440	HOSE	58	21
806678	STUD (M8 x 150)	42	6	806685	BOLT (M14 x 149.5) Center	14	20
806686	BOLT (M12 x 94.5) Injector Side	14	21	806687	BOLT (M12 x 127.5) Manifold Side	14	22
8067271	CAP Drive Lube Monitor	104	14	806882	GASKET	58	-
806883	GASKET	58	-	8069481	PLUG	54	10
806980T	BRACE	78	12	807001	HOSE	58	23
807011	CAP	40	17	807030	SPACER	78	17
807049T	FLEX TUBE	46	8	807050T	FLEX TUBE	46	12
807226	HOSE	40	14	807256T	FILTER Fuel	56	1
807256T1	HEADER ASSEMBLY	56	6	807261	HEAT EXCHANGER	58	1
807286T	BRACKET	82	3	807322	HOSE	8	22
807423	HOSE	58	22	807962A3	BRACKET ASSEMBLY	94	1
808023T	STRAP Bracket	104	17	808108	CAP	58	2
808624	CONNECTOR Straight	104	15	808629	CONNECTING ROD ASSEMBLY	22	7
809133T	STATOR	80	12	809134	PULLEY	80	3
809135	SPACER	80	4	809136	NUT	80	1
809137	LOCKWASHER	80	2	809138	BOLT	80	23
809139	FAN ASSEMBLY	80	5	809140	SPACER	80	6
809141	SCREW	80	27	809142	TERMINAL	80	28
809143	NUT	80	17	809144	COVER	80	30
809145	SET SCREW	80	31	809146	MOLD	80	16
809147	LEAD WIRE Red	80	33	809148	LEAD WIRE Black	80	32
809149	CAP	80	29	809150	ROTOR	80	11
809151	BRACKET ASSEMBLY	80	7	809152	RETAINER	80	10
809153	BEARING	80	9	809154	SCREW	80	8
809155	BRACKET ASSEMBLY	80	13	809156	O-RING	80	21
809157	NUT	80	20	809158	MOLD	80	19
809159	BOLT	80	22	809160	SET SCREW	80	15
809161	CONDENSER	80	18	809162	RECTIFIER	80	14
809590	VIBRATION DAMPER	28	10	809724	SCREW (M8 x 35)	30	13
809726	PLATE	30	10	809825	RTV SILICONE (3 Ounce Tube) Metallic Blue	40	NS
809908402	STUD	32	2	809908402	STUD	36	2
809912516	SCREW (M8 x 50)	4	24	809913218	SCREW (M5 x 10)	16	35
809913466	SCREW (M6 x 16)	40	7	809913466	SCREW (M6 x 16)	40	11
809913657	SCREW (M8 x 25)	92	4	809913815	SCREW	128	2
809913837	SCREW	106	4	809913859	SCREW	128	11
809919114	PLUG	42	30	809919131	SCREW (M22 x 1.5)	40	2
809919131	SCREW (M22 x 1.5)	42	16	809919131	SCREW (M22 x 1.5)	58	9
809919621	SCREW	42	26	809919781	SCREW (M6 x 18)	70	3
809919926	SCREW (M6 x 25)	42	15	809919926	SCREW (M6 x 25)	88	4
809919935	SCREW (M8 x 18)	20	5	809919935	SCREW (M8 x 18)	20	10

PARTS INDEX

Part No.	Description	Pg.	Ref.no	Part No.	Description	Pg.	Ref.no
809919935	SCREW (M8 x 18)	20	14	809919969	SCREW	106	6
809921102	NUT (M16)	4	19	809922038	NUT	50	11
809922113	NUT	106	3	809922113	NUT	128	13
809922457	NUT (M16)	4	18	809923100	NUT	128	5
809930840	LOCKWASHER	64	4	809931036	WASHER	16	36
809931036	WASHER	82	7	809931044	WASHER	40	10
809931076	LOCKWASHER	4	23	809931076	LOCKWASHER	32	25
809931076	LOCKWASHER	128	12	809931094	WASHER	4	17
809932110	LOCKWASHER	26	13	809932110	LOCKWASHER	32	17
809932110	LOCKWASHER	36	17	809932112	LOCKWASHER	32	7
809932112	LOCKWASHER	36	7	809933127	LOCKWASHER	128	15
809934175	RING	128	9	809936436	WASHER	128	3
809937241	PLUG	4	3	809941485	PIN	26	16
809952104	CLAMP	8	23	809952104	CLAMP	92	12
809963042	O-RING	16	32	809963042	O-RING	42	29
809963042	O-RING	50	26	809963042	O-RING	50	26
809963072	WASHER	4	12	809963072	WASHER	70	19
809963129	WASHER	16	28	809963129	WASHER	50	20
809963129	WASHER	56	9	809963129	WASHER	70	13
809963201	WASHER	4	7	809963201	WASHER	8	25
809963201	WASHER	40	16	809963201	WASHER	42	31
809963201	WASHER	48	37	809963201	WASHER	50	22
809963201	WASHER	56	5	809963201	WASHER	64	3
809963342	O-RING	14	5	809963342	O-RING	46	25
809963342	O-RING	54	3	809963354	WASHER	40	3
809963354	WASHER	42	17	809963354	WASHER	54	21
809963354	WASHER	58	10	809963467	SEAL	54	8
811376	BEARING Standard	24	5	811377	BEARING (25 mm)	24	5
811378	BEARING (50 mm)	24	5	811379	FLANGE ASSEMBLY	26	10
811382	SCREW (M10 x 90)	26	12	811383	STUD (M8 x 20)	26	17
811383	STUD (M8 x 20)	42	3	811383	STUD (M8 x 20)	46	16
811383	STUD (M8 x 20)	56	12	811384	LOCKWASHER (M8)	20	6
811384	LOCKWASHER (M8)	26	21	811384	LOCKWASHER (M8)	30	21
811385	SEAL	26	18	811385	SEAL	26	18
811387	PIN	22	11	811388	SPRING	14	8
811389	PLUG	14	2	811394	BOLT Banjo	16	31
811401	BOLT Banjo (M12)	56	8	811401	BOLT Banjo (M12)	70	12
811407	WASHER	50	10	811408	LOCKWASHER	32	3
811408	LOCKWASHER	36	3	811408	LOCKWASHER	74	6
811409	WASHER	50	4	811410	SCREW (M14)	8	24
811410	SCREW (M14)	40	15	811410	SCREW (M14)	50	21
811410	SCREW (M14)	56	4	811411	WASHER Sealing	50	29
811411	WASHER Sealing	50	29	811415	SCREW	20	13
811416	PUMP ASSEMBLY Fuel	56	10	811417	NUT	56	15
811417	NUT	68	17	811418	LOCKWASHER	56	14
811418	LOCKWASHER	68	16	811421	NUT	28	11
811422	SCREW (M6 x 35)	28	8	811423	SCREW (M10 x 45)	28	12
811428	SLEEVE	4	9	811431	SET SCREW (M6 x 3)	4	4
811432	COVER	70	11	811435	CLAMP	46	31
811436	SCREW (M6 x 80)	8	10	811437	WASHER	70	10
811438	WASHER	16	28	811444	LINE	42	27
811448	SCREW	46	34	811450	WASHER	32	28
811450	WASHER	36	26	811450	WASHER	42	14
811450	WASHER	70	4	811455	WASHER	32	20
811455	WASHER	36	20	811455	WASHER	50	16
811455	WASHER	92	25	811455	WASHER	96	4
811456	SCREW	32	18	811456	SCREW	36	18
811457	SCREW (M10 x 35)	32	16	811457	SCREW (M10 x 35)	36	16
811457	SCREW (M10 x 35)	88	14	811458	NUT	32	4
811458	NUT	36	4	811458	NUT	74	7
811459	WASHER	32	8	811459	WASHER	36	8

PARTS INDEX

Part No.	Description	Pg.	Ref.no	Part No.	Description	Pg.	Ref.no
811459	WASHER	88	15	811460	LOCKWASHER	20	11
811460	LOCKWASHER	20	15	811460	LOCKWASHER	30	14
811460	LOCKWASHER	32	19	811460	LOCKWASHER	36	19
811460	LOCKWASHER	46	23	811460	LOCKWASHER	46	35
811460	LOCKWASHER	78	9	811460	LOCKWASHER	94	18
811461	O-RING	46	26	811463	SCREW	46	22
811466	SLEEVE	46	20	811467	CLIP	8	20
811467	CLIP	40	18	811467	CLIP	46	21
811472	STUD (M8 x 55)	76	3	811479	WASHER	56	17
811479	WASHER	78	18	811479	WASHER	104	19
811482	LOCKWASHER	50	7	811483	WASHER	30	6
811485	O-RING	30	2	811485	O-RING	30	9
811487	PLUG Anode Assembly	30	4	811498	O-RING	32	11
811498	O-RING	32	11	811498	O-RING	36	13
811498	O-RING	36	13	811883T	REGULATOR ASSEMBLY	80	24
811884	BRUSH	80	25	811885	SPRING	80	26
811940	COVER KIT (INCLUDES REF. #29 and 30)	110	27	811945	GEAR	124	64
811946	SHAFT Intermediate	124	63	811947	SHAFT Reversing	124	62
811947	SHAFT Reversing	124	62	811948	SHAFT Intermediate	124	63
811949	GEAR	124	61	811949	GEAR	124	61
811950	GEAR	124	64	811950	GEAR	124	64
811951	SHAFT Reversing	124	62	811952	SHAFT Intermediate	124	63
811953	SCREW	118	3	811954	NUT	118	5
811956	SEAL	118	16	811957	SEAL	118	8
811958	WASHER	118	28	811959	PLUG	118	29
811960	HOUSING Input Side	118	13	811961	HOUSING Control Side	118	1
811962	HOSE Suction	118	6	811963	COVER KIT	118	19
811964	DIPSTICK	118	15	811965	CLAMP	118	4
811966	PLUG	118	2	811967	WASHER	122	37
811968	BEARING Ball	122	46	811969	BEARING Tapered Roller Cone	122	36
811970	BEARING Tapered Roller Cup	122	35	811971	BEARING Tapered Roller Cone	122	50
811972	BEARING Tapered Roller	122	52	811973	SHIM	122	53
811974	SHIM	122	53	811975	SHIM	122	53
811976	SHIM	122	53	811977	BEARING Tapered Roller Cup	122	51
811978	BEARING Tapered Roller Cone	122	49	811979	BEARING Tapered Roller Cup	122	48
811980	SHAFT Output	124	55	811981	WASHER	124	57
811982	FLANGE	124	59	811983	SCREW	124	60
811984	PIN Dowel	122	54	811985	BEARING Tapered Roller	124	56
811986	BEARING Tapered Roller	124	58	811987	GEAR	124	61
812619	FUSE Yellow - 20 Ampere	100	-	81269939	HOSE (39.00 Inches Bulk)	106	12
8126998	HOSE ASSEMBLY (37.00 Inches)	106	12	813278	HOUSING	110	1
813279	COVER	110	2	813280	VENT CAP	110	3
813280	VENT CAP	118	17	813281	LOCKWASHER	110	4
813281	LOCKWASHER	118	12	813282	SCREW	110	5
813282	SCREW	118	11	813283	SCREW	110	6
813284	SCREW	110	7	813284	SCREW	118	10
813285	SCREW	110	8	813285	SCREW	118	9
813286	SEAL	110	9	813286	SEAL	118	14
813287	SCREW	110	10	813288	PLATE Retaining	110	11
813289	HOSE	110	12	813290	PLATE Baffle	110	13
813291	PIN Dowel	110	14	813291	PIN Dowel	118	7
813292	SEAL	110	15	813293	LOCKWASHER	110	16
813293	LOCKWASHER	120	33	813294	SCREW	110	17
813294	SCREW	120	32	813295	CONTROL BLOCK	110	18
813295	CONTROL BLOCK	118	24	813296	SCREW	110	19
813296	SCREW	118	27	813297	WASHER	110	20
813298	LEVER Shift	110	21	813298	LEVER Shift	118	30
813299	NUT	110	22	813299	NUT	120	31
813300	SWITCH	110	23	813300	SWITCH	118	26
813301	GASKET	110	24	813301	GASKET	118	25
813302	PLUG	110	25	813302	PLUG	118	23

PARTS INDEX

Part No.	Description	Pg.	Ref.no	Part No.	Description	Pg.	Ref.no
813303	WASHER	110	26	813303	WASHER	118	18
813305	DIPSTICK	110	31	813306	SHAFT Input	114	32
813306	SHAFT Input	122	40	813307	BEARING Roller	114	33
813307	BEARING Roller	122	39	813308	GEAR	114	34
813308	GEAR	122	38	813309	WASHER	114	35
813312	RING	114	38	813312	RING	122	34
813313	KEY	114	39	813313	KEY	122	42
813314	BEARING	114	40	813315	SHIM (.10 mm)	114	41
813315	SHIM (.10 mm)	122	47	813316	SHIM (.15 mm)	114	41
813316	SHIM (.15 mm)	122	47	813317	SHIM (.20 mm)	114	41
813317	SHIM (.20 mm)	122	47	813318	SHIM (.50 mm)	114	41
813318	SHIM (.50 mm)	122	47	813319	DISC (INNER)	114	42
813319	DISC (INNER)	122	44	813320	DISC (OUTER)	114	43
813320	DISC (OUTER)	122	45	813321	RING	114	44
813321	RING	122	43	813322	PRESSURE DISC	114	45
813322	PRESSURE DISC	122	41	813323	BEARING Tapered Roller	114	46
813324	BEARING Tapered Roller	114	47	813325	BEARING Tapered Roller	114	48
813326	BEARING Tapered Roller	114	49	813327	SCREW	114	50
813328	SPACER	114	51	813329	O-RING	114	52
813330	FLANGE Output	114	53	813331	BEARING Tapered Roller	114	54
813332	BEARING Tapered Roller	114	55	813333	BEARING Tapered Roller	116	56
813334	SHIM (.10 mm)	116	57	813335	SHIM (.15 mm)	116	57
813336	SHIM (.30 mm)	116	57	813337	SHIM (.50 mm)	116	57
813338	GEAR	116	58	813339	SHAFT Intermediate	116	59
813340	SHAFT Output	116	60	813341	GEAR	116	58
813342	SHAFT Intermediate	116	59	813343	SHAFT Output	116	60
813344	GEAR	116	58	813345	SHAFT Intermediate	116	59
813346	SHAFT Output	116	60	813406	O-RING	110	30
813406	O-RING	118	22	813407	O-RING	110	29
813407	O-RING	118	21	814158T	BRACKET	128	10
814634	CLAMP	70	17	814806	WASHER (.344 x .688 x .065) Stainless Steel	78	15
814873	CAM	66	6	815088	NUT (M8)	4	26
815419	FLUID FILTER KIT	110	28	815419	FLUID FILTER KIT	118	20
815504220	CLAMP Worm Gear	58	4	815504220	CLAMP Worm Gear	58	14
815504220	CLAMP Worm Gear	58	26	815504220	CLAMP Worm Gear	62	2
815504220	CLAMP Worm Gear	66	20	815504220	CLAMP Worm Gear	68	19
815504222	CLAMP Worm Gear (1.98 Diameter)	60	33	815504224	CLAMP Worm Gear	60	34
815504228	CLAMP Worm Gear	58	8	815504228	CLAMP Worm Gear	64	11
815504228	CLAMP Worm Gear	66	21	815504232	CLAMP Worm Gear (2.50 Diameter)	58	6
815504232	CLAMP Worm Gear (2.50 Diameter)	66	23	815504232	CLAMP Worm Gear (2.50 Diameter)	68	21
815504272	CLAMP Worm Gear	48	42	815504272	CLAMP Worm Gear	48	46
815504336	CLAMP Worm Gear	60	35	815504348	CLAMP Worm Gear	62	21
815504348	CLAMP Worm Gear	130	5	815529	TUBE Exhaust	48	43
816000	ANODE	30	5	816162	SPRING	54	7
816163	THERMOSTAT	54	6	816172	HOSE	64	12
816173	HOSE Reducer To SeaWater Pump	66	24	816173	HOSE Reducer To SeaWater Pump	68	22
816174A1	HOSE	68	20	816177	V BELT	92	3
816248	PUMP ASSEMBLY	68	1	816339	NOZZLE	64	10
816340	BRACKET	92	22	816554	TUBE	40	5
816782	CRANKSHAFT	24	1	816785	STRIP Manifold (FRONT)	70	1
816813	CAM	68	6	816814T	IMPELLER	68	5
816815	RING	68	8	816816	SPACER	68	9
816817	SEAL	68	10	816818	SEAL	68	11
816819	BEARING	68	13	816820	SHAFT	68	14
816833A1	TACHOMETER GAUGE KIT	100	-	816913	PIN	128	8
817032A1	BATTERY GAUGE KIT	100	-	817033A1	TRIM GAUGE KIT	100	-
817078	BLANKET	46	13	817089	GASKET	46	5
817169	SWITCH	54	12	817308	BRACKET (TACHOMETER)	100	-
817309	BRACKET	100	-	817311	BEZEL (TACHOMETER)	100	-
817315	BEZEL	100	-	817728	O-RING	22	5
817729	O-RING	22	6	818163A1	CRUISELOG GAUGE KIT	100	-

PARTS INDEX

Part No.	Description	Pg.	Ref.no	Part No.	Description	Pg.	Ref.no
818170T	FITTING	64	17	818171T	VALVE	64	16
818172	CONNECTOR	64	15	818184T	ADAPTER Exhaust	48	44
818304A1	BLOCK OFF KIT	132	1	818305	GASKET	132	2
821509	RELAY Audio Warning	88	NS	823297	GASKET Cylinder Head (1.52 MM)	14	25
823297	GASKET Cylinder Head (1.52 MM)	14	25	823646	RING SET	22	3
8267119	NUT (.250-28)	94	10	831424	LIGHT BULB	100	-
831424A2	LIGHT BULB	100	-	846109	SCREW (.375-16 x .875)	58	-
850418	STUD (M8 x 115)	30	15	850419	STUD (M8 x 22)	30	16
850420A1	PULLEY (INCLUDES KEY)	28	9	850781	HARNESSE ASSEMBLY Extension	102	-
850782	HARNESSE ASSEMBLY Y Style	102	-	85181	BOLT	64	13
85181	BOLT	98	5	852066	BEARING	114	36
853066	KEY	114	37	854018	ENGINE COVER	96	1
854019	SPACER	30	25	854020	GROMMET	92	24
854020	GROMMET	96	5	854021	SPACER	92	23
854021	SPACER	96	6	854022	SPACER	96	7
854023	BRACKET	8	16	854024	BRACKET Support	88	10
854025	BRACKET	90	1	854026	BRACKET	90	2
854027	STUD Remote Control Cable	90	3	854028	LOCKNUT	90	4
854029	WASHER	90	5	854030	CONTROL ASSEMBLY Engine	90	6
854031	SUPPORT	90	7	854032	NUT (M6)	42	24
854032	NUT (M6)	88	5	854032	NUT (M6)	88	13
854032	NUT (M6)	90	8	854032	NUT (M6)	92	28
854034	BRACKET	90	10	854035	TPS	90	11
854036	LEVER Throttle Position Sensor	90	12	854037	NUT (M8)	12	6
854037	NUT (M8)	26	22	854037	NUT (M8)	30	17
854037	NUT (M8)	42	8	854037	NUT (M8)	46	17
854037	NUT (M8)	46	29	854037	NUT (M8)	50	5
854037	NUT (M8)	50	15	854037	NUT (M8)	54	23
854037	NUT (M8)	76	5	854037	NUT (M8)	90	13
854037	NUT (M8)	92	21	854038	SUPPORT	90	14
854039	STUD TPS Lever	90	15	854040	CYLINDER BLOCK	4	1
854041	VALVE Oil Pressure	4	5	854044	SCREW (M10 x 45)	4	22
854045	COVER (REAR)	8	1	854046	GASKET	8	2
854047	GASKET Oil Fill Cap	8	7	854047	GASKET Oil Fill Cap	8	7
854048	CAP	8	8	854049	COVER (FRONT)	8	3
854050	SEPARATOR Oil	8	17	854051	PLUG	8	13
854052	SLEEVE	8	21	854052	SLEEVE	40	19
854053	TUBE	8	9	854054	HOSE	8	14
854055	SCREW (M6 x 88)	8	11	854056	SPACER	8	12
854057	ROCKER ARM ASSEMBLY	12	1	854058T	BRACKET Rocker Arm	12	7
854059	ROCKER ARM Intake	12	2	854060	SUPPORT Rocker Arm	12	3
854061	ROCKER ARM Exhaust	12	4	854062	BUSHING	12	5
854063	LIFTER Roller	12	8	854064	PUSH ROD	12	9
854065	LINE Oil	16	30	854066	BRACKET Lifter Retainer	12	10
854067	CYLINDER HEAD ASSEMBLY	14	1	854067	CYLINDER HEAD ASSEMBLY	14	1
854068	SEAL Oil	14	9	854069	STUD (M8 x 60)	14	3
854070	VALVE GUIDE Standard	14	6	854071	SEAT (INTAKE)	14	12
854072	SEAT (EXHAUST)	14	13	854073	VALVE	14	14
854074	VALVE Exhaust	14	15	854075	STUD (M8 x 35)	14	16
854076	SPACER Rear	14	24	854076	SPACER Rear	14	24
854077	SPACER Front	14	23	854077	SPACER Front	14	23
854078	GASKET Cylinder Head (1.42 MM)	14	25	854078	GASKET Cylinder Head (1.42 MM)	14	25
854079	GASKET Cylinder Head (1.62 MM)	14	25	854079	GASKET Cylinder Head (1.62 MM)	14	25
854080	PLUG	16	26	854081	SENSOR Engine Coolant Temperature	16	29
854082	ADAPTER	16	27	854082	ADAPTER	16	27
854084	CAMSHAFT	20	1	854085	GEAR	20	7
854086	GEAR	20	8	854087	PUMP Oil	20	9
854088	GEAR ASSEMBLY	20	12	854089	LINER	22	1
854090	BUSHING	22	8	854093	NOZZLE	26	14
854094	FLANGE ASSEMBLY Rear	26	15	854094	FLANGE ASSEMBLY Rear	26	15
854095	COVER ASSEMBLY	28	1	854096	GASKET	28	5

PARTS INDEX

Part No.	Description	Pg.	Ref.no	Part No.	Description	Pg.	Ref.no
854097	COVER	28	2	854098	WASHER	28	3
854101	GASKET	30	18	854102	SENSOR	30	22
854103	WASHER	30	23	854104	SCREW (M5 x 20)	30	24
854104	SCREW (M5 x 20)	88	6	854106	SCREW (M10 x 25)	32	6
854106	SCREW (M10 x 25)	36	6	854107	FLYWHEEL	32	9
854107	FLYWHEEL	36	9	854108	BRACKET	32	15
854108	BRACKET	36	15	854109	SENSOR Engine RPM	32	26
854109	SENSOR Engine RPM	36	24	854110	PAN Oil	40	1
854112	DEFLECTOR	40	8	854113	SCREW (M6 x 14)	8	18
854113	SCREW (M6 x 14)	40	9	854113	SCREW (M6 x 14)	88	11
854114	DIPSTICK	40	12	854115	TUBE	40	13
854116T	MANIFOLD	42	1	854117	GASKET Exhaust Manifold	42	2
854117	GASKET Exhaust Manifold	42	2	854118	SCREW (M8 x 20)	30	20
854118	SCREW (M8 x 20)	42	10	854118	SCREW (M8 x 20)	46	18
854118	SCREW (M8 x 20)	92	20	854118	SCREW (M8 x 20)	94	17
854119	COVER	42	11	854120	GASKET	42	12
854121	SCREW (M6 x 60)	42	13	854122	NUT (M10)	36	23
854122	NUT (M10)	42	18	854122	NUT (M10)	56	18
854122	NUT (M10)	104	20	854123	STUD (M6)	42	20
854124	STUD (M6 x 25)	42	21	854125	WASTEGATE	42	23
854126	VALVE	42	25	854127	GASKET	42	32
854128	TURBOCHARGER	46	1	854129	GASKET	46	2
854130	PIPE	46	19	854131	HOUSING	46	27
854132	PIPE	46	32	854133	GASKET	46	33
854134	PUMP Injection	50	1	854135	STUD (M8 x 30)	50	3
854136	KEY	50	6	854137	NUT	50	8
854138	INJECTION NOZZLE	50	12	854140	BRACKET	50	17
854141	PIPE	50	27	854142	GASKET Injector Nozzle	50	13
854142	GASKET Injector Nozzle	50	13	854143	O-RING	50	14
854143	O-RING	50	14	854145	FITTING	54	2
854146	ADAPTER	54	4	854149	HOSE Oil	54	15
854150	HOSE Oil	54	16	854151	FITTING (M18)	54	17
854152	HEADER	54	18	854153	FITTING	54	19
854154	FITTING (M22)	54	20	854155	SCREW (M10 x 30)	32	36
854155	SCREW (M10 x 30)	56	16	854155	SCREW (M10 x 30)	104	18
854156	STUD (M8 x 25)	54	22	854156	STUD (M8 x 25)	76	4
854157	SPACER	54	24	854158	PLATE	54	25
854159	FITTING (90 Degree)	56	2	854160	LINE Fuel	56	3
854161	LINE Fuel	56	7	854162	O-RING	56	13
854164	BRACKET	62	3	854164	BRACKET	62	3
854165	LIFTING EYE	62	4	854166	SCREW (M10 x 35)	62	5
854168	COVER	62	14	854169	STUD (M6 x 75)	62	16
854170	SPACER	62	18	854171	GASKET	70	2
854173	HOSE	70	6	854176	HOSE	70	15
854177	CLAMP	70	16	854179	PUMP	76	1
854181	SCREW (M8)	78	8	854182	RADIATOR INSERT	30	3
854184	NUT (M8)	78	10	854187	HARNES ASSEMBLY ECM	86	1
854188	HOSE	130	3	854189	CLAMP Hose	8	15
854189	CLAMP Hose	130	4	854190	PARTS MANUAL D2.8L/165 D-TRONIC D4.2L/250 D-TRONIC DIESEL	2	-
854194	O-RING	8	4	854195	CONNECTOR	8	5
854196	RING	8	6	854203	LIFTING EYE	30	19
854205	SCREW (M6 x 14)	32	27	854205	SCREW (M6 x 14)	36	25
854212	TURBOCHARGER	46	1	854213	PUMP Injection	50	1
854214	GASKET	30	7	854216	HOUSING	30	8
854217	COVER	30	11	855381	MOUNT Engine	4	16
855382	PIN	4	27	855383	PRESSURE PIPES ASSEMBLY	50	18
855385	NUT (M5)	82	8	855385	NUT (M5)	88	8
855386	POWER RELAY	88	9	855386	POWER RELAY	100	-
855387	SUPPORT Oil Tank	92	18	855388	BRACKET	92	19
855389	HARNES ASSEMBLY Instrument	100	-	855390	HARNES ASSEMBLY Extension (7M)	100	-

PARTS INDEX

Part No.	Description	Pg.	Ref.no	Part No.	Description	Pg.	Ref.no
855391	POWER RELAY	88	2	855391	POWER RELAY	88	3
855448	GASKET SET Overhaul	4	-	855448	GASKET SET Overhaul	8	-
855448	GASKET SET Overhaul	16	-	855448	GASKET SET Overhaul	22	-
855448	GASKET SET Overhaul	26	-	855448	GASKET SET Overhaul	28	-
855448	GASKET SET Overhaul	30	-	855448	GASKET SET Overhaul	34	-
855448	GASKET SET Overhaul	36	-	855448	GASKET SET Overhaul	40	-
855448	GASKET SET Overhaul	42	-	855448	GASKET SET Overhaul	48	-
855448	GASKET SET Overhaul	50	-	855448	GASKET SET Overhaul	56	-
855448	GASKET SET Overhaul	60	-	855448	GASKET SET Overhaul	62	-
855448	GASKET SET Overhaul	70	-	855448	GASKET SET Overhaul	76	-
855449	GASKET SET Cylinder Head	8	-	855449	GASKET SET Cylinder Head	18	-
855449	GASKET SET Cylinder Head	42	-	855449	GASKET SET Cylinder Head	52	-
855449	GASKET SET Cylinder Head	70	-	855450	GASKET SET Cylinder Head	8	-
855450	GASKET SET Cylinder Head	16	-	855450	GASKET SET Cylinder Head	42	-
855450	GASKET SET Cylinder Head	50	-	855450	GASKET SET Cylinder Head	70	-
855451	GASKET SET Overhaul	4	-	855451	GASKET SET Overhaul	8	-
855451	GASKET SET Overhaul	16	-	855451	GASKET SET Overhaul	22	-
855451	GASKET SET Overhaul	26	-	855451	GASKET SET Overhaul	28	-
855451	GASKET SET Overhaul	30	-	855451	GASKET SET Overhaul	34	-
855451	GASKET SET Overhaul	36	-	855451	GASKET SET Overhaul	40	-
855451	GASKET SET Overhaul	42	-	855451	GASKET SET Overhaul	48	-
855451	GASKET SET Overhaul	50	-	855451	GASKET SET Overhaul	56	-
855451	GASKET SET Overhaul	60	-	855451	GASKET SET Overhaul	62	-
855451	GASKET SET Overhaul	70	-	855451	GASKET SET Overhaul	76	-
855452	SPACER	32	12	855452	SPACER	32	12
855452	SPACER	36	11	855452	SPACER	36	11
855453	CYLINDER BLOCK	4	1	855454	ENGINE MOUNT	4	16
855455	COVER Rocker	8	1	855456	GASKET Rocker Cover	8	2
855457	TUBE	8	9	855458	LINE Oil	16	30
855459	SLEEVE	16	34	855460	CAMSHAFT	20	1
855461	BUSHING Standard	20	2	855462	CRANKSHAFT	24	1
855463	ADAPTER	4	15	855464	COVER ASSEMBLY	28	1
855465	SCREW (M8 x 60)	28	7	855465	SCREW (M8 x 60)	96	2
855467	STUD (M8 x 105)	30	15	855468	FLYWHEEL	32	9
855470	SCREW (M10 x 20)	36	28	855471	STUD (M10 x 20)	36	22
855472	PAN Oil	40	1	855473	SCREW (M6 x 12)	40	4
855474	TUBE	40	5	855476	DIPSTICK	40	12
855477	TUBE	40	13	855479	VALVE	42	25
855480	PIPE	46	19	855482	FLEX TUBE	46	12
855483	BLANKET	46	9	855483	BLANKET	46	13
855484	PRESSURE PIPES ASSEMBLY	50	18	855485	PIPE	50	27
855487	HOSE	54	13	855488	HOSE Oil	54	14
855489	LINE Fuel	56	3	855490	LINE Fuel	56	7
855491	CLAMP	58	3	855492	HOSE	58	21
855493	HOSE	58	22	855494	HOSE	58	29
855495	HOSE	58	27	855496	HOSE	60	30
855497	COOLER	60	31	855498	INSERT	58	28
855499	CLAMP ASSEMBLY	60	32	855500	CLAMP ASSEMBLY	60	32
855502	PUMP ASSEMBLY Seawater	66	1	855506	PIPE	70	14
855507	STARTER MOTOR ASSEMBLY	74	1	855508	SCREW (M14 x 25)	78	11
855509	HARNESS ASSEMBLY Engine	84	1	855510	CONTROL ASSEMBLY Engine	90	6
855511	SCREW (M6 x 20)	90	9	855511	SCREW (M6 x 20)	92	27
855513	BRACKET Oil Tank Support	92	19	855514	CLEANER Air	130	1
855515	COVER Engine Top	96	1	855516	WASHER	106	11
855517	ELBOW To Transmission	106	10	855518	HOSE Oil (85 cm)	106	12
855519	HOSE Oil (93 cm)	106	12	855520	SCREW (M8 x 25)	46	18
855520	SCREW (M8 x 25)	96	3	855521	RADIATOR INSERT	30	3
855522	PLATE	30	10	855523	COVER	30	11
860065A1	BRACKET KIT Oil Bottle	104	16	860166970	OWNERS GUIDE (STERN DRIVE)	2	-
860167970	OWNERS GUIDE (INBOARD)	2	-	860319A1	END COVER	58	-
860598	SUPPORT	90	14	860602	TUBE Exhaust	48	45

PARTS INDEX

Part No.	Description	Pg.	Ref.no	Part No.	Description	Pg.	Ref.no
860603	FILTER	64	1	860615	HARNESS ASSEMBLY (13 Feet)	102	-
860616	HARNESS ASSEMBLY (23 Feet)	100	-	860617	HARNESS ASSEMBLY	102	-
860618	HARNESS ASSEMBLY Instrument	100	-	860618	HARNESS ASSEMBLY Instrument	102	-
861014	PANEL	100	-	861068	RING Locking - Fuel Filter	56	-
861428	PANEL	102	-	861454	DECAL	58	11
861455	DECAL	58	11	861854	WASHER (.453 x .750 x .032) Stainless Steel	104	3
862646	FUSE Tan - 5 Ampere	88	16	863744T2	TRANSMISSION (1.5:1 Ratio)	106	1
863744T2	TRANSMISSION (1.5:1 Ratio)	110	-	863744T2	TRANSMISSION (1.5:1 Ratio)	114	-
863744T4	TRANSMISSION (2.50:1 Ratio)	106	1	863744T4	TRANSMISSION (2.50:1 Ratio)	110	-
863744T4	TRANSMISSION (2.50:1 Ratio)	114	-	863745T2	TRANSMISSION (1.5:1 Ratio)	106	1
863745T2	TRANSMISSION (1.5:1 Ratio)	118	-	863745T2	TRANSMISSION (1.5:1 Ratio)	122	-
863745T3	TRANSMISSION (2.0:1 Ratio)	106	1	863745T3	TRANSMISSION (2.0:1 Ratio)	118	-
863745T3	TRANSMISSION (2.0:1 Ratio)	122	-	863745T4	TRANSMISSION (2.5:1 Ratio)	106	1
863745T4	TRANSMISSION (2.5:1 Ratio)	118	-	863745T4	TRANSMISSION (2.5:1 Ratio)	122	-
877376	GASKET (1.42 mm) Front	16	25	877377	GASKET (1.42 mm) Rear	16	25
877390A1	VIBRATION KIT	60	-	877391	MOUNT	4	16
877392	CLAMP Rubber	60	-	877523	VALVE	106	-
879675	GASKET (1.41 mm) Cylinder Head	16	25	879676	GASKET (1.51 mm) Cylinder Head	16	25
879677	GASKET (1.61 mm) Cylinder Head	16	25	879678	GASKET (1.52 mm) Front	16	25
879679	GASKET (1.62 mm) Front	16	25	879680	GASKET (1.52 mm) Rear	16	25
879681	GASKET (1.62 mm) Rear	16	25	879684	GASKET SET Overhaul	4	-
879684	GASKET SET Overhaul	8	-	879684	GASKET SET Overhaul	16	-
879684	GASKET SET Overhaul	22	-	879684	GASKET SET Overhaul	26	-
879684	GASKET SET Overhaul	28	-	879684	GASKET SET Overhaul	30	-
879684	GASKET SET Overhaul	34	-	879684	GASKET SET Overhaul	36	-
879684	GASKET SET Overhaul	40	-	879684	GASKET SET Overhaul	42	-
879684	GASKET SET Overhaul	48	-	879684	GASKET SET Overhaul	50	-
879684	GASKET SET Overhaul	56	-	879684	GASKET SET Overhaul	60	-
879684	GASKET SET Overhaul	62	-	879684	GASKET SET Overhaul	70	-
879684	GASKET SET Overhaul	76	-	879704	ADAPTER Injector Nozzle	50	28
879708	COOLER Air	30	1	879709	COOLER Air	30	1
879710	HOUSING	32	1	879710	HOUSING	36	1
879711	SCREW	32	14	879711	SCREW	36	14
879712	RAIL Water (REAR)	70	8	879713	MANIFOLD Front	70	1
879714	SCREW (M6 x 80)	70	9	879715	CYLINDER HEAD ASSEMBLY	14	1
879715	CYLINDER HEAD ASSEMBLY	14	1	879716	BRACKET Alternator	78	7
879717	MANIFOLD Exhaust	42	1	879718	KEY	24	3
879720	GASKET	42	22	879721	GASKET	46	15
879829	SHORTBLOCK ASSEMBLY	2	-	879829	SHORTBLOCK ASSEMBLY INCLUDES INTERNAL PARTS AND CYLINDER HEADS	4	-
879832	SHORTBLOCK ASSEMBLY	2	-	879832	SHORTBLOCK ASSEMBLY INCLUDES INTERNAL PARTS	4	-
88031	SWITCH ASSEMBLY	106	9	880819	ADAPTER	16	27
880820	SENDER	16	29	881308	CONTROL ASSEMBLY Engine	90	6
881309	CONTROL ASSEMBLY Engine	90	6	881716	LIFTING EYE	42	9
881742	GASKET SET Overhaul	4	-	881742	GASKET SET Overhaul	8	-
881742	GASKET SET Overhaul	16	-	881742	GASKET SET Overhaul	22	-
881742	GASKET SET Overhaul	26	-	881742	GASKET SET Overhaul	28	-
881742	GASKET SET Overhaul	30	-	881742	GASKET SET Overhaul	34	-
881742	GASKET SET Overhaul	36	-	881742	GASKET SET Overhaul	40	-
881742	GASKET SET Overhaul	42	-	881742	GASKET SET Overhaul	48	-
881742	GASKET SET Overhaul	50	-	881742	GASKET SET Overhaul	56	-
881742	GASKET SET Overhaul	60	-	881742	GASKET SET Overhaul	62	-
881742	GASKET SET Overhaul	70	-	881742	GASKET SET Overhaul	76	-
881743	GASKET SET Cylinder Head	8	-	881743	GASKET SET Cylinder Head	18	-
881743	GASKET SET Cylinder Head	42	-	881743	GASKET SET Cylinder Head	52	-
881743	GASKET SET Cylinder Head	70	-	881745	DIODE	100	-
881746	SPACER	14	23	881746	SPACER	14	23
881746	SPACER	14	24	881746	SPACER	14	24
881787	HOUSING	36	21	881789	SEAL	28	4
883960	GEAR	24	4	883960A1	GEAR	24	4

PARTS INDEX

Part No.	Description	Pg.	Ref.no	Part No.	Description	Pg.	Ref.no
883961	SPACER	24	4	883962	GASKET SET Cylinder Head	8	-
883962	GASKET SET Cylinder Head	18	-	883962	GASKET SET Cylinder Head	42	-
883962	GASKET SET Cylinder Head	50	-	883962	GASKET SET Cylinder Head	70	-
883967	HOSE	92	11	883968	HOSE Reservoir To Cooler	92	11
883969	HOSE Cooler To Steering Cylinder	92	13	883970	HOSE Power Steering Pump To Steering Cylinder	92	15
883971	HOSE Power Steering Pump To Reservoir	92	9	883972	HOSE	60	30
883998	COVER	8	1	883999	GASKET	8	2
884000	ADAPTER	16	27	884000	ADAPTER	16	27
884002	BRACKET	62	3	884003	HOUSING Thermostat	62	7
884004	GASKET	70	5	884004	GASKET	70	5
884005	HARNES ASSEMBLY Engine Wiring, Engine w/Deutsch Connector	70	1	884005	HARNES ASSEMBLY Engine	84	1
884006	BEARING (.10 mm) Front Thrust	24	7	884006	BEARING (.10 mm) Front Thrust	24	7
884007	BEARING (.20 mm) Front Thrust	24	7	884007	BEARING (.20 mm) Front Thrust	24	7
884008	BEARING Standard	24	9	884008	BEARING Standard	24	9
884009	BEARING (.25 mm)	24	9	884009	BEARING (.25 mm)	24	9
884010	BEARING (.50 mm)	26	9	884010	BEARING (.50 mm)	26	9
884011	FLANGE ASSEMBLY	26	15	884011	FLANGE ASSEMBLY	26	15
884012	SEAL	26	18	884012	SEAL	26	18
884013	CRANKSHAFT	24	1	884014	CRANKSHAFT	24	1
884016	CLAMP	58	3	884028	O-RING	32	11
884028	O-RING	32	11	884028	O-RING	36	13
884028	O-RING	36	13	884028001	O-RING	26	19
884028001	O-RING	26	19	88743	SCREW (.312-18 x .500)	58	-
88791T	MOUNT Rubber	32	22	889030	SPACER Flywheel	32	12
889030	SPACER Flywheel	32	12	889030	SPACER Flywheel	36	11
889030	SPACER Flywheel	36	11	891889	HOSE	46	30
896332092	HOSE Adapter	60	36	89879	O-RING (.301 x .064)	92	14
89879	O-RING (.301 x .064)	92	16	910002	STUD	106	2
91016	PLUG	46	11	94330	NUT (.250-20) Brass	78	4
96112	STUD (.250-28 x 2.00) Throttle Cable Anchor	94	11	96457	WASHER Phenolic (.27 x .81 x .062)	78	2
97477A3	STUD KIT	106	8	98277	SEAL	54	9
987981	STUD (.250-20/.250-28 x 2.120)	94	2	98828	SPACER	94	4
98880	SPRING	94	7	99322	SPACER	32	23
99356A2	COOLER ASSEMBLY	58	24	NSS	NOT SOLD SEPARATE Engaging Relay	74	2
NSS	NOT SOLD SEPARATE Parts Set Armature	74	3	NSS	NOT SOLD SEPARATE Armature	74	4
NSS	NOT SOLD SEPARATE Brush Set	74	5	NSS	NOT SOLD SEPARATE Electrical Box	88	1