

Parts Manual

Cat.# 90-889339

Revised 09-12-2020

TABLE OF CONTENTS

Cat.# 90-889339

SERVICE/SUPPORT MATERIAL.....	1
ALTERNATOR AND MOUNTING HARDWARE.....	3
Alternator (Mando).....	5
Starter Motor.....	7
ELECTRICAL BOX AND COMPONENTS.....	9
CONTROL UNIT AND BRACKET.....	11
Engine Harness.....	13
EDI Harness.....	15
FUEL FILTER.....	17
INJECTION PUMP NOZZLE, AND LINES.....	19
TURBO CHARGER/EXHAUST ELBOW.....	21
AIR CLEANER.....	25
AIR COOLER.....	27
MANIFOLD STRIP.....	29
ROCKER COVER.....	31
Rocker Arm and Lifters.....	33
CYLINDER HEAD.....	35
CAMSHAFT.....	39
FRONT COVER.....	41
WATER PUMP.....	43
ENGINE/CYLINDER BLOCK.....	45
CRANKSHAFT.....	47
CONNECTING ROD AND PISTON.....	49
OIL PAN.....	51
Oil Filter and Oil Hoses.....	53
EXHAUST MANIFOLD.....	55
HEAT EXCHANGER AND HOSES.....	57
THERMOSTAT ASSEMBLY AND HOSES.....	59
FLYWHEEL HOUSING (STERN DRIVE).....	61
FLYWHEEL HOUSING (INBOARD).....	63
SEAWATER FILTER.....	65
SEAWATER PUMP.....	67
Coolant Recovery.....	69
POWER STEERING COMPONENTS (STERN DRIVE).....	71
OIL RESERVOIR COMPONENTS (STERN DRIVE).....	73
Shift Bracket.....	75
Gimbal Housing Cover (STERNDRIVE).....	77
MERCATHODE (STERN DRIVE).....	79

TABLE OF CONTENTS

Transmission Mounting (INBOARD).....	81
TRANSMISSION & RELATED PARTS (INBOARD).....	83
PRIMARY STATION INSTRUMENTATION.....	87
SECONDARY STATION INSTRUMENTATION.....	89

SERVICE/SUPPORT MATERIAL

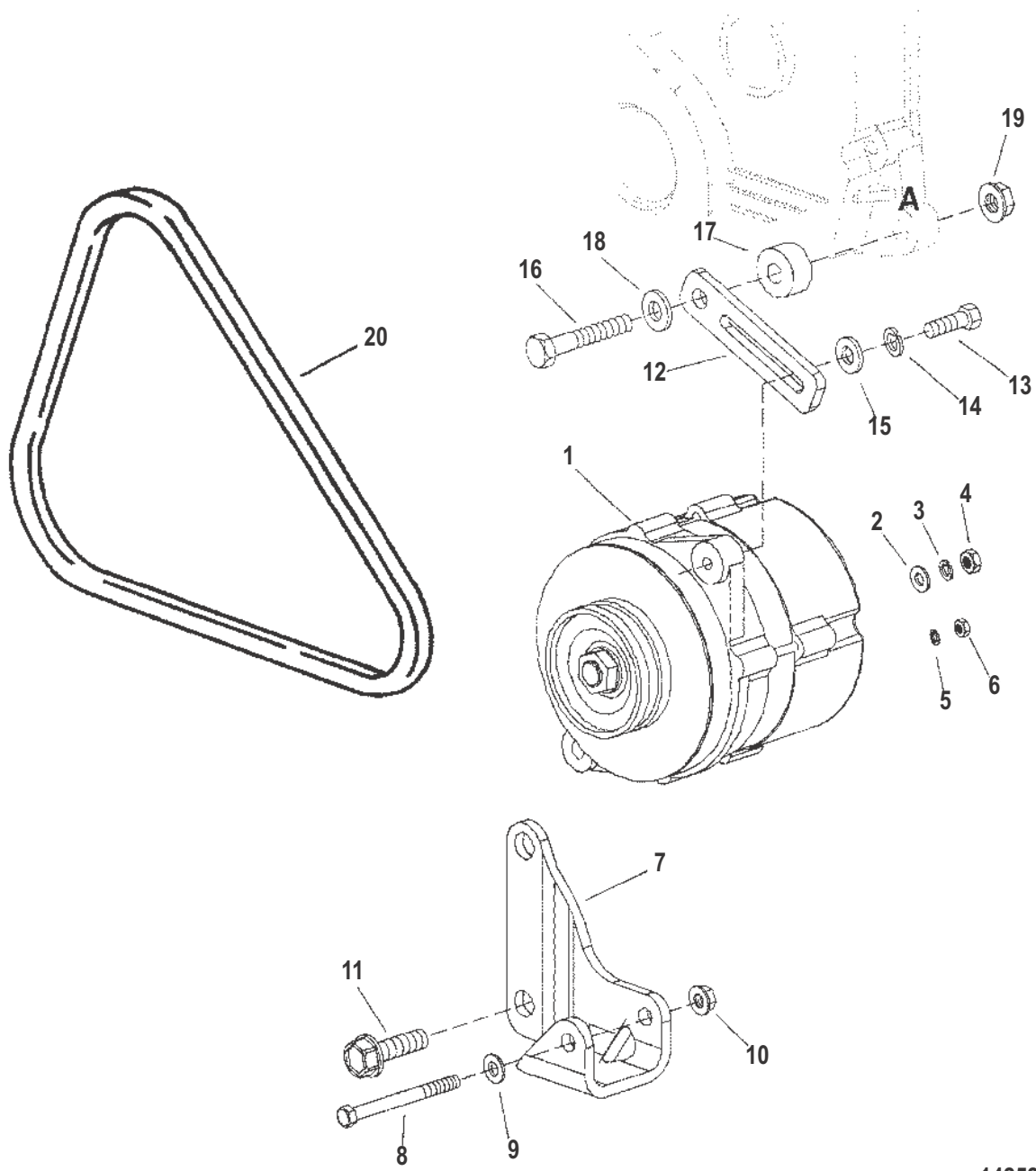
SERVICE/SUPPORT MATERIAL

Ref #	Part Class	Part Number	Description	Comments	Qty	Note
0	0090	860094020	OWNERS GUIDE	(STERN DRIVE)	1	
0	0090	8600741	SERVICE MANUAL		1	
0	0090	860074020	SERVICE MANUAL SUPPLEMENT		1	
0	0091	889331	TOOL Flywheel TDC Alignment Pin Timing		1	[1]
-	0000	891867	LONGBLOCK ASSEMBLY (300 HP) Engine		1	

PART NOTES:

[1] - PART IS NEW AND LISTED FOR THE FIRST TIME

ALTERNATOR AND MOUNTING HARDWARE



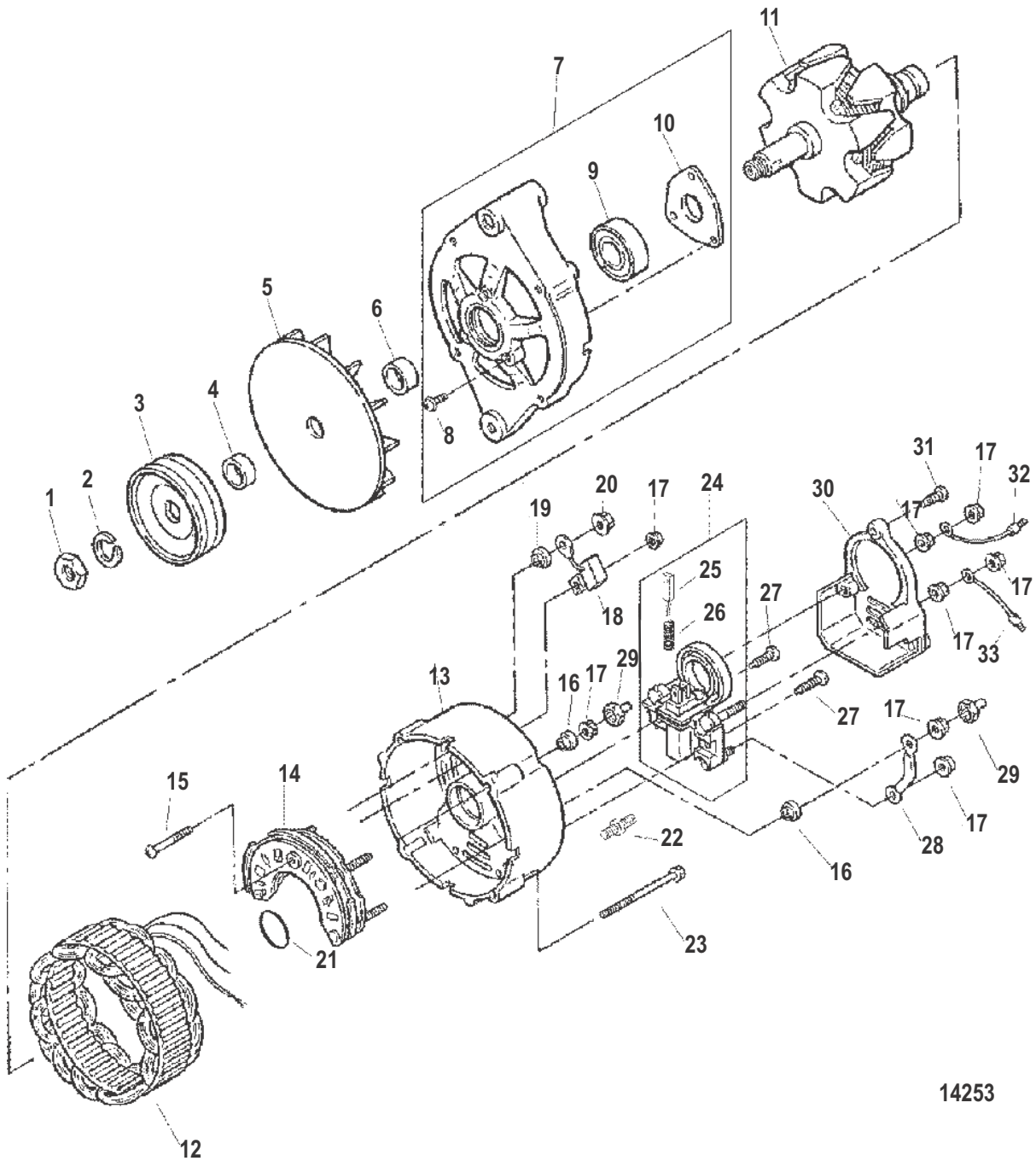
A = FRONT COVER

14252

ALTERNATOR AND MOUNTING HARDWARE

Ref #	Part Class	Part Number	Description	Comments	Qty	Note
1	0000	805884T	ALTERNATOR		1	
2	0012	96457	WASHER Phenolic (.27 x .81 x .062)		1	
3	0013	26992	LOCKWASHER (.250) Stainless Steel		1	
4	0011	94330	NUT (.250-20) Brass		1	
5	0013	26996	LOCKWASHER (#10) Stainless Steel		2	
6	0011	79989	NUT (#10-24) Stainless Steel		2	
7	0000	806979T	BRACKET		1	
8	0010	854181	SCREW (M8)		1	
9	0013	811460	LOCKWASHER		1	
10	0011	854184	NUT (M8)		1	
11	0010	855508	SCREW (M14 x 25)		2	
12	0000	806980T	BRACE		1	
13	0010	35386	SCREW (.312-18 x 1.00)		1	
14	0013	53166	LOCKWASHER (.312)		1	
15	0012	814806	WASHER (.344 x .688 x .065) Stainless Steel		1	
16	0010	4000382	SCREW (M10 x 60)		1	
17	0023	807030	SPACER		1	
18	0012	811479	WASHER		1	
19	0011	4013610	NUT (M10) Stainless Steel		1	
20	0057	64032A1	V BELT		2	

Alternator (Mando)



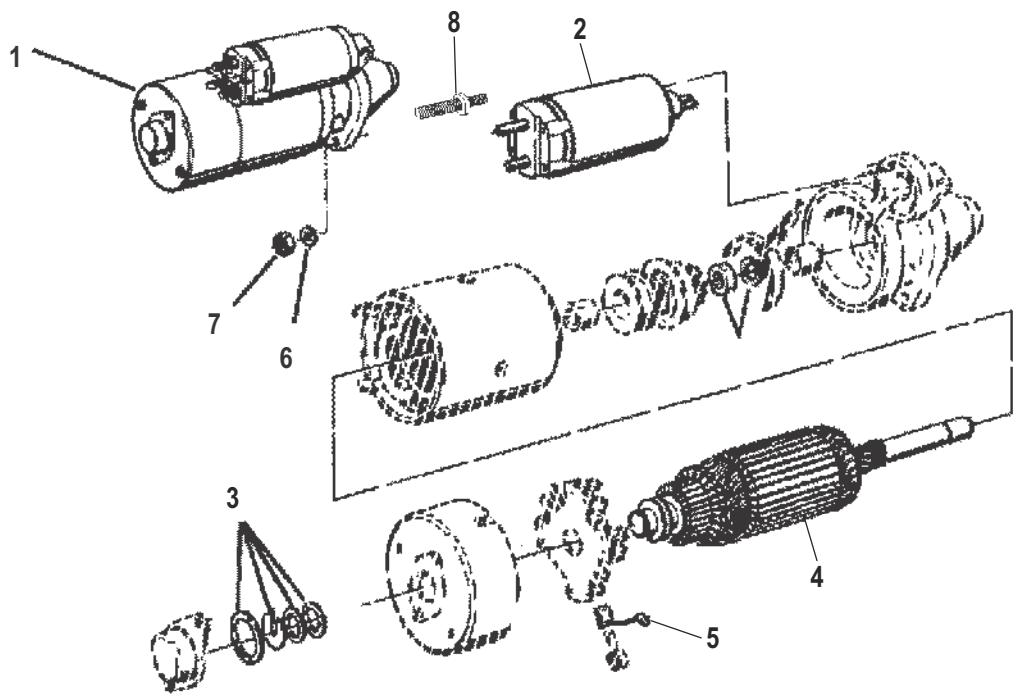
14253

Alternator (Mando)

Ref #	Part Class	Part Number	Description	Comments	Qty	Note
-	0000	805884T	ALTERNATOR		1	
1	0011	809136	NUT		1	
2	0013	809137	LOCKWASHER		1	
3	0000	889910	PULLEY		1	
4	0023	809135	SPACER		1	
5	0000	809139	FAN ASSEMBLY		1	
6	0023	809140	SPACER		1	
7	0000	809151	BRACKET ASSEMBLY		1	
8	0010	809154	SCREW		3	
9	0030	809153	BEARING		1	
10	0000	809152	RETAINER		1	
11	0000	809150	ROTOR		1	
12	0000	809133T	STATOR		1	
13	0000	809155	BRACKET ASSEMBLY		1	
14	0000	809162	RECTIFIER		1	
15	0010	809160	SET SCREW		1	
16	0000	809146	MOLD		2	
17	0011	809143	NUT		8	
18	0000	809161	CONDENSER		1	
19	0000	809158	MOLD		1	
20	0011	809157	NUT		1	
21	0025	809156	O-RING		1	
22	0010	809159	BOLT		1	
23	0010	809138	BOLT		4	
24	0000	811883T	REGULATOR ASSEMBLY		1	
25	0000	811884	BRUSH		2	
26	0024	811885	SPRING		2	
27	0010	809141	SCREW		2	
28	0000	809142	TERMINAL		1	
29	0000	809149	CAP		2	
30	0000	809144	COVER		1	
31	0010	809145	SET SCREW		1	
32	0084	809148	LEAD WIRE Black		1	
33	0084	809147	LEAD WIRE Red		1	

Alternator (Mando)

Starter Motor

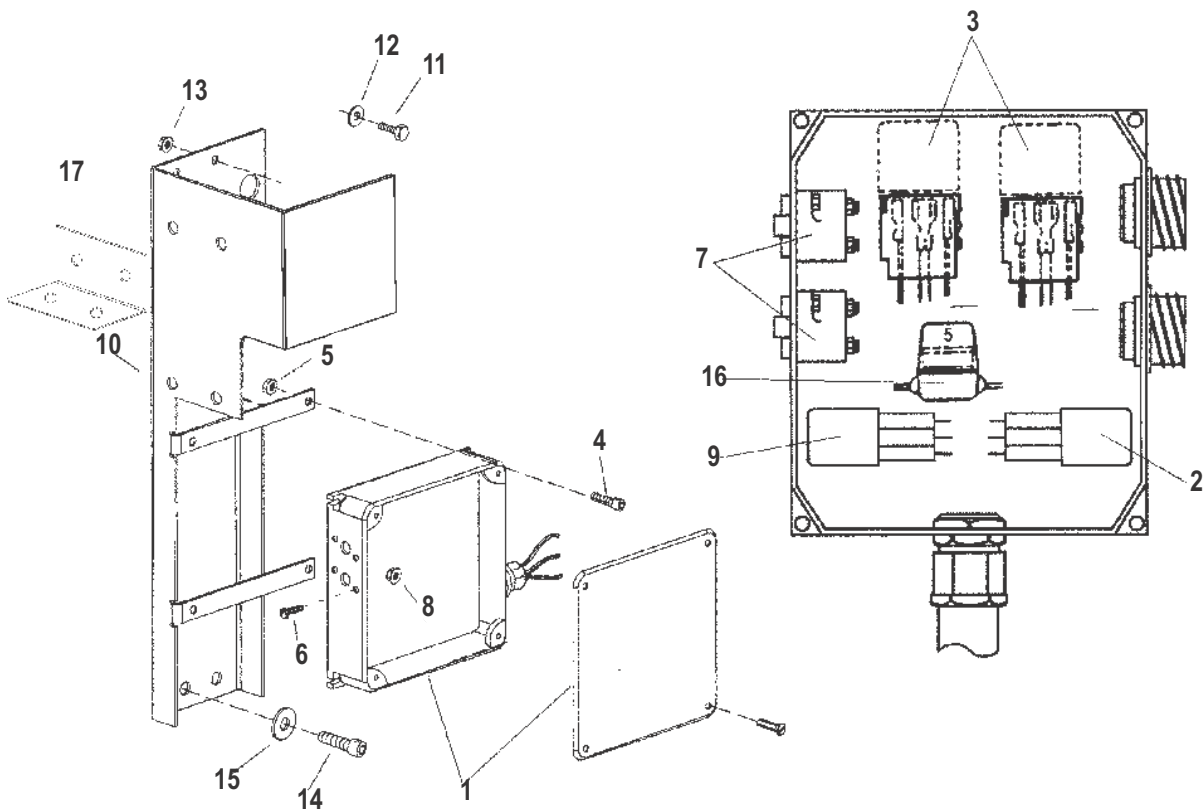


12737

Starter Motor

Ref #	Part Class	Part Number	Description	Comments	Qty	Note
1	0050	801333980	STARTER MOTOR ASSEMBLY		1	
2		NSS	NOT SOLD SEPARATE Engaging Relay		1	
3		NSS	NOT SOLD SEPARATE Parts Set Armature		1	
4		NSS	NOT SOLD SEPARATE Armature		1	
5		NSS	NOT SOLD SEPARATE Brush Set		1	
6	0013	811408	LOCKWASHER		2	
7	0011	811458	NUT		2	
8	0016	891725	STUD Starter Positive		1	

ELECTRICAL BOX AND COMPONENTS



12738

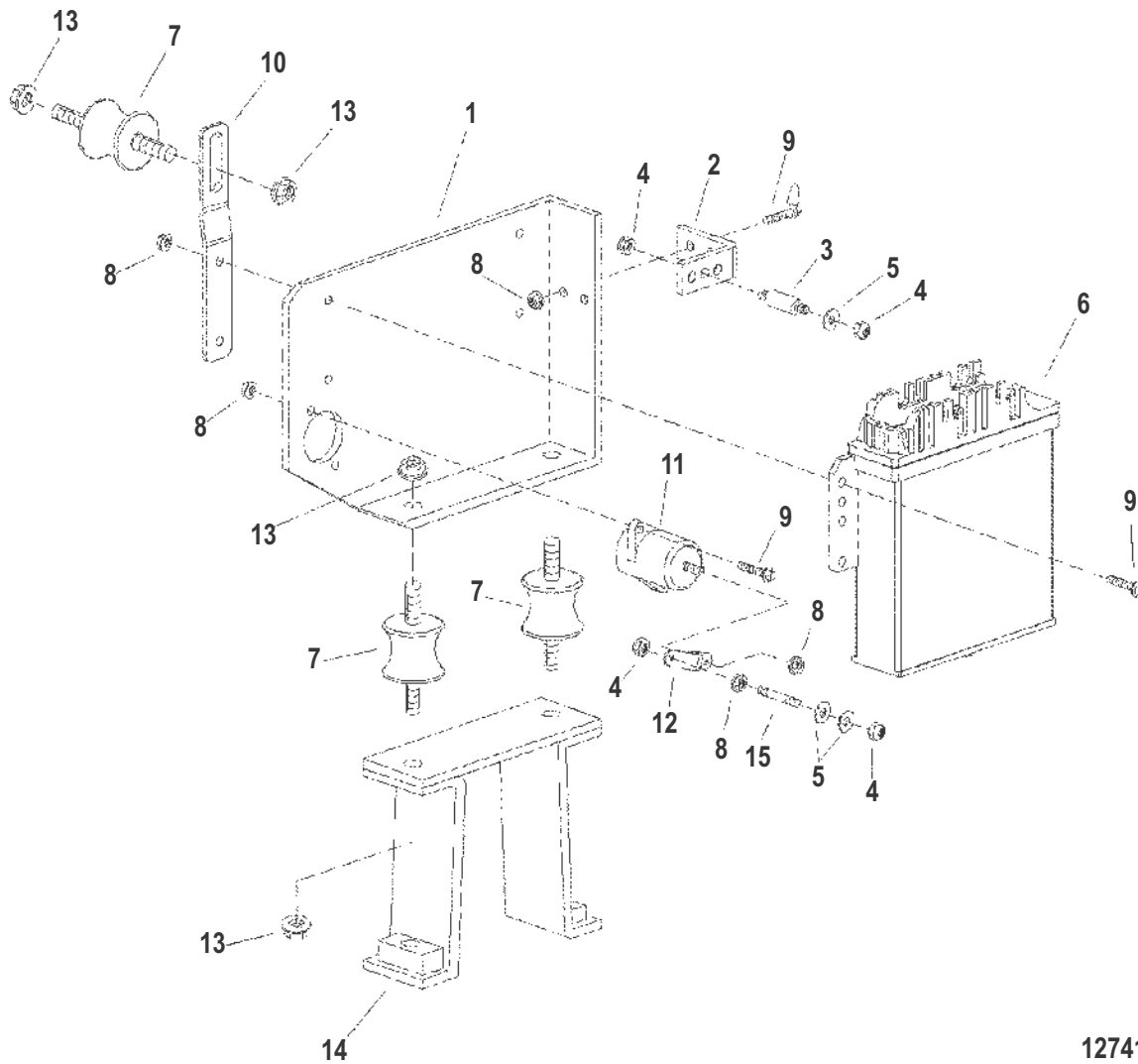
ELECTRICAL BOX AND COMPONENTS

Ref #	Part Class	Part Number	Description	Comments	Qty	Note
1		NSS	NOT SOLD SEPARATE Electrical Box		1	
2	0087	855391	POWER RELAY		1	
3	0087	855391	POWER RELAY		2	
4	0010	809919926	SCREW (M6 x 25)		4	
5	0011	854032	NUT (M6)		4	
6	0010	854104	SCREW (M5 x 20)		4	
7	0088	801329978	BREAKER Circuit		2	
8	0011	855385	NUT (M5)		4	
9	0087	855386	POWER RELAY		1	
NS	0000	821509	RELAY (AUDIO WARNING)		1	
10	0000	889890	BRACKET		1	
11	0010	854113	SCREW (M6 x 14)		2	
12	0012	4002217	WASHER		2	
13	0011	854032	NUT (M6)		2	
14	0010	811457	SCREW (M10 x 35)		3	
15	0012	811459	WASHER		2	
16		860607	FUSE 5 Ampere		1	
17	0000	889917	BRACKET		1	[1]

PART NOTES:

[1] - PART IS NEW AND LISTED FOR THE FIRST TIME

CONTROL UNIT AND BRACKET



12741

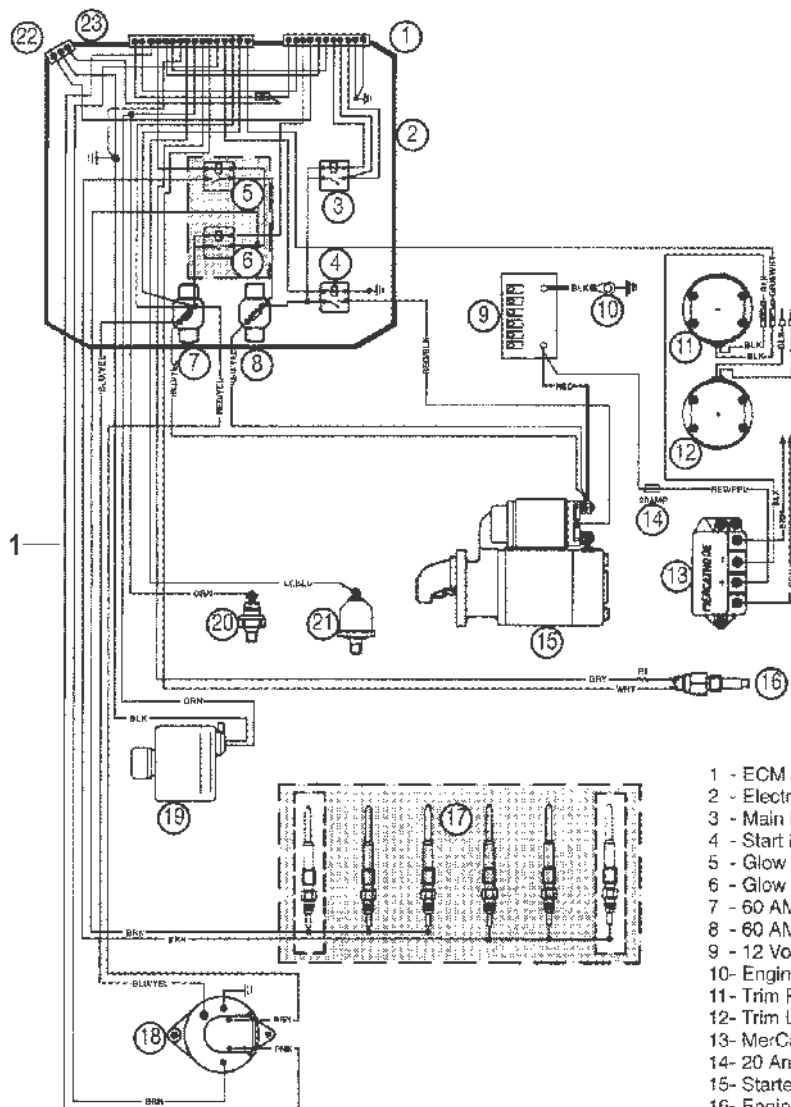
CONTROL UNIT AND BRACKET

Ref #	Part Class	Part Number	Description	Comments	Qty	Note
1	0000	854025	BRACKET		1	
2	0000	854026	BRACKET		1	
3	0016	854027	STUD Remote Control Cable		1	
4	0011	854028	LOCKNUT		4	
5	0012	854029	WASHER		3	
6	0000	881309	CONTROL ASSEMBLY Engine		1	
6	0000	889891	CONTROL ASSEMBLY Engine	(Bodensee)	1	[1]
7	0000	854031	SUPPORT		3	
8	0011	854032	NUT (M6)		10	
9	0010	855511	SCREW (M6 x 20)		8	
10	0000	854034	BRACKET		1	
11	0000	854035	TPS		1	
12	0000	854036	LEVER Throttle Position Sensor		1	
13	0011	854037	NUT (M8)		1	
14	0000	854038	SUPPORT	(STERN DRIVE)	1	
14	0000	860598	SUPPORT	(INBOARD)	1	
15	0016	854039	STUD TPS Lever		1	

PART NOTES:

[1] - PART IS NEW AND LISTED FOR THE FIRST TIME

Engine Harness



- 1 - ECM / Fuel System Harness Connector
- 2 - Electrical Box
- 3 - Main Relay
- 4 - Start Relay
- 5 - Glow Plug Relay (Optional)
- 6 - Glow Plug Relay (Optional)
- 7 - 60 AMP Circuit Breaker
- 8 - 60 AMP Circuit Breaker
- 9 - 12 Volt Battery
- 10 - Engine Ground Stud
- 11 - Trim Position Sender, Starboard
- 12 - Trim Limit Switch, Port
- 13 - MerCathode Controller
- 14 - 20 Amp Fuse and Holder
- 15 - Starter
- 16 - Engine Coolant Temperature Sender
- 17 - Glow Plugs (If So Equipped)
- 18 - Alternator
- 19 - Gear Lube Monitor Bottle
- 20 - Oil Pressure / Audio Warning Switch
- 21 - Oil Pressure Sender
- 22 - Diagnostic Connector
- 23 - Instrument / Extension Harness Connector

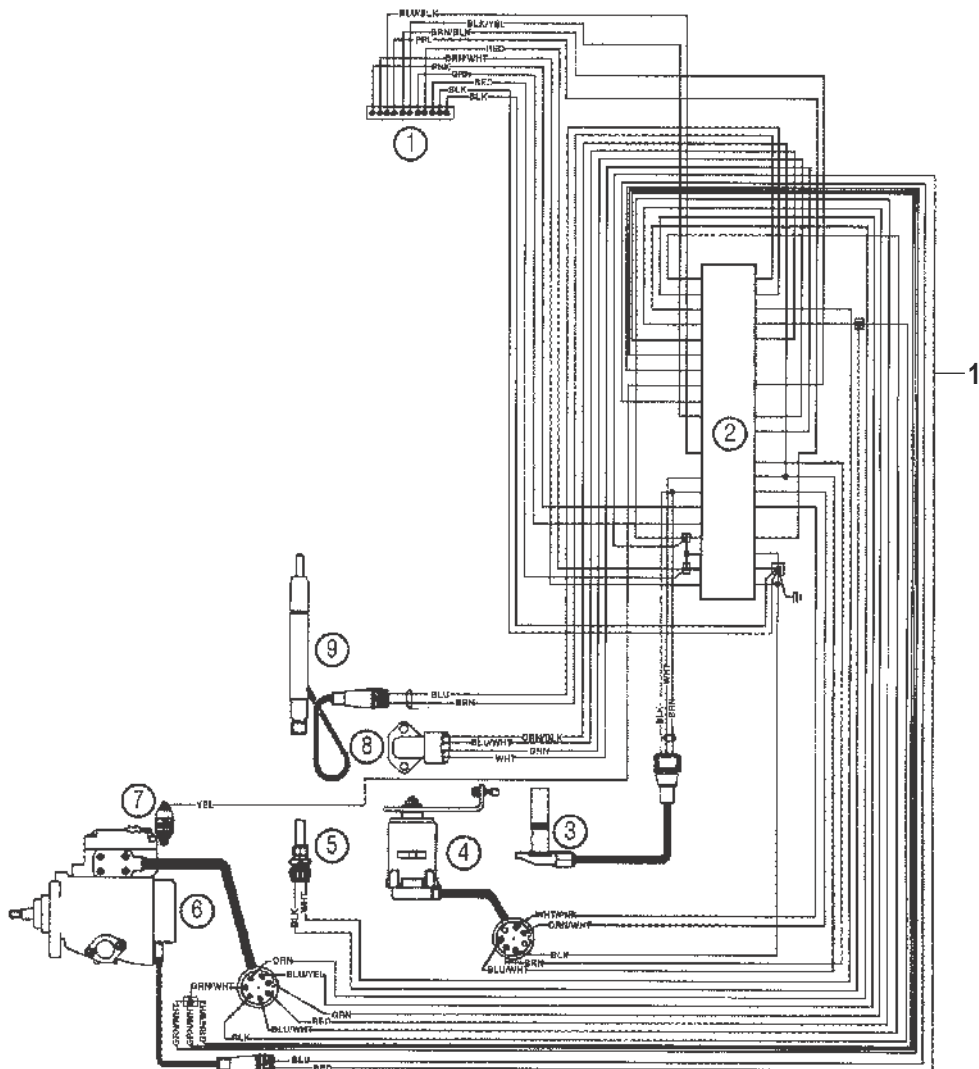
12743

Cat.# 90-889339

Engine Harness

Ref #	Part Class	Part Number	Description	Comments	Qty	Note
1	0084	884005	HARNESS ASSEMBLY Engine	(STERNDRIVE OR INBOARD)	1	

EDI Harness



- 1 - ECM (Electronic Control Module) / Fuel System Connector
- 2 - ECM
- 3 - Engine-Speed Sensor
- 4 - Throttle Position Sensor
- 5 - Engine Coolant Temperature Sensor (ECT to ECM)
- 6 - Electronic Distributor Injection Pump
- 7 - Electronic Shut-Off Solenoid (ELAB)
- 8 - Manifold Absolute Pressure Sensor MAP
- 9 - Fuel Injector with Needle Motion Sensor (NBF)

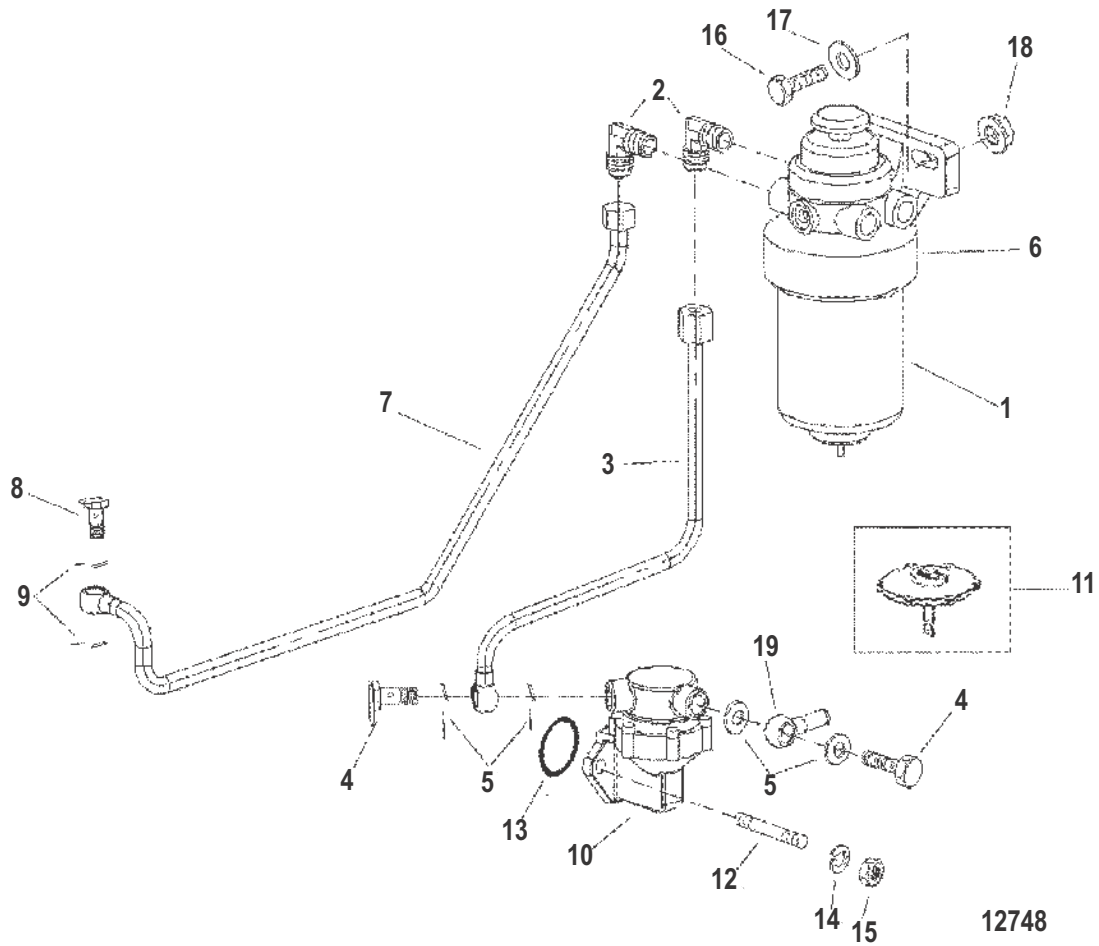
12746

Cat.# 90-889339

EDI Harness

Ref #	Part Class	Part Number	Description	Comments	Qty	Note
1	0084	854187	HARNESS ASSEMBLY ECM		1	

FUEL FILTER



12748

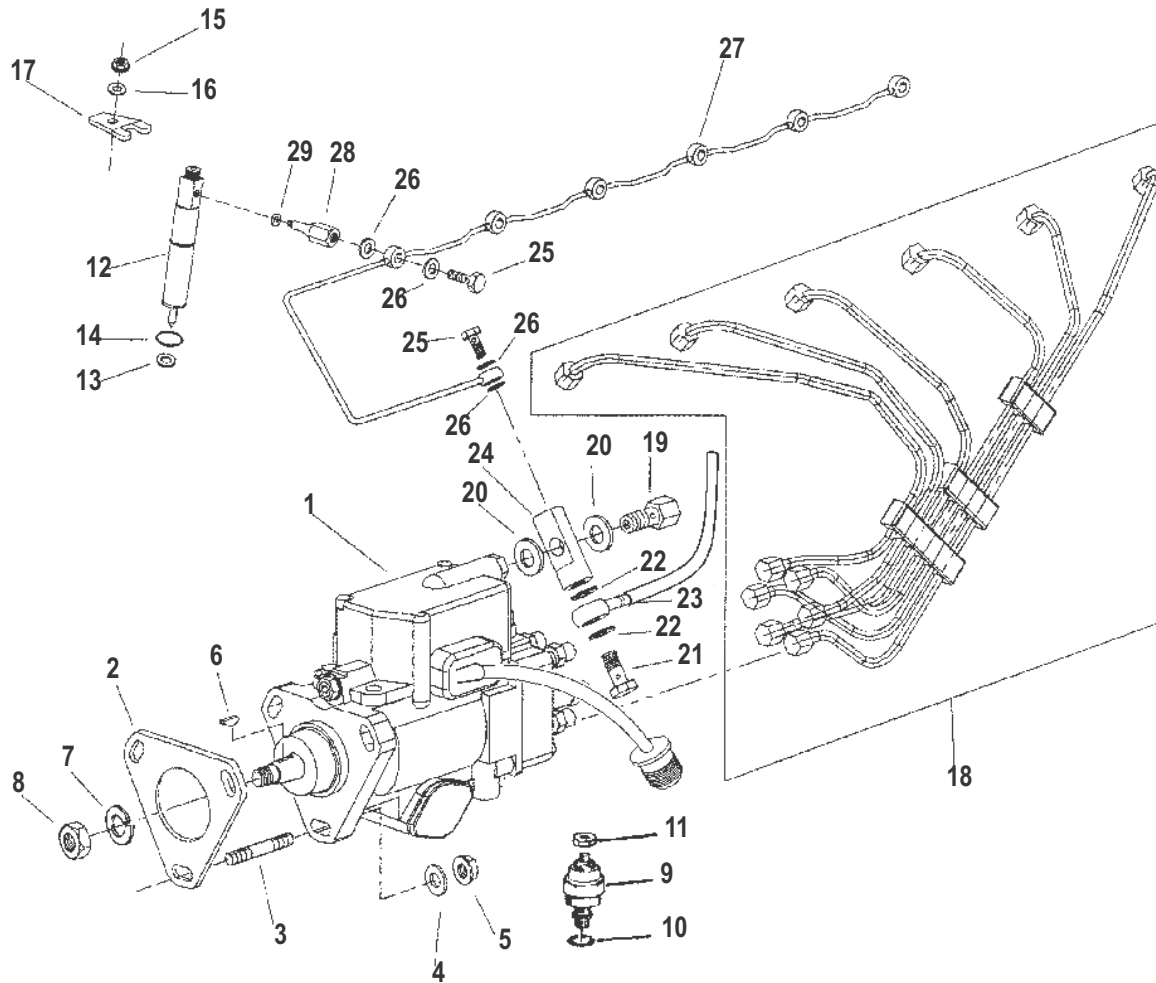
FUEL FILTER

Ref #	Part Class	Part Number	Description	Comments	Qty	Note
1	0035	807256T	FILTER Fuel		1	
2	0022	854159	FITTING (90 Degree)		2	
3	0032	854160	LINE Fuel		1	
4	0010	811410	SCREW (M14) (M14)		2	
5	0012	809963201	WASHER		4	[1]
6	0035	807256T1	HEADER ASSEMBLY		1	
-	0000	861068	RING Locking - Fuel Filter		1	
7	0032	854161	LINE Fuel		1	
8	0010	811401	BOLT Banjo (M12)		1	
9	0025	809963129	WASHER		2	[1]
10	0000	889888	PUMP Fuel		1	[2]
11	0000	801333865	DIAPHRAGM		1	
12	0016	811383	STUD (M8 x 20)		2	
13	0025	854162	O-RING		1	[1]
14	0013	811418	LOCKWASHER		2	
15	0011	811417	NUT		2	
16	0010	854155	SCREW (M10 x 30)		2	
17	0012	811479	WASHER		2	
18	0011	854122	NUT (M10)		2	
19	0000	801763843	FITTING		1	
-	0027	881742	GASKET SET Overhaul		1	

PART NOTES:

- [1] - COMPONENT OF OVERHAUL GASKET SET 881742
 [2] - PART IS NEW AND LISTED FOR THE FIRST TIME

INJECTION PUMP NOZZLE, AND LINES



12749

INJECTION PUMP NOZZLE, AND LINES

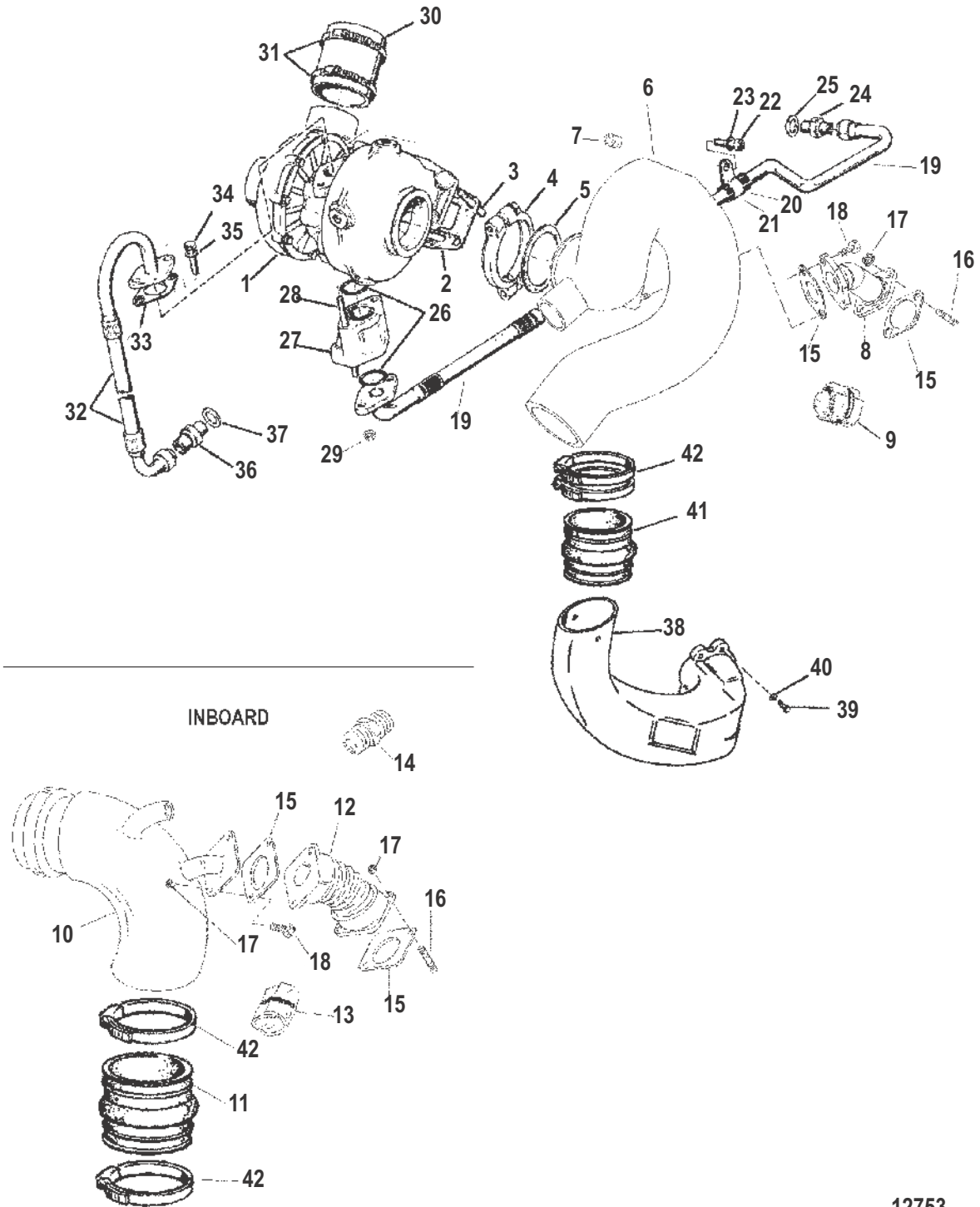
Ref #	Part Class	Part Number	Description	Comments	Qty	Note
1	0000	889884	PUMP Injection		1	[1]
2	0027	801765017	GASKET		1	[2]
3	0016	854135	STUD (M8 x 30)		3	
4	0012	811409	WASHER		3	
5	0011	854037	NUT (M8)		3	
6	0028	854136	KEY		1	
7	0013	811482	LOCKWASHER		1	
8	0011	854137	NUT		1	
9	0000	803623	VALVE		1	
10	0012	811407	WASHER		1	
11	0011	809922038	NUT		1	
12	0000	889885	INJECTION NOZZLE	(DUAL STAGE)	5	[1]
12	0000	889886	INJECTION NOZZLE	(#1 CYLINDER)	1	[1]
13	0027	854142	GASKET Injector Nozzle		6	[3]
14	0025	854143	O-RING		6	[3]
15	0011	854037	NUT (M8)		6	
16	0012	811455	WASHER		6	
17	0000	889887	BRACKET Injector Nozzle Hold Down		6	[1]
18	0032	855383	PRESSURE PIPES ASSEMBLY		1	
19	0010	801761166	SCREW		1	
20	0025	809963129	WASHER		2	[2]
21	0010	811410	SCREW (M14) (M14 X 1.5)		1	
22	0012	809963201	WASHER		2	[2]
23	0032	889920	HOSE Injection Pump to Cooler		1	[1]
24	0000	801761163	CONNECTOR Return		1	
25	0010	801761165	BOLT Banjo (M8 x 1.00)		5/7	
26	0025	809963042	O-RING		14	[3]
27	0032	854141	PIPE		1	
28	0022	879704	ADAPTER Injector Nozzle		6	
29	0012	811411	WASHER Sealing		6	[3]
-	0027	881742	GASKET SET Overhaul		1	
-	0027	881743	GASKET SET Cylinder Head		1	

PART NOTES:

- [1] - PART IS NEW AND LISTED FOR THE FIRST TIME
- [2] - COMPONENT OF OVERHAUL GASKET SET 881742
- [3] - COMPONENT OF OVERHAUL GASKET SET 881742
COMPONENT OF CYLINDER HEAD GASKET SET 881743

INJECTION PUMP NOZZLE, AND LINES

TURBO CHARGER/EXHAUST ELBOW



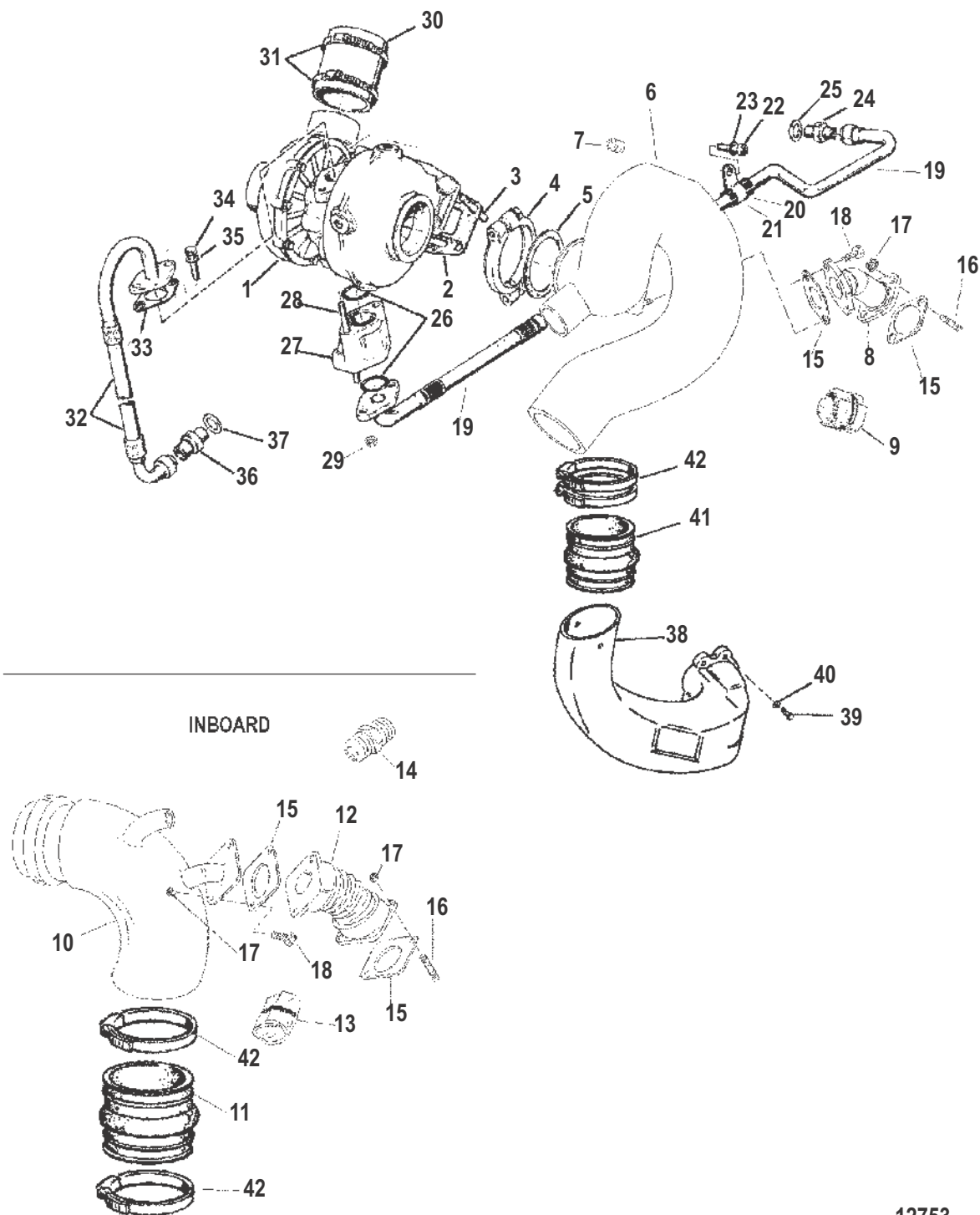
12753

TURBO CHARGER/EXHAUST ELBOW

Ref #	Part Class	Part Number	Description	Comments	Qty	Note
1	0000	889341	TURBOCHARGER		1	[1]
2	0027	854129	GASKET		1	[2]
3	0016	801333453	STUD (M10 x 30)		4	
4	0054	864148	CLAMP		1	
5	0027	817089	GASKET		1	[2]
6	0000	805265A1	ELBOW Exhaust	(STERNDRIVE)	1	
7	0022	36382	FITTING (.250-18 x .62) Brass	(STERNDRIVE)	1	
8	0000	807049T	FLEX TUBE	(STERNDRIVE)	1	
9	0000	855483	BLANKET	(STERNDRIVE)	1	
10	0000	803609	ELBOW Exhaust (33 Degree)	(DOWN ANGLE)(Inboard)	1	
11	0032	860602	TUBE Exhaust		1	
12	0000	855482	FLEX TUBE		1	
13	0000	855483	BLANKET		1	
14	0022	805315	CONNECTOR		1	
15	0027	879721	GASKET		2	[2]
16	0016	811383	STUD (M8 x 20)		2	
17	0011	854037	NUT (M8)		2	
18	0010	854118	SCREW (M8 x 20)	(STERNDRIVE)	2	
18	0010	855520	SCREW (M8 x 25)	(INBOARD DESIGN 2)	2	
19	0032	889882	PIPE Return Oil		1	[1]
20	0023	811466	SLEEVE		1	
21	0054	811467	CLIP		1	
22	0010	811463	SCREW		1	
23	0013	811460	LOCKWASHER		1	
24	0022	801333464	FITTING		1	
25	0025	809963342	O-RING		1	[2]
26	0025	811461	O-RING		2	[2]
27	0000	889919	SPACER Oil Line		1	[1]
28	0016	801333451	STUD (M8 x 90)		2	
29	0011	854037	NUT (M8)		2	
30	0032	811464	HOSE		1	
31	0054	811435	CLAMP		2	
32	0032	889883	PIPE Oil, Delivery		1	[1]
33	0027	854133	GASKET		1	[2]
34	0010	811448	SCREW		2	
35	0013	811460	LOCKWASHER		2	
36	0022	801763389	FITTING		1	
37	0012	809963201	WASHER		1	[2]
38	0000	805013T1	PIPE Exhaust	(STERNDRIVE)	1	
39	0010	58640	SCREW (.375-16 x 1.25)	(STERNDRIVE)	4	
40	0013	41471	LOCKWASHER (.375)	(STERNDRIVE)	4	
41	0032	44348T	TUBE	(STERNDRIVE)	1	
42	0054	815504272	CLAMP Worm Gear		2	
-	0027	881742	GASKET SET Overhaul		1	

TURBO CHARGER/EXHAUST ELBOW

TURBO CHARGER/EXHAUST ELBOW



12753

Cat.# 90-889339

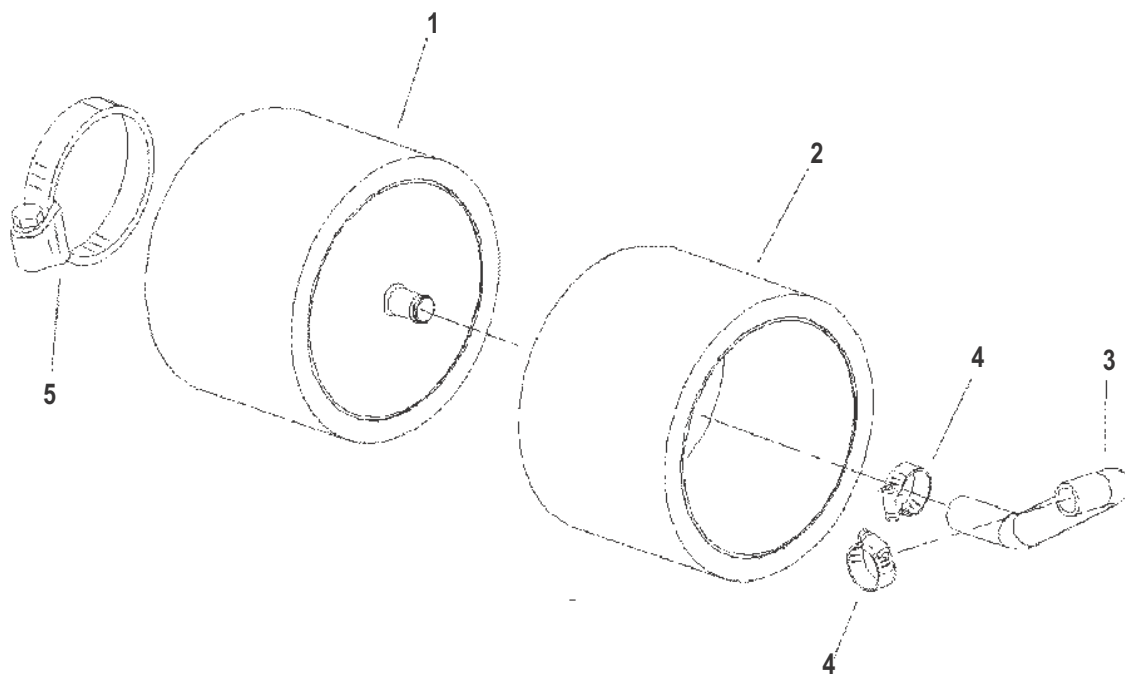
TURBO CHARGER/EXHAUST ELBOW

PART NOTES:

- [1] - PART IS NEW AND LISTED FOR THE FIRST TIME
- [2] - COMPONENT OF OVERHAUL GASKET SET 881742

TURBO CHARGER/EXHAUST ELBOW

AIR CLEANER



12757

Cat.# 90-889339

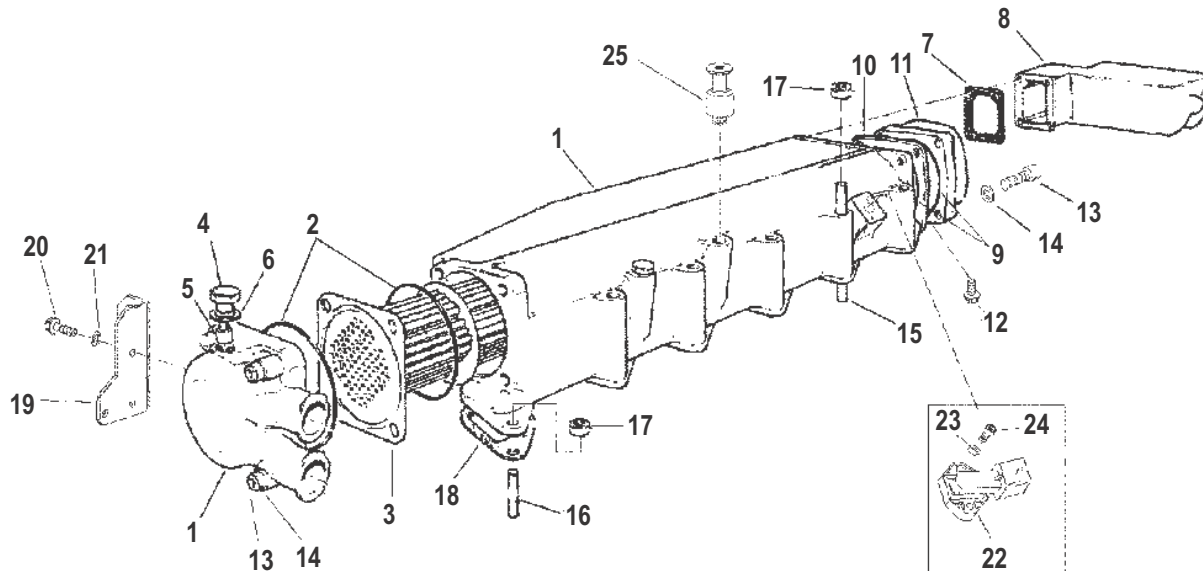
AIR CLEANER

Ref #	Part Class	Part Number	Description	Comments	Qty	Note
1	0000	889898	CLEANER ASSEMBLY Air		1	[1]
2	0035	889899	ELEMENT		1	[1]
3	0032	889874	HOSE		1	[1]
4	0054	854189	CLAMP Hose		2	
5	0054	815504348	CLAMP Worm Gear		1	

PART NOTES:

[1] - PART IS NEW AND LISTED FOR THE FIRST TIME

AIR COOLER



30391

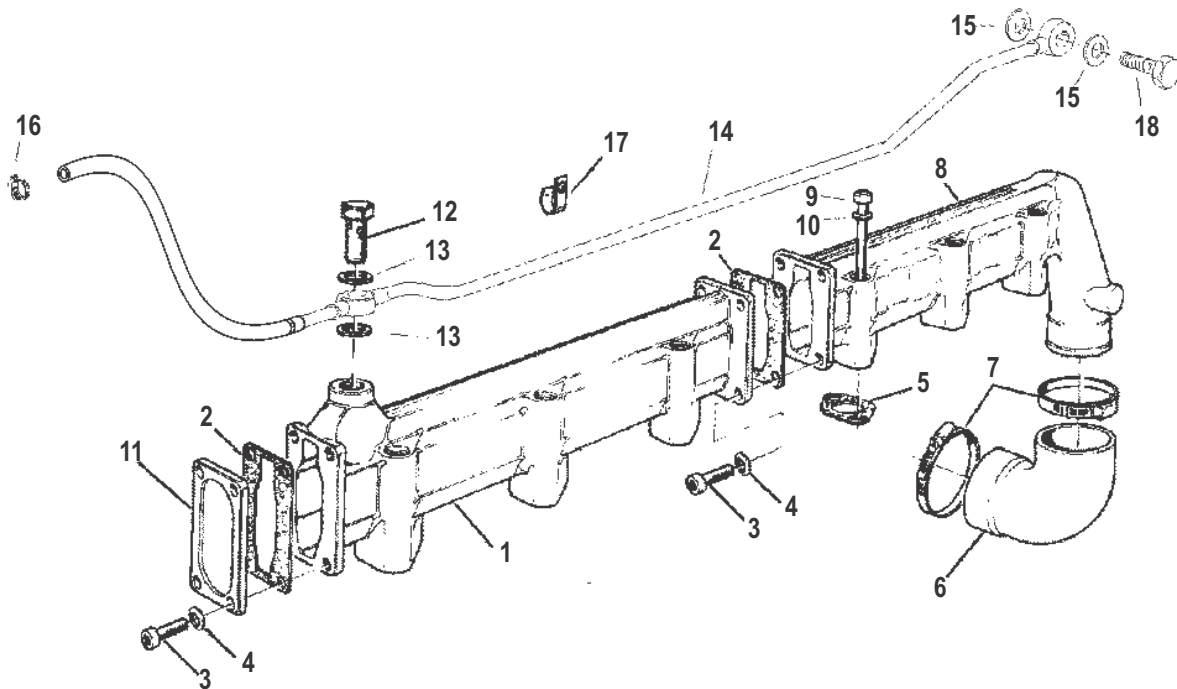
AIR COOLER

Ref #	Part Class	Part Number	Description	Comments	Qty	Note
1	0000	889868	COOLER Air		1	[1]
2	0025	811485	O-RING		2	
3	0000	854182	RADIATOR INSERT		1	
4	0010	811487	PLUG Anode Assembly		1	
5	0000	816000	ANODE		1	
6	0012	811483	WASHER		1	
7	0027	854214	GASKET		1	[1]
8	0000	889869	HOUSING		1	[1]
9	0025	811485	O-RING		2	
10	0000	809726	PLATE		1	
11	0000	854217	COVER		1	
12	0010	803607	PLUG		1	
13	0010	809724	SCREW (M8 x 35)		8	
14	0013	811460	LOCKWASHER		12	
15	0016	850418	STUD (M8 x 115)		5	
16	0016	850419	STUD (M8 x 22)		7	
17	0011	854037	NUT (M8)		12	
18	0027	854101	GASKET		6	[2]
19	0000	854203	LIFTING EYE		1	
20	0010	854118	SCREW (M8 x 20)		2	
21	0013	811384	LOCKWASHER (M8)		2	
22	0000	889870	SENSOR Map		1	[1]
23	0012	854103	WASHER		2	
24	0010	854104	SCREW (M5 x 20)		2	
25	0023	854019	SPACER		1	
-	0027	881742	GASKET SET Overhaul		1	

PART NOTES:

- [1] - PART IS NEW AND LISTED FOR THE FIRST TIME
 [2] - COMPONENT OF OVERHAUL GASKET SET 881742

MANIFOLD STRIP



12761

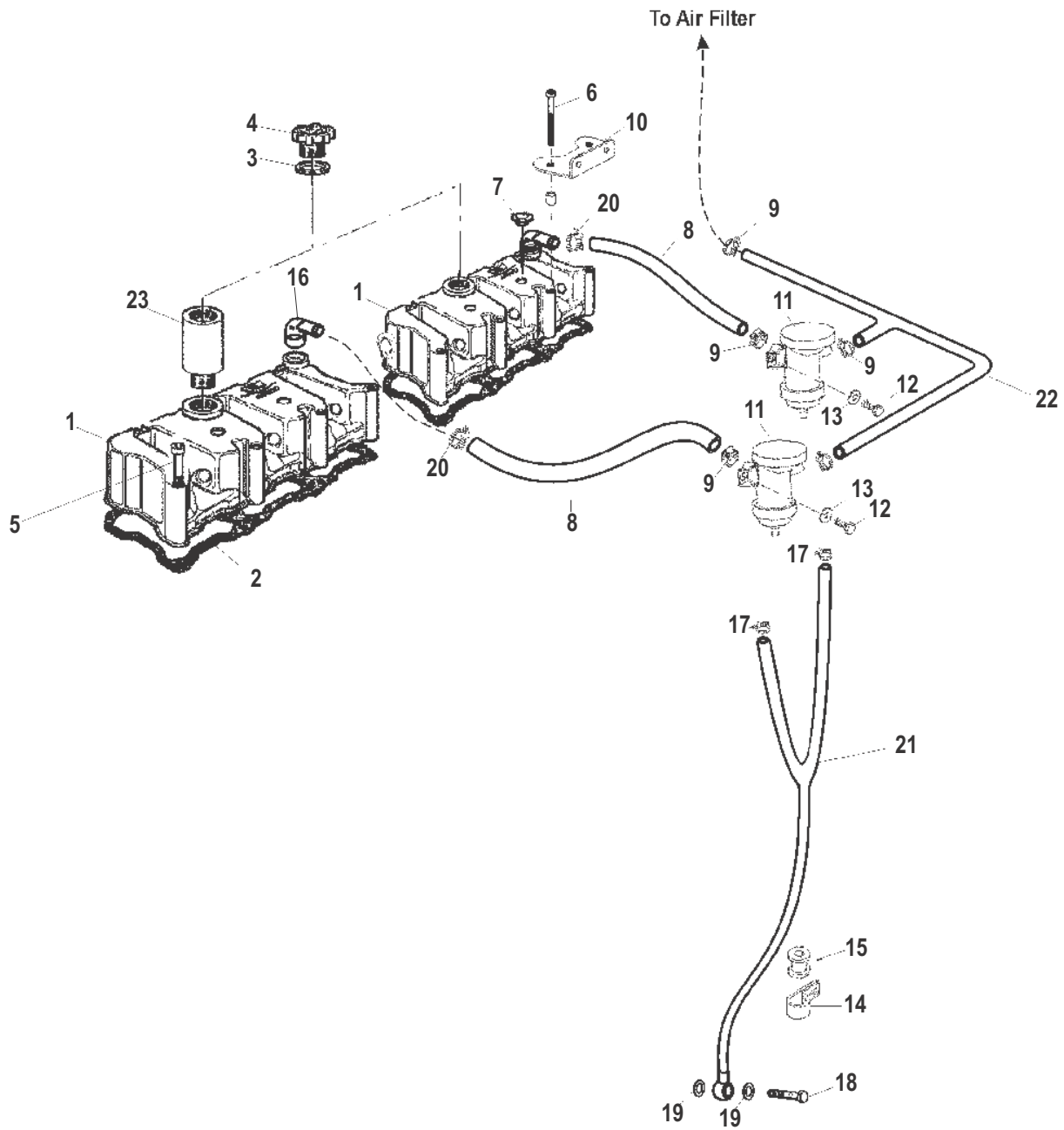
MANIFOLD STRIP

Ref #	Part Class	Part Number	Description	Comments	Qty	Note
1	0000	816785	STRIP Manifold (FRONT)		1	
2	0027	854171	GASKET		2	[1]
3	0010	809919781	SCREW (M6 x 18)		8	
4	0012	811450	WASHER		8	
5	0027	884004	GASKET		6	[2]
6	0032	854173	HOSE		1	
7	0054	801333457	CLAMP		2	
8	0000	889889	STRIP Manifold (REAR)		1	[3]
9	0010	879714	SCREW (M6 x 80)		12	
10	0012	811437	WASHER		12	
11	0000	811432	COVER		1	
12	0010	811401	BOLT Banjo (M12)		1	
13	0025	809963129	WASHER		2	[1]
14	0032	804702	PIPE		1	[3]
15	0012	809963072	WASHER		2	[1]
16	0054	854177	CLAMP		1	
17	0054	814634	CLAMP		1	
18	0010	801333874	SCREW Banjo (M10) Banjo (M10)		1	
-	0027	881742	GASKET SET Overhaul		1	
-	0027	881743	GASKET SET Cylinder Head		1	

PART NOTES:

- [1] - COMPONENT OF OVERHAUL GASKET SET 881742
 [2] - COMPONENT OF OVERHAUL GASKET SET 881742
 COMPONENT OF CYLINDER HEAD GASKET SET881743
 [3] - PART IS NEW AND LISTED FOR THE FIRST TIME

ROCKER COVER



12763

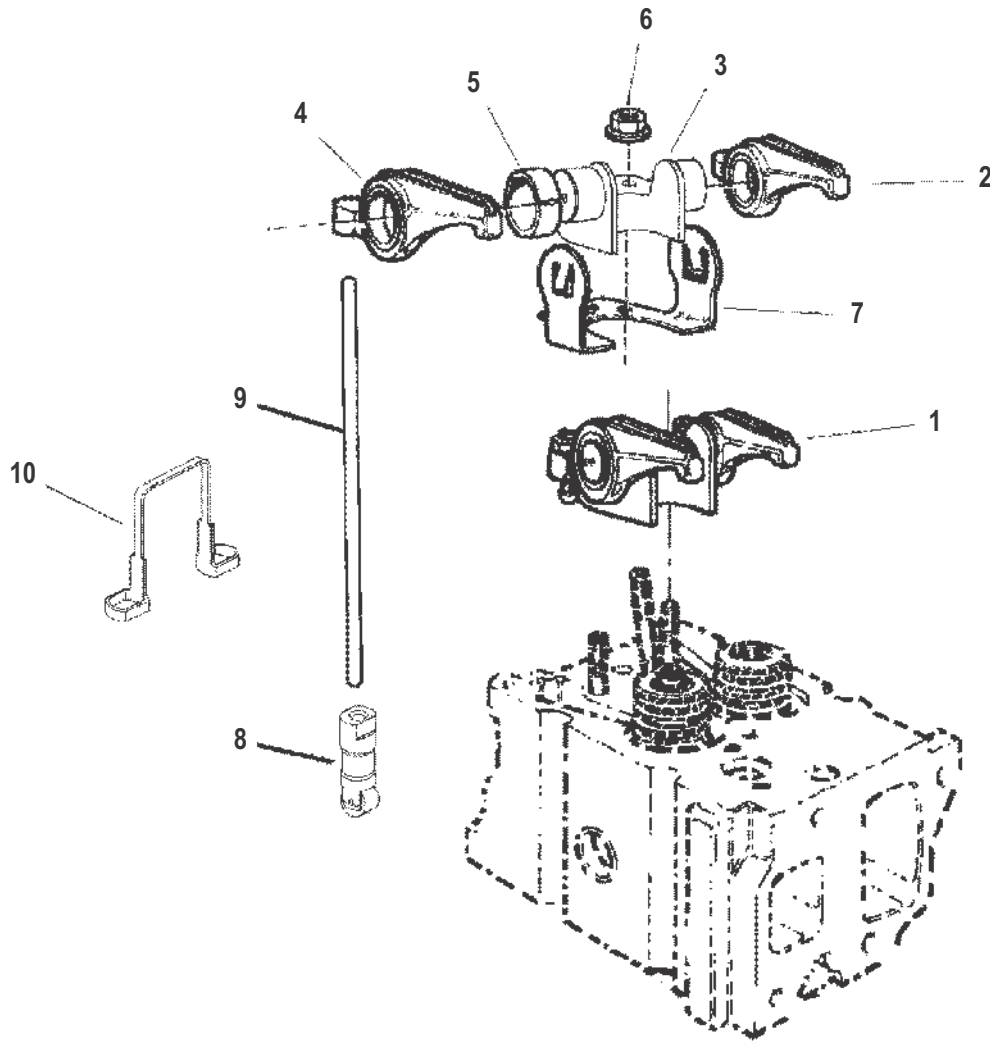
ROCKER COVER

Ref #	Part Class	Part Number	Description	Comments	Qty	Note
1	0000	889506	COVER		2	[1]
2	0027	854046	GASKET		2	[2]
3	0027	854047	GASKET Oil Fill Cap		2	[2]
4	0036	854048	CAP		2	
5	0010	811436	SCREW (M6 x 80)		12	
6	0010	854055	SCREW (M6 x 88)		2	
7	0019	854051	PLUG		4	
8	0032	889507	HOSE	(SHORT)	1	[1]
8	0032	889508	HOSE	(LONG)	1	[1]
9	0054	854189	CLAMP Hose		2	
10	0000	889896	BRACKET		1	[1]
11	0000	854050	SEPARATOR Oil		2	
12	0010	854113	SCREW (M6 x 14)		2	
13	0012	4002217	WASHER		2	
14	0054	811467	CLIP		1	
15	0025	854052	SLEEVE		1	
16	0022	889921	FITTING (90 Degree)		2	[1]
17	0054	809952104	CLAMP		5	
18	0010	811410	SCREW (M14)		1	
19	0012	809963201	WASHER		2	[3]
20	0054	854189	CLAMP Hose		1	
21	0032	889874	HOSE		1	[1]
22	0032	889894	HOSE		1	[1]
23	0000	854053	TUBE		1	
NS	0032	807322	HOSE		1	
-	0027	881742	GASKET SET Overhaul Engine Overhaul		1	
-	0027	881743	GASKET SET Cylinder Head		1	

PART NOTES:

- [1] - PART IS NEW AND LISTED FOR THE FIRST TIME
 [2] - COMPONENT OF OVERHAUL GASKET SET 881742
 COMPONENT OF CYLINDER HEAD GASKET SET 881743
 [3] - COMPONENT OF OVERHAUL GASKET SET 881742

Rocker Arm and Lifters

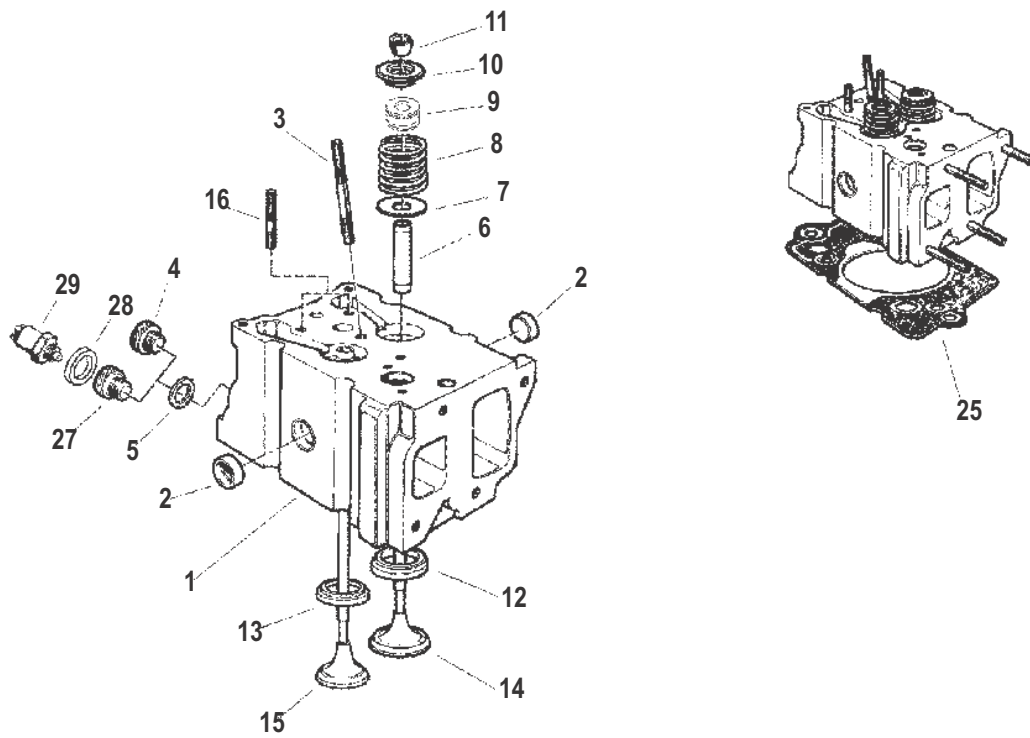
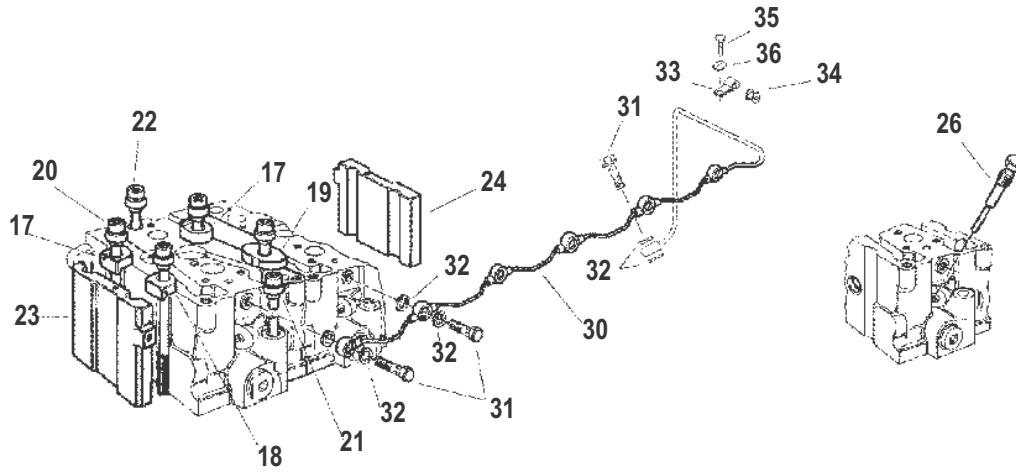


12764

Rocker Arm and Lifters

Ref #	Part Class	Part Number	Description	Comments	Qty	Note
1	0000	854057	ROCKER ARM ASSEMBLY		6	
2	0000	854059	ROCKER ARM Intake		6	
3	0000	854060	SUPPORT Rocker Arm		6	
4	0000	854061	ROCKER ARM Exhaust		6	
5	0023	854062	BUSHING		12	
6	0011	854037	NUT (M8)		12	
7	0000	854058T	BRACKET Rocker Arm		6	
8	0000	854063	LIFTER Roller		12	
9	0000	854064	PUSH ROD		12	
10	0000	854066	BRACKET Lifter Retainer		6	

CYLINDER HEAD



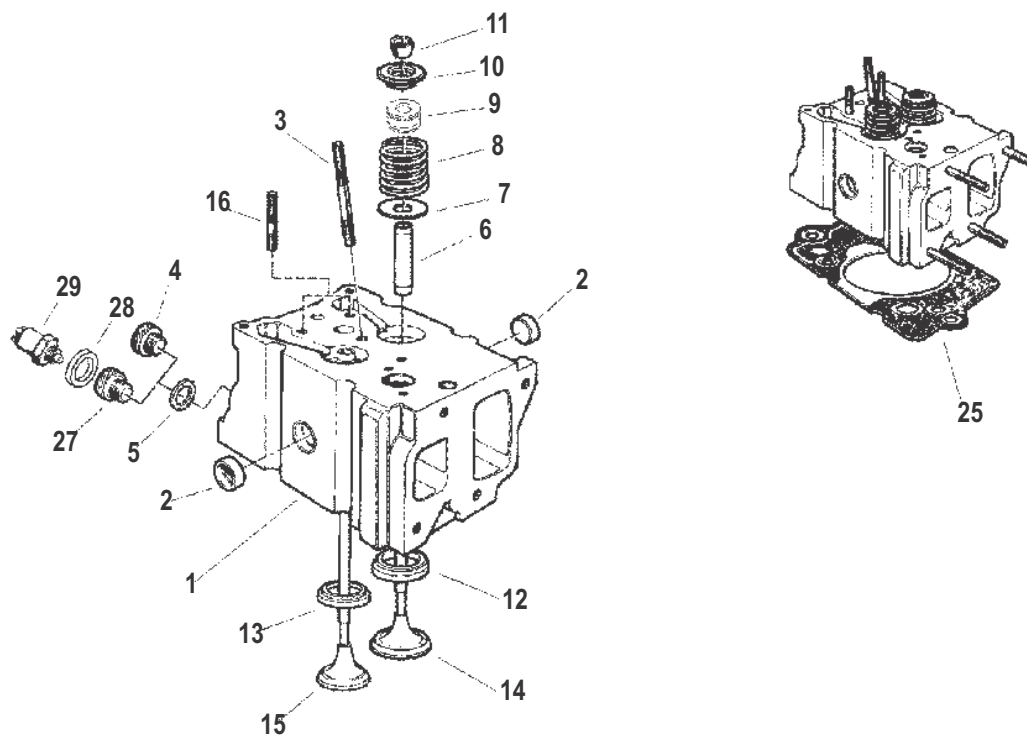
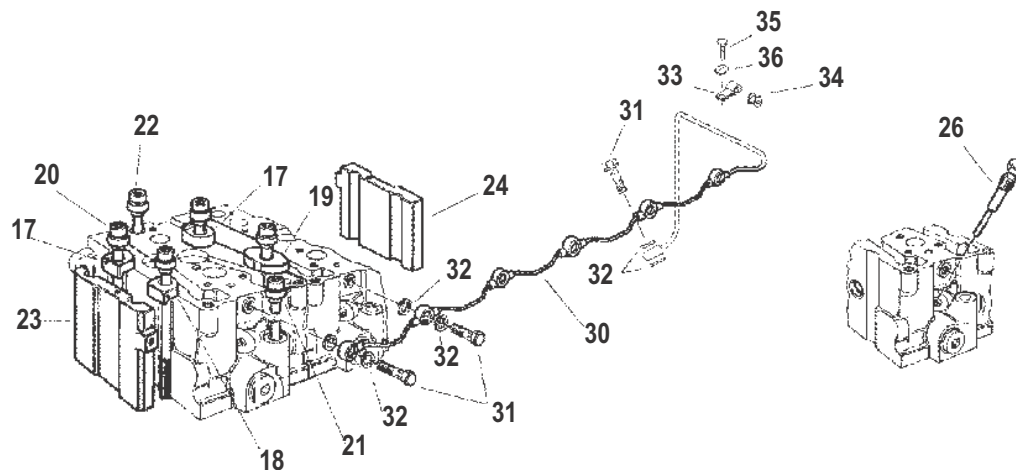
12765

CYLINDER HEAD

Ref #	Part Class	Part Number	Description	Comments	Qty	Note
1	0000	889509	CYLINDER HEAD ASSEMBLY		6	[1]
2	0019	889855	PLUG Expansion		12	[1]
3	0016	854069	STUD (M8 x 60)		6	
4	0010	801763377	PLUG		4	
5	0025	809963342	O-RING		6	[2]
6	0000	854070	VALVE GUIDE Standard		12	
7	0000	801331752	PLATE Spring		12	
8	0024	811388	SPRING		12	
9	0026	854068	SEAL Oil		12	
10	0000	801331754	CAP Spring		12	
11	0000	801331755	KEEPER Valve		24	
12	0000	854071	SEAT (INTAKE)		6	
13	0000	854072	SEAT (EXHAUST)		6	
14	0000	854073	VALVE		6	
15	0000	854074	VALVE Exhaust		6	
16	0016	854075	STUD (M8 x 35)		12	
17	0000	801331671	BRIDGE		7	
18	0000	801331673	BRIDGE		2	
19	0000	801331674	BRIDGE		5	
20	0010	806685	BOLT (M14 x 149.5) Center		14	
21	0010	806686	BOLT (M12 x 94.5) Injector Side		6	
22	0010	806687	BOLT (M12 x 127.5) Manifold Side		6	
23	0023	881746	SPACER		1	
24	0023	881746	SPACER		1	
25	0027	877376	GASKET (1.42 mm)	(Front Gasket)	1	
25	0027	879678	GASKET (1.52 mm)	(Front Gasket)	OPT	
25	0027	879679	GASKET (1.62 mm)	(Front Gasket)	OPT	
25	0027	877377	GASKET (1.42 mm)	(Rear Gasket)	1	
25	0027	879680	GASKET (1.52 mm)	(Rear Gasket)	OPT	
25	0027	879681	GASKET (1.62 mm)	(Rear Gasket)	OPT	
26	0019	854080	PLUG Glow		6	
26	0033	802737	GLOW PLUG KIT		OPT	
27	0022	880819	ADAPTER	(SINGLE STATION TEMP SENDER)	1	
27	0022	52382	BUSHING	(DUAL STATION TEMP SENDER)	1	
27	0022	884000	ADAPTER	(ECT SENSOR)	1	
28	0025	809963129	WASHER	(WATER TEMPERATURE SENDER)	1	[2]
28	0025	809963129	WASHER	(ECT SENSOR)	1	
29	0000	880820	SENDER	(SINGLE STATION)(WATER TEMPERATURE SENDER)	1	
29	0000	49734	SENDER	(DUAL STATION)(WATER TEMPERATURE SENDER)	1	
29	0087	854081	SENSOR Engine Coolant Temperature	(ECT SENSOR)	1	
30	0032	889856	LINE Oil		1	[1]

CYLINDER HEAD

CYLINDER HEAD



12765

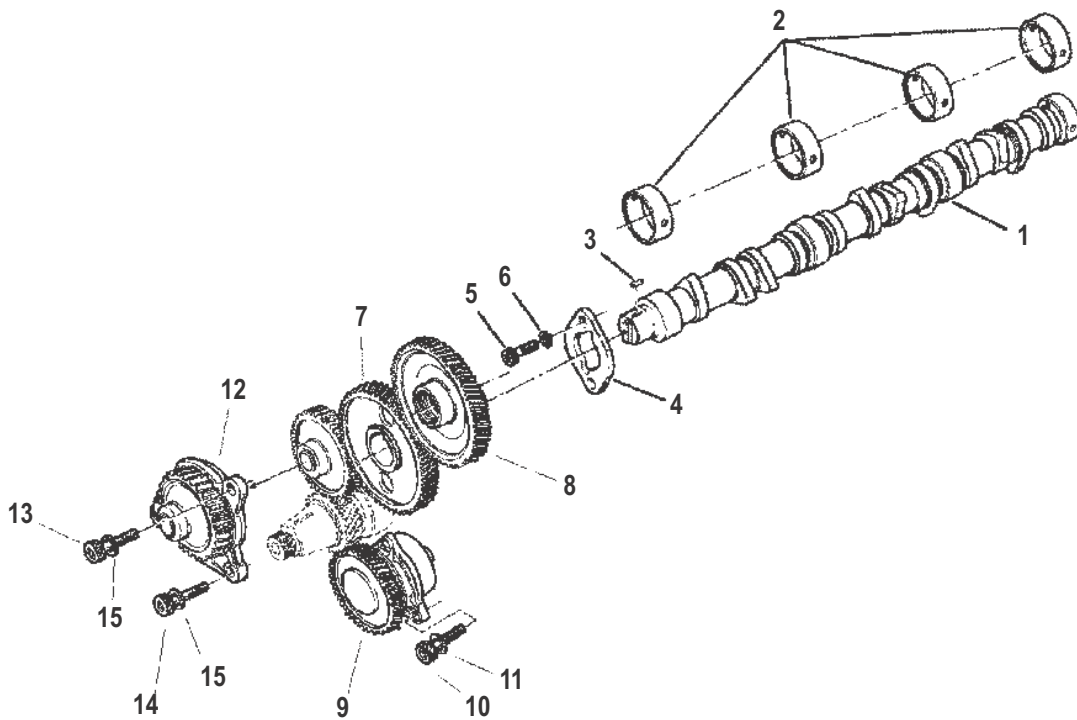
CYLINDER HEAD

Ref #	Part Class	Part Number	Description	Comments	Qty	Note
31	0010	811394	BOLT Banjo		7	
32	0025	809963042	O-RING		7	[2]
33	0054	801333424	CLIP		1	
34	0025	855459	SLEEVE		1	
35	0010	809913218	SCREW (M5 x 10)		1	
36	0012	809931036	WASHER		1	
-	0027	881742	GASKET SET Overhaul		1	

PART NOTES:

- [1] - PART IS NEW AND LISTED FOR THE FIRST TIME
 [2] - COMPONENT OF OVERHAUL GASKET SET 881742

CAMSHAFT

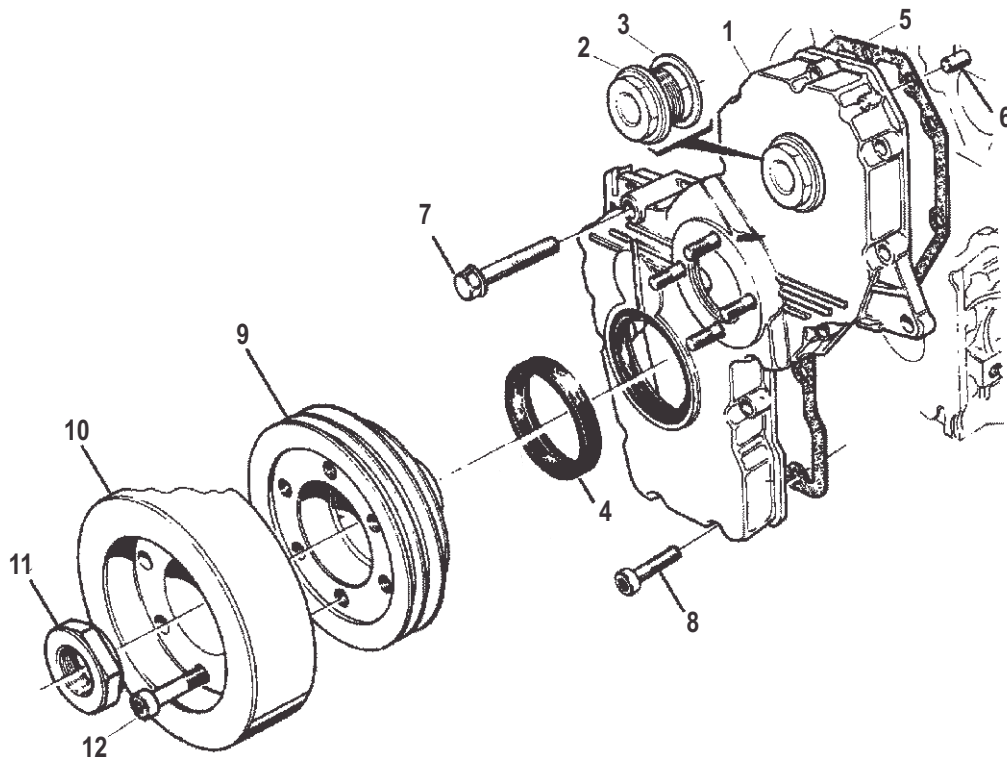


12766

CAMSHAFT

Ref #	Part Class	Part Number	Description	Comments	Qty	Note
1	0487	854084	CAMSHAFT		1	
2	0023	855461	BUSHING Standard		4	
2	0023	801333864	BUSHING (25 mm)		AR	
3	0028	801331735	KEY		1	
4	0000	801331733	PLATE Cam Guide		1	
5	0010	809919935	SCREW (M8 x 18)		2	
6	0013	811384	LOCKWASHER (M8)		2	
7	0043	854085	GEAR		1	
8	0043	879698	GEAR		1	
9	0000	854087	PUMP Oil		1	
10	0010	809919935	SCREW (M8 x 18)		3	
11	0013	811460	LOCKWASHER		3	
12	0043	854088	GEAR ASSEMBLY		1	
13	0010	811415	SCREW		1	
14	0010	809919935	SCREW (M8 x 18)		2	
15	0013	811460	LOCKWASHER		3	

FRONT COVER



12767

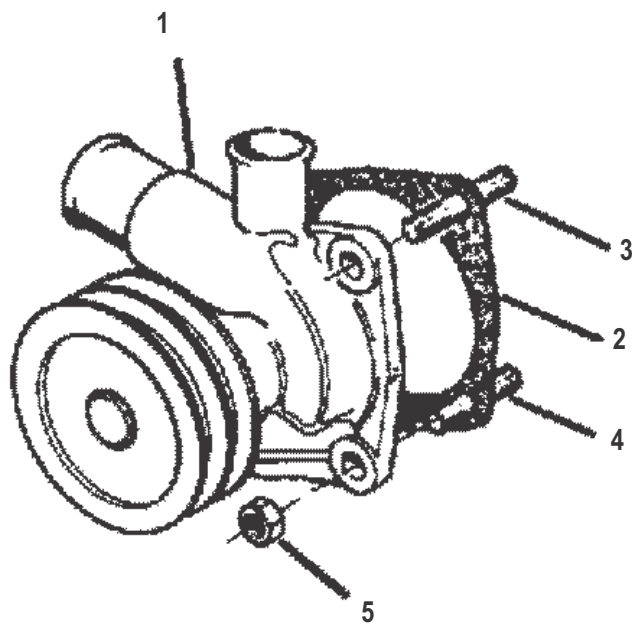
FRONT COVER

Ref #	Part Class	Part Number	Description	Comments	Qty	Note
1	0000	854095	COVER ASSEMBLY		1	
2	0000	854097	COVER		1	
3	0012	854098	WASHER		1	[1]
4	0026	881789	SEAL		1	
5	0027	854096	GASKET		1	[1]
6	0017	801331212	PIN		2	
7	0010	855465	SCREW (M8 x 60)		1	
8	0010	811422	SCREW (M6 x 35)		13	
9	0000	889866	PULLEY		1	[2]
10	0000	809590	VIBRATION DAMPER		1	
11	0011	889867	NUT		1	[2]
12	0010	811423	SCREW (M10 x 45)		6	
-	0027	881742	GASKET SET Overhaul		1	

PART NOTES:

- [1] - COMPONENT OF OVERHAUL GASKET SET 881742
 [2] - PART IS NEW AND LISTED FOR THE FIRST TIME

WATER PUMP



12768

Cat.# 90-889339

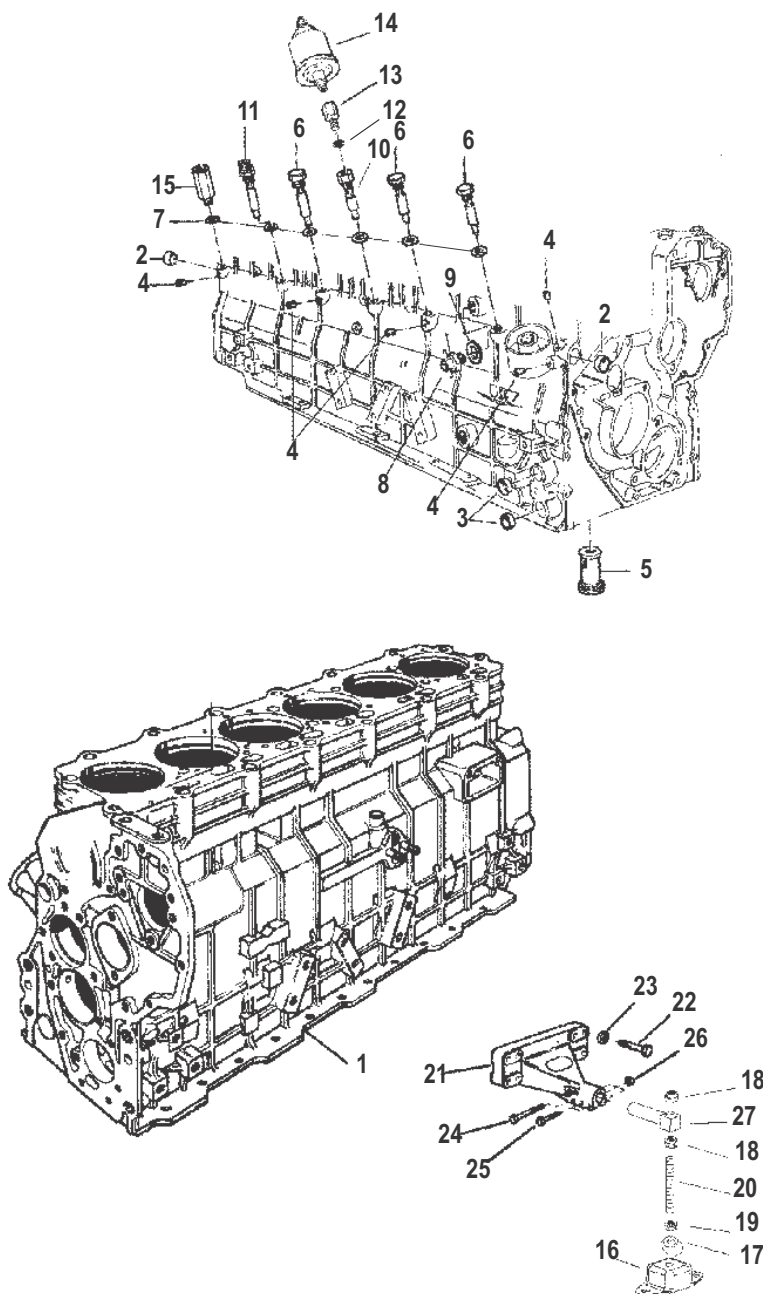
WATER PUMP

Ref #	Part Class	Part Number	Description	Comments	Qty	Note
1	0000	854179	PUMP		1	
2	0027	889019	GASKET		1	[1]
3	0016	811472	STUD (M8 x 55)		2	
4	0016	854156	STUD (M8 x 25)		2	
5	0011	854037	NUT (M8)		4	
-	0027	881742	GASKET SET Overhaul		1	

PART NOTES:

[1] - COMPONENT OF OVERHAUL GASKET SET 881742

ENGINE/CYLINDER BLOCK



12769

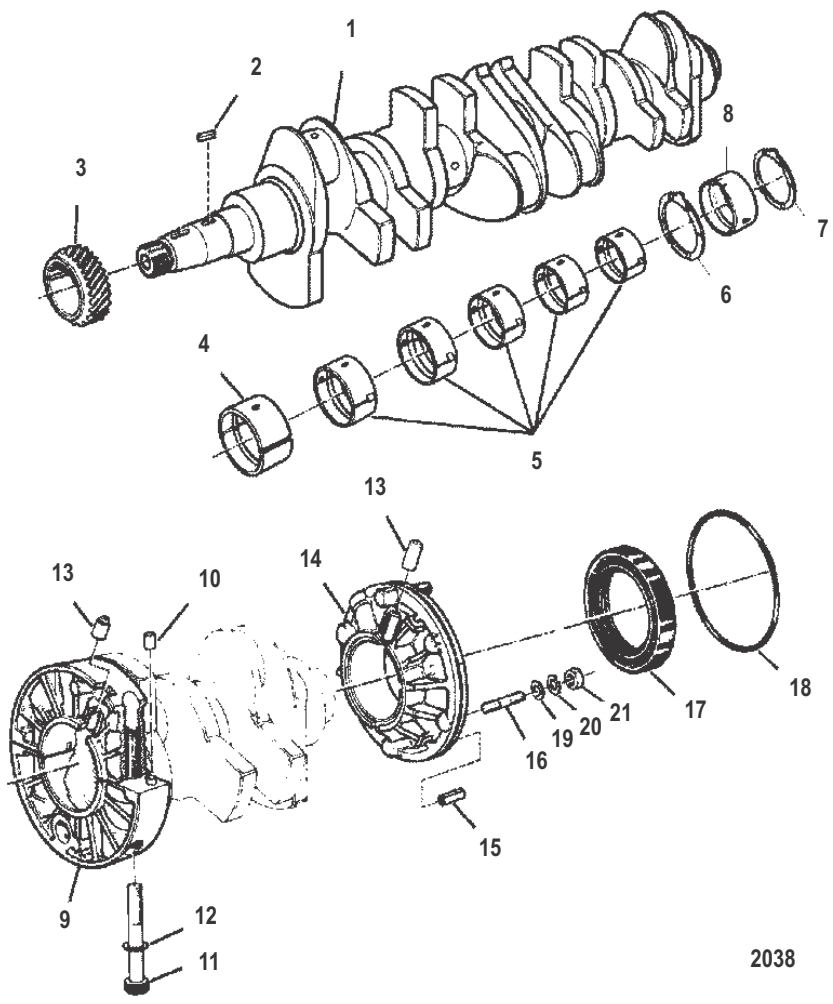
ENGINE/CYLINDER BLOCK

Ref #	Part Class	Part Number	Description	Comments	Qty	Note
1	0889	889505	CYLINDER BLOCK		1	[1]
2	0019	801331602	PLUG Expansion		2	
3	0019	809937241	PLUG		2	
4	0010	811431	SET SCREW (M6 x 3)		5	
5	0000	854041	VALVE Oil Pressure		1	
6	0010	801331650	SCREW Locating		3	
7	0012	809963201	WASHER		6	[2]
8	0022	801331684	FITTING Drain		1	
9	0022	811428	SLEEVE		1	
10	0022	801763388	CONNECTOR		1	
11	0010	801331651	SCREW		1	
12	0012	809963072	WASHER		1	[2]
13	0022	806443	ADAPTER		1	
14	0000	805267T	SENDER Oil Pressure	(SINGLE STATION)	1	
14	0000	805268	SENDER	(DUAL STATION)	1	
15	0022	855463	ADAPTER		1	
16	0000	855381	MOUNT Engine		2	
17	0012	809931094	WASHER		2	
18	0011	809922457	NUT (M16)		4	
19	0011	809921102	NUT (M16)		2	
20	0016	801763908	STUD (M16 x 125)		2	
21	0000	801761382	BRACKET		2	
22	0010	854044	SCREW (M10 x 45)		6	
22	0010	40001209	SCREW (M10 x 60)		2	
23	0013	809931076	LOCKWASHER		2	
24	0010	809912516	SCREW (M8 x 50)		4	
25	0010	801761617	SCREW		2	
26	0011	815088	NUT (M8)		4	
27	0000	855382	PIN		2	
-	0027	881742	GASKET SET Overhaul		1	
-	0000	891867	LONGBLOCK ASSEMBLY (300 HP)	(INCLUDES INTERNAL PARTS AND CYLINDER HEADS)	1	

PART NOTES:

- [1] - PART IS NEW AND LISTED FOR THE FIRST TIME
 [2] - COMPONENT OF OVERHAUL GASKET SET 881742

CRANKSHAFT



CRANKSHAFT

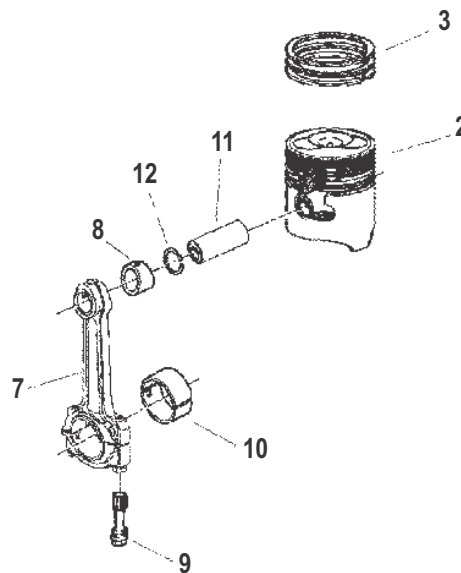
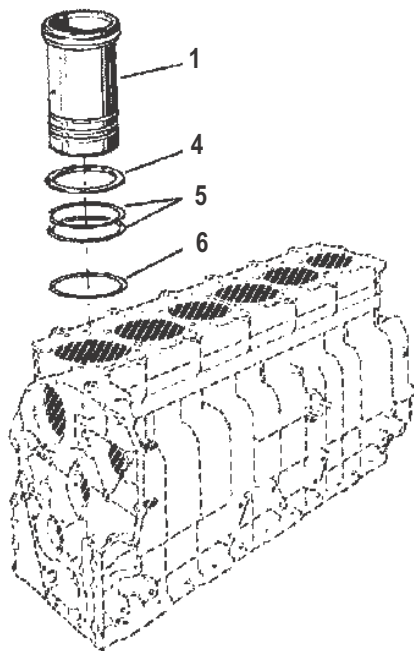
CRANKSHAFT

Ref #	Part Class	Part Number	Description	Comments	Qty	Note
1	0486	889864	CRANKSHAFT		1	[1]
2	0028	801331642	KEY		1	
3	0043	889865	GEAR		1	[1]
4	0023	811376	BEARING Standard		1	
4	0023	811377	BEARING (25 mm)		AR	
4	0023	811378	BEARING (50 mm)		AR	
5	0023	801331631	BEARING Standard		4	
5	0023	801331632	BEARING (25 mm)		AR	
5	0023	801331633	BEARING (50 mm)		AR	
6	0000	803621	BEARING Standard Front Thrust		1	
6	0023	884006	BEARING (.10 mm) Front Thrust		AR	
6	0023	884007	BEARING (.20 mm) Front Thrust		AR	
7	0012	803622	WASHER		1	
8	0023	884023	BEARING Standard		1	
8	0023	884024	BEARING (.25 mm)		AR	
8	0023	884025	BEARING (.50 mm)		AR	
9	0000	811379	FLANGE ASSEMBLY		5	
10	0017	801331647	PIN		10	
11	0010	811382	SCREW (M10 x 90)		10	
12	0013	809932110	LOCKWASHER		10	
13	0000	854093	NOZZLE		6	
14	0000	884026	FLANGE ASSEMBLY		1	
15	0017	809941485	PIN		1	
16	0016	811383	STUD (M8 x 20)		6	
17	0026	884027	SEAL		1	
18	0025	801331654	O-RING		1	[2]
19	0012	4002217	WASHER		6	
20	0013	811384	LOCKWASHER (M8)		6	
21	0011	854037	NUT (M8)		6	
-	0027	881742	GASKET SET Overhaul		1	

PART NOTES:

- [1] - PART IS NEW AND LISTED FOR THE FIRST TIME
 [2] - COMPONENT OF OVERHAUL GASKET SET 881742

CONNECTING ROD AND PISTON



12771

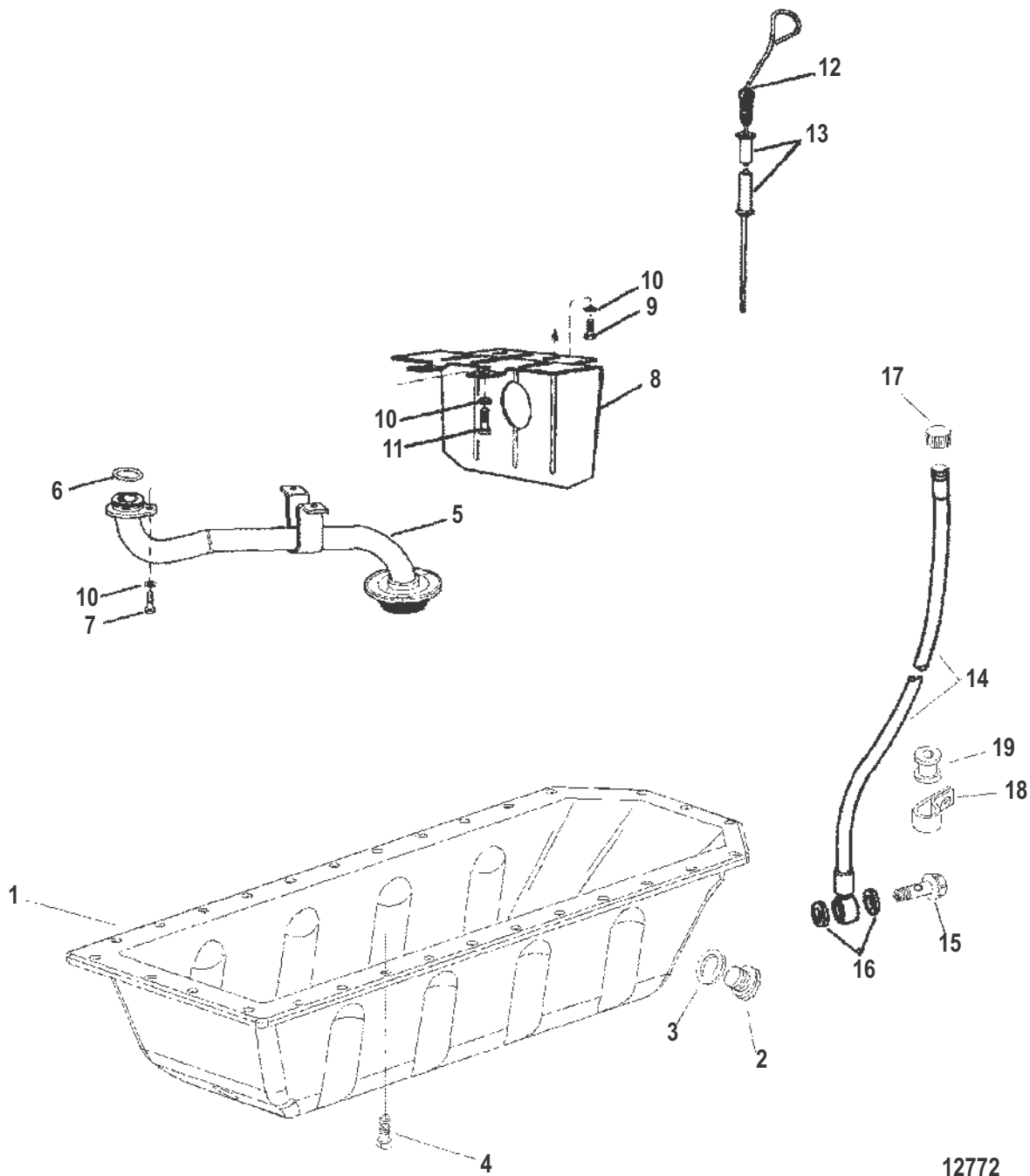
CONNECTING ROD AND PISTON

Ref #	Part Class	Part Number	Description	Comments	Qty	Note
-	0051	891726	LINER KIT With Piston		6	[1]
1	0051	889857	CYLINDER LINER		6	[1]
2	0795	891727	PISTON With Rings and Pin		6	[1]
3	0039	889859	RING SET Piston		6	[1]
4	0015	801331607	SHIM (15 mm)		AR	[2]
4	0015	801331608	SHIM (20 mm)		AR	[2]
4	0015	801763362	SHIM (23 mm)		AR	[2]
5	0025	817728	O-RING		12	[2]
6	0025	817729	O-RING		6	[2]
7	0641	889860	CONNECTING ROD ASSEMBLY		6	[1]
8	0023	854090	BUSHING		6	
9	0010	889861	BOLT		12	[1]
10	0000	801331715	BEARING Standard		6	
10	0000	801331716	BEARING (25 mm)		AR	
10	0000	801331717	BEARING (50 mm)		AR	
11	0041	889862	PIN		6	[1]
12	0040	889863	RING		12	[1]
-	0027	881742	GASKET SET Overhaul		1	

PART NOTES:

- [1] - PART IS NEW AND LISTED FOR THE FIRST TIME
 [2] - COMPONENT OF OVERHAUL GASKET SET 881742

OIL PAN



12772

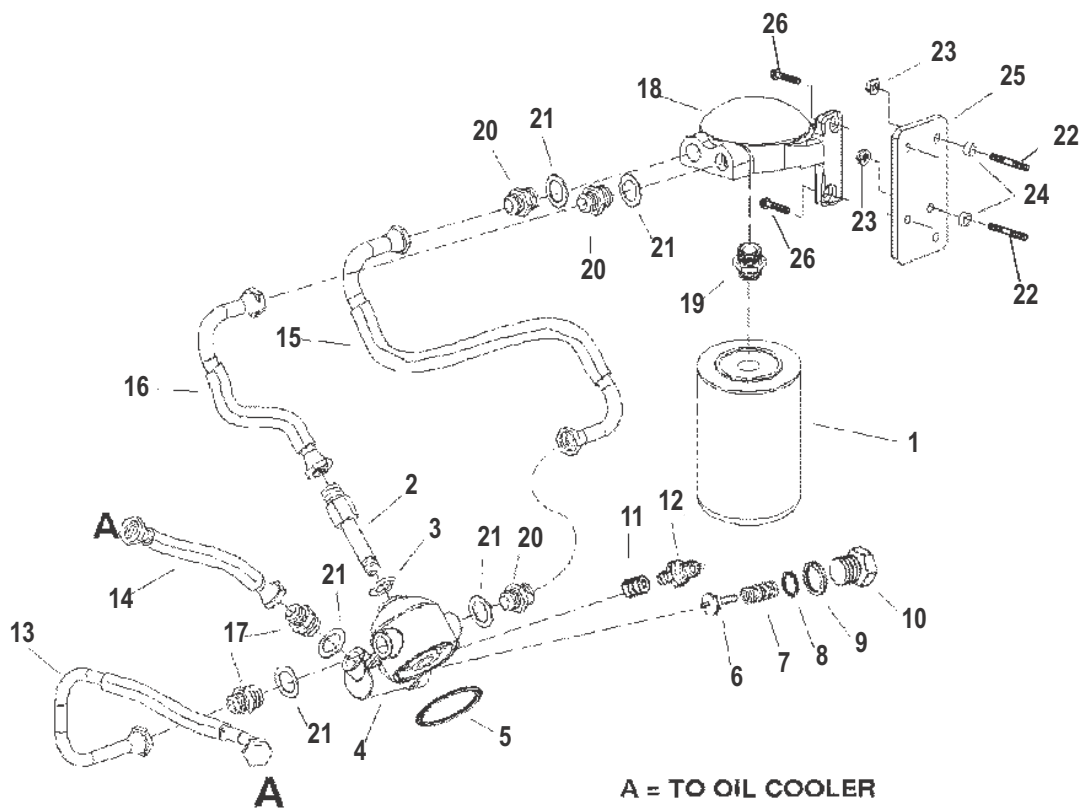
OIL PAN

Ref #	Part Class	Part Number	Description	Comments	Qty	Note
1	0000	854110	PAN Oil		1	
NS	0092	809825	RTV SILICONE (3 Ounce Tube) Metallic Blue		1	
2	0010	809919131	SCREW (M22 x 1.5)		2	
3	0012	809963354	WASHER		2	[1]
4	0010	855473	SCREW (M6 x 12)		29	
5	0000	816554	TUBE		1	
6	0025	801333415	O-RING		1	[1]
7	0010	809913466	SCREW (M6 x 16)		1	
8	0000	854112	DEFLECTOR		1	
9	0010	854113	SCREW (M6 x 14)		2	
10	0012	809931044	WASHER		5	
11	0010	809913466	SCREW (M6 x 16)		2	
12	0000	854114	DIPSTICK		1	
13	0000	854115	TUBE		1	
14	0032	807226	HOSE		1	
15	0010	811410	SCREW (M14) (M14 X 1.5)		1	
16	0012	809963201	WASHER		2	[1]
17	0000	807011	CAP		1	
18	0054	811467	CLIP		1	
19	0025	854052	SLEEVE		1	
-	0027	881742	GASKET SET Overhaul		1	

PART NOTES:

[1] - COMPONENT OF OVERHAUL GASKET SET 881742

Oil Filter and Oil Hoses

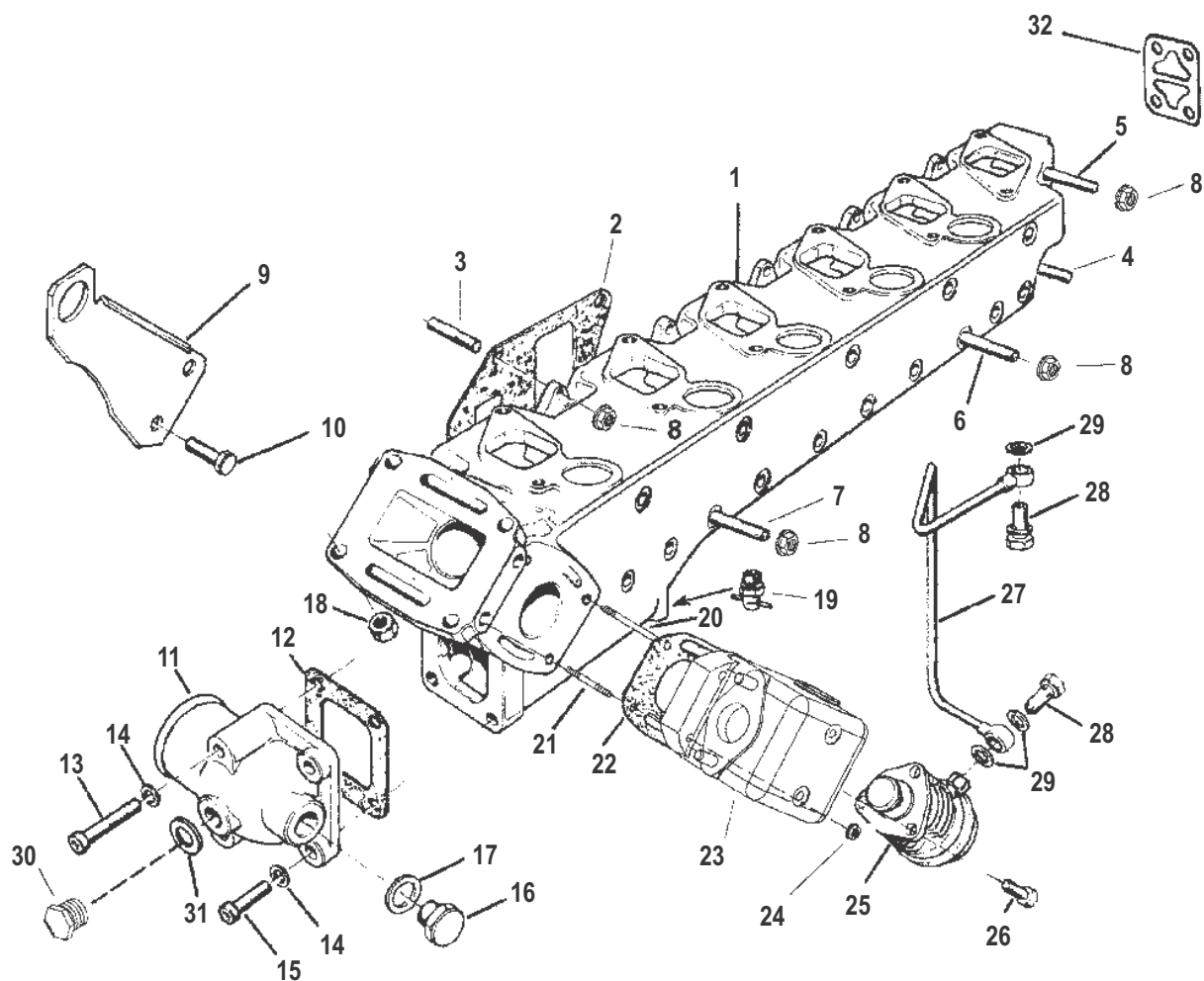


12808

Oil Filter and Oil Hoses

Ref #	Part Class	Part Number	Description	Comments	Qty	Note
1	0035	19485	FILTER		1	
2	0022	854145	FITTING		1	
3	0025	809963342	O-RING		1	
4	0000	854146	ADAPTER Oil Filter Thermostat		1	
5	0025	805732	O-RING (2.612 x .103)		1	
6	0000	816163	THERMOSTAT Oil		1	
7	0024	816162	SPRING		1	
8	0000	809963467	SEAL		1	
9	0025	98277	SEAL		1	
10	0022	8069481	PLUG		1	
11	0022	64013	FITTING (.375 Male To .125 Female)		1	
12	0087	817169	SWITCH Alarm		1	
13	0032	855487	HOSE Return		1	
14	0032	855488	HOSE Oil Delivery		1	
15	0032	854149	HOSE Oil		1	
16	0032	854150	HOSE Oil		1	
17	0022	854151	FITTING (M18)		2	
18	0000	854152	HEADER Oil Filter		1	
19	0022	854153	FITTING		1	
20	0022	854154	FITTING (M22)		3	
21	0012	809963354	WASHER		5	
22	0016	854156	STUD (M8 x 25)		2	
23	0011	854037	NUT (M8)		2	
24	0023	854157	SPACER		2	
25	0000	854158	PLATE Mounting		1	
26	0010	854155	SCREW (M10 x 30)		2	

EXHAUST MANIFOLD



30392

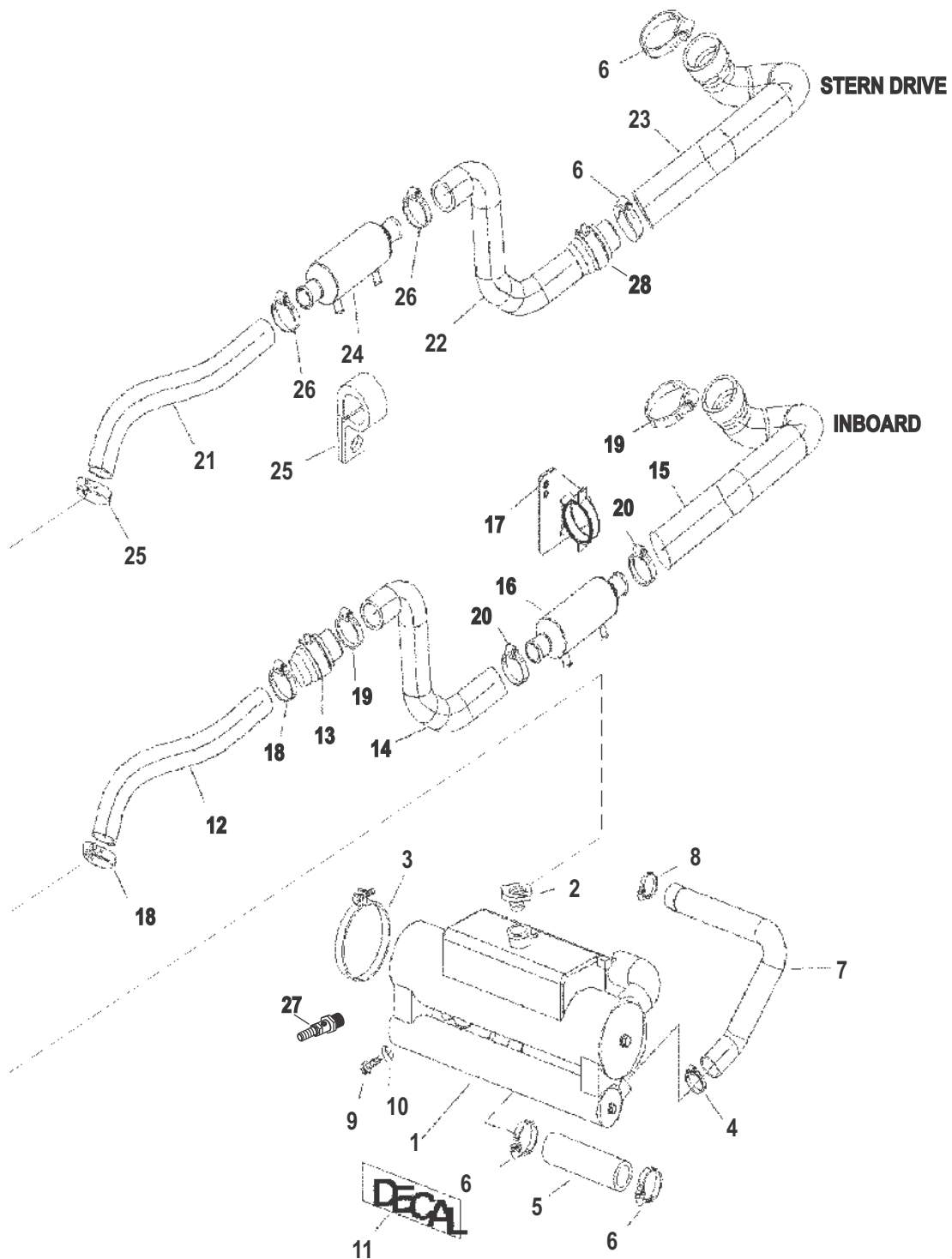
EXHAUST MANIFOLD

Ref #	Part Class	Part Number	Description	Comments	Qty	Note
1	0000	889877	MANIFOLD		1	[1]
2	0027	854117	GASKET Exhaust Manifold		6	[2]
3	0016	811383	STUD (M8 x 20)		6	
4	0016	801763451	STUD (M8 x 70)		1	
5	0016	801333451	STUD (M8 x 90)		1	
6	0016	806678	STUD (M8 x 150)		13	
7	0016	801333448	STUD (M8 x 140)		3	
8	0011	854037	NUT (M8)		24	
9	0000	889878	LIFTING EYE		1	[1]
10	0010	854118	SCREW (M8 x 20)		2	
11	0000	854119	COVER		1	
12	0027	854120	GASKET		1	[3]
13	0010	854121	SCREW (M6 x 60)		2	
14	0012	811450	WASHER		4	
15	0010	809919926	SCREW (M6 x 25)		2	
16	0010	809919131	SCREW (M22 x 1.5)		1	
17	0012	809963354	WASHER		1	
18	0011	854122	NUT (M10)		4	
19	0022	801331684	FITTING Drain		1	
20	0016	854123	STUD (M6)		2	
21	0016	854124	STUD (M6 x 25)		2	
22	0027	879720	GASKET		1	[3]
23	0000	889918	WASTEGATE		1	[1]
24	0011	854032	NUT (M6)		4	
25	0000	889879	VALVE		1	[1]
26	0010	809919621	SCREW		3	
27	0032	811444	LINE		1	
28	0010	801761165	BOLT Banjo (M8 x 1.00)		2	
29	0025	809963042	O-RING		4	[3]
30	0010	809919114	PLUG		1	
31	0012	809963201	WASHER		1	[3]
32	0027	854127	GASKET		1	[3]
-	0027	881742	GASKET SET Overhaul		1	
-	0027	881743	GASKET SET Cylinder Head		1	

PART NOTES:

- [1] - PART IS NEW AND LISTED FOR THE FIRST TIME
 [2] - COMPONENT OF OVERHAUL GASKET SET 881742
 COMPONENT OF CYLINDER HEAD GASKET SET881743
 [3] - COMPONENT OF OVERHAUL GASKET SET 881742

HEAT EXCHANGER AND HOSES



54473

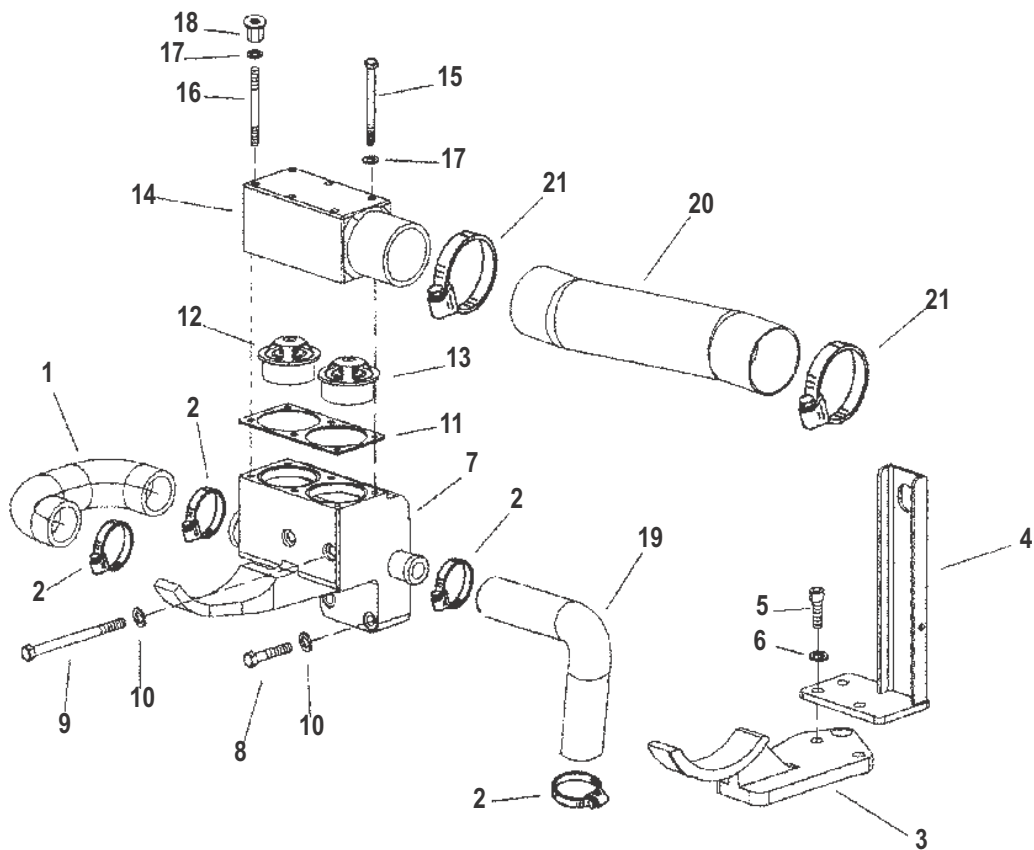
HEAT EXCHANGER AND HOSES

Ref #	Part Class	Part Number	Description	Comments	Qty	Note
1	0000	807261	HEAT EXCHANGER		1	
2	0036	808108	CAP		1	
-	0097	806000	ANODE		1	
-	0010	88743	SCREW (.312-18 x .500)		2	
-	0000	806002A1	END CAP ASSEMBLY		2	
-	0027	806882	GASKET		2	
-	0010	846109	SCREW (.375-16 x .875)		2	
-	0000	860319A1	END COVER		2	
-	0027	806883	GASKET		2	
3	0054	855491	CLAMP		2	
4	0054	815504220	CLAMP Worm Gear		1	
5	0032	805743	HOSE		1	
6	0054	815504232	CLAMP Worm Gear (2.50 Diameter)		2	
7	0032	805740	HOSE		1	
8	0054	815504228	CLAMP Worm Gear		1	
9	0010	809919131	SCREW (M22 x 1.5)		1	
10	0012	809963354	WASHER		1	[1]
11		8614571	DECAL		1	
12	0032	855495	HOSE	(INBOARD)	1	
13	0000	855498	INSERT	(INBOARD)	1	
14	0032	855494	HOSE	(INBOARD)	1	
15	0032	855496	HOSE	(INBOARD)	1	
16	0000	855497	COOLER	(INBOARD)	1	
17	0054	855499	CLAMP ASSEMBLY (4.2L)	(INBOARD)	1	
18	0054	815504222	CLAMP Worm Gear (1.98 Diameter)	(INBOARD)	2	
19	0054	815504224	CLAMP Worm Gear	(INBOARD)	2	
20	0054	815504336	CLAMP Worm Gear	(INBOARD)	2	
21	0032	1743565	HOSE (38.00 Inches Bulk)	(STERN DRIVE)	1	
22	0032	807423	HOSE	(STERN DRIVE)	1	
23	0032	807001	HOSE	(STERN DRIVE)	1	
24	0000	99356A2	COOLER ASSEMBLY	(STERN DRIVE)	1	
25	0054	18904	CLIP	(STERN DRIVE)	2	
26	0054	815504220	CLAMP Worm Gear	(STERN DRIVE)	4	
27	0000	889074A1	VALVE		1	
28	0032	896332092	HOSE Adapter		1	
-	0027	881742	GASKET SET Overhaul		1	

PART NOTES:

[1] - COMPONENT OF OVERHAUL GASKET SET 881742

THERMOSTAT ASSEMBLY AND HOSES



12819

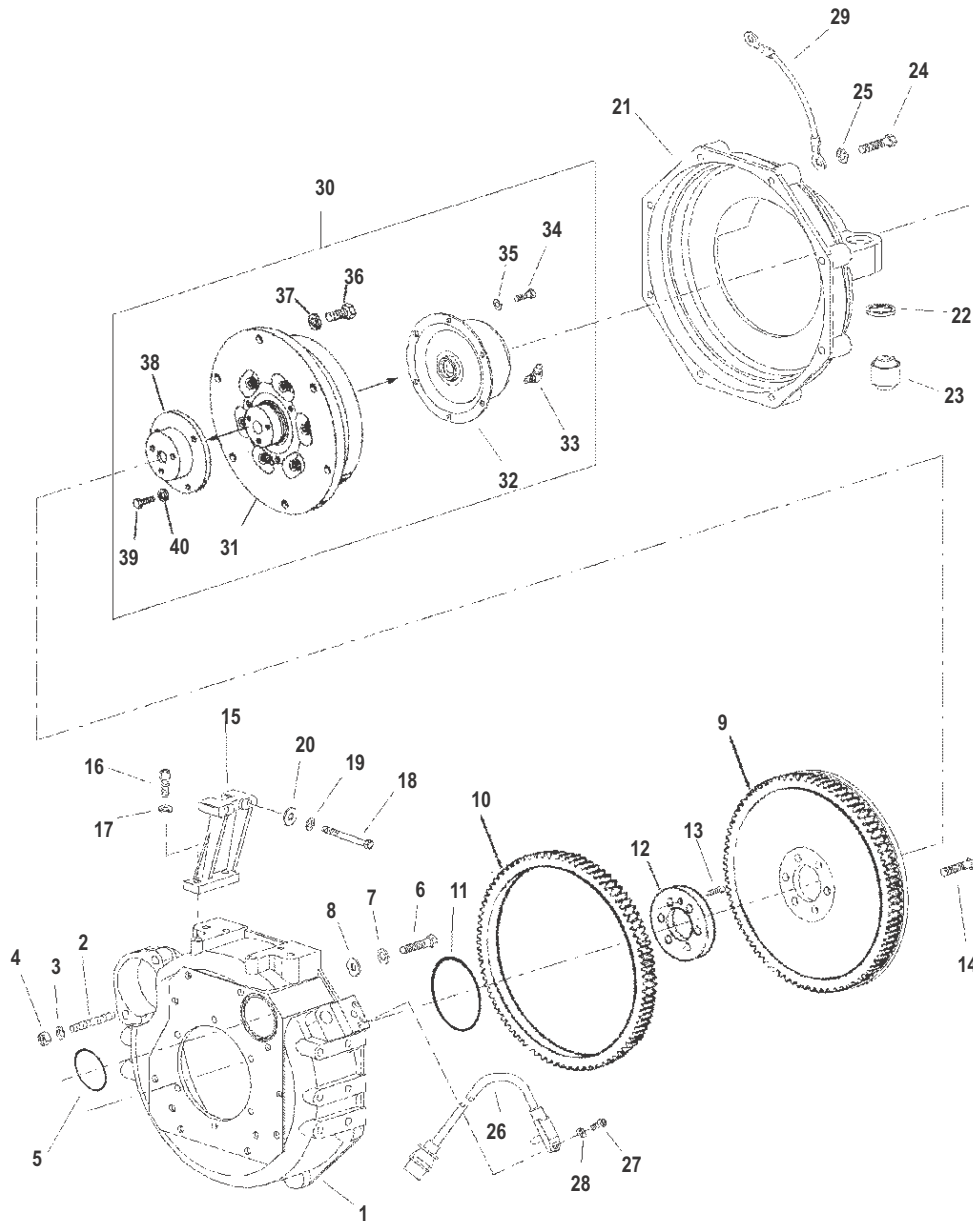
THERMOSTAT ASSEMBLY AND HOSES

Ref #	Part Class	Part Number	Description	Comments	Qty	Note
1	0032	805741	HOSE		1	
2	0054	815504220	CLAMP Worm Gear		4	
3	0000	854164	BRACKET		1	
4	0000	854165	LIFTING EYE		1	
5	0010	854166	SCREW (M10 x 35)		3	
6	0013	400248	LOCKWASHER (M10)		3	
7	0000	805681	HOUSING		1	
8	0010	4000359	SCREW (M8 x 60)		2	
9	0010	4000363	SCREW (M8 x 100)		2	
10	0013	400257	LOCKWASHER (M8)		4	
11	0027	805723	GASKET		1	[1]
12	0000	805947T	THERMOSTAT 71°C (160°F)		1	
13	0000	805948	THERMOSTAT 82°C (180°F)		1	
14	0000	854168	COVER		1	
15	0010	4009238	SCREW (M6 x 80)		5	
16	0016	854169	STUD (M6 x 75)		1	
17	0013	400256	LOCKWASHER (M6)		6	
18	0023	854170	SPACER		1	
19	0032	805744	HOSE		1	
20	0032	805739	HOSE		1	
21	0054	815504348	CLAMP Worm Gear		2	
-	0027	881742	GASKET SET Overhaul		1	

PART NOTES:

[1] - COMPONENT OF OVERHAUL GASKET SET 881742

FLYWHEEL HOUSING (STERN DRIVE)



2039

FLYWHEEL HOUSING (STERN DRIVE)

FLYWHEEL HOUSING (STERN DRIVE)

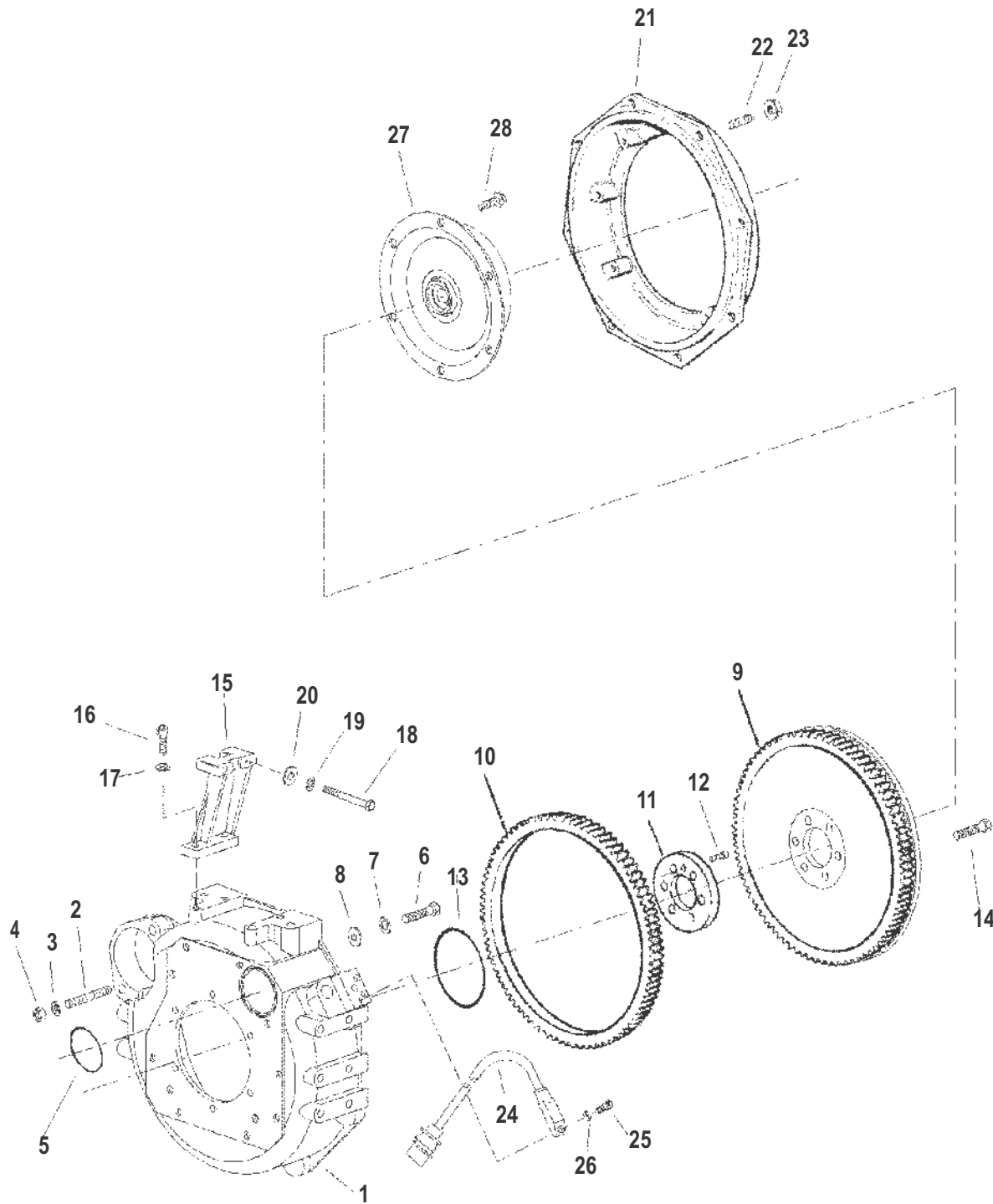
Ref #	Part Class	Part Number	Description	Comments	Qty	Note
1	0000	889871	HOUSING Flywheel		1	[1]
2	0016	809908402	STUD		2	
3	0013	811408	LOCKWASHER		2	
4	0011	811458	NUT		2	
5	0025	801331619	O-RING		1	[2]
6	0010	854106	SCREW (M10 x 25)		9	
7	0013	809932112	LOCKWASHER		9	
8	0012	811459	WASHER		9	
9	0265	889872	FLYWHEEL		1	[1]
10	0043	801331701	RING GEAR		1	
11	0025	811498	O-RING		1	[2]
12	0000	855452	SPACER		1	
13	0010	801331698	SCREW (M4 x 10)		1	
14	0010	879711	SCREW		6	
15	0000	889922	BRACKET		1	[1]
16	0010	811457	SCREW (M10 x 35)		2	
17	0013	809932110	LOCKWASHER		2	
18	0010	811456	SCREW		2	
19	0013	811460	LOCKWASHER		2	
20	0012	811455	WASHER		2	
21	0000	18718A7	HOUSING ASSEMBLY		1	
22	0023	99322	SPACER		2	
23	0000	88791A1	MOUNT KIT Rubber		2	
24	0010	40001206	SCREW (M10 x 50)		7	
25	0013	809931076	LOCKWASHER		7	
26	0087	854109	SENSOR Engine RPM		1	
27	0010	854205	SCREW (M6 x 14)		1	
28	0012	811450	WASHER		1	
29	0084	62826A6	CABLE ASSEMBLY Ground (13.00 Inches) Black		1	
30	0000	18311T10	COUPLING ASSEMBLY	(Hub + 2 stage coupler)	1	
31	0000	805735T6	COUPLING ASSEMBLY	(2 Stage Coupler)	1	
32	0000	805684A2	COUPLING		1	
33	0022	49099	FITTING		2	
34	0010	40001189	SCREW (M10 x 20)		6	
35	0013	400248	LOCKWASHER (M10)		6	
36	0010	889873	SCREW (M10 x 25)		6	[1]
37	0013	400248	LOCKWASHER (M10)		6	
38	0000	805731	COUPLER		1	
39	0010	4000175	SCREW (M6 x 20)		6	
40	0013	26992	LOCKWASHER (.250) Stainless Steel		6	
-	0027	881742	GASKET SET Overhaul		1	

PART NOTES:

- [1] - PART IS NEW AND LISTED FOR THE FIRST TIME
 [2] - COMPONENT OF OVERHAUL GASKET SET 881742

FLYWHEEL HOUSING (STERN DRIVE)

FLYWHEEL HOUSING (INBOARD)



12821

FLYWHEEL HOUSING (INBOARD)

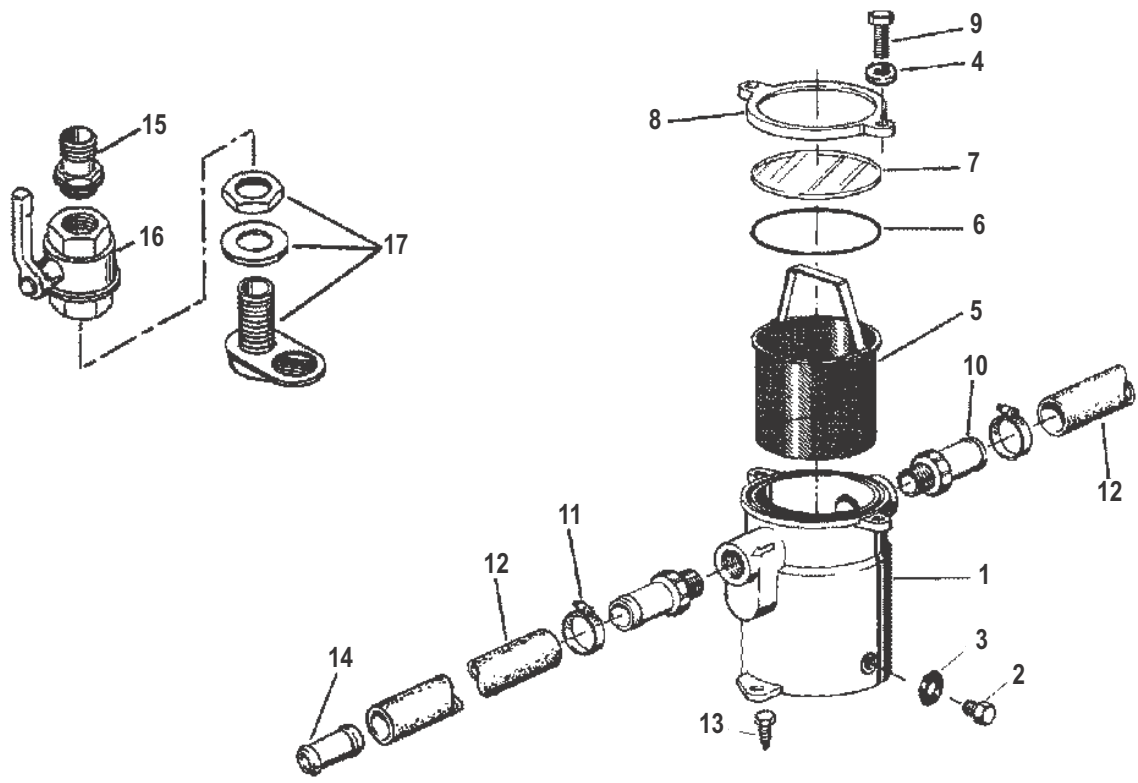
FLYWHEEL HOUSING (INBOARD)

Ref #	Part Class	Part Number	Description	Comments	Qty	Note
1	0000	879710	HOUSING		1	
2	0016	809908402	STUD		2	
3	0013	811408	LOCKWASHER		2	
4	0011	811458	NUT		2	
5	0025	801331619	O-RING		1	[1]
6	0010	854106	SCREW (M10 x 25)		9	
7	0013	809932112	LOCKWASHER		9	
8	0012	811459	WASHER		9	
9	0265	889872	FLYWHEEL		1	[2]
10	0043	801331701	RING GEAR		1	
11	0000	855452	SPACER		1	
12	0010	801331698	SCREW (M4 x 10)		1	
13	0025	811498	O-RING		1	[1]
14	0010	879711	SCREW		6	
15	0000	889875	BRACKET	(UPPER)	1	[2]
15	0000	889876	BRACKET	(LOWER)	1	[2]
16	0010	811457	SCREW (M10 x 35)		2	
17	0013	809932110	LOCKWASHER		2	
18	0010	811456	SCREW		2	
19	0013	811460	LOCKWASHER		2	
20	0012	811455	WASHER		2	
21	0000	881787	HOUSING		1	
22	0016	855471	STUD (M10 x 20)		8	
23	0011	854122	NUT (M10)		8	
24	0087	854109	SENSOR Engine RPM		1	
25	0010	854205	SCREW (M6 x 14)		1	
26	0012	811450	WASHER		1	
27	0000	803610	DRIVEPLATE ASSEMBLY		1	
28	0010	855470	SCREW (M10 x 20)		6	
NS	0016	891728	STUD Grounding		1	[2]
-	0027	881742	GASKET SET Overhaul		1	

PART NOTES:

- [1] - COMPONENT OF OVERHAUL GASKET SET 881742
 [2] - PART IS NEW AND LISTED FOR THE FIRST TIME

SEAWATER FILTER



12822

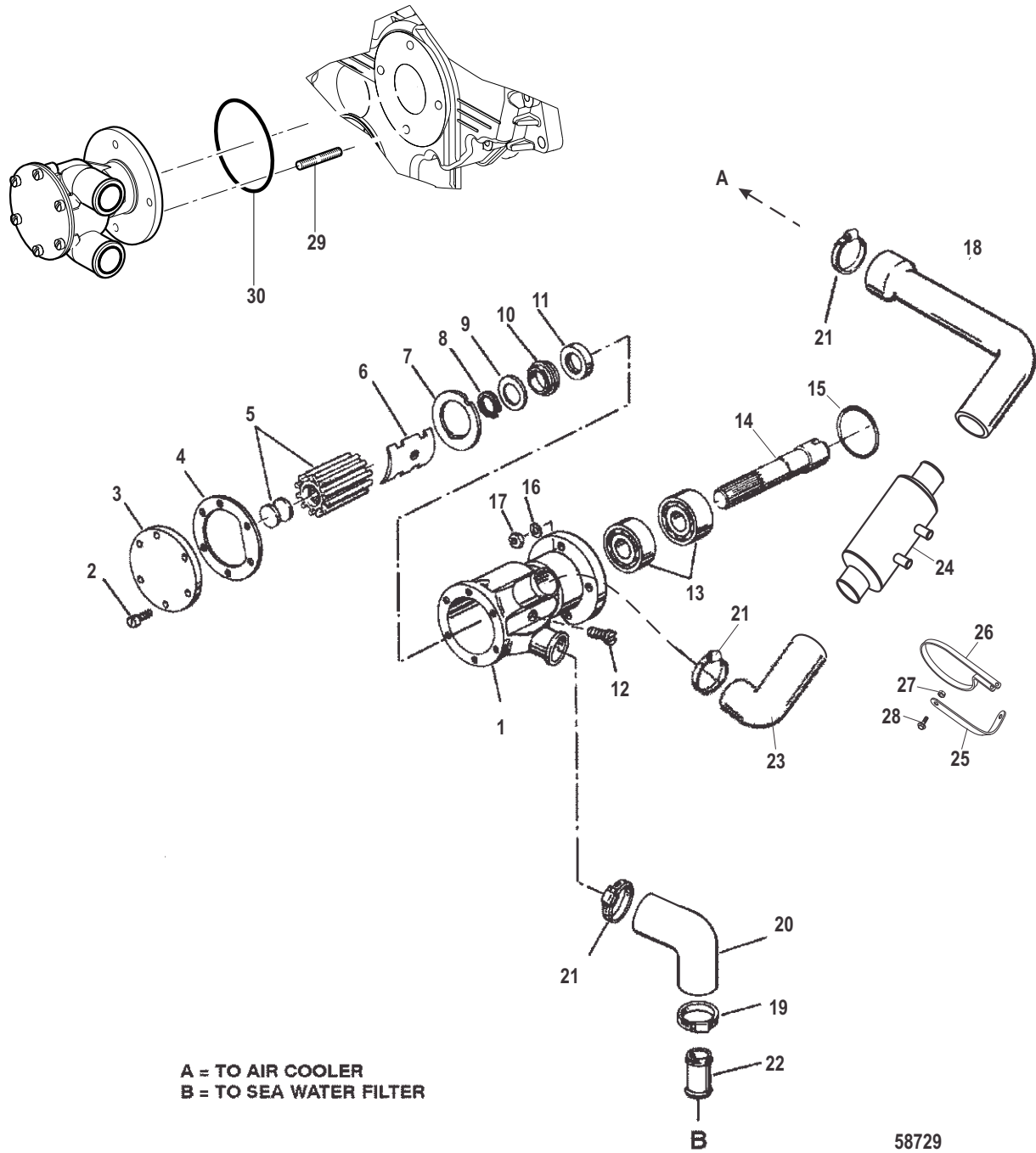
SEAWATER FILTER

Ref #	Part Class	Part Number	Description	Comments	Qty	Note
1	0035	889881	FILTER		1	[1]
2	0010	801763853	PLUG		1	
3	0012	809963201	WASHER		1	
4	0013	809930840	LOCKWASHER		2	
5	0000	801763855	ELEMENT		1	
6	0025	801763856	O-RING		1	
7	0000	801763857	WINDOW		1	
8	0000	881744	COVER		1	
9	0010	801763859	SCREW		2	
10	0022	816339	NOZZLE		2	
11	0054	815504228	CLAMP Worm Gear		4	
12	0032	816172	HOSE		2	
13	0010	85181	BOLT		2	
14	0032	806291	REDUCER		1	
15	0022	818172	CONNECTOR	(INBOARD)	1	
16	0020	818171T	VALVE	(INBOARD)	1	
17	0022	818170T	FITTING	(INBOARD)	1	

PART NOTES:

[1] - PART IS NEW AND LISTED FOR THE FIRST TIME

SEAWATER PUMP



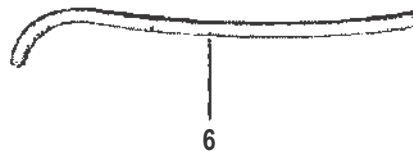
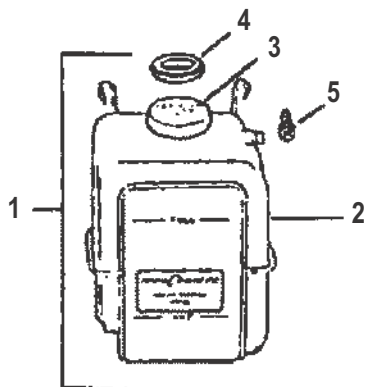
SEAWATER PUMP

Ref #	Part Class	Part Number	Description	Comments	Qty	Note
1	0046	816248	PUMP ASSEMBLY		1	
2	0010	801332608	SCREW		6	
3	0000	801332607	COVER		1	
4	0027	801332606	GASKET		1	
5	0047	816814T	IMPELLER		1	
6	0000	816813	CAM		1	
7	0012	801332601	WEAR PLATE		1	
8	0053	816815	RING		1	
9	0023	816816	SPACER		1	
10	0000	816817	SEAL		1	
11	0026	816818	SEAL		1	
12	0010	801332604	SCREW		1	
13	0030	816819	BEARING		2	
14	0000	816820	SHAFT		1	
15	0025	801333850	O-RING		1	
16	0013	811418	LOCKWASHER		4	
17	0011	811417	NUT		4	
18	0032	889897	HOSE		1	
19	0054	815504220	CLAMP Worm Gear		1	
20	0032	816174A1	HOSE		1	
21	0054	815504232	CLAMP Worm Gear (2.50 Diameter)		3	
22	0032	816173	HOSE Reducer		1	
23	0032	889500	HOSE		1	[1]
24	0000	99356A2	COOLER ASSEMBLY		1	
25	0000	889895	BRACKET Fuel Cooler		1	[1]
26	0054	18904	CLIP		1	
27		NSS	NOT SOLD SEPARATE		1	
28		NSS	NOT SOLD SEPARATE		1	
29	0016	8M0107283	STUD		4	
30	0025	8M0107285	O-RING		1	

PART NOTES:

[1] - PART IS NEW AND LISTED FOR THE FIRST TIME

Coolant Recovery

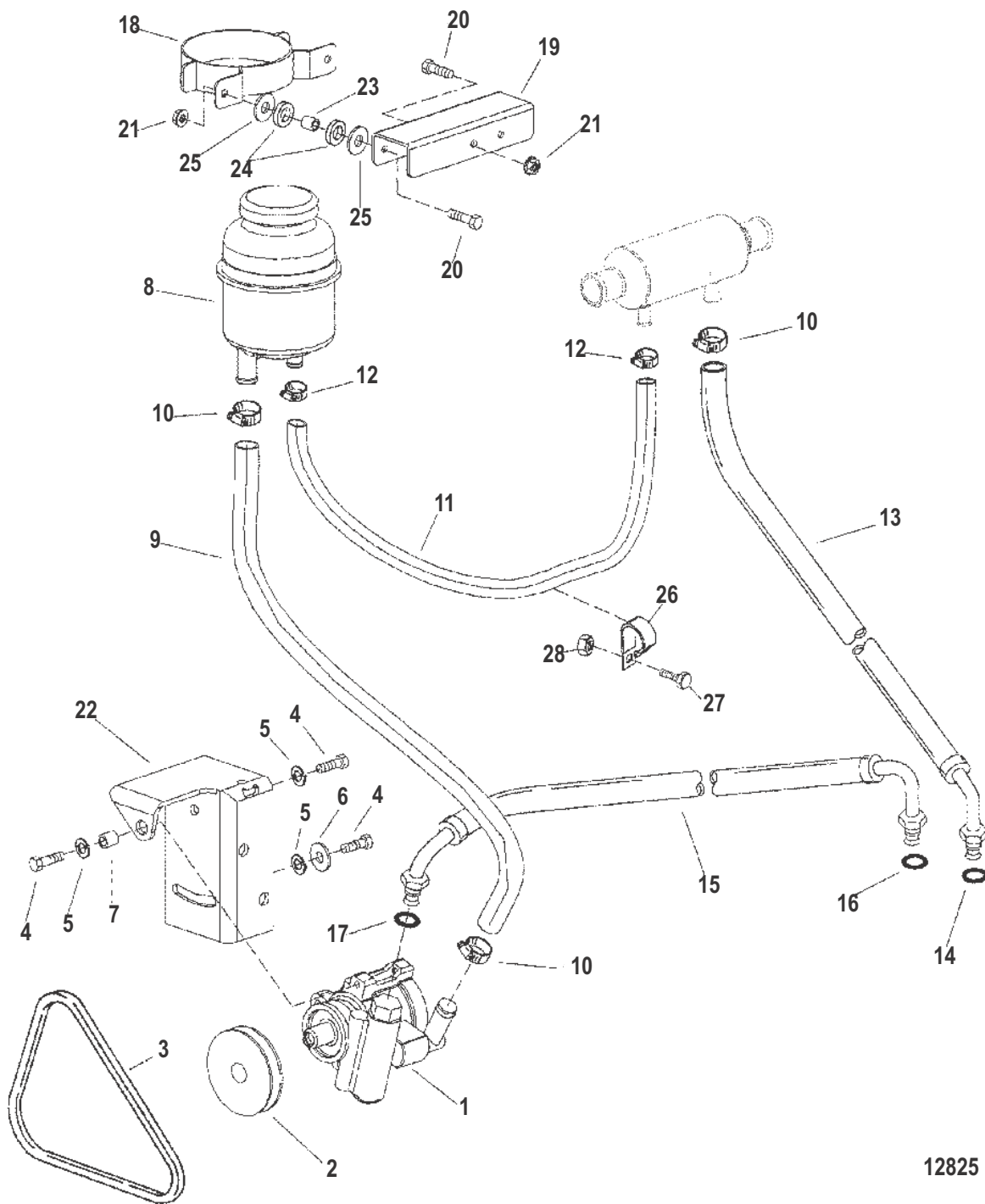


12824

Coolant Recovery

Ref #	Part Class	Part Number	Description	Comments	Qty	Note
1	0000	71587A10	RECOVERY KIT Coolant		1	
2	0000	71587A11	BOTTLE Plastic		1	
3	0000	72058	CAP		1	
4	0027	71614	GASKET		1	
5	0010	85181	BOLT		2	
6	0032	1983389	HOSE		1	

POWER STEERING COMPONENTS (STERN DRIVE)



12825

POWER STEERING COMPONENTS (STERN DRIVE)

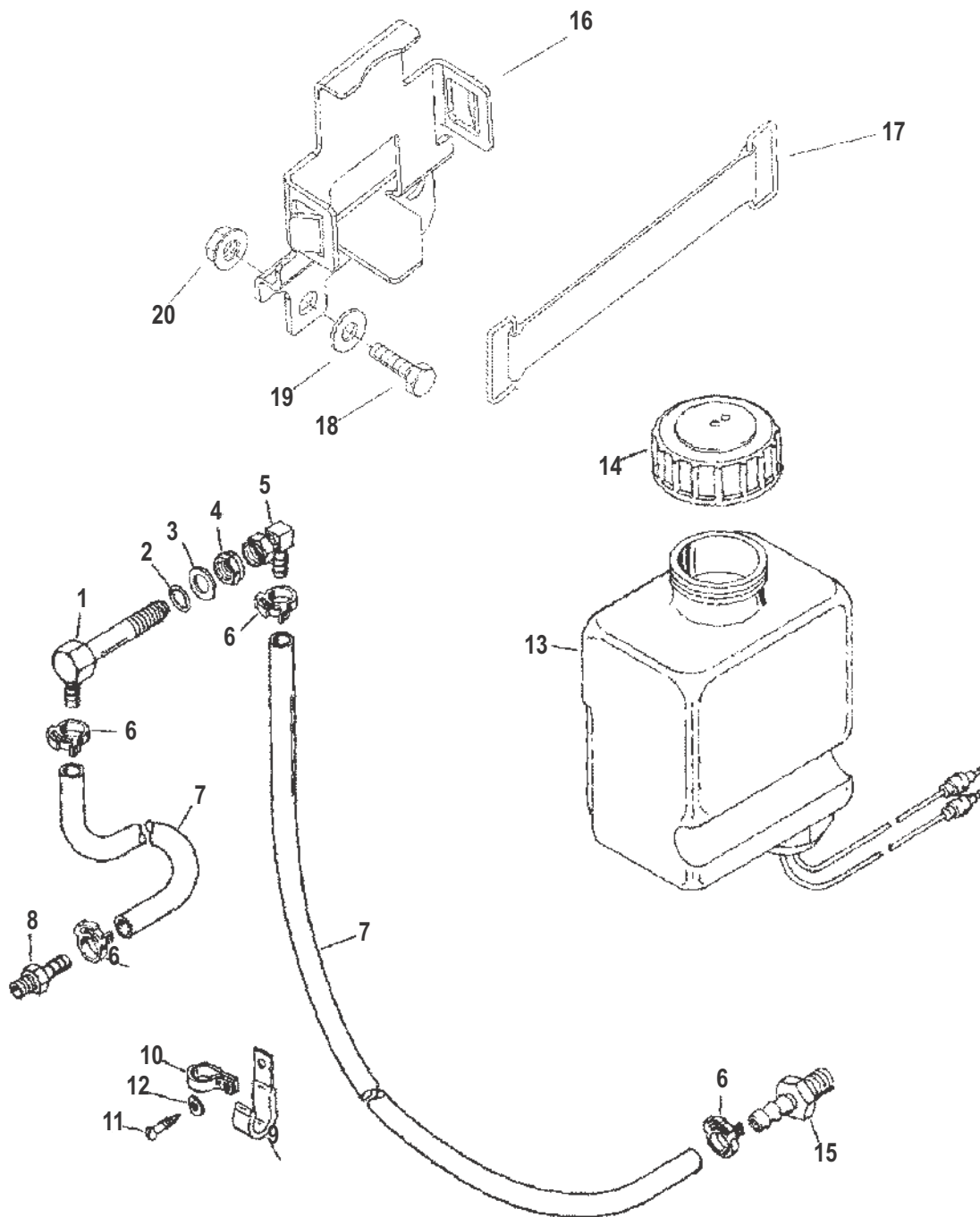
POWER STEERING COMPONENTS (STERN DRIVE)

Ref #	Part Class	Part Number	Description	Comments	Qty	Note
1	0000	18825A2	PUMP ASSEMBLY		1	
2	0000	801763349	PULLEY		1	
3	0057	816177	V BELT		1	
4	0010	809913657	SCREW (M8 x 25)		3	
5	0013	400247	LOCKWASHER (M8)		3	
6	0012	4002318	WASHER		1	
7	0023	12009	BUSHING (.31 x .45 x .50)		1	
8	0000	801124680	TANK Power Steering Oil Reservoir		1	
9	0032	883971	HOSE Power Steering Pump to Reservoir	(Cut to Length)	1	
10	0054	801326638	CLAMP		3	
11	0032	883967	HOSE		1	
12	0054	809952104	CLAMP		2	
13	0032	883969	HOSE (COOLER TO STEERING CYLINDER)		1	
14	0025	89879	O-RING (.301 x .064)		1	
15	0032	883970	HOSE (POWER STEERING PUMP TO STEERING CYLINDER)		1	
16	0025	89879	O-RING (.301 x .064)		1	
17	0025	806232	O-RING (.239 x .064)		1	
18	0000	8553871	SUPPORT Oil Tank		1	[1]
19	0000	855388	BRACKET		1	
20	0010	854118	SCREW (M8 x 20)		3	
21	0011	854037	NUT (M8)		3	
22	0000	816340	BRACKET		1	
23	0023	854021	SPACER		2	
24	0025	854020	GROMMET		4	
25	0012	811455	WASHER		4	
26	0054	803627	CLIP		1	
27	0010	855511	SCREW (M6 x 20)		1	
28	0011	854032	NUT (M6)		1	

PART NOTES:

[1] - PART IS NEW AND LISTED FOR THE FIRST TIME

OIL RESERVOIR COMPONENTS (STERN DRIVE)



12826

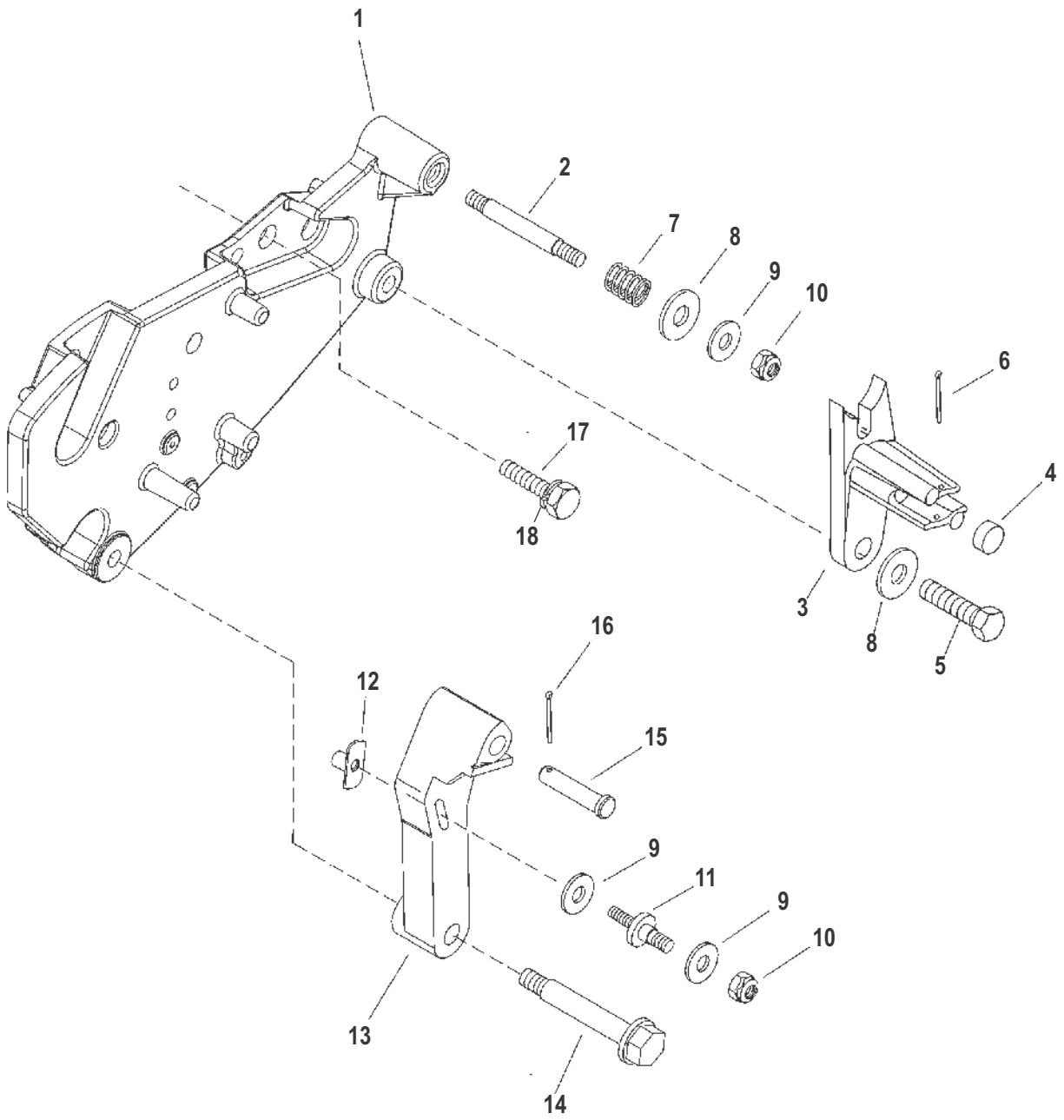
OIL RESERVOIR COMPONENTS (STERN DRIVE)

OIL RESERVOIR COMPONENTS (STERN DRIVE)

Ref #	Part Class	Part Number	Description	Comments	Qty	Note
1	0022	18922	CONNECTOR		1	
2	0025	201951	O-RING (.487 x .103)		1	
3	0012	861854	WASHER (.453 x .750 x .032) Stainless Steel		1	
4	0011	35053	NUT (.437-20)		1	
5	0022	18923	FITTING		1	
6	0054	415825	CLAMP Nylon		4	
7	0032	1940971	HOSE (54.00 Inches Bulk)		2	
8	0022	16739	CONNECTOR		1	
9	0054	642351	J CLIP		1	
10	0054	23567	CLIP		1	
11	0010	60605	SCREW (#10-16 x .750)		1	
12	0000	69205	C WASHER		1	
13	0000	806193A33	MONITOR ASSEMBLY Oil		1	
14	0036	8067271	CAP Drive Lube Monitor		1	
15	0022	808624	CONNECTOR		1	
16	0000	860065A1	BRACKET KIT Oil Bottle		1	
17	0000	808023T	STRAP Bracket		1	
18	0010	854155	SCREW (M10 x 30)		2	
19	0012	811479	WASHER		2	
20	0011	854122	NUT (M10)		2	

OIL RESERVOIR COMPONENTS (STERN DRIVE)

Shift Bracket

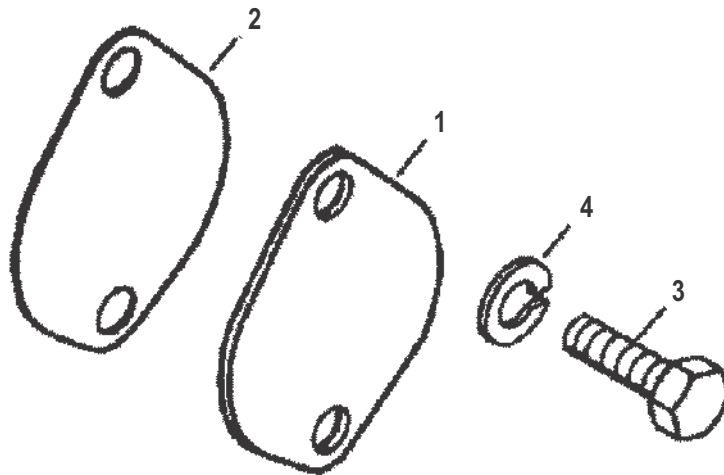


12827

Shift Bracket

Ref #	Part Class	Part Number	Description	Comments	Qty	Note
1	0000	807962A10	BRACKET ASSEMBLY		1	
2	0016	987981	STUD (.250-20/.250-28 x 2.120)		1	
3	0000	12381F1	RETAINER		1	
4	0023	98828	SPACER		1	
5	0010	53167	SCREW (.312-18 x .880)		1	
6	0018	32857	COTTER PIN		1	
7	0024	98880	SPRING		1	
8	0012	56720	WASHER (.330 x .750 x .060) Stainless Steel		2	
9	0012	35462	WASHER (.2656 x .625 x .0625) Stainless Steel		5	
10	0011	8267119	NUT (.250-28)		2	
11	0016	96112	STUD (.250-28 x 2.00) Throttle Cable Anchor		1	
12	0011	63341	TEE NUT		1	
13	0000	138981	LEVER		1	
14	0010	13743	SCREW (.312-18 x 1.843) Shoulder		1	
15	0017	68402	PIN (.250 x 1.13)		1	
16	0018	21071	COTTER PIN		1	
17	0010	854118	SCREW (M8 x 20)		2	
18	0013	811460	LOCKWASHER		2	

Gimbal Housing Cover (STERNDRIVE)



12828

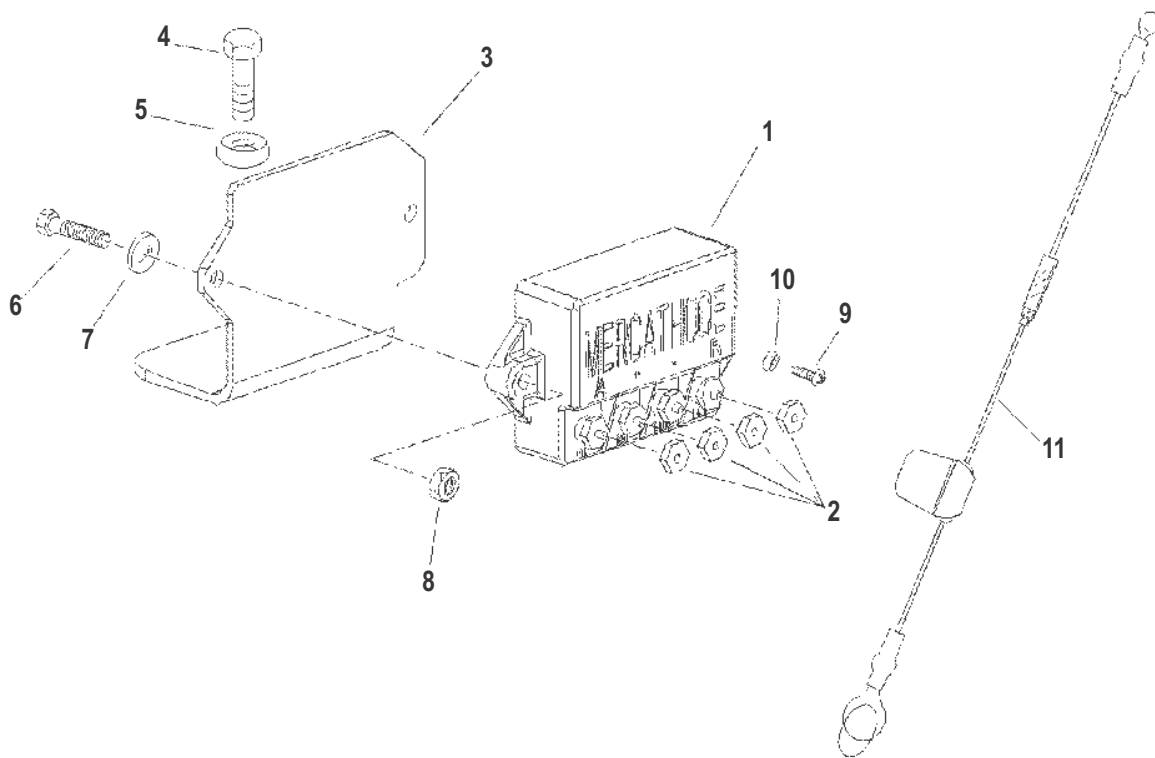
Cat.# 90-889339

Gimbal Housing Cover (STERNDRIVE)

Ref #	Part Class	Part Number	Description	Comments	Qty	Note
-	0000	818304A1	BLOCK OFF KIT		1	
1	0000	818304	COVER		1	
2	0027	818305	GASKET		1	
3	0010	28636	SCREW (.250-20 x .750)		2	
4	0013	26992	LOCKWASHER (.250) Stainless Steel		2	

Gimbal Housing Cover (STERNDRIVE)

MERCATHODE (STERN DRIVE)

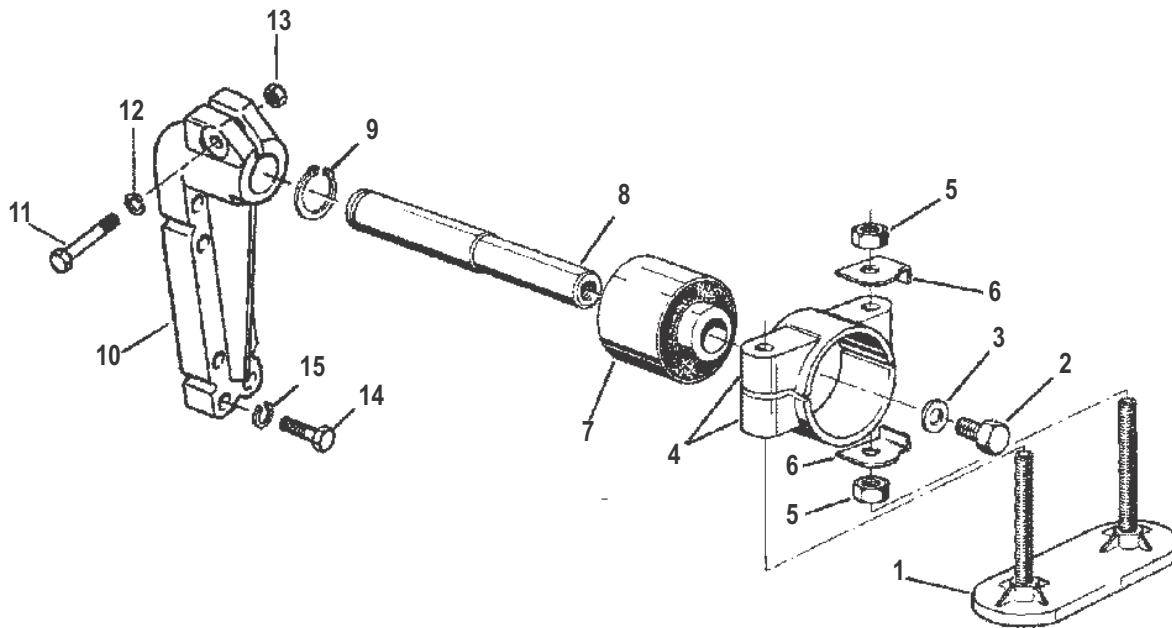


12829

MERCATHODE (STERN DRIVE)

Ref #	Part Class	Part Number	Description	Comments	Qty	Note
1	0000	42600A3	CONTROLLER ASSEMBLY		1	
2	0011	68219	NUT (#10-32) Stainless Steel		4	
3	0000	807286T	BRACKET		1	
4	0010	40001188	SCREW (M10 x 20)		1	
5	0012	4002220	WASHER		1	
6	0010	4000116	SCREW (M5 x 20)		2	
7	0012	809931036	WASHER		2	
8	0011	855385	NUT (M5)		2	
9	0010	62568	SCREW (#10-16 x .375)		1	
10	0012	30164	WASHER (.192 x .375 x .0312) Stainless Steel		2	
11	0084	803625	FUSE ASSEMBLY		1	
-	0088	812619	FUSE Yellow - 20 Ampere		1	

Transmission Mounting (INBOARD)

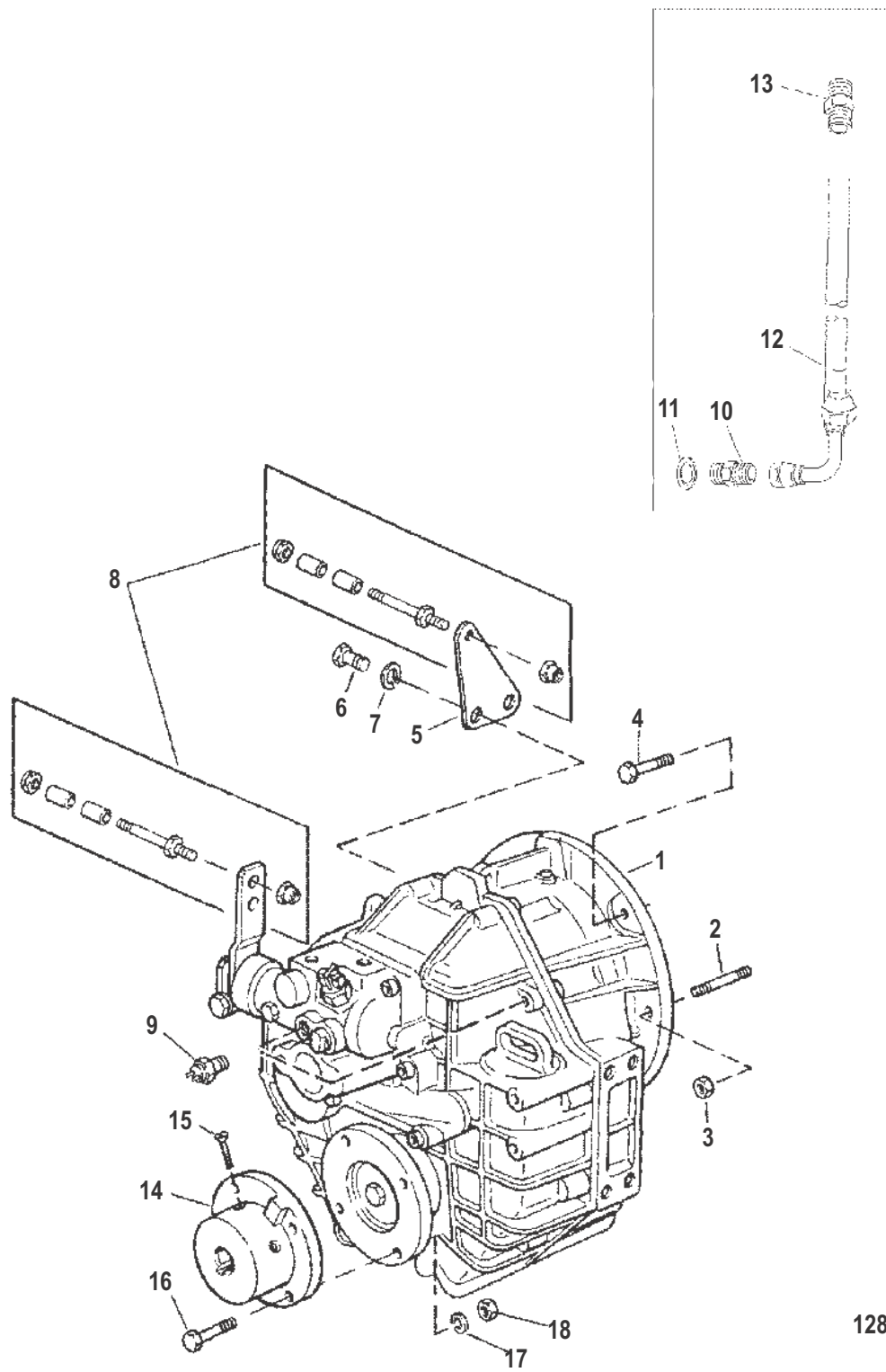


12830

Transmission Mounting (INBOARD)

Ref #	Part Class	Part Number	Description	Comments	Qty	Note
1	0000	801765040	BASE		2	
2	0010	809913815	SCREW		2	
3	0012	809936436	WASHER		2	
4	0000	801765035	HOUSING		4	
5	0011	809923100	NUT		8	
6	0014	801765045	WASHER		8	
7	0023	801763874	BUSHING		2	
8	0017	816913	PIN		2	
9	0053	809934175	RING		2	
10	0000	814158T	BRACKET		2	
11	0010	809913859	SCREW		2	
12	0013	809931076	LOCKWASHER		2	
13	0011	809922113	NUT		2	
14	0010	806195	SCREW (M12 x 45)		8	
15	0013	809933127	LOCKWASHER		8	

TRANSMISSION & RELATED PARTS (INBOARD)



12832

TRANSMISSION & RELATED PARTS (INBOARD)

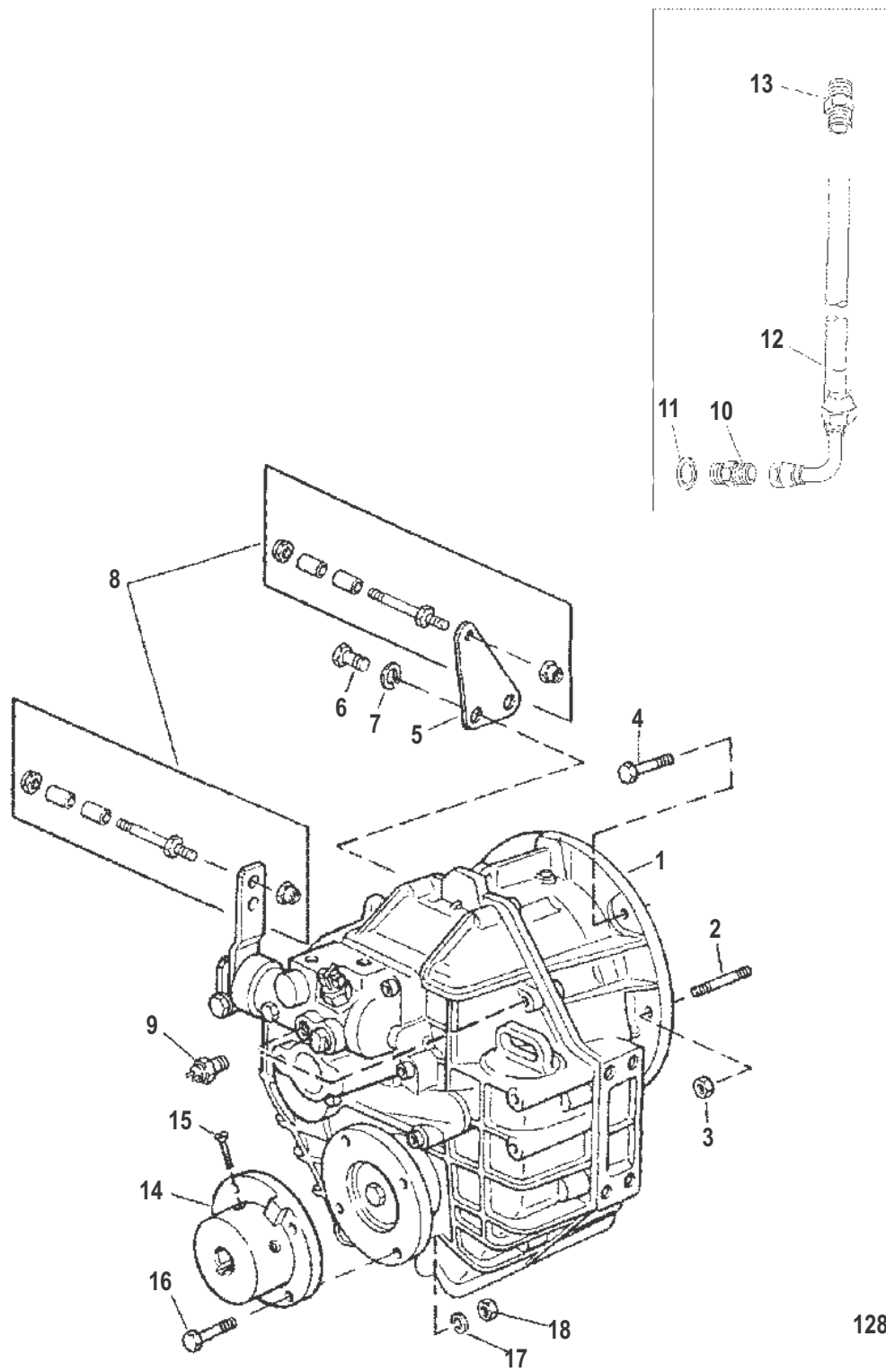
Ref #	Part Class	Part Number	Description	Comments	Qty	Note
1	0000	863744T2	TRANSMISSION (1.5:1 Ratio)	(DOWN ANGLE)	1	[1]
1	0000	18901A1	TRANSMISSION (2.0:1 Ratio)	(DOWN ANGLE)	1	[2]
1	0000	863744T4	TRANSMISSION (2.50:1 Ratio)	(DOWN ANGLE)	1	[3]
1	0000	863745T2	TRANSMISSION (1.5:1 Ratio)	(V-DRIVE)	1	[4]
1	0000	863745T3	TRANSMISSION (2.0:1 Ratio)	(V-DRIVE)	1	[5]
1	0000	863745T4	TRANSMISSION (2.5:1 Ratio)	(V-DRIVE)	1	[6]
2	0016	910002	STUD		2	
3	0011	809922113	NUT	(Refer to MerCruiser Parts Bulletin 95-24)	2	
4	0010	809913837	SCREW	(Refer to MerCruiser Parts Bulletin 95-24)	2	
5	0000	806238	BRACKET		1	
6	0010	809919969	SCREW		2	
7	0013	400247	LOCKWASHER (M8)		2	
8	0016	97477A3	STUD KIT		2	
9	0087	88031	SWITCH ASSEMBLY		1	
10	0022	855517	ELBOW Transmission		2	
11	0012	855516	WASHER		2	
12	0032	855518	HOSE Oil (85 cm)		1	
12	0032	855519	HOSE Oil (93 cm)		1	
13	0022	803174	ELBOW Transimssion Oil Cooler		2	
14	0000	79476A1	FLANGE ASSEMBLY (5.00 x 1.00)		OPT	
14	0000	79476A2	FLANGE ASSEMBLY (5.00 x 1.125)		OPT	
14	0000	79476A3	FLANGE ASSEMBLY (5.00 x 1.25)		OPT	
14	0000	79476A4	FLANGE ASSEMBLY (5.00 x 1.375)		OPT	
14	0000	79476A5	FLANGE ASSEMBLY (5.00 x 1.50)		OPT	
14	0000	79476A6	FLANGE ASSEMBLY (5.00 x 1.75)		OPT	
14	0000	79476A7	FLANGE ASSEMBLY (5.00 x 2.00)		OPT	
15	0010	60171	SCREW (.375-16 x 1.250)		2	
15	0010	60169	SCREW (.375-16 x .750)		2	
16	0010	805159	SCREW (.437-20 x 1.500)		4	
17	0013	32993	LOCKWASHER (.437)		4	
18	0011	22024	NUT (.437-14)		4	
-	0000	877523	VALVE		OPT	

PART NOTES:

- [1] - Alternate part numbers:
863744T 2QS
896346701QS
- [2] - Alternate part numbers:
18901A 1QS
863744R03Reman

TRANSMISSION & RELATED PARTS (INBOARD)

TRANSMISSION & RELATED PARTS (INBOARD)



12832

TRANSMISSION & RELATED PARTS (INBOARD)

- [3] - Alternate part numbers:
 - 863744R04Reman
 - 863744T 4QS
 - 896346703QS
- [4] - Alternate part numbers:
 - 863745R02Reman
 - 863745T 2QS
 - 896346707QS
- [5] - Alternate part numbers:
 - 863745R03Reman
 - 863745T 3QS
 - 896346708QS
- [6] - Alternate part numbers:
 - 863745R04Reman
 - 863745T 4QS
 - 896346709QS

PRIMARY STATION INSTRUMENTATION

PRIMARY STATION INSTRUMENTATION

Ref #	Part Class	Part Number	Description	Comments	Qty	Note
0	0000	861014	PANEL		1	
0	0067	831424A2	LIGHT BULB	(SET OF 2)	A/R	
0	0067	831424	LIGHT BULB	(SET OF 10)	A/R	
0	0087	805678	KEY SWITCH		1	
0	0087	805675A1	TOGGLE SWITCH		1	
0	0079	817033A1	TRIM GAUGE KIT		1	
0	0079	817032A1	BATTERY GAUGE KIT		1	
0	0079	805288A1	GAUGE KIT Water Temperature		1	
0	0079	805287A1	OIL PRESSURE GAUGE KIT		1	
0	0079	816833A1	TACHOMETER GAUGE KIT		1	
0	0079	818163A1	CRUISELOG GAUGE KIT		1	
0	0000	817315	BEZEL		1	
0	0000	817311	BEZEL (TACHOMETER)		1	
0	0000	817309	BRACKET		1	
0	0000	817308	BRACKET (TACHOMETER)		1	
0	0011	26419	NUT (#8-32) Brass		6	
0	0084	860618	HARNESS ASSEMBLY Instrument	(DEUTSCH CONNECTOR)	1	
0	0084	860616	HARNESS ASSEMBLY (23 Feet)	(DEUTSCH CONNECTOR)	1	
0	0088	860608	FUSE 20 Ampere		1	
0	0084	881745	DIODE		1	
0	0087	855386	POWER RELAY		1	

SECONDARY STATION INSTRUMENTATION

SECONDARY STATION INSTRUMENTATION

Ref #	Part Class	Part Number	Description	Comments	Qty	Note
-	0000	861428	PANEL		1	
-	0087	805675A1	TOGGLE SWITCH		1	
-	0087	805676A1	SWITCH		1	
-	0087	805677A1	SWITCH		1	
-	0084	860618	HARNESS ASSEMBLY Instrument	(DEUTSCH CONNECTOR)	1	
-	0084	860615	HARNESS ASSEMBLY (13 Feet)	(DEUTSCH CONNECTOR)	1	
-	0084	860617	HARNESS ASSEMBLY	(DEUTSCH CONNECTOR)	1	
-	0000	49734	SENDER		1	
-	0000	805268	SENDER		1	

PARTS INDEX

Part No.	Description	Pg.	Ref.no	Part No.	Description	Pg.	Ref.no
12009	BUSHING (.31 x .45 x .50)	72	7	12381F1	RETAINER	76	3
13743	SCREW (.312-18 x 1.843) Shoulder	76	14	138981	LEVER	76	13
16739	CONNECTOR	74	8	1743565	HOSE (38.00 Inches Bulk)	58	21
18311T10	COUPLING ASSEMBLY	62	30	18718A7	HOUSING ASSEMBLY	62	21
18825A2	PUMP ASSEMBLY	72	1	18901A1	TRANSMISSION (2.0:1 Ratio)	84	1
18904	CLIP	58	25	18904	CLIP	68	26
18922	CONNECTOR	74	1	18923	FITTING	74	5
1940971	HOSE (54.00 Inches Bulk)	74	7	19485	FILTER	54	1
1983389	HOSE	70	6	201951	O-RING (.487 x .103)	74	2
21071	COTTER PIN	76	16	22024	NUT (.437-14)	84	18
23567	CLIP	74	10	26419	NUT (#8-32) Brass	88	0
26992	LOCKWASHER (.250) Stainless Steel	4	3	26992	LOCKWASHER (.250) Stainless Steel	62	40
26992	LOCKWASHER (.250) Stainless Steel	78	4	26996	LOCKWASHER (#10) Stainless Steel	4	5
28636	SCREW (.250-20 x .750)	78	3	30164	WASHER (.192 x .375 x .0312) Stainless Steel	80	10
32857	COTTER PIN	76	6	32993	LOCKWASHER (.437)	84	17
35053	NUT (.437-20)	74	4	35386	SCREW (.312-18 x 1.00)	4	13
35462	WASHER (.2656 x .625 x .0625) Stainless Steel	76	9	36382	FITTING (.250-18 x .62) Brass	22	7
4000116	SCREW (M5 x 20)	80	6	40001188	SCREW (M10 x 20)	80	4
40001189	SCREW (M10 x 20)	62	34	40001206	SCREW (M10 x 50)	62	24
40001209	SCREW (M10 x 60)	46	22	4000175	SCREW (M6 x 20)	62	39
4000359	SCREW (M8 x 60)	60	8	4000363	SCREW (M8 x 100)	60	9
4000382	SCREW (M10 x 60)	4	16	4002217	WASHER	10	12
4002217	WASHER	32	13	4002217	WASHER	48	19
4002220	WASHER	80	5	4002318	WASHER	72	6
400247	LOCKWASHER (M8)	72	5	400247	LOCKWASHER (M8)	84	7
400248	LOCKWASHER (M10)	60	6	400248	LOCKWASHER (M10)	62	35
400248	LOCKWASHER (M10)	62	37	400256	LOCKWASHER (M6)	60	17
400257	LOCKWASHER (M8)	60	10	4009238	SCREW (M6 x 80)	60	15
4013610	NUT (M10) Stainless Steel	4	19	41471	LOCKWASHER (.375)	22	40
415825	CLAMP Nylon	74	6	42600A3	CONTROLLER ASSEMBLY	80	1
44348T	TUBE	22	41	49099	FITTING	62	33
49734	SENDER	36	29	49734	SENDER	90	-
52382	BUSHING	36	27	53166	LOCKWASHER (.312)	4	14
53167	SCREW (.312-18 x .880)	76	5	56720	WASHER (.330 x .750 x .060) Stainless Steel	76	8
58640	SCREW (.375-16 x 1.25)	22	39	60169	SCREW (.375-16 x .750)	84	15
60171	SCREW (.375-16 x 1.250)	84	15	60605	SCREW (#10-16 x .750)	74	11
62568	SCREW (#10-16 x .375)	80	9	62826A6	CABLE ASSEMBLY Ground (13.00 Inches) Black	62	29
63341	TEE NUT	76	12	64013	FITTING (.375 Male To .125 Female)	54	11
64032A1	V BELT	4	20	642351	J CLIP	74	9
68219	NUT (#10-32) Stainless Steel	80	2	68402	PIN (.250 x 1.13)	76	15
69205	C WASHER	74	12	71587A10	RECOVERY KIT Coolant	70	1
71587A11	BOTTLE Plastic	70	2	71614	GASKET	70	4
72058	CAP	70	3	79476A1	FLANGE ASSEMBLY (5.00 x 1.00)	84	14
79476A2	FLANGE ASSEMBLY (5.00 x 1.125)	84	14	79476A3	FLANGE ASSEMBLY (5.00 x 1.25)	84	14
79476A4	FLANGE ASSEMBLY (5.00 x 1.375)	84	14	79476A5	FLANGE ASSEMBLY (5.00 x 1.50)	84	14
79476A6	FLANGE ASSEMBLY (5.00 x 1.75)	84	14	79476A7	FLANGE ASSEMBLY (5.00 x 2.00)	84	14
79989	NUT (#10-24) Stainless Steel	4	6	801124680	TANK Power Steering Oil Reservoir	72	8
801326638	CLAMP	72	10	801329978	BREAKER Circuit	10	7
801331212	PIN	42	6	801331602	PLUG Expansion	46	2
801331607	SHIM (15 mm)	50	4	801331608	SHIM (20 mm)	50	4
801331619	O-RING	62	5	801331619	O-RING	64	5
801331631	BEARING Standard	48	5	801331632	BEARING (25 mm)	48	5
801331633	BEARING (50 mm)	48	5	801331642	KEY	48	2
801331647	PIN	48	10	801331650	SCREW Locating	46	6
801331651	SCREW	46	11	801331654	O-RING	48	18
801331671	BRIDGE	36	17	801331673	BRIDGE	36	18
801331674	BRIDGE	36	19	801331684	FITTING Drain	46	8
801331684	FITTING Drain	56	19	801331698	SCREW (M4 x 10)	62	13
801331698	SCREW (M4 x 10)	64	12	801331701	RING GEAR	62	10
801331701	RING GEAR	64	10	801331715	BEARING Standard	50	10
801331716	BEARING (25 mm)	50	10	801331717	BEARING (50 mm)	50	10

PARTS INDEX

Part No.	Description	Pg.	Ref.no	Part No.	Description	Pg.	Ref.no
801331733	PLATE Cam Guide	40	4	801331735	KEY	40	3
801331752	PLATE Spring	36	7	801331754	CAP Spring	36	10
801331755	KEEPER Valve	36	11	801332601	WEAR PLATE	68	7
801332604	SCREW	68	12	801332606	GASKET	68	4
801332607	COVER	68	3	801332608	SCREW	68	2
801333415	O-RING	52	6	801333424	CLIP	38	33
801333448	STUD (M8 x 140)	56	7	801333451	STUD (M8 x 90)	22	28
801333451	STUD (M8 x 90)	56	5	801333453	STUD (M10 x 30)	22	3
801333457	CLAMP	30	7	801333464	FITTING	22	24
801333850	O-RING	68	15	801333864	BUSHING (25 mm)	40	2
801333865	DIAPHRAGM	18	11	801333874	SCREW Banjo (M10) Banjo (M10)	30	18
801333980	STARTER MOTOR ASSEMBLY	8	1	801761163	CONNECTOR Return	20	24
801761165	BOLT Banjo (M8 x 1.00)	20	25	801761165	BOLT Banjo (M8 x 1.00)	56	28
801761166	SCREW	20	19	801761382	BRACKET	46	21
801761617	SCREW	46	25	801763349	PULLEY	72	2
801763362	SHIM (23 mm)	50	4	801763377	PLUG	36	4
801763388	CONNECTOR	46	10	801763389	FITTING	22	36
801763451	STUD (M8 x 70)	56	4	801763843	FITTING	18	19
801763853	PLUG	66	2	801763855	ELEMENT	66	5
801763856	O-RING	66	6	801763857	WINDOW	66	7
801763859	SCREW	66	9	801763874	BUSHING	82	7
801763908	STUD (M16 x 125)	46	20	801765017	GASKET	20	2
801765035	HOUSING	82	4	801765040	BASE	82	1
801765045	WASHER	82	6	802737	GLOW PLUG KIT	36	26
803174	ELBOW Transimssion Oil Cooler	84	13	803607	PLUG	28	12
803609	ELBOW Exhaust (33 Degree)	22	10	803610	DRIVEPLATE ASSEMBLY	64	27
803621	BEARING Standard Front Thrust	48	6	803622	WASHER	48	7
803623	VALVE	20	9	803625	FUSE ASSEMBLY	80	11
803627	CLIP	72	26	804702	PIPE	30	14
805013T1	PIPE Exhaust	22	38	805159	SCREW (.437-20 x 1.500)	84	16
805265A1	ELBOW Exhaust	22	6	805267T	SENDER Oil Pressure	46	14
805268	SENDER	46	14	805268	SENDER	90	-
805287A1	OIL PRESSURE GAUGE KIT	88	0	805288A1	GAUGE KIT Water Temperature	88	0
805315	CONNECTOR	22	14	805675A1	TOGGLE SWITCH	88	0
805675A1	TOGGLE SWITCH	90	-	805676A1	SWITCH	90	-
805677A1	SWITCH	90	-	805678	KEY SWITCH	88	0
805681	HOUSING	60	7	805684A2	COUPLING	62	32
805723	GASKET	60	11	805731	COUPLER	62	38
805732	O-RING (2.612 x .103)	54	5	805735T6	COUPLING ASSEMBLY	62	31
805739	HOSE	60	20	805740	HOSE	58	7
805741	HOSE	60	1	805743	HOSE	58	5
805744	HOSE	60	19	805884T	ALTERNATOR	4	1
805884T	ALTERNATOR	6	-	805947T	THERMOSTAT 71°C (160°F)	60	12
805948	THERMOSTAT 82°C (180°F)	60	13	806000	ANODE	58	-
806002A1	END CAP ASSEMBLY	58	-	806193A33	MONITOR ASSEMBLY Oil	74	13
806195	SCREW (M12 x 45)	82	14	806232	O-RING (.239 x .064)	72	17
806238	BRACKET	84	5	806291	REDUCER	66	14
806443	ADAPTER	46	13	806678	STUD (M8 x 150)	56	6
806685	BOLT (M14 x 149.5) Center	36	20	806686	BOLT (M12 x 94.5) Injector Side	36	21
806687	BOLT (M12 x 127.5) Manifold Side	36	22	8067271	CAP Drive Lube Monitor	74	14
806882	GASKET	58	-	806883	GASKET	58	-
8069481	PLUG	54	10	806979T	BRACKET	4	7
806980T	BRACE	4	12	807001	HOSE	58	23
807011	CAP	52	17	807030	SPACER	4	17
807049T	FLEX TUBE	22	8	807226	HOSE	52	14
807256T	FILTER Fuel	18	1	807256T1	HEADER ASSEMBLY	18	6
807261	HEAT EXCHANGER	58	1	807286T	BRACKET	80	3
807322	HOSE	32	NS	807423	HOSE	58	22
807962A10	BRACKET ASSEMBLY	76	1	808023T	STRAP Bracket	74	17
808108	CAP	58	2	808624	CONNECTOR	74	15
809133T	STATOR	6	12	809135	SPACER	6	4

PARTS INDEX

Part No.	Description	Pg.	Ref.no	Part No.	Description	Pg.	Ref.no
809136	NUT	6	1	809137	LOCKWASHER	6	2
809138	BOLT	6	23	809139	FAN ASSEMBLY	6	5
809140	SPACER	6	6	809141	SCREW	6	27
809142	TERMINAL	6	28	809143	NUT	6	17
809144	COVER	6	30	809145	SET SCREW	6	31
809146	MOLD	6	16	809147	LEAD WIRE Red	6	33
809148	LEAD WIRE Black	6	32	809149	CAP	6	29
809150	ROTOR	6	11	809151	BRACKET ASSEMBLY	6	7
809152	RETAINER	6	10	809153	BEARING	6	9
809154	SCREW	6	8	809155	BRACKET ASSEMBLY	6	13
809156	O-RING	6	21	809157	NUT	6	20
809158	MOLD	6	19	809159	BOLT	6	22
809160	SET SCREW	6	15	809161	CONDENSER	6	18
809162	RECTIFIER	6	14	809590	VIBRATION DAMPER	42	10
809724	SCREW (M8 x 35)	28	13	809726	PLATE	28	10
809825	RTV SILICONE (3 Ounce Tube) Metallic Blue	52	NS	809908402	STUD	62	2
809908402	STUD	64	2	809912516	SCREW (M8 x 50)	46	24
809913218	SCREW (M5 x 10)	38	35	809913466	SCREW (M6 x 16)	52	7
809913466	SCREW (M6 x 16)	52	11	809913657	SCREW (M8 x 25)	72	4
809913815	SCREW	82	2	809913837	SCREW	84	4
809913859	SCREW	82	11	809919114	PLUG	56	30
809919131	SCREW (M22 x 1.5)	52	2	809919131	SCREW (M22 x 1.5)	56	16
809919131	SCREW (M22 x 1.5)	58	9	809919621	SCREW	56	26
809919781	SCREW (M6 x 18)	30	3	809919926	SCREW (M6 x 25)	10	4
809919926	SCREW (M6 x 25)	56	15	809919935	SCREW (M8 x 18)	40	5
809919935	SCREW (M8 x 18)	40	10	809919935	SCREW (M8 x 18)	40	14
809919969	SCREW	84	6	809921102	NUT (M16)	46	19
809922038	NUT	20	11	809922113	NUT	82	13
809922113	NUT	84	3	809922457	NUT (M16)	46	18
809923100	NUT	82	5	809930840	LOCKWASHER	66	4
809931036	WASHER	38	36	809931036	WASHER	80	7
809931044	WASHER	52	10	809931076	LOCKWASHER	46	23
809931076	LOCKWASHER	62	25	809931076	LOCKWASHER	82	12
809931094	WASHER	46	17	809932110	LOCKWASHER	48	12
809932110	LOCKWASHER	62	17	809932110	LOCKWASHER	64	17
809932112	LOCKWASHER	62	7	809932112	LOCKWASHER	64	7
809933127	LOCKWASHER	82	15	809934175	RING	82	9
809936436	WASHER	82	3	809937241	PLUG	46	3
809941485	PIN	48	15	809952104	CLAMP	32	17
809952104	CLAMP	72	12	809963042	O-RING	20	26
809963042	O-RING	38	32	809963042	O-RING	56	29
809963072	WASHER	30	15	809963072	WASHER	46	12
809963129	WASHER	18	9	809963129	WASHER	20	20
809963129	WASHER	30	13	809963129	WASHER	36	28
809963129	WASHER	36	28	809963201	WASHER	18	5
809963201	WASHER	20	22	809963201	WASHER	22	37
809963201	WASHER	32	19	809963201	WASHER	46	7
809963201	WASHER	52	16	809963201	WASHER	56	31
809963201	WASHER	66	3	809963342	O-RING	22	25
809963342	O-RING	36	5	809963342	O-RING	54	3
809963354	WASHER	52	3	809963354	WASHER	54	21
809963354	WASHER	56	17	809963354	WASHER	58	10
809963467	SEAL	54	8	811376	BEARING Standard	48	4
811377	BEARING (25 mm)	48	4	811378	BEARING (50 mm)	48	4
811379	FLANGE ASSEMBLY	48	9	811382	SCREW (M10 x 90)	48	11
811383	STUD (M8 x 20)	18	12	811383	STUD (M8 x 20)	22	16
811383	STUD (M8 x 20)	48	16	811383	STUD (M8 x 20)	56	3
811384	LOCKWASHER (M8)	28	21	811384	LOCKWASHER (M8)	40	6
811384	LOCKWASHER (M8)	48	20	811388	SPRING	36	8
811394	BOLT Banjo	38	31	811401	BOLT Banjo (M12)	18	8
811401	BOLT Banjo (M12)	30	12	811407	WASHER	20	10

PARTS INDEX

Part No.	Description	Pg.	Ref.no	Part No.	Description	Pg.	Ref.no
811408	LOCKWASHER	8	6	811408	LOCKWASHER	62	3
811408	LOCKWASHER	64	3	811409	WASHER	20	4
811410	SCREW (M14) (M14)	18	4	811410	SCREW (M14) (M14 X 1.5)	20	21
811410	SCREW (M14)	32	18	811410	SCREW (M14) (M14 X 1.5)	52	15
811411	WASHER Sealing	20	29	811415	SCREW	40	13
811417	NUT	18	15	811417	NUT	68	17
811418	LOCKWASHER	18	14	811418	LOCKWASHER	68	16
811422	SCREW (M6 x 35)	42	8	811423	SCREW (M10 x 45)	42	12
811428	SLEEVE	46	9	811431	SET SCREW (M6 x 3)	46	4
811432	COVER	30	11	811435	CLAMP	22	31
811436	SCREW (M6 x 80)	32	5	811437	WASHER	30	10
811444	LINE	56	27	811448	SCREW	22	34
811450	WASHER	30	4	811450	WASHER	56	14
811450	WASHER	62	28	811450	WASHER	64	26
811455	WASHER	20	16	811455	WASHER	62	20
811455	WASHER	64	20	811455	WASHER	72	25
811456	SCREW	62	18	811456	SCREW	64	18
811457	SCREW (M10 x 35)	10	14	811457	SCREW (M10 x 35)	62	16
811457	SCREW (M10 x 35)	64	16	811458	NUT	8	7
811458	NUT	62	4	811458	NUT	64	4
811459	WASHER	10	15	811459	WASHER	62	8
811459	WASHER	64	8	811460	LOCKWASHER	4	9
811460	LOCKWASHER	22	23	811460	LOCKWASHER	22	35
811460	LOCKWASHER	28	14	811460	LOCKWASHER	40	11
811460	LOCKWASHER	40	15	811460	LOCKWASHER	62	19
811460	LOCKWASHER	64	19	811460	LOCKWASHER	76	18
811461	O-RING	22	26	811463	SCREW	22	22
811464	HOSE	22	30	811466	SLEEVE	22	20
811467	CLIP	22	21	811467	CLIP	32	14
811467	CLIP	52	18	811472	STUD (M8 x 55)	44	3
811479	WASHER	4	18	811479	WASHER	18	17
811479	WASHER	74	19	811482	LOCKWASHER	20	7
811483	WASHER	28	6	811485	O-RING	28	2
811485	O-RING	28	9	811487	PLUG Anode Assembly	28	4
811498	O-RING	62	11	811498	O-RING	64	13
811883T	REGULATOR ASSEMBLY	6	24	811884	BRUSH	6	25
811885	SPRING	6	26	812619	FUSE Yellow - 20 Ampere	80	-
814158T	BRACKET	82	10	814634	CLAMP	30	17
814806	WASHER (.344 x .688 x .065) Stainless Steel	4	15	815088	NUT (M8)	46	26
815504220	CLAMP Worm Gear	58	4	815504220	CLAMP Worm Gear	58	26
815504220	CLAMP Worm Gear	60	2	815504220	CLAMP Worm Gear	68	19
815504222	CLAMP Worm Gear (1.98 Diameter)	58	18	815504224	CLAMP Worm Gear	58	19
815504228	CLAMP Worm Gear	58	8	815504228	CLAMP Worm Gear	66	11
815504232	CLAMP Worm Gear (2.50 Diameter)	58	6	815504232	CLAMP Worm Gear (2.50 Diameter)	68	21
815504272	CLAMP Worm Gear	22	42	815504336	CLAMP Worm Gear	58	20
815504348	CLAMP Worm Gear	26	5	815504348	CLAMP Worm Gear	60	21
816000	ANODE	28	5	816162	SPRING	54	7
816163	THERMOSTAT Oil	54	6	816172	HOSE	66	12
816173	HOSE Reducer	68	22	816174A1	HOSE	68	20
816177	V BELT	72	3	816248	PUMP ASSEMBLY	68	1
816339	NOZZLE	66	10	816340	BRACKET	72	22
816554	TUBE	52	5	816785	STRIP Manifold (FRONT)	30	1
816813	CAM	68	6	816814T	IMPELLER	68	5
816815	RING	68	8	816816	SPACER	68	9
816817	SEAL	68	10	816818	SEAL	68	11
816819	BEARING	68	13	816820	SHAFT	68	14
816833A1	TACHOMETER GAUGE KIT	88	0	816913	PIN	82	8
817032A1	BATTERY GAUGE KIT	88	0	817033A1	TRIM GAUGE KIT	88	0
817089	GASKET	22	5	817169	SWITCH Alarm	54	12
817308	BRACKET (TACHOMETER)	88	0	817309	BRACKET	88	0
817311	BEZEL (TACHOMETER)	88	0	817315	BEZEL	88	0

PARTS INDEX

Part No.	Description	Pg.	Ref.no	Part No.	Description	Pg.	Ref.no
817728	O-RING	50	5	817729	O-RING	50	6
818163A1	CRUISELOG GAUGE KIT	88	0	818170T	FITTING	66	17
818171T	VALVE	66	16	818172	CONNECTOR	66	15
818304	COVER	78	1	818304A1	BLOCK OFF KIT	78	-
818305	GASKET	78	2	821509	RELAY (AUDIO WARNING)	10	NS
8267119	NUT (.250-28)	76	10	831424	LIGHT BULB	88	0
831424A2	LIGHT BULB	88	0	846109	SCREW (.375-16 x .875)	58	-
850418	STUD (M8 x 115)	28	15	850419	STUD (M8 x 22)	28	16
85181	BOLT	66	13	85181	BOLT	70	5
854019	SPACER	28	25	854020	GROMMET	72	24
854021	SPACER	72	23	854025	BRACKET	12	1
854026	BRACKET	12	2	854027	STUD Remote Control Cable	12	3
854028	LOCKNUT	12	4	854029	WASHER	12	5
854031	SUPPORT	12	7	854032	NUT (M6)	10	5
854032	NUT (M6)	10	13	854032	NUT (M6)	12	8
854032	NUT (M6)	56	24	854032	NUT (M6)	72	28
854034	BRACKET	12	10	854035	TPS	12	11
854036	LEVER Throttle Position Sensor	12	12	854037	NUT (M8)	12	13
854037	NUT (M8)	20	5	854037	NUT (M8)	20	15
854037	NUT (M8)	22	17	854037	NUT (M8)	22	29
854037	NUT (M8)	28	17	854037	NUT (M8)	34	6
854037	NUT (M8)	44	5	854037	NUT (M8)	48	21
854037	NUT (M8)	54	23	854037	NUT (M8)	56	8
854037	NUT (M8)	72	21	854038	SUPPORT	12	14
854039	STUD TPS Lever	12	15	854041	VALVE Oil Pressure	46	5
854044	SCREW (M10 x 45)	46	22	854046	GASKET	32	2
854047	GASKET Oil Fill Cap	32	3	854048	CAP	32	4
854050	SEPARATOR Oil	32	11	854051	PLUG	32	7
854052	SLEEVE	32	15	854052	SLEEVE	52	19
854053	TUBE	32	23	854055	SCREW (M6 x 88)	32	6
854057	ROCKER ARM ASSEMBLY	34	1	854058T	BRACKET Rocker Arm	34	7
854059	ROCKER ARM Intake	34	2	854060	SUPPORT Rocker Arm	34	3
854061	ROCKER ARM Exhaust	34	4	854062	BUSHING	34	5
854063	LIFTER Roller	34	8	854064	PUSH ROD	34	9
854066	BRACKET Lifter Retainer	34	10	854068	SEAL Oil	36	9
854069	STUD (M8 x 60)	36	3	854070	VALVE GUIDE Standard	36	6
854071	SEAT (INTAKE)	36	12	854072	SEAT (EXHAUST)	36	13
854073	VALVE	36	14	854074	VALVE Exhaust	36	15
854075	STUD (M8 x 35)	36	16	854080	PLUG Glow	36	26
854081	SENSOR Engine Coolant Temperature	36	29	854084	CAMSHAFT	40	1
854085	GEAR	40	7	854087	PUMP Oil	40	9
854088	GEAR ASSEMBLY	40	12	854090	BUSHING	50	8
854093	NOZZLE	48	13	854095	COVER ASSEMBLY	42	1
854096	GASKET	42	5	854097	COVER	42	2
854098	WASHER	42	3	854101	GASKET	28	18
854103	WASHER	28	23	854104	SCREW (M5 x 20)	10	6
854104	SCREW (M5 x 20)	28	24	854106	SCREW (M10 x 25)	62	6
854106	SCREW (M10 x 25)	64	6	854109	SENSOR Engine RPM	62	26
854109	SENSOR Engine RPM	64	24	854110	PAN Oil	52	1
854112	DEFLECTOR	52	8	854113	SCREW (M6 x 14)	10	11
854113	SCREW (M6 x 14)	32	12	854113	SCREW (M6 x 14)	52	9
854114	DIPSTICK	52	12	854115	TUBE	52	13
854117	GASKET Exhaust Manifold	56	2	854118	SCREW (M8 x 20)	22	18
854118	SCREW (M8 x 20)	28	20	854118	SCREW (M8 x 20)	56	10
854118	SCREW (M8 x 20)	72	20	854118	SCREW (M8 x 20)	76	17
854119	COVER	56	11	854120	GASKET	56	12
854121	SCREW (M6 x 60)	56	13	854122	NUT (M10)	18	18
854122	NUT (M10)	56	18	854122	NUT (M10)	64	23
854122	NUT (M10)	74	20	854123	STUD (M6)	56	20
854124	STUD (M6 x 25)	56	21	854127	GASKET	56	32
854129	GASKET	22	2	854133	GASKET	22	33

PARTS INDEX

Part No.	Description	Pg.	Ref.no	Part No.	Description	Pg.	Ref.no
854135	STUD (M8 x 30)	20	3	854136	KEY	20	6
854137	NUT	20	8	854141	PIPE	20	27
854142	GASKET Injector Nozzle	20	13	854143	O-RING	20	14
854145	FITTING	54	2	854146	ADAPTER Oil Filter Thermostat	54	4
854149	HOSE Oil	54	15	854150	HOSE Oil	54	16
854151	FITTING (M18)	54	17	854152	HEADER Oil Filter	54	18
854153	FITTING	54	19	854154	FITTING (M22)	54	20
854155	SCREW (M10 x 30)	18	16	854155	SCREW (M10 x 30)	54	26
854155	SCREW (M10 x 30)	74	18	854156	STUD (M8 x 25)	44	4
854156	STUD (M8 x 25)	54	22	854157	SPACER	54	24
854158	PLATE Mounting	54	25	854159	FITTING (90 Degree)	18	2
854160	LINE Fuel	18	3	854161	LINE Fuel	18	7
854162	O-RING	18	13	854164	BRACKET	60	3
854165	LIFTING EYE	60	4	854166	SCREW (M10 x 35)	60	5
854168	COVER	60	14	854169	STUD (M6 x 75)	60	16
854170	SPACER	60	18	854171	GASKET	30	2
854173	HOSE	30	6	854177	CLAMP	30	16
854179	PUMP	44	1	854181	SCREW (M8)	4	8
854182	RADIATOR INSERT	28	3	854184	NUT (M8)	4	10
854187	HARNES ASSEMBLY ECM	16	1	854189	CLAMP Hose	26	4
854189	CLAMP Hose	32	9	854189	CLAMP Hose	32	20
854203	LIFTING EYE	28	19	854205	SCREW (M6 x 14)	62	27
854205	SCREW (M6 x 14)	64	25	854214	GASKET	28	7
854217	COVER	28	11	855381	MOUNT Engine	46	16
855382	PIN	46	27	855383	PRESSURE PIPES ASSEMBLY	20	18
855385	NUT (M5)	10	8	855385	NUT (M5)	80	8
855386	POWER RELAY	10	9	855386	POWER RELAY	88	0
8553871	SUPPORT Oil Tank	72	18	855388	BRACKET	72	19
855391	POWER RELAY	10	2	855391	POWER RELAY	10	3
855452	SPACER	62	12	855452	SPACER	64	11
855459	SLEEVE	38	34	855461	BUSHING Standard	40	2
855463	ADAPTER	46	15	855465	SCREW (M8 x 60)	42	7
855470	SCREW (M10 x 20)	64	28	855471	STUD (M10 x 20)	64	22
855473	SCREW (M6 x 12)	52	4	855482	FLEX TUBE	22	12
855483	BLANKET	22	9	855483	BLANKET	22	13
855487	HOSE Return	54	13	855488	HOSE Oil Delivery	54	14
855491	CLAMP	58	3	855494	HOSE	58	14
855495	HOSE	58	12	855496	HOSE	58	15
855497	COOLER	58	16	855498	INSERT	58	13
855499	CLAMP ASSEMBLY (4.2L)	58	17	855508	SCREW (M14 x 25)	4	11
855511	SCREW (M6 x 20)	12	9	855511	SCREW (M6 x 20)	72	27
855516	WASHER	84	11	855517	ELBOW Transmission	84	10
855518	HOSE Oil (85 cm)	84	12	855519	HOSE Oil (93 cm)	84	12
855520	SCREW (M8 x 25)	22	18	860065A1	BRACKET KIT Oil Bottle	74	16
860074020	SERVICE MANUAL SUPPLEMENT	2	0	8600741	SERVICE MANUAL	2	0
860094020	OWNERS GUIDE	2	0	860319A1	END COVER	58	-
860598	SUPPORT	12	14	860602	TUBE Exhaust	22	11
860607	FUSE 5 Ampere	10	16	860608	FUSE 20 Ampere	88	0
860615	HARNES ASSEMBLY (13 Feet)	90	-	860616	HARNES ASSEMBLY (23 Feet)	88	0
860617	HARNES ASSEMBLY	90	-	860618	HARNES ASSEMBLY Instrument	88	0
860618	HARNES ASSEMBLY Instrument	90	-	861014	PANEL	88	0
861068	RING Locking - Fuel Filter	18	-	861428	PANEL	90	-
8614571	DECAL	58	11	861854	WASHER (.453 x .750 x .032) Stainless Steel	74	3
863744T2	TRANSMISSION (1.5:1 Ratio)	84	1	863744T4	TRANSMISSION (2.50:1 Ratio)	84	1
863745T2	TRANSMISSION (1.5:1 Ratio)	84	1	863745T3	TRANSMISSION (2.0:1 Ratio)	84	1
863745T4	TRANSMISSION (2.5:1 Ratio)	84	1	864148	CLAMP	22	4
877376	GASKET (1.42 mm)	36	25	877377	GASKET (1.42 mm)	36	25
877523	VALVE	84	-	879678	GASKET (1.52 mm)	36	25
879679	GASKET (1.62 mm)	36	25	879680	GASKET (1.52 mm)	36	25
879681	GASKET (1.62 mm)	36	25	879698	GEAR	40	8
879704	ADAPTER Injector Nozzle	20	28	879710	HOUSING	64	1

PARTS INDEX

Part No.	Description	Pg.	Ref.no	Part No.	Description	Pg.	Ref.no
879711	SCREW	62	14	879711	SCREW	64	14
879714	SCREW (M6 x 80)	30	9	879720	GASKET	56	22
879721	GASKET	22	15	88031	SWITCH ASSEMBLY	84	9
880819	ADAPTER	36	27	880820	SENDER	36	29
881309	CONTROL ASSEMBLY Engine	12	6	881742	GASKET SET Overhaul	18	-
881742	GASKET SET Overhaul	20	-	881742	GASKET SET Overhaul	22	-
881742	GASKET SET Overhaul	28	-	881742	GASKET SET Overhaul	30	-
881742	GASKET SET Overhaul Engine Overhaul	32	-	881742	GASKET SET Overhaul	38	-
881742	GASKET SET Overhaul	42	-	881742	GASKET SET Overhaul	44	-
881742	GASKET SET Overhaul	46	-	881742	GASKET SET Overhaul	48	-
881742	GASKET SET Overhaul	50	-	881742	GASKET SET Overhaul	52	-
881742	GASKET SET Overhaul	56	-	881742	GASKET SET Overhaul	58	-
881742	GASKET SET Overhaul	60	-	881742	GASKET SET Overhaul	62	-
881742	GASKET SET Overhaul	64	-	881743	GASKET SET Cylinder Head	20	-
881743	GASKET SET Cylinder Head	30	-	881743	GASKET SET Cylinder Head	32	-
881743	GASKET SET Cylinder Head	56	-	881744	COVER	66	8
881745	DIODE	88	0	881746	SPACER	36	23
881746	SPACER	36	24	881787	HOUSING	64	21
881789	SEAL	42	4	883967	HOSE	72	11
883969	HOSE (COOLER TO STEERING CYLINDER)	72	13	883970	HOSE (POWER STEERING PUMP TO STEERING CYLINDER)	72	15
883971	HOSE Power Steering Pump to Reservoir	72	9	884000	ADAPTER	36	27
884004	GASKET	30	5	884005	HARNES ASSEMBLY Engine	14	1
884006	BEARING (.10 mm) Front Thrust	48	6	884007	BEARING (.20 mm) Front Thrust	48	6
884023	BEARING Standard	48	8	884024	BEARING (.25 mm)	48	8
884025	BEARING (.50 mm)	48	8	884026	FLANGE ASSEMBLY	48	14
884027	SEAL	48	17	88743	SCREW (.312-18 x .500)	58	-
88791A1	MOUNT KIT Rubber	62	23	889019	GASKET	44	2
889074A1	VALVE	58	27	889331	TOOL Flywheel TDC Alignment Pin Timing	2	0
889341	TURBOCHARGER	22	1	889500	HOSE	68	23
889505	CYLINDER BLOCK	46	1	889506	COVER	32	1
889507	HOSE	32	8	889508	HOSE	32	8
889509	CYLINDER HEAD ASSEMBLY	36	1	889555	PLUG Expansion	36	2
889856	LINE Oil	36	30	889857	CYLINDER LINER	50	1
889859	RING SET Piston	50	3	889860	CONNECTING ROD ASSEMBLY	50	7
889861	BOLT	50	9	889862	PIN	50	11
889863	RING	50	12	889864	CRANKSHAFT	48	1
889865	GEAR	48	3	889866	PULLEY	42	9
889867	NUT	42	11	889868	COOLER Air	28	1
889869	HOUSING	28	8	889870	SENSOR Map	28	22
889871	HOUSING Flywheel	62	1	889872	FLYWHEEL	62	9
889872	FLYWHEEL	64	9	889873	SCREW (M10 x 25)	62	36
889874	HOSE	26	3	889874	HOSE	32	21
889875	BRACKET	64	15	889876	BRACKET	64	15
889877	MANIFOLD	56	1	889878	LIFTING EYE	56	9
889879	VALVE	56	25	889881	FILTER	66	1
889882	PIPE Return Oil	22	19	889883	PIPE Oil, Delivery	22	32
889884	PUMP Injection	20	1	889885	INJECTION NOZZLE	20	12
889886	INJECTION NOZZLE	20	12	889887	BRACKET Injector Nozzle Hold Down	20	17
889888	PUMP Fuel	18	10	889889	STRIP Manifold (REAR)	30	8
889890	BRACKET	10	10	889891	CONTROL ASSEMBLY Engine	12	6
889894	HOSE	32	22	889895	BRACKET Fuel Cooler	68	25
889896	BRACKET	32	10	889897	HOSE	68	18
889898	CLEANER ASSEMBLY Air	26	1	889899	ELEMENT	26	2
889910	PULLEY	6	3	889917	BRACKET	10	17
889918	WASTEGATE	56	23	889919	SPACER Oil Line	22	27
889920	HOSE Injection Pump to Cooler	20	23	889921	FITTING (90 Degree)	32	16
889922	BRACKET	62	15	891725	STUD Starter Positive	8	8
891726	LINER KIT With Piston	50	-	891727	PISTON With Rings and Pin	50	2
891728	STUD Grounding	64	NS	891867	LONGBLOCK ASSEMBLY (300 HP) Engine	2	-
891867	LONGBLOCK ASSEMBLY (300 HP)	46	-	896332092	HOSE Adapter	58	28

PARTS INDEX

Part No.	Description	Pg.	Ref.no	Part No.	Description	Pg.	Ref.no
89879	O-RING (.301 x .064)	72	14	89879	O-RING (.301 x .064)	72	16
8M0107283	STUD	68	29	8M0107285	O-RING	68	30
910002	STUD	84	2	94330	NUT (.250-20) Brass	4	4
96112	STUD (.250-28 x 2.00) Throttle Cable Anchor	76	11	96457	WASHER Phenolic (.27 x .81 x .062)	4	2
97477A3	STUD KIT	84	8	98277	SEAL	54	9
987981	STUD (.250-20/.250-28 x 2.120)	76	2	98828	SPACER	76	4
98880	SPRING	76	7	99322	SPACER	62	22
99356A2	COOLER ASSEMBLY	58	24	99356A2	COOLER ASSEMBLY	68	24
NSS	NOT SOLD SEPARATE Engaging Relay	8	2	NSS	NOT SOLD SEPARATE Parts Set Armature	8	3
NSS	NOT SOLD SEPARATE Armature	8	4	NSS	NOT SOLD SEPARATE Brush Set	8	5
NSS	NOT SOLD SEPARATE Electrical Box	10	1	NSS	NOT SOLD SEPARATE	68	27
NSS	NOT SOLD SEPARATE	68	28				