

**Parts Manual**

**Cat.# 90-880818**

**Revised 09-12-2020**

# TABLE OF CONTENTS

Cat.# 90-880818

MISCELLANEOUS INFORMATION .....	1
ENGINE/CYLINDER BLOCK .....	3
ROCKER COVER .....	5
ROCKER ARM AND LIFTERS .....	7
CYLINDER HEAD .....	9
CAMSHAFT .....	13
CONNECTING ROD AND PISTON .....	15
CRANKSHAFT .....	17
FRONT COVER .....	19
AIR COOLER .....	21
FLYWHEEL HOUSING (STERN DRIVE) .....	23
FLYWHEEL HOUSING (INBOARD) .....	25
OIL PAN .....	27
EXHAUST MANIFOLD .....	29
TURBO CHARGER/EXHAUST ELBOW .....	31
INJECTION PUMP .....	35
FUEL LINES AND NOZZLE .....	39
OIL FILTER AND OIL HOSES .....	41
FUEL FILTER .....	43
HEAT EXCHANGER AND HOSES .....	45
THERMOSTAT ASSEMBLY AND HOSES .....	47
SEAWATER FILTER .....	49
SEAWATER PUMP .....	51
MANIFOLD STRIP .....	53
STARTER MOTOR .....	55
WATER PUMP .....	57
ALTERNATOR AND MOUNTING HARDWARE .....	59
MERCATHODE (STERN DRIVE) .....	61
ELECTRICAL BOX AND COMPONENTS .....	63
POWER STEERING COMPONENTS (STERN DRIVE) .....	65
SHIFT BRACKET .....	67
COOLANT RECOVERY .....	69
PRIMARY STATION INSTRUMENTATION .....	71
SECONDARY STATION INSTRUMENTATION .....	73
OIL RESERVOIR COMPONENTS (STERN DRIVE) .....	75
TRANSMISSION & RELATED PARTS (INBOARD) .....	77
TRANSMISSION MOUNTING (INBOARD) .....	81
AIR CLEANER .....	83

# TABLE OF CONTENTS

GIMBAL HOUSING COVER (STERN DRIVE).....85

MISCELLANEOUS INFORMATION

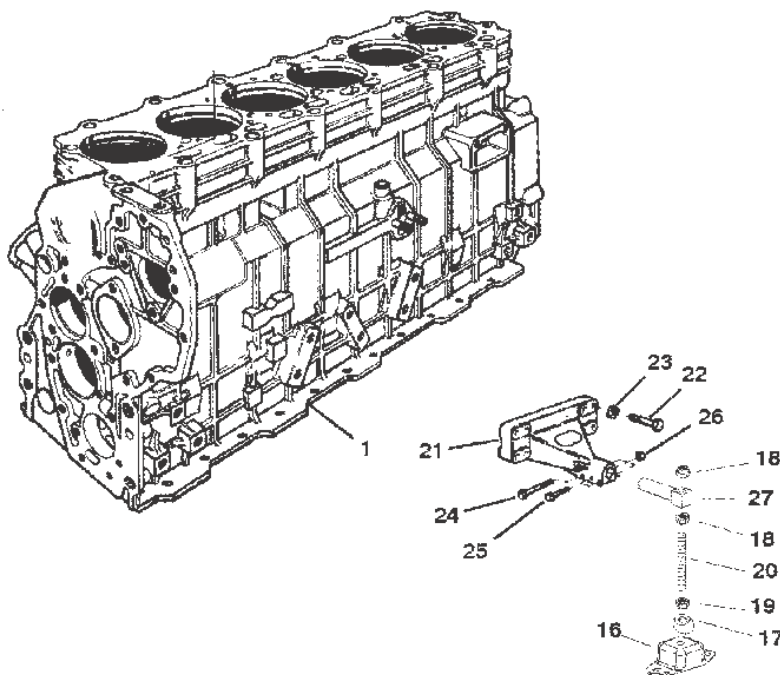
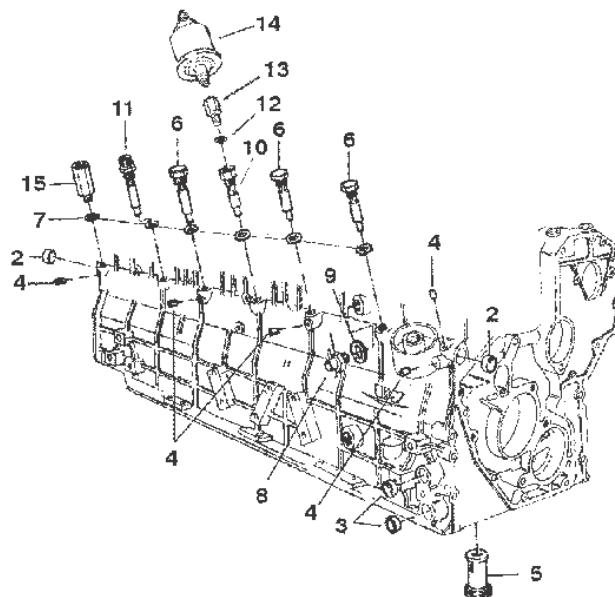
**MISCELLANEOUS INFORMATION**

<b>Ref #</b>	<b>Part Class</b>	<b>Part Number</b>	<b>Description</b>	<b>Comments</b>	<b>Qty</b>	<b>Note</b>
-	0090	860096990	OWNERS MANUAL	INBOARD	1	[1]
-	0090	860094990	OWNERS MANUAL	STERNDRIVE	1	[1]
-	0090	880818	PARTS MANUAL D4.2L/200-LD	[0L344381] & Up	1	[1]
-	0090	860074	SERVICE MANUAL		1	
-	0000	879832	SHORTBLOCK ASSEMBLY	(4.2L-LD)	1	

**PART NOTES:**

[1] - PART IS NEW AND LISTED FOR THE FIRST TIME

# ENGINE/CYLINDER BLOCK



30569

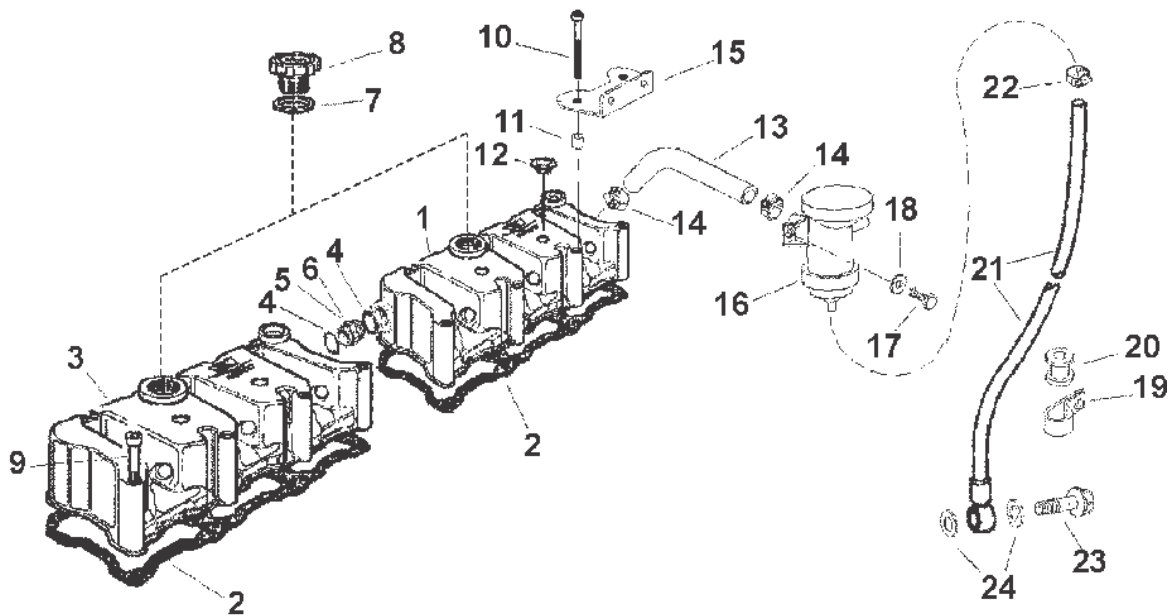
## ENGINE/CYLINDER BLOCK

Ref #	Part Class	Part Number	Description	Comments	Qty	Note
1	0882	854040	CYLINDER BLOCK		1	
2	0019	801331602	PLUG Expansion		2	
3	0019	809937241	PLUG		2	
4	0010	811431	SET SCREW (M6 x 3)		5	
5	0000	854041	VALVE Oil Pressure		1	
6	0010	801331650	SCREW Locating		3	
7	0012	809963201	WASHER		6	[1]
8	0022	801331684	FITTING Drain		1	
9	0022	811428	SLEEVE		1	
10	0022	801763388	CONNECTOR		1	
11	0010	801331651	SCREW		1	
12	0012	809963072	WASHER		1	[1]
13	0022	806443	ADAPTER		1	
14	0000	805267T	SENDER Oil Pressure	(SINGLE STATION)	1	
14	0000	805268	SENDER	(DUAL STATION)	1	
15	0022	855463	ADAPTER		1	
16	0000	855381	MOUNT Engine		2	
17	0012	809931094	WASHER		2	
18	0011	809922457	NUT (M16)		4	
19	0011	809921102	NUT (M16)		2	
20	0016	801763908	STUD (M16 x 125)		2	
21	0000	801761382	BRACKET		2	
22	0010	854044	SCREW (M10 x 45)		6	
22	0010	40001209	SCREW (M10 x 60)		2	
23	0013	809931076	LOCKWASHER		2	
24	0010	809912516	SCREW (M8 x 50)		4	
25	0010	801761617	SCREW		2	
26	0011	815088	NUT (M8)		4	
27	0000	855382	PIN		2	
-	0027	881742	GASKET SET Overhaul		1	
-	0000	879832	SHORTBLOCK ASSEMBLY ENGINE (4.2L &quot;LD&quot;)		1	

## PART NOTES:

[1] - COMPONENT OF OVERHAUL GASKET SET 881742

# ROCKER COVER



30570



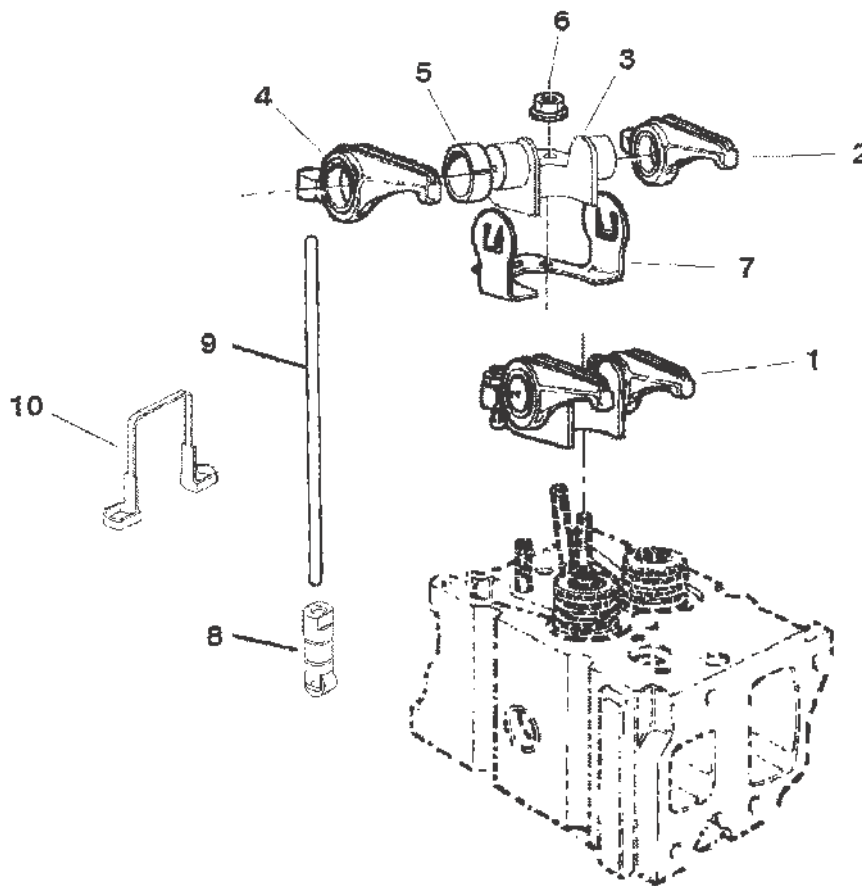
## ROCKER COVER

Ref #	Part Class	Part Number	Description	Comments	Qty	Note
1	0000	854045	COVER (REAR)		1	
2	0027	854046	GASKET		2	[1]
3	0000	854049	COVER (FRONT)		1	
4	0025	854194	O-RING		2	[1]
5	0022	854195	CONNECTOR		1	
6	0053	854196	RING		1	
7	0027	854047	GASKET Oil Fill Cap		2	[1]
8	0036	854048	CAP		2	
9	0010	811436	SCREW (M6 x 80)		12	
10	0010	854055	SCREW (M6 x 88)		2	
11	0023	854056	SPACER		2	
12	0019	854051	PLUG		4	
13	0032	854054	HOSE		1	
14	0054	854189	CLAMP Hose		2	
15	0000	854023	BRACKET		1	
16	0000	854050	SEPARATOR Oil		1	
17	0010	854113	SCREW (M6 x 14)		1	
18	0012	4002217	WASHER		1	
19	0054	811467	CLIP		1	
20	0025	854052	SLEEVE		1	
21	0032	807322	HOSE		1	
22	0054	809952104	CLAMP		1	
23	0010	811410	SCREW (M14)		1	
24	0012	809963201	WASHER		2	[2]
-	0027	881742	GASKET SET Overhaul		1	
-	0027	881743	GASKET SET Cylinder Head		1	

## PART NOTES:

- [1] - COMPONENT OF OVERHAUL GASKET SET 881742  
COMPONENT OF CYL. HEAD GASKET SET 881743
- [2] - COMPONENT OF OVERHAUL GASKET SET 881742

# ROCKER ARM AND LIFTERS

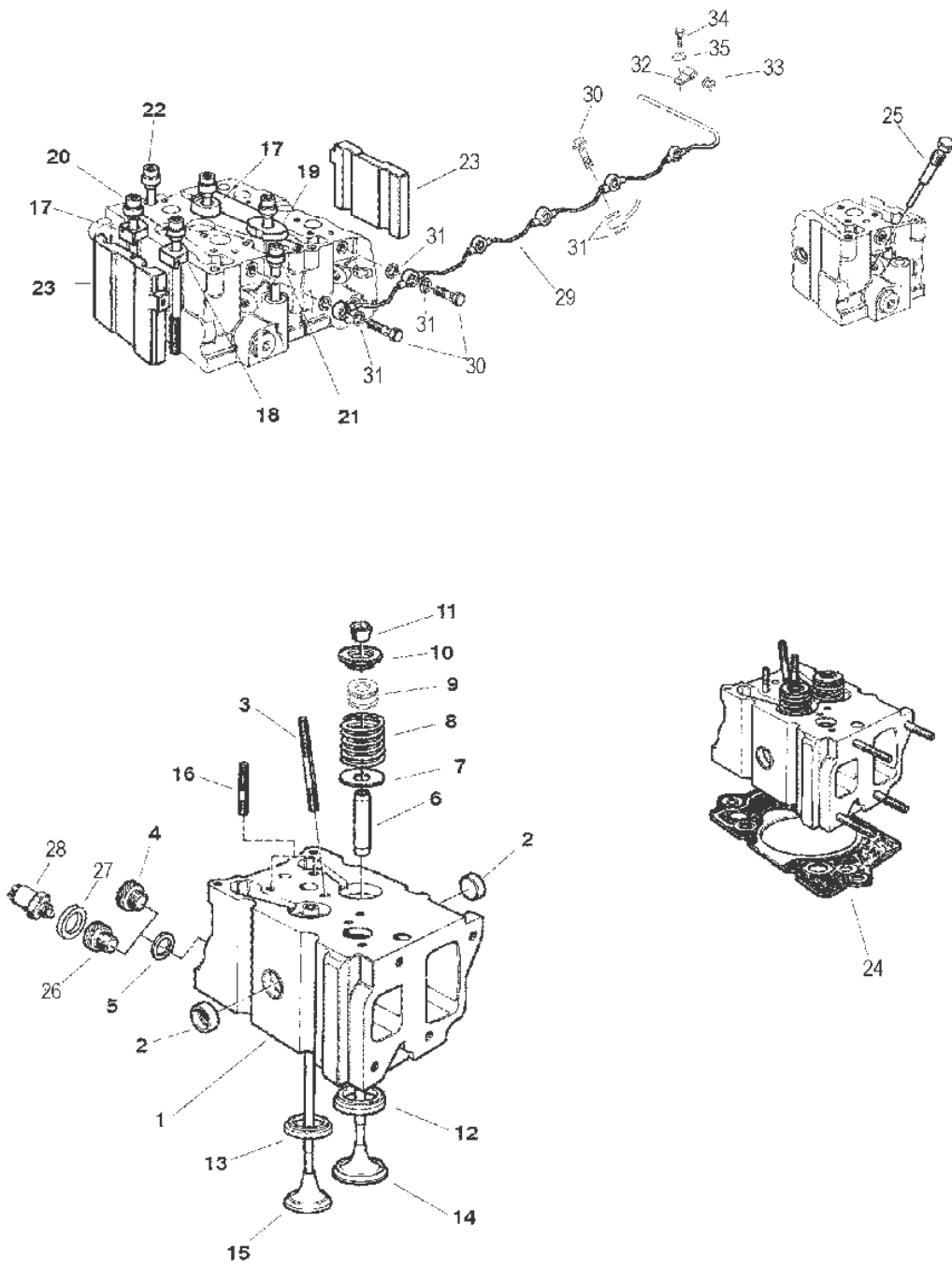


30571

**ROCKER ARM AND LIFTERS**

<b>Ref #</b>	<b>Part Class</b>	<b>Part Number</b>	<b>Description</b>	<b>Comments</b>	<b>Qty</b>	<b>Note</b>
1	0000	854057	ROCKER ARM ASSEMBLY		6	
2	0000	854059	ROCKER ARM (INTAKE)		6	
3	0000	854060	SUPPORT		6	
4	0000	854061	ROCKER ARM (EXHAUST)		6	
5	0023	854062	BUSHING		12	
6	0011	854037	NUT (M8)		12	
7	0000	854058T	BRACKET Rocker Arm		6	
8	0000	854063	LIFTER		12	
9	0000	854064	PUSH ROD		12	
10	0000	854066	BRACKET		6	

# CYLINDER HEAD



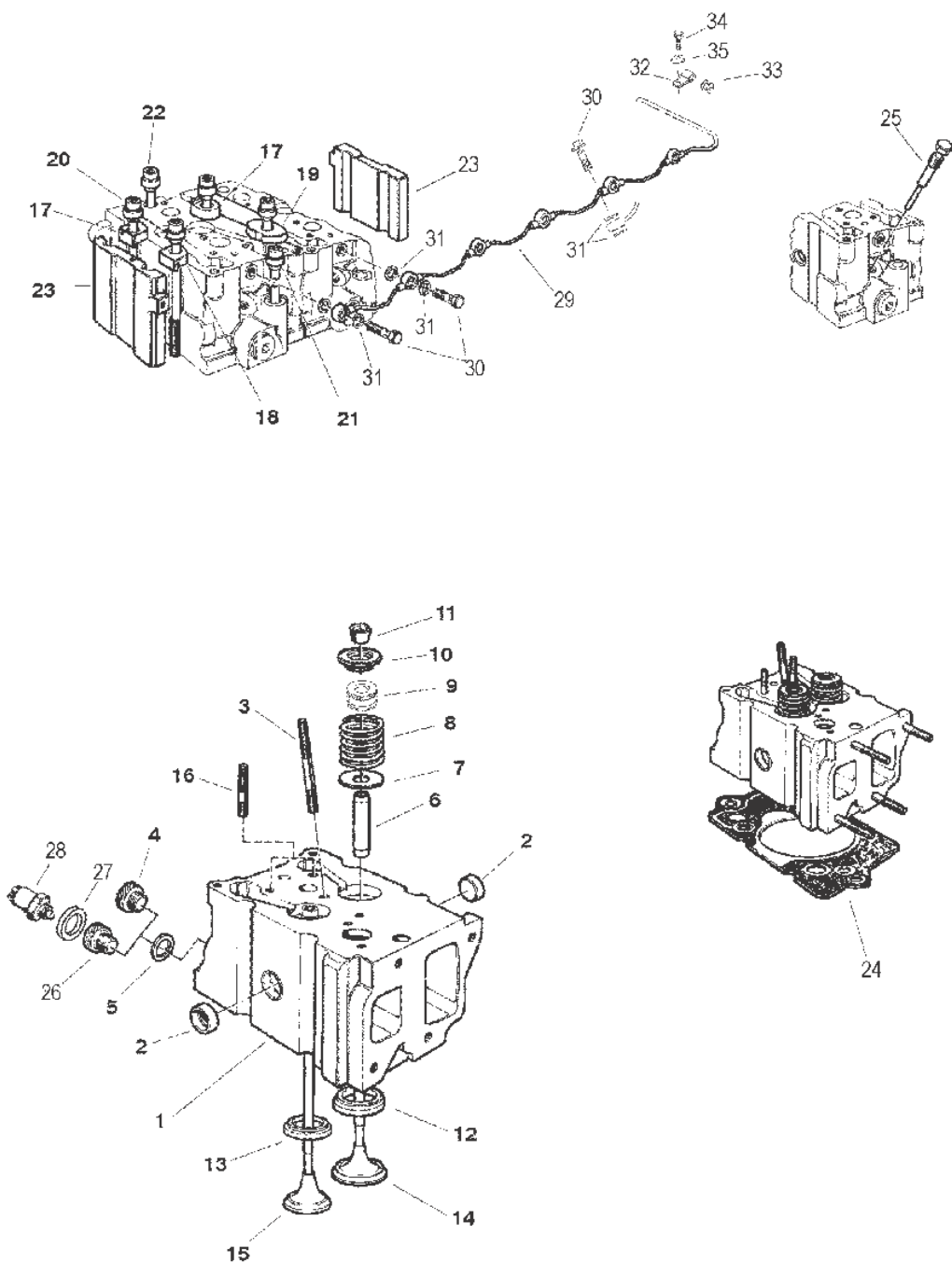
30572

## CYLINDER HEAD

Ref #	Part Class	Part Number	Description	Comments	Qty	Note
1	0000	879715	CYLINDER HEAD ASSEMBLY		6	
2	0019	811389	PLUG		12	
3	0016	854069	STUD (M8 x 60)		6	
4	0010	801763377	PLUG		4	
5	0025	809963342	O-RING		6	[1]
6	0000	854070	VALVE GUIDE Standard		12	
7	0000	801331752	PLATE Spring		12	
8	0024	811388	SPRING		12	
9	0026	854068	SEAL Oil		12	
10	0000	801331754	CAP Spring		12	
11	0000	801331755	KEEPER		24	
12	0000	854071	SEAT (INTAKE)		6	
13	0000	854072	SEAT (EXHAUST)		6	
14	0000	854073	VALVE		6	
15	0000	854074	VALVE Exhaust		6	
16	0016	854075	STUD (M8 x 35)		12	
17	0000	801331671	BRIDGE		7	
18	0000	801331673	BRIDGE		2	
19	0000	801331674	BRIDGE		5	
20	0010	806685	BOLT (M14 x 149.5) Center		14	
21	0010	806686	BOLT (M12 x 94.5) Injector Side		6	
22	0010	806687	BOLT (M12 x 127.5) Manifold Side		6	
23	0023	881746	SPACER		2	
24	0027	877376	GASKET (1.42 mm)		1	
24	0027	879678	GASKET (1.52 mm)		A/R	[2]
24	0027	879679	GASKET (1.62 mm)		A/R	[3]
24	0027	877377	GASKET (1.42 mm)		1	
24	0027	879680	GASKET (1.52 mm)		A/R	
24	0027	879681	GASKET (1.62 mm)		A/R	
25	0019	854080	PLUG		6	
25	0033	802737	GLOW PLUG KIT		OPT	[3]
26	0022	880819	ADAPTER	(ENGINE WATER TEMPERATURE SENDER)	1	
26	0022	52382	BUSHING	(DUAL STATION TEMPERATURE SENDER)	1	
26	0022	880819	ADAPTER		1	[4]
27	0025	809963129	WASHER	(WATER TEMPERATURE SENDER)	1	[1]
28	0000	880820	SENDER	(SINGLE STATION)	1	
28	0000	49734	SENDER	(DUAL STATION) WATER TEMPERATURE SENDER	1	
28	0087	881748	SENDER KSB		1	[4]
29	0032	854065	LINE Oil		1	
30	0010	811394	BOLT Banjo		7	
31	0025	809963042	O-RING		14	[1]
32	0054	801333424	CLIP		1	
33	0025	855459	SLEEVE		1	

## CYLINDER HEAD

# CYLINDER HEAD



30572

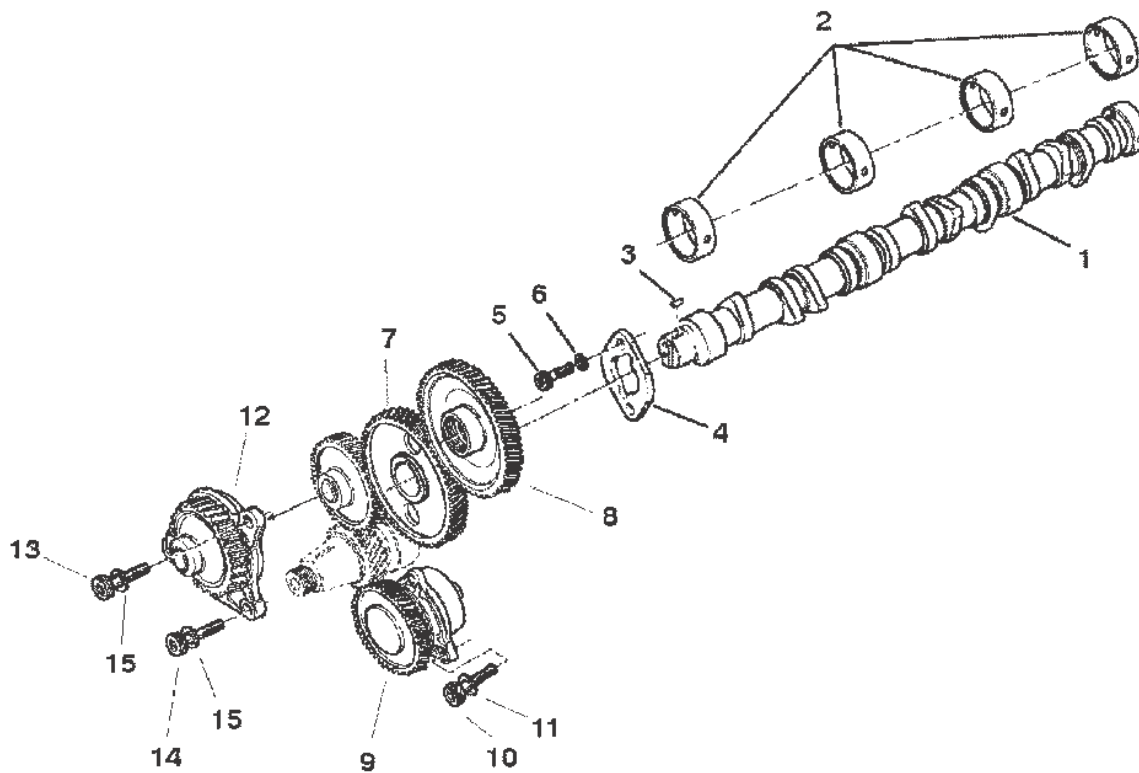
**CYLINDER HEAD**

Ref #	Part Class	Part Number	Description	Comments	Qty	Note
34	0010	809913218	SCREW (M5 x 10)		1	
35	0012	809931036	WASHER		1	
-	0027	881742	GASKET SET Overhaul		1	
-	0027	881743	GASKET SET Cylinder Head		1	

**PART NOTES:**

- [1] - COMPONENT OF OVERHAUL GASKET SET 881742
- [2] - COMPONENT OF OVERHAUL GASKET SET 881742  
COMPONENT OF CYL. HEAD GASKET SET 881743  
OPTIONAL
- [3] - OPTIONAL
- [4] - PART IS NEW AND LISTED FOR THE FIRST TIME

CAMSHAFT



30575



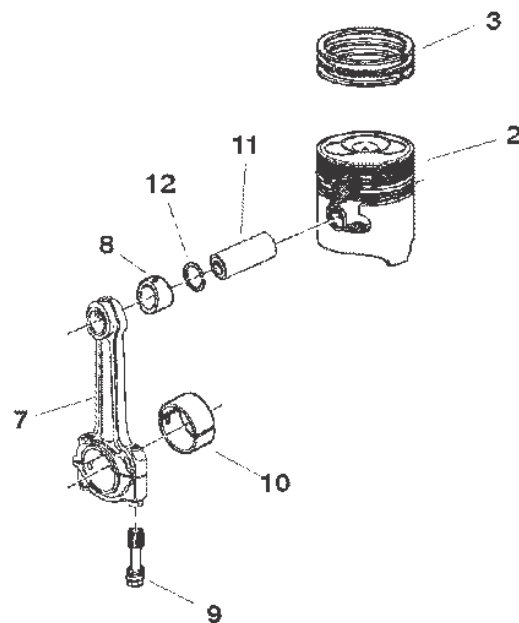
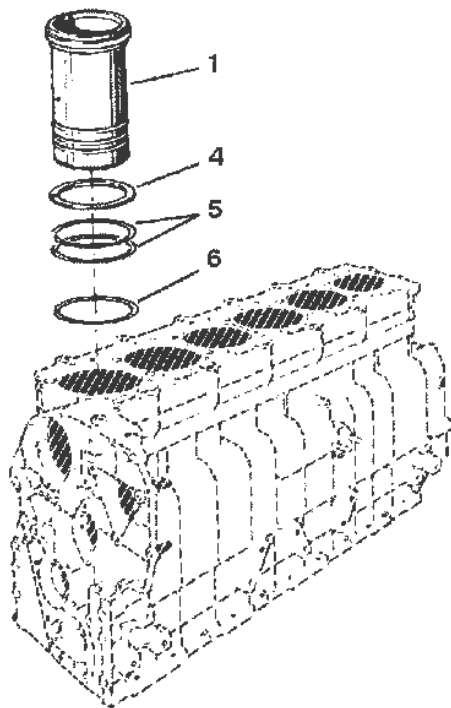
## CAMSHAFT

Ref #	Part Class	Part Number	Description	Comments	Qty	Note
1	0487	854084	CAMSHAFT		1	
2	0023	855461	BUSHING Standard		4	
2	0023	801333864	BUSHING (25 mm)		AR	[1]
3	0028	801331735	KEY		1	
4	0000	801331733	PLATE Cam Guide		1	
5	0010	809919935	SCREW (M8 x 18)		2	
6	0013	811384	LOCKWASHER (M8)		2	
7	0043	854085	GEAR		1	
8	0043	879698	GEAR		1	
9	0000	854087	PUMP Oil		1	
10	0010	809919935	SCREW (M8 x 18)		3	
11	0013	811460	LOCKWASHER		3	
12	0043	854088	GEAR ASSEMBLY		1	
13	0010	811415	SCREW		1	
14	0010	809919935	SCREW (M8 x 18)		2	
15	0013	811460	LOCKWASHER		3	

## PART NOTES:

[1] - AS REQUIRED

# CONNECTING ROD AND PISTON



30576

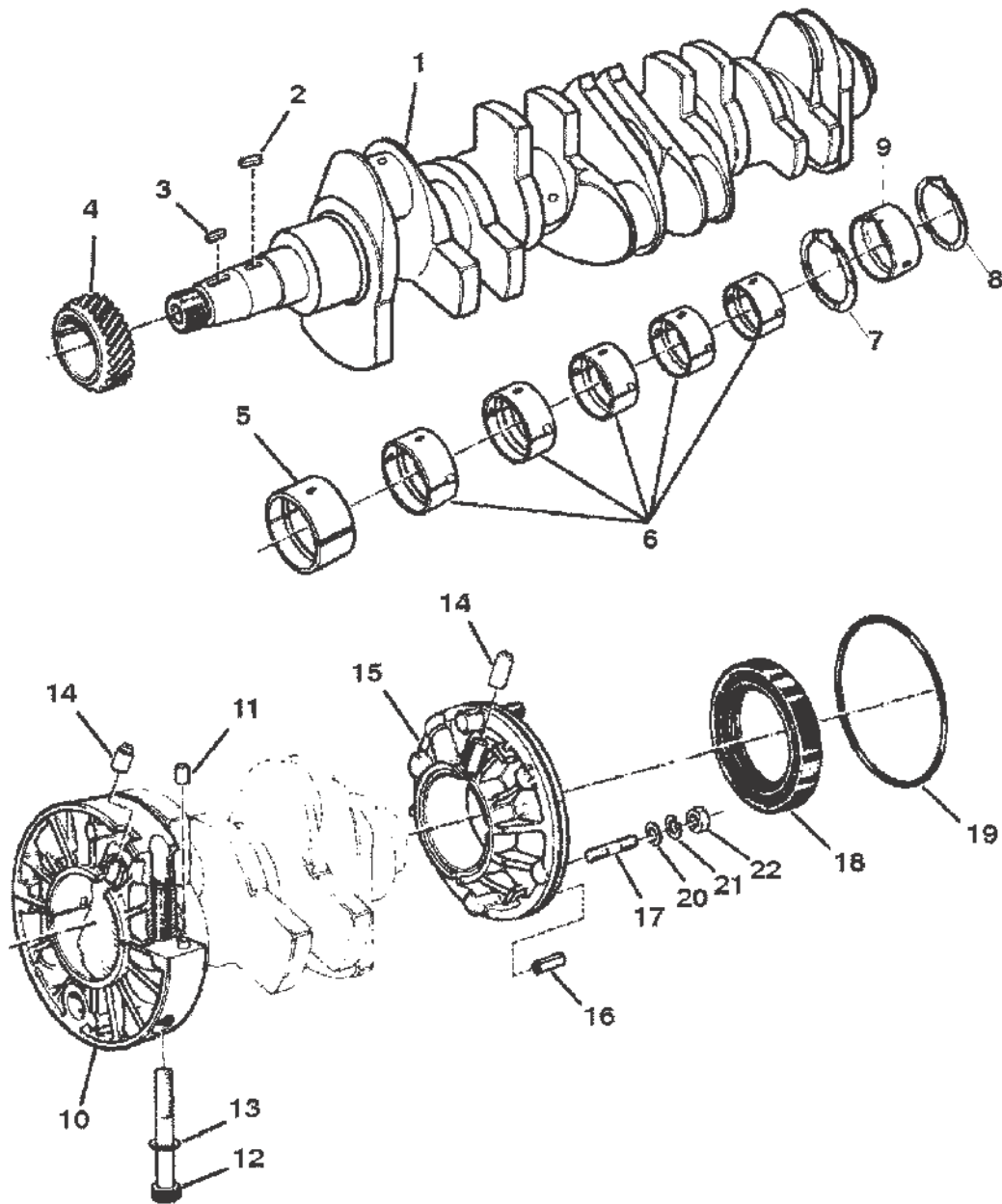
## CONNECTING ROD AND PISTON

Ref #	Part Class	Part Number	Description	Comments	Qty	Note
-	0051	803123A1	LINER KIT		6	
1	0051	854089	LINER		6	
2	0795	803122A1	PISTON ASSEMBLY		6	
3	0039	823646	RING SET		6	
4	0015	801331607	SHIM (15 mm)		AR	[1]
4	0015	801331608	SHIM (20 mm)		AR	[1]
4	0015	801763362	SHIM (23 mm)		AR	[1]
5	0025	817728	O-RING		12	[2]
6	0025	817729	O-RING		6	[2]
7	0641	808629	CONNECTING ROD ASSEMBLY		6	
8	0023	854090	BUSHING		6	
9	0010	801331713	BOLT		12	
10	0000	801331715	BEARING Standard		6	
10	0000	801331716	BEARING (25 mm)		AR	[3]
10	0000	801331717	BEARING (50 mm)		AR	[3]
11	0041	811387	PIN		6	
12	0040	801331725	RING		12	
-	0027	881742	GASKET SET Overhaul		1	

## PART NOTES:

- [1] - COMPONENT OF OVERHAUL GASKET SET 881742  
AS REQUIRED
- [2] - COMPONENT OF OVERHAUL GASKET SET 881742
- [3] - AS REQUIRED

# CRANKSHAFT



30577

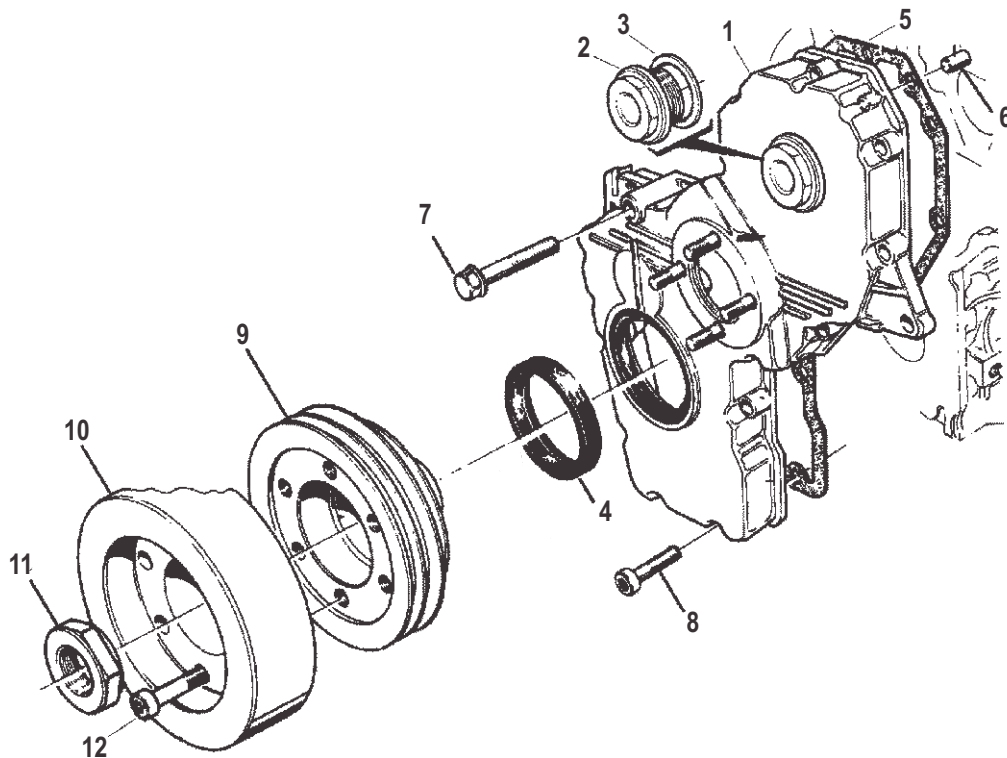
## CRANKSHAFT

Ref #	Part Class	Part Number	Description	Comments	Qty	Note
1	0486	884014	CRANKSHAFT		1	
2	0028	801331642	KEY		1	
3	0028	879718	KEY		1	
4	0043	883960A1	GEAR		1	
5	0023	811376	BEARING Standard		1	
5	0023	811377	BEARING (25 mm)		AR	[1]
5	0023	811378	BEARING (50 mm)		AR	[1]
6	0023	801331631	BEARING Standard		4	
6	0023	801331632	BEARING (25 mm)		AR	[1]
6	0023	801331633	BEARING (50 mm)		AR	[1]
7	0000	803621	BEARING Standard Front Thrust		1	
7	0023	884006	BEARING (.10 mm) Front Thrust		1	
7	0023	884007	BEARING (.20 mm) Front Thrust		1	
8	0012	803622	WASHER		1	
9	0023	884008	BEARING Standard		1	
9	0023	884009	BEARING (.25 mm)		AR	[1]
9	0023	884010	BEARING (.50 mm)		AR	[1]
10	0000	811379	FLANGE ASSEMBLY		5	
11	0017	801331647	PIN		10	
12	0010	811382	SCREW (M10 x 90)		10	
13	0013	809932110	LOCKWASHER		10	
14	0000	854093	NOZZLE		6	
15	0000	884011	FLANGE ASSEMBLY		1	
16	0017	809941485	PIN		1	
17	0016	811383	STUD (M8 x 20)		6	
18	0026	884012	SEAL		1	
19	0025	801331654	O-RING		1	[2]
20	0012	4002217	WASHER		6	
21	0013	811384	LOCKWASHER (M8)		6	
22	0011	854037	NUT (M8)		6	
-	0027	881742	GASKET SET Overhaul		1	

## PART NOTES:

- [1] - AS REQUIRED  
 [2] - COMPONENT OF OVERHAUL GASKET SET 881742

# FRONT COVER



12767

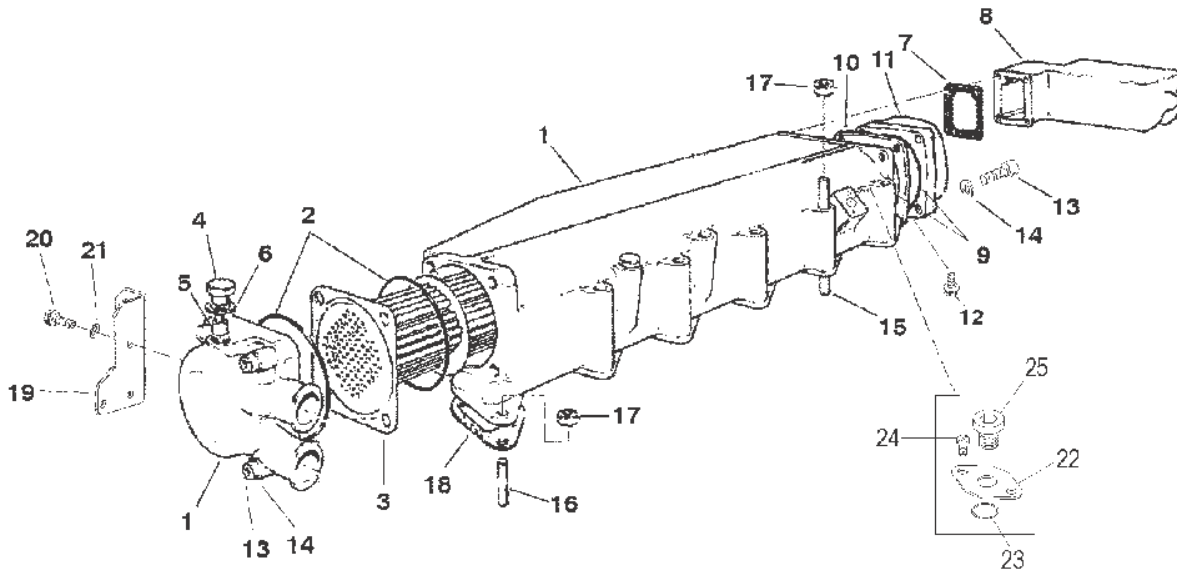
## FRONT COVER

Ref #	Part Class	Part Number	Description	Comments	Qty	Note
1	0000	854095	COVER ASSEMBLY		1	
2	0000	854097	COVER		1	
3	0012	854098	WASHER		1	[1]
4	0026	811425	SEAL		1	
5	0027	854096	GASKET		1	[1]
6	0017	801331212	PIN		2	
7	0010	855465	SCREW (M8 x 60)		1	
8	0010	811422	SCREW (M6 x 35)		13	
9	0000	850420A1	PULLEY	(INCLUDES KEY)	1	
10	0000	809590	VIBRATION DAMPER		1	
11	0011	811421	NUT		1	
12	0010	811423	SCREW (M10 x 45)		6	
-	0027	881742	GASKET SET Overhaul		1	

## PART NOTES:

[1] - COMPONENT OF OVERHAUL GASKET SET 881742

# AIR COOLER



30578



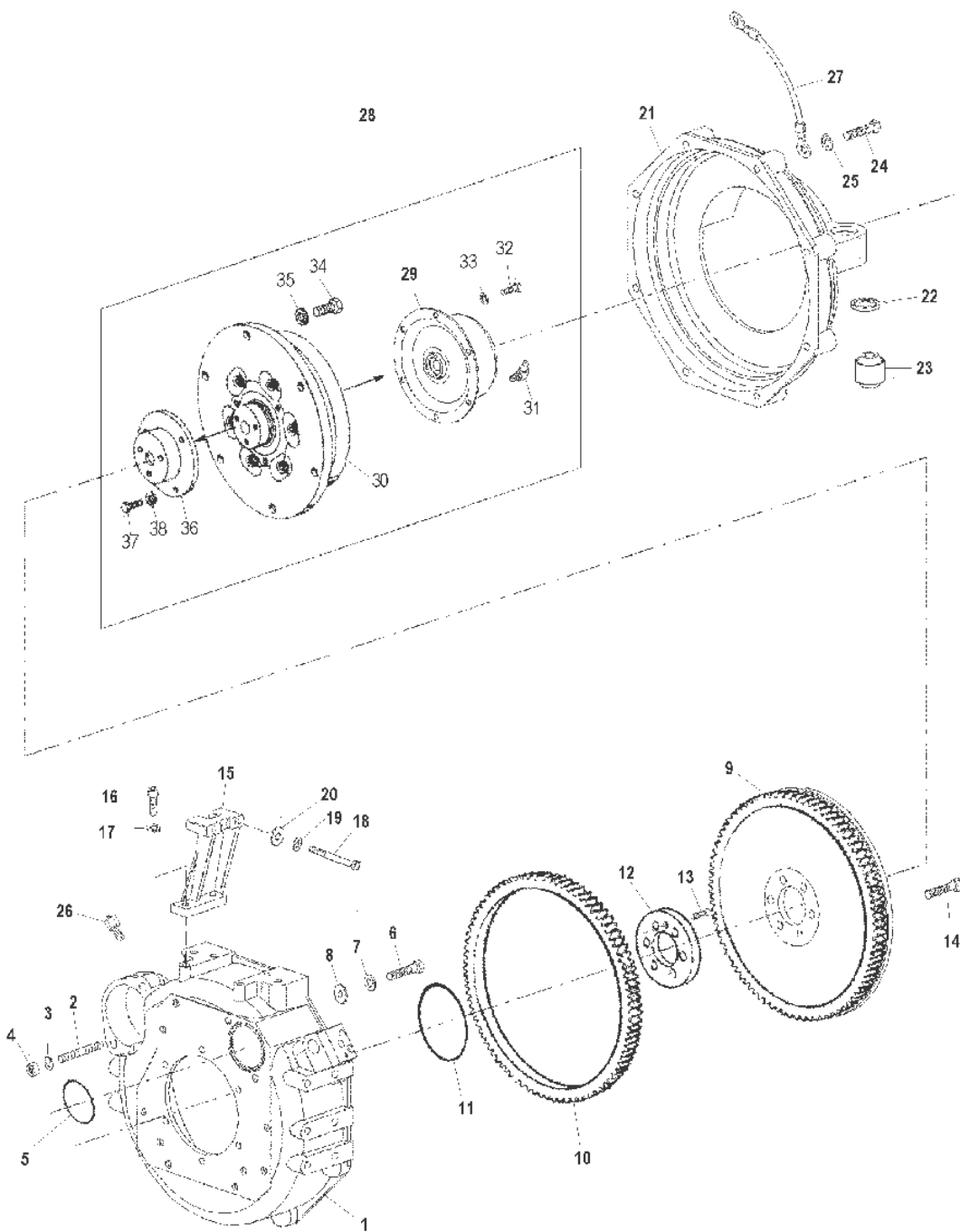
## AIR COOLER

Ref #	Part Class	Part Number	Description	Comments	Qty	Note
1	0000	879709	COOLER Air		1	
2	0025	811485	O-RING		2	
3	0000	854182	RADIATOR INSERT		1	
4	0010	811487	PLUG Anode Assembly		1	
5	0000	816000	ANODE		1	
6	0012	811483	WASHER		1	
7	0027	854214	GASKET		1	
8	0000	854216	HOUSING		1	
9	0025	811485	O-RING		2	
10	0000	809726	PLATE		1	
11	0000	854217	COVER		1	
12	0010	803607	PLUG		1	
13	0010	809724	SCREW (M8 x 35)		8	
14	0013	811460	LOCKWASHER		12	
15	0016	850418	STUD (M8 x 115)		5	
16	0016	850419	STUD (M8 x 22)		7	
17	0011	854037	NUT (M8)		12	
18	0027	854101	GASKET		6	[1]
19	0000	854203	LIFTING EYE		1	
20	0010	854118	SCREW (M8 x 20)		2	
21	0013	811384	LOCKWASHER (M8)		2	
22	0000	880821	PLATE		1	[2]
23	0025	880822	O-RING		1	[2]
24	0010	880823	SCREW (M5 x 20)		2	[2]
25	0000	880824	PICKUP		1	[2]
-	0027	881742	GASKET SET Overhaul		1	

## PART NOTES:

- [1] - COMPONENT OF OVERHAUL GASKET SET 881742  
 [2] - PART IS NEW AND LISTED FOR THE FIRST TIME

# FLYWHEEL HOUSING (STERN DRIVE)



30579

## FLYWHEEL HOUSING (STERN DRIVE)

## FLYWHEEL HOUSING (STERN DRIVE)

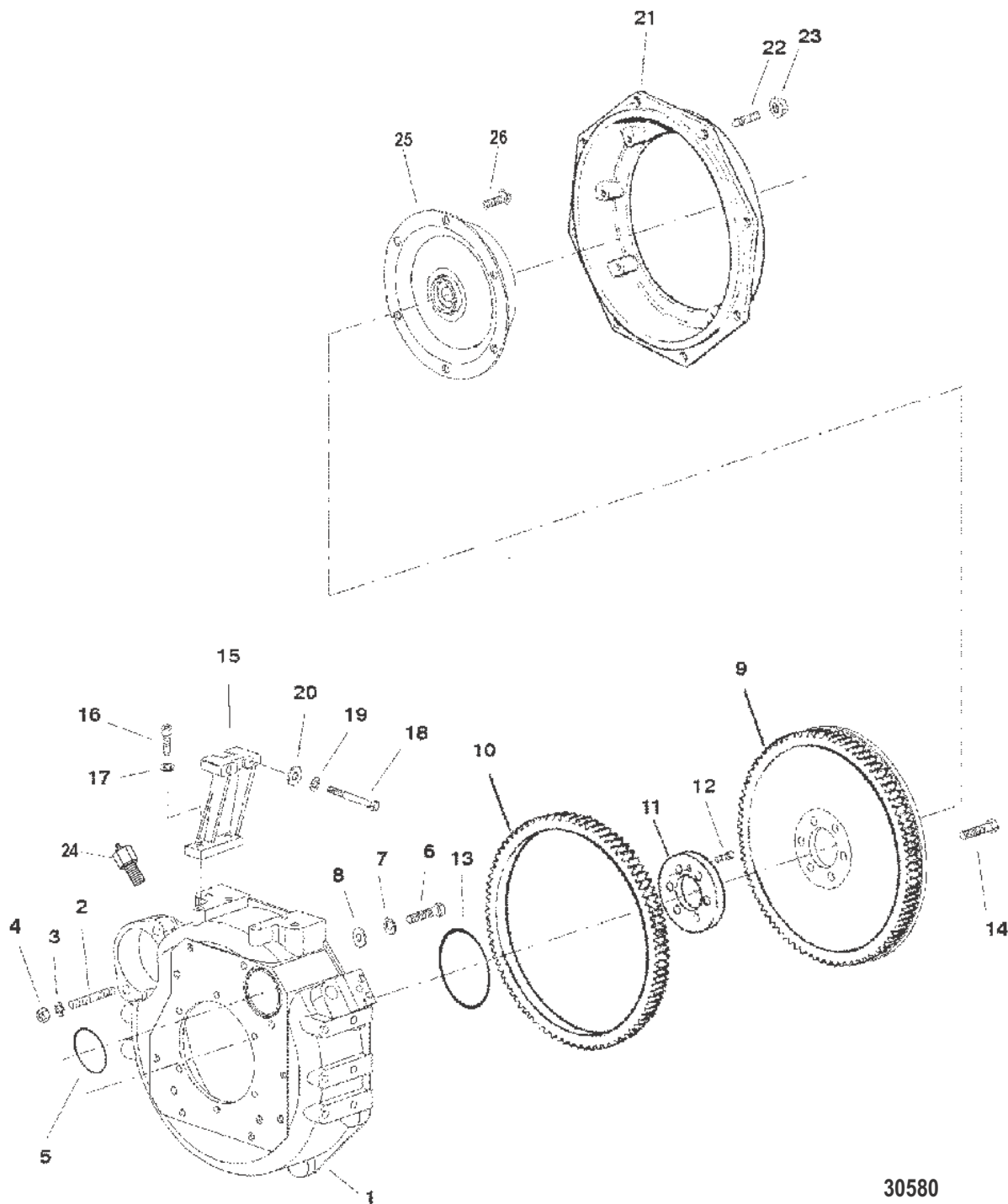
Ref #	Part Class	Part Number	Description	Comments	Qty	Note
1	0000	801331695	HOUSING Flywheel		1	
2	0016	809908402	STUD		2	
3	0013	811408	LOCKWASHER		2	
4	0011	811458	NUT		2	
5	0025	801331619	O-RING		1	[1]
6	0010	854106	SCREW (M10 x 25)		9	
7	0013	809932112	LOCKWASHER		9	
8	0012	811459	WASHER		9	
9	0265	811453	FLYWHEEL		1	
10	0043	801331701	RING GEAR		1	
11	0025	884028	O-RING		1	[1]
12	0000	889030	SPACER Flywheel		1	
13	0010	801331698	SCREW (M4 x 10)		1	
14	0010	879711	SCREW		6	
15	0000	854108	BRACKET		1	
16	0010	811457	SCREW (M10 x 35)		2	
17	0013	809932110	LOCKWASHER		2	
18	0010	811456	SCREW		2	
19	0013	811460	LOCKWASHER		2	
20	0012	811455	WASHER		2	
21	0000	18718A7	HOUSING ASSEMBLY		1	
22	0023	99322	SPACER		2	
23	0000	88791T	MOUNT Rubber		2	
24	0010	40001206	SCREW (M10 x 50)		7	
25	0013	809931076	LOCKWASHER		7	
26	0000	806553	SENDER Tachometer		1	
27	0084	62826A6	CABLE ASSEMBLY Ground (13.00 Inches) Black		1	
28	0000	18311T10	COUPLING ASSEMBLY		1	
29	0000	805684A2	COUPLING		1	
30	0000	805735T6	COUPLING ASSEMBLY		1	
31	0022	49099	FITTING		2	
32	0010	40001189	SCREW (M10 x 20)		6	
33	0013	400248	LOCKWASHER (M10)		6	
34	0010	854155	SCREW (M10 x 30)		6	
35	0013	400248	LOCKWASHER (M10)		6	
36	0000	805731	COUPLER		1	
37	0010	4000175	SCREW (M6 x 20)		6	
38	0013	26992	LOCKWASHER (.250) Stainless Steel		6	
-	0027	881742	GASKET SET Overhaul		1	

## PART NOTES:

[1] - COMPONENT OF OVERHAUL GASKET SET 881742

## FLYWHEEL HOUSING (STERN DRIVE)

# FLYWHEEL HOUSING (INBOARD)



30580

## FLYWHEEL HOUSING (INBOARD)

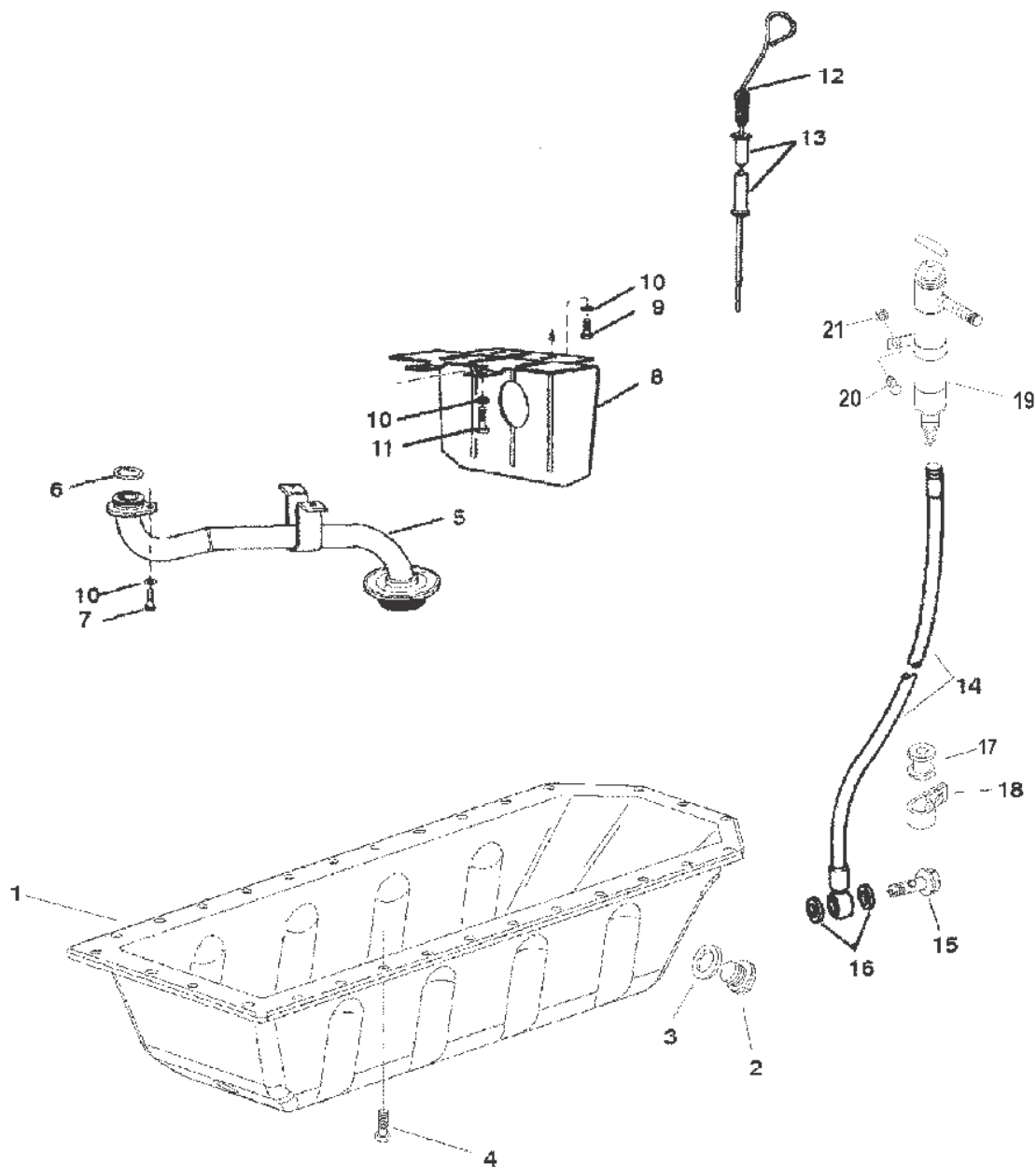
## FLYWHEEL HOUSING (INBOARD)

Ref #	Part Class	Part Number	Description	Comments	Qty	Note
1	0000	801331695	HOUSING Flywheel		1	
2	0016	809908402	STUD		2	
3	0013	811408	LOCKWASHER		2	
4	0011	811458	NUT		2	
5	0025	801331619	O-RING		1	[1]
6	0010	854106	SCREW (M10 x 25)		9	
7	0013	809932112	LOCKWASHER		9	
8	0012	811459	WASHER		9	
9	0265	811453	FLYWHEEL		1	
10	0043	801331701	RING GEAR		1	
11	0000	801331697	SPACER Flywheel		1	
12	0010	801331698	SCREW (M4 x 10)		1	
13	0025	811498	O-RING		1	[1]
14	0010	879711	SCREW		6	
15	0000	854108	BRACKET		1	
16	0010	811457	SCREW (M10 x 35)		2	
17	0013	809932110	LOCKWASHER		2	
18	0010	811456	SCREW		2	
19	0013	811460	LOCKWASHER		2	
20	0012	811455	WASHER		2	
21	0000	815928	COVER PLATE		1	
22	0016	855471	STUD (M10 x 20)		8	
23	0011	854122	NUT (M10)		8	
24	0000	806553	SENDER Tachometer		1	
25	0000	803610	DRIVEPLATE ASSEMBLY		1	
26	0010	855470	SCREW (M10 x 20)		6	
-	0027	881742	GASKET SET Overhaul		1	

## PART NOTES:

[1] - COMPONENT OF OVERHAUL GASKET SET 881742

OIL PAN



30581

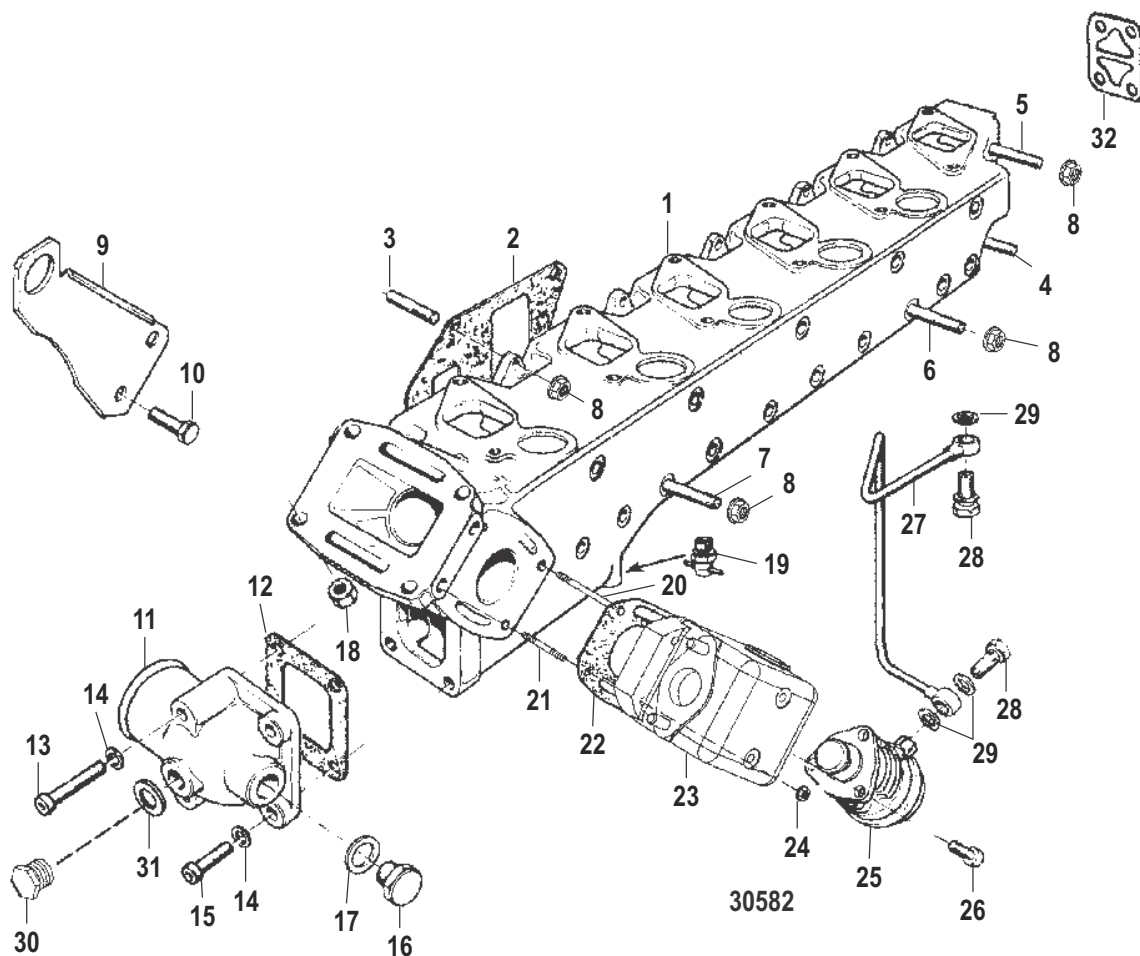
## OIL PAN

Ref #	Part Class	Part Number	Description	Comments	Qty	Note
1	0000	854110	PAN Oil		1	
NS	0092	809825	RTV SILICONE (3 Ounce Tube) Metallic Blue		1	
2	0010	801333862	SCREW		2	
3	0012	809963354	WASHER		2	[1]
4	0010	855473	SCREW (M6 x 12)		29	
5	0000	816554	TUBE		1	
6	0025	801333415	O-RING		1	[1]
7	0010	809913466	SCREW (M6 x 16)		1	
8	0000	854112	DEFLECTOR		1	
9	0010	854113	SCREW (M6 x 14)		2	
10	0012	809931044	WASHER		5	
11	0010	809913466	SCREW (M6 x 16)		2	
12	0000	854114	DIPSTICK		1	
13	0000	854115	TUBE		1	
14	0032	880825	HOSE		1	[2]
15	0010	811410	SCREW (M14)		1	
16	0012	809963201	WASHER		2	[1]
17	0025	854052	SLEEVE		1	
18	0054	811467	CLIP		1	
19	0000	801761921	PUMP Oil Suction		1	
20	0010	8248326	SCREW (M6 x 25 MM)		2	
21	0011	4013610	NUT (M10) Stainless Steel		2	
-	0027	881742	GASKET SET Overhaul		1	

## PART NOTES:

- [1] - COMPONENT OF OVERHAUL GASKET SET 881742  
 [2] - PART IS NEW AND LISTED FOR THE FIRST TIME

# EXHAUST MANIFOLD



## EXHAUST MANIFOLD



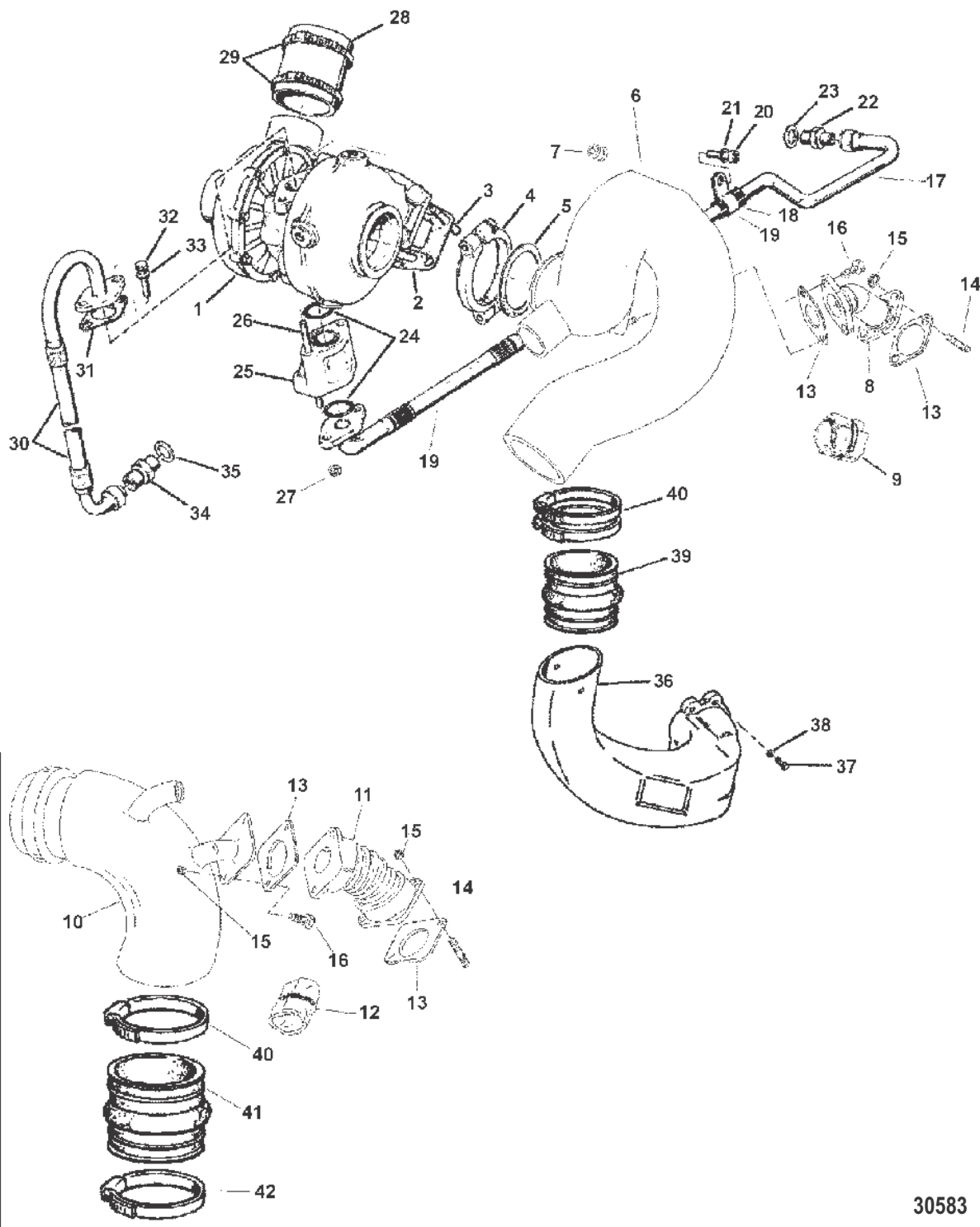
## EXHAUST MANIFOLD

Ref #	Part Class	Part Number	Description	Comments	Qty	Note
1	0000	854116T	MANIFOLD		1	
2	0027	854117	GASKET Exhaust Manifold		6	[1]
3	0016	811383	STUD (M8 x 20)		6	
4	0016	801763451	STUD (M8 x 70)		1	
5	0016	801333451	STUD (M8 x 90)		1	
6	0016	806678	STUD (M8 x 150)		13	
7	0016	801333448	STUD (M8 x 140)		3	
8	0011	854037	NUT (M8)		24	
9	0000	881716	LIFTING EYE		1	
10	0010	854118	SCREW (M8 x 20)		2	
11	0000	854119	COVER		1	
12	0027	854120	GASKET		1	[2]
13	0010	854121	SCREW (M6 x 60)		2	
14	0012	811450	WASHER		4	
15	0010	809919926	SCREW (M6 x 25)		2	
16	0010	809919131	SCREW (M22 x 1.5)		1	
17	0012	809963354	WASHER		1	
18	0011	854122	NUT (M10)		4	
19	0022	801331684	FITTING Drain		1	
20	0016	854123	STUD (M6)		2	
21	0016	854124	STUD (M6 x 25)		2	
22	0027	879720	GASKET		1	[2]
23	0000	854125	WASTEGATE		1	
24	0011	854032	NUT (M6)		4	
25	0000	854126	VALVE		1	
26	0010	809919621	SCREW		3	
27	0032	811444	LINE		1	
28	0010	801761165	BOLT Banjo (M8 x 1.00)		2	
29	0025	809963042	O-RING		4	[2]
30	0010	809919114	PLUG		1	
31	0012	809963201	WASHER		1	[2]
32	0027	854127	GASKET		1	[2]
-	0027	881742	GASKET SET Overhaul		1	
-	0027	881743	GASKET SET Cylinder Head		1	

## PART NOTES:

- [1] - COMPONENT OF OVERHAUL GASKET SET 881742  
COMPONENT OF CYL. HEAD GASKET SET 881743
- [2] - COMPONENT OF OVERHAUL GASKET SET 881742

# TURBO CHARGER/EXHAUST ELBOW



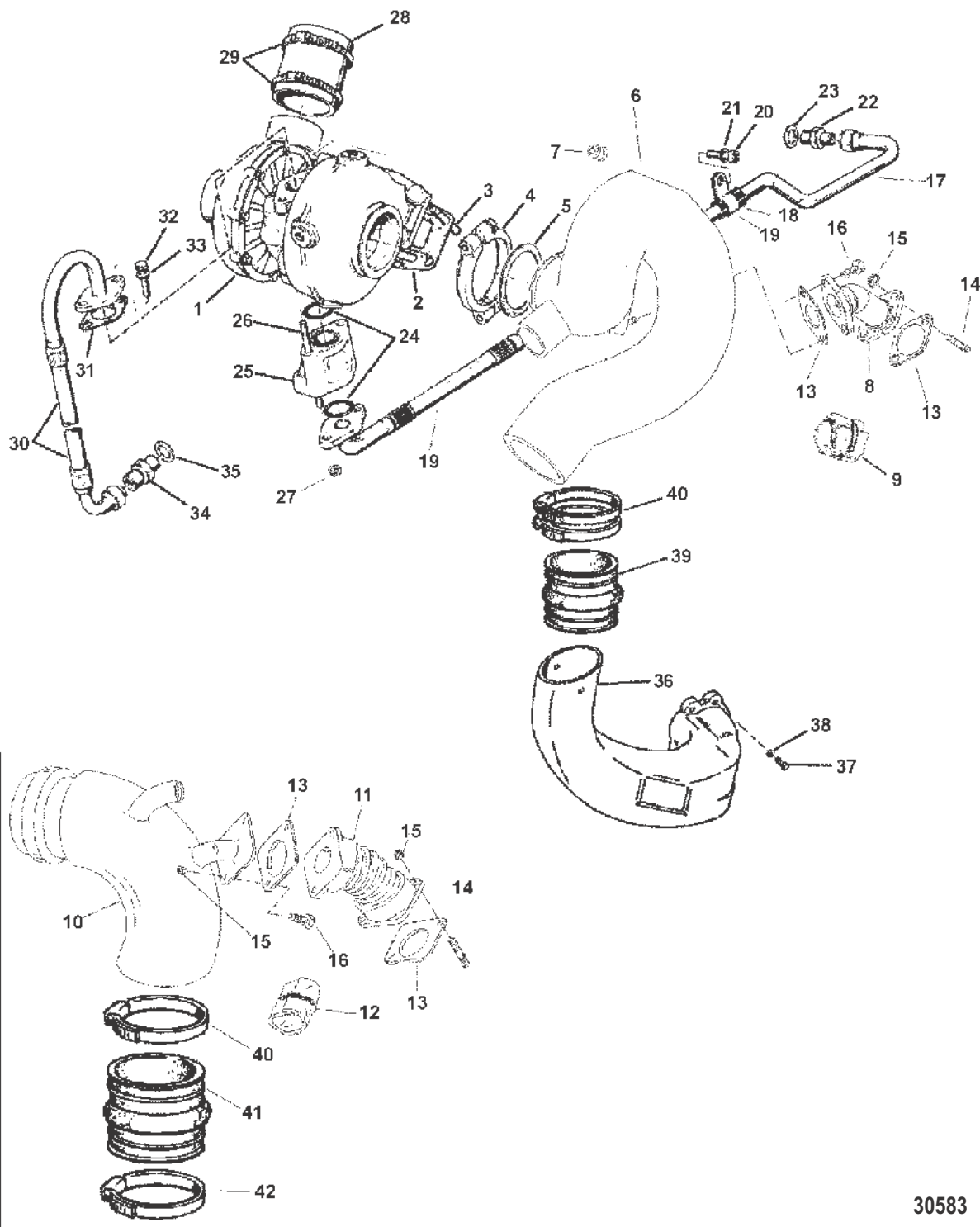
30583

## TURBO CHARGER/EXHAUST ELBOW

Ref #	Part Class	Part Number	Description	Comments	Qty	Note
1	0000	854128	TURBOCHARGER		1	
2	0027	854129	GASKET		1	[1]
3	0016	801333453	STUD (M10 x 30)		4	
4	0054	801763272	CLAMP		1	
5	0027	817089	GASKET		1	[1]
6	0000	805265A1	ELBOW Exhaust	STERN DRIVE	1	
7	0022	36382	FITTING (.250-18 x .62) Brass	STERN DRIVE	1	
8	0000	807049T	FLEX TUBE	STERN DRIVE	1	
9	0000	855483	BLANKET	STERN DRIVE	1	
10	0000	803608	ELBOW 65 Degree Exhaust (65 DEG. DOWN ANGLE)	INBOARD	1	
10	0000	803609	ELBOW Exhaust (33 Degree)	INBOARD	1	
11	0000	855482	FLEX TUBE	INBOARD	1	
12	0000	855483	BLANKET	INBOARD	1	
13	0027	879721	GASKET		2	[1]
14	0016	811383	STUD (M8 x 20)		2	
15	0011	854037	NUT (M8)		2	
16	0010	854118	SCREW (M8 x 20)	STERN DRIVE	2	
16	0010	855520	SCREW (M8 x 25)	INBOARD	2	
17	0032	854130	PIPE		1	
18	0023	811466	SLEEVE		1	
19	0054	811467	CLIP		1	
20	0010	811463	SCREW		1	
21	0013	811460	LOCKWASHER		1	
22	0022	801333464	FITTING		1	
23	0025	809963342	O-RING		1	[1]
24	0025	811461	O-RING		2	[1]
25	0000	854131	HOUSING		1	
26	0016	801333451	STUD (M8 x 90)		2	
27	0011	854037	NUT (M8)		2	
28	0032	891889	HOSE		1	
29	0054	811435	CLAMP		2	
30	0032	854132	PIPE		1	
31	0027	854133	GASKET		1	[1]
32	0010	811448	SCREW		2	
33	0013	811460	LOCKWASHER		2	
34	0022	801763389	FITTING		1	
35	0012	809963201	WASHER		1	[1]
36	0000	805013T1	PIPE Exhaust	STERN DRIVE	1	
37	0010	58640	SCREW (.375-16 x 1.25)	STERN DRIVE	4	
38	0013	41471	LOCKWASHER (.375)	STERN DRIVE	4	
39	0032	44348T	TUBE		1	
40	0054	815504272	CLAMP Worm Gear		2	
41	0032	860602	TUBE Exhaust		1	[2]
42	0054	815504272	CLAMP Worm Gear		2	
-	0027	881742	GASKET SET Overhaul		1	

## TURBO CHARGER/EXHAUST ELBOW

# TURBO CHARGER/EXHAUST ELBOW



30583

**Cat.# 90-880818**

## **TURBO CHARGER/EXHAUST ELBOW**

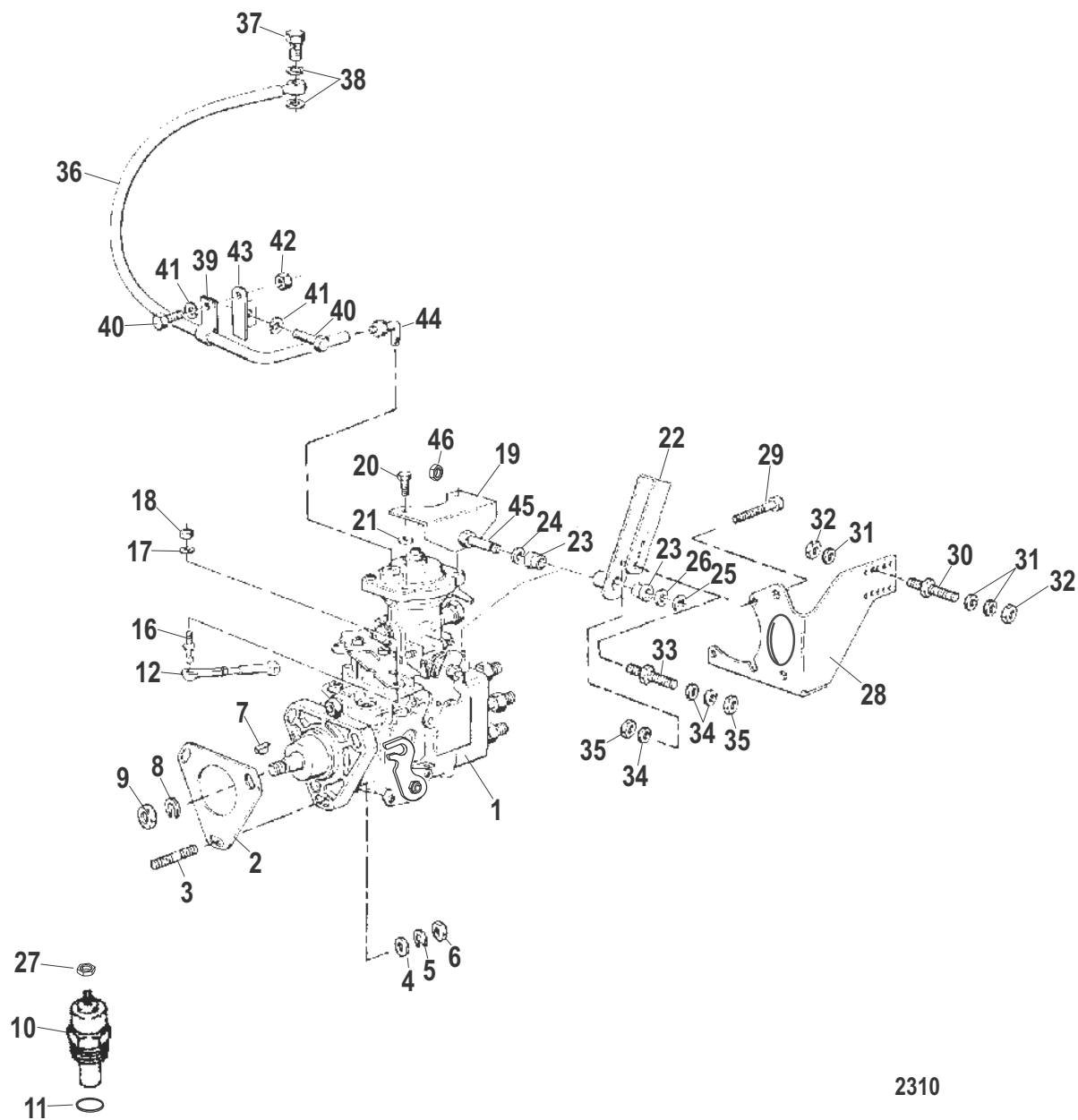
**PART NOTES:**

- [1] - COMPONENT OF OVERHAUL GASKET SET 881742
- [2] - PART IS NEW AND LISTED FOR THE FIRST TIME

---

TURBO CHARGER/EXHAUST ELBOW

# INJECTION PUMP



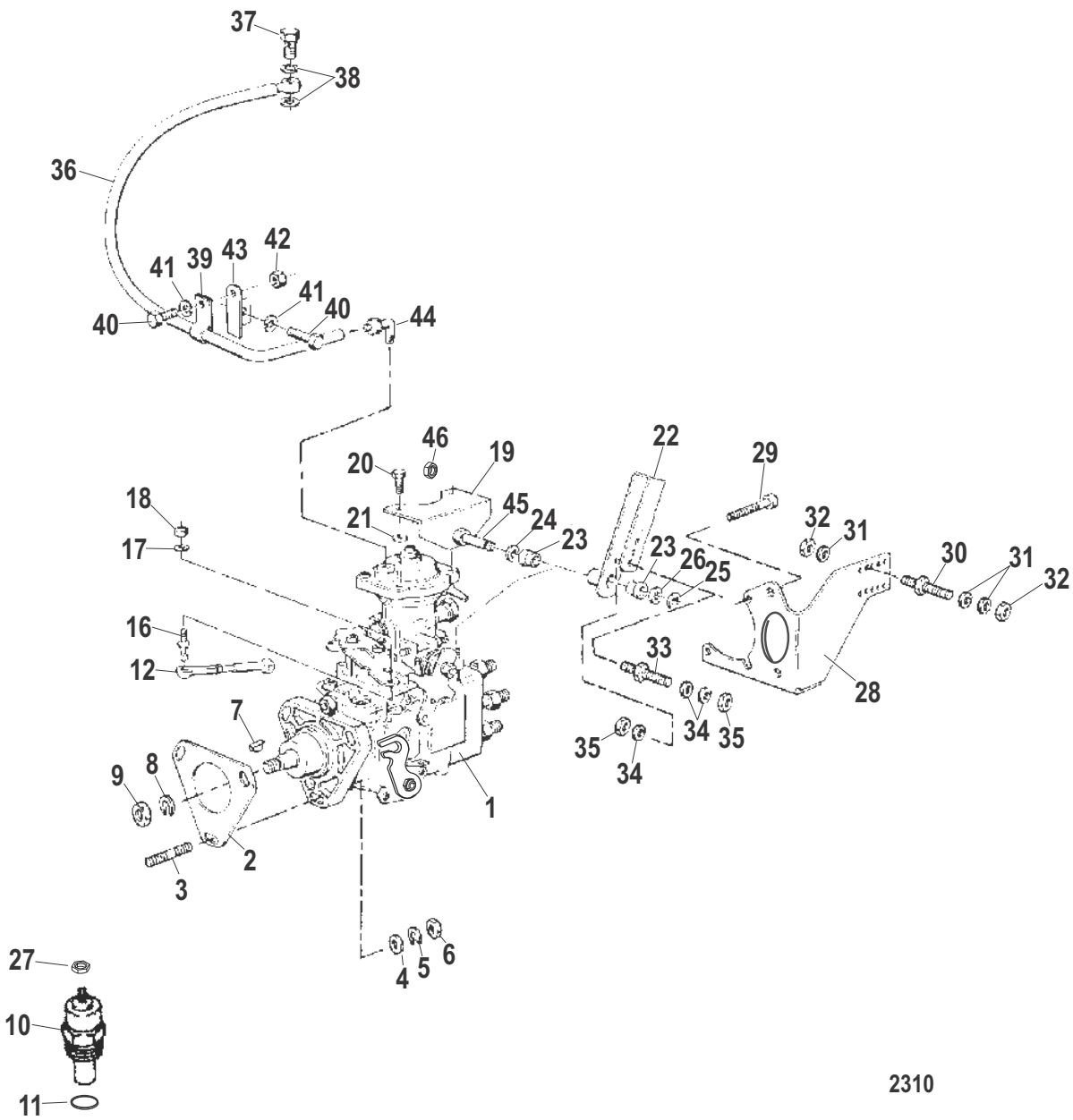
2310

## INJECTION PUMP

Ref #	Part Class	Part Number	Description	Comments	Qty	Note
1	0000	880826	PUMP		1	[1]
2	0027	801765017	GASKET		1	
3	0016	811402	STUD		3	
4	0012	811409	WASHER		3	
5	0013	811384	LOCKWASHER (M8)		3	
6	0011	854037	NUT (M8)		3	
7	0028	811404	KEY		1	
8	0013	811408	LOCKWASHER		1	
9	0011	811403	NUT		1	
10	0000	811406	VALVE Fuel Shut Off		1	
11	0012	811407	WASHER		1	
12	0000	801333856	ROD KIT Link		1	
NS	0000	809987503	JOINT		2	
NS	0011	809922038	NUT		2	
NS		809940960	ROD		1	
16	0017	809987302	PIN		1	
17	0012	809931036	WASHER		1	
18	0011	809922410	NUT		1	
19	0000	801761674	BEARING Angle		1	
20	0010	8248327	SCREW (M6 x 30)		2	
21	0023	421581	BUSHING		2	
22	0000	880838	LEVER		1	[1]
23	0023	801256320	BUSHING		2	
24	0013	811460	LOCKWASHER		1	
25	0013	809932646	LOCKWASHER		1	
26	0053	809932852	E CLIP		1	
27	0011	809922038	NUT		1	
28	0000	880827	SUPPORT		1	[1]
29	0010	801761847	SCREW		2	
30	0016	38525	STUD		1	
31	0012	24664	WASHER (M4 x 20)		2	
32	0011	35888	NUT (.250-28) Stainless Steel		2	
33	0016	96112	STUD (.250-28 x 2.00) Throttle Cable Anchor		1	
34	0012	24664	WASHER (M4 x 20)		2	
35	0011	35888	NUT (.250-28) Stainless Steel		2	
36	0032	801763467	TUBE Boost Pressure		1	
37	0010	801333874	SCREW Banjo (M10) Banjo		1	
38	0012	809963072	WASHER		2	
39	0054	801761758	CLAMP		1	
40	0010	809913218	SCREW (M5 x 10)		2	
41	0013	809932047	LOCKWASHER		2	
42	0011	809922038	NUT		1	
43	0000	801761757	SUPPORT		1	
44	0022	801333873	CONNECTOR		1	
45	0010	801329200	SCREW		1	

## INJECTION PUMP

# INJECTION PUMP



2310



**Cat.# 90-880818**

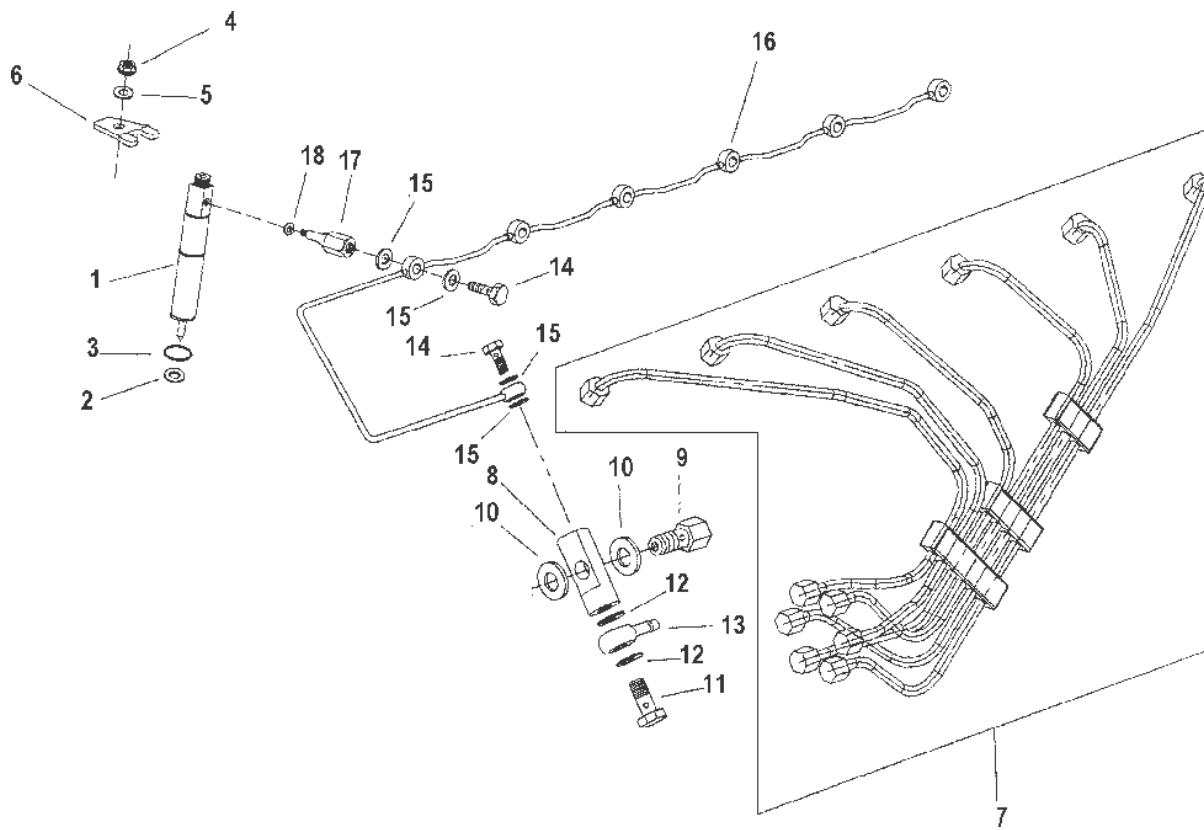
# INJECTION PUMP

Ref #	Part Class	Part Number	Description	Comments	Qty	Note
46	0011	815088	NUT (M8)		1	

**PART NOTES:**

[1] - PART IS NEW AND LISTED FOR THE FIRST TIME

# FUEL LINES AND NOZZLE



30584

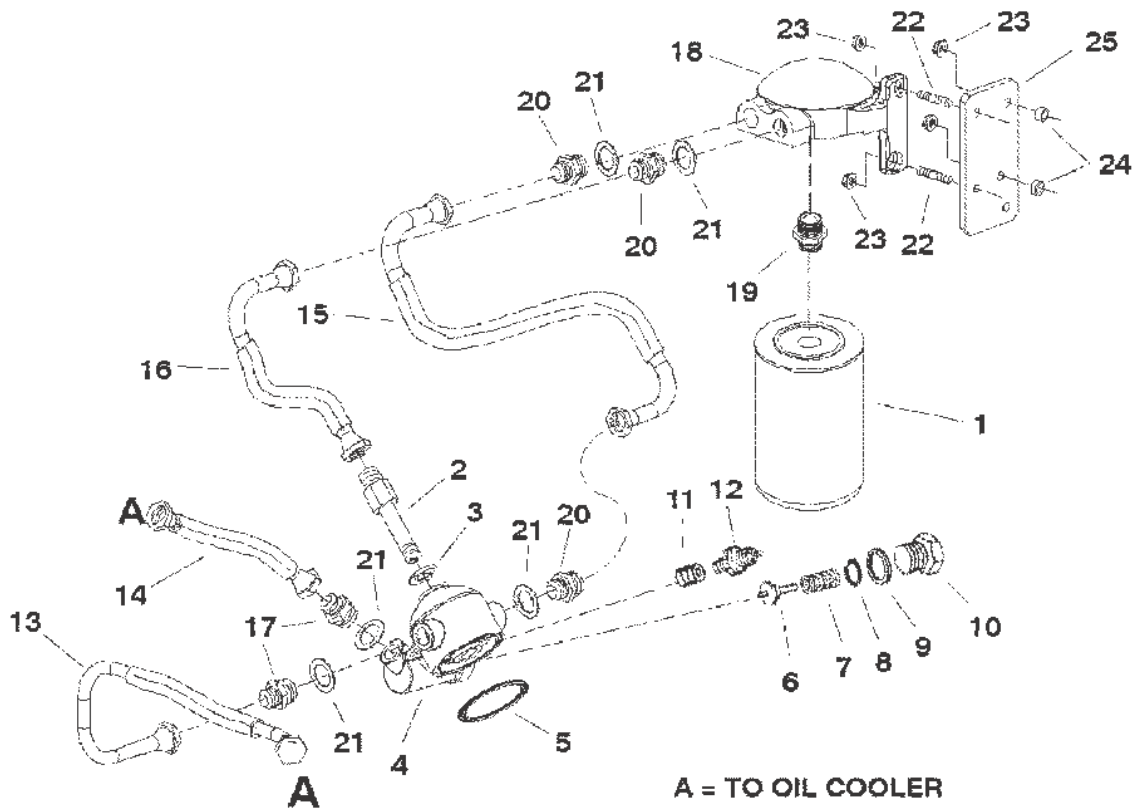
## FUEL LINES AND NOZZLE

Ref #	Part Class	Part Number	Description	Comments	Qty	Note
1	0000	854138	INJECTION NOZZLE		6	
2	0027	854142	GASKET		6	[1]
3	0025	854143	O-RING		6	[1]
4	0011	854037	NUT (M8)		6	
5	0012	811455	WASHER		6	
6	0000	854140	BRACKET		6	
7	0032	855383	PRESSURE PIPES ASSEMBLY		1	
8	0000	801761163	CONNECTOR Return		1	
9	0010	801761166	SCREW		1	[2]
10	0025	809963129	WASHER		2	
11	0010	811410	SCREW (M14)		1	[2]
12	0012	809963201	WASHER		2	
13	0000	801763843	FITTING		1	
14	0010	801761165	BOLT Banjo (M8 x 1.00)		7	
15	0025	809963042	O-RING		14	[1]
16	0032	880828	PIPE		1	
17	0022	879704	ADAPTER Injector Nozzle		6	
18	0012	811411	WASHER Sealing		6	[1]
-	0027	881742	GASKET SET Overhaul		1	
-	0027	881743	GASKET SET Cylinder Head		1	

## PART NOTES:

- [1] - COMPONENT OF OVERHAUL GASKET SET 881742  
COMPONENT OF CYL. HEAD GASKET SET 881743
- [2] - COMPONENT OF OVERHAUL GASKET SET 881742

# OIL FILTER AND OIL HOSES



30585

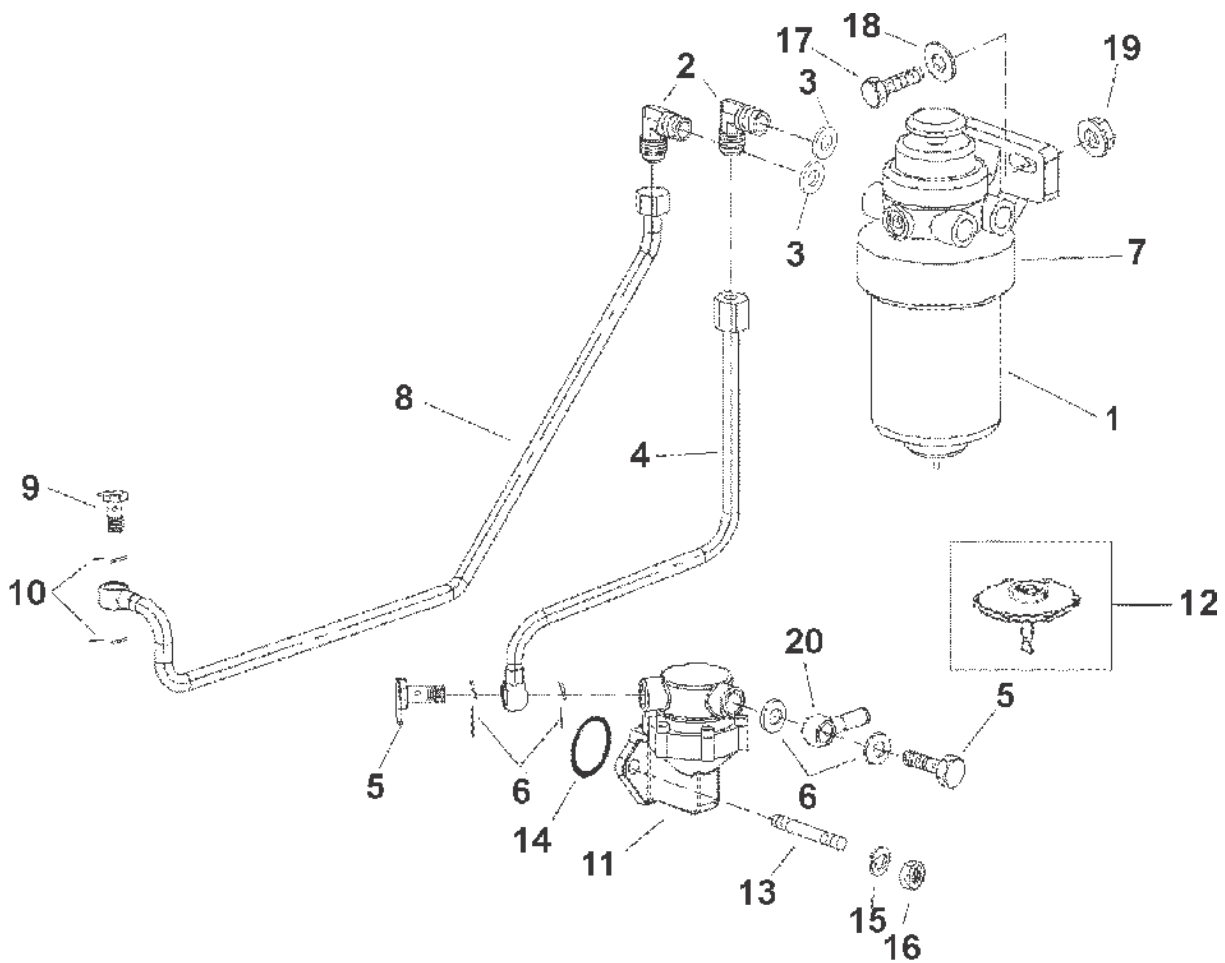
## OIL FILTER AND OIL HOSES

Ref #	Part Class	Part Number	Description	Comments	Qty	Note
1	0035	19485	FILTER		1	
2	0022	854145	FITTING		1	
3	0025	809963342	O-RING		1	
4	0000	854146	ADAPTER		1	
5	0025	805732	O-RING (2.612 x .103)		1	
6	0000	816163	THERMOSTAT		1	
7	0024	816162	SPRING		1	
8	0000	809963467	SEAL		1	
9	0025	98277	SEAL		1	
10	0022	8069481	PLUG		1	
11	0022	64013	FITTING (.375 Male To .125 Female)		1	
12	0087	817169	SWITCH		1	
13	0032	855487	HOSE		1	
14	0032	855488	HOSE Oil		1	
15	0032	854149	HOSE Oil		1	
16	0032	854150	HOSE Oil		1	
17	0022	854151	FITTING (M18)		2	
18	0000	854152	HEADER		1	
19	0022	854153	FITTING		1	
20	0022	854154	FITTING (M22)		3	
21	0012	809963354	WASHER		5	
22	0016	854156	STUD (M8 x 25)		2	
23	0011	854037	NUT (M8)		4	
24	0023	854157	SPACER		2	
25	0000	854158	PLATE	STERNDRIVE	1	
25	0000	880829	PLATE	INBOARD	1	[1]

## PART NOTES:

[1] - PART IS NEW AND LISTED FOR THE FIRST TIME

# FUEL FILTER



30586

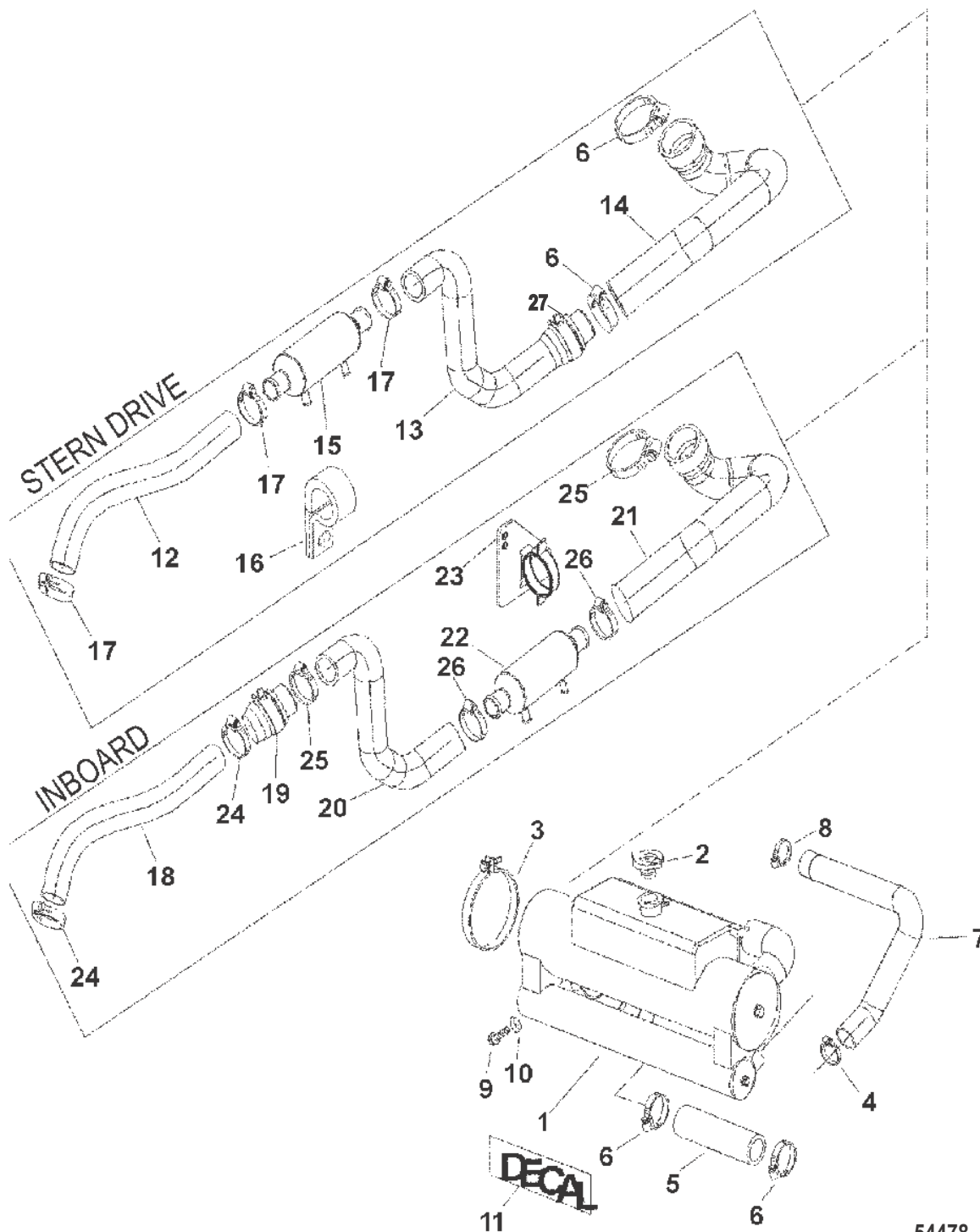
## FUEL FILTER

Ref #	Part Class	Part Number	Description	Comments	Qty	Note
1	0035	880830	FILTER Fuel		1	[1]
2	0022	880831	FITTING (90 Degree)		2	[1]
3	0012	880832	WASHER		2	
4	0032	880833	LINE Fuel		1	[1]
5	0010	811410	SCREW (M14)		2	
6	0012	809963201	WASHER		4	[2]
7	0035	880834	FUEL FILTER ASSEMBLY		1	[1]
8	0032	880835	LINE Fuel		1	[1]
9	0010	811401	BOLT Banjo (M12)		1	
10	0025	809963129	WASHER		2	[2]
11	0000	811416	PUMP ASSEMBLY Fuel		1	
12	0000	801333865	DIAPHRAGM		1	
13	0016	811383	STUD (M8 x 20)		2	
14	0025	854162	O-RING		1	[2]
15	0013	811418	LOCKWASHER		2	
16	0011	811417	NUT		2	
17	0010	854155	SCREW (M10 x 30)		2	
18	0012	811479	WASHER		2	
19	0011	854122	NUT (M10)		2	
20	0000	801763843	FITTING		1	
-	0027	881742	GASKET SET Overhaul		1	

## PART NOTES:

- [1] - PART IS NEW AND LISTED FOR THE FIRST TIME  
 [2] - COMPONENT OF OVERHAUL GASKET SET 881742

# HEAT EXCHANGER AND HOSES



54478



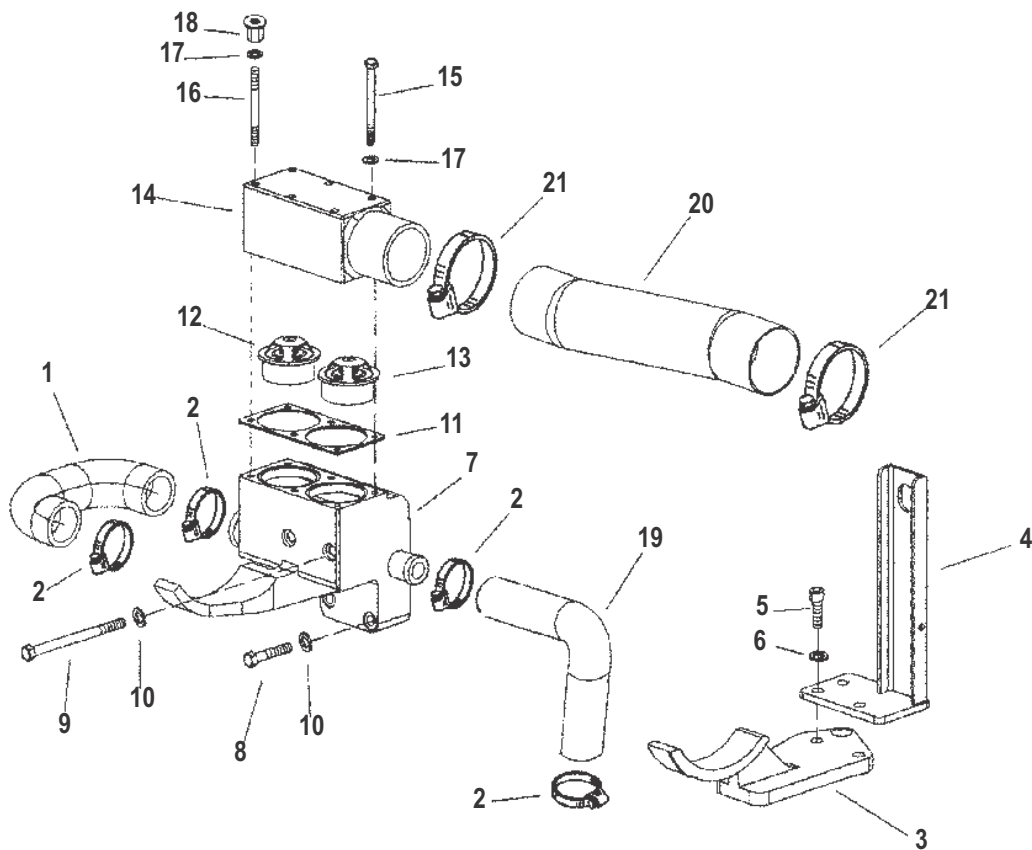
## HEAT EXCHANGER AND HOSES

Ref #	Part Class	Part Number	Description	Comments	Qty	Note
1	0000	807261	HEAT EXCHANGER		1	
2	0036	808108	CAP		1	
-	0097	806000	ANODE		1	
-	0010	88743	SCREW (.312-18 x .500)		2	
-	0000	806002A1	END CAP ASSEMBLY		2	
-	0027	806882	GASKET		2	
-	0010	846109	SCREW (.375-16 x .875)		2	
-	0000	860319A1	END COVER		2	
-	0027	806883	GASKET		2	
3	0054	855491	CLAMP		2	
4	0054	803620	CLAMP		1	
5	0032	805743	HOSE		1	
6	0054	815504232	CLAMP Worm Gear (2.50 Diameter)		2	
7	0032	805740	HOSE		1	
8	0054	815504228	CLAMP Worm Gear		1	
9	0010	809919131	SCREW (M22 x 1.5)		1	
10	0012	809963354	WASHER		1	[1]
11	0037	860621	DECAL		1	
12	0032	806548440	HOSE	STERN DRIVE	1	
13	0032	807423	HOSE	STERN DRIVE	1	
14	0032	807001	HOSE	STERN DRIVE	1	
15	0000	99356A2	COOLER ASSEMBLY	STERN DRIVE	1	
16	0054	18904	CLIP	STERN DRIVE	2	
17	0054	815504220	CLAMP Worm Gear	STERN DRIVE	4	
18	0032	855495	HOSE	MIE	1	
19	0000	855498	INSERT	MIE	1	
20	0032	855494	HOSE	MIE	1	
21	0032	855496	HOSE	MIE	1	
22	0000	855497	COOLER	MIE	1	
23	0054	855499	CLAMP ASSEMBLY	MIE	1	
24	0054	815504222	CLAMP Worm Gear (1.98 Diameter)	MIE	2	
25	0054	815504224	CLAMP Worm Gear	MIE	2	
26	0054	815504336	CLAMP Worm Gear	MIE	2	
27	0032	896332092	HOSE		1	
-	0027	881742	GASKET SET Overhaul		1	

## PART NOTES:

[1] - COMPONENT OF OVERHAUL GASKET SET 881742

# THERMOSTAT ASSEMBLY AND HOSES



12819

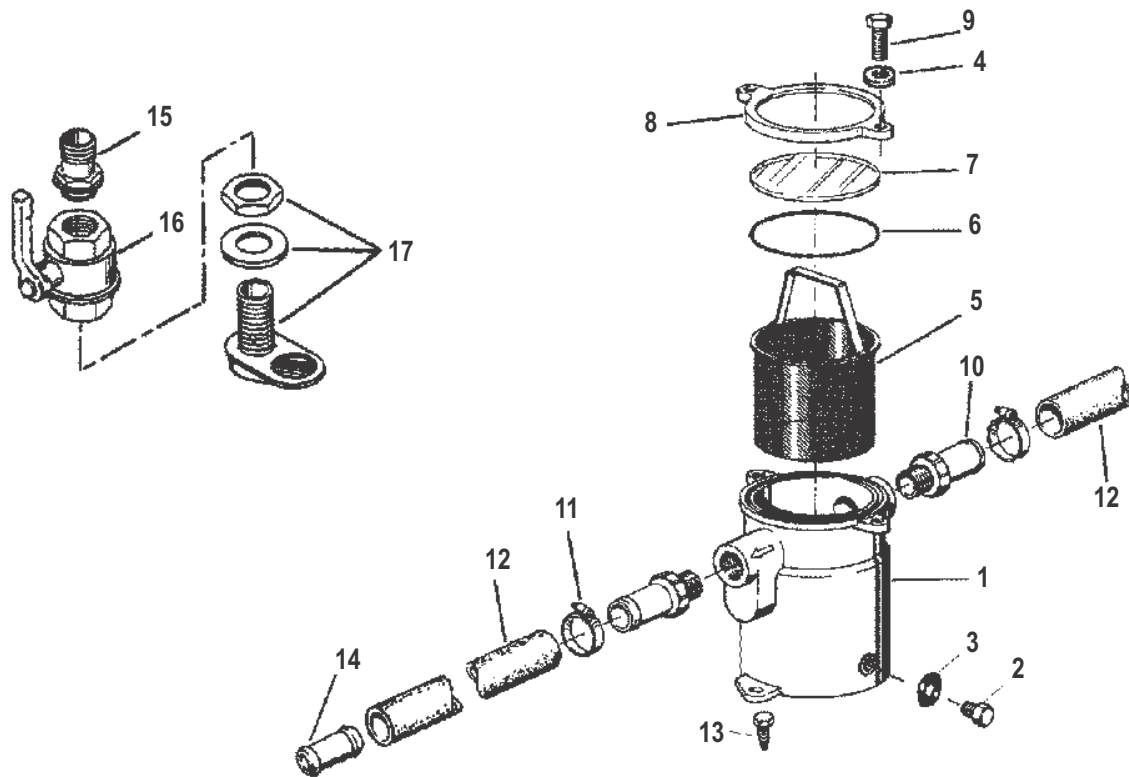
## THERMOSTAT ASSEMBLY AND HOSES

Ref #	Part Class	Part Number	Description	Comments	Qty	Note
1	0032	805741	HOSE		1	
2	0054	815504220	CLAMP Worm Gear		4	
3	0000	854164	BRACKET		1	
4	0000	854165	LIFTING EYE		1	
5	0010	854166	SCREW (M10 x 35)		3	
6	0013	400248	LOCKWASHER (M10)		3	
7	0000	805681	HOUSING		1	
8	0010	4000359	SCREW (M8 x 60)		2	
9	0010	4000363	SCREW (M8 x 100)		2	
10	0013	400257	LOCKWASHER (M8)		4	
11	0027	805723	GASKET		1	[1]
12	0000	805947T	THERMOSTAT 71°C (160°F)		1	
13	0000	805948	THERMOSTAT 82°C (180°F)		1	
14	0000	854168	COVER		1	
15	0010	4000338	SCREW (M6 x 78)		5	
16	0016	854169	STUD (M6 x 75)		1	
17	0013	400256	LOCKWASHER (M6)		6	
18	0023	854170	SPACER		1	
19	0032	805744	HOSE		1	
20	0032	805739	HOSE		1	
21	0054	815504348	CLAMP Worm Gear		2	
-	0027	881742	GASKET SET Overhaul		1	

## PART NOTES:

[1] - COMPONENT OF OVERHAUL GASKET SET 881742

# SEAWATER FILTER

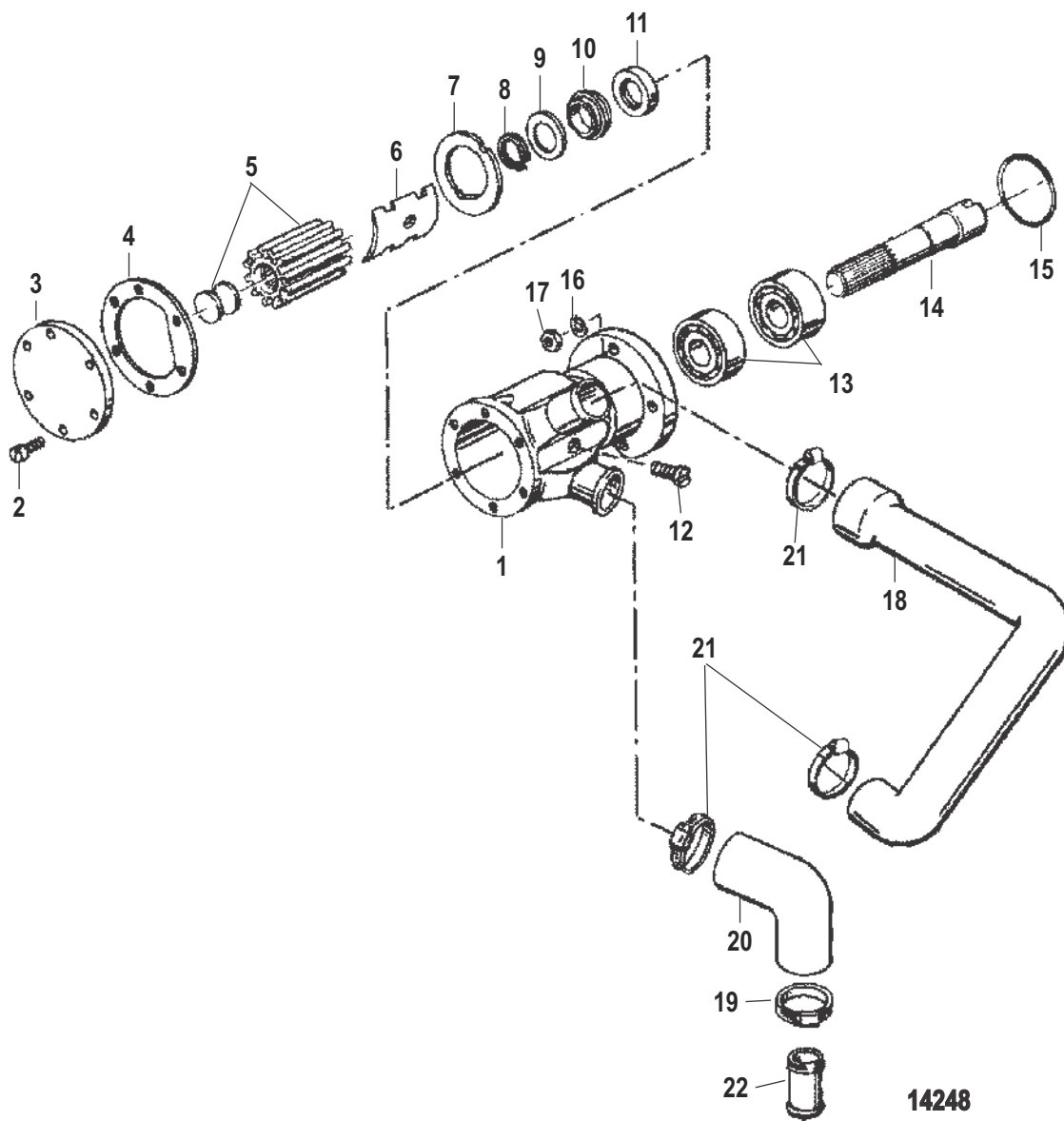


14246

## SEAWATER FILTER

Ref #	Part Class	Part Number	Description	Comments	Qty	Note
1	0035	860603	FILTER	(4 BOLT COVER)	1	
2	0010	801763853	PLUG		1	
3	0012	809963201	WASHER		1	
4	0013	809930840	LOCKWASHER		4	
5	0000	801763855	ELEMENT		1	
6	0025	801763856	O-RING		1	
7	0000	801763857	WINDOW		1	
8	0000	881744	COVER		1	
9	0010	801763859	SCREW		4	
10	0022	816339	NOZZLE		2	
11	0054	815504228	CLAMP Worm Gear		4	
12	0032	816172	HOSE		2	
13	0010	85181	BOLT		2	
14	0032	806291	REDUCER		1	
15	0022	818172	CONNECTOR	INBOARD	1	
16	0020	818171T	VALVE	INBOARD	1	
17	0022	818170T	FITTING	INBOARD	1	

# SEAWATER PUMP

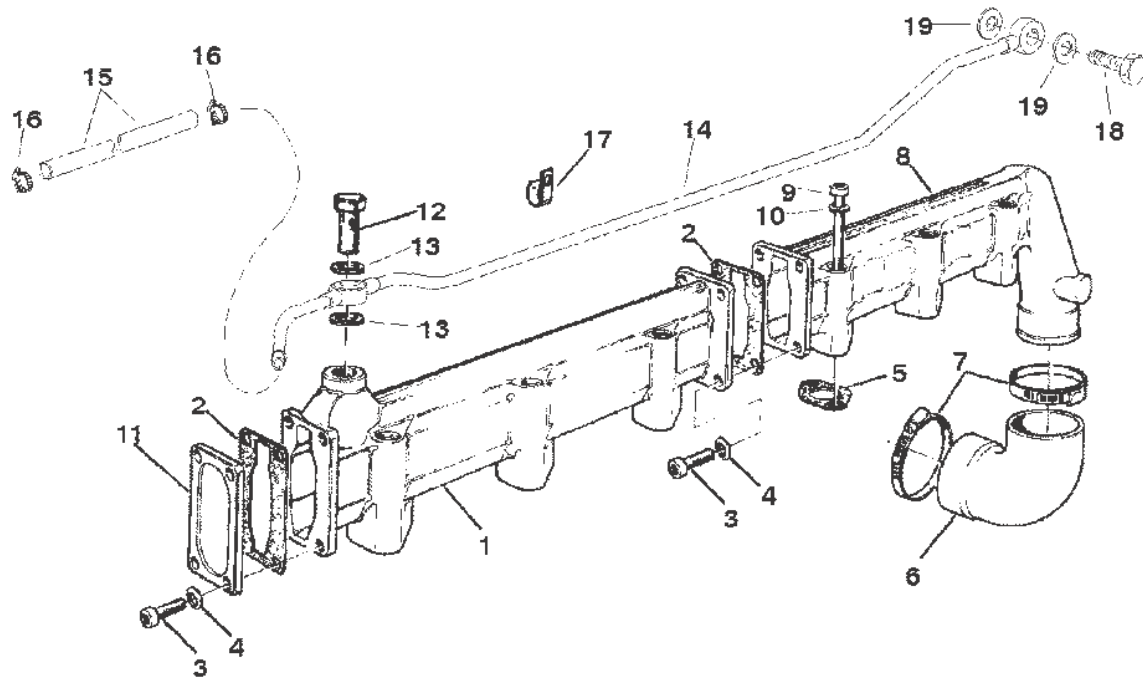


14248

## SEAWATER PUMP

Ref #	Part Class	Part Number	Description	Comments	Qty	Note
1	0046	816248	PUMP ASSEMBLY		1	
2	0010	801332608	SCREW		6	
3	0000	801332607	COVER		1	
4	0027	801332606	GASKET		1	
5	0047	816814T	IMPELLER		1	
6	0000	816813	CAM		1	
7	0012	801332601	WEAR PLATE		1	
8	0053	816815	RING		1	
9	0023	816816	SPACER		1	
10	0000	816817	SEAL		1	
11	0026	816818	SEAL		1	
12	0010	801332604	SCREW		1	
13	0030	816819	BEARING		2	
14	0000	816820	SHAFT		1	
15	0025	801333850	O-RING		1	
16	0013	811418	LOCKWASHER		4	
17	0011	811417	NUT		4	
18	0032	805017	HOSE		1	
19	0054	815504220	CLAMP Worm Gear		1	
20	0032	816174A1	HOSE		1	
21	0054	815504232	CLAMP Worm Gear (2.50 Diameter)		3	
22	0032	816173	HOSE Reducer		1	

# MANIFOLD STRIP



30588



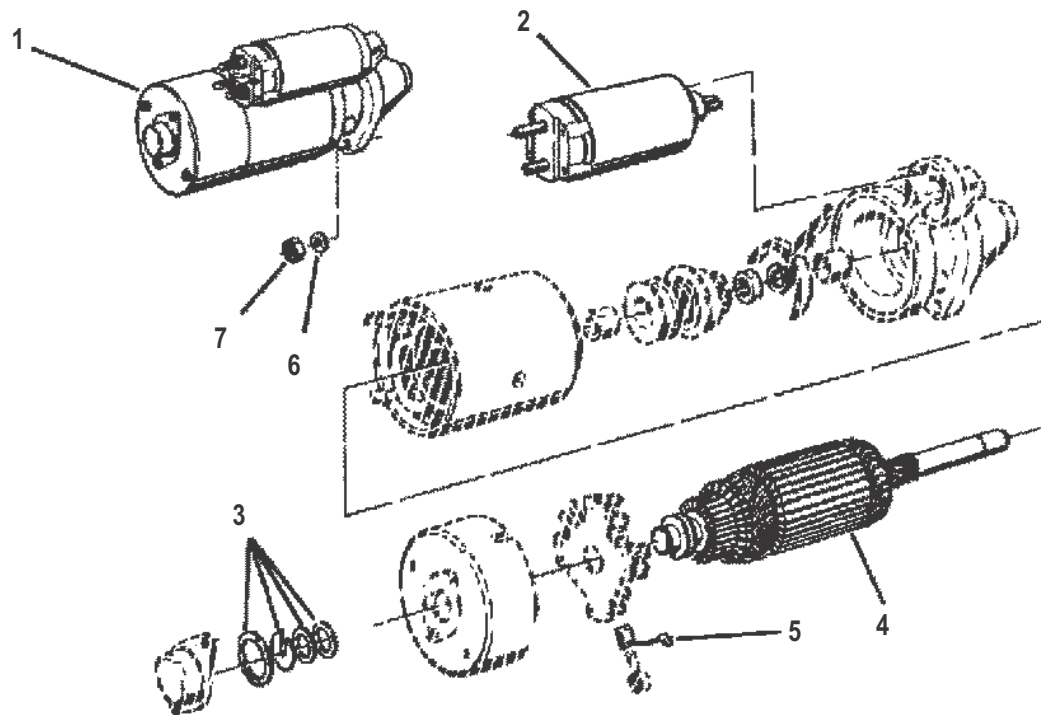
## MANIFOLD STRIP

Ref #	Part Class	Part Number	Description	Comments	Qty	Note
1	0000	816785	STRIP Manifold (FRONT)		1	
2	0027	854171	GASKET		2	[1]
3	0010	809919781	SCREW (M6 x 18)		8	
4	0012	811450	WASHER		8	
5	0027	854172	GASKET		6	[2]
6	0010	879714	SCREW (M6 x 80)		1	
7	0054	801333457	CLAMP		2	
8	0000	879712	RAIL Water (REAR)		1	
9	0010	879714	SCREW (M6 x 80)		12	
10	0012	811437	WASHER		12	
11	0000	811432	COVER		1	
12	0010	811401	BOLT Banjo (M12)		1	
13	0025	809963129	WASHER		2	[1]
14	0032	804702	PIPE		1	
15	0032	854176	HOSE		1	
16	0054	854177	CLAMP		2	
17	0054	814634	CLAMP		1	
18	0010	801333874	SCREW Banjo (M10)		1	
19	0012	809963072	WASHER		2	[1]
-	0027	881742	GASKET SET Overhaul		1	
-	0027	881743	GASKET SET Cylinder Head		1	

## PART NOTES:

- [1] - COMPONENT OF OVERHAUL GASKET SET 881742  
 [2] - COMPONENT OF OVERHAUL GASKET SET 881742  
 COMPONENT OF CYL. HEAD GASKET SET 881743

# STARTER MOTOR



14250

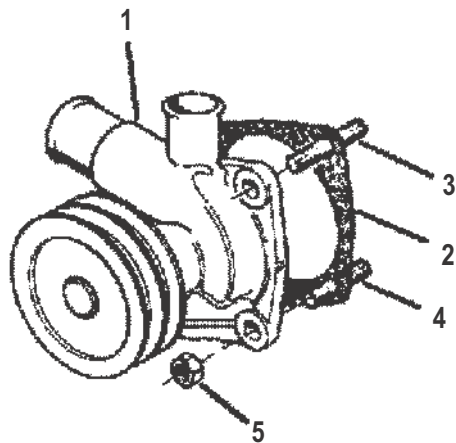
## STARTER MOTOR

Ref #	Part Class	Part Number	Description	Comments	Qty	Note
1	0050	854178	STARTER MOTOR ASSEMBLY		1	
2		NSS	NOT SOLD SEPARATE Engaging Relay		1	[1]
3		NSS	NOT SOLD SEPARATE Parts Set Armature		1	[1]
4		NSS	NOT SOLD SEPARATE Armature		1	[1]
5		NSS	NOT SOLD SEPARATE Brush Set		1	[1]
6	0013	811408	LOCKWASHER		2	
7	0011	811458	NUT		2	

## PART NOTES:

[1] - NOT SOLD SEPARATE

WATER PUMP



14251

Cat.# 90-880818

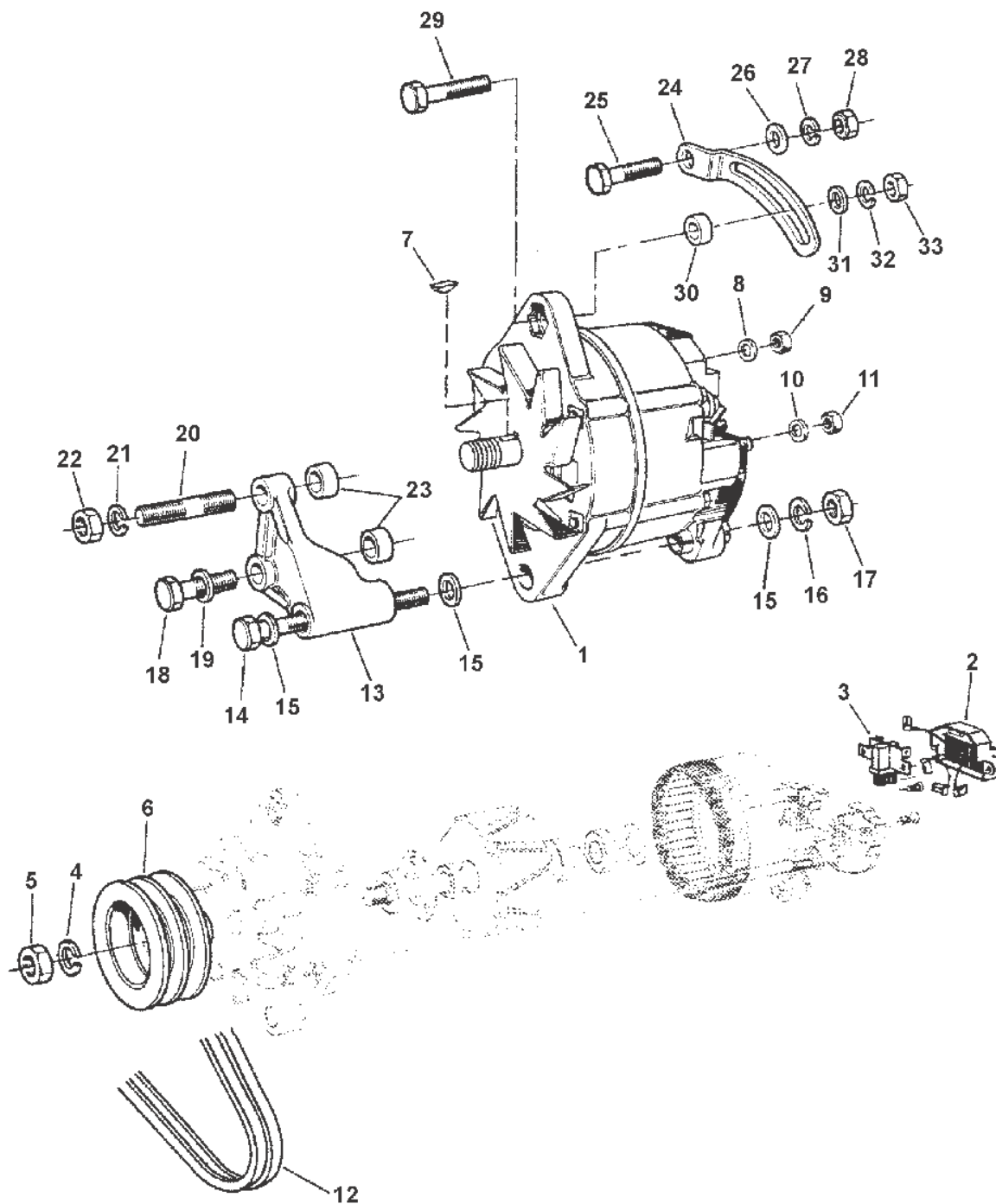
## WATER PUMP

Ref #	Part Class	Part Number	Description	Comments	Qty	Note
1	0000	854179	PUMP		1	
2	0027	801333441	GASKET		1	[1]
3	0016	811472	STUD (M8 x 55)		2	
4	0016	854156	STUD (M8 x 25)		2	
5	0011	854037	NUT (M8)		4	
-	0027	881742	GASKET SET Overhaul		1	

**PART NOTES:**

[1] - COMPONENT OF OVERHAUL GASKET SET 881742

# ALTERNATOR AND MOUNTING HARDWARE

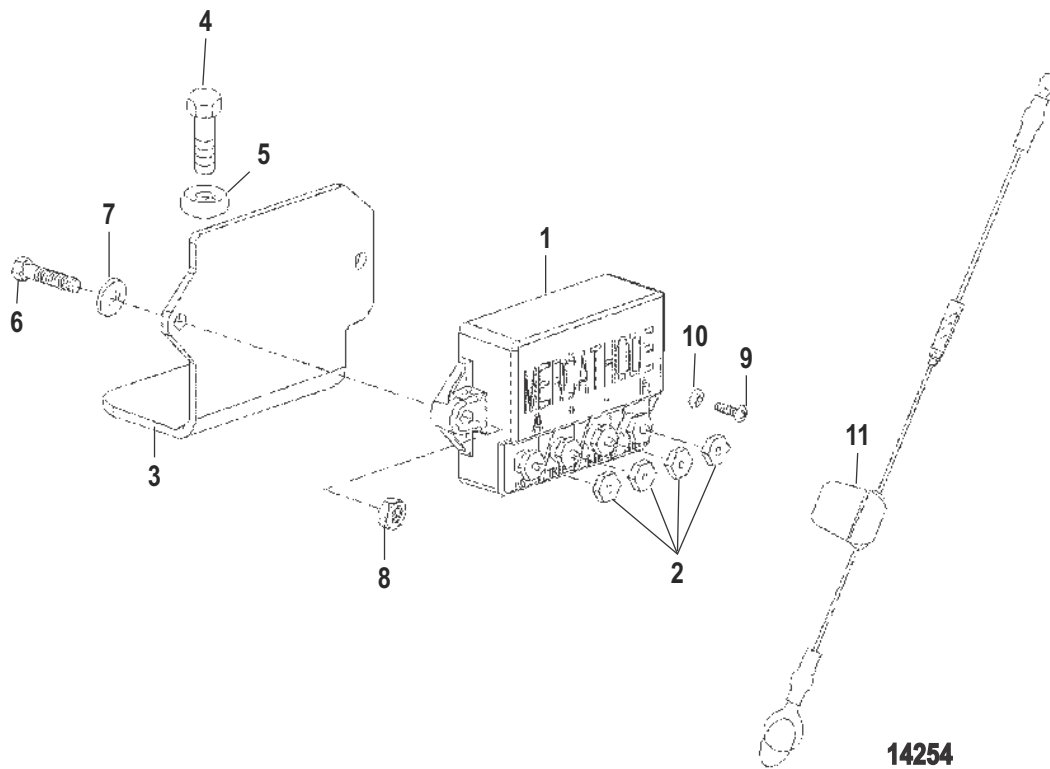


30589

## ALTERNATOR AND MOUNTING HARDWARE

Ref #	Part Class	Part Number	Description	Comments	Qty	Note
1	0000	816175	ALTERNATOR		1	
2	0000	811505	REGULATOR		1	
3	0000	811521	HOLDER Brush		1	
4	0013	809933149	LOCKWASHER		1	
5	0011	809921631	NUT		1	
6	0000	816539	PULLEY		1	
7	0028	809951453	KEY		1	
8	0012	809931036	WASHER		2	
9	0011	809922038	NUT		2	
10	0013	809931076	LOCKWASHER		2	
11	0011	809922800	NUT		2	
12	0057	64032A1	V BELT		2	
13	0000	816542	BRACKET		1	
14	0010	816454	SCREW		1	
15	0012	16072	WASHER		3	
16	0013	400249	LOCKWASHER		1	
17	0011	809922133	NUT		1	
18	0010	811476	SCREW		1	
19	0012	811480	WASHER		1	
20	0016	811475	STUD		1	
21	0013	811482	LOCKWASHER		1	
22	0011	811478	NUT		1	
23	0000	816543	SPACER		2	
24	0000	816540	BRACE		1	
25	0010	811477	SCREW		1	
26	0012	811479	WASHER		1	
27	0013	811481	LOCKWASHER		1	
28	0011	854122	NUT (M10)		1	
29	0010	40001197	SCREW (M10 x 35)		1	
30	0000	816541	SPACER		1	
31	0012	809931332	WASHER		1	
32	0013	400248	LOCKWASHER (M10)		1	
33	0011	400214	NUT (M10) Stainless Steel		1	

# MERCATHODE (STERN DRIVE)

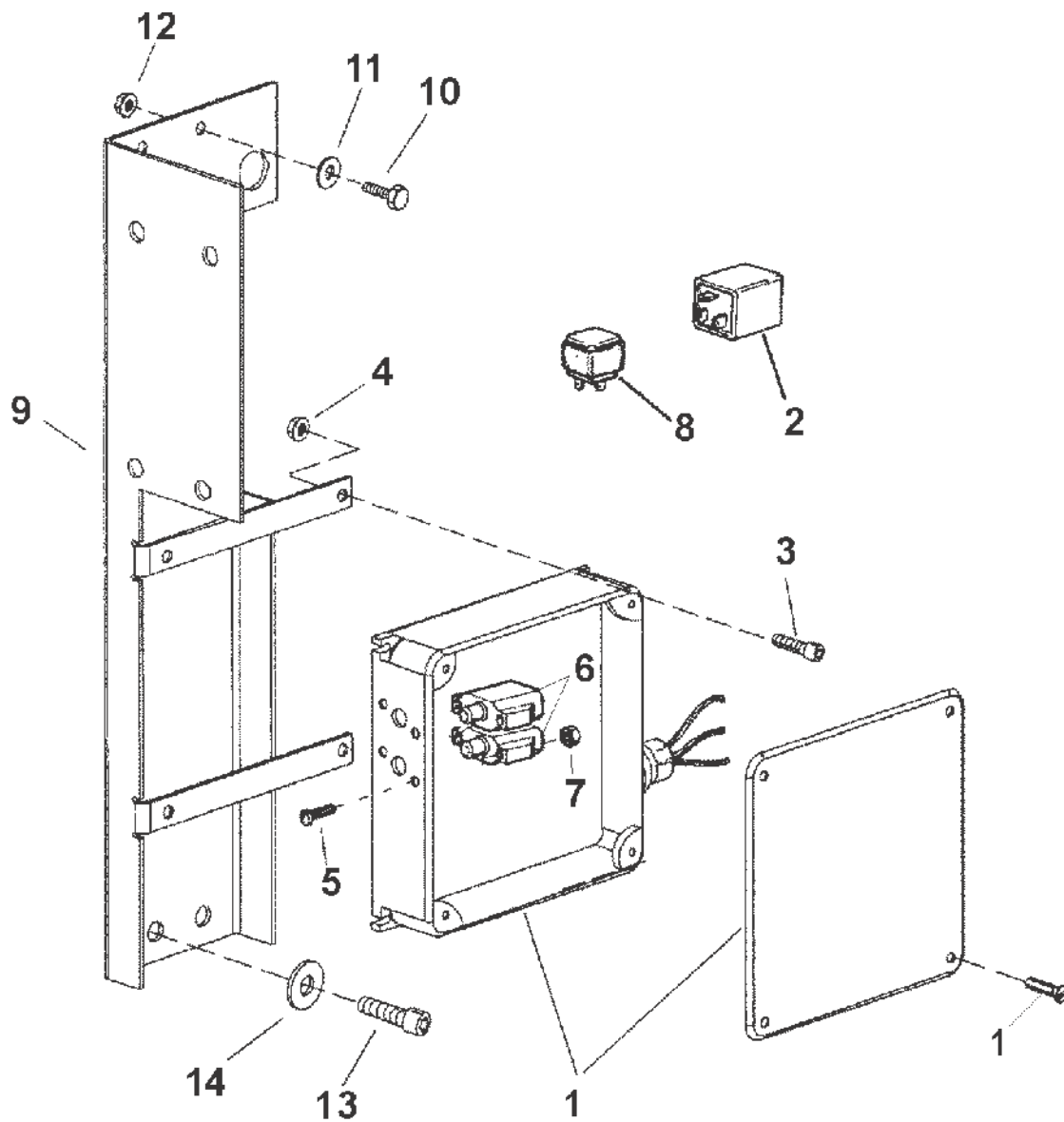




## MERCATHODE (STERN DRIVE)

Ref #	Part Class	Part Number	Description	Comments	Qty	Note
1	0000	42600A3	CONTROLLER ASSEMBLY		1	
2	0011	68219	NUT (#10-32) Stainless Steel		4	
3	0000	807286T	BRACKET		1	
4	0010	40001188	SCREW (M10 x 20)		1	
5	0012	4002220	WASHER		1	
6	0010	4000116	SCREW (M5 x 20)		2	
7	0012	809931036	WASHER		2	
8	0011	855385	NUT (M5)		2	
9	0010	62568	SCREW (#10-16 x .375)		1	
10	0012	30164	WASHER (.192 x .375 x .0312) Stainless Steel		2	
11	0084	803625	FUSE ASSEMBLY		1	
-	0088	812619	FUSE Yellow - 20 Ampere		1	

# ELECTRICAL BOX AND COMPONENTS



30591

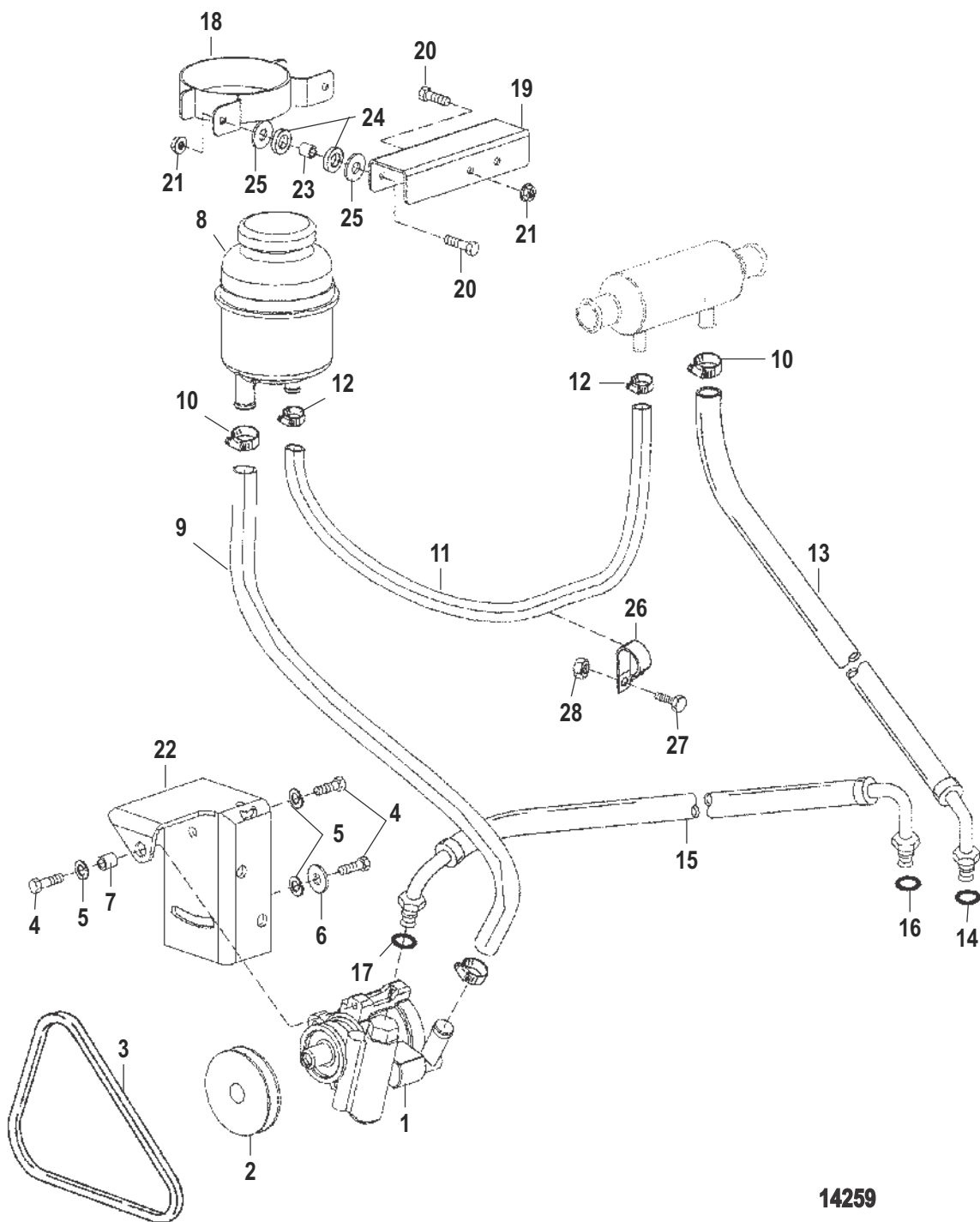
## ELECTRICAL BOX AND COMPONENTS

Ref #	Part Class	Part Number	Description	Comments	Qty	Note
1		NSS	NOT SOLD SEPARATE Electrical Box		1	[1]
2	0087	855391	POWER RELAY		1	
2	0087	855391	POWER RELAY		2	
3	0010	809919926	SCREW (M6 x 25)		4	
4	0011	854032	NUT (M6)		4	
5	0010	854104	SCREW (M5 x 20)		4	
6	0088	801329978	BREAKER Circuit		2	
7	0011	855385	NUT (M5)		4	
8	0087	855386	POWER RELAY		1	
NS	0000	821509	RELAY		1	
9	0000	880837	BRACKET		1	
10	0010	854113	SCREW (M6 x 14)		2	
11	0012	4002217	WASHER		2	
12	0011	854032	NUT (M6)		2	
13	0010	811457	SCREW (M10 x 35)		2	
14	0012	811459	WASHER		2	
-	0084	860614	HARNESS ASSEMBLY Engine		1	

## PART NOTES:

[1] - NOT SOLD SEPARATE

# POWER STEERING COMPONENTS (STERN DRIVE)

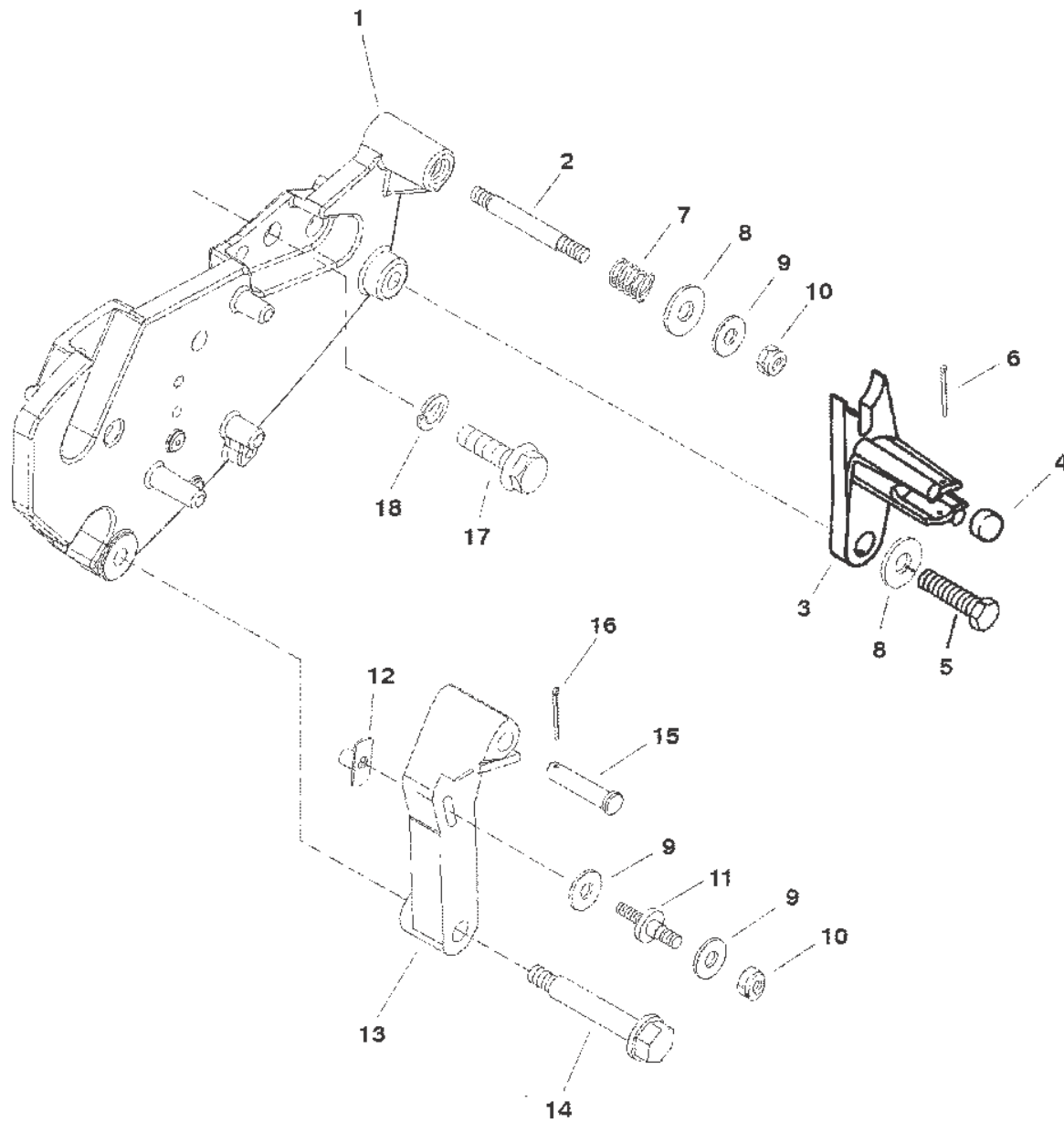


14259

## POWER STEERING COMPONENTS (STERN DRIVE)

Ref #	Part Class	Part Number	Description	Comments	Qty	Note
1	0000	18825A2	PUMP ASSEMBLY		1	
2	0000	801763349	PULLEY		1	
3	0057	816177	V BELT		1	
4	0010	809913657	SCREW (M8 x 25)		3	
5	0013	400247	LOCKWASHER (M8)		3	
6	0012	4002318	WASHER		1	
7	0023	12009	BUSHING (.31 x .45 x .50)		1	
8	0000	801124680	TANK Power Steering Oil Reservoir		1	
9	0032	816689260	HOSE		1	
10	0054	801326638	CLAMP		3	
11	0032	807935	HOSE		1	
12	0054	809952104	CLAMP		2	
13	0032	80622142	HOSE ASSEMBLY (84.00 Inches Bulk) Return		1	
14	0025	89879	O-RING (.301 x .064)		1	
15	0032	80622216	HOSE		1	
16	0025	89879	O-RING (.301 x .064)		1	
17	0025	806232	O-RING (.239 x .064)		1	
18	0000	855387	SUPPORT		1	
19	0000	855388	BRACKET		1	
20	0010	854118	SCREW (M8 x 20)		3	
21	0011	854037	NUT (M8)		3	
22	0000	816340	BRACKET		1	
23	0023	854021	SPACER		2	
24	0025	854020	GROMMET		4	
25	0012	811455	WASHER		4	
26	0054	803627	CLIP		1	
27	0010	855511	SCREW (M6 x 20)		1	
28	0011	854032	NUT (M6)		1	

# SHIFT BRACKET

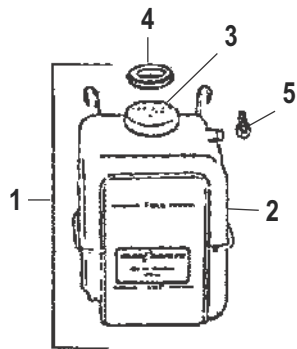


30592

## SHIFT BRACKET

Ref #	Part Class	Part Number	Description	Comments	Qty	Note
1	0000	807962A3	BRACKET ASSEMBLY Shift		1	
2	0016	987981	STUD (.250-20/.250-28 x 2.120)		1	
3	0000	123811	RETAINER		1	
4	0023	98828	SPACER		1	
5	0010	53167	SCREW (.312-18 x .880)		1	
6	0018	32857	COTTER PIN		1	
7	0024	98880	SPRING		1	
8	0012	56720	WASHER (.330 x .750 x .060) Stainless Steel		2	
9	0012	35462	WASHER (.2656 x .625 x .0625) Stainless Steel		5	
10	0011	13438	NUT (.250-28)		2	
11	0016	96112	STUD (.250-28 x 2.00) Throttle Cable Anchor		1	
12	0011	63341	TEE NUT		1	
13	0000	138981	LEVER		1	
14	0010	13743	SCREW (.312-18 x 1.843) Shoulder		1	
15	0017	68402	PIN (.250 x 1.13)		1	
16	0018	21071	COTTER PIN		1	
17	0010	854118	SCREW (M8 x 20)		2	
18	0013	811460	LOCKWASHER		2	

# COOLANT RECOVERY



**14262**



**COOLANT RECOVERY**

<b>Ref #</b>	<b>Part Class</b>	<b>Part Number</b>	<b>Description</b>	<b>Comments</b>	<b>Qty</b>	<b>Note</b>
1	0000	71587A10	RECOVERY KIT Coolant		1	
2	0000	71587A11	BOTTLE Plastic		1	
3	0000	72058	CAP		1	
4	0027	71614	GASKET		1	
5	0010	85181	BOLT		2	
6	0032	1983389	HOSE		1	

PRIMARY STATION INSTRUMENTATION

## PRIMARY STATION INSTRUMENTATION

Ref #	Part Class	Part Number	Description	Comments	Qty	Note
-	0000	806385	PANEL		1	
-	0067	831424A2	LIGHT BULB		A/R	
-	0067	831424	LIGHT BULB		A/R	
-	0087	805678	KEY SWITCH		1	
-	0087	805675A1	TOGGLE SWITCH		1	
-	0087	805676A1	SWITCH		1	
-	0079	817033A1	TRIM GAUGE KIT		1	
-	0079	817032A1	BATTERY GAUGE KIT		1	
-	0079	805288A1	GAUGE KIT Water Temperature		1	
-	0079	805287A1	OIL PRESSURE GAUGE KIT		1	
-	0079	805289A1	TACHOMETER GAUGE KIT		1	
-	0079	818163A1	CRUISELOG GAUGE KIT		1	
-	0000	817315	BEZEL		1	
-	0000	817311	BEZEL (TACHOMETER)		1	
-	0000	817309	BRACKET		1	
-	0000	817308	BRACKET (TACHOMETER)		1	
-	0011	26419	NUT (#8-32) Brass		6	
-	0084	860618	HARNESS ASSEMBLY Instrument		1	
-	0084	881745	DIODE		1	[1]
-	0084	860616	HARNESS ASSEMBLY (23 Feet)		1	

## PART NOTES:

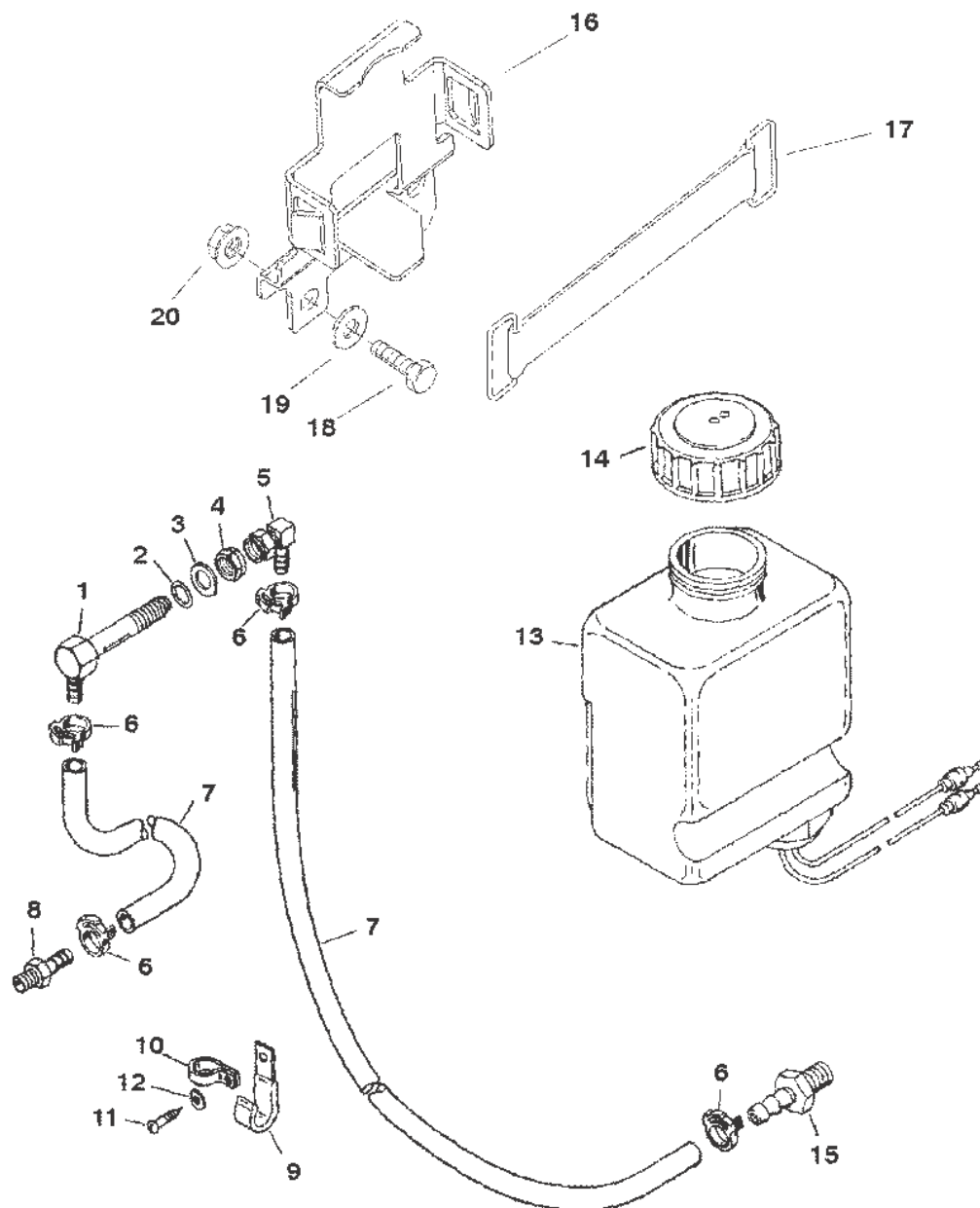
[1] - PART IS NEW AND LISTED FOR THE FIRST TIME

SECONDARY STATION INSTRUMENTATION

**SECONDARY STATION INSTRUMENTATION**

<b>Ref #</b>	<b>Part Class</b>	<b>Part Number</b>	<b>Description</b>	<b>Comments</b>	<b>Qty</b>	<b>Note</b>
-	0000	806386	PANEL		1	
-	0087	805675A1	TOGGLE SWITCH		1	
-	0087	805676A1	SWITCH		1	
-	0087	805676A1	SWITCH		1	
-	0084	860618	HARNESS ASSEMBLY Instrument		1	
-	0084	860615	HARNESS ASSEMBLY (13 Feet)		1	
-	0084	860617	HARNESS ASSEMBLY		1	
-	0000	49734	SENDER		1	
-	0000	805268	SENDER		1	

# OIL RESERVOIR COMPONENTS (STERN DRIVE)



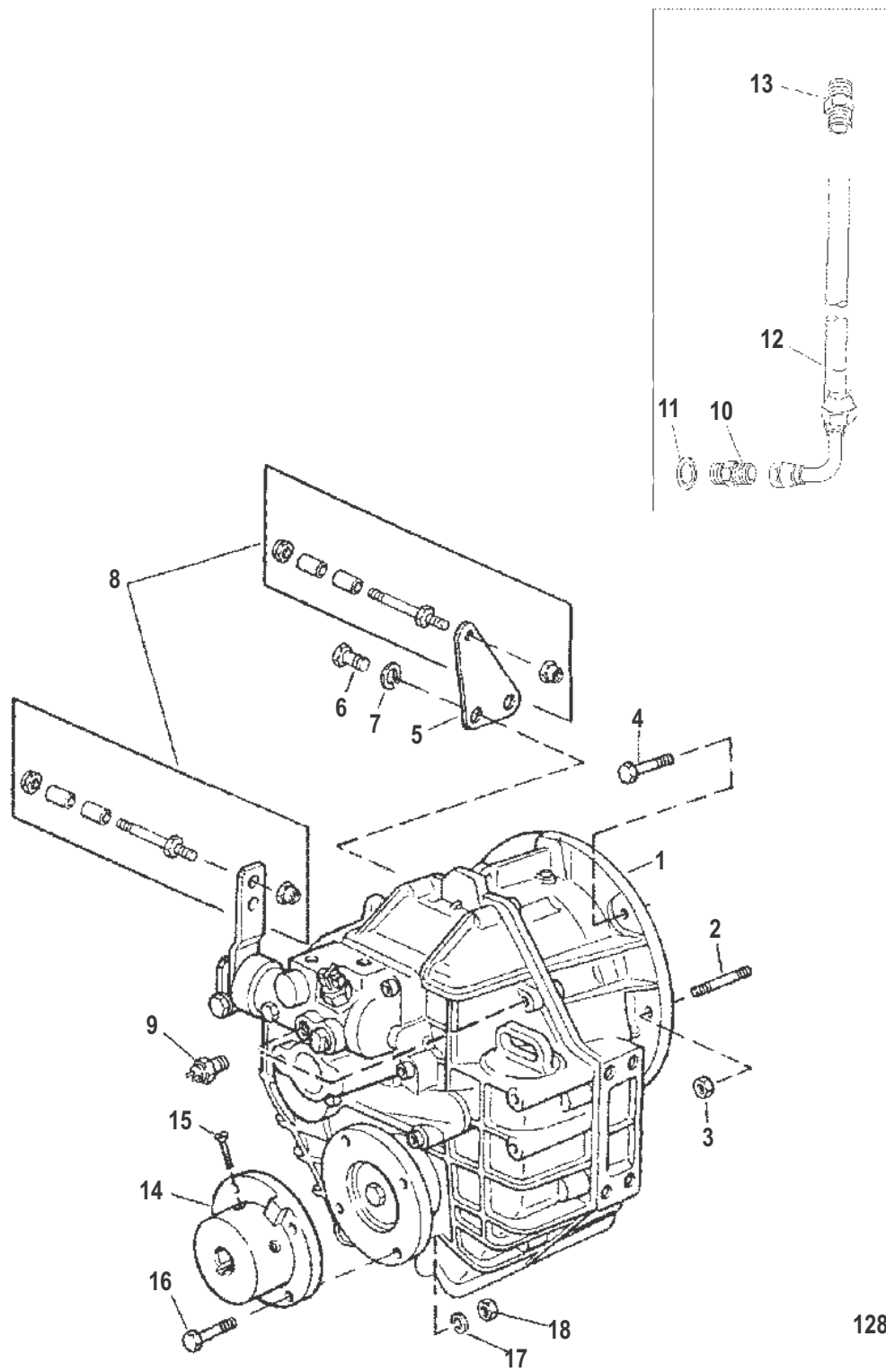
30593

## OIL RESERVOIR COMPONENTS (STERN DRIVE)

Ref #	Part Class	Part Number	Description	Comments	Qty	Note
1	0022	18922	CONNECTOR		1	
2	0025	201951	O-RING (.487 x .103)		1	
3	0012	861854	WASHER (.453 x .750 x .032) Stainless Steel		1	
4	0011	35053	NUT (.437-20)		1	
5	0022	18923	FITTING		1	
6	0054	415825	CLAMP Nylon		4	
7	0032	1940971	HOSE (54.00 Inches Bulk)		2	
8	0022	16739	CONNECTOR		1	
9	0054	642351	J CLIP		1	
10	0054	23567	CLIP		1	
11	0010	60605	SCREW (#10-16 x .750)		1	
12	0000	69205	C WASHER		1	
13	0000	806193A3	RESERVOIR ASSEMBLY Oil		1	
14	0036	808625	CAP Drive Lube Monitor Oil Bottle		1	
15	0022	808624	CONNECTOR		1	
16	0000	860065A1	BRACKET KIT Oil Bottle		1	
17	0000	808023T	STRAP Bracket		1	
18	0010	854155	SCREW (M10 x 30)		2	
19	0012	811479	WASHER		2	
20	0011	854122	NUT (M10)		2	

## OIL RESERVOIR COMPONENTS (STERN DRIVE)

# TRANSMISSION & RELATED PARTS (INBOARD)



12832

**RESOURCE NOTES:**

**TRANSMISSION & RELATED PARTS (INBOARD)**



## TRANSMISSION &amp; RELATED PARTS (INBOARD)

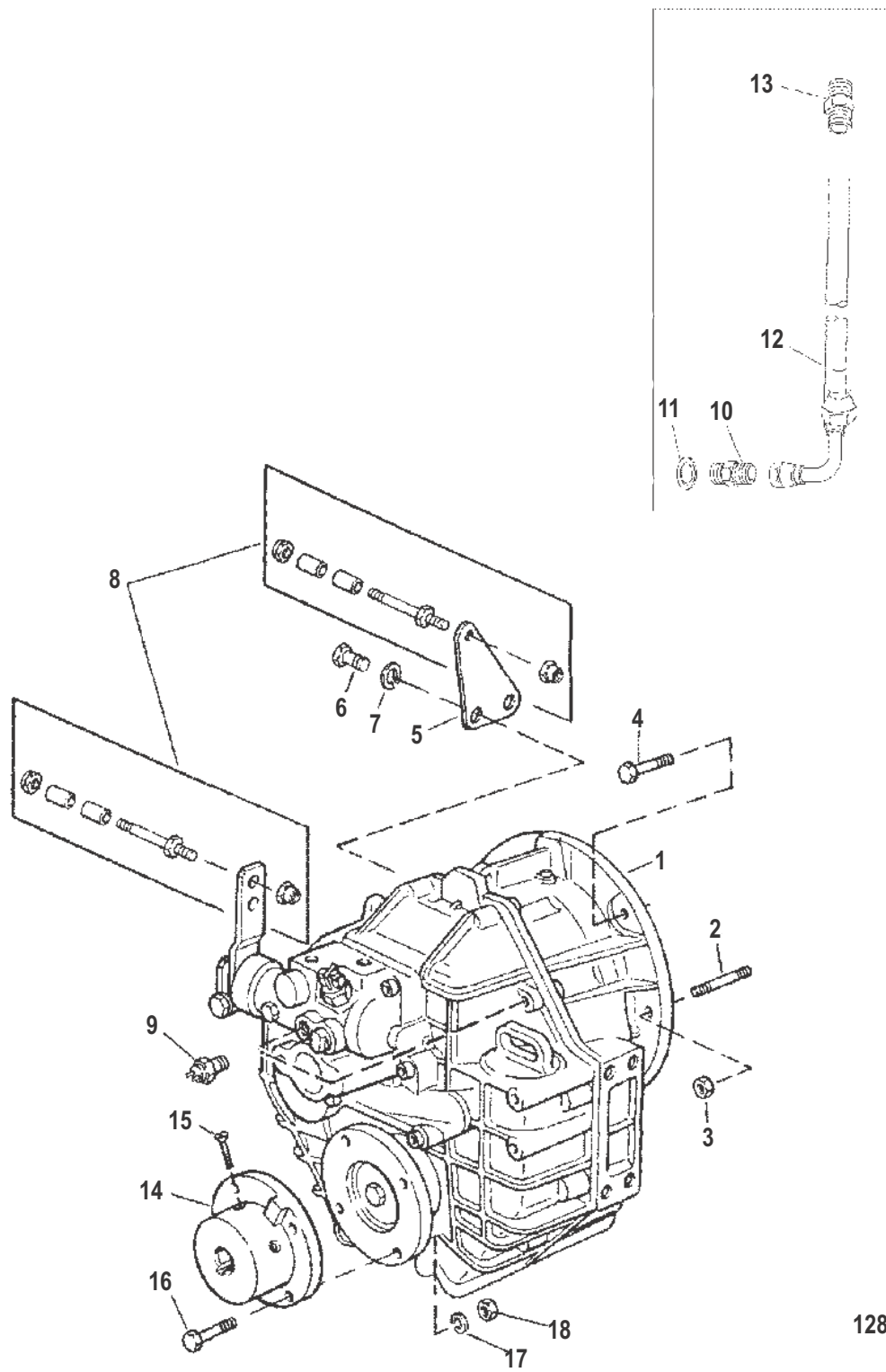
Ref #	Part Class	Part Number	Description	Comments	Qty	Note
1	0000	18900A1	TRANSMISSION (1.5:1 Ratio)	DOWN ANGLE	1	[1]
1	0000	18901A1	TRANSMISSION (2.0:1 Ratio)	DOWN ANGLE	1	[2]
1	0000	18902A1	TRANSMISSION (2.5:1 Ratio)	DOWN ANGLE	1	[3]
1	0000	814437A1	TRANSMISSION (1.5:1 Ratio)	V-DRIVE	1	[4]
1	0000	814438A1	TRANSMISSION (2.0:1 Ratio)	V-DRIVE	1	[5]
1	0000	814439A1	TRANSMISSION (2.5:1 Ratio)	V-DRIVE	1	[6]
2	0016	910002	STUD		2	
3	0011	809922113	NUT	(REFER TO NOTE 1)	2	
4	0010	809913837	SCREW	(REFER TO NOTE 1)	2	
5	0000	806238	BRACKET		1	
6	0010	809919969	SCREW		2	
7	0013	400247	LOCKWASHER (M8)		2	
8	0016	97477A3	STUD KIT		2	
9	0087	88031	SWITCH ASSEMBLY		1	[7]
10	0022	855517	ELBOW Transmission		2	[7]
11	0012	855516	WASHER		2	[7]
12	0032	855518	HOSE Oil (85 cm)		1	[7]
12	0032	855519	HOSE Oil (93 cm)		1	[7]
13	0022	803174	ELBOW Transimssion Oil Cooler		2	
14	0000	79476A1	FLANGE ASSEMBLY (5.00 x 1.00)		OPT	[8]
14	0000	79476A2	FLANGE ASSEMBLY (5.00 x 1.125)		OPT	[8]
14	0000	79476A3	FLANGE ASSEMBLY (5.00 x 1.25)		OPT	[8]
14	0000	79476A4	FLANGE ASSEMBLY (5.00 x 1.375)		OPT	[8]
14	0000	79476A5	FLANGE ASSEMBLY (5.00 x 1.50)		OPT	[8]
14	0000	79476A6	FLANGE ASSEMBLY (5.00 x 1.75)		OPT	[8]
14	0000	79476A7	FLANGE ASSEMBLY (5.00 x 2.00)		OPT	[8]
15	0010	60171	SCREW (.375-16 x 1.250)		2	
15	0010	60169	SCREW (.375-16 x .750)		2	
16	0010	805159	SCREW (.437-20 x 1.500)		4	
17	0013	32993	LOCKWASHER (.437)		4	
18	0011	22024	NUT (.437-14)		4	

## PART NOTES:

- [1] - Alternate part numbers:  
18900A 1QS  
863744R02Reman
- [2] - Alternate part numbers:  
18901A 1QS  
863744R03Reman
- [3] - Alternate part numbers:  
18902A 1QS  
863744R04Reman

## TRANSMISSION &amp; RELATED PARTS (INBOARD)

# TRANSMISSION & RELATED PARTS (INBOARD)

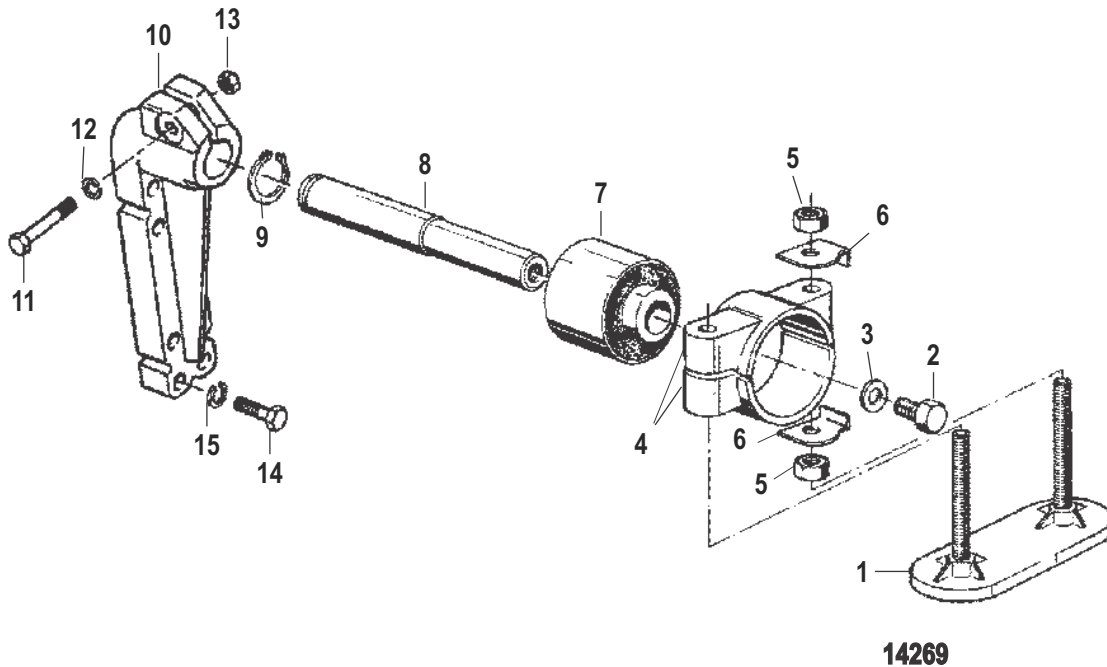


12832

## TRANSMISSION & RELATED PARTS (INBOARD)

- [4] - Alternate part numbers:
  - 814437A 1QS
  - 863745R02Reman
- [5] - Alternate part numbers:
  - 814438A 1QS
  - 863745R03Reman
- [6] - Alternate part numbers:
  - 814439A 1QS
  - 863745R04Reman
- [7] - PART IS NEW AND LISTED FOR THE FIRST TIME
- [8] - OPTIONAL

# TRANSMISSION MOUNTING (INBOARD)

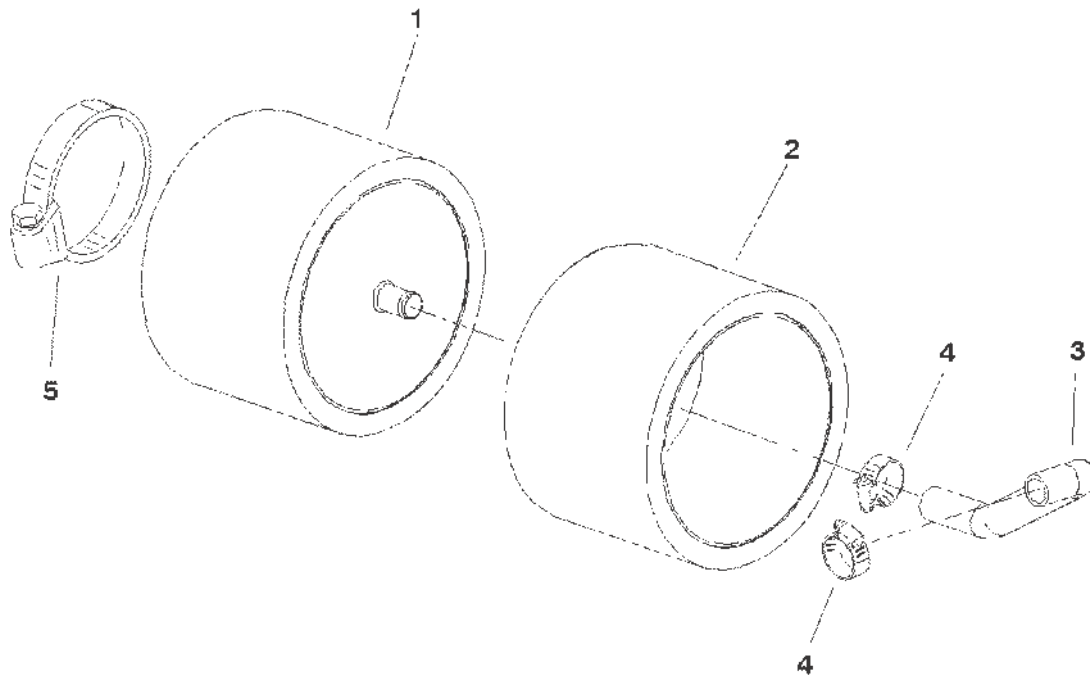


## TRANSMISSION MOUNTING (INBOARD)

Ref #	Part Class	Part Number	Description	Comments	Qty	Note
1	0000	801765040	BASE		2	
2	0010	809913815	SCREW		2	
3	0012	809936436	WASHER		2	
4	0000	801765035	HOUSING		4	
5	0011	809923100	NUT		8	
6	0014	801765045	WASHER		8	
7	0023	801763874	BUSHING		2	
8	0017	816913	PIN		2	
9	0053	809934175	RING		2	
10	0000	814158T	BRACKET		2	
11	0010	809913859	SCREW		2	
12	0013	809931076	LOCKWASHER		2	
13	0011	809922113	NUT		2	
14	0010	806195	SCREW (M12 x 45)		8	
15	0013	809933127	LOCKWASHER		8	

TRANSMISSION MOUNTING (INBOARD)

# AIR CLEANER



30594

**Cat.# 90-880818**

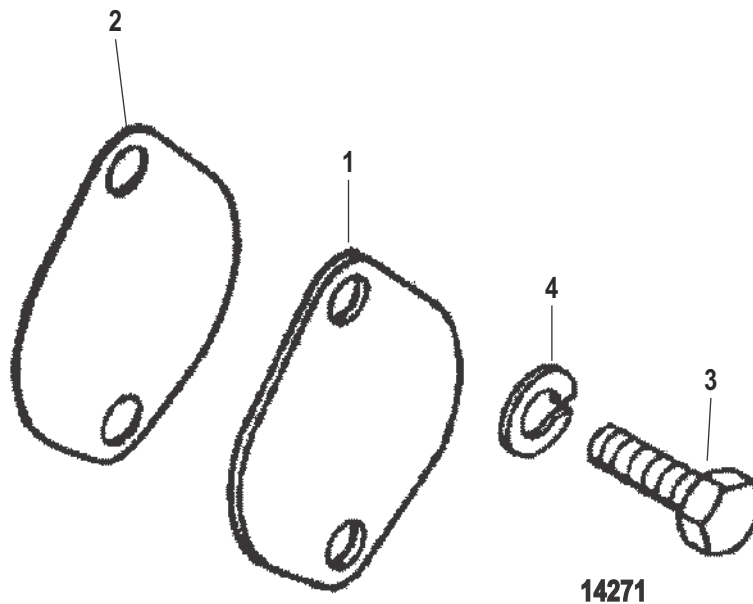
## AIR CLEANER

Ref #	Part Class	Part Number	Description	Comments	Qty	Note
1	0000	855514	CLEANER Air	(With 2 In. Diameter Opening)	1	
1	0000	803628	CLEANER Air	(With 2.75 In. Diameter Opening)	1	
2	0035	805312	ELEMENT		1	
3	0032	854188	HOSE		1	
4	0054	854189	CLAMP Hose		2	
5	0054	815504348	CLAMP Worm Gear		1	

---

AIR CLEANER

GIMBAL HOUSING COVER (STERN DRIVE)





**Cat.# 90-880818**

## GIMBAL HOUSING COVER (STERN DRIVE)

Ref #	Part Class	Part Number	Description	Comments	Qty	Note
1	0000	818304A1	BLOCK OFF KIT		1	
2	0027	818305	GASKET		1	
3	0010	28636	SCREW (.250-20 x .750)		2	
4	0013	26992	LOCKWASHER (.250) Stainless Steel		2	

---

GIMBAL HOUSING COVER (STERN DRIVE)

# PARTS INDEX

Part No.	Description	Pg.	Ref.no	Part No.	Description	Pg.	Ref.no
12009	BUSHING (.31 x .45 x .50)	66	7	123811	RETAINER	68	3
13438	NUT (.250-28)	68	10	13743	SCREW (.312-18 x 1.843) Shoulder	68	14
138981	LEVER	68	13	16072	WASHER	60	15
16739	CONNECTOR	76	8	18311T10	COUPLING ASSEMBLY	24	28
18718A7	HOUSING ASSEMBLY	24	21	18825A2	PUMP ASSEMBLY	66	1
18900A1	TRANSMISSION (1.5:1 Ratio)	78	1	18901A1	TRANSMISSION (2.0:1 Ratio)	78	1
18902A1	TRANSMISSION (2.5:1 Ratio)	78	1	18904	CLIP	46	16
18922	CONNECTOR	76	1	18923	FITTING	76	5
1940971	HOSE (54.00 Inches Bulk)	76	7	19485	FILTER	42	1
1983389	HOSE	70	6	201951	O-RING (.487 x .103)	76	2
21071	COTTER PIN	68	16	22024	NUT (.437-14)	78	18
23567	CLIP	76	10	24664	WASHER (M4 x 20)	36	31
24664	WASHER (M4 x 20)	36	34	26419	NUT (#8-32) Brass	72	-
26992	LOCKWASHER (.250) Stainless Steel	24	38	26992	LOCKWASHER (.250) Stainless Steel	86	4
28636	SCREW (.250-20 x .750)	86	3	30164	WASHER (.192 x .375 x .0312) Stainless Steel	62	10
32857	COTTER PIN	68	6	32993	LOCKWASHER (.437)	78	17
35053	NUT (.437-20)	76	4	35462	WASHER (.2656 x .625 x .0625) Stainless Steel	68	9
35888	NUT (.250-28) Stainless Steel	36	32	35888	NUT (.250-28) Stainless Steel	36	35
36382	FITTING (.250-18 x .62) Brass	32	7	38525	STUD	36	30
4000116	SCREW (M5 x 20)	62	6	40001188	SCREW (M10 x 20)	62	4
40001189	SCREW (M10 x 20)	24	32	40001197	SCREW (M10 x 35)	60	29
40001206	SCREW (M10 x 50)	24	24	40001209	SCREW (M10 x 60)	4	22
4000175	SCREW (M6 x 20)	24	37	4000338	SCREW (M6 x 78)	48	15
4000359	SCREW (M8 x 60)	48	8	4000363	SCREW (M8 x 100)	48	9
400214	NUT (M10) Stainless Steel	60	33	4002217	WASHER	6	18
4002217	WASHER	18	20	4002217	WASHER	64	11
4002220	WASHER	62	5	4002318	WASHER	66	6
400247	LOCKWASHER (M8)	66	5	400247	LOCKWASHER (M8)	78	7
400248	LOCKWASHER (M10)	24	33	400248	LOCKWASHER (M10)	24	35
400248	LOCKWASHER (M10)	48	6	400248	LOCKWASHER (M10)	60	32
400249	LOCKWASHER	60	16	400256	LOCKWASHER (M6)	48	17
400257	LOCKWASHER (M8)	48	10	4013610	NUT (M10) Stainless Steel	28	21
41471	LOCKWASHER (.375)	32	38	415825	CLAMP Nylon	76	6
421581	BUSHING	36	21	42600A3	CONTROLLER ASSEMBLY	62	1
44348T	TUBE	32	39	49099	FITTING	24	31
49734	SENDER	10	28	49734	SENDER	74	-
52382	BUSHING	10	26	53167	SCREW (.312-18 x .880)	68	5
56720	WASHER (.330 x .750 x .060) Stainless Steel	68	8	58640	SCREW (.375-16 x 1.25)	32	37
60169	SCREW (.375-16 x .750)	78	15	60171	SCREW (.375-16 x 1.250)	78	15
60605	SCREW (#10-16 x .750)	76	11	62568	SCREW (#10-16 x .375)	62	9
62826A6	CABLE ASSEMBLY Ground (13.00 Inches) Black	24	27	63341	TEE NUT	68	12
64013	FITTING (.375 Male To .125 Female)	42	11	64032A1	V BELT	60	12
642351	J CLIP	76	9	68219	NUT (#10-32) Stainless Steel	62	2
68402	PIN (.250 x 1.13)	68	15	69205	C WASHER	76	12
71587A10	RECOVERY KIT Coolant	70	1	71587A11	BOTTLE Plastic	70	2
71614	GASKET	70	4	72058	CAP	70	3
79476A1	FLANGE ASSEMBLY (5.00 x 1.00)	78	14	79476A2	FLANGE ASSEMBLY (5.00 x 1.125)	78	14
79476A3	FLANGE ASSEMBLY (5.00 x 1.25)	78	14	79476A4	FLANGE ASSEMBLY (5.00 x 1.375)	78	14
79476A5	FLANGE ASSEMBLY (5.00 x 1.50)	78	14	79476A6	FLANGE ASSEMBLY (5.00 x 1.75)	78	14
79476A7	FLANGE ASSEMBLY (5.00 x 2.00)	78	14	801124680	TANK Power Steering Oil Reservoir	66	8
801256320	BUSHING	36	23	801326638	CLAMP	66	10
801329200	SCREW	36	45	801329978	BREAKER Circuit	64	6
801331212	PIN	20	6	801331602	PLUG Expansion	4	2
801331607	SHIM (15 mm)	16	4	801331608	SHIM (20 mm)	16	4
801331619	O-RING	24	5	801331619	O-RING	26	5
801331631	BEARING Standard	18	6	801331632	BEARING (25 mm)	18	6
801331633	BEARING (50 mm)	18	6	801331642	KEY	18	2
801331647	PIN	18	11	801331650	SCREW Locating	4	6
801331651	SCREW	4	11	801331654	O-RING	18	19
801331671	BRIDGE	10	17	801331673	BRIDGE	10	18
801331674	BRIDGE	10	19	801331684	FITTING Drain	4	8

# PARTS INDEX

Part No.	Description	Pg.	Ref.no	Part No.	Description	Pg.	Ref.no
801331684	FITTING Drain	30	19	801331695	HOUSING Flywheel	24	1
801331695	HOUSING Flywheel	26	1	801331697	SPACER Flywheel	26	11
801331698	SCREW (M4 x 10)	24	13	801331698	SCREW (M4 x 10)	26	12
801331701	RING GEAR	24	10	801331701	RING GEAR	26	10
801331713	BOLT	16	9	801331715	BEARING Standard	16	10
801331716	BEARING (25 mm)	16	10	801331717	BEARING (50 mm)	16	10
801331725	RING	16	12	801331733	PLATE Cam Guide	14	4
801331735	KEY	14	3	801331752	PLATE Spring	10	7
801331754	CAP Spring	10	10	801331755	KEEPER	10	11
801332601	WEAR PLATE	52	7	801332604	SCREW	52	12
801332606	GASKET	52	4	801332607	COVER	52	3
801332608	SCREW	52	2	801333415	O-RING	28	6
801333424	CLIP	10	32	801333441	GASKET	58	2
801333448	STUD (M8 x 140)	30	7	801333451	STUD (M8 x 90)	30	5
801333451	STUD (M8 x 90)	32	26	801333453	STUD (M10 x 30)	32	3
801333457	CLAMP	54	7	801333464	FITTING	32	22
801333850	O-RING	52	15	801333856	ROD KIT Link	36	12
801333862	SCREW	28	2	801333864	BUSHING (25 mm)	14	2
801333865	DIAPHRAGM	44	12	801333873	CONNECTOR	36	44
801333874	SCREW Banjo (M10) Banjo	36	37	801333874	SCREW Banjo (M10)	54	18
801761163	CONNECTOR Return	40	8	801761165	BOLT Banjo (M8 x 1.00)	30	28
801761165	BOLT Banjo (M8 x 1.00)	40	14	801761166	SCREW	40	9
801761382	BRACKET	4	21	801761617	SCREW	4	25
801761674	BEARING Angle	36	19	801761757	SUPPORT	36	43
801761758	CLAMP	36	39	801761847	SCREW	36	29
801761921	PUMP Oil Suction	28	19	801763272	CLAMP	32	4
801763349	PULLEY	66	2	801763362	SHIM (23 mm)	16	4
801763377	PLUG	10	4	801763388	CONNECTOR	4	10
801763389	FITTING	32	34	801763451	STUD (M8 x 70)	30	4
801763467	TUBE Boost Pressure	36	36	801763843	FITTING	40	13
801763843	FITTING	44	20	801763853	PLUG	50	2
801763855	ELEMENT	50	5	801763856	O-RING	50	6
801763857	WINDOW	50	7	801763859	SCREW	50	9
801763874	BUSHING	82	7	801763908	STUD (M16 x 125)	4	20
801765017	GASKET	36	2	801765035	HOUSING	82	4
801765040	BASE	82	1	801765045	WASHER	82	6
802737	GLOW PLUG KIT	10	25	803122A1	PISTON ASSEMBLY	16	2
803123A1	LINER KIT	16	-	803174	ELBOW Transimssion Oil Cooler	78	13
803607	PLUG	22	12	803608	ELBOW 65 Degree Exhaust (65 DEG. DOWN ANGLE)	32	10
803609	ELBOW Exhaust (33 Degree)	32	10	803610	DRIVEPLATE ASSEMBLY	26	25
803620	CLAMP	46	4	803621	BEARING Standard Front Thrust	18	7
803622	WASHER	18	8	803625	FUSE ASSEMBLY	62	11
803627	CLIP	66	26	803628	CLEANER Air	84	1
804702	PIPE	54	14	805013T1	PIPE Exhaust	32	36
805017	HOSE	52	18	805159	SCREW (.437-20 x 1.500)	78	16
805265A1	ELBOW Exhaust	32	6	805267T	SENDER Oil Pressure	4	14
805268	SENDER	4	14	805268	SENDER	74	-
805287A1	OIL PRESSURE GAUGE KIT	72	-	805288A1	GAUGE KIT Water Temperature	72	-
805289A1	TACHOMETER GAUGE KIT	72	-	805312	ELEMENT	84	2
805675A1	TOGGLE SWITCH	72	-	805675A1	TOGGLE SWITCH	74	-
805676A1	SWITCH	72	-	805676A1	SWITCH	74	-
805676A1	SWITCH	74	-	805678	KEY SWITCH	72	-
805681	HOUSING	48	7	805684A2	COUPLING	24	29
805723	GASKET	48	11	805731	COUPLER	24	36
805732	O-RING (2.612 x .103)	42	5	805735T6	COUPLING ASSEMBLY	24	30
805739	HOSE	48	20	805740	HOSE	46	7
805741	HOSE	48	1	805743	HOSE	46	5
805744	HOSE	48	19	805947T	THERMOSTAT 71°C (160°F)	48	12
805948	THERMOSTAT 82°C (180°F)	48	13	806000	ANODE	46	-
806002A1	END CAP ASSEMBLY	46	-	806193A3	RESERVOIR ASSEMBLY Oil	76	13

# PARTS INDEX

Part No.	Description	Pg.	Ref.no	Part No.	Description	Pg.	Ref.no
806195	SCREW (M12 x 45)	82	14	80622142	HOSE ASSEMBLY (84.00 Inches Bulk) Return	66	13
80622216	HOSE	66	15	806232	O-RING (.239 x .064)	66	17
806238	BRACKET	78	5	806291	REDUCER	50	14
806385	PANEL	72	-	806386	PANEL	74	-
806443	ADAPTER	4	13	806548440	HOSE	46	12
806553	SENDER Tachometer	24	26	806553	SENDER Tachometer	26	24
806678	STUD (M8 x 150)	30	6	806685	BOLT (M14 x 149.5) Center	10	20
806686	BOLT (M12 x 94.5) Injector Side	10	21	806687	BOLT (M12 x 127.5) Manifold Side	10	22
806882	GASKET	46	-	806883	GASKET	46	-
8069481	PLUG	42	10	807001	HOSE	46	14
807049T	FLEX TUBE	32	8	807261	HEAT EXCHANGER	46	1
807286T	BRACKET	62	3	807322	HOSE	6	21
807423	HOSE	46	13	807935	HOSE	66	11
807962A3	BRACKET ASSEMBLY Shift	68	1	808023T	STRAP Bracket	76	17
808108	CAP	46	2	808624	CONNECTOR	76	15
808625	CAP Drive Lube Monitor Oil Bottle	76	14	808629	CONNECTING ROD ASSEMBLY	16	7
809590	VIBRATION DAMPER	20	10	809724	SCREW (M8 x 35)	22	13
809726	PLATE	22	10	809825	RTV SILICONE (3 Ounce Tube) Metallic Blue	28	NS
809908402	STUD	24	2	809908402	STUD	26	2
809912516	SCREW (M8 x 50)	4	24	809913218	SCREW (M5 x 10)	12	34
809913218	SCREW (M5 x 10)	36	40	809913466	SCREW (M6 x 16)	28	7
809913466	SCREW (M6 x 16)	28	11	809913657	SCREW (M8 x 25)	66	4
809913815	SCREW	82	2	809913837	SCREW	78	4
809913859	SCREW	82	11	809919114	PLUG	30	30
809919131	SCREW (M22 x 1.5)	30	16	809919131	SCREW (M22 x 1.5)	46	9
809919621	SCREW	30	26	809919781	SCREW (M6 x 18)	54	3
809919926	SCREW (M6 x 25)	30	15	809919926	SCREW (M6 x 25)	64	3
809919935	SCREW (M8 x 18)	14	5	809919935	SCREW (M8 x 18)	14	10
809919935	SCREW (M8 x 18)	14	14	809919969	SCREW	78	6
809921102	NUT (M16)	4	19	809921631	NUT	60	5
809922038	NUT	36	NS	809922038	NUT	36	27
809922038	NUT	36	42	809922038	NUT	60	9
809922113	NUT	78	3	809922113	NUT	82	13
809922133	NUT	60	17	809922410	NUT	36	18
809922457	NUT (M16)	4	18	809922800	NUT	60	11
809923100	NUT	82	5	809930840	LOCKWASHER	50	4
809931036	WASHER	12	35	809931036	WASHER	36	17
809931036	WASHER	60	8	809931036	WASHER	62	7
809931044	WASHER	28	10	809931076	LOCKWASHER	4	23
809931076	LOCKWASHER	24	25	809931076	LOCKWASHER	60	10
809931076	LOCKWASHER	82	12	809931094	WASHER	4	17
809931332	WASHER	60	31	809932047	LOCKWASHER	36	41
809932110	LOCKWASHER	18	13	809932110	LOCKWASHER	24	17
809932110	LOCKWASHER	26	17	809932112	LOCKWASHER	24	7
809932112	LOCKWASHER	26	7	809932646	LOCKWASHER	36	25
809932852	E CLIP	36	26	809933127	LOCKWASHER	82	15
809933149	LOCKWASHER	60	4	809934175	RING	82	9
809936436	WASHER	82	3	809937241	PLUG	4	3
809940960	ROD	36	NS	809941485	PIN	18	16
809951453	KEY	60	7	809952104	CLAMP	6	22
809952104	CLAMP	66	12	809963042	O-RING	10	31
809963042	O-RING	30	29	809963042	O-RING	40	15
809963072	WASHER	4	12	809963072	WASHER	36	38
809963072	WASHER	54	19	809963129	WASHER	10	27
809963129	WASHER	40	10	809963129	WASHER	44	10
809963129	WASHER	54	13	809963201	WASHER	4	7
809963201	WASHER	6	24	809963201	WASHER	28	16
809963201	WASHER	30	31	809963201	WASHER	32	35
809963201	WASHER	40	12	809963201	WASHER	44	6
809963201	WASHER	50	3	809963342	O-RING	10	5
809963342	O-RING	32	23	809963342	O-RING	42	3

# PARTS INDEX

Part No.	Description	Pg.	Ref.no	Part No.	Description	Pg.	Ref.no
809963354	WASHER	28	3	809963354	WASHER	30	17
809963354	WASHER	42	21	809963354	WASHER	46	10
809963467	SEAL	42	8	809987302	PIN	36	16
809987503	JOINT	36	NS	811376	BEARING Standard	18	5
811377	BEARING (25 mm)	18	5	811378	BEARING (50 mm)	18	5
811379	FLANGE ASSEMBLY	18	10	811382	SCREW (M10 x 90)	18	12
811383	STUD (M8 x 20)	18	17	811383	STUD (M8 x 20)	30	3
811383	STUD (M8 x 20)	32	14	811383	STUD (M8 x 20)	44	13
811384	LOCKWASHER (M8)	14	6	811384	LOCKWASHER (M8)	18	21
811384	LOCKWASHER (M8)	22	21	811384	LOCKWASHER (M8)	36	5
811387	PIN	16	11	811388	SPRING	10	8
811389	PLUG	10	2	811394	BOLT Banjo	10	30
811401	BOLT Banjo (M12)	44	9	811401	BOLT Banjo (M12)	54	12
811402	STUD	36	3	811403	NUT	36	9
811404	KEY	36	7	811406	VALVE Fuel Shut Off	36	10
811407	WASHER	36	11	811408	LOCKWASHER	24	3
811408	LOCKWASHER	26	3	811408	LOCKWASHER	36	8
811408	LOCKWASHER	56	6	811409	WASHER	36	4
811410	SCREW (M14)	6	23	811410	SCREW (M14)	28	15
811410	SCREW (M14)	40	11	811410	SCREW (M14)	44	5
811411	WASHER Sealing	40	18	811415	SCREW	14	13
811416	PUMP ASSEMBLY Fuel	44	11	811417	NUT	44	16
811417	NUT	52	17	811418	LOCKWASHER	44	15
811418	LOCKWASHER	52	16	811421	NUT	20	11
811422	SCREW (M6 x 35)	20	8	811423	SCREW (M10 x 45)	20	12
811425	SEAL	20	4	811428	SLEEVE	4	9
811431	SET SCREW (M6 x 3)	4	4	811432	COVER	54	11
811435	CLAMP	32	29	811436	SCREW (M6 x 80)	6	9
811437	WASHER	54	10	811444	LINE	30	27
811448	SCREW	32	32	811450	WASHER	30	14
811450	WASHER	54	4	811453	FLYWHEEL	24	9
811453	FLYWHEEL	26	9	811455	WASHER	24	20
811455	WASHER	26	20	811455	WASHER	40	5
811455	WASHER	66	25	811456	SCREW	24	18
811456	SCREW	26	18	811457	SCREW (M10 x 35)	24	16
811457	SCREW (M10 x 35)	26	16	811457	SCREW (M10 x 35)	64	13
811458	NUT	24	4	811458	NUT	26	4
811458	NUT	56	7	811459	WASHER	24	8
811459	WASHER	26	8	811459	WASHER	64	14
811460	LOCKWASHER	14	11	811460	LOCKWASHER	14	15
811460	LOCKWASHER	22	14	811460	LOCKWASHER	24	19
811460	LOCKWASHER	26	19	811460	LOCKWASHER	32	21
811460	LOCKWASHER	32	33	811460	LOCKWASHER	36	24
811460	LOCKWASHER	68	18	811461	O-RING	32	24
811463	SCREW	32	20	811466	SLEEVE	32	18
811467	CLIP	6	19	811467	CLIP	28	18
811467	CLIP	32	19	811472	STUD (M8 x 55)	58	3
811475	STUD	60	20	811476	SCREW	60	18
811477	SCREW	60	25	811478	NUT	60	22
811479	WASHER	44	18	811479	WASHER	60	26
811479	WASHER	76	19	811480	WASHER	60	19
811481	LOCKWASHER	60	27	811482	LOCKWASHER	60	21
811483	WASHER	22	6	811485	O-RING	22	2
811485	O-RING	22	9	811487	PLUG Anode Assembly	22	4
811498	O-RING	26	13	811505	REGULATOR	60	2
811521	HOLDER Brush	60	3	812619	FUSE Yellow - 20 Ampere	62	-
814158T	BRACKET	82	10	814437A1	TRANSMISSION (1.5:1 Ratio)	78	1
814438A1	TRANSMISSION (2.0:1 Ratio)	78	1	814439A1	TRANSMISSION (2.5:1 Ratio)	78	1
814634	CLAMP	54	17	815088	NUT (M8)	4	26
815088	NUT (M8)	38	46	815504220	CLAMP Worm Gear	46	17
815504220	CLAMP Worm Gear	48	2	815504220	CLAMP Worm Gear	52	19

# PARTS INDEX

Part No.	Description	Pg.	Ref.no	Part No.	Description	Pg.	Ref.no
815504222	CLAMP Worm Gear (1.98 Diameter)	46	24	815504224	CLAMP Worm Gear	46	25
815504228	CLAMP Worm Gear	46	8	815504228	CLAMP Worm Gear	50	11
815504232	CLAMP Worm Gear (2.50 Diameter)	46	6	815504232	CLAMP Worm Gear (2.50 Diameter)	52	21
815504272	CLAMP Worm Gear	32	40	815504272	CLAMP Worm Gear	32	42
815504336	CLAMP Worm Gear	46	26	815504348	CLAMP Worm Gear	48	21
815504348	CLAMP Worm Gear	84	5	815928	COVER PLATE	26	21
816000	ANODE	22	5	816162	SPRING	42	7
816163	THERMOSTAT	42	6	816172	HOSE	50	12
816173	HOSE Reducer	52	22	816174A1	HOSE	52	20
816175	ALTERNATOR	60	1	816177	V BELT	66	3
816248	PUMP ASSEMBLY	52	1	816339	NOZZLE	50	10
816340	BRACKET	66	22	816454	SCREW	60	14
816539	PULLEY	60	6	816540	BRACE	60	24
816541	SPACER	60	30	816542	BRACKET	60	13
816543	SPACER	60	23	816554	TUBE	28	5
816689260	HOSE	66	9	816785	STRIP Manifold (FRONT)	54	1
816813	CAM	52	6	816814T	IMPELLER	52	5
816815	RING	52	8	816816	SPACER	52	9
816817	SEAL	52	10	816818	SEAL	52	11
816819	BEARING	52	13	816820	SHAFT	52	14
816913	PIN	82	8	817032A1	BATTERY GAUGE KIT	72	-
817033A1	TRIM GAUGE KIT	72	-	817089	GASKET	32	5
817169	SWITCH	42	12	817308	BRACKET (TACHOMETER)	72	-
817309	BRACKET	72	-	817311	BEZEL (TACHOMETER)	72	-
817315	BEZEL	72	-	817728	O-RING	16	5
817729	O-RING	16	6	818163A1	CRUISELOG GAUGE KIT	72	-
818170T	FITTING	50	17	818171T	VALVE	50	16
818172	CONNECTOR	50	15	818304A1	BLOCK OFF KIT	86	1
818305	GASKET	86	2	821509	RELAY	64	NS
823646	RING SET	16	3	8248326	SCREW (M6 x 25 MM)	28	20
8248327	SCREW (M6 x 30)	36	20	831424	LIGHT BULB	72	-
831424A2	LIGHT BULB	72	-	846109	SCREW (.375-16 x .875)	46	-
850418	STUD (M8 x 115)	22	15	850419	STUD (M8 x 22)	22	16
850420A1	PULLEY	20	9	85181	BOLT	50	13
85181	BOLT	70	5	854020	GROMMET	66	24
854021	SPACER	66	23	854023	BRACKET	6	15
854032	NUT (M6)	30	24	854032	NUT (M6)	64	4
854032	NUT (M6)	64	12	854032	NUT (M6)	66	28
854037	NUT (M8)	8	6	854037	NUT (M8)	18	22
854037	NUT (M8)	22	17	854037	NUT (M8)	30	8
854037	NUT (M8)	32	15	854037	NUT (M8)	32	27
854037	NUT (M8)	36	6	854037	NUT (M8)	40	4
854037	NUT (M8)	42	23	854037	NUT (M8)	58	5
854037	NUT (M8)	66	21	854040	CYLINDER BLOCK	4	1
854041	VALVE Oil Pressure	4	5	854044	SCREW (M10 x 45)	4	22
854045	COVER (REAR)	6	1	854046	GASKET	6	2
854047	GASKET Oil Fill Cap	6	7	854048	CAP	6	8
854049	COVER (FRONT)	6	3	854050	SEPARATOR Oil	6	16
854051	PLUG	6	12	854052	SLEEVE	6	20
854052	SLEEVE	28	17	854054	HOSE	6	13
854055	SCREW (M6 x 88)	6	10	854056	SPACER	6	11
854057	ROCKER ARM ASSEMBLY	8	1	854058T	BRACKET Rocker Arm	8	7
854059	ROCKER ARM (INTAKE)	8	2	854060	SUPPORT	8	3
854061	ROCKER ARM (EXHAUST)	8	4	854062	BUSHING	8	5
854063	LIFTER	8	8	854064	PUSH ROD	8	9
854065	LINE Oil	10	29	854066	BRACKET	8	10
854068	SEAL Oil	10	9	854069	STUD (M8 x 60)	10	3
854070	VALVE GUIDE Standard	10	6	854071	SEAT (INTAKE)	10	12
854072	SEAT (EXHAUST)	10	13	854073	VALVE	10	14
854074	VALVE Exhaust	10	15	854075	STUD (M8 x 35)	10	16
854080	PLUG	10	25	854084	CAMSHAFT	14	1

# PARTS INDEX

Part No.	Description	Pg.	Ref.no	Part No.	Description	Pg.	Ref.no
854085	GEAR	14	7	854087	PUMP Oil	14	9
854088	GEAR ASSEMBLY	14	12	854089	LINER	16	1
854090	BUSHING	16	8	854093	NOZZLE	18	14
854095	COVER ASSEMBLY	20	1	854096	GASKET	20	5
854097	COVER	20	2	854098	WASHER	20	3
854101	GASKET	22	18	854104	SCREW (M5 x 20)	64	5
854106	SCREW (M10 x 25)	24	6	854106	SCREW (M10 x 25)	26	6
854108	BRACKET	24	15	854108	BRACKET	26	15
854110	PAN Oil	28	1	854112	DEFLECTOR	28	8
854113	SCREW (M6 x 14)	6	17	854113	SCREW (M6 x 14)	28	9
854113	SCREW (M6 x 14)	64	10	854114	DIPSTICK	28	12
854115	TUBE	28	13	854116T	MANIFOLD	30	1
854117	GASKET Exhaust Manifold	30	2	854118	SCREW (M8 x 20)	22	20
854118	SCREW (M8 x 20)	30	10	854118	SCREW (M8 x 20)	32	16
854118	SCREW (M8 x 20)	66	20	854118	SCREW (M8 x 20)	68	17
854119	COVER	30	11	854120	GASKET	30	12
854121	SCREW (M6 x 60)	30	13	854122	NUT (M10)	26	23
854122	NUT (M10)	30	18	854122	NUT (M10)	44	19
854122	NUT (M10)	60	28	854122	NUT (M10)	76	20
854123	STUD (M6)	30	20	854124	STUD (M6 x 25)	30	21
854125	WASTEGATE	30	23	854126	VALVE	30	25
854127	GASKET	30	32	854128	TURBOCHARGER	32	1
854129	GASKET	32	2	854130	PIPE	32	17
854131	HOUSING	32	25	854132	PIPE	32	30
854133	GASKET	32	31	854138	INJECTION NOZZLE	40	1
854140	BRACKET	40	6	854142	GASKET	40	2
854143	O-RING	40	3	854145	FITTING	42	2
854146	ADAPTER	42	4	854149	HOSE Oil	42	15
854150	HOSE Oil	42	16	854151	FITTING (M18)	42	17
854152	HEADER	42	18	854153	FITTING	42	19
854154	FITTING (M22)	42	20	854155	SCREW (M10 x 30)	24	34
854155	SCREW (M10 x 30)	44	17	854155	SCREW (M10 x 30)	76	18
854156	STUD (M8 x 25)	42	22	854156	STUD (M8 x 25)	58	4
854157	SPACER	42	24	854158	PLATE	42	25
854162	O-RING	44	14	854164	BRACKET	48	3
854165	LIFTING EYE	48	4	854166	SCREW (M10 x 35)	48	5
854168	COVER	48	14	854169	STUD (M6 x 75)	48	16
854170	SPACER	48	18	854171	GASKET	54	2
854172	GASKET	54	5	854176	HOSE	54	15
854177	CLAMP	54	16	854178	STARTER MOTOR ASSEMBLY	56	1
854179	PUMP	58	1	854182	RADIATOR INSERT	22	3
854188	HOSE	84	3	854189	CLAMP Hose	6	14
854189	CLAMP Hose	84	4	854194	O-RING	6	4
854195	CONNECTOR	6	5	854196	RING	6	6
854203	LIFTING EYE	22	19	854214	GASKET	22	7
854216	HOUSING	22	8	854217	COVER	22	11
855381	MOUNT Engine	4	16	855382	PIN	4	27
855383	PRESSURE PIPES ASSEMBLY	40	7	855385	NUT (M5)	62	8
855385	NUT (M5)	64	7	855386	POWER RELAY	64	8
855387	SUPPORT	66	18	855388	BRACKET	66	19
855391	POWER RELAY	64	2	855391	POWER RELAY	64	2
855459	SLEEVE	10	33	855461	BUSHING Standard	14	2
855463	ADAPTER	4	15	855465	SCREW (M8 x 60)	20	7
855470	SCREW (M10 x 20)	26	26	855471	STUD (M10 x 20)	26	22
855473	SCREW (M6 x 12)	28	4	855482	FLEX TUBE	32	11
855483	BLANKET	32	9	855483	BLANKET	32	12
855487	HOSE	42	13	855488	HOSE Oil	42	14
855491	CLAMP	46	3	855494	HOSE	46	20
855495	HOSE	46	18	855496	HOSE	46	21
855497	COOLER	46	22	855498	INSERT	46	19
855499	CLAMP ASSEMBLY	46	23	855511	SCREW (M6 x 20)	66	27

# PARTS INDEX

Part No.	Description	Pg.	Ref.no	Part No.	Description	Pg.	Ref.no
855514	CLEANER Air	84	1	855516	WASHER	78	11
855517	ELBOW Transmission	78	10	855518	HOSE Oil (85 cm)	78	12
855519	HOSE Oil (93 cm)	78	12	855520	SCREW (M8 x 25)	32	16
860065A1	BRACKET KIT Oil Bottle	76	16	860074	SERVICE MANUAL	2	-
860094990	OWNERS MANUAL	2	-	860096990	OWNERS MANUAL	2	-
860319A1	END COVER	46	-	860602	TUBE Exhaust	32	41
860603	FILTER	50	1	860614	HARNES ASSEMBLY Engine	64	-
860615	HARNES ASSEMBLY (13 Feet)	74	-	860616	HARNES ASSEMBLY (23 Feet)	72	-
860617	HARNES ASSEMBLY	74	-	860618	HARNES ASSEMBLY Instrument	72	-
860618	HARNES ASSEMBLY Instrument	74	-	860621	DECAL	46	11
861854	WASHER (.453 x .750 x .032) Stainless Steel	76	3	877376	GASKET (1.42 mm)	10	24
877377	GASKET (1.42 mm)	10	24	879678	GASKET (1.52 mm)	10	24
879679	GASKET (1.62 mm)	10	24	879680	GASKET (1.52 mm)	10	24
879681	GASKET (1.62 mm)	10	24	879698	GEAR	14	8
879704	ADAPTER Injector Nozzle	40	17	879709	COOLER Air	22	1
879711	SCREW	24	14	879711	SCREW	26	14
879712	RAIL Water (REAR)	54	8	879714	SCREW (M6 x 80)	54	6
879714	SCREW (M6 x 80)	54	9	879715	CYLINDER HEAD ASSEMBLY	10	1
879718	KEY	18	3	879720	GASKET	30	22
879721	GASKET	32	13	879832	SHORTBLOCK ASSEMBLY	2	-
879832	SHORTBLOCK ASSEMBLY ENGINE (4.2L &quot;LD&quot;)	4	-	88031	SWITCH ASSEMBLY	78	9
880818	PARTS MANUAL D4.2L/200-LD	2	-	880819	ADAPTER	10	26
880819	ADAPTER	10	26	880820	SENDER	10	28
880821	PLATE	22	22	880822	O-RING	22	23
880823	SCREW (M5 x 20)	22	24	880824	PICKUP	22	25
880825	HOSE	28	14	880826	PUMP	36	1
880827	SUPPORT	36	28	880828	PIPE	40	16
880829	PLATE	42	25	880830	FILTER Fuel	44	1
880831	FITTING (90 Degree)	44	2	880832	WASHER	44	3
880833	LINE Fuel	44	4	880834	FUEL FILTER ASSEMBLY	44	7
880835	LINE Fuel	44	8	880837	BRACKET	64	9
880838	LEVER	36	22	881716	LIFTING EYE	30	9
881742	GASKET SET Overhaul	4	-	881742	GASKET SET Overhaul	6	-
881742	GASKET SET Overhaul	12	-	881742	GASKET SET Overhaul	16	-
881742	GASKET SET Overhaul	18	-	881742	GASKET SET Overhaul	20	-
881742	GASKET SET Overhaul	22	-	881742	GASKET SET Overhaul	24	-
881742	GASKET SET Overhaul	26	-	881742	GASKET SET Overhaul	28	-
881742	GASKET SET Overhaul	30	-	881742	GASKET SET Overhaul	32	-
881742	GASKET SET Overhaul	40	-	881742	GASKET SET Overhaul	44	-
881742	GASKET SET Overhaul	46	-	881742	GASKET SET Overhaul	48	-
881742	GASKET SET Overhaul	54	-	881742	GASKET SET Overhaul	58	-
881743	GASKET SET Cylinder Head	6	-	881743	GASKET SET Cylinder Head	12	-
881743	GASKET SET Cylinder Head	30	-	881743	GASKET SET Cylinder Head	40	-
881743	GASKET SET Cylinder Head	54	-	881744	COVER	50	8
881745	DIODE	72	-	881746	SPACER	10	23
881748	SENDER KSB	10	28	883960A1	GEAR	18	4
884006	BEARING (.10 mm) Front Thrust	18	7	884007	BEARING (.20 mm) Front Thrust	18	7
884008	BEARING Standard	18	9	884009	BEARING (.25 mm)	18	9
884010	BEARING (.50 mm)	18	9	884011	FLANGE ASSEMBLY	18	15
884012	SEAL	18	18	884014	CRANKSHAFT	18	1
884028	O-RING	24	11	88743	SCREW (.312-18 x .500)	46	-
88791T	MOUNT Rubber	24	23	889030	SPACER Flywheel	24	12
891889	HOSE	32	28	896332092	HOSE	46	27
89879	O-RING (.301 x .064)	66	14	89879	O-RING (.301 x .064)	66	16
910002	STUD	78	2	96112	STUD (.250-28 x 2.00) Throttle Cable Anchor	36	33
96112	STUD (.250-28 x 2.00) Throttle Cable Anchor	68	11	97477A3	STUD KIT	78	8
98277	SEAL	42	9	987981	STUD (.250-20/.250-28 x 2.120)	68	2
98828	SPACER	68	4	98880	SPRING	68	7
99322	SPACER	24	22	99356A2	COOLER ASSEMBLY	46	15
NSS	NOT SOLD SEPARATE Engaging Relay	56	2	NSS	NOT SOLD SEPARATE Parts Set Armature	56	3



# PARTS INDEX

Part No.	Description	Pg.	Ref.no	Part No.	Description	Pg.	Ref.no
NSS	NOT SOLD SEPARATE Armature	56	4	NSS	NOT SOLD SEPARATE Brush Set	56	5
NSS	NOT SOLD SEPARATE Electrical Box	64	1				