

Parts Manual

Cat.# 90-81841193

Revised 09-12-2020

TABLE OF CONTENTS

Cat.# 90-81841193

MISCELLANEOUS PARTS AND ACCESSORIES	1
ENGINE/CYLINDER BLOCK	3
ROCKER COVER	5
ROCKER ARM AND OIL LINES	7
CYLINDER HEAD	9
CAMSHAFT	11
CONNECTING ROD AND PISTON	13
CRANKSHAFT	15
FRONT COVER	17
AIR COOLER	19
FLYWHEEL HOUSING (STERN DRIVE)	21
FLYWHEEL HOUSING/DRIVE PLATE (INBOARD)	25
OIL PAN	27
EXHAUST MANIFOLD	29
OIL COOLER AND OIL FILTER (STERN DRIVE)	31
OIL COOLER AND OIL FILTER (INBOARD)	33
TURBO CHARGER/EXHAUST ELBOW (STERN DRIVE)	35
TURBO CHARGER/EXHAUST ELBOW (INBOARD)	39
INJECTION PUMP	43
INJECTION NOZZLE/LINES	45
MANIFOLD STRIP	47
FUEL FILTER	49
COOLING WATER TANK	51
SEAWATER PUMP (STERN DRIVE)	53
SEAWATER PUMP (INBOARD)	57
AIR CLEANER (OLD DESIGN)	59
AIR CLEANER (NEW DESIGN)	61
ALTERNATOR	63
MERCATHODE (STERN DRIVE)	65
MOTOR HARNESS	67
INSTRUMENT PANEL	69
POWER STEERING COMPONENTS (STERN DRIVE)	73
POWER STEERING CYLINDER (STERN DRIVE)	75
SHIFT BRACKET (STERN DRIVE)	77
COOLANT RECOVERY	79
WATER PICK-UP KIT (OLD DESIGN) (STERN DRIVE)	81
STARTER MOTOR	83
WATER PUMP	85

TABLE OF CONTENTS

TRANSMISSION AND RELATED PARTS (INBOARD).....	87
TRANSMISSION (DIRECT DRIVE) (INBOARD).....	91
TRANSMISSION (DIRECT DRIVE) (INBOARD).....	95
TRANSMISSION (V-DRIVE) (INBOARD).....	99
TRANSMISSION (V-DRIVE) (INBOARD).....	103
TRANSMISSION MOUNTING (INBOARD).....	107

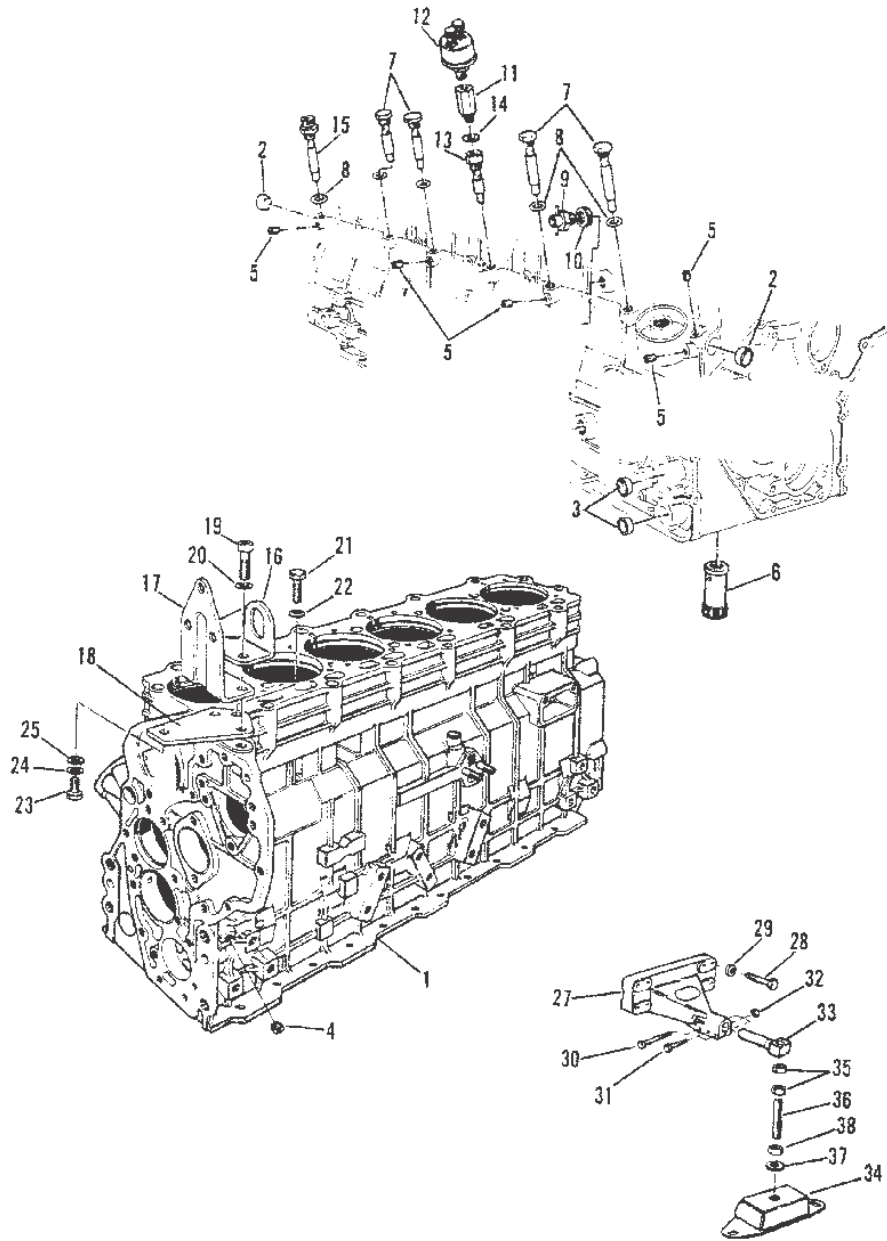
MISCELLANEOUS PARTS AND ACCESSORIES

MISCELLANEOUS PARTS AND ACCESSORIES

Ref #	Part Class	Part Number	Description	Comments	Qty	Note
-	0090	81841193	PARTS MANUAL D-254 Turbo AC Diesel Engine Sterndrive/Inboard		1	
-	0091	801331553	TOOL KIT		1	
-	0027	811490	GASKET SET Engine Overhaul	(Engine Overhaul)	1	
-	0027	811522	GASKET SET Cylinder Head	(Cylinder Head)	1	
-	0090	821065930	OWNERS MANUAL	(Sterndrive)	1	
-	0090	821069930	OWNERS MANUAL	(Inboard)	1	

ENGINE/CYLINDER BLOCK

ENGINE/CYLINDER BLOCK



47453

ENGINE/CYLINDER BLOCK

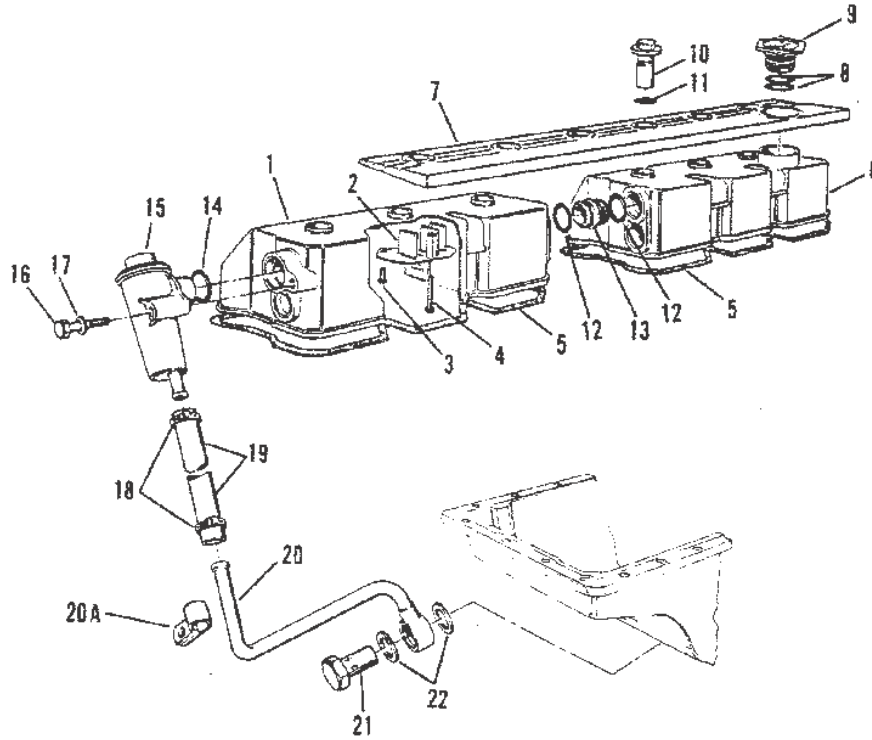
Ref #	Part Class	Part Number	Description	Comments	Qty	Note
1	0882	816801	CYLINDER BLOCK		1	
2	0019	801331602	PLUG Expansion		2	
3	0019	809937241	PLUG		2	
4	0019	811375	PLUG		1	
5	0010	811431	SET SCREW (M6 x 3)		5	
6	0000	811429	RELEIF TUBE		1	
7	0010	801331650	SCREW Locating		4	
8	0012	809963201	WASHER		6	[1]
9	0022	801331684	FITTING Drain		1	
10	0022	811428	SLEEVE		1	
11	0000	801763387	NOZZLE		1	
12	0087	801331979	SENDER		1	
13	0022	801763388	CONNECTOR		1	
14	0012	809963072	WASHER		1	
15	0010	801331651	SCREW		1	
16	0000	811372	LIFTING EYE		1	
17	0000	815990	BRACKET		1	
18	0000	816533	SUPPORT PLATE		1	
19	0010	809913843	BOLT		2	
20	0013	400248	LOCKWASHER (M10)		2	
21	0010	811373	SCREW		1	
22	0013	811374	LOCKWASHER		1	
23	0010	40001134	SCREW (M8 x 25)		1	
24	0013	400247	LOCKWASHER (M8)		1	
25	0012	4002217	WASHER		1	
27	0000	801761382	BRACKET		2	
28	0010	809913859	SCREW (50MM)		4	
28	0010	40001209	SCREW (M10 x 60) (60MM)		4	
29	0012	4002219	WASHER		8	
30	0010	809912516	SCREW (M8 x 50)		4	
31	0010	801761617	SCREW		2	
32	0011	815088	NUT (M8)		4	
33	0000	801763304	PIN Support		2	
34	0000	801763916	MOUNT		2	
35	0011	809922457	NUT (M16)		4	
36	0016	801763908	STUD (M16 x 125)		2	
37	0012	809931094	WASHER		2	
38	0011	809921102	NUT (M16)		2	
39	0027	811490	GASKET SET Engine Overhaul		-	
40	0000	801765145	PARTIAL ENGINE	INCLUDES INTERNAL PARTS AND CYLINDER HEADS	-	

PART NOTES:

[1] - CONTENTS OF 811490 GASKET SET

ROCKER COVER

ROCKER COVER



47454

ROCKER COVER

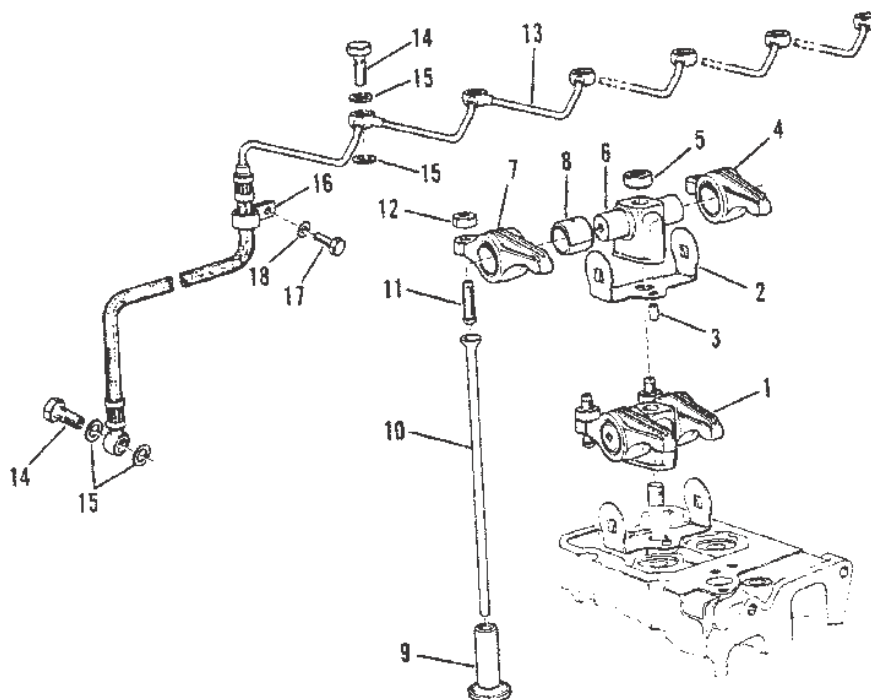
Ref #	Part Class	Part Number	Description	Comments	Qty	Note
1	0000	801763790	ROCKER COVER (REAR)		1	
2	0000	801763767	BAFFLE		1	
3	0010	811397	SCREW		1	
4	0010	811398	SCREW		1	
5	0000	801763765	SEAL Rocker Cover		2	[1]
6	0000	801763766	ROCKER COVER (FRONT)		1	
7	0000	192242	COVER		1	
8	0025	801331690	O-RING		2	[1]
9	0036	811396	CAP Filler		1	
10	0011	801763773	NUT		6	
11	0025	801763779	O-RING		6	[1]
12	0025	801763770	O-RING		4	[1]
13	0022	801763769	CONNECTOR		2	
14	0025	801285797	O-RING		1	
15	0000	801285638	SEPARATOR Oil		1	
16	0010	809912529	SCREW		1	
17	0012	4002217	WASHER		1	
18	0054	809952104	CLAMP		2	
19	0032	801763269	HOSE Oil Drain (USE WITH OIL DRAIN PUMP)		1	
20	0032	816153	PIPE Oil Return (USE WITH OIL DRAIN PUMP)		1	
19	0032	7765377	HOSE (24.500 Inches Bulk) (USE W/O OIL DRAIN PUMP)		1	
20	0032	805178	PIPE Oil Return (USE W/O OIL DRAIN PUMP)		1	
20A	0054	99118	CLIP		1	
21	0010	801117181	BOLT Banjo		1	
22	0012	809963201	WASHER		2	
23	0027	811490	GASKET SET Engine Overhaul		-	
24	0027	811522	GASKET SET Cylinder Head		-	

PART NOTES:

- [1] - CONTENTS OF 811522 GASKET SET
 CONTENTS OF 811490 GASKET SET

ROCKER ARM AND OIL LINES

ROCKER ARM AND OIL LINES



47455

ROCKER ARM AND OIL LINES

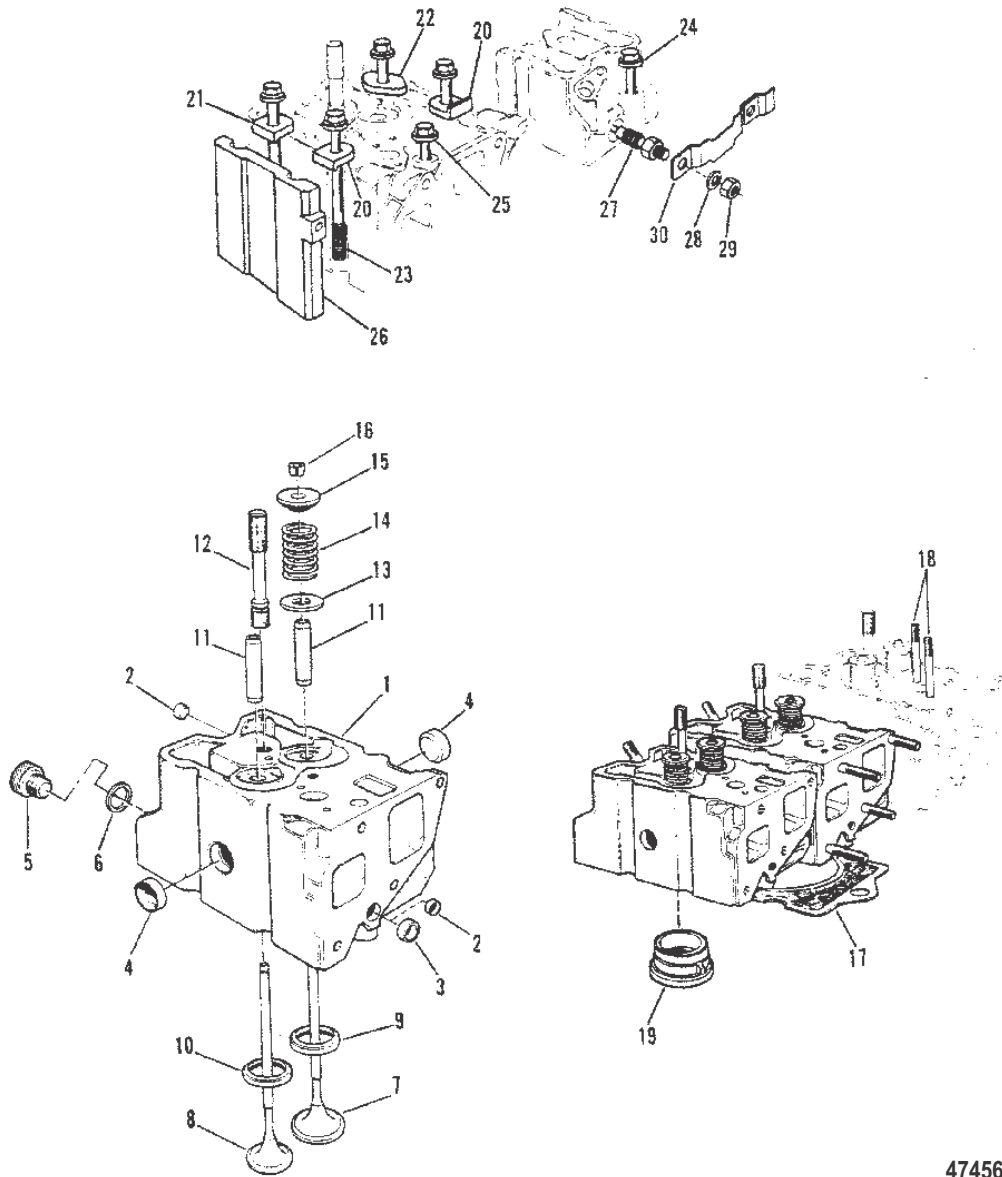
Ref #	Part Class	Part Number	Description	Comments	Qty	Note
1	0000	801331739	ROCKER ARM ASSEMBLY		6	
2	0000	801333863	BRACKET Rocker Arm		6	
3	0017	801331748	PIN Centering		6	
4	0000	801331742	ROCKER ARM (INTAKE)		6	
5	0011	801331749	NUT		6	
6	0000	801331740	SUPPORT		6	
7	0000	801331741	ROCKER ARM (EXHAUST)		6	
8	0023	801331745	BUSHING		12	
9	0000	801331737	LIFTER		12	
10	0000	801331738	PUSH ROD		12	
11	0010	801331746	SCREW Adjusting		12	
12	0011	811395	NUT		12	
13	0032	801333423	LINE Oil		1	
14	0010	811394	BOLT Banjo Banjo		7	
15	0025	809963042	O-RING		14	[1]
16	0054	801333424	CLIP		1	
17	0010	809913218	SCREW (M5 x 10)		1	
18	0012	809931036	WASHER		1	
19	0027	811490	GASKET SET Engine Overhaul		-	

PART NOTES:

[1] - CONTENTS OF 811490 GASKET SET

CYLINDER HEAD

CYLINDER HEAD



47456

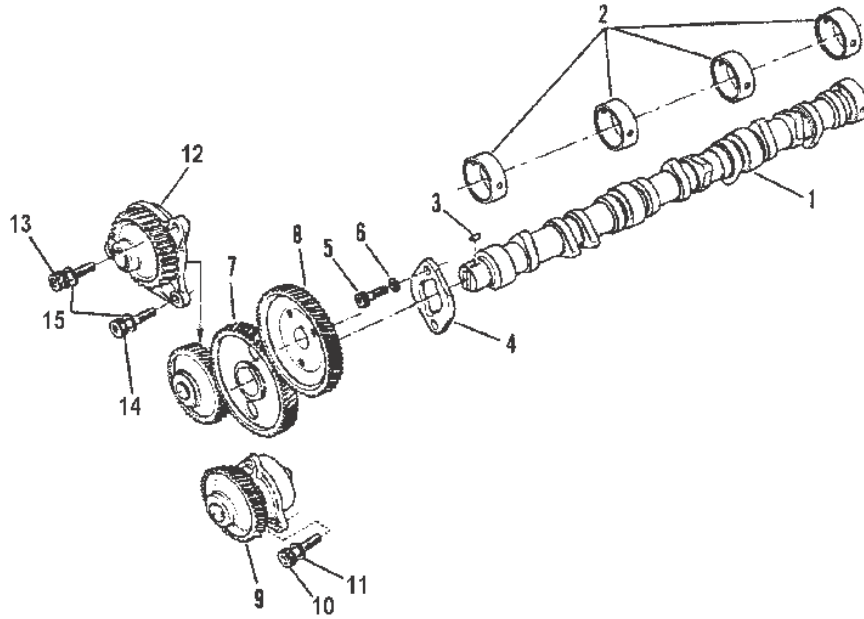
CYLINDER HEAD

Ref #	Part Class	Part Number	Description	Comments	Qty	Note
1	0989	821757	CYLINDER HEAD (W/VALVES)		6	
2	0000	801331664	EXPANSION PLUG		12	
3	0019	809937241	PLUG		6	
4	0019	811389	PLUG		12	
5	0010	801763377	PLUG		6	
6	0025	809963342	O-RING		6	[1]
7	0000	811489	VALVE Inlet		6	
8	0000	811488	VALVE Outlet		6	
9	0000	811390	VALVE SEAT Inlet		6	
10	0000	811391	VALVE SEAT Outlet		6	
11	0000	801331659	GUIDE Valve (STANDARD)		12	
11	0000	801763692	VALVE GUIDE (.10MM)		AR	
12	0016	801331662	STUD		6	
13	0000	801331752	PLATE Spring		12	
14	0024	811388	SPRING		12	
15	0000	801331754	CAP Spring		12	
16	0000	801331755	KEEPER Keepers		24	
17	0027	823296	GASKET (1.42MM)		6	
17	0027	823297	GASKET Cylinder Head (1.52MM)		AR	[2]
17	0027	823298	GASKET (1.62MM)		AR	
18	0016	801331666	STUD		12	
19	0000	816809	PRECHAMBER		6	
20	0000	801331671	BRIDGE		7	
21	0000	801331673	BRIDGE		2	
22	0000	801331674	BRIDGE		5	
23	0010	801331675	BOLT		14	
24	0010	801331677	BOLT		6	
25	0010	801331678	BOLT		6	
26	0023	801331670	SPACER		2	
27	0033	811495	GLOW PLUG		6	
28	0012	811496	WASHER		6	
29	0011	811497	NUT		6	
30	0000	811494	STRAP Connecting		4	
31	0027	811490	GASKET SET Engine Overhaul			
32	0027	811522	GASKET SET Cylinder Head			

PART NOTES:

- [1] - CONTENTS OF 811490 GASKET SET
 [2] - CONTENTS OF 811522 GASKET SET
 CONTENTS OF 811490 GASKET SET

CAMSHAFT



47457

CAMSHAFT

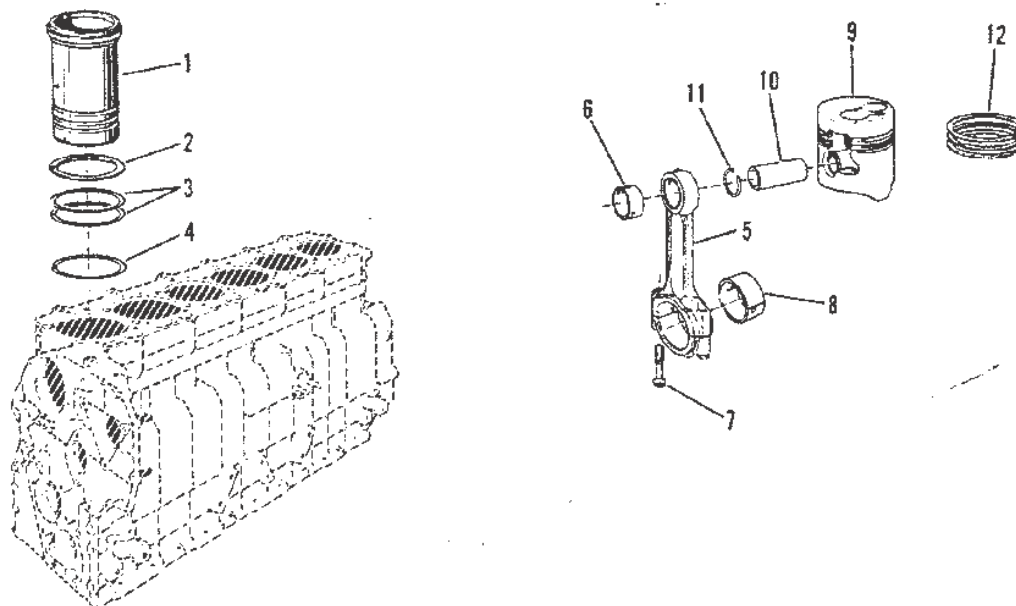
Ref #	Part Class	Part Number	Description	Comments	Qty	Note
1	0487	816798	CAMSHAFT		1	
2	0023	801331731	BUSHING (STANDARD)		4	
2	0023	801333864	BUSHING (25 mm) (.25MM)		AR	[1]
3	0028	801331735	KEY		1	
4	0000	801331733	PLATE Cam Guide		1	
5	0010	809919940	SCREW (M8 x 18)		2	
6	0013	811384	LOCKWASHER (M8)		2	
7	0043	801331736	GEAR Camshaft		1	
8	0043	811414	GEAR		1	
9	0000	816795	PUMP Oil		1	
10	0010	809919940	SCREW (M8 x 18)		3	
11	0013	809932095	LOCKWASHER		3	
12	0043	811413	GEAR		1	
13	0010	811415	SCREW		2	
14	0010	809919940	SCREW (M8 x 18)		1	
15	0013	809932095	LOCKWASHER		3	

PART NOTES:

[1] - AS REQUIRED

CONNECTING ROD AND PISTON

CONNECTING ROD AND PISTON



47458

CONNECTING ROD AND PISTON

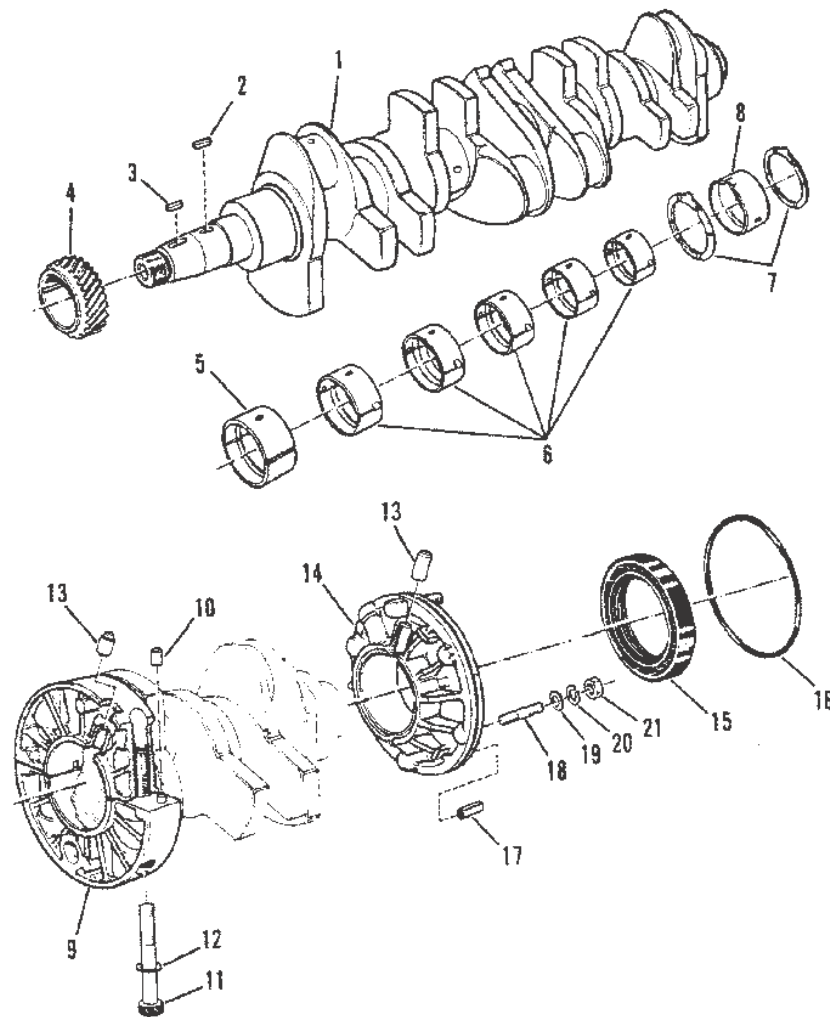
Ref #	Part Class	Part Number	Description	Comments	Qty	Note
1	0051	811369	LINER Cylinder		6	
2	0015	801331607	SHIM (15 mm) (.15MM)		AR	[1]
2	0015	801331608	SHIM (20 mm) (.20MM)		AR	[1]
2	0015	801763362	SHIM (23 mm) (.23MM)		AR	[1]
3	0025	817728	O-RING		12	[2]
4	0025	817729	O-RING		6	[2]
5	0646	816792	CONNECTING ROD		6	
6	0023	801331712	BUSHING		6	
7	0010	801331713	BOLT		12	
8	0000	801331715	BEARING Standard (STANDARD)		6	
8	0000	801331716	BEARING (25 mm) (.25MM)		AR	[3]
8	0000	801331717	BEARING (50 mm) (.50MM)		AR	[3]
9	0795	823645	PISTON		6	
10	0041	811387	PIN		6	
11	0040	801331725	RING		12	
12	0039	811386	RING Piston (OLD DESIGN)		6	
12	0039	823646	RING SET (NEW DESIGN)		6	

PART NOTES:

- [1] - CONTENTS OF 811522 GASKET SET
CONTENTS OF 811490 GASKET SET
AS REQUIRED
- [2] - CONTENTS OF 811522 GASKET SET
CONTENTS OF 811490 GASKET SET
- [3] - AS REQUIRED

CRANKSHAFT

CRANKSHAFT



47459

CRANKSHAFT

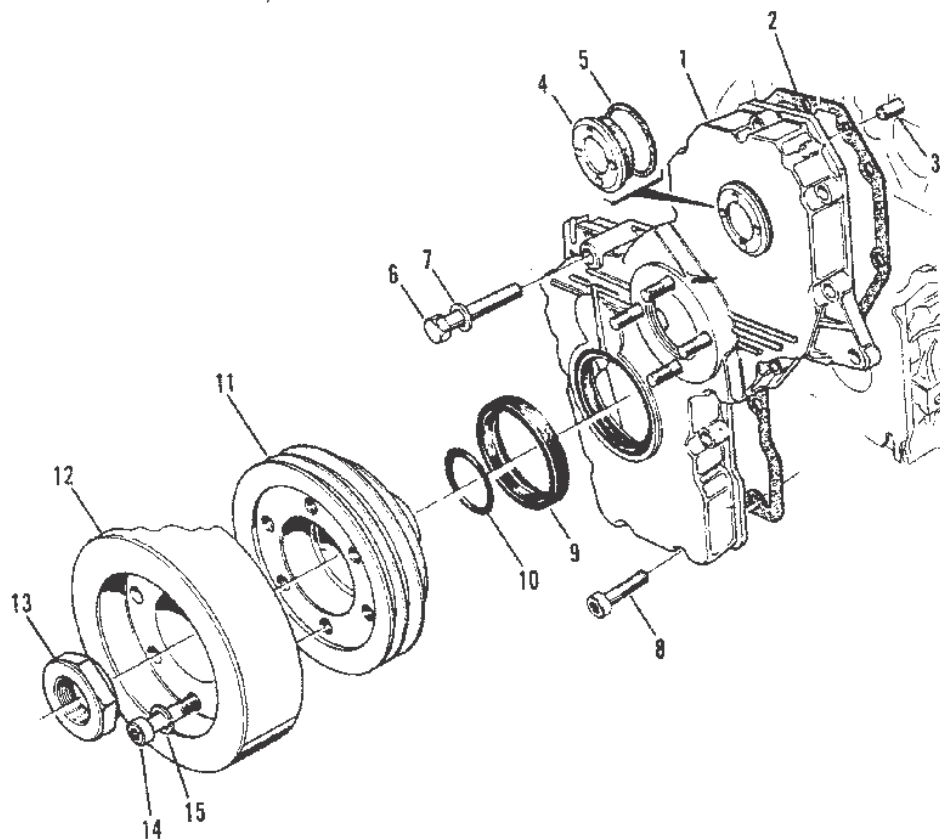
Ref #	Part Class	Part Number	Description	Comments	Qty	Note
1	0486	816782	CRANKSHAFT		1	
2	0028	801331642	KEY		1	
3	0028	801331705	KEY		1	
4	0043	801331643	GEAR Crankshaft		1	
5	0023	811376	BEARING Standard (STANDARD)		1	
5	0023	811377	BEARING (25 mm) (.25MM)		AR	[1]
5	0023	811378	BEARING (50 mm) (.50MM)		AR	[1]
6	0023	801331631	BEARING Standard (STANDARD)		5	
6	0023	801331632	BEARING (25 mm) (.25MM)		AR	[1]
6	0023	801331633	BEARING (50 mm) (.50MM)		AR	[1]
7	0012	801331639	THRUST WASHER (STANDARD)		2	
7	0012	801331640	THRUST WASHER (.10MM)		AR	[1]
7	0012	801331641	THRUST WASHER (.20MM)		AR	[1]
8	0023	801331635	BEARING (STANDARD)		1	
8	0023	801331636	BEARING (.25MM)		AR	[1]
8	0023	801331637	BEARING (.50MM)		AR	[1]
9	0000	811379	FLANGE ASSEMBLY		5	
10	0017	801331647	PIN		10	
11	0010	811382	SCREW (M10 x 90)		10	
12	0013	809932110	LOCKWASHER		10	
13	0000	811381	NOZZLE		6	
14	0000	811380	FLANGE Rear		1	
15	0026	811385	SEAL		1	
16	0025	801331654	O-RING		1	
17	0017	809941485	PIN		1	
18	0016	811383	STUD (M8 x 20)		6	
19	0012	809931067	WASHER		6	
20	0013	811384	LOCKWASHER (M8)		6	
21	0011	400213	NUT (M8) Stainless Steel		6	

PART NOTES:

[1] - AS REQUIRED

FRONT COVER

FRONT COVER



47460

FRONT COVER

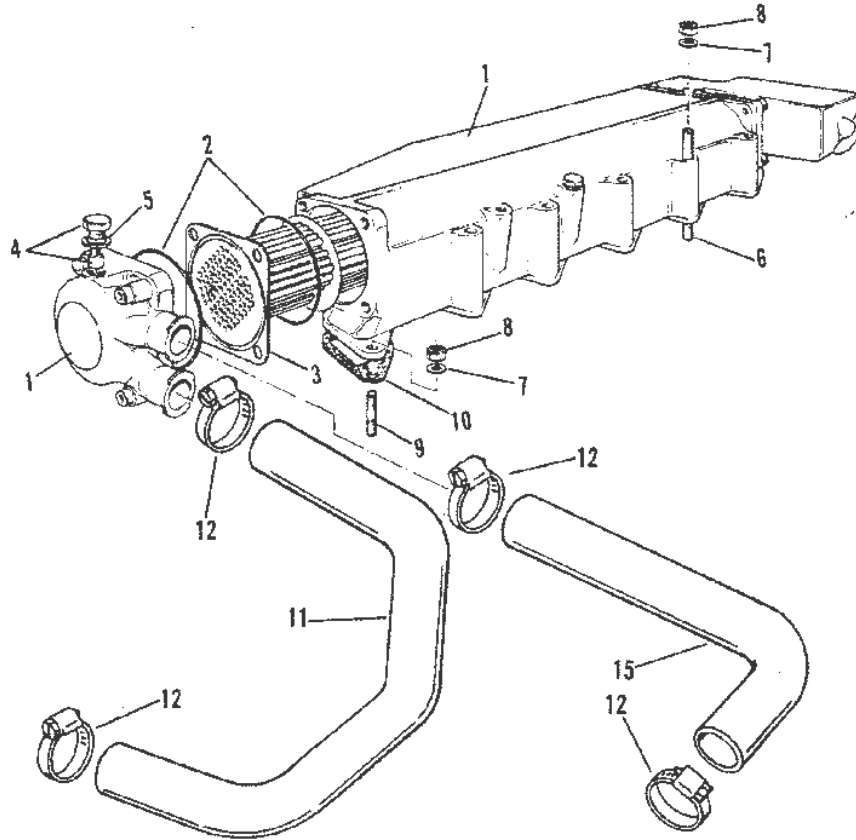
Ref #	Part Class	Part Number	Description	Comments	Qty	Note
1	0000	816786	COVER		1	
2	0027	801331616	GASKET		1	[1]
3	0017	801331212	PIN		2	
4	0000	811420	COVER		1	
5	0012	811424	WASHER		1	[1]
6	0010	809913689	SCREW		1	
7	0012	809931067	WASHER		1	
8	0010	811422	SCREW (M6 x 35)		13	
9	0026	811425	SEAL		1	
10	0025	801331706	O-RING		1	[1]
11	0000	811419	PULLEY		1	
12	0000	816556	VIBRATION DAMPER		1	
13	0011	811421	NUT		1	
14	0010	811423	SCREW (M10 x 45)		6	
15	0013	809933251	LOCKWASHER		6	
16	0027	811490	GASKET SET Engine Overhaul			

PART NOTES:

[1] - CONTENTS OF 811490 GASKET SET

AIR COOLER

AIR COOLER



47461

AIR COOLER

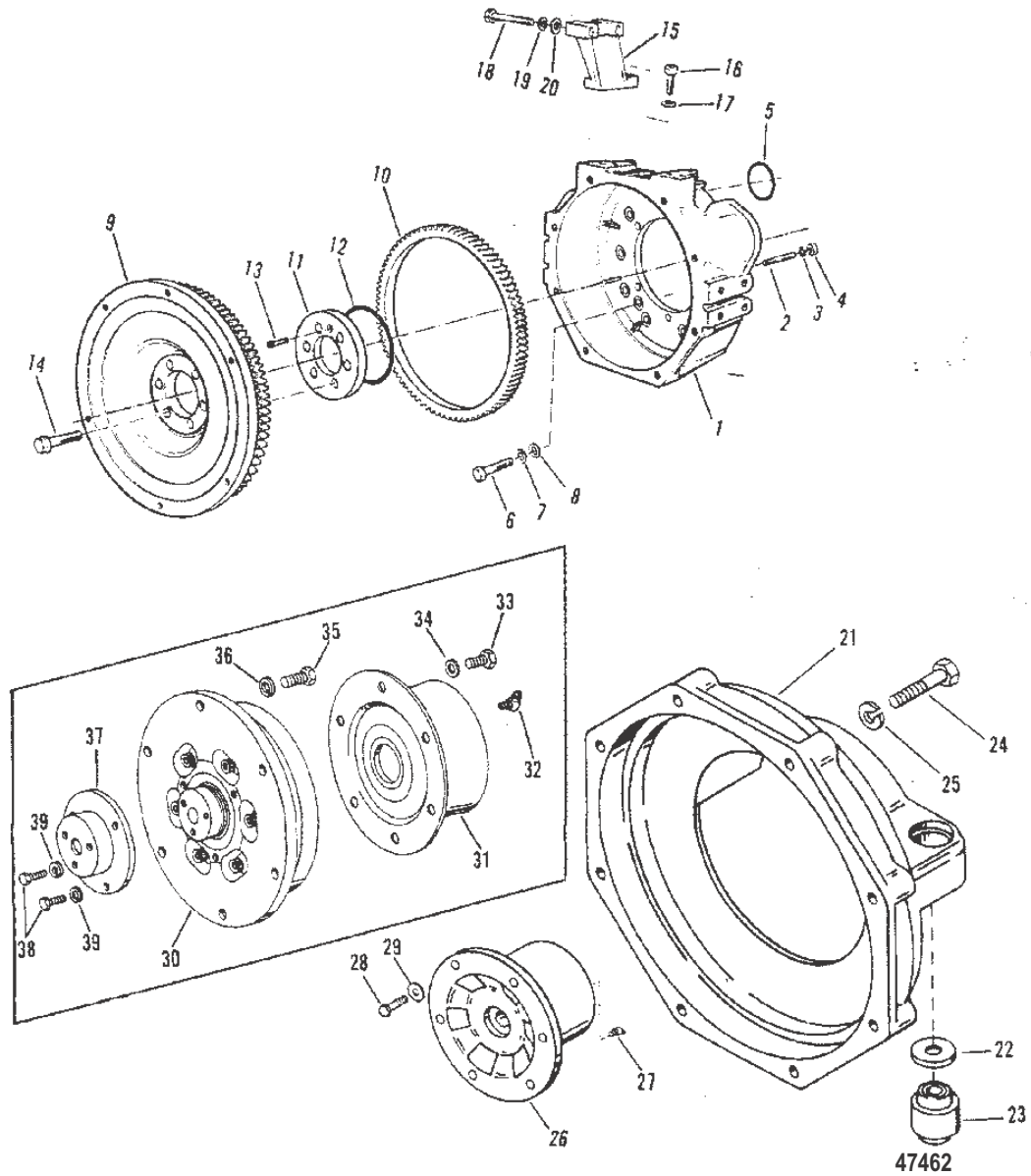
Ref #	Part Class	Part Number	Description	Comments	Qty	Note
1	0000	811484	COOLER Air		1	
2	0025	811485	O-RING		2	
3	0000	811486	RADIATOR INSERT		1	
4	0010	811487	PLUG Anode Assembly		1	
4A	0000	816000	ANODE		1	
5	0012	811483	WASHER		1	
6	0016	801763444	STUD		5	
7	0012	809931067	WASHER		7	
8	0011	801761715	NUT		7	
9	0016	801763443	STUD		2	
10	0027	801333472	GASKET		6	[1]
11	0032	805017	HOSE		1	
12	0054	801326523	CLAMP		4	
15	0032	805018	HOSE		1	
16	0027	811490	GASKET SET Engine Overhaul			

PART NOTES:

[1] - CONTENTS OF 811490 GASKET SET

FLYWHEEL HOUSING (STERN DRIVE)

FLYWHEEL HOUSING



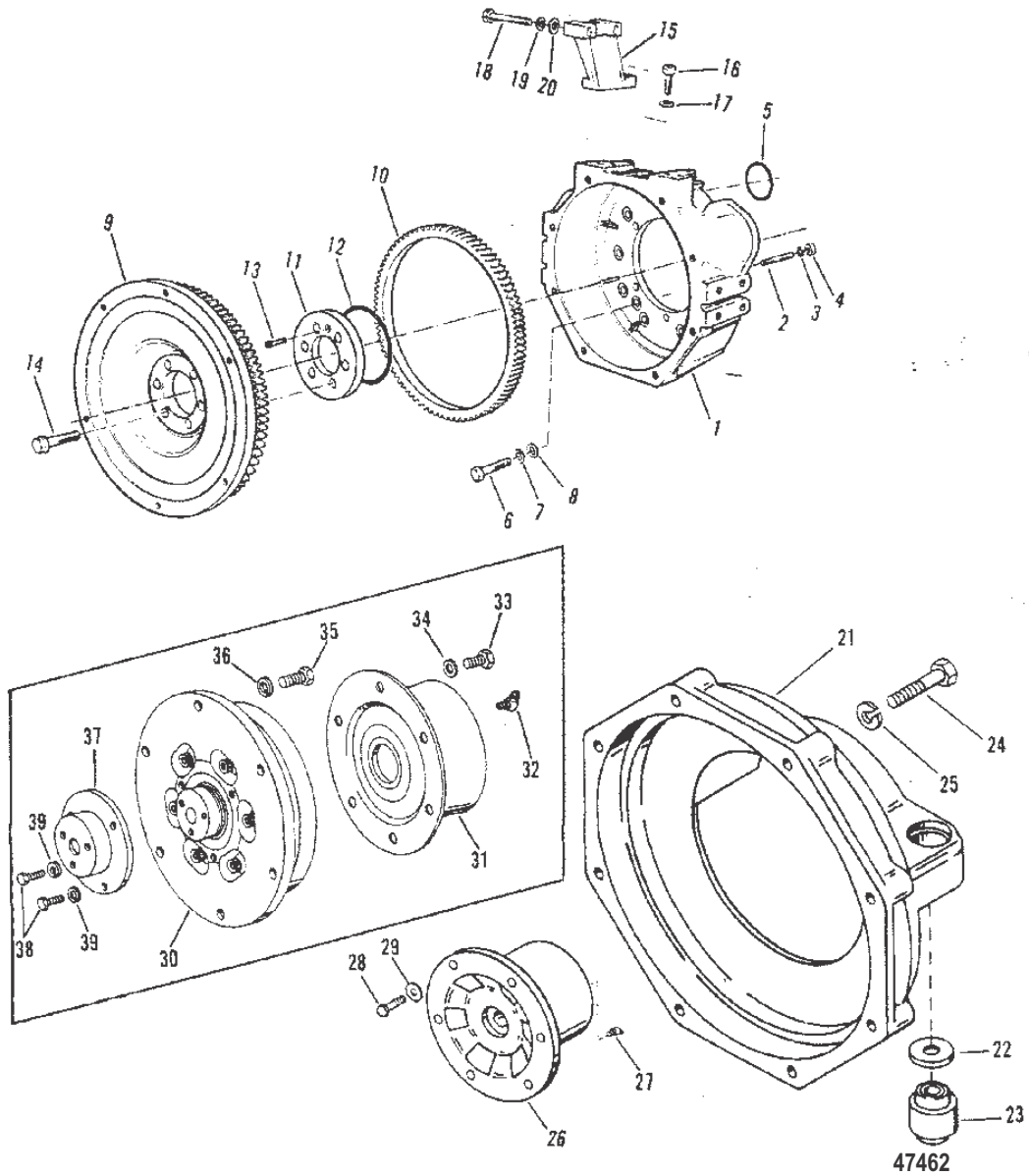
FLYWHEEL HOUSING (STERN DRIVE)

Ref #	Part Class	Part Number	Description	Comments	Qty	Note
1	0000	801331695	HOUSING Flywheel		1	
2	0016	809908402	STUD		2	
3	0013	811408	LOCKWASHER		2	
4	0011	811458	NUT		2	
5	0025	801331619	O-RING		1	[1]
6	0010	809913834	SCREW		9	
7	0013	809932112	LOCKWASHER		9	
8	0012	811459	WASHER		9	
9	0265	811453	FLYWHEEL		1	
10	0043	801331701	RING GEAR		1	
11	0000	801331697	SPACER Flywheel		1	
12	0025	811498	O-RING		1	[1]
13	0010	801331698	SCREW (M4 x 10)		1	
14	0010	811454	BOLT		6	
15	0000	816830	BRACKET		1	
16	0010	811457	SCREW (M10 x 35)		1	
17	0013	809932110	LOCKWASHER		1	
18	0010	811456	SCREW		2	
19	0013	809932095	LOCKWASHER		2	
20	0012	811455	WASHER		2	
21	0000	18718A7	HOUSING ASSEMBLY		1	
22	0023	99322	SPACER		2	
23	0000	88791	MOUNT		2	
24	0010	40001206	SCREW (M10 x 50)		8	
25	0013	809931076	LOCKWASHER		8	
26	0000	19100A3	COUPLING ASSEMBLY (SINGLE STAGE COUPLING)		1	
27	0022	49099	FITTING (SINGLE STAGE COUPLING)		2	
28	0010	40001192	SCREW (M10 x 25) (SINGLE STAGE COUPLING)		6	
29	0013	400248	LOCKWASHER (M10) (SINGLE STAGE COUPLING)		6	
30	0000	18311A10	COUPLING ASSEMBLY (DUAL STAGE COUPLING)		1	
31	0000	18311A13	COUPLING ASSEMBLY (DUAL STAGE COUPLING)		1	
32	0022	49099	FITTING (DUAL STAGE COUPLING)		2	
33	0010	40001189	SCREW (M10 x 20) (DUAL STAGE COUPLING)		6	
34	0013	400248	LOCKWASHER (M10) (DUAL STAGE COUPLING)		6	
35	0010	40001134	SCREW (M8 x 25) (DUAL STAGE COUPLING)		6	
36	0013	400247	LOCKWASHER (M8) (DUAL STAGE COUPLING)		6	
37	0000	805731	COUPLER (DUAL STAGE COUPLING)		1	

FLYWHEEL HOUSING (STERN DRIVE)

FLYWHEEL HOUSING (STERN DRIVE)

FLYWHEEL HOUSING



Cat.# 90-81841193

FLYWHEEL HOUSING (STERN DRIVE)

Ref #	Part Class	Part Number	Description	Comments	Qty	Note
38	0010	4000175	SCREW (M6 x 20) (DUAL STAGE COUPLING)		6	
39	0013	26992	LOCKWASHER (.250) Stainless Steel (DUAL STAGE COUPLING)		6	
40	0027	811490	GASKET SET Engine Overhaul			

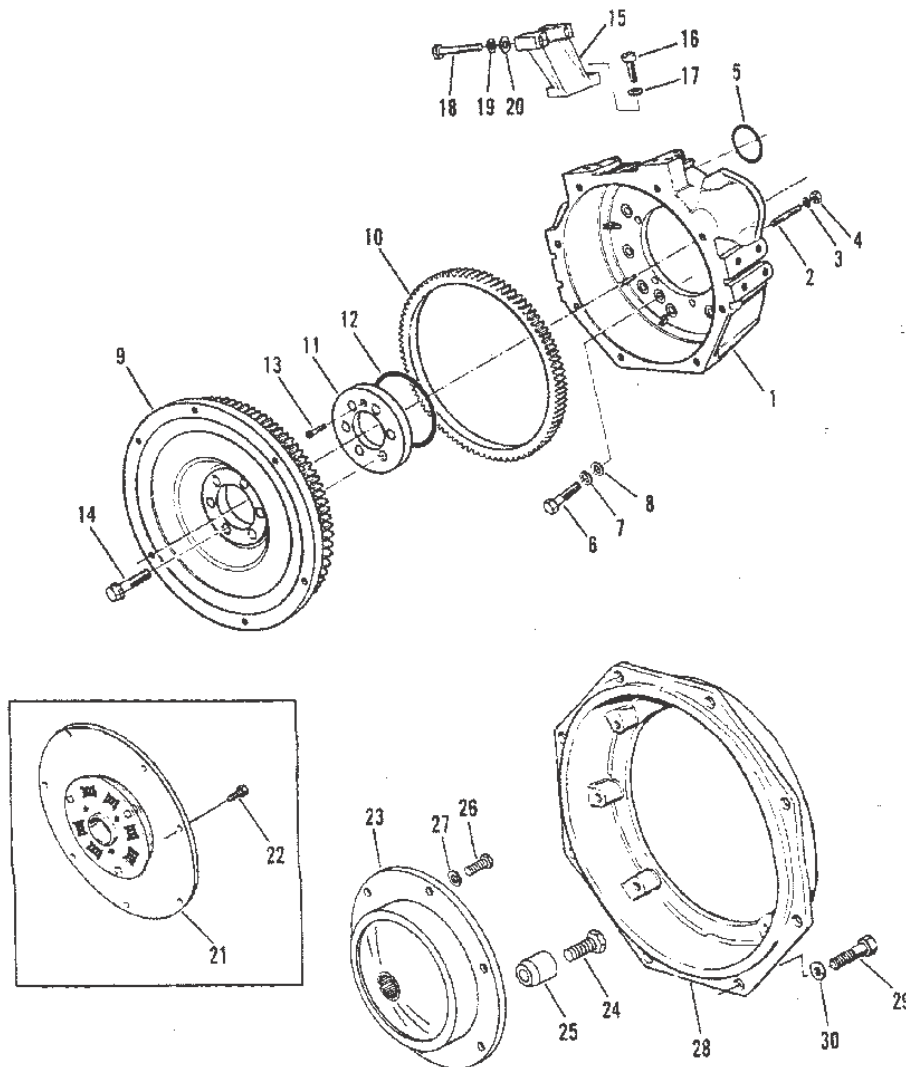
PART NOTES:

[1] - CONTENTS OF 811490 GASKET SET

FLYWHEEL HOUSING (STERN DRIVE)

FLYWHEEL HOUSING/DRIVE PLATE (INBOARD)

FLYWHEEL HOUSING/DRIVE PLATE



47463

FLYWHEEL HOUSING/DRIVE PLATE (INBOARD)

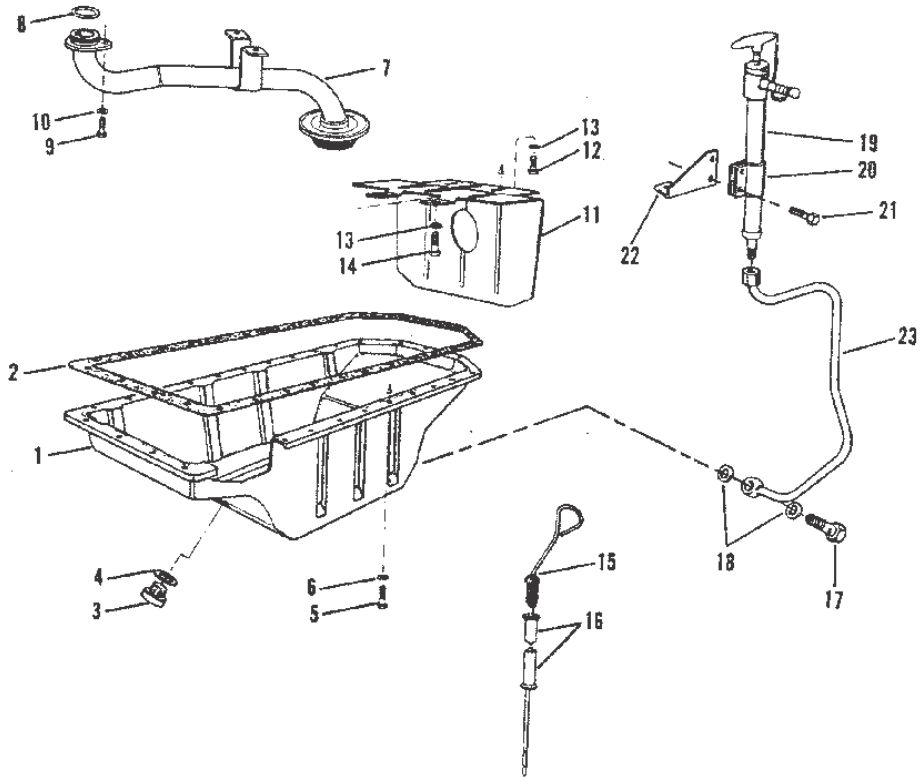
Ref #	Part Class	Part Number	Description	Comments	Qty	Note
1	0000	801331695	HOUSING Flywheel		1	
2	0016	809908402	STUD		2	
3	0013	811408	LOCKWASHER		2	
4	0011	811458	NUT		2	
5	0025	801331619	O-RING		1	[1]
6	0010	809913834	SCREW		9	
7	0013	809932112	LOCKWASHER		9	
8	0012	811459	WASHER		9	
9	0265	811453	FLYWHEEL		1	
10	0043	801331701	RING GEAR		1	
11	0000	801331697	SPACER Flywheel		1	
12	0025	811498	O-RING		1	[1]
13	0010	801331698	SCREW (M4 x 10)		1	
14	0010	811454	BOLT		6	
15	0000	816830	BRACKET		1	
16	0010	811457	SCREW (M10 x 35)		1	
17	0013	809932110	LOCKWASHER		1	
18	0010	811456	SCREW		2	
19	0013	809932095	LOCKWASHER		2	
20	0012	811455	WASHER		2	
21	0000	816170	DRIVEPLATE ASSEMBLY (DRIVE PLATE)		1	
22	0010	809913815	SCREW (10MM) (DRIVE PLATE)		6	
23	0000	805045A3	COUPLER ASSEMBLY (2 STAGE COUPLER)		1	
24	0010	80510915	SCREW (2 STAGE COUPLER)		4	
25	0000	805110	SNUBBER (2 STAGE COUPLER)		4	
26	0010	40001192	SCREW (M10 x 25) (2 STAGE COUPLER)		6	
27	0013	400248	LOCKWASHER (M10) (2 STAGE COUPLER)		6	
28	0000	815928	COVER PLATE		1	
29	0010	40001206	SCREW (M10 x 50) (50MM)		7	
29	0010	40001203	SCREW (M10 x 45) (45MM)		1	
30	0013	809931076	LOCKWASHER		8	
31	0027	811490	GASKET SET Engine Overhaul			

PART NOTES:

[1] - CONTENTS OF 811490 GASKET SET

OIL PAN

OIL PAN



47464

OIL PAN

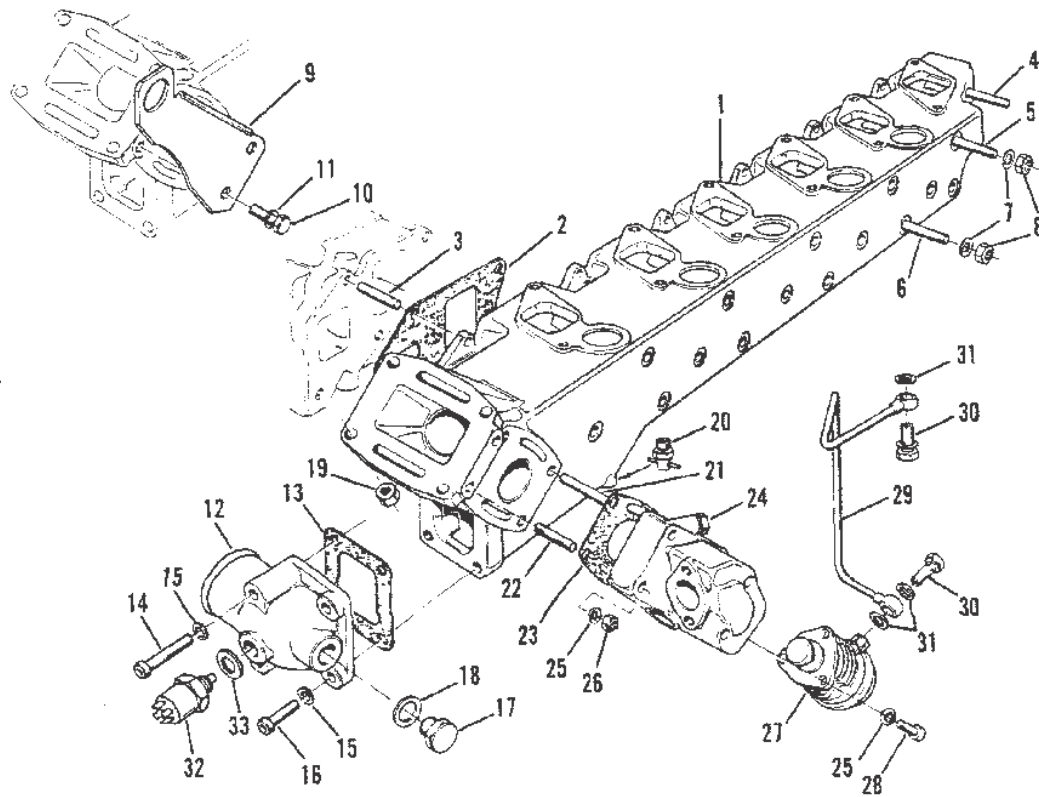
Ref #	Part Class	Part Number	Description	Comments	Qty	Note
1	0000	816553	PAN Oil		1	
2	0027	801331613	GASKET Oil Pan		1	[1]
3	0010	801763445	SCREW		2	
4	0012	809963354	WASHER		2	[1]
5	0010	809913466	SCREW (M6 x 16)		29	
6	0012	809931044	WASHER		29	
7	0000	816554	TUBE		1	
8	0025	801333415	O-RING		1	[1]
9	0010	809913466	SCREW (M6 x 16)		1	
10	0013	811427	LOCKWASHER		1	
11	0000	811426	BRACKET		1	
12	0010	809913450	SCREW		3	
13	0012	809931044	WASHER		5	
14	0010	809913466	SCREW (M6 x 16)		2	
15	0000	801763600	DIPSTICK		1	
16	0000	801333425	DIPSTICK TUBE		1	
17	0010	801117181	BOLT Banjo (OLD DESIGN)		1	
18	0012	809963201	WASHER (OLD DESIGN)		2	
19	0000	801761921	PUMP Oil Suction (OLD DESIGN)		1	
20	0054	801763973	CLAMP (OLD DESIGN)		1	
21	0010	809913477	SCREW (OLD DESIGN)		2	
22	0000	801763923	BRACKET (OLD DESIGN)		1	
23	0032	816152	PIPE Oil Drain (OLD DESIGN)		1	

PART NOTES:

[1] - CONTENTS OF 811490 GASKET SET

EXHAUST MANIFOLD

EXHAUST MANIFOLD



47465

EXHAUST MANIFOLD

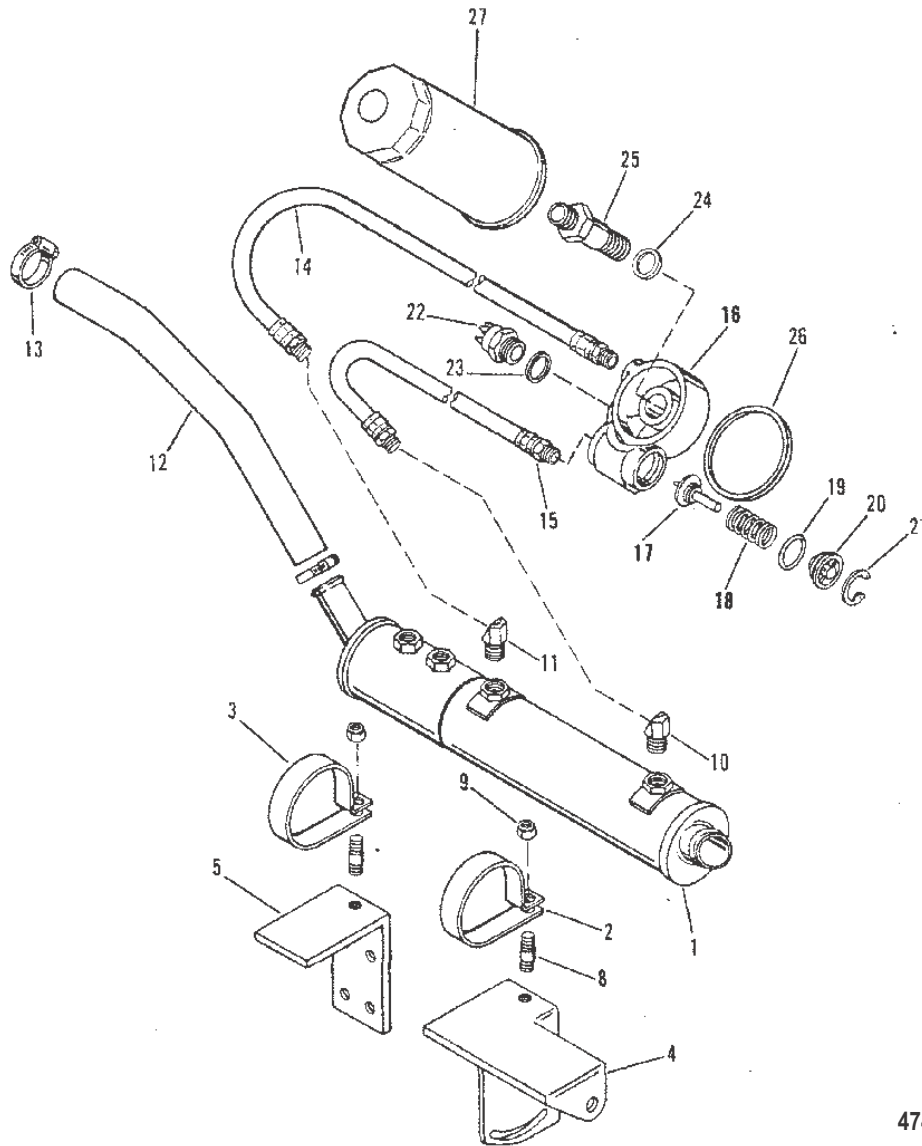
Ref #	Part Class	Part Number	Description	Comments	Qty	Note
1	0000	811440	MANIFOLD Exhaust		1	
2	0027	801333449	GASKET		6	[1]
3	0016	801761038	STUD		6	
4	0016	801333451	STUD (M8 x 90)		2	
5	0016	811449	STUD		4	
6	0016	801333448	STUD (M8 x 140)		12	
7	0013	811451	LOCKWASHER		18	
8	0011	811400	NUT		18	
9	0000	801763446	LIFTING EYE		1	
10	0010	811448	SCREW		2	
11	0013	809932095	LOCKWASHER		2	
12	0000	811441	COVER		1	
13	0027	811445	GASKET		1	[2]
14	0010	811447	SCREW		2	
15	0013	809932062	LOCKWASHER		4	
16	0010	809919926	SCREW (M6 x 25)		2	
17	0010	809919131	SCREW (M22 x 1.5)		1	
18	0012	809963354	WASHER		1	
19	0011	801763448	NUT		4	
20	0022	801331684	FITTING Drain		1	
21	0016	811442	STUD		2	
22	0016	811443	STUD		2	
23	0027	811446	GASKET		1	[2]
24	0000	811439	WASTEGATE		1	
25	0012	811450	WASHER		13	
26	0011	811452	NUT		10	
27	0000	816789	VALVE		1	
28	0010	809919965	SCREW		3	
29	0032	811444	LINE		1	
30	0010	801761165	BOLT Banjo (M8 x 1.00) Banjo		2	
31	0025	809963042	O-RING		4	[2]
32	0087	814079	SENDER Water Temperature		1	
33	0012	809963201	WASHER		1	
34	0027	811490	GASKET SET Engine Overhaul			
35	0027	811522	GASKET SET Cylinder Head			

PART NOTES:

- [1] - CONTENTS OF 811522 GASKET SET
 CONTENTS OF 811490 GASKET SET
- [2] - CONTENTS OF 811490 GASKET SET

OIL COOLER AND OIL FILTER (STERN DRIVE)

OIL COOLER AND OIL FILTER



47466

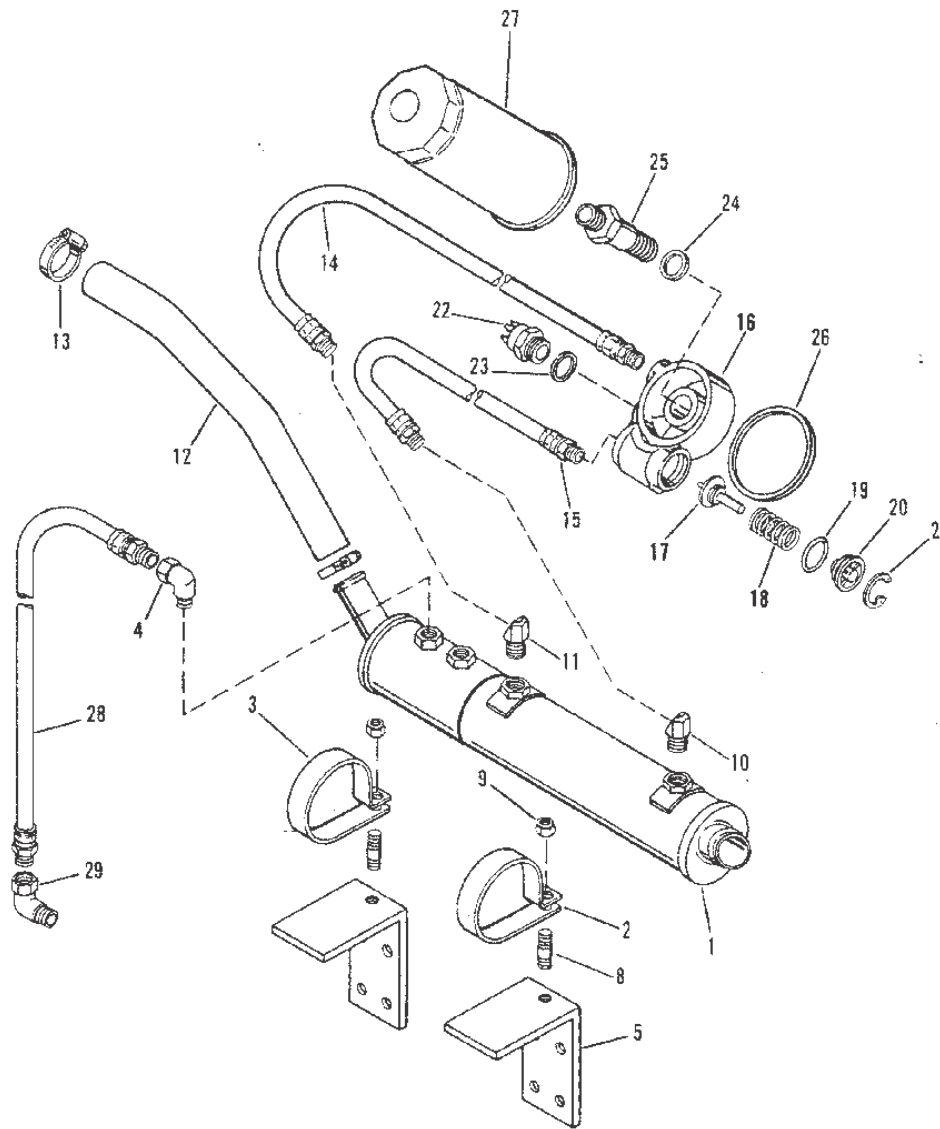
OIL COOLER AND OIL FILTER (STERN DRIVE)

Ref #	Part Class	Part Number	Description	Comments	Qty	Note
1	0000	816156T	COOLER Oil		1	
2	0054	814858	CLIP		1	
3	0054	816182	CLAMP		1	
4	0000	816340	BRACKET		1	
5	0000	816157	BRACKET		1	
8	0016	809908147	STUD		2	
9	0011	815088	NUT (M8)		2	
10	0022	63825	ELBOW		1	
11	0022	48872	FITTING 45 Degree Elbow		1	
12	0032	816735	HOSE		1	
13	0054	801326639	CLAMP		2	
14	0032	9235759	HOSE (34")		1	
15	0032	9235750	HOSE Oil (25")		1	
16	0000	816161T	ADAPTOR Oil Filter		1	
17	0000	816163	THERMOSTAT		1	
18	0024	816162	SPRING		1	
19	0025	816678	O-RING		1	
20	0000	816165	COVER		1	
21	0053	816166	RING Retaining		1	
22	0087	814078	SENDER Oil Temperature		1	
23	0012	809963201	WASHER		1	
24	0000	809963355	WASHER		1	
25	0022	816167	FITTING		1	
26	0025	805732	O-RING (2.612 x .103)		1	
27	0035	816168	FILTER Oil		1	

OIL COOLER AND OIL FILTER (STERN DRIVE)

OIL COOLER AND OIL FILTER (INBOARD)

OIL COOLER AND OIL FILTER



47467

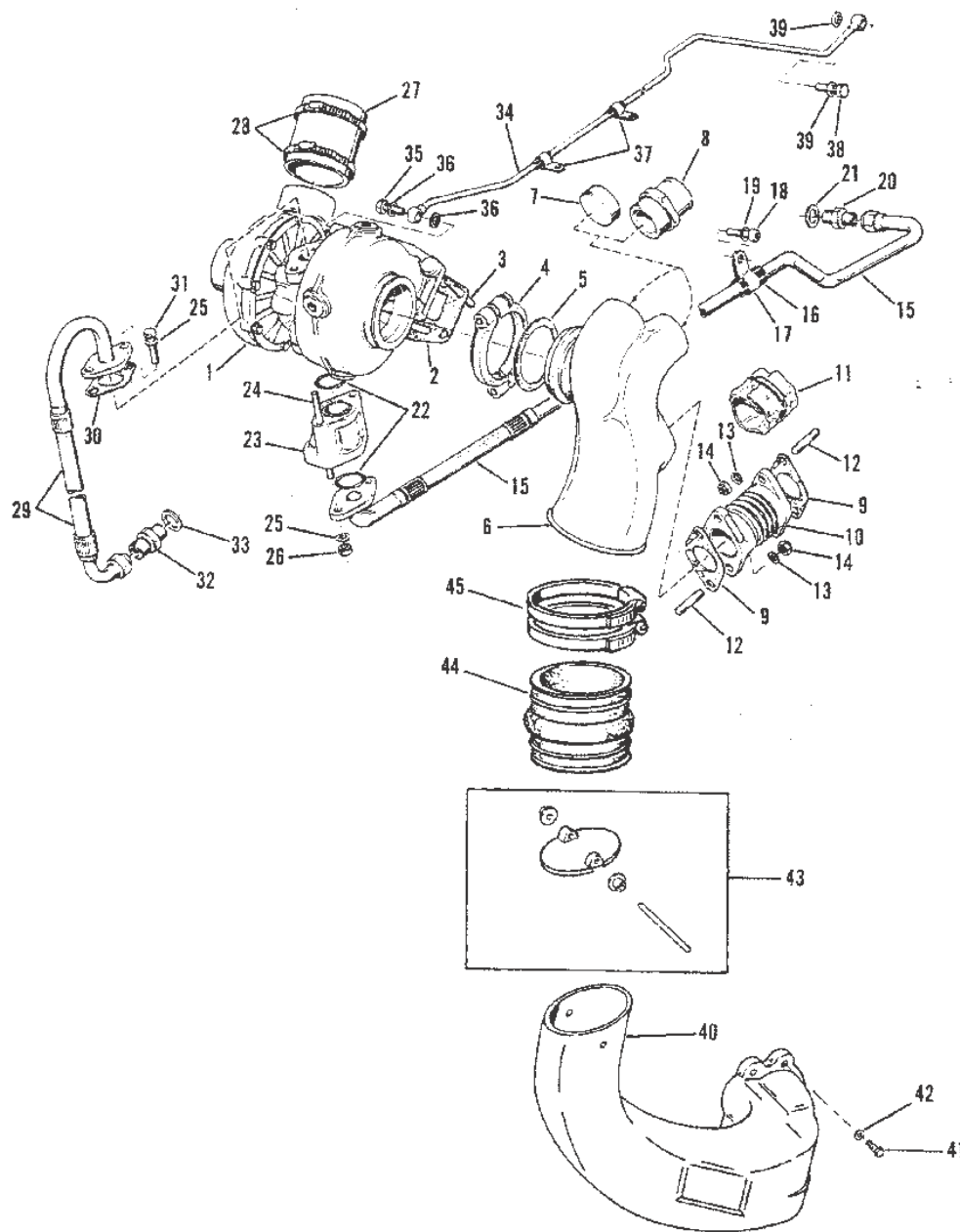
OIL COOLER AND OIL FILTER (INBOARD)

Ref #	Part Class	Part Number	Description	Comments	Qty	Note
1	0000	816156T	COOLER Oil		1	
2	0054	814858	CLIP		1	
3	0054	816182	CLAMP		1	
4	0022	35580	FITTING		2	
5	0000	816157	BRACKET		1	
8	0016	809908132	STUD		2	
9	0011	809922426	NUT		2	
10	0022	63825	ELBOW		1	
11	0022	48872	FITTING 45 Degree Elbow		1	
12	0032	816735	HOSE		1	
13	0054	801326639	CLAMP		2	
14	0032	9235759	HOSE (34")		1	
15	0032	9235750	HOSE Oil (25")		1	
16	0000	816161T	ADAPTOR Oil Filter		1	
17	0000	816163	THERMOSTAT		1	
18	0024	816162	SPRING		1	
19	0025	816678	O-RING		1	
20	0000	816165	COVER		1	
21	0053	816166	RING Retaining		1	
22	0087	814078	SENDER Oil Temperature		1	
23	0012	809963201	WASHER		1	
24	0000	809963355	WASHER		1	
25	0022	816167	FITTING		1	
26	0025	801331195	O-RING		1	
27	0035	816168	FILTER Oil		1	
28	0032	8126995	HOSE (35.50 Inches Bulk) (35-1/2")		1	
28	0032	8126996	HOSE Oil (38")		1	
29	0022	63835	ELBOW 45 Degree		2	

OIL COOLER AND OIL FILTER (INBOARD)

TURBO CHARGER/EXHAUST ELBOW (STERN DRIVE)

TURBO CHARGER/EXHAUST ELBOW



47468

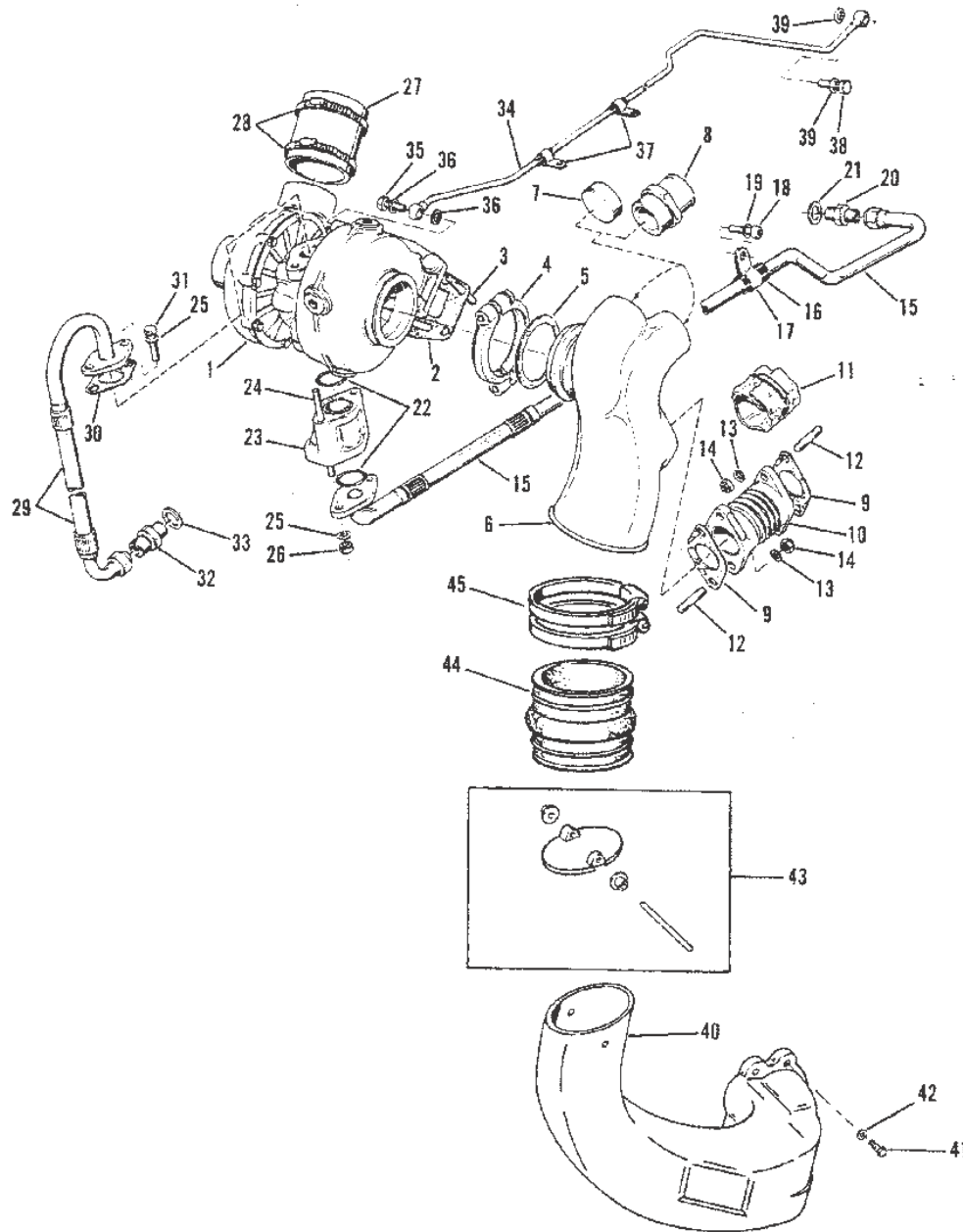
TURBO CHARGER/EXHAUST ELBOW (STERN DRIVE)

Ref #	Part Class	Part Number	Description	Comments	Qty	Note
1	0000	816791	TURBO CHARGER (808714 REPAIR KIT)		1	
2	0027	801333454	GASKET		1	[1]
3	0016	801333453	STUD (M10 x 30)		4	
4	0054	801763272	CLAMP		1	
5	0027	817089	GASKET		1	[1]
6	0000	805602A2	ELBOW Exhaust		1	
7	0022	91016	PLUG		1	
8	0022	816871	CONNECTOR		1	
9	0027	817077	GASKET		2	[1]
10	0000	805582	FLEX TUBE		1	
11	0000	816831	BLANKET		1	
12	0016	809909067	STUD		4	
13	0013	809930840	LOCKWASHER		4	
14	0011	400213	NUT (M8) Stainless Steel		4	
15	0032	811468	PIPE Oil		1	
16	0023	811466	SLEEVE		1	
17	0054	811467	CLIP		1	
18	0010	811463	SCREW		1	
19	0013	811460	LOCKWASHER		1	
20	0022	801333464	FITTING		1	
21	0025	809963342	O-RING		1	[1]
22	0025	811461	O-RING		2	[1]
23	0000	811470	HOUSING		1	
24	0016	811462	STUD		2	
25	0013	811460	LOCKWASHER		4	
26	0011	400213	NUT (M8) Stainless Steel		2	
27	0032	891889	HOSE		1	
28	0054	801333457	CLAMP		2	
29	0032	801763455	PIPE Oil		1	
30	0027	801333462	GASKET		1	[1]
31	0010	811448	SCREW		2	
32	0022	801763389	FITTING		1	
33	0012	809963201	WASHER		1	[1]
34	0000	816537	VENT PIPE		1	
35	0010	811465	SCREW		1	
36	0012	809963072	WASHER		2	[1]
37	0054	92041	CLIP		2	
38	0010	811401	BOLT Banjo (M12) Banjo		1	
39	0012	811438	WASHER		2	[1]
40	0000	805013T	PIPE Exhaust		1	
41	0010	58640	SCREW (.375-16 x 1.25)		4	
42	0013	41471	LOCKWASHER (.375)		4	
43	0000	14348A1	SHUTTER ASSEMBLY Water		1	
44	0032	815529	TUBE Exhaust		1	
45	0054	801763219	CLAMP		4	

TURBO CHARGER/EXHAUST ELBOW (STERN DRIVE)

TURBO CHARGER/EXHAUST ELBOW (STERN DRIVE)

TURBO CHARGER/EXHAUST ELBOW



47468

Cat.# 90-81841193

TURBO CHARGER/EXHAUST ELBOW (STERN DRIVE)

Ref #	Part Class	Part Number	Description	Comments	Qty	Note
46	0027	811490	GASKET SET Engine Overhaul			

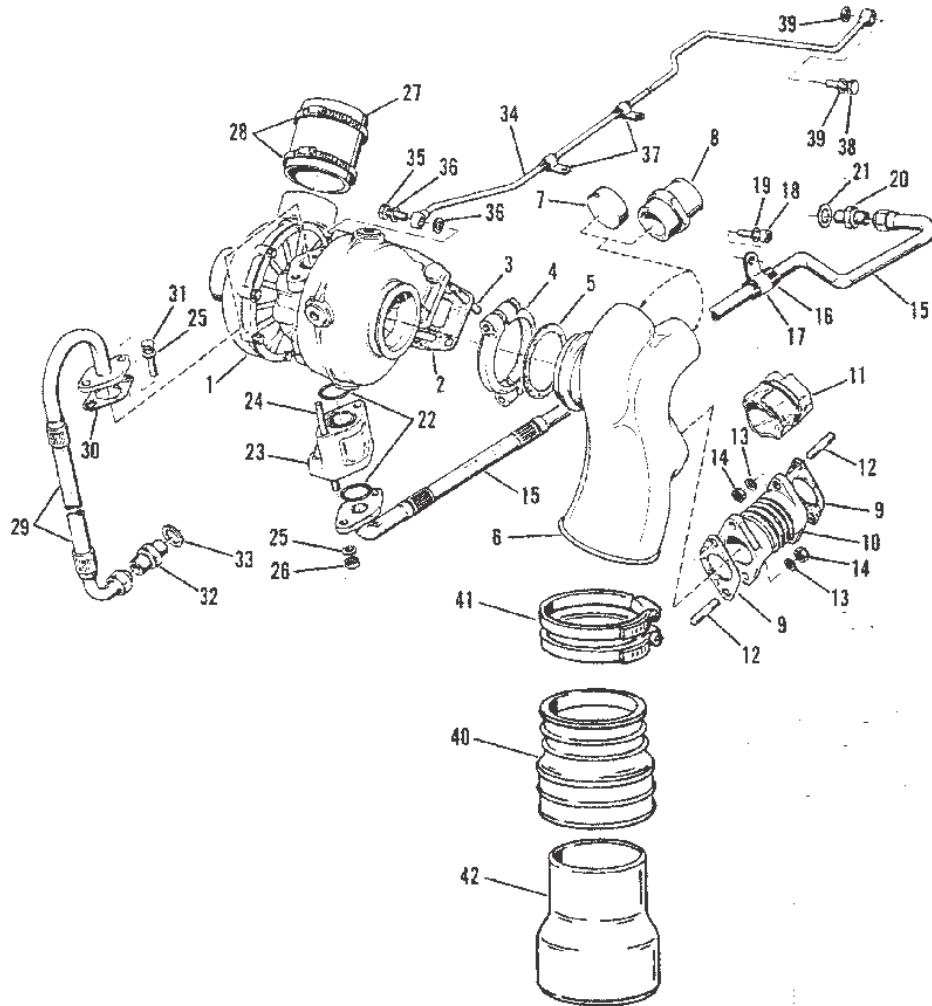
PART NOTES:

[1] - CONTENTS OF 811490 GASKET SET

TURBO CHARGER/EXHAUST ELBOW (STERN DRIVE)

TURBO CHARGER/EXHAUST ELBOW (INBOARD)

TURBO CHARGER/EXHAUST ELBOW



47469

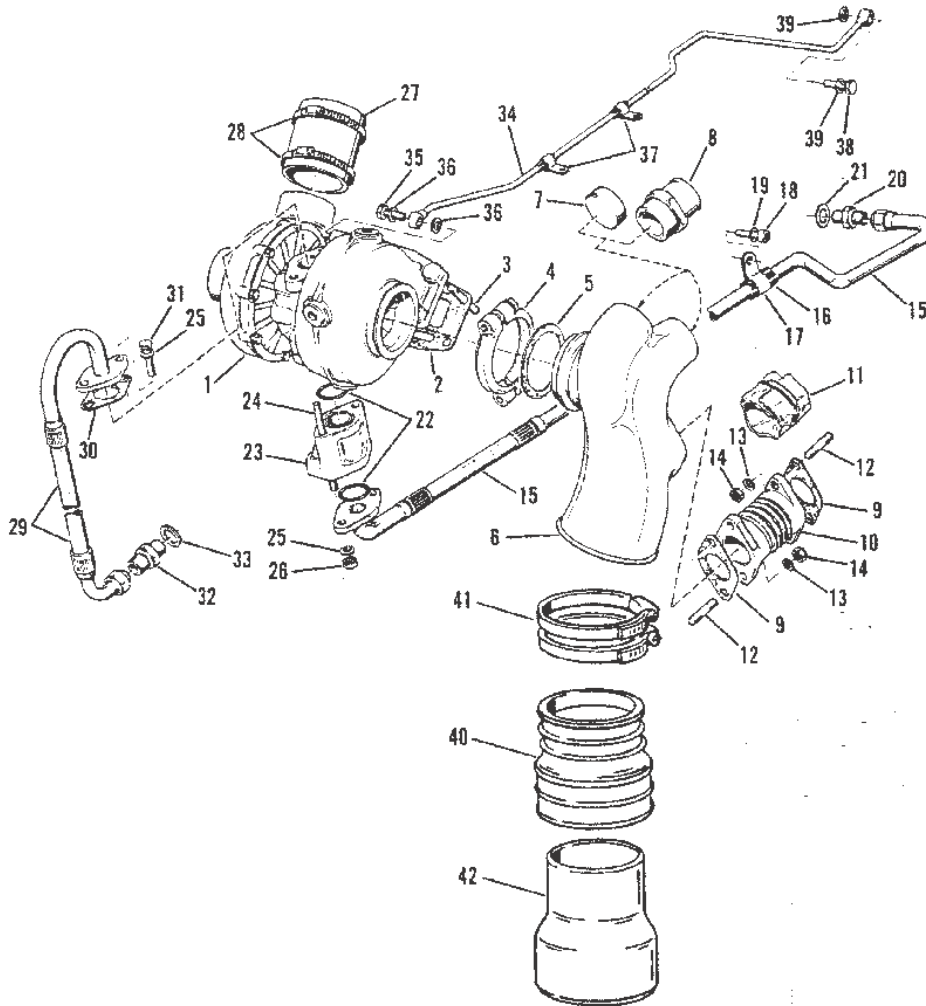
TURBO CHARGER/EXHAUST ELBOW (INBOARD)

Ref #	Part Class	Part Number	Description	Comments	Qty	Note
1	0000	816791	TURBO CHARGER (808714 REPAIR KIT)		1	
2	0027	801333454	GASKET		1	[1]
3	0016	801333453	STUD (M10 x 30)		4	
4	0054	801763272	CLAMP		1	
5	0027	817089	GASKET		1	[1]
6	0000	805602A2	ELBOW Exhaust		1	
7	0022	91016	PLUG		1	
8	0022	816871	CONNECTOR		1	
9	0027	817077	GASKET		2	[1]
10	0000	805583	FLEX TUBE		1	
11	0000	816831	BLANKET		1	
12	0016	809909067	STUD		4	
13	0013	809930840	LOCKWASHER		4	
14	0011	400213	NUT (M8) Stainless Steel		4	
15	0032	811468	PIPE Oil		1	
16	0023	811466	SLEEVE		1	
17	0054	811467	CLIP		1	
18	0010	811463	SCREW		1	
19	0013	811460	LOCKWASHER		1	
20	0022	801333464	FITTING		1	
21	0025	809963342	O-RING		1	[1]
22	0025	811461	O-RING		2	[1]
23	0000	811470	HOUSING		1	
24	0016	811462	STUD		2	
25	0013	811460	LOCKWASHER		4	
26	0011	400213	NUT (M8) Stainless Steel		2	
27	0032	891889	HOSE		1	
28	0054	801333457	CLAMP		2	
29	0032	801763455	PIPE Oil		1	
30	0027	801333462	GASKET		1	[1]
31	0010	811448	SCREW		2	
32	0022	801763389	FITTING		1	
33	0012	809963201	WASHER		1	[1]
34	0000	816537	VENT PIPE		1	
35	0010	811465	SCREW		1	
36	0012	809963072	WASHER		2	[1]
37	0054	92041	CLIP		2	
38	0010	811401	BOLT Banjo (M12) Banjo		1	
39	0012	811438	WASHER		2	[1]
40	0032	815529	TUBE Exhaust		1	
41	0054	801763219	CLAMP		4	
42	0000	818184T	ADAPTER Exhaust		1	
43	0027	811490	GASKET SET Engine Overhaul			

TURBO CHARGER/EXHAUST ELBOW (INBOARD)

TURBO CHARGER/EXHAUST ELBOW (INBOARD)

TURBO CHARGER/EXHAUST ELBOW



47469

Cat.# 90-81841193

TURBO CHARGER/EXHAUST ELBOW (INBOARD)

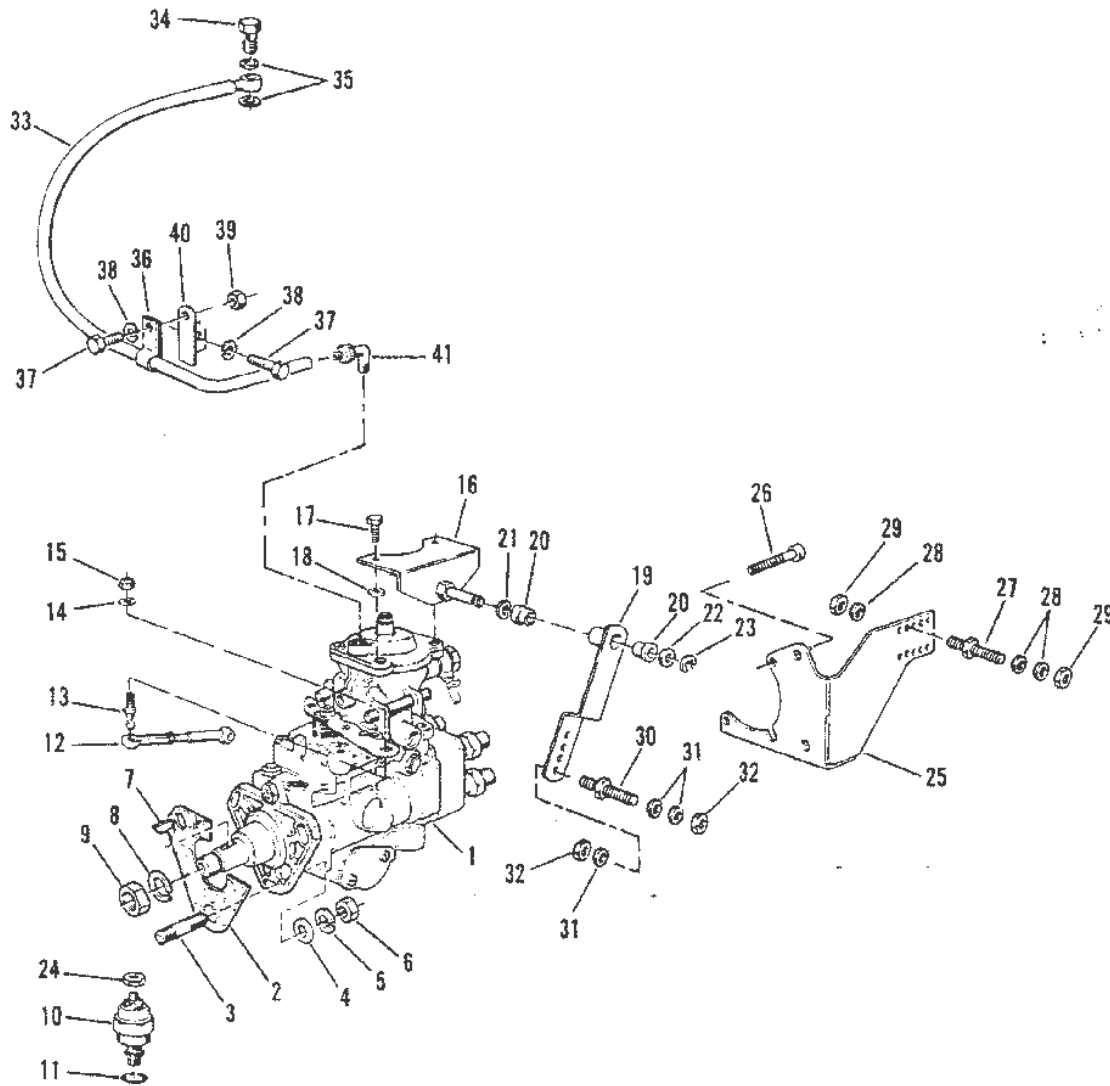
PART NOTES:

[1] - CONTENTS OF 811490 GASKET SET

TURBO CHARGER/EXHAUST ELBOW (INBOARD)

INJECTION PUMP

INJECTION PUMP



47470

INJECTION PUMP

Ref #	Part Class	Part Number	Description	Comments	Qty	Note
1	0000	816550	PUMP Injection		1	
2	0027	801765017	GASKET		1	[1]
3	0016	811402	STUD		3	
4	0012	811409	WASHER		3	
5	0013	811384	LOCKWASHER (M8)		3	
6	0011	811400	NUT		3	
7	0028	811404	KEY		1	
8	0013	811408	LOCKWASHER		1	
9	0011	811403	NUT		1	
10	0000	811406	VALVE Fuel Shut Off		1	
11	0012	811407	WASHER		1	
12	0000	801333856	ROD KIT Link		1	
13	0017	809987302	PIN		1	
14	0012	809931036	WASHER		2	
15	0011	809922410	NUT		1	
16	0000	801761674	BEARING Angle		1	
17	0010	809913466	SCREW (M6 x 16)		2	
18	0012	809931652	WASHER		2	
19	0000	801763525	LEVER		1	
20	0023	801256320	BUSHING		2	
21	0013	809932095	LOCKWASHER		1	
22	0013	809932646	LOCKWASHER		1	
23	0053	809932852	E CLIP		1	
24	0011	809922038	NUT		1	
25	0000	801763441	ANGLE Support		1	
26	0010	801761847	SCREW		2	
27	0016	38525	STUD		1	
28	0012	24664	WASHER (M4 x 20)		3	
29	0011	35888	NUT (.250-28) Stainless Steel		2	
30	0016	96112	STUD (.250-28 x 2.00) Throttle Cable Anchor		1	
31	0012	24664	WASHER (M4 x 20)		3	
32	0011	35888	NUT (.250-28) Stainless Steel		2	
33	0032	801763467	TUBE Boost Pressure		1	
34	0010	801333874	SCREW Banjo (M10) Banjo		1	
35	0012	809963072	WASHER		2	
36	0054	801761758	CLAMP		1	
37	0010	809913218	SCREW (M5 x 10)		2	
38	0013	809932047	LOCKWASHER		2	
39	0011	809922038	NUT		1	
40	0000	801761757	SUPPORT		1	
41	0022	801333873	CONNECTOR		1	
42	0027	811490	GASKET SET Engine Overhaul			

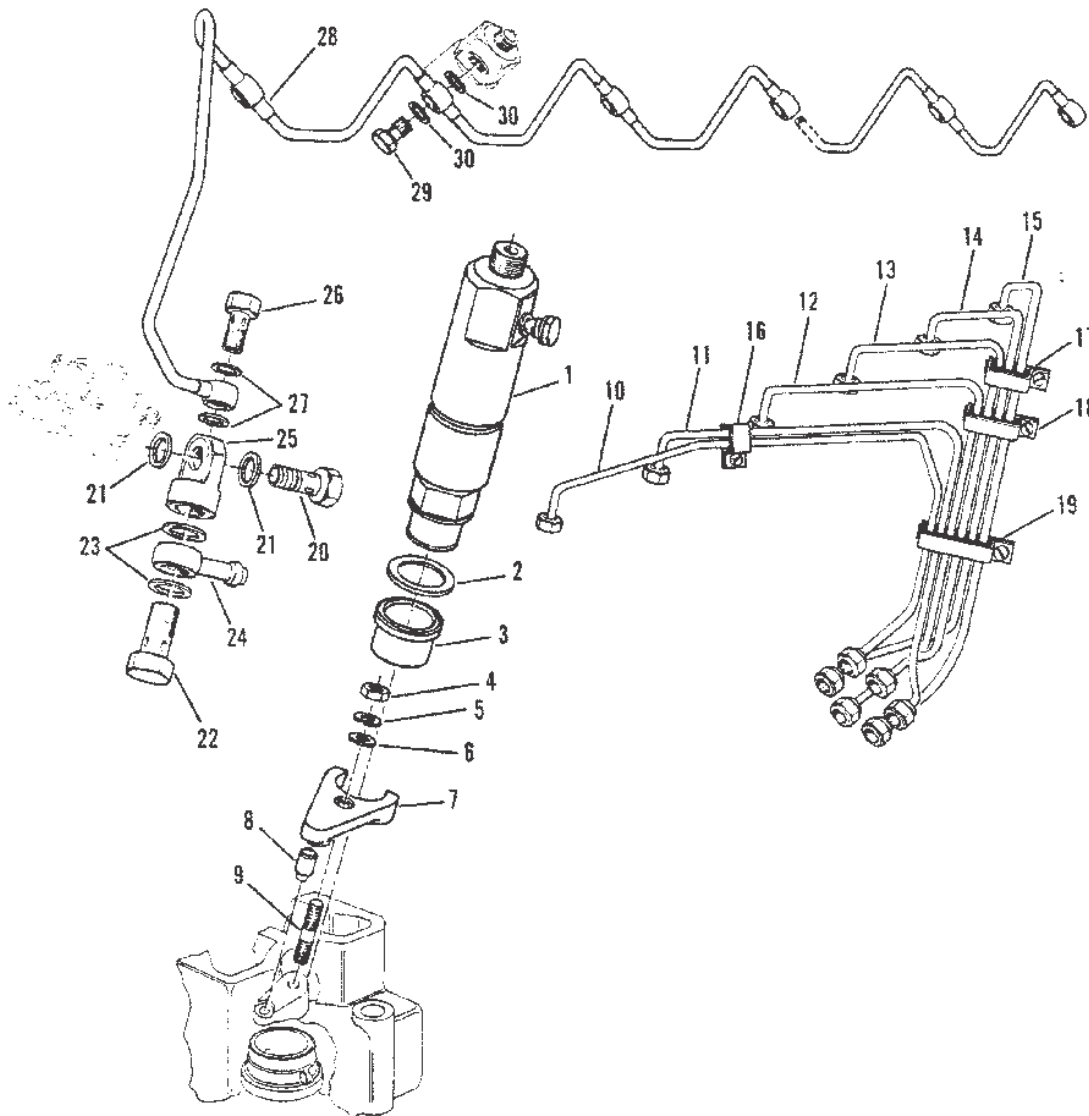
PART NOTES:

[1] - CONTENTS OF 811490 GASKET SET

INJECTION PUMP

INJECTION NOZZLE/LINES

INJECTION NOZZLE/LINES



47471

INJECTION NOZZLE/LINES

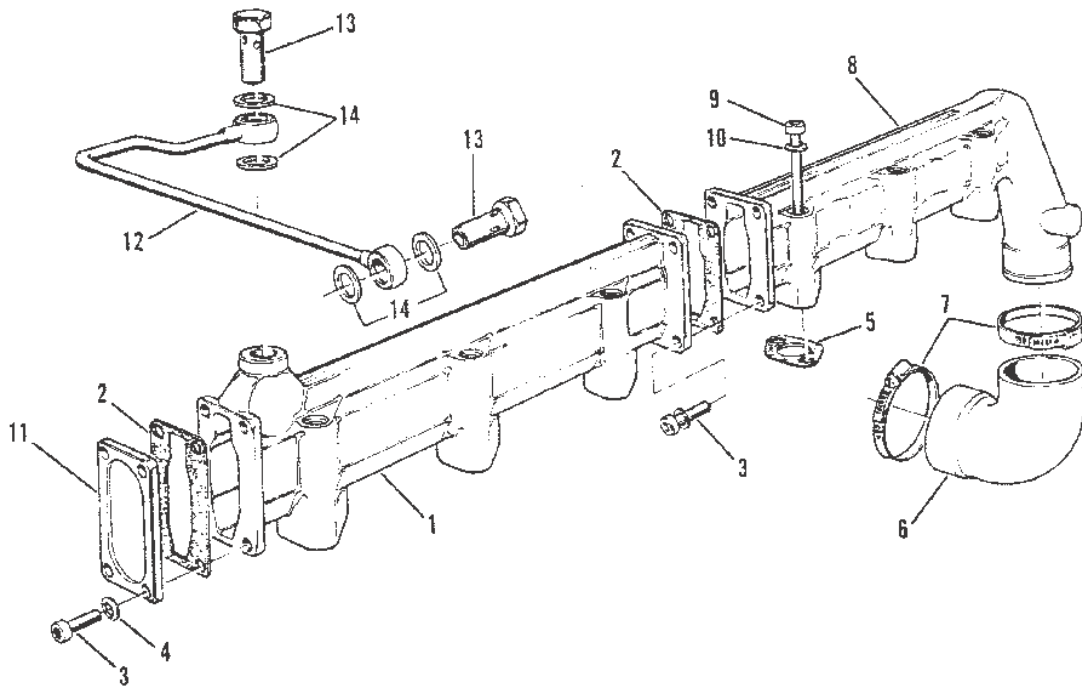
Ref #	Part Class	Part Number	Description	Comments	Qty	Note
1	0000	816545	INJECTION NOZZLE		6	
2	0012	801331234	WASHER		6	[1]
3	0023	801331213	BUSHING		6	
4	0011	811400	NUT		6	
5	0013	811384	LOCKWASHER (M8)		6	
6	0012	811399	WASHER		6	
7	0000	801331236	CLAMP Injection Nozzle Hold Down		6	
8	0023	801331235	SPACER		6	
9	0016	801333875	STUD		6	
10	0032	801331242	PRESSURE PIPE (CYLINDER 1)		1	
11	0032	801331243	PRESSURE PIPE (CYLINDER 2)		1	
12	0032	801331244	PRESSURE PIPE (CYLINDER 3)		1	
13	0032	801331245	PRESSURE PIPE (CYLINDER 4)		1	
14	0032	801331246	PRESSURE PIPE (CYLINDER 5)		1	
15	0032	801331247	PRESSURE PIPE (CYLINDER 6)		1	
16	0054	801331248	CLAMP		1	
17	0054	801331249	CLAMP		1	
18	0054	801331238	CLAMP		1	
19	0054	801331239	CLAMP		1	
20	0010	801761166	SCREW		1	
21	0012	811405	WASHER Sealing		2	
22	0010	811410	SCREW (M14)		1	
23	0012	811412	WASHER		2	
24	0000	801763843	FITTING		1	
25	0000	801761163	CONNECTOR Return		1	
26	0010	801761165	BOLT Banjo (M8 x 1.00) Banjo		1	
27	0025	809963042	O-RING		2	[2]
28	0032	801331240	RETURN PIPE		1	
29	0010	801331233	BOLT Banjo		6	
30	0012	811411	WASHER Sealing		12	[1]
31	0027	811490	GASKET SET Engine Overhaul			
32	0027	811522	GASKET SET Cylinder Head			

PART NOTES:

- [1] - CONTENTS OF 811522 GASKET SET
 CONTENTS OF 811490 GASKET SET
- [2] - CONTENTS OF 811490 GASKET SET

MANIFOLD STRIP

MANIFOLD STRIP



47472

MANIFOLD STRIP

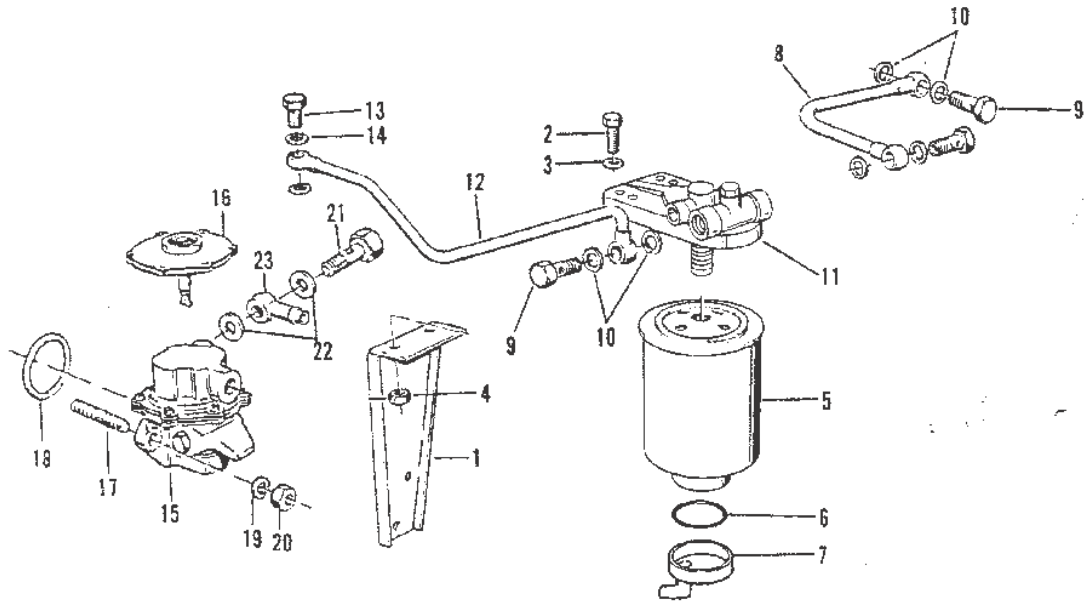
Ref #	Part Class	Part Number	Description	Comments	Qty	Note
1	0000	816785	STRIP Manifold (FRONT)		1	
2	0027	811434	GASKET		2	[1]
3	0010	809919781	SCREW (M6 x 18)		8	
4	0013	809932062	LOCKWASHER		8	
5	0027	801331204	GASKET		6	[2]
6	0000	811433	ELBOW		1	
7	0054	811435	CLAMP		2	
8	0000	816784	STRIP Manifold (REAR)		1	
9	0010	811436	SCREW (M6 x 80)		6	
10	0012	811437	WASHER		6	
11	0000	811432	COVER		1	
12	0000	816787	VENT PIPE		1	
13	0010	811401	BOLT Banjo (M12) Banjo		2	
14	0012	811438	WASHER		4	
15	0027	811490	GASKET SET Engine Overhaul			
16	0027	811522	GASKET SET Cylinder Head			

PART NOTES:

- [1] - CONTENTS OF 811490 GASKET SET
 [2] - CONTENTS OF 811522 GASKET SET
 CONTENTS OF 811490 GASKET SET

FUEL FILTER

FUEL FILTER



47473

FUEL FILTER

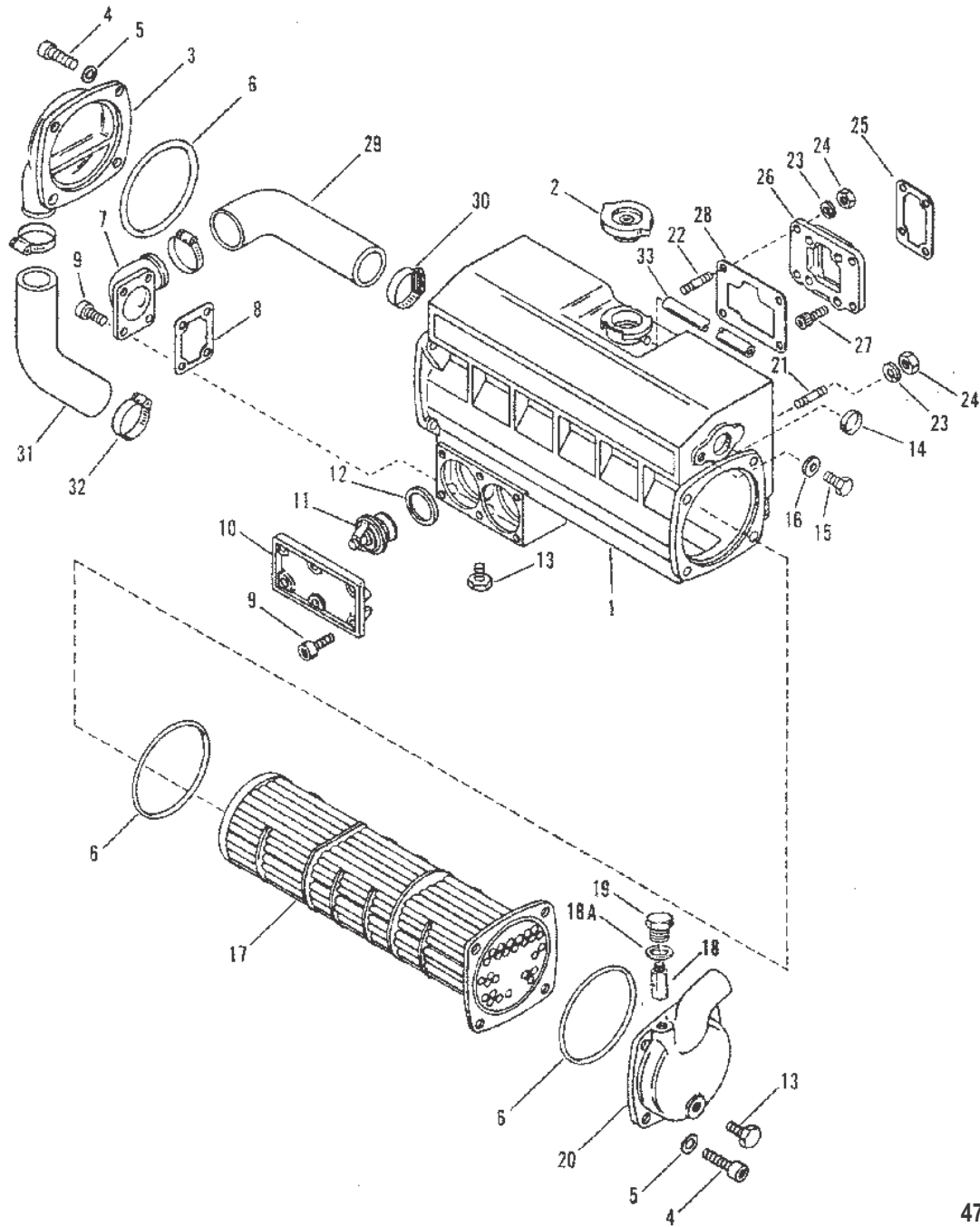
Ref #	Part Class	Part Number	Description	Comments	Qty	Note
1	0000	801763598	BRACKET		1	
2	0010	809919669	SCREW		2	
3	0013	809931076	LOCKWASHER		2	
4	0011	809922113	NUT		2	
5	0035	19486	FILTER Fuel		1	
6	0025	801288696	O-RING		1	
7	0000	801285906	CAP Drain		1	
8	0032	801763809	PIPE		1	
9	0010	801117181	BOLT Banjo		3	
10	0012	809963201	WASHER		6	
11	0000	805112	PUMP Primer		1	
12	0032	801763210	PIPE		1	
13	0010	801119240	BOLT Banjo		1	
14	0025	809963129	WASHER		2	
15	0000	811416	PUMP ASSEMBLY Fuel		1	
16	0000	801333865	DIAPHRAGM		1	
17	0016	811383	STUD (M8 x 20)		2	
18	0025	801331219	O-RING		1	[1]
19	0013	811418	LOCKWASHER		2	
20	0011	811417	NUT		2	
21	0010	811410	SCREW (M14)		1	
22	0012	811412	WASHER		2	
23	0000	801763843	FITTING		1	
24	0027	811490	GASKET SET Engine Overhaul			

PART NOTES:

[1] - CONTENTS OF 811490 GASKET SET

COOLING WATER TANK

COOLING WATER TANK



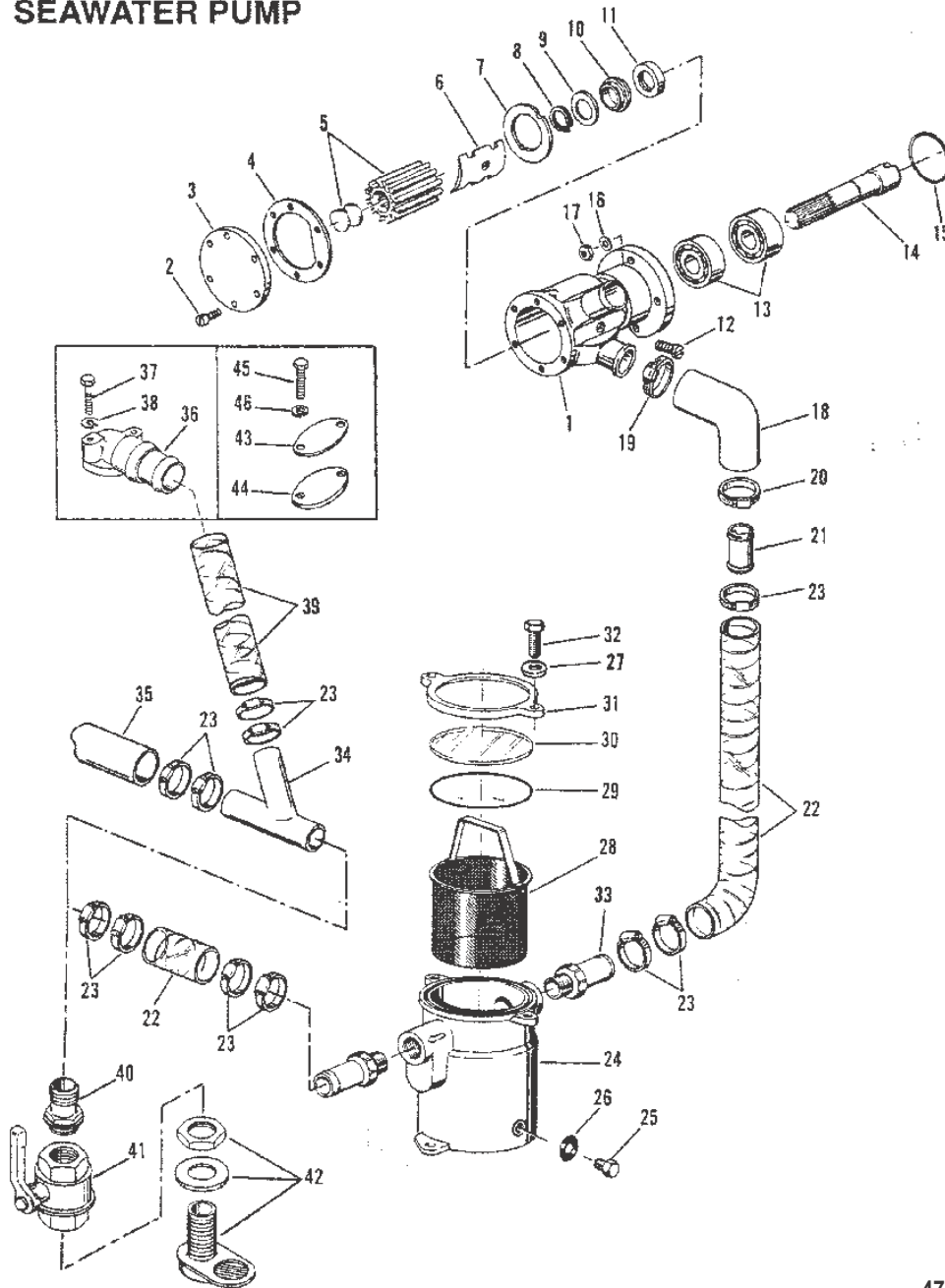
47474

COOLING WATER TANK

Ref #	Part Class	Part Number	Description	Comments	Qty	Note
1	0000	816011A3	HEAT EXCHANGER		1	
2	0036	13130	CAP Pressure		1	
3	0000	815992	END CAP		1	
4	0010	4007535	SCREW (M8 x 40)		8	
5	0013	809932095	LOCKWASHER		8	
6	0025	816005	O-RING		3	
7	0000	815988	OUTLET FITTING		1	
8	0027	816006	GASKET		1	
9	0010	4007416	SCREW (M6 x 16)		10	
10	0000	816009	THERMOSTAT COVER		1	
11	0000	816008	THERMOSTAT		2	
12	0027	816007	GASKET Thermostat		2	
13	0019	815997	PLUG		2	
14	0019	816001	WELCH PLUG		2	
15	0010	809913624	SCREW		1	
16	0025	809963042	O-RING		1	
17	0000	816010	INSERT		1	
18	0000	816000	ANODE		1	
18A	0012	811483	WASHER		1	
19	0019	815999	PLUG		1	
20	0000	815991	END CAP		1	
21	0016	809908132	STUD		3	
22	0016	809909067	STUD		4	
23	0012	4002217	WASHER		7	
24	0011	400213	NUT (M8) Stainless Steel		7	
25	0027	816676	GASKET		1	
26	0000	815987	ADAPTOR		1	
27	0010	809919969	SCREW		4	
28	0027	816677	GASKET		1	
29	0032	815989	HOSE		1	
30	0054	801326523	CLAMP		2	
31	0032	816155	HOSE		1	
32	0054	801326639	CLAMP		2	
33	0032	811471	HOSE		1	

SEAWATER PUMP (STERN DRIVE)

SEAWATER PUMP



D-254 DIESEL ENGINE

47475

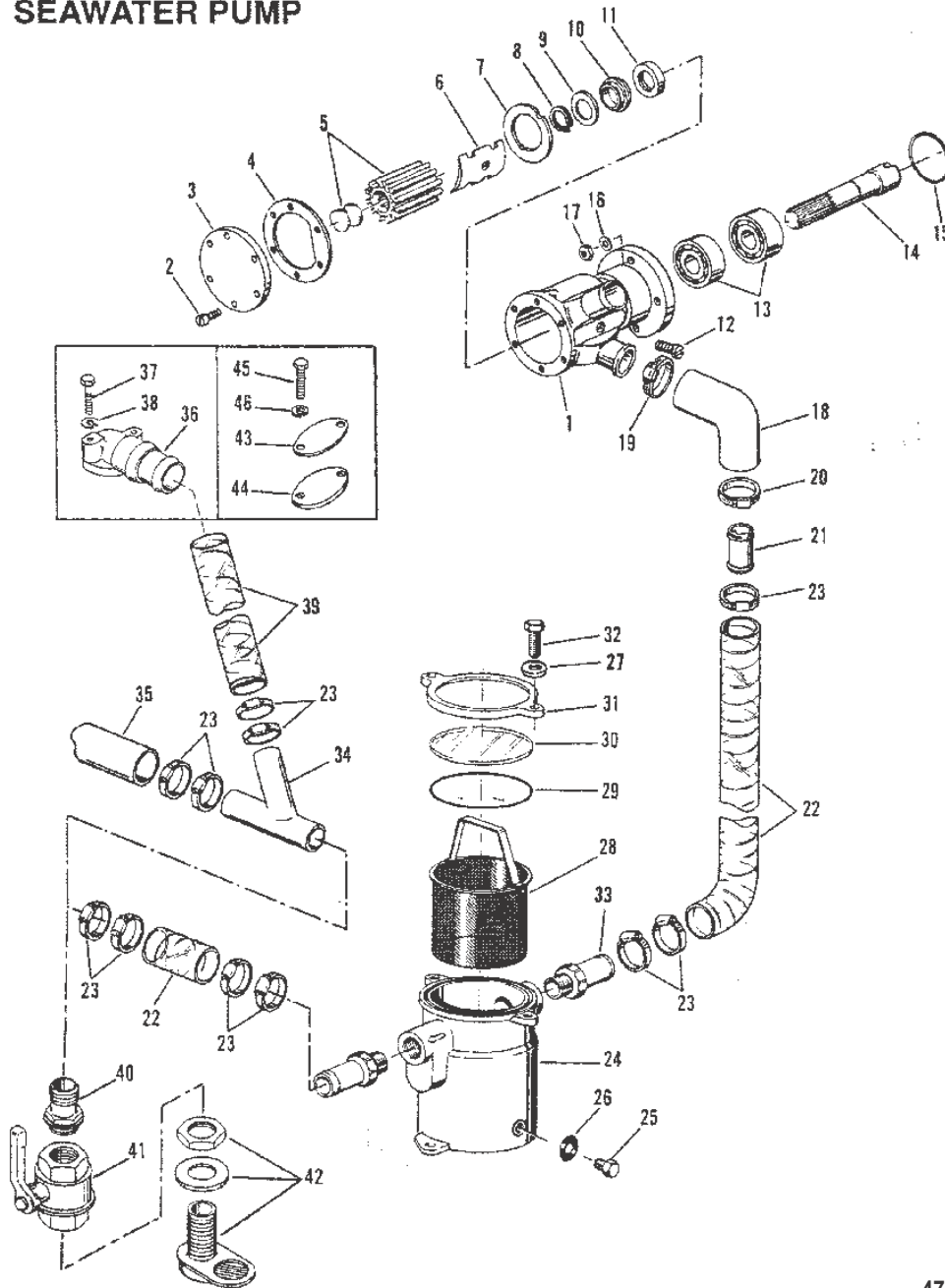
SEAWATER PUMP (STERN DRIVE)

Ref #	Part Class	Part Number	Description	Comments	Qty	Note
1	0046	816248	PUMP ASSEMBLY		1	
2	0010	801332608	SCREW		6	
3	0000	801332607	COVER		1	
4	0027	801332606	GASKET		1	
5	0047	816814	IMPELLER		1	
6	0000	816813	CAM		1	
7	0012	801332601	WEAR PLATE		1	
8	0053	816815	RING		1	
9	0023	816816	SPACER		1	
10	0000	816817	SEAL		1	
11	0026	816818	SEAL		1	
12	0010	801332604	SCREW		1	
13	0030	816819	BEARING		2	
14	0000	816820	SHAFT		1	
15	0025	801333850	O-RING		1	
16	0013	809932095	LOCKWASHER		4	
17	0011	809922417	NUT		4	
18	0032	816174	HOSE		1	
19	0054	801328048	CLAMP		1	
20	0054	801326639	CLAMP		1	
21	0032	816173	HOSE Reducer		1	
22	0032	816172	HOSE		2	
23	0054	801326639	CLAMP		AR	[1]
24	0035	816171	FILTER		1	
25	0010	801763853	PLUG		1	
26	0012	809963201	WASHER		1	
27	0013	809930840	LOCKWASHER		2	
28	0000	801763855	ELEMENT		1	
29	0025	801763856	O-RING		1	
30	0000	801763857	WINDOW		1	
31	0000	801763858	COVER		1	
32	0010	801763859	SCREW		2	
33	0022	816339	NOZZLE		2	
34	0022	816863	Y-FITTING (OLD DESIGN)		1	
35	0032	801331258	HOSE (OLD DESIGN)		1	
36	0022	815395	CONNECTOR (OLD DESIGN)		1	
37	0010	70602	SCREW (.250-20 x 2.00) (OLD DESIGN)		2	
38	0013	21272	LOCKWASHER (.250) (OLD DESIGN)		2	
39	0032	816172	HOSE (OLD DESIGN)		1	
40	0022	818172	CONNECTOR (NEW DESIGN)		1	
41	0020	818171	VALVE (NEW DESIGN)		1	
42	0022	818170	STAINER (NEW DESIGN)		1	
43	0000	818304	COVER (NEW DESIGN)		1	
44	0027	818305	GASKET (NEW DESIGN)		1	

SEAWATER PUMP (STERN DRIVE)

SEAWATER PUMP (STERN DRIVE)

SEAWATER PUMP



D-254 DIESEL ENGINE

47475

Cat.# 90-81841193

SEAWATER PUMP (STERN DRIVE)

Ref #	Part Class	Part Number	Description	Comments	Qty	Note
45	0010	28636	SCREW (.250-20 x .750) (NEW DESIGN)		2	
46	0013	26992	LOCKWASHER (.250) Stainless Steel (NEW DESIGN)		2	

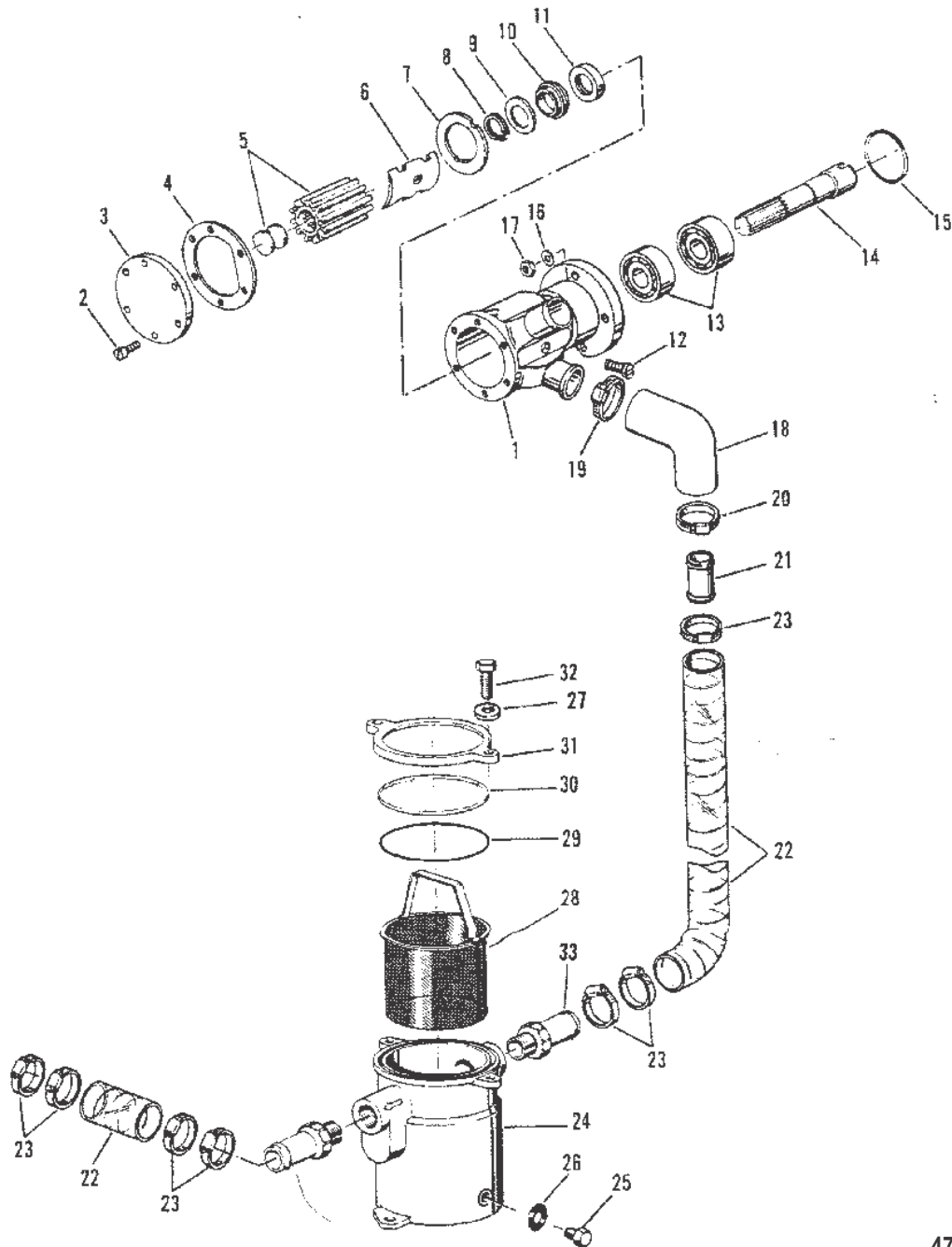
PART NOTES:

[1] - AS REQUIRED

SEAWATER PUMP (STERN DRIVE)

SEAWATER PUMP (INBOARD)

SEAWATER PUMP



47476

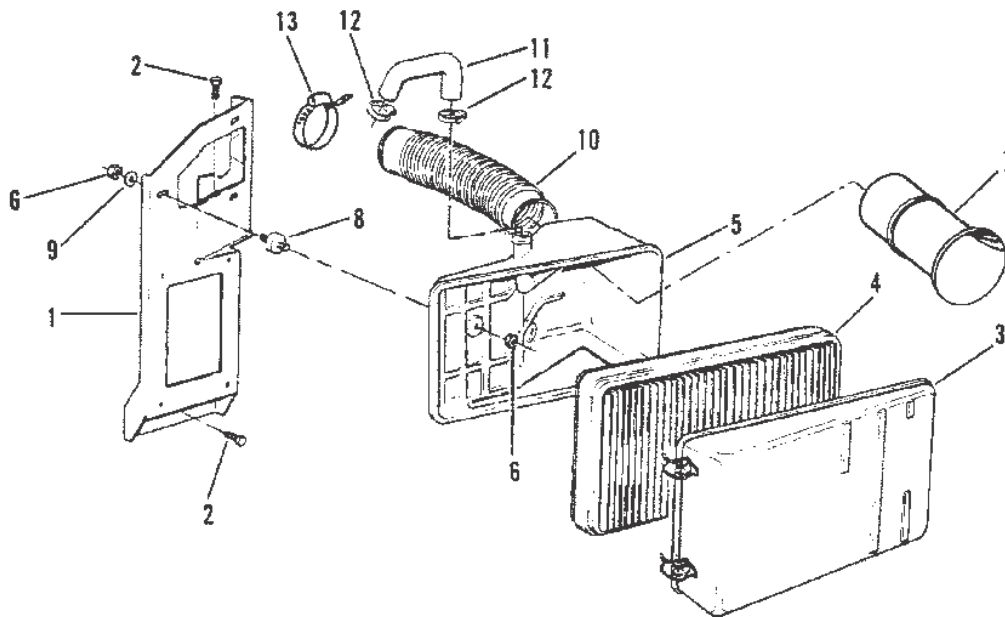
SEAWATER PUMP (INBOARD)

Ref #	Part Class	Part Number	Description	Comments	Qty	Note
1	0046	816248	PUMP ASSEMBLY		1	
2	0010	801332608	SCREW		6	
3	0000	801332607	COVER		1	
4	0027	801332606	GASKET		1	
5	0047	816814	IMPELLER		1	
6	0000	816813	CAM		1	
7	0012	801332601	WEAR PLATE		1	
8	0053	816815	RING		1	
9	0023	816816	SPACER		1	
10	0000	816817	SEAL		1	
11	0026	816818	SEAL		1	
12	0010	801332604	SCREW		1	
13	0030	816819	BEARING		2	
14	0000	816820	SHAFT		1	
15	0025	801333850	O-RING		1	
16	0013	809932095	LOCKWASHER		4	
17	0011	809922417	NUT		4	
18	0032	816174	HOSE		1	
19	0054	801328048	CLAMP		1	
20	0054	801326639	CLAMP		1	
21	0032	816173	HOSE Reducer		1	
22	0032	816172	HOSE		1	
23	0054	801326639	CLAMP		2	
24	0035	816171	FILTER		1	
25	0010	801763853	PLUG		1	
26	0012	809963201	WASHER		1	
27	0013	809930840	LOCKWASHER		2	
28	0000	801763855	ELEMENT		1	
29	0025	801763856	O-RING		1	
30	0000	801763857	WINDOW		1	
31	0000	801763858	COVER		1	
32	0010	801763859	SCREW		2	
33	0022	816339	NOZZLE		2	

SEAWATER PUMP (INBOARD)

AIR CLEANER (OLD DESIGN)

AIR CLEANER



OLD DESIGN

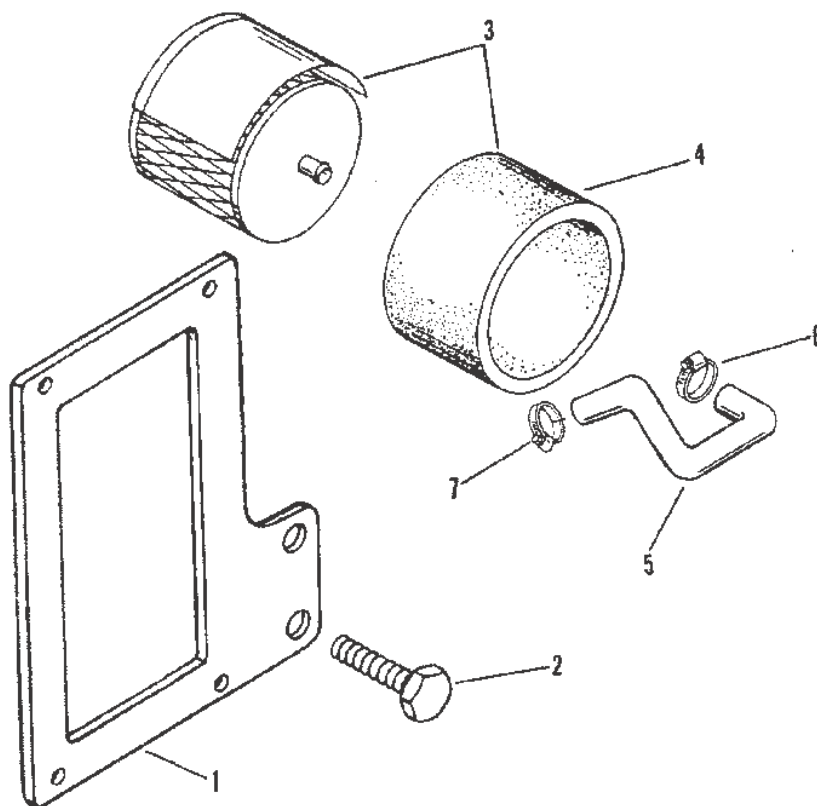
47477

AIR CLEANER (OLD DESIGN)

Ref #	Part Class	Part Number	Description	Comments	Qty	Note
1	0000	801763253	PLATE Retaining		1	
2	0010	809913815	SCREW		2	
3	0000	801763324	COVER		1	
4	0035	19487	FILTER Air		1	
5	0000	801765223	COVER		1	
6	0011	809922417	NUT		6	
7	0032	816600	TUBE Air		1	
8	0000	801761817	MOUNT		3	
9	0013	801761820	LOCKWASHER		3	
10	0000	18654A1	BELLOWS ASSEMBLY		1	
11	0032	801763508	HOSE		1	
12	0054	801761179	CLAMP		1	
13	0054	815504348	CLAMP Worm Gear		2	

AIR CLEANER (NEW DESIGN)

AIR CLEANER



47478

Cat.# 90-81841193

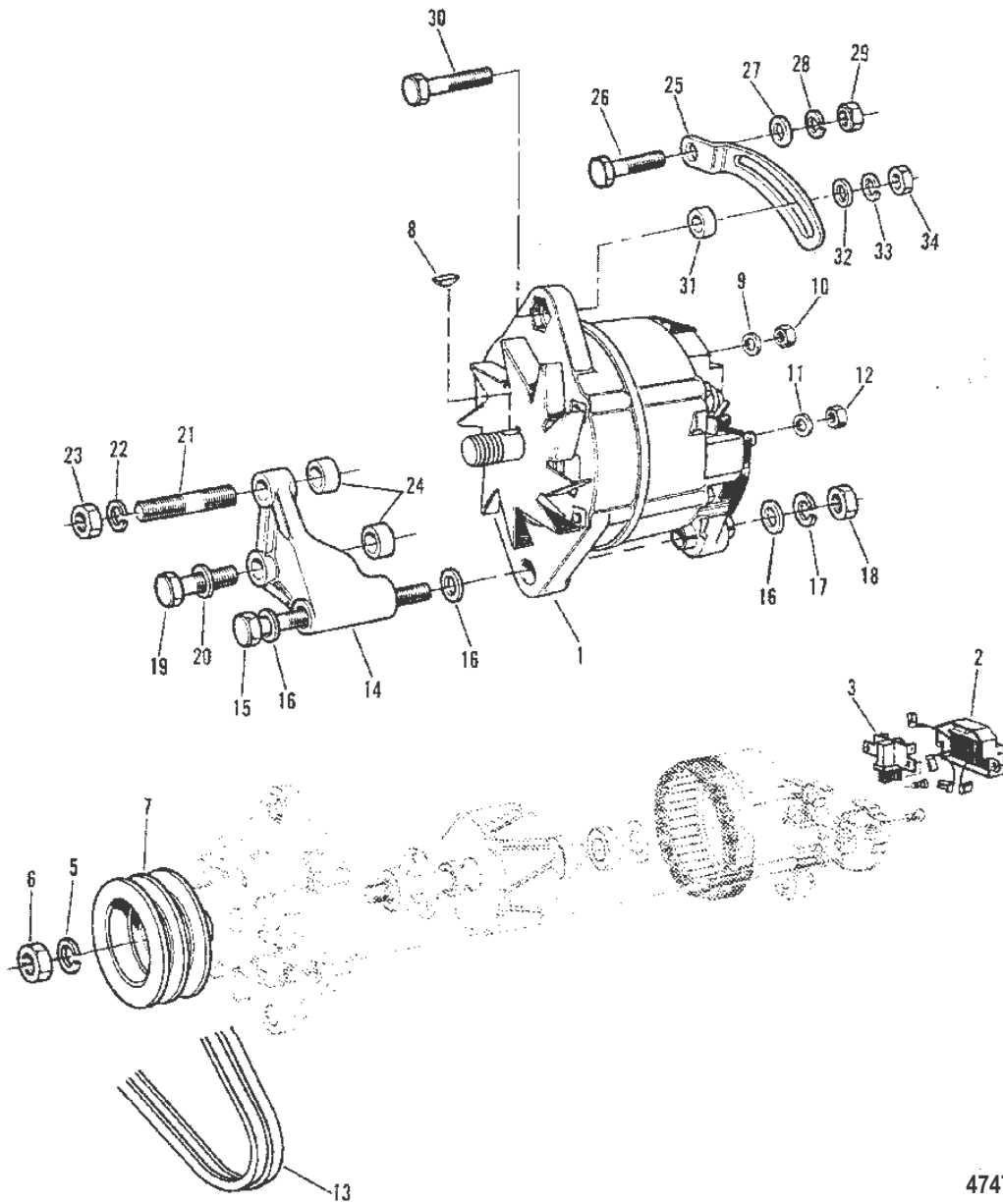
AIR CLEANER (NEW DESIGN)

Ref #	Part Class	Part Number	Description	Comments	Qty	Note
1	0000	805176T	BRACKET		1	
2	0010	809913815	SCREW		2	
3	0000	805115A2	CLEANER ASSEMBLY Air		1	
4	0035	805312	ELEMENT		1	
5	0032	805323	VENT TUBE		1	
6	0054	801326638	CLAMP (SMALL)		1	
7	0054	801761179	CLAMP (LARGE)		1	

AIR CLEANER (NEW DESIGN)

ALTERNATOR

ALTERNATOR



47479

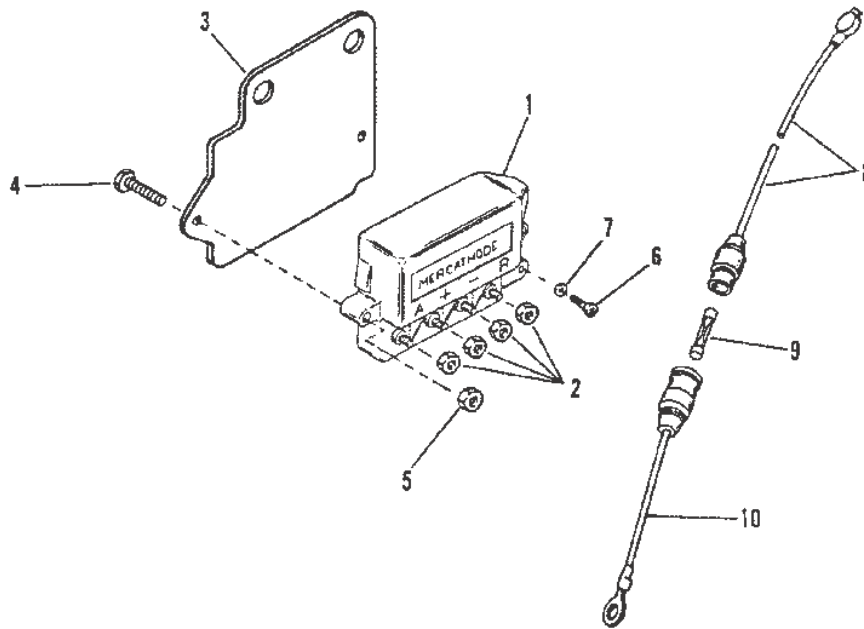
ALTERNATOR

Ref #	Part Class	Part Number	Description	Comments	Qty	Note
1	0000	816175	ALTERNATOR		1	
2	0000	811505	REGULATOR		1	
3	0000	811521	HOLDER Brush		1	
5	0013	809933149	LOCKWASHER		1	
6	0011	809921631	NUT		1	
7	0000	816539	PULLEY		1	
8	0028	809951453	KEY		1	
9	0012	809931036	WASHER		2	
10	0011	809922038	NUT		2	
11	0013	809931076	LOCKWASHER		2	
12	0011	809922800	NUT		2	
13	0057	816544	V BELT		2	
14	0000	816542	BRACKET		1	
15	0010	816454	SCREW		1	
16	0012	809931084	WASHER		3	
17	0013	400249	LOCKWASHER		1	
18	0011	809922133	NUT		1	
19	0010	811476	SCREW		1	
20	0012	811480	WASHER		1	
21	0016	811475	STUD		1	
22	0013	811482	LOCKWASHER		1	
23	0011	811478	NUT		1	
24	0000	816543	SPACER		2	
25	0000	816540	BRACE		1	
26	0010	811477	SCREW		1	
27	0012	811479	WASHER		1	
28	0013	811481	LOCKWASHER		1	
29	0011	801333455	NUT		1	
30	0010	40001197	SCREW (M10 x 35)		1	
31	0000	816541	SPACER		1	
32	0012	809931332	WASHER		1	
33	0013	400248	LOCKWASHER (M10)		1	
34	0011	400214	NUT (M10) Stainless Steel		1	

ALTERNATOR

MERCATHODE (STERN DRIVE)

MERCATHODE



**STERN
DRIVE**

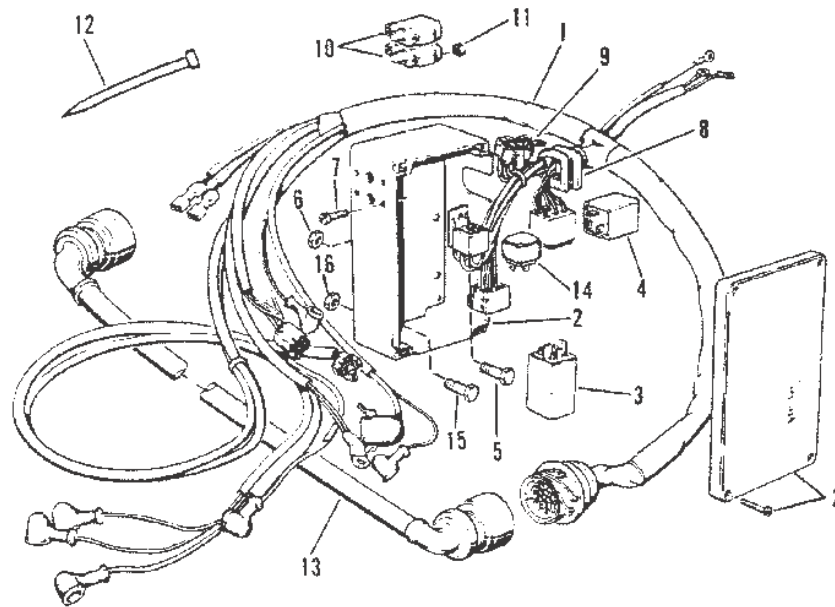
47480

MERCATHODE (STERN DRIVE)

Ref #	Part Class	Part Number	Description	Comments	Qty	Note
1	0000	42600A3	CONTROLLER ASSEMBLY		1	
2	0011	68219	NUT (#10-32) Stainless Steel		4	
3	0000	18893T	BRACKET		1	
4	0010	4000116	SCREW (M5 x 20)		2	
5	0011	400211	NUT (M5) Stainless Steel		2	
6	0010	62568	SCREW (#10-16 x .375)		1	
7	0012	30164	WASHER (.192 x .375 x .0312) Stainless Steel		2	
8	0084	95084A9	CABLE ASSEMBLY (91.00 Inches) Red/Purple Strip (LONG-RED)		1	
9	0088	79091	FUSE 20 Ampere (20 AMP)		1	
10	0084	95084A10	CABLE ASSEMBLY (5.00 Inches) Red (SHORT-RED)		1	

MOTOR HARNESS

MOTOR HARNESS



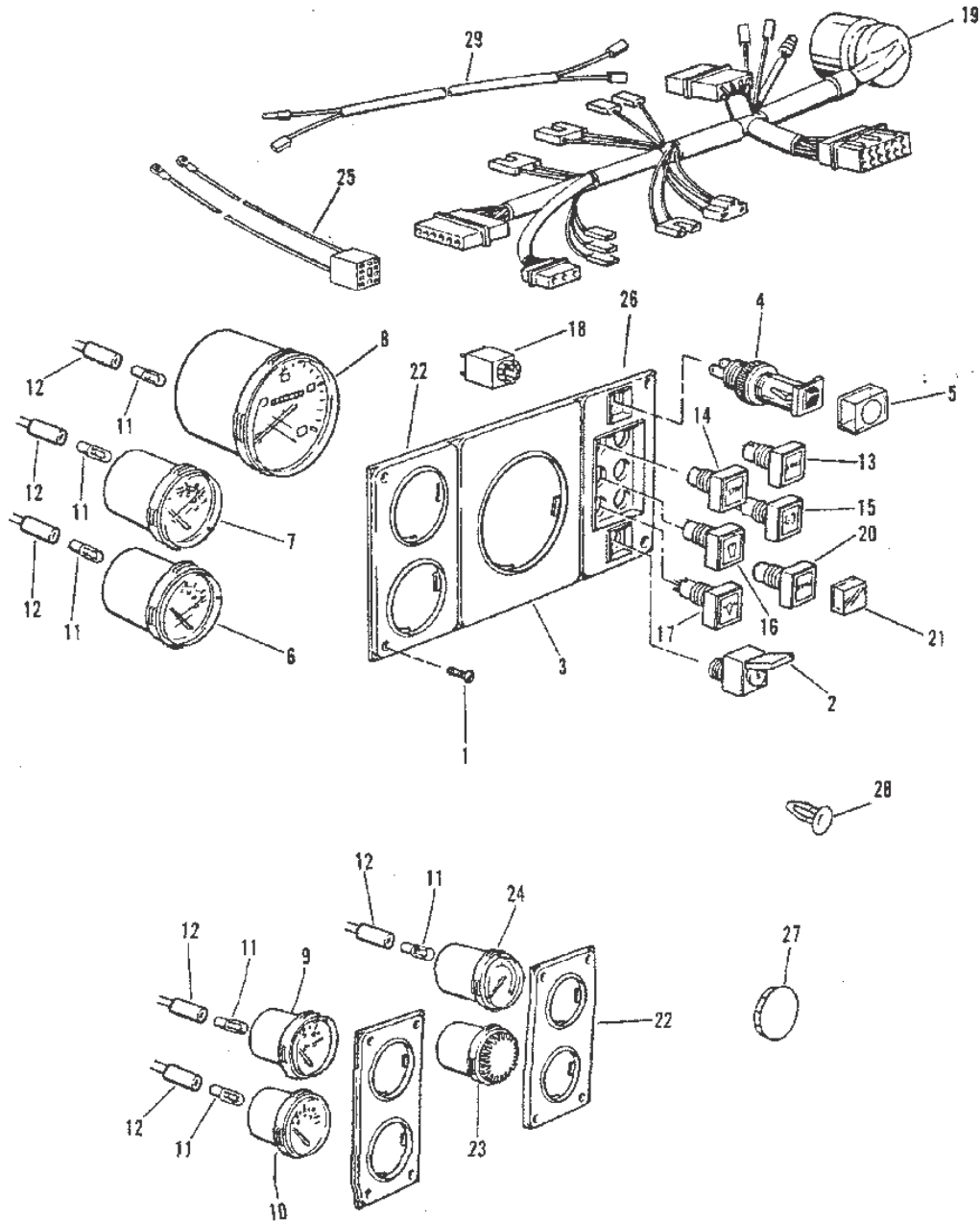
47481

MOTOR HARNESS

Ref #	Part Class	Part Number	Description	Comments	Qty	Note
1	0084	814017A1	HARNESS ASSEMBLY		1	
2	0000	801334495	BOX ASSEMBLY Electrical Components		1	
3	0000	801334306	RELAY Preheating		1	
4	0000	801334299	RELAY Power		1	
5	0010	809913442	SCREW		4	
6	0011	400212	NUT (M6) Stainless Steel		4	
7	0010	809907583	SCREW		4	
8	0000	801355577	GROMMET		1	
9	0000	801764007	DIODE		1	
10	0088	801329978	BREAKER Circuit		2	
11	0011	809922028	NUT		4	
12	0054	816311	TIE STRAP (8.00 Inches)		5	
13	0000	19597A6	HARNESS ASSEMBLY		1	
14	0087	821173	RELAY Starting		1	
15	0010	809907688	SCREW (M4 x 12)		3	
15	0010	4005688	SCREW (M4 x 20)		1	
16	0011	809922404	NUT		4	

INSTRUMENT PANEL

INSTRUMENT PANEL



47482

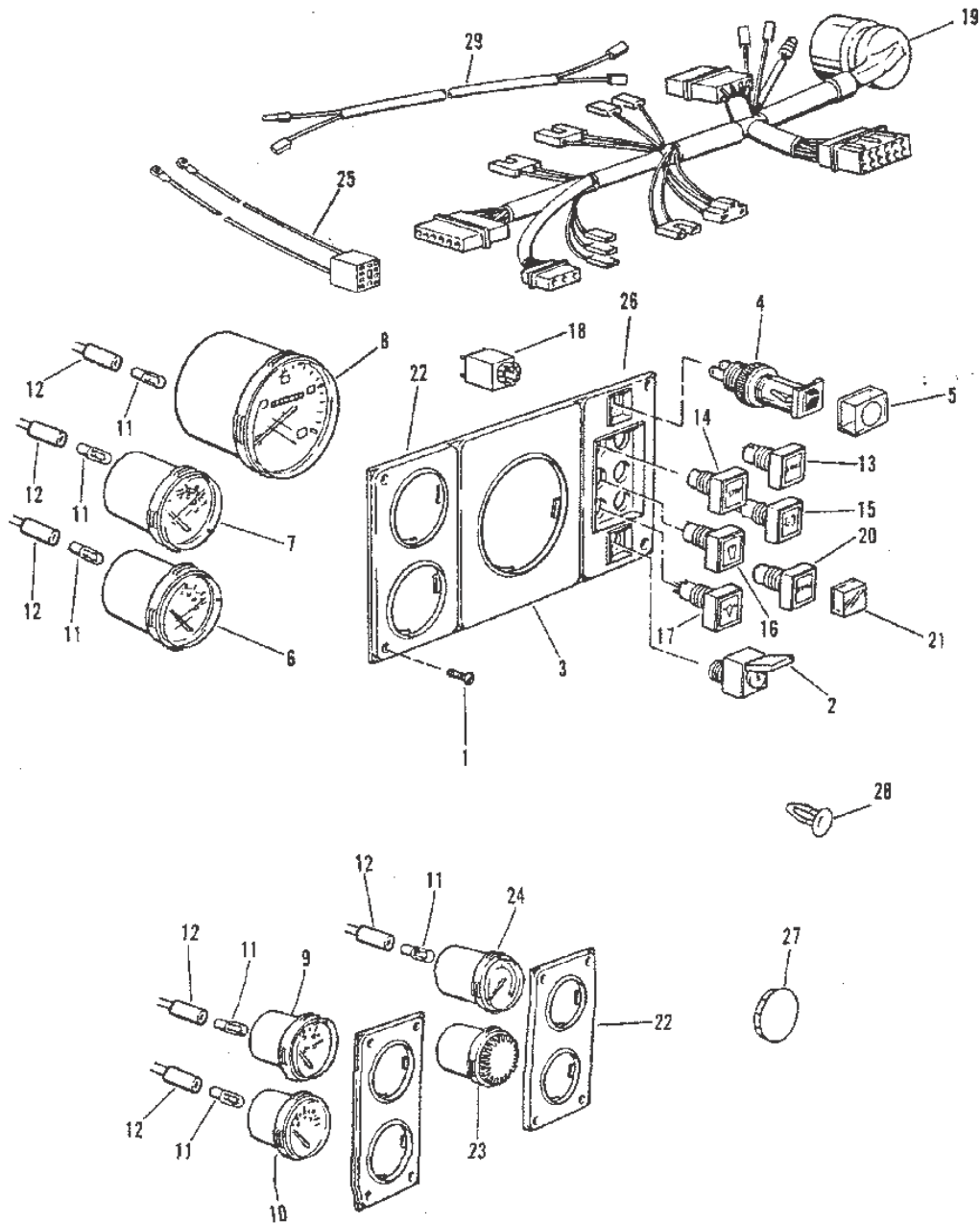
INSTRUMENT PANEL

Ref #	Part Class	Part Number	Description	Comments	Qty	Note
-	0000	801764122	INSTRUMENT PANEL ASSEMBLY	QUANTITIES: (STRN DRV) - 1; (INB) - 0	AR	
-	0000	801764123	INSTRUMENT PANEL ASSEMBLY	QUANTITIES: (STRN DRV) - ; (INB) - 1	AR	
1	0010	809902520	SCREW	QUANTITIES: (STRN DRV)-20; (INB) - 20	AR	
2	0087	801334117	IGNITION SWITCH (SEE CHART FOR KEY)	QUANTITIES: (STRN DRV) - 1; (INB) - 1	AR	
3	0000	801334100	INSTRUMENT PANEL	QUANTITIES: (STRN DRV) - 1; (INB) - 1	AR	
4	0087	816401	SWITCH	QUANTITIES: (STRN DRV) - 1; (INB) - 1	AR	
5	0000	801334308	COVER	QUANTITIES: (STRN DRV) - 1; (INB) - 1	AR	
6	0079	801334121	GAUGE Water Temperature	QUANTITIES: (STRN DRV) - 1; (INB) - 1	AR	
7	0079	801334120	VOLTMETER GAUGE	QUANTITIES: (STRN DRV) - 1; (INB) - 1	AR	
8	0079	817489	TACHOMETER GAUGE	QUANTITIES: (STRN DRV) - 1; (INB) - 1	AR	
9	0079	801334126	GAUGE Oil Temperature	QUANTITIES: (STRN DRV) - 1; (INB) - 1	AR	
10	0079	801334125	GAUGE Oil Pressure	QUANTITIES: (STRN DRV) - 1; (INB) -1	AR	
11	0000	809978254	LIGHT BULB	QUANTITIES: (STRN DRV) - 6; (INB) -5	AR	
11	0000	809978254	LIGHT BULB	QUANTITIES: (STRN DRV) - 6; (INB) - 6	AR	
12	0000	802982204	SOCKET	QUANTITIES: (STRN DRV) -6; (INB) - 6	AR	
12	0000	802982204	SOCKET	QUANTITIES: (STRN DRV) -6; (INB) - 6	AR	
13	0087	801334110	SWITCH ASSEMBLY Start	QUANTITIES: (STRN DRV) - 1; (INB) - 1	AR	
14	0087	801334114	SWITCH ASSEMBLY Stop	QUANTITIES: (STRN DRV) - 1; (INB)- 1	AR	
15	0000	816404	PREHEATER INDICATOR LAMP	QUANTITIES: (STRN DRV) - 1; (INB)- 1	AR	
16	0000	816402	CHARGING INDICATOR LAMP	QUANTITIES: (STRN DRV) - 1; (INB)- 1	AR	
17	0000	816403	LAMP Oil Pressure Warning	QUANTITIES: (STRN DRV) - 1; (INB)- 1	AR	
18	0000	801334113	TOUCH CONTACTOR	QUANTITIES: (STRN DRV) - 3; (INB)- 3	AR	
19	0084	801764124	HARNESS ASSEMBLY	QUANTITIES: (STRN DRV) - 1; (INB)- 1	AR	
20	0087	801764125	SWITCH Trailing	QUANTITIES: (STRN DRV) - 1; (INB) -	AR	
21	0087	801334110	SWITCH ASSEMBLY Start	QUANTITIES: (STRN DRV) - 3; (INB) -3	AR	
22	0000	801334124	INSTRUMENT PANEL	QUANTITIES: (STRN DRV) - 3; (INB) -3	AR	
23	0000	801334129	BUZZER	QUANTITIES: (STRN DRV) - 1; (INB)- 1	AR	

INSTRUMENT PANEL

INSTRUMENT PANEL

INSTRUMENT PANEL



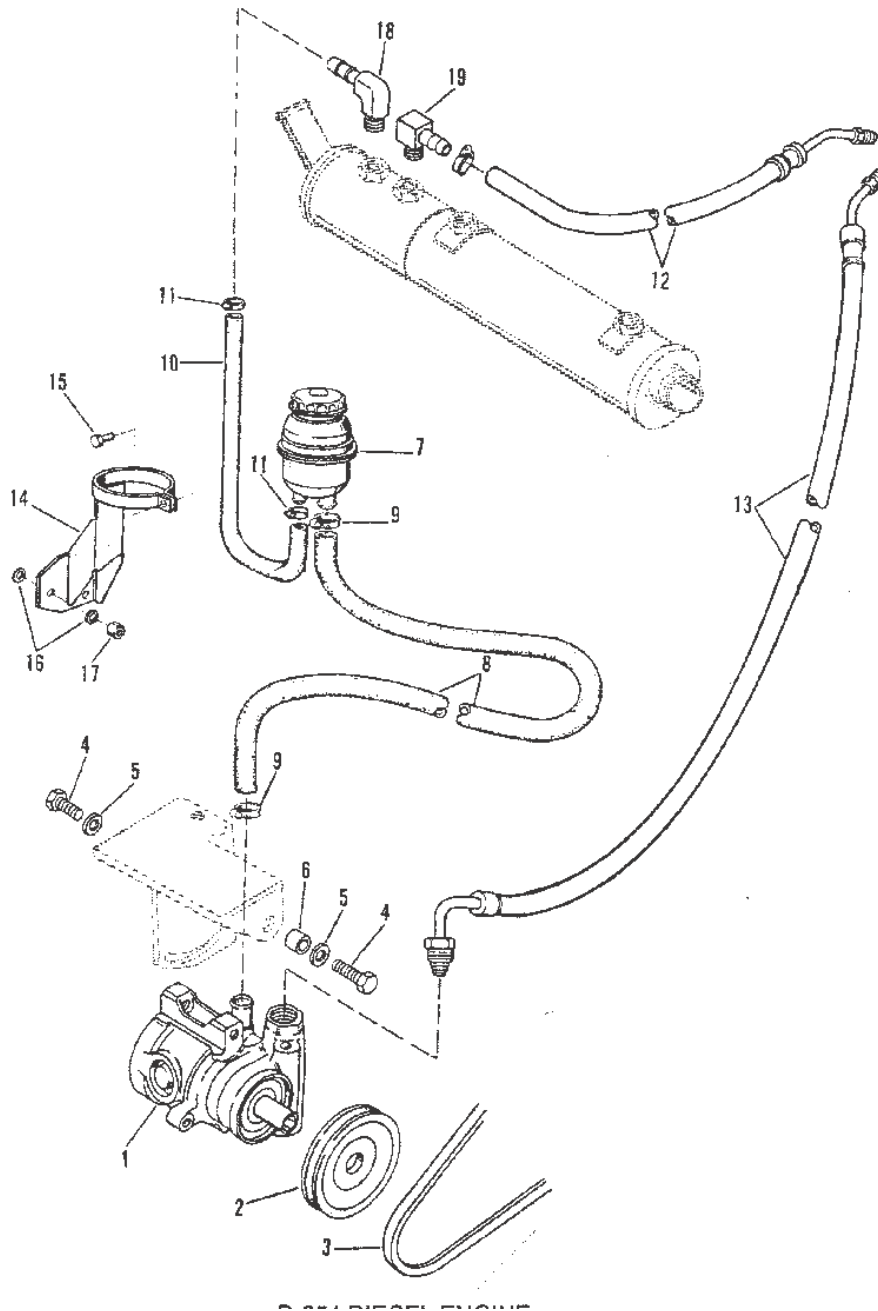
47482

INSTRUMENT PANEL

Ref #	Part Class	Part Number	Description	Comments	Qty	Note
24	0079	812391	TRIM INDICATOR GAUGE	QUANTITIES: (STRN DRV) - 1; (INB) -	AR	
25	0084	812694	HARNESS ASSEMBLY Override	QUANTITIES: (STRN DRV) - 1; (INB) -	AR	
26	0000	813905	INSTRUMENT PANEL	QUANTITIES: (STRN DRV) - 1; (INB)- 1	AR	
27	0000	801334216	COVER	QUANTITIES: (STRN DRV) - ; (INB) -1	AR	
28	0019	812390	PLUG	QUANTITIES: (STRN DRV) - ; (INB) -1	AR	
29	0032	801764018	HARNESS ASSEMBLY	QUANTITIES: (STRN DRV) - 1; (INB)- 1	AR	
-	0000	801334401	KEY 93401		,	
-	0000	801334402	KEY 93402		,	
-	0000	801334403	KEY 93403		,	
-	0000	801334404	KEY 93404		,	
-	0000	801334405	KEY 93405		,	
-	0000	801334406	KEY 93406		,	
-	0000	801334407	KEY 93407		,	
-	0000	801334408	KEY 93408		,	
-	0000	801334409	KEY 93409		,	
-	0000	801334410	KEY 93410		,	
-	0000	801334411	KEY 93411		,	
-	0000	801334412	KEY 93412		,	
-	0000	801334413	KEY 93413		,	
-	0000	801334414	KEY 93414		,	
-	0000	801334415	KEY 93415		,	
-	0000	801334416	KEY 93416		,	
-	0000	801334417	KEY 93417		,	
-	0000	801334418	KEY 93418		,	
-	0000	801334419	KEY 93419		,	
-	0000	801334420	KEY 93420		,	
-	0000	801334421	KEY 93421		,	
-	0000	801334422	KEY 93422		,	
-	0000	801334423	KEY 93423		,	
-	0000	801334424	KEY 93424		,	
-	0000	801334425	KEY 93425		,	

POWER STEERING COMPONENTS (STERN DRIVE)

POWER STEERING COMPONENTS



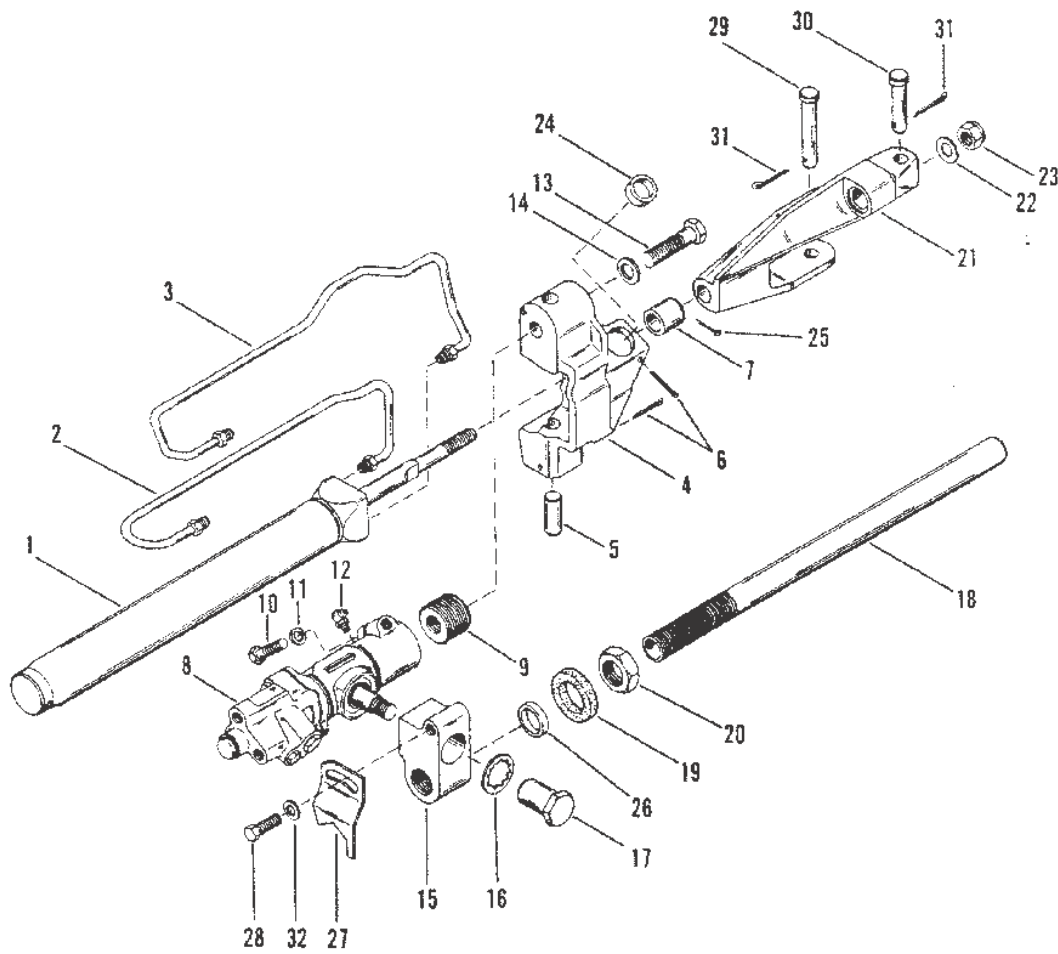
47483

POWER STEERING COMPONENTS (STERN DRIVE)

Ref #	Part Class	Part Number	Description	Comments	Qty	Note
1	0000	18825A2	PUMP ASSEMBLY		1	
2	0000	801763349	PULLEY		1	
3	0057	816177	V BELT		1	
4	0010	809913657	SCREW (M8 x 25)		3	
5	0013	400247	LOCKWASHER (M8)		3	
6	0023	12009	BUSHING (.31 x .45 x .50)		1	
7	0000	801124680	TANK Power Steering Oil Reservoir		1	
8	0032	816689260	HOSE		1	
9	0054	801761179	CLAMP		2	
10	0032	816688105	HOSE		1	
11	0054	801326638	CLAMP		2	
12	0032	9884339	HOSE ASSEMBLY (72.00 Inches Bulk)		1	
13	0032	1727121	HOSE		1	
14	0000	801763309	SUPPORT		1	
15	0010	809913466	SCREW (M6 x 16)		1	
16	0012	809931067	WASHER		2	
17	0011	400213	NUT (M8) Stainless Steel		2	
18	0022	37760	ELBOW		1	
19	0022	816909	CONNECTOR		1	

POWER STEERING CYLINDER (STERN DRIVE)

POWER STEERING CYLINDER



47484

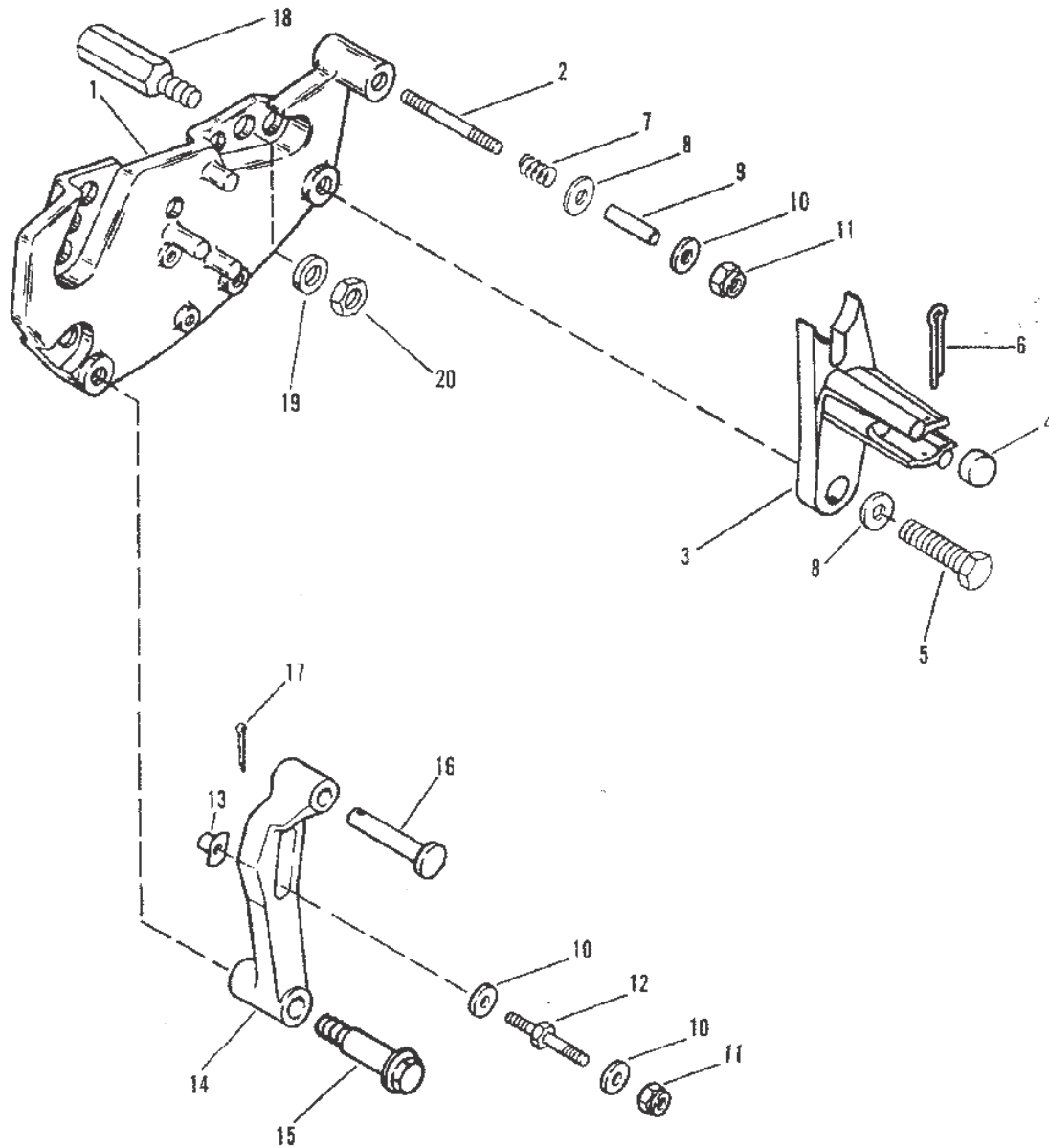
POWER STEERING CYLINDER (STERN DRIVE)

Ref #	Part Class	Part Number	Description	Comments	Qty	Note
-	0000	89645A15	CYLINDER ASSEMBLY Power Steering		1	
1	0000	57969A12	CYLINDER ASSEMBLY Booster (25-58224A1 REPAIR KIT)		1	
2	0032	92054	TUBE		1	
3	0032	92055	TUBE		1	
4	0000	94953A1	BRACKET ASSEMBLY		1	
5	0017	88283	PIN Retaining		2	
6	0018	36377	COTTER PIN		2	
7	0023	88282	SLEEVE		1	
8	0000	816458A1	VALVE ASSEMBLY (25-58226A1 REPAIR KIT)		1	
9	0000	88280	ADAPTER		1	
10	0010	68101	SCREW (.375-16 x 1.375)		1	
11	0013	35048	LOCKWASHER (.375)		1	
12	0022	67305	FITTING Grease		1	
13	0010	88281	SCREW (.500-20 x 1.750)		1	
14	0012	20959	WASHER		1	
15	0000	88285	ADAPTER		1	
16	0013	76629	LOCKWASHER Internal Tooth (.750)		1	
17	0011	55111	NUT		1	
18	0000	96511A1	TUBE ASSEMBLY Steering		1	
19	0000	88287	GUIDE		1	
20	0011	32882	NUT (.875-14)		1	
21	0000	95848A1	CLEVIS ASSEMBLY		1	
22	0012	20553	WASHER (.406 x .734 x .063)		1	
23	0011	53300	NUT (.375-24)		1	
24	0023	95803	BUSHING		2	
25	0018	34212	COTTER PIN		1	
26	0023	88286	BUSHING		1	
27	0000	92766	LOCK		1	
28	0010	41209	SCREW		1	
29	0017	89229	PIN Clevis		1	
30	0017	52798	PIN Clevis		1	
31	0018	46950	COTTER PIN		2	
32	0012	35462	WASHER (.2656 x .625 x .0625) Stainless Steel		1	

POWER STEERING CYLINDER (STERN DRIVE)

SHIFT BRACKET (STERN DRIVE)

SHIFT BRACKET



47485

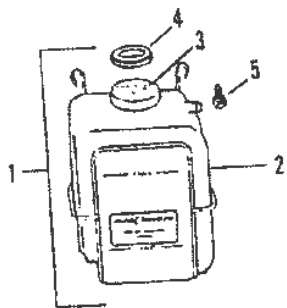
SHIFT BRACKET (STERN DRIVE)

Ref #	Part Class	Part Number	Description	Comments	Qty	Note
1	0000	99237A10	BRACKET ASSEMBLY		1	
2	0016	987981	STUD (.250-20/.250-28 x 2.120)		1	
3	0000	123811	RETAINER		1	
4	0023	98828	SPACER		1	
5	0010	53167	SCREW (.312-18 x .880)		1	
6	0018	32857	COTTER PIN		1	
7	0024	98880	SPRING		1	
8	0012	56720	WASHER (.330 x .750 x .060) Stainless Steel		2	
9	0023	98820	SPACER		1	
10	0012	35462	WASHER (.2656 x .625 x .0625) Stainless Steel		5	
11	0011	13438	NUT (.250-28)		2	
12	0016	96112	STUD (.250-28 x 2.00) Throttle Cable Anchor		1	
13	0011	63341	TEE NUT		1	
14	0000	138981	LEVER		1	
15	0010	13743	SCREW (.312-18 x 1.843) Shoulder		1	
16	0017	68402	PIN (.250 x 1.13)		1	
17	0018	21071	COTTER PIN		1	
18	0000	805324	STUD Extension		2	
19	0013	809932095	LOCKWASHER		2	
20	0011	400213	NUT (M8) Stainless Steel		2	

SHIFT BRACKET (STERN DRIVE)

COOLANT RECOVERY

COOLANT RECOVERY



47486

COOLANT RECOVERY

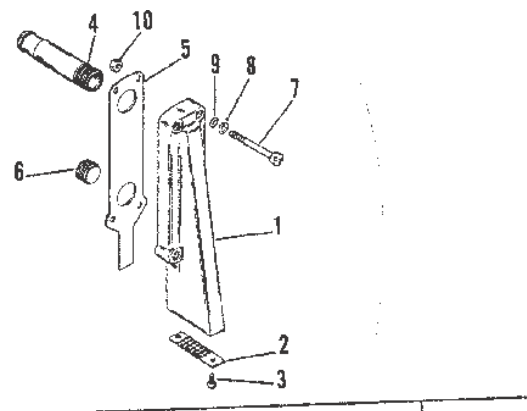
Ref #	Part Class	Part Number	Description	Comments	Qty	Note
1	0000	71587A10	RECOVERY KIT Coolant		1	
2	0000	71587A11	BOTTLE Plastic		1	
3	0000	72058	CAP		1	
4	0027	71614	GASKET		1	
5	0010	85181	BOLT		2	
6	0032	1983389	HOSE		1	

WATER PICK-UP KIT (OLD DESIGN) (STERN DRIVE)

WATER PICK- UP KIT

**OLD
DESIGN**

**STERN
DRIVE**



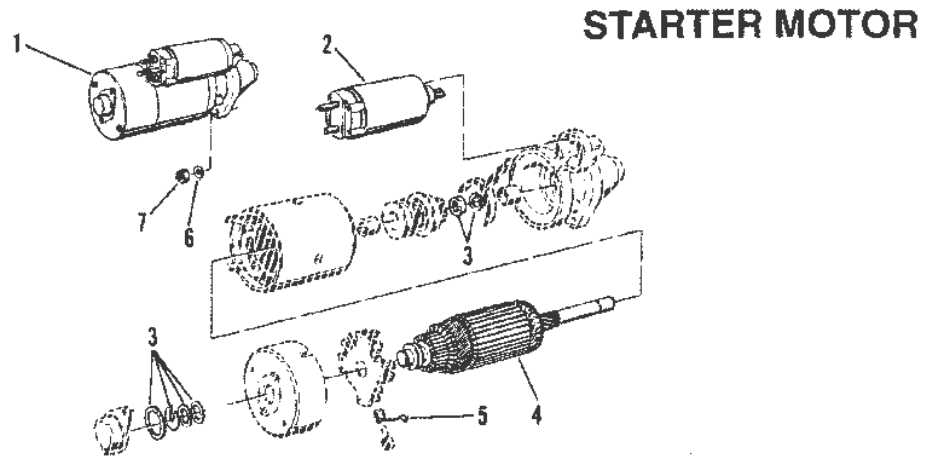
47487

WATER PICK-UP KIT (OLD DESIGN) (STERN DRIVE)

Ref #	Part Class	Part Number	Description	Comments	Qty	Note
1	0000	88845A1	PICK UP KIT Water		1	
2	0035	86844	SCREEN Inlet		1	
3	0010	86843	SCREW (#10-24 x .500)		2	
4	0000	86700T	TUBE Water Pick Up		1	
5	0027	88900	GASKET		1	
6	0022	88847	PLUG Pipe		1	
7	0010	89032	SCREW (.312-18 x 4.00)		4	
8	0012	56720	WASHER (.330 x .750 x .060) Stainless Steel		8	
9	0025	30641	O-RING (.299 x .103)		4	
10	0011	67980	NUT (.312-18)		4	

WATER PICK-UP KIT (OLD DESIGN) (STERN DRIVE)

STARTER MOTOR



47488

Cat.# 90-81841193

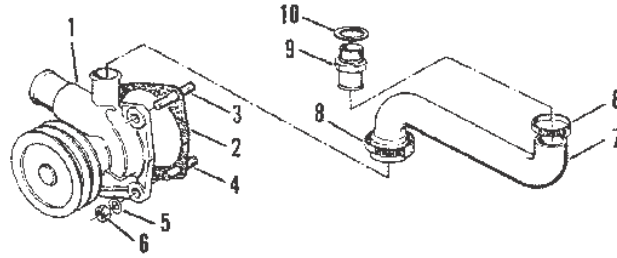
STARTER MOTOR

Ref #	Part Class	Part Number	Description	Comments	Qty	Note
1	0050	801333980	STARTER MOTOR ASSEMBLY		1	
2	0000	801334380	RELAY		1	
3	0000	801334379	PARTS SET ARMATURE		1	
4	0000	801334377	ARMATURE		1	
5	0000	801334378	BRUSH SET		1	
6	0013	809932132	LOCKWASHER		2	
7	0011	809922133	NUT		2	

STARTER MOTOR

WATER PUMP

WATER PUMP



47489

Cat.# 90-81841193

WATER PUMP

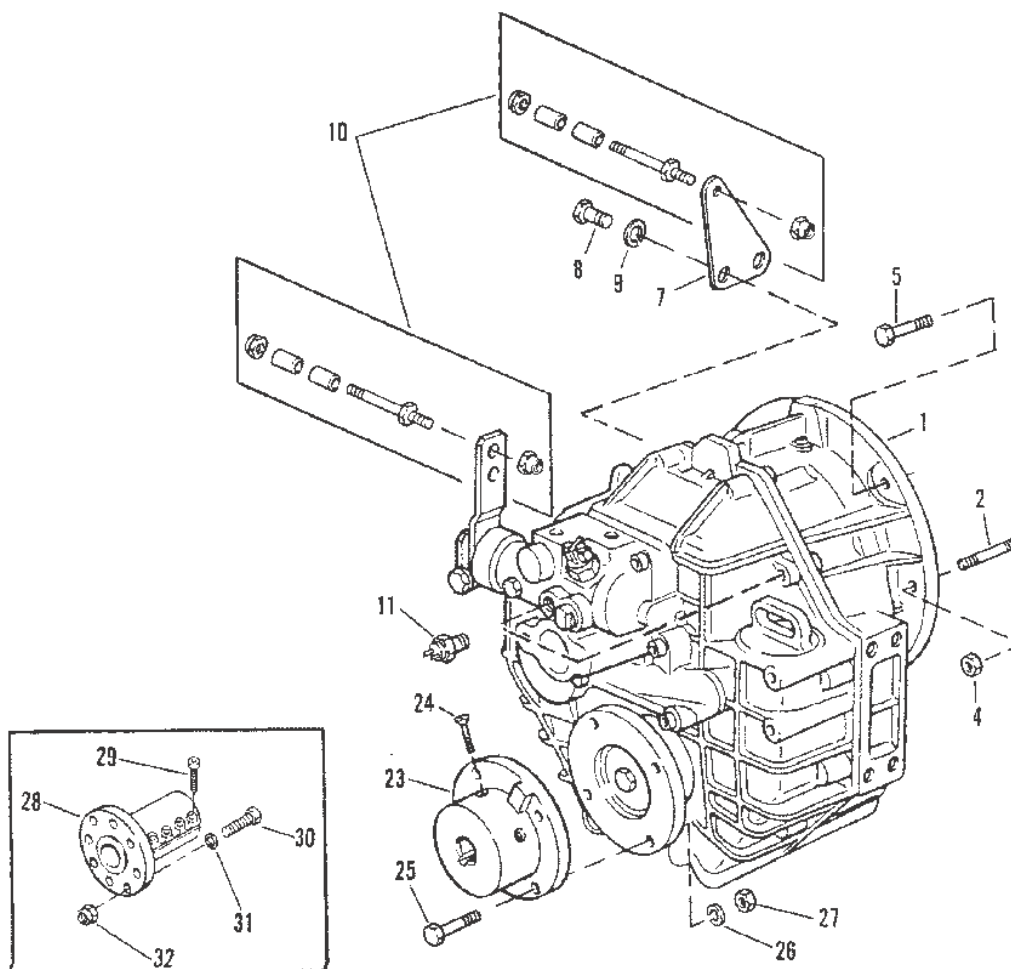
Ref #	Part Class	Part Number	Description	Comments	Qty	Note
1	0000	816829	PUMP Water		1	
2	0027	801333441	GASKET		1	[1]
3	0016	811472	STUD (M8 x 55)		2	
4	0016	811473	STUD		2	
5	0012	811474	WASHER		4	
6	0011	400203	NUT		4	
7	0032	815993	HOSE		1	
8	0054	801326639	CLAMP		2	
9	0022	817273	CONNECTOR		1	
10	0012	801763384	WASHER		1	
11	0027	811490	GASKET SET Engine Overhaul			

PART NOTES:

[1] - CONTENTS OF 811490 GASKET SET

TRANSMISSION AND RELATED PARTS (INBOARD)

TRANSMISSION AND RELATED PARTS



47490

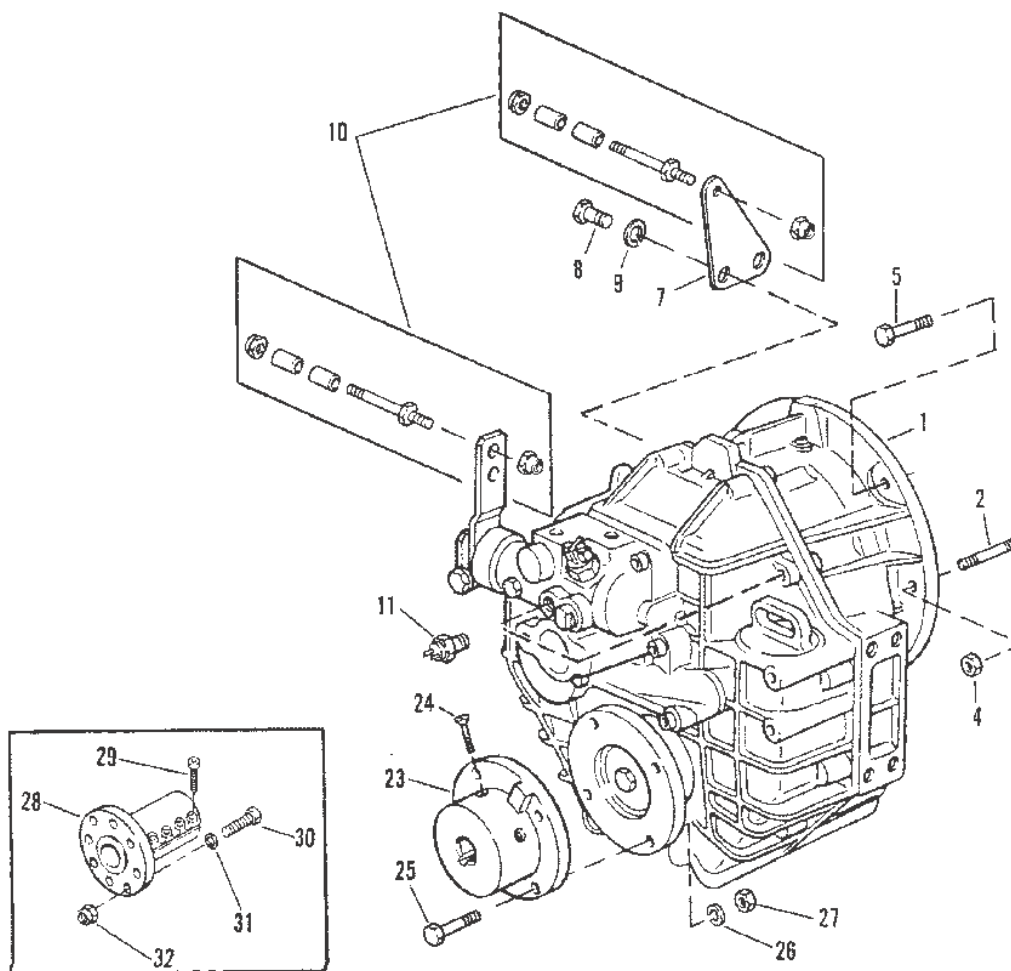
TRANSMISSION AND RELATED PARTS (INBOARD)

Ref #	Part Class	Part Number	Description	Comments	Qty	Note
1	0000	18900A1	TRANSMISSION (1.5:1 Ratio) (1.5:1 RATIO) (DIRECT DRIVE)		1	[1]
1	0000	18901A1	TRANSMISSION (2.0:1 Ratio) (2.0:1 RATIO) (DIRECT DRIVE)		1	[2]
1	0000	18902A1	TRANSMISSION (2.5:1 Ratio) (2.5:1 RATIO) (DIRECT DRIVE)		1	[3]
1	0000	814437A1	TRANSMISSION (1.5:1 Ratio) (1.5:1 RATIO) (V-DRIVE)		1	[4]
1	0000	814438A1	TRANSMISSION (2.0:1 Ratio) (2.0:1 RATIO) (V-DRIVE)		1	[5]
1	0000	814439A1	TRANSMISSION (2.5:1 Ratio) (2.5:1 RATIO) (V-DRIVE)		1	[6]
2	0016	910002	STUD		2	
4	0011	809922113	NUT		2	
5	0010	809913837	SCREW		4	
7	0000	816699	BRACKET		1	
8	0010	809919969	SCREW		2	
9	0013	809930840	LOCKWASHER		2	
10	0016	97477A3	STUD KIT		2	
11	0087	813708	SWITCH Tempature		1	
23	0000	79476A1	FLANGE ASSEMBLY (5.00 x 1.00) (1") (USE WITH ENGLISH SHAFT)		OPT.	[7]
23	0000	79476A2	FLANGE ASSEMBLY (5.00 x 1.125) (1-1/8") (USE WITH ENGLISH SHAFT)		OPT.	[7]
23	0000	79476A3	FLANGE ASSEMBLY (5.00 x 1.25) (1-1/4") (USE WITH ENGLISH SHAFT)		OPT.	[7]
23	0000	79476A4	FLANGE ASSEMBLY (5.00 x 1.375) (1-3/8") (USE WITH ENGLISH SHAFT)		OPT.	[7]
23	0000	79476A5	FLANGE ASSEMBLY (5.00 x 1.50) (1-1/2") (USE WITH ENGLISH SHAFT)		OPT.	[7]
23	0000	79476A6	FLANGE ASSEMBLY (5.00 x 1.75) (1-3/4") (USE WITH ENGLISH SHAFT)		OPT.	[7]
23	0000	79476A7	FLANGE ASSEMBLY (5.00 x 2.00) (2") (USE WITH ENGLISH SHAFT)		OPT.	[7]
24	0010	60171	SCREW (.375-16 x 1.250) (1-1/4") (USE WITH ENGLISH SHAFT)		2	
24	0010	60169	SCREW (.375-16 x .750) (3/4") (USE WITH ENGLISH SHAFT)		2	
25	0010	52498	SCREW (.437-20 x 1.500) (1-1/2") (USE WITH ENGLISH SHAFT)		4	
26	0013	32993	LOCKWASHER (.437) (USE WITH ENGLISH SHAFT)		4	
27	0011	22024	NUT (.437-14) (USE WITH ENGLISH SHAFT)		4	

TRANSMISSION AND RELATED PARTS (INBOARD)

TRANSMISSION AND RELATED PARTS (INBOARD)

TRANSMISSION AND RELATED PARTS



47490

TRANSMISSION AND RELATED PARTS (INBOARD)

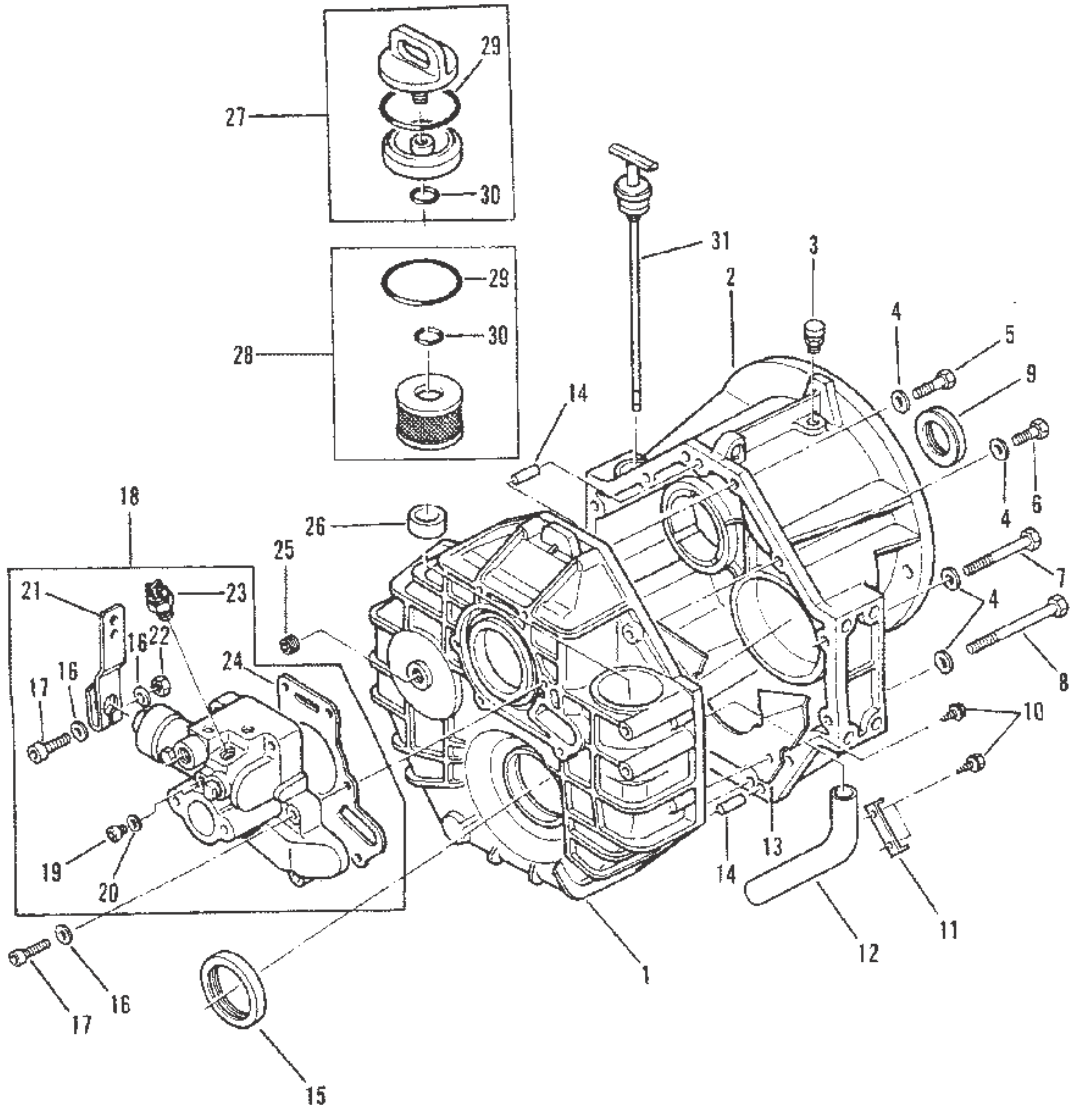
Ref #	Part Class	Part Number	Description	Comments	Qty	Note
28	0000	19559A1	FLANGE (30MM) (USE WITH METRIC SHAFT)		OPT.	[7]
28	0000	19560A1	FLANGE (35MM) (USE WITH METRIC SHAFT)		OPT.	[7]
28	0000	19561A1	FLANGE (40MM) (USE WITH METRIC SHAFT)		OPT.	[7]
28	0000	19562A1	FLANGE (45MM) (USE WITH METRIC SHAFT)		OPT.	[7]
29	0010	4007640	SCREW (USE WITH METRIC SHAFT)		8	
30	0010	40001260	SCREW (M12 x 45) (USE WITH METRIC SHAFT)		8	
31	0013	400249	LOCKWASHER (USE WITH METRIC SHAFT)		8	
32	0011	4002016	NUT (USE WITH METRIC SHAFT)		8	

PART NOTES:

- [1] - Alternate part numbers:
18900A 1QS
863744R02Reman
- [2] - Alternate part numbers:
18901A 1QS
863744R03Reman
- [3] - Alternate part numbers:
18902A 1QS
863744R04Reman
- [4] - Alternate part numbers:
814437A 1QS
863745R02Reman
- [5] - Alternate part numbers:
814438A 1QS
863745R03Reman
- [6] - Alternate part numbers:
814439A 1QS
863745R04Reman
- [7] - OPTIONAL

TRANSMISSION (DIRECT DRIVE) (INBOARD)

TRANSMISSION (DIRECT DRIVE)



47491

TRANSMISSION (DIRECT DRIVE) (INBOARD)

Ref #	Part Class	Part Number	Description	Comments	Qty	Note
-	0000	18900A1	TRANSMISSION (1.5:1 Ratio) (1.5:1 RATIO)		1	[1]
-	0000	18901A1	TRANSMISSION (2.0:1 Ratio) (2.0:1 RATIO)		1	[2]
-	0000	18902A1	TRANSMISSION (2.5:1 Ratio) (2.5:1 RATIO)		1	[3]
1	0000	813278	HOUSING		1	
2	0000	813279	COVER		1	
3	0000	813280	VENT CAP		1	
4	0013	813281	LOCKWASHER		12	
5	0010	813282	SCREW		5	
6	0010	813283	SCREW		1	
7	0010	813284	SCREW		4	
8	0010	813285	SCREW		2	
9	0026	813286	SEAL		1	
10	0010	813287	SCREW		4	
11	0000	813288	PLATE Retaining		1	
12	0032	813289	HOSE		1	
13	0000	813290	PLATE Baffle		1	
14	0017	813291	PIN Dowel		2	
15	0026	813292	SEAL		1	
16	0013	813293	LOCKWASHER		7	
17	0010	813294	SCREW		7	
18	0000	813295	CONTROL BLOCK		1	
19	0010	813296	SCREW		1	
20	0012	813297	WASHER		1	
21	0000	813298	LEVER Shift		1	
22	0011	813299	NUT		1	
23	0087	813300	SWITCH		1	
24	0027	813301	GASKET		1	
25	0022	813302	PLUG		1	
26	0012	813303	WASHER		1	
27	0035	813304	COVER KIT		1	
28	0035	815419	FLUID FILTER KIT		1	
29	0025	813407	O-RING		1	
30	0025	813406	O-RING		1	
31	0000	813305	DIPSTICK		1	

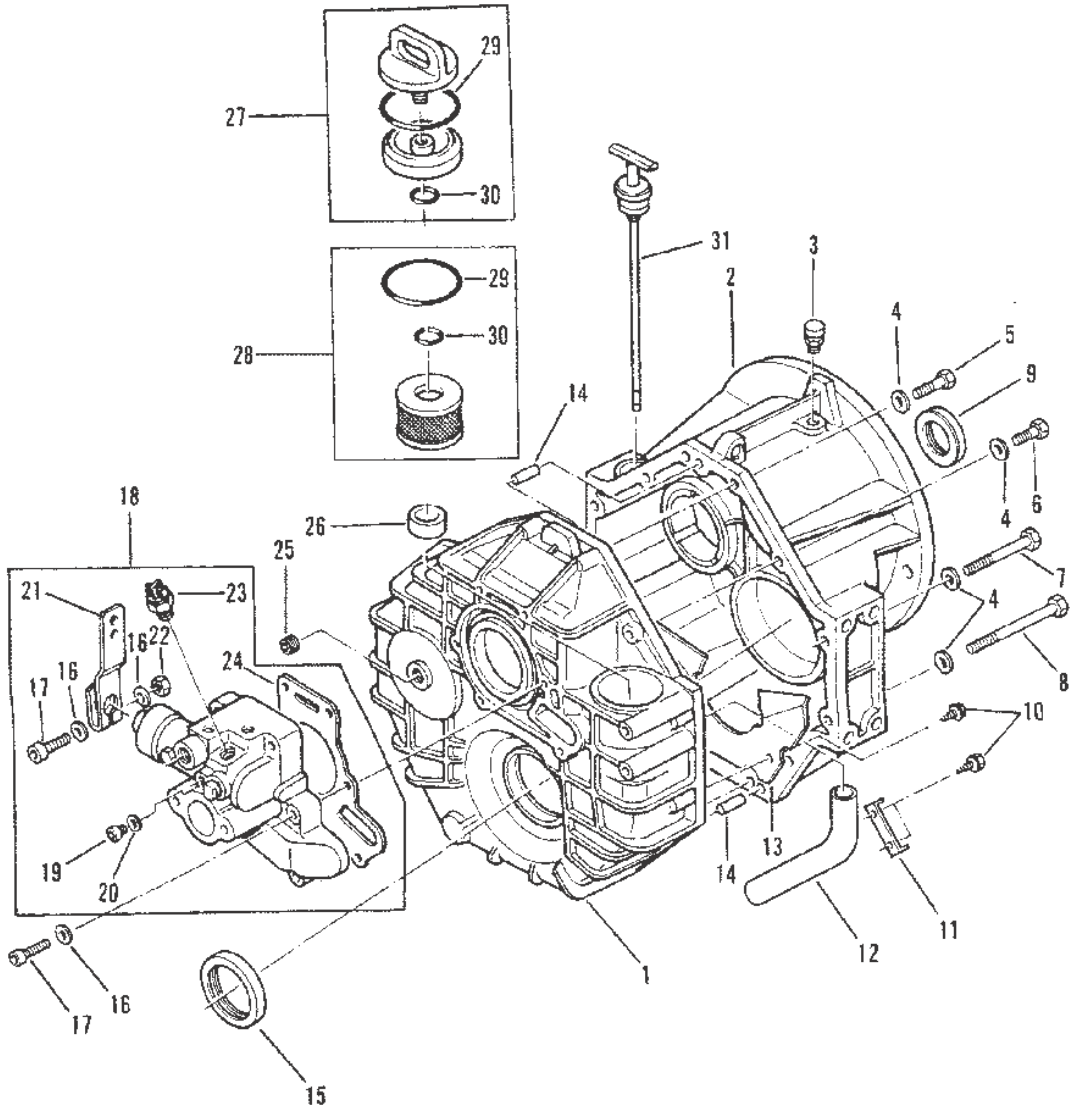
PART NOTES:

- [1] - Alternate part numbers:
18900A 1QS
863744R02Reman
- [2] - Alternate part numbers:
18901A 1QS
863744R03Reman

TRANSMISSION (DIRECT DRIVE) (INBOARD)

TRANSMISSION (DIRECT DRIVE) (INBOARD)

TRANSMISSION (DIRECT DRIVE)



47491

Cat.# 90-81841193

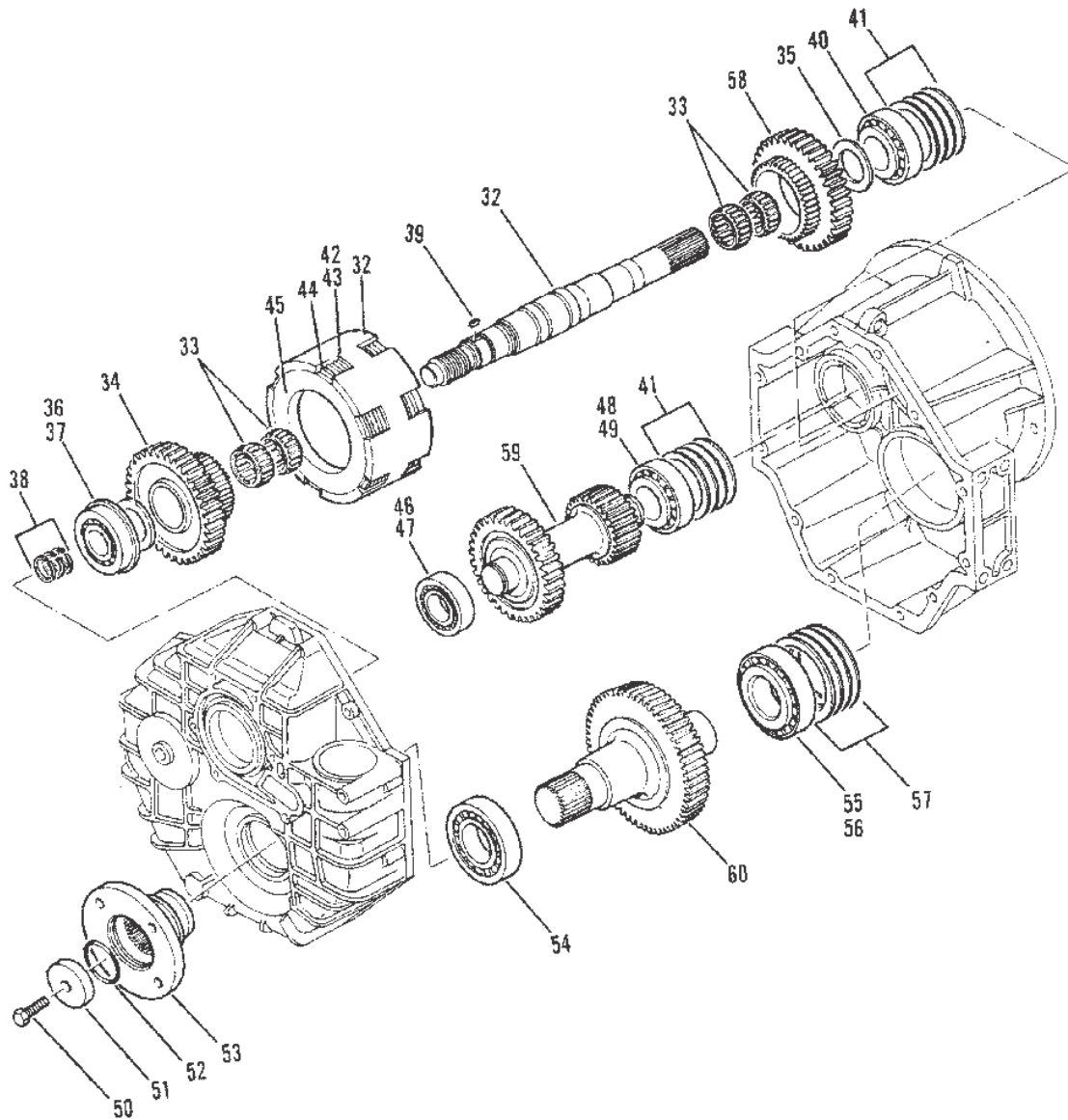
TRANSMISSION (DIRECT DRIVE) (INBOARD)

- [3] - Alternate part numbers:
18902A 1QS
863744R04Reman

TRANSMISSION (DIRECT DRIVE) (INBOARD)

TRANSMISSION (DIRECT DRIVE) (INBOARD)

TRANSMISSION (DIRECT DRIVE)



47492

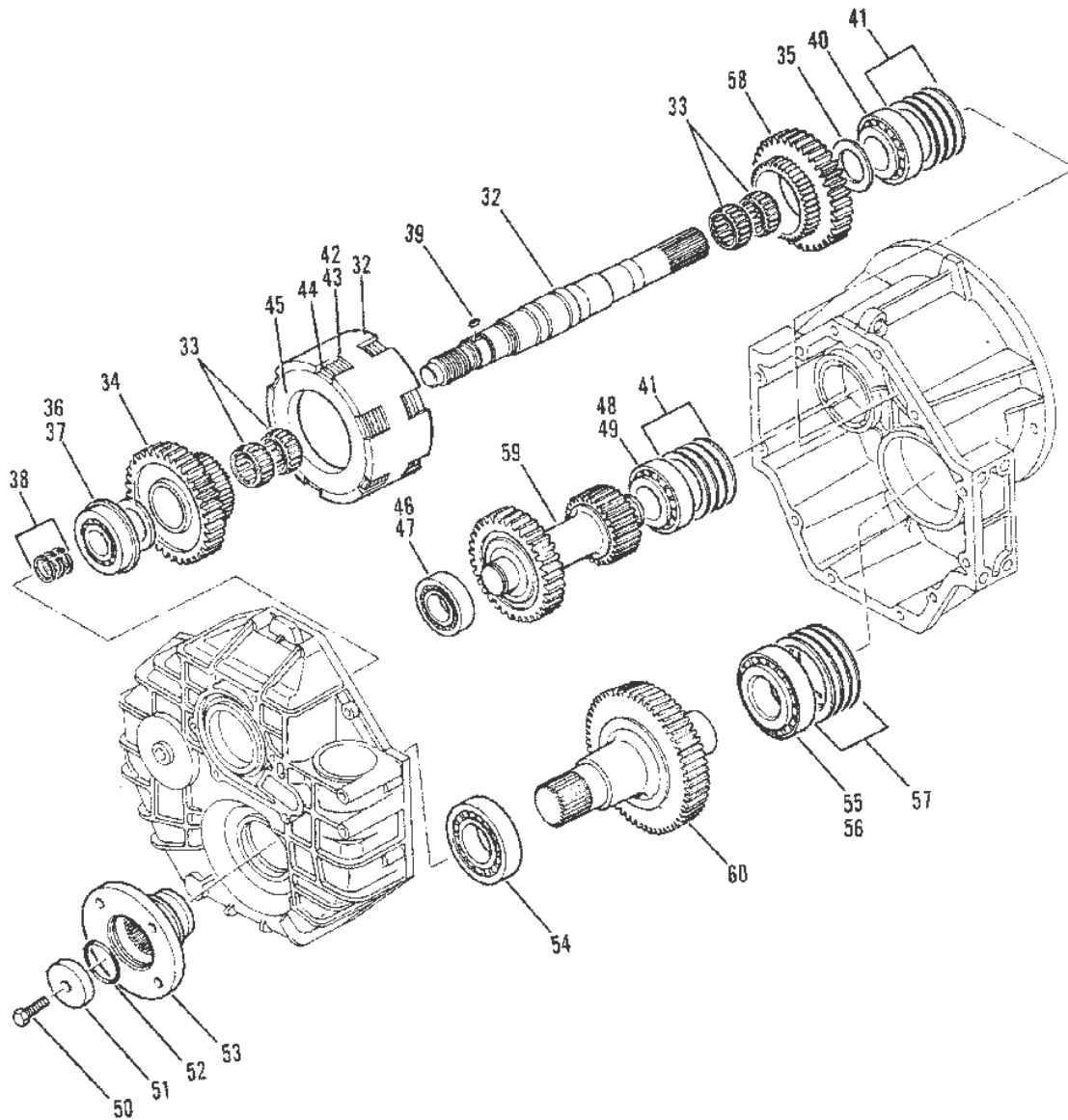
TRANSMISSION (DIRECT DRIVE) (INBOARD)

Ref #	Part Class	Part Number	Description	Comments	Qty	Note
-	0000	18900A1	TRANSMISSION (1.5:1 Ratio) (1.5:1 RATIO)		1	[1]
-	0000	18901A1	TRANSMISSION (2.0:1 Ratio) (2.0:1 RATIO)		1	[2]
-	0000	18902A1	TRANSMISSION (2.5:1 Ratio) (2.5:1 RATIO)		1	[3]
32	0000	813306	SHAFT Input		1	
33	0031	813307	BEARING Roller		4	
34	0043	813308	GEAR		1	
35	0012	813309	WASHER		2	
36	0031	813310	BEARING Tapered Roller (INNER)		1	
37	0031	813311	BEARING Tapered Roller (OUTER)		1	
38	0053	813312	RING		3	
39	0028	813313	KEY		1	
40	0030	813314	BEARING		1	
41	0015	813315	SHIM (.10 mm) (.10MM)		1	
41	0015	813316	SHIM (.15 mm) (.15MM)		1	
41	0015	813317	SHIM (.20 mm) (.20MM)		1	
41	0015	813318	SHIM (.50 mm) (.50MM)		1	
42	0000	813319	DISC		4	
43	0000	813320	DISC		5	
44	0053	813321	RING		2	
45	0000	813322	PRESSURE DISC		2	
46	0031	813323	BEARING Tapered Roller (INNER)		1	
47	0031	813324	BEARING Tapered Roller (OUTER)		1	
48	0031	813325	BEARING Tapered Roller (INNER)		1	
49	0031	813326	BEARING Tapered Roller (OUTER)		1	
50	0010	813327	SCREW		1	
51	0023	813328	SPACER		1	
52	0025	813329	O-RING		1	
53	0000	813330	FLANGE Output		1	
54	0031	813331	BEARING Tapered Roller		1	
55	0031	813332	BEARING Tapered Roller (INNER)		1	
56	0031	813333	BEARING Tapered Roller (OUTER)		1	
57	0015	813334	SHIM (.10 mm) (.10MM)		1	
57	0015	813335	SHIM (.15 mm) (.15MM)		1	
57	0015	813336	SHIM (.30 mm) (.30MM)		1	
57	0015	813337	SHIM (.50 mm) (.50MM)		1	
58	0043	813338	GEAR (1.5:1 RATIO)		1	
59	0000	813339	SHAFT Intermediate (1.5:1 RATIO)		1	
60	0000	813340	SHAFT Output (1.5:1 RATIO)		1	
58	0043	813341	GEAR (2.0:1 RATIO)		1	
59	0000	813342	SHAFT Intermediate (2.0:1 RATIO)		1	
60	0000	813343	SHAFT Output (2.0:1 RATIO)		1	

TRANSMISSION (DIRECT DRIVE) (INBOARD)

TRANSMISSION (DIRECT DRIVE) (INBOARD)

TRANSMISSION (DIRECT DRIVE)



47492

TRANSMISSION (DIRECT DRIVE) (INBOARD)

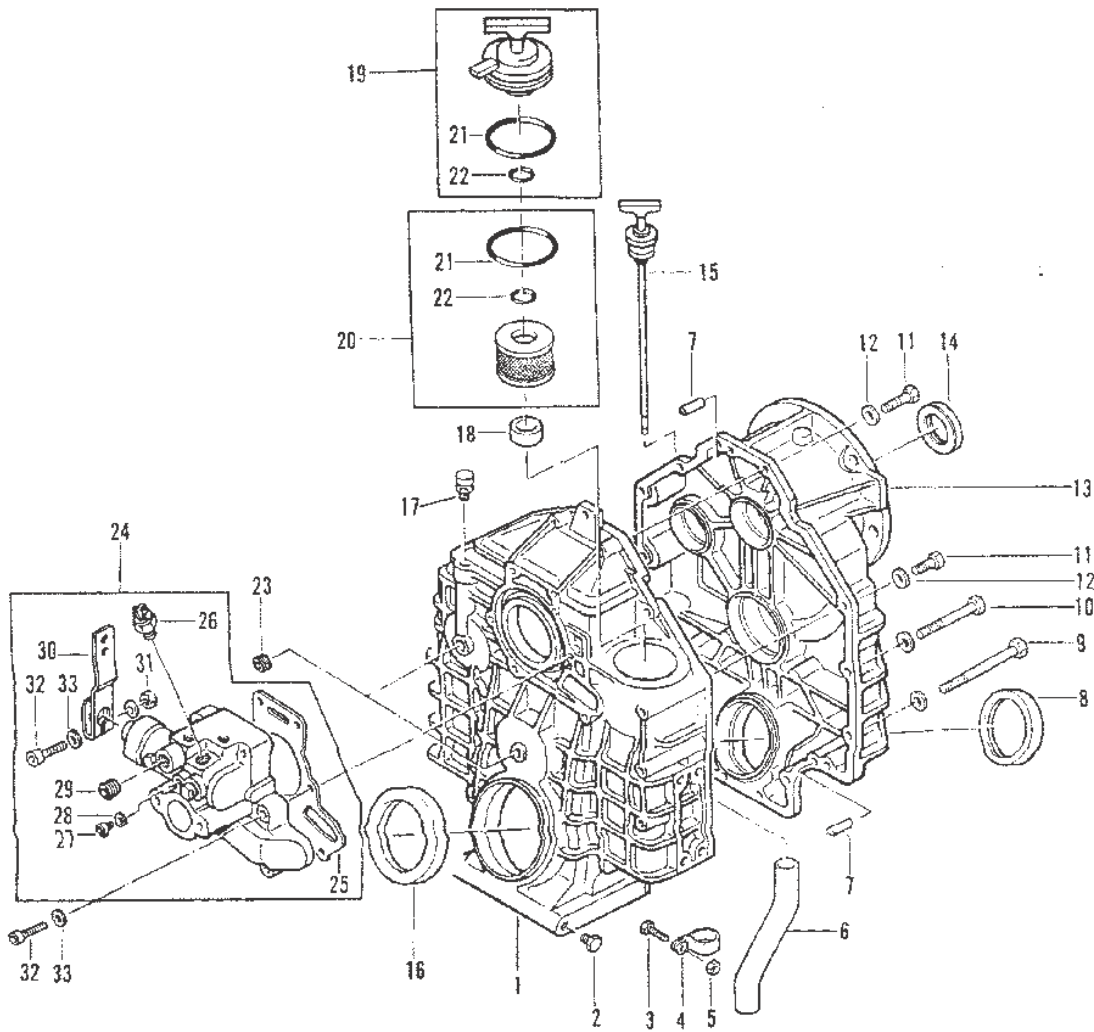
Ref #	Part Class	Part Number	Description	Comments	Qty	Note
58	0043	813344	GEAR (2.5:1 RATIO)		1	
59	0000	813345	SHAFT Intermediate (2.5:1 RATIO)		1	
60	0000	813346	SHAFT Output (2.5:1 RATIO)		1	

PART NOTES:

- [1] - Alternate part numbers:
18900A 1QS
863744R02Reman
- [2] - Alternate part numbers:
18901A 1QS
863744R03Reman
- [3] - Alternate part numbers:
18902A 1QS
863744R04Reman

TRANSMISSION (V-DRIVE) (INBOARD)

TRANSMISSION (V-DRIVE)



47493

TRANSMISSION (V-DRIVE) (INBOARD)

Ref #	Part Class	Part Number	Description	Comments	Qty	Note
-	0000	814437A1	TRANSMISSION (1.5:1 Ratio) (1.5:1 RATIO)		1	[1]
-	0000	814438A1	TRANSMISSION (2.0:1 Ratio) (2.0:1 RATIO)		1	[2]
-	0000	814439A1	TRANSMISSION (2.5:1 Ratio) (2.5:1 RATIO)		1	[3]
1	0000	811961	HOUSING Control Side		1	
2	0019	811966	PLUG		1	
3	0010	811953	SCREW		1	
4	0054	811965	CLAMP		1	
5	0011	811954	NUT		1	
6	0032	811962	HOSE Suction		1	
7	0017	813291	PIN Dowel		2	
8	0026	811957	SEAL		1	
9	0010	813285	SCREW		2	
10	0010	813284	SCREW		2	
11	0010	813282	SCREW		12	
12	0013	813281	LOCKWASHER		16	
13	0000	811960	HOUSING Input Side		1	
14	0026	813286	SEAL		1	
15	0000	811964	DIPSTICK		1	
16	0026	811956	SEAL		1	
17	0000	813280	VENT CAP		1	
18	0012	813303	WASHER		1	
19	0036	811963	COVER KIT (INCLUDES REF.#21 & 22)		1	
20	0035	815419	FLUID FILTER KIT		1	
21	0025	813407	O-RING		1	
22	0025	813406	O-RING		1	
23	0022	813302	PLUG		2	
24	0000	813295	CONTROL BLOCK		1	
25	0027	813301	GASKET		1	
26	0087	813300	SWITCH		1	
27	0010	813296	SCREW		1	
28	0012	811958	WASHER		1	
29	0022	811959	PLUG		1	
30	0000	813298	LEVER Shift		1	
31	0011	813299	NUT		1	
32	0010	813294	SCREW		7	
33	0013	813293	LOCKWASHER		7	

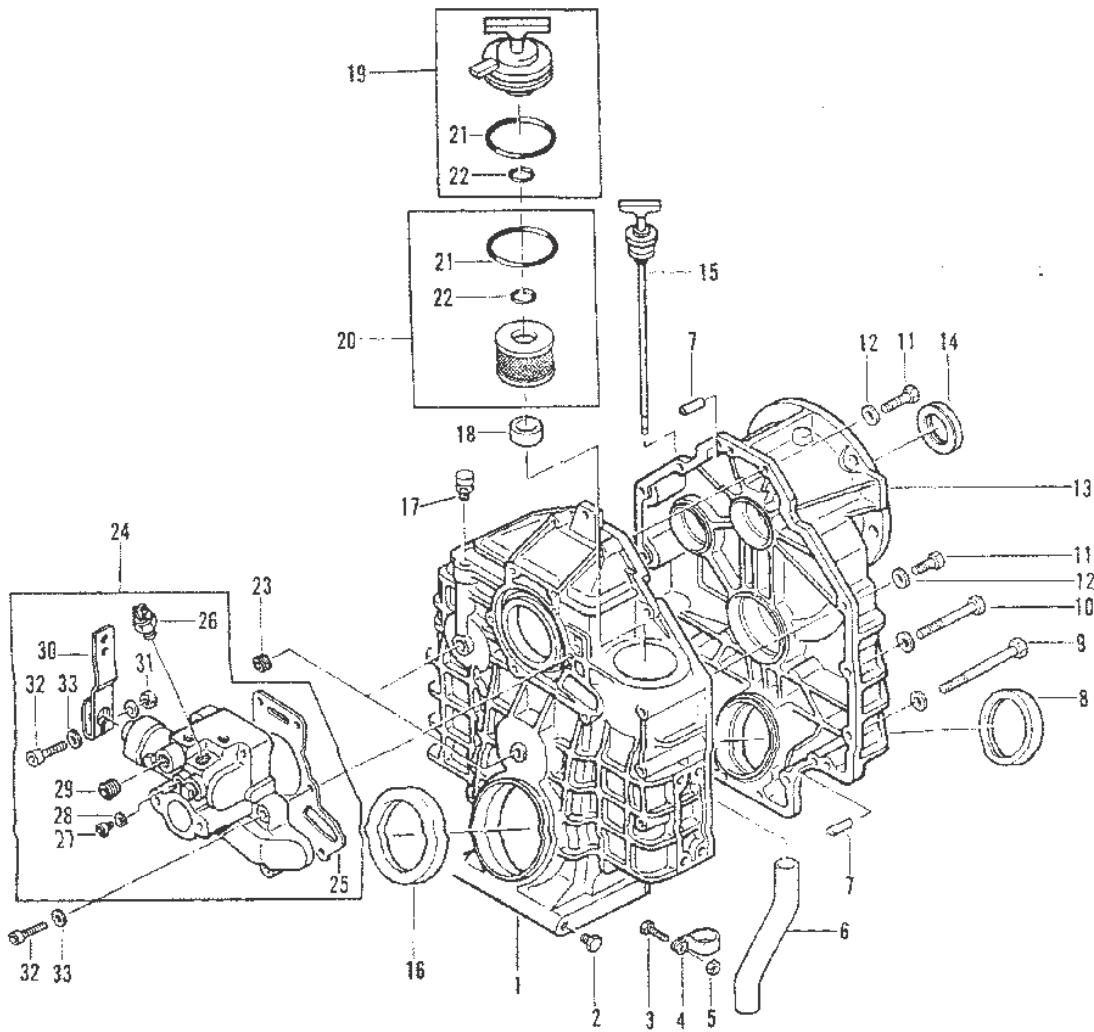
PART NOTES:

- [1] - Alternate part numbers:
814437A 1QS
863745R02Reman

TRANSMISSION (V-DRIVE) (INBOARD)

TRANSMISSION (V-DRIVE) (INBOARD)

TRANSMISSION (V-DRIVE)



47493

TRANSMISSION (V-DRIVE) (INBOARD)

[2] - Alternate part numbers:

814438A 1QS

863745R03Reman

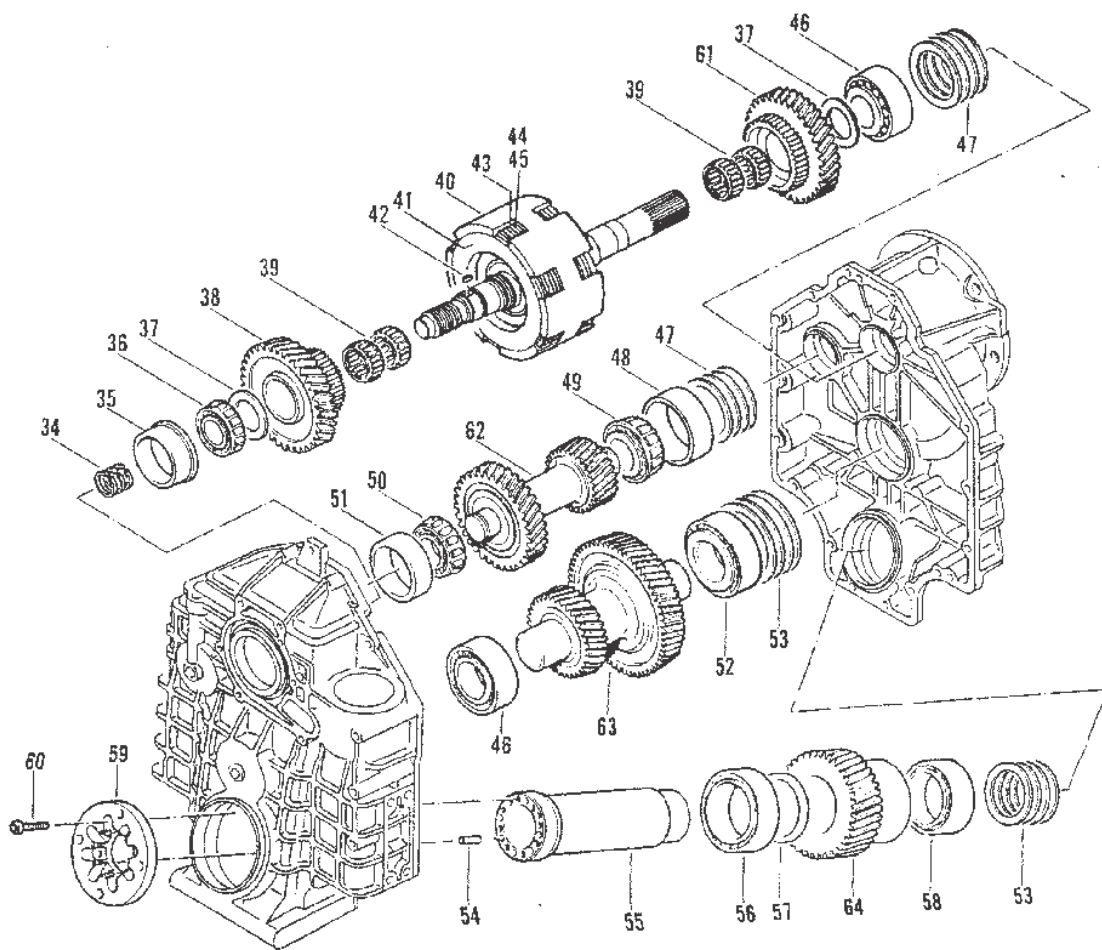
[3] - Alternate part numbers:

814439A 1QS

863745R04Reman

TRANSMISSION (V-DRIVE) (INBOARD)

TRANSMISSION (V- DRIVE)



47494

TRANSMISSION (V-DRIVE) (INBOARD)

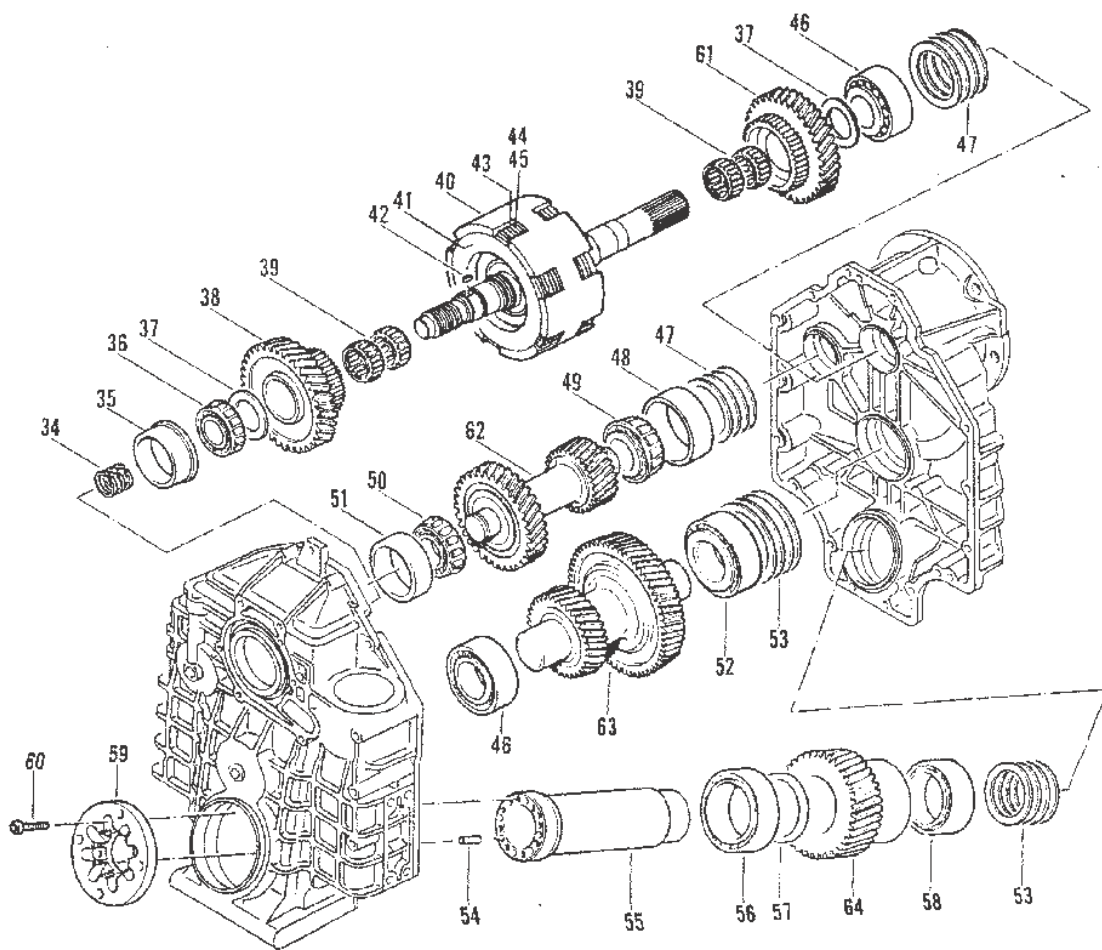
TRANSMISSION (V-DRIVE) (INBOARD)

Ref #	Part Class	Part Number	Description	Comments	Qty	Note
-	0000	814437A1	TRANSMISSION (1.5:1 Ratio) (1.5:1 RATIO)		1	[1]
-	0000	814438A1	TRANSMISSION (2.0:1 Ratio) (2.0:1 RATIO)		1	[2]
-	0000	814439A1	TRANSMISSION (2.5:1 Ratio) (2.5:1 RATIO)		1	[3]
34	0053	813312	RING		3	
35	0031	811970	BEARING Tapered Roller Cup		1	
36	0031	811969	BEARING Tapered Roller Cone		1	
37	0012	811967	WASHER		2	
38	0043	813308	GEAR		1	
39	0031	813307	BEARING Roller		4	
40	0000	813306	SHAFT Input		1	
41	0000	813322	PRESSURE DISC		2	
42	0028	813313	KEY		1	
43	0053	813321	RING		2	
44	0000	813319	DISC		8	
45	0000	813320	DISC		10	
46	0030	811968	BEARING Ball		2	
47	0015	813315	SHIM (.10 mm) (.10MM)		1	
47	0015	813316	SHIM (.15 mm) (.15MM)		1	
47	0015	813317	SHIM (.20 mm) (.20MM)		1	
47	0015	813318	SHIM (.50 mm) (.50MM)		1	
48	0031	811979	BEARING Tapered Roller Cup		1	
49	0031	811978	BEARING Tapered Roller Cone		1	
50	0031	811971	BEARING Tapered Roller Cone		1	
51	0031	811977	BEARING Tapered Roller Cup		1	
52	0031	811972	BEARING Tapered Roller		1	
53	0015	811973	SHIM (.10MM)		2	
53	0015	811974	SHIM (.15MM)		2	
53	0015	811975	SHIM (.30MM)		2	
53	0015	811976	SHIM (.50MM)		2	
54	0017	811984	PIN Dowel		4	
55	0000	811980	SHAFT Output		1	
56	0031	811985	BEARING Tapered Roller		1	
57	0012	811981	WASHER		1	
58	0031	811986	BEARING Tapered Roller		1	
59	0000	811982	FLANGE		1	
60	0010	811983	SCREW		8	
61	0043	811987	GEAR (1.5:1 RATIO)		1	
62	0000	811951	SHAFT Reversing (1.5:1 RATIO)		1	
63	0000	811952	SHAFT Intermediate (1.5:1 RATIO)		1	
64	0043	811950	GEAR (1.5:1 RATIO)		1	
61	0043	811949	GEAR (2.0:1 RATIO)		1	
62	0000	811947	SHAFT Reversing (2.0:1 RATIO)		1	
63	0000	811948	SHAFT Intermediate (2.0:1 RATIO)		1	
64	0043	811950	GEAR (2.0:1 RATIO)		1	

TRANSMISSION (V-DRIVE) (INBOARD)

TRANSMISSION (V-DRIVE) (INBOARD)

TRANSMISSION (V- DRIVE)



47494

TRANSMISSION (V-DRIVE) (INBOARD)

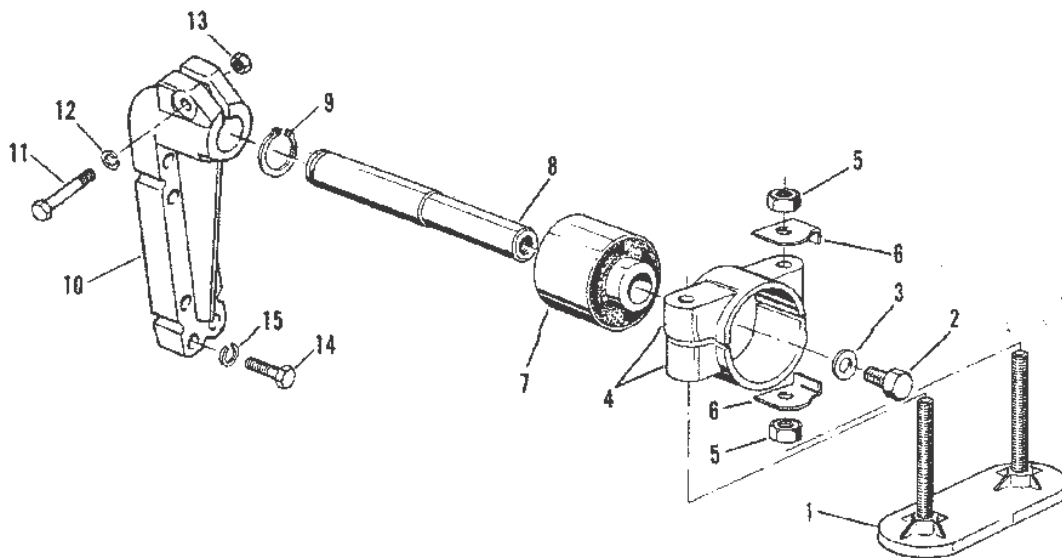
Ref #	Part Class	Part Number	Description	Comments	Qty	Note
61	0043	811949	GEAR (2.5:1 RATIO)		1	
62	0000	811947	SHAFT Reversing (2.5:1 RATIO)		1	
63	0000	811946	SHAFT Intermediate (2.5:1 RATIO)		1	
64	0043	811945	GEAR (2.5:1 RATIO)		1	

PART NOTES:

- [1] - Alternate part numbers:
814437A 1QS
863745R02Reman
- [2] - Alternate part numbers:
814438A 1QS
863745R03Reman
- [3] - Alternate part numbers:
814439A 1QS
863745R04Reman

TRANSMISSION MOUNTING (INBOARD)

TRANSMISSION MOUNTING



47495

TRANSMISSION MOUNTING (INBOARD)

Ref #	Part Class	Part Number	Description	Comments	Qty	Note
1	0000	801765040	BASE		2	
2	0010	809913815	SCREW		2	
3	0012	809936436	WASHER		2	
4	0000	801765035	HOUSING		2	
5	0011	809923100	NUT		8	
6	0014	801765045	WASHER		8	
7	0023	801763874	BUSHING		2	
8	0017	816913	PIN		2	
9	0053	809934175	RING		2	
10	0000	8141581	BRACKET		2	
11	0010	809913859	SCREW		2	
12	0013	809931076	LOCKWASHER		2	
13	0011	809922113	NUT		2	
14	0010	4007745	SCREW		8	
15	0013	809933127	LOCKWASHER		8	

TRANSMISSION MOUNTING (INBOARD)

PARTS INDEX

Part No.	Description	Pg.	Ref.no	Part No.	Description	Pg.	Ref.no
12009	BUSHING (.31 x .45 x .50)	74	6	123811	RETAINER	78	3
13130	CAP Pressure	52	2	13438	NUT (.250-28)	78	11
13743	SCREW (.312-18 x 1.843) Shoulder	78	15	138981	LEVER	78	14
14348A1	SHUTTER ASSEMBLY Water	36	43	1727121	HOSE	74	13
18311A10	COUPLING ASSEMBLY (DUAL STAGE COUPLING)	22	30	18311A13	COUPLING ASSEMBLY (DUAL STAGE COUPLING)	22	31
18654A1	BELLOWS ASSEMBLY	60	10	18718A7	HOUSING ASSEMBLY	22	21
18825A2	PUMP ASSEMBLY	74	1	18893T	BRACKET	66	3
18900A1	TRANSMISSION (1.5:1 Ratio) (1.5:1 RATIO) (DIRECT DRIVE)	88	1	18900A1	TRANSMISSION (1.5:1 Ratio) (1.5:1 RATIO)	92	-
18900A1	TRANSMISSION (1.5:1 Ratio) (1.5:1 RATIO)	96	-	18901A1	TRANSMISSION (2.0:1 Ratio) (2.0:1 RATIO) (DIRECT DRIVE)	88	1
18901A1	TRANSMISSION (2.0:1 Ratio) (2.0:1 RATIO)	92	-	18901A1	TRANSMISSION (2.0:1 Ratio) (2.0:1 RATIO)	96	-
18902A1	TRANSMISSION (2.5:1 Ratio) (2.5:1 RATIO) (DIRECT DRIVE)	88	1	18902A1	TRANSMISSION (2.5:1 Ratio) (2.5:1 RATIO)	92	-
18902A1	TRANSMISSION (2.5:1 Ratio) (2.5:1 RATIO)	96	-	19100A3	COUPLING ASSEMBLY (SINGLE STAGE COUPLING)	22	26
192242	COVER	6	7	19486	FILTER Fuel	50	5
19487	FILTER Air	60	4	19559A1	FLANGE (30MM) (USE WITH METRIC SHAFT)	90	28
19560A1	FLANGE (35MM) (USE WITH METRIC SHAFT)	90	28	19561A1	FLANGE (40MM) (USE WITH METRIC SHAFT)	90	28
19562A1	FLANGE (45MM) (USE WITH METRIC SHAFT)	90	28	19597A6	HARNES ASSEMBLY	68	13
1983389	HOSE	80	6	20553	WASHER (.406 x .734 x .063)	76	22
20959	WASHER	76	14	21071	COTTER PIN	78	17
21272	LOCKWASHER (.250) (OLD DESIGN)	54	38	22024	NUT (.437-14) (USE WITH ENGLISH SHAFT)	88	27
24664	WASHER (M4 x 20)	44	28	24664	WASHER (M4 x 20)	44	31
26992	LOCKWASHER (.250) Stainless Steel (DUAL STAGE COUPLING)	24	39	26992	LOCKWASHER (.250) Stainless Steel (NEW DESIGN)	56	46
28636	SCREW (.250-20 x .750) (NEW DESIGN)	56	45	30164	WASHER (.192 x .375 x .0312) Stainless Steel	66	7
30641	O-RING (.299 x .103)	82	9	32857	COTTER PIN	78	6
32882	NUT (.875-14)	76	20	32993	LOCKWASHER (.437) (USE WITH ENGLISH SHAFT)	88	26
34212	COTTER PIN	76	25	35048	LOCKWASHER (.375)	76	11
35462	WASHER (.2656 x .625 x .0625) Stainless Steel	76	32	35462	WASHER (.2656 x .625 x .0625) Stainless Steel	78	10
35580	FITTING	34	4	35888	NUT (.250-28) Stainless Steel	44	29
35888	NUT (.250-28) Stainless Steel	44	32	36377	COTTER PIN	76	6
37760	ELBOW	74	18	38525	STUD	44	27
40001134	SCREW (M8 x 25)	4	23	40001134	SCREW (M8 x 25) (DUAL STAGE COUPLING)	22	35
4000116	SCREW (M5 x 20)	66	4	40001189	SCREW (M10 x 20) (DUAL STAGE COUPLING)	22	33
40001192	SCREW (M10 x 25) (SINGLE STAGE COUPLING)	22	28	40001192	SCREW (M10 x 25) (2 STAGE COUPLER)	26	26
40001197	SCREW (M10 x 35)	64	30	40001203	SCREW (M10 x 45) (45MM)	26	29
40001206	SCREW (M10 x 50)	22	24	40001206	SCREW (M10 x 50) (50MM)	26	29
40001209	SCREW (M10 x 60) (60MM)	4	28	40001260	SCREW (M12 x 45) (USE WITH METRIC SHAFT)	90	30
4000175	SCREW (M6 x 20) (DUAL STAGE COUPLING)	24	38	4002016	NUT (USE WITH METRIC SHAFT)	90	32
400203	NUT	86	6	400211	NUT (M5) Stainless Steel	66	5
400212	NUT (M6) Stainless Steel	68	6	400213	NUT (M8) Stainless Steel	16	21
400213	NUT (M8) Stainless Steel	36	14	400213	NUT (M8) Stainless Steel	36	26
400213	NUT (M8) Stainless Steel	40	14	400213	NUT (M8) Stainless Steel	40	26
400213	NUT (M8) Stainless Steel	52	24	400213	NUT (M8) Stainless Steel	74	17
400213	NUT (M8) Stainless Steel	78	20	400214	NUT (M10) Stainless Steel	64	34
4002217	WASHER	4	25	4002217	WASHER	6	17
4002217	WASHER	52	23	4002219	WASHER	4	29
400247	LOCKWASHER (M8)	4	24	400247	LOCKWASHER (M8) (DUAL STAGE COUPLING)	22	36
400247	LOCKWASHER (M8)	74	5	400248	LOCKWASHER (M10)	4	20
400248	LOCKWASHER (M10) (SINGLE STAGE COUPLING)	22	29	400248	LOCKWASHER (M10) (DUAL STAGE COUPLING)	22	34
400248	LOCKWASHER (M10) (2 STAGE COUPLER)	26	27	400248	LOCKWASHER (M10)	64	33
400249	LOCKWASHER	64	17	400249	LOCKWASHER (USE WITH METRIC SHAFT)	90	31
4005688	SCREW (M4 x 20)	68	15	4007416	SCREW (M6 x 16)	52	9
4007535	SCREW (M8 x 40)	52	4	4007640	SCREW (USE WITH METRIC SHAFT)	90	29
4007745	SCREW	108	14	41209	SCREW	76	28
41471	LOCKWASHER (.375)	36	42	42600A3	CONTROLLER ASSEMBLY	66	1
46950	COTTER PIN	76	31	48872	FITTING 45 Degree Elbow	32	11
48872	FITTING 45 Degree Elbow	34	11	49099	FITTING (SINGLE STAGE COUPLING)	22	27

PARTS INDEX

Part No.	Description	Pg.	Ref.no	Part No.	Description	Pg.	Ref.no
49099	FITTING (DUAL STAGE COUPLING)	22	32	52498	SCREW (.437-20 x 1.500) (1-1/2"); (USE WITH ENGLISH SHAFT)	88	25
52798	PIN Clevis	76	30	53167	SCREW (.312-18 x .880)	78	5
53300	NUT (.375-24)	76	23	55111	NUT	76	17
56720	WASHER (.330 x .750 x .060) Stainless Steel	78	8	56720	WASHER (.330 x .750 x .060) Stainless Steel	82	8
57969A12	CYLINDER ASSEMBLY Booster (25-58224A1 REPAIR KIT)	76	1	58640	SCREW (.375-16 x 1.25)	36	41
60169	SCREW (.375-16 x .750) (3/4"); (USE WITH ENGLISH SHAFT)	88	24	60171	SCREW (.375-16 x 1.250) (1-1/4"); (USE WITH ENGLISH SHAFT)	88	24
62568	SCREW (#10-16 x .375)	66	6	63341	TEE NUT	78	13
63825	ELBOW	32	10	63825	ELBOW	34	10
63835	ELBOW 45 Degree	34	29	67305	FITTING Grease	76	12
67980	NUT (.312-18)	82	10	68101	SCREW (.375-16 x 1.375)	76	10
68219	NUT (#10-32) Stainless Steel	66	2	68402	PIN (.250 x 1.13)	78	16
70602	SCREW (.250-20 x 2.00) (OLD DESIGN)	54	37	71587A10	RECOVERY KIT Coolant	80	1
71587A11	BOTTLE Plastic	80	2	71614	GASKET	80	4
72058	CAP	80	3	76629	LOCKWASHER Internal Tooth (.750)	76	16
7765377	HOSE (24.500 Inches Bulk) (USE W/O OIL DRAIN PUMP)	6	19	79091	FUSE 20 Ampere (20 AMP)	66	9
79476A1	FLANGE ASSEMBLY (5.00 x 1.00) (1"); (USE WITH ENGLISH SHAFT)	88	23	79476A2	FLANGE ASSEMBLY (5.00 x 1.125) (1-1/8"); (USE WITH ENGLISH SHAFT)	88	23
79476A3	FLANGE ASSEMBLY (5.00 x 1.25) (1-1/4"); (USE WITH ENGLISH SHAFT)	88	23	79476A4	FLANGE ASSEMBLY (5.00 x 1.375) (1-3/8"); (USE WITH ENGLISH SHAFT)	88	23
79476A5	FLANGE ASSEMBLY (5.00 x 1.50) (1-1/2"); (USE WITH ENGLISH SHAFT)	88	23	79476A6	FLANGE ASSEMBLY (5.00 x 1.75) (1-3/4"); (USE WITH ENGLISH SHAFT)	88	23
79476A7	FLANGE ASSEMBLY (5.00 x 2.00) (2"); (USE WITH ENGLISH SHAFT)	88	23	801117181	BOLT Banjo	6	21
801117181	BOLT Banjo (OLD DESIGN)	28	17	801117181	BOLT Banjo	50	9
801119240	BOLT Banjo	50	13	801124680	TANK Power Steering Oil Reservoir	74	7
801256320	BUSHING	44	20	801285638	SEPARATOR Oil	6	15
801285797	O-RING	6	14	801285906	CAP Drain	50	7
801288696	O-RING	50	6	801326523	CLAMP	20	12
801326523	CLAMP	52	30	801326638	CLAMP (SMALL)	62	6
801326638	CLAMP	74	11	801326639	CLAMP	32	13
801326639	CLAMP	34	13	801326639	CLAMP	52	32
801326639	CLAMP	54	20	801326639	CLAMP	54	23
801326639	CLAMP	58	20	801326639	CLAMP	58	23
801326639	CLAMP	86	8	801328048	CLAMP	54	19
801328048	CLAMP	58	19	801329978	BREAKER Circuit	68	10
801331195	O-RING	34	26	801331204	GASKET	48	5
801331212	PIN	18	3	801331213	BUSHING	46	3
801331219	O-RING	50	18	801331233	BOLT Banjo	46	29
801331234	WASHER	46	2	801331235	SPACER	46	8
801331236	CLAMP Injection Nozzle Hold Down	46	7	801331238	CLAMP	46	18
801331239	CLAMP	46	19	801331240	RETURN PIPE	46	28
801331242	PRESSURE PIPE (CYLINDER 1)	46	10	801331243	PRESSURE PIPE (CYLINDER 2)	46	11
801331244	PRESSURE PIPE (CYLINDER 3)	46	12	801331245	PRESSURE PIPE (CYLINDER 4)	46	13
801331246	PRESSURE PIPE (CYLINDER 5)	46	14	801331247	PRESSURE PIPE (CYLINDER 6)	46	15
801331248	CLAMP	46	16	801331249	CLAMP	46	17
801331258	HOSE (OLD DESIGN)	54	35	801331553	TOOL KIT	2	-
801331602	PLUG Expansion	4	2	801331607	SHIM (15 mm) (.15MM)	14	2
801331608	SHIM (20 mm) (.20MM)	14	2	801331613	GASKET Oil Pan	28	2
801331616	GASKET	18	2	801331619	O-RING	22	5
801331619	O-RING	26	5	801331631	BEARING Standard (STANDARD)	16	6
801331632	BEARING (25 mm) (.25MM)	16	6	801331633	BEARING (50 mm) (.50MM)	16	6
801331635	BEARING (STANDARD)	16	8	801331636	BEARING (.25MM)	16	8
801331637	BEARING (.50MM)	16	8	801331639	THRUST WASHER (STANDARD)	16	7
801331640	THRUST WASHER (.10MM)	16	7	801331641	THRUST WASHER (.20MM)	16	7
801331642	KEY	16	2	801331643	GEAR Crankshaft	16	4
801331647	PIN	16	10	801331650	SCREW Locating	4	7
801331651	SCREW	4	15	801331654	O-RING	16	16
801331659	GUIDE Valve (STANDARD)	10	11	801331662	STUD	10	12
801331664	EXPANSION PLUG	10	2	801331666	STUD	10	18
801331670	SPACER	10	26	801331671	BRIDGE	10	20

PARTS INDEX

Part No.	Description	Pg.	Ref.no	Part No.	Description	Pg.	Ref.no
801331673	BRIDGE	10	21	801331674	BRIDGE	10	22
801331675	BOLT	10	23	801331677	BOLT	10	24
801331678	BOLT	10	25	801331684	FITTING Drain	4	9
801331684	FITTING Drain	30	20	801331690	O-RING	6	8
801331695	HOUSING Flywheel	22	1	801331695	HOUSING Flywheel	26	1
801331697	SPACER Flywheel	22	11	801331697	SPACER Flywheel	26	11
801331698	SCREW (M4 x 10)	22	13	801331698	SCREW (M4 x 10)	26	13
801331701	RING GEAR	22	10	801331701	RING GEAR	26	10
801331705	KEY	16	3	801331706	O-RING	18	10
801331712	BUSHING	14	6	801331713	BOLT	14	7
801331715	BEARING Standard (STANDARD)	14	8	801331716	BEARING (25 mm) (.25MM)	14	8
801331717	BEARING (50 mm) (.50MM)	14	8	801331725	RING	14	11
801331731	BUSHING (STANDARD)	12	2	801331733	PLATE Cam Guide	12	4
801331735	KEY	12	3	801331736	GEAR Camshaft	12	7
801331737	LIFTER	8	9	801331738	PUSH ROD	8	10
801331739	ROCKER ARM ASSEMBLY	8	1	801331740	SUPPORT	8	6
801331741	ROCKER ARM (EXHAUST)	8	7	801331742	ROCKER ARM (INTAKE)	8	4
801331745	BUSHING	8	8	801331746	SCREW Adjusting	8	11
801331748	PIN Centering	8	3	801331749	NUT	8	5
801331752	PLATE Spring	10	13	801331754	CAP Spring	10	15
801331755	KEEPER Keepers	10	16	801331979	SENDER	4	12
801332601	WEAR PLATE	54	7	801332601	WEAR PLATE	58	7
801332604	SCREW	54	12	801332604	SCREW	58	12
801332606	GASKET	54	4	801332606	GASKET	58	4
801332607	COVER	54	3	801332607	COVER	58	3
801332608	SCREW	54	2	801332608	SCREW	58	2
801333415	O-RING	28	8	801333423	LINE Oil	8	13
801333424	CLIP	8	16	801333425	DIPSTICK TUBE	28	16
801333441	GASKET	86	2	801333448	STUD (M8 x 140)	30	6
801333449	GASKET	30	2	801333451	STUD (M8 x 90)	30	4
801333453	STUD (M10 x 30)	36	3	801333453	STUD (M10 x 30)	40	3
801333454	GASKET	36	2	801333454	GASKET	40	2
801333455	NUT	64	29	801333457	CLAMP	36	28
801333457	CLAMP	40	28	801333462	GASKET	36	30
801333462	GASKET	40	30	801333464	FITTING	36	20
801333464	FITTING	40	20	801333472	GASKET	20	10
801333850	O-RING	54	15	801333850	O-RING	58	15
801333856	ROD KIT Link	44	12	801333863	BRACKET Rocker Arm	8	2
801333864	BUSHING (25 mm) (.25MM)	12	2	801333865	DIAPHRAGM	50	16
801333873	CONNECTOR	44	41	801333874	SCREW Banjo (M10) Banjo	44	34
801333875	STUD	46	9	801333980	STARTER MOTOR ASSEMBLY	84	1
801334100	INSTRUMENT PANEL	70	3	801334110	SWITCH ASSEMBLY Start	70	13
801334110	SWITCH ASSEMBLY Start	70	21	801334113	TOUCH CONTACTOR	70	18
801334114	SWITCH ASSEMBLY Stop	70	14	801334117	IGNITION SWITCH (SEE CHART FOR KEY)	70	2
801334120	VOLTMETER GAUGE	70	7	801334121	GAUGE Water Temperature	70	6
801334124	INSTRUMENT PANEL	70	22	801334125	GAUGE Oil Pressure	70	10
801334126	GAUGE Oil Temperature	70	9	801334129	BUZZER	70	23
801334216	COVER	72	27	801334299	RELAY Power	68	4
801334306	RELAY Preheating	68	3	801334308	COVER	70	5
801334377	ARMATURE	84	4	801334378	BRUSH SET	84	5
801334379	PARTS SET ARMATURE	84	3	801334380	RELAY	84	2
801334401	KEY 93401	72	-	801334402	KEY 93402	72	-
801334403	KEY 93403	72	-	801334404	KEY 93404	72	-
801334405	KEY 93405	72	-	801334406	KEY 93406	72	-
801334407	KEY 93407	72	-	801334408	KEY 93408	72	-
801334409	KEY 93409	72	-	801334410	KEY 93410	72	-
801334411	KEY 93411	72	-	801334412	KEY 93412	72	-
801334413	KEY 93413	72	-	801334414	KEY 93414	72	-
801334415	KEY 93415	72	-	801334416	KEY 93416	72	-
801334417	KEY 93417	72	-	801334418	KEY 93418	72	-
801334419	KEY 93419	72	-	801334420	KEY 93420	72	-

PARTS INDEX

Part No.	Description	Pg.	Ref.no	Part No.	Description	Pg.	Ref.no
801334421	KEY 93421	72	-	801334422	KEY 93422	72	-
801334423	KEY 93423	72	-	801334424	KEY 93424	72	-
801334425	KEY 93425	72	-	801334495	BOX ASSEMBLY Electrical Components	68	2
801355577	GROMMET	68	8	801761038	STUD	30	3
801761163	CONNECTOR Return	46	25	801761165	BOLT Banjo (M8 x 1.00) Banjo	30	30
801761165	BOLT Banjo (M8 x 1.00) Banjo	46	26	801761166	SCREW	46	20
801761179	CLAMP	60	12	801761179	CLAMP (LARGE)	62	7
801761179	CLAMP	74	9	801761382	BRACKET	4	27
801761617	SCREW	4	31	801761674	BEARING Angle	44	16
801761715	NUT	20	8	801761757	SUPPORT	44	40
801761758	CLAMP	44	36	801761817	MOUNT	60	8
801761820	LOCKWASHER	60	9	801761847	SCREW	44	26
801761921	PUMP Oil Suction (OLD DESIGN)	28	19	801763210	PIPE	50	12
801763219	CLAMP	36	45	801763219	CLAMP	40	41
801763253	PLATE Retaining	60	1	801763269	HOSE Oil Drain (USE WITH OIL DRAIN PUMP)	6	19
801763272	CLAMP	36	4	801763272	CLAMP	40	4
801763304	PIN Support	4	33	801763309	SUPPORT	74	14
801763324	COVER	60	3	801763349	PULLEY	74	2
801763362	SHIM (23 mm) (.23MM)	14	2	801763377	PLUG	10	5
801763384	WASHER	86	10	801763387	NOZZLE	4	11
801763388	CONNECTOR	4	13	801763389	FITTING	36	32
801763389	FITTING	40	32	801763441	ANGLE Support	44	25
801763443	STUD	20	9	801763444	STUD	20	6
801763445	SCREW	28	3	801763446	LIFTING EYE	30	9
801763448	NUT	30	19	801763455	PIPE Oil	36	29
801763455	PIPE Oil	40	29	801763467	TUBE Boost Pressure	44	33
801763508	HOSE	60	11	801763525	LEVER	44	19
801763598	BRACKET	50	1	801763600	DIPSTICK	28	15
801763692	VALVE GUIDE (.10MM)	10	11	801763765	SEAL Rocker Cover	6	5
801763766	ROCKER COVER (FRONT)	6	6	801763767	BAFFLE	6	2
801763769	CONNECTOR	6	13	801763770	O-RING	6	12
801763773	NUT	6	10	801763779	O-RING	6	11
801763790	ROCKER COVER (REAR)	6	1	801763809	PIPE	50	8
801763843	FITTING	46	24	801763843	FITTING	50	23
801763853	PLUG	54	25	801763853	PLUG	58	25
801763855	ELEMENT	54	28	801763855	ELEMENT	58	28
801763856	O-RING	54	29	801763856	O-RING	58	29
801763857	WINDOW	54	30	801763857	WINDOW	58	30
801763858	COVER	54	31	801763858	COVER	58	31
801763859	SCREW	54	32	801763859	SCREW	58	32
801763874	BUSHING	108	7	801763908	STUD (M16 x 125)	4	36
801763916	MOUNT	4	34	801763923	BRACKET (OLD DESIGN)	28	22
801763973	CLAMP (OLD DESIGN)	28	20	801764007	DIODE	68	9
801764018	HARNESS ASSEMBLY	72	29	801764122	INSTRUMENT PANEL ASSEMBLY	70	-
801764123	INSTRUMENT PANEL ASSEMBLY	70	-	801764124	HARNESS ASSEMBLY	70	19
801764125	SWITCH Trailing	70	20	801765017	GASKET	44	2
801765035	HOUSING	108	4	801765040	BASE	108	1
801765045	WASHER	108	6	801765145	PARTIAL ENGINE	4	40
801765223	COVER	60	5	802982204	SOCKET	70	12
802982204	SOCKET	70	12	805013T	PIPE Exhaust	36	40
805017	HOSE	20	11	805018	HOSE	20	15
805045A3	COUPLER ASSEMBLY (2 STAGE COUPLER)	26	23	80510915	SCREW (2 STAGE COUPLER)	26	24
805110	SNUBBER (2 STAGE COUPLER)	26	25	805112	PUMP Primer	50	11
805115A2	CLEANER ASSEMBLY Air	62	3	805176T	BRACKET	62	1
805178	PIPE Oil Return (USE W/O OIL DRAIN PUMP)	6	20	805312	ELEMENT	62	4
805323	VENT TUBE	62	5	805324	STUD Extension	78	18
805582	FLEX TUBE	36	10	805583	FLEX TUBE	40	10
805602A2	ELBOW Exhaust	36	6	805602A2	ELBOW Exhaust	40	6
805731	COUPLER (DUAL STAGE COUPLING)	22	37	805732	O-RING (2.612 x .103)	32	26
809902520	SCREW	70	1	809907583	SCREW	68	7
809907688	SCREW (M4 x 12)	68	15	809908132	STUD	34	8

PARTS INDEX

Part No.	Description	Pg.	Ref.no	Part No.	Description	Pg.	Ref.no
809908132	STUD	52	21	809908147	STUD	32	8
809908402	STUD	22	2	809908402	STUD	26	2
809909067	STUD	36	12	809909067	STUD	40	12
809909067	STUD	52	22	809912516	SCREW (M8 x 50)	4	30
809912529	SCREW	6	16	809913218	SCREW (M5 x 10)	8	17
809913218	SCREW (M5 x 10)	44	37	809913442	SCREW	68	5
809913450	SCREW	28	12	809913466	SCREW (M6 x 16)	28	5
809913466	SCREW (M6 x 16)	28	9	809913466	SCREW (M6 x 16)	28	14
809913466	SCREW (M6 x 16)	44	17	809913466	SCREW (M6 x 16)	74	15
809913477	SCREW (OLD DESIGN)	28	21	809913624	SCREW	52	15
809913657	SCREW (M8 x 25)	74	4	809913689	SCREW	18	6
809913815	SCREW (10MM) (DRIVE PLATE)	26	22	809913815	SCREW	60	2
809913815	SCREW	62	2	809913815	SCREW	108	2
809913834	SCREW	22	6	809913834	SCREW	26	6
809913837	SCREW	88	5	809913843	BOLT	4	19
809913859	SCREW (50MM)	4	28	809913859	SCREW	108	11
809919131	SCREW (M22 x 1.5)	30	17	809919669	SCREW	50	2
809919781	SCREW (M6 x 18)	48	3	809919926	SCREW (M6 x 25)	30	16
809919940	SCREW (M8 x 18)	12	5	809919940	SCREW (M8 x 18)	12	10
809919940	SCREW (M8 x 18)	12	14	809919965	SCREW	30	28
809919969	SCREW	52	27	809919969	SCREW	88	8
809921102	NUT (M16)	4	38	809921631	NUT	84	6
809922028	NUT	68	11	809922038	NUT	44	24
809922038	NUT	44	39	809922038	NUT	64	10
809922113	NUT	50	4	809922113	NUT	88	4
809922113	NUT	108	13	809922133	NUT	64	18
809922133	NUT	84	7	809922404	NUT	68	16
809922410	NUT	44	15	809922417	NUT	54	17
809922417	NUT	58	17	809922417	NUT	60	6
809922426	NUT	34	9	809922457	NUT (M16)	4	35
809922800	NUT	64	12	809923100	NUT	108	5
809930840	LOCKWASHER	36	13	809930840	LOCKWASHER	40	13
809930840	LOCKWASHER	54	27	809930840	LOCKWASHER	58	27
809930840	LOCKWASHER	88	9	809931036	WASHER	8	18
809931036	WASHER	44	14	809931036	WASHER	64	9
809931044	WASHER	28	6	809931044	WASHER	28	13
809931067	WASHER	16	19	809931067	WASHER	18	7
809931067	WASHER	20	7	809931067	WASHER	74	16
809931076	LOCKWASHER	22	25	809931076	LOCKWASHER	26	30
809931076	LOCKWASHER	50	3	809931076	LOCKWASHER	64	11
809931076	LOCKWASHER	108	12	809931084	WASHER	64	16
809931094	WASHER	4	37	809931332	WASHER	64	32
809931652	WASHER	44	18	809932047	LOCKWASHER	44	38
809932062	LOCKWASHER	30	15	809932062	LOCKWASHER	48	4
809932095	LOCKWASHER	12	11	809932095	LOCKWASHER	12	15
809932095	LOCKWASHER	22	19	809932095	LOCKWASHER	26	19
809932095	LOCKWASHER	30	11	809932095	LOCKWASHER	44	21
809932095	LOCKWASHER	52	5	809932095	LOCKWASHER	54	16
809932095	LOCKWASHER	58	16	809932095	LOCKWASHER	78	19
809932110	LOCKWASHER	16	12	809932110	LOCKWASHER	22	17
809932110	LOCKWASHER	26	17	809932112	LOCKWASHER	22	7
809932112	LOCKWASHER	26	7	809932132	LOCKWASHER	84	6
809932646	LOCKWASHER	44	22	809932852	E CLIP	44	23
809933127	LOCKWASHER	108	15	809933149	LOCKWASHER	64	5
809933251	LOCKWASHER	18	15	809934175	RING	108	9
809936436	WASHER	108	3	809937241	PLUG	4	3
809937241	PLUG	10	3	809941485	PIN	16	17
809951453	KEY	64	8	809952104	CLAMP	6	18
809963042	O-RING	8	15	809963042	O-RING	30	31
809963042	O-RING	46	27	809963042	O-RING	52	16
809963072	WASHER	4	14	809963072	WASHER	36	36

PARTS INDEX

Part No.	Description	Pg.	Ref.no	Part No.	Description	Pg.	Ref.no
809963072	WASHER	40	36	809963072	WASHER	44	35
809963129	WASHER	50	14	809963201	WASHER	4	8
809963201	WASHER	6	22	809963201	WASHER (OLD DESIGN)	28	18
809963201	WASHER	30	33	809963201	WASHER	32	23
809963201	WASHER	34	23	809963201	WASHER	36	33
809963201	WASHER	40	33	809963201	WASHER	50	10
809963201	WASHER	54	26	809963201	WASHER	58	26
809963342	O-RING	10	6	809963342	O-RING	36	21
809963342	O-RING	40	21	809963354	WASHER	28	4
809963354	WASHER	30	18	809963355	WASHER	32	24
809963355	WASHER	34	24	809978254	LIGHT BULB	70	11
809978254	LIGHT BULB	70	11	809987302	PIN	44	13
811369	LINER Cylinder	14	1	811372	LIFTING EYE	4	16
811373	SCREW	4	21	811374	LOCKWASHER	4	22
811375	PLUG	4	4	811376	BEARING Standard (STANDARD)	16	5
811377	BEARING (25 mm) (.25MM)	16	5	811378	BEARING (50 mm) (.50MM)	16	5
811379	FLANGE ASSEMBLY	16	9	811380	FLANGE Rear	16	14
811381	NOZZLE	16	13	811382	SCREW (M10 x 90)	16	11
811383	STUD (M8 x 20)	16	18	811383	STUD (M8 x 20)	50	17
811384	LOCKWASHER (M8)	12	6	811384	LOCKWASHER (M8)	16	20
811384	LOCKWASHER (M8)	44	5	811384	LOCKWASHER (M8)	46	5
811385	SEAL	16	15	811386	RING Piston (OLD DESIGN)	14	12
811387	PIN	14	10	811388	SPRING	10	14
811389	PLUG	10	4	811390	VALVE SEAT Inlet	10	9
811391	VALVE SEAT Outlet	10	10	811394	BOLT Banjo Banjo	8	14
811395	NUT	8	12	811396	CAP Filler	6	9
811397	SCREW	6	3	811398	SCREW	6	4
811399	WASHER	46	6	811400	NUT	30	8
811400	NUT	44	6	811400	NUT	46	4
811401	BOLT Banjo (M12) Banjo	36	38	811401	BOLT Banjo (M12) Banjo	40	38
811401	BOLT Banjo (M12) Banjo	48	13	811402	STUD	44	3
811403	NUT	44	9	811404	KEY	44	7
811405	WASHER Sealing	46	21	811406	VALVE Fuel Shut Off	44	10
811407	WASHER	44	11	811408	LOCKWASHER	22	3
811408	LOCKWASHER	26	3	811408	LOCKWASHER	44	8
811409	WASHER	44	4	811410	SCREW (M14)	46	22
811410	SCREW (M14)	50	21	811411	WASHER Sealing	46	30
811412	WASHER	46	23	811412	WASHER	50	22
811413	GEAR	12	12	811414	GEAR	12	8
811415	SCREW	12	13	811416	PUMP ASSEMBLY Fuel	50	15
811417	NUT	50	20	811418	LOCKWASHER	50	19
811419	PULLEY	18	11	811420	COVER	18	4
811421	NUT	18	13	811422	SCREW (M6 x 35)	18	8
811423	SCREW (M10 x 45)	18	14	811424	WASHER	18	5
811425	SEAL	18	9	811426	BRACKET	28	11
811427	LOCKWASHER	28	10	811428	SLEEVE	4	10
811429	RELIEF TUBE	4	6	811431	SET SCREW (M6 x 3)	4	5
811432	COVER	48	11	811433	ELBOW	48	6
811434	GASKET	48	2	811435	CLAMP	48	7
811436	SCREW (M6 x 80)	48	9	811437	WASHER	48	10
811438	WASHER	36	39	811438	WASHER	40	39
811438	WASHER	48	14	811439	WASTEGATE	30	24
811440	MANIFOLD Exhaust	30	1	811441	COVER	30	12
811442	STUD	30	21	811443	STUD	30	22
811444	LINE	30	29	811445	GASKET	30	13
811446	GASKET	30	23	811447	SCREW	30	14
811448	SCREW	30	10	811448	SCREW	36	31
811448	SCREW	40	31	811449	STUD	30	5
811450	WASHER	30	25	811451	LOCKWASHER	30	7
811452	NUT	30	26	811453	FLYWHEEL	22	9
811453	FLYWHEEL	26	9	811454	BOLT	22	14

PARTS INDEX

Part No.	Description	Pg.	Ref.no	Part No.	Description	Pg.	Ref.no
811454	BOLT	26	14	811455	WASHER	22	20
811455	WASHER	26	20	811456	SCREW	22	18
811456	SCREW	26	18	811457	SCREW (M10 x 35)	22	16
811457	SCREW (M10 x 35)	26	16	811458	NUT	22	4
811458	NUT	26	4	811459	WASHER	22	8
811459	WASHER	26	8	811460	LOCKWASHER	36	19
811460	LOCKWASHER	36	25	811460	LOCKWASHER	40	19
811460	LOCKWASHER	40	25	811461	O-RING	36	22
811461	O-RING	40	22	811462	STUD	36	24
811462	STUD	40	24	811463	SCREW	36	18
811463	SCREW	40	18	811465	SCREW	36	35
811465	SCREW	40	35	811466	SLEEVE	36	16
811466	SLEEVE	40	16	811467	CLIP	36	17
811467	CLIP	40	17	811468	PIPE Oil	36	15
811468	PIPE Oil	40	15	811470	HOUSING	36	23
811470	HOUSING	40	23	811471	HOSE	52	33
811472	STUD (M8 x 55)	86	3	811473	STUD	86	4
811474	WASHER	86	5	811475	STUD	64	21
811476	SCREW	64	19	811477	SCREW	64	26
811478	NUT	64	23	811479	WASHER	64	27
811480	WASHER	64	20	811481	LOCKWASHER	64	28
811482	LOCKWASHER	64	22	811483	WASHER	20	5
811483	WASHER	52	18A	811484	COOLER Air	20	1
811485	O-RING	20	2	811486	RADIATOR INSERT	20	3
811487	PLUG Anode Assembly	20	4	811488	VALVE Outlet	10	8
811489	VALVE Inlet	10	7	811490	GASKET SET Engine Overhaul	2	-
811490	GASKET SET Engine Overhaul	4	39	811490	GASKET SET Engine Overhaul	6	23
811490	GASKET SET Engine Overhaul	8	19	811490	GASKET SET Engine Overhaul	10	31
811490	GASKET SET Engine Overhaul	18	16	811490	GASKET SET Engine Overhaul	20	16
811490	GASKET SET Engine Overhaul	24	40	811490	GASKET SET Engine Overhaul	26	31
811490	GASKET SET Engine Overhaul	30	34	811490	GASKET SET Engine Overhaul	38	46
811490	GASKET SET Engine Overhaul	40	43	811490	GASKET SET Engine Overhaul	44	42
811490	GASKET SET Engine Overhaul	46	31	811490	GASKET SET Engine Overhaul	48	15
811490	GASKET SET Engine Overhaul	50	24	811490	GASKET SET Engine Overhaul	86	11
811494	STRAP Connecting	10	30	811495	GLOW PLUG	10	27
811496	WASHER	10	28	811497	NUT	10	29
811498	O-RING	22	12	811498	O-RING	26	12
811505	REGULATOR	64	2	811521	HOLDER Brush	64	3
811522	GASKET SET Cylinder Head	2	-	811522	GASKET SET Cylinder Head	6	24
811522	GASKET SET Cylinder Head	10	32	811522	GASKET SET Cylinder Head	30	35
811522	GASKET SET Cylinder Head	46	32	811522	GASKET SET Cylinder Head	48	16
811945	GEAR (2.5:1 RATIO)	106	64	811946	SHAFT Intermediate (2.5:1 RATIO)	106	63
811947	SHAFT Reversing (2.0:1 RATIO)	104	62	811947	SHAFT Reversing (2.5:1 RATIO)	106	62
811948	SHAFT Intermediate (2.0:1 RATIO)	104	63	811949	GEAR (2.0:1 RATIO)	104	61
811949	GEAR (2.5:1 RATIO)	106	61	811950	GEAR (1.5:1 RATIO)	104	64
811950	GEAR (2.0:1 RATIO)	104	64	811951	SHAFT Reversing (1.5:1 RATIO)	104	62
811952	SHAFT Intermediate (1.5:1 RATIO)	104	63	811953	SCREW	100	3
811954	NUT	100	5	811956	SEAL	100	16
811957	SEAL	100	8	811958	WASHER	100	28
811959	PLUG	100	29	811960	HOUSING Input Side	100	13
811961	HOUSING Control Side	100	1	811962	HOSE Suction	100	6
811963	COVER KIT (INCLUDES REF.#21 & 22)	100	19	811964	DIPSTICK	100	15
811965	CLAMP	100	4	811966	PLUG	100	2
811967	WASHER	104	37	811968	BEARING Ball	104	46
811969	BEARING Tapered Roller Cone	104	36	811970	BEARING Tapered Roller Cup	104	35
811971	BEARING Tapered Roller Cone	104	50	811972	BEARING Tapered Roller	104	52
811973	SHIM (.10MM)	104	53	811974	SHIM (.15MM)	104	53
811975	SHIM (.30MM)	104	53	811976	SHIM (.50MM)	104	53
811977	BEARING Tapered Roller Cup	104	51	811978	BEARING Tapered Roller Cone	104	49
811979	BEARING Tapered Roller Cup	104	48	811980	SHAFT Output	104	55
811981	WASHER	104	57	811982	FLANGE	104	59

PARTS INDEX

Part No.	Description	Pg.	Ref.no	Part No.	Description	Pg.	Ref.no
811983	SCREW	104	60	811984	PIN Dowel	104	54
811985	BEARING Tapered Roller	104	56	811986	BEARING Tapered Roller	104	58
811987	GEAR (1.5:1 RATIO)	104	61	812390	PLUG	72	28
812391	TRIM INDICATOR GAUGE	72	24	812694	HARNES ASSEMBLY Override	72	25
8126995	HOSE (35.50 Inches Bulk) (35-1/2")	34	28	8126996	HOSE Oil (38")	34	28
813278	HOUSING	92	1	813279	COVER	92	2
813280	VENT CAP	92	3	813280	VENT CAP	100	17
813281	LOCKWASHER	92	4	813281	LOCKWASHER	100	12
813282	SCREW	92	5	813282	SCREW	100	11
813283	SCREW	92	6	813284	SCREW	92	7
813284	SCREW	100	10	813285	SCREW	92	8
813285	SCREW	100	9	813286	SEAL	92	9
813286	SEAL	100	14	813287	SCREW	92	10
813288	PLATE Retaining	92	11	813289	HOSE	92	12
813290	PLATE Baffle	92	13	813291	PIN Dowel	92	14
813291	PIN Dowel	100	7	813292	SEAL	92	15
813293	LOCKWASHER	92	16	813293	LOCKWASHER	100	33
813294	SCREW	92	17	813294	SCREW	100	32
813295	CONTROL BLOCK	92	18	813295	CONTROL BLOCK	100	24
813296	SCREW	92	19	813296	SCREW	100	27
813297	WASHER	92	20	813298	LEVER Shift	92	21
813298	LEVER Shift	100	30	813299	NUT	92	22
813299	NUT	100	31	813300	SWITCH	92	23
813300	SWITCH	100	26	813301	GASKET	92	24
813301	GASKET	100	25	813302	PLUG	92	25
813302	PLUG	100	23	813303	WASHER	92	26
813303	WASHER	100	18	813304	COVER KIT	92	27
813305	DIPSTICK	92	31	813306	SHAFT Input	96	32
813306	SHAFT Input	104	40	813307	BEARING Roller	96	33
813307	BEARING Roller	104	39	813308	GEAR	96	34
813308	GEAR	104	38	813309	WASHER	96	35
813310	BEARING Tapered Roller (INNER)	96	36	813311	BEARING Tapered Roller (OUTER)	96	37
813312	RING	96	38	813312	RING	104	34
813313	KEY	96	39	813313	KEY	104	42
813314	BEARING	96	40	813315	SHIM (.10 mm) (.10MM)	96	41
813315	SHIM (.10 mm) (.10MM)	104	47	813316	SHIM (.15 mm) (.15MM)	96	41
813316	SHIM (.15 mm) (.15MM)	104	47	813317	SHIM (.20 mm) (.20MM)	96	41
813317	SHIM (.20 mm) (.20MM)	104	47	813318	SHIM (.50 mm) (.50MM)	96	41
813318	SHIM (.50 mm) (.50MM)	104	47	813319	DISC	96	42
813319	DISC	104	44	813320	DISC	96	43
813320	DISC	104	45	813321	RING	96	44
813321	RING	104	43	813322	PRESSURE DISC	96	45
813322	PRESSURE DISC	104	41	813323	BEARING Tapered Roller (INNER)	96	46
813324	BEARING Tapered Roller (OUTER)	96	47	813325	BEARING Tapered Roller (INNER)	96	48
813326	BEARING Tapered Roller (OUTER)	96	49	813327	SCREW	96	50
813328	SPACER	96	51	813329	O-RING	96	52
813330	FLANGE Output	96	53	813331	BEARING Tapered Roller	96	54
813332	BEARING Tapered Roller (INNER)	96	55	813333	BEARING Tapered Roller (OUTER)	96	56
813334	SHIM (.10 mm) (.10MM)	96	57	813335	SHIM (.15 mm) (.15MM)	96	57
813336	SHIM (.30 mm) (.30MM)	96	57	813337	SHIM (.50 mm) (.50MM)	96	57
813338	GEAR (1.5:1 RATIO)	96	58	813339	SHAFT Intermediate (1.5:1 RATIO)	96	59
813340	SHAFT Output (1.5:1 RATIO)	96	60	813341	GEAR (2.0:1 RATIO)	96	58
813342	SHAFT Intermediate (2.0:1 RATIO)	96	59	813343	SHAFT Output (2.0:1 RATIO)	96	60
813344	GEAR (2.5:1 RATIO)	98	58	813345	SHAFT Intermediate (2.5:1 RATIO)	98	59
813346	SHAFT Output (2.5:1 RATIO)	98	60	813406	O-RING	92	30
813406	O-RING	100	22	813407	O-RING	92	29
813407	O-RING	100	21	813708	SWITCH Tempature	88	11
813905	INSTRUMENT PANEL	72	26	814017A1	HARNES ASSEMBLY	68	1
814078	SENDER Oil Temperature	32	22	814078	SENDER Oil Temperature	34	22
814079	SENDER Water Temperature	30	32	8141581	BRACKET	108	10

PARTS INDEX

Part No.	Description	Pg.	Ref.no	Part No.	Description	Pg.	Ref.no
814437A1	TRANSMISSION (1.5:1 Ratio) (1.5:1 RATIO) (V-DRIVE)	88	1	814437A1	TRANSMISSION (1.5:1 Ratio) (1.5:1 RATIO)	100	-
814437A1	TRANSMISSION (1.5:1 Ratio) (1.5:1 RATIO)	104	-	814438A1	TRANSMISSION (2.0:1 Ratio) (2.0:1 RATIO) (V-DRIVE)	88	1
814438A1	TRANSMISSION (2.0:1 Ratio) (2.0:1 RATIO)	100	-	814438A1	TRANSMISSION (2.0:1 Ratio) (2.0:1 RATIO)	104	-
814439A1	TRANSMISSION (2.5:1 Ratio) (2.5:1 RATIO) (V-DRIVE)	88	1	814439A1	TRANSMISSION (2.5:1 Ratio) (2.5:1 RATIO)	100	-
814439A1	TRANSMISSION (2.5:1 Ratio) (2.5:1 RATIO)	104	-	814858	CLIP	32	2
814858	CLIP	34	2	815088	NUT (M8)	4	32
815088	NUT (M8)	32	9	815395	CONNECTOR (OLD DESIGN)	54	36
815419	FLUID FILTER KIT	92	28	815419	FLUID FILTER KIT	100	20
815504348	CLAMP Worm Gear	60	13	815529	TUBE Exhaust	36	44
815529	TUBE Exhaust	40	40	815928	COVER PLATE	26	28
815987	ADAPTOR	52	26	815988	OUTLET FITTING	52	7
815989	HOSE	52	29	815990	BRACKET	4	17
815991	END CAP	52	20	815992	END CAP	52	3
815993	HOSE	86	7	815997	PLUG	52	13
815999	PLUG	52	19	816000	ANODE	20	4A
816000	ANODE	52	18	816001	WELCH PLUG	52	14
816005	O-RING	52	6	816006	GASKET	52	8
816007	GASKET Thermostat	52	12	816008	THERMOSTAT	52	11
816009	THERMOSTAT COVER	52	10	816010	INSERT	52	17
816011A3	HEAT EXCHANGER	52	1	816152	PIPE Oil Drain (OLD DESIGN)	28	23
816153	PIPE Oil Return (USE WITH OIL DRAIN PUMP)	6	20	816155	HOSE	52	31
816156T	COOLER Oil	32	1	816156T	COOLER Oil	34	1
816157	BRACKET	32	5	816157	BRACKET	34	5
816161T	ADAPTOR Oil Filter	32	16	816161T	ADAPTOR Oil Filter	34	16
816162	SPRING	32	18	816162	SPRING	34	18
816163	THERMOSTAT	32	17	816163	THERMOSTAT	34	17
816165	COVER	32	20	816165	COVER	34	20
816166	RING Retaining	32	21	816166	RING Retaining	34	21
816167	FITTING	32	25	816167	FITTING	34	25
816168	FILTER Oil	32	27	816168	FILTER Oil	34	27
816170	DRIVEPLATE ASSEMBLY (DRIVE PLATE)	26	21	816171	FILTER	54	24
816171	FILTER	58	24	816172	HOSE	54	22
816172	HOSE (OLD DESIGN)	54	39	816172	HOSE	58	22
816173	HOSE Reducer	54	21	816173	HOSE Reducer	58	21
816174	HOSE	54	18	816174	HOSE	58	18
816175	ALTERNATOR	64	1	816177	V BELT	74	3
816182	CLAMP	32	3	816182	CLAMP	34	3
816248	PUMP ASSEMBLY	54	1	816248	PUMP ASSEMBLY	58	1
816311	TIE STRAP (8.00 Inches)	68	12	816339	NOZZLE	54	33
816339	NOZZLE	58	33	816340	BRACKET	32	4
816401	SWITCH	70	4	816402	CHARGING INDICATOR LAMP	70	16
816403	LAMP Oil Pressure Warning	70	17	816404	PREHEATER INDICATOR LAMP	70	15
816454	SCREW	64	15	816458A1	VALVE ASSEMBLY (25-58226A1 REPAIR KIT)	76	8
816533	SUPPORT PLATE	4	18	816537	VENT PIPE	36	34
816537	VENT PIPE	40	34	816539	PULLEY	64	7
816540	BRACE	64	25	816541	SPACER	64	31
816542	BRACKET	64	14	816543	SPACER	64	24
816544	V BELT	64	13	816545	INJECTION NOZZLE	46	1
816550	PUMP Injection	44	1	816553	PAN Oil	28	1
816554	TUBE	28	7	816556	VIBRATION DAMPER	18	12
816600	TUBE Air	60	7	816676	GASKET	52	25
816677	GASKET	52	28	816678	O-RING	32	19
816678	O-RING	34	19	816688105	HOSE	74	10
816689260	HOSE	74	8	816699	BRACKET	88	7
816735	HOSE	32	12	816735	HOSE	34	12
816782	CRANKSHAFT	16	1	816784	STRIP Manifold (REAR)	48	8
816785	STRIP Manifold (FRONT)	48	1	816786	COVER	18	1
816787	VENT PIPE	48	12	816789	VALVE	30	27
816791	TURBO CHARGER (808714 REPAIR KIT)	36	1	816791	TURBO CHARGER (808714 REPAIR KIT)	40	1

PARTS INDEX

Part No.	Description	Pg.	Ref.no	Part No.	Description	Pg.	Ref.no
816792	CONNECTING ROD	14	5	816795	PUMP Oil	12	9
816798	CAMSHAFT	12	1	816801	CYLINDER BLOCK	4	1
816809	PRECHAMBER	10	19	816813	CAM	54	6
816813	CAM	58	6	816814	IMPELLER	54	5
816814	IMPELLER	58	5	816815	RING	54	8
816815	RING	58	8	816816	SPACER	54	9
816816	SPACER	58	9	816817	SEAL	54	10
816817	SEAL	58	10	816818	SEAL	54	11
816818	SEAL	58	11	816819	BEARING	54	13
816819	BEARING	58	13	816820	SHAFT	54	14
816820	SHAFT	58	14	816829	PUMP Water	86	1
816830	BRACKET	22	15	816830	BRACKET	26	15
816831	BLANKET	36	11	816831	BLANKET	40	11
816863	Y-FITTING (OLD DESIGN)	54	34	816871	CONNECTOR	36	8
816871	CONNECTOR	40	8	816909	CONNECTOR	74	19
816913	PIN	108	8	817077	GASKET	36	9
817077	GASKET	40	9	817089	GASKET	36	5
817089	GASKET	40	5	817273	CONNECTOR	86	9
817489	TACHOMETER GAUGE	70	8	817728	O-RING	14	3
817729	O-RING	14	4	818170	STAINER (NEW DESIGN)	54	42
818171	VALVE (NEW DESIGN)	54	41	818172	CONNECTOR (NEW DESIGN)	54	40
818184T	ADAPTER Exhaust	40	42	818304	COVER (NEW DESIGN)	54	43
818305	GASKET (NEW DESIGN)	54	44	81841193	PARTS MANUAL D-254 Turbo AC Diesel Engine Sterndrive/Inboard	2	-
821065930	OWNERS MANUAL	2	-	821069930	OWNERS MANUAL	2	-
821173	RELAY Starting	68	14	821757	CYLINDER HEAD (W/VALVES)	10	1
823296	GASKET (1.42MM)	10	17	823297	GASKET Cylinder Head (1.52MM)	10	17
823298	GASKET (1.62MM)	10	17	823645	PISTON	14	9
823646	RING SET (NEW DESIGN)	14	12	85181	BOLT	80	5
86700T	TUBE Water Pick Up	82	4	86843	SCREW (#10-24 x .500)	82	3
86844	SCREEN Inlet	82	2	88280	ADAPTER	76	9
88281	SCREW (.500-20 x 1.750)	76	13	88282	SLEEVE	76	7
88283	PIN Retaining	76	5	88285	ADAPTER	76	15
88286	BUSHING	76	26	88287	GUIDE	76	19
88791	MOUNT	22	23	88845A1	PICK UP KIT Water	82	1
88847	PLUG Pipe	82	6	88900	GASKET	82	5
89032	SCREW (.312-18 x 4.00)	82	7	891889	HOSE	36	27
891889	HOSE	40	27	89229	PIN Clevis	76	29
89645A15	CYLINDER ASSEMBLY Power Steering	76	-	910002	STUD	88	2
91016	PLUG	36	7	91016	PLUG	40	7
92041	CLIP	36	37	92041	CLIP	40	37
92054	TUBE	76	2	92055	TUBE	76	3
9235750	HOSE Oil (25")	32	15	9235750	HOSE Oil (25")	34	15
9235759	HOSE (34")	32	14	9235759	HOSE (34")	34	14
92766	LOCK	76	27	94953A1	BRACKET ASSEMBLY	76	4
95084A10	CABLE ASSEMBLY (5.00 Inches) Red (SHORT-RED)	66	10	95084A9	CABLE ASSEMBLY (91.00 Inches) Red/Purple Strip (LONG-RED)	66	8
95803	BUSHING	76	24	95848A1	CLEVIS ASSEMBLY	76	21
96112	STUD (.250-28 x 2.00) Throttle Cable Anchor	44	30	96112	STUD (.250-28 x 2.00) Throttle Cable Anchor	78	12
96511A1	TUBE ASSEMBLY Steering	76	18	97477A3	STUD KIT	88	10
987981	STUD (.250-20/.250-28 x 2.120)	78	2	98820	SPACER	78	9
98828	SPACER	78	4	9884339	HOSE ASSEMBLY (72.00 Inches Bulk)	74	12
98880	SPRING	78	7	99118	CLIP	6	20A
99237A10	BRACKET ASSEMBLY	78	1	99322	SPACER	22	22