

Parts Manual

Cat.# 90-81361493

Revised 09-12-2020

TABLE OF CONTENTS

Cat.# 90-81361493

Miscellaneous Parts/Accessories.....	1
Engine/Cylinder Block.....	3
Rocker Cover.....	5
Rocker Arm And Oil Lines.....	7
Cylinder Head.....	11
Camshaft.....	15
Connecting Rod And Piston.....	17
Crankshaft.....	21
Front Cover.....	25
Flywheel Housing (Sterndrive).....	27
Oil Pan.....	31
Exhaust Manifold.....	35
Turbo Charger/Exhaust Elbow (Old Design).....	39
Injection Pump.....	43
Injection Nozzle/Lines.....	47
Oil Lines (5 CYL).....	51
Oil Lines (6 CYL).....	53
Fuel Filter.....	55
Cooling Water Tank.....	57
Seawater Pump (Stern Drive).....	61
Manifold Strip.....	63
Starter Motor.....	65
Water Pump.....	67
Alternator.....	69
Mercathode (Stern Drive).....	71
Motor Harness.....	73
Instrument Panel And Key Chart.....	75
Air Cleaner (Old Design).....	79
Seawater Filter.....	81
Power Steering Components (5 CYL.).....	83
Power Steering Components (6 CYL.).....	85
Oil Cooler And Hoses (6 CYL. Old Design).....	87
Oil Cooler And Hoses (6 CYL New Design).....	89
Power Steering Cylinder (5 CYL Stern Drive).....	91
Shift Bracket.....	93
Coolant Recovery.....	95
Seawater Pump (Mechanical Transmission).....	97
Seawater Pump (Hydraulic Transmission).....	99

TABLE OF CONTENTS

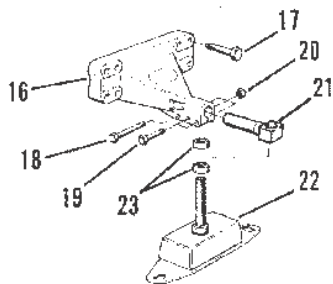
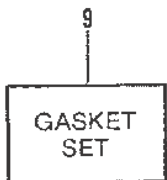
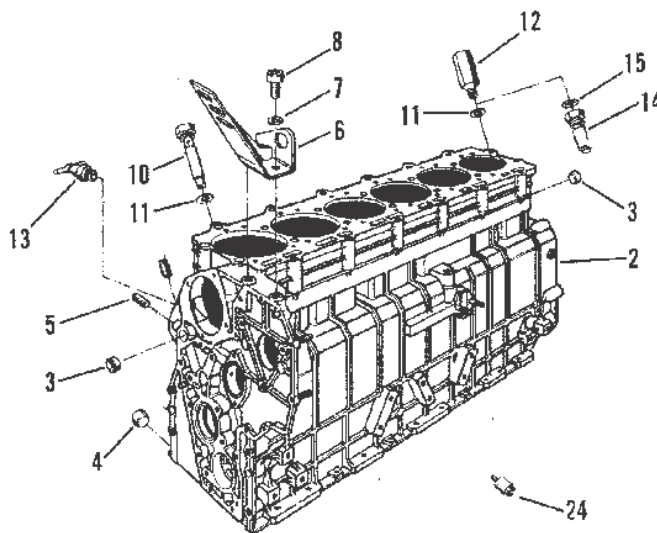
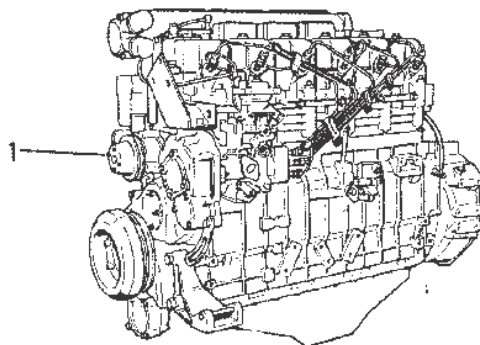
Air Cleaner (New Design).....	101
Hoses (5 Cylinder).....	103
Flywheel Housing/Transmission (Mechanical Transmission).....	105
Transmission (Inline) (Outer Housing).....	107
Transmission (Inline) (Internal Components).....	109
Transmission (Inline) (Internal Component) Continued.....	113
Transmission (8 Degree Down) (Outer Housing).....	117
Transmission (8 Degree Down) (Internal Components).....	119
Transmission (8 Degree Down) (Internal Component) Continued.....	123
Transmission Mounting (Mechanical Transmission).....	127
Transmission Mounting (Hydraulic Transmission).....	129
Transmission And Related Parts Hydraulic Transmission).....	131
Transmission Assembly (Hydraulic Transmission).....	135
Transmission Assembly (Hydraulic Transmission) Continued.....	139
Flywheel Housing (Hydraulic Transmission).....	143
Oil Cooler (Mechanical Transmission).....	145
Turbo Charger/Exhaust Elbow (New Design).....	147

Miscellaneous Parts/Accessories

Miscellaneous Parts/Accessories

Ref #	Part Class	Part Number	Description	Comments	Qty	Note
--	0090	81361493	PARTS MANUAL 530 D-TA / 636 D - TA D183 TURBO AC/D219AC		-	
-	0090	8140991	SERVICE MANUAL		1	
--	0091	801331553	TOOL KIT		-	
--	0000	801763657	PARTS KIT On Board Spare		-	
--	0090	18750901	OWNERS MANUAL Stern Drive, Old Design		-	
--	0090	821063930	OWNERS MANUAL Stern Drive, New Design		-	
--	0090	18828901	OWNERS MANUAL Inboard Old Design		-	
--	0090	821067930	OWNERS MANUAL Inboard New Design		-	

Engine/Cylinder Block



13556

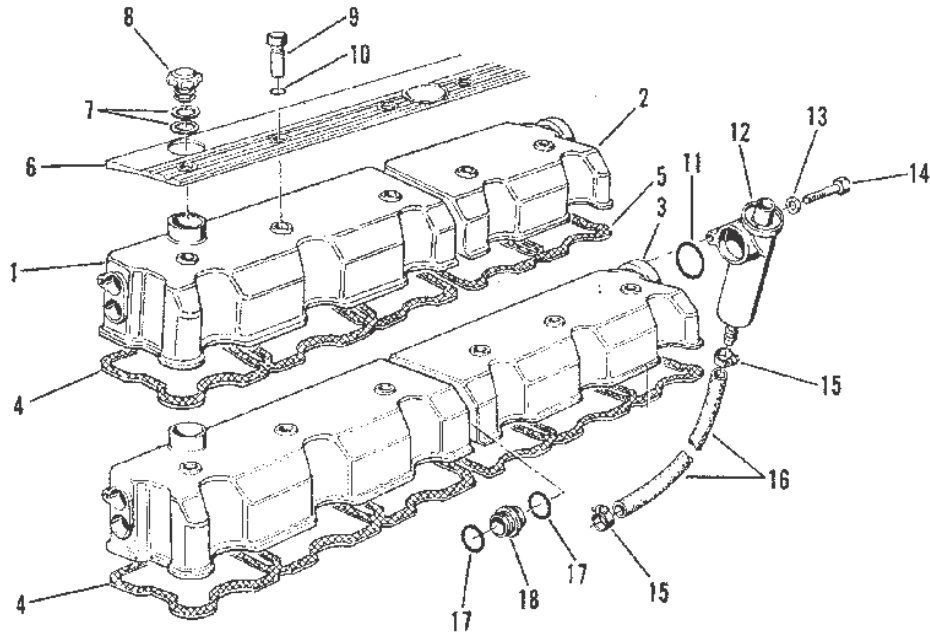
Engine/Cylinder Block

Ref #	Part Class	Part Number	Description	Comments	Qty	Note
2	0882	801763685	CYLINDER BLOCK	(5 CYL)	1	
2	0882	801331600	CYLINDER BLOCK	(6 CYL)	1	
3	0019	801331602	PLUG Expansion		2	
4	0019	809937241	PLUG		2	
5	0010	801331604	SCREW		2	
6	0000	801761848	SUPPORT/LIFTING EYE		5	
7	0013	809931076	LOCKWASHER		1	
8	0010	809919933	SCREW		2	
9	0027	822567A1	GASKET SET	(5 CYL)	1	
9	0027	822570A1	GASKET SET Overhaul	(6 CYL)	1	
10	0010	801331650	SCREW Locating		AR	
11	0012	809963201	WASHER		AR	[1]
12	0000	801763387	NOZZLE		1	
13	0022	801331684	FITTING Drain		1	
14	0022	801763388	CONNECTOR		1	
15	0012	809963072	WASHER		1	
16	0000	801761382	BRACKET		2	
17	0010	809913859	SCREW		8	
18	0010	809912516	SCREW (M8 x 50)		4	
19	0010	801761617	SCREW		2	
20	0011	809922426	NUT		4	
21	0000	801763304	PIN Support		2	
22	0000	801763875	MOUNT		2	
23	0011	809922457	NUT (M16)		4	
24	0087	801331979	SENDER		1	
25	0016	801763908	STUD (M16 x 125)		2	

PART NOTES:

- [1] - Contents Of Gasket Set 822567A 1
 Contents Of Gasket Set822570A 1

Rocker Cover



13557

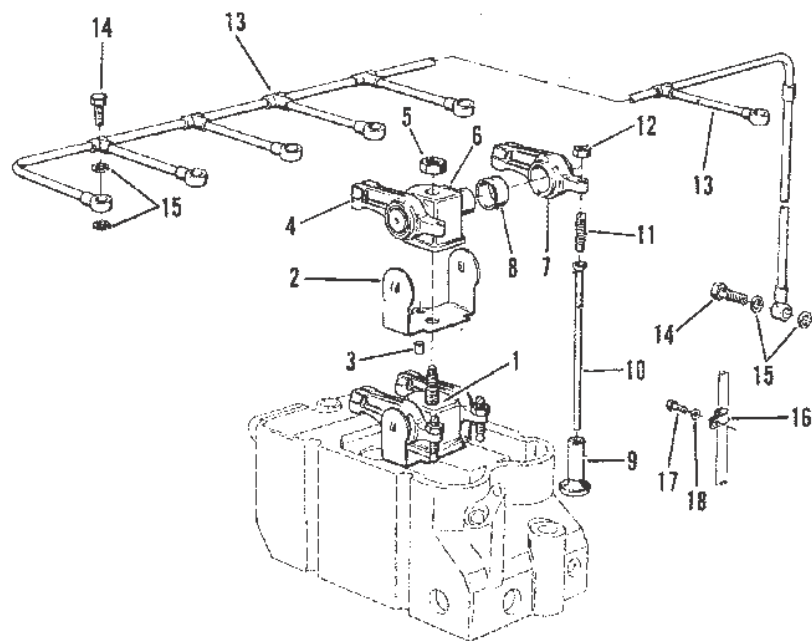
Rocker Cover

Ref #	Part Class	Part Number	Description	Comments	Qty	Note
1	0000	801763766	ROCKER COVER Front	(Quantities: (5 CYL) - 1; (6 CYL) - 1)	AR	
2	0000	801763771	ROCKER COVER Rear	(Quantities: (5 CYL) - 1; (6 CYL) - 0)	AR	
3	0000	801763790	ROCKER COVER Rear	(Quantities: (5 CYL) - 0; (6 CYL) - 1)	AR	
4	0000	801763765	SEAL Rocker Cover	(Quantities: (5 CYL) - 1; (6 CYL) - 2)	AR	[1]
5	0027	801763768	GASKET	(Quantities: (5 CYL) - 1; (6 CYL) - 0)	AR	[2]
6	0000	192241	COVER	(Quantities: (5 CYL) - 1; (6 CYL) - 0)	AR	
6	0000	192242	COVER	(Quantities: (5 CYL) - 0; (6 CYL) - 1)	AR	
7	0025	801331690	O-RING	(Quantities: (5 CYL) - 5; (6 CYL) - 6)	AR	[1]
8	0000	801331689	CAP Oil Fill	(Quantities: (5 CYL) - 1; (6 CYL) - 1)	AR	
9	0011	801763773	NUT	(Quantities: (5 CYL) - 5; (6 CYL) - 6)	AR	
10	0025	801763779	O-RING	(Quantities: (5 CYL) - 5; (6 CYL) - 6)	AR	[1]
11	0025	801285797	O-RING	(Quantities: (5 CYL) - 1; (6 CYL) - 1)	AR	
12	0000	801285638	SEPARATOR Oil	(Quantities: (5 CYL) - 1; (6 CYL) - 1)	AR	
13	0012	809931067	WASHER	(Quantities: (5 CYL) - 1; (6 CYL) - 1)	AR	
14	0010	809912529	SCREW	(Quantities: (5 CYL) - 1; (6 CYL) - 1)	AR	
15	0054	809952104	CLAMP	(Quantities: (5 CYL) - 2; (6 CYL) - 2)	AR	
16	0032	801763269	HOSE Oil Drain	(Quantities: (5 CYL) - 1; (6 CYL) - 1)	AR	
17	0025	801763770	O-RING	(Quantities: (5 CYL) - 4; (6 CYL) - 4)	AR	[1]
18	0022	801763769	CONNECTOR	(Quantities: (5 CYL) - 2; (6 CYL) - 2)	AR	
-	0027	822567A1	GASKET SET	(Quantities: (5 CYL) - 1; (6 CYL) - 0)	AR	
-	0027	822570A1	GASKET SET Overhaul	(Quantities: (5 CYL) - 0; (6 CYL) - 1)	AR	
-	0027	801763764	GASKET SET		AR	
22	0027	801763381	GASKET SET Cylinder Head		AR	

PART NOTES:

- [1] - Contents Of Gasket Set 822567A 1
 Contents Of Gasket Set 822570A 1
 Contents Of Gasket Set 801763764
 Contents Of Gasket Set 801763381
- [2] - Contents Of Gasket Set 822567A 1
 Contents Of Gasket Set 801763381

Rocker Arm And Oil Lines

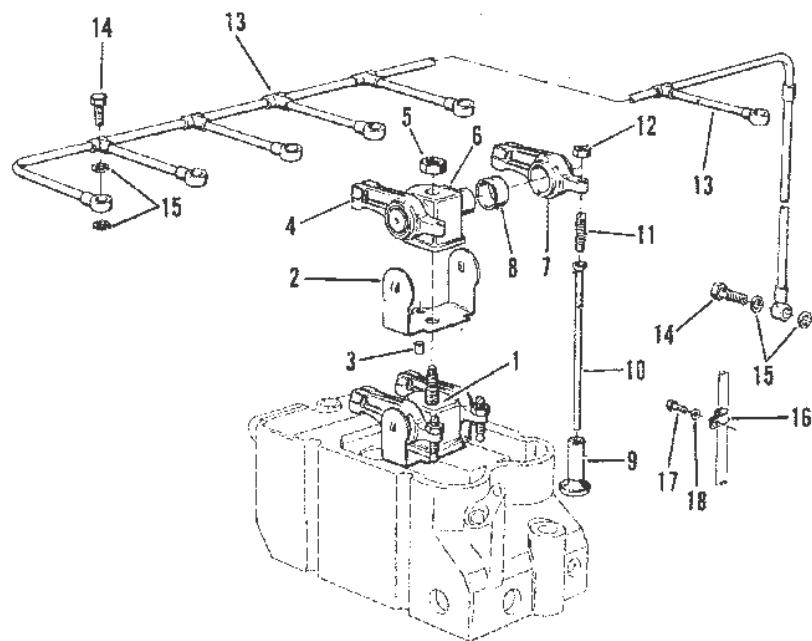


13558

Rocker Arm And Oil Lines

Ref #	Part Class	Part Number	Description	Comments	Qty	Note
1	0000	801331739	ROCKER ARM ASSEMBLY	(Quantities: (5 CYL) - 5; (6 CYL) - 6)	AR	
1	0000	801331739	ROCKER ARM ASSEMBLY	(Quantities: (5 CYL) - 5; (6 CYL) - 6)	AR	
2	0000	801333863	BRACKET Rocker Arm	(Quantities: (5 CYL) - 5; (6 CYL) - 6)	AR	
2	0000	801333863	BRACKET Rocker Arm	(Quantities: (5 CYL) - 5; (6 CYL) - 6)	AR	
3	0017	801331748	PIN Centering	(Quantities: (5 CYL) - 5; (6 CYL) - 6)	AR	
3	0017	801331748	PIN Centering	(Quantities: (5 CYL) - 5; (6 CYL) - 6)	AR	
4	0000	801331742	ROCKER ARM Intake	(Quantities: (5 CYL) - 5; (6 CYL) - 6)	AR	
4	0000	801331742	ROCKER ARM Intake	(Quantities: (5 CYL) - 5; (6 CYL) - 6)	AR	
5	0011	801331749	NUT	(Quantities: (5 CYL) - 5; (6 CYL) - 6)	AR	
5	0011	801331749	NUT	(Quantities: (5 CYL) - 5; (6 CYL) - 6)	AR	
6	0000	801331740	SUPPORT	(Quantities: (5 CYL) - 5; (6 CYL) - 6)	AR	
6	0000	801331740	SUPPORT	(Quantities: (5 CYL) - 5; (6 CYL) - 6)	AR	
7	0000	801331741	ROCKER ARM Exhaust	(Quantities: (5 CYL) - 5; (6 CYL) - 6)	AR	
7	0000	801331741	ROCKER ARM Exhaust	(Quantities: (5 CYL) - 5; (6 CYL) - 6)	AR	
8	0023	801331745	BUSHING	(Quantities: (5 CYL) - 10; (6 CYL) - 12)	AR	
8	0023	801331745	BUSHING	(Quantities: (5 CYL) - 10; (6 CYL) - 12)	AR	
9	0000	801331737	LIFTER	(Quantities: (5 CYL) - 10; (6 CYL) - 12)	AR	
9	0000	801331737	LIFTER	(Quantities: (5 CYL) - 10; (6 CYL) - 12)	AR	
10	0000	801331738	PUSH ROD	(Quantities: (5 CYL) - 10; (6 CYL) - 12)	AR	
10	0000	801331738	PUSH ROD	(Quantities: (5 CYL) - 10; (6 CYL) - 12)	AR	
11	0010	801331746	SCREW Adjusting	(Quantities: (5 CYL) - 10; (6 CYL) - 12)	AR	
11	0010	801331746	SCREW Adjusting	(Quantities: (5 CYL) - 10; (6 CYL) - 12)	AR	
12	0011	809921607	NUT	(Quantities: (5 CYL) - 10; (6 CYL) - 12)	AR	
12	0011	809921607	NUT	(Quantities: (5 CYL) - 10; (6 CYL) - 12)	AR	
13	0032	801763698	LINE Oil	(Quantities: (5 CYL) - 1; (6 CYL) - 0)	AR	
13	0032	801333423	LINE Oil	(Quantities: (5 CYL) - 0; (6 CYL) - 1)	AR	
14	0010	801329259	BOLT Banjo	(Quantities: (5 CYL) - 6; (6 CYL) - 7)	AR	

Rocker Arm And Oil Lines



13558

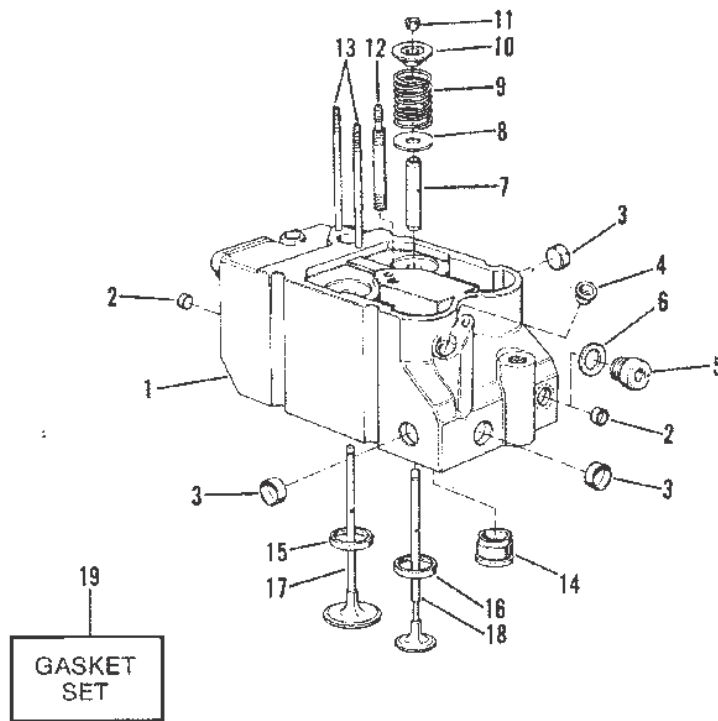
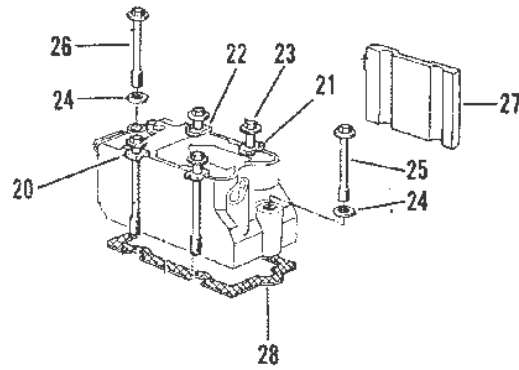
Rocker Arm And Oil Lines

Ref #	Part Class	Part Number	Description	Comments	Qty	Note
14	0010	801329259	BOLT Banjo	(Quantities: (5 CYL) - 12; (6 CYL) - 14)	AR	
15	0025	809963042	O-RING	(Quantities: (5 CYL) - 1; (6 CYL) - 1)	AR	[1]
15	0025	809963042	O-RING	(Quantities: (5 CYL) - 1; (6 CYL) - 1)	AR	[1]
16	0054	801333424	CLIP	(Quantities: (5 CYL) - 1; (6 CYL) - 1)	AR	
17	0010	809913218	SCREW (M5 x 10)	(Quantities: (5 CYL) - 1; (6 CYL) - 1)	AR	
18	0012	809931036	WASHER	(Quantities: (5 CYL) - 1; (6 CYL) - 1)	AR	
19	0027	822567A1	GASKET SET	(Quantities: (5 CYL) - 1; (6 CYL) - 0)	AR	
20	0027	822570A1	GASKET SET Overhaul	(Quantities: (5 CYL) - 0; (6 CYL) - 1)	AR	
21	0027	801763764	GASKET SET		AR	

PART NOTES:

- [1] - Contents Of Gasket Set 822567A 1
 Contents Of Gasket Set 822570A 1
 Contents Of Gasket Set 801763764
 Contents Of Gasket Set 801763381

Cylinder Head



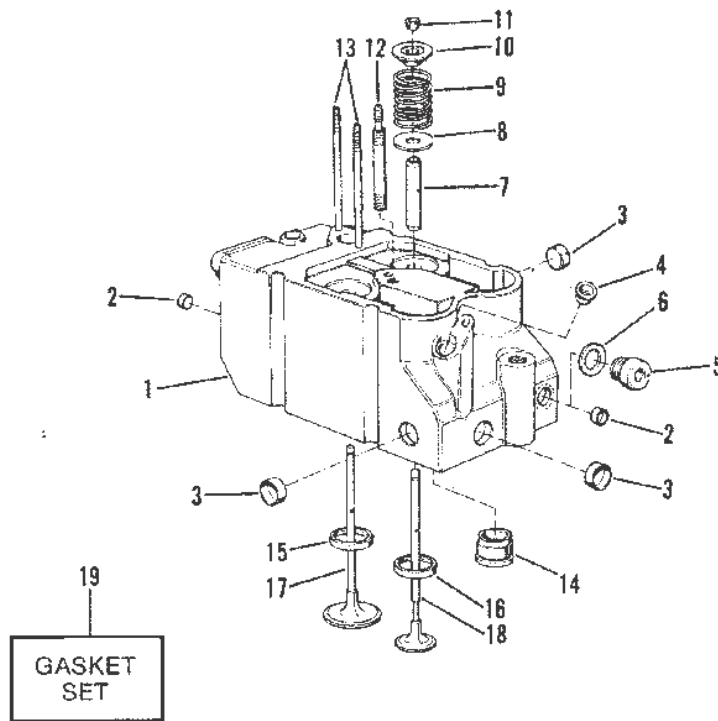
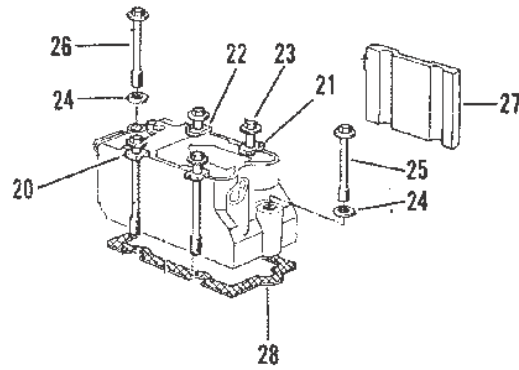
13559

Cylinder Head

Ref #	Part Class	Part Number	Description	Comments	Qty	Note
1	0000	801763395	CYLINDER HEAD With Valves	(Quantities: (5 CYL) - 5; (6 CYL) - 6)	AR	
2	0000	801331664	EXPANSION PLUG	(Quantities: (5 CYL) - 10; (6 CYL) - 12)	AR	
3	0000	801331665	COVER	(Quantities: (5 CYL) - 10; (6 CYL) - 12)	AR	
4	0023	801331213	BUSHING	(Quantities: (5 CYL) - 5; (6 CYL) - 6)	AR	
5	0010	801763377	PLUG	(Quantities: (5 CYL) - 5; (6 CYL) - 6)	AR	
6	0025	809963342	O-RING	(Quantities: (5 CYL) - 5; (6 CYL) - 6)	AR	
7	0000	801763692	VALVE GUIDE	(Quantities: (5 CYL) - 10; (6 CYL) - 12)	AR	
8	0000	801331752	PLATE Spring	(Quantities: (5 CYL) - 10; (6 CYL) - 12)	AR	
9	0024	801331753	SPRING Valve	(Quantities: (5 CYL) - 10; (6 CYL) - 12)	AR	
10	0000	801331754	CAP Spring	(Quantities: (5 CYL) - 10; (6 CYL) - 12)	AR	
11	0000	801331755	KEEPER	(Quantities: (5 CYL) - 20; (6 CYL) - 24)	AR	
12	0016	801331662	STUD	(Quantities: (5 CYL) - 5; (6 CYL) - 6)	AR	
13	0016	801331666	STUD	(Quantities: (5 CYL) - 10; (6 CYL) - 12)	AR	
14	0000	801763564	PRECHAMBER	(Quantities: (5 CYL) - 5; (6 CYL) - 6)	AR	
15	0000	801331682	VALVE SEAT Inlet	(Quantities: (5 CYL) - 5; (6 CYL) - 6)	AR	
16	0000	801331683	VALVE SEAT Outlet	(Quantities: (5 CYL) - 5; (6 CYL) - 6)	AR	
17	0000	811489	VALVE Inlet	(Quantities: (5 CYL) - 5; (6 CYL) - 6)	AR	
18	0000	801331750	OUTLET VALVE	(Quantities: (5 CYL) - 5; (6 CYL) - 6)	AR	
19	0027	801763764	GASKET SET	(Quantities: (5 CYL) - 1; (6 CYL) - 0)	AR	
19	0027	801763381	GASKET SET Cylinder Head	(Quantities: (5 CYL) - 0; (6 CYL) - 1)	AR	
20	0000	801331671	BRIDGE	(Quantities: (5 CYL) - 6; (6 CYL) - 7)	AR	
20	0000	801331671	BRIDGE	(Quantities: (5 CYL) - 1; (6 CYL) - 0)	AR	
21	0000	801331673	BRIDGE	(Quantities: (5 CYL) - 2; (6 CYL) - 2)	AR	
22	0000	801331674	BRIDGE	(Quantities: (5 CYL) - 4; (6 CYL) - 5)	AR	
23	0010	801331675	BOLT	(Quantities: (5 CYL) - 10; (6 CYL) - 12)	AR	
24	0012	801331676	WASHER	(Quantities: (5 CYL) - 10; (6 CYL) - 12)	AR	
25	0010	801331677	BOLT	(Quantities: (5 CYL) - 5; (6 CYL) - 6)	AR	

Cylinder Head

Cylinder Head



13559

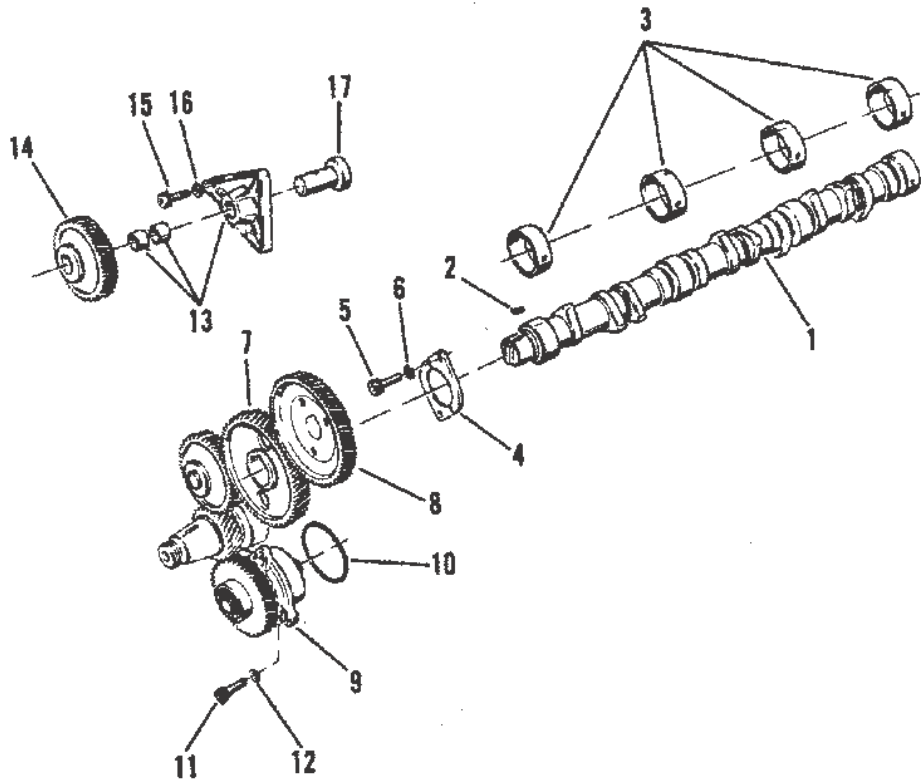
Cylinder Head

Ref #	Part Class	Part Number	Description	Comments	Qty	Note
26	0010	801331678	BOLT	(Quantities: (5 CYL) - 5; (6 CYL) - 6)	AR	
27	0023	801331670	SPACER	(Quantities: (5 CYL) - 2; (6 CYL) - 2)	AR	
28	0027	821749	GASKET (1.42MM)	(Quantities: (5 CYL) - 5; (6 CYL) - 6)	AR	
28	0027	821750	GASKET (1.52MM)		OPT	[1]
28	0027	821751	GASKET (1.62MM)		OPT	[1]

PART NOTES:

[1] - Optional

Camshaft



13560

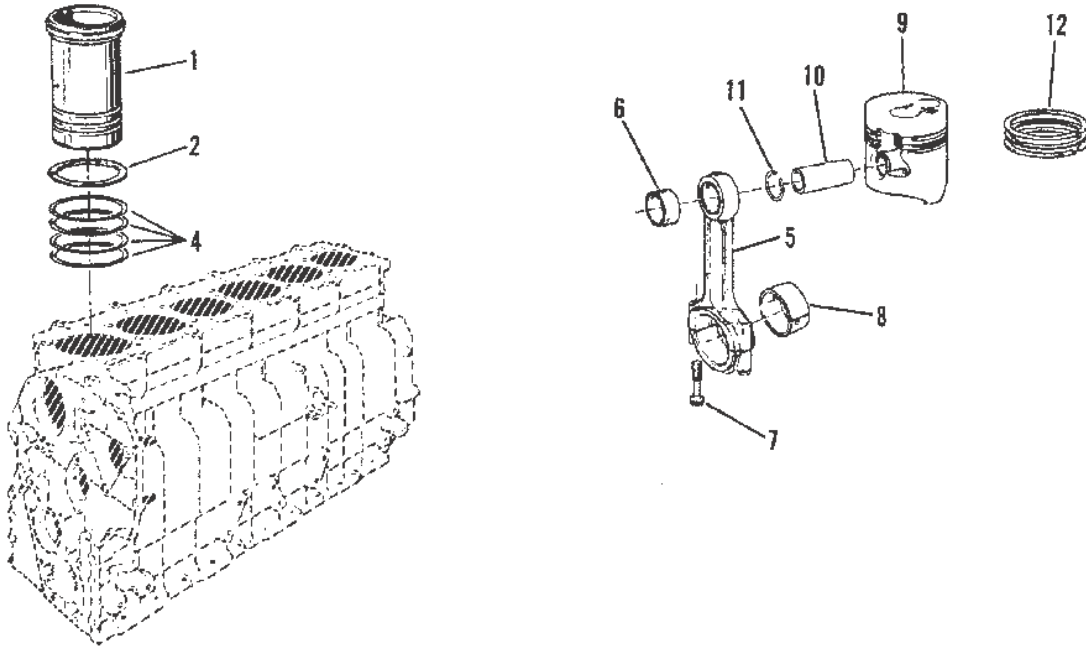
Camshaft

Ref #	Part Class	Part Number	Description	Comments	Qty	Note
1	0480	801763696	CAMSHAFT		1	
1	0480	801763394	CAMSHAFT		1	
2	0028	801331735	KEY		1	
3	0023	801331731	BUSHING Standard		3	
3	0023	801331731	BUSHING Standard		4	
3	0023	801331731	BUSHING (.25 MM)		AR	
4	0000	801331733	PLATE Cam Guide		1	
5	0010	809919940	SCREW (M8 x 18)		2	
6	0013	809930840	LOCKWASHER		2	
7	0043	801331736	GEAR Camshaft		1	
8	0043	801331224	GEAR	[00993834] & Below	1	
8	0043	816193	GEAR Injector Pump	[00993835] & Up	1	
9	0000	801333406	PUMP Oil Early Models	(Use With O-Ring P/N 801333412)	1	
9	0000	818481	PUMP Oil Later Models	(Do Not Use O-Ring) (See Parts Bulletin No. 2001-7)	1	
10	0025	801333412	O-RING	(Use With Oil Pump P/N 801333406)	1	[1]
11	0010	809919940	SCREW (M8 x 18)		3	
12	0013	809932095	LOCKWASHER		3	
13	0000	801333881	BASE PLATE		1	
14	0043	801333404	GEAR		1	
15	0010	809919940	SCREW (M8 x 18)		3	
16	0012	809931660	WASHER		3	
17	0000	801333402	AXLE Rear		1	
-	0027	822567A1	GASKET SET	(Quantities: (5 CYL) - 1; (6 CYL) - 0)	AR	
-	0027	822570A1	GASKET SET Overhaul	(Quantities: (5 CYL) - 0; (6 CYL) - 1)	AR	

PART NOTES:

- [1] - Contents Of Gasket Set 822567A 1
 Contents Of Gasket Set822570A 1

Connecting Rod And Piston



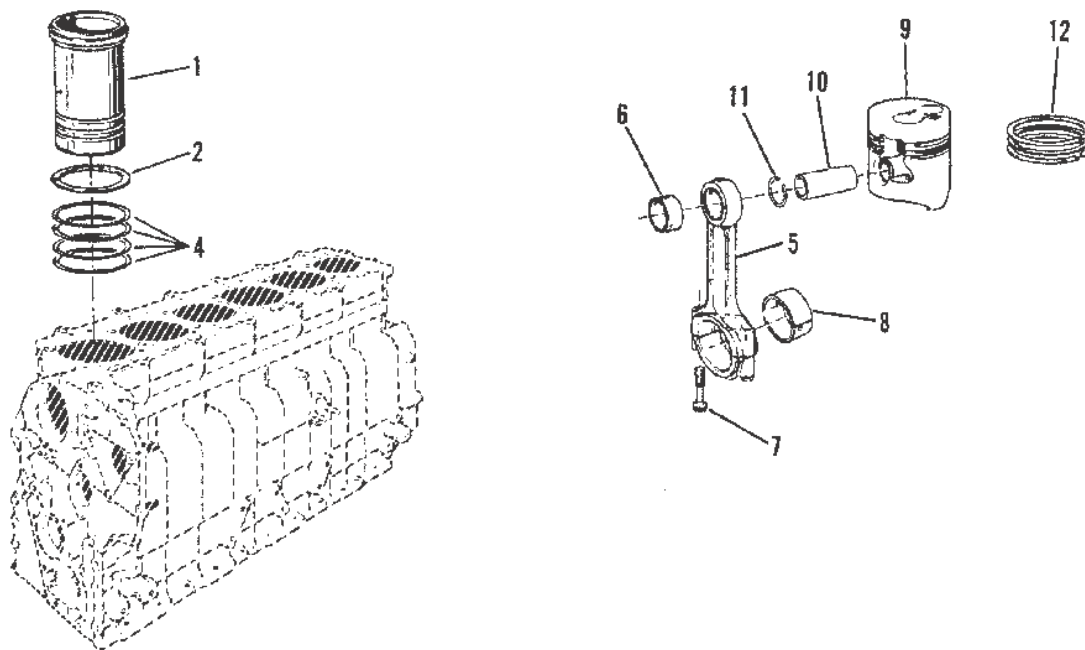
13561

Connecting Rod And Piston

Ref #	Part Class	Part Number	Description	Comments	Qty	Note
1	0051	801331605	LINER Cylinder (92.00 MM/92.01 MM)	(Quantities: (5 CYL) - 5; (6 CYL) - 6)	AR	
1	0051	801331605	LINER Cylinder (92.00 MM/92.01 MM)	(Quantities: (5 CYL) - 5; (6 CYL) - 6)	AR	
1	0051	801331626	LINER Cylinder (92.01 MM/92.02 MM)	(Quantities: (5 CYL) - 5; (6 CYL) - 6)	AR	
1	0051	801331626	LINER Cylinder (92.01 MM/92.02 MM)	(Quantities: (5 CYL) - 5; (6 CYL) - 6)	AR	
2	0015	801331607	SHIM (15 mm)		AR	
2	0015	801331608	SHIM (20 mm)		AR	
2	0015	801763362	SHIM (23 mm)		AR	
4	0025	811893A1	O-RING	(Quantities: (5 CYL) - 5; (6 CYL) - 6)	AR	[1]
4	0025	811893A1	O-RING	(Quantities: (5 CYL) - 5; (6 CYL) - 6)	AR	[1]
5	0614	801765025	CONNECTING ROD ASSEMBLY	(Quantities: (5 CYL) - 5; (6 CYL) - 6)	RA	
5	0614	801765025	CONNECTING ROD ASSEMBLY	(Quantities: (5 CYL) - 5; (6 CYL) - 6)	AR	
6	0023	801331712	BUSHING	(Quantities: (5 CYL) - 5; (6 CYL) - 6)	AR	
6	0023	801331712	BUSHING	(Quantities: (5 CYL) - 5; (6 CYL) - 6)	AR	
7	0010	801331713	BOLT	(Quantities: (5 CYL) - 10; (6 CYL) - 12)	AR	
7	0010	801331713	BOLT	(Quantities: (5 CYL) - 10; (6 CYL) - 12)	AR	
8	0000	801331715	BEARING Standard	(Quantities: (5 CYL) - 5; (6 CYL) - 6)	AR	
8	0000	801331715	BEARING Standard	(Quantities: (5 CYL) - 5; (6 CYL) - 6)	AR	
8	0000	801331716	BEARING (25 mm)		AR	
8	0000	801331717	BEARING (50 mm)		AR	
9	0786	801763391	PISTON	(Quantities: (5 CYL) - 5; (6 CYL) - 6)	AR	
9	0786	801763391	PISTON	(Quantities: (5 CYL) - 5; (6 CYL) - 6)	AR	
10	0041	801763393	PIN Piston	(Quantities: (5 CYL) - 5; (6 CYL) - 6)	AR	
10	0041	801763393	PIN Piston	(Quantities: (5 CYL) - 5; (6 CYL) - 6)	AR	
11	0040	801331725	RING	(Quantities: (5 CYL) - 10; (6 CYL) - 12)	AR	
11	0040	801331725	RING	(Quantities: (5 CYL) - 10; (6 CYL) - 12)	AR	
12	0039	801331720	RING Piston	(Quantities: (5 CYL) - 5; (6 CYL) - 6)	AR	
12	0039	801331720	RING Piston	(Quantities: (5 CYL) - 5; (6 CYL) - 6)	AR	
13	0027	822567A1	GASKET SET	(Quantities: (5 CYL) - 1; (6 CYL) - 0)	AR	
14	0027	822570A1	GASKET SET Overhaul	(Quantities: (5 CYL) - 0; (6 CYL) - 1)	AR	

Connecting Rod And Piston

Connecting Rod And Piston



13561

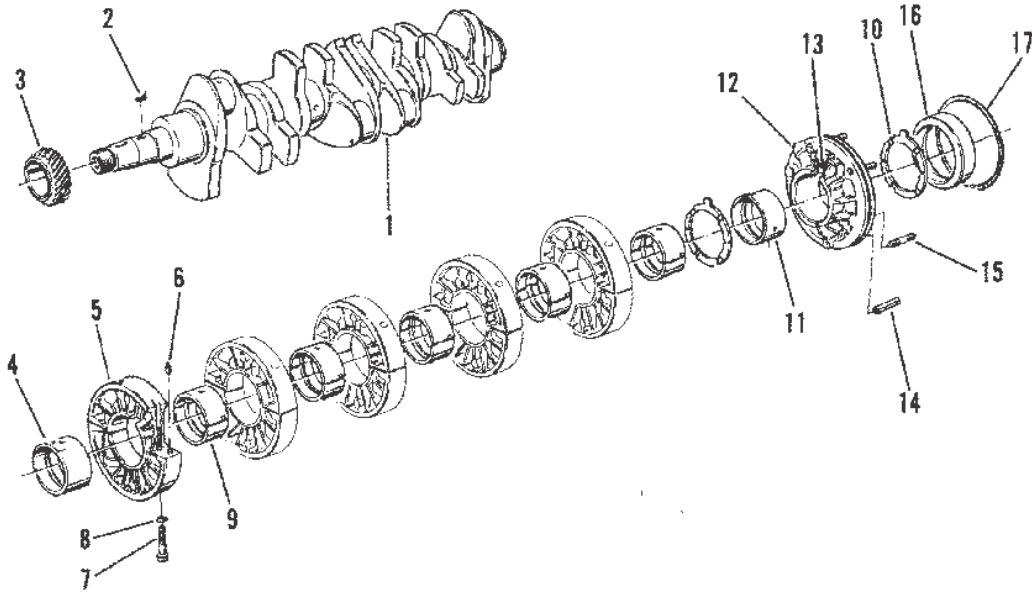
Cat.# 90-81361493

Connecting Rod And Piston

PART NOTES:

- [1] - Contents Of Gasket Set 822567A 1
Contents Of Gasket Set822570A 1

Crankshaft



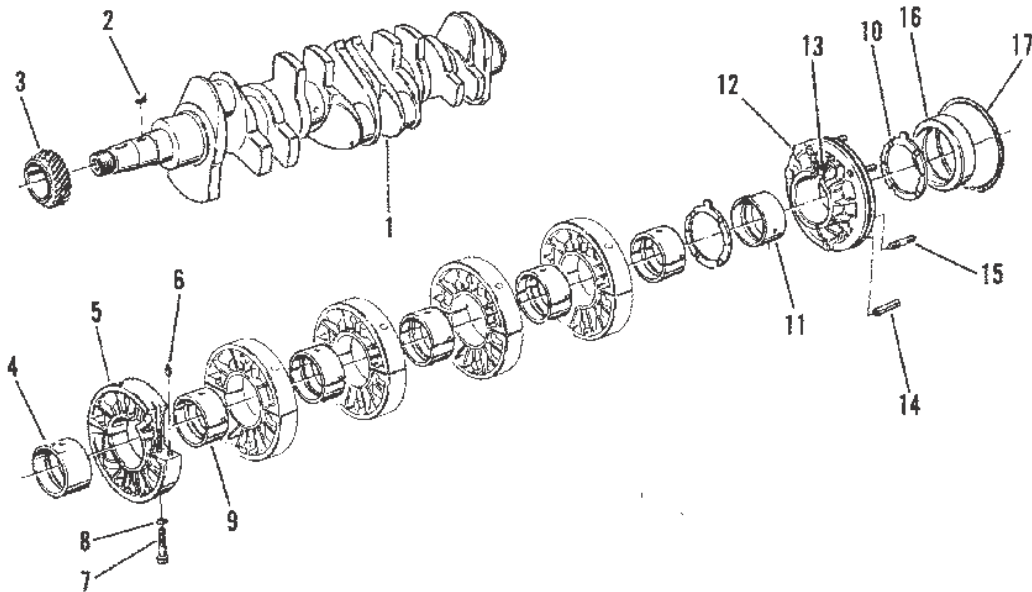
13562

Crankshaft

Ref #	Part Class	Part Number	Description	Comments	Qty	Note
1	0479	801763695	CRANKSHAFT	(Quantities: (5 CYL) - 1; (6 CYL) - 0)	AR	
1	0479	801331625	CRANKSHAFT	(Quantities: (5 CYL) - 0; (6 CYL) - 1)	AR	
2	0028	801331642	KEY	(Quantities: (5 CYL) - 1; (6 CYL) - 1)	AR	
3	0043	801331643	GEAR Crankshaft	(Quantities: (5 CYL) - 1; (6 CYL) - 1)	AR	
4	0023	801331627	BUSHING Standard	(Quantities: (5 CYL) - 1; (6 CYL) - 1)	AR	
4	0023	801331628	BUSHING (.25MM)		AR	
4	0023	801331629	BUSHING (.50MM)		AR	
5	0000	801331644	FLANGE Front	(Quantities: (5 CYL) - 4; (6 CYL) - 5)	AR	
5	0000	801331644	FLANGE Front	(Quantities: (5 CYL) - 4; (6 CYL) - 5)	AR	
6	0017	801331647	PIN	(Quantities: (5 CYL) - 8; (6 CYL) - 10)	AR	
6	0017	801331647	PIN	(Quantities: (5 CYL) - 8; (6 CYL) - 10)	AR	
7	0010	801331209	SCREW	(Quantities: (5 CYL) - 8; (6 CYL) - 10)	AR	
7	0010	801331209	SCREW	(Quantities: (5 CYL) - 8; (6 CYL) - 10)	AR	
8	0013	809932110	LOCKWASHER	(Quantities: (5 CYL) - 8; (6 CYL) - 10)	AR	
8	0013	809932110	LOCKWASHER	(Quantities: (5 CYL) - 8; (6 CYL) - 10)	AR	
9	0023	801331631	BEARING Standard	(Quantities: (5 CYL) - 4; (6 CYL) - 5)	AR	
9	0023	801331631	BEARING Standard	(Quantities: (5 CYL) - 4; (6 CYL) - 5)	AR	
9	0023	801331632	BEARING (25 mm)		AR	
9	0023	801331633	BEARING (50 mm)		AR	
10	0012	801331639	THRUST WASHER Standard	(Quantities: (5 CYL) - 2; (6 CYL) - 2)	AR	
10	0012	801331640	THRUST WASHER (.10MM)		AR	
10	0012	801331641	THRUST WASHER (.20MM)		AR	
11	0023	801331635	BEARING Standard	(Quantities: (5 CYL) - 1; (6 CYL) - 1)	AR	
11	0023	801331636	BEARING (.25MM)		AR	
11	0023	801331637	BEARING (.50MM)		AR	
12	0000	801331652	FLANGE Rear	(Quantities: (5 CYL) - 1; (6 CYL) - 1)	AR	
13	0000	801331649	NOZZLE	(Quantities: (5 CYL) - 5; (6 CYL) - 6)	AR	
13	0000	801331649	NOZZLE	(Quantities: (5 CYL) - 5; (6 CYL) - 6)	AR	
14	0017	809941485	PIN	(Quantities: (5 CYL) - 1; (6 CYL) - 1)	AR	
15	0016	801761038	STUD	(Quantities: (5 CYL) - 6; (6 CYL) - 6)	AR	

Crankshaft

Crankshaft



13562

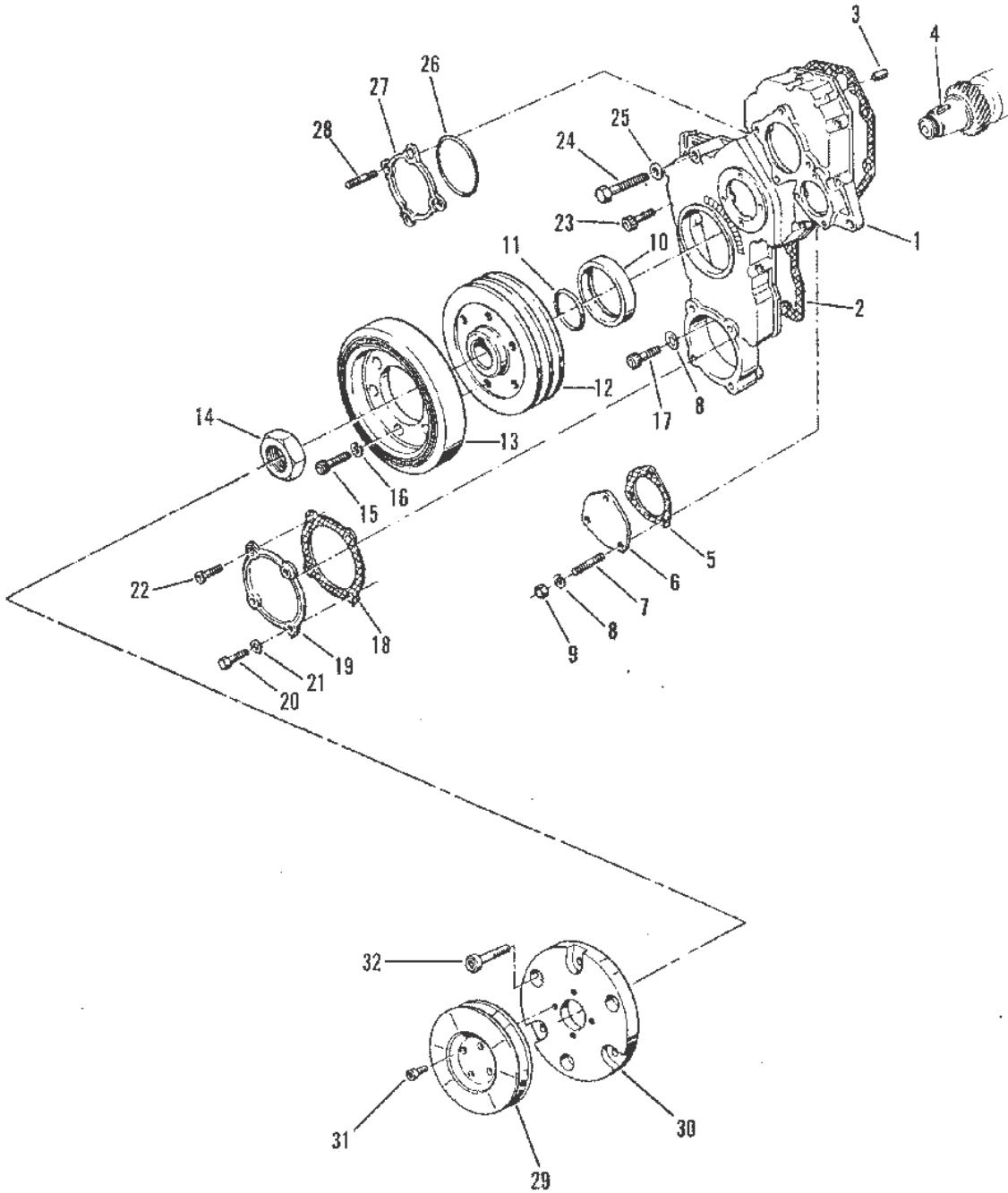
Crankshaft

Ref #	Part Class	Part Number	Description	Comments	Qty	Note
16	0026	801331655	SEAL	(Quantities: (5 CYL) - 1; (6 CYL) - 1)	AR	[1]
17	0025	801331654	O-RING	(Quantities: (5 CYL) - 1; (6 CYL) - 1)	AR	[1]
18	0027	822567A1	GASKET SET	(Quantities: (5 CYL) - 1; (6 CYL) - 0)	AR	
19	0027	822570A1	GASKET SET Overhaul	(Quantities: (5 CYL) - 0; (6 CYL) - 1)	AR	

PART NOTES:

- [1] - Contents Of Gasket Set 822567A 1
Contents Of Gasket Set822570A 1

Front Cover



13563

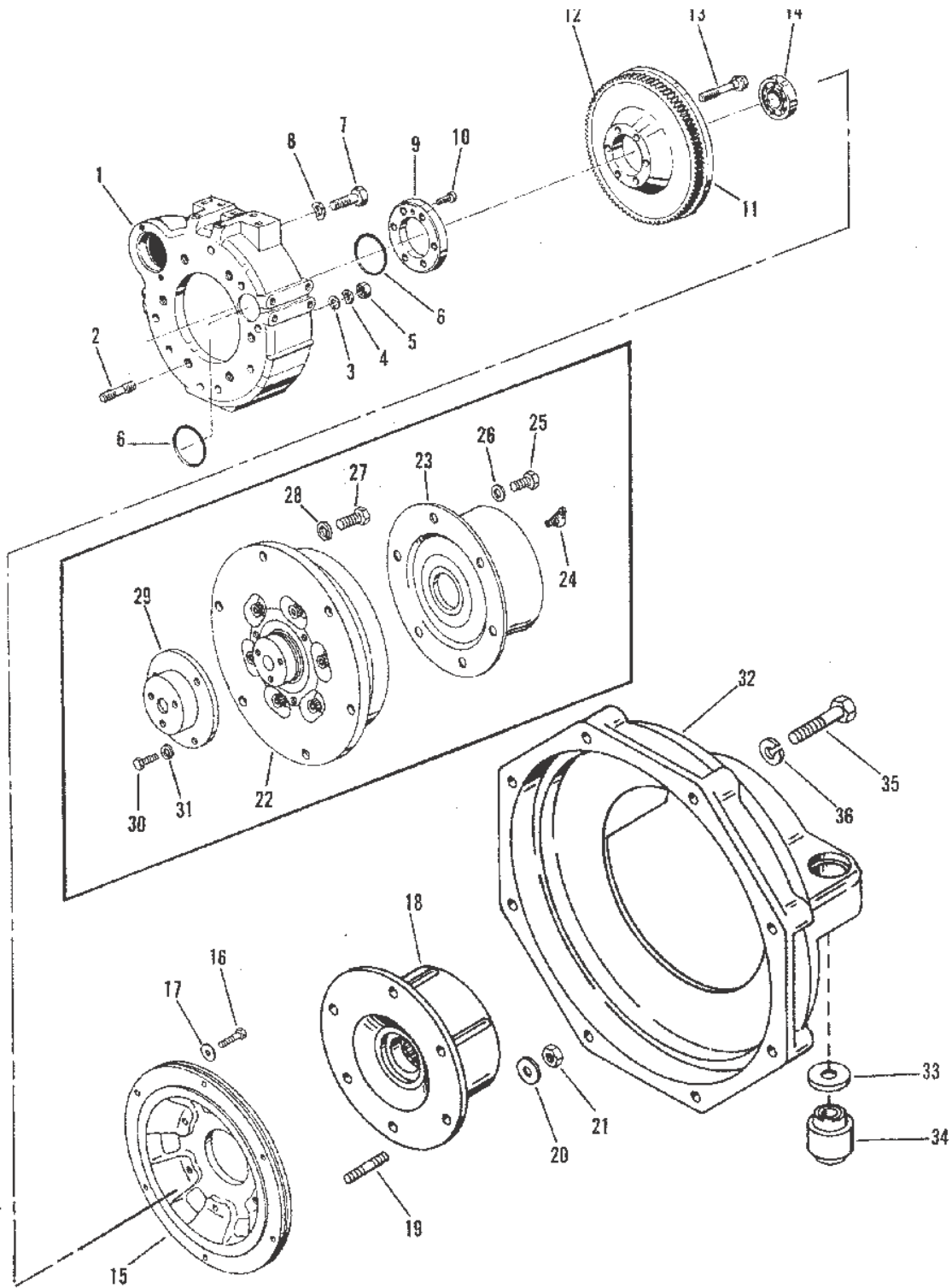
Front Cover

Ref #	Part Class	Part Number	Description	Comments	Qty	Note
1	0000	801331615	COVER Early Models		1	
1	0000	818482	COVER Later Models		1	
2	0027	801331616	GASKET		1	[1]
3	0017	801331212	PIN		2	
4	0028	801331705	KEY		1	
5	0027	801331621	GASKET		1	[1]
6	0000	801331620	COVER		1	
7	0016	801761801	STUD		3	
8	0013	809932071	LOCKWASHER		3	
9	0011	809922800	NUT		3	
10	0026	801331617	SEAL		1	[1]
11	0025	801331706	O-RING		1	[1]
12	0000	801763565	PULLEY		1	
13	0000	801331708	VIBRATION DAMPER		1	
14	0011	801331707	NUT		1	
15	0010	809919682	SCREW		6	
16	0013	809933251	LOCKWASHER		6	
17	0010	809919965	SCREW		1	
18	0027	801331623	GASKET		1	[1]
19	0000	801331622	COVER		1	
20	0010	809913644	SCREW		3	
21	0013	809932095	LOCKWASHER		3	
22	0010	801331211	SCREW		1	
23	0010	809919926	SCREW (M6 x 25)		13	
24	0010	809913689	SCREW		1	
25	0012	809931067	WASHER		1	
26	0025	801331619	O-RING		1	[1]
27	0000	801331618	COVER		1	
28	0016	801331210	STUD		4	
29	0000	801761182	PULLEY Stern Drive		1	
30	0000	801763624	FLANGE Stern Drive		1	
31	0010	809919962	SCREW Stern Drive		4	
32	0010	809919669	SCREW Stern Drive		3	
33	0027	822567A1	GASKET SET	(Quantities: (5 CYL) - 1; (6 CYL) - 0)	AR	
34	0027	822570A1	GASKET SET Overhaul	(Quantities: (5 CYL) - 0; (6 CYL) - 1)	AR	
35	0012	20533	WASHER		4	

PART NOTES:

- [1] - Contents Of Gasket Set 822567A 1
 Contents Of Gasket Set822570A 1

Flywheel Housing (Sterndrive)



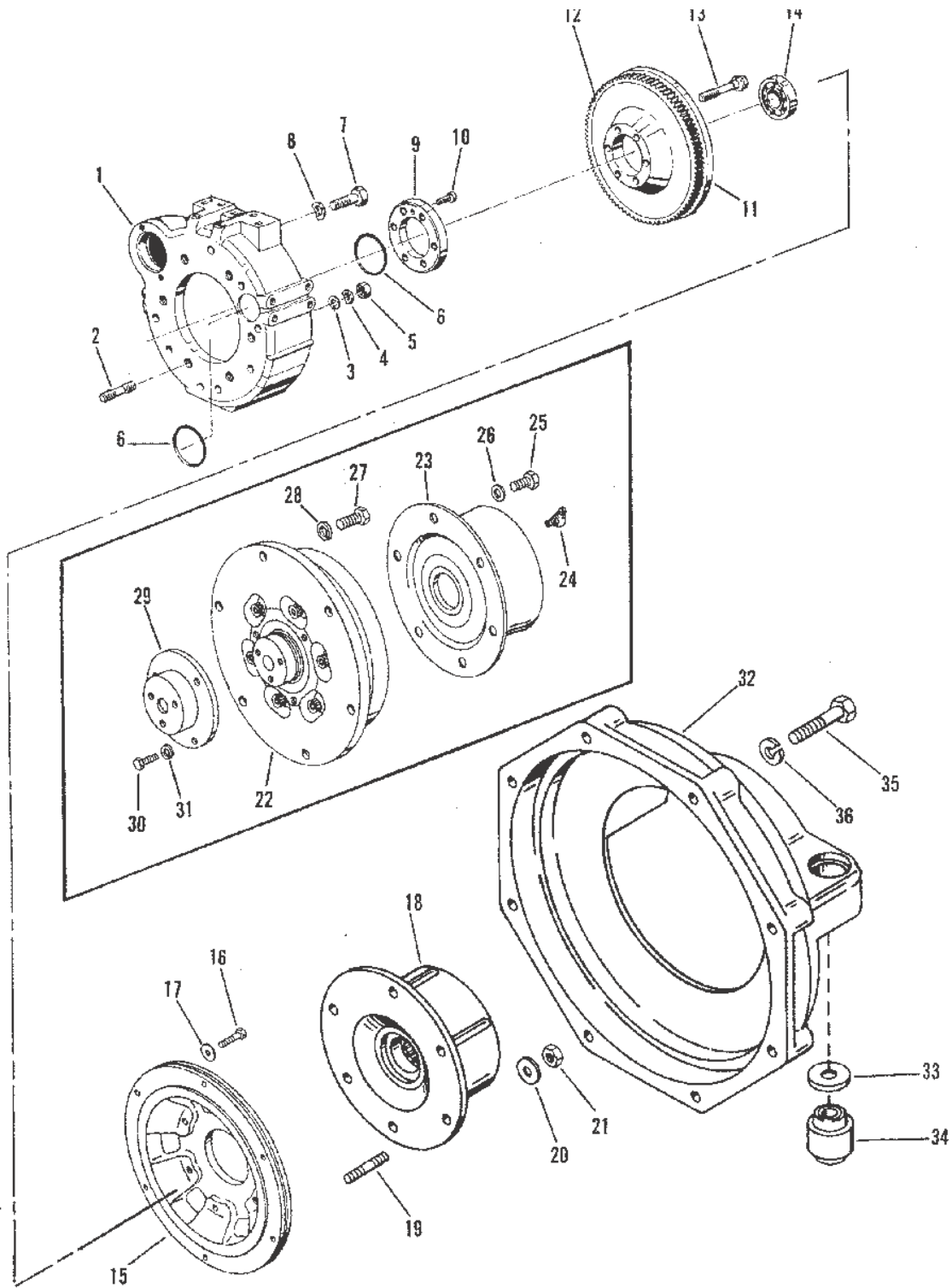
13564

Flywheel Housing (Sterndrive)

Ref #	Part Class	Part Number	Description	Comments	Qty	Note
1	0000	801331694	HOUSING Flywheel		1	
2	0016	809908402	STUD		2	
3	0012	809931067	WASHER		6	
4	0013	809932095	LOCKWASHER		6	
5	0011	809922087	NUT		6	
6	0025	801331619	O-RING		2	[1]
7	0010	809913837	SCREW		9	
8	0013	809932112	LOCKWASHER		9	
9	0000	801331697	SPACER Flywheel		1	
10	0010	801331698	SCREW (M4 x 10)		1	
11	0265	801331699	FLYWHEEL		1	
12	0043	801331701	RING GEAR		1	
13	0010	801331703	BOLT		6	
14	0030	801331702	BEARING Ball Single State Coupling		1	
15	0000	18743T	ADAPTOR Single State Coupling		1	
16	0010	40001134	SCREW (M8 x 25) Single State Coupling		6	
17	0013	400247	LOCKWASHER (M8) Single State Coupling		6	
18	0000	97432A2	COUPLING ASSEMBLY Single State Coupling		1	
19	0016	76175	STUD Single State Coupling		6	
20	0012	34714	WASHER Single State Coupling		6	
21	0011	25269	NUT (.375-24) Single State Coupling		6	
22	0000	18311A9	COUPLING ASSEMBLY Dual Stage Coupling		1	
23	0000	805684A2	COUPLING Dual Stage Coupling		1	
24	0022	49099	FITTING Dual Stage Coupling		2	
25	0010	40001189	SCREW (M10 x 20) Dual Stage Coupling		6	
26	0013	400248	LOCKWASHER (M10) Dual Stage Coupling		6	
27	0010	40001134	SCREW (M8 x 25) Dual Stage Coupling		6	
28	0013	400247	LOCKWASHER (M8) Dual Stage Coupling		6	
29	0000	818945	COUPLER Dual Stage Coupling		1	
30	0010	4000175	SCREW (M6 x 20) Dual Stage Coupling		6	
31	0013	400246	LOCKWASHER Dual Stage Coupling		6	
32	0000	18718A7	HOUSING ASSEMBLY		1	
33	0023	99322	SPACER		2	
34	0000	88791	MOUNT		2	
35	0010	40001206	SCREW (M10 x 50)		8	
36	0013	809931076	LOCKWASHER		8	
37	0027	822567A1	GASKET SET	(Quantities: (5 CYL) - 1; (6 CYL) - 0)	AR	

Flywheel Housing (Sterndrive)

Flywheel Housing (Sterndrive)



13564

Cat.# 90-81361493

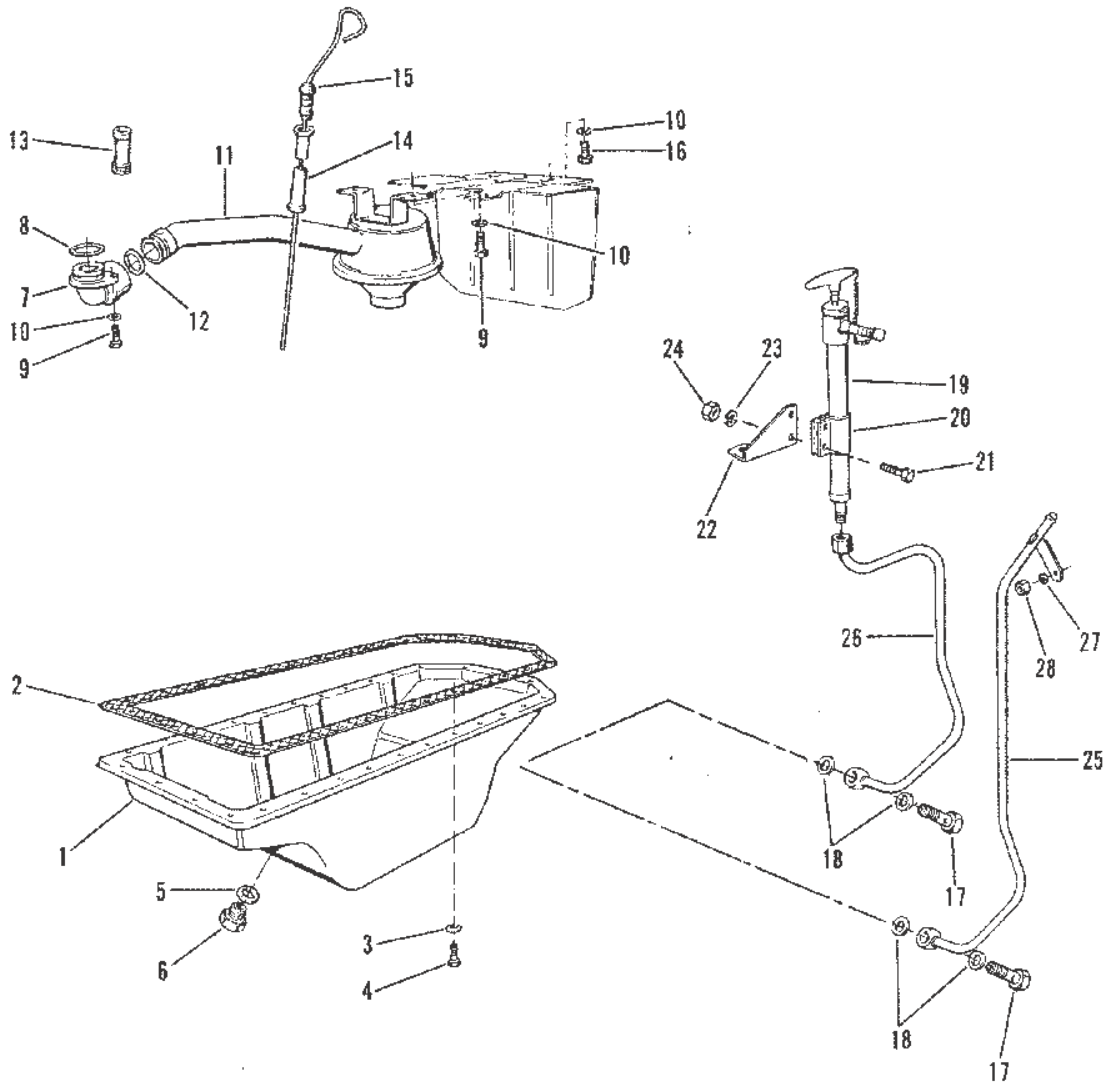
Flywheel Housing (Sterndrive)

Ref #	Part Class	Part Number	Description	Comments	Qty	Note
38	0027	822570A1	GASKET SET Overhaul	(Quantities: (5 CYL) - 0; (6 CYL) - 1)	AR	

PART NOTES:

- [1] - Contents Of Gasket Set 822567A 1
Contents Of Gasket Set822570A 1

Oil Pan



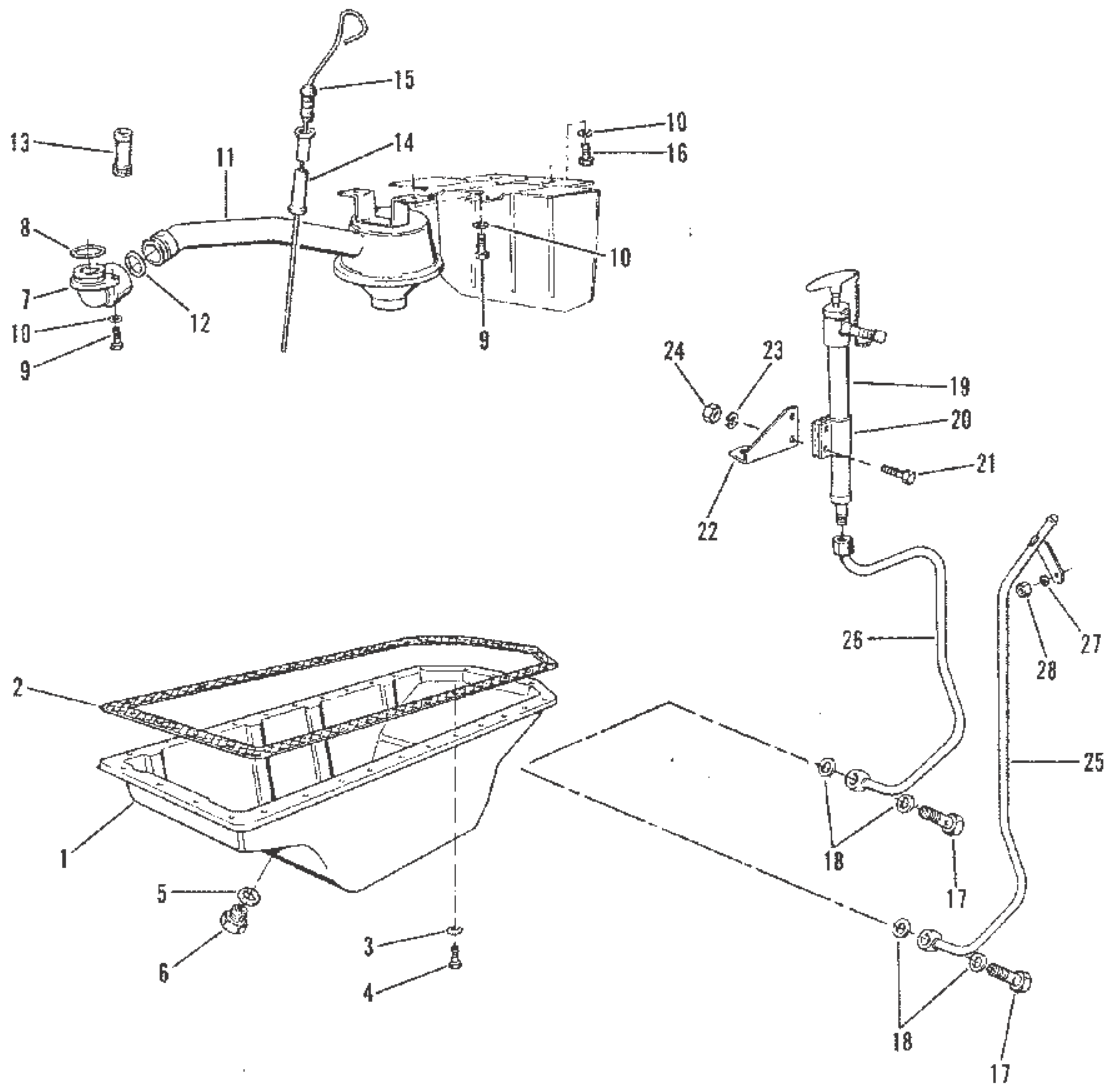
13565

Oil Pan

Ref #	Part Class	Part Number	Description	Comments	Qty	Note
1	0000	801763762	PAN Oil	(Quantities (5 CYL) - 1; (6 CYL) - 0)	AR	
1	0000	801763839	PAN Oil	(Quantities (5 CYL) - 0; (6 CYL) - 1)	AR	
2	0027	801763694	GASKET	(Quantities (5 CYL) - 1; (6 CYL) - 0)	AR	[1]
2	0027	801331613	GASKET Oil Pan	(Quantities (5 CYL) - 0; (6 CYL) - 1)	AR	[2]
3	0012	809931044	WASHER	(Quantities (5 CYL) - 0; (6 CYL) - 1)	AR	
3	0012	809931044	WASHER	(Quantities (5 CYL) - 24; (6 CYL) - 29)	AR	
4	0010	809913410	SCREW	(Quantities (5 CYL) - 24; (6 CYL) - 29)	AR	
4	0010	809913466	SCREW (M6 x 16)	(Quantities (5 CYL) - 0; (6 CYL) - 29)	AR	
5	0012	801763384	WASHER	(Quantities (5 CYL) - 2; (6 CYL) - 2)	AR	
6	0010	809919131	SCREW (M22 x 1.5)	(Quantities (5 CYL) - 2; (6 CYL) - 2)	AR	
7	0000	801333414	ELBOW Oil Suction	(Quantities (5 CYL) - 1; (6 CYL) - 1)	AR	
8	0025	801333415	O-RING	(Quantities (5 CYL) - 1; (6 CYL) - 1)	AR	[3]
9	0010	809913450	SCREW	(Quantities (5 CYL) - 3; (6 CYL) - 3)	AR	
10	0013	809932071	LOCKWASHER	(Quantities (5 CYL) - 5; (6 CYL) - 5)	AR	
11	0000	801763697	SUCTION TUBE	(Quantities (5 CYL) - 1; (6 CYL) - 0)	AR	
11	0000	801763601	TUBE Oil Suction	(Quantities (5 CYL) - 0; (6 CYL) - 1)	AR	
12	0025	801333416	O-RING	(Quantities (5 CYL) - 2; (6 CYL) - 2)	AR	[3]
13	0000	801333417	RELIEF VALVE	(Quantities (5 CYL) - 1; (6 CYL) - 1)	AR	
14	0000	801333425	DIPSTICK TUBE	(Quantities (5 CYL) - 1; (6 CYL) - 1)	AR	
15	0000	801763699	DIPSTICK	(Quantities (5 CYL) - 1; (6 CYL) - 1)	AR	
15	0000	801763600	DIPSTICK	(Quantities (5 CYL) - 1; (6 CYL) - 1)	AR	
16	0010	809913466	SCREW (M6 x 16)	(Quantities (5 CYL) - 2; (6 CYL) - 2)	AR	
17	0010	801117181	BOLT Banjo Old Design	(Quantities (5 CYL) - 1; (6 CYL) - 1)	AR	
18	0012	809963201	WASHER Old Design	(Quantities (5 CYL) - 2; (6 CYL) - 2)	AR	[3]
19	0000	801761921	PUMP Oil Suction	(Quantities (5 CYL) - 1; (6 CYL) - 1)	AR	
20	0054	801763973	CLAMP Old Design	(Quantities (5 CYL) - 1; (6 CYL) - 1)	AR	
21	0010	809913477	SCREW Old Design	(Quantities (5 CYL) - 2; (6 CYL) - 2)	AR	

Oil Pan

Oil Pan



13565

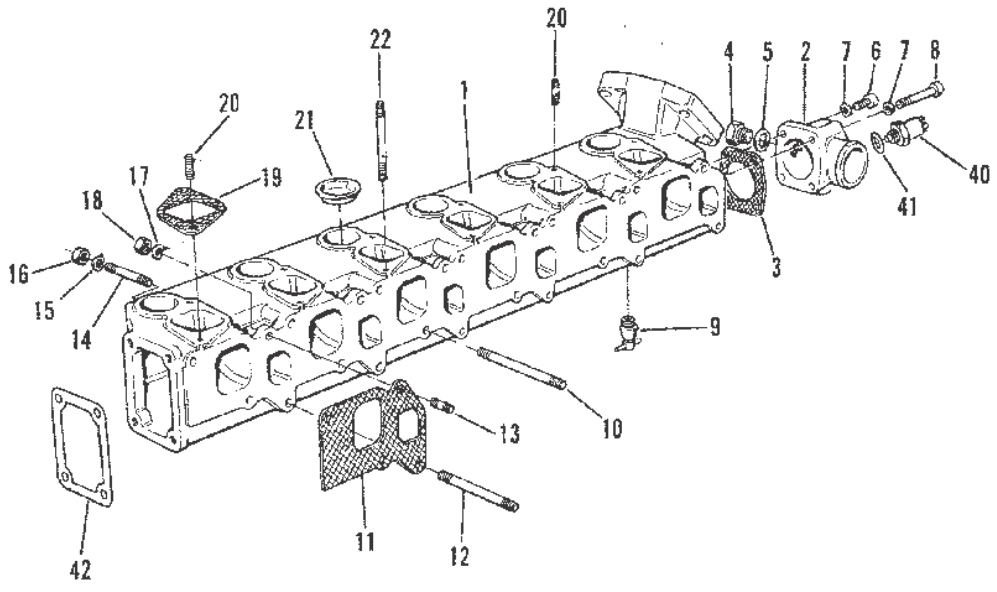
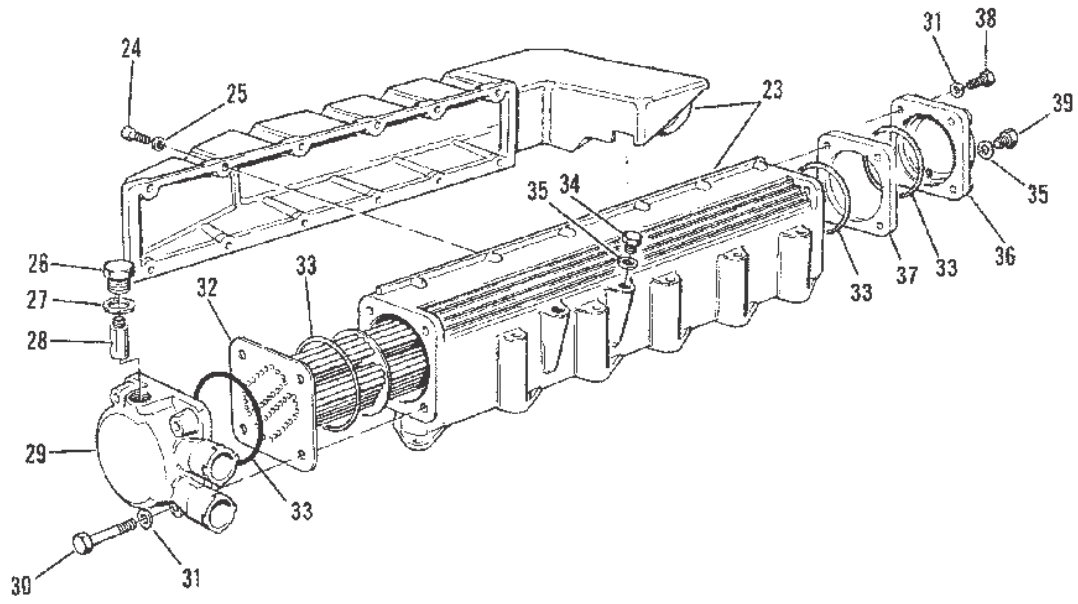
Oil Pan

Ref #	Part Class	Part Number	Description	Comments	Qty	Note
22	0000	801763923	BRACKET Old Design	(Quantities (5 CYL) - 1; (6 CYL) - 1)	AR	
23	0013	809932071	LOCKWASHER Old Design	(Quantities (5 CYL) - 2; (6 CYL) - 2)	AR	
24	0011	809922800	NUT Old Design	(Quantities (5 CYL) - 2; (6 CYL) - 2)	AR	
25	0032	801763840	TUBE Oil Drain	(Quantities (5 CYL) - 1; (6 CYL) - 0)	AR	
25	0032	801763831	TUBE Oil Drain	(Quantities (5 CYL) - 0; (6 CYL) - 1)	AR	
26	0032	801763924	PIPE Oil Drain	(Quantities (5 CYL) - 1; (6 CYL) - 0)	AR	
26	0032	801763960	PIPE Oil Drain	(Quantities (5 CYL) - 0; (6 CYL) - 1)	AR	
27	0012	809931036	WASHER	(Quantities (5 CYL) - 1; (6 CYL) - 1)	AR	
28	0011	809922410	NUT	(Quantities (5 CYL) - 1; (6 CYL) - 1)	AR	
29	0032	805720	TUBE Oil New Design		1	
30	0032	805177	TUBE Oil New Design		1	
31	0054	55098	J CLIP New Design		1	
32	0054	92850	CLAMP Clip, New Design		1	
33	0010	801117181	BOLT Banjo		1	
34	0012	809963201	WASHER		2	
35	0027	822567A1	GASKET SET	(Quantities: (5 CYL) - 1; (6 CYL) - 0)	AR	
36	0027	822570A1	GASKET SET Overhaul	(Quantities: (5 CYL) - 0; (6 CYL) - 1)	AR	

PART NOTES:

- [1] - As Required
- [2] - Contents Of Gasket Set 822567A 1
- [3] - Contents Of Gasket Set 822567A 1
Contents Of Gasket Set 822570A 1

Exhaust Manifold



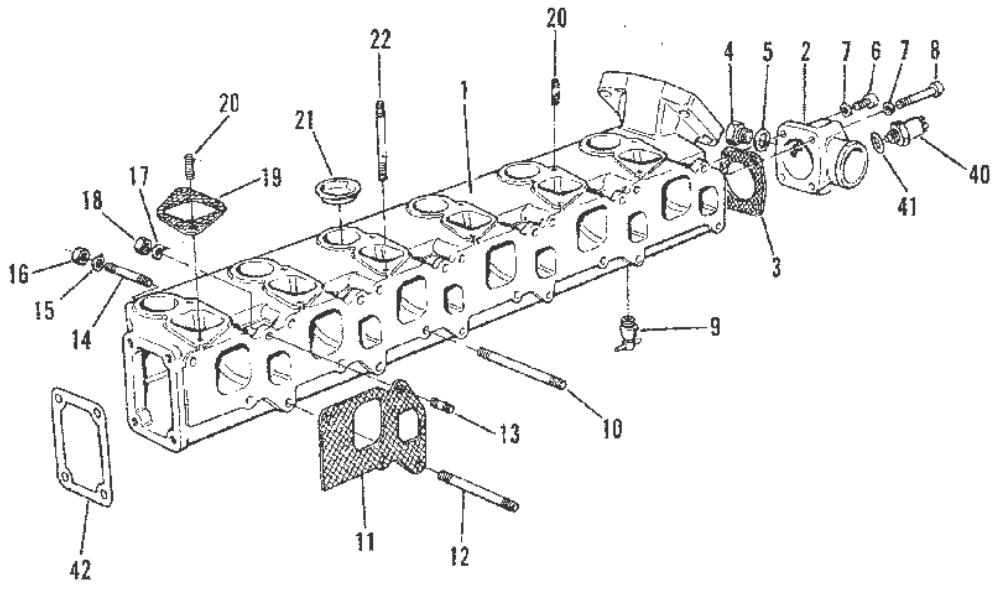
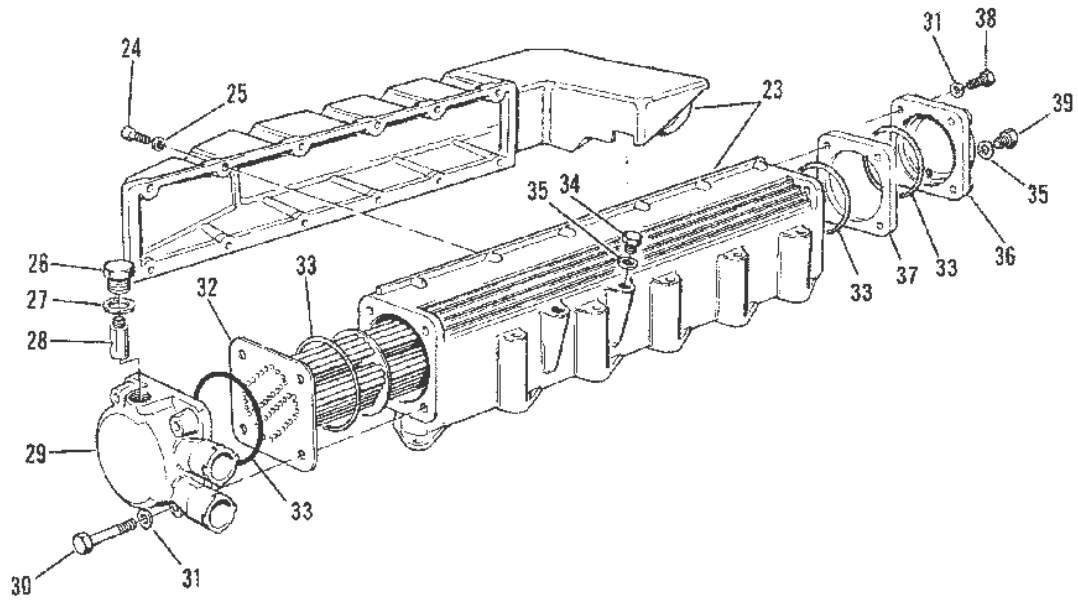
13566

Exhaust Manifold

Ref #	Part Class	Part Number	Description	Comments	Qty	Note
1	0000	801763700	MANIFOLD Exhaust		1	
1	0000	801763438	MANIFOLD Exhaust		1	
2	0000	801763630	COVER		1	
3	0027	801763472	GASKET		1	[1]
4	0010	801763445	SCREW		1	
5	0012	801763384	WASHER		1	
6	0010	809919926	SCREW (M6 x 25)		2	
7	0013	809932071	LOCKWASHER		4	
8	0010	809919961	SCREW		2	
9	0022	801331684	FITTING Drain		1	
10	0016	801761772	STUD		4	
10	0016	801761772	STUD		6	
11	0027	801333449	GASKET	(Quantities (5 CYL) - 5; (6 CYL) - 6)	AR	[2]
12	0016	801333448	STUD (M8 x 140)	(Quantities (5 CYL) - 9; (6 CYL) - 12)	AR	
13	0016	801761038	STUD	(Quantities (5 CYL) - 5; (6 CYL) - 6)	AR	
14	0016	801333451	STUD (M8 x 90)		2	
15	0013	809932095	LOCKWASHER	(Quantities (5 CYL) - 12 (6 CYL) - 20)	AR	
16	0011	809921077	NUT	(Quantities (5 CYL) - 12 (6 CYL) - 20)	AR	
17	0013	809932093	LOCKWASHER	(Quantities (5 CYL) - 18 (6 CYL) - 24)	AR	
18	0011	801333450	NUT	(Quantities (5 CYL) - 18 (6 CYL) - 24)	AR	
19	0027	801333472	GASKET	(Quantities (5 CYL) - 5; (6 CYL) - 6)	AR	[2]
20	0016	801763443	STUD	(Quantities (5 CYL) - 5; (6 CYL) - 6)	AR	
21	0000	801763439	WELCH PLUG		9	
22	0016	801763444	STUD	(Quantities (5 CYL) - 4; (6 CYL) - 5)	AR	
23	0000	801763702	COOLER Air		1	
23	0000	801763457	COOLER Air		1	
24	0010	809919967	SCREW	(6 CYL)	1	
25	0013	809932071	LOCKWASHER	(Quantities (5 CYL) - 10 (6 CYL) - 12)	AR	
26	0000	801763331	PLUG		1	
27	0025	809963308	WASHER Sealing		1	[1]
28	0000	801763780	REACTIVE ANODE		1	
29	0000	801761360	COVER Front		1	
30	0010	809912516	SCREW (M8 x 50)		2	
31	0013	809932095	LOCKWASHER		6	
32	0000	801763705	RADIATOR INSERT		1	
32	0000	801761367	RADIATOR INSERT		1	
33	0025	801763461	O-RING		4	
34	0010	809919217	SCREW		1	

Exhaust Manifold

Exhaust Manifold



13566

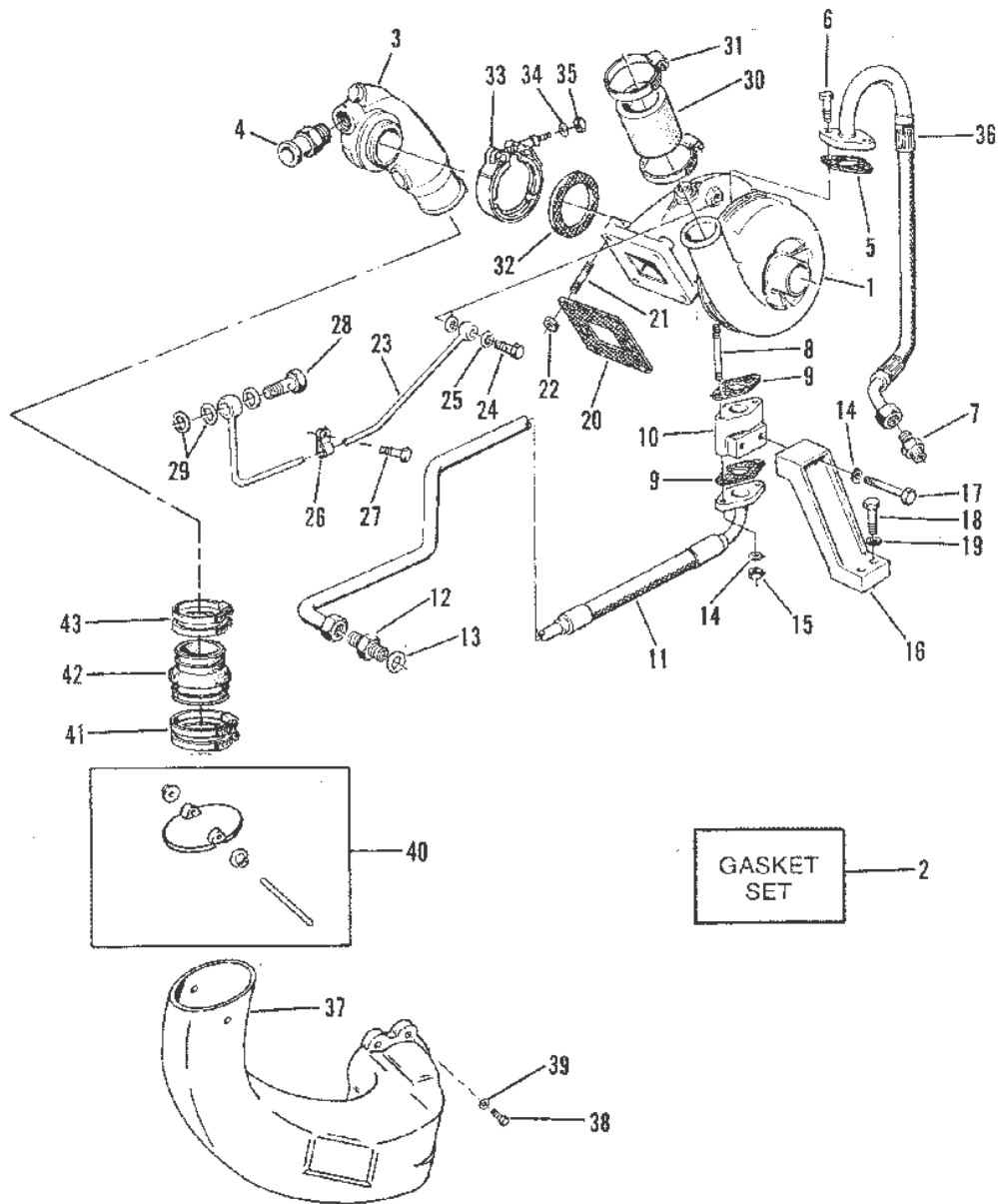
Exhaust Manifold

Ref #	Part Class	Part Number	Description	Comments	Qty	Note
35	0012	809963072	WASHER		2	
36	0000	801763463	COVER Rear		1	
37	0012	801763488	WASHER		1	
38	0010	809913662	SCREW		6	
39	0010	801763459	SCREW		1	
40	0087	814079	SENDER Water Temperature		1	
41	0012	809963201	WASHER		1	[1]
42	0027	801761083	GASKET		1	[1]
-	0027	822567A1	GASKET SET	(5 CYL)	1	
-	0027	822570A1	GASKET SET Overhaul	(6 CYL)	1	
-	0027	801763764	GASKET SET		AR	
-	0027	801331187	GASKET SET Turbocharger		AR	

PART NOTES:

- [1] - Contents Of Gasket Set 822567A 1
 Contents Of Gasket Set822570A 1
- [2] - Contents Of Gasket Set 822567A 1
 Contents Of Gasket Set822570A 1
 Contents Of Gasket Set 801763764
 Contents Of Gasket Set 801763381

Turbo Charger/Exhaust Elbow (Old Design)



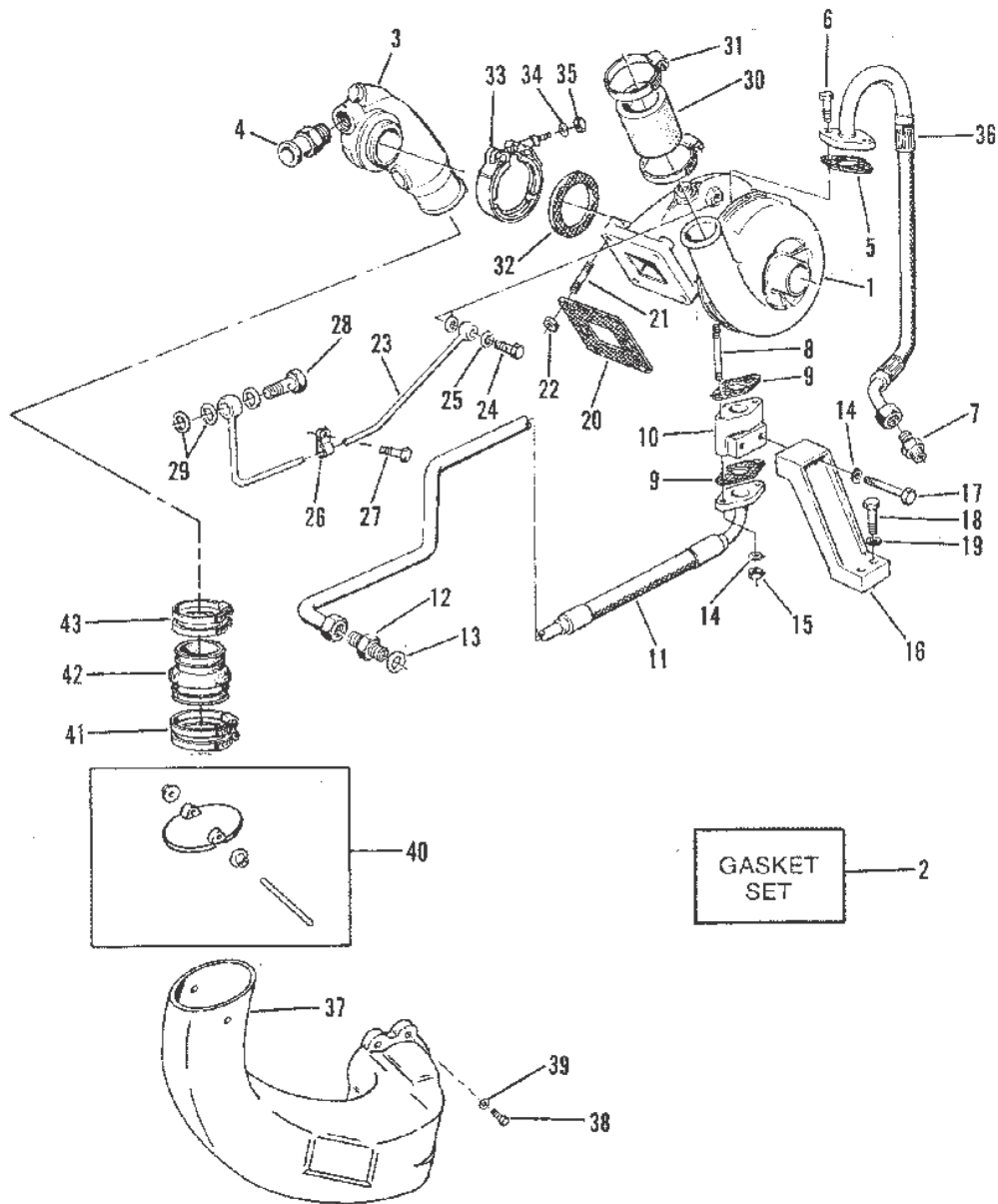
13567

Turbo Charger/Exhaust Elbow (Old Design)

Ref #	Part Class	Part Number	Description	Comments	Qty	Note
1	0000	801763701	TURBO CHARGER	(808715 Repair Kit)	1	
1	0000	801763447	TURBO CHARGER		1	
2	0027	801331187	GASKET SET Turbocharger		1	
3	0000	801763206	PIPE		1	
4	0000	801761273	CONNECTOR		1	
5	0027	801333462	GASKET		1	[1]
6	0010	809913644	SCREW		2	
7	0022	801763389	FITTING		1	
8	0016	801763451	STUD (M8 x 70)		2	
9	0027	801333459	GASKET		2	[2]
10	0023	801763450	HOUSING		1	
11	0032	801763778	PIPE Oil		1	
11	0032	801763456	PIPE Oil		1	
12	0022	801333464	FITTING		1	
13	0012	809963354	WASHER		1	[2]
14	0013	809932095	LOCKWASHER		4	
15	0011	809922087	NUT		2	
16	0000	801763449	BRACKET Turbo Support		1	
17	0010	809912535	SCREW		2	
18	0010	809919669	SCREW		2	
19	0013	809932104	LOCKWASHER		2	
20	0027	801333454	GASKET		1	[2]
21	0016	801333453	STUD (M10 x 30)		4	
22	0011	801763448	NUT		4	
23	0000	801765010	VENT PIPE		1	
23	0000	801765011	VENT PIPE		1	
24	0010	801763353	BOLT Banjo		1	
25	0012	809963072	WASHER		2	
26	0054	801266997	CLAMP		2	
27	0010	809919926	SCREW (M6 x 25)		2	
28	0010	801263264	BOLT Banjo Double		1	
29	0025	809963130	WASHER Sealing		3	
30	0032	801333456	HOSE		1	
31	0054	801333457	CLAMP		2	
32	0027	801331173	GASKET		1	[2]
33	0054	801763272	CLAMP		1	
34	0012	809931036	WASHER		1	
35	0011	809922410	NUT		1	
36	0032	801763455	PIPE Oil		1	
37	0000	18833T	PIPE Exhaust		1	
38	0010	58640	SCREW (.375-16 x 1.25) Stern Drive		4	
39	0013	41471	LOCKWASHER (.375) Stern Drive		4	
40	0000	14348A1	SHUTTER ASSEMBLY Water Stern Drive		1	
41	0054	801763219	CLAMP Stern Drive		2	

Turbo Charger/Exhaust Elbow (Old Design)

Turbo Charger/Exhaust Elbow (Old Design)



13567

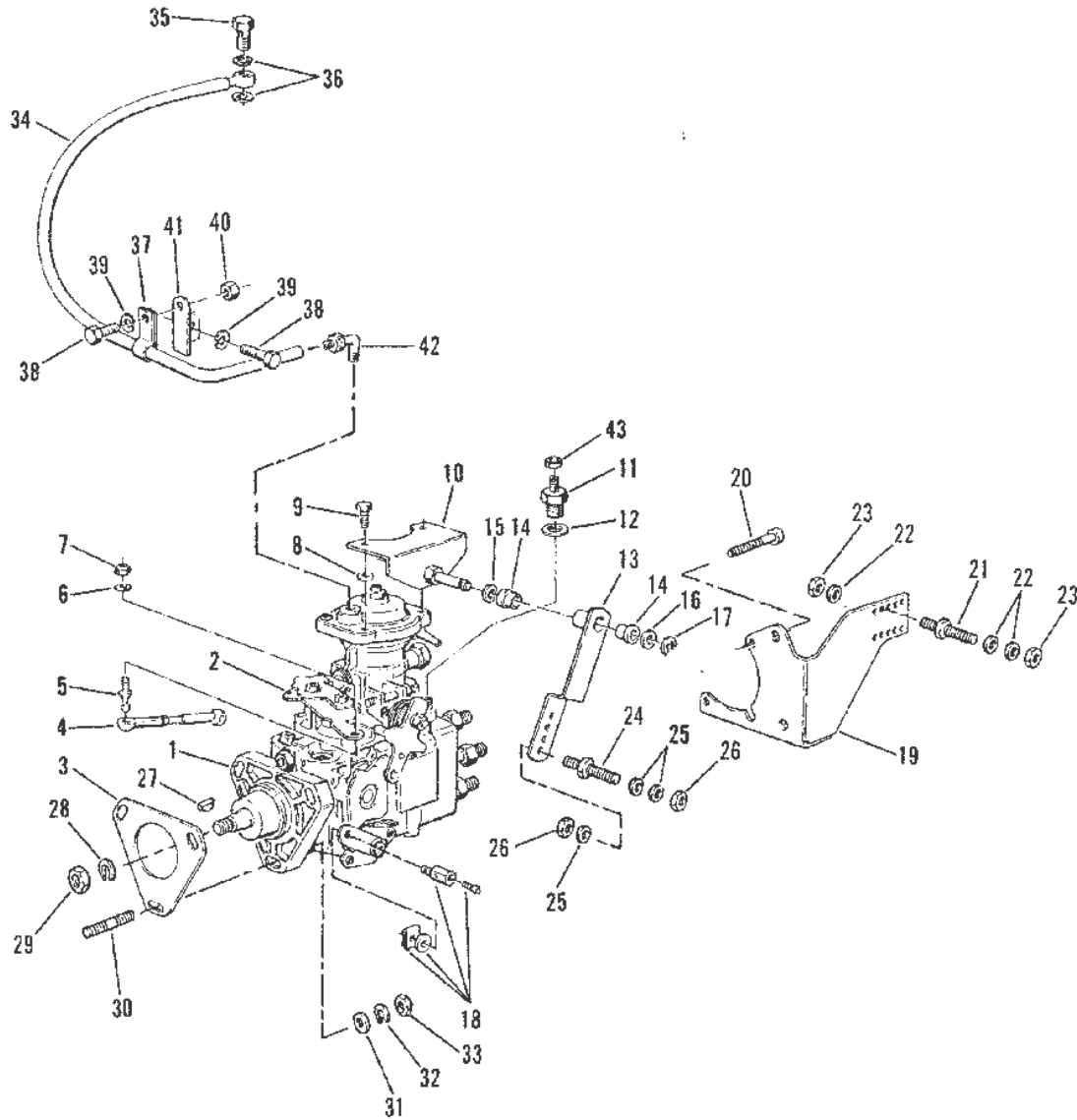
Turbo Charger/Exhaust Elbow (Old Design)

Ref #	Part Class	Part Number	Description	Comments	Qty	Note
42	0032	801763211	HOSE Stern Drive		1	
43	0054	801763218	CLAMP Stern Drive		2	
-	0027	822567A1	GASKET SET	(5 CYL)	1	
-	0027	822570A1	GASKET SET Overhaul	(6 CYL)	1	
-	0027	801331187	GASKET SET Turbocharger		AR	

PART NOTES:

- [1] - Contents Of Gasket Set 822567A 1
Contents Of Gasket Set801331187
Contents Of Gasket Set822570A 1
- [2] - Contents Of Gasket Set 822567A 1
Contents Of Gasket Set822570A 1
Contents Of Gasket Set801331187

Injection Pump



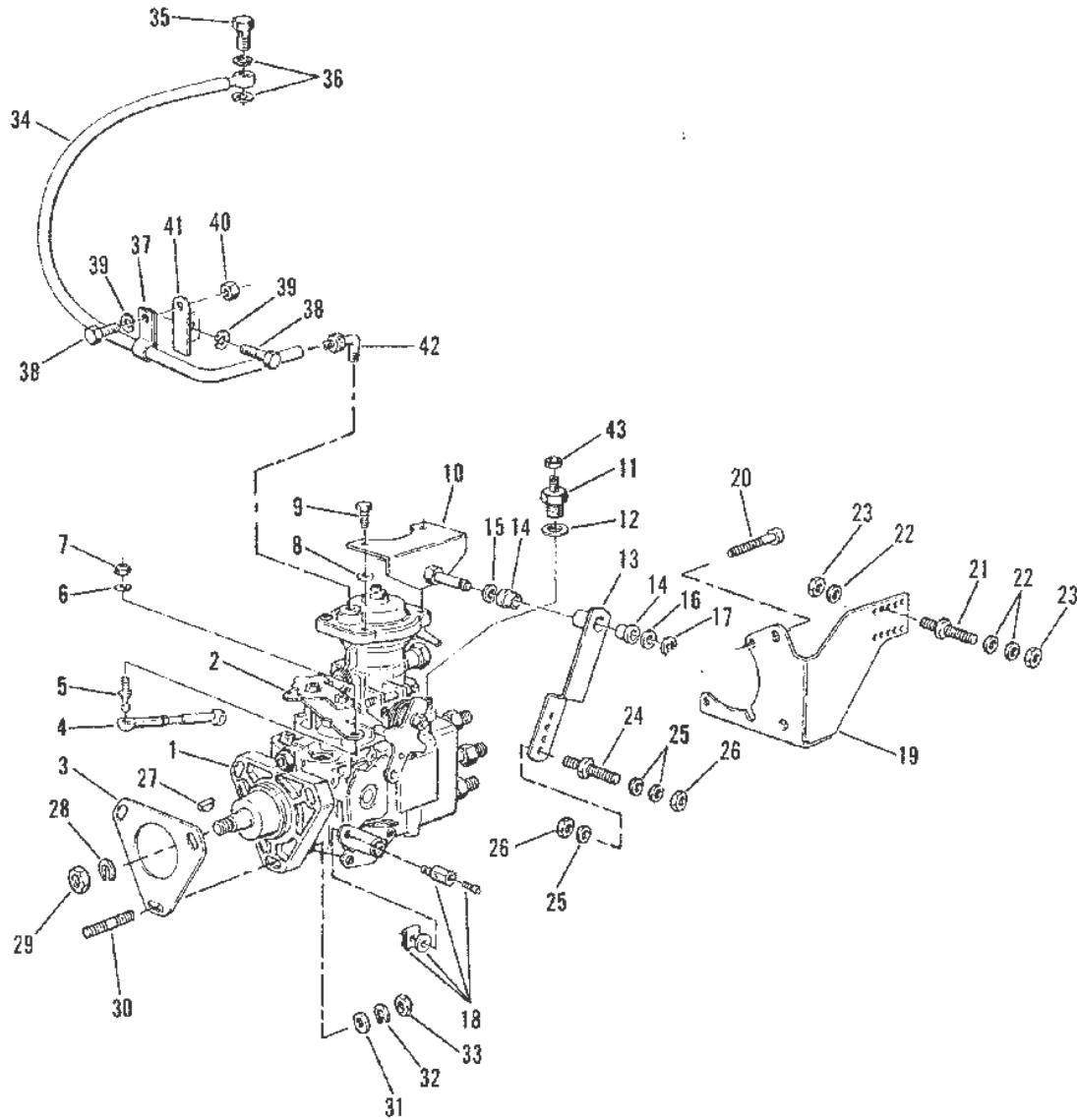
13568

Injection Pump

Ref #	Part Class	Part Number	Description	Comments	Qty	Note
1	0000	801763706	PUMP Injection		1	
1	0000	801763466	PUMP Injection		1	
2	0000	801763618	LEVER		1	
3	0027	801765017	GASKET		1	
4	0000	801333856	ROD KIT Link		1	
5	0017	809987302	PIN		1	
6	0012	809931036	WASHER		1	
7	0011	809922410	NUT		1	
8	0012	809931652	WASHER		2	
9	0010	809913466	SCREW (M6 x 16)		2	
10	0000	801761674	BEARING Angle		1	
11	0000	801763585	VALVE Fuel Shut Off		1	
12	0025	801761168	O-RING		1	[1]
13	0000	801763525	LEVER		1	
14	0023	801256320	BUSHING		2	
15	0013	809932095	LOCKWASHER		1	
16	0013	809932646	LOCKWASHER		1	
17	0053	809932852	E CLIP		1	
18	0000	801761662	CLAMPING SET		1	
19	0000	801763441	ANGLE Support		1	
20	0010	801761847	SCREW		2	
21	0016	38525	STUD		1	
22	0012	24664	WASHER (M4 x 20)		3	
23	0011	35888	NUT (.250-28) Stainless Steel		2	
24	0016	96112	STUD (.250-28 x 2.00) Throttle Cable Anchor		1	
25	0012	24664	WASHER (M4 x 20)		3	
26	0011	35888	NUT (.250-28) Stainless Steel		2	
27	0028	801331225	KEY		1	
28	0013	809933127	LOCKWASHER		1	
29	0011	809922133	NUT		1	
30	0016	801333870	STUD		3	
31	0012	801333871	WASHER		3	
32	0013	809930840	LOCKWASHER		3	
33	0011	801331756	NUT		3	
34	0032	801763467	TUBE Boost Pressure		1	
35	0010	801333874	SCREW Banjo (M10)		1	
36	0012	809963072	WASHER		2	[1]
37	0054	801761758	CLAMP		1	
38	0010	809913218	SCREW (M5 x 10)		2	
39	0013	809932047	LOCKWASHER		2	
40	0011	809922038	NUT		1	
41	0000	801761757	SUPPORT		1	
42	0022	801333873	CONNECTOR		1	
43	0011	809922038	NUT		1	

Injection Pump

Injection Pump



13568

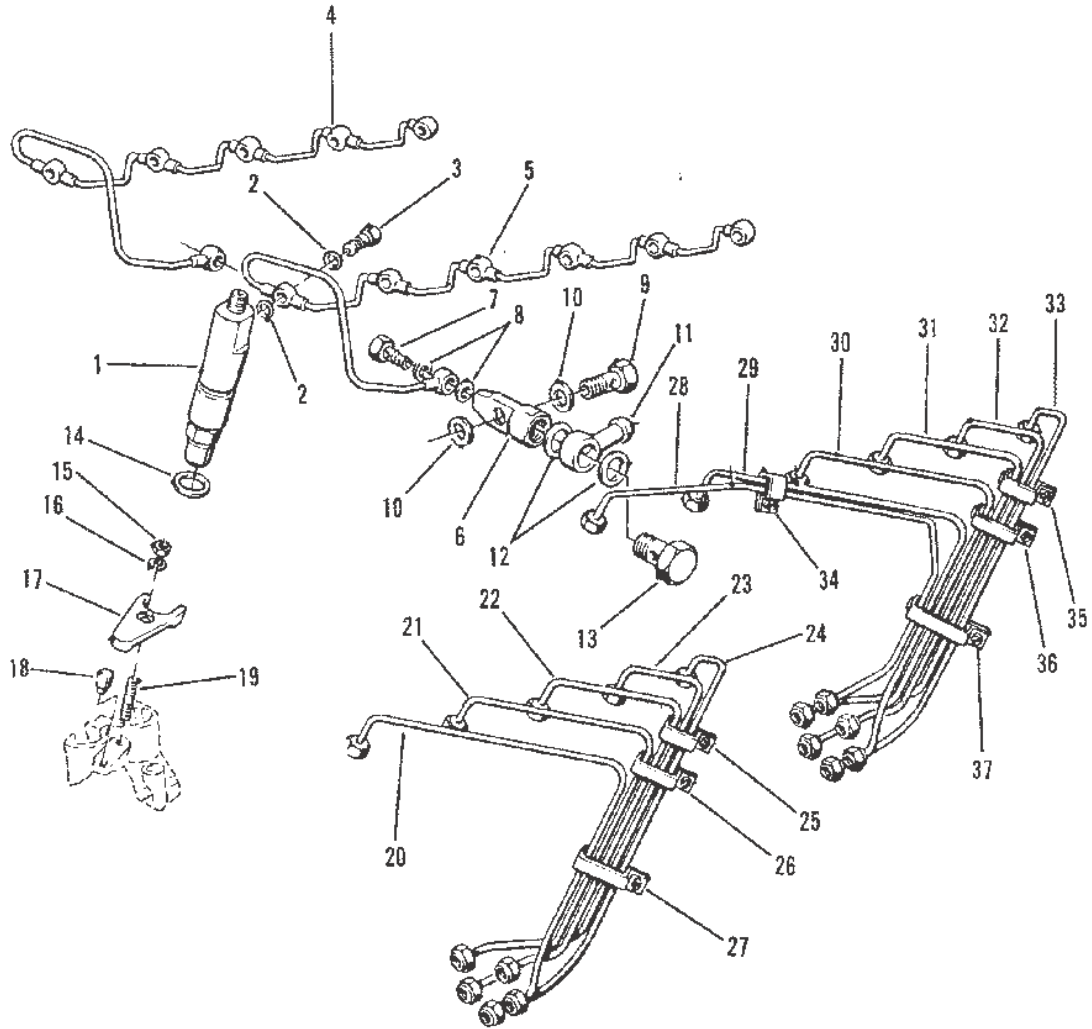
Cat.# 90-81361493

Injection Pump

PART NOTES:

- [1] - Contents Of Gasket Set 822567A 1
Contents Of Gasket Set822570A 1

Injection Nozzle/Lines



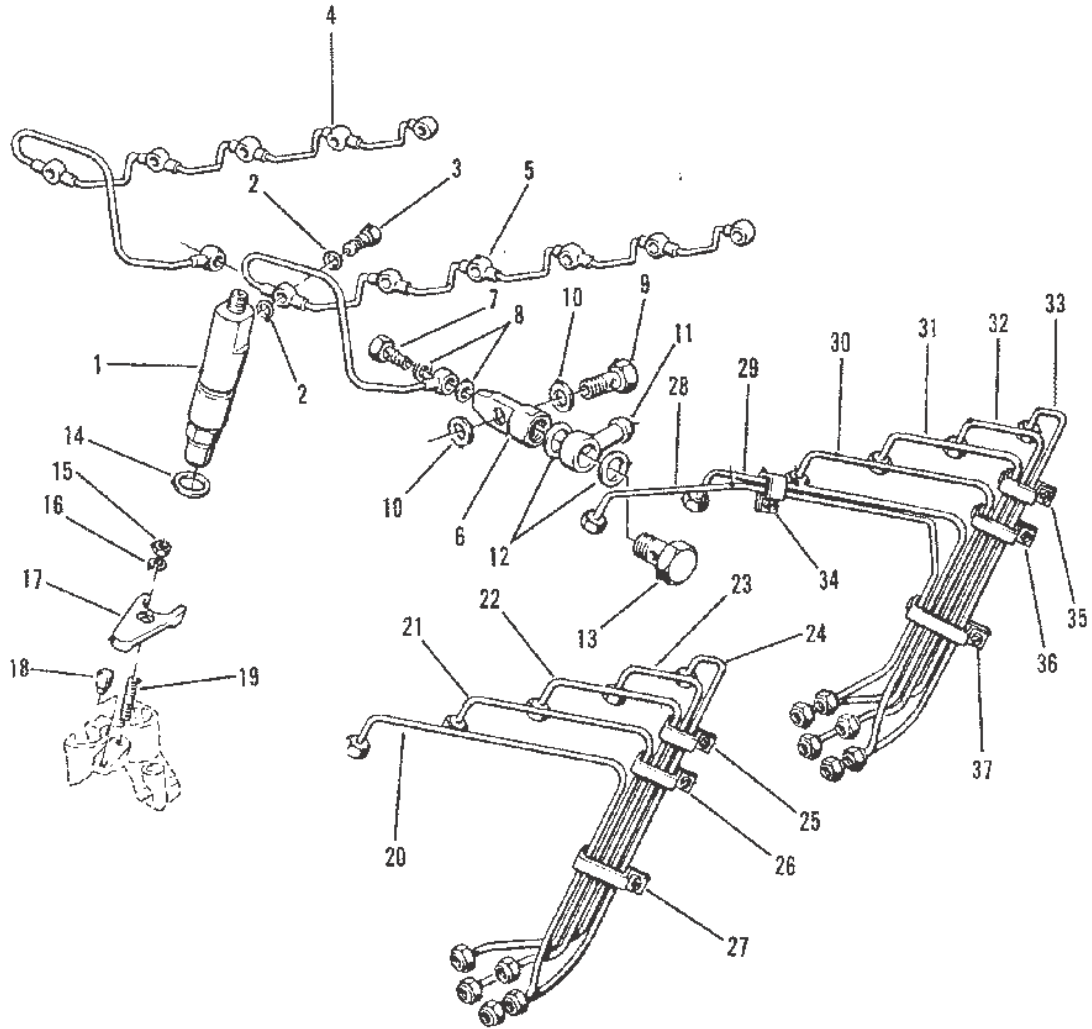
13569

Injection Nozzle/Lines

Ref #	Part Class	Part Number	Description	Comments	Qty	Note
1	0000	801331226	INJECTION NOZZLE	(Quantities: (5 CYL) - 5; (6 CYL) - 6)	AR	
2	0025	809963034	WASHER Sealing	(Quantities: (5 CYL) - 10 (6 CYL) - 12)	AR	[1]
3	0010	801331233	BOLT Banjo	(Quantities: (5 CYL) - 5; (6 CYL) - 6)	AR	
4	0032	801763718	RETURN PIPE	(Quantities: (5 CYL) - 1; (6 CYL) - -)	AR	
5	0032	801331240	RETURN PIPE	(Quantities: (5 CYL) - -; (6 CYL) - 1)	AR	
6	0000	801761163	CONNECTOR Return	(Quantities: (5 CYL) - 1 (6 CYL) - 1)	AR	
7	0010	801761165	BOLT Banjo (M8 x 1.00)	(Quantities: (5 CYL) - 1 (6 CYL) - 1)	AR	
8	0025	809963042	O-RING	(Quantities: (5 CYL) - 2 (6 CYL) - 2)	AR	[2]
9	0010	801335566	SCREW Vent	(Quantities: (5 CYL) - 1 (6 CYL) - 1)	AR	
10	0025	809963129	WASHER	(Quantities: (5 CYL) - 2 (6 CYL) - 2)	AR	[2]
11	0000	801761169	RING PIECE	(Quantities: (5 CYL) - 1 (6 CYL) - 1)	AR	
12	0012	809963201	WASHER	(Quantities: (5 CYL) - 2 (6 CYL) - 2)	AR	[2]
13	0010	801269852	BOLT Banjo	(Quantities: (5 CYL) - 1 (6 CYL) - 1)	AR	
14	0012	801331234	WASHER	(Quantities: (5 CYL) - 5; (6 CYL) - 6)	AR	[3]
15	0011	809922087	NUT	(Quantities: (5 CYL) - 5; (6 CYL) - 6)	AR	
16	0013	809930840	LOCKWASHER	(Quantities: (5 CYL) - 5; (6 CYL) - 6)	AR	
17	0000	801331236	CLAMP Injection Nozzle Hold Down	(Quantities: (5 CYL) - 5; (6 CYL) - 6)	AR	
18	0023	801331235	SPACER	(Quantities: (5 CYL) - 5; (6 CYL) - 6)	AR	
19	0016	801333875	STUD	(Quantities: (5 CYL) - 5; (6 CYL) - 6)	AR	
20	0032	801763709	PRESSURE PIPE Cylinder 1	(Quantities: (5 CYL) - 1; (6 CYL) - 0)	AR	
21	0032	801763710	PRESSURE PIPE Cylinder 2	(Quantities: (5 CYL) - 1; (6 CYL) - 0)	AR	
22	0032	801763711	PRESSURE PIPE Cylinder 3	(Quantities: (5 CYL) - 1; (6 CYL) - 0)	AR	
23	0032	801763712	PRESSURE PIPE Cylinder 4	(Quantities: (5 CYL) - 1; (6 CYL) - 0)	AR	
24	0032	801763713	PRESSURE PIPE Cylinder 5	(Quantities: (5 CYL) - 1; (6 CYL) - -)	AR	
25	0054	801763717	CLAMP	(Quantities: (5 CYL) - 1; (6 CYL) - -)	AR	
26	0054	801763716	CLAMP	(Quantities: (5 CYL) - 1; (6 CYL) - -)	AR	
27	0054	801763714	CLAMP	(Quantities: (5 CYL) - 2; (6 CYL) - -)	AR	

Injection Nozzle/Lines

Injection Nozzle/Lines



13569

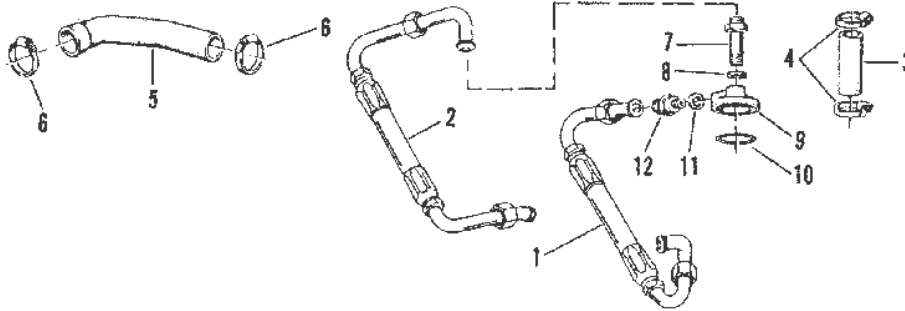
Injection Nozzle/Lines

Ref #	Part Class	Part Number	Description	Comments	Qty	Note
28	0032	801331242	PRESSURE PIPE Cylinder 1	(Quantities: (5 CYL) - -; (6 CYL) - 1)	AR	
29	0012	801331234	WASHER Cylinder 2	(Quantities: (5 CYL) - -; (6 CYL) - 1)	AR	
30	0032	801331244	PRESSURE PIPE Cylinder 3	(Quantities: (5 CYL) - -; (6 CYL) - 1)	AR	
31	0032	801331245	PRESSURE PIPE Cylinder 4	(Quantities: (5 CYL) - -; (6 CYL) - 1)	AR	
32	0032	801331246	PRESSURE PIPE Cylinder 5	(Quantities: (5 CYL) - -; (6 CYL) - 1)	AR	
33	0032	801331247	PRESSURE PIPE Cylinder 6	(Quantities: (5 CYL) - 0; (6 CYL) - 1)	AR	
34	0054	801331248	CLAMP	(Quantities: (5 CYL) - -; (6 CYL) - 1)	AR	
35	0054	801331249	CLAMP	(Quantities: (5 CYL) - -; (6 CYL) - 1)	AR	
36	0027	822567A1	GASKET SET	(Quantities: (5 CYL) - 1; (6 CYL) - 0)	AR	
37	0027	822570A1	GASKET SET Overhaul	(Quantities: (5 CYL) - 0 (6 CYL) - 1)	AR	
38	0027	801763764	GASKET SET		AR	
39	0027	801763381	GASKET SET Cylinder Head		AR	
40	0027	801331187	GASKET SET Turbocharger		AR	

PART NOTES:

- [1] - Contents Of Gasket Set 822567A 1
 Contents Of Gasket Set 801763764
 Contents Of Gasket Set822570A 1
 Contents Of Gasket Set 801763381
- [2] - Contents Of Gasket Set 822567A 1
 Contents Of Gasket Set822570A 1
- [3] - Contents Of Gasket Set 822567A 1
 Contents Of Gasket Set822570A 1
 Contents Of Gasket Set 801763764
 Contents Of Gasket Set 801763381

Oil Lines (5 CYL)



13570

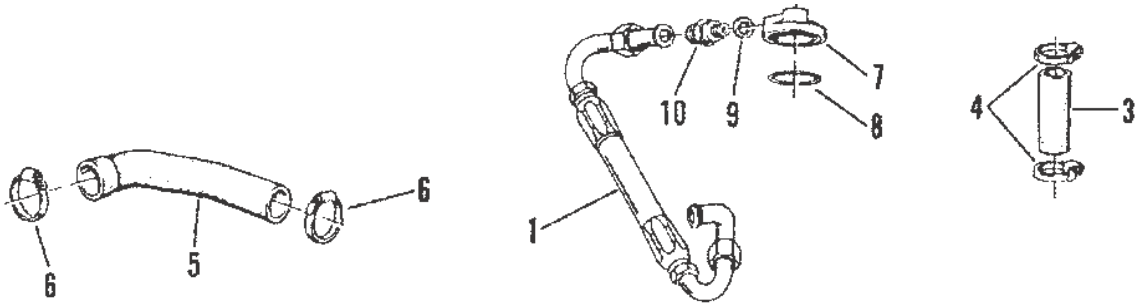
Oil Lines (5 CYL)

Ref #	Part Class	Part Number	Description	Comments	Qty	Note
1	0032	801763340	PIPE		1	
2	0032	801763339	PIPE		1	
3	0032	801331161	HOSE		1	
4	0054	801326523	CLAMP		2	
5	0032	801763295	HOSE		1	
6	0054	801328048	CLAMP		2	
7	0010	801331151	BOLT Banjo		1	
8	0000	809963355	WASHER		1	[1]
9	0000	801331148	COVER		1	
10	0025	801331195	O-RING		1	[1]
11	0025	809963342	O-RING		1	[2]
12	0022	809964543	CONNECTOR		1	
13	0027	822567A1	GASKET SET	(Quantities: (5 CYL) - 1; (6 CYL) - 0)	AR	
14	0027	801331187	GASKET SET Turbocharger		AR	

PART NOTES:

- [1] - Contents Of Gasket Set 822567A 1
 [2] - Contents Of Gasket Set 801331187

Oil Lines (6 CYL)



13571

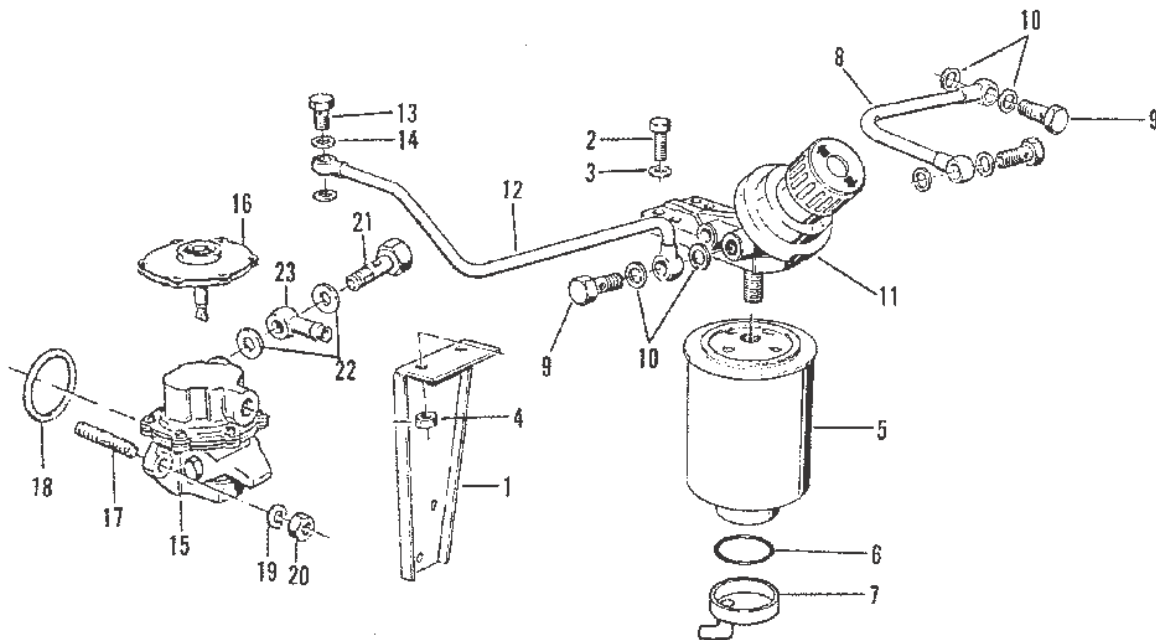
Oil Lines (6 CYL)

Ref #	Part Class	Part Number	Description	Comments	Qty	Note
1	0032	801763340	PIPE		1	
3	0032	801331161	HOSE		1	
4	0054	801326523	CLAMP		2	
5	0032	801763295	HOSE		1	
6	0054	801328048	CLAMP		2	
7	0000	801331148	COVER		1	
8	0027	801331198	O-RING		1	[1]
9	0025	809963342	O-RING		1	[2]
10	0022	809964543	CONNECTOR		1	
11	0027	822570A1	GASKET SET Overhaul	(Quantities: (5 CYL) - 0; (6 CYL) - 1)	AR	
12	0027	801331187	GASKET SET Turbocharger		AR	
13	0010	801331151	BOLT Banjo		AR	
14	0000	809963355	WASHER		AR	

PART NOTES:

- [1] - Contents Of Gasket Set822570A 1
 [2] - Contents Of Gasket Set801331187

Fuel Filter



13572

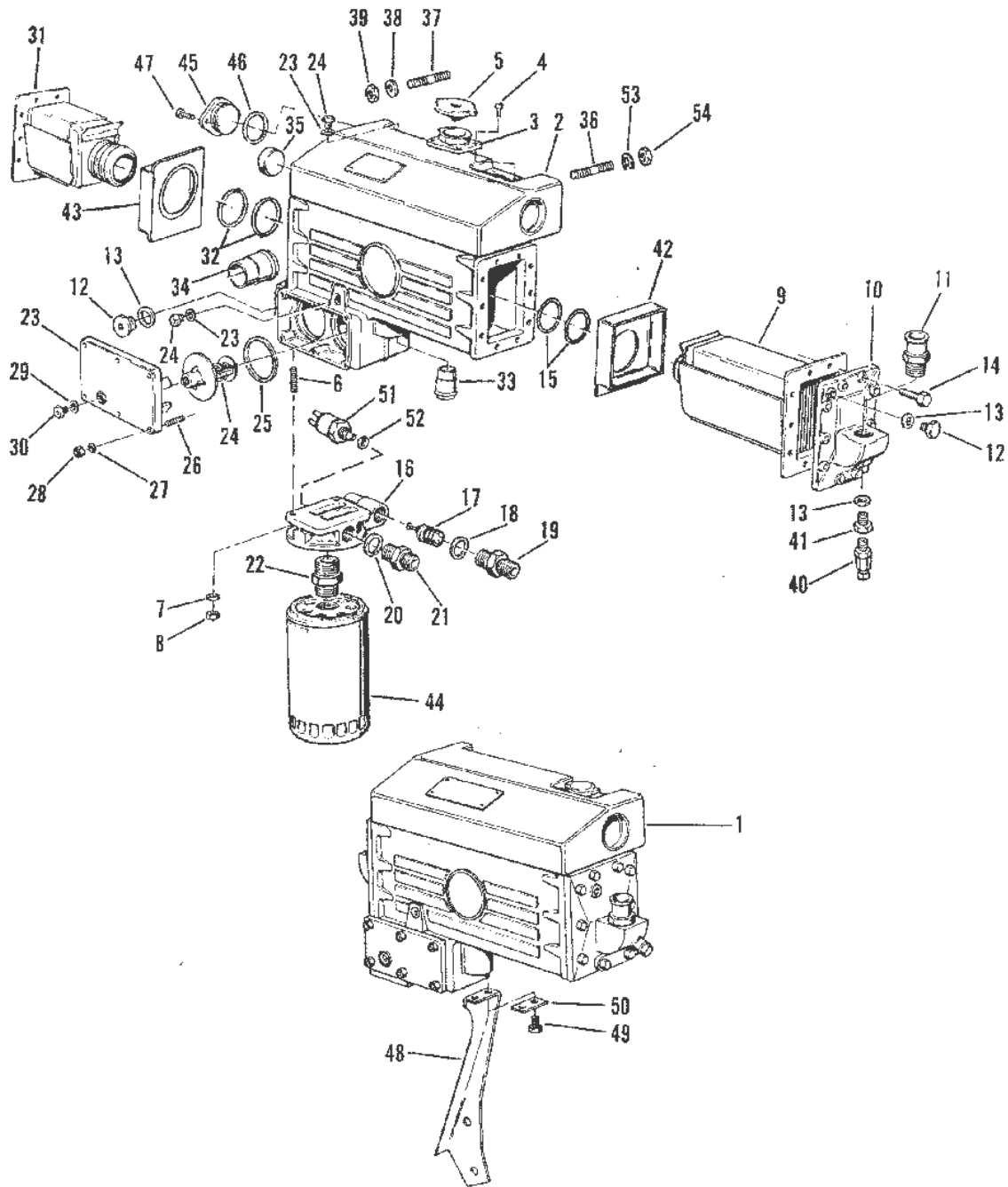
Fuel Filter

Ref #	Part Class	Part Number	Description	Comments	Qty	Note
1	0000	801763598	BRACKET		1	
2	0010	809919669	SCREW		2	
3	0013	809931076	LOCKWASHER		2	
4	0011	809922113	NUT		2	
5	0035	801761373	FILTER Fuel		1	
6	0025	801288696	O-RING		1	
7	0000	801285906	CAP Drain		1	
8	0032	801763809	PIPE		1	
9	0010	801117181	BOLT Banjo		3	
10	0012	809963201	WASHER		6	[1]
11	0000	801763271	PUMP Primer		1	
12	0032	801763210	PIPE		1	
13	0010	801119240	BOLT Banjo		1	
14	0025	809963129	WASHER		2	[1]
15	0000	801331218	PUMP Fuel		1	
16	0000	801333865	DIAPHRAGM		1	
17	0016	801333866	STUD		2	
18	0025	801331219	O-RING		1	
19	0013	809932095	LOCKWASHER		2	
20	0011	809922087	NUT		2	
21	0010	801761170	BOLT Banjo			
22	0012	809963201	WASHER		2	
23	0000	801763843	FITTING		1	
24	0027	822567A1	GASKET SET	(Quantities: (5 CYL) - 1; (6 CYL) - 0)	AR	
25	0027	822570A1	GASKET SET Overhaul	(Quantities: (5 CYL) - 0; (6 CYL) - 1)	AR	
26	0000	805112	PUMP Primer		1	

PART NOTES:

- [1] - Contents Of Gasket Set 822567A 1
 Contents Of Gasket Set822570A 1

Cooling Water Tank



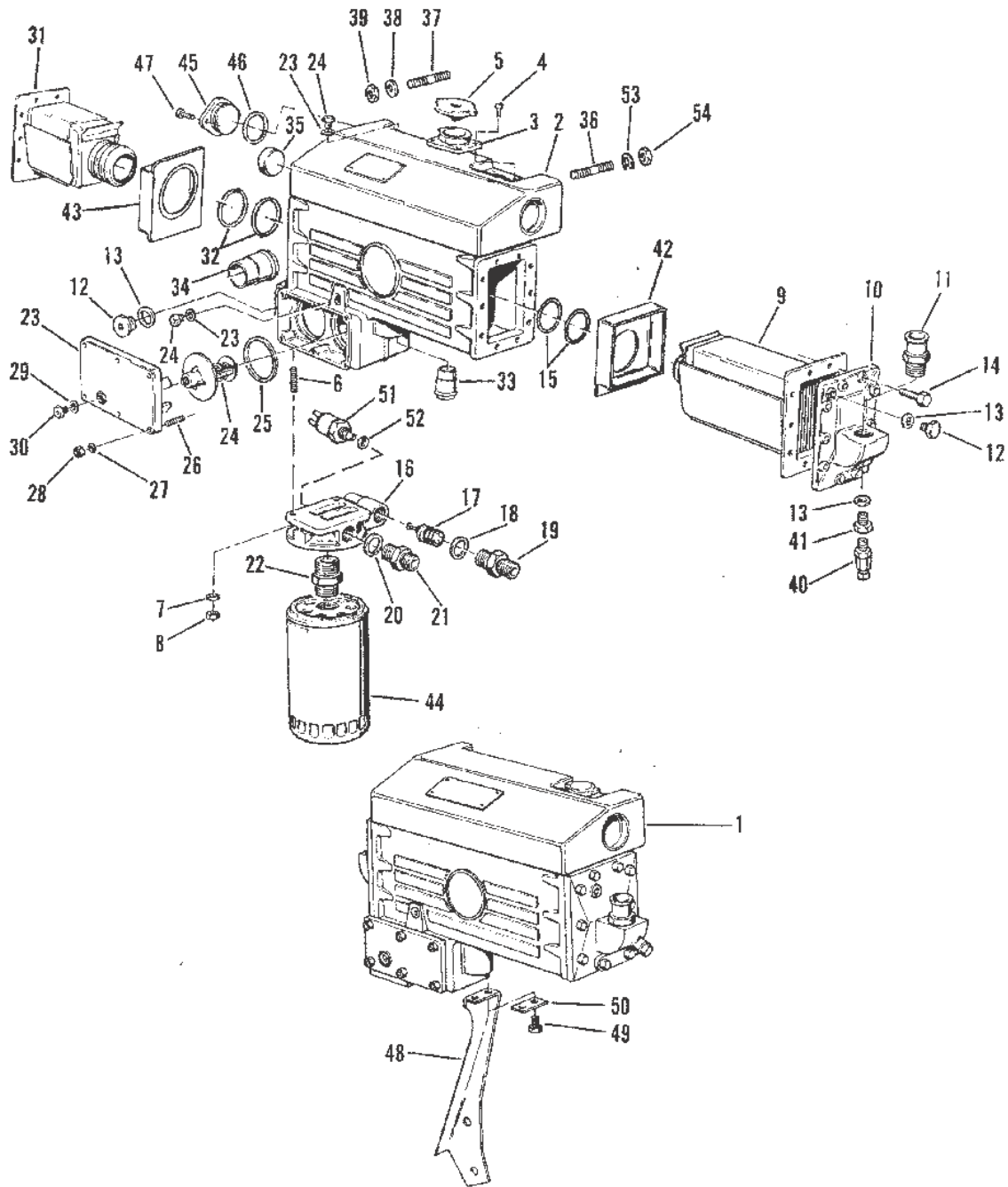
13573

Cooling Water Tank

Ref #	Part Class	Part Number	Description	Comments	Qty	Note
1	0000	804238139	TANK Cooling Water		1	
2	0000	804238138	TANK Water		1	
3	0000	812658	FILLER NECK		1	
4	0010	809919712	SCREW		4	
5	0036	13130	CAP Pressure		1	
6	0016	809908132	STUD		4	
7	0013	809932095	LOCKWASHER		4	
8	0011	400213	NUT (M8) Stainless Steel		4	
9	0000	801761076	INSERT		1	
10	0000	801761884	COVER		2	
11	0000	801761273	CONNECTOR		2	
12	0019	801763264	PLUG		2	
13	0012	809963201	WASHER		2	
14	0010	809913657	SCREW (M8 x 25)		20	
15	0025	801331190	O-RING		2	[1]
16	0000	801763336	HEAD Oil Filter		1	
16	0000	815838A1	HEAD ASSEMBLY Oil Filter	(On 6 CYL Engines(New Design) -801763336)	1	
17	0000	801331165	REGULATOR Oil Temperature		1	
18	0000	809963467	SEAL		1	[1]
19	0022	801331152	CONNECTOR		1	
20	0000	809963355	WASHER		1	[1]
21	0022	809964543	CONNECTOR		1	
21	0022	814374	CONNECTOR	(On 6 CYL Engines (New Design) -22 809964543)	1	
22	0022	801331137	FITTING		1	
23	0000	801331150	THERMOSTAT COVER		1	
24	0000	801326809	THERMOSTAT		2	
25	0027	801250399	GASKET		2	
26	0016	809908111	STUD		6	
27	0013	809932071	LOCKWASHER		6	
28	0011	809922800	NUT		6	
29	0025	809963200	O-RING		3	
30	0010	809919114	PLUG		3	
31	0000	801761077	INSERT		1	
32	0025	801331189	O-RING		2	[1]
33	0022	801326732	CONNECTOR		1	
34	0000	801761171	ADAPTOR		1	
35	0019	809937332	PLUG		2	
36	0016	809908147	STUD		3	
37	0016	809909067	STUD		4	
38	0013	809932095	LOCKWASHER		4	
39	0011	809922087	NUT		4	
40	0000	801763335	DRAIN COCK		2	
41	0022	801763221	REDUCER		2	
42	0026	815172	SEAL		1	

Cooling Water Tank

Cooling Water Tank



13573

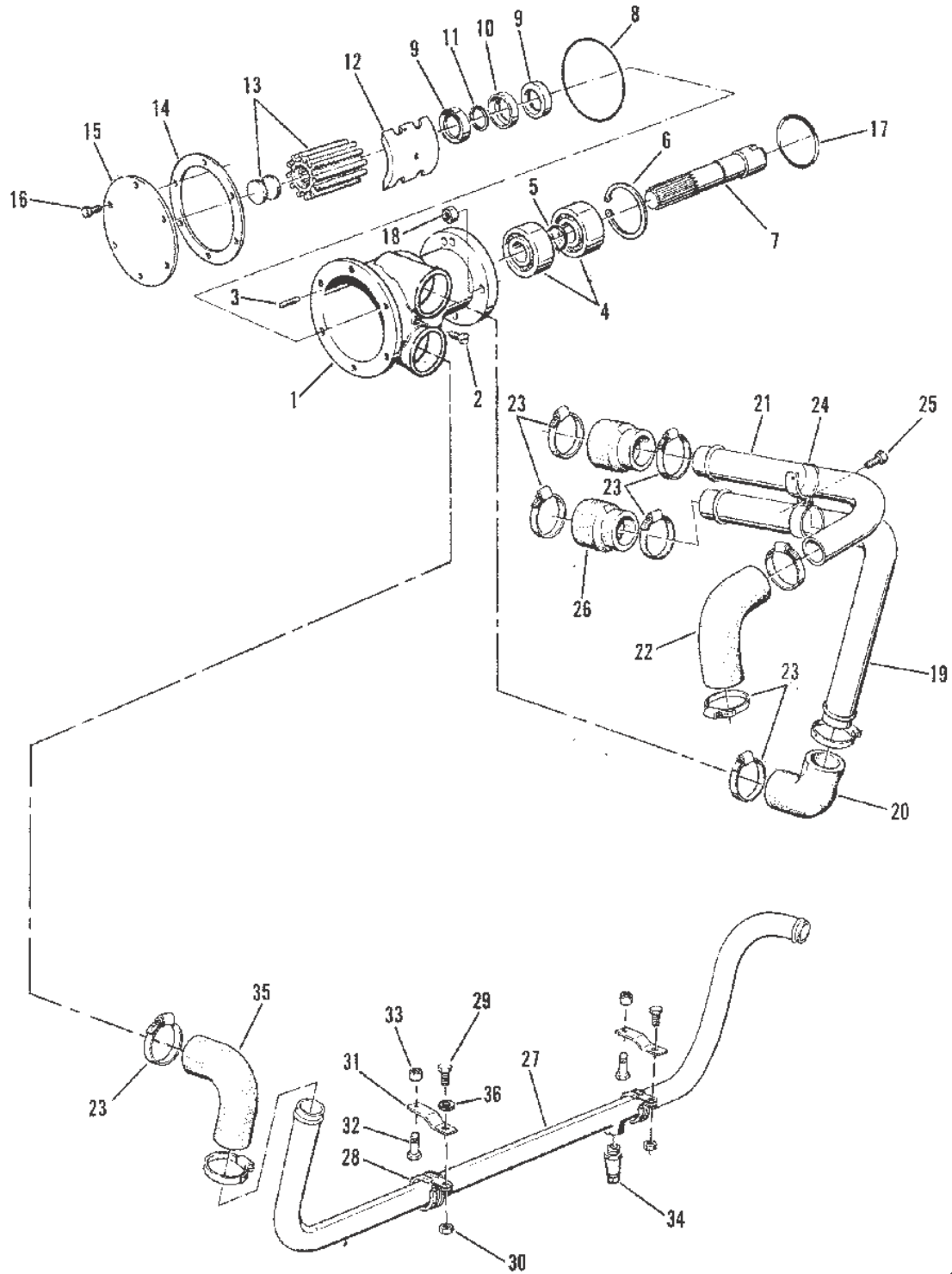
Cooling Water Tank

Ref #	Part Class	Part Number	Description	Comments	Qty	Note
43	0026	815173	SEAL		1	
44	0035	19485	FILTER		1	
45	0000	801763299	COVER		1	
46	0025	801763303	O-RING		1	[1]
47	0010	809900816	SCREW		2	
48	0000	801763980	BRACE		1	
49	0010	809919978	SCREW		2	
50	0015	801763277	SHIM		1	
51	0087	814078	SENDER Oil Temperature		1	
52	0012	809963201	WASHER		1	[1]
53	0012	809931067	WASHER		3	
54	0011	809922087	NUT		3	
55	0000	801763982	PLATE Inboard		1	
56	0010	809919821	SCREW Inboard		2	
57	0012	809931682	WASHER Inboard		2	
58	0027	822567A1	GASKET SET	(Quantities: (5 CYL) - 1; (6 CYL) - 0)	AR	
59	0027	822570A1	GASKET SET Overhaul	(Quantities: (5 CYL) - 0; (6 CYL) - 1)	AR	

PART NOTES:

- [1] - Contents Of Gasket Set 822567A 1
 Contents Of Gasket Set822570A 1

Seawater Pump (Stern Drive)

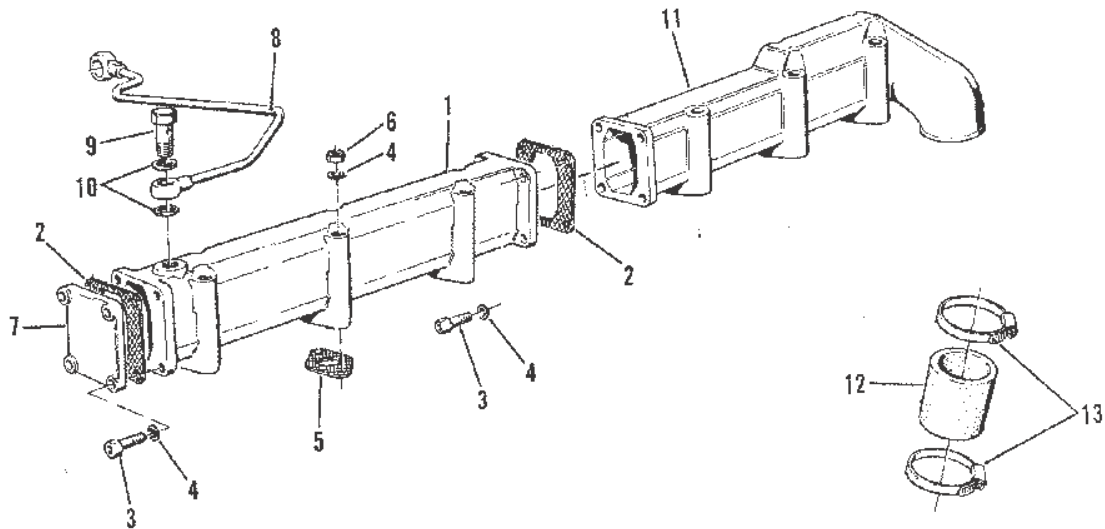


13574

Seawater Pump (Stern Drive)

Ref #	Part Class	Part Number	Description	Comments	Qty	Note
1	0000	814874	PUMP ASSEMBLY Seawater		1	
2	0010	801332604	SCREW		1	
3	0017	801332620	PIN		1	
4	0030	801332597	BEARING Ball		2	
5	0023	801332596	SPACER		1	
6	0053	801332595	RING Snap Retaining		1	
7	0045	801332593	SHAFT		1	
8	0012	801332601	WEAR PLATE		1	
9	0026	801332600	SEAL		2	
10	0000	801332599	SPREADER		1	
11	0025	801332598	O-RING		1	
12	0000	814873	CAM		1	
13	0047	801332602	IMPELLER		1	
14	0027	801332606	GASKET		1	
15	0000	801332607	COVER		1	
16	0010	801332608	SCREW		6	
17	0025	801333850	O-RING		1	
18	0011	809922800	NUT		4	
19	0032	801761119	PIPE Seawater		1	
20	0032	801763996	PIPE Seawater		1	
21	0000	801761124	PIPE Seawater		1	
22	0032	801761125	HOSE		1	
23	0054	801326639	CLAMP		10	
24	0054	801761122	CLAMP		2	
25	0010	809915039	SCREW		1	
26	0000	801761121	NOZZLE		2	
27	0032	801763810	PIPE Seawater		1	
28	0054	801331113	CLAMP		2	
29	0010	809913624	SCREW		2	
30	0011	809922087	NUT		2	
31	0000	801761589	BRACKET		2	
32	0010	809913483	SCREW		2	
33	0023	801763599	SPACER		2	
34	0000	801763335	DRAIN COCK		1	
35	0032	801763997	HOSE		1	
36	0012	809931067	WASHER		2	

Manifold Strip



13575

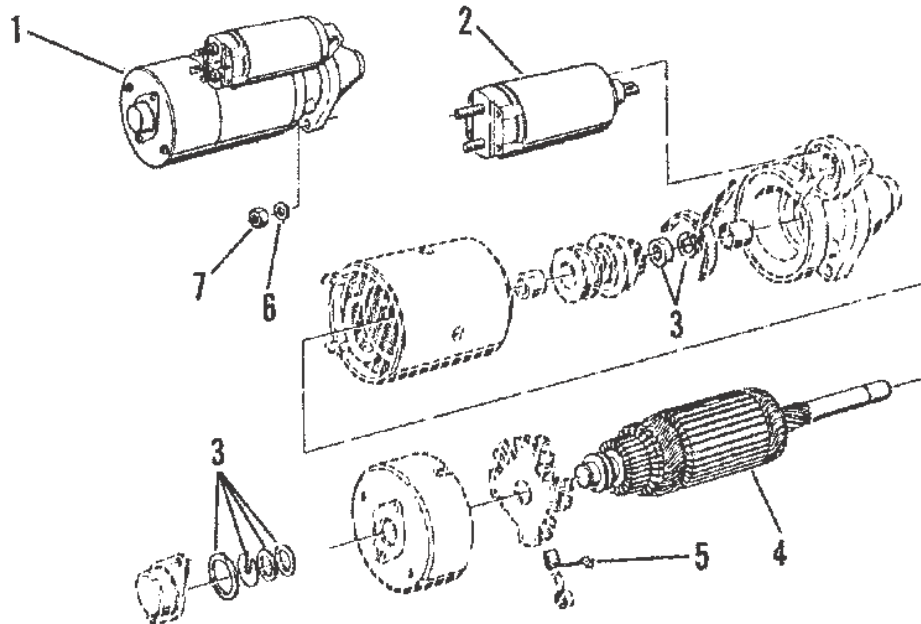
Manifold Strip

Ref #	Part Class	Part Number	Description	Comments	Qty	Note
1	0000	801763724	STRIP Manifold Front		1	
1	0000	801761097	STRIP Manifold Front		1	
2	0027	801331205	SEAL		2	[1]
3	0010	809919965	SCREW		8	
4	0013	809932071	LOCKWASHER		20	
5	0027	801331204	GASKET	(Quantities: (5 CYL) - 5; (6 CYL) - 6)	AR	[2]
6	0011	809922800	NUT		12	
7	0000	801761418	COVER		1	
8	0032	801761289	VENT PIPE		1	
9	0010	809917409	BOLT Banjo		1	
10	0025	809963130	WASHER Sealing		2	
11	0000	801763471	STRIP Manifold Rear		1	
12	0032	801765006	HOSE		1	
13	0054	801328048	CLAMP		2	
14	0027	822567A1	GASKET SET	(Quantities: (5 CYL) - 1; (6 CYL) - 0)	AR	
15	0027	822570A1	GASKET SET Overhaul	(Quantities: (5 CYL) - 0; (6 CYL) - 1)	AR	
16	0027	801763764	GASKET SET		AR	
16	0027	801763381	GASKET SET Cylinder Head		AR	

PART NOTES:

- [1] - Contents Of Gasket Set 822567A 1
 Contents Of Gasket Set822570A 1
- [2] - Contents Of Gasket Set 822567A 1
 Contents Of Gasket Set822570A 1
 Contents Of Gasket Set 801763764
 Contents Of Gasket Set 801763381

Starter Motor



13576

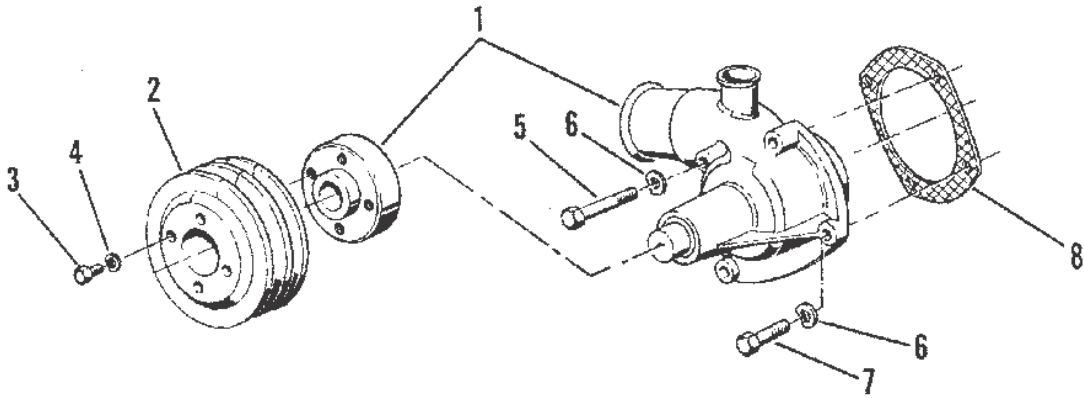
Cat.# 90-81361493

Starter Motor

Ref #	Part Class	Part Number	Description	Comments	Qty	Note
1	0050	801333980	STARTER MOTOR ASSEMBLY		1	
2	0000	801334380	RELAY		1	
3	0000	801334379	PARTS SET ARMATURE		1	
4	0000	801334377	ARMATURE		1	
5	0000	801334378	BRUSH SET		1	
6	0013	809932132	LOCKWASHER		2	
7	0011	809922133	NUT		2	

Starter Motor

Water Pump



13577

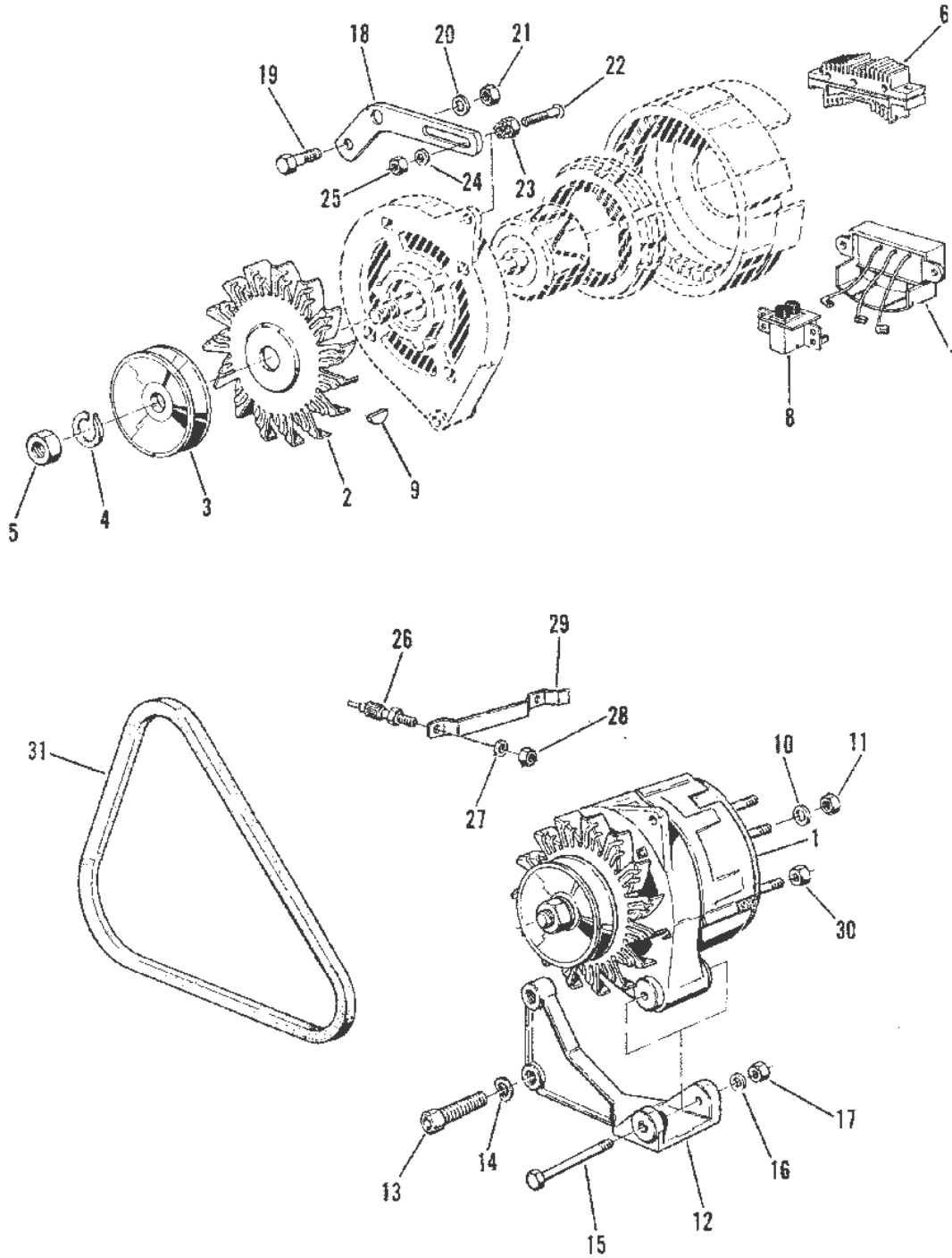
Water Pump

Ref #	Part Class	Part Number	Description	Comments	Qty	Note
1	0046	814255	PUMP Water		1	
2	0000	801763298	PULLEY		1	
3	0010	809913410	SCREW		4	
4	0013	809932071	LOCKWASHER		4	
5	0010	809912506	SCREW		2	
6	0013	809932095	LOCKWASHER		4	
7	0010	809913657	SCREW (M8 x 25)		2	
8	0027	801333441	GASKET		1	[1]
9	0027	822567A1	GASKET SET	(Quantities: (5 CYL) - 1; (6 CYL) - 0)	AR	
10	0027	822570A1	GASKET SET Overhaul	(Quantities: (5 CYL) - 0; (6 CYL) - 1)	AR	

PART NOTES:

- [1] - Contents Of Gasket Set 822567A 1
 Contents Of Gasket Set822570A 1

Alternator

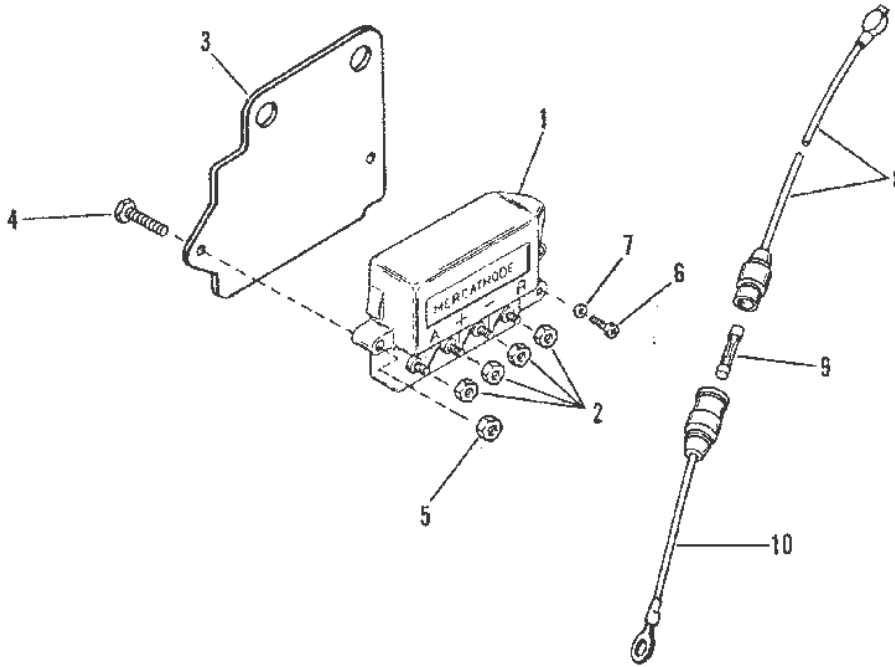


13578

Alternator

Ref #	Part Class	Part Number	Description	Comments	Qty	Note
1	0000	801334335	ALTERNATOR		1	
2	0000	801333944	FAN		1	
3	0000	801333939	PULLEY		1	
4	0013	809933149	LOCKWASHER		1	
5	0011	809921631	NUT		1	
6	0000	801334012	DIODE PLATE		1	
7	0000	801333937	REGULATOR		1	
8	0000	801334011	RELAY		1	
9	0028	809951453	KEY		1	
10	0012	809931036	WASHER		1	
11	0011	809922038	NUT		1	
12	0000	801763465	SUPPORT		1	
13	0010	801333479	SCREW		2	
14	0013	809931088	LOCKWASHER		2	
15	0010	809912567	SCREW		1	
16	0012	809931067	WASHER		1	
17	0011	809922426	NUT		1	
18	0000	801763365	BRACE		1	
19	0010	809913834	SCREW		1	
20	0013	809931076	LOCKWASHER		1	
21	0011	809922113	NUT		1	
22	0010	801276540	SCREW		1	
23	0043	801273639	GEAR Pinion		1	
24	0012	809931067	WASHER		1	
25	0011	809922426	NUT		1	
26	0033	801763464	PLUG Glow	(Quantities: (5 CYL) - 5; (6 CYL) - 6)	AR	
27	0013	809932047	LOCKWASHER	(Quantities: (5 CYL) - 5; (6 CYL) - 6)	AR	
28	0011	809921038	NUT	(Quantities: (5 CYL) - 5; (6 CYL) - 6)	AR	
29	0000	801331940	CONNECTING BRIDGE	(Quantities: (5 CYL) - 3; (6 CYL) - 4)	3	
30	0011	809922410	NUT		2	
31	0057	801761869	V BELT		1	

Mercathode (Stern Drive)

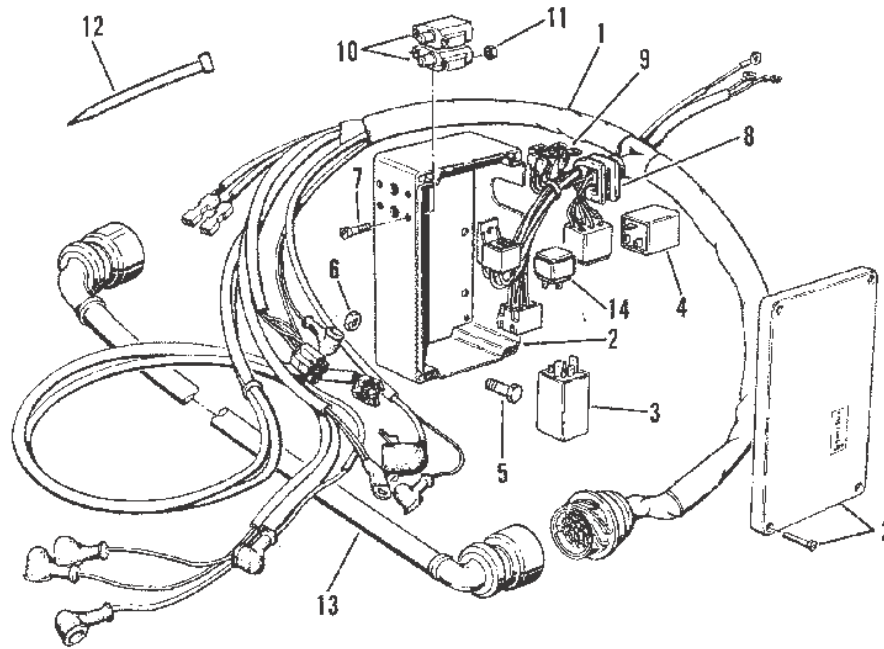


13579

Mercathode (Stern Drive)

Ref #	Part Class	Part Number	Description	Comments	Qty	Note
1	0000	42600A3	CONTROLLER ASSEMBLY		1	
2	0011	68219	NUT (#10-32) Stainless Steel		4	
3	0000	18893T	BRACKET		1	
4	0010	4000116	SCREW (M5 x 20) Controller		2	
5	0011	400201	NUT (M5) Controller Screw		2	
6	0010	62568	SCREW (#10-16 x .375) Controller Ground		1	
7	0012	30164	WASHER (.192 x .375 x .0312) Stainless Steel Ground Screw		2	
8	0084	95084A13	CABLE ASSEMBLY (64.00 Inches) Fuse (Long Red)		1	
9	0088	79091	FUSE 20 Ampere		1	
10	0084	95084A2	CABLE ASSEMBLY Fuse (Short Red)		1	

Motor Harness

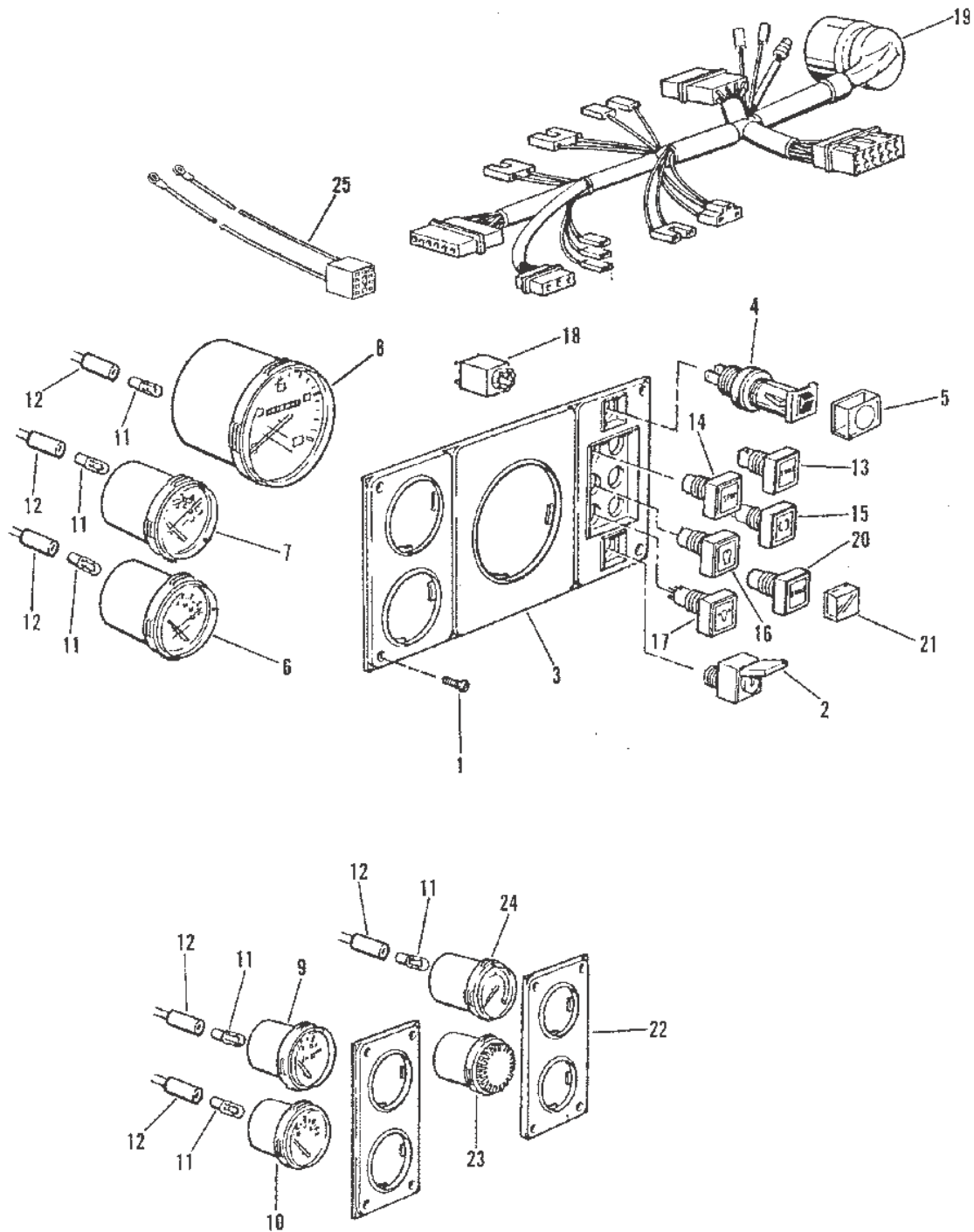


13580

Motor Harness

Ref #	Part Class	Part Number	Description	Comments	Qty	Note
1	0084	814017A1	HARNESS ASSEMBLY		1	
2	0000	801334495	BOX ASSEMBLY Electrical Components		1	
3	0000	801334306	RELAY Preheating		1	
4	0000	801334299	RELAY Power		1	
5	0010	4005688	SCREW (M4 x 20)		1	
5	0010	809907688	SCREW (M4 x 12)		3	
6	0011	809922800	NUT		4	
7	0010	809907583	SCREW		4	
8	0000	801355577	GROMMET		1	
9	0000	801764007	DIODE		1	
10	0088	801329978	BREAKER Circuit		2	
11	0011	809922028	NUT		4	
12	0000	801354092	TIE STRAP		5	
13	0084	801764116	HARNESS ASSEMBLY		1	
14	0000	801334372	RELAY Starting		1	

Instrument Panel And Key Chart



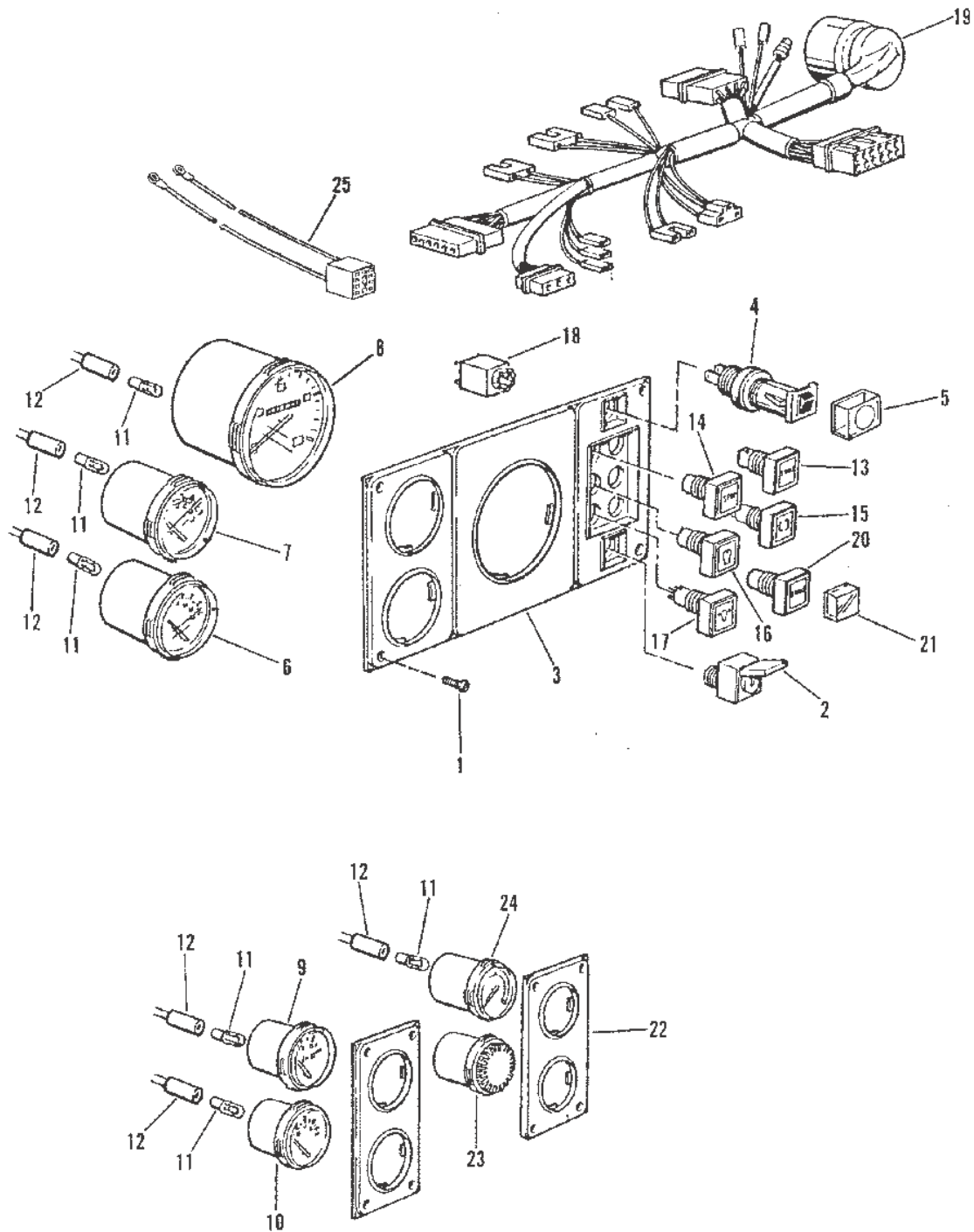
13581

Instrument Panel And Key Chart

Ref #	Part Class	Part Number	Description	Comments	Qty	Note
1	0010	809902520	SCREW		12	
2	0087	801334117	IGNITION SWITCH See Key Chart Below		1	
3	0000	801334100	INSTRUMENT PANEL		1	
4	0087	801334307	SWITCH		1	
5	0000	801334308	COVER		1	
6	0079	801334121	GAUGE Water Temperature		1	
7	0079	801334120	VOLTMETER GAUGE		1	
8	0079	801334359	TACHOMETER GAUGE		1	
9	0079	801334126	GAUGE Oil Temperature		1	
10	0079	801334125	GAUGE Oil Pressure		1	
11	0000	809978254	LIGHT BULB		6	
12	0000	802982204	SOCKET		6	
13	0087	801334110	SWITCH ASSEMBLY Start		1	
14	0087	801334114	SWITCH ASSEMBLY Stop		1	
15	0000	801334326	PREHEATER INDICATOR LAMP		1	
16	0000	801334328	CHARGING INDICATOR LAMP		1	
17	0000	801334327	LAMP Oil Pressure Warning		1	
18	0000	801334113	TOUCH CONTACTOR		3	
19	0084	801764124	HARNESS ASSEMBLY		1	
20	0087	801764125	SWITCH Trailering		1	
21	0000	801334111	COVER		3	
22	0000	801334124	INSTRUMENT PANEL		2	
23	0000	801334129	BUZZER		1	
24	0079	812391	TRIM INDICATOR GAUGE		1	
25	0084	812694	HARNESS ASSEMBLY Override		1	
26	0000	813905	INSTRUMENT PANEL		1	
27	0000	801334216	COVER		1	
28	0019	812390	PLUG		1	
29	0032	801764018	HARNESS ASSEMBLY		1	
30	0000	801764122	INSTRUMENT PANEL ASSEMBLY		1	
31	0000	801764123	INSTRUMENT PANEL ASSEMBLY		1	
32	0000	801334401	KEY 93401		AR	
33	0000	801334402	KEY 93402		AR	
34	0000	801334403	KEY 93403		AR	
35	0000	801334404	KEY 93404		AR	
36	0000	801334405	KEY 93405		AR	
37	0000	801334406	KEY 93406		AR	
38	0000	801334407	KEY 93407		AR	
39	0000	801334408	KEY 93408		AR	
40	0000	801334409	KEY 93409		AR	
41	0000	801334410	KEY 93410		AR	
42	0000	801334411	KEY 93411		AR	
43	0000	801334412	KEY 93412		AR	
44	0000	801334413	KEY 93413		AR	
45	0000	801334414	KEY 93414		AR	

Instrument Panel And Key Chart

Instrument Panel And Key Chart

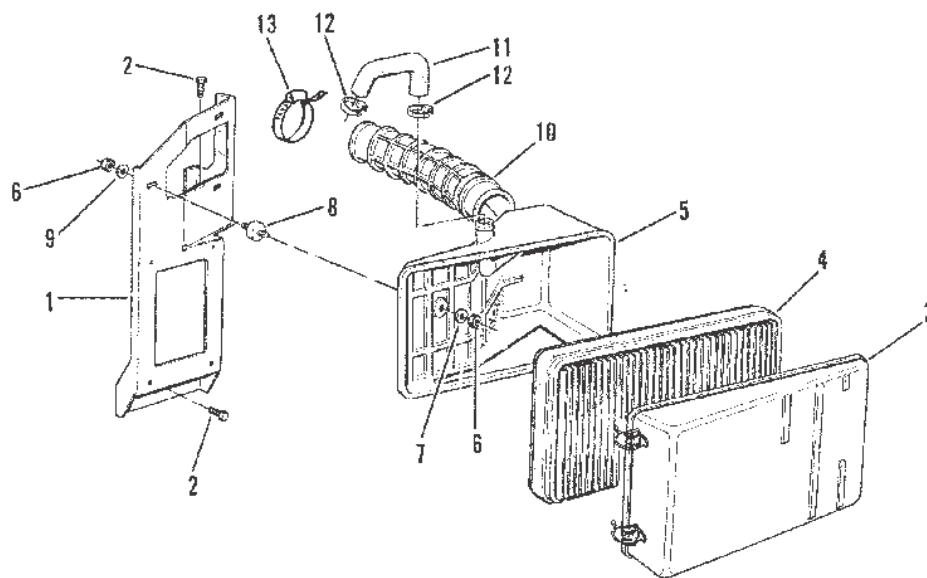


13581

Instrument Panel And Key Chart

Ref #	Part Class	Part Number	Description	Comments	Qty	Note
46	0000	801334415	KEY 93415		AR	
47	0000	801334416	KEY 93416		AR	
48	0000	801334417	KEY 93417		AR	
49	0000	801334418	KEY 93418		AR	
50	0000	801334419	KEY 93419		AR	
51	0000	801334420	KEY 93420		AR	
52	0000	801334421	KEY 93421		AR	
53	0000	801334422	KEY 93422		AR	
54	0000	801334423	KEY 93423		AR	
55	0000	801334424	KEY 93424		AR	
56	0000	801334425	KEY 93425		AR	

Air Cleaner (Old Design)

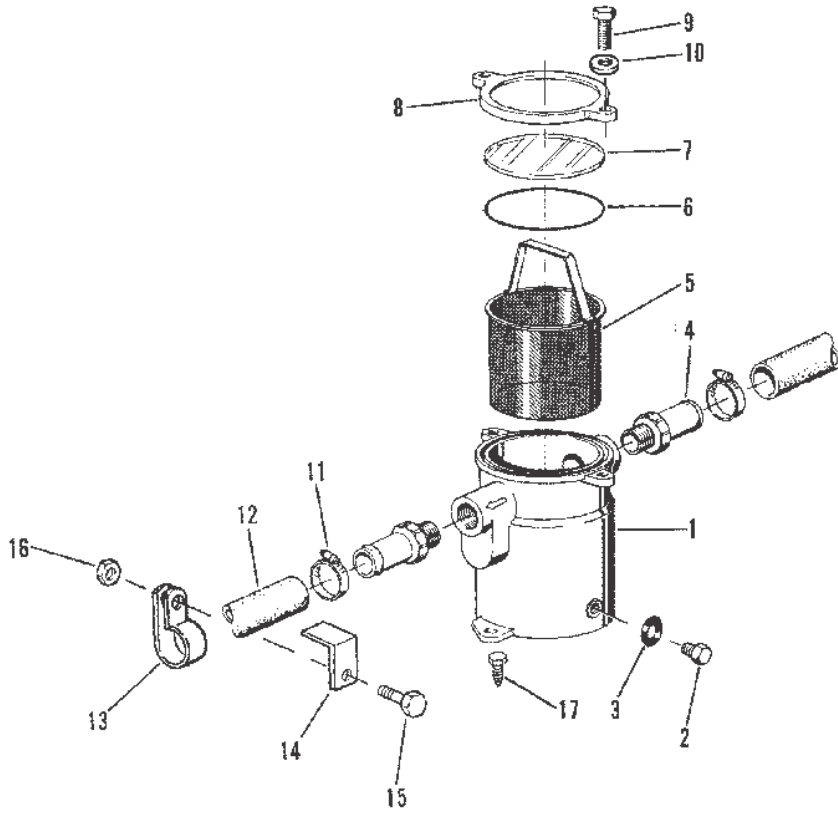


13582

Air Cleaner (Old Design)

Ref #	Part Class	Part Number	Description	Comments	Qty	Note
1	0000	801763253	PLATE Retaining		1	
2	0010	809913815	SCREW		2	
3	0000	801763324	COVER		1	
4	0035	19487	FILTER Air		1	
5	0000	801763327	COVER		1	
6	0011	809922417	NUT		6	
7	0012	809931044	WASHER		3	
8	0000	801761817	MOUNT		3	
9	0013	801761820	LOCKWASHER		3	
10	0032	801763523	HOSE		1	
11	0032	801763508	HOSE		1	
12	0054	801761179	CLAMP		2	
13	0054	801328048	CLAMP		1	

Seawater Filter

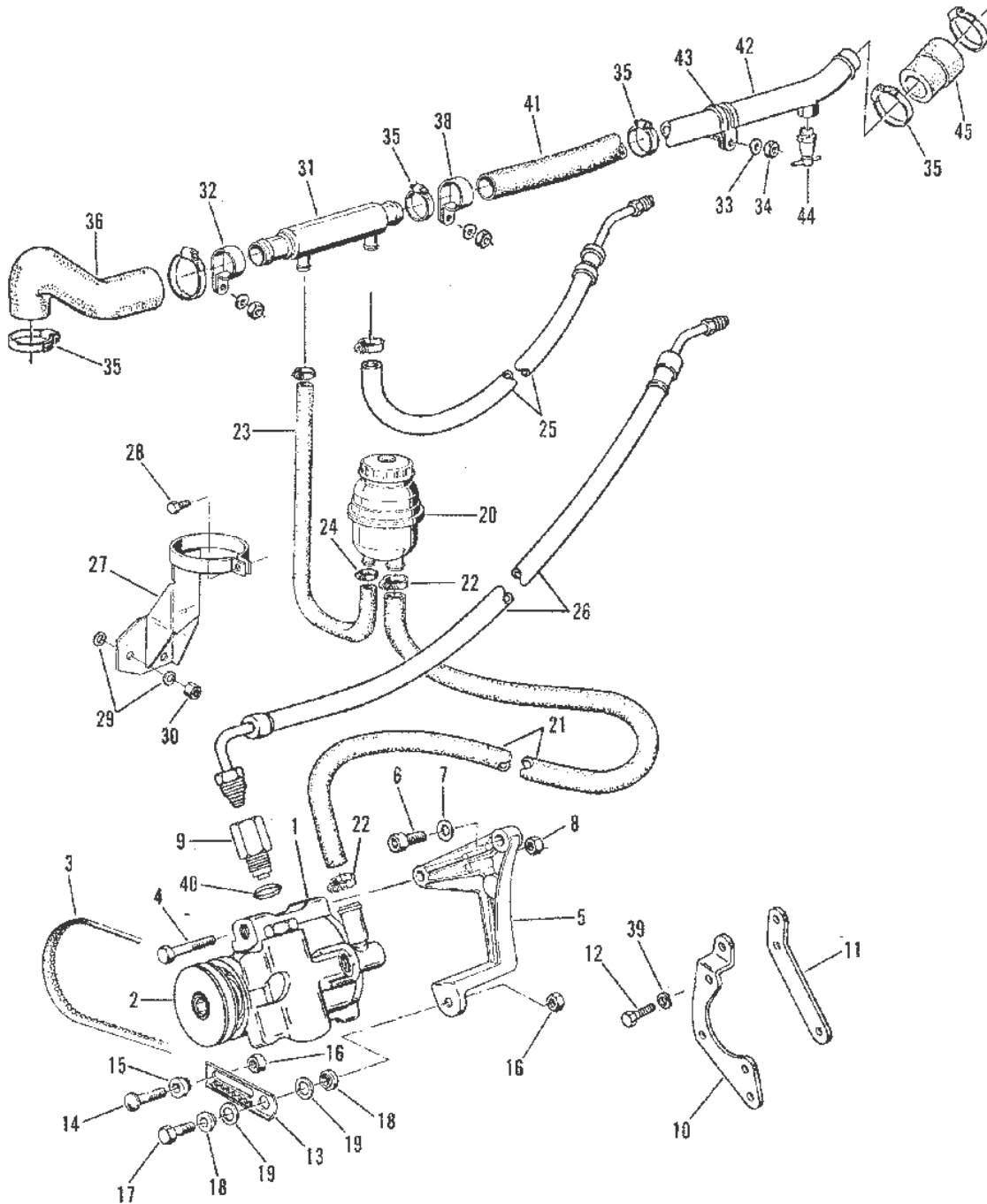


13583

Seawater Filter

Ref #	Part Class	Part Number	Description	Comments	Qty	Note
1	0035	801763739	FILTER Seawater		1	
2	0010	801763853	PLUG		1	
3	0000	801765058	RING		1	
4	0000	801763860	NOZZLE		2	
5	0000	801763855	ELEMENT		1	
6	0025	801763856	O-RING		1	
7	0000	801763857	WINDOW		1	
8	0000	801763858	COVER		1	
9	0010	801763859	SCREW		2	
10	0013	809933096	LOCKWASHER		2	
11	0054	801326523	CLAMP		4	
12	0032	801331258	HOSE		2	
13	0054	47715	CLIP		1	
14	0000	801331164	BRACKET		1	
15	0010	809913624	SCREW		1	
16	0011	809922087	NUT		1	
17	0010	85181	BOLT		2	

Power Steering Components (5 CYL.)



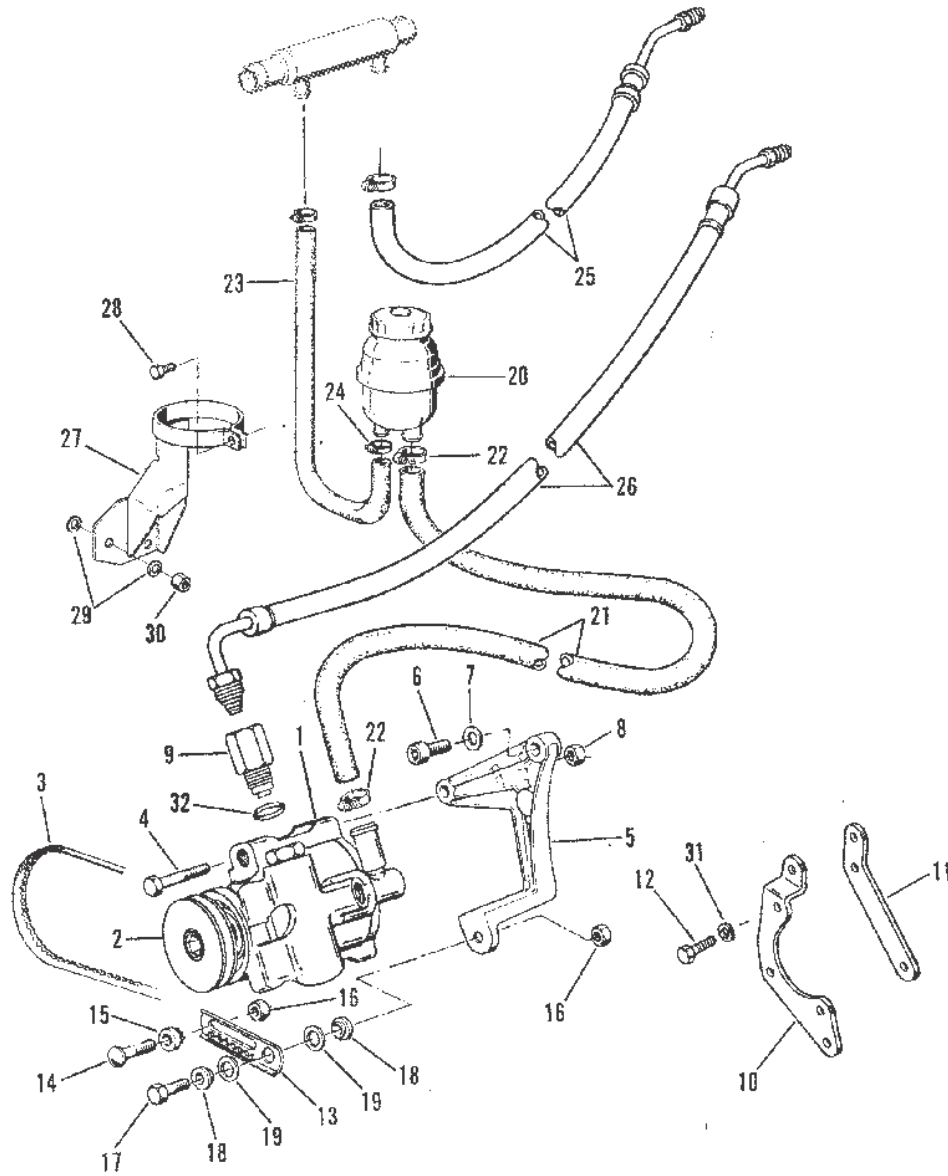
13584

Power Steering Components (5 CYL.)

Ref #	Part Class	Part Number	Description	Comments	Qty	Note
1	0000	18825A2	PUMP ASSEMBLY		1	
2	0000	801763349	PULLEY		1	
3	0057	801763283	V BELT		1	
4	0010	809912529	SCREW		1	
5	0000	801763978	SUPPORT		1	
6	0010	809919821	SCREW		2	
7	0012	809931682	WASHER		2	
8	0011	809922714	NUT		1	
9	0000	18826	ADAPTER		1	
10	0000	801763308	BRACKET		1	
11	0000	801763981	BRACE		1	
12	0010	809913624	SCREW		5	
13	0000	801763282	TIGHTENING BRACE		1	
14	0010	801277375	SCREW		1	
15	0043	801273639	GEAR Pinion		1	
16	0011	809922426	NUT		2	
17	0010	809913676	SCREW		1	
18	0023	801261404	BUSHING		2	
19	0012	801108620	WASHER		4	
20	0000	801124680	TANK Power Steering Oil Reservoir		1	
21	0032	801763795	HOSE		1	
22	0054	801761179	CLAMP		2	
23	0032	815183	HOSE		1	
24	0054	801326638	CLAMP		2	
25	0032	9884339	HOSE ASSEMBLY (72.00 Inches Bulk)		1	
26	0032	1727121	HOSE		1	
27	0000	801763309	SUPPORT		1	
28	0010	809913466	SCREW (M6 x 16)		1	
29	0012	809931067	WASHER		2	
30	0011	809909808	NUT		4	
31	0000	99356A2	COOLER ASSEMBLY		1	
32	0054	18904	CLIP		1	
33	0012	809931067	WASHER		3	
34	0011	809922087	NUT		3	
35	0054	801326639	CLAMP		8	
36	0032	801763230	HOSE		1	
38	0054	47715	CLIP		1	
39	0013	400247	LOCKWASHER (M8)		5	
40	0025	64068	O-RING		1	
41	0032	5346170	HOSE (48.00 Inches Bulk)		1	
42	0000	801763880	TUBE		1	
43	0054	801331113	CLAMP		2	
44	0000	801763335	DRAIN COCK		1	
45	0000	801763231	NOZZLE		1	

Power Steering Components (5 CYL.)

Power Steering Components (6 CYL.)

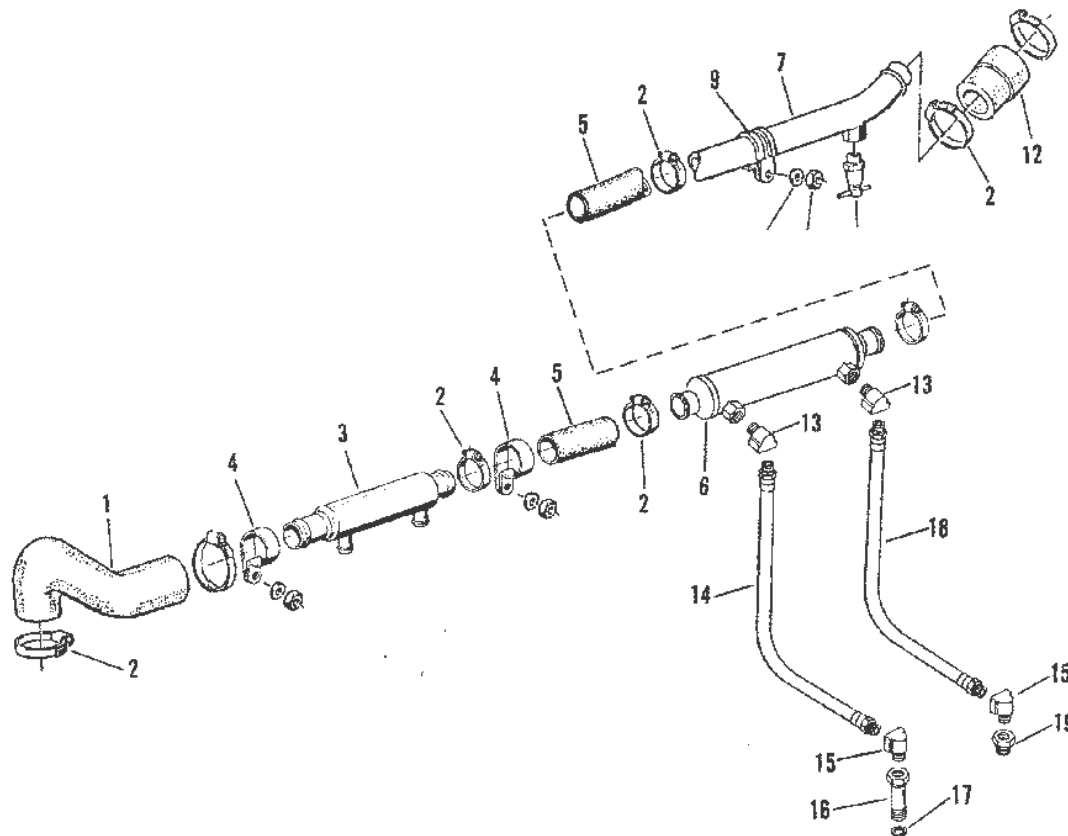


13585

Power Steering Components (6 CYL.)

Ref #	Part Class	Part Number	Description	Comments	Qty	Note
1	0000	18825A2	PUMP ASSEMBLY		1	
2	0000	801763349	PULLEY		1	
3	0057	801763283	V BELT		1	
4	0010	809912529	SCREW		1	
5	0000	801763978	SUPPORT		1	
6	0010	809919821	SCREW		2	
7	0012	809931682	WASHER		2	
8	0011	809922426	NUT		1	
9	0000	18826	ADAPTER		1	
10	0000	801763308	BRACKET		1	
11	0000	801763981	BRACE		1	
12	0010	809913624	SCREW		5	
13	0000	801763282	TIGHTENING BRACE		1	
14	0010	801277375	SCREW		1	
15	0043	801273639	GEAR Pinion		1	
16	0011	809922426	NUT		2	
17	0010	809913676	SCREW		1	
18	0023	801261404	BUSHING		2	
19	0012	801108620	WASHER		4	
20	0000	801124680	TANK Power Steering Oil Reservoir		1	
21	0032	801763795	HOSE		1	
22	0054	801761179	CLAMP		2	
23	0032	815183	HOSE		1	
24	0054	801326638	CLAMP		2	
25	0032	9884339	HOSE ASSEMBLY (72.00 Inches Bulk)		1	
26	0032	1727121	HOSE		1	
27	0000	801763309	SUPPORT		1	
28	0010	809913466	SCREW (M6 x 16)		2	
29	0012	809931067	WASHER		2	
30	0011	809909808	NUT		4	
31	0013	400247	LOCKWASHER (M8)		5	
32	0025	64068	O-RING		1	

Oil Cooler And Hoses (6 CYL. Old Design)

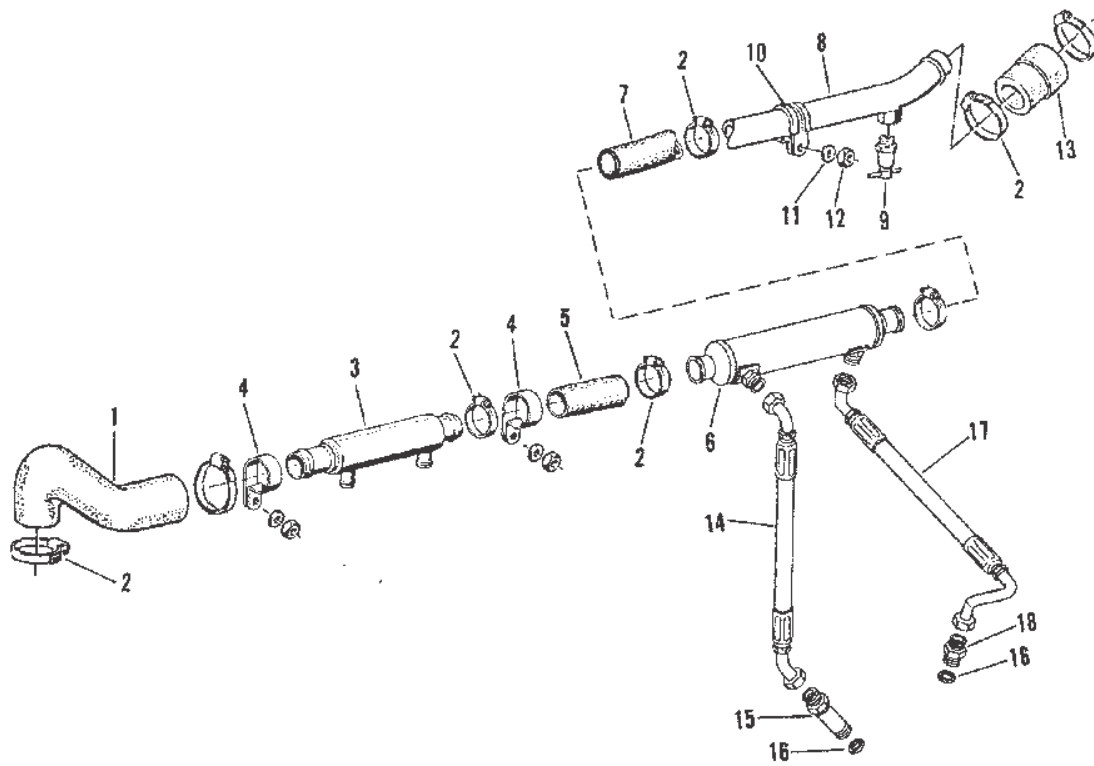


13586

Oil Cooler And Hoses (6 CYL. Old Design)

Ref #	Part Class	Part Number	Description	Comments	Qty	Note
1	0032	801763230	HOSE		1	
2	0054	801326639	CLAMP		8	
3	0000	99356A2	COOLER ASSEMBLY		1	
4	0054	18904	CLIP		3	
5	0032	801331112	HOSE Water		2	
6	0000	63832A1	COOLER		1	
7	0000	801763880	TUBE		1	
8	0000	801763335	DRAIN COCK		1	
9	0054	801331113	CLAMP		2	
10	0012	809931067	WASHER		3	
11	0011	809922087	NUT		3	
12	0000	801763231	NOZZLE		1	
13	0022	16781	ELBOW 90 Degrees		2	
14	0032	9235737	HOSE ASSEMBLY		1	
15	0022	815170	ELBOW 90 Degrees		2	
16	0010	815169	BOLT Banjo		1	
17	0000	809963355	WASHER		1	
18	0032	9235754	HOSE Oil		1	
19	0022	814374	CONNECTOR		1	

Oil Cooler And Hoses (6 CYL New Design)

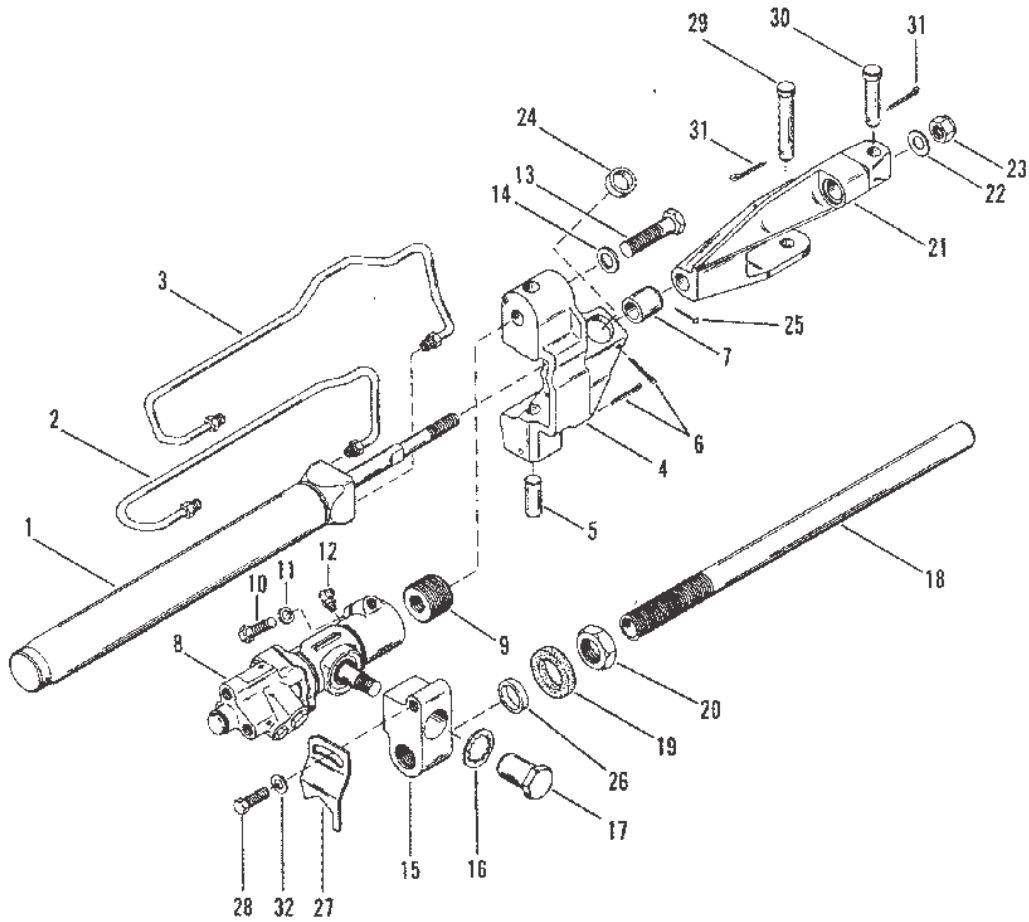


13587

Oil Cooler And Hoses (6 CYL New Design)

Ref #	Part Class	Part Number	Description	Comments	Qty	Note
1	0032	801763230	HOSE		1	
2	0054	801326639	CLAMP		8	
3	0000	99356A2	COOLER ASSEMBLY		1	
4	0054	18904	CLIP		2	
5	0032	801331112	HOSE Water		1	
6	0000	63832T1	COOLER Oil		1	
7	0000	801266470	NOZZLE		1	
8	0000	801763880	TUBE		1	
9	0000	801763335	DRAIN COCK		1	
10	0054	801331113	CLAMP		2	
11	0012	809931067	WASHER		3	
12	0011	809922087	NUT		3	
13	0000	801763231	NOZZLE		1	
14	0032	815516	HOSE Oil		1	
15	0010	801331151	BOLT Banjo		1	
16	0000	809963355	WASHER		2	
17	0032	815517	HOSE Oil		1	
18	0022	809964543	CONNECTOR		1	
19	0032	5346170	HOSE (48.00 Inches Bulk)		1	

Power Steering Cylinder (5 CYL Stern Drive)



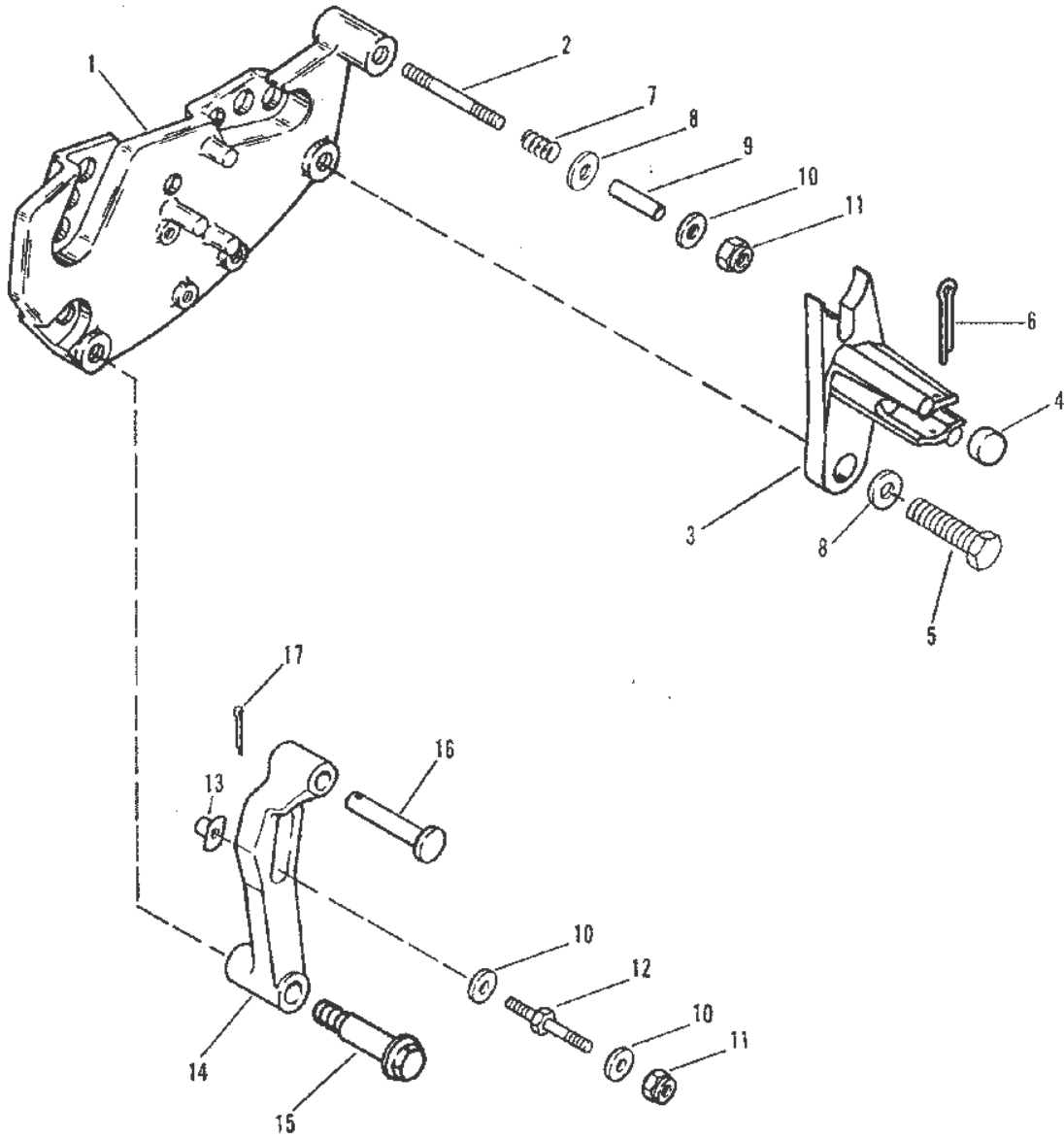
13588

Power Steering Cylinder (5 CYL Stern Drive)

Ref #	Part Class	Part Number	Description	Comments	Qty	Note
-	0000	89645A15	CYLINDER ASSEMBLY Power Steering		1	
1	0000	57969A12	CYLINDER ASSEMBLY Booster Booster (25-58224A1 Repair Kit)		1	
2	0032	92054	TUBE		1	
3	0032	92055	TUBE		1	
4	0000	94953A1	BRACKET ASSEMBLY		1	
5	0017	88283	PIN Retaining Booster Cylinder		2	
6	0018	36377	COTTER PIN Retaining Pin		2	
7	0023	88282	SLEEVE Adaptor Bracket		1	
8	0000	52779A2	VALVE ASSEMBLY Power Steering (25-58226A1 Repair Kit)		1	
9	0000	88280	ADAPTER Booster Valve		1	
10	0010	68101	SCREW (.375-16 x 1.375) Clamping		1	
11	0013	35048	LOCKWASHER (.375) Clamping Screw		1	
12	0022	67305	FITTING Grease		1	
13	0010	88281	SCREW (.500-20 x 1.750) Adaptor		1	
14	0012	20959	WASHER Adaptor Screw		1	
15	0000	88285	ADAPTER Steering Tube		1	
16	0013	76629	LOCKWASHER Internal Tooth (.750) Steering Tube Adaptor		1	
17	0011	55111	NUT Steering Tube Adaptor		1	
18	0000	96511A1	TUBE ASSEMBLY Steering Steering		1	
19	0000	88287	GUIDE Steering Tube		1	
20	0011	32882	NUT (.875-14) Steering		1	
21	0000	95848A1	CLEVIS ASSEMBLY Rod End		1	
22	0012	25970	WASHER Rod End		1	
23	0011	53300	NUT (.375-24) Rod End		1	
24	0023	95803	BUSHING Pivot		2	
25	0018	34212	COTTER PIN Sleeve		1	
26	0023	88286	BUSHING Steering Tube		1	
27	0000	92766	LOCK Coupler Nut		1	
28	0010	41209	SCREW Coupler Nut Lock		1	
29	0017	89229	PIN Clevis		1	
30	0017	52798	PIN Clevis		1	
31	0018	46950	COTTER PIN Clevis Pin		2	
32	0012	35462	WASHER (.2656 x .625 x .0625) Stainless Steel Coupler Nut Lock Screw		1	

Power Steering Cylinder (5 CYL Stern Drive)

Shift Bracket

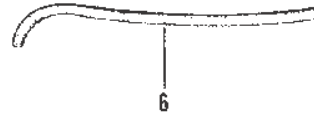
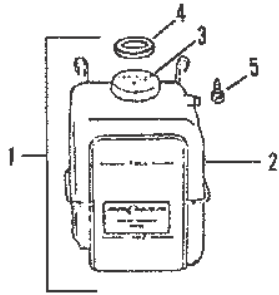


13589

Shift Bracket

Ref #	Part Class	Part Number	Description	Comments	Qty	Note
1	0000	99237A10	BRACKET ASSEMBLY		1	
2	0016	98798	STUD Shift Cable		1	
3	0000	123811	RETAINER Shift Cable		1	
4	0023	98828	SPACER		1	
5	0010	53167	SCREW (.312-18 x .880)		1	
6	0018	32857	COTTER PIN Shift Cable Retaining		1	
7	0024	98880	SPRING Shift Cable Stud		1	
8	0012	56720	WASHER (.330 x .750 x .060) Stainless Steel Shift Bracket Stud		2	
9	0023	98820	SPACER Shift Cable Stud		1	
10	0012	35462	WASHER (.2656 x .625 x .0625) Stainless Steel Shift Cable Stud		5	
11	0011	13438	NUT (.250-28) Shift Cable Stud		2	
12	0016	96112	STUD (.250-28 x 2.00) Throttle Cable Anchor-Shift Cable		1	
13	0011	63341	TEE NUT Shift Cable Stud		1	
14	0000	138981	LEVER		1	
15	0010	13743	SCREW (.312-18 x 1.843) Shoulder - Shift Lever		1	
16	0017	68402	PIN (.250 x 1.13) Shift Lever		1	
17	0018	21071	COTTER PIN Shift Lever		1	
18	0000	805324	STUD Extension		2	
19	0013	809932095	LOCKWASHER		2	
20	0011	400213	NUT (M8) Stainless Steel		2	

Coolant Recovery

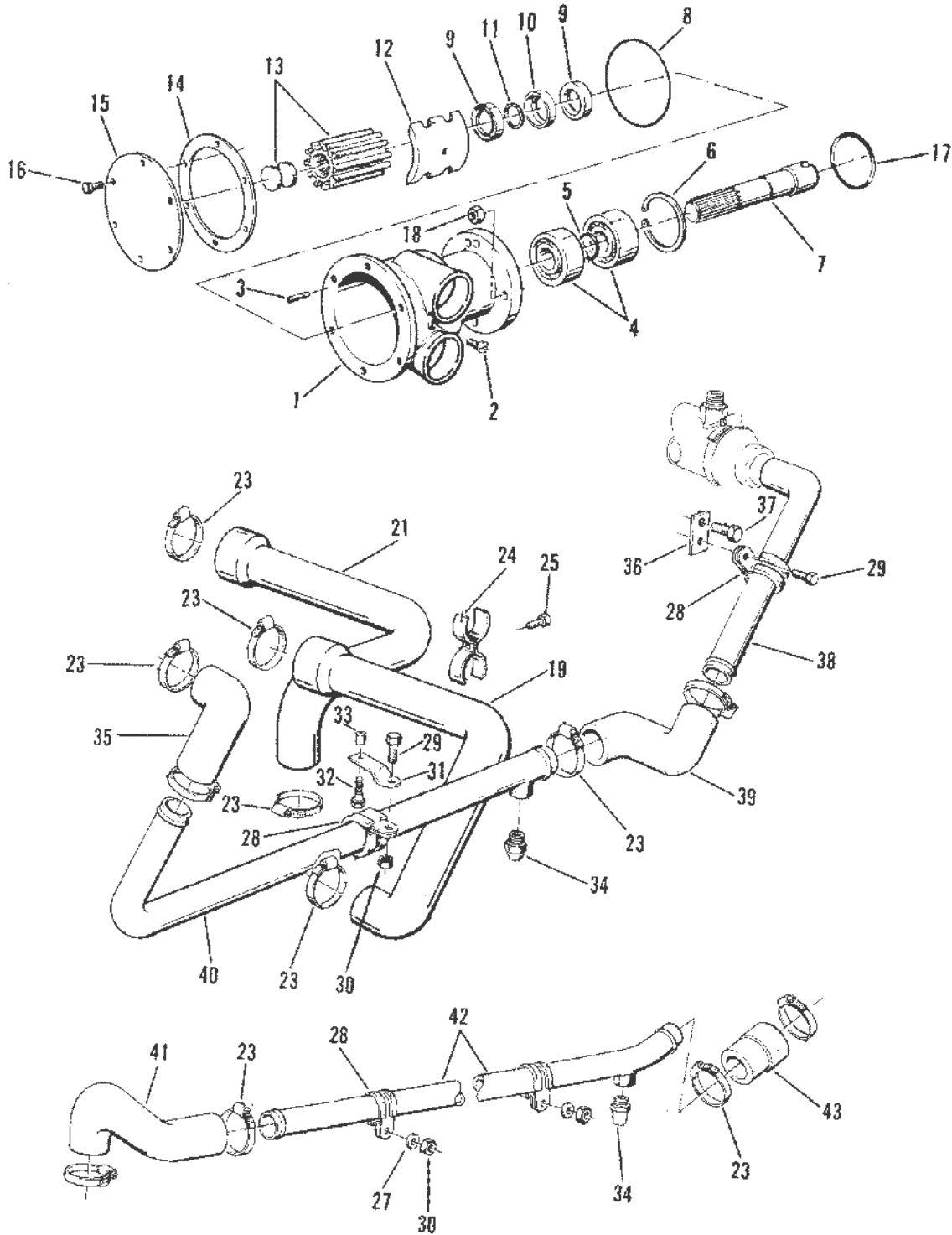


13590

Coolant Recovery

Ref #	Part Class	Part Number	Description	Comments	Qty	Note
1	0000	71587A10	RECOVERY KIT Coolant		1	
2	0000	71587A11	BOTTLE Plastic		1	
3	0000	72058	CAP		1	
4	0027	71614	GASKET		1	
5	0010	85484	SCREW		2	
6	0032	1983389	HOSE		1	

Seawater Pump (Mechanical Transmission)

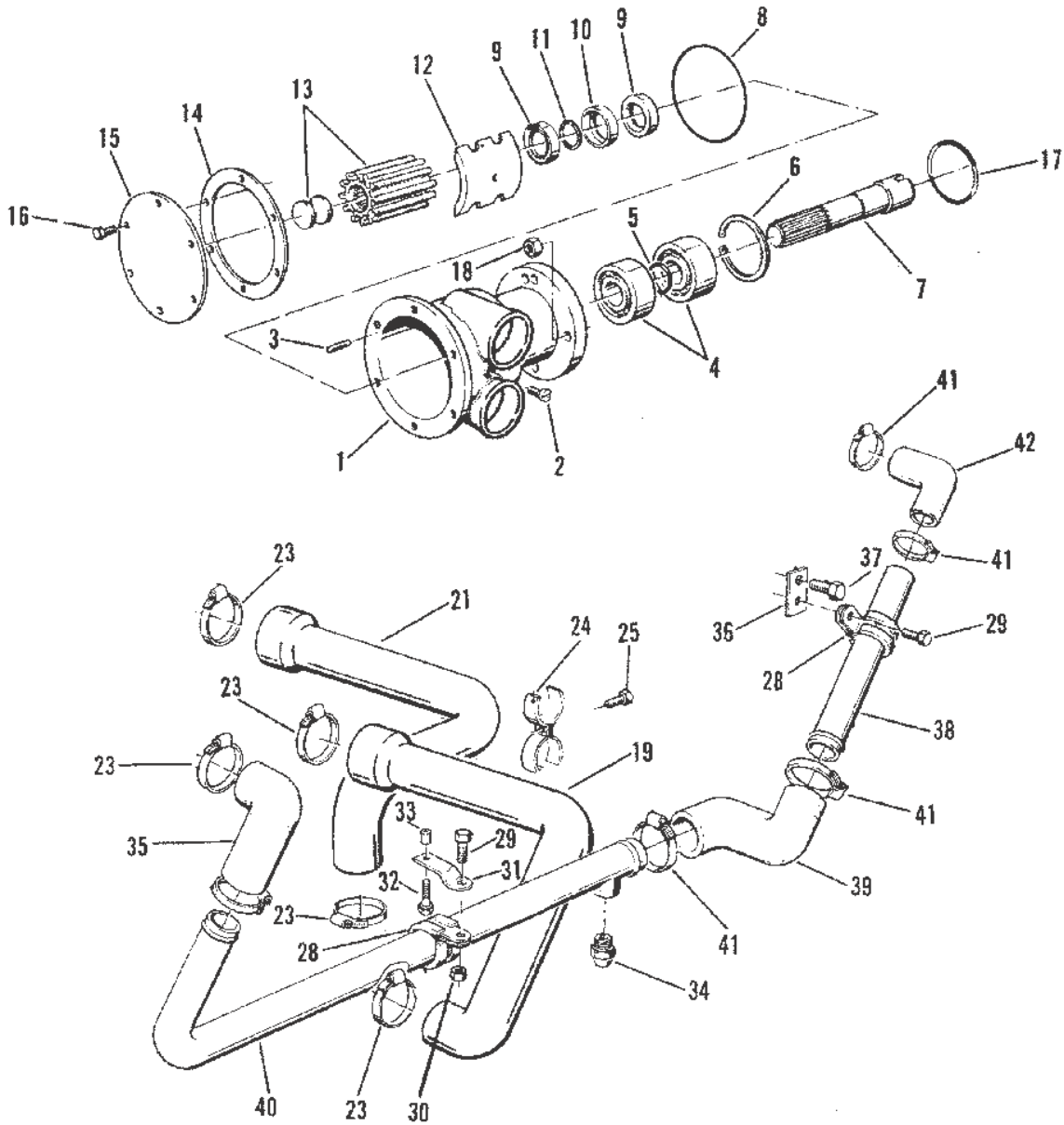


13591

Seawater Pump (Mechanical Transmission)

Ref #	Part Class	Part Number	Description	Comments	Qty	Note
1	0000	814874	PUMP ASSEMBLY Seawater		1	
02	0010	801332604	SCREW		1	
3	0017	801332620	PIN		1	
4	0030	801332597	BEARING Ball		2	
5	0023	801332596	SPACER		1	
6	0053	801332595	RING Snap Retaining		1	
7	0045	801332593	SHAFT		1	
8	0012	801332601	WEAR PLATE		1	
9	0026	801332600	SEAL		2	
10	0000	801332599	SPREADER		1	
11	0025	801332598	O-RING		1	
12	0000	814873	CAM		1	
13	0047	801332602	IMPELLER		1	
14	0027	801332606	GASKET		1	
15	0000	801332607	COVER		1	
16	0010	801332608	SCREW		6	
17	0025	801333850	O-RING		1	
18	0011	809922800	NUT		4	
19	0032	805375	HOSE		1	
21	0032	805376	HOSE Seawater		1	
23	0054	801326639	CLAMP		10	
24	0054	801761122	CLAMP		2	
25	0010	809915039	SCREW		1	
27	0012	809931067	WASHER		2	
28	0054	801331113	CLAMP		2	
29	0010	809913624	SCREW		2	
30	0011	400213	NUT (M8) Stainless Steel		2	
31	0000	801761589	BRACKET		2	
32	0010	809913483	SCREW		2	
33	0023	801763599	SPACER		2	
34	0000	801763335	DRAIN COCK		1	
35	0032	801763997	HOSE		1	
36	0000	801761588	PLATE		1	
37	0010	809913815	SCREW		1	
38	0032	801761585	PIPE Seawater		1	
39	0032	801761584	HOSE		1	
40	0000	801763719	PIPE Seawater		1	
40	0032	801761586	PIPE Seawater		1	
41	0032	801763230	HOSE		1	
42	0000	801763722	PIPE Seawater		1	
42	0032	801763229	PIPE Seawater		1	
43	0000	801763231	NOZZLE		1	

Seawater Pump (Hydraulic Transmission)



13592

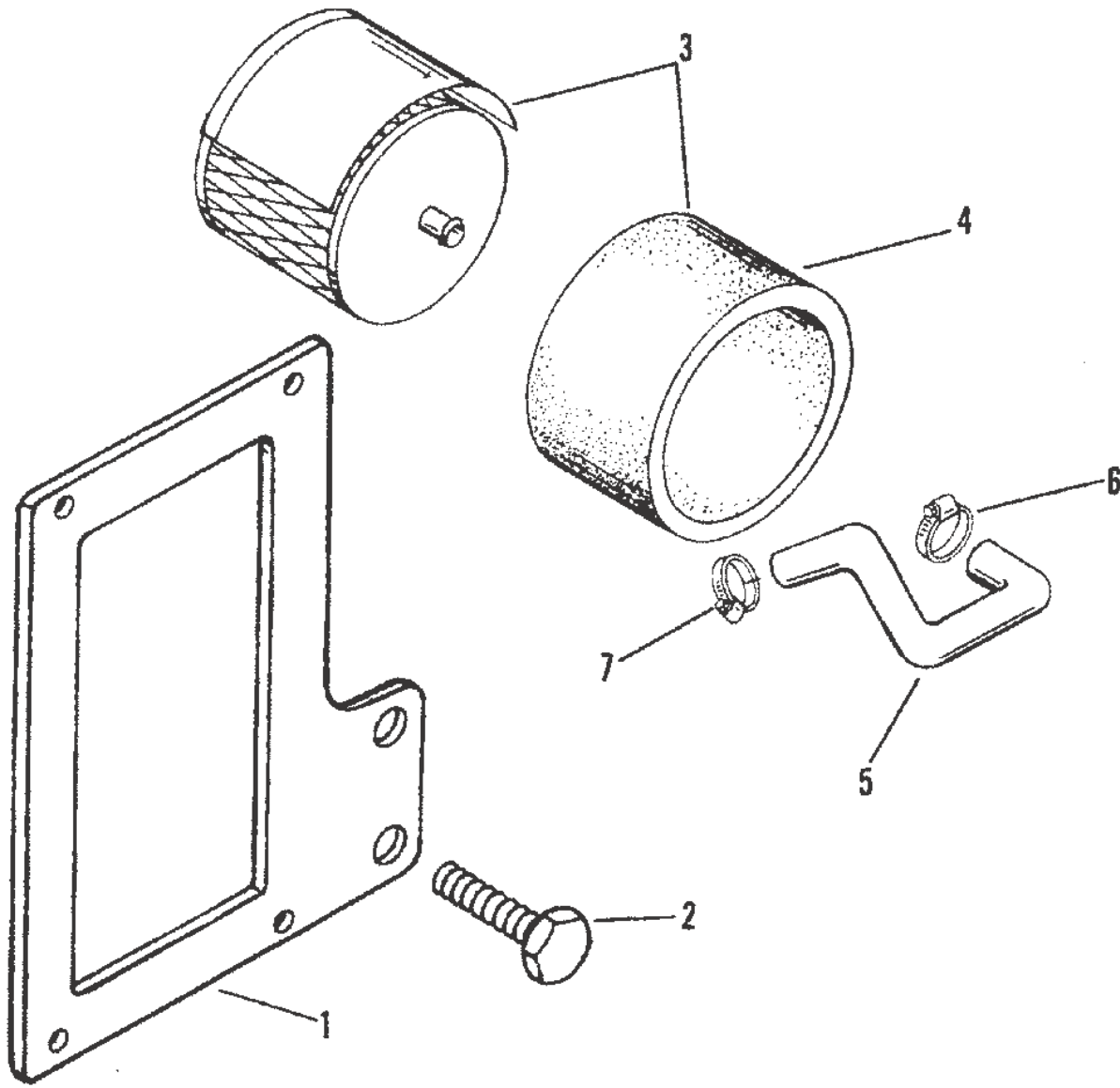
Seawater Pump (Hydraulic Transmission)

Ref #	Part Class	Part Number	Description	Comments	Qty	Note
1	0000	814874	PUMP ASSEMBLY Seawater		1	
2	0010	801332604	SCREW		1	
3	0017	801332620	PIN		1	
4	0030	801332597	BEARING Ball		2	
5	0023	801332596	SPACER		1	
6	0053	801332595	RING Snap Retaining		1	
7	0045	801332593	SHAFT		1	
8	0012	801332601	WEAR PLATE		1	
9	0026	801332600	SEAL		2	
10	0000	801332599	SPREADER		1	
11	0025	801332598	O-RING		1	
12	0000	814873	CAM		1	
13	0047	801332602	IMPELLER		1	
14	0027	801332606	GASKET		1	
15	0000	801332607	COVER		1	
16	0010	801332608	SCREW		6	
17	0025	801333850	O-RING		1	
18	0011	400212	NUT (M6) Stainless Steel		4	
19	0032	805375	HOSE		1	
21	0032	805376	HOSE Seawater		1	
23	0054	801326639	CLAMP		1	[1]
24	0054	801761122	CLAMP		2	
25	0010	809915039	SCREW		1	
28	0054	801331113	CLAMP		2	
29	0010	809913624	SCREW		2	
30	0011	400213	NUT (M8) Stainless Steel		1	
31	0000	801761589	BRACKET		2	
32	0010	809913483	SCREW		2	
33	0023	801763599	SPACER		2	
34	0000	801763335	DRAIN COCK		1	
35	0032	801763997	HOSE		1	
36	0000	801761588	PLATE		1	
37	0010	809913815	SCREW		1	
38	0032	814252	PIPE Seawater		1	
39	0032	801761584	HOSE		1	
40	0000	801763719	PIPE Seawater		1	
40	0032	801761586	PIPE Seawater		1	
41	0054	815504220	CLAMP Worm Gear		AR	[1]
42	0032	801763996	PIPE Seawater		1	

PART NOTES:

[1] - As Required

Air Cleaner (New Design)



13593

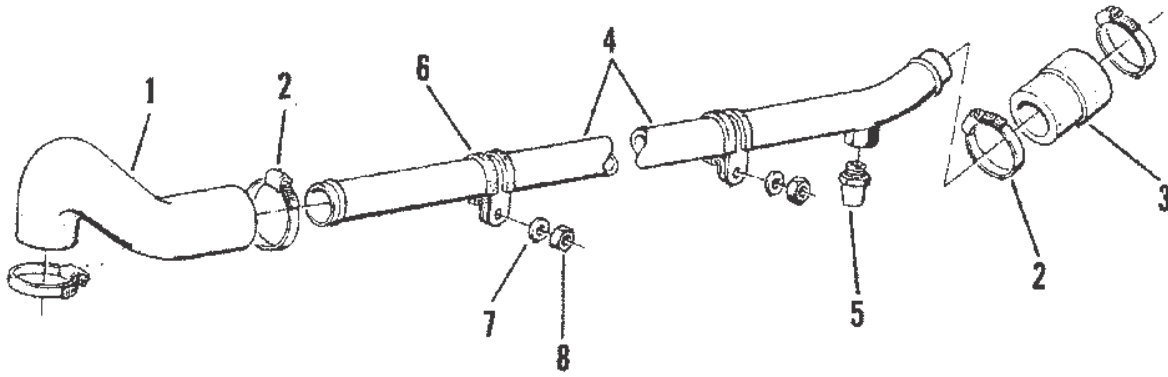
Cat.# 90-81361493

Air Cleaner (New Design)

Ref #	Part Class	Part Number	Description	Comments	Qty	Note
1	0000	805176T	BRACKET		1	
2	0010	809913815	SCREW		2	
3	0000	805114A2	CLEANER ASSEMBLY Air		1	
4	0035	805311	ELEMENT		1	
5	0032	805323	VENT TUBE		1	
6	0054	801326638	CLAMP Small		1	
7	0054	801761179	CLAMP Large		1	

Air Cleaner (New Design)

Hoses (5 Cylinder)



13594

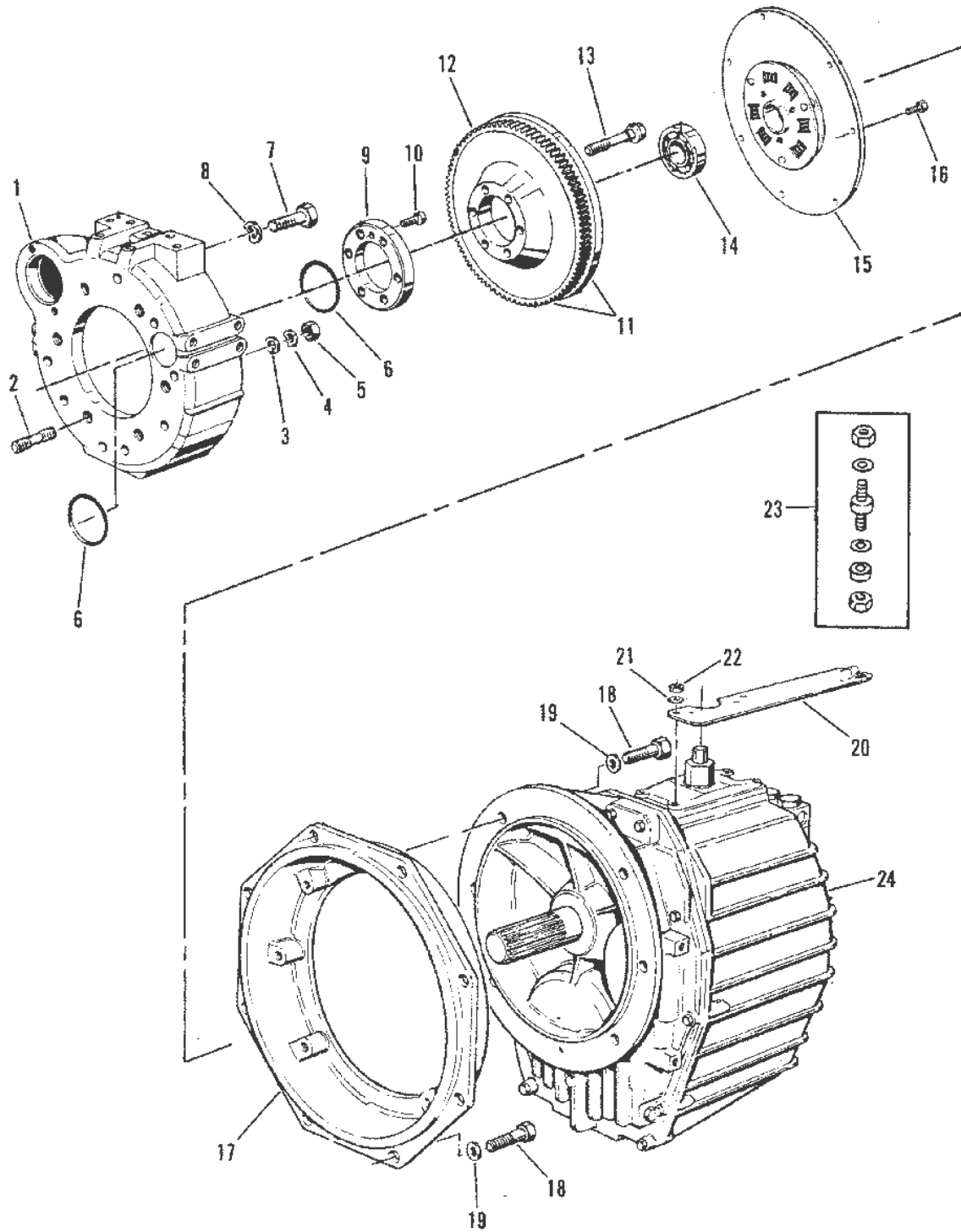
Cat.# 90-81361493

Hoses (5 Cylinder)

Ref #	Part Class	Part Number	Description	Comments	Qty	Note
1	0032	801763230	HOSE		1	
2	0054	801326639	CLAMP		4	
3	0000	801763231	NOZZLE		1	
4	0000	801763722	PIPE Seawater		1	
5	0000	801763335	DRAIN COCK		1	
6	0054	801331113	CLAMP		2	
7	0012	809931067	WASHER		2	
8	0011	809922087	NUT		2	

Hoses (5 Cylinder)

Flywheel Housing/Transmission (Mechanical Transmission)

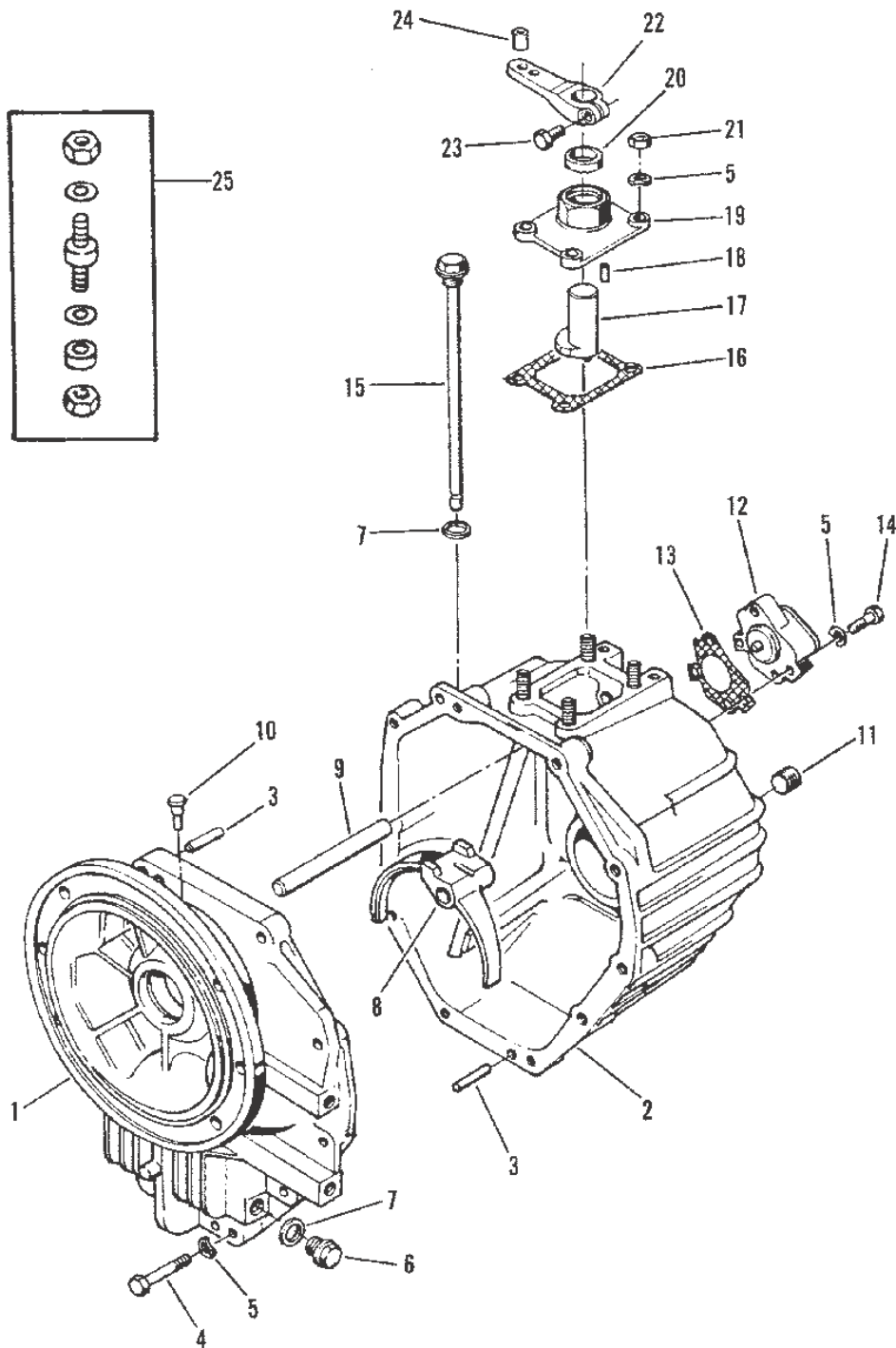


13595

Flywheel Housing/Transmission (Mechanical Transmission)

Ref #	Part Class	Part Number	Description	Comments	Qty	Note
1	0000	801331695	HOUSING Flywheel		1	
2	0016	809908402	STUD		2	
3	0012	809931067	WASHER		6	
4	0013	809932095	LOCKWASHER		6	
5	0011	400213	NUT (M8) Stainless Steel		6	
6	0025	801331619	O-RING		2	
7	0010	809913837	SCREW		9	
8	0013	809932112	LOCKWASHER		9	
9	0000	801331697	SPACER Flywheel		1	
10	0010	801331698	SCREW (M4 x 10)		1	
11	0265	801331699	FLYWHEEL		1	
12	0043	801331701	RING GEAR		1	
13	0010	811454	BOLT		6	
14	0030	801331702	BEARING Ball		1	
15	0000	805045A4	COUPLING		1	
16	0010	809913624	SCREW		6	
17	0000	801333891	HOUSING		1	
18	0010	809913837	SCREW		14	
19	0013	809931076	LOCKWASHER		14	
20	0000	801333793	PLATE Retaining		1	
21	0012	809931067	WASHER		2	
22	0011	809922426	NUT		2	
23	0016	97477A3	STUD KIT		1	
24	0000	801763547	TRANSMISSION (1.5:1 Ratio) Inline		1	
24	0000	801763548	TRANSMISSION (2.0:1 Ratio) Inline		1	
24	0000	801763549	TRANSMISSION (1.5:1 Ratio) (8 Degrees Down)		1	
24	0000	801763555	TRANSMISSION (2.0:1 Ratio) (8 Degrees Down)		1	
24	0000	801763556	TRANSMISSION (3.0:1 Ratio) (8 Degrees Down)		1	

Transmission (Inline) (Outer Housing)

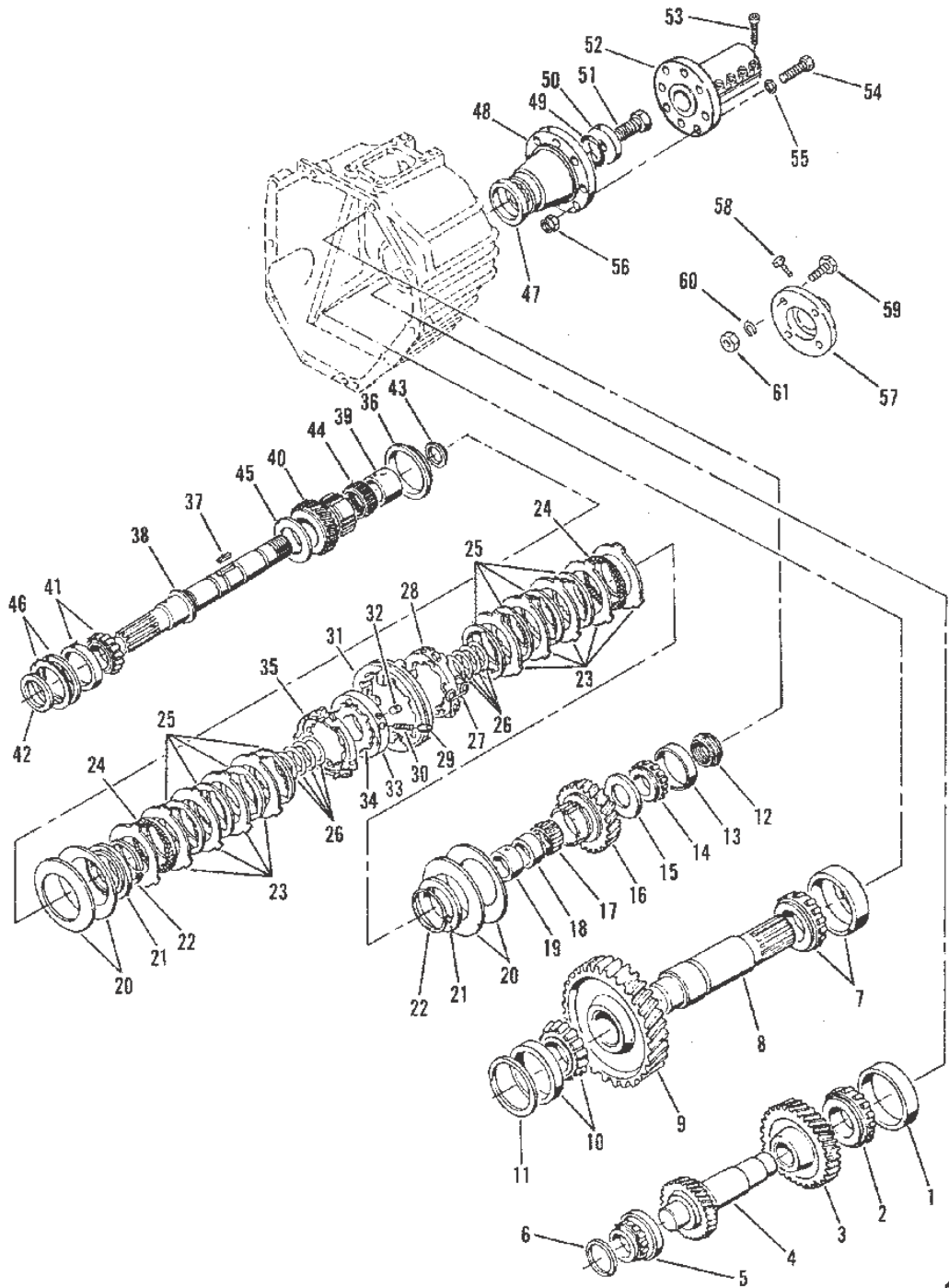


13596

Transmission (Inline) (Outer Housing)

Ref #	Part Class	Part Number	Description	Comments	Qty	Note
-	0000	801763547	TRANSMISSION (1.5:1 Ratio)		1	
-	0000	801763548	TRANSMISSION (2.0:1 Ratio)		1	
-	0000	801763549	TRANSMISSION (3.0:1 Ratio)		1	
1	0000	801761933	COVER		1	
2	0000	801761934	HOUSING		1	
3	0017	801761993	PIN		1	
4	0010	809913676	SCREW		16	
5	0013	809932095	LOCKWASHER		6	
6	0010	801331262	BOLT		1	
7	0025	809963252	O-RING		2	
8	0000	801761952	SHIFT FORK		1	
9	0000	801761489	SHIFT ROD		1	
10	0010	801761990	SCREW		1	
11	0019	809919016	PLUG		1	
12	0000	801761935	PUMP Oil		1	
13	0027	801761938	GASKET		1	
14	0010	809919643	SCREW		2	
15	0000	801761951	DIPSTICK		1	
16	0027	801331271	GASKET		1	
17	0000	801761986	SHIFTING CAM		1	
18	0017	809941385	PIN Dowel		1	
19	0000	801331265	COVER		1	
20	0025	801331270	O-RING		1	
21	0011	400213	NUT (M8) Stainless Steel		4	
22	0000	801331264	LEVER Shift		1	
23	0010	809913644	SCREW		1	
24	0023	31866	SPACER (.256 x .313 x .625)		1	
25	0016	97477A3	STUD KIT		1	

Transmission (Inline) (Internal Components)



13597

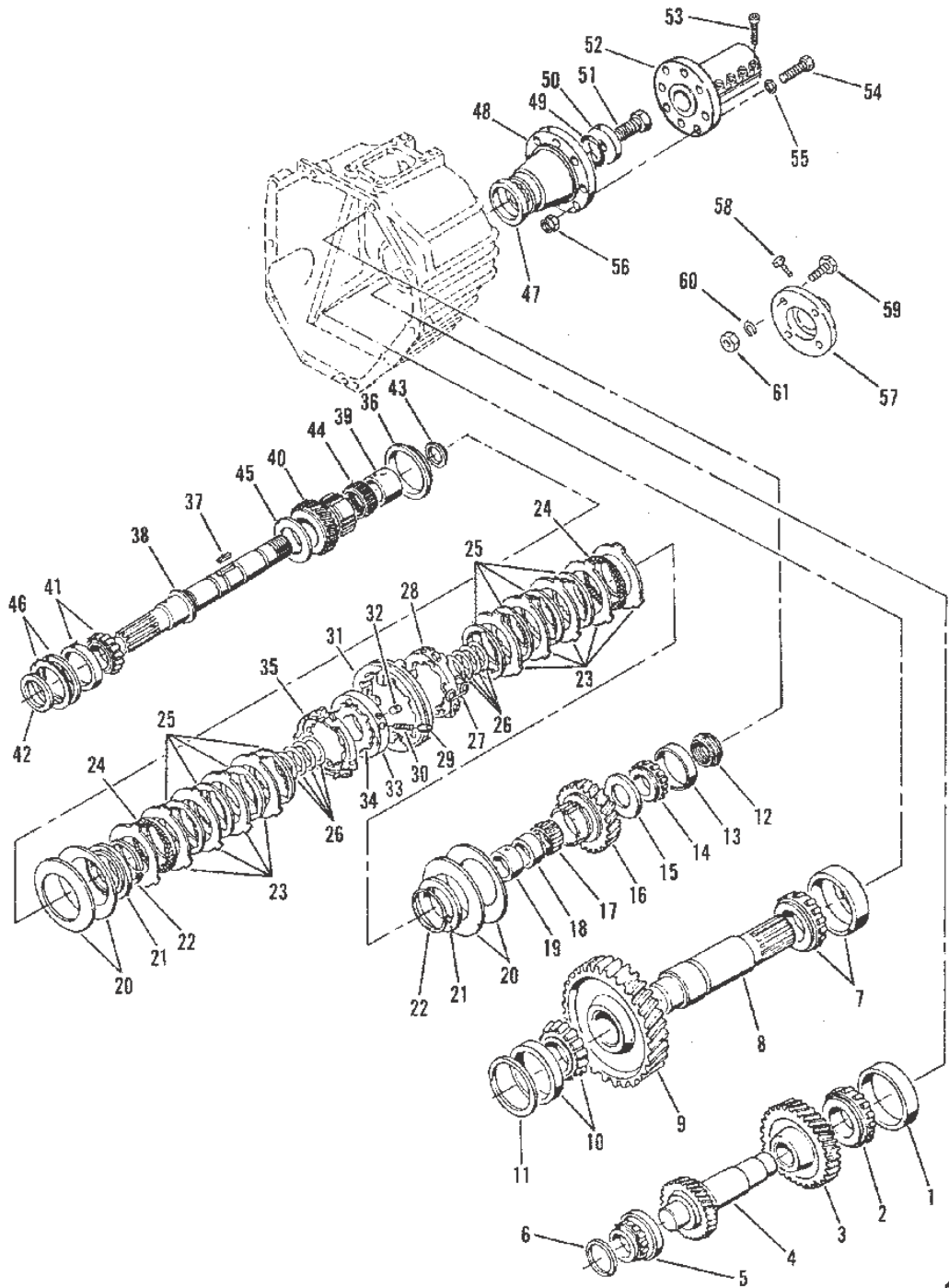
Transmission (Inline) (Internal Components)

Transmission (Inline) (Internal Components)

Ref #	Part Class	Part Number	Description	Comments	Qty	Note
.	0000	801763547	TRANSMISSION (1.5:1 Ratio)		1	
.	0000	801763548	TRANSMISSION (2.0:1 Ratio)		1	
.	0000	801763549	TRANSMISSION (3.0:1 Ratio)		1	
1	0031	801328390	BEARING Roller		1	
2	0031	801328389	BEARING Roller		1	
3	0043	801761992	GEAR		1	
4	0000	801761959	SHAFT Pinion (1.5:1 Ratio)		1	
4	0000	801761960	SHAFT Pinion (2.0:1 Ratio)		1	
4	0000	801761961	SHAFT Pinion (3.0:1 Ratio)		1	
5	0031	801761994	BEARING Roller		1	
6	0015	801761962	SHIM (.01 MM)		AR	
6	0015	801761963	SHIM (.15 MM)		AR	
6	0015	801761964	SHIM (.20 MM)		AR	
6	0015	801761965	SHIM (.50 MM)		AR	
7	0015	801761966	SHIM (1.00 MM)		AR	
8	0031	801761996	BEARING Roller		1	
9	0045	801761953	OUTPUT SHAFT		1	
9	0045	801761953	OUTPUT SHAFT (1.5:1 Ratio)		1	
9	0043	801761968	OUTPUT GEAR WHEEL (2.0:1 Ratio)		1	
9	0043	801761969	OUTPUT GEAR WHEEL (3.0:1 Ratio)		1	
10	0031	801761995	BEARING Roller		1	
11	0015	801761954	SHIM (.10MM)		AR	
11	0031	801761995	BEARING Roller (.15MM)		AR	
11	0015	801761956	SHIM (.20MM)		AR	
11	0015	801761957	SHIM (.50MM)		AR	
11	0015	801761958	SHIM (1.00MM)		AR	
12	0011	801761974	NUT		1	
13	0031	801328408	BEARING Roller		1	
14	0031	801328409	BEARING Roller		1	
15	0012	801761984	THRUST WASHER		1	
16	0043	801761970	GEAR		1	
17	0031	801330602	NEEDLE CAGE		1	
18	0031	801328181	BEARING Roller		1	
19	0031	801328409	BEARING Roller		1	
20	0024	801761975	SPRING		4	
21	0000	801761977	DISC		1	
22	0000	801761983	HALF RING		2	
23	0000	801761978	OUTER DISC		4	
24	0000	801761989	INNER DISC		2	
25	0000	801332418	INNER DISC		6	
26	0015	801328174	SHIM (.04MM)		AR	
26	0015	801328175	SHIM (.05MM)		AR	
26	0015	801328176	SHIM (.06MM)		AR	
26	0015	801328177	SHIM (.07MM)		AR	

Transmission (Inline) (Internal Components)

Transmission (Inline) (Internal Components)



13597

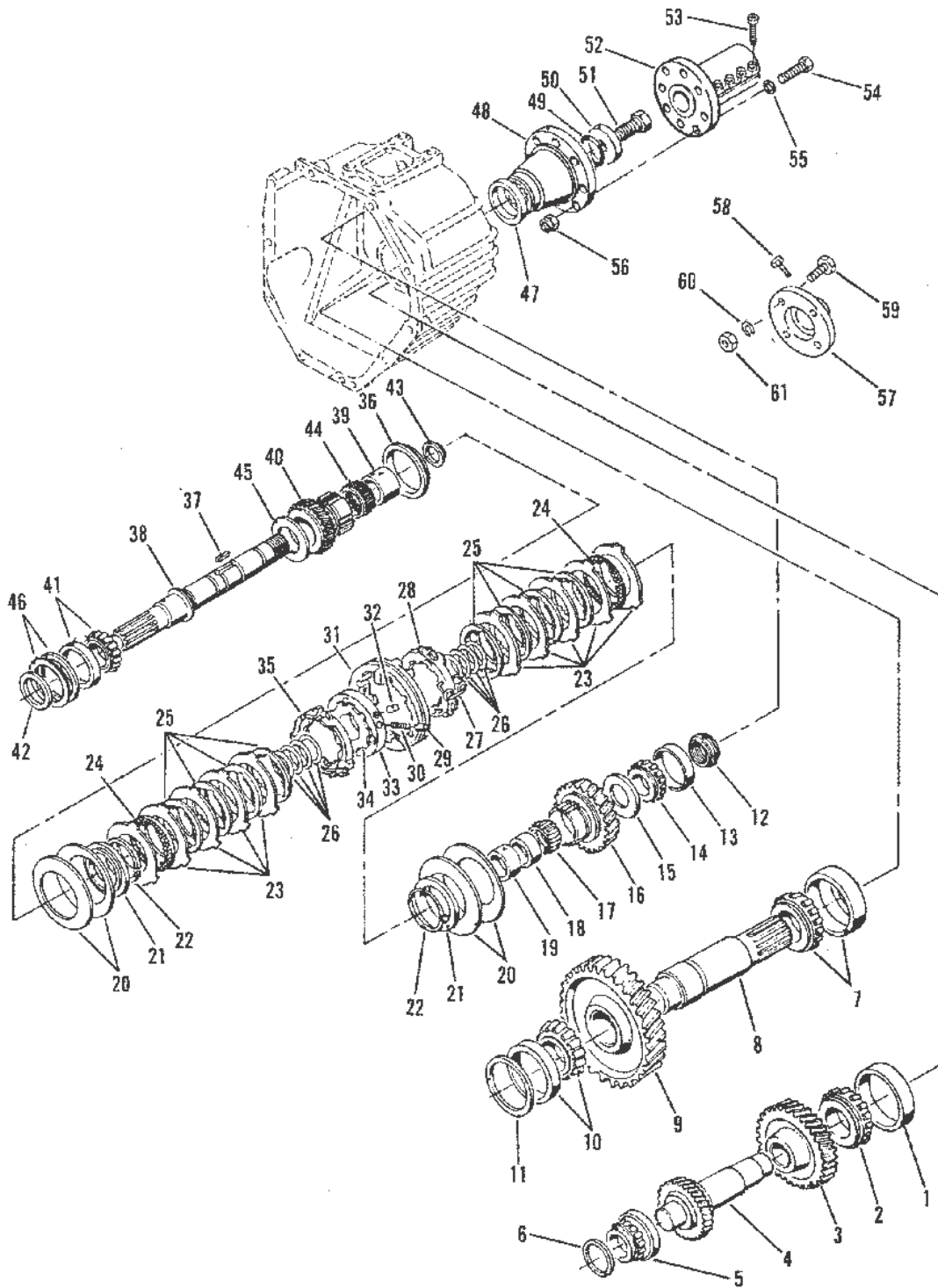
Cat.# 90-81361493

Transmission (Inline) (Internal Components)

Ref #	Part Class	Part Number	Description	Comments	Qty	Note
27	0024	801761988	SPRING		3	

Transmission (Inline) (Internal Components)

Transmission (Inline) (Internal Component) Continued



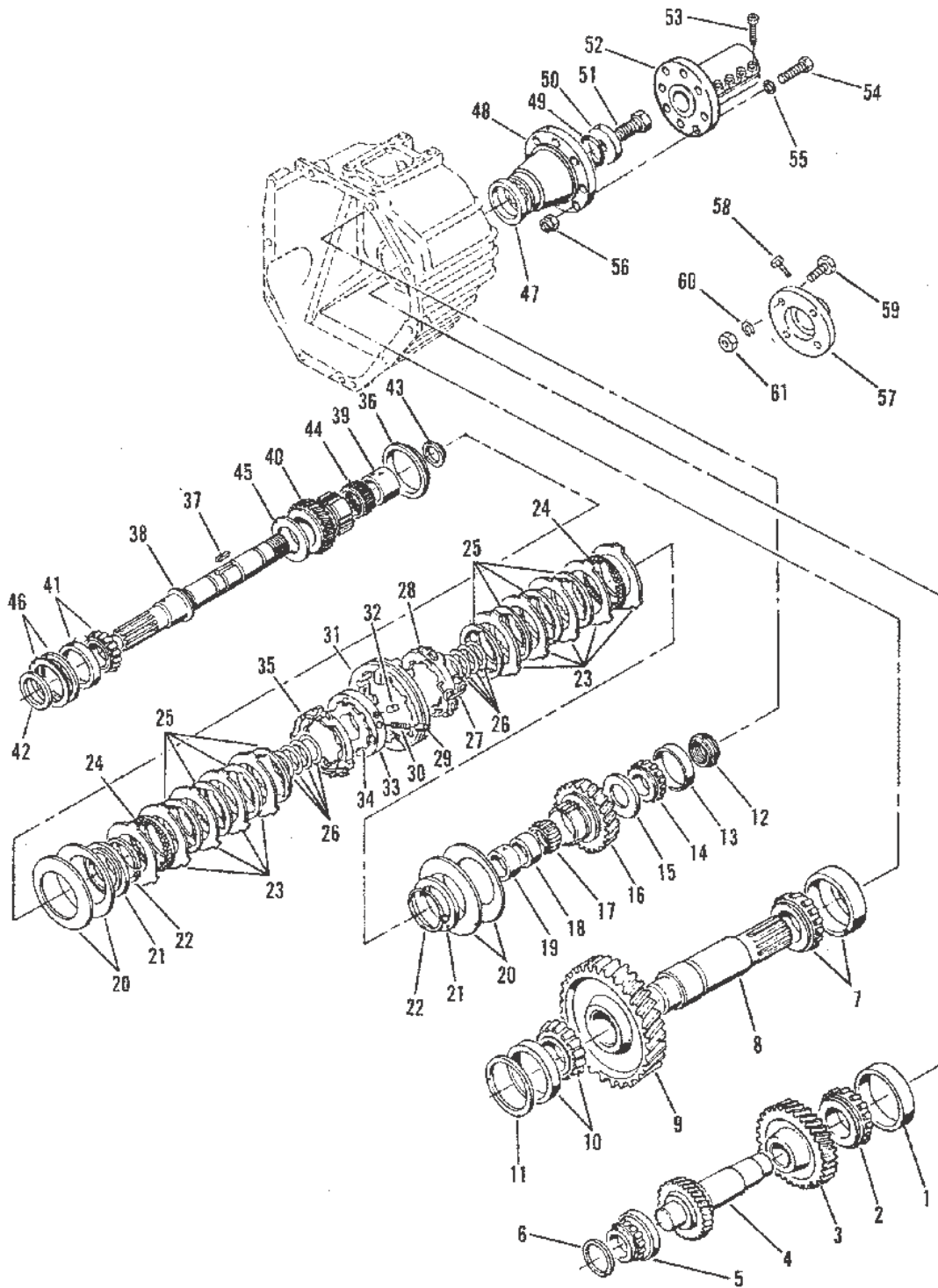
13598

Transmission (Inline) (Internal Component) Continued

Ref #	Part Class	Part Number	Description	Comments	Qty	Note
-	0000	801763547	TRANSMISSION (1.5:1 Ratio)		1	
-	0000	801763548	TRANSMISSION (2.0:1 Ratio)		1	
-	0000	801763549	TRANSMISSION (3.0:1 Ratio)		1	
28	0000	801761985	DISC CARRIER		1	
29	0017	801328202	PIN Retaining		3	
30	0017	801328202	PIN Retaining		3	
31	0000	801328205	SLEEVE		1	
32	0017	801328203	PIN		3	
33	0000	801761980	SLEEVE		1	
34	0030	809986298	BALL		6	
35	0000	801761979	DISC CARRIER		1	
36	0000	801761939	RING (1.5:1 And 2.0:1 Ratio)		1	
36	0000	801761940	RING (3.0:1 Ratio)		2	
37	0028	801328180	KEY		2	
38	0000	801761947	DRIVESHAFT		1	
39	0023	801761981	SPACER SOCKET		1	
40	0043	801761971	GEAR (1.5:1 Ratio)		1	
40	0043	801761972	GEAR (2.0:1 Ratio)		1	
40	0043	801761973	GEAR (3.0:1 Ratio)		1	
41	0031	809985082	BEARING Roller		1	
42	0025	801761946	O-RING		1	
43	0023	801761991	SPACER		1	
44	0031	801761944	BEARING Roller		1	
45	0012	801761987	THRUST WASHER		1	
46	0015	801328222	SHIM (.10MM)		1	
46	0015	801328223	SHIM (.15MM)		1	
46	0015	801328224	SHIM (.30MM)		1	
46	0015	801328225	SHIM (.50MM)		1	
46	0015	801328226	SHIM (1.00MM)		1	
47	0025	801761948	O-RING		1	
48	0000	801761936	FLANGE		1	
49	0025	801761949	O-RING		1	
50	0012	801761950	WASHER		1	
51		801991398	SCREW		1	
52	0000	19559A1	FLANGE (30MM) Use With Metric Shaft		AR	[1]
52	0000	19560A1	FLANGE (30MM) Use With Metric Shaft		AR	[1]
52	0000	19561A1	FLANGE (40MM) Use With Metric Shaft		AR	[1]
52	0000	19562A1	FLANGE (45MM) Use With Metric Shaft		AR	[1]
53	0010	4007640	SCREW Use With Metric Shaft		8	
54	0010	40001260	SCREW (M12 x 45) Use With Metric Shaft		AR	
55	0013	400249	LOCKWASHER Use With Metric Shaft		8	

Transmission (Inline) (Internal Component) Continued

Transmission (Inline) (Internal Component) Continued



13598

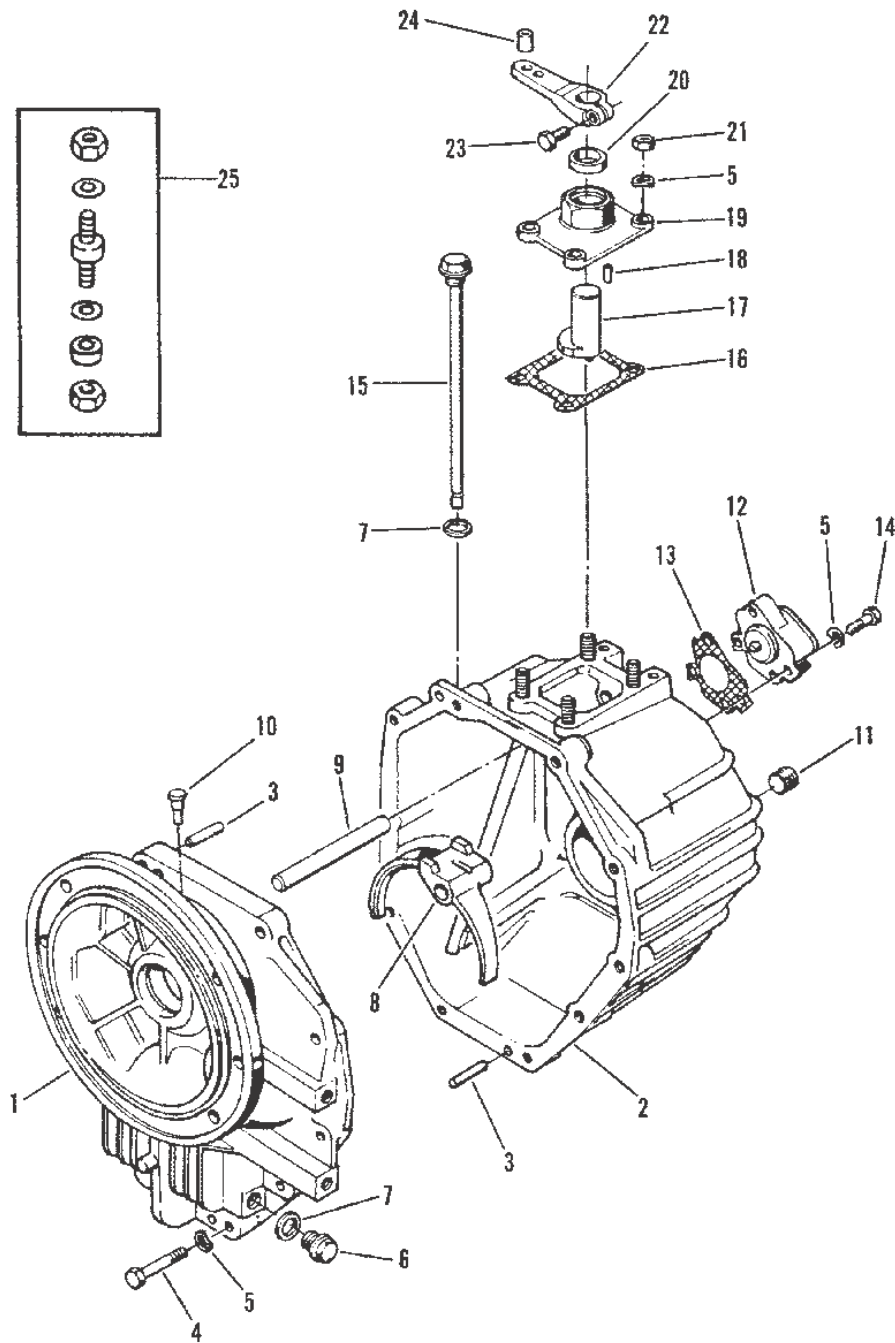
Transmission (Inline) (Internal Component) Continued

Ref #	Part Class	Part Number	Description	Comments	Qty	Note
56	0011	4002016	NUT Use With Metric Shaft		8	
57	0000	79476A1	FLANGE ASSEMBLY (5.00 x 1.00) (1.00") Use With English Shaft		AR	[1]
57	0000	79476A2	FLANGE ASSEMBLY (5.00 x 1.125) (1.125") Use With English Shaft		AR	[1]
57	0000	79476A3	FLANGE ASSEMBLY (5.00 x 1.25) (1.250") Use With English Shaft		AR	[1]
57	0000	79476A4	FLANGE ASSEMBLY (5.00 x 1.375) (1.375") Use With English Shaft		AR	[1]
57	0000	79476A5	FLANGE ASSEMBLY (5.00 x 1.50) (1.50") Use With English Shaft		AR	[1]
57	0000	79476A6	FLANGE ASSEMBLY (5.00 x 1.75) (1.750") Use With English Shaft		AR	[1]
57	0000	79476A7	FLANGE ASSEMBLY (5.00 x 2.00) (2.00") Use With English Shaft		AR	[1]
58	0010	60171	SCREW (.375-16 x 1.250) Use With English Shaft		2	
58	0010	60169	SCREW (.375-16 x .750) Use With English Shaft		2	
59	0010	52498	SCREW (.437-20 x 1.500) Use With English Shaft		4	
60	0013	32993	LOCKWASHER (.437) Use With English Shaft		4	
61	0011	22024	NUT (.437-14) Use With English Shaft		4	

PART NOTES:

[1] - Optional

Transmission (8 Degree Down) (Outer Housing)

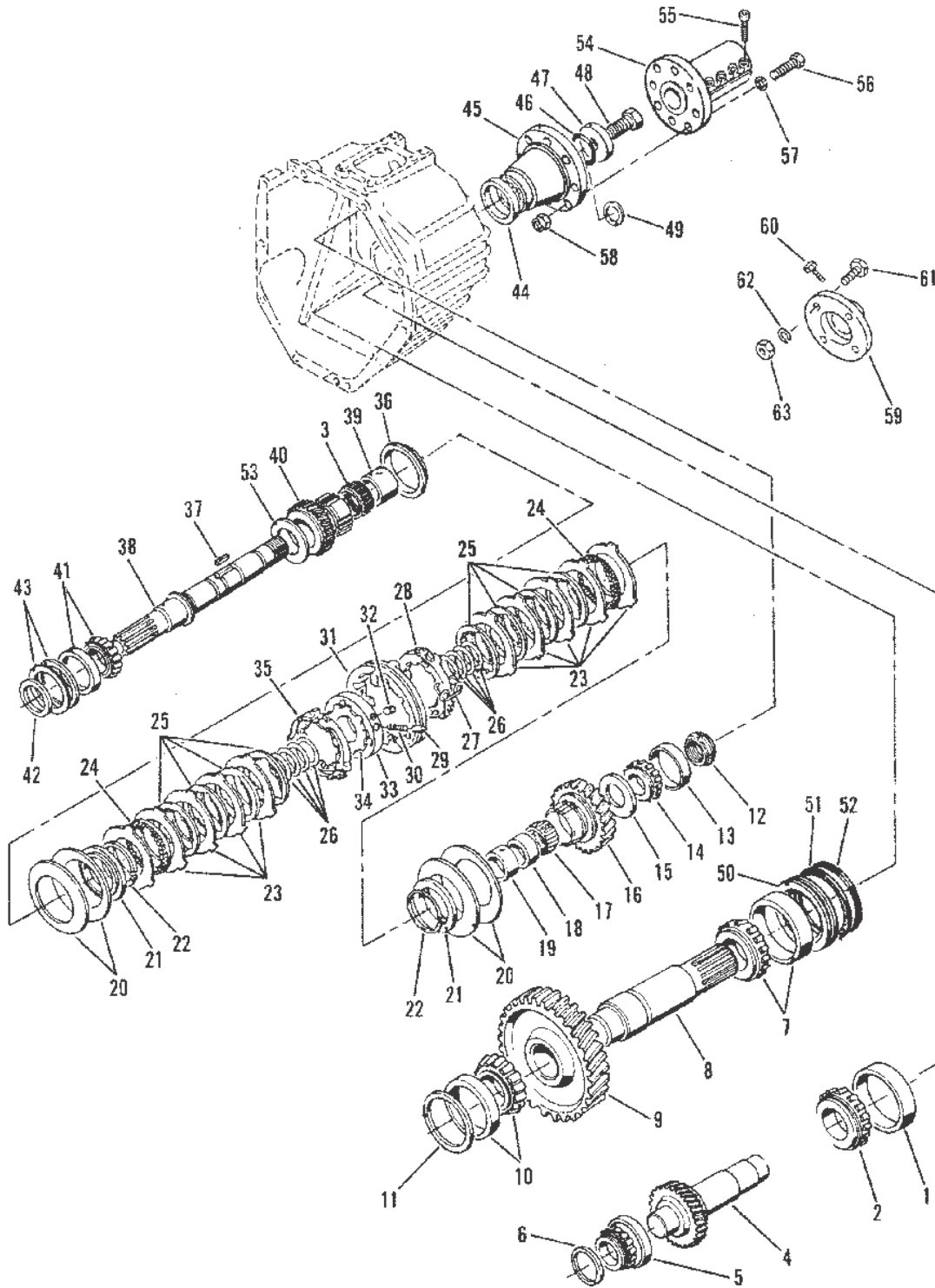


13599

Transmission (8 Degree Down) (Outer Housing)

Ref #	Part Class	Part Number	Description	Comments	Qty	Note
-	0000	801763554	TRANSMISSION (1.5:1 Ratio)		1	
-	0000	801763555	TRANSMISSION (2.0:1 Ratio)		1	
-	0000	801763556	TRANSMISSION (3.0:1 Ratio)		1	
1	0000	801761997	COVER		1	
2	0000	801761998	HOUSING		1	
3	0017	801763085	PIN		1	
4	0010	809913676	SCREW		16	
5	0013	809932095	LOCKWASHER		6	
6	0010	801331262	BOLT		1	
7	0025	809963252	O-RING		2	
8	0000	801761952	SHIFT FORK		1	
9	0000	801761489	SHIFT ROD		1	
10	0010	801761990	SCREW		1	
11	0019	809919016	PLUG		1	
12	0000	801761935	PUMP Oil		1	

Transmission (8 Degree Down) (Internal Components)



13600

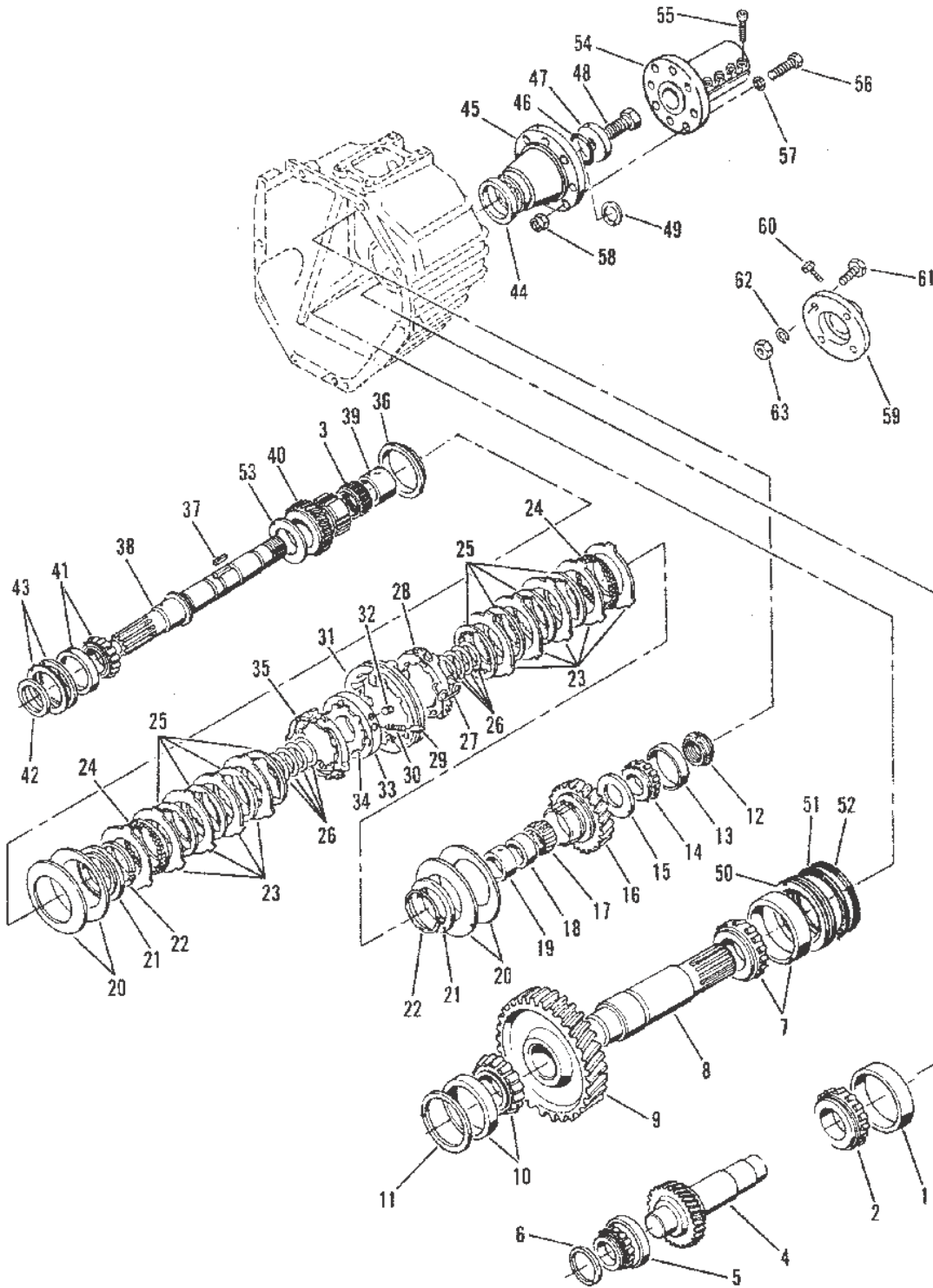
Transmission (8 Degree Down) (Internal Components)

Transmission (8 Degree Down) (Internal Components)

Ref #	Part Class	Part Number	Description	Comments	Qty	Note
-	0000	801763554	TRANSMISSION (1.5:1 Ratio)		1	
-	0000	801763555	TRANSMISSION (2.0:1 Ratio)		2	
-	0000	801763556	TRANSMISSION (3.0:1 Ratio)		1	
1	0031	801328390	BEARING Roller		1	
2	0031	801328389	BEARING Roller		1	
3	0031	801761944	BEARING Roller		1	
4	0000	801763067	SHAFT Pinion (1.5:1 Ratio)		1	
4	0000	801763068	SHAFT Pinion (2.0:1 Ratio)		1	
4	0000	801763069	SHAFT Pinion (3.0:1 Ratio)		4	
5	0031	801761994	BEARING Roller		1	
6	0015	801761962	SHIM (.01 MM)		1	
6	0015	801761963	SHIM (.15 MM)		1	
6	0015	801761964	SHIM (.20 MM)		1	
6	0015	801761965	SHIM (.50 MM)		AR	[1]
6	0015	801761966	SHIM (1.00 MM)		AR	[1]
7	0031	801763075	BEARING Roller		1	
8	0045	801763070	OUTPUT SHAFT		1	
9	0045	801763071	OUTPUT GEAR WHEEL (1.5:1 Ratio)		1	
9	0043	801763072	OUTPUT GEAR WHEEL (2.0:1 Ratio)		1	
9	0043	801763073	OUTPUT GEAR WHEEL (3.0:1 Ratio)		1	
10	0031	801763074	BEARING Roller		1	
11	0015	801763086	SHIM (.10 MM)		AR	[1]
11	0015	801763087	SHIM (.15 MM)		AR	[1]
11	0015	801763088	SHIM (.30 MM)		AR	[1]
11	0015	801763089	SHIM (.50 MM)		AR	[1]
12	0011	801761974	NUT		1	
13	0031	801328408	BEARING Roller		1	
14	0031	801328409	BEARING Roller		1	
15	0012	801761984	THRUST WASHER		1	
16	0043	801761970	GEAR		1	
17	0031	801330602	NEEDLE CAGE		1	
18	0031	801328181	BEARING Roller		1	
19	0023	801761982	BUSHING		1	
20	0024	801761975	SPRING		4	
21	0000	801761977	DISC		1	
22	0000	801761983	HALF RING		2	
23	0000	801761978	OUTER DISC		4	
24		801961989	INNER DISC		2	
25	0000	801332418	INNER DISC		6	
26	0015	801328174	SHIM (.04 MM)		AR	[1]
27	0015	801328175	SHIM (.05 MM)		AR	[1]
28	0015	801328176	SHIM (.06 MM)		AR	[1]
29	0015	801328177	SHIM (.07 MM)		AR	[1]
30	0024	801761988	SPRING		3	

Transmission (8 Degree Down) (Internal Components)

Transmission (8 Degree Down) (Internal Components)



13600

Transmission (8 Degree Down) (Internal Components)

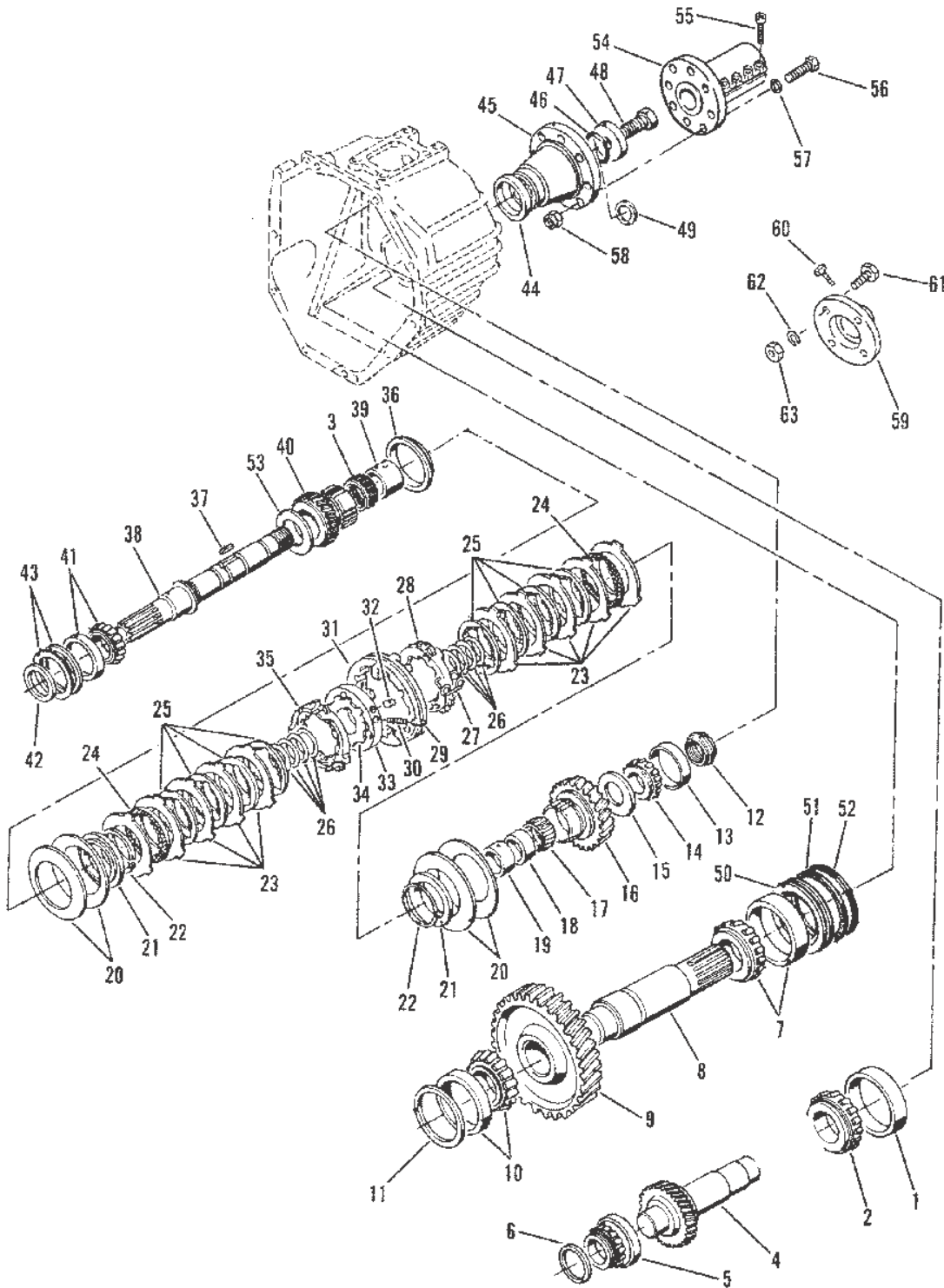
Cat.# 90-81361493

Transmission (8 Degree Down) (Internal Components)

PART NOTES:

[1] - As Required

Transmission (8 Degree Down) (Internal Component) Continued



13601

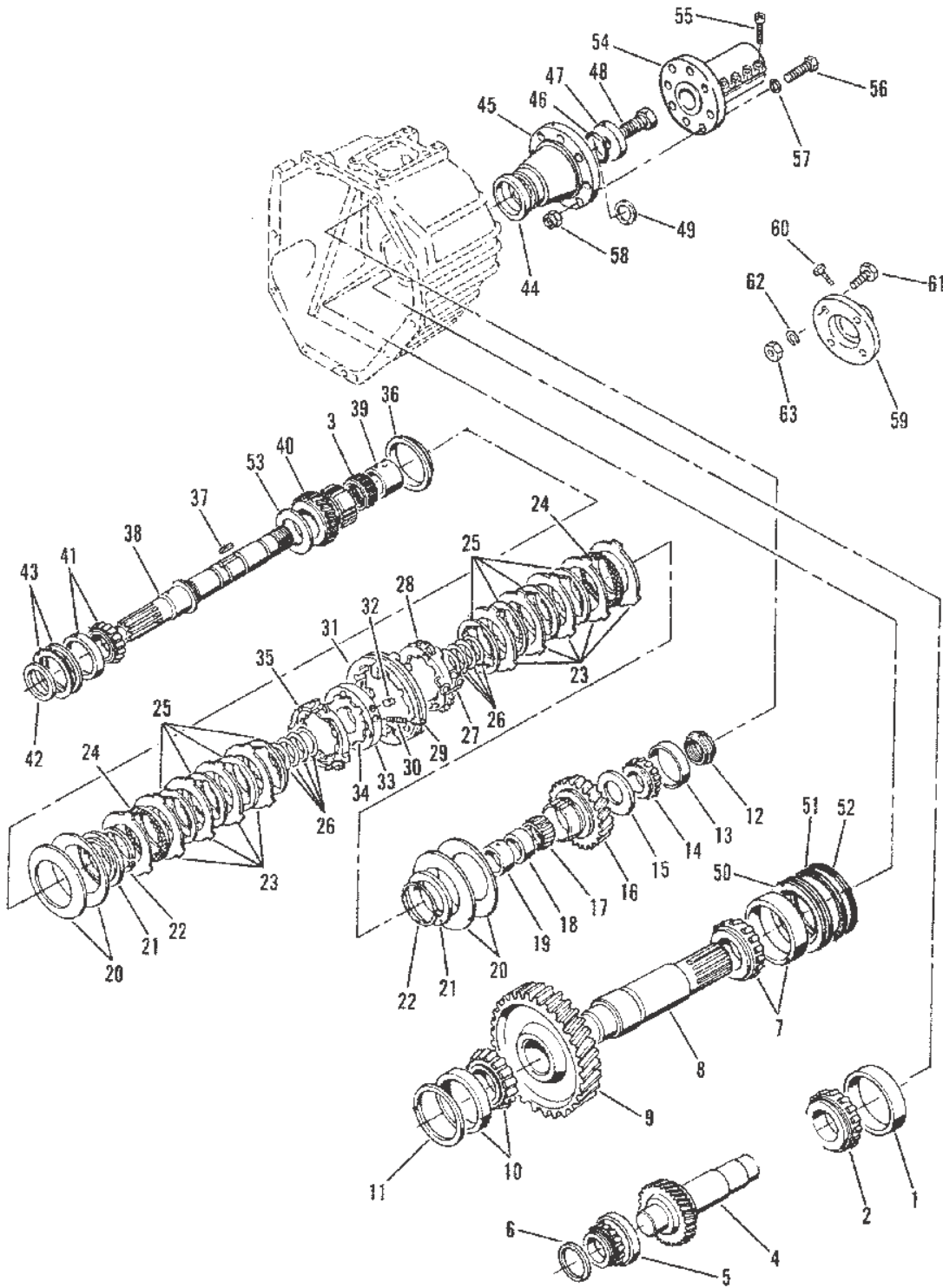
Transmission (8 Degree Down) (Internal Component) Continued

Transmission (8 Degree Down) (Internal Component) Continued

Ref #	Part Class	Part Number	Description	Comments	Qty	Note
-	0000	801763554	TRANSMISSION (1.5:1 Ratio)		1	
-	0000	801763555	TRANSMISSION (2.0:1 Ratio)		1	
-	0000	801763556	TRANSMISSION (3.0:1 Ratio)		1	
28	0000	801761985	DISC CARRIER		1	
29	0017	801328202	PIN Retaining		3	
30	0024	801328162	SPRING		3	
31	0000	801328205	SLEEVE		1	
32	0017	801328203	PIN		3	
33	0000	801761980	SLEEVE		1	
34	0030	809986298	BALL		6	
35	0000	801761979	DISC CARRIER		1	
36	0000	801761939	RING (1.5:1 AND 2.0:1 Ratio)		1	
36	0000	801761940	RING (3.0:1 Ratio)		2	
37	0028	801328180	KEY		2	
38	0000	801761947	DRIVESHAFT		1	
39	0023	801761981	SPACER SOCKET		1	
40	0043	801761971	GEAR (1.5:1 Ratio)		1	
40	0043	801761972	GEAR (2.0:1 Ratio)		1	
40	0043	801761973	GEAR (3.0:1 Ratio)		1	
41	0031	809985082	BEARING Roller		1	
42	0025	801761946	O-RING		1	
43	0015	801328222	SHIM (.10MM)		1	
43	0015	801328223	SHIM (.15 MM)		1	
43	0015	801328224	SHIM (.30 MM)		1	
43	0015	801328225	SHIM (.50 MM)		1	
43	0015	801328226	SHIM (1.00 MM)		1	
44	0025	801763077	O-RING		1	
45	0000	801761936	FLANGE		1	
46	0025	801763076	O-RING		1	
47	0012	801761950	WASHER		1	
48	0010	809913908	SCREW		1	
49	0015	801763081	SHIM (.10 MM)		1	
49	0015	801763082	SHIM (.15 MM)		1	
49	0015	801763083	SHIM (.50 MM)		1	
49	0015	801763084	SHIM (1.00 MM)		1	
50	0000	801763078	COVER		1	
51	0025	801763076	O-RING		1	
52	0053	801763080	RING Retaining		1	
53	0012	801761987	THRUST WASHER		1	
54	0000	19559A1	FLANGE (30 MM) Use With Metric Shaft		OPT	[1]
54	0000	19560A1	FLANGE (35MM) Use With Metric Shaft		OPT	[1]
54	0000	19561A1	FLANGE (40 MM) Use With Metric Shaft		OPT	[1]
54	0000	19562A1	FLANGE (45 MM) Use With Metric Shaft		OPT	[1]

Transmission (8 Degree Down) (Internal Component) Continued

Transmission (8 Degree Down) (Internal Component) Continued



13601

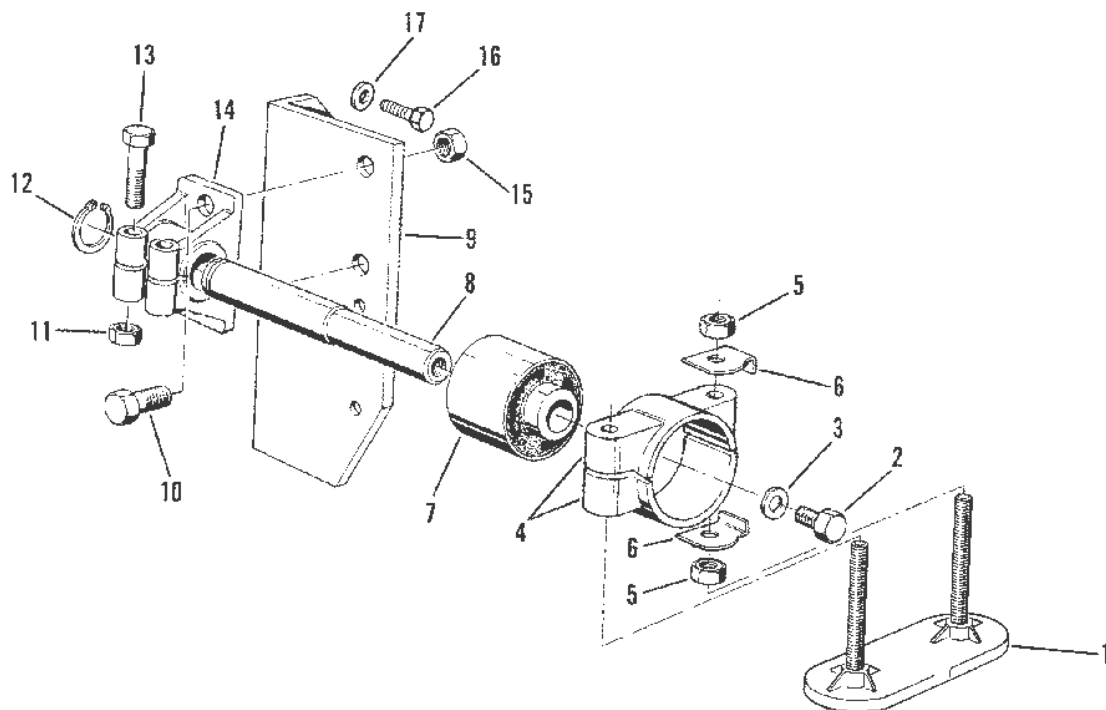
Transmission (8 Degree Down) (Internal Component) Continued

Ref #	Part Class	Part Number	Description	Comments	Qty	Note
55	0010	4007640	SCREW Use With Metric Shaft		8	
56	0010	40001260	SCREW (M12 x 45) Use With Metric Shaft		8	
57	0013	400249	LOCKWASHER Use With Metric Shaft		8	
58	0011	4002016	NUT Use With Metric Shaft		8	
59	0000	79476A1	FLANGE ASSEMBLY (5.00 x 1.00) (1.00") Use With Metric Shaft		OPT	[1]
59	0000	79476A1	FLANGE ASSEMBLY (5.00 x 1.00) (1.125") Use With English Shaft		OPT	[1]
59	0000	79476A2	FLANGE ASSEMBLY (5.00 x 1.125) (1.25") Use With English Shaft		OPT	[1]
59	0000	79476A3	FLANGE ASSEMBLY (5.00 x 1.25) (1.375") Use With English Shaft		OPT	[1]
59	0000	79476A4	FLANGE ASSEMBLY (5.00 x 1.375) (1.50") Use With English Shaft		OPT	[1]
59	0000	79476A6	FLANGE ASSEMBLY (5.00 x 1.75) (1.75") Use With English Shaft		OPT	[1]
59	0000	79476A7	FLANGE ASSEMBLY (5.00 x 2.00) (2.00") Use With English Shaft		2	
60	0010	60171	SCREW (.375-16 x 1.250) Use With English Shaft		2	
61	0010	60169	SCREW (.375-16 x .750) Use With English Shaft		2	
60	0010	52498	SCREW (.437-20 x 1.500) Use With English Shaft		4	
62	0013	32993	LOCKWASHER (.437) Use With English Shaft		4	
63	0011	22024	NUT (.437-14) Use With English Shaft		4	

PART NOTES:

[1] - Optional

Transmission Mounting (Mechanical Transmission)

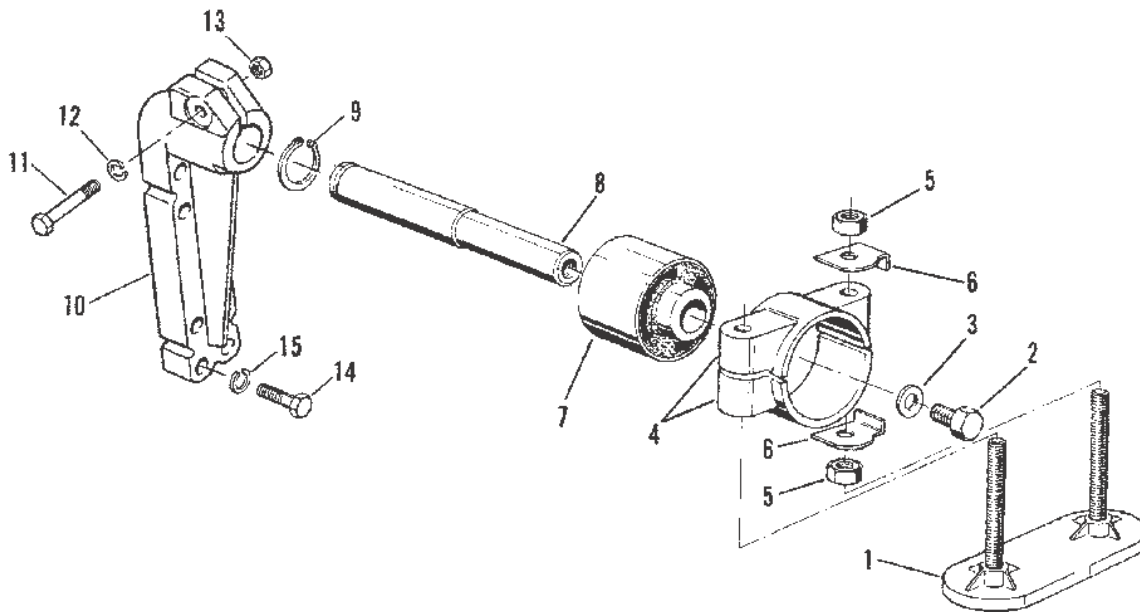


13602

Transmission Mounting (Mechanical Transmission)

Ref #	Part Class	Part Number	Description	Comments	Qty	Note
1	0000	801765040	BASE		2	
2	0010	809913815	SCREW		2	
3	0012	809936436	WASHER		2	
4	0000	801765035	HOUSING		2	
5	0011	809923100	NUT		8	
6	0014	801765045	WASHER Tab		8	
7	0023	801763874	BUSHING		2	
8	0017	801763900	PIN		2	
9	0000	801765042	BRACKET		2	
10	0010	809913837	SCREW		4	
11	0011	809922426	NUT		4	
12	0053	809934175	RING		2	
13	0010	809912524	SCREW		4	
14	0000	801761389	BRACKET		2	
15	0011	809922430	NUT		4	
16	0010	809913889	SCREW		4	
17	0012	809931084	WASHER		4	

Transmission Mounting (Hydraulic Transmission)

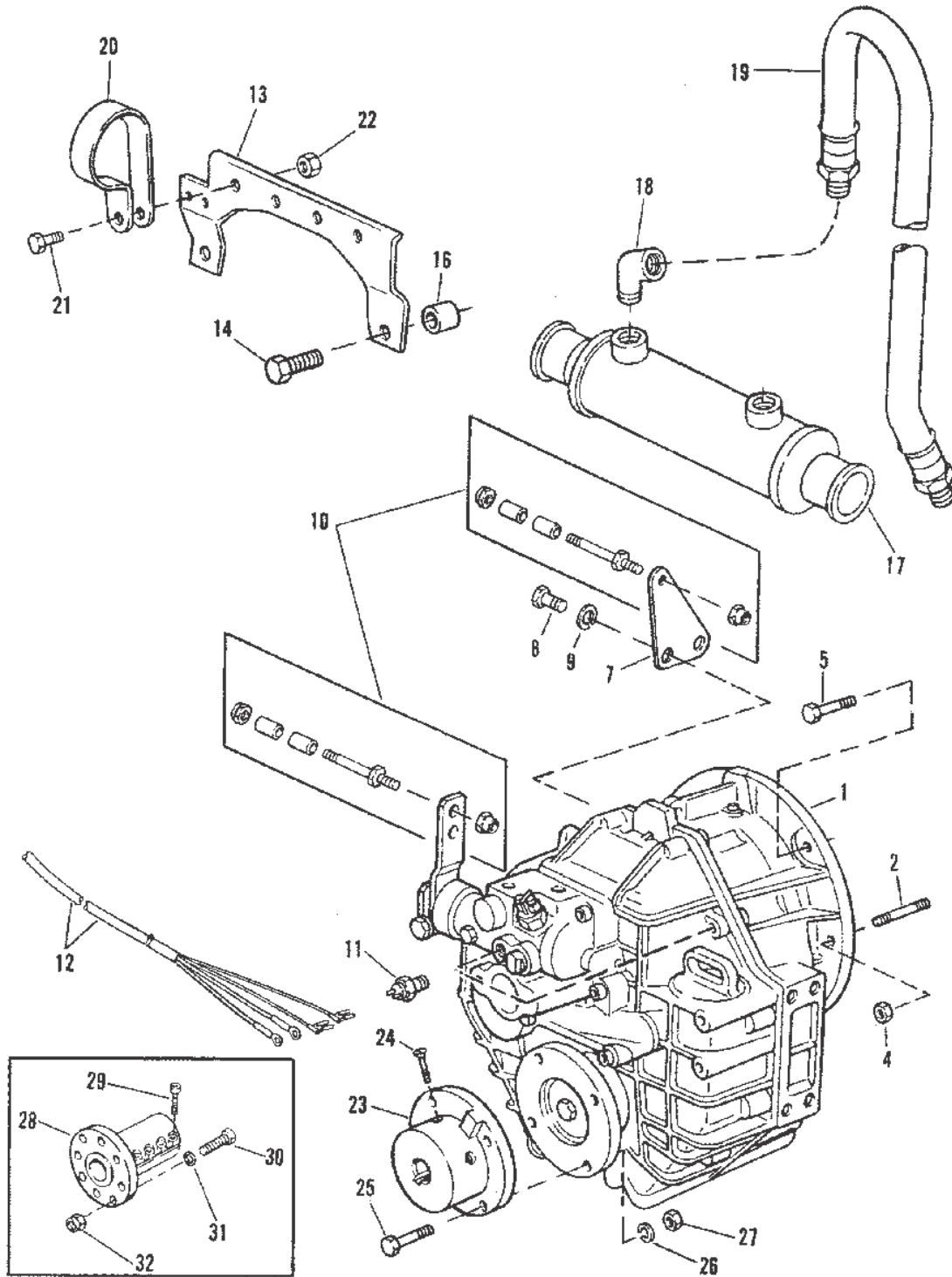


13603

Transmission Mounting (Hydraulic Transmission)

Ref #	Part Class	Part Number	Description	Comments	Qty	Note
1	0000	801765040	BASE		2	
2	0010	809913815	SCREW		2	
3	0012	809936436	WASHER		2	
4	0000	801765035	HOUSING		2	
5	0011	809923100	NUT		8	
6	0014	801765045	WASHER		8	
7	0014	801765045	WASHER		2	
8	0017	801763900	PIN		2	
9	0017	801763900	PIN		2	
10	0053	809934175	RING		2	
11	0010	809913859	SCREW		2	
12	0013	809931076	LOCKWASHER		2	
13	0011	809922113	NUT		2	
14	0010	4007745	SCREW		8	
15	0013	809933127	LOCKWASHER		8	

Transmission And Related Parts Hydraulic Transmission)



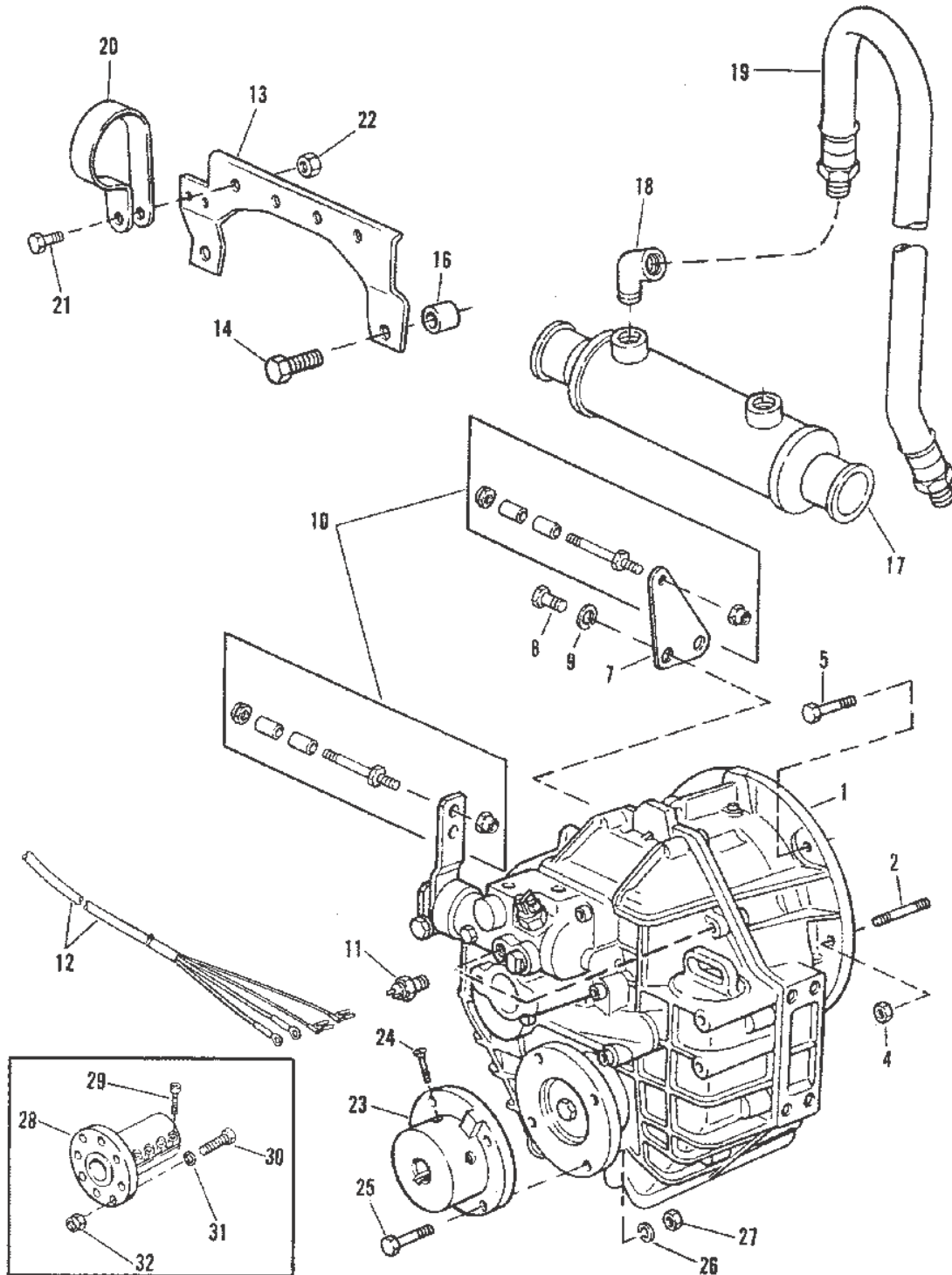
13604

Transmission And Related Parts Hydraulic Transmission)

Ref #	Part Class	Part Number	Description	Comments	Qty	Note
1	0000	18900A1	TRANSMISSION (1.5:1 Ratio)		1	[1]
1	0000	18901A1	TRANSMISSION (2.0:1 Ratio)		1	[2]
1	0000	18902A1	TRANSMISSION (2.5:1 Ratio)		1	[3]
2	0016	910002	STUD		2	
4	0011	400214	NUT (M10) Stainless Steel		2	
5	0010	809913837	SCREW		2	
7	0000	816699	BRACKET		1	
8	0010	809919969	SCREW		2	
9	0013	809930840	LOCKWASHER		2	
10	0016	97477A3	STUD KIT		2	
11	0087	813708	SWITCH Tempature		1	
12	0084	814181A1	HARNESS ASSEMBLY		1	
13	0000	801326972	BRACKET		1	
14	0010	809913851	SCREW		2	
16	0023	45353	SPACER		2	
17	0000	63832A1	COOLER		1	
18	0022	47629	ELBOW 90 Degree		2	
19	0032	8126994	HOSE		2	
20	0054	18904	CLIP		2	
21	0010	809913624	SCREW		2	
22	0011	809922426	NUT		2	
23	0000	79476A1	FLANGE ASSEMBLY (5.00 x 1.00)	(Use With English Shaft)	OPT	[4]
23	0000	79476A2	FLANGE ASSEMBLY (5.00 x 1.125)	(Use With English Shaft)	OPT	[4]
23	0000	79476A3	FLANGE ASSEMBLY (5.00 x 1.25)	(Use With English Shaft)	OPT	[4]
23	0000	79476A4	FLANGE ASSEMBLY (5.00 x 1.375)	(Use With English Shaft)	OPT	[4]
23	0000	79476A5	FLANGE ASSEMBLY (5.00 x 1.50)	(Use With English Shaft)	OPT	[4]
23	0000	79476A6	FLANGE ASSEMBLY (5.00 x 1.75)	(Use With English Shaft)	OPT	[4]
23	0000	79476A7	FLANGE ASSEMBLY (5.00 x 2.00)	(Use With English Shaft)	OPT	[4]
24	0010	60171	SCREW (.375-16 x 1.250) Flange	(Use With English Shaft)	2	
24	0010	60169	SCREW (.375-16 x .750) Flange	(Use With English Shaft)	2	
25	0010	52498	SCREW (.437-20 x 1.500) Flange	(Use With English Shaft)	4	
26	0013	32993	LOCKWASHER (.437)	(Use With English Shaft)	4	
27	0011	22024	NUT (.437-14)	(Use With English Shaft)	4	
28	0000	19559A1	FLANGE (30 MM)	(Use With English Shaft)	OPT	[4]
28	0000	19560A1	FLANGE (35 MM)	(Use With Metric Shaft)	OPT	[4]
28	0000	19561A1	FLANGE (40 MM)	(Use With Metric Shaft)	OPT	[4]
28	0000	19562A1	FLANGE (45 MM)	(Use With Metric Shaft)	OPT	[4]
29	0010	4007640	SCREW	(Use With Metric Shaft)	8	
30	0010	40001260	SCREW (M12 x 45)	(Use With Metric Shaft)	8	
31	0013	400249	LOCKWASHER	(Use With Metric Shaft)	8	
32	0011	4002016	NUT	(Use With Metric Shaft)	8	

Transmission And Related Parts Hydraulic Transmission)

Transmission And Related Parts Hydraulic Transmission)



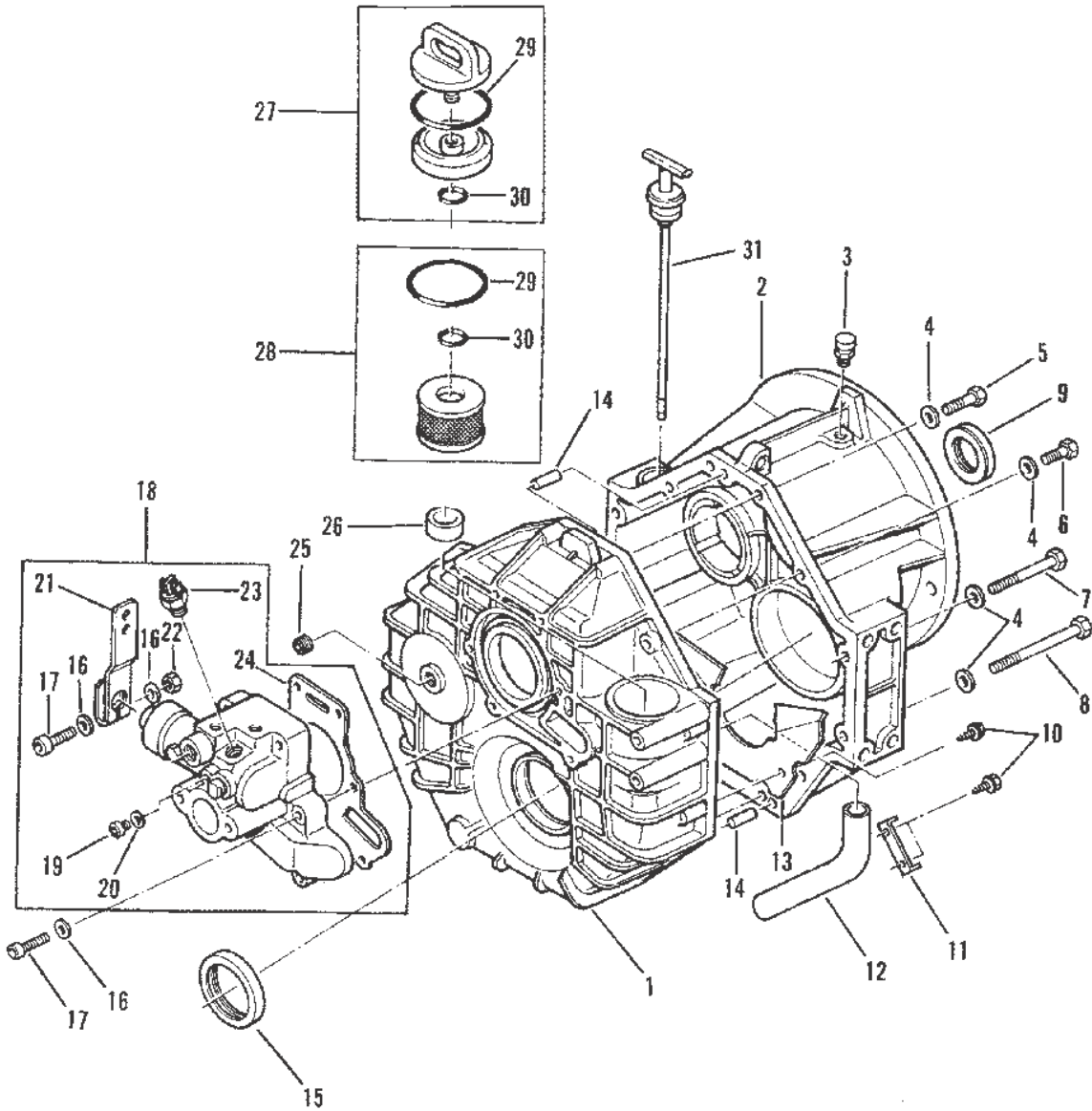
13604

Transmission And Related Parts Hydraulic Transmission)

PART NOTES:

- [1] - Alternate part numbers:
18900A 1QS
863744R02Reman
- [2] - Alternate part numbers:
18901A 1QS
863744R03Reman
- [3] - Alternate part numbers:
18902A 1QS
863744R04Reman
- [4] - Optional

Transmission Assembly (Hydraulic Transmission)



13605

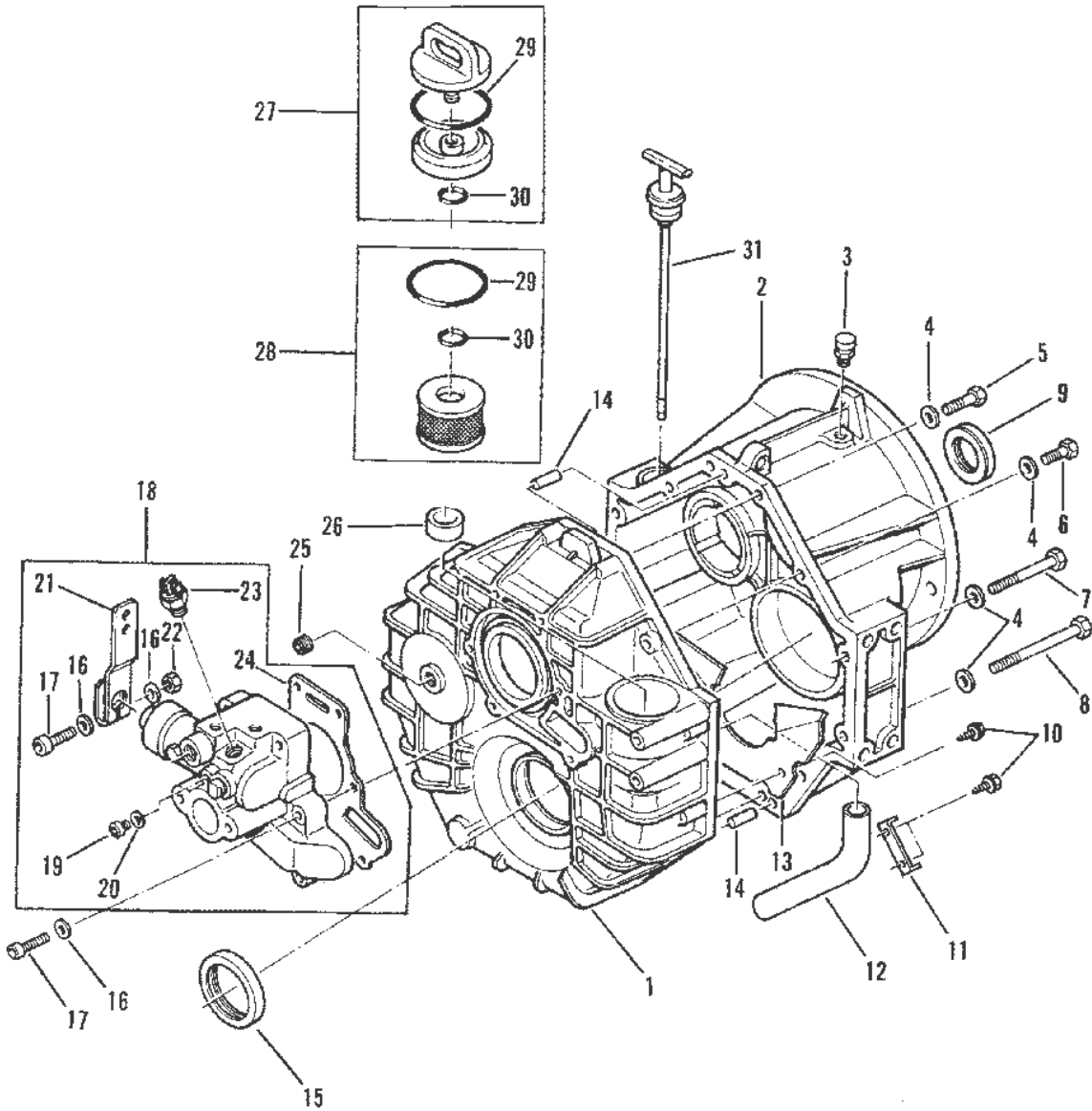
Transmission Assembly (Hydraulic Transmission)

Ref #	Part Class	Part Number	Description	Comments	Qty	Note
-	0000	18900A1	TRANSMISSION (1.5:1 Ratio) (1.5:1 Ratio)		1	[1]
-	0000	18901A1	TRANSMISSION (2.0:1 Ratio)		1	[2]
-	0000	18902A1	TRANSMISSION (2.5:1 Ratio) (2.5:1 Ratio)		1	[3]
1	0000	813278	HOUSING		1	
2	0000	813279	COVER		1	
3	0000	813280	VENT CAP		1	
4	0013	813281	LOCKWASHER		12	
5	0010	813282	SCREW		5	
6	0010	813283	SCREW		1	
7	0010	813284	SCREW		4	
8	0010	813285	SCREW		2	
9	0026	813286	SEAL		1	
10	0010	813287	SCREW		4	
11	0000	813288	PLATE Retaining		1	
12	0032	813289	HOSE		1	
13	0000	813290	PLATE Baffle		1	
14	0017	813291	PIN Dowel		2	
15	0026	813292	SEAL		1	
16	0013	813293	LOCKWASHER		7	
17	0010	813294	SCREW		7	
18	0000	813295	CONTROL BLOCK		1	
19	0010	813296	SCREW		1	
20	0012	813297	WASHER		1	
21	0000	813298	LEVER Shift		1	
22	0011	813299	NUT		1	
23	0087	813300	SWITCH		1	
24	0027	813301	GASKET		1	
25	0022	813302	PLUG		1	
26	0012	813303	WASHER		1	
27	0035	813304	COVER KIT		1	
28	0035	815419	FLUID FILTER KIT		1	
29	0025	813407	O-RING		1	
30	0025	813406	O-RING		1	
31	0000	813305	DIPSTICK		1	

PART NOTES:

- [1] - Alternate part numbers:
18900A 1QS
863744R02Reman
- [2] - Alternate part numbers:
18901A 1QS
863744R03Reman

Transmission Assembly (Hydraulic Transmission)



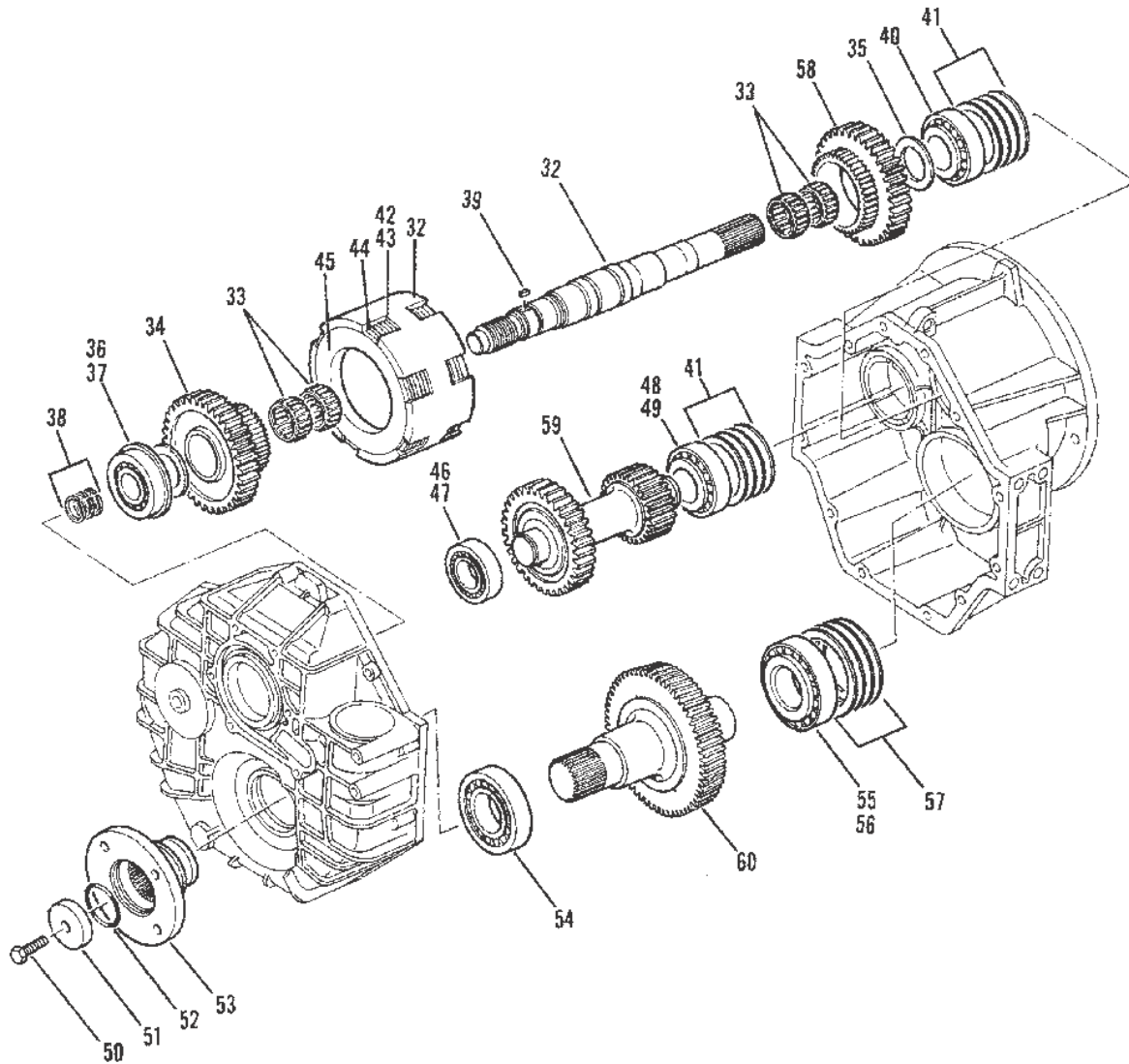
13605

Cat.# 90-81361493

Transmission Assembly (Hydraulic Transmission)

- [3] - Alternate part numbers:
18902A 1QS
863744R04Reman

Transmission Assembly (Hydraulic Transmission) Continued



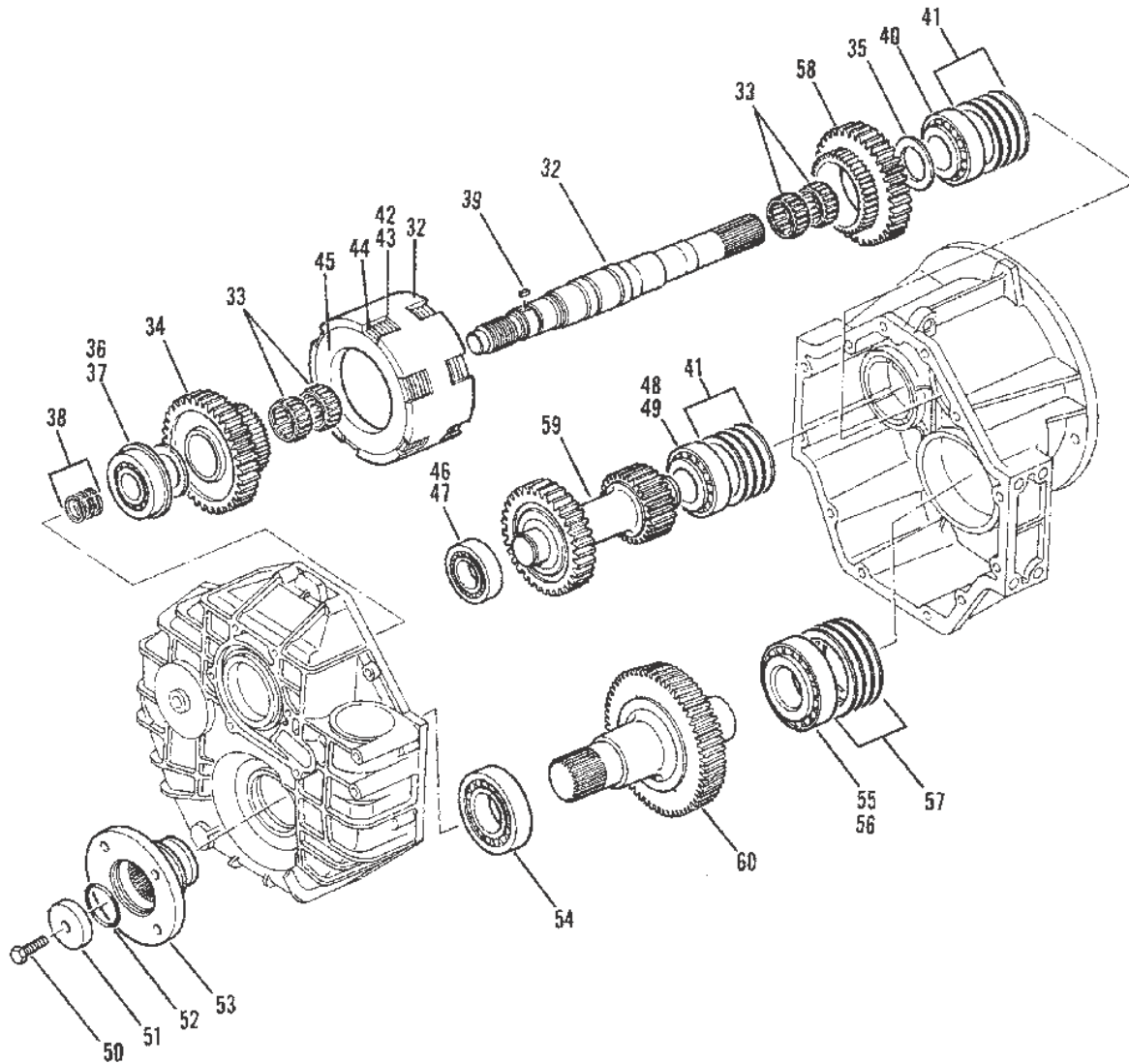
13606

Transmission Assembly (Hydraulic Transmission) Continued

Ref #	Part Class	Part Number	Description	Comments	Qty	Note
-	0000	18900A1	TRANSMISSION (1.5:1 Ratio) (1.5:1 Ratio)		1	[1]
-	0000	18901A1	TRANSMISSION (2.0:1 Ratio) (2.0:1 Ratio)		1	[2]
-	0000	18902A1	TRANSMISSION (2.5:1 Ratio) (2.5:1 Ratio)		1	[3]
1	0000	813306	SHAFT Input		1	
2	0031	813307	BEARING Roller		4	
3	0043	813308	GEAR		1	
4	0043	813308	GEAR		2	
5	0012	813309	WASHER Inner		1	
6	0031	813311	BEARING Tapered Roller Outer		1	
7	0053	813312	RING		3	
8	0028	813313	KEY		1	
9	0030	813314	BEARING		1	
10	0015	813315	SHIM (.10 mm)		1	
11	0015	813316	SHIM (.15 mm)		1	
12	0015	813317	SHIM (.20 mm)		1	
13	0015	813318	SHIM (.50 mm)		1	
14	0000	813319	DISC		4	
15	0000	813320	DISC		5	
16	0053	813321	RING		2	
17	0000	813322	PRESSURE DISC		2	
18	0031	813323	BEARING Tapered Roller Inner		1	
19	0031	813324	BEARING Tapered Roller Outer		1	
20	0031	813325	BEARING Tapered Roller Inner		1	
21	0031	813326	BEARING Tapered Roller Outer		1	
22	0010	813327	SCREW		1	
23	0023	813328	SPACER		1	
24	0025	813329	O-RING		1	
25	0000	813330	FLANGE Output		1	
26	0031	813331	BEARING Tapered Roller		1	
27	0031	813332	BEARING Tapered Roller Inner		1	
228	0031	813333	BEARING Tapered Roller Outer		1	
29	0015	813334	SHIM (.10 mm)		1	
30	0015	813335	SHIM (.15 mm)		1	
31	0015	813336	SHIM (.30 mm)		1	
32	0015	813337	SHIM (.50 mm)		1	
33	0043	813338	GEAR (1.5:1 Ratio)		1	
34	0000	813339	SHAFT Intermediate (1.5:1 Ratio)		1	
35	0000	813340	SHAFT Output (1.5:1 Ratio)		1	
36	0043	813341	GEAR (2.0:1 Ratio)		1	
37	0000	813342	SHAFT Intermediate (2.0:1 Ratio)		1	
38	0000	813342	SHAFT Intermediate (2.0:1 Ratio)		1	
39	0043	813344	GEAR (2.5:1 Ratio)		1	
40	0000	813345	SHAFT Intermediate (2.5:1 Ratio)		1	
41	0000	813346	SHAFT Output (2.5:1 Ratio)		1	

Transmission Assembly (Hydraulic Transmission) Continued

Transmission Assembly (Hydraulic Transmission) Continued



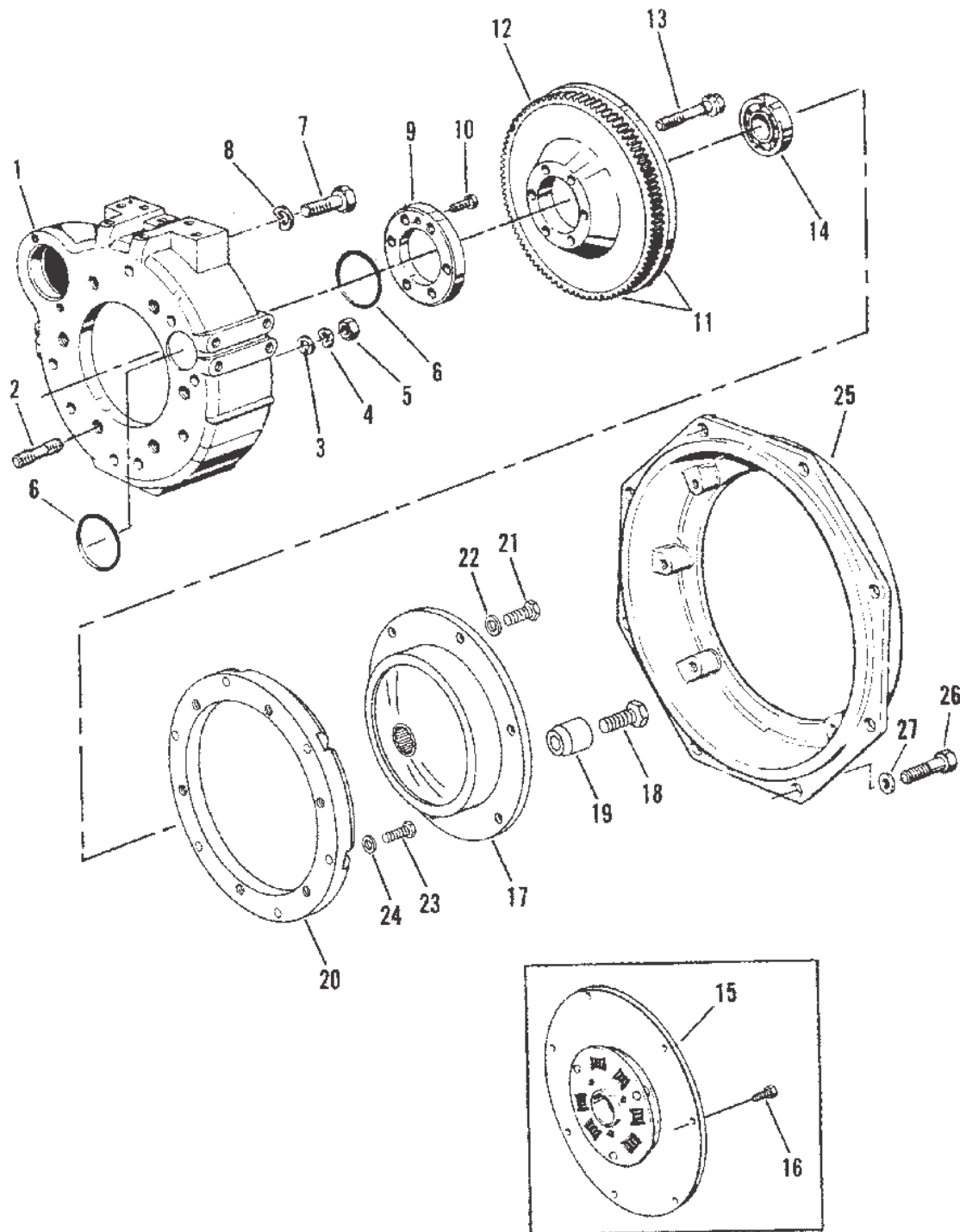
13606

Transmission Assembly (Hydraulic Transmission) Continued

PART NOTES:

- [1] - Alternate part numbers:
18900A 1QS
863744R02Reman
- [2] - Alternate part numbers:
18901A 1QS
863744R03Reman
- [3] - Alternate part numbers:
18902A 1QS
863744R04Reman

Flywheel Housing (Hydraulic Transmission)

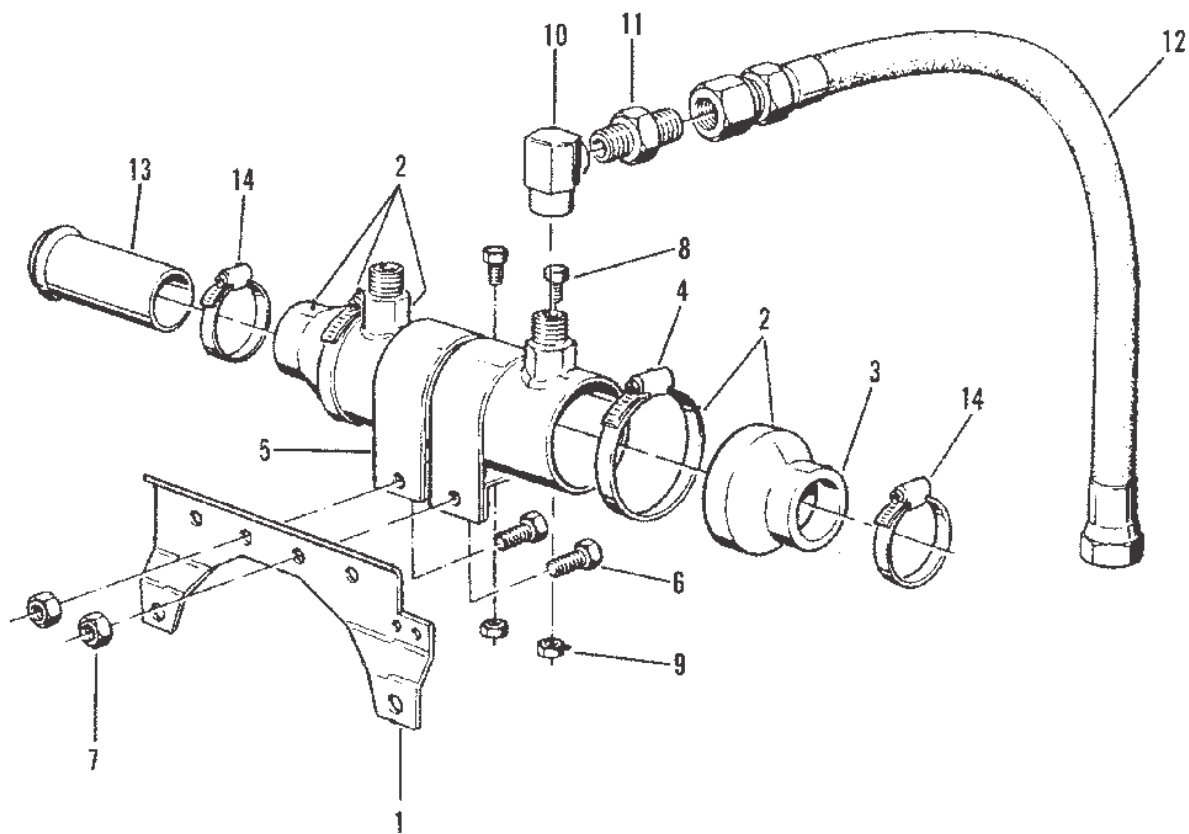


13607

Flywheel Housing (Hydraulic Transmission)

Ref #	Part Class	Part Number	Description	Comments	Qty	Note
1	0000	801331695	HOUSING Flywheel		1	
2	0016	809908402	STUD		2	
3	0012	809931067	WASHER		6	
4	0013	809932095	LOCKWASHER		6	
5	0011	400213	NUT (M8) Stainless Steel		6	
6	0025	801331619	O-RING		2	
7	0010	809913837	SCREW		9	
8	0013	809932112	LOCKWASHER		9	
9	0000	801331697	SPACER Flywheel		1	
10	0010	801331698	SCREW (M4 x 10)		1	
11	0265	801331699	FLYWHEEL		1	
12	0043	801331701	RING GEAR		1	
13	0010	811454	BOLT		6	
14	0030	801331702	BEARING Ball		1	
15	0052	801761771	COUPLER One -Stage Coupler		1	
16	0010	809913624	SCREW One -Stage Coupler		6	
17	0000	805045A4	COUPLING Two-Stage Coupler		1	
18	0010	80510915	SCREW Two-Stage Coupler		4	
19	0000	805110	SNUBBER Two-Stage Coupler		4	
20	0000	805064	ADAPTER Two-Stage Coupler		1	
21	0010	40001192	SCREW (M10 x 25) Two-Stage Coupler		6	
22	0013	400248	LOCKWASHER (M10) Two-Stage Coupler		6	
23	0010	40001134	SCREW (M8 x 25) Two-Stage Coupler		6	
24	0013	400247	LOCKWASHER (M8) Two-Stage Coupler		6	
25	0000	801333891	HOUSING		1	
26	0010	809913837	SCREW		8	
27	0013	809931076	LOCKWASHER		8	

Oil Cooler (Mechanical Transmission)

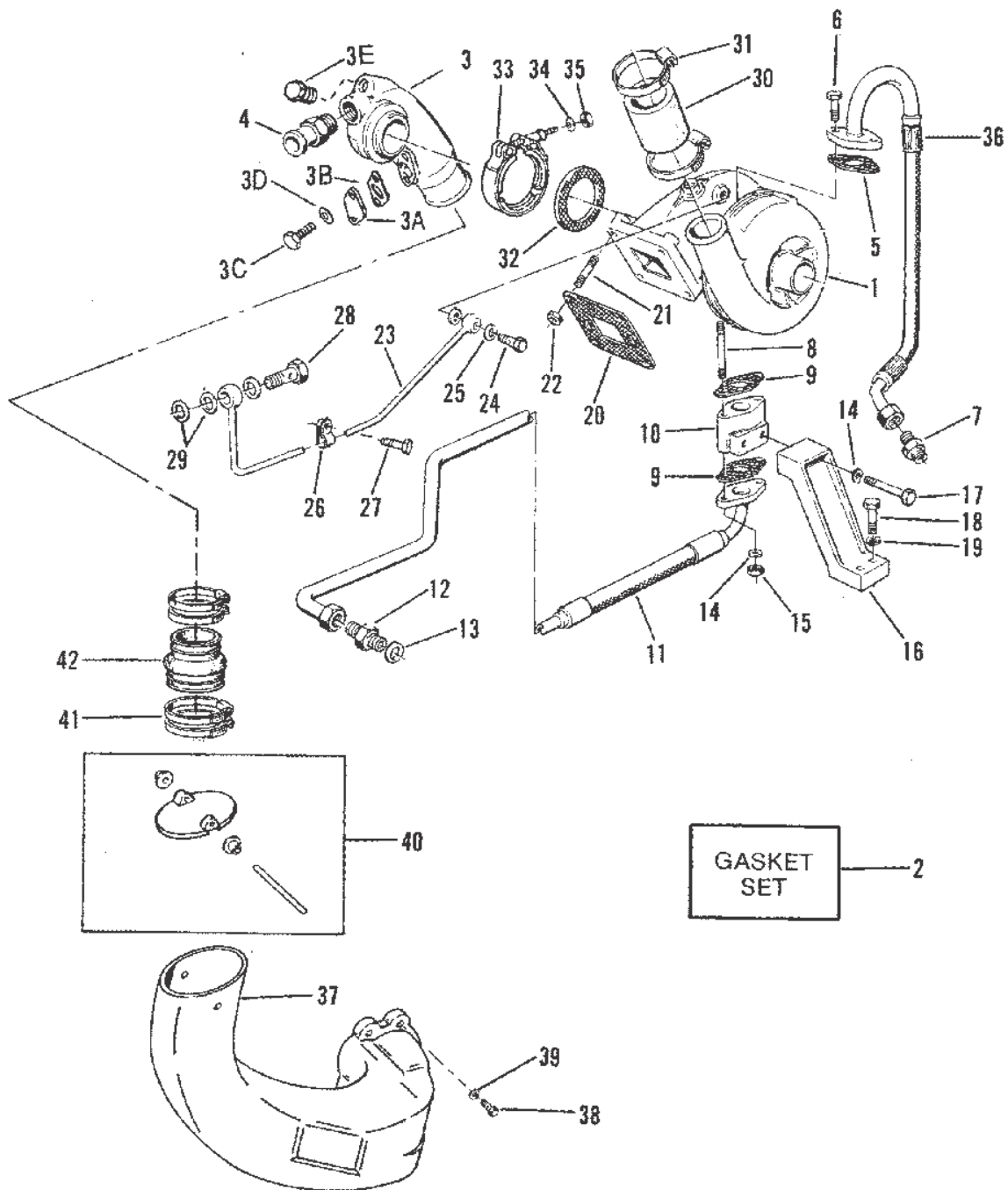


13608

Oil Cooler (Mechanical Transmission)

Ref #	Part Class	Part Number	Description	Comments	Qty	Note
1	0000	801326972	BRACKET		1	
2	0000	801761376	COOLER Oil		1	
3	0000	801761375	COVER		2	
4	0054	801328048	CLAMP		2	
5	0054	801763507	CLAMP		2	
6	0010	809913624	SCREW		2	
7	0011	809922087	NUT		2	
8	0010	809913442	SCREW		2	
9	0011	809922800	NUT		2	
10	0022	801761919	SOCKET		2	
11	0000	801330753	CONNECTOR		2	
12	0032	801330744	PIPE Oil		2	
13	0032	801761587	PIPE Seawater		1	
14	0054	801326639	CLAMP		2	

Turbo Charger/Exhaust Elbow (New Design)



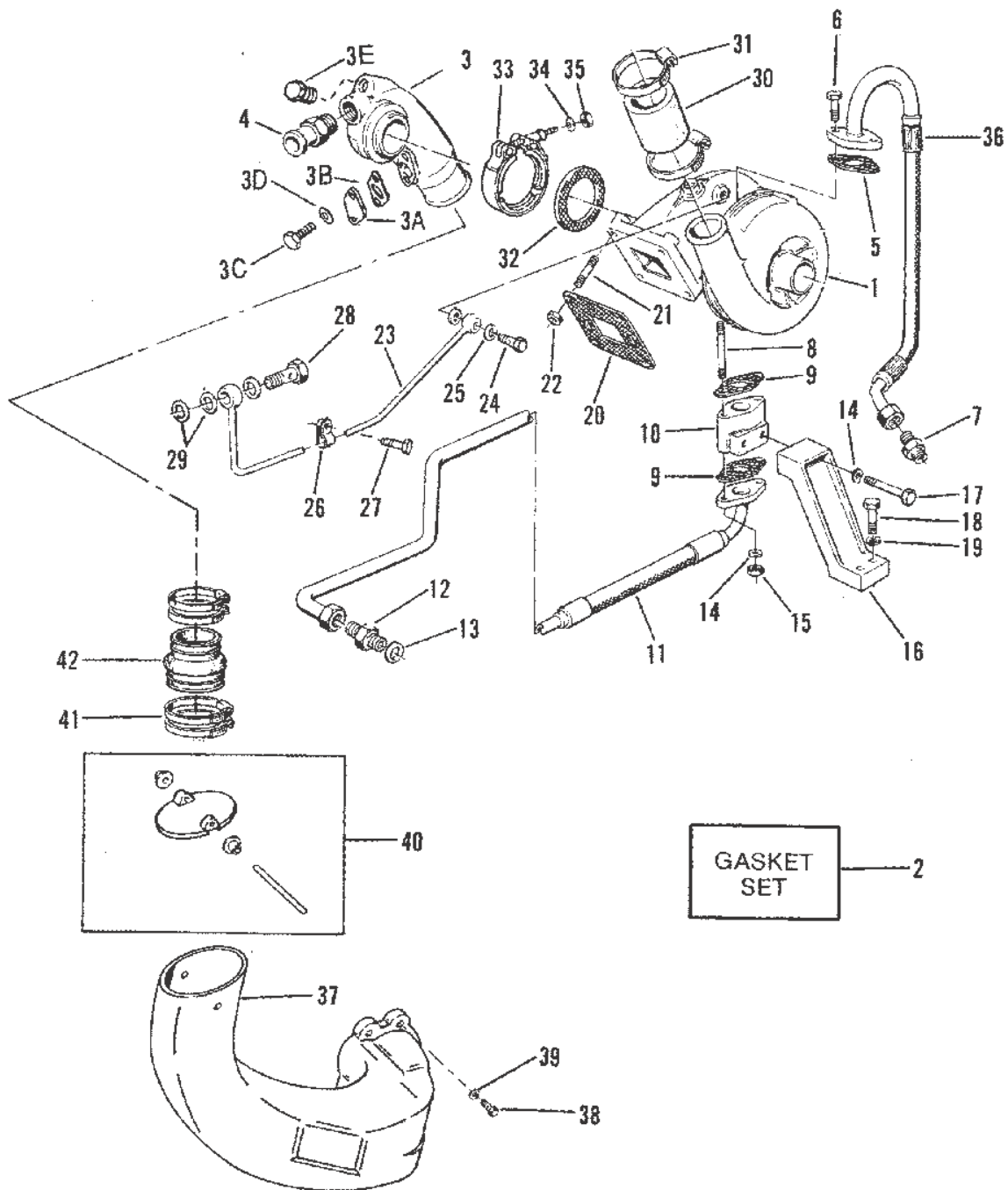
13609

Turbo Charger/Exhaust Elbow (New Design)

Ref #	Part Class	Part Number	Description	Comments	Qty	Note
1	0000	801763701	TURBO CHARGER (808715) Repair Kit		1	
2	0027	801331187	GASKET SET Turbocharger		1	[1]
3	0000	805602A2	ELBOW Exhaust		1	
3A	0000	805266T	PLATE		1	
3B	0027	817077	GASKET		1	
3C	0010	809913624	SCREW		2	
3D	0013	809930840	LOCKWASHER		2	
3E	0022	91016	PLUG		1	
4	0022	805315	CONNECTOR		1	
5	0027	801333462	GASKET		1	[2]
6	0010	809913644	SCREW		2	
7	0022	801763389	FITTING		1	
8	0016	801763451	STUD (M8 x 70)		2	
9	0027	801333459	GASKET		2	[2]
10	0023	801763450	HOUSING		1	
11	0032	801763778	PIPE Oil		1	
11	0032	801763456	PIPE Oil		1	
12	0022	801333464	FITTING		1	
13	0012	809963354	WASHER		4	[2]
14	0013	809932095	LOCKWASHER		2	
15	0011	400213	NUT (M8) Stainless Steel		1	
16	0000	801763449	BRACKET Turbo Support		2	
17	0010	809912535	SCREW		2	
18	0010	809919669	SCREW		2	
19	0013	809932104	LOCKWASHER		1	[2]
20	0027	801333454	GASKET		4	
21	0016	801333453	STUD (M10 x 30)		4	
22	0011	801763448	NUT		1	
23	0000	801765010	VENT PIPE		1	
23	0000	801765011	VENT PIPE		1	
24	0010	801763353	BOLT Banjo		2	
25	0012	809963072	WASHER		2	
26	0054	801266997	CLAMP		2	
27	0010	809919926	SCREW (M6 x 25)		1	
28	0010	801263264	BOLT Banjo Double		3	
29	0025	809963130	WASHER Sealing Ring		1	
30	0032	801333456	HOSE		2	
31	0054	801333457	CLAMP		2	
32	0027	817089	GASKET		1	[2]
33	0054	801763272	CLAMP		1	
34	0012	809931036	WASHER		1	
35	0011	809922410	NUT		1	
36	0032	801763455	PIPE Oil		1	
37	0000	805013T	PIPE Exhaust Stern Drive		1	

Turbo Charger/Exhaust Elbow (New Design)

Turbo Charger/Exhaust Elbow (New Design)



13609

Turbo Charger/Exhaust Elbow (New Design)

Ref #	Part Class	Part Number	Description	Comments	Qty	Note
38	0010	58640	SCREW (.375-16 x 1.25) Stern Drive		4	
39	0013	41471	LOCKWASHER (.375) Stern Drive		4	
40	0000	14348A1	SHUTTER ASSEMBLY Water Stern Drive		1	
41	0054	801763218	CLAMP Stern Drive		1	
42	0032	815529	TUBE Exhaust Stern Drive		1	
-	0027	822567A1	GASKET SET	(Quantities: (5 CYL) - 1; (6 CYL) - 0)	AR	
-	0027	822570A1	GASKET SET Overhaul	(Quantities: (5 CYL) - 0; (6 CYL) - 1)	AR	
-	0027	801331187	GASKET SET Turbocharger		AR	

PART NOTES:

- [1] - Contents Of Gasket Set 822567A 1
 Contents Of Gasket Set801331187
 Contents Of Gasket Set822570A 1
- [2] - Contents Of Gasket Set 822567A 1
 Contents Of Gasket Set822570A 1
 Contents Of Gasket Set801331187

PARTS INDEX

Part No.	Description	Pg.	Ref.no	Part No.	Description	Pg.	Ref.no
123811	RETAINER Shift Cable	94	3	13130	CAP Pressure	58	5
13438	NUT (.250-28) Shift Cable Stud	94	11	13743	SCREW (.312-18 x 1.843) Shoulder - Shift Lever	94	15
138981	LEVER	94	14	14348A1	SHUTTER ASSEMBLY Water Stern Drive	40	40
14348A1	SHUTTER ASSEMBLY Water Stern Drive	150	40	16781	ELBOW 90 Degrees	88	13
1727121	HOSE	84	26	1727121	HOSE	86	26
18311A9	COUPLING ASSEMBLY Dual Stage Coupling	28	22	18718A7	HOUSING ASSEMBLY	28	32
18743T	ADAPTOR Single State Coupling	28	15	18750901	OWNERS MANUAL Stern Drive, Old Design	2	--
18825A2	PUMP ASSEMBLY	84	1	18825A2	PUMP ASSEMBLY	86	1
18826	ADAPTER	84	9	18826	ADAPTER	86	9
18828901	OWNERS MANUAL Inboard Old Design	2	--	18833T	PIPE Exhaust	40	37
18893T	BRACKET	72	3	18900A1	TRANSMISSION (1.5:1 Ratio)	132	1
18900A1	TRANSMISSION (1.5:1 Ratio) (1.5:1 Ratio)	136	-	18900A1	TRANSMISSION (1.5:1 Ratio) (1.5:1 Ratio)	140	-
18901A1	TRANSMISSION (2.0:1 Ratio)	132	1	18901A1	TRANSMISSION (2.0:1 Ratio)	136	-
18901A1	TRANSMISSION (2.0:1 Ratio) (2.0:1 Ratio)	140	-	18902A1	TRANSMISSION (2.5:1 Ratio)	132	1
18902A1	TRANSMISSION (2.5:1 Ratio) (2.5:1 Ratio)	136	-	18902A1	TRANSMISSION (2.5:1 Ratio) (2.5:1 Ratio)	140	-
18904	CLIP	84	32	18904	CLIP	88	4
18904	CLIP	90	4	18904	CLIP	132	20
192241	COVER	6	6	192242	COVER	6	6
19485	FILTER	60	44	19487	FILTER Air	80	4
19559A1	FLANGE (30MM) Use With Metric Shaft	114	52	19559A1	FLANGE (30 MM) Use With Metric Shaft	124	54
19559A1	FLANGE (30 MM)	132	28	19560A1	FLANGE (30MM) Use With Metric Shaft	114	52
19560A1	FLANGE (35MM) Use With Metric Shaft	124	54	19560A1	FLANGE (35 MM)	132	28
19561A1	FLANGE (40MM) Use With Metric Shaft	114	52	19561A1	FLANGE (40 MM) Use With Metric Shaft	124	54
19561A1	FLANGE (40 MM)	132	28	19562A1	FLANGE (45MM) Use With Metric Shaft	114	52
19562A1	FLANGE (45 MM) Use With Metric Shaft	124	54	19562A1	FLANGE (45 MM)	132	28
1983389	HOSE	96	6	20533	WASHER	26	35
20959	WASHER Adaptor Screw	92	14	21071	COTTER PIN Shift Lever	94	17
22024	NUT (.437-14) Use With English Shaft	116	61	22024	NUT (.437-14) Use With English Shaft	126	63
22024	NUT (.437-14)	132	27	24664	WASHER (M4 x 20)	44	22
24664	WASHER (M4 x 20)	44	25	25269	NUT (.375-24) Single State Coupling	28	21
25970	WASHER Rod End	92	22	30164	WASHER (.192 x .375 x .0312) Stainless Steel Ground Screw	72	7
31866	SPACER (.256 x .313 x .625)	108	24	32857	COTTER PIN Shift Cable Retaining	94	6
32882	NUT (.875-14) Steering	92	20	32993	LOCKWASHER (.437) Use With English Shaft	116	60
32993	LOCKWASHER (.437) Use With English Shaft	126	62	32993	LOCKWASHER (.437)	132	26
34212	COTTER PIN Sleeve	92	25	34714	WASHER Single State Coupling	28	20
35048	LOCKWASHER (.375) Clamping Screw	92	11	35462	WASHER (.2656 x .625 x .0625) Stainless Steel Coupler Nut Lock Screw	92	32
35462	WASHER (.2656 x .625 x .0625) Stainless Steel Shift Cable Stud	94	10	35888	NUT (.250-28) Stainless Steel	44	23
35888	NUT (.250-28) Stainless Steel	44	26	36377	COTTER PIN Retaining Pin	92	6
38525	STUD	44	21	40001134	SCREW (M8 x 25) Single State Coupling	28	16
40001134	SCREW (M8 x 25) Dual Stage Coupling	28	27	40001134	SCREW (M8 x 25) Two-Stage Coupler	144	23
4000116	SCREW (M5 x 20) Controller	72	4	40001189	SCREW (M10 x 20) Dual Stage Coupling	28	25
40001192	SCREW (M10 x 25) Two-Stage Coupler	144	21	40001206	SCREW (M10 x 50)	28	35
40001260	SCREW (M12 x 45) Use With Metric Shaft	114	54	40001260	SCREW (M12 x 45) Use With Metric Shaft	126	56
40001260	SCREW (M12 x 45)	132	30	4000175	SCREW (M6 x 20) Dual Stage Coupling	28	30
400201	NUT (M5) Controller Screw	72	5	4002016	NUT Use With Metric Shaft	116	56
4002016	NUT Use With Metric Shaft	126	58	4002016	NUT	132	32
400212	NUT (M6) Stainless Steel	100	18	400213	NUT (M8) Stainless Steel	58	8
400213	NUT (M8) Stainless Steel	94	20	400213	NUT (M8) Stainless Steel	98	30
400213	NUT (M8) Stainless Steel	100	30	400213	NUT (M8) Stainless Steel	106	5
400213	NUT (M8) Stainless Steel	108	21	400213	NUT (M8) Stainless Steel	144	5
400213	NUT (M8) Stainless Steel	148	15	400214	NUT (M10) Stainless Steel	132	4
400246	LOCKWASHER Dual Stage Coupling	28	31	400247	LOCKWASHER (M8) Single State Coupling	28	17
400247	LOCKWASHER (M8) Dual Stage Coupling	28	28	400247	LOCKWASHER (M8)	84	39
400247	LOCKWASHER (M8)	86	31	400247	LOCKWASHER (M8) Two-Stage Coupler	144	24
400248	LOCKWASHER (M10) Dual Stage Coupling	28	26	400248	LOCKWASHER (M10) Two-Stage Coupler	144	22
400249	LOCKWASHER Use With Metric Shaft	114	55	400249	LOCKWASHER Use With Metric Shaft	126	57
400249	LOCKWASHER	132	31	4005688	SCREW (M4 x 20)	74	5
4007640	SCREW Use With Metric Shaft	114	53	4007640	SCREW Use With Metric Shaft	126	55
4007640	SCREW	132	29	4007745	SCREW	130	14

PARTS INDEX

Part No.	Description	Pg.	Ref.no	Part No.	Description	Pg.	Ref.no
41209	SCREW Coupler Nut Lock	92	28	41471	LOCKWASHER (.375) Stern Drive	40	39
41471	LOCKWASHER (.375) Stern Drive	150	39	42600A3	CONTROLLER ASSEMBLY	72	1
45353	SPACER	132	16	46950	COTTER PIN Clevis Pin	92	31
47629	ELBOW 90 Degree	132	18	47715	CLIP	82	13
47715	CLIP	84	38	49099	FITTING Dual Stage Coupling	28	24
52498	SCREW (.437-20 x 1.500) Use With English Shaft	116	59	52498	SCREW (.437-20 x 1.500) Use With English Shaft	126	60
52498	SCREW (.437-20 x 1.500) Flange	132	25	52779A2	VALVE ASSEMBLY Power Steering (25-58226A1 Repair Kit)	92	8
52798	PIN Clevis	92	30	53167	SCREW (.312-18 x .880)	94	5
53300	NUT (.375-24) Rod End	92	23	5346170	HOSE (48.00 Inches Bulk)	84	41
5346170	HOSE (48.00 Inches Bulk)	90	19	55098	J CLIP New Design	34	31
55111	NUT Steering Tube Adaptor	92	17	56720	WASHER (.330 x .750 x .060) Stainless Steel Shift Brtacket Stud	94	8
57969A12	CYLINDER ASSEMBLY Booster Booster (25-58224A1 Repair Kit)	92	1	58640	SCREW (.375-16 x 1.25) Stern Drive	40	38
58640	SCREW (.375-16 x 1.25) Stern Drive	150	38	60169	SCREW (.375-16 x .750) Use With English Shaft	116	58
60169	SCREW (.375-16 x .750) Use With English Shaft	126	61	60169	SCREW (.375-16 x .750) Flange	132	24
60171	SCREW (.375-16 x 1.250) Use With English Shaft	116	58	60171	SCREW (.375-16 x 1.250) Use With English Shaft	126	60
60171	SCREW (.375-16 x 1.250) Flange	132	24	62568	SCREW (#10-16 x .375) Controller Ground	72	6
63341	TEE NUT Shift Cable Stud	94	13	63832A1	COOLER	88	6
63832A1	COOLER	132	17	63832T1	COOLER Oil	90	6
64068	O-RING	84	40	64068	O-RING	86	32
67305	FITTING Grease	92	12	68101	SCREW (.375-16 x 1.375) Clamping	92	10
68219	NUT (#10-32) Stainless Steel	72	2	68402	PIN (.250 x 1.13) Shift Lever	94	16
71587A10	RECOVERY KIT Coolant	96	1	71587A11	BOTTLE Plastic	96	2
71614	GASKET	96	4	72058	CAP	96	3
76175	STUD Single State Coupling	28	19	76629	LOCKWASHER Internal Tooth (.750) Steering Tube Adaptor	92	16
79091	FUSE 20 Ampere	72	9	79476A1	FLANGE ASSEMBLY (5.00 x 1.00) (1.00") Use With English Shaft	116	57
79476A1	FLANGE ASSEMBLY (5.00 x 1.00) (1.00") Use With Metric Shaft	126	59	79476A1	FLANGE ASSEMBLY (5.00 x 1.00) (1.125") Use With English Shaft	126	59
79476A1	FLANGE ASSEMBLY (5.00 x 1.00)	132	23	79476A2	FLANGE ASSEMBLY (5.00 x 1.125) (1.125") Use With English Shaft	116	57
79476A2	FLANGE ASSEMBLY (5.00 x 1.125) (1.25") Use With English Shaft	126	59	79476A2	FLANGE ASSEMBLY (5.00 x 1.125)	132	23
79476A3	FLANGE ASSEMBLY (5.00 x 1.25) (1.250") Use With English Shaft	116	57	79476A3	FLANGE ASSEMBLY (5.00 x 1.25) (1.375") Use With English Shaft	126	59
79476A3	FLANGE ASSEMBLY (5.00 x 1.25)	132	23	79476A4	FLANGE ASSEMBLY (5.00 x 1.375) (1.375") Use With English Shaft	116	57
79476A4	FLANGE ASSEMBLY (5.00 x 1.375) (1.50") Use With English Shaft	126	59	79476A4	FLANGE ASSEMBLY (5.00 x 1.375)	132	23
79476A5	FLANGE ASSEMBLY (5.00 x 1.50) (1.50") Use With English Shaft	116	57	79476A5	FLANGE ASSEMBLY (5.00 x 1.50)	132	23
79476A6	FLANGE ASSEMBLY (5.00 x 1.75) (1.750") Use With English Shaft	116	57	79476A6	FLANGE ASSEMBLY (5.00 x 1.75) (1.75") Use With English Shaft	126	59
79476A6	FLANGE ASSEMBLY (5.00 x 1.75)	132	23	79476A7	FLANGE ASSEMBLY (5.00 x 2.00) (2.00") Use With English Shaft	116	57
79476A7	FLANGE ASSEMBLY (5.00 x 2.00) (2.00") Use With English Shaft	126	59	79476A7	FLANGE ASSEMBLY (5.00 x 2.00)	132	23
801108620	WASHER	84	19	801108620	WASHER	86	19
801117181	BOLT Banjo Old Design	32	17	801117181	BOLT Banjo	34	33
801117181	BOLT Banjo	56	9	801119240	BOLT Banjo	56	13
801124680	TANK Power Steering Oil Reservoir	84	20	801124680	TANK Power Steering Oil Reservoir	86	20
801250399	GASKET	58	25	801256320	BUSHING	44	14
801261404	BUSHING	84	18	801261404	BUSHING	86	18
801263264	BOLT Banjo Double	40	28	801263264	BOLT Banjo Double	148	28
801266470	NOZZLE	90	7	801266997	CLAMP	40	26
801266997	CLAMP	148	26	801269852	BOLT Banjo	48	13
801273639	GEAR Pinion	70	23	801273639	GEAR Pinion	84	15
801273639	GEAR Pinion	86	15	801276540	SCREW	70	22
801277375	SCREW	84	14	801277375	SCREW	86	14
801285638	SEPARATOR Oil	6	12	801285797	O-RING	6	11
801285906	CAP Drain	56	7	801288696	O-RING	56	6
801326523	CLAMP	52	4	801326523	CLAMP	54	4
801326523	CLAMP	82	11	801326638	CLAMP	84	24
801326638	CLAMP	86	24	801326638	CLAMP Small	102	6

PARTS INDEX

Part No.	Description	Pg.	Ref.no	Part No.	Description	Pg.	Ref.no
801326639	CLAMP	62	23	801326639	CLAMP	84	35
801326639	CLAMP	88	2	801326639	CLAMP	90	2
801326639	CLAMP	98	23	801326639	CLAMP	100	23
801326639	CLAMP	104	2	801326639	CLAMP	146	14
801326732	CONNECTOR	58	33	801326809	THERMOSTAT	58	24
801326972	BRACKET	132	13	801326972	BRACKET	146	1
801328048	CLAMP	52	6	801328048	CLAMP	54	6
801328048	CLAMP	64	13	801328048	CLAMP	80	13
801328048	CLAMP	146	4	801328162	SPRING	124	30
801328174	SHIM (.04MM)	110	26	801328174	SHIM (.04 MM)	120	26
801328175	SHIM (.05MM)	110	26	801328175	SHIM (.05 MM)	120	27
801328176	SHIM (.06MM)	110	26	801328176	SHIM (.06 MM)	120	28
801328177	SHIM (.07MM)	110	26	801328177	SHIM (.07 MM)	120	29
801328180	KEY	114	37	801328180	KEY	124	37
801328181	BEARING Roller	110	18	801328181	BEARING Roller	120	18
801328202	PIN Retaining	114	29	801328202	PIN Retaining	114	30
801328202	PIN Retaining	124	29	801328203	PIN	114	32
801328203	PIN	124	32	801328205	SLEEVE	114	31
801328205	SLEEVE	124	31	801328222	SHIM (.10MM)	114	46
801328222	SHIM (.10MM)	124	43	801328223	SHIM (.15MM)	114	46
801328223	SHIM (.15 MM)	124	43	801328224	SHIM (.30MM)	114	46
801328224	SHIM (.30 MM)	124	43	801328225	SHIM (.50MM)	114	46
801328225	SHIM (.50 MM)	124	43	801328226	SHIM (1.00MM)	114	46
801328226	SHIM (1.00 MM)	124	43	801328389	BEARING Roller	110	2
801328389	BEARING Roller	120	2	801328390	BEARING Roller	110	1
801328390	BEARING Roller	120	1	801328408	BEARING Roller	110	13
801328408	BEARING Roller	120	13	801328409	BEARING Roller	110	14
801328409	BEARING Roller	110	19	801328409	BEARING Roller	120	14
801329259	BOLT Banjo	8	14	801329259	BOLT Banjo	10	14
801329978	BREAKER Circuit	74	10	801330602	NEEDLE CAGE	110	17
801330602	NEEDLE CAGE	120	17	801330744	PIPE Oil	146	12
801330753	CONNECTOR	146	11	801331112	HOSE Water	88	5
801331112	HOSE Water	90	5	801331113	CLAMP	62	28
801331113	CLAMP	84	43	801331113	CLAMP	88	9
801331113	CLAMP	90	10	801331113	CLAMP	98	28
801331113	CLAMP	100	28	801331113	CLAMP	104	6
801331137	FITTING	58	22	801331148	COVER	52	9
801331148	COVER	54	7	801331150	THERMOSTAT COVER	58	23
801331151	BOLT Banjo	52	7	801331151	BOLT Banjo	54	13
801331151	BOLT Banjo	90	15	801331152	CONNECTOR	58	19
801331161	HOSE	52	3	801331161	HOSE	54	3
801331164	BRACKET	82	14	801331165	REGULATOR Oil Temperature	58	17
801331173	GASKET	40	32	801331187	GASKET SET Turbocharger	38	-
801331187	GASKET SET Turbocharger	40	2	801331187	GASKET SET Turbocharger	42	-
801331187	GASKET SET Turbocharger	50	40	801331187	GASKET SET Turbocharger	52	14
801331187	GASKET SET Turbocharger	54	12	801331187	GASKET SET Turbocharger	148	2
801331187	GASKET SET Turbocharger	150	-	801331189	O-RING	58	32
801331190	O-RING	58	15	801331195	O-RING	52	10
801331198	O-RING	54	8	801331204	GASKET	64	5
801331205	SEAL	64	2	801331209	SCREW	22	7
801331209	SCREW	22	7	801331210	STUD	26	28
801331211	SCREW	26	22	801331212	PIN	26	3
801331213	BUSHING	12	4	801331218	PUMP Fuel	56	15
801331219	O-RING	56	18	801331224	GEAR	16	8
801331225	KEY	44	27	801331226	INJECTION NOZZLE	48	1
801331233	BOLT Banjo	48	3	801331234	WASHER	48	14
801331234	WASHER Cylinder 2	50	29	801331235	SPACER	48	18
801331236	CLAMP Injection Nozzle Hold Down	48	17	801331240	RETURN PIPE	48	5
801331242	PRESSURE PIPE Cylinder 1	50	28	801331244	PRESSURE PIPE Cylinder 3	50	30
801331245	PRESSURE PIPE Cylinder 4	50	31	801331246	PRESSURE PIPE Cylinder 5	50	32
801331247	PRESSURE PIPE Cylinder 6	50	33	801331248	CLAMP	50	34

PARTS INDEX

Part No.	Description	Pg.	Ref.no	Part No.	Description	Pg.	Ref.no
801331249	CLAMP	50	35	801331258	HOSE	82	12
801331262	BOLT	108	6	801331262	BOLT	118	6
801331264	LEVER Shift	108	22	801331265	COVER	108	19
801331270	O-RING	108	20	801331271	GASKET	108	16
801331553	TOOL KIT	2	--	801331600	CYLINDER BLOCK	4	2
801331602	PLUG Expansion	4	3	801331604	SCREW	4	5
801331605	LINER Cylinder (92.00 MM/92.01 MM)	18	1	801331605	LINER Cylinder (92.00 MM/92.01 MM)	18	1
801331607	SHIM (15 mm)	18	2	801331608	SHIM (20 mm)	18	2
801331613	GASKET Oil Pan	32	2	801331615	COVER Early Models	26	1
801331616	GASKET	26	2	801331617	SEAL	26	10
801331618	COVER	26	27	801331619	O-RING	26	26
801331619	O-RING	28	6	801331619	O-RING	106	6
801331619	O-RING	144	6	801331620	COVER	26	6
801331621	GASKET	26	5	801331622	COVER	26	19
801331623	GASKET	26	18	801331625	CRANKSHAFT	22	1
801331626	LINER Cylinder (92.01 MM/92.02 MM)	18	1	801331626	LINER Cylinder (92.01 MM/92.02 MM)	18	1
801331627	BUSHING Standard	22	4	801331628	BUSHING (.25MM)	22	4
801331629	BUSHING (.50MM)	22	4	801331631	BEARING Standard	22	9
801331631	BEARING Standard	22	9	801331632	BEARING (25 mm)	22	9
801331633	BEARING (50 mm)	22	9	801331635	BEARING Standard	22	11
801331636	BEARING (.25MM)	22	11	801331637	BEARING (.50MM)	22	11
801331639	THRUST WASHER Standard	22	10	801331640	THRUST WASHER (.10MM)	22	10
801331641	THRUST WASHER (.20MM)	22	10	801331642	KEY	22	2
801331643	GEAR Crankshaft	22	3	801331644	FLANGE Front	22	5
801331644	FLANGE Front	22	5	801331647	PIN	22	6
801331647	PIN	22	6	801331649	NOZZLE	22	13
801331649	NOZZLE	22	13	801331650	SCREW Locating	4	10
801331652	FLANGE Rear	22	12	801331654	O-RING	24	17
801331655	SEAL	24	16	801331662	STUD	12	12
801331664	EXPANSION PLUG	12	2	801331665	COVER	12	3
801331666	STUD	12	13	801331670	SPACER	14	27
801331671	BRIDGE	12	20	801331671	BRIDGE	12	20
801331673	BRIDGE	12	21	801331674	BRIDGE	12	22
801331675	BOLT	12	23	801331676	WASHER	12	24
801331677	BOLT	12	25	801331678	BOLT	14	26
801331682	VALVE SEAT Inlet	12	15	801331683	VALVE SEAT Outlet	12	16
801331684	FITTING Drain	4	13	801331684	FITTING Drain	36	9
801331689	CAP Oil Fill	6	8	801331690	O-RING	6	7
801331694	HOUSING Flywheel	28	1	801331695	HOUSING Flywheel	106	1
801331695	HOUSING Flywheel	144	1	801331697	SPACER Flywheel	28	9
801331697	SPACER Flywheel	106	9	801331697	SPACER Flywheel	144	9
801331698	SCREW (M4 x 10)	28	10	801331698	SCREW (M4 x 10)	106	10
801331698	SCREW (M4 x 10)	144	10	801331699	FLYWHEEL	28	11
801331699	FLYWHEEL	106	11	801331699	FLYWHEEL	144	11
801331701	RING GEAR	28	12	801331701	RING GEAR	106	12
801331701	RING GEAR	144	12	801331702	BEARING Ball Single State Coupling	28	14
801331702	BEARING Ball	106	14	801331702	BEARING Ball	144	14
801331703	BOLT	28	13	801331705	KEY	26	4
801331706	O-RING	26	11	801331707	NUT	26	14
801331708	VIBRATION DAMPER	26	13	801331712	BUSHING	18	6
801331712	BUSHING	18	6	801331713	BOLT	18	7
801331713	BOLT	18	7	801331715	BEARING Standard	18	8
801331715	BEARING Standard	18	8	801331716	BEARING (25 mm)	18	8
801331717	BEARING (50 mm)	18	8	801331720	RING Piston	18	12
801331720	RING Piston	18	12	801331725	RING	18	11
801331725	RING	18	11	801331731	BUSHING Standard	16	3
801331731	BUSHING Standard	16	3	801331731	BUSHING (.25 MM)	16	3
801331733	PLATE Cam Guide	16	4	801331735	KEY	16	2
801331736	GEAR Camshaft	16	7	801331737	LIFTER	8	9
801331737	LIFTER	8	9	801331738	PUSH ROD	8	10
801331738	PUSH ROD	8	10	801331739	ROCKER ARM ASSEMBLY	8	1

PARTS INDEX

Part No.	Description	Pg.	Ref.no	Part No.	Description	Pg.	Ref.no
801331739	ROCKER ARM ASSEMBLY	8	1	801331740	SUPPORT	8	6
801331740	SUPPORT	8	6	801331741	ROCKER ARM Exhaust	8	7
801331741	ROCKER ARM Exhaust	8	7	801331742	ROCKER ARM Intake	8	4
801331742	ROCKER ARM Intake	8	4	801331745	BUSHING	8	8
801331745	BUSHING	8	8	801331746	SCREW Adjusting	8	11
801331746	SCREW Adjusting	8	11	801331748	PIN Centering	8	3
801331748	PIN Centering	8	3	801331749	NUT	8	5
801331749	NUT	8	5	801331750	OUTLET VALVE	12	18
801331752	PLATE Spring	12	8	801331753	SPRING Valve	12	9
801331754	CAP Spring	12	10	801331755	KEEPER	12	11
801331756	NUT	44	33	801331940	CONNECTING BRIDGE	70	29
801331979	SENDER	4	24	801332418	INNER DISC	110	25
801332418	INNER DISC	120	25	801332593	SHAFT	62	7
801332593	SHAFT	98	7	801332593	SHAFT	100	7
801332595	RING Snap Retaining	62	6	801332595	RING Snap Retaining	98	6
801332595	RING Snap Retaining	100	6	801332596	SPACER	62	5
801332596	SPACER	98	5	801332596	SPACER	100	5
801332597	BEARING Ball	62	4	801332597	BEARING Ball	98	4
801332597	BEARING Ball	100	4	801332598	O-RING	62	11
801332598	O-RING	98	11	801332598	O-RING	100	11
801332599	SPREADER	62	10	801332599	SPREADER	98	10
801332599	SPREADER	100	10	801332600	SEAL	62	9
801332600	SEAL	98	9	801332600	SEAL	100	9
801332601	WEAR PLATE	62	8	801332601	WEAR PLATE	98	8
801332601	WEAR PLATE	100	8	801332602	IMPELLER	62	13
801332602	IMPELLER	98	13	801332602	IMPELLER	100	13
801332604	SCREW	62	2	801332604	SCREW	98	02
801332604	SCREW	100	2	801332606	GASKET	62	14
801332606	GASKET	98	14	801332606	GASKET	100	14
801332607	COVER	62	15	801332607	COVER	98	15
801332607	COVER	100	15	801332608	SCREW	62	16
801332608	SCREW	98	16	801332608	SCREW	100	16
801332620	PIN	62	3	801332620	PIN	98	3
801332620	PIN	100	3	801333402	AXLE Rear	16	17
801333404	GEAR	16	14	801333406	PUMP Oil Early Models	16	9
801333412	O-RING	16	10	801333414	ELBOW Oil Suction	32	7
801333415	O-RING	32	8	801333416	O-RING	32	12
801333417	RELIEF VALVE	32	13	801333423	LINE Oil	8	13
801333424	CLIP	10	16	801333425	DIPSTICK TUBE	32	14
801333441	GASKET	68	8	801333448	STUD (M8 x 140)	36	12
801333449	GASKET	36	11	801333450	NUT	36	18
801333451	STUD (M8 x 90)	36	14	801333453	STUD (M10 x 30)	40	21
801333453	STUD (M10 x 30)	148	21	801333454	GASKET	40	20
801333454	GASKET	148	20	801333456	HOSE	40	30
801333456	HOSE	148	30	801333457	CLAMP	40	31
801333457	CLAMP	148	31	801333459	GASKET	40	9
801333459	GASKET	148	9	801333462	GASKET	40	5
801333462	GASKET	148	5	801333464	FITTING	40	12
801333464	FITTING	148	12	801333472	GASKET	36	19
801333479	SCREW	70	13	801333793	PLATE Retaining	106	20
801333850	O-RING	62	17	801333850	O-RING	98	17
801333850	O-RING	100	17	801333856	ROD KIT Link	44	4
801333863	BRACKET Rocker Arm	8	2	801333863	BRACKET Rocker Arm	8	2
801333865	DIAPHRAGM	56	16	801333866	STUD	56	17
801333870	STUD	44	30	801333871	WASHER	44	31
801333873	CONNECTOR	44	42	801333874	SCREW Banjo (M10)	44	35
801333875	STUD	48	19	801333881	BASE PLATE	16	13
801333891	HOUSING	106	17	801333891	HOUSING	144	25
801333937	REGULATOR	70	7	801333939	PULLEY	70	3
801333944	FAN	70	2	801333980	STARTER MOTOR ASSEMBLY	66	1
801334011	RELAY	70	8	801334012	DIODE PLATE	70	6

PARTS INDEX

Part No.	Description	Pg.	Ref.no	Part No.	Description	Pg.	Ref.no
801334100	INSTRUMENT PANEL	76	3	801334110	SWITCH ASSEMBLY Start	76	13
801334111	COVER	76	21	801334113	TOUCH CONTACTOR	76	18
801334114	SWITCH ASSEMBLY Stop	76	14	801334117	IGNITION SWITCH See Key Chart Below	76	2
801334120	VOLTMETER GAUGE	76	7	801334121	GAUGE Water Temperature	76	6
801334124	INSTRUMENT PANEL	76	22	801334125	GAUGE Oil Pressure	76	10
801334126	GAUGE Oil Temperature	76	9	801334129	BUZZER	76	23
801334216	COVER	76	27	801334299	RELAY Power	74	4
801334306	RELAY Preheating	74	3	801334307	SWITCH	76	4
801334308	COVER	76	5	801334326	PREHEATER INDICATOR LAMP	76	15
801334327	LAMP Oil Pressure Warning	76	17	801334328	CHARGING INDICATOR LAMP	76	16
801334335	ALTERNATOR	70	1	801334359	TACHOMETER GAUGE	76	8
801334372	RELAY Starting	74	14	801334377	ARMATURE	66	4
801334378	BRUSH SET	66	5	801334379	PARTS SET ARMATURE	66	3
801334380	RELAY	66	2	801334401	KEY 93401	76	32
801334402	KEY 93402	76	33	801334403	KEY 93403	76	34
801334404	KEY 93404	76	35	801334405	KEY 93405	76	36
801334406	KEY 93406	76	37	801334407	KEY 93407	76	38
801334408	KEY 93408	76	39	801334409	KEY 93409	76	40
801334410	KEY 93410	76	41	801334411	KEY 93411	76	42
801334412	KEY 93412	76	43	801334413	KEY 93413	76	44
801334414	KEY 93414	76	45	801334415	KEY 93415	78	46
801334416	KEY 93416	78	47	801334417	KEY 93417	78	48
801334418	KEY 93418	78	49	801334419	KEY 93419	78	50
801334420	KEY 93420	78	51	801334421	KEY 93421	78	52
801334422	KEY 93422	78	53	801334423	KEY 93423	78	54
801334424	KEY 93424	78	55	801334425	KEY 93425	78	56
801334495	BOX ASSEMBLY Electrical Components	74	2	801335566	SCREW Vent	48	9
801354092	TIE STRAP	74	12	801355577	GROMMET	74	8
801761038	STUD	22	15	801761038	STUD	36	13
801761076	INSERT	58	9	801761077	INSERT	58	31
801761083	GASKET	38	42	801761097	STRIP Manifold Front	64	1
801761119	PIPE Seawater	62	19	801761121	NOZZLE	62	26
801761122	CLAMP	62	24	801761122	CLAMP	98	24
801761122	CLAMP	100	24	801761124	PIPE Seawater	62	21
801761125	HOSE	62	22	801761163	CONNECTOR Return	48	6
801761165	BOLT Banjo (M8 x 1.00)	48	7	801761168	O-RING	44	12
801761169	RING PIECE	48	11	801761170	BOLT Banjo	56	21
801761171	ADAPTOR	58	34	801761179	CLAMP	80	12
801761179	CLAMP	84	22	801761179	CLAMP	86	22
801761179	CLAMP Large	102	7	801761182	PULLEY Stern Drive	26	29
801761273	CONNECTOR	40	4	801761273	CONNECTOR	58	11
801761289	VENT PIPE	64	8	801761360	COVER Front	36	29
801761367	RADIATOR INSERT	36	32	801761373	FILTER Fuel	56	5
801761375	COVER	146	3	801761376	COOLER Oil	146	2
801761382	BRACKET	4	16	801761389	BRACKET	128	14
801761418	COVER	64	7	801761489	SHIFT ROD	108	9
801761489	SHIFT ROD	118	9	801761584	HOSE	98	39
801761584	HOSE	100	39	801761585	PIPE Seawater	98	38
801761586	PIPE Seawater	98	40	801761586	PIPE Seawater	100	40
801761587	PIPE Seawater	146	13	801761588	PLATE	98	36
801761588	PLATE	100	36	801761589	BRACKET	62	31
801761589	BRACKET	98	31	801761589	BRACKET	100	31
801761617	SCREW	4	19	801761662	CLAMPING SET	44	18
801761674	BEARING Angle	44	10	801761757	SUPPORT	44	41
801761758	CLAMP	44	37	801761771	COUPLER One -Stage Coupler	144	15
801761772	STUD	36	10	801761772	STUD	36	10
801761801	STUD	26	7	801761817	MOUNT	80	8
801761820	LOCKWASHER	80	9	801761847	SCREW	44	20
801761848	SUPPORT/LIFTING EYE	4	6	801761869	V BELT	70	31
801761884	COVER	58	10	801761919	SOCKET	146	10
801761921	PUMP Oil Suction	32	19	801761933	COVER	108	1

PARTS INDEX

Part No.	Description	Pg.	Ref.no	Part No.	Description	Pg.	Ref.no
801761934	HOUSING	108	2	801761935	PUMP Oil	108	12
801761935	PUMP Oil	118	12	801761936	FLANGE	114	48
801761936	FLANGE	124	45	801761938	GASKET	108	13
801761939	RING (1.5:1 And 2.0:1 Ratio)	114	36	801761939	RING (1.5:1 AND 2.0:1 Ratio)	124	36
801761940	RING (3.0:1 Ratio)	114	36	801761940	RING (3.0:1 Ratio)	124	36
801761944	BEARING Roller	114	44	801761944	BEARING Roller	120	3
801761946	O-RING	114	42	801761946	O-RING	124	42
801761947	DRIVESHAFT	114	38	801761947	DRIVESHAFT	124	38
801761948	O-RING	114	47	801761949	O-RING	114	49
801761950	WASHER	114	50	801761950	WASHER	124	47
801761951	DIPSTICK	108	15	801761952	SHIFT FORK	108	8
801761952	SHIFT FORK	118	8	801761953	OUTPUT SHAFT	110	9
801761953	OUTPUT SHAFT (1.5:1 Ratio)	110	9	801761954	SHIM (.10MM)	110	11
801761956	SHIM (.20MM)	110	11	801761957	SHIM (.50MM)	110	11
801761958	SHIM (1.00MM)	110	11	801761959	SHAFT Pinion (1.5:1 Ratio)	110	4
801761960	SHAFT Pinion (2.0:1 Ratio)	110	4	801761961	SHAFT Pinion (3.0:1 Ratio)	110	4
801761962	SHIM (.01 MM)	110	6	801761962	SHIM (.01 MM)	120	6
801761963	SHIM (.15 MM)	110	6	801761963	SHIM (.15 MM)	120	6
801761964	SHIM (.20 MM)	110	6	801761964	SHIM (.20 MM)	120	6
801761965	SHIM (.50 MM)	110	6	801761965	SHIM (.50 MM)	120	6
801761966	SHIM (1.00 MM)	110	7	801761966	SHIM (1.00 MM)	120	6
801761968	OUTPUT GEAR WHEEL (2.0:1 Ratio)	110	9	801761969	OUTPUT GEAR WHEEL (3.0:1 Ratio)	110	9
801761970	GEAR	110	16	801761970	GEAR	120	16
801761971	GEAR (1.5:1 Ratio)	114	40	801761971	GEAR (1.5:1 Ratio)	124	40
801761972	GEAR (2.0:1 Ratio)	114	40	801761972	GEAR (2.0:1 Ratio)	124	40
801761973	GEAR (3.0:1 Ratio)	114	40	801761973	GEAR (3.0:1 Ratio)	124	40
801761974	NUT	110	12	801761974	NUT	120	12
801761975	SPRING	110	20	801761975	SPRING	120	20
801761977	DISC	110	21	801761977	DISC	120	21
801761978	OUTER DISC	110	23	801761978	OUTER DISC	120	23
801761979	DISC CARRIER	114	35	801761979	DISC CARRIER	124	35
801761980	SLEEVE	114	33	801761980	SLEEVE	124	33
801761981	SPACER SOCKET	114	39	801761981	SPACER SOCKET	124	39
801761982	BUSHING	120	19	801761983	HALF RING	110	22
801761983	HALF RING	120	22	801761984	THRUST WASHER	110	15
801761984	THRUST WASHER	120	15	801761985	DISC CARRIER	114	28
801761985	DISC CARRIER	124	28	801761986	SHIFTING CAM	108	17
801761987	THRUST WASHER	114	45	801761987	THRUST WASHER	124	53
801761988	SPRING	112	27	801761988	SPRING	120	30
801761989	INNER DISC	110	24	801761990	SCREW	108	10
801761990	SCREW	118	10	801761991	SPACER	114	43
801761992	GEAR	110	3	801761993	PIN	108	3
801761994	BEARING Roller	110	5	801761994	BEARING Roller	120	5
801761995	BEARING Roller	110	10	801761995	BEARING Roller (.15MM)	110	11
801761996	BEARING Roller	110	8	801761997	COVER	118	1
801761998	HOUSING	118	2	801763067	SHAFT Pinion (1.5:1 Ratio)	120	4
801763068	SHAFT Pinion (2.0:1 Ratio)	120	4	801763069	SHAFT Pinion (3.0:1 Ratio)	120	4
801763070	OUTPUT SHAFT	120	8	801763071	OUTPUT GEAR WHEEL (1.5:1 Ratio)	120	9
801763072	OUTPUT GEAR WHEEL (2.0:1 Ratio)	120	9	801763073	OUTPUT GEAR WHEEL (3.0:1 Ratio)	120	9
801763074	BEARING Roller	120	10	801763075	BEARING Roller	120	7
801763076	O-RING	124	46	801763076	O-RING	124	51
801763077	O-RING	124	44	801763078	COVER	124	50
801763080	RING Retaining	124	52	801763081	SHIM (.10 MM)	124	49
801763082	SHIM (.15 MM)	124	49	801763083	SHIM (.50 MM)	124	49
801763084	SHIM (1.00 MM)	124	49	801763085	PIN	118	3
801763086	SHIM (.10 MM)	120	11	801763087	SHIM (.15 MM)	120	11
801763088	SHIM (.30 MM)	120	11	801763089	SHIM (.50 MM)	120	11
801763206	PIPE	40	3	801763210	PIPE	56	12
801763211	HOSE Stern Drive	42	42	801763218	CLAMP Stern Drive	42	43
801763218	CLAMP Stern Drive	150	41	801763219	CLAMP Stern Drive	40	41
801763221	REDUCER	58	41	801763229	PIPE Seawater	98	42

PARTS INDEX

Part No.	Description	Pg.	Ref.no	Part No.	Description	Pg.	Ref.no
801763230	HOSE	84	36	801763230	HOSE	88	1
801763230	HOSE	90	1	801763230	HOSE	98	41
801763230	HOSE	104	1	801763231	NOZZLE	84	45
801763231	NOZZLE	88	12	801763231	NOZZLE	90	13
801763231	NOZZLE	98	43	801763231	NOZZLE	104	3
801763253	PLATE Retaining	80	1	801763264	PLUG	58	12
801763269	HOSE Oil Drain	6	16	801763271	PUMP Primer	56	11
801763272	CLAMP	40	33	801763272	CLAMP	148	33
801763277	SHIM	60	50	801763282	TIGHTENING BRACE	84	13
801763282	TIGHTENING BRACE	86	13	801763283	V BELT	84	3
801763283	V BELT	86	3	801763295	HOSE	52	5
801763295	HOSE	54	5	801763298	PULLEY	68	2
801763299	COVER	60	45	801763303	O-RING	60	46
801763304	PIN Support	4	21	801763308	BRACKET	84	10
801763308	BRACKET	86	10	801763309	SUPPORT	84	27
801763309	SUPPORT	86	27	801763324	COVER	80	3
801763327	COVER	80	5	801763331	PLUG	36	26
801763335	DRAIN COCK	58	40	801763335	DRAIN COCK	62	34
801763335	DRAIN COCK	84	44	801763335	DRAIN COCK	88	8
801763335	DRAIN COCK	90	9	801763335	DRAIN COCK	98	34
801763335	DRAIN COCK	100	34	801763335	DRAIN COCK	104	5
801763336	HEAD Oil Filter	58	16	801763339	PIPE	52	2
801763340	PIPE	52	1	801763340	PIPE	54	1
801763349	PULLEY	84	2	801763349	PULLEY	86	2
801763353	BOLT Banjo	40	24	801763353	BOLT Banjo	148	24
801763362	SHIM (23 mm)	18	2	801763365	BRACE	70	18
801763377	PLUG	12	5	801763381	GASKET SET Cylinder Head	6	22
801763381	GASKET SET Cylinder Head	12	19	801763381	GASKET SET Cylinder Head	50	39
801763381	GASKET SET Cylinder Head	64	16	801763384	WASHER	32	5
801763384	WASHER	36	5	801763387	NOZZLE	4	12
801763388	CONNECTOR	4	14	801763389	FITTING	40	7
801763389	FITTING	148	7	801763391	PISTON	18	9
801763391	PISTON	18	9	801763393	PIN Piston	18	10
801763393	PIN Piston	18	10	801763394	CAMSHAFT	16	1
801763395	CYLINDER HEAD With Valves	12	1	801763438	MANIFOLD Exhaust	36	1
801763439	WELCH PLUG	36	21	801763441	ANGLE Support	44	19
801763443	STUD	36	20	801763444	STUD	36	22
801763445	SCREW	36	4	801763447	TURBO CHARGER	40	1
801763448	NUT	40	22	801763448	NUT	148	22
801763449	BRACKET Turbo Support	40	16	801763449	BRACKET Turbo Support	148	16
801763450	HOUSING	40	10	801763450	HOUSING	148	10
801763451	STUD (M8 x 70)	40	8	801763451	STUD (M8 x 70)	148	8
801763455	PIPE Oil	40	36	801763455	PIPE Oil	148	36
801763456	PIPE Oil	40	11	801763456	PIPE Oil	148	11
801763457	COOLER Air	36	23	801763459	SCREW	38	39
801763461	O-RING	36	33	801763463	COVER Rear	38	36
801763464	PLUG Glow	70	26	801763465	SUPPORT	70	12
801763466	PUMP Injection	44	1	801763467	TUBE Boost Pressure	44	34
801763471	STRIP Manifold Rear	64	11	801763472	GASKET	36	3
801763488	WASHER	38	37	801763507	CLAMP	146	5
801763508	HOSE	80	11	801763523	HOSE	80	10
801763525	LEVER	44	13	801763547	TRANSMISSION (1.5:1 Ratio) Inline	106	24
801763547	TRANSMISSION (1.5:1 Ratio)	108	-	801763547	TRANSMISSION (1.5:1 Ratio)	110	.
801763547	TRANSMISSION (1.5:1 Ratio)	114	-	801763548	TRANSMISSION (2.0:1 Ratio) Inline	106	24
801763548	TRANSMISSION (2.0:1 Ratio)	108	-	801763548	TRANSMISSION (2.0:1 Ratio)	110	.
801763548	TRANSMISSION (2.0:1 Ratio)	114	-	801763549	TRANSMISSION (1.5:1 Ratio) (8 Degrees Down)	106	24
801763549	TRANSMISSION (3.0:1 Ratio)	108	-	801763549	TRANSMISSION (3.0:1 Ratio)	110	.
801763549	TRANSMISSION (3.0:1 Ratio)	114	-	801763554	TRANSMISSION (1.5:1 Ratio)	118	-
801763554	TRANSMISSION (1.5:1 Ratio)	120	-	801763554	TRANSMISSION (1.5:1 Ratio)	124	-
801763555	TRANSMISSION (2.0:1 Ratio) (8 Degrees Down)	106	24	801763555	TRANSMISSION (2.0:1 Ratio)	118	-
801763555	TRANSMISSION (2.0:1 Ratio)	120	-	801763555	TRANSMISSION (2.0:1 Ratio)	124	-

PARTS INDEX

Part No.	Description	Pg.	Ref.no	Part No.	Description	Pg.	Ref.no
801763556	TRANSMISSION (3.0:1 Ratio) (8 Degrees Down)	106	24	801763556	TRANSMISSION (3.0:1 Ratio)	118	-
801763556	TRANSMISSION (3.0:1 Ratio)	120	-	801763556	TRANSMISSION (3.0:1 Ratio)	124	-
801763564	PRECHAMBER	12	14	801763565	PULLEY	26	12
801763585	VALVE Fuel Shut Off	44	11	801763598	BRACKET	56	1
801763599	SPACER	62	33	801763599	SPACER	98	33
801763599	SPACER	100	33	801763600	DIPSTICK	32	15
801763601	TUBE Oil Suction	32	11	801763618	LEVER	44	2
801763624	FLANGE Stern Drive	26	30	801763630	COVER	36	2
801763657	PARTS KIT On Board Spare	2	--	801763685	CYLINDER BLOCK	4	2
801763692	VALVE GUIDE	12	7	801763694	GASKET	32	2
801763695	CRANKSHAFT	22	1	801763696	CAMSHAFT	16	1
801763697	SUCTION TUBE	32	11	801763698	LINE Oil	8	13
801763699	DIPSTICK	32	15	801763700	MANIFOLD Exhaust	36	1
801763701	TURBO CHARGER	40	1	801763701	TURBO CHARGER (808715) Repair Kit	148	1
801763702	COOLER Air	36	23	801763705	RADIATOR INSERT	36	32
801763706	PUMP Injection	44	1	801763709	PRESSURE PIPE Cylinder 1	48	20
801763710	PRESSURE PIPE Cylinder 2	48	21	801763711	PRESSURE PIPE Cylinder 3	48	22
801763712	PRESSURE PIPE Cylinder 4	48	23	801763713	PRESSURE PIPE Cylinder 5	48	24
801763714	CLAMP	48	27	801763716	CLAMP	48	26
801763717	CLAMP	48	25	801763718	RETURN PIPE	48	4
801763719	PIPE Seawater	98	40	801763719	PIPE Seawater	100	40
801763722	PIPE Seawater	98	42	801763722	PIPE Seawater	104	4
801763724	STRIP Manifold Front	64	1	801763739	FILTER Seawater	82	1
801763762	PAN Oil	32	1	801763764	GASKET SET	6	-
801763764	GASKET SET	10	21	801763764	GASKET SET	12	19
801763764	GASKET SET	38	-	801763764	GASKET SET	50	38
801763764	GASKET SET	64	16	801763765	SEAL Rocker Cover	6	4
801763766	ROCKER COVER Front	6	1	801763768	GASKET	6	5
801763769	CONNECTOR	6	18	801763770	O-RING	6	17
801763771	ROCKER COVER Rear	6	2	801763773	NUT	6	9
801763778	PIPE Oil	40	11	801763778	PIPE Oil	148	11
801763779	O-RING	6	10	801763780	REACTIVE ANODE	36	28
801763790	ROCKER COVER Rear	6	3	801763795	HOSE	84	21
801763795	HOSE	86	21	801763809	PIPE	56	8
801763810	PIPE Seawater	62	27	801763831	TUBE Oil Drain	34	25
801763839	PAN Oil	32	1	801763840	TUBE Oil Drain	34	25
801763843	FITTING	56	23	801763853	PLUG	82	2
801763855	ELEMENT	82	5	801763856	O-RING	82	6
801763857	WINDOW	82	7	801763858	COVER	82	8
801763859	SCREW	82	9	801763860	NOZZLE	82	4
801763874	BUSHING	128	7	801763875	MOUNT	4	22
801763880	TUBE	84	42	801763880	TUBE	88	7
801763880	TUBE	90	8	801763900	PIN	128	8
801763900	PIN	130	8	801763900	PIN	130	9
801763908	STUD (M16 x 125)	4	25	801763923	BRACKET Old Design	34	22
801763924	PIPE Oil Drain	34	26	801763960	PIPE Oil Drain	34	26
801763973	CLAMP Old Design	32	20	801763978	SUPPORT	84	5
801763978	SUPPORT	86	5	801763980	BRACE	60	48
801763981	BRACE	84	11	801763981	BRACE	86	11
801763982	PLATE Inboard	60	55	801763996	PIPE Seawater	62	20
801763996	PIPE Seawater	100	42	801763997	HOSE	62	35
801763997	HOSE	98	35	801763997	HOSE	100	35
801764007	DIODE	74	9	801764018	HARNESS ASSEMBLY	76	29
801764116	HARNESS ASSEMBLY	74	13	801764122	INSTRUMENT PANEL ASSEMBLY	76	30
801764123	INSTRUMENT PANEL ASSEMBLY	76	31	801764124	HARNESS ASSEMBLY	76	19
801764125	SWITCH Trailing	76	20	801765006	HOSE	64	12
801765010	VENT PIPE	40	23	801765010	VENT PIPE	148	23
801765011	VENT PIPE	40	23	801765011	VENT PIPE	148	23
801765017	GASKET	44	3	801765025	CONNECTING ROD ASSEMBLY	18	5
801765025	CONNECTING ROD ASSEMBLY	18	5	801765035	HOUSING	128	4
801765035	HOUSING	130	4	801765040	BASE	128	1

PARTS INDEX

Part No.	Description	Pg.	Ref.no	Part No.	Description	Pg.	Ref.no
801765040	BASE	130	1	801765042	BRACKET	128	9
801765045	WASHER Tab	128	6	801765045	WASHER	130	6
801765045	WASHER	130	7	801765058	RING	82	3
801961989	INNER DISC	120	24	801991398	SCREW	114	51
802982204	SOCKET	76	12	804238138	TANK Water	58	2
804238139	TANK Cooling Water	58	1	805013T	PIPE Exhaust Stern Drive	148	37
805045A4	COUPLING	106	15	805045A4	COUPLING Two-Stage Coupler	144	17
805064	ADAPTER Two-Stage Coupler	144	20	80510915	SCREW Two-Stage Coupler	144	18
805110	SNUBBER Two-Stage Coupler	144	19	805112	PUMP Primer	56	26
805114A2	CLEANER ASSEMBLY Air	102	3	805176T	BRACKET	102	1
805177	TUBE Oil New Design	34	30	805266T	PLATE	148	3A
805311	ELEMENT	102	4	805315	CONNECTOR	148	4
805323	VENT TUBE	102	5	805324	STUD Extension	94	18
805375	HOSE	98	19	805375	HOSE	100	19
805376	HOSE Seawater	98	21	805376	HOSE Seawater	100	21
805602A2	ELBOW Exhaust	148	3	805684A2	COUPLING Dual Stage Coupling	28	23
805720	TUBE Oil New Design	34	29	809900816	SCREW	60	47
809902520	SCREW	76	1	809907583	SCREW	74	7
809907688	SCREW (M4 x 12)	74	5	809908111	STUD	58	26
809908132	STUD	58	6	809908147	STUD	58	36
809908402	STUD	28	2	809908402	STUD	106	2
809908402	STUD	144	2	809909067	STUD	58	37
809909808	NUT	84	30	809909808	NUT	86	30
809912506	SCREW	68	5	809912516	SCREW (M8 x 50)	4	18
809912516	SCREW (M8 x 50)	36	30	809912524	SCREW	128	13
809912529	SCREW	6	14	809912529	SCREW	84	4
809912529	SCREW	86	4	809912535	SCREW	40	17
809912535	SCREW	148	17	809912567	SCREW	70	15
809913218	SCREW (M5 x 10)	10	17	809913218	SCREW (M5 x 10)	44	38
809913410	SCREW	32	4	809913410	SCREW	68	3
809913442	SCREW	146	8	809913450	SCREW	32	9
809913466	SCREW (M6 x 16)	32	4	809913466	SCREW (M6 x 16)	32	16
809913466	SCREW (M6 x 16)	44	9	809913466	SCREW (M6 x 16)	84	28
809913466	SCREW (M6 x 16)	86	28	809913477	SCREW Old Design	32	21
809913483	SCREW	62	32	809913483	SCREW	98	32
809913483	SCREW	100	32	809913624	SCREW	62	29
809913624	SCREW	82	15	809913624	SCREW	84	12
809913624	SCREW	86	12	809913624	SCREW	98	29
809913624	SCREW	100	29	809913624	SCREW	106	16
809913624	SCREW	132	21	809913624	SCREW One -Stage Coupler	144	16
809913624	SCREW	146	6	809913624	SCREW	148	3C
809913644	SCREW	26	20	809913644	SCREW	40	6
809913644	SCREW	108	23	809913644	SCREW	148	6
809913657	SCREW (M8 x 25)	58	14	809913657	SCREW (M8 x 25)	68	7
809913662	SCREW	38	38	809913676	SCREW	84	17
809913676	SCREW	86	17	809913676	SCREW	108	4
809913676	SCREW	118	4	809913689	SCREW	26	24
809913815	SCREW	80	2	809913815	SCREW	98	37
809913815	SCREW	100	37	809913815	SCREW	102	2
809913815	SCREW	128	2	809913815	SCREW	130	2
809913834	SCREW	70	19	809913837	SCREW	28	7
809913837	SCREW	106	7	809913837	SCREW	106	18
809913837	SCREW	128	10	809913837	SCREW	132	5
809913837	SCREW	144	7	809913837	SCREW	144	26
809913851	SCREW	132	14	809913859	SCREW	4	17
809913859	SCREW	130	11	809913889	SCREW	128	16
809913908	SCREW	124	48	809915039	SCREW	62	25
809915039	SCREW	98	25	809915039	SCREW	100	25
809917409	BOLT Banjo	64	9	809919016	PLUG	108	11
809919016	PLUG	118	11	809919114	PLUG	58	30
809919131	SCREW (M22 x 1.5)	32	6	809919217	SCREW	36	34

PARTS INDEX

Part No.	Description	Pg.	Ref.no	Part No.	Description	Pg.	Ref.no
809919643	SCREW	108	14	809919669	SCREW Stern Drive	26	32
809919669	SCREW	40	18	809919669	SCREW	56	2
809919669	SCREW	148	18	809919682	SCREW	26	15
809919712	SCREW	58	4	809919821	SCREW Inboard	60	56
809919821	SCREW	84	6	809919821	SCREW	86	6
809919926	SCREW (M6 x 25)	26	23	809919926	SCREW (M6 x 25)	36	6
809919926	SCREW (M6 x 25)	40	27	809919926	SCREW (M6 x 25)	148	27
809919933	SCREW	4	8	809919940	SCREW (M8 x 18)	16	5
809919940	SCREW (M8 x 18)	16	11	809919940	SCREW (M8 x 18)	16	15
809919961	SCREW	36	8	809919962	SCREW Stern Drive	26	31
809919965	SCREW	26	17	809919965	SCREW	64	3
809919967	SCREW	36	24	809919969	SCREW	132	8
809919978	SCREW	60	49	809921038	NUT	70	28
809921077	NUT	36	16	809921607	NUT	8	12
809921607	NUT	8	12	809921631	NUT	70	5
809922028	NUT	74	11	809922038	NUT	44	40
809922038	NUT	44	43	809922038	NUT	70	11
809922087	NUT	28	5	809922087	NUT	40	15
809922087	NUT	48	15	809922087	NUT	56	20
809922087	NUT	58	39	809922087	NUT	60	54
809922087	NUT	62	30	809922087	NUT	82	16
809922087	NUT	84	34	809922087	NUT	88	11
809922087	NUT	90	12	809922087	NUT	104	8
809922087	NUT	146	7	809922113	NUT	56	4
809922113	NUT	70	21	809922113	NUT	130	13
809922133	NUT	44	29	809922133	NUT	66	7
809922410	NUT	34	28	809922410	NUT	40	35
809922410	NUT	44	7	809922410	NUT	70	30
809922410	NUT	148	35	809922417	NUT	80	6
809922426	NUT	4	20	809922426	NUT	70	17
809922426	NUT	70	25	809922426	NUT	84	16
809922426	NUT	86	8	809922426	NUT	86	16
809922426	NUT	106	22	809922426	NUT	128	11
809922426	NUT	132	22	809922430	NUT	128	15
809922457	NUT (M16)	4	23	809922714	NUT	84	8
809922800	NUT	26	9	809922800	NUT Old Design	34	24
809922800	NUT	58	28	809922800	NUT	62	18
809922800	NUT	64	6	809922800	NUT	74	6
809922800	NUT	98	18	809922800	NUT	146	9
809923100	NUT	128	5	809923100	NUT	130	5
809930840	LOCKWASHER	16	6	809930840	LOCKWASHER	44	32
809930840	LOCKWASHER	48	16	809930840	LOCKWASHER	132	9
809930840	LOCKWASHER	148	3D	809931036	WASHER	10	18
809931036	WASHER	34	27	809931036	WASHER	40	34
809931036	WASHER	44	6	809931036	WASHER	70	10
809931036	WASHER	148	34	809931044	WASHER	32	3
809931044	WASHER	32	3	809931044	WASHER	80	7
809931067	WASHER	6	13	809931067	WASHER	26	25
809931067	WASHER	28	3	809931067	WASHER	60	53
809931067	WASHER	62	36	809931067	WASHER	70	16
809931067	WASHER	70	24	809931067	WASHER	84	29
809931067	WASHER	84	33	809931067	WASHER	86	29
809931067	WASHER	88	10	809931067	WASHER	90	11
809931067	WASHER	98	27	809931067	WASHER	104	7
809931067	WASHER	106	3	809931067	WASHER	106	21
809931067	WASHER	144	3	809931076	LOCKWASHER	4	7
809931076	LOCKWASHER	28	36	809931076	LOCKWASHER	56	3
809931076	LOCKWASHER	70	20	809931076	LOCKWASHER	106	19
809931076	LOCKWASHER	130	12	809931076	LOCKWASHER	144	27
809931084	WASHER	128	17	809931088	LOCKWASHER	70	14
809931652	WASHER	44	8	809931660	WASHER	16	16

PARTS INDEX

Part No.	Description	Pg.	Ref.no	Part No.	Description	Pg.	Ref.no
809931682	WASHER Inboard	60	57	809931682	WASHER	84	7
809931682	WASHER	86	7	809932047	LOCKWASHER	44	39
809932047	LOCKWASHER	70	27	809932071	LOCKWASHER	26	8
809932071	LOCKWASHER	32	10	809932071	LOCKWASHER Old Design	34	23
809932071	LOCKWASHER	36	7	809932071	LOCKWASHER	36	25
809932071	LOCKWASHER	58	27	809932071	LOCKWASHER	64	4
809932071	LOCKWASHER	68	4	809932093	LOCKWASHER	36	17
809932095	LOCKWASHER	16	12	809932095	LOCKWASHER	26	21
809932095	LOCKWASHER	28	4	809932095	LOCKWASHER	36	15
809932095	LOCKWASHER	36	31	809932095	LOCKWASHER	40	14
809932095	LOCKWASHER	44	15	809932095	LOCKWASHER	56	19
809932095	LOCKWASHER	58	7	809932095	LOCKWASHER	58	38
809932095	LOCKWASHER	68	6	809932095	LOCKWASHER	94	19
809932095	LOCKWASHER	106	4	809932095	LOCKWASHER	108	5
809932095	LOCKWASHER	118	5	809932095	LOCKWASHER	144	4
809932095	LOCKWASHER	148	14	809932104	LOCKWASHER	40	19
809932104	LOCKWASHER	148	19	809932110	LOCKWASHER	22	8
809932110	LOCKWASHER	22	8	809932112	LOCKWASHER	28	8
809932112	LOCKWASHER	106	8	809932112	LOCKWASHER	144	8
809932132	LOCKWASHER	66	6	809932646	LOCKWASHER	44	16
809932852	E CLIP	44	17	809933096	LOCKWASHER	82	10
809933127	LOCKWASHER	44	28	809933127	LOCKWASHER	130	15
809933149	LOCKWASHER	70	4	809933251	LOCKWASHER	26	16
809934175	RING	128	12	809934175	RING	130	10
809936436	WASHER	128	3	809936436	WASHER	130	3
809937241	PLUG	4	4	809937332	PLUG	58	35
809941385	PIN Dowel	108	18	809941485	PIN	22	14
809951453	KEY	70	9	809952104	CLAMP	6	15
809963034	WASHER Sealing	48	2	809963042	O-RING	10	15
809963042	O-RING	10	15	809963042	O-RING	48	8
809963072	WASHER	4	15	809963072	WASHER	38	35
809963072	WASHER	40	25	809963072	WASHER	44	36
809963072	WASHER	148	25	809963129	WASHER	48	10
809963129	WASHER	56	14	809963130	WASHER Sealing	40	29
809963130	WASHER Sealing	64	10	809963130	WASHER Sealing Ring	148	29
809963200	O-RING	58	29	809963201	WASHER	4	11
809963201	WASHER Old Design	32	18	809963201	WASHER	34	34
809963201	WASHER	38	41	809963201	WASHER	48	12
809963201	WASHER	56	10	809963201	WASHER	56	22
809963201	WASHER	58	13	809963201	WASHER	60	52
809963252	O-RING	108	7	809963252	O-RING	118	7
809963308	WASHER Sealing	36	27	809963342	O-RING	12	6
809963342	O-RING	52	11	809963342	O-RING	54	9
809963354	WASHER	40	13	809963354	WASHER	148	13
809963355	WASHER	52	8	809963355	WASHER	54	14
809963355	WASHER	58	20	809963355	WASHER	88	17
809963355	WASHER	90	16	809963467	SEAL	58	18
809964543	CONNECTOR	52	12	809964543	CONNECTOR	54	10
809964543	CONNECTOR	58	21	809964543	CONNECTOR	90	18
809978254	LIGHT BULB	76	11	809985082	BEARING Roller	114	41
809985082	BEARING Roller	124	41	809986298	BALL	114	34
809986298	BALL	124	34	809987302	PIN	44	5
811454	BOLT	106	13	811454	BOLT	144	13
811489	VALVE Inlet	12	17	811893A1	O-RING	18	4
811893A1	O-RING	18	4	812390	PLUG	76	28
812391	TRIM INDICATOR GAUGE	76	24	812658	FILLER NECK	58	3
812694	HARNESS ASSEMBLY Override	76	25	8126994	HOSE	132	19
813278	HOUSING	136	1	813279	COVER	136	2
813280	VENT CAP	136	3	813281	LOCKWASHER	136	4
813282	SCREW	136	5	813283	SCREW	136	6
813284	SCREW	136	7	813285	SCREW	136	8

PARTS INDEX

Part No.	Description	Pg.	Ref.no	Part No.	Description	Pg.	Ref.no
813286	SEAL	136	9	813287	SCREW	136	10
813288	PLATE Retaining	136	11	813289	HOSE	136	12
813290	PLATE Baffle	136	13	813291	PIN Dowel	136	14
813292	SEAL	136	15	813293	LOCKWASHER	136	16
813294	SCREW	136	17	813295	CONTROL BLOCK	136	18
813296	SCREW	136	19	813297	WASHER	136	20
813298	LEVER Shift	136	21	813299	NUT	136	22
813300	SWITCH	136	23	813301	GASKET	136	24
813302	PLUG	136	25	813303	WASHER	136	26
813304	COVER KIT	136	27	813305	DIPSTICK	136	31
813306	SHAFT Input	140	1	813307	BEARING Roller	140	2
813308	GEAR	140	3	813308	GEAR	140	4
813309	WASHER Inner	140	5	813311	BEARING Tapered Roller Outer	140	6
813312	RING	140	7	813313	KEY	140	8
813314	BEARING	140	9	813315	SHIM (.10 mm)	140	10
813316	SHIM (.15 mm)	140	11	813317	SHIM (.20 mm)	140	12
813318	SHIM (.50 mm)	140	13	813319	DISC	140	14
813320	DISC	140	15	813321	RING	140	16
813322	PRESSURE DISC	140	17	813323	BEARING Tapered Roller Inner	140	18
813324	BEARING Tapered Roller Outer	140	19	813325	BEARING Tapered Roller Inner	140	20
813326	BEARING Tapered Roller Outer	140	21	813327	SCREW	140	22
813328	SPACER	140	23	813329	O-RING	140	24
813330	FLANGE Output	140	25	813331	BEARING Tapered Roller	140	26
813332	BEARING Tapered Roller Inner	140	27	813333	BEARING Tapered Roller Outer	140	228
813334	SHIM (.10 mm)	140	29	813335	SHIM (.15 mm)	140	30
813336	SHIM (.30 mm)	140	31	813337	SHIM (.50 mm)	140	32
813338	GEAR (1.5:1 Ratio)	140	33	813339	SHAFT Intermediate (1.5:1 Ratio)	140	34
813340	SHAFT Output (1.5:1 Ratio)	140	35	813341	GEAR (2.0:1 Ratio)	140	36
813342	SHAFT Intermediate (2.0:1 Ratio)	140	37	813342	SHAFT Intermediate (2.0:1 Ratio)	140	38
813344	GEAR (2.5:1 Ratio)	140	39	813345	SHAFT Intermediate (2.5:1 Ratio)	140	40
813346	SHAFT Output (2.5:1 Ratio)	140	41	813406	O-RING	136	30
813407	O-RING	136	29	81361493	PARTS MANUAL 530 D-TA / 636 D -TA D183 TURBO AC/D219AC	2	--
813708	SWITCH Tempature	132	11	813905	INSTRUMENT PANEL	76	26
814017A1	HARNESSE ASSEMBLY	74	1	814078	SENDER Oil Temperature	60	51
814079	SENDER Water Temperature	38	40	8140991	SERVICE MANUAL	2	-
814181A1	HARNESSE ASSEMBLY	132	12	814252	PIPE Seawater	100	38
814255	PUMP Water	68	1	814374	CONNECTOR	58	21
814374	CONNECTOR	88	19	814873	CAM	62	12
814873	CAM	98	12	814873	CAM	100	12
814874	PUMP ASSEMBLY Seawater	62	1	814874	PUMP ASSEMBLY Seawater	98	1
814874	PUMP ASSEMBLY Seawater	100	1	815169	BOLT Banjo	88	16
815170	ELBOW 90 Degrees	88	15	815172	SEAL	58	42
815173	SEAL	60	43	815183	HOSE	84	23
815183	HOSE	86	23	815419	FLUID FILTER KIT	136	28
815504220	CLAMP Worm Gear	100	41	815516	HOSE Oil	90	14
815517	HOSE Oil	90	17	815529	TUBE Exhaust Stern Drive	150	42
815838A1	HEAD ASSEMBLY Oil Filter	58	16	816193	GEAR Injector Pump	16	8
816699	BRACKET	132	7	817077	GASKET	148	3B
817089	GASKET	148	32	818481	PUMP Oil Later Models	16	9
818482	COVER Later Models	26	1	818945	COUPLER Dual Stage Coupling	28	29
821063930	OWNERS MANUAL Stern Drive, New Design	2	--	821067930	OWNERS MANUAL Inboard New Design	2	--
821749	GASKET (1.42MM)	14	28	821750	GASKET (1.52MM)	14	28
821751	GASKET (1.62MM)	14	28	822567A1	GASKET SET	4	9
822567A1	GASKET SET	6	-	822567A1	GASKET SET	10	19
822567A1	GASKET SET	16	-	822567A1	GASKET SET	18	13
822567A1	GASKET SET	24	18	822567A1	GASKET SET	26	33
822567A1	GASKET SET	28	37	822567A1	GASKET SET	34	35
822567A1	GASKET SET	38	-	822567A1	GASKET SET	42	-
822567A1	GASKET SET	50	36	822567A1	GASKET SET	52	13
822567A1	GASKET SET	56	24	822567A1	GASKET SET	60	58

PARTS INDEX

Part No.	Description	Pg.	Ref.no	Part No.	Description	Pg.	Ref.no
822567A1	GASKET SET	64	14	822567A1	GASKET SET	68	9
822567A1	GASKET SET	150	-	822570A1	GASKET SET Overhaul	4	9
822570A1	GASKET SET Overhaul	6	-	822570A1	GASKET SET Overhaul	10	20
822570A1	GASKET SET Overhaul	16	-	822570A1	GASKET SET Overhaul	18	14
822570A1	GASKET SET Overhaul	24	19	822570A1	GASKET SET Overhaul	26	34
822570A1	GASKET SET Overhaul	30	38	822570A1	GASKET SET Overhaul	34	36
822570A1	GASKET SET Overhaul	38	-	822570A1	GASKET SET Overhaul	42	-
822570A1	GASKET SET Overhaul	50	37	822570A1	GASKET SET Overhaul	54	11
822570A1	GASKET SET Overhaul	56	25	822570A1	GASKET SET Overhaul	60	59
822570A1	GASKET SET Overhaul	64	15	822570A1	GASKET SET Overhaul	68	10
822570A1	GASKET SET Overhaul	150	-	85181	BOLT	82	17
85484	SCREW	96	5	88280	ADAPTER Booster Valve	92	9
88281	SCREW (.500-20 x 1.750) Adaptor	92	13	88282	SLEEVE Adaptor Bracket	92	7
88283	PIN Retaining Booster Cylinder	92	5	88285	ADAPTER Steering Tube	92	15
88286	BUSHING Steering Tube	92	26	88287	GUIDE Steering Tube	92	19
88791	MOUNT	28	34	89229	PIN Clevis	92	29
89645A15	CYLINDER ASSEMBLY Power Steering	92	-	910002	STUD	132	2
91016	PLUG	148	3E	92054	TUBE	92	2
92055	TUBE	92	3	9235737	HOSE ASSEMBLY	88	14
9235754	HOSE Oil	88	18	92766	LOCK Coupler Nut	92	27
92850	CLAMP Clip, New Design	34	32	94953A1	BRACKET ASSEMBLY	92	4
95084A13	CABLE ASSEMBLY (64.00 Inches) Fuse (Long Red)	72	8	95084A2	CABLE ASSEMBLY Fuse (Short Red)	72	10
95803	BUSHING Pivot	92	24	95848A1	CLEVIS ASSEMBLY Rod End	92	21
96112	STUD (.250-28 x 2.00) Throttle Cable Anchor	44	24	96112	STUD (.250-28 x 2.00) Throttle Cable Anchor-Shift Cable	94	12
96511A1	TUBE ASSEMBLY Steering Steering	92	18	97432A2	COUPLING ASSEMBLY Single State Coupling	28	18
97477A3	STUD KIT	106	23	97477A3	STUD KIT	108	25
97477A3	STUD KIT	132	10	98798	STUD Shift Cable	94	2
98820	SPACER Shift Cable Stud	94	9	98828	SPACER	94	4
9884339	HOSE ASSEMBLY (72.00 Inches Bulk)	84	25	9884339	HOSE ASSEMBLY (72.00 Inches Bulk)	86	25
98880	SPRING Shift Cable Stud	94	7	99237A10	BRACKET ASSEMBLY	94	1
99322	SPACER	28	33	99356A2	COOLER ASSEMBLY	84	31
99356A2	COOLER ASSEMBLY	88	3	99356A2	COOLER ASSEMBLY	90	3