

**Parts Manual**

**Cat.# 90-99964**

**Revised 09-12-2020**

# TABLE OF CONTENTS

Cat.# 90-99964

SERVICE/SUPPORT MATERIAL.....	1
Maintenance Kits.....	3
DRIVE UNIT CHART.....	5
TRANSOM PLATE AND SHIFT CABLE.....	9
GIMBAL HOUSING SQUARE/SPLINED UPPER SWIVEL SHAFT.....	13
GIMBAL HOUSING SQUARE/SQUARE UPPER SWIVEL SHAFT.....	19
GIMBAL RING AND STEERING LEVER.....	25
BELL HOUSING.....	29
DRIVESHAFT HOUSING AND DRIVE GEARS.....	33
DRIVESHAFT HOUSING AND DRIVESHAFT.....	37
GEAR HOUSING (Driveshaft) - R.....	41
GEAR HOUSING Propeller Shaft - R.....	49
GEAR HOUSING (DRIVESHAFT) - MR.....	55
GEAR HOUSING (PROPELLER SHAFT) - MR.....	61
GEAR HOUSING (DRIVESHAFT) - (COUNTER ROTATION).....	67
GEAR HOUSING (PROPELLER SHAFT) -(COUNTER ROTATION).....	73
HYDRAULIC PUMP AND BRACKET OILDYNE PUMP/METAL RESERVOIR.....	79
HYDRAULIC PUMP OILDYNE PUMP / METAL RESERVOIR.....	83
HYDRAULIC PUMP AND BRACKET PRETOLITE PUMP.....	85
HYDRAULIC PUMP PRESTOLITE PUMP.....	89
HYDRAULIC PUMP AND BRACKET OILDYNE PUMP/ PLASTIC RESERVOIR.....	91
HYDRAULIC PUMP OILDYNE PUMP/ PLASTIC RESERVOIR.....	93
POWER TRIM CYLINDER REPAIR KITS.....	95
TRIM CYLINDERS AND HYDRAULIC HOSES.....	97
POWER STEERING COMPONENTS.....	101
AUTO TRIM COMPONENTS.....	103
MERCATHODE KIT.....	107
CONTINUITY KIT.....	109

SERVICE/SUPPORT MATERIAL

**Cat.# 90-99964**

**SERVICE/SUPPORT MATERIAL**

<b>Ref #</b>	<b>Part Class</b>	<b>Part Number</b>	<b>Description</b>	<b>Comments</b>	<b>Qty</b>	<b>Note</b>
-	0090	99964	PARTS MANUAL R/MR ALPHA ONE STERNDRIVE Service		1	
-	0090	129342	SERVICE MANUAL		1	

---

SERVICE/SUPPORT MATERIAL

Maintenance Kits

## Maintenance Kits

Ref #	Part Class	Part Number	Description	Comments	Qty	Note
-	0000	8M0147054	MAINTENANCE KIT Alpha One (100 Hours)		1	
-	0027	94996T2	GASKET SET		1	[1]
-	0097	888756K02	ANODE KIT		1	[2]
-	0026	830749	SEAL		2	
-	0000	8M0147072	MAINTENANCE KIT Alpha One (300 Hours)		1	
-	0097	888756K02	ANODE KIT		1	[2]
-	0026	830749	SEAL		2	
-	0030	803097T1	SEAL KIT Transom		1	
-	0000	865436A02	SHIFT CABLE		1	[3]
-	0047	89984T5	IMPELLER KIT Water Pump		1	[4]
-	0022	8M0058389	SCREW KIT Drain		1	
-	0010	79953A04	PLUG ASSEMBLY (.375-16 x .250)		1	

**PART NOTES:**

- [1] - Alternate part numbers:  
94996A 2Service Part  
94996Q 2QS  
94996T 2MPP
- [2] - Alternate part numbers:  
888756K02MPP  
888756Q04QS
- [3] - Alternate part numbers:  
865436A02Service Part  
865436A03Kit
- [4] - Alternate part numbers:  
89984Q 5QS  
89984T 5MPP

## DRIVE UNIT CHART

**RESOURCE NOTES:**

If trim cylinder casting numbers are 14035-1 or 14034-1, (Trim cyl. tube length 16-3/16") order the following parts: (10-90126 Screw), (14034A3 Trim Cyl. Assm. STBD.), (14035A3 Trim Cyl. Assm. PORT), and (32-99902-1 Hose-STDB.)

If trim cylinder casting numbers are 98703, 98704, 98703-1, or 98704-1, (Trim cyl. tube length 15-9/16") order the following parts: (10-88432 Screw), (98704A3 Trim Cyl. Assm. STBD.), (98703A3 Trim Cyl. Assm. PORT), (32-99902 Hose-STDB.), (32-99903 Hose-Port), (Gimble Housing Assembly Complete 6-00019003)

---

**DRIVE UNIT CHART**

## DRIVE UNIT CHART

Ref #	Part Class	Part Number	Description	Comments	Qty	Note
-	1547	9412A23	HOUSING ASSEMBLY Driveshaft COMPLETE	(ALPHA ONE) (BLACK) 1.98 RATIO	--	
-	1547	9412A21	HOUSING ASSEMBLY Driveshaft COMPLETE	(ALPHA ONE) (BLACK) 1.65 RATIO	--	
-	1547	9412A22	HOUSING ASSEMBLY Driveshaft COMPLETE	(ALPHA ONE) (BLACK) 1.84 RATIO	--	[1]
-	1547	9412A20	HOUSING ASSEMBLY Driveshaft COMPLETE	(ALPHA ONE) (BLACK) 1.50 RATIO	--	[2]
-	1547	9412A19	HOUSING ASSEMBLY Driveshaft COMPLETE	(ALPHA ONE) (BLACK) 1.32 RATIO	--	
-	0005	01941017	DRIVESHAFT AND GEAR HOUSING ASSEMBLY Complete	(ALPHA ONE) (BLACK) 1.98	--	
-		5000194CP	DRIVESHAFT AND GEAR HSG ASS'Y COMPLETE	(ALPHA ONE) (BLACK) 1.98 RATIO COUNTER ROTATION)	--	
-		01622017	DRIVESHAFT AND GEAR HOUSING ASSEMBLY Complete	(ALPHA ONE) (BLACK) 1.65 RATIO	--	
-		5000162CP	DRIVESHAFT AND GEAR HSG ASS'Y COMPLETE	(ALPHA ONE) (BLACK)1.65 RATIO (COUNTER ROTATION)	--	
-	0005	01811017	DRIVESHAFT AND GEAR HOUSING ASSEMBLY Complete	1.84 RATIO	--	
-		5000181CP	DRIVESHAFT AND GEAR HSG ASS'Y COMPLETE	1.84 RATIO (COUNTER ROTATION)	--	
-		01471017	DRIVESHAFT AND GEAR HOUSING ASSEMBLY Complete	1.50 RATIO	--	
-		5000147CP	DRIVESHAFT AND GEAR HSG ASS'Y COMPLETE	(ALPHA ONE) (BLACK) 1.50 RATIO (COUNTER ROTATION)	--	
-		01301017	DRIVESHAFT AND GEAR HOUSING ASSEMBLY Complete	(ALPHA ONE) (BLACK) 1.32 RATIO	--	
-	1623	8951A43	GEAR HOUSING ASSEMBLY COMPLETE	(BLACK)	--	[3]
-	1623	8951A33	GEAR HOUSING ASSEMBLY COMPLETE	(COUNTER ROTATION)	--	[4]
-		00013007	GIMBAL HOUSING ASSEMBLY COMPLETE (BLACK)	T(Trim cyl. casting numbers (14034-1 or 14035-1) order Ref. # 7-10.)	--	
1	0010	88432	SCREW (.375-24 x 4.00) GIMBAL RING	(Trim cyl. casting numbers (98703, 98704, or 98703-1) order Ref. # 1-6.)	--	
2	0000	98704A3	TRIM CYLINDER ASSEMBLY (STBD.)	(Trim cyl. casting numbers (98703, 98704, or 98703-1) order Ref. # 1-6.)	--	
3	0000	98703A3	TRIM CYLINDER (TRIM CYLINDER ASSEMBLY (PORT))	(Trim cyl. casting numbers (98703, 98704, or 98703-1) order Ref. # 1-6)	--	
4	0032	99902	HOSE Trim Cylinder (STBD.)	(Trim cyl. casting numbers (98703, 98704, or 98703-1) order Ref. # 1-6.)	--	
5	0032	99903	HOSE Trim Cylinder (PORT)	(Trim cyl. casting numbers (98703, 98704, or 98703-1) order Ref. No# 1-6.)	--	

## DRIVE UNIT CHART



DRIVE UNIT CHART

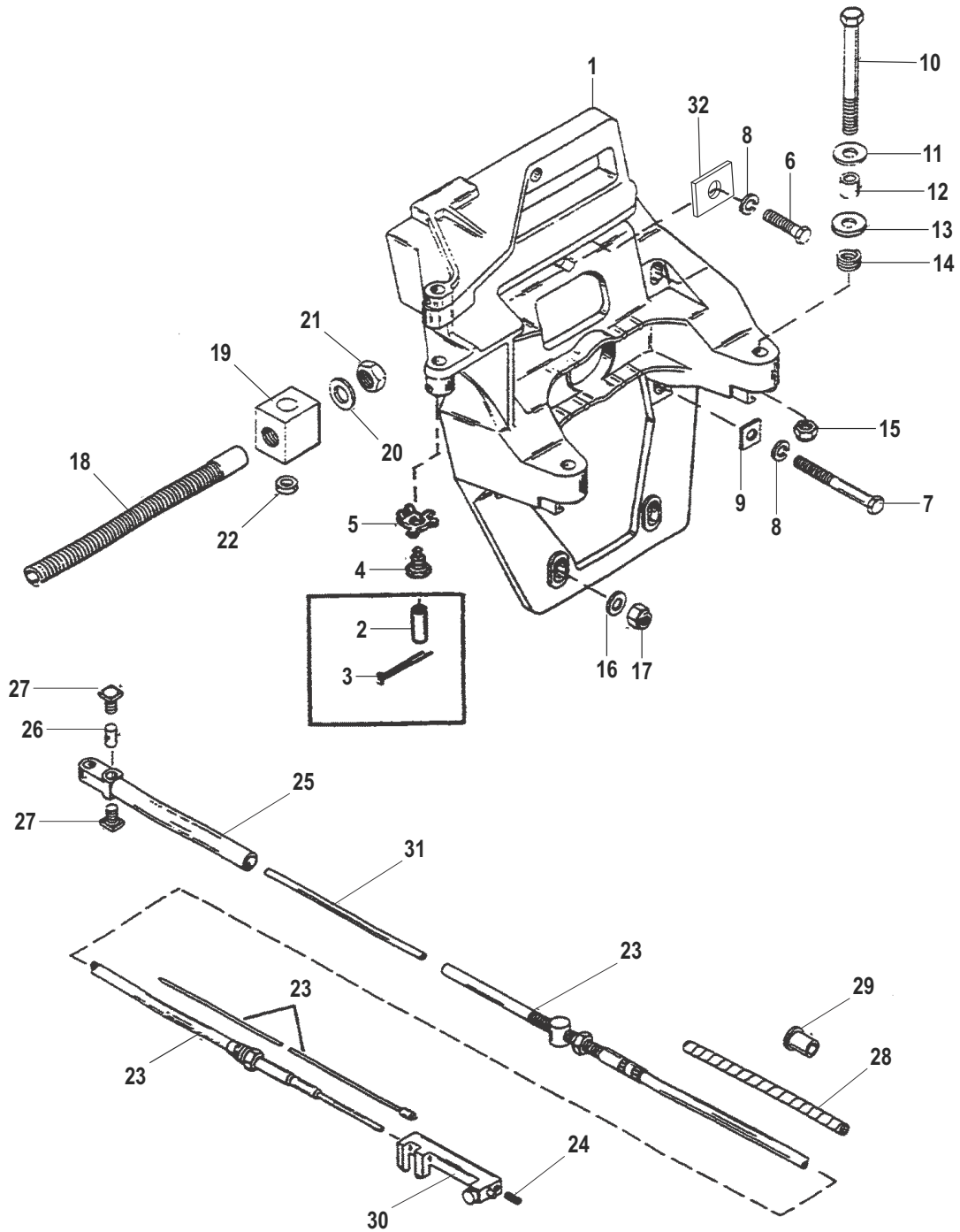
# DRIVE UNIT CHART

Ref #	Part Class	Part Number	Description	Comments	Qty	Note
6		00013007	GIMBAL HOUSING ASSEMBLY COMPLETE (BLACK)	(Trim cyl. casting numbers 98703, 98704, or 98703-1) order Ref. No# 1-6.)	--	
7	0010	90126	SCREW (.375-24 x 3.750) GIMBAL RING	(Trim cyl. casting numbers 14034-1 or 14035-1) order Ref. No# 7-11)	--	
8	0000	14034A3	TRIM CYLINDER ASSEMBLY (STBD)	(Trim cyl. casting numbers 14034-1 or 14035-1) order Ref. No# 7-11.)	--	
9	0000	14035A3	TRIM CYLINDER ASSEMBLY (PORT)	(Trim cyl. casting numbers 14034-1 or 14035-1) order Ref. No# 7-11.)	--	
10	0032	999021	HOSE Trim Cylinder (STBD)	(Trim cyl. casting numbers 14034-1 or 14035-1) order Ref. No# 7-11.)	--	
11	0032	999031	HOSE Trim Cylinder (PORT)	(Trim cyl. casting numbers 14034-1 or 14035-1) order Ref. No# 7-11.)	1	

**PART NOTES:**

- [1] - Alternate part numbers:  
9412A22QS  
9412R22Reman
- [2] - Alternate part numbers:  
9412A20QS  
9412R20Reman
- [3] - Alternate part numbers:  
8951A43QS  
8951R43Reman
- [4] - Alternate part numbers:  
8951A33QS  
8951R33Reman

# TRANSOM PLATE AND SHIFT CABLE



18759

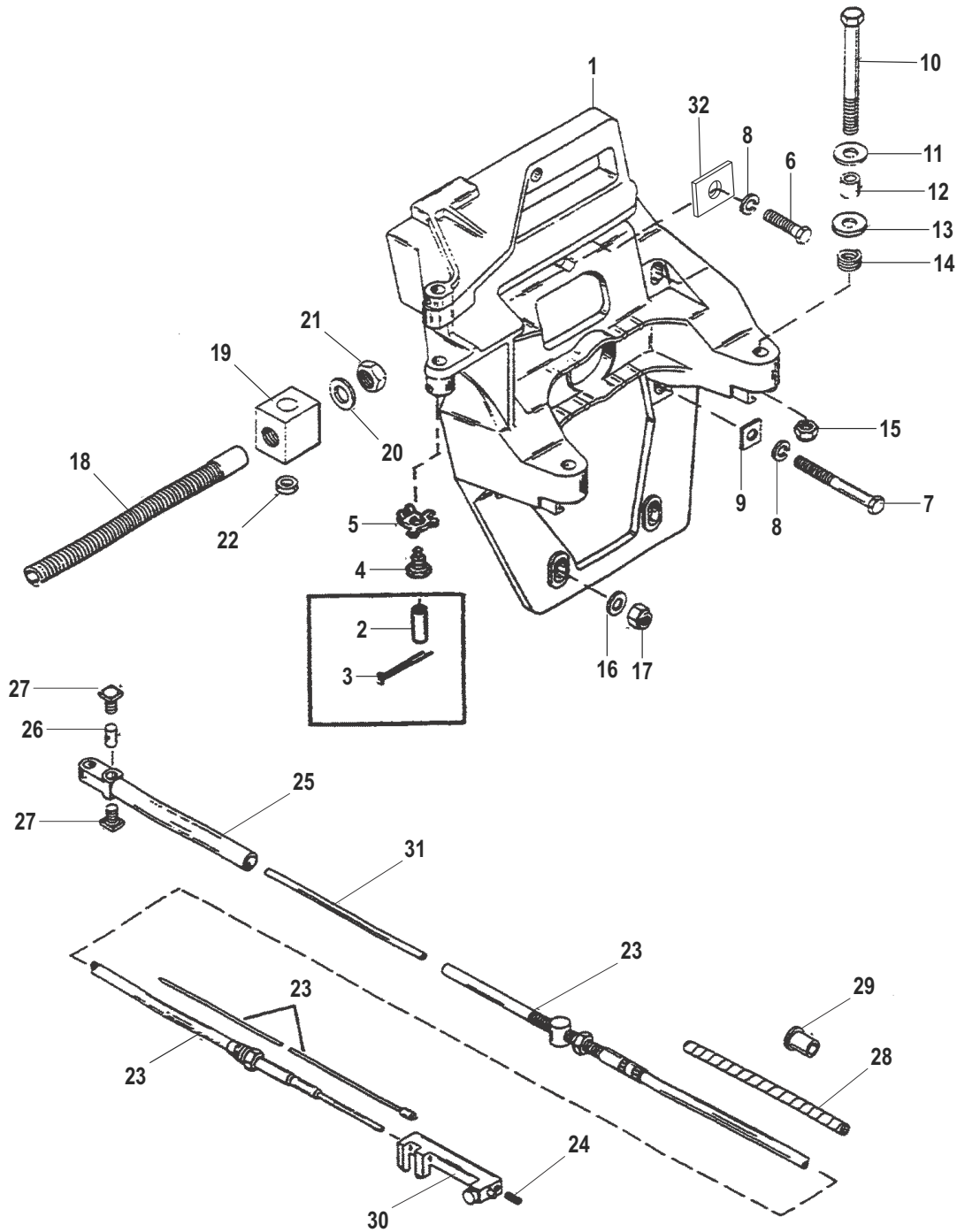
## TRANSOM PLATE AND SHIFT CABLE

## TRANSOM PLATE AND SHIFT CABLE

Ref #	Part Class	Part Number	Description	Comments	Qty	Note
1	0000	44117A8	PLATE ASSEMBLY Transom		1	
2	0017	99938	PIN SWIVEL BLOCK (EARLY MODELS)		2	
3	0018	36377	COTTER PIN RETAINING PIN (EARLY MODELS)		2	
4	0010	42253	BOLT SWIVEL BLOCK (LATER MODELS)		2	
5	0014	42254	WASHER PIVOT BOLT (LATER MODELS)		2	
6	0010	37269	SCREW (.437-14 x 2.00) TRANSOM PLATE TO GIMBAL HOUSING		2	
7	0010	37268	SCREW (.437-14 x 4.250) TRANSOM PLATE TO GIMBAL HOUSING		2	
8	0013	32993	LOCKWASHER (.437) TRANSOM PLATE SCREW		4	
9	0012	37271	WASHER SQUARE - TRANSOM PLATE SCREW		2	
10	0010	97934	SCREW (.500-20 x 5.370) Special TRANSOM PLATE TO FLYWHEEL HOUSING		2	[1]
11	0012	35777	WASHER (.5156 x 1.375 x .125) Aluminum TRANSOM PLATE SCREW		2	[1]
12	0023	99299	SPACER (.520 x .870 x .630) TRANSOM PLATE SCREW		2	[1]
13	0012	32834	WASHER (.9375 x 1.750 x .172) TRANSOM PLATE SCREW (EARLY MODELS)		2	[1]
14	0013	33734	LOCKWASHER (.500) TRANSOM PLATE SCREW		2	[1]
15	0011	99298	NUT (.500-20) TRANSOM PLATE SCREW		2	
16	0012	21900	WASHER GIMBAL HOUSING BOLT		2	
17	0011	34087	NUT GIMBAL HOUSING BOLT		2	
18	0000	96400	TUBE Steering (NON POWER STEERING)		1	
19	0000	95846	SWIVEL BLOCK (NON POWER STEERING)		1	
20	0012	37985	WASHER STEERING TUBE (NON POWER STEERING)		1	
21	0011	37984	NUT (.875-14) STEERING TUBE (NON POWER STEERING)		1	
22	0023	95803	BUSHING BLOCK (NON POWER STEERING)		2	
23	0000	19543A8	CABLE ASSEMBLY Shift		1	[2]
24	0010	31700	SCREW (.250-28 x .750) SHIFT CABLE		1	[3]
-	0000	43433A01	GUIDE KIT		1	
25	0000	43433	GUIDE SHIFT CABLE		1	[3]
26	0000	43436	ANCHOR SHIFT CABLE		1	[3]
27	0010	20518	SET SCREW (#8-32) ANCHOR		2	[3]

## TRANSOM PLATE AND SHIFT CABLE

# TRANSOM PLATE AND SHIFT CABLE



18759

## TRANSOM PLATE AND SHIFT CABLE

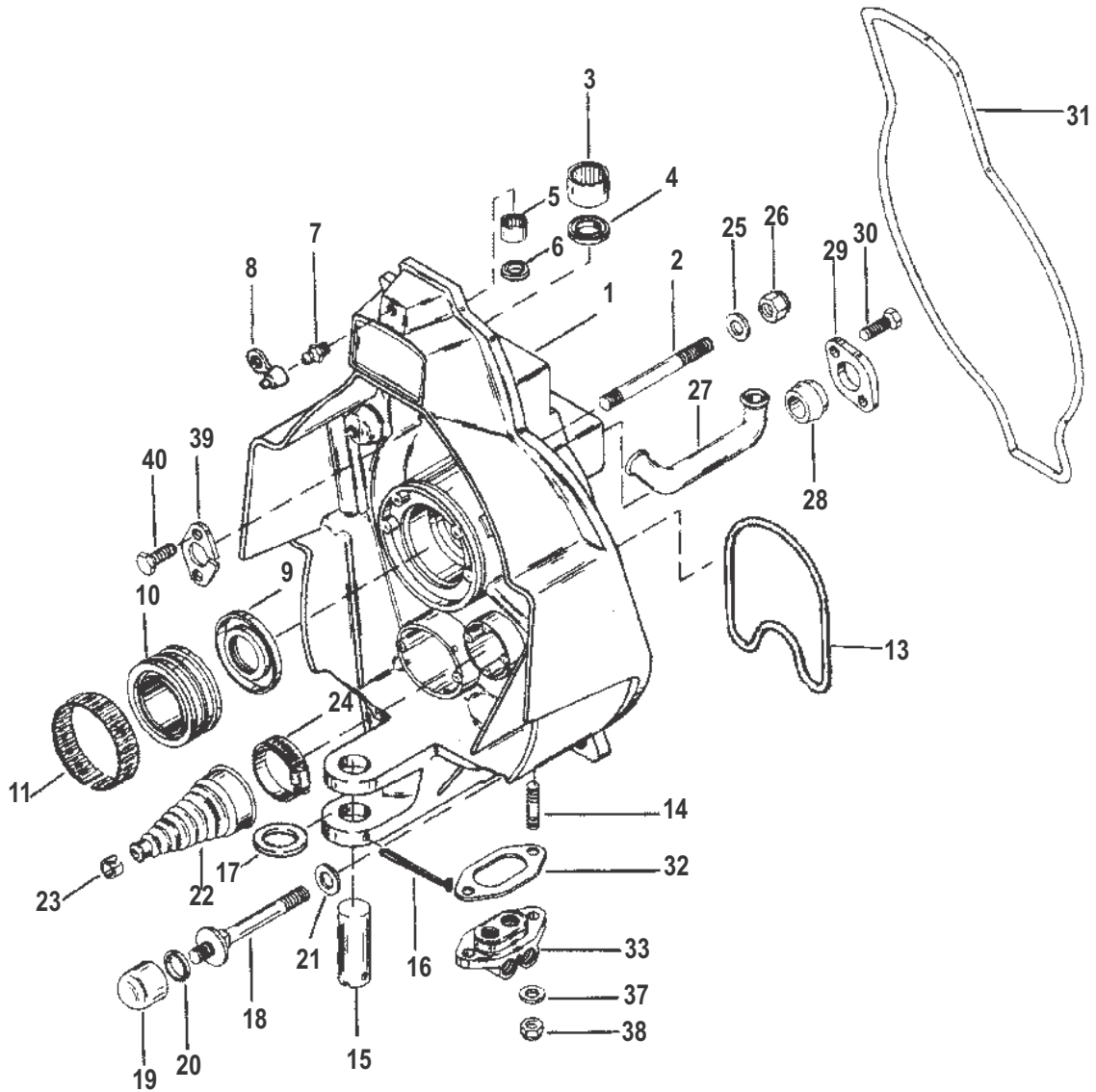
## TRANSOM PLATE AND SHIFT CABLE

Ref #	Part Class	Part Number	Description	Comments	Qty	Note
28	0000	38473	WRAPPING Spiral SHIFT CABLE		1	[3]
29	0000	14705	INSERT NYLON - SHIFT CABLE		1	[3]
30	0000	8507521	SLIDE SHIFT CABLE		1	[3]
31	0032	38377	TUBE SHIFT CABLE (EARLY MODELS ONLY)		1	
32	0012	8M0156764	NUT 1.30 X .90 X .125		2	
-	0010	97934A1	BOLT KIT		1	
-	0000	19543T1	CABLE KIT Shift		1	

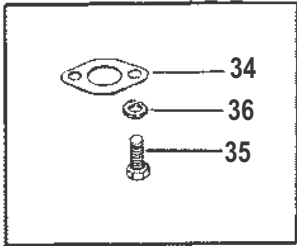
## PART NOTES:

- [1] - COMPONENT OF BOLT KIT - 1 Bolt and Hardware per Kit 97934A 1
- [2] - Alternate part numbers:  
19543A 8Service Part  
865436A03Kit  
COMPONENT OF SHIFT CABLE KIT 19543T 1
- [3] - COMPONENT OF SHIFT CABLE KIT 19543T 1

# GIMBAL HOUSING SQUARE/SPLINED UPPER SWIVEL SHAFT



**Access Hole Plug Kit 22-88847A1**  
 Contains all necessary parts (including template) to allow removal of swivel shaft without removing gimbal housing.



30062

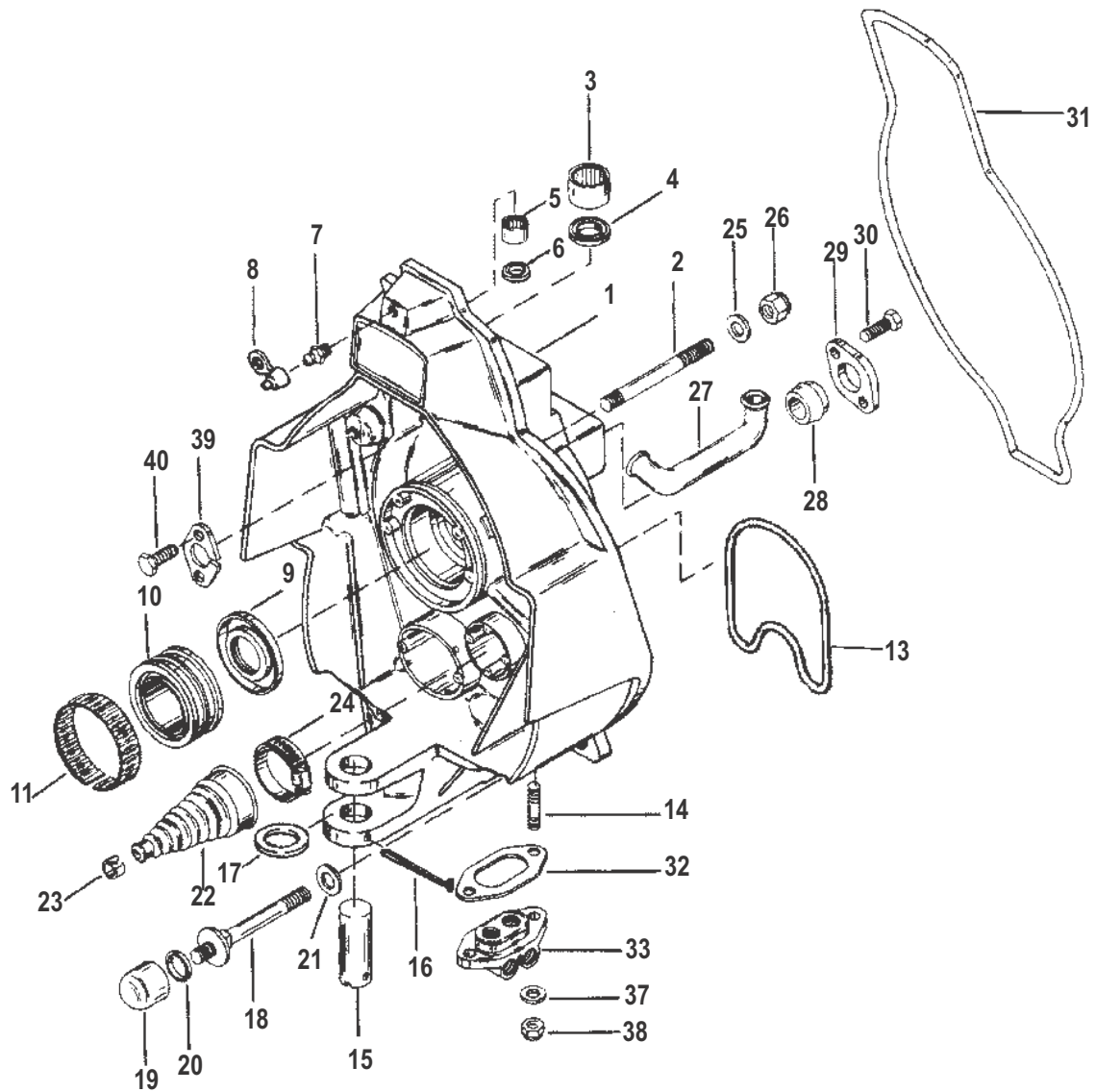
## GIMBAL HOUSING SQUARE/SPLINED UPPER SWIVEL SHAFT

Ref #	Part Class	Part Number	Description	Comments	Qty	Note
1	0000	94989A6	GIMBAL HOUSING ASSEMBLY		1	
2	0016	56296	STUD (.437-20 x 4.750) GIMBAL HOUSING TO TRANSOM PLATE		2	
3	0031	32536	BEARING GIMBAL HOUSING (LOWER)		1	
4	0026	32911	SEAL Oil LOWER GIMBAL HOUSING BEARING		2	
5	0031	21145	BEARING Roller GIMBAL HOUSING (UPPER)		1	
6	0026	54925	SEAL Oil UPPER GIMBAL HOUSING BEARING		1	
7	0022	74036	FITTING Grease GIMBAL HOUSING	(Use with greased bearing)	2	
7	0010	8M2015913	PLUG (.250-28 x .320)	(Use with non-greased bearing)	2	
8	0019	77633Q	LUBRICAP GIMBAL HOUSING GREASE FITTING		2	[1]
9	0026	88416	SEAL Oil GIMBAL HOUSING		1	
10	0030	60794A4	BEARING ASSEMBLY GIMBAL HOUSING		1	[2]
11	0000	61075	TOLERANCE RING GIMBAL HOUSING BEARING		1	[2]
13	0000	41802	SEAL Rubber EXHAUST SEAL		1	
14	0016	56766	STUD (.250-20/.250-28 x 1.380) HYDRAULIC CONNECTOR TO GIMBAL HOUSING		2	
15	0017	45212	PIN Lower Swivel, GIMBAL HOUSING TO GIMBAL RING		1	
16	0018	34212	COTTER PIN LOWER SWIVEL PIN		1	
17	0012	32518	WASHER LOWER SWIVEL PIN		1	
18	0097	55989A8	BOLT ASSEMBLY ANODIC		2	
19	0097	55989Q9	ANODE KIT BOLT		2	[3]
20	0012	56085	WASHER ANODIC BOLT		2	
21	0012	32620	WASHER GIMBAL HOUSING BOLT		2	
22	0000	74639A2	BELLOWS ASSEMBLY SHIFT ACTUATING CABLE		1	[4]
23	0054	38863	CLAMP ACTUATING CABLE BELLOWS		1	[5]
24	0054	815504320	CLAMP Worm Gear ACTUATING CABLE BELLOWS		1	[5]
25	0012	34567	WASHER GIMBAL HOUSING STUD		2	
26	0011	82671015	NUT (.437-20) Stainless Steel GIMBAL HOUSING STUD		2	
27	0032	869071	TUBE WATER -5/8 inch I.D. WATER TUBE		1	
27	0032	416721	TUBE Water WATER (3/4 inch I.D. WATER TUBE)		1	
28	0023	28055	BUSHING RUBBER - WATER TUBE (5/8 inch I.D. WATER TUBE)		1	
28	0023	416751	BUSHING RUBBER - WATER TUBE (3/4 inch I.D. WATER TUBE)		1	

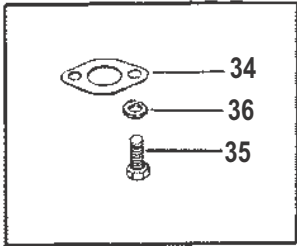
## GIMBAL HOUSING SQUARE/SPLINED UPPER SWIVEL SHAFT



# GIMBAL HOUSING SQUARE/SPLINED UPPER SWIVEL SHAFT



**Access Hole Plug Kit 22-88847A1**  
 Contains all necessary parts (including template) to allow removal of swivel shaft without removing gimbal housing.



30062

## GIMBAL HOUSING SQUARE/SPLINED UPPER SWIVEL SHAFT

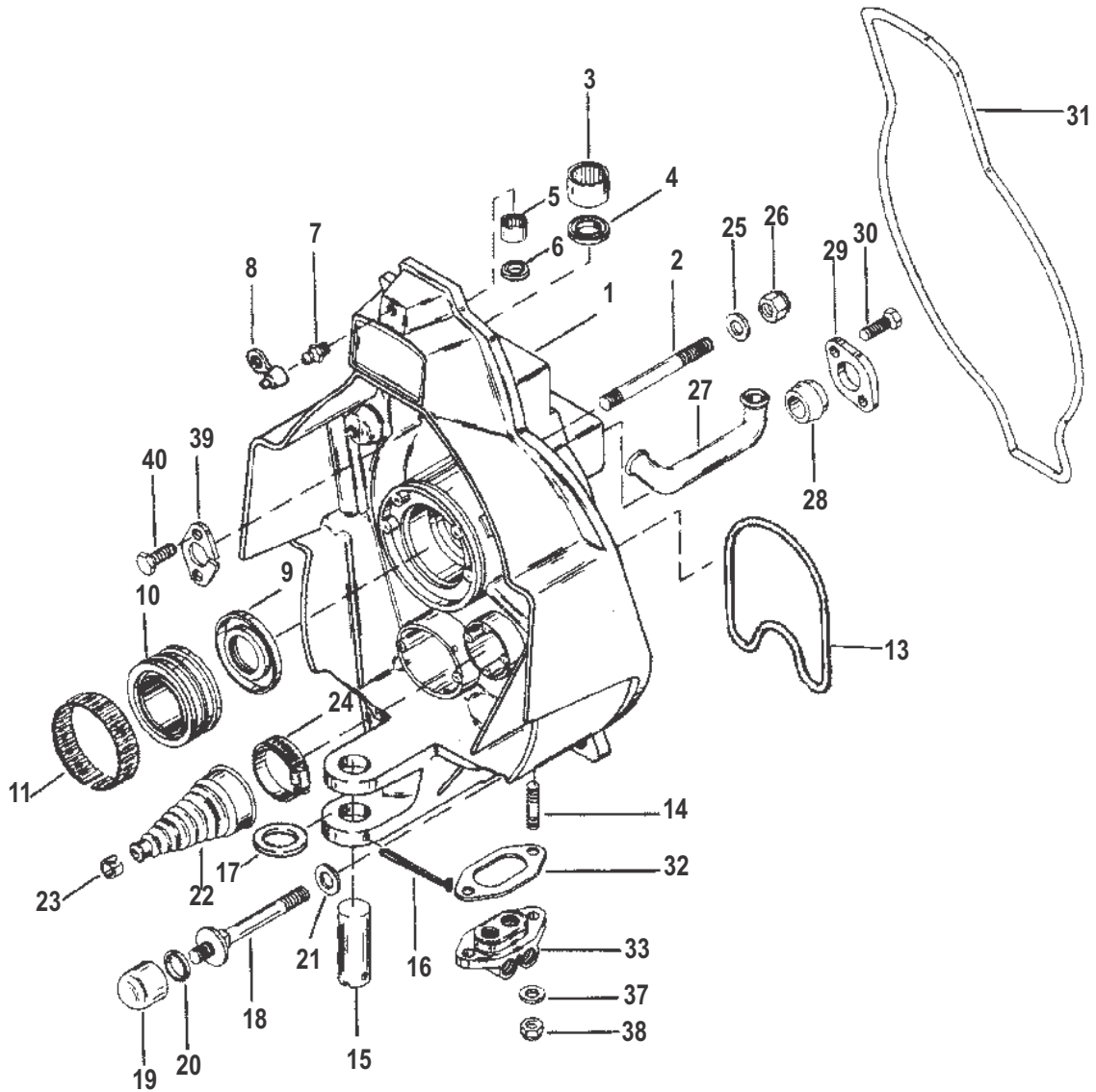
Ref #	Part Class	Part Number	Description	Comments	Qty	Note
29	0000	32517	COVER WATER TUBE (5/8 inch I.D. WATER TUBE)		1	
29	0000	41673	COVER WATER TUBE (3/4 inch I.D. WATER TUBE)		1	
30	0010	28635	SCREW (.250-20 x .620) Stainless Steel COVER TO GIMBAL HOUSING		2	
31	0000	65533A1	SEAL GIMBAL HOUSING TO TRANSOM		1	
32	0027	988231	GASKET HYDRAULIC CONNECTOR		1	
33	0000	98825A4	MANIFOLD ASSEMBLY HYDRAULIC		1	
34	0027	995061	GASKET CONNECTOR COVER		1	
35	0010	28636	SCREW (.250-20 x .750) CONNECTOR COVER		2	
36	0013	78968	LOCKWASHER Internal (.250) CONNECTOR COVER		2	
37	0013	78968	LOCKWASHER Internal (.250) HYDRAULIC CONNECTOR STUD		2	
38	0011	8267119	NUT (.250-28) HYDRAULIC CONNECTOR STUD		2	
39	0000	57322T	COVER GIMBAL HOUSING		1	
40	0010	28635	SCREW (.250-20 x .620) Stainless Steel COVER TO GIMBAL HOUSING		2	
-	0000	19543T1	CABLE KIT Shift		1	
-	0030	803097T1	SEAL KIT Transom (with Exhaust Bellow)		1	
-	0030	803098T1	SEAL KIT Transom (with Exhaust Tube)		1	

## PART NOTES:

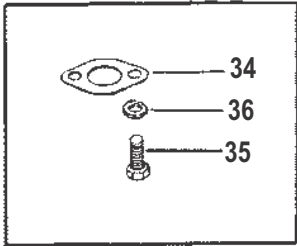
- [1] - Alternate part numbers:  
77633QQS  
77633TMPP  
88633Service Part
- [2] - COMPONENT OF TRANSOM SEAL KIT - w/ Exh. Bellow 803097T 1
- [3] - Alternate part numbers:  
55989A 3Service Part  
55989Q 9QS  
55989T 3Magnesium  
55989T 9MPP
- [4] - Alternate part numbers:  
74639A 2Service Part  
74639Q02QS  
COMPONENT OF SHIFT CABLE KIT 19543T 1  
COMPONENT OF TRANSOM SEAL KIT - w/ Exh. Bellow 803097T 1

GIMBAL HOUSING SQUARE/SPLINED UPPER SWIVEL SHAFT

# GIMBAL HOUSING SQUARE/SPLINED UPPER SWIVEL SHAFT



**Access Hole Plug Kit 22-88847A1**  
 Contains all necessary parts (including template) to allow removal of swivel shaft without removing gimbal housing.



30062

**Cat.# 90-99964**

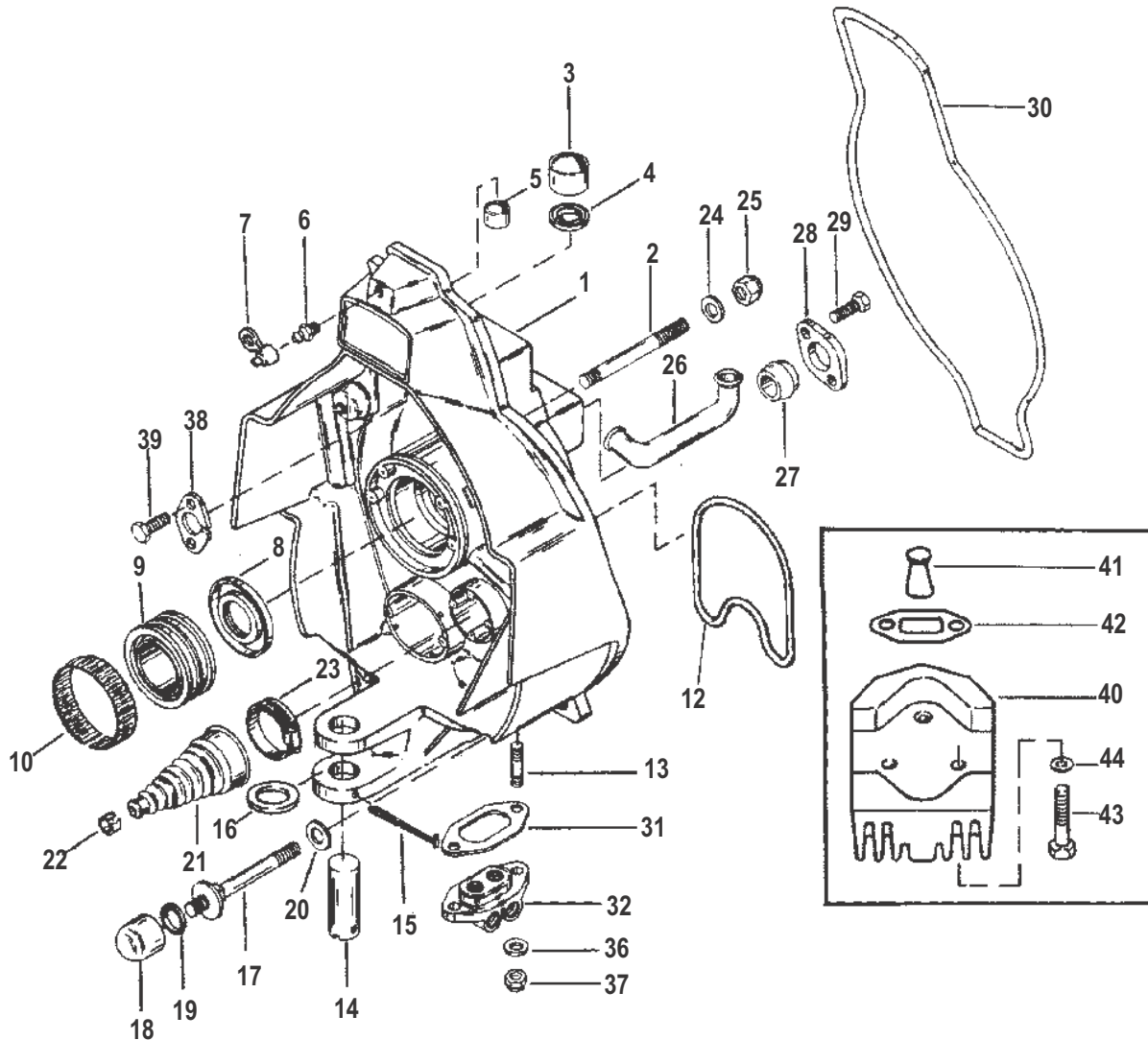
## **GIMBAL HOUSING SQUARE/SPLINED UPPER SWIVEL SHAFT**

- [5] - COMPONENT OF SHIFT CABLE KIT 19543T 1  
COMPONENT OF TRANSOM SEAL KIT - w/ Exh. Bellow 803097T 1

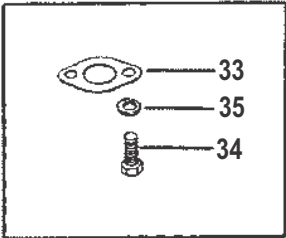
---

GIMBAL HOUSING SQUARE/SPLINED UPPER SWIVEL SHAFT

# GIMBAL HOUSING SQUARE/SQUARE UPPER SWIVEL SHAFT



Access Hole Plug Kit 22-88847A1  
 Contains all necessary parts (including template) to allow removal of swivel shaft without removing gimbal housing.



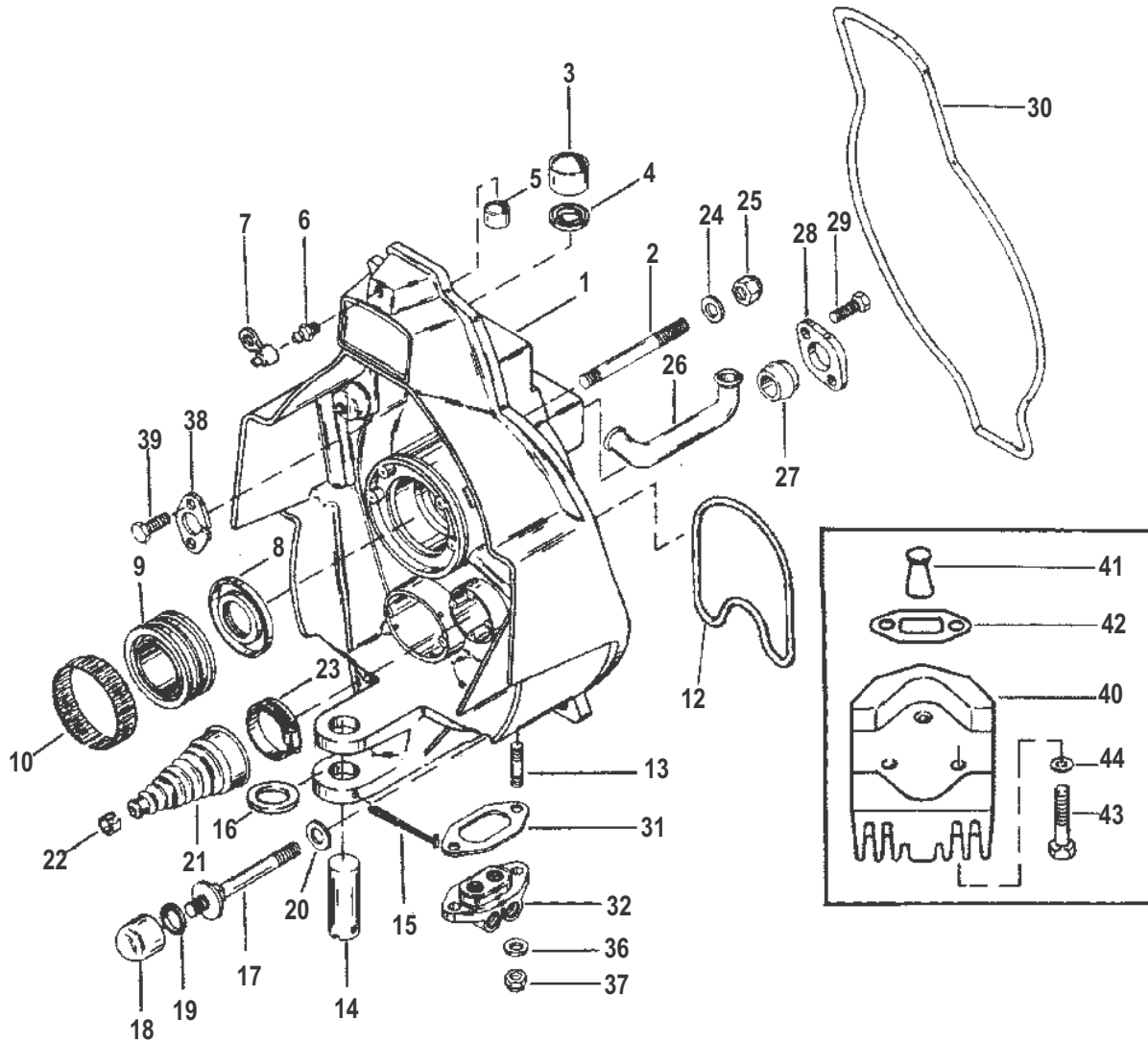
30063

## GIMBAL HOUSING SQUARE/SQUARE UPPER SWIVEL SHAFT

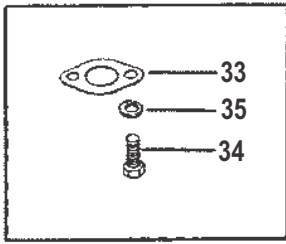
Ref #	Part Class	Part Number	Description	Comments	Qty	Note
1	0000	42260A6	GIMBAL HOUSING ASSEMBLY (BLACK)		1	
2	0016	56296	STUD (.437-20 x 4.750) GIMBAL HOUSING TO TRANSOM PLATE		2	
3	0023	983571	BUSHING GIMBAL HOUSING (LOWER)		1	
4	0026	416071	SEAL Oil LOWER GIMBAL HOUSING BUSHING		2	
5	0023	98356	BUSHING GIMBAL HOUSING (UPPER)		1	
6	0022	74036	FITTING Grease GIMBAL HOUSING	(Use with greased bearing)	2	
6	0010	8M2015913	PLUG (.250-28 x .320)	(Use with non-greased bearing)	2	
7	0019	77633Q	LUBRICAP GIMBAL HOUSING GREASE FITTING		2	[1]
8	0026	88416	SEAL Oil GIMBAL HOUSING		1	
9	0030	60794A4	BEARING ASSEMBLY GIMBAL HOUSING		1	[2]
10	0000	61075	TOLERANCE RING GIMBAL HOUSING BEARING		1	[2]
12	0000	41802	SEAL Rubber EXHAUST SEAL		1	
13	0016	56766	STUD (.250-20/.250-28 x 1.380) HYDRAULIC CONNECTOR TO GIMBAL HOUSING		2	
14	0017	45212	PIN (LOWER) (STEEL)		1	
14	0017	99353	SWIVEL PIN Lower (ALUMINUM)		1	
15	0018	34212	COTTER PIN LOWER SWIVEL PIN		1	
16	0012	32518	WASHER LOWER SWIVEL PIN		1	
17	0097	55989A8	BOLT ASSEMBLY ANODIC		1	
18	0097	55989Q9	ANODE KIT BOLT		2	[3]
19	0012	56085	WASHER ANODIC BOLT		2	
20	0012	32620	WASHER GIMBAL HOUSING BOLT		2	
21	0000	74639A2	BELLOWS ASSEMBLY SHIFT ACTUATING CABLE		1	[4]
22	0054	38863	CLAMP ACTUATING CABLE BELLOWS		1	[5]
23	0054	815504320	CLAMP Worm Gear ACTUATING CABLE BELLOWS		1	[5]
24	0012	34567	WASHER GIMBAL HOUSING STUD		2	
25	0011	82671015	NUT (.437-20) Stainless Steel GIMBAL HOUSING STUD		2	
26	0032	869071	TUBE WATER (5/8 inch I.D. WATER TUBE)		1	
26	0032	41672	TUBE WATER (METAL) (3/4 inch I.D. WATER TUBE)		1	
26	0032	416721	TUBE Water WATER (NYLON) (3/4 inch I.D. WATER TUBE)		1	
27	0023	28055	BUSHING RUBBER - WATER TUBE (5/8 inch I.D. WATER TUBE)		1	

## GIMBAL HOUSING SQUARE/SQUARE UPPER SWIVEL SHAFT

# GIMBAL HOUSING SQUARE/SQUARE UPPER SWIVEL SHAFT



Access Hole Plug Kit 22-88847A1  
 Contains all necessary parts (including template) to allow removal of swivel shaft without removing gimbal housing.



30063

## GIMBAL HOUSING SQUARE/SQUARE UPPER SWIVEL SHAFT

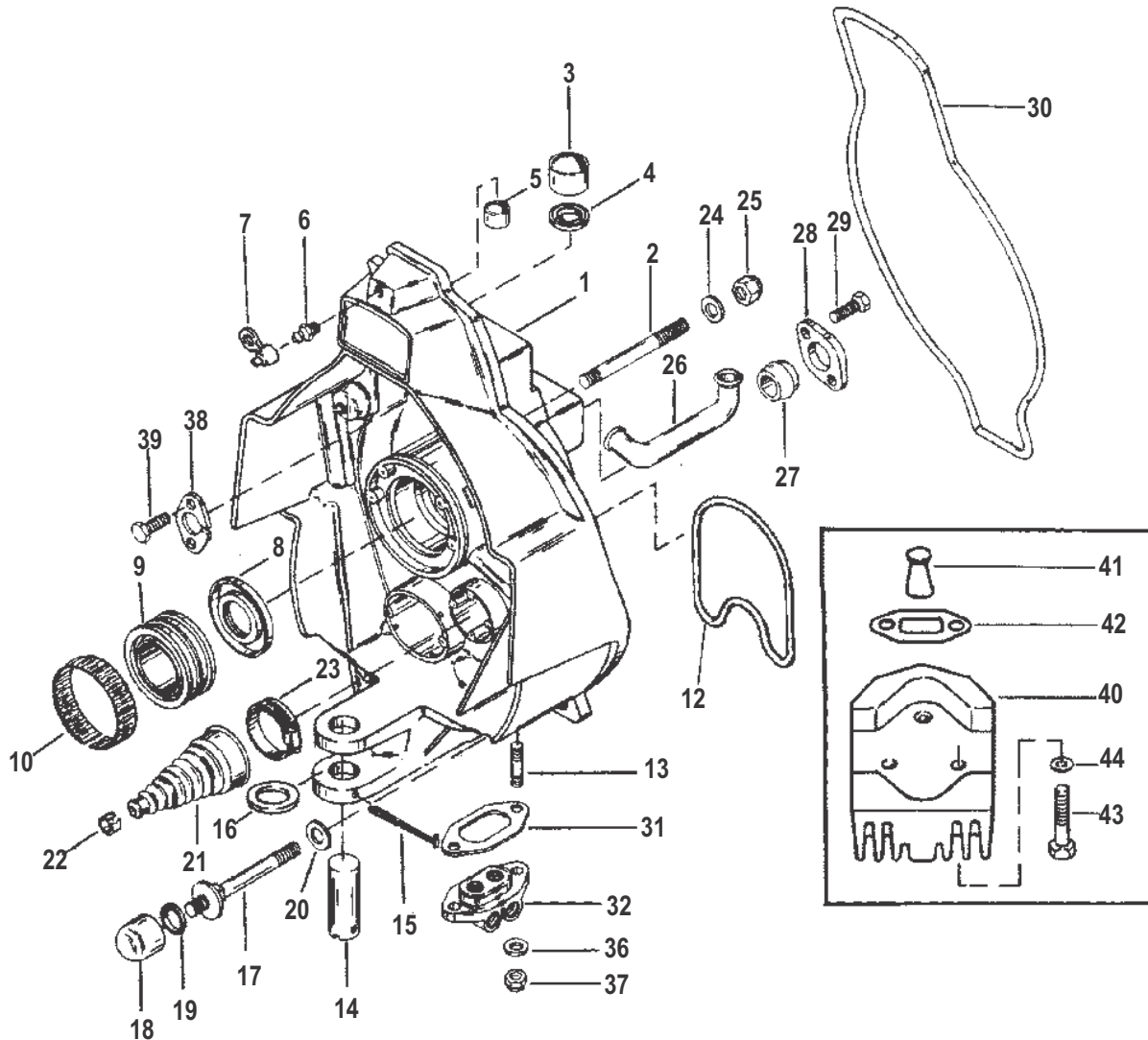
Ref #	Part Class	Part Number	Description	Comments	Qty	Note
27	0023	416751	BUSHING RUBBER - WATER TUBE (3/4 inch I.D. WATER TUBE)		1	
28	0000	32517	COVER WATER TUBE (5/8 inch I.D. WATER TUBE)		1	
28	0000	41673	COVER WATER TUBE (3/4 inch I.D. WATER TUBE)		1	
29	0010	28635	SCREW (.250-20 x .620) Stainless Steel COVER TO GIMBAL HOUSING		2	
30	0000	65533A1	SEAL GIMBAL HOUSING TO TRANSOM		1	
31	0027	988231	GASKET HYDRAULIC CONNECTOR		1	
32	0000	98825A4	MANIFOLD ASSEMBLY HYDRAULIC (BLACK)		1	
33	0027	995061	GASKET CONNECTOR COVER		1	
34	0010	28636	SCREW (.250-20 x .750) CONNECTOR COVER		2	
35	0013	78968	LOCKWASHER Internal (.250) CONNECTOR COVER		2	
36	0013	78968	LOCKWASHER Internal (.250) HYDRAULIC CONNECTOR STUD		2	
37	0011	13438	NUT (.250-28) HYDRAULIC CONNECTOR STUD		2	
38	0000	57322T	COVER GIMBAL HOUSING		1	
39	0010	28635	SCREW (.250-20 x .620) Stainless Steel COVER TO GIMBAL HOUSING		2	
40	0097	821631Q1	PLATE ASSEMBLY ANODIC		1	[6]
41	0000	12077	SEAL		1	
42	0027	995061	GASKET ANODIC PLATE		1	
43	0010	86885	SCREW (.250-20 x 1.500) Stainless Steel ANODIC PLATE		2	
44	0013	78968	LOCKWASHER Internal (.250) ANODIC PLATE SCREW		2	
-	0000	19543T1	CABLE KIT Shift		1	
-	0030	803097T1	SEAL KIT Transom (with Exhaust Bellow)		1	
-	0030	803098T1	SEAL KIT Transom (with Exhaust Tube)		1	

## PART NOTES:

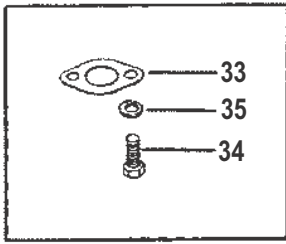
- [1] - Alternate part numbers:  
77633QQS  
77633TMPP  
88633Service Part
- [2] - COMPONENT OF TRANSOM SEAL KIT - w/ Exh. Bellow 803097T 1



# GIMBAL HOUSING SQUARE/SQUARE UPPER SWIVEL SHAFT



Access Hole Plug Kit 22-88847A1  
 Contains all necessary parts (including template) to allow removal of swivel shaft without removing gimbal housing.

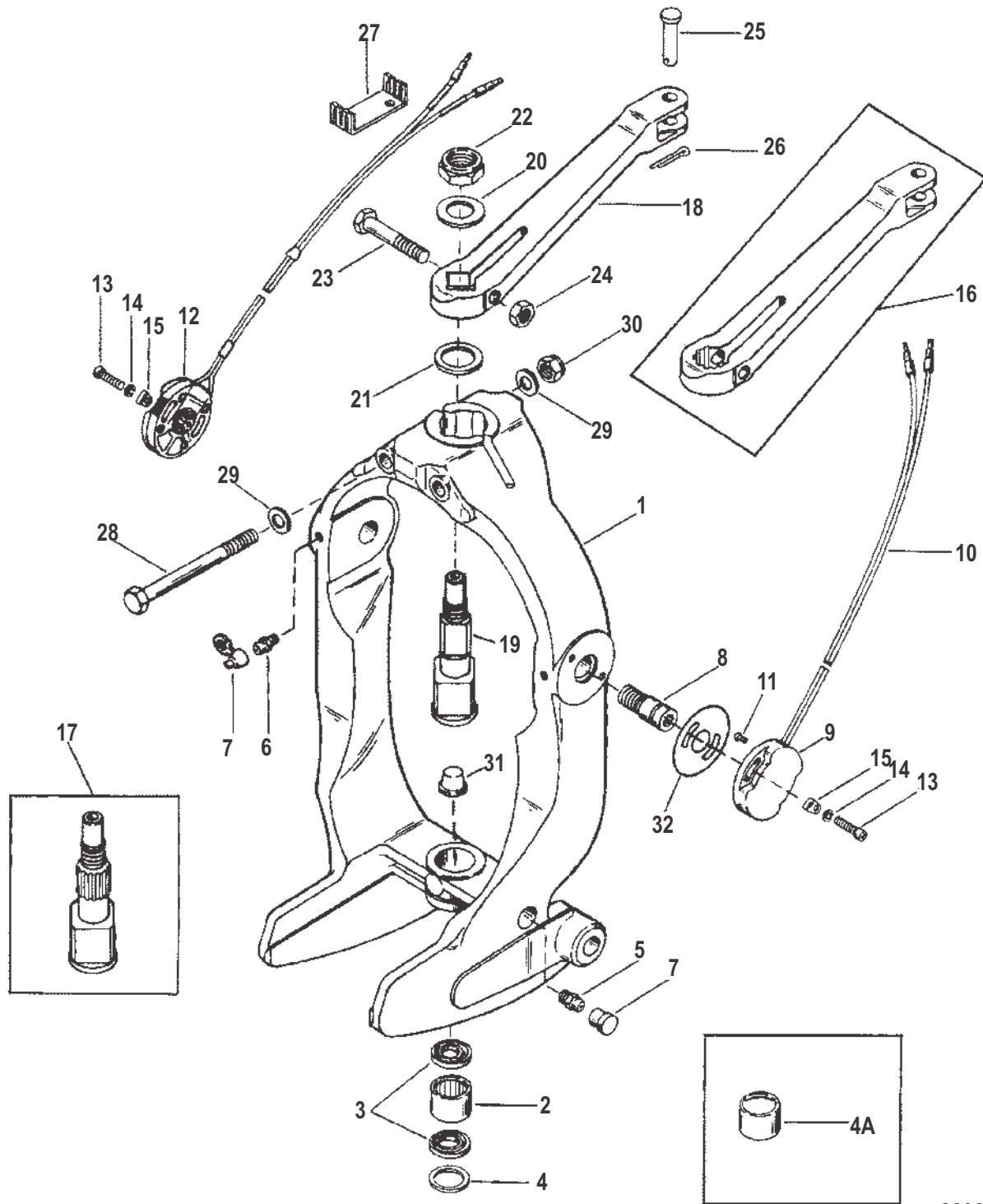


30063

## GIMBAL HOUSING SQUARE/SQUARE UPPER SWIVEL SHAFT

- [3] - Alternate part numbers:
  - 55989A 3Service Part
  - 55989Q 9QS
  - 55989T 3Magnesium
  - 55989T 9MPP
- [4] - Alternate part numbers:
  - 74639A 2Service Part
  - 74639Q02QS
  - COMPONENT OF SHIFT CABLE KIT 19543T 1
  - COMPONENT OF TRANSOM SEAL KIT - w/ Exh. Bellow 803097T 1
- [5] - COMPONENT OF SHIFT CABLE KIT 19543T 1  
COMPONENT OF TRANSOM SEAL KIT - w/ Exh. Bellow 803097T 1
- [6] - Alternate part numbers:
  - 821631A 1Service Part
  - 821631Q 1QS
  - 821631T 1MPP
  - 821631T 3Magnesium

# GIMBAL RING AND STEERING LEVER



30064

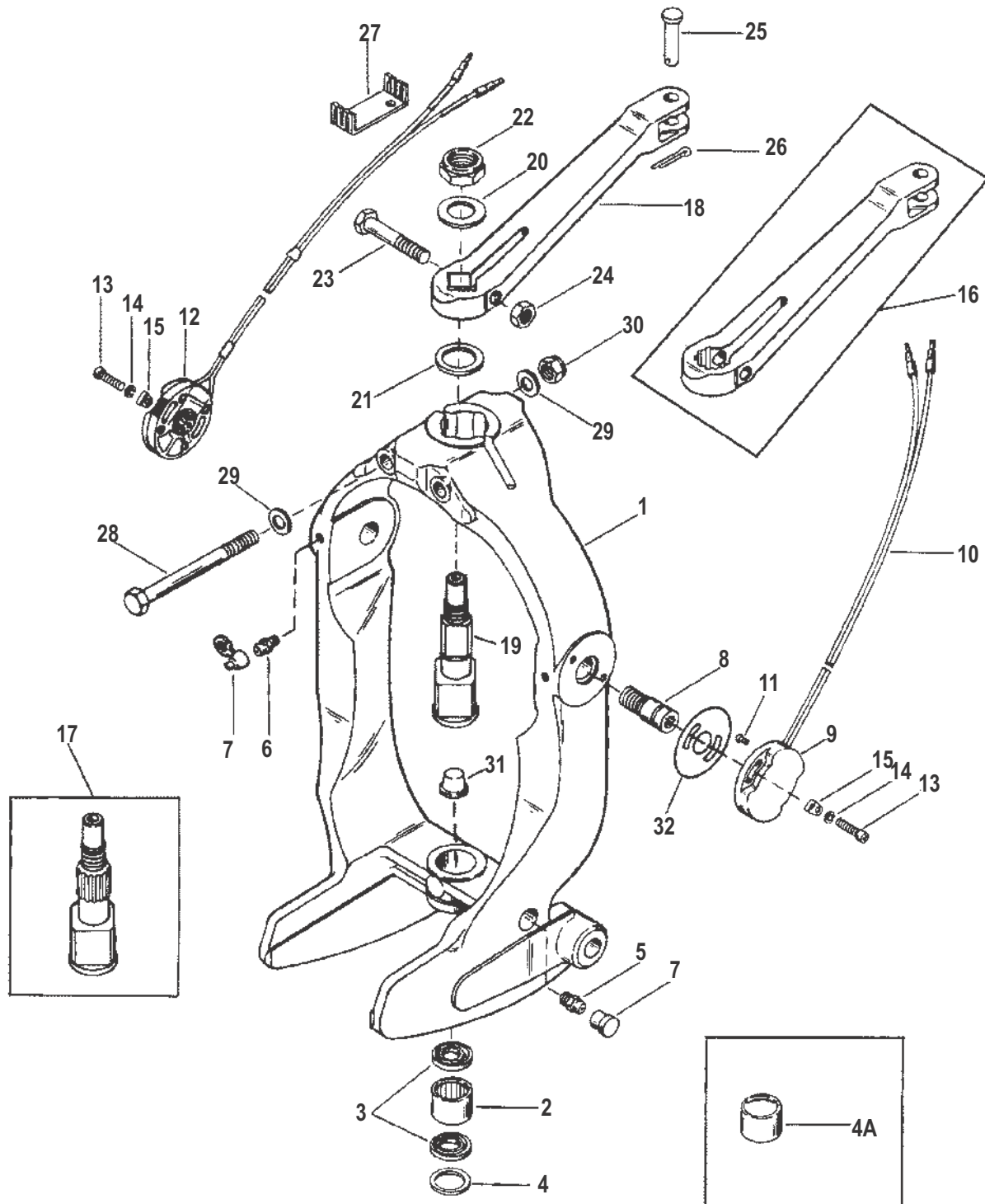
## GIMBAL RING AND STEERING LEVER

## GIMBAL RING AND STEERING LEVER

Ref #	Part Class	Part Number	Description	Comments	Qty	Note
-	0000	94993A12	GIMBAL RING KIT With Upper Swivel Shaft (use with square steering arm)		1	
-	0000	88302A1	GIMBAL RING KIT With Upper Swivel Shaft (use with spline steering arm)		1	[1]
1	0000	94993A7	GIMBAL RING ASSEMBLY (BLACK)		1	
2	0031	32538	BEARING GIMBAL RING (OLD DESIGN)		1	
3	0026	32541	SEAL Oil GIMBAL RING (OLD DESIGN)		2	
4	0023	39273	SPACER GIMBAL RING (OLD DESIGN)		1	
4A	0023	99352	BEARING GIMBAL RING (NYLON) (NEW DESIGN)		1	
5	0022	69059	FITTING GIMBAL RING (1/8-27)		1	
6	0022	74036	FITTING Grease GIMBAL RING (1/4-28)		2	
7	0019	77633Q	LUBRICAP GIMBAL RING GREASE FITTING		3	[2]
8	0000	77123	PIN Hinge THREADED (WITH GREASE GROOVE)		2	
9	0000	64947	SENDER DUMMY (STARBOARD) (BLACK)		1	
10	0084	19216	HARNESS ASSEMBLY DUMMY SENDER (STARBOARD)		1	
11	0010	46942	SCREW (#6-20 x .3125) HARNESS ATTACHING (STARBOARD)		2	
12	0000	99122A2	SWITCH ASSEMBLY TRIM LIMIT - PORT (BLACK)	NLA- ORDER 805320A 1	1	
13	0010	37978	SCREW (#10-32 x .750) Stainless Steel SWITCH AND SENDER TO GIMBAL RING		4	
14	0013	26996	LOCKWASHER (#10) Stainless Steel SWITCH AND SENDER SCREW		4	
15	0000	57008	RETAINER SWITCH AND SENDER SCREW		4	
16	0000	94991A1	LEVER ASSEMBLY Steering (SQUARE/SPLINED SWIVEL SHAFT)		1	
17	0000	88302A2	SHAFT UPPER SWITCH (SQUARE/SPLINED SWIVEL SHAFT)		1	
18	0000	98262A1	LEVER ASSEMBLY (SQUARE SWIVEL SHAFT)		1	
19	0000	98230A1	SHAFT ASSEMBLY UPPER SWIVEL (SQUARE SWIVEL SHAFT)		1	
20	0012	85344	WASHER (.750 Inside Diameter)		1	
21	0012	32997	WASHER (SPLINED SWIVEL SHAFT)		1	
21	0012	98548	WASHER (1.125 ) (SQUARE SWIVEL SHAFT)		1	

## GIMBAL RING AND STEERING LEVER

# GIMBAL RING AND STEERING LEVER



30064

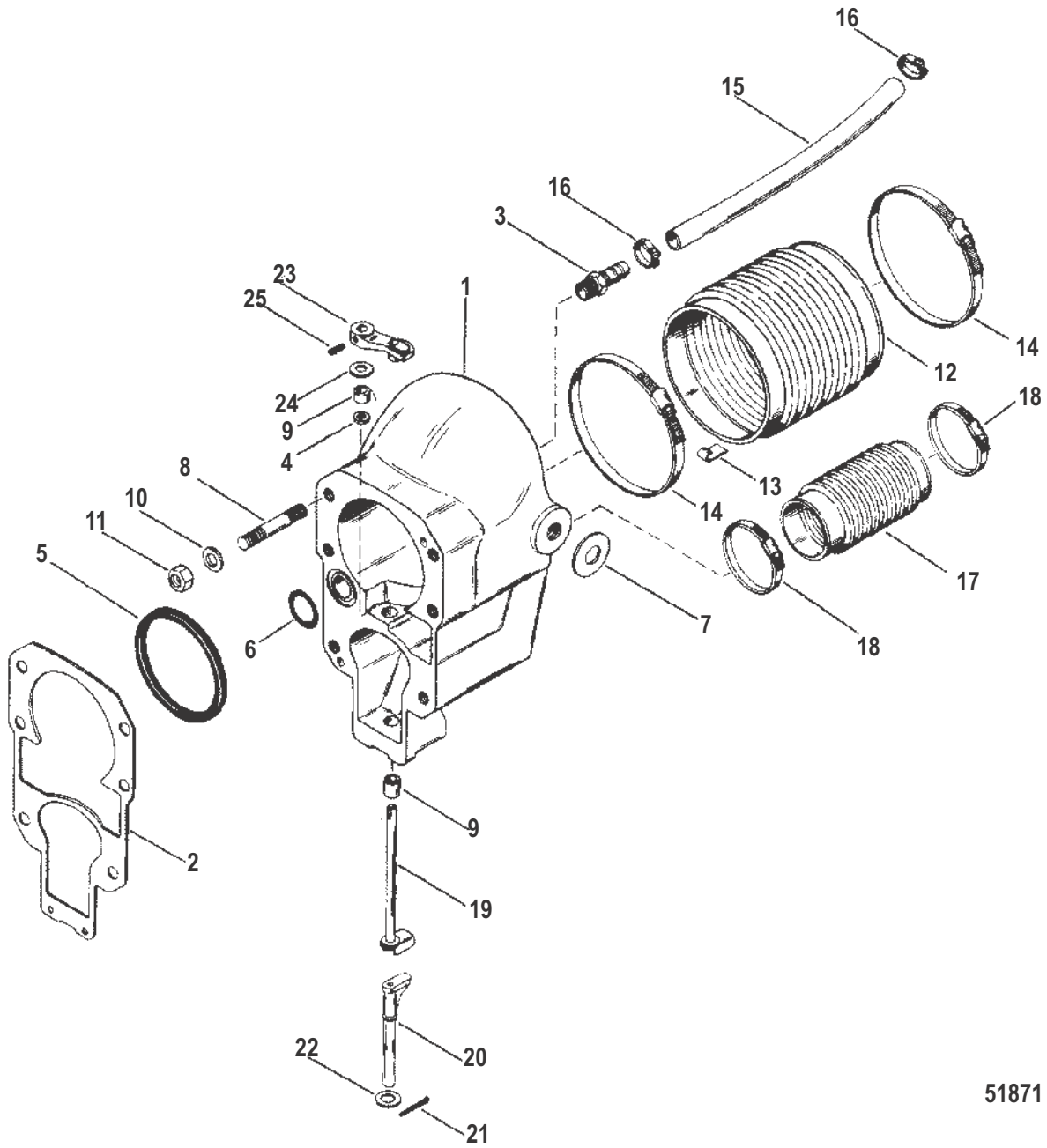
## GIMBAL RING AND STEERING LEVER

Ref #	Part Class	Part Number	Description	Comments	Qty	Note
22	0011	82671323	NUT (.750-16) UPPER SWIVEL SHAFT		1	
23	0010	807204	SCREW (.437-20 x 2.00) STEERING LEVER TO UPPER SWIVEL SHAFT		1	
24	0011	98533	NUT (.437-20) STEERING LEVER TO UPPER SWIVEL SHAFT SCREW		1	
25	0017	52798	PIN Clevis CABLE TO STEERING LEVER (NON POWER STEERING)		1	
26	0018	46950	COTTER PIN (NON POWER STEERING)		1	
27	0000	79146	RETAINER CONNECTOR, TRIM LIMIT LEADS		2	
28	0010	88432	SCREW (.375-24 x 4.00) GIMBAL RING SEE DRIVE UNIT CHART REF. #S 1-10		2	
28	0010	90126	SCREW (.375-24 x 3.750) GIMBAL RING SEE DRIVE UNIT CHART REF. #S 1-10		2	
29	0012	34931	WASHER (.406 x .734 x .063) Stainless Steel GIMBAL RING SCREW		4	
30	0011	862903	NUT (.375-24) GIMBAL RING SCREW		2	
31	0019	90887	PLUG UPPER SWIVEL SHAFT		1	
32	0085	63990	INSULATOR TRIM LIMIT SWITCH		1	
-	0000	805320A1	SWITCH ASSEMBLY (BLACK)		AR	
-	0000	805130A6	SENDER KIT Dual Station (BLACK)		AR	

## PART NOTES:

- [1] - Alternate part numbers:  
88302A 1Kit  
88343A 2Service Part
- [2] - Alternate part numbers:  
77633QQS  
77633TMPP  
88633Service Part

# BELL HOUSING



51871

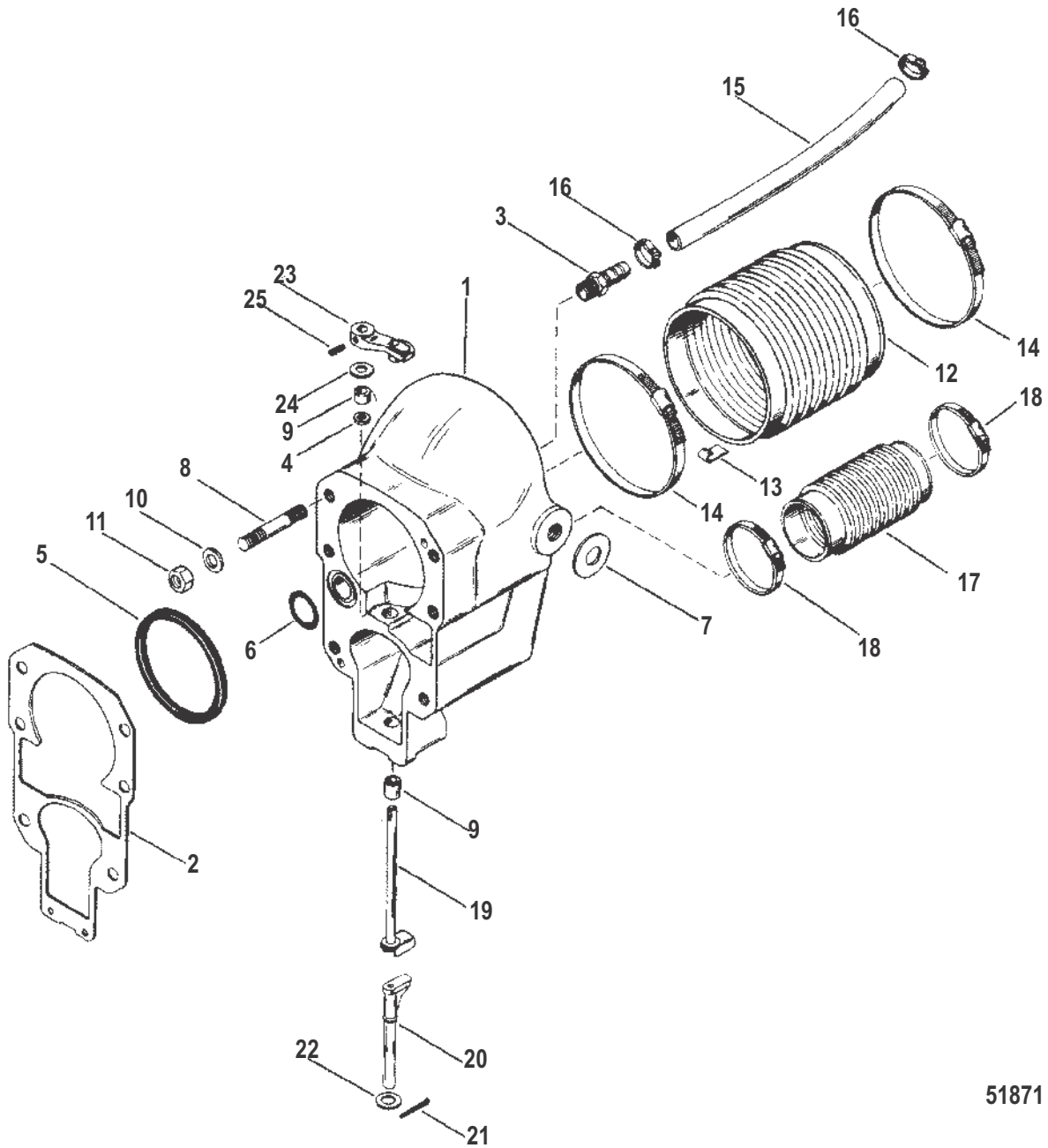
## BELL HOUSING

Ref #	Part Class	Part Number	Description	Comments	Qty	Note
1	0000	42815A6	BELL HOUSING ASSEMBLY (BLACK)		1	
2	0027	94996Q2	GASKET BELL HOUSING		1	[1]
3	0022	33066	CONNECTOR (.500-14) Straight - Brass		1	
3	0022	44221	CONNECTOR (5/8 Inch HOSE - 3/4-14 THREAD)		1	
3	0022	42683	CONNECTOR (.750-14)		1	
4	0026	8164641	SEAL Oil BELL HOUSING		1	[2]
5	0027	35982	GASKET Rubber Bell Housing		1	[3]
6	0025	33504	O-RING BELL HOUSING		1	[3]
7	0012	72498	WASHER Synthane Bell Housing		2	
8	0016	59579	STUD (.437-14/.437-20 x 2.812) BELL HOUSING TO DRIVE SHAFT HOUSING		6	
NS	0023	805041A2	BUSHING/SEAL KIT Oil BELL HOUSING (5/16 Inch)		1	[2]
NS	0023	805041A2	BUSHING/SEAL KIT Oil BELLHOUSING (5/8 Inch)		1	
9	0023	814308	BUSHING		2	
10	0012	35935	WASHER (.435 x .875 x .105) Stainless Steel BELL HOUSING STUD		6	
11	0011	859116	NUT (.437-20) BELL HOUSING STUD		6	
12	0000	60932A4	BELLOWS ASSEMBLY UNIVERSAL JOINT		1	[4]
13	0054	86049	CLIP Grounding BELLOWS		4	[4]
14	0054	815504372	CLAMP Worm Gear UNIVERSAL JOINT BELLOWS		2	[4]
15	0032	32461	HOSE WATER - 5/8 Inch Inside Diameter		1	[4]
15	0032	4172533	HOSE WATER - 3/4 Inch Inside Diameter		1	[4]
16	0054	815504412	CLAMP Worm Gear WATER HOSE		2	[4]
17	0000	18654A1	BELLOWS ASSEMBLY EXHAUST		1	[4]
17	0000	78458A1	TUBE (454 MAGNUM/JACKSHAFT MODELS)		1	
18	0054	815504348	CLAMP Worm Gear EXHAUST BELLOWS		2	[4]
19	0000	45589A3	SHAFT ASSEMBLY SHIFT - UPPER		1	
20	0000	621041	SHIFT SHAFT INTERMEDIATE		1	
21	0018	32665	COTTER PIN INTERMEDIATE SHIFT SHAFT		1	
22	0012	32666	WASHER INTERMEDIATE SHIFT SHAFT		1	
23	0000	45518A3	LEVER ASSEMBLY UPPER SHIFT SHAFT		1	[2]
24	0012	39116	WASHER UPPER SHIFT LEVER		1	[2]
25	0010	45590	SCREW (.250-28) UPPER SHIFT LEVER (1-1/16 Inch)		1	[2]

## BELL HOUSING



# BELL HOUSING



51871

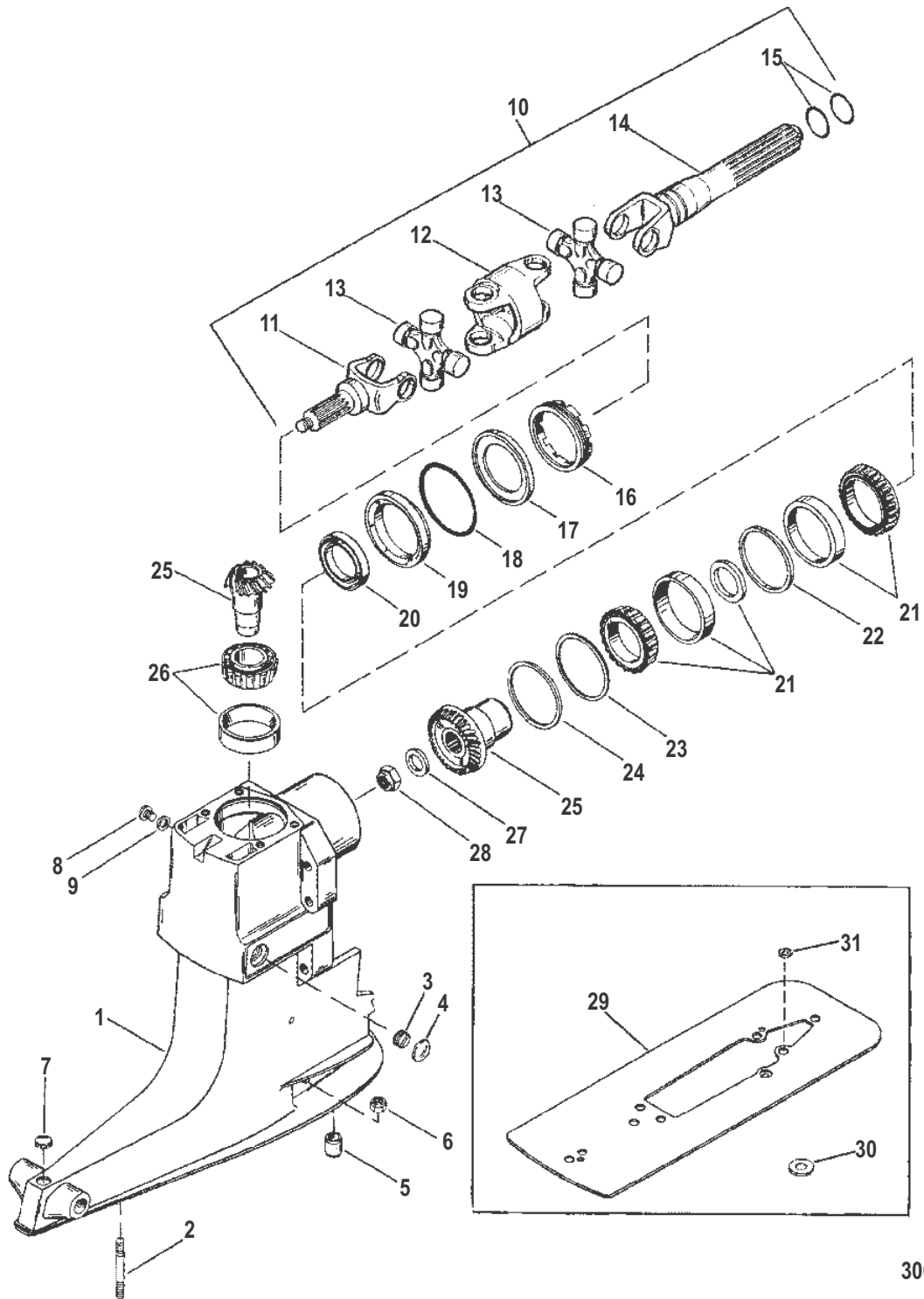
# BELL HOUSING

Ref #	Part Class	Part Number	Description	Comments	Qty	Note
-	0000	19543T1	CABLE KIT Shift		1	
-	0030	803097T1	SEAL KIT Transom (with Exhaust Bellow)		1	
-	0030	803098T1	SEAL KIT Transom (with Exhaust Tube)		1	
-	0043	803101T1	REPAIR KIT Gear - Upper Driveshaft	(1.98 Ratio)(20/24 Gear)	1	
-	0043	803112T1	REPAIR KIT Gear - Upper Driveshaft	(1.65 Ratio)(24/24 Gear)	1	
-	0043	803114T1	REPAIR KIT Gear - Upper Driveshaft	(1.84 Ratio)(17/19 Gear)	1	
-	0043	803115T1	REPAIR KIT Gear - Upper Driveshaft	(1.32 Ratio)(16/20 Gear)	1	[5]
-	0043	803116T1	REPAIR KIT Gear - Upper Driveshaft	(1.50 Ratio)(20/22 Gear)	1	

**PART NOTES:**

- [1] - Alternate part numbers:  
 94996A 2Service Part  
 94996Q 2QS  
 94996T 2MPP  
 COMPONENT OF SHIFT CABLE KIT 19543T 1  
 COMPONENT OF TRANSOM SEAL KIT - w/ Exh. Bellow 803097T 1  
 COMPONENT OF GEAR REPAIR KIT
- [2] - COMPONENT OF LEVER KIT 45518T 1
- [3] - COMPONENT OF SHIFT CABLE KIT 19543T 1  
 COMPONENT OF TRANSOM SEAL KIT - w/ Exh. Bellow 803097T 1  
 COMPONENT OF GEAR REPAIR KIT  
 COMPONENT OF LEVER KIT 45518T 1
- [4] - COMPONENT OF TRANSOM SEAL KIT - w/ Exh. Bellow 803097T 1
- [5] - Alternate part numbers:  
 66773A 3Service Part  
 803115T 1Kit

# DRIVESHAFT HOUSING AND DRIVE GEARS



30066

## DRIVESHAFT HOUSING AND DRIVE GEARS

## DRIVESHAFT HOUSING AND DRIVE GEARS

Ref #	Part Class	Part Number	Description	Comments	Qty	Note
1	1547	9412A18	HOUSING ASSEMBLY Driveshaft (BLACK)		1	
2	0016	56295	STUD (.437 x 2.69)		2	
3	0022	428611	FITTING Pipe - Brass (.750-14)		1	
4	0019	32652	WELCH PLUG (7/8 inch O.D.)		1	
4	0019	42682	WELCH PLUG (1-1/4 inch O.D.)		1	
5	0023	32632	BUSHING		1	
6	0011	859116	NUT (.437-20)		3	
7	0019	47579	PLUG (1/2 inch DIA. HOLE) (BLACK)		1	
7	0000	47591	ROD (1/2 inch DIA. HOLE) (OYSTER)		1	
8	0010	79953Q2	SCREW KIT (.375-16 x .250) Drain		1	[1]
9	0012	191832	WASHER		1	[2]
10	0000	814819A2	UNIVERSAL JOINT		1	
11	0000	460201	YOKE GEAR END		1	
12	0000	393831	SOCKET Center		1	
13	0000	75832T	CROSS AND BEARING	[B-418818] & Below	2	
13	0000	75832T1	CROSS AND BEARING	[B-418819] & Up	2	
14	0000	59830A7	YOKE ASSEMBLY COUPLING END		1	
15	0025	29845	O-RING (.924 x .103)		2	[3]
16	0000	8168112	RETAINER		1	
17	0000	35983	RING		1	
18	0025	70937	O-RING		1	[4]
19	0000	66081A2	CARRIER ASSEMBLY		1	
20	0026	823894	SEAL Oil		1	
21	0031	35988A12	BEARING KIT Roller		1	[4]
21	0031	35988A3	BEARING ASSEMBLY Tapered Roller	(1.32 Ratio Only)	1	[4]
21	0031	35988A9	BEARING ASSEMBLY	(1.50 Heavy Duty Ratio Only)	1	[4]
22	0023	35985	SPACER		1	[4]
22	0023	66824	SPACER	(1.32 Ratio and 1.50 Heavy Duty Ratio Only)	1	
22	0023	66824	SPACER	(1.32 Ratio Only)	1	[4]
22	0023	66824	SPACER	(1.50 Heavy Duty Ratio Only)	1	
23	0015	35980A1	SHIM SET		AR	[4]
24	0015	71013	SHIM Spacer		1	
25	0043	55778A3	GEAR KIT (Component of Gear Repair Kit 803101T 1)	(1.98 RATIO) (20-24 GEAR RATIO)	AR	[4]
25	0043	45814A5	GEAR KIT (Component of Gear Repair Kit 803112T 1)	(1.65 RATIO) (24-24 GEAR RATIO)	AR	[4]
25	0043	75325A3	GEAR KIT (Component of Gear Repair Kit 803114T 1)	(1.84 RATIO) (17-19 GEAR RATIO)	AR	[4]
25	0043	18411A2	GEAR KIT (Component of Gear Repair Kit 803116T 1)	(1.50 RATIO) (20-22 GEAR RATIO)	AR	[4]
25	0043	66773A3	GEAR SET (Component of Gear Repair Kit 803115T 1)	(1.32 RATIO) (16-20 GEAR RATIO)	AR	[5]

## DRIVESHAFT HOUSING AND DRIVE GEARS



## DRIVESHAFT HOUSING AND DRIVE GEARS

Ref #	Part Class	Part Number	Description	Comments	Qty	Note
25	0043	18411A4	GEAR KIT With Bearings And Shims (Replaces Heavy Duty Kit)	(1.50 RATIO) (20-22 RATIO)	AR	
26	0031	35990A1	BEARING ASSEMBLY Roller (TIMKEN CONE #89449/CUP #89410)	(ALSO USED ON EARLY STYLE 1.50 RATIOS)	AR	[4]
26	0031	66818A1	BEARING ASSEMBLY Tapered Roller (TIMKEN CONE #43131/CUP #43300)	(1.32 RATIO ONLY)	AR	[4]
26	0031	32573A1	BEARING ASSEMBLY Roller (TIMKEN CONE #24780/CUP #24720)	(1.50 RATIO AND 1.50 HEAVY DUTY)	AR	[4]
27	0012	45810	WASHER		1	[4]
28	0011	22339	NUT (.625-18)		1	[4]
29	0000	42512A2	SPLASH PLATE KIT (OPTIONAL)		1	
30	0012	29395	WASHER (.390 x 1.00 x .06) (OPTIONAL)		1	
31	0026	455771	SEAL (OPTIONAL)		1	[6]
-	0026	32511A1	SEAL KIT		1	
-	0000	19543T1	CABLE KIT Shift		1	
-	0030	803097T1	SEAL KIT Transom (with Exhaust Bellow)		1	
-	0030	803098T1	SEAL KIT Transom (with Exhaust Tube)		1	
-	0043	803101T1	REPAIR KIT Gear - Upper Driveshaft	(1.98 Ratio)(20/24 Gear)	1	
-	0043	803112T1	REPAIR KIT Gear - Upper Driveshaft	(1.65 Ratio)(24/24 Gear)	1	
-	0043	803114T1	REPAIR KIT Gear - Upper Driveshaft	(1.84 Ratio)(17/19 Gear)	1	
-	0043	803115T1	REPAIR KIT Gear - Upper Driveshaft	(1.32 Ratio)(16/20 Gear)	1	[7]
-	0043	803116T1	REPAIR KIT Gear - Upper Driveshaft	(1.50 Ratio)(20/22 Gear)	1	

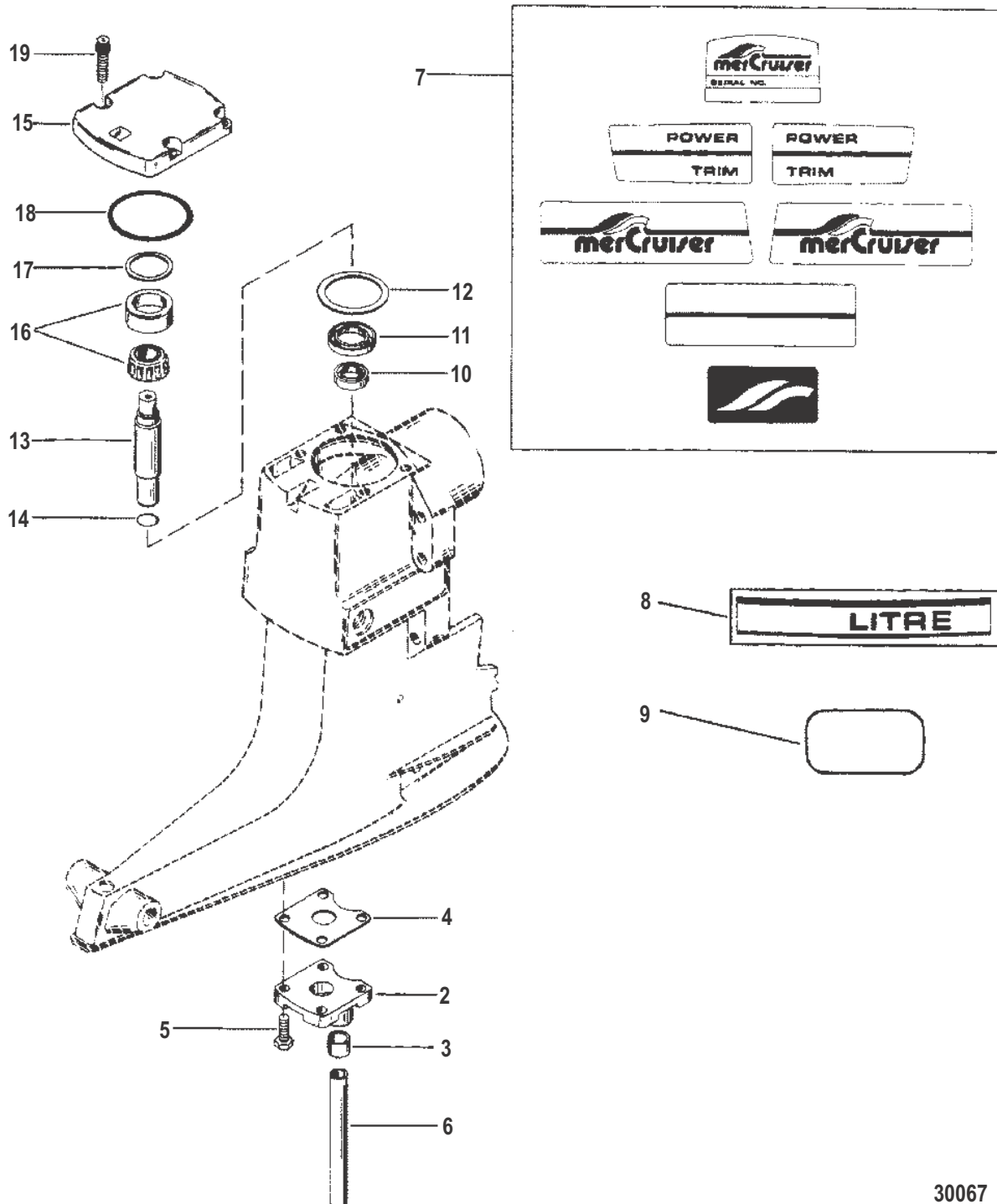
**PART NOTES:**

- [1] - Alternate part numbers:  
79953Q 2QS  
79953T 2MPP
- [2] - COMPONENT OF LOWER SEAL KIT 33144A 2  
COMPONENT OF GEAR REPAIR KIT  
COMPONENT OF DRIVESHAFT HOUSING SEAL KIT 32511A 1
- [3] - COMPONENT OF LOWER SEAL KIT 33144A 2  
COMPONENT OF SHIFT CABLE KIT 19543T 1  
COMPONENT OF TRANSOM SEAL KIT - w/ Exh. Bellow 803097T 1
- [4] - COMPONENT OF GEAR REPAIR KIT
- [5] - Alternate part numbers:  
66773A 3Service Part  
803115T 1Kit  
COMPONENT OF GEAR REPAIR KIT
- [6] - COMPONENT OF LOWER SEAL KIT 33144A 2  
COMPONENT OF DRIVESHAFT HOUSING SEAL KIT 32511A 1
- [7] - Alternate part numbers:  
66773A 3Service Part  
803115T 1Kit

---

## DRIVESHAFT HOUSING AND DRIVE GEARS

# DRIVESHAFT HOUSING AND DRIVESHAFT



30067

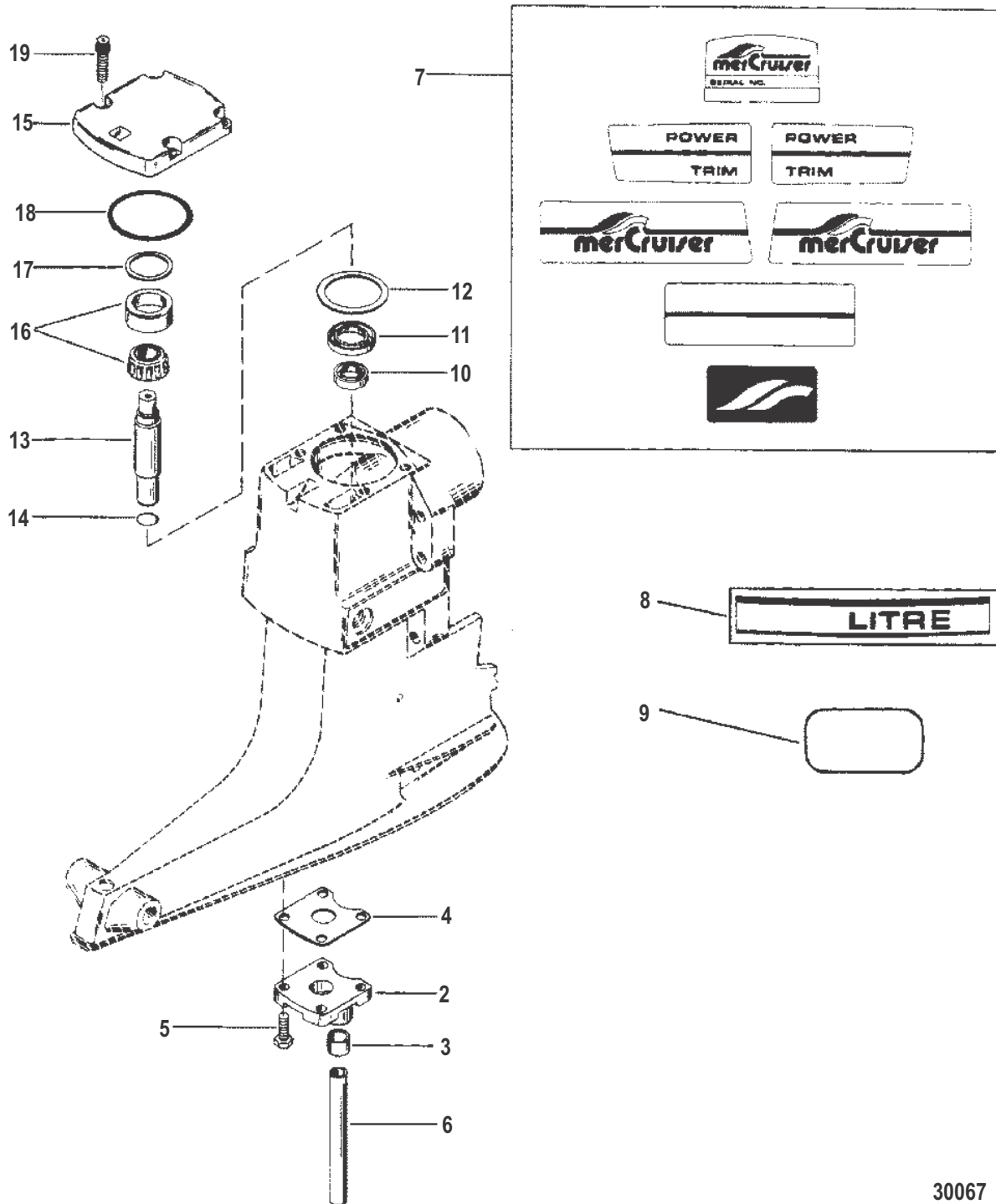
## DRIVESHAFT HOUSING AND DRIVESHAFT

Ref #	Part Class	Part Number	Description	Comments	Qty	Note
2	0000	42724A3	COVER ASSEMBLY, WATER POCKET COVER		1	
3	0026	36557	SEAL RUBBER - WATER POCKET COVER		1	[1]
4	0027	558101	GASKET WATER POCKET COVER		1	[1]
5	0010	28668	SCREW (.250-20 x .875) Stainless Steel WATER POCKET COVER TO DRIVE SHAFT HOUSING		4	
6	0032	54236	TUBE WATER POCKET COVER		1	
7	0037	13682A90	DECAL SET (BLACK)		1	
7	0037	13682A90	DECAL SET (COUNTER ROTATION)		1	
7	0037	17906A88	DECAL SET (OYSTER)		1	
8	0037	43699	DECAL DRIVE SHAFT HOUSING (3.8LITRE)		1	
9	0037	13722A10	DECAL SET (350/454 MAGNUM)		1	
9	0037	13722A11	DECAL SET Engine Model (120/2.5L/140/3.0L/165/170/180/190)		1	
9	0037	13722A12	DECAL SET (175/185/205/200/230/260)		1	
9	0037	16416A87	DECAL (320/320 EFI)		1	
9	0037	13722A13	DECAL SET Engine Model (3.7L/3.7L-LX/4.3L/4.3L-LX/5.0L/5.0L-LX/5.7L)		1	
10	0026	965031	SEAL Oil DRIVE SHAFT HOUSING - LOWER		1	[1]
11	0026	32511	SEAL Oil GEAR CHAMBER - DRIVE SHAFT HOUSING		1	[1]
12	0015	36178A1	SHIM SET BEARING CUP		AR	[2]
13	0045	55796	DRIVESHAFT UPPER		1	
14	0025	55801	O-RING UPPER DRIVE SHAFT		1	[1]
15	0000	94998A4	COVER ASSEMBLY TOP (BLACK)		1	
16	0031	61100A1	BEARING ASSEMBLY DRIVE SHAFT	(CUP Dimension 1.939) (Component of Gear Repair Kits No. 1-5)	1	[2]
16	0031	32575T1	BEARING ASSEMBLY DRIVE SHAFT	(CUP Dimension 1.78)	1	
17	0015	45691A1	SHIM BEARING CUP TO TOP COVER	(CUP Dimension 1.939)	AR	[2]
17	0015	32563A1	SHIM SET BEARING CUP TO TOP COVER	(CUP Dimension 1.78)	AR	
18	0025	32546	O-RING TOP COVER SEALING		1	[1]
19	0010	98794	SCREW (.375-16 x 1.00) TOP COVER		4	
-	0026	32511A1	SEAL KIT		1	
-	0043	803101T1	REPAIR KIT Gear - Upper Driveshaft	(1.98 Ratio)(20/24 Gear)	1	
-	0043	803112T1	REPAIR KIT Gear - Upper Driveshaft	(1.65 Ratio)(24/24 Gear)	1	
-	0043	803114T1	REPAIR KIT Gear - Upper Driveshaft	(1.84 Ratio)(17/19 Gear)	1	
-	0043	803115T1	REPAIR KIT Gear - Upper Driveshaft	(1.32 Ratio)(16/20 Gear)	1	[3]
-	0043	803116T1	REPAIR KIT Gear - Upper Driveshaft	(1.50 Ratio)(20/22 Gear)	1	

## DRIVESHAFT HOUSING AND DRIVESHAFT



# DRIVESHAFT HOUSING AND DRIVESHAFT



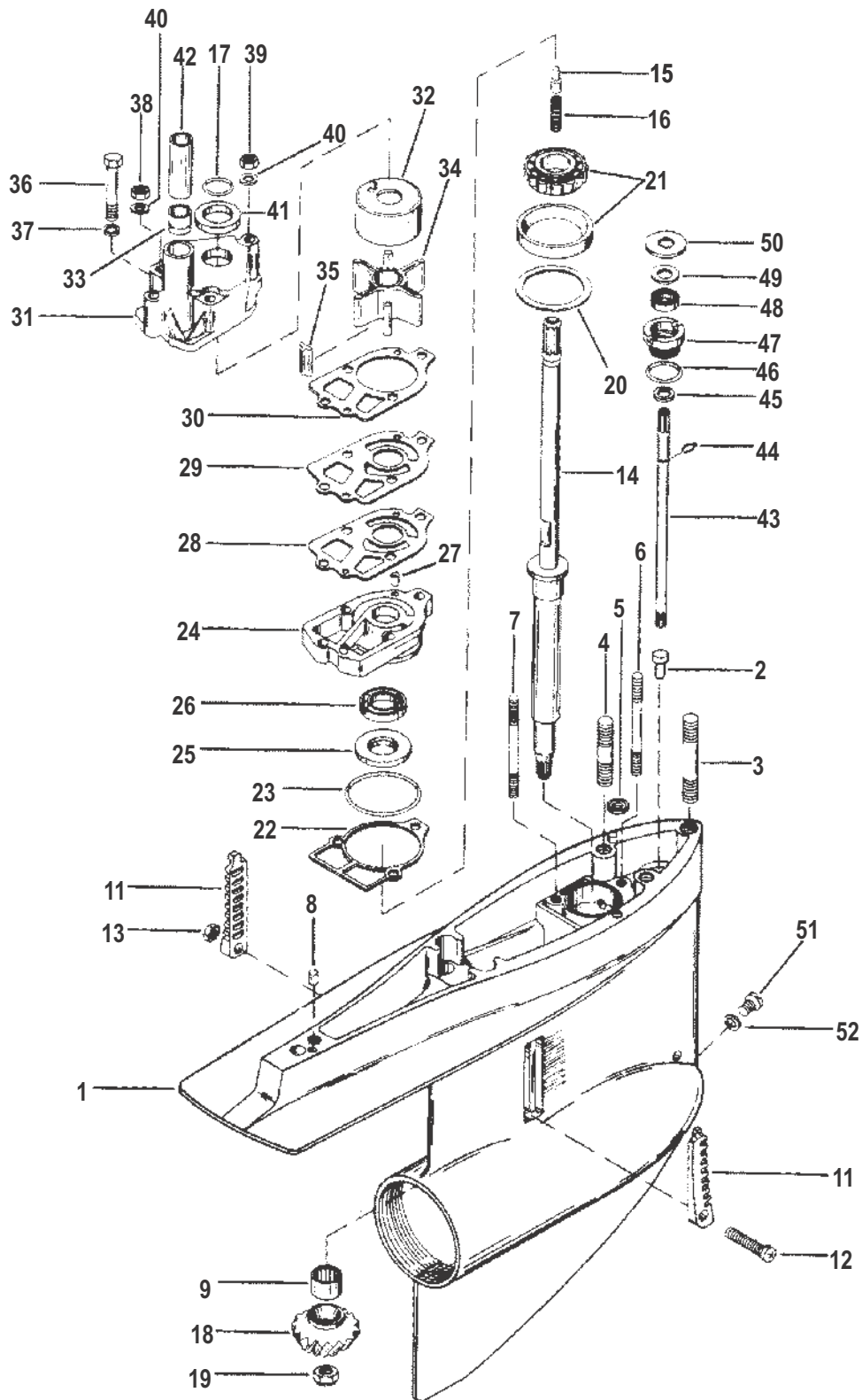
30067

## DRIVESHAFT HOUSING AND DRIVESHAFT

**PART NOTES:**

- [1] - COMPONENT OF GEAR REPAIR KIT  
COMPONENT OF DRIVESHAFT HOUSING SEAL KIT 32511A 1
- [2] - COMPONENT OF GEAR REPAIR KIT
- [3] - Alternate part numbers:  
66773A 3Service Part  
803115T 1Kit

# GEAR HOUSING (Driveshaft) - R



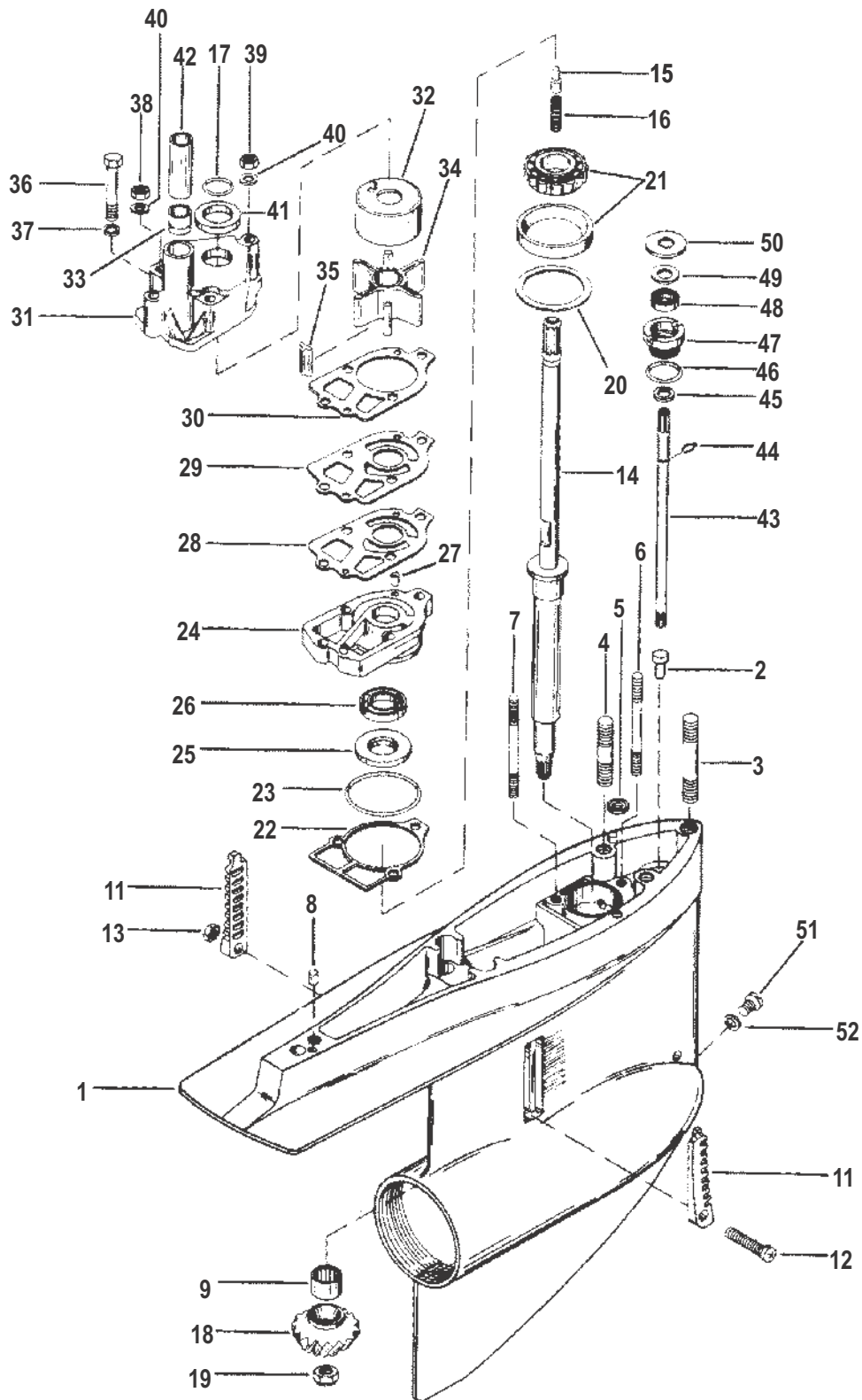
30068

## GEAR HOUSING (Driveshaft) - R

Ref #	Part Class	Part Number	Description	Comments	Qty	Note
--	1623	8951A43	GEAR HOUSING ASSEMBLY COMPLETE		1	[1]
1	1623	5356A4	GEAR HOUSING ASSEMBLY		1	
2	0017	379721	PIN SHIFT CRANK - GEAR HOUSING		1	
3	0016	46911	STUD GEAR HOUSING TO DRIVE SHAFT HOUSING (3-3/16 inch)		1	
4	0016	56298	STUD (.437 X 1.97) GEAR HOUSING TO DRIVE SHAFT HOUSING (1-31/32 inch)		2	
5	0026	455771	SEAL GEAR HOUSING	(Component of Driveshaft Housing Seal Kit 26-32511A1)	1	[2]
6	0016	562972	STUD (.312-18/.324-24 x 3.380) WATER PUMP GEAR HOUSING		1	
7	0016	69501	STUD WATER PUMP GEAR HOUSING (3-1/4 inch)		2	
8	0017	35973	PIN Dowel GEAR HOUSING TO DRIVE SHAFT HOUSING		2	
9	0031	92366A1	BEARING ASSEMBLY Roller DRIVE SHAFT		1	[3]
10	0000	66885	INSERT WATER PICKUP (STARBOARD SIDE)		1	
11	0000	66884	INSERT WATER PICKUP (PORT SIDE)		1	
12	0010	76156	SCREW (#10-32 x 1.88) INSERT TO GEAR HOUSING		1	
13	0011	45812	NUT (#10-32) Stainless Steel INSERT SCREW		1	
14	0045	41939F1	DRIVESHAFT ASSEMBLY		1	
15	0017	30545	PIN DRIVESHAFT		1	
16	0024	34576	SPRING COMPRESSION - DRIVESHAFT		1	
17	0025	30613	O-RING UPPER - DRIVESHAFT		1	[4]
18	0043	96084A7	GEAR SET (INCLUDES PINION AND FORWARD GEARS)		1	[5]
19	0011	35921	NUT (.625-18) PINION GEAR TO DRIVESHAFT		1	[6]
20	0015	57007A1	SHIM DRIVESHAFT BEARING		AR	[6]
21	0031	53079A1	BEARING ASSEMBLY Tapered Roller DRIVESHAFT		1	[6]
22	0027	856704	GASKET WATER PUMP TO GEAR HOUSING		1	[7]
23	0025	33145	O-RING (1.984 x .139) WATER PUMP		1	[7]
24	0046	57234A1	BASE ASSEMBLY Water Pump		1	[8]
25	0026	89238	SEAL Oil WATER PUMP		1	[7]
26	0026	16977	SEAL Oil WATER PUMP		1	[9]
27	0017	35973	PIN Dowel WATER PUMP		2	
28	0027	856081	GASKET LOWER - WATER PUMP	(Component of Lower Seal Kit 26-33144A2)	1	[10]
29	0000	32435	FACE PLATE		1	[11]

## GEAR HOUSING (Driveshaft) - R

# GEAR HOUSING (Driveshaft) - R



30068

## GEAR HOUSING (Driveshaft) - R

Ref #	Part Class	Part Number	Description	Comments	Qty	Note
30	0027	858524	GASKET UPPER - WATER PUMP		1	[4]
31	0046	96148T1	BODY ASSEMBLY Water Pump		1	
32	0000	48752T	INSERT WATER PUMP		1	
33	0026	38970	SEAL RUBBER - WATER INLET TUBE		1	[12]
34	0047	89984T4	IMPELLER WATER PUMP		1	[11]
35	0028	56654	KEY IMPELLER DRIVE		1	[11]
36	0010	30720	SCREW (.250-20 x 2.25) WATER PUMP TO GEAR HOUSING		1	
37	0012	36001	WASHER WATER PUMP SCREW		1	
38	0011	8267089	NUT (.250-28) WATER PUMP STUDS		2	
39	0011	45592	NUT (.312-24) WATER PUMP STUDS		1	
40	0012	29245	WASHER (.281 x .500 x .060) Stainless Steel WATER PUMP STUD		3	
41	0025	30271	RING Rubber DRIVESHAFT		1	[11]
42	0023	29804T	SLEEVE GUIDE - WATER INLET TUBE		1	[11]
43	0000	774811	SHIFT SHAFT LOWER		1	
44	0053	29641	E RING SHIFT SHAFT		1	
45	0012	27880	WASHER LOWER SHIFT SHAFT AND CRANK		1	
46	0025	25439	O-RING (.862 x .103) SHIFT SHAFT BUSHING		1	[6]
47	0023	30617A2	BUSHING ASSEMBLY SHIFT SHAFT		1	[13]
48	0026	892361	SEAL Oil SHIFT SHAFT BUSHING		1	[7]
49	0012	31266	WASHER RUBBER - SHIFT SHAFT BUSHING		1	[7]
50	0012	29395	WASHER (.390 x 1.00 x .06) SHIFT SHAFT		1	
51	0010	79953Q2	SCREW KIT (.375-16 x .250) Drain		1	[14]
52	0012	191832	WASHER FILL/DRAIN SCREW		1	[15]
-	0046	96148A8	WATER PUMP REPAIR KIT		-	[16]
-	0026	32511A1	SEAL KIT		1	
-	0026	33144A2	SEAL KIT		-	
-	0031	803068T1	BEARING AND SEAL KIT		1	
-	0043	803079T1	REPAIR KIT Lower Gear		1	[17]
-	0047	89984T5	IMPELLER KIT Water Pump		1	[18]
-	0046	57234T1	PUMP KIT Water		1	

## PART NOTES:

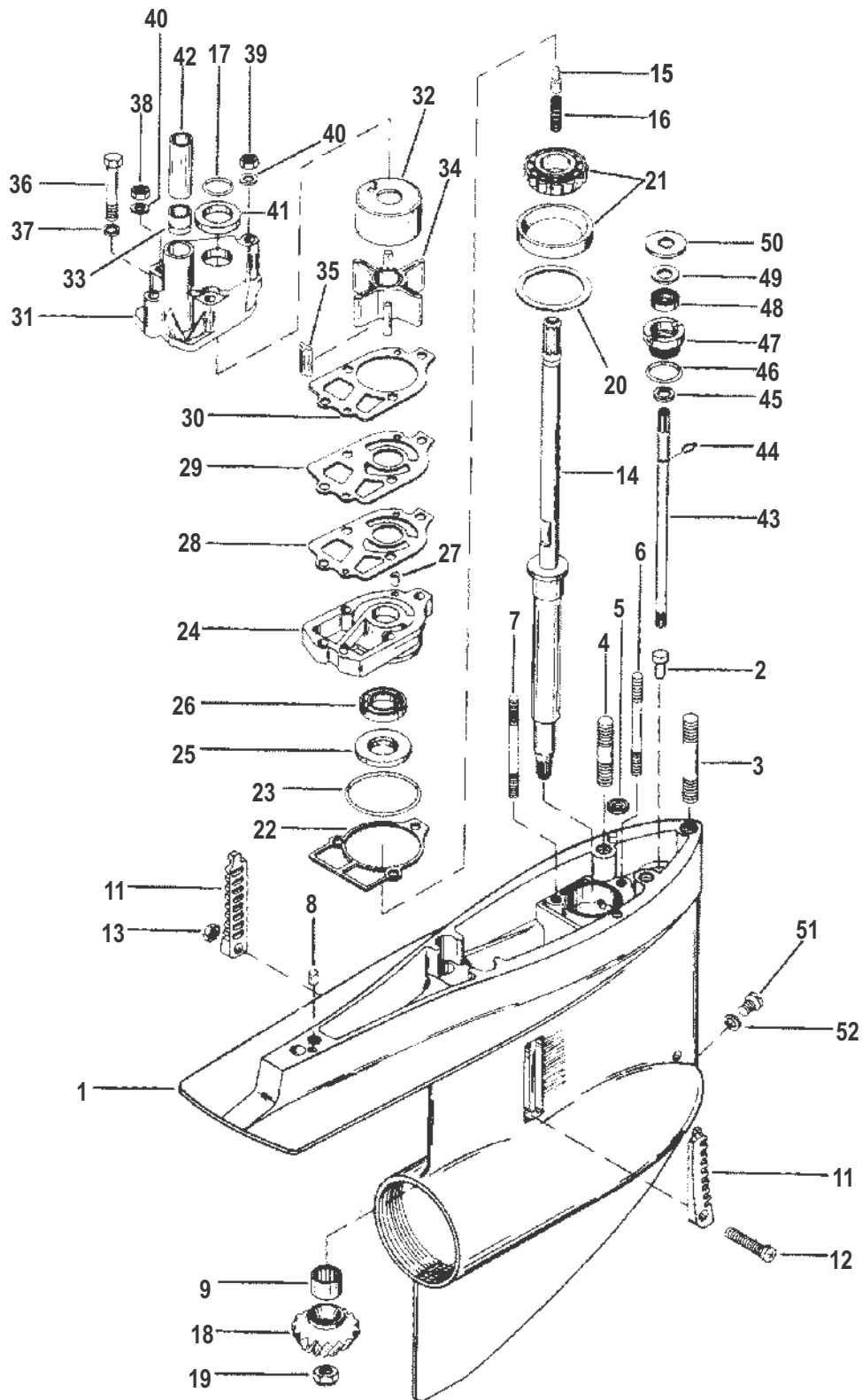
[1] - Alternate part numbers:

8951A43QS

8951R43Reman

## GEAR HOUSING (Driveshaft) - R

# GEAR HOUSING (Driveshaft) - R



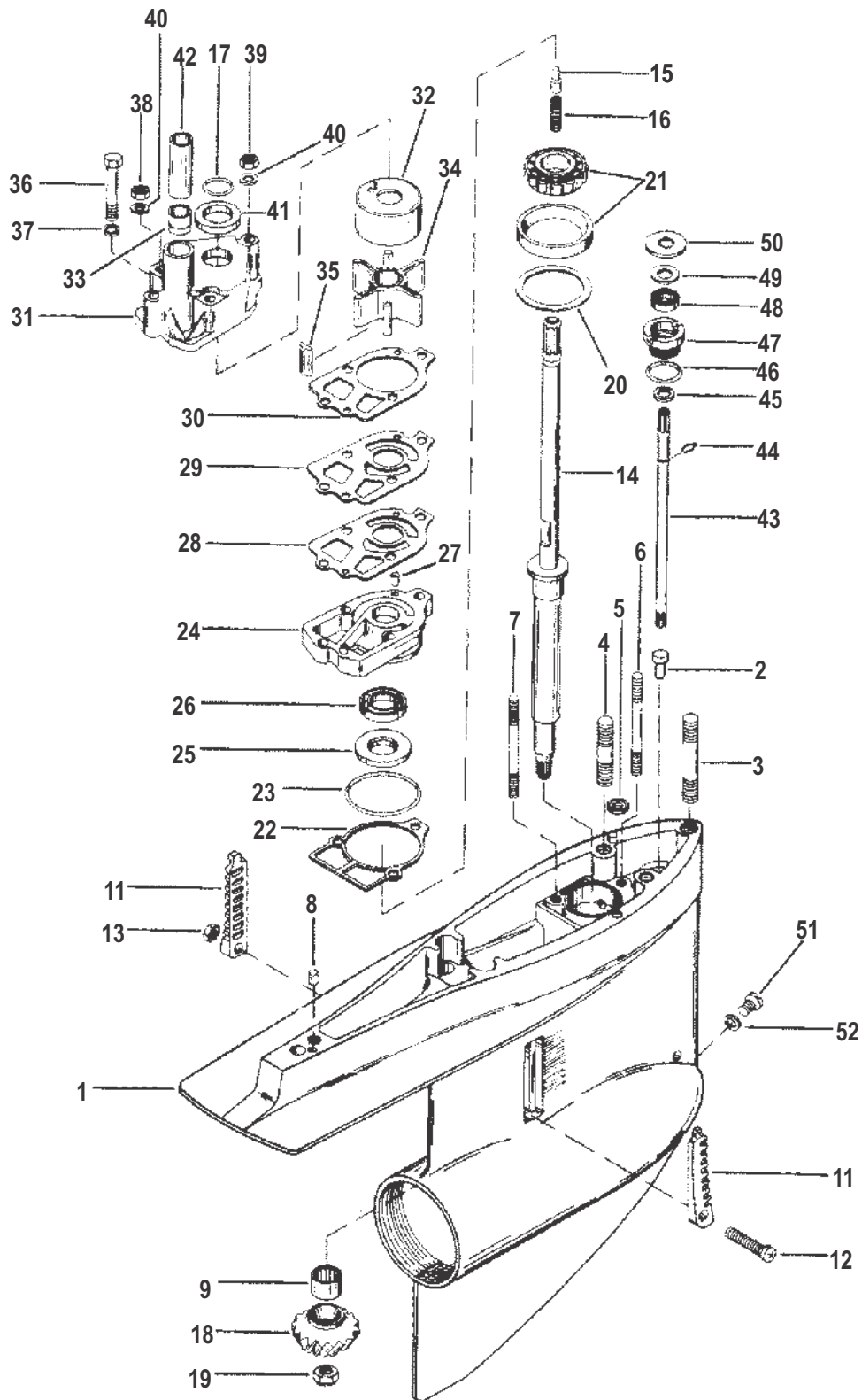
30068

## GEAR HOUSING (Driveshaft) - R

- [2] - COMPONENT OF LOWER SEAL KIT 33144A 2  
COMPONENT OF GEAR REPAIR KIT  
COMPONENT OF SEAL and BEARING KIT 803068T 1  
COMPONENT OF LOWER GEAR REPAIR KIT 803079T 1
- [3] - COMPONENT OF WATER PUMP REBUILD KIT 96148A 8  
COMPONENT OF SEAL and BEARING KIT 803068T 1
- [4] - COMPONENT OF LOWER SEAL KIT 33144A 2  
COMPONENT OF SEAL and BEARING KIT 803068T 1  
COMPONENT OF LOWER GEAR REPAIR KIT 803079T 1  
COMPONENT OF WATER PUMP IMPELLER KIT 89984T 5
- [5] - Alternate part numbers:  
  
803079T 1Kit  
  
96084A 7Service Part  
COMPONENT OF LOWER GEAR REPAIR KIT 803079T 1
- [6] - COMPONENT OF SEAL and BEARING KIT 803068T 1  
COMPONENT OF LOWER GEAR REPAIR KIT 803079T 1
- [7] - COMPONENT OF LOWER SEAL KIT 33144A 2  
COMPONENT OF SEAL and BEARING KIT 803068T 1  
COMPONENT OF LOWER GEAR REPAIR KIT 803079T 1
- [8] - Alternate part numbers:  
  
57234A 1Service Part  
  
57234Q01QS
- [9] - COMPONENT OF LOWER SEAL KIT 33144A 2
- [10] - COMPONENT OF SEAL and BEARING KIT 803068T 1  
COMPONENT OF LOWER GEAR REPAIR KIT 803079T 1  
COMPONENT OF WATER PUMP IMPELLER KIT 89984T 5  
COMPONENT OF WATER PUMP REBUILD KIT 96148A 8
- [11] - COMPONENT OF WATER PUMP IMPELLER KIT 89984T 5
- [12] - COMPONENT OF DRIVESHAFT HOUSING SEAL KIT 32511A 1
- [13] - COMPONENT OF SEAL and BEARING KIT 803068T 1  
COMPONENT OF LOWER GEAR REPAIR KIT 803079T 1  
COMPONENT OF LOWER SEAL KIT 33144A 2
- [14] - Alternate part numbers:  
  
79953Q 2QS  
  
79953T 2MPP
- [15] - COMPONENT OF SEAL and BEARING KIT 803068T 1  
COMPONENT OF WATER PUMP IMPELLER KIT 89984T 5  
COMPONENT OF DRIVESHAFT HOUSING SEAL KIT 32511A 1  
COMPONENT OF LOWER SEAL KIT 33144A 2
- [16] - Alternate part numbers:  
  
96148A 8Service Part  
  
96148Q 8QS  
  
96148T 8MPP
- [17] - Alternate part numbers:  
  
803079T 1Kit  
  
96084A 7Service Part



# GEAR HOUSING (Driveshaft) - R



30068

**Cat.# 90-99964**

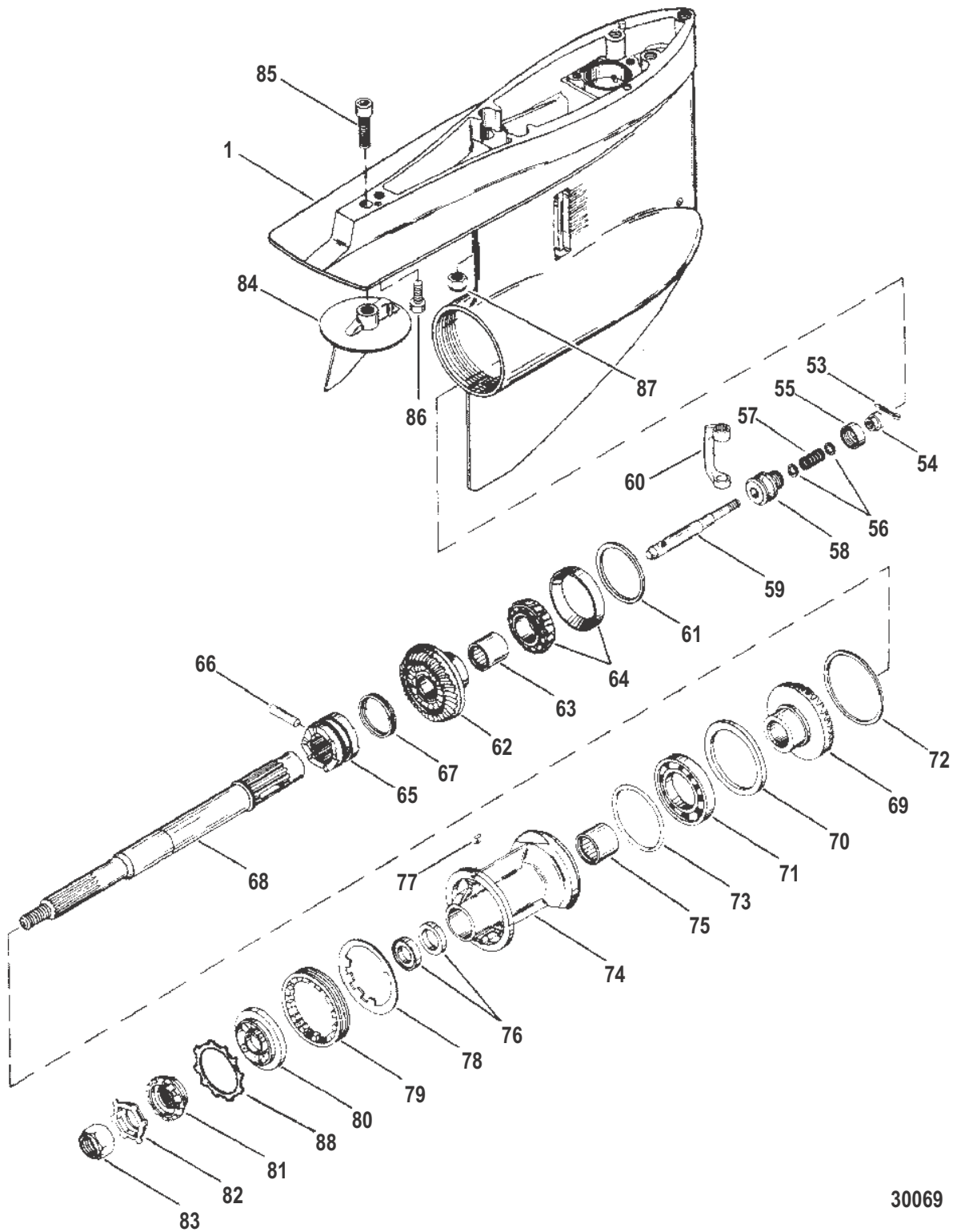
## GEAR HOUSING (Driveshaft) - R

[18] - Alternate part numbers:

89984Q 5QS

89984T 5MPP

# GEAR HOUSING Propeller Shaft - R



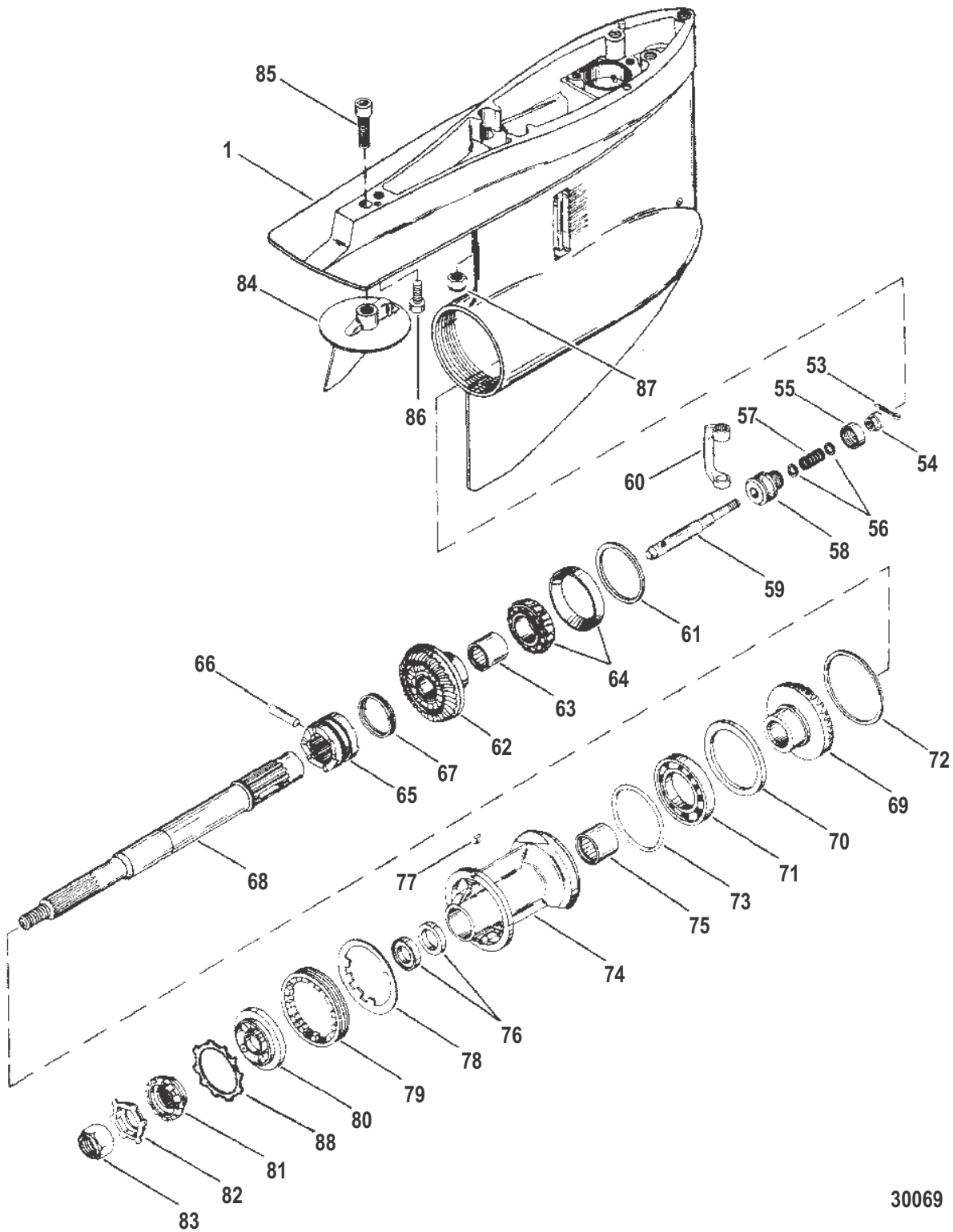
30069

## GEAR HOUSING Propeller Shaft - R

Ref #	Part Class	Part Number	Description	Comments	Qty	Note
--	1623	8951A43	GEAR HOUSING ASSEMBLY COMPLETE		1	[1]
1	1623	5356A4	GEAR HOUSING ASSEMBLY		1	
53	0018	469501	COTTER PIN CLUTCH ACTUATING SHAFT		1	[2]
54		NSS	NOT SOLD SEPARATE ADJUSTING - SHAFT	(Replacement Spool Assembly 818349T1)	1	[2]
55		NSS	NOT SOLD SEPARATE SPRING - SHAFT	(Replacement Spool Assembly 818349T1)	1	[2]
56		NSS	NOT SOLD SEPARATE CLUTCH ACTUATING SHAFT	(Replacement Spool Assembly 818349T1)	2	[2]
57		NSS	NOT SOLD SEPARATE COMPRESSION	(Replacement Spool Assembly 818349T1)	1	[2]
58		NSS	NOT SOLD SEPARATE CLUTCH ACTUATING SHAFT	(Replacement Spool Assembly 818349T1)	1	[2]
59		NSS	NOT SOLD SEPARATE CLUTCH ACTUATING	(Replacement Spool Assembly 818349T1)	1	[2]
60	0000	76865	CRANK Shift		1	
61	0015	47397A1	SHIM SET BEARING OUTER RACE		AR	[3]
62		NSS	NOT SOLD SEPARATE		1	[4]
63	0031	30895T	BEARING Needle FORWARD GEAR		1	[5]
64	0031	35928T1	BEARING ASSEMBLY Tapered Roller		1	[6]
65	0052	853594T	CLUTCH SLIDING		1	[7]
66	0017	30632	PIN Cross CLUTCH TO PROPELLER CHAFT		1	
67	0024	30893	SPRING RETAINER - CROSS PIN		1	
68	0044	824110	PROPELLER SHAFT		1	
69	0043	92320T	GEAR Reverse		1	[8]
70	0000	35915	THRUST RING BEARING CARRIER		1	[2]
71	0030	88957T	BEARING Ball REVERSE GEAR		1	[6]
72	0015	97166	SHIM THRUST WASHER TO GEAR HOUSING		1	[6]
73	0025	31534	O-RING BEARING CARRIER		1	[9]
74	0000	73020A14	CARRIER ASSEMBLY Bearing		1	
75	0031	30956T	BEARING Needle BEARING CARRIER		1	[10]
76	0026	76868	SEAL BEARING CARRIER		2	[9]
77	0028	30281	KEY LOCATING - BEARING CARRIER		1	
78	0014	79447	TAB WASHER GEAR HOUSING COVER		1	[10]
79	0000	79448	RETAINER GEAR HOUSING		1	
80	0012	8354671	THRUST HUB (FOR USE W/ BLACK MAX PROPELLERS)		1	[11]
80	0000	56292A4	THRUST HUB (FOR USE W/M/C I PROPELLERS)		1	

GEAR HOUSING Propeller Shaft - R

# GEAR HOUSING Propeller Shaft - R



30069

## GEAR HOUSING Propeller Shaft - R

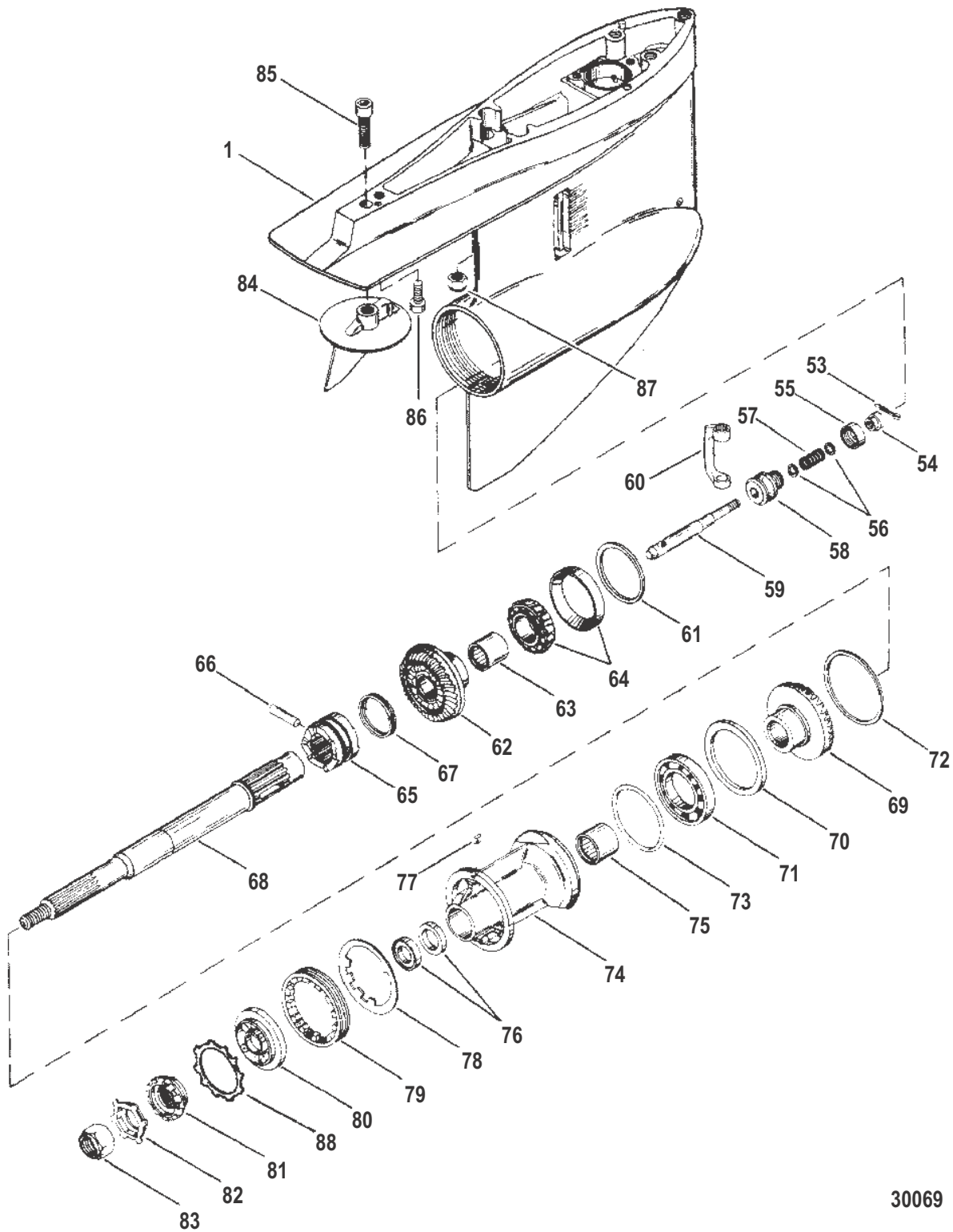
Ref #	Part Class	Part Number	Description	Comments	Qty	Note
81	0012	31211A3	WASHER PLINED - PROPELLER SHAFT		1	
82	0014	816629	TAB WASHER PROPELLER NUT		1	[12]
83	0011	52707Q1	PROP NUT KIT (.750-16) PROPELLER		1	[13]
84	0097	31640Q4	TRIM TAB GEAR HOUSING (2-3/8 inch)		1	[14]
84	0000	34127T2	TRIM TAB ASSEMBLY GEAR HOUSING (4 inch)	THIS TRIM TAB CANNOT BE USED WITH "BLACK MAX" PROPELLERS	OPT	
85	0010	32470	SCREW (.437-14 x 1.75) TRIM TAB TO GEAR HOUSING		1	
86	0010	30206	SCREW (.375-16 x 1.00) Stainless Steel GEAR HOUSING TO DRIVE SHAFT HOUSING		1	
87	0011	82671015	NUT (.437-20) Stainless Steel DRIVE SHAFT HOUSING STUD		2	
88	0013	423511	LOCKWASHER Toothed PROPELLER SHAFT		1	
-	0043	96084A2	GEAR REPLACEMENT KIT		1	
-	0026	33144A2	SEAL KIT		1	
-	0043	96084A4	GEAR SET		1	
-	0031	803068T1	BEARING AND SEAL KIT		1	
-	0043	803079T1	REPAIR KIT Lower Gear		1	[15]

## PART NOTES:

- [1] - Alternate part numbers:  
8951A43QS  
8951R43Reman
- [2] - COMPONENT OF GEAR SET 96084A 2
- [3] - COMPONENT OF SEAL and BEARING KIT 803068T 1  
COMPONENT OF SEAL and BEARING KIT 803068T 1
- [4] - COMPONENT OF GEAR SET 96084A 2  
COMPONENT OF GEAR SET 96084A 4
- [5] - COMPONENT OF GEAR SET 96084A 2  
COMPONENT OF GEAR SET 96084A 4  
COMPONENT OF SEAL and BEARING KIT 803068T 1  
COMPONENT OF LOWER GEAR REPAIR KIT 803079T 1
- [6] - COMPONENT OF GEAR SET 96084A 2  
COMPONENT OF SEAL and BEARING KIT 803068T 1  
COMPONENT OF LOWER GEAR REPAIR KIT 803079T 1
- [7] - COMPONENT OF LOWER GEAR REPAIR KIT 803079T 1
- [8] - COMPONENT OF GEAR SET 96084A 2  
COMPONENT OF GEAR SET 96084A 4  
COMPONENT OF LOWER GEAR REPAIR KIT 803079T 1
- [9] - COMPONENT OF LOWER SEAL KIT 33144A 2  
COMPONENT OF SEAL and BEARING KIT 803068T 1  
COMPONENT OF LOWER GEAR REPAIR KIT 803079T 1
- [10] - COMPONENT OF SEAL and BEARING KIT 803068T 1  
COMPONENT OF LOWER GEAR REPAIR KIT 803079T 1

GEAR HOUSING Propeller Shaft - R

# GEAR HOUSING Propeller Shaft - R



30069

## GEAR HOUSING Propeller Shaft - R

- [11] - Alternate part numbers:
  - 835467 1Service Part
  - 835467K01MPP
  - 835467Q01QS
- [12] - Alternate part numbers:
  - 816629Service Part
  - 816629KMPP
  - 816629QQS
- [13] - Alternate part numbers:
  - 52707A 1Service Part
  - 52707Q 1QS
  - 52707T 1MPP
  - 827614BBulk Pack
- [14] - Alternate part numbers:
  - 31640 4Service Part
  - 31640Q 4QS
  - 31640T 4MPP
  - 31640T 6Magnesium
  - 8M0059338Bulk Pack
- [15] - Alternate part numbers:
  - 803079T 1Kit
  - 96084A 7Service Part



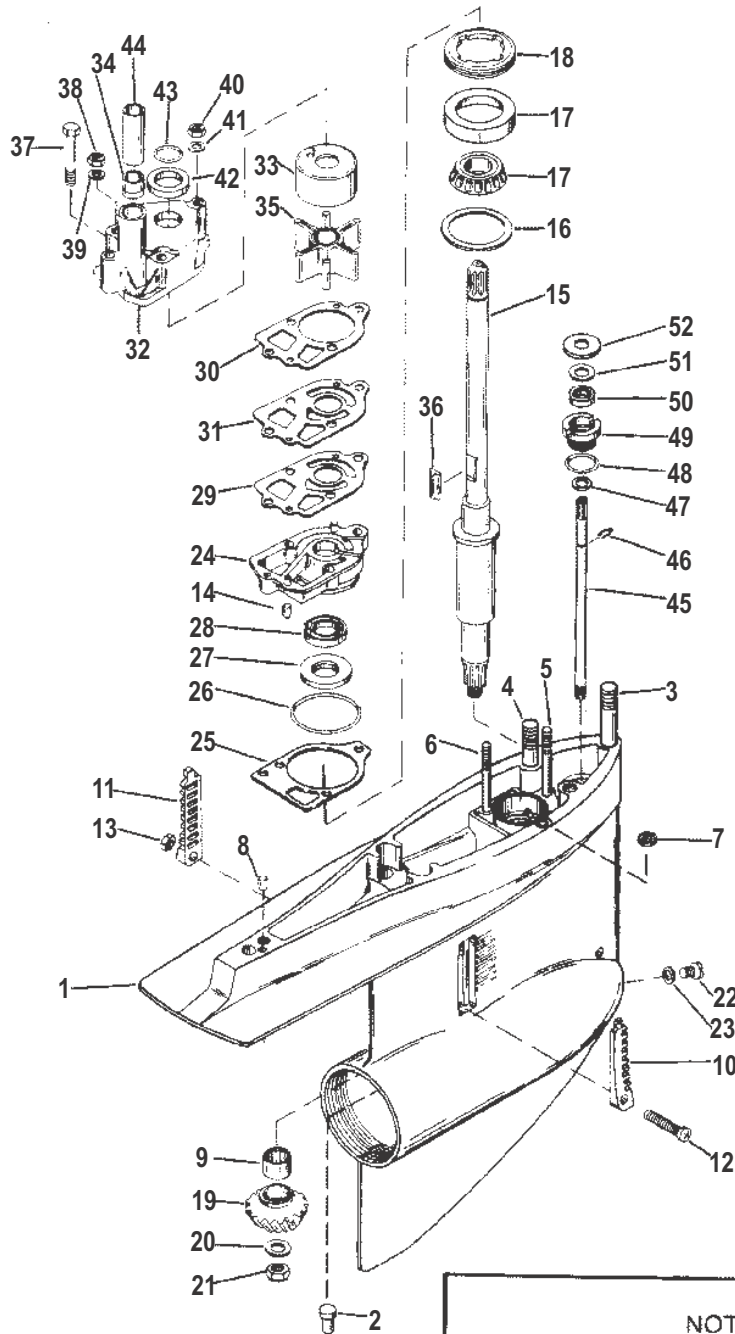


## GEAR HOUSING (DRIVESHAFT) - MR

Ref #	Part Class	Part Number	Description	Comments	Qty	Note
--	1623	8951A43	GEAR HOUSING ASSEMBLY COMPLETE (BLACK)		1	[1]
1	1623	8951A37	GEAR HOUSING ASSEMBLY (BLACK)		1	
2	0017	379721	PIN		1	
3	0016	46911	STUD (3-3/16 inch)		1	
4	0016	56298	STUD (.437 X 1.97) (1-31/32 inch)		2	
5	0016	562972	STUD (.312-18/.324-24 x 3.380)		1	
6	0016	69501	STUD (3-1/4 inch)		2	
7	0026	455771	SEAL	See Note 1	1	[2]
8	0017	35973	PIN Dowel		2	
9	0031	42647A1	BEARING ASSEMBLY Roller		1	[3]
10	0000	934231	INSERT (STARBOARD) (BLACK)		1	
11	0000	934241	INSERT (PORT) (BLACK)		1	
12	0010	76156	SCREW (#10-32 x 1.88)		1	
13	0011	45812	NUT (#10-32) Stainless Steel		1	
14	0017	42836	PIN Groove		1	
15	0045	42634	DRIVESHAFT ASSEMBLY		1	
16	0015	42637A1	SHIM SET		AR	[3]
17	0031	36387A1	BEARING ASSEMBLY Roller/Cup		1	[3]
18	0000	8245191	RETAINER		1	
19	0043	878087A4	GEAR SET (INCLUDES PINION AND FORWARD GEARS)		1	[4]
20	0012	92721	WASHER		1	[5]
21	0011	35921	NUT (.625-18)		1	[5]
22	0022	67892A1	FITTING KIT Magnetic, Plug Fill/Drain		1	
23	0012	191832	WASHER	(Component of Drive Shaft Housing Seal Kit 26-32511A) See Note 1	1	[6]
24	0046	44292A3	BASE ASSEMBLY Water Pump		1	[7]
25	0027	426311	GASKET		1	[6]
26	0025	90011	O-RING (2.175 x .175)		AR	[6]
26	0025	38099	O-RING (2.109 I.D.)		AR	[8]
27	0026	89238	SEAL Oil		1	[8]
28	0026	16977	SEAL Oil		1	[8]
29	0027	856081	GASKET LOWER	See Note 1	1	[6]
30	0027	858524	GASKET UPPER	See Note 1	1	[6]
31	0000	32435	FACE PLATE	See Note 1	1	[9]
32	0046	96148T1	BODY ASSEMBLY Water Pump		1	[9]
33	0000	48752T	INSERT		1	[9]
34	0026	38970	SEAL RUBBER		1	[10]
35	0047	89984T4	IMPELLER	See Note 1	1	[9]
36	0028	56654	KEY	See Note 1	1	[9]
37	0010	96411	SCREW (#14-8 x 2.25)		1	[9]
38	0011	13438	NUT (.250-28)		2	

## GEAR HOUSING (DRIVESHAFT) - MR

# GEAR HOUSING (DRIVESHAFT) - MR



**NOTE**

This gear housing has the letter  
"A" or "M" stamped on the end of the  
propeller shaft for identification.

30070

## GEAR HOUSING (DRIVESHAFT) - MR

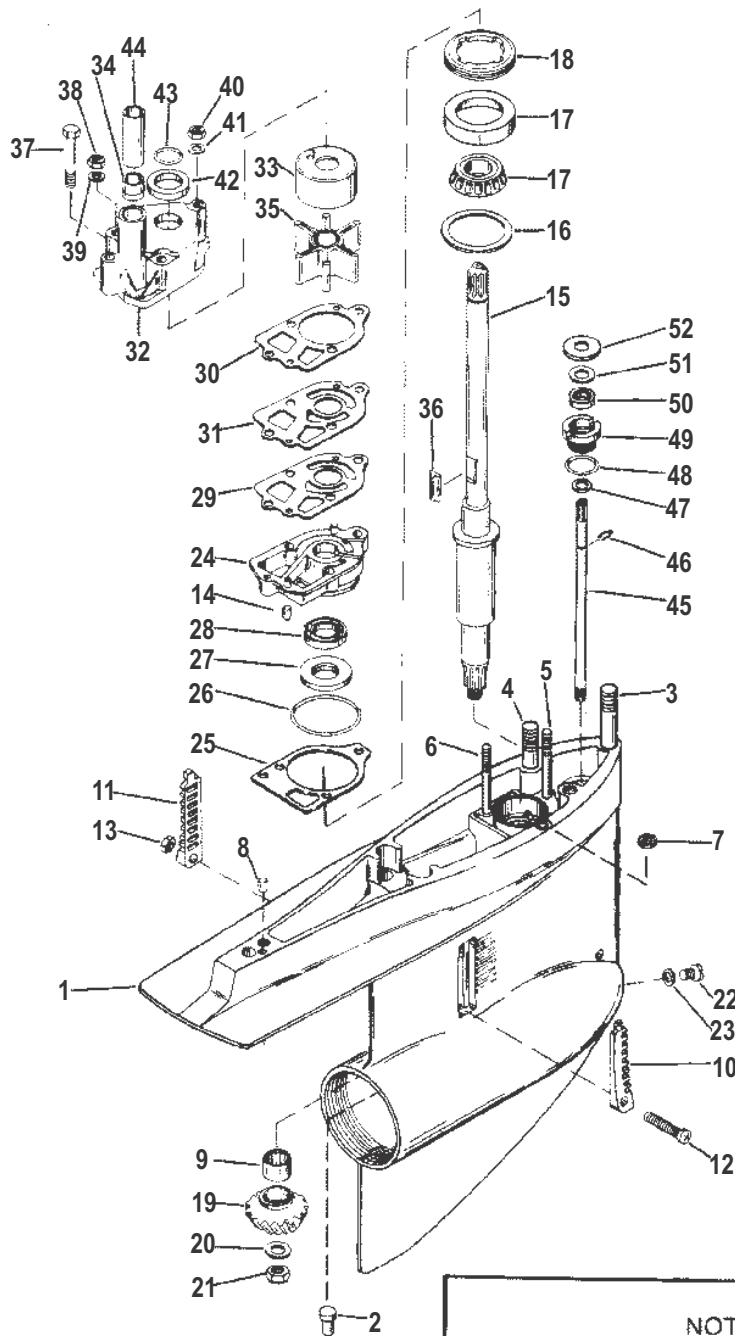
Ref #	Part Class	Part Number	Description	Comments	Qty	Note
39	0012	29245	WASHER (.281 x .500 x .060) Stainless Steel		2	
40	0011	13436	NUT (5/16-24)		1	
41	0012	36001	WASHER		1	
42	0025	30271	RING Rubber	(Component of Water Pump Impeller Kit 47-89984T5)	1	
43	0025	30613	O-RING UPPER	(Component of Water Pump Impeller Kit 47-89984T5)	1	[6]
44	0023	29804T	SLEEVE GUIDE	(Component of Water Pump Impeller Kit 47-89984T5)	1	
45	0000	774811	SHIFT SHAFT		1	
46	0053	29641	E RING		1	
47	0012	27880	WASHER		1	
48	0025	25439	O-RING (.862 x .103)		1	[8]
49	0023	30617A2	BUSHING ASSEMBLY		1	[8]
50	0026	892361	SEAL Oil		1	[8]
51	0012	31266	WASHER RUBBER		1	[8]
52	0012	29395	WASHER (.390 x 1.00 x .06)		1	
-	0026	33144A2	SEAL KIT		1	
-	0026	32511A1	SEAL KIT		1	
-	0046	96148A8	WATER PUMP REPAIR KIT		1	[11]
-	0043	878087A4	GEAR SET		1	
-	0031	803090T1	BEARING AND SEAL KIT		1	
-	0043	803091T1	REPAIR KIT Lower Unit		1	
-	0046	44292A3	BASE ASSEMBLY Water Pump		1	[7]
-	0047	89984T5	IMPELLER KIT Water Pump		1	[12]

## PART NOTES:

- [1] - Alternate part numbers:  
8951A43QS  
8951R43Reman
- [2] - COMPONENT OF LOWER SEAL KIT 33144A 2  
COMPONENT OF SEAL and BEARING REPAIR KIT 803090T 1  
COMPONENT OF LOWER UNIT REPAIR KIT 803091T 1  
COMPONENT OF DRIVESHAFT HOUSING SEAL KIT 32511A 1
- [3] - COMPONENT OF GEAR SET 878087A 4  
COMPONENT OF SEAL and BEARING REPAIR KIT 803090T 1  
COMPONENT OF LOWER UNIT REPAIR KIT 803091T 1
- [4] - COMPONENT OF GEAR SET 878087A 4  
COMPONENT OF LOWER UNIT REPAIR KIT 803091T 1
- [5] - COMPONENT OF SEAL and BEARING REPAIR KIT 803090T 1  
COMPONENT OF LOWER UNIT REPAIR KIT 803091T 1
- [6] - COMPONENT OF WATER PUMP REBUILD KIT 96148A 8  
COMPONENT OF LOWER SEAL KIT 33144A 2  
COMPONENT OF SEAL and BEARING REPAIR KIT 803090T 1  
COMPONENT OF LOWER UNIT REPAIR KIT 803091T 1

## GEAR HOUSING (DRIVESHAFT) - MR

# GEAR HOUSING (DRIVESHAFT) - MR



**NOTE**

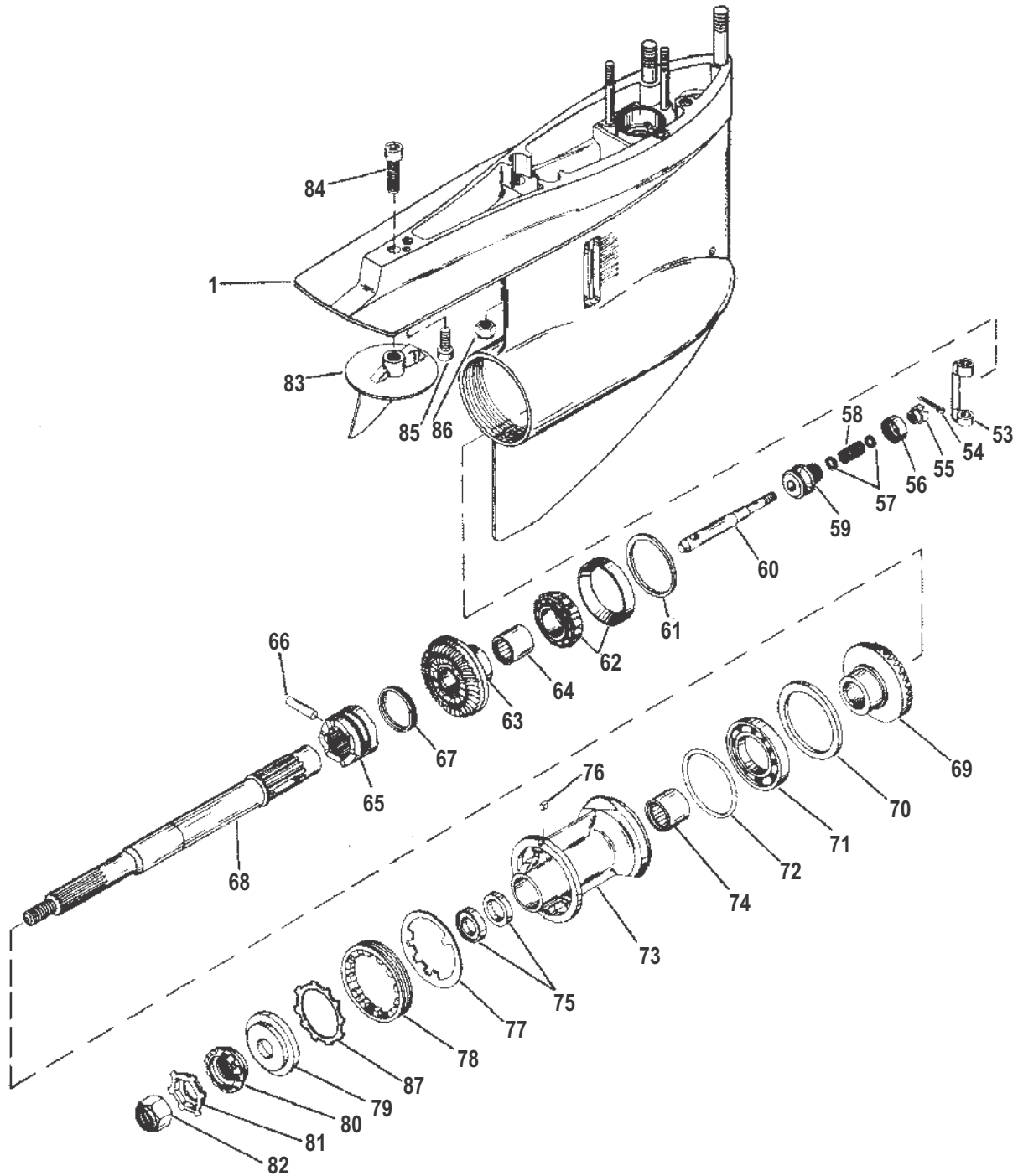
This gear housing has the letter  
"A" or "M" stamped on the end of the  
propeller shaft for identification.

30070

## GEAR HOUSING (DRIVESHAFT) - MR

- [7] - Alternate part numbers:
  - 44292A 3Service Part
  - 44292Q03QS
- [8] - COMPONENT OF LOWER SEAL KIT 33144A 2  
COMPONENT OF SEAL and BEARING REPAIR KIT 803090T 1  
COMPONENT OF LOWER UNIT REPAIR KIT 803091T 1
- [9] - COMPONENT OF WATER PUMP REBUILD KIT 96148A 8
- [10] - COMPONENT OF WATER PUMP REBUILD KIT 96148A 8  
COMPONENT OF DRIVESHAFT HOUSING SEAL KIT 32511A 1
- [11] - Alternate part numbers:
  - 96148A 8Service Part
  - 96148Q 8QS
  - 96148T 8MPP
- [12] - Alternate part numbers:
  - 89984Q 5QS
  - 89984T 5MPP

# GEAR HOUSING (PROPELLER SHAFT) - MR



30071

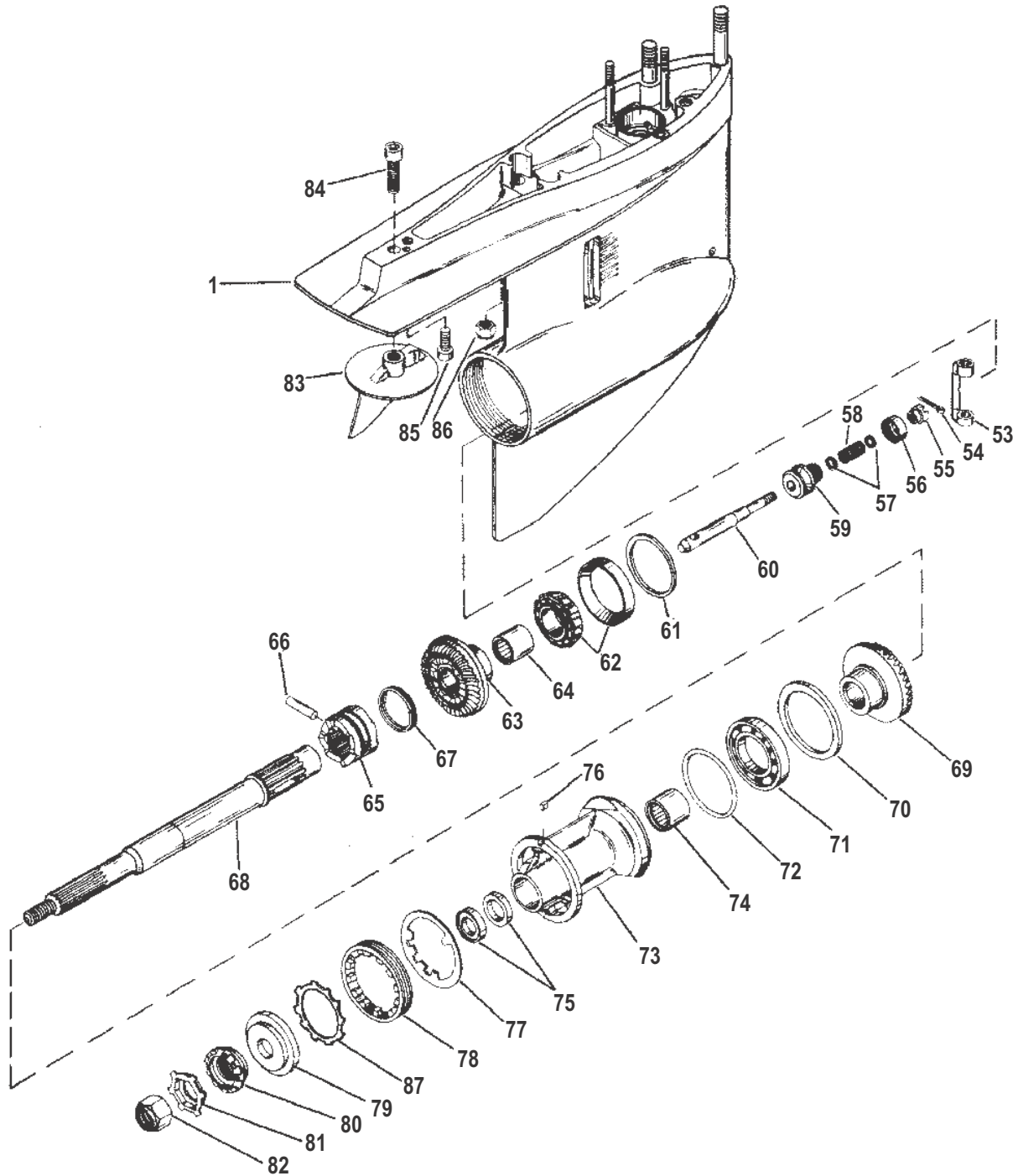
## GEAR HOUSING (PROPELLER SHAFT) - MR

Ref #	Part Class	Part Number	Description	Comments	Qty	Note
--	1623	8951A43	GEAR HOUSING ASSEMBLY COMPLETE BLACK		1	[1]
1	1623	8951A37	GEAR HOUSING ASSEMBLY		1	
53	0000	76865	CRANK Shift		1	
54	0018	469501	COTTER PIN		1	[2]
55		NSS	NOT SOLD SEPARATE Adjusting, Shaft	(Replacement Spool Assembly 818349T1)	1	
56		NSS	NOT SOLD SEPARATE Spring Shaft	(Replacement Spool Assembly 818349T1)	1	
57		NSS	NOT SOLD SEPARATE Clutch Actuating Shaft	(Replacement Spool Assembly 818349T1)	2	
58		NSS	NOT SOLD SEPARATE Compression	(Replacement Spool Assembly 818349T1)	1	
59		NSS	NOT SOLD SEPARATE Clutch Actuating Shaft	(Replacement Spool Assembly 818349T1)	1	
60		NSS	NOT SOLD SEPARATE Clutch Actuating	(Replacement Spool Assembly 818349T1)	1	
61	0015	47397A1	SHIM SET		AR	[3]
62	0031	35928T1	BEARING ASSEMBLY Tapered Roller		1	[4]
63		NSS	NOT SOLD SEPARATE		1	[5]
64	0031	42679	BEARING Roller (TORRINGTON #GB-1616)		AR	[6]
64	0031	30895T	BEARING Needle (TORRINGTON #B-1616)		AR	[4]
65	0052	853594T	CLUTCH		1	[7]
66	0017	30632	PIN Cross		1	
67	0024	30893	SPRING		1	
68	0044	824110	PROPELLER SHAFT		1	
69	0043	824109A1	GEAR ASSEMBLY Reverse		1	[8]
70	0000	681001	RING Thrust		1	
71	0030	88957T	BEARING Ball		1	[3]
72	0025	31534	O-RING		1	[9]
73	0000	73020A14	CARRIER ASSEMBLY Bearing (CASTING #73020C)		1	
73	0000	818763A10	CARRIER ASSEMBLY Bearing (CASTING #73020C1)		1	
74	0031	30956T	BEARING Needle		1	[3]
75	0026	76868	SEAL		2	[9]
75	0026	14077	SEAL Oil (INSIDE) CUTTER SEAL		1	
75	0026	12224	SEAL Fish Line Cutting (OUTSIDE) CUTTER SEAL		1	[9]
76	0028	30281	KEY		1	
77	0014	79447	TAB WASHER (USE WITH 73020C CARRIER)		1	[6]
77	0014	18323	TAB WASHER (USE WITH 73020C1 CARRIER)		1	[6]
78	0000	79448	RETAINER		1	
79	0012	8354671	THRUST HUB (FOR USE W/ BLACK MAX PROPELLERS)		1	[10]

## GEAR HOUSING (PROPELLER SHAFT) - MR



# GEAR HOUSING (PROPELLER SHAFT) - MR



30071

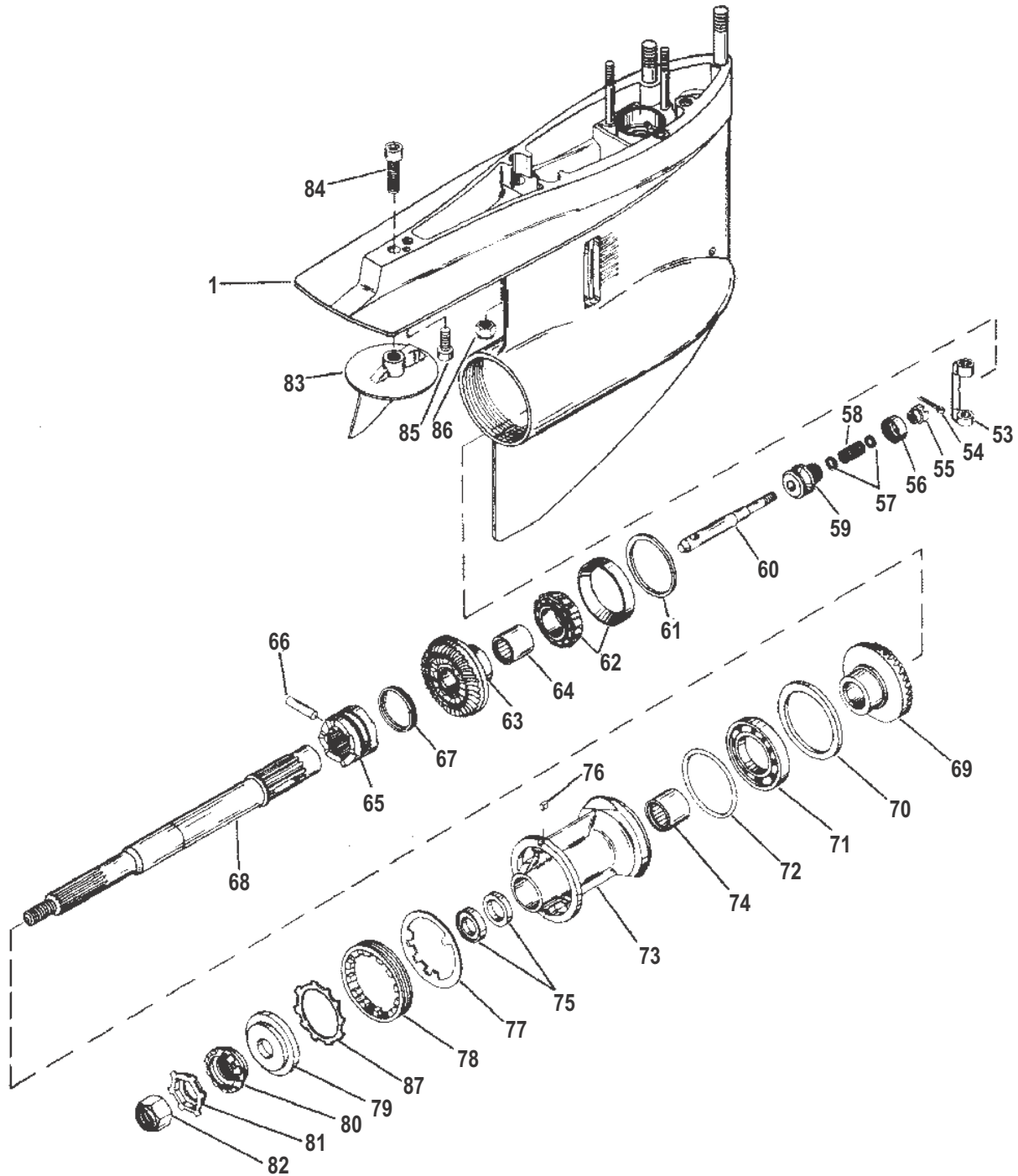
## GEAR HOUSING (PROPELLER SHAFT) - MR

Ref #	Part Class	Part Number	Description	Comments	Qty	Note
79	0000	56292A4	THRUST HUB (FOR USE W/M/C I PROPELLERS)		1	
80	0012	31211A3	WASHER SPLINED		1	
81	0014	816629	TAB WASHER		1	[11]
82	0011	52707Q1	PROP NUT KIT (.750-16)		1	[12]
83	0097	31640Q4	TRIM TAB (2-3/8 inch)		1	[13]
83	0000	34127T2	TRIM TAB ASSEMBLY (4 inch)	THIS TRIM TAB CANNOT BE USED WITH BLACK MAX PROPELLERS	OPT	
84	0010	32470	SCREW (.437-14 x 1.75)		1	
85	0010	30206	SCREW (.375-16 x 1.00) Stainless Steel		1	
86	0011	859116	NUT (.437-20)		2	
87	0013	423511	LOCKWASHER Toothed		1	
-	0026	33144A2	SEAL KIT		1	
-	0043	96084A2	GEAR REPLACEMENT KIT		1	
-	0043	878087A4	GEAR SET		1	
-	0031	803090T1	BEARING AND SEAL KIT		1	
-	0043	803091T1	REPAIR KIT Lower Unit		1	

## PART NOTES:

- [1] - Alternate part numbers:  
8951A43QS  
8951R43Reman
- [2] - COMPONENT OF GEAR SET 96084A 2
- [3] - COMPONENT OF GEAR SET 878087A 4  
COMPONENT OF SEAL and BEARING REPAIR KIT 803090T 1  
COMPONENT OF LOWER UNIT REPAIR KIT 803091T 1
- [4] - COMPONENT OF GEAR SET 96084A 2  
COMPONENT OF GEAR SET 878087A 4  
COMPONENT OF SEAL and BEARING REPAIR KIT 803090T 1  
COMPONENT OF LOWER UNIT REPAIR KIT 803091T 1
- [5] - COMPONENT OF GEAR SET 878087A 4
- [6] - COMPONENT OF SEAL and BEARING REPAIR KIT 803090T 1  
COMPONENT OF LOWER UNIT REPAIR KIT 803091T 1
- [7] - COMPONENT OF LOWER UNIT REPAIR KIT 803091T 1
- [8] - COMPONENT OF GEAR SET 878087A 4  
COMPONENT OF LOWER UNIT REPAIR KIT 803091T 1
- [9] - COMPONENT OF LOWER SEAL KIT 33144A 2  
COMPONENT OF SEAL and BEARING REPAIR KIT 803090T 1  
COMPONENT OF LOWER UNIT REPAIR KIT 803091T 1
- [10] - Alternate part numbers:  
835467 1Service Part  
835467K01MPP  
835467Q01QS

# GEAR HOUSING (PROPELLER SHAFT) - MR

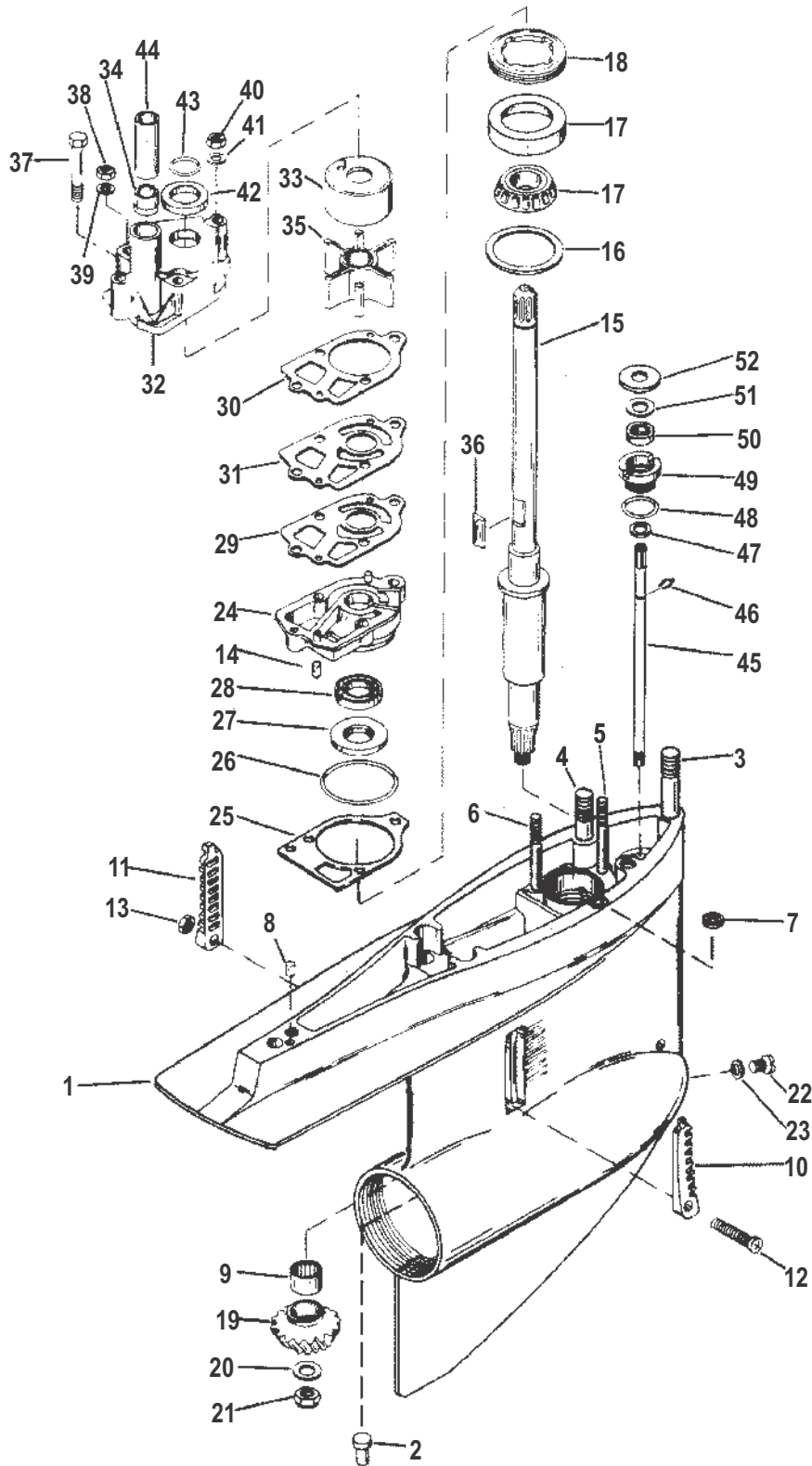


30071

## GEAR HOUSING (PROPELLER SHAFT) - MR

- [11] - Alternate part numbers:
  - 816629Service Part
  - 816629KMPP
  - 816629QQS
- [12] - Alternate part numbers:
  - 52707A 1Service Part
  - 52707Q 1QS
  - 52707T 1MPP
  - 827614BBulk Pack
- [13] - Alternate part numbers:
  - 31640 4Service Part
  - 31640Q 4QS
  - 31640T 4MPP
  - 31640T 6Magnesium
  - 8M0059338Bulk Pack

# GEAR HOUSING (DRIVESHAFT) - (COUNTER ROTATION)



30072

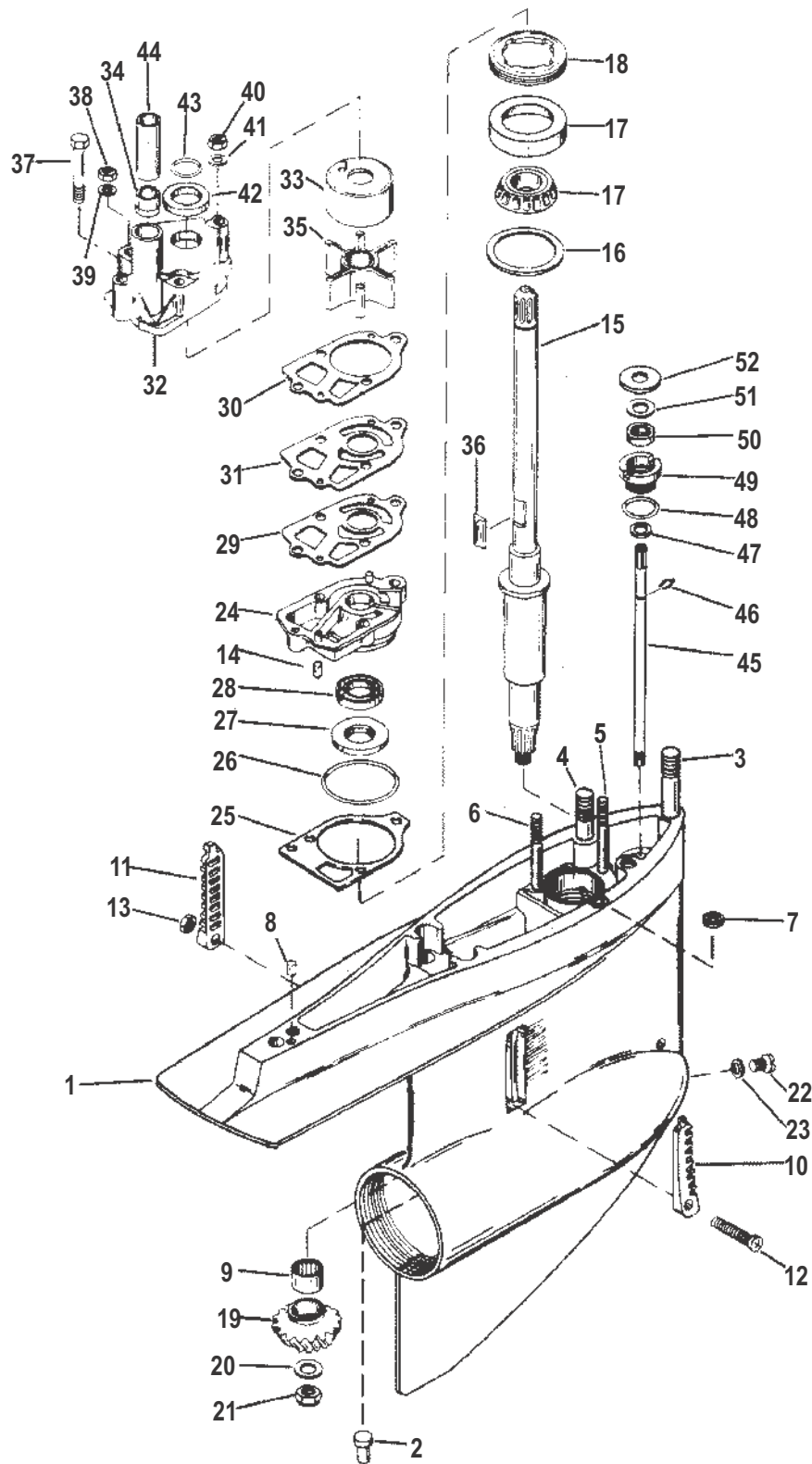
## GEAR HOUSING (DRIVESHAFT) - (COUNTER ROTATION)

## GEAR HOUSING (DRIVESHAFT) - (COUNTER ROTATION)

Ref #	Part Class	Part Number	Description	Comments	Qty	Note
--	1623	8951A33	GEAR HOUSING ASSEMBLY		1	[1]
1	1623	8951A39	GEAR HOUSING ASSEMBLY		1	
2	0017	379721	PIN SHIFT CRANK - GEAR HOUSING		1	
3	0016	46911	STUD GEAR HOUSING TO DRIVE SHAFT HOUSING (3-3/16 inch)		1	
4	0016	56298	STUD (.437 X 1.97) GEAR HOUSING TO DRIVE SHAFT HOUSING (1-31/32 inch)		2	
5	0016	562972	STUD (.312-18/.324-24 x 3.380) WATER PUMP GEAR HOUSING		1	
6	0016	69501	STUD WATER PUMP GEAR HOUSING (3-1/4 inch)		2	
7	0026	455771	SEAL GEAR HOUSING		1	[2]
8	0017	35973	PIN Dowel GEAR HOUSING		2	
9	0031	42647A1	BEARING ASSEMBLY Roller DRIVE SHAFT		1	[3]
10	0000	934231	INSERT WATER PICKUP (STARBOARD)		1	
11	0000	934241	INSERT WATER PICKUP (PORT)		1	
12	0010	76156	SCREW (#10-32 x 1.88) INSERT TO GEAR HOUSING		1	
13	0011	45812	NUT (#10-32) Stainless Steel INSERT SCREW		1	
14	0017	42836	PIN Groove WATER PUMP		1	
15	0045	42634	DRIVESHAFT ASSEMBLY		1	
16	0015	42637A1	SHIM SET DRIVE SHAFT BEARING		AR	[3]
17	0031	36387A1	BEARING ASSEMBLY Roller/Cup DRIVESHAFT		1	[3]
18	0000	8245191	RETAINER DRIVE SHAFT BEARING		1	
19	0043	828071A1	GEAR SET (INCLUDES PINION AND FORWARD GEARS)		1	[4]
20	0012	92721	WASHER PINION GEAR		1	[3]
21	0011	35921	NUT (.625-18) PINION GEAR TO DRIVESHAFT		1	[3]
22	0022	67892A1	FITTING KIT Magnetic, Plug Fill/Drain		1	
23	0012	191832	WASHER FILL/DRAIN SCREW	(Component of Lower Seal Kit 26-33144A2)	1	[5]
24	0046	44292A3	BASE ASSEMBLY Water Pump		1	[6]
25	0027	426311	GASKET WATER PUMP TO GEAR HSG	(Component of Water Pump Kit 46-44292A3)	1	[2]
26	0025	90011	O-RING (2.175 x .175) WATER PUMP	(Component of Water Pump Kit 46-44292A3)	1	[2]
27	0026	16977	SEAL Oil WATER PUMP		1	[7]
28	0026	16977	SEAL Oil WATER PUMP		1	[8]
29	0027	856081	GASKET LOWER - WATER PUMP	(Component of Water Pump Impeller Kit 47-89984T5)	1	[2]

## GEAR HOUSING (DRIVESHAFT) - (COUNTER ROTATION)

# GEAR HOUSING (DRIVESHAFT) - (COUNTER ROTATION)



30072

## GEAR HOUSING (DRIVESHAFT) - (COUNTER ROTATION)

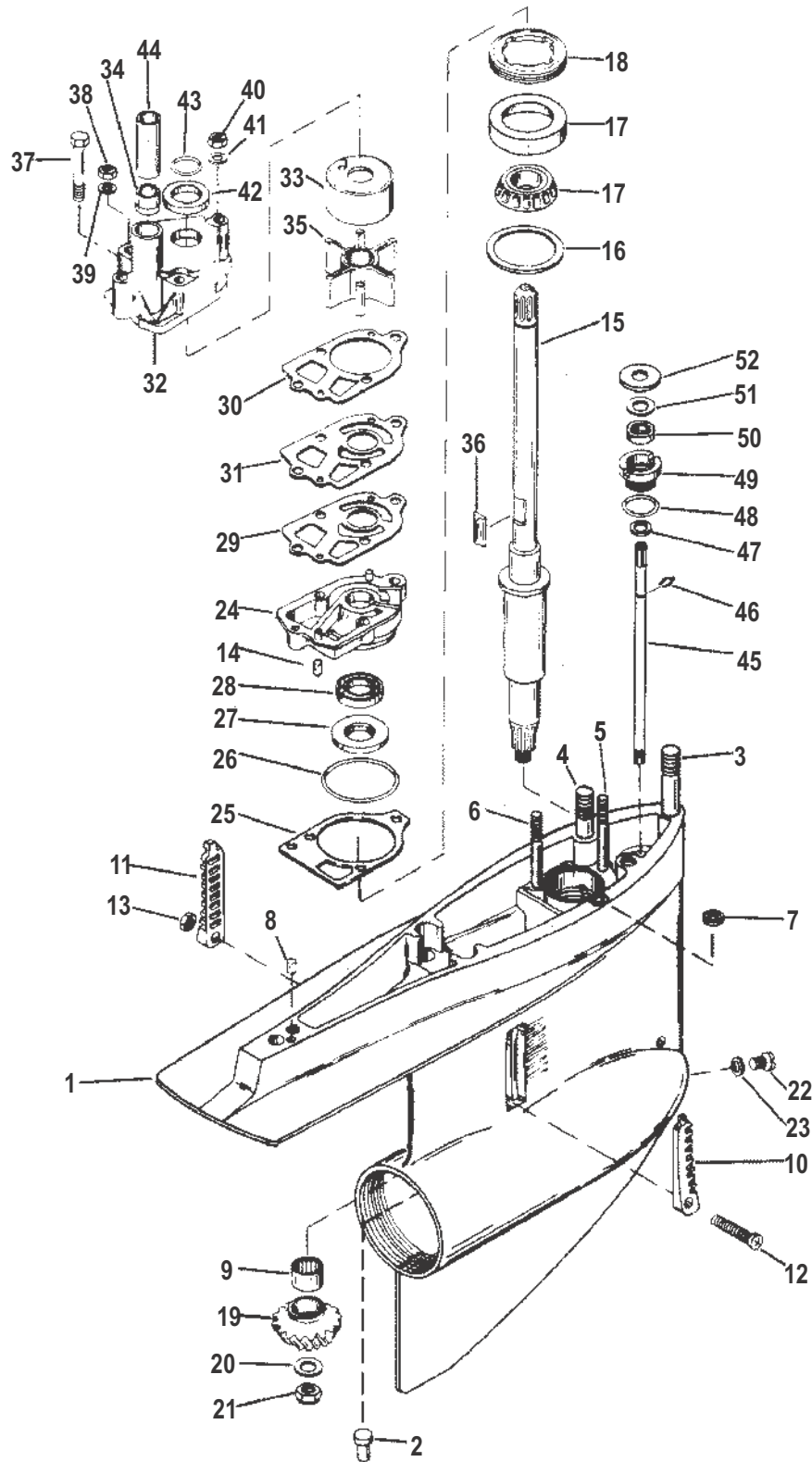
## GEAR HOUSING (DRIVESHAFT) - (COUNTER ROTATION)

Ref #	Part Class	Part Number	Description	Comments	Qty	Note
30	0027	858524	GASKET UPPER - WATER PUMP	(Component of Water Pump Impeller Kit 47-89984T5)	1	[2]
31	0000	32435	FACE PLATE		1	[9]
32	0046	96148T1	BODY ASSEMBLY Water Pump		1	[10]
33	0000	48752T	INSERT WATER PUMP		1	
34	0026	38970	SEAL RUBBER - WATER INLET TUBE		1	[11]
35	0047	89984T4	IMPELLER WATER PUMP		1	[12]
36	0028	56654	KEY IMPELLER DRIVE		1	[12]
37	0010	96411	SCREW (#14-8 x 2.25) WATER PUMP TO GEAR HOUSING		1	[10]
38	0011	13438	NUT (.250-28) WATER PUMP STUD		2	
39	0012	29245	WASHER (.281 x .500 x .060) Stainless Steel WATER PUMP STUD		2	
40	0011	13436	NUT WATER PUMP STUDS (5/16-24)		1	
41	0012	36001	WASHER WATER PUMP STUD		1	
42	0025	30271	RING Rubber DRIVE SHAFT		1	[12]
43	0025	30613	O-RING UPPER - DRIVE SHAFT	(Component of Water Pump Impeller Kit 47-89984T5)	1	[2]
44	0023	29804T	SLEEVE GUIDE - WATER INLET TUBE		1	[9]
45	0000	774811	SHIFT SHAFT LOWER		1	
46	0053	29641	E RING SHIFT SHAFT		1	
47	0012	27880	WASHER LOWER SHIFT SHAFT AND CRANK		1	
48	0025	25439	O-RING (.862 x .103) SHIFT SHAFT BUSHING		1	[7]
49	0023	30617A2	BUSHING ASSEMBLY SHIFT SHAFT		1	[7]
50	0026	892361	SEAL Oil SHIFT SHAFT BUSHING		1	[13]
51	0012	31266	WASHER RUBBER - SHIFT SHAFT BUSHING		1	[13]
52	0012	29395	WASHER (.390 x 1.00 x .06) SHIFT SHAFT		1	
-	0046	96148A8	WATER PUMP REPAIR KIT		-	[14]
-	0026	33144A2	SEAL KIT		-	
-	0026	32511A1	SEAL KIT		1	
-	0031	803092T1	BEARING AND SEAL KIT		1	
-	0043	803093T1	GEAR KIT Lower		1	
-	0046	44292A3	BASE ASSEMBLY Water Pump		1	[6]
-	0047	89984T5	IMPELLER KIT Water Pump		1	[15]

## GEAR HOUSING (DRIVESHAFT) - (COUNTER ROTATION)



# GEAR HOUSING (DRIVESHAFT) - (COUNTER ROTATION)



30072

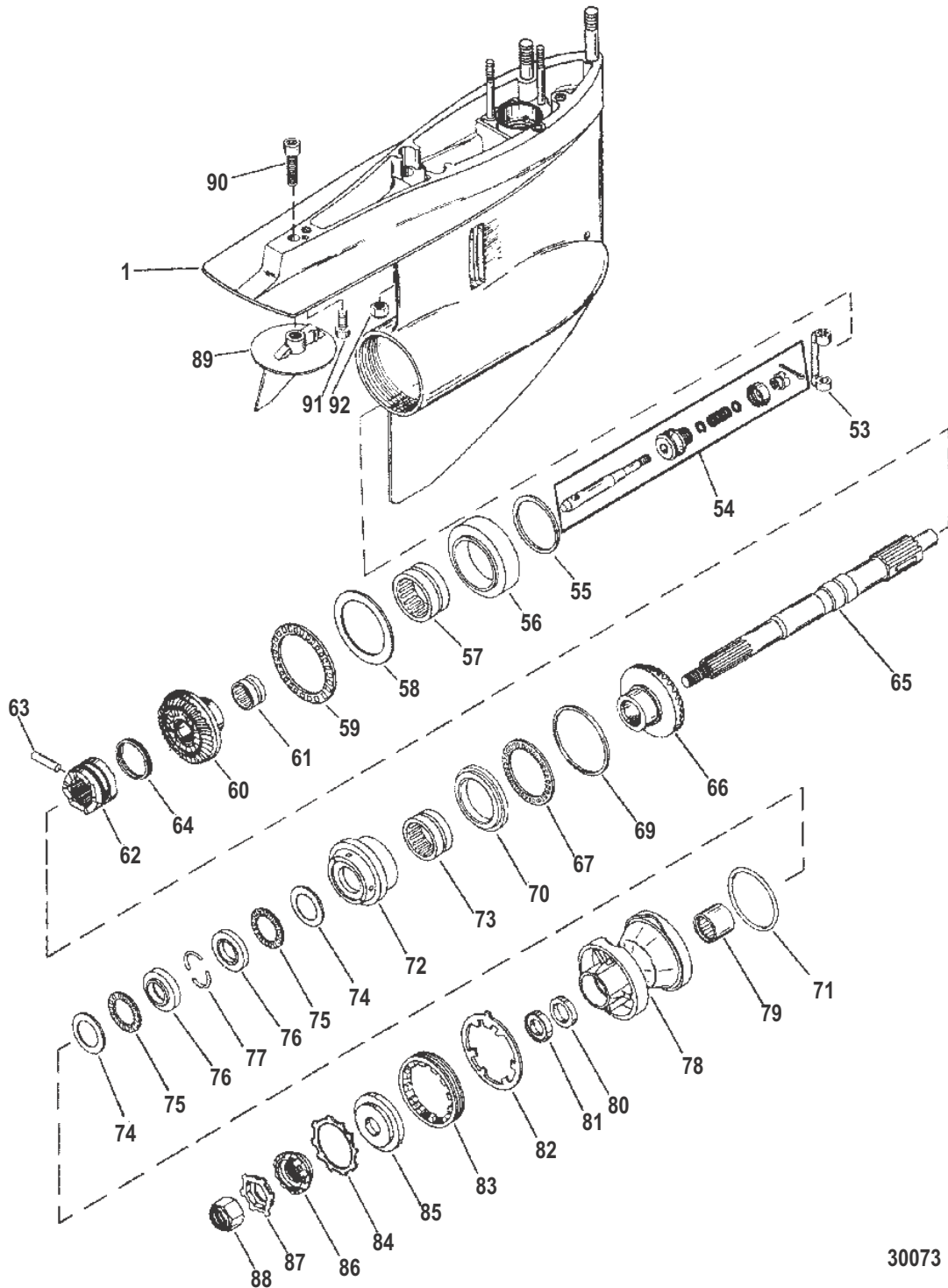
## GEAR HOUSING (DRIVESHAFT) - (COUNTER ROTATION)

## GEAR HOUSING (DRIVESHAFT) - (COUNTER ROTATION)

**PART NOTES:**

- [1] - Alternate part numbers:  
8951A33QS  
8951R33Reman
- [2] - COMPONENT OF LOWER SEAL KIT 33144A 2  
COMPONENT OF SEAL and BEARING KIT 803092T 1  
COMPONENT OF LOWER GEAR KIT 803093T 1  
COMPONENT OF WATER PUMP REBUILD KIT 96148A 8
- [3] - COMPONENT OF SEAL and BEARING KIT 803092T 1  
COMPONENT OF LOWER GEAR KIT 803093T 1
- [4] - COMPONENT OF LOWER GEAR KIT 803093T 1
- [5] - COMPONENT OF SEAL and BEARING KIT 803092T 1  
COMPONENT OF LOWER GEAR KIT 803093T 1  
COMPONENT OF WATER PUMP IMPELLER KIT 89984T 5  
COMPONENT OF WATER PUMP REBUILD KIT 96148A 8
- [6] - Alternate part numbers:  
44292A 3Service Part  
44292Q03QS
- [7] - COMPONENT OF SEAL and BEARING KIT 803092T 1  
COMPONENT OF LOWER GEAR KIT 803093T 1  
COMPONENT OF LOWER SEAL KIT 33144A 2
- [8] - COMPONENT OF LOWER SEAL KIT 33144A 2  
COMPONENT OF SEAL and BEARING KIT 803092T 1
- [9] - COMPONENT OF WATER PUMP IMPELLER KIT 89984T 5
- [10] - COMPONENT OF WATER PUMP REBUILD KIT 96148A 8
- [11] - COMPONENT OF WATER PUMP REBUILD KIT 96148A 8  
COMPONENT OF DRIVESHAFT HOUSING SEAL KIT 32511A 1
- [12] - COMPONENT OF WATER PUMP IMPELLER KIT 89984T 5  
COMPONENT OF WATER PUMP REBUILD KIT 96148A 8
- [13] - COMPONENT OF LOWER SEAL KIT 33144A 2  
COMPONENT OF SEAL and BEARING KIT 803092T 1  
COMPONENT OF LOWER GEAR KIT 803093T 1
- [14] - Alternate part numbers:  
96148A 8Service Part  
96148Q 8QS  
96148T 8MPP
- [15] - Alternate part numbers:  
89984Q 5QS  
89984T 5MPP

# GEAR HOUSING (PROPELLER SHAFT) -(COUNTER ROTATION)



30073

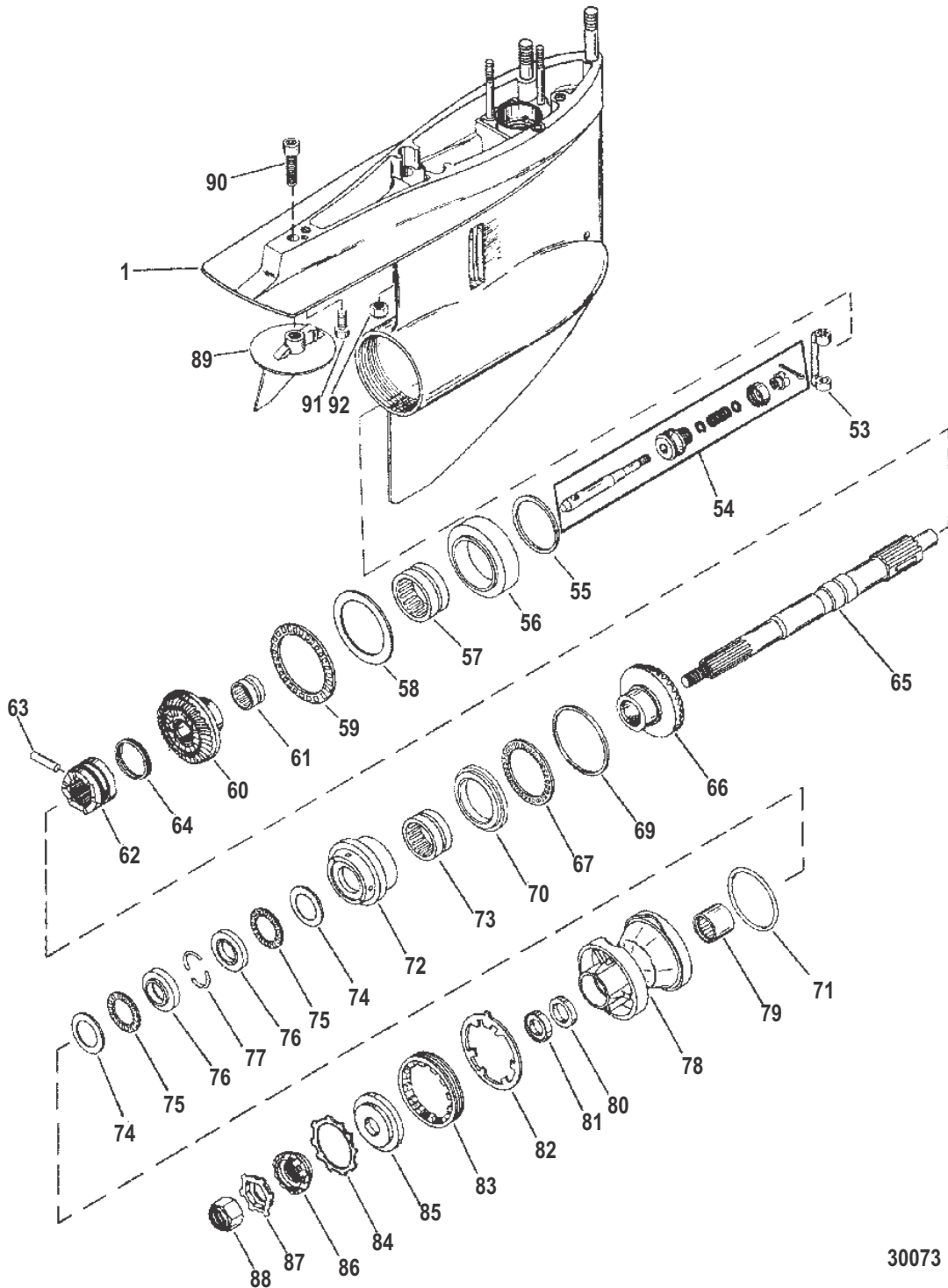
## GEAR HOUSING (PROPELLER SHAFT) -(COUNTER ROTATION)

## GEAR HOUSING (PROPELLER SHAFT) -(COUNTER ROTATION)

Ref #	Part Class	Part Number	Description	Comments	Qty	Note
--	1623	8951A26	GEAR HOUSING ASSEMBLY COMPLETE		1	[1]
1	1623	8951A39	GEAR HOUSING ASSEMBLY		1	
53	0000	76865	CRANK Shift		1	
54	0000	19755A2	SHIFT SPOOL KIT		1	[2]
55	0015	47397A1	SHIM SET BEARING OUTER RACE		AR	[3]
56	0000	815362A1	ADAPTER ASSEMBLY Bearing REVERSE GEAR		1	
56	0000	828830A2	ADAPTER ASSEMBLY Bearing (Used In Generation II Service Replacement Gear Housings.)		1	
57	0031	814653	BEARING ASSEMBLY Needle Rollers		1	[3]
58	0012	815481	THRUST WASHER		1	
59	0031	815480	BEARING Thrust		1	[3]
60	0043	815819A1	GEAR ASSEMBLY Reverse		1	[2]
61	0031	815482	BEARING Roller		1	[3]
62	0052	66063	CLUTCH SLIDING		1	[2]
63	0017	30632	PIN Cross CLUTCH TO PROPELLER SHAFT		1	
64	0024	30893	SPRING REATINER - CROSS PIN		1	
65	0044	8146061	PROPELLER SHAFT		1	
65	0044	824111	PROPELLER SHAFT (Used In Generation II Service Replacement Gear Housings.)		1	
66	0043	812975A5	GEAR SET (INCLUDES FORWARD AND PINION GEARS)		1	
67	0031	15841	BEARING Roller		1	[3]
69	0023	1761514	SPACER SHIM (.206)		AR	
69	0023	1761515	SPACER SHIM (.208)		AR	
69	0023	1761516	SPACER SHIM (.210)		AR	
69	0023	1761517	SPACER SHIM (.212)		AR	
69	0023	1761518	SPACER SHIM (.214)		AR	
69	0023	1761519	SPACER SHIM (.216)		AR	
69	0023	1761520	SPACER SHIM (.218)		AR	
69	0023	1761521	SPACER SHIM (.220)		AR	
69	0023	1761522	SPACER SHIM (.222)		AR	
69	0023	1761523	SPACER SHIM (.224)		AR	
69	0023	1761526	SPACER SHIM (.230)		AR	
69	0023	1761525	SPACER SHIM (.228)		AR	
69	0023	1761526	SPACER SHIM (.230)		AR	
70	0012	17616	THRUST RING		1	
70	0012	815481	THRUST WASHER (Used In Generation II Service Replacement Gear Housings.)		1	
71	0025	31534	O-RING BEARING CARRIER		1	[4]
72	0000	814604A1	ADAPTER ASSEMBLY Bearing		1	

## GEAR HOUSING (PROPELLER SHAFT) -(COUNTER ROTATION)

# GEAR HOUSING (PROPELLER SHAFT) -(COUNTER ROTATION)



30073

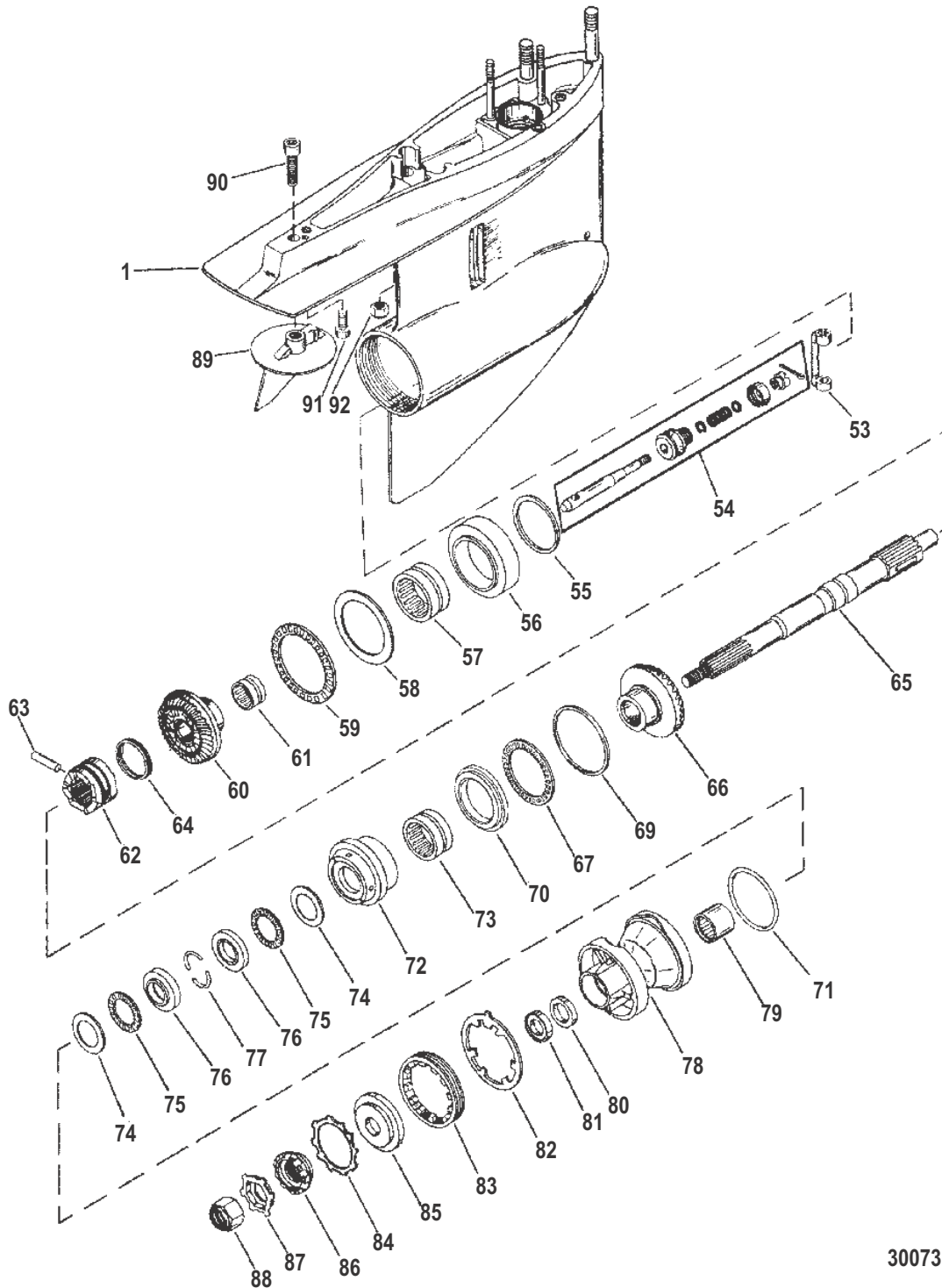
## GEAR HOUSING (PROPELLER SHAFT) -(COUNTER ROTATION)

## GEAR HOUSING (PROPELLER SHAFT) -(COUNTER ROTATION)

Ref #	Part Class	Part Number	Description	Comments	Qty	Note
72	0000	828831A3	ADAPTER ASSEMBLY Bearing (Used In Generation II Service Replacement Gear Housings.)		1	
73	0031	814653	BEARING ASSEMBLY Needle Rollers		1	[3]
74	0012	18448	THRUST WASHER		2	
75	0031	15842	BEARING Thrust		2	[3]
76	0000	815570	THRUST RACE		2	
77	0000	814605	KEEPER		2	
78	0000	14587A5	CARRIER ASSEMBLY Bearing		1	
78	0000	818290A6	CARRIER ASSEMBLY Bearing (Used In Generation II Service Replacement Gear Housings.)		1	
79	0031	30956	BEARING Needle BEARING CARRIER		1	[3]
80	0026	14077	SEAL Oil (INSIDE)		1	
81	0026	12224	SEAL Fish Line Cutting (OUTSIDE)		1	[4]
82	0014	18323	TAB WASHER GEAR HOUSING COVER		1	[3]
83	0000	79448	RETAINER GEAR HOUSING		1	
84	0013	423511	LOCKWASHER Toothed PROPELLER SHAFT		1	
85	0000	13171	THRUST HUB (FOR USE W/ BLACK MAX PROPELLERS)		1	
85	0000	56292A2	THRUST HUB AND WASHER ASSEMBLY (FOR USE W/M/C I PROPELLERS)		1	
86	0012	31211A2	WASHER Splined PROPELLER SHAFT		1	[5]
87	0014	31210	TAB WASHER PROPELLER NUT		1	
88	0011	52707A1	PROP NUT KIT (.750-16) PROPELLER		1	[6]
89	0000	31640A1	TRIM TAB ASSEMBLY GEAR HOUSING (2-3/8 inch)		1	
89	0000	34127A1	TRIM TAB ASSEMBLY GEAR HOUSING (4 inch)	THIS TRIM TAB CANNOT BE USED WITH BLACK MAX PROPELLERS	OPT	
90	0010	32470	SCREW (.437-14 x 1.75) TRIM TAB TO GEAR HOUSING		1	
91	0010	30206	SCREW (.375-16 x 1.00) Stainless Steel GEAR HOUSING TO DRIVE SHAFT HOUSING		1	
92	0011	134391	NUT (.4375-20) DRIVE SHAFT HOUSING STUD		2	
-	0031	803092T1	BEARING AND SEAL KIT		1	
-	0043	803093T1	GEAR KIT Lower		1	

## GEAR HOUSING (PROPELLER SHAFT) -(COUNTER ROTATION)

# GEAR HOUSING (PROPELLER SHAFT) -(COUNTER ROTATION)



30073

## GEAR HOUSING (PROPELLER SHAFT) -(COUNTER ROTATION)

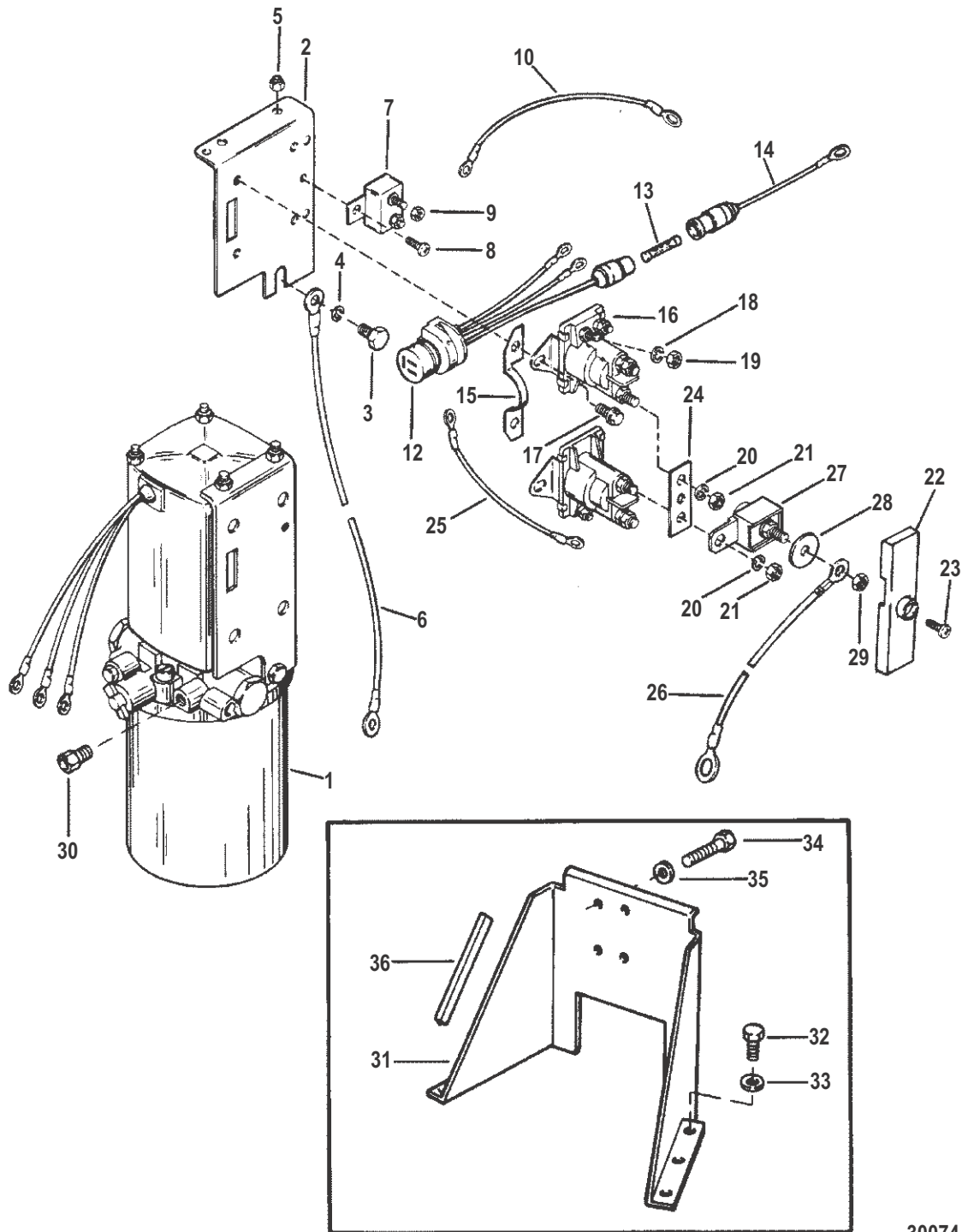
# GEAR HOUSING (PROPELLER SHAFT) -(COUNTER ROTATION)

**PART NOTES:**

- [1] - Alternate part numbers:  
8951A26QS  
8951R33Reman
- [2] - COMPONENT OF LOWER GEAR KIT 803093T 1
- [3] - COMPONENT OF SEAL and BEARING KIT 803092T 1  
COMPONENT OF LOWER GEAR KIT 803093T 1
- [4] - COMPONENT OF SEAL and BEARING KIT 803092T 1  
COMPONENT OF LOWER GEAR KIT 803093T 1  
COMPONENT OF LOWER SEAL KIT 33144A 2
- [5] - Alternate part numbers:  
31211A 2Service Part  
31211K03MPP  
31211Q03QS
- [6] - Alternate part numbers:  
52707A 1Service Part  
52707Q 1QS  
52707T 1MPP  
827614BBulk Pack



HYDRAULIC PUMP AND BRACKET OILDYNE PUMP/METAL RESERVOIR



30074

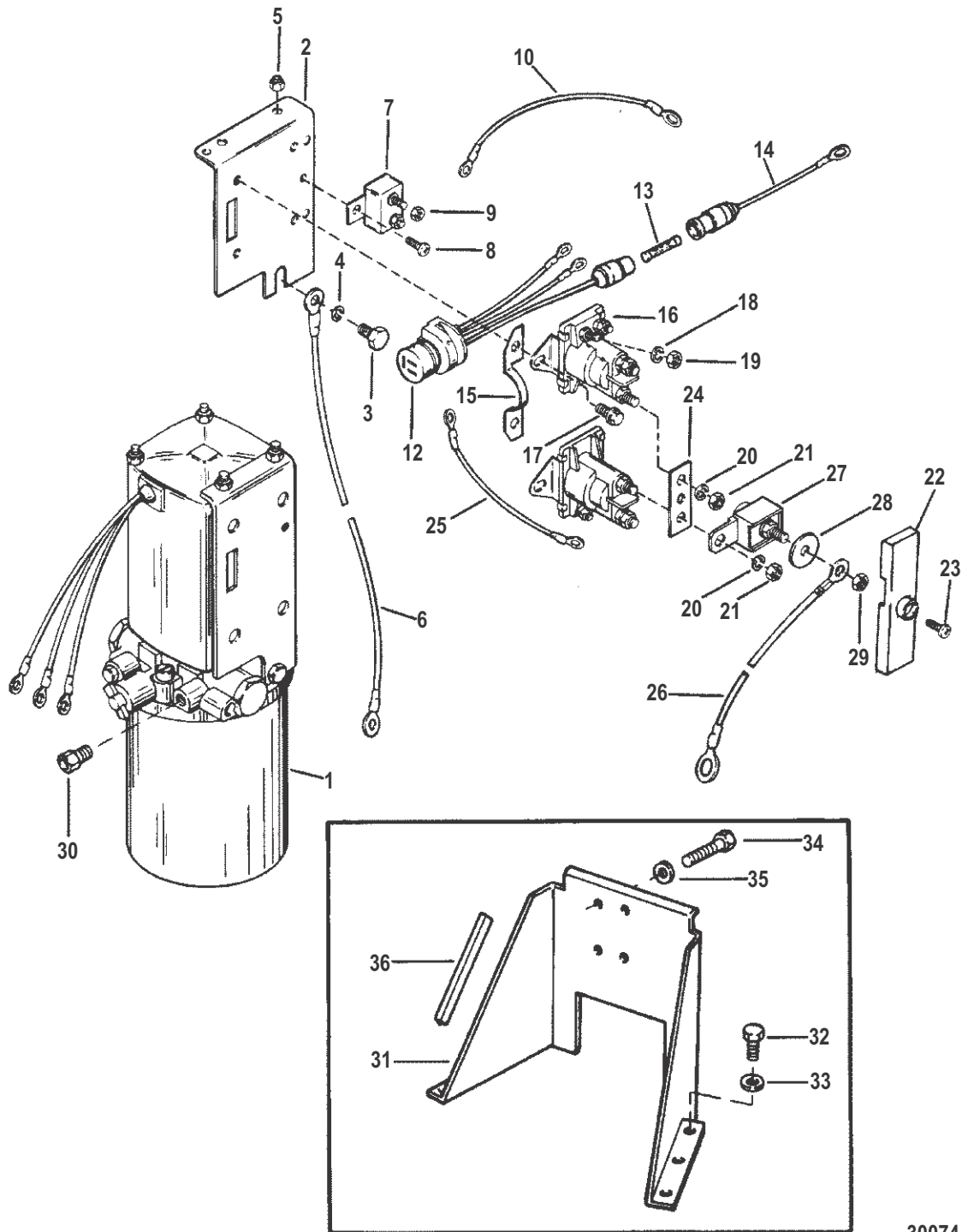
HYDRAULIC PUMP AND BRACKET OILDYNE PUMP/METAL RESERVOIR

## HYDRAULIC PUMP AND BRACKET OILDYNE PUMP/METAL RESERVOIR

Ref #	Part Class	Part Number	Description	Comments	Qty	Note
-	0000	14336A17	PUMP ASSEMBLY Trim		-	
1	0000	14336A20	PUMP/MOTOR ASSEMBLY		1	
2	0000	90426T	BRACKET MOUNTING - STARTER SOLENOID		1	
3	0010	90285	SCREW (.312-18 x .625) MOUNTING BRACKET		1	
4	0012	56720	WASHER (.330 x .750 x .060) Stainless Steel MOUNTING BRACKET SCREW		1	
5	0011	29488	NUT (#10-32) MOUNTING BRACKET TO HYDRAULIC PUMP		2	
6	0084	79138A9	CABLE ASSEMBLY (6.00 Feet) Black-Negative		1	
7	0088	79149	BREAKER Circuit - 20 Ampere		1	
8	0010	807754	SCREW (#10-24 x .38) CIRCUIT BREAKER		1	
9	0011	45076	NUT (#10-32) Brass CIRCUIT BREAKER TERMINAL		2	
10	0084	87379A5	WIRE COLENOID TO SOLENOID (RED)		1	
12	0084	79147A3	HARNESS ASSEMBLY HYDRAULIC PUMP		1	
13	0088	79091	FUSE 20 Ampere		1	
14	0084	95084A2	CABLE ASSEMBLY FUSE		1	
15	0000	88075	RETAINER HARNESS TO MOUNTING BRACKET		1	
16	0089	96158T	SOLENOID TRIM PUMP		2	
17	0010	41508	SCREW (.250-20 x .500) Stainless Steel STARTER SOLENOID TO BRACKET		4	
18	0013	26995	LOCKWASHER (#8) Stainless Steel STARTER SOLENOID TERMINAL		4	
19	0011	26419	NUT (#8-32) Brass STARTER SOLENOID TERMINAL		4	
20	0013	26992	LOCKWASHER (.250) Stainless Steel STARTER SOLENOID TERMINAL		4	
21	0011	94330	NUT (.250-20) Brass STARTER SOLENOID TERMINAL		4	
22	0085	861680	INSULATOR RUBBER - STARTER SOLENOID TERMINAL		1	
23	0010	48409	SCREW (#10-16 x .625) Stainless Steel SOLENOID INSULATOR		1	
24	0000	94275	LINK SOLENOID TO SOLENOID		1	
25	0084	86322A15	CABLE ASSEMBLY (5.50 Inches) Black SOLENOID TO SLOENOID		1	
26	0084	79139A12	CABLE ASSEMBLY Red-Positive		1	
27	0088	79023A10	FUSE ASSEMBLY 110 Ampere		1	
28	0012	96457	WASHER Phenolic (.27 x .81 x .062) FUSE TERMINAL		1	
29	0011	21825	NUT (.250-28) FUSE TERMINAL		1	
30	0022	89029	ADAPTER HYDRAULIC PUMP		1	

HYDRAULIC PUMP AND BRACKET OILDYNE PUMP/METAL RESERVOIR

HYDRAULIC PUMP AND BRACKET OILDYNE PUMP/METAL RESERVOIR



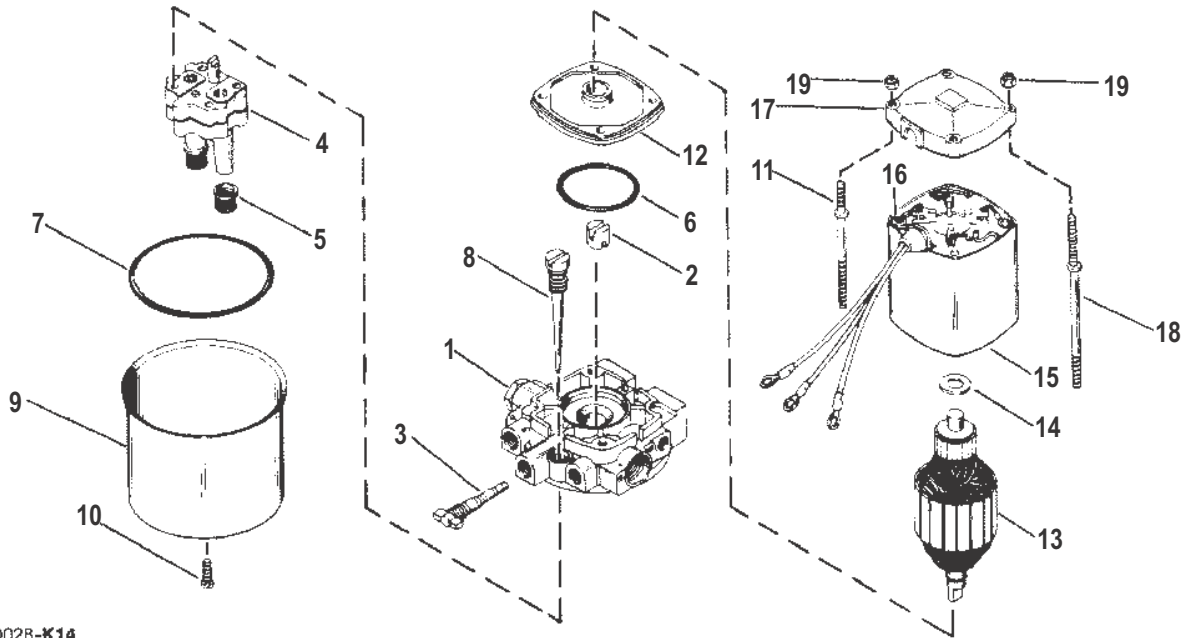
30074

HYDRAULIC PUMP AND BRACKET OILDYNE PUMP/METAL RESERVOIR

## HYDRAULIC PUMP AND BRACKET OILDYNE PUMP/METAL RESERVOIR

Ref #	Part Class	Part Number	Description	Comments	Qty	Note
31	0000	862548A1	BRACKET KIT MOUNTING - HYD. PUMP (FLOOR MOUNTED)		1	
32	0010	59784	SCREW (.250-10 x 1.00) PUMP MOUNTING BRACKET ATTACHING		6	
33	0012	29245	WASHER (.281 x .500 x .060) Stainless Steel PUMP MOUNTING BRACKET SCREW		6	
34	0010	35386	SCREW (.312-18 x 1.00) HYDRAULIC PUMP TO MOUNTING BRACKET		2	
35	0013	39107	LOCKWASHER (.312-24) HYDRAULIC PUMP SCREW		2	
36	0000	58491	CHANNEL Rubber (4.00 Inches) PUMP MOUNTING BRACKET		2	

# HYDRAULIC PUMP OILDYNE PUMP / METAL RESERVOIR



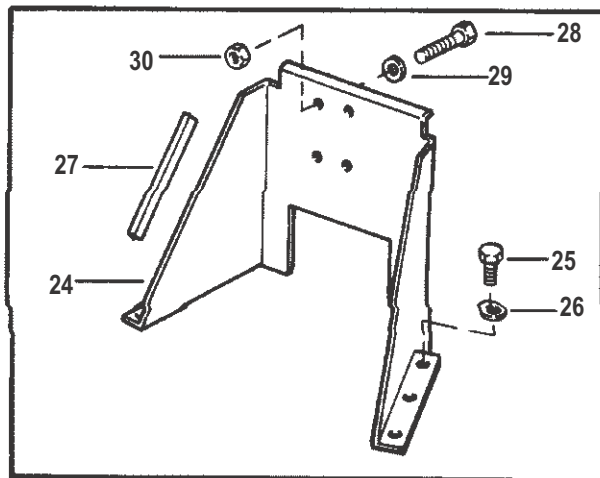
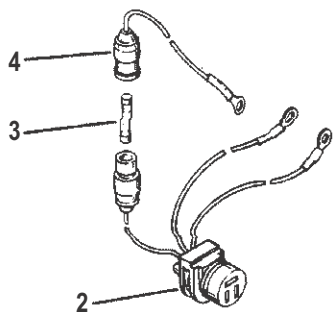
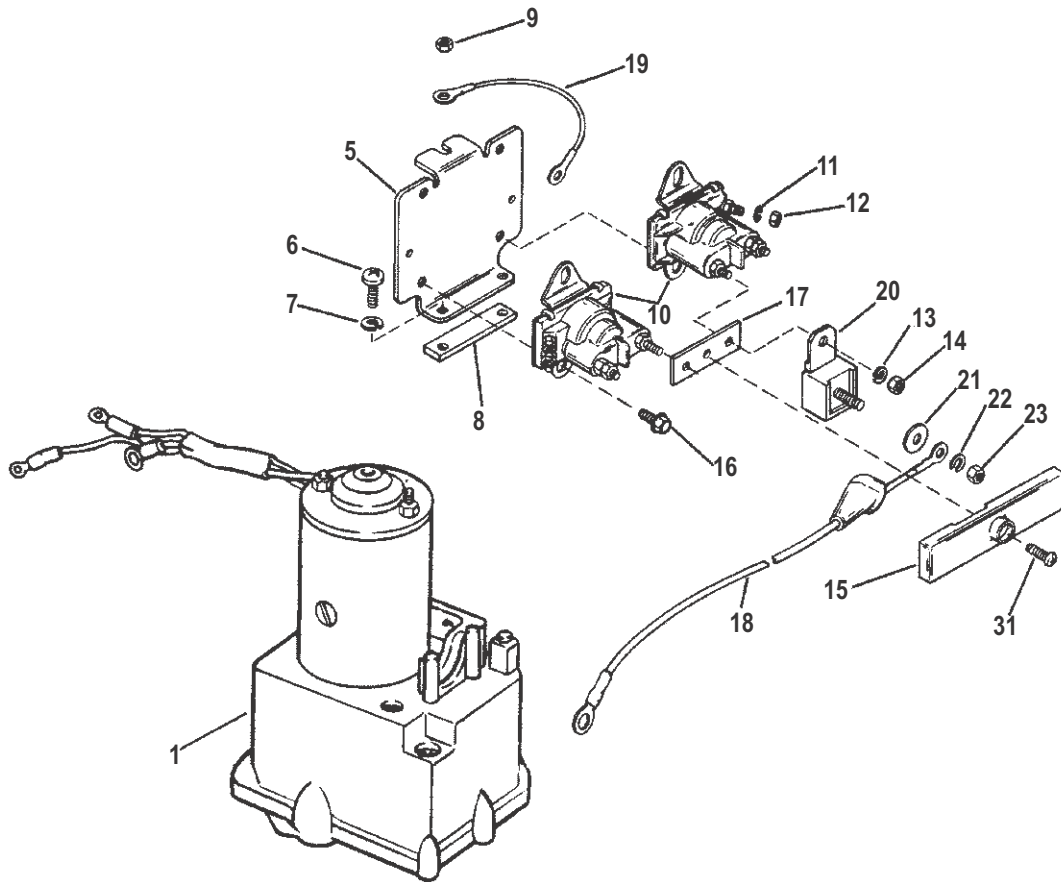
M002B-K14

30075

## HYDRAULIC PUMP OILDYNE PUMP / METAL RESERVOIR

Ref #	Part Class	Part Number	Description	Comments	Qty	Note
--	0000	14336A20	PUMP/MOTOR ASSEMBLY		1	
1	0000	41217T	ADAPTER		1	
2	0000	803852	COUPLING		1	
3	0000	803853A1	MANUAL RELEASE (INCLUDES 2 O-RINGS)		AR	
3	0000	96598A1	MANUAL RELEASE (INCLUDES 3 O-RINGS)		AR	
4	0000	41216	PUMP (INCLUDES SCREWS)		1	
5	0035	89496	FILTER		2	
6	0025	89498	O-RING MOTOR END		1	
7	0025	89497	O-RING RESERVOIR END		1	
8	0000	41218	DIPSTICK		1	
9	0000	41219T	RESERVOIR		1	
10	0010	41220	SCREW RESERVOIR (INCLUDES O-RING)		1	
11	0016	41222	THRU STUD (SHORT)		1	
11	0016	41221	THRU STUD (LONG)		1	
--	0000	17649A1	MOTOR HYDRAULIC PUMP		1	
12	0000	89484	END FRAME DRIVE END		1	
13	0000	41214	ARMATURE		1	
14	0012	89482	WASHER THRUST - ARMATURE		1	
15	0000	41215	FIELD FRAME		1	
16	0000	89487	BRUSH CARD		1	
17	0000	89488	END FRAME COMMUTATOR END		1	
18	0010	41212	THRU BOLT MOTOR (SHORT)		1	
18	0010	41213	THRU BOLT MOTOR (LONG)		1	
19	0011	89481	NUT THRU BOLT AND STUD		6	
-	0019	11005A1	PLUG ASSEMBLY Valve		-	
-	0000	99073A1	REPAIR KIT Overhaul		-	
-	0000	95353A1	VALVE KIT Thermal Relief		-	
-	0000	812499A1	VALVE KIT Relief		-	
-	0000	812498A1	VALVE KIT Relief		-	

# HYDRAULIC PUMP AND BRACKET PRETOLITE PUMP



30076

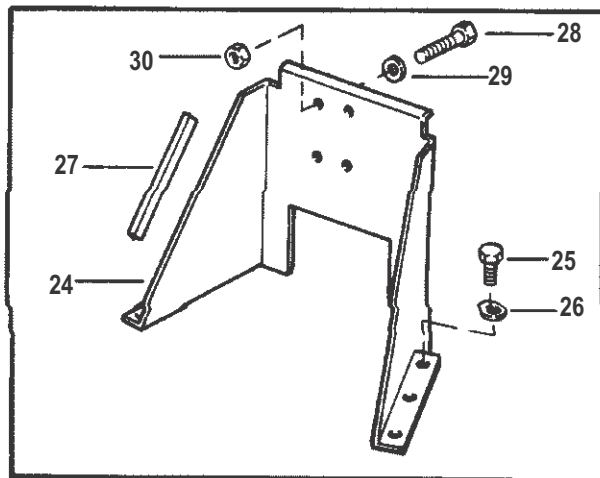
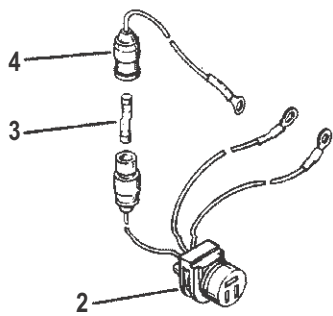
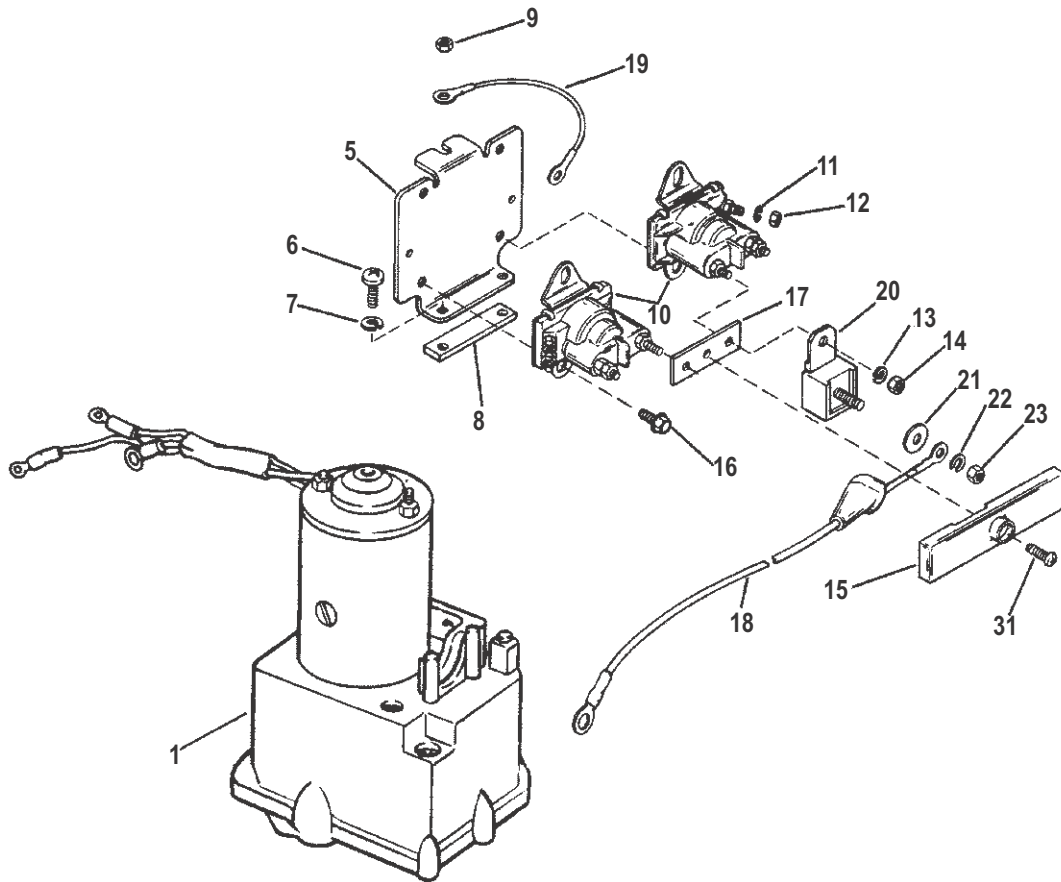
## HYDRAULIC PUMP AND BRACKET PRETOLITE PUMP

Ref #	Part Class	Part Number	Description	Comments	Qty	Note
1	0000	14336A17	PUMP ASSEMBLY Trim (PLASTIC RESERVOIR)		1	
2	0084	79147A3	HARNESS ASSEMBLY		1	
3	0088	79091	FUSE 20 Ampere		1	
4	0084	95084A2	CABLE ASSEMBLY FUSE		1	
5	0000	94279	BRACKET MOUNTING - STARTER SOLENOID		1	
6	0010	48060	SCREW (.250-14 x .625) MOUNTING BRACKET TO HYDRAULIC PUMP		2	
7	0013	26992	LOCKWASHER (.250) Stainless Steel MOUNTING BRACKET SCREW		2	
8	0023	96784	SPACER MOUNTING BRACKET SCREW		1	
9	0011	24656	NUT MOUNTING BRACKET TO HYDRAULIC PUMP THRU BOLT		1	
10	0089	96158T	SOLENOID TRIM PUMP		2	
11	0013	26995	LOCKWASHER (#8) Stainless Steel SOLENOID TERMINAL		4	
12	0011	26419	NUT (#8-32) Brass SOLENOID TERMINAL		4	
13	0013	26992	LOCKWASHER (.250) Stainless Steel SOLENOID TERMINAL		4	
14	0011	94330	NUT (.250-20) Brass SOLENOID TERMINAL		4	
15	0085	861680	INSULATOR STARTER SOLENOID TERMINAL		1	
16	0010	41508	SCREW (.250-20 x .500) Stainless Steel STARTER SOLENOID TO MOUNTING BRACKET		4	
17	0000	94275	LINK SOLENOID TO SOLENOID		1	
18	0084	79139A12	CABLE ASSEMBLY Red-Positive		1	
18	0084	79138A1	CABLE ASSEMBLY (NEGATIVE)		1	
19	0084	86322A15	CABLE ASSEMBLY (5.50 Inches) Black STARTER SOLENOID		2	
20	0088	79023A10	FUSE ASSEMBLY 110 Ampere		1	
21	0012	96457	WASHER Phenolic (.27 x .81 x .062) FUSE TERMINAL		1	
22	0013	26992	LOCKWASHER (.250) Stainless Steel FUSE TERMINAL		1	
23	0011	21825	NUT (.250-28) FUSE TERMINAL		1	
24	0000	862548A1	BRACKET KIT MOUNTING - HYD. PUMP	(FLOOR MOUNTED)	1	
25	0010	59784	SCREW (.250-10 x 1.00) PUMP MOUNTING BRACKET ATTACHING (1 inch)		6	
26	0012	29245	WASHER (.281 x .500 x .060) Stainless Steel PUMP MOUNTING BRACKET SCREW		6	
27	0000	58491	CHANNEL Rubber (4.00 Inches) PUMP MOUNTING BRACKET		2	

HYDRAULIC PUMP AND BRACKET PRETOLITE PUMP



# HYDRAULIC PUMP AND BRACKET PRETOLITE PUMP

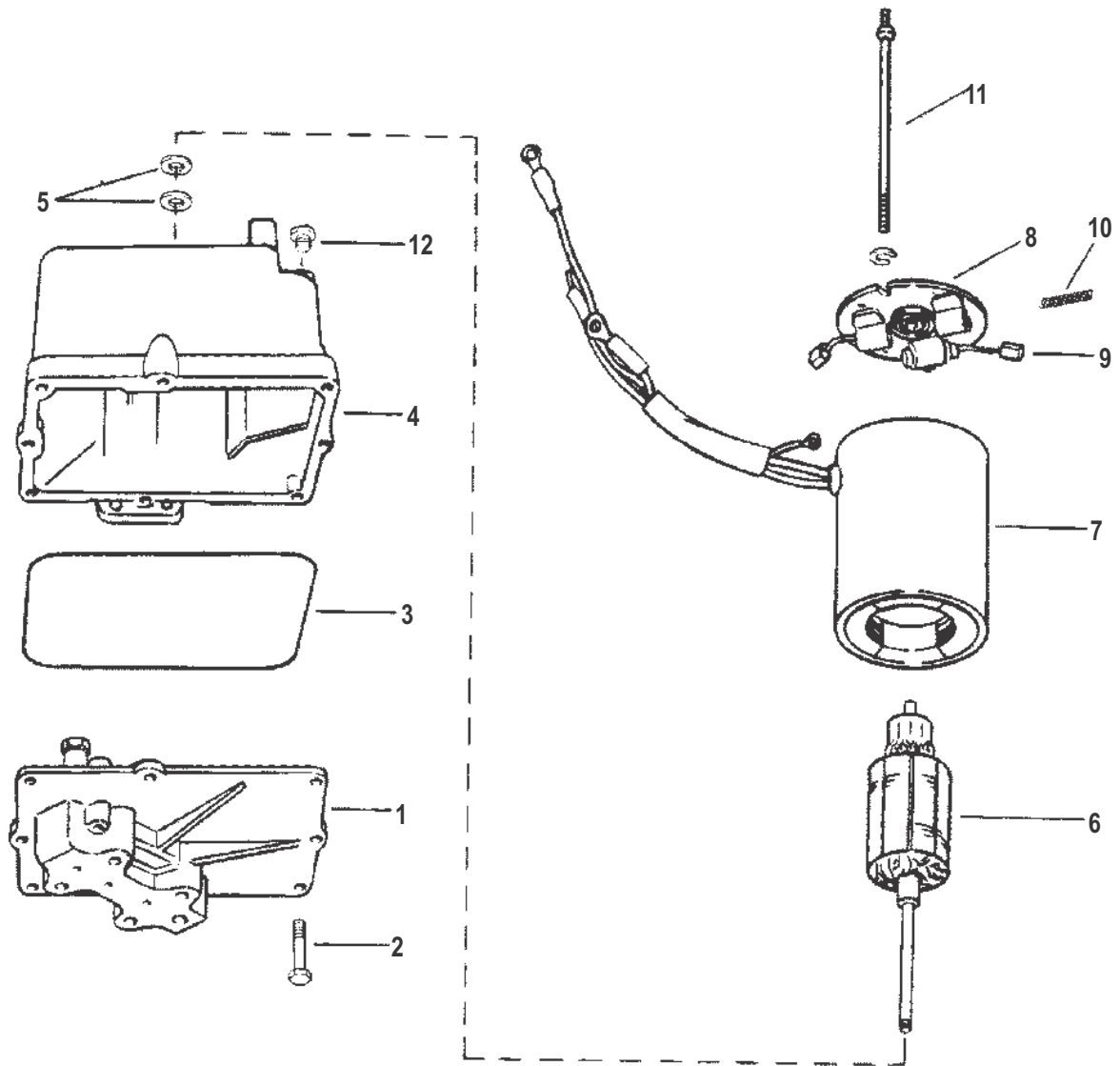


30076

**HYDRAULIC PUMP AND BRACKET PRETOLITE PUMP**

<b>Ref #</b>	<b>Part Class</b>	<b>Part Number</b>	<b>Description</b>	<b>Comments</b>	<b>Qty</b>	<b>Note</b>
28	0010	35386	SCREW (.312-18 x 1.00) HYDRAULIC PUMP TO MOUNTING BRACKET		4	
29	0013	39107	LOCKWASHER (.312-24) HYDRAULIC PUMP SCREW		4	
30	0011	21908	NUT (.312-18) Cad Plated HYDRAULIC PUMP SCREW		4	
31	0010	48409	SCREW (#10-16 x .625) Stainless Steel BOOT ATTACHING		1	

# HYDRAULIC PUMP PRESTOLITE PUMP

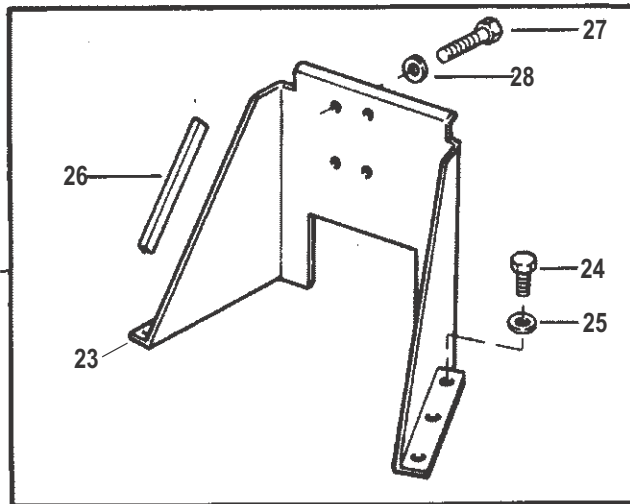
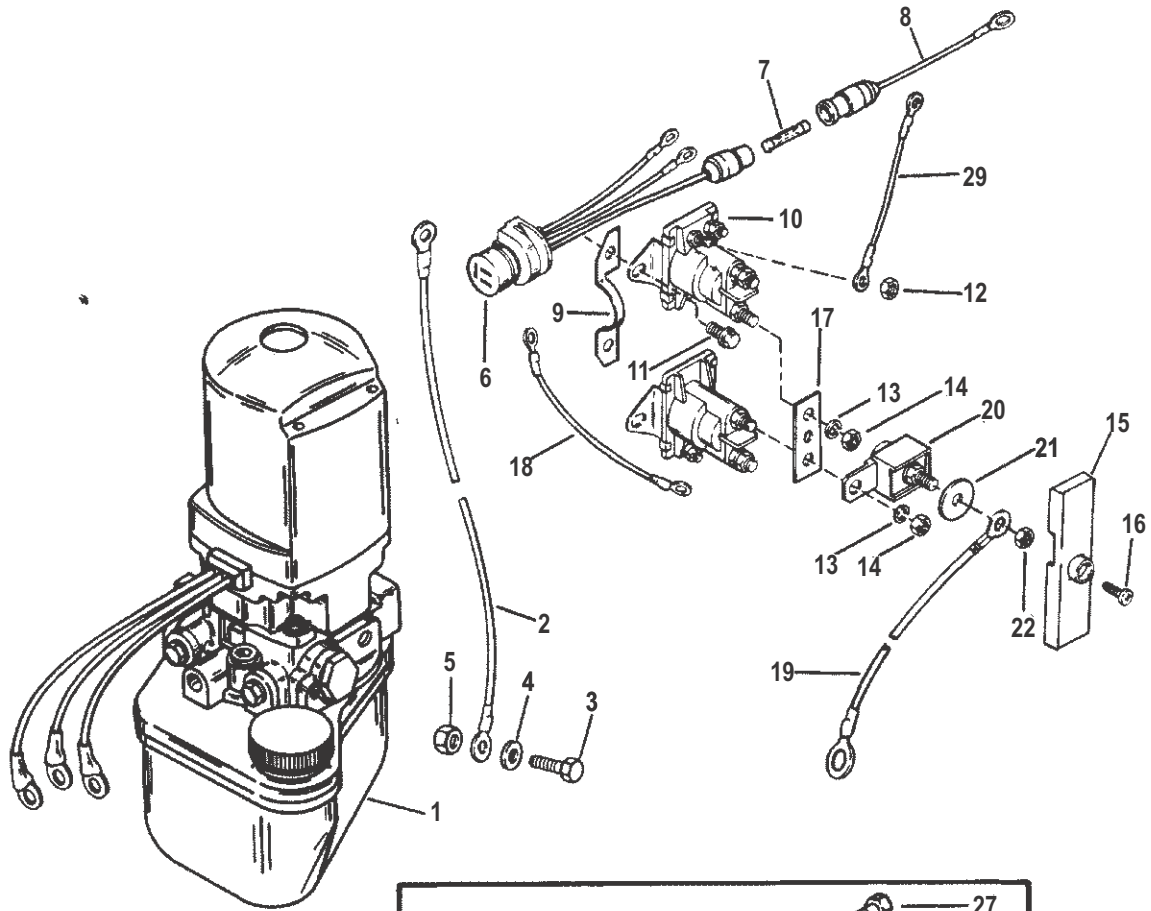


30077

## HYDRAULIC PUMP PRESTOLITE PUMP

Ref #	Part Class	Part Number	Description	Comments	Qty	Note
--	0000	14336A17	PUMP ASSEMBLY Trim		1	
1	0392	9252	VALVE BODY AND GEAR ASSEMBLY		1	
2	0010	69570	SCREW (#10-16 x .750) VALVE BODY TO RESERVOIR		8	
3	0392	7735	SEAL RESERVOIR TO VALVE BODY AND GEAR		1	
4	0392	7731	RESERVOIR ASSEMBLY (PLASTIC)		1	
5	0392	7732	WASHER THRUST - ARMATURE		1	
6	0392	9248	ARMATURE FIELD AND FRAME		1	
7	0392	9249	FIELD AND FRAME ASSEMBLY		1	
8	0392	9250	PLATE ASSEMBLY COMMUTATOR END		1	
9	0392	8989	BRUSH KIT COMMUTATOR END PLATE		1	
10	0392	8993	SPRING KIT GBRUSH TENSION		1	
11	0392	9251	BOLT SET THRU		1	
12	0392	7728	FILL PLUG RESERVOIR		1	

HYDRAULIC PUMP AND BRACKET OILDYNE PUMP/ PLASTIC RESERVOIR



30078

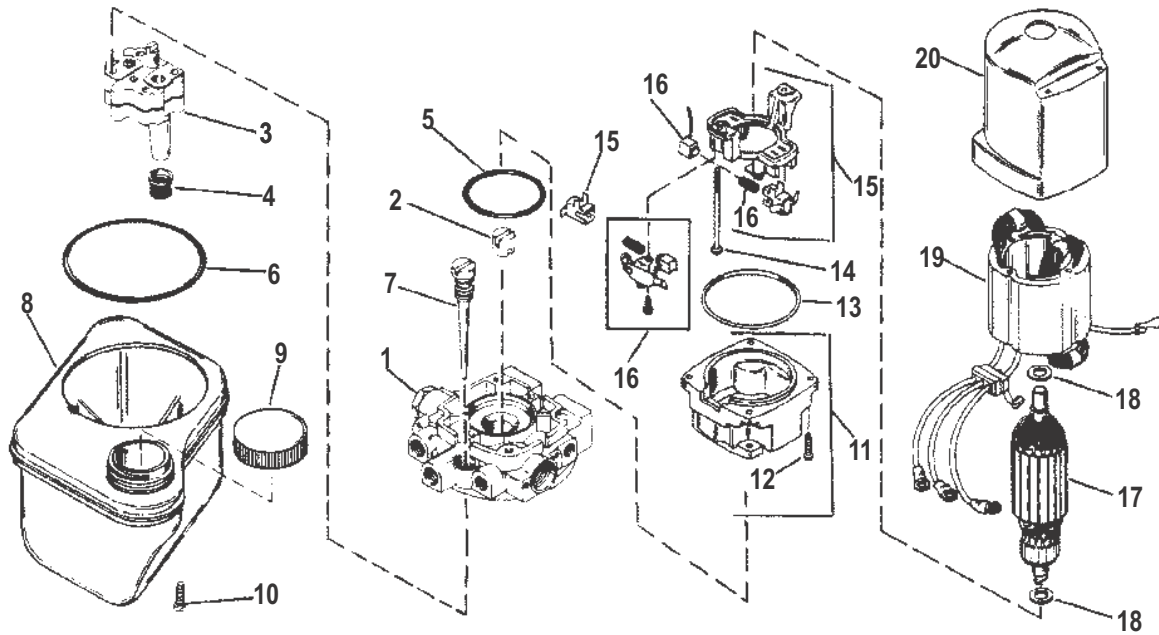
HYDRAULIC PUMP AND BRACKET OILDYNE PUMP/ PLASTIC RESERVOIR

## HYDRAULIC PUMP AND BRACKET OILDYNE PUMP/ PLASTIC RESER

Ref #	Part Class	Part Number	Description	Comments	Qty	Note
-	0000	14336A17	PUMP ASSEMBLY Trim		-	
1	0000	14336A20	PUMP/MOTOR ASSEMBLY		1	
2	0084	79138A9	CABLE ASSEMBLY (6.00 Feet) Black-Negative		1	
3	0010	90285	SCREW (.312-18 x .625) GROUND		1	
4	0012	56720	WASHER (.330 x .750 x .060) Stainless Steel GROUND SCREW		1	
5	0011	68292	NUT (.312-18) GROUND SCREW		1	
6	0084	79147A3	HARNESS ASSEMBLY HYDRAULIC PUMP		1	
7	0088	79091	FUSE 20 Ampere		1	
8	0084	95084A2	CABLE ASSEMBLY FUSE		1	
9	0000	88075	RETAINER HARNESS TO MOUNTING BRACKET		1	
10	0089	96158T	SOLENOID TRIM PUMP		2	
11	0010	41508	SCREW (.250-20 x .500) Stainless Steel STARTER SOLENOID TO BRACKET		4	
12	0011	26419	NUT (#8-32) Brass STARTER SOLENOID TERMINAL		4	
13	0013	26992	LOCKWASHER (.250) Stainless Steel STARTER SOLENOID TERMINAL		4	
14	0011	94330	NUT (.250-20) Brass STARTER SOLENOID TERMINAL		4	
15	0085	861680	INSULATOR RUBBER - STARTER SOLENOID TERMIANL		1	
16	0010	48409	SCREW (#10-16 x .625) Stainless Steel SOLENOID INSULATOR		1	
17	0000	94275	LINK SOLENOID TO SOLENOID		1	
18	0084	86322A15	CABLE ASSEMBLY (5.50 Inches) Black SOLENOID TO SOLENOID		2	
19	0084	79139A12	CABLE ASSEMBLY Red-Positive		1	
20	0088	79023A10	FUSE ASSEMBLY 110 Ampere		1	
21	0012	96457	WASHER Phenolic (.27 x .81 x .062) FUSE TERMINAL		1	
22	0011	21825	NUT (.250-28) FUSE TERMINAL		1	
23	0000	862548A1	BRACKET KIT MOUNTING - HYD. PUMP (FLOOR MOUNTED)		1	
24	0010	59784	SCREW (.250-10 x 1.00) PUMP MOUNTING BRACKET ATTACHING		6	
25	0012	29245	WASHER (.281 x .500 x .060) Stainless Steel PUMP MOUNTING BRACKET SCREW		6	
26	0000	58491	CHANNEL Rubber (4.00 Inches) PUMP MOUNTING BRACKET		2	
27	0010	35386	SCREW (.312-18 x 1.00) HYDRAULIC PUMP TO MOUNTING BRACKET		2	
28	0013	39107	LOCKWASHER (.312-24) HYDRAULIC PUMP SCREW		2	
29	0084	86322A24	CABLE ASSEMBLY (4.00 Inches) (BLACK)		1	

HYDRAULIC PUMP AND BRACKET OILDYNE PUMP/ PLASTIC RESERVOIR

# HYDRAULIC PUMP OILDYNE PUMP/ PLASTIC RESERVOIR



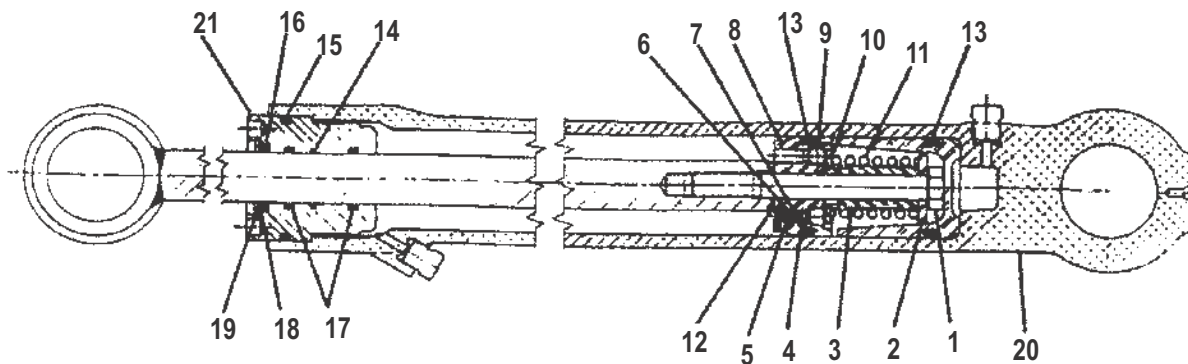
30079

## HYDRAULIC PUMP OILDYNE PUMP/ PLASTIC RESERVOIR

Ref #	Part Class	Part Number	Description	Comments	Qty	Note
--	0000	14336A20	PUMP/MOTOR ASSEMBLY		1	
1	0000	808728T	ADAPTER ASSEMBLY		1	
2	0000	803852	COUPLING		1	
3	0000	18529	PUMP ASSEMBLY (INCLUDES SCREWS)		1	
4	0035	89496	FILTER		1	
5	0025	89498	O-RING MOTOR END		1	
6	0025	17645	O-RING RESERVOIR END		1	
7	0000	41218	DIPSTICK		1	
8	0000	18525A1	RESERVOIR		1	
9	0036	861597	CAP (WITH VENT HOLE)		1	
10	0010	18527	SCREW (INCLUDES O-RING)		1	
--	0000	17649T	MOTOR ASSEMBLY HYDRAULIC PUMP		1	
11	0000	17632T	END CAP ASSEMBLY		1	
12	0010	17626	SCREW END CAP		4	
13	0025	17625	O-RING HOUSING		1	
14	0010	17621	SCREW FIELD FRAME		2	
15	0000	17633	HOLDER KIT		1	
16	0000	17631A1	BRUSH KIT		1	
17	0000	17623	ARMATURE		1	
18	0012	17653	WASHER THRUST - ARMATURE		2	
19	0000	17624	FIELD AND FRAME ASSEMBLY		1	
20	0000	17622	COVER ASSEMBLY		1	
-	0000	18545A1	REPAIR KIT		-	
-	0000	95353A1	VALVE KIT Thermal Relief		-	
-	0000	812499A1	VALVE KIT Relief		-	
-	0000	812498A1	VALVE KIT Relief		-	



# POWER TRIM CYLINDER REPAIR KITS



30080

**RESOURCE NOTES:**

**DO NOT SUBSTITUTE O-RINGS AS THESE ARE OF SPECIAL MANUFACTURED MATERIAL**

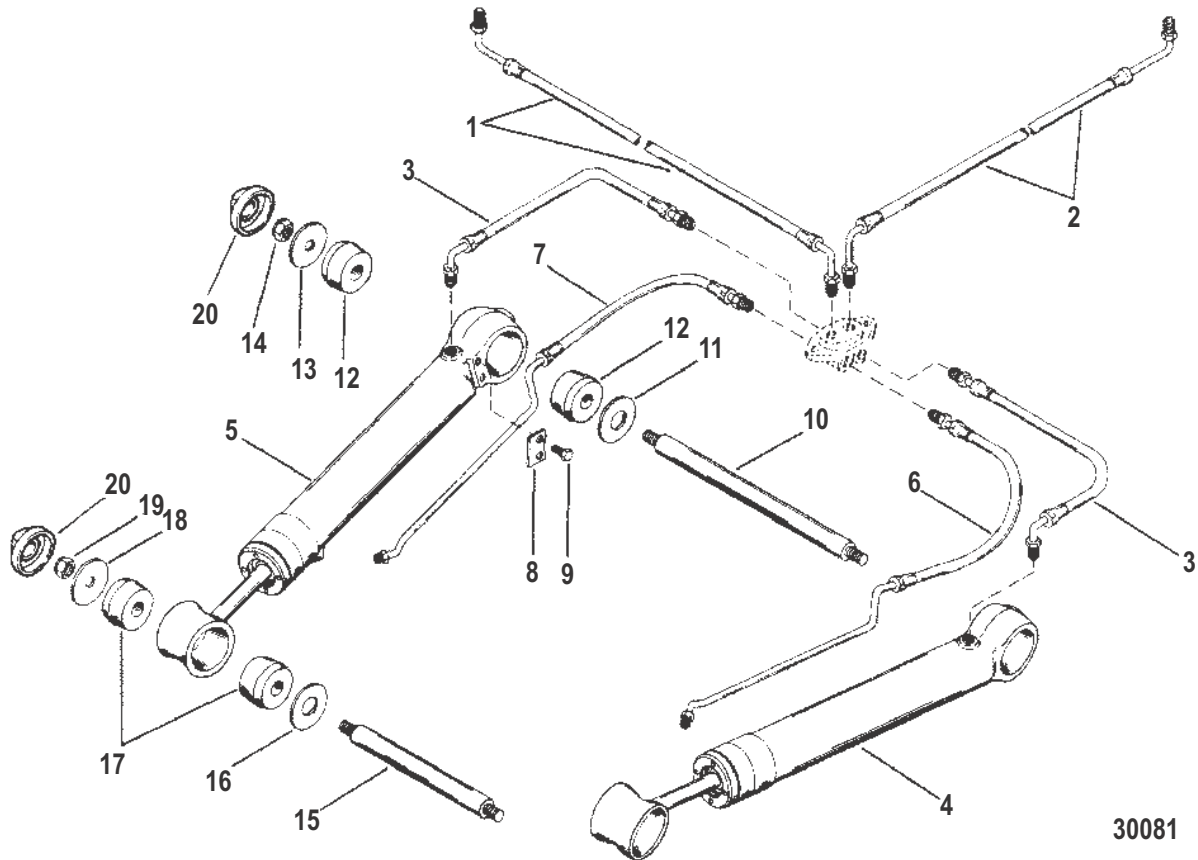
## POWER TRIM CYLINDER REPAIR KITS

Ref #	Part Class	Part Number	Description	Comments	Qty	Note
--	0000	87399A2	OVERHAUL KIT		1	
1		NSS	NOT SOLD SEPARATE (10-15 X 3-3/8 inch)		1	
2		NSS	NOT SOLD SEPARATE		1	
3		NSS	NOT SOLD SEPARATE SPRING		1	
4		NSS	NOT SOLD SEPARATE STEEL (.109 DIA.)		1	
5		NSS	NOT SOLD SEPARATE SPRING		1	
6		NSS	NOT SOLD SEPARATE COMPRESSION		1	
7		NSS	NOT SOLD SEPARATE BALL CHECK		1	
8		NSS	NOT SOLD SEPARATE SHOCK		1	
9		NSS	NOT SOLD SEPARATE STEEL (.250 DIA.)		3	
10		NSS	NOT SOLD SEPARATE STEEL BALL		1	
11		NSS	NOT SOLD SEPARATE COMPRESSION		1	
--	0025	87400A2	SEAL KIT		1	
12		NSS	NOT SOLD SEPARATE		1	
13		NSS	NOT SOLD SEPARATE		2	
14		NSS	NOT SOLD SEPARATE CONTINUITY		2	
15		NSS	NOT SOLD SEPARATE		1	
16		NSS	NOT SOLD SEPARATE		1	
17		NSS	NOT SOLD SEPARATE		2	
18		NSS	NOT SOLD SEPARATE PLAIN		1	
19		NSS	NOT SOLD SEPARATE		1	
20	0000	98703T	TUBE (PORT) - CASTING #98703		1	
20	0000	98703A10	TUBE (PORT) - CASTING #98703 1		1	
20	0000	14035A3	TRIM CYLINDER ASSEMBLY (PORT) - CASTING #14035 1 (BLACK)		1	
20	0000	98704T	TUBE (STARBOARD) - CASTING #98704		1	
20	0000	98704A10	TUBE (STARBOARD) - CASTING #98704 1		1	
20	0000	14034A3	TRIM CYLINDER ASSEMBLY (STARBOARD) - CASTING #14034 1 (BLACK)		1	
21	0000	88035	CAP (2.081 O.D.)		2	
21	0000	806191T	CAP (1.89 O.D.) (BLACK)		2	

# TRIM CYLINDERS AND HYDRAULIC HOSES

NOTE

15768A1 TRIM CYLINDER LIMIT KIT



30081

## TRIM CYLINDERS AND HYDRAULIC HOSES

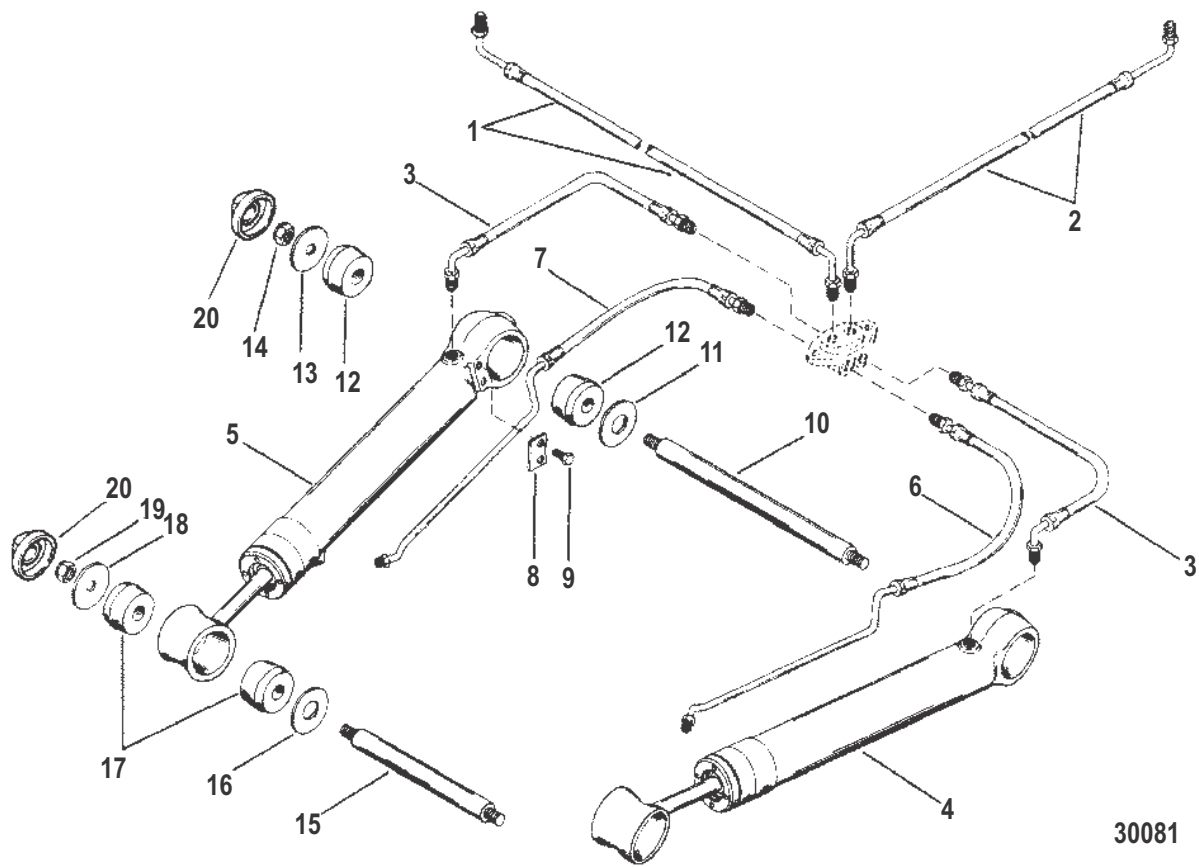
Ref #	Part Class	Part Number	Description	Comments	Qty	Note
1	0032	861127	HOSE Black HYDRAULIC - CONNECTOR TO PUMP (BLACK)		1	
2	0032	861128	HOSE Gray HYDRAULIC - CONNECTOR TO PUMP (GRAY)		1	
3	0032	99904	HOSE HYDRAULIC - TRIM CYLINDER TO CONNECTOR		2	[1]
4	0000	98704A3	TRIM CYLINDER ASSEMBLY (STARBOARD)	SEE DRIVE UNIT CHART REF.# 1-10	1	
4	0000	14034A3	TRIM CYLINDER ASSEMBLY (STARBOARD) (BLACK)	SEE DRIVE UNIT CHART REF.# 1-11	1	
5	0000	98703A3	TRIM CYLINDER (PORT)	SEE DRIVE UNIT CHART REF.# 1-11	1	
5	0000	14035A3	TRIM CYLINDER ASSEMBLY (PORT) (BLACK)	SEE DRIVE UNIT CHART REF.# 1-11	1	
--	0000	87399A2	OVERHAUL KIT TRIM CYLINDER		2	
--	0025	87400A2	SEAL KIT TRIM CYLINDER		2	
6	0032	99902	HOSE Trim Cylinder (STARBOARD)	SEE DRIVE UNIT CHART REF.# 1-11	1	
6	0032	999021	HOSE Trim Cylinder (STARBOARD)	SEE DRIVE UNIT CHART REF.# 1-11	1	
7	0032	99903	HOSE Trim Cylinder (PORT)	SEE DRIVE UNIT CHART REF.# 1-11	1	
7	0032	999031	HOSE Trim Cylinder (PORT)	SEE DRIVE UNIT CHART REF.# 1-11	1	
8	0000	85060	PLATE CLAMPING - TRIM CYLINDER HOSE		2	
9	0010	85486	SCREW (.250-20 x .380) Stainless Steel CLAMPING PLATE		4	
10	0017	14873A1	PIN ASSEMBLY FRONT ACNHOR		1	[2]
11	0012	85058	WASHER FRONT PIN		2	
12	0023	99291T	BUSHING RUBBER		4	
13	0012	85057	WASHER FRONT PIN 3/8-24 THREADS		2	
13	0012	44163	WASHER (.450 x 1.75 x .12) FRONT PIN		2	
14	0011	862903	NUT (.375-24) FRONT PIN		2	
14	0011	859116	NUT (.437-20) FRONT PIN		2	
15	0017	99207	PIN REAR ANCHOR 3/8-24 THREADS		1	
15	0017	14872A1	PIN ASSEMBLY REAR ANCHOR 7/16-20 THREADS		1	[3]
16	0012	85058	WASHER Included With 14872A 1		2	
17	0023	99291T	BUSHING RUBBER, Included With 14872A 1		4	
18	0012	85057	WASHER REAR PIN 3/8-24 THREADS		2	
18	0012	44163	WASHER (.450 x 1.75 x .12) REAR PIN, Included With 14872A 1		2	
19	0011	862903	NUT (.375-24) REAR PIN		2	
19	0011	859116	NUT (.437-20) REAR PIN, Included With 14872A 1		2	
20	0019	14842	CAP FRONT PIN		2	

## TRIM CYLINDERS AND HYDRAULIC HOSES

# TRIM CYLINDERS AND HYDRAULIC HOSES

NOTE

15768A1 TRIM CYLINDER LIMIT KIT



30081

**TRIM CYLINDERS AND HYDRAULIC HOSES**

Ref #	Part Class	Part Number	Description	Comments	Qty	Note
20	0019	14842	CAP REAR PIN, Included With 14872A 1		2	

**PART NOTES:**

- [1] - Alternate part numbers:  
99904Service Part  
99904KMPP  
99904QQS
- [2] - Alternate part numbers:  
14873Service Part  
14873A 1Kit
- [3] - Alternate part numbers:  
14872Service Part  
14872A 1Kit



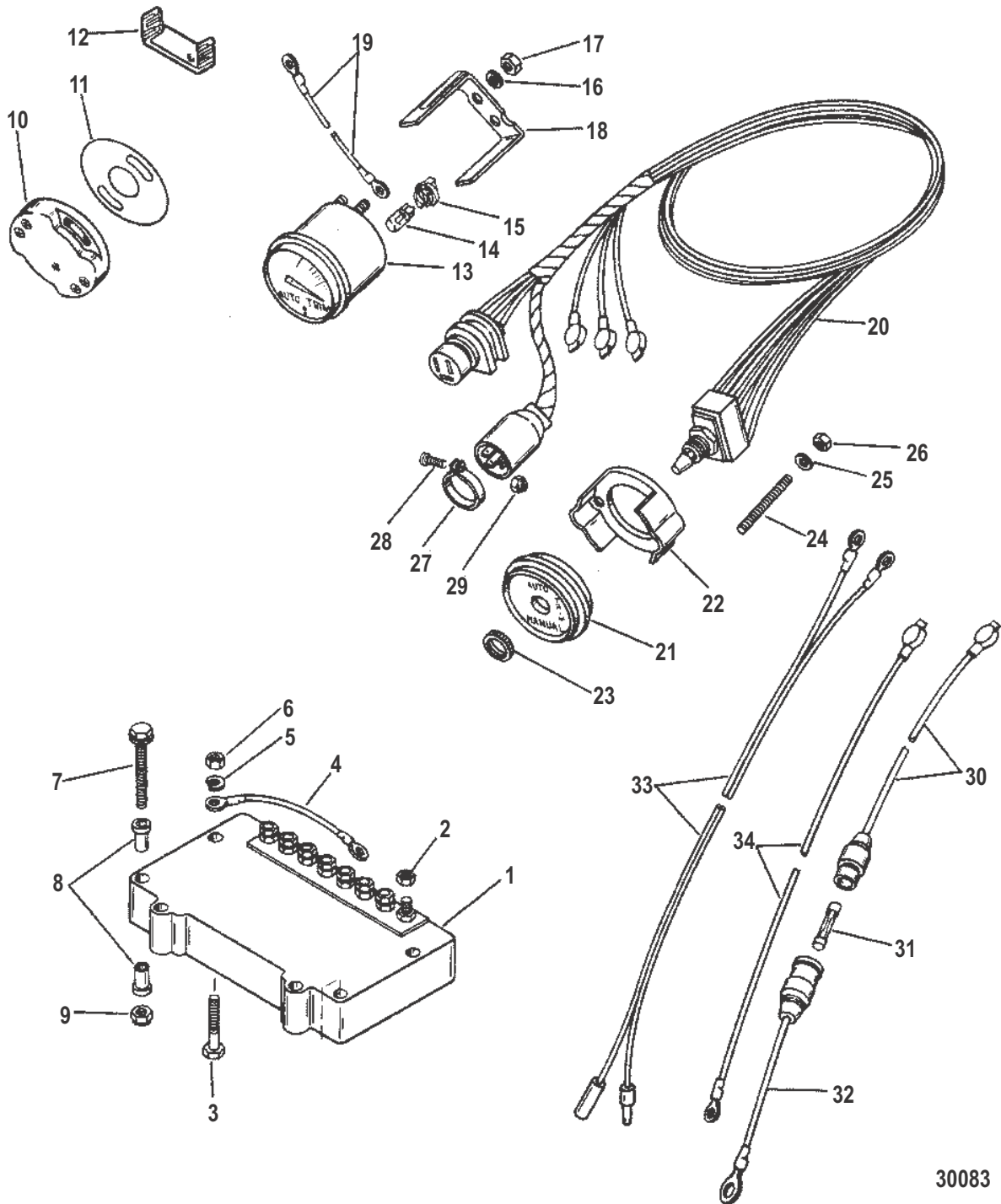
## POWER STEERING COMPONENTS

Ref #	Part Class	Part Number	Description	Comments	Qty	Note
1	0000	57969A12	CYLINDER ASSEMBLY Booster (25-58224A1 SEAL REPAIR KIT)		1	
2	0032	92054	TUBE EXTENDING		1	
3	0032	92055	TUBE RETRACTING		1	
4	0000	94953A1	BRACKET ASSEMBLY ADAPTOR		1	
5	0017	99938	PIN BOOSTER CYLINDER (EARLY STYLE)		2	
6	0018	36377	COTTER PIN RETAINING PIN (EARLY STYLE)		3	
7	0010	42253	BOLT BOOSTER CYLINDER (LATER STYLE)		2	
8	0014	42254	WASHER PIVOT BOLT (LATER STYLE)		2	
9	0023	88282	SLEEVE ADAPTOR BRACKET		1	
10	0000	816458A1	VALVE ASSEMBLY POWER STEERING (25-58226A1 SEAL REPAIR KIT)		1	
11	0000	88280	ADAPTER BOOSTER VALVE		1	
12	0010	37612	SCREW (.375-16 x 1.250) CLAMPING		1	
13	0013	35048	LOCKWASHER (.375) CLAMPING SCREW		1	
14	0022	67305	FITTING Grease		1	
15	0010	88281	SCREW (.500-20 x 1.750) ADAPTOR		1	
16	0012	20959	WASHER ADAPTOR SCREW		1	
17	0000	88285	ADAPTER STEERING TUBE		1	
18	0013	76629	LOCKWASHER Internal Tooth (.750) STEERING TUBE ADAPTOR		1	
19	0011	55111	NUT STEERIN TUBE ADAPTOR		1	
20	0000	96511	TUBE ASSEMBLY STEERING		1	
21	0000	88287	GUIDE STEERING TUBE		1	
22	0011	32882	NUT (.875-14) STEERING TUBE		1	
23	0000	95848A1	CLEVIS ASSEMBLY ROD END		1	
24	0012	20086	WASHER (.390 x .620 x .060) ROD END		1	
25	0011	69254	NUT ROD END		1	
26	0023	95803	BUSHING PIVOT		2	
27	0017	88283	PIN Retaining		2	
28	0023	88286	BUSHING STEERING TUBE		1	
29	0000	92766	LOCK COUPLER NUT		1	
30	0010	41209	SCREW COUPLER NUT LOCK		1	
31	0017	89229	PIN Clevis		1	
32	0017	52798	PIN Clevis		1	
33	0018	46950	COTTER PIN		2	
34	0012	35462	WASHER (.2656 x .625 x .0625) Stainless Steel COUPLER NUT LOCK SCREW		1	
35	0018	34212	COTTER PIN SLEEVE		1	

## POWER STEERING COMPONENTS



# AUTO TRIM COMPONENTS



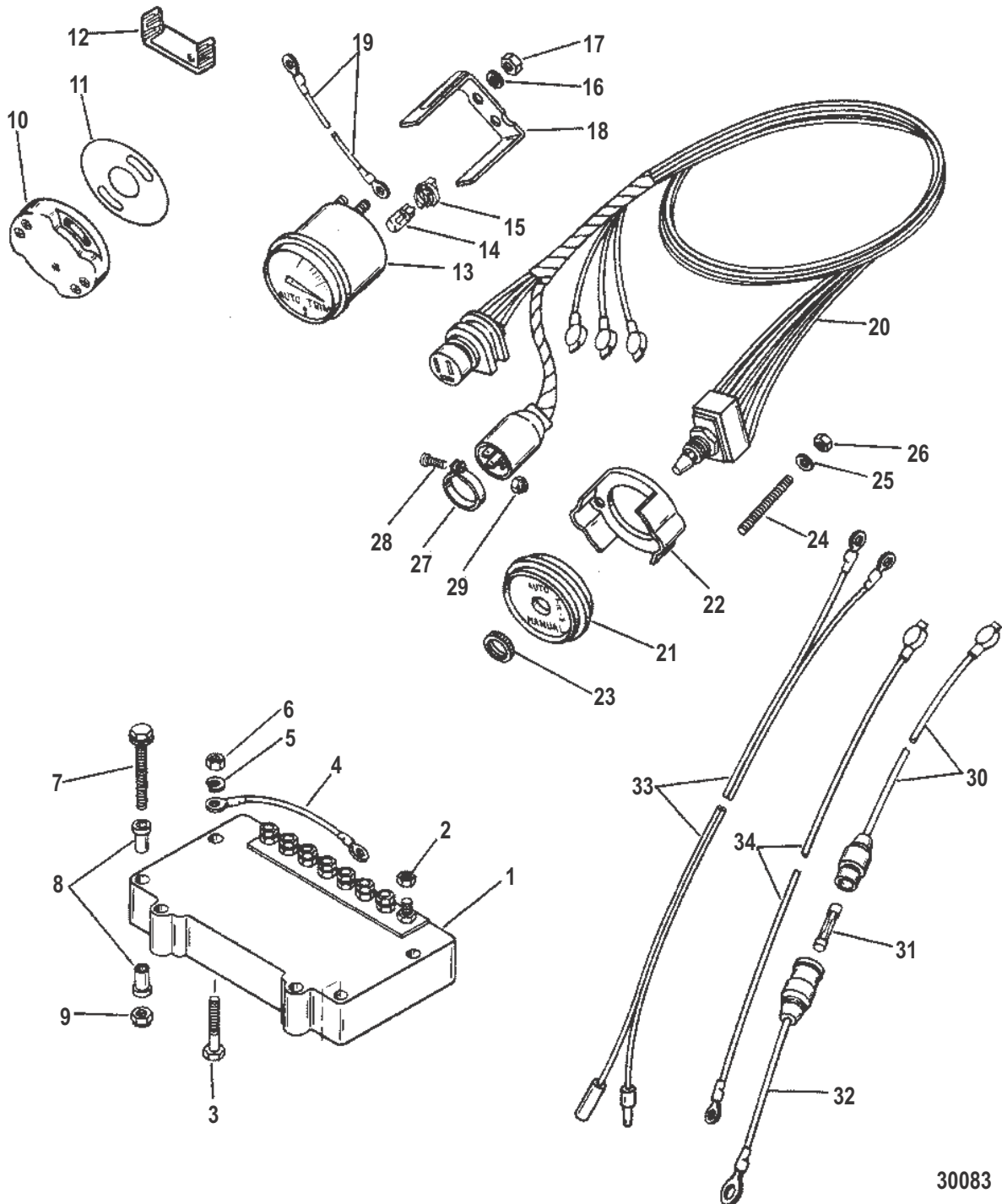
30083

# AUTO TRIM COMPONENTS

Ref #	Part Class	Part Number	Description	Comments	Qty	Note
1	0000	93732A6	TRIM ASSEMBLY Auto		1	
2	0011	45076	NUT (#10-32) Brass AUTO TRIM TERMINAL		8	
3	0010	69067	SCREW (.250-20 x 1.375) BLACK WIRE TO AUTO TRIM		1	
4	0084	86322A22	CABLE ASSEMBLY (BLACK)		1	
5	0013	78968	LOCKWASHER Internal (.250) WIRE SCREW		1	
6	0011	64015	NUT (.250-20) WIRE SCREW		1	
7	0010	76502	SCREW (.190-32 x 1.880) AUTO TRIM TO BRACKET		3	
8	0023	42574	BUSHING AUTO TRIM SCREW		6	
9	0011	20190	NUT (#10-32) AUTO TRIM SCREW		3	
10	0000	805320A2	SENDER ASSEMBLY Trim		1	
11	0085	63990	INSULATOR TRIM SENDER		1	
12	0000	79146	RETAINER		2	
13	0079	99535A2	GAUGE ASSEMBLY AUTO TRIM		1	
14	0088	72729	LIGHT BULB Wedge Base (14V - 1.9W)		1	
15	0088	79888	SOCKET Light Bulb		1	
16	0012	26427	WASHER GAUGE TERMINAL		2	
17	0011	26419	NUT (#8-32) Brass GAUGE TERMINAL		5	
18	0000	79480	BRACKET		2	
19	0084	86322A3	CABLE ASSEMBLY (2.00 Feet) Black		1	
19	0084	86323A2	CABLE ASSEMBLY (2.00 Feet) Purple		1	
20	0084	88456A3	HARNESS ASSEMBLY AUTO TRIM		1	
21	0000	85218A3	PLATE ASSEMBLY SWITCH MOUNTING		1	
22	0000	76424	BRACKET SWITCH MOUNTING		1	
23	0000	49440	NUT (.468-32) AUTO TRIM SWITCH		1	
24	0016	55422	STUD (#10-32 x 2.00) PLATE MOUNTING		2	
25	0012	24676	WASHER (.200 x .440 x .032) PLATE STUD		2	
26	0011	68219	NUT (#10-32) Stainless Steel PLATE STUD		2	
27	0000	95814	STRAP WIRING HARNESS CONNECTOR		1	
28	0010	29227	SCREW (#8-32 x 0.50) WIRING HARNESS CLAMP		1	
29	0011	34388	NUT CLAMP SCREW		1	
30	0084	95084A9	CABLE ASSEMBLY (91.00 Inches) Red/Purple Strip FUSE		1	
31	0088	79091	FUSE 20 Ampere		1	
32	0084	95084A10	CABLE ASSEMBLY (5.00 Inches) Red FUSE		1	

## AUTO TRIM COMPONENTS

# AUTO TRIM COMPONENTS



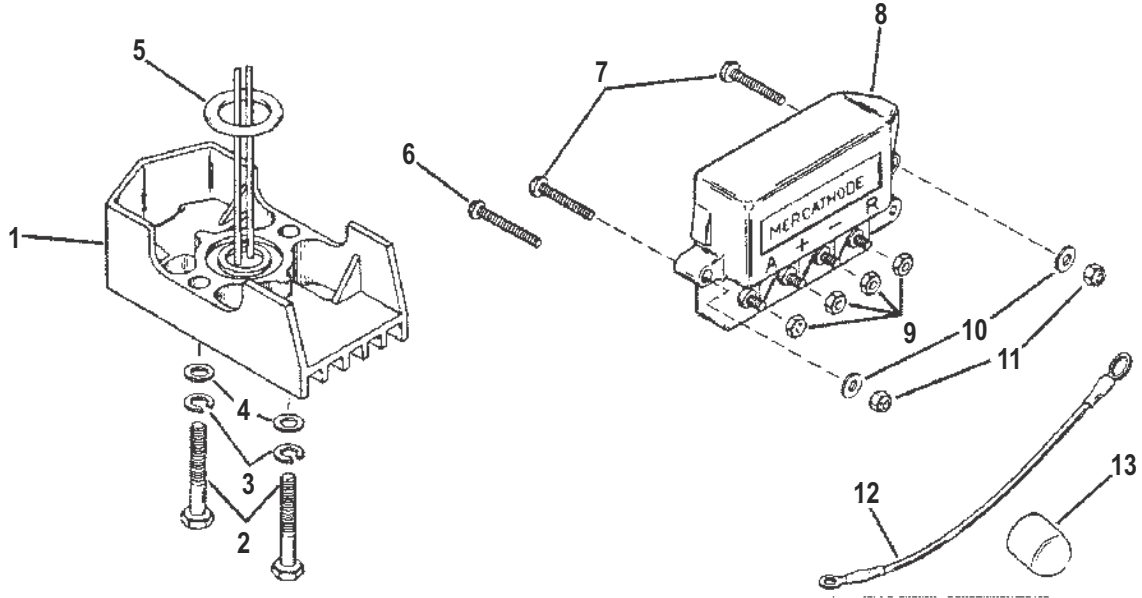
30083

**Cat.# 90-99964**

## **AUTO TRIM COMPONENTS**

<b>Ref #</b>	<b>Part Class</b>	<b>Part Number</b>	<b>Description</b>	<b>Comments</b>	<b>Qty</b>	<b>Note</b>
33	0084	88974A1	WIRE ASSEMBLY (BLACK)		1	
34	0084	86322A6	CABLE ASSEMBLY (BLACK)		1	

# MERCATHODE KIT
















30084

## MERCATHODE KIT

Ref #	Part Class	Part Number	Description	Comments	Qty	Note
1	0000	98869A11	ELECTRODE ASSEMBLY (BLACK)		1	
1	0000	98869A14	MERCATHODE SYSTEM (OYSTER)		1	
2	0010	69067	SCREW (.250-20 x 1.375) ELECTRODE		2	
3	0013	26992	LOCKWASHER (.250) Stainless Steel ELECTRODE SCREW		2	
4	0012	29245	WASHER (.281 x .500 x .060) Stainless Steel ELECTRODE SCREW		2	
5	0025	88388	O-RING		1	
6	0010	72202	SCREW (#10-32 x 1.25)		1	
7	0010	24637	SCREW (#10-32 x .875)		2	
8	0000	42600A3	CONTROLLER ASSEMBLY		1	
9	0011	68219	NUT (#10-32) Stainless Steel		4	
10	0012	21273	WASHER		2	
11	0011	46438	NUT (#10-32)		2	
12	0084	88543A3	CABLE ASSEMBLY		1	
13	0000	44574	CAP		1	

# CONTINUITY KIT

NOTE					
All component parts of the Continuity Kit are not sold separately. Order 99940A1					
COMPONENTS					
Cable Assembly	Cable Assembly	Ground Plate	Hex Head Screw	Lockwasher	Self-Tapping Screw
					
					
					
					
					

30085

**Cat.# 90-99964**

## CONTINUITY KIT

Ref #	Part Class	Part Number	Description	Comments	Qty	Note
-	0000	99940A1	CONTINUITY KIT	(Componet parts of Continuity Kit not sold separately)	1	

---

CONTINUITY KIT



# PARTS INDEX

Part No.	Description	Pg.	Ref.no	Part No.	Description	Pg.	Ref.no
00013007	GIMBAL HOUSING ASSEMBLY COMPLETE (BLACK)	6	-	00013007	GIMBAL HOUSING ASSEMBLY COMPLETE (BLACK)	8	6
01301017	DRIVESHAFT AND GEAR HOUSING ASSEMBLY Complete	6	-	01471017	DRIVESHAFT AND GEAR HOUSING ASSEMBLY Complete	6	-
01622017	DRIVESHAFT AND GEAR HOUSING ASSEMBLY Complete	6	-	01811017	DRIVESHAFT AND GEAR HOUSING ASSEMBLY Complete	6	-
01941017	DRIVESHAFT AND GEAR HOUSING ASSEMBLY Complete	6	-	11005A1	PLUG ASSEMBLY Valve	84	-
12077	SEAL	22	41	12224	SEAL Fish Line Cutting (OUTSIDE) CUTTER SEAL	62	75
12224	SEAL Fish Line Cutting (OUTSIDE)	76	81	129342	SERVICE MANUAL	2	-
13171	THRUST HUB (FOR USE W/ BLACK MAX PROPELLERS)	76	85	13436	NUT (5/16-24)	58	40
13436	NUT WATER PUMP STUDS (5/16-24)	70	40	13438	NUT (.250-28) HYDRAULIC CONNECTOR STUD	22	37
13438	NUT (.250-28)	56	38	13438	NUT (.250-28) WATER PUMP STUD	70	38
134391	NUT (.4375-20) DRIVE SHAFT HOUSING STUD	76	92	13682A90	DECAL SET (BLACK)	38	7
13682A90	DECAL SET (COUNTER ROTATION)	38	7	13722A10	DECAL SET (350/454 MAGNUM)	38	9
13722A11	DECAL SET Engine Model (120/2.5L/140/3.0L/165/170/180/190)	38	9	13722A12	DECAL SET (175/185/205/200/230/260)	38	9
13722A13	DECAL SET Engine Model (3.7L/3.7L-LX/4.3L/4.3L-LX/5.0L/5.0L-LX/5.7L)	38	9	14034A3	TRIM CYLINDER ASSEMBLY (STBD)	8	8
14034A3	TRIM CYLINDER ASSEMBLY (STARBOARD) - CASTING #14034 1 (BLACK)	96	20	14034A3	TRIM CYLINDER ASSEMBLY (STARBOARD) (BLACK)	98	4
14035A3	TRIM CYLINDER ASSEMBLY (PORT)	8	9	14035A3	TRIM CYLINDER ASSEMBLY (PORT) - CASTING #14035 1 (BLACK)	96	20
14035A3	TRIM CYLINDER ASSEMBLY (PORT) (BLACK)	98	5	14077	SEAL Oil (INSIDE) CUTTER SEAL	62	75
14077	SEAL Oil (INSIDE)	76	80	14336A17	PUMP ASSEMBLY Trim	80	-
14336A17	PUMP ASSEMBLY Trim (PLASTIC RESERVOIR)	86	1	14336A17	PUMP ASSEMBLY Trim	90	--
14336A17	PUMP ASSEMBLY Trim	92	-	14336A20	PUMP/MOTOR ASSEMBLY	80	1
14336A20	PUMP/MOTOR ASSEMBLY	84	--	14336A20	PUMP/MOTOR ASSEMBLY	92	1
14336A20	PUMP/MOTOR ASSEMBLY	94	--	14587A5	CARRIER ASSEMBLY Bearing	76	78
14705	INSERT NYLON - SHIFT CABLE	12	29	14842	CAP FRONT PIN	98	20
14842	CAP REAR PIN, Included With 14872A 1	100	20	14872A1	PIN ASSEMBLY REAR ANCHOR 7/16-20 THREADS	98	15
14873A1	PIN ASSEMBLY FRONT ACNHOR	98	10	15841	BEARING Roller	74	67
15842	BEARING Thrust	76	75	16416A87	DECAL (320/320 EFI)	38	9
16977	SEAL Oil WATER PUMP	42	26	16977	SEAL Oil	56	28
16977	SEAL Oil WATER PUMP	68	27	16977	SEAL Oil WATER PUMP	68	28
1761514	SPACER SHIM (.206)	74	69	1761515	SPACER SHIM (.208)	74	69
1761516	SPACER SHIM (.210)	74	69	1761517	SPACER SHIM (.212)	74	69
1761518	SPACER SHIM (.214)	74	69	1761519	SPACER SHIM (.216)	74	69
1761520	SPACER SHIM (.218)	74	69	1761521	SPACER SHIM (.220)	74	69
1761522	SPACER SHIM (.222)	74	69	1761523	SPACER SHIM (.224)	74	69
1761525	SPACER SHIM (.228)	74	69	1761526	SPACER SHIM (.230)	74	69
1761526	SPACER SHIM (.230)	74	69	17616	THRUST RING	74	70
17621	SCREW FIELD FRAME	94	14	17622	COVER ASSEMBLY	94	20
17623	ARMATURE	94	17	17624	FIELD AND FRAME ASSEMBLY	94	19
17625	O-RING HOUSING	94	13	17626	SCREW END CAP	94	12
17631A1	BRUSH KIT	94	16	17632T	END CAP ASSEMBLY	94	11
17633	HOLDER KIT	94	15	17645	O-RING RESERVOIR END	94	6
17649A1	MOTOR HYDRAULIC PUMP	84	--	17649T	MOTOR ASSEMBLY HYDRAULIC PUMP	94	--
17653	WASHER THRUST - ARMATURE	94	18	17906A88	DECAL SET (OYSTER)	38	7
18323	TAB WASHER (USE WITH 73020C1 CARRIER)	62	77	18323	TAB WASHER GEAR HOUSING COVER	76	82
18411A2	GEAR KIT (Component of Gear Repair Kit 803116T 1)	34	25	18411A4	GEAR KIT With Bearings And Shims (Replaces Heavy Duty Kit)	36	25
18448	THRUST WASHER	76	74	18525A1	RESERVOIR	94	8
18527	SCREW (INCLUDES O-RING)	94	10	18529	PUMP ASSEMBLY (INCLUDES SCREWS)	94	3
18545A1	REPAIR KIT	94	-	18654A1	BELLOWS ASSEMBLY EXHAUST	30	17
191832	WASHER	34	9	191832	WASHER FILL/DRAIN SCREW	44	52
191832	WASHER	56	23	191832	WASHER FILL/DRAIN SCREW	68	23
19216	HARNES ASSEMBLY DUMMY SENDER (STARBOARD)	26	10	19543A8	CABLE ASSEMBLY Shift	10	23
19543T1	CABLE KIT Shift	12	-	19543T1	CABLE KIT Shift	16	-
19543T1	CABLE KIT Shift	22	-	19543T1	CABLE KIT Shift	32	-
19543T1	CABLE KIT Shift	36	-	19755A2	SHIFT SPOOL KIT	74	54
20086	WASHER (.390 x .620 x .060) ROD END	102	24	20190	NUT (#10-32) AUTO TRIM SCREW	104	9

# PARTS INDEX

Part No.	Description	Pg.	Ref.no	Part No.	Description	Pg.	Ref.no
20518	SET SCREW (#8-32) ANCHOR	10	27	20959	WASHER ADAPTOR SCREW	102	16
21145	BEARING Roller GIMBAL HOUSING (UPPER)	14	5	21273	WASHER	108	10
21825	NUT (.250-28) FUSE TERMINAL	80	29	21825	NUT (.250-28) FUSE TERMINAL	86	23
21825	NUT (.250-28) FUSE TERMINAL	92	22	21900	WASHER GIMBAL HOUSING BOLT	10	16
21908	NUT (.312-18) Cad Plated HYDRAULIC PUMP SCREW	88	30	22339	NUT (.625-18)	36	28
24637	SCREW (#10-32 x .875)	108	7	24656	NUT MOUNTING BRACKET TO HYDRAULIC PUMP THRU BOLT	86	9
24676	WASHER (.200 x .440 x .032) PLATE STUD	104	25	25439	O-RING (.862 x .103) SHIFT SHAFT BUSHING	44	46
25439	O-RING (.862 x .103)	58	48	25439	O-RING (.862 x .103) SHIFT SHAFT BUSHING	70	48
26419	NUT (#8-32) Brass STARTER SOLENOID TERMINAL	80	19	26419	NUT (#8-32) Brass SOLENOID TERMINAL	86	12
26419	NUT (#8-32) Brass STARTER SOLENOID TERMINAL	92	12	26419	NUT (#8-32) Brass GAUGE TERMINAL	104	17
26427	WASHER GAUGE TERMINAL	104	16	26992	LOCKWASHER (.250) Stainless Steel STARTER SOLENOID TERMINAL	80	20
26992	LOCKWASHER (.250) Stainless Steel MOUNTING BRACKET SCREW	86	7	26992	LOCKWASHER (.250) Stainless Steel SOLENOID TERMINAL	86	13
26992	LOCKWASHER (.250) Stainless Steel FUSE TERMINAL	86	22	26992	LOCKWASHER (.250) Stainless Steel STARTER SOLENOID TERMINAL	92	13
26992	LOCKWASHER (.250) Stainless Steel ELECTRODE SCREW	108	3	26995	LOCKWASHER (#8) Stainless Steel STARTER SOLENOID TERMINAL	80	18
26995	LOCKWASHER (#8) Stainless Steel SOLENOID TERMINAL	86	11	26996	LOCKWASHER (#10) Stainless Steel SWITCH AND SENDER SCREW	26	14
27880	WASHER LOWER SHIFT SHAFT AND CRANK	44	45	27880	WASHER	58	47
27880	WASHER LOWER SHIFT SHAFT AND CRANK	70	47	28055	BUSHING RUBBER - WATER TUBE (5/8 inch I.D. WATER TUBE)	14	28
28055	BUSHING RUBBER - WATER TUBE (5/8 inch I.D. WATER TUBE)	20	27	28635	SCREW (.250-20 x .620) Stainless Steel COVER TO GIMBAL HOUSING	16	30
28635	SCREW (.250-20 x .620) Stainless Steel COVER TO GIMBAL HOUSING	16	40	28635	SCREW (.250-20 x .620) Stainless Steel COVER TO GIMBAL HOUSING	22	29
28635	SCREW (.250-20 x .620) Stainless Steel COVER TO GIMBAL HOUSING	22	39	28636	SCREW (.250-20 x .750) CONNECTOR COVER	16	35
28636	SCREW (.250-20 x .750) CONNECTOR COVER	22	34	28668	SCREW (.250-20 x .875) Stainless Steel WATER POCKET COVER TO DRIVE SHAFT HOUSING	38	5
29227	SCREW (#8-32 x 0.50) WIRING HARNESS CLAMP	104	28	29245	WASHER (.281 x .500 x .060) Stainless Steel WATER PUMP STUD	44	40
29245	WASHER (.281 x .500 x .060) Stainless Steel	58	39	29245	WASHER (.281 x .500 x .060) Stainless Steel WATER PUMP STUD	70	39
29245	WASHER (.281 x .500 x .060) Stainless Steel PUMP MOUNTING BRACKET SCREW	82	33	29245	WASHER (.281 x .500 x .060) Stainless Steel PUMP MOUNTING BRACKET SCREW	86	26
29245	WASHER (.281 x .500 x .060) Stainless Steel PUMP MOUNTING BRACKET SCREW	92	25	29245	WASHER (.281 x .500 x .060) Stainless Steel ELECTRODE SCREW	108	4
29395	WASHER (.390 x 1.00 x .06) (OPTIONAL)	36	30	29395	WASHER (.390 x 1.00 x .06) SHIFT SHAFT	44	50
29395	WASHER (.390 x 1.00 x .06)	58	52	29395	WASHER (.390 x 1.00 x .06) SHIFT SHAFT	70	52
29488	NUT (#10-32) MOUNTING BRACKET TO HYDRAULIC PUMP	80	5	29641	E RING SHIFT SHAFT	44	44
29641	E RING	58	46	29641	E RING SHIFT SHAFT	70	46
29804T	SLEEVE GUIDE - WATER INLET TUBE	44	42	29804T	SLEEVE GUIDE	58	44
29804T	SLEEVE GUIDE - WATER INLET TUBE	70	44	29845	O-RING (.924 x .103)	34	15
30206	SCREW (.375-16 x 1.00) Stainless Steel GEAR HOUSING TO DRIVE SHAFT HOUSING	52	86	30206	SCREW (.375-16 x 1.00) Stainless Steel	64	85
30206	SCREW (.375-16 x 1.00) Stainless Steel GEAR HOUSING TO DRIVE SHAFT HOUSING	76	91	30271	RING Rubber DRIVESHAFT	44	41
30271	RING Rubber	58	42	30271	RING Rubber DRIVE SHAFT	70	42
30281	KEY LOCATING - BEARING CARRIER	50	77	30281	KEY	62	76
30545	PIN DRIVESHAFT	42	15	30613	O-RING UPPER - DRIVESHAFT	42	17
30613	O-RING UPPER	58	43	30613	O-RING UPPER - DRIVE SHAFT	70	43
30617A2	BUSHING ASSEMBLY SHIFT SHAFT	44	47	30617A2	BUSHING ASSEMBLY	58	49
30617A2	BUSHING ASSEMBLY SHIFT SHAFT	70	49	30632	PIN Cross CLUTCH TO PROPELLER CHAFT	50	66
30632	PIN Cross	62	66	30632	PIN Cross CLUTCH TO PROPELLER SHAFT	74	63
30720	SCREW (.250-20 x 2.25) WATER PUMP TO GEAR HOUSING	44	36	30893	SPRING RETAINER - CROSS PIN	50	67
30893	SPRING	62	67	30893	SPRING REATINER - CROSS PIN	74	64
30895T	BEARING Needle FORWARD GEAR	50	63	30895T	BEARING Needle (TORRINGTON #B-1616)	62	64
30956	BEARING Needle BEARING CARRIER	76	79	30956T	BEARING Needle BEARING CARRIER	50	75
30956T	BEARING Needle	62	74	31210	TAB WASHER PROPELLER NUT	76	87
31211A2	WASHER Splined PROPELLER SHAFT	76	86	31211A3	WASHER PLINED - PROPELLER SHAFT	52	81
31211A3	WASHER SPLINED	64	80	31266	WASHER RUBBER - SHIFT SHAFT BUSHING	44	49

# PARTS INDEX

Part No.	Description	Pg.	Ref.no	Part No.	Description	Pg.	Ref.no
31266	WASHER RUBBER	58	51	31266	WASHER RUBBER - SHIFT SHAFT BUSHING	70	51
31534	O-RING BEARING CARRIER	50	73	31534	O-RING	62	72
31534	O-RING BEARING CARRIER	74	71	31640A1	TRIM TAB ASSEMBLY GEAR HOUSING (2-3/8 inch)	76	89
31640Q4	TRIM TAB GEAR HOUSING (2-3/8 inch)	52	84	31640Q4	TRIM TAB (2-3/8 inch)	64	83
31700	SCREW (.250-28 x .750) SHIFT CABLE	10	24	32435	FACE PLATE	42	29
32435	FACE PLATE	56	31	32435	FACE PLATE	70	31
32461	HOSE WATER - 5/8 Inch Inside Diameter	30	15	32470	SCREW (.437-14 x 1.75) TRIM TAB TO GEAR HOUSING	52	85
32470	SCREW (.437-14 x 1.75)	64	84	32470	SCREW (.437-14 x 1.75) TRIM TAB TO GEAR HOUSING	76	90
32511	SEAL Oil GEAR CHAMBER - DRIVE SHAFT HOUSING	38	11	32511A1	SEAL KIT	36	-
32511A1	SEAL KIT	38	-	32511A1	SEAL KIT	44	-
32511A1	SEAL KIT	58	-	32511A1	SEAL KIT	70	-
32517	COVER WATER TUBE (5/8 inch I.D. WATER TUBE)	16	29	32517	COVER WATER TUBE (5/8 inch I.D. WATER TUBE)	22	28
32518	WASHER LOWER SWIVEL PIN	14	17	32518	WASHER LOWER SWIVEL PIN	20	16
32536	BEARING GIMBAL HOUSING (LOWER)	14	3	32538	BEARING GIMBAL RING (OLD DESIGN)	26	2
32541	SEAL Oil GIMBAL RING (OLD DESIGN)	26	3	32546	O-RING TOP COVER SEALING	38	18
32563A1	SHIM SET BEARING CUP TO TOP COVER	38	17	32573A1	BEARING ASSEMBLY Roller (TIMKEN CONE #24780/CUP #24720)	36	26
32575T1	BEARING ASSEMBLY DRIVE SHAFT	38	16	32620	WASHER GIMBAL HOUSING BOLT	14	21
32620	WASHER GIMBAL HOUSING BOLT	20	20	32632	BUSHING	34	5
32652	WELCH PLUG (7/8 inch O.D.)	34	4	32665	COTTER PIN INTERMEDIATE SHIFT SHAFT	30	21
32666	WASHER INTERMEDIATE SHIFT SHAFT	30	22	32834	WASHER (.9375 x 1.750 x .172) TRANSOM PLATE SCREW (EARLY MODELS)	10	13
32882	NUT (.875-14) STEERING TUBE	102	22	32911	SEAL Oil LOWER GIMBAL HOUSING BEARING	14	4
32993	LOCKWASHER (.437) TRANSOM PLATE SCREW	10	8	32997	WASHER (SPLINED SWIVEL SHAFT)	26	21
33066	CONNECTOR (.500-14) Straight - Brass	30	3	33144A2	SEAL KIT	44	-
33144A2	SEAL KIT	52	-	33144A2	SEAL KIT	58	-
33144A2	SEAL KIT	64	-	33144A2	SEAL KIT	70	-
33145	O-RING (1.984 x .139) WATER PUMP	42	23	33504	O-RING BELL HOUSING	30	6
33734	LOCKWASHER (.500) TRANSOM PLATE SCREW	10	14	34087	NUT GIMBAL HOUSING BOLT	10	17
34127A1	TRIM TAB ASSEMBLY GEAR HOUSING (4 inch)	76	89	34127T2	TRIM TAB ASSEMBLY GEAR HOUSING (4 inch)	52	84
34127T2	TRIM TAB ASSEMBLY (4 inch)	64	83	34212	COTTER PIN LOWER SWIVEL PIN	14	16
34212	COTTER PIN LOWER SWIVEL PIN	20	15	34212	COTTER PIN SLEEVE	102	35
34388	NUT CLAMP SCREW	104	29	34567	WASHER GIMBAL HOUSING STUD	14	25
34567	WASHER GIMBAL HOUSING STUD	20	24	34576	SPRING COMPRESSION - DRIVESHAFT	42	16
34931	WASHER (.406 x .734 x .063) Stainless Steel GIMBAL RING SCREW	28	29	35048	LOCKWASHER (.375) CLAMPING SCREW	102	13
35386	SCREW (.312-18 x 1.00) HYDRAULIC PUMP TO MOUNTING BRACKET	82	34	35386	SCREW (.312-18 x 1.00) HYDRAULIC PUMP TO MOUNTING BRACKET	88	28
35386	SCREW (.312-18 x 1.00) HYDRAULIC PUMP TO MOUNTING BRACKET	92	27	35462	WASHER (.2656 x .625 x .0625) Stainless Steel COUPLER NUT LOCK SCREW	102	34
35777	WASHER (.5156 x 1.375 x .125) Aluminum TRANSOM PLATE SCREW	10	11	35915	THRUST RING BEARING CARRIER	50	70
35921	NUT (.625-18) PINION GEAR TO DRIVESHAFT	42	19	35921	NUT (.625-18)	56	21
35921	NUT (.625-18) PINION GEAR TO DRIVESHAFT	68	21	35928T1	BEARING ASSEMBLY Tapered Roller	50	64
35928T1	BEARING ASSEMBLY Tapered Roller	62	62	35935	WASHER (.435 x .875 x .105) Stainless Steel BELL HOUSING STUD	30	10
35973	PIN Dowel GEAR HOUSING TO DRIVE SHAFT HOUSING	42	8	35973	PIN Dowel WATER PUMP	42	27
35973	PIN Dowel	56	8	35973	PIN Dowel GEAR HOUSING	68	8
35980A1	SHIM SET	34	23	35982	GASKET Rubber Bell Housing	30	5
35983	RING	34	17	35985	SPACER	34	22
35988A12	BEARING KIT Roller	34	21	35988A3	BEARING ASSEMBLY Tapered Roller	34	21
35988A9	BEARING ASSEMBLY	34	21	35990A1	BEARING ASSEMBLY Roller (TIMKEN CONE #89449/CUP #89410)	36	26
36001	WASHER WATER PUMP SCREW	44	37	36001	WASHER	58	41
36001	WASHER WATER PUMP STUD	70	41	36178A1	SHIM SET BEARING CUP	38	12
36377	COTTER PIN RETAINING PIN (EARLY MODELS)	10	3	36377	COTTER PIN RETAINING PIN (EARLY STYLE)	102	6
36387A1	BEARING ASSEMBLY Roller/Cup	56	17	36387A1	BEARING ASSEMBLY Roller/Cup DRIVESHAFT	68	17
36557	SEAL RUBBER - WATER POCKET COVER	38	3	37268	SCREW (.437-14 x 4.250) TRANSOM PLATE TO GIMBAL HOUSING	10	7
37269	SCREW (.437-14 x 2.00) TRANSOM PLATE TO GIMBAL HOUSING	10	6	37271	WASHER SQUARE - TRANSOM PLATE SCREW	10	9

# PARTS INDEX

Part No.	Description	Pg.	Ref.no	Part No.	Description	Pg.	Ref.no
37612	SCREW (.375-16 x 1.250) CLAMPING	102	12	379721	PIN SHIFT CRANK - GEAR HOUSING	42	2
379721	PIN	56	2	379721	PIN SHIFT CRANK - GEAR HOUSING	68	2
37978	SCREW (#10-32 x .750) Stainless Steel SWITCH AND SENDER TO GIMBAL RING	26	13	37984	NUT (.875-14) STEERING TUBE (NON POWER STEERING)	10	21
37985	WASHER STEERING TUBE (NON POWER STEERING)	10	20	38099	O-RING (2.109 I.D.)	56	26
38377	TUBE SHIFT CABLE (EARLY MODELS ONLY)	12	31	38473	WRAPPING Spiral SHIFT CABLE	12	28
38863	CLAMP ACTUATING CABLE BELLOWS	14	23	38863	CLAMP ACTUATING CABLE BELLOWS	20	22
38970	SEAL RUBBER - WATER INLET TUBE	44	33	38970	SEAL RUBBER	56	34
38970	SEAL RUBBER - WATER INLET TUBE	70	34	39107	LOCKWASHER (.312-24) HYDRAULIC PUMP SCREW	82	35
39107	LOCKWASHER (.312-24) HYDRAULIC PUMP SCREW	88	29	39107	LOCKWASHER (.312-24) HYDRAULIC PUMP SCREW	92	28
39116	WASHER UPPER SHIFT LEVER	30	24	39273	SPACER GIMBAL RING (OLD DESIGN)	26	4
393831	SOCKET Center	34	12	41209	SCREW COUPLER NUT LOCK	102	30
41212	THRU BOLT MOTOR (SHORT)	84	18	41213	THRU BOLT MOTOR (LONG)	84	18
41214	ARMATURE	84	13	41215	FIELD FRAME	84	15
41216	PUMP (INCLUDES SCREWS)	84	4	41217T	ADAPTER	84	1
41218	DIPSTICK	84	8	41218	DIPSTICK	94	7
41219T	RESERVOIR	84	9	41220	SCREW RESERVOIR (INCLUDES O-RING)	84	10
41221	THRU STUD (LONG)	84	11	41222	THRU STUD (SHORT)	84	11
41508	SCREW (.250-20 x .500) Stainless Steel STARTER SOLENOID TO BRACKET	80	17	41508	SCREW (.250-20 x .500) Stainless Steel STARTER SOLENOID TO MOUNTING BRACKET	86	16
41508	SCREW (.250-20 x .500) Stainless Steel STARTER SOLENOID TO BRACKET	92	11	416071	SEAL Oil LOWER GIMBAL HOUSING BUSHING	20	4
41672	TUBE WATER (METAL) (3/4 inch I.D. WATER TUBE)	20	26	416721	TUBE Water WATER (3/4 inch I.D. WATER TUBE)	14	27
416721	TUBE Water WATER (NYLON) (3/4 inch I.D. WATER TUBE)	20	26	41673	COVER WATER TUBE (3/4 inch I.D. WATER TUBE)	16	29
41673	COVER WATER TUBE (3/4 inch I.D. WATER TUBE)	22	28	416751	BUSHING RUBBER - WATER TUBE (3/4 inch I.D. WATER TUBE)	14	28
416751	BUSHING RUBBER - WATER TUBE (3/4 inch I.D. WATER TUBE)	22	27	4172533	HOSE WATER - 3/4 Inch Inside Diameter	30	15
41802	SEAL Rubber EXHAUST SEAL	14	13	41802	SEAL Rubber EXHAUST SEAL	20	12
41939F1	DRIVESHAFT ASSEMBLY	42	14	42253	BOLT SWIVEL BLOCK (LATER MODELS)	10	4
42253	BOLT BOOSTER CYLINDER (LATER STYLE)	102	7	42254	WASHER PIVOT BOLT (LATER MODELS)	10	5
42254	WASHER PIVOT BOLT (LATER STYLE)	102	8	42260A6	GIMBAL HOUSING ASSEMBLY (BLACK)	20	1
423511	LOCKWASHER Toothed PROPELLER SHAFT	52	88	423511	LOCKWASHER Toothed	64	87
423511	LOCKWASHER Toothed PROPELLER SHAFT	76	84	42512A2	SPLASH PLATE KIT (OPTIONAL)	36	29
42574	BUSHING AUTO TRIM SCREW	104	8	42600A3	CONTROLLER ASSEMBLY	108	8
426311	GASKET	56	25	426311	GASKET WATER PUMP TO GEAR HSG	68	25
42634	DRIVESHAFT ASSEMBLY	56	15	42634	DRIVESHAFT ASSEMBLY	68	15
42637A1	SHIM SET	56	16	42637A1	SHIM SET DRIVE SHAFT BEARING	68	16
42647A1	BEARING ASSEMBLY Roller	56	9	42647A1	BEARING ASSEMBLY Roller DRIVE SHAFT	68	9
42679	BEARING Roller (TORRINGTON #GB-1616)	62	64	42682	WELCH PLUG (1-1/4 inch O.D.)	34	4
42683	CONNECTOR (.750-14)	30	3	42724A3	COVER ASSEMBLY, WATER POCKET COVER	38	2
42815A6	BELL HOUSING ASSEMBLY (BLACK)	30	1	42836	PIN Groove	56	14
42836	PIN Groove WATER PUMP	68	14	428611	FITTING Pipe - Brass (.750-14)	34	3
43433	GUIDE SHIFT CABLE	10	25	43433A01	GUIDE KIT	10	-
43436	ANCHOR SHIFT CABLE	10	26	43699	DECAL DRIVE SHAFT HOUSING (3.8LITRE)	38	8
44117A8	PLATE ASSEMBLY Transom	10	1	44163	WASHER (.450 x 1.75 x .12) FRONT PIN	98	13
44163	WASHER (.450 x 1.75 x .12) REAR PIN, Included With 14872A 1	98	18	44221	CONNECTOR (5/8 Inch HOSE - 3/4-14 THREAD)	30	3
44292A3	BASE ASSEMBLY Water Pump	56	24	44292A3	BASE ASSEMBLY Water Pump	58	-
44292A3	BASE ASSEMBLY Water Pump	68	24	44292A3	BASE ASSEMBLY Water Pump	70	-
44574	CAP	108	13	45076	NUT (#10-32) Brass CIRCUIT BREAKER TERMINAL	80	9
45076	NUT (#10-32) Brass AUTO TRIM TERMINAL	104	2	45212	PIN Lower Swivel, GIMBAL HOUSING TO GIMBAL RING	14	15
45212	PIN (LOWER) (STEEL)	20	14	45518A3	LEVER ASSEMBLY UPPER SHIFT SHAFT	30	23
455771	SEAL (OPTIONAL)	36	31	455771	SEAL GEAR HOUSING	42	5
455771	SEAL	56	7	455771	SEAL GEAR HOUSING	68	7
45589A3	SHAFT ASSEMBLY SHIFT - UPPER	30	19	45590	SCREW (.250-28) UPPER SHIFT LEVER (1-1/16 Inch)	30	25
45592	NUT (.312-24) WATER PUMP STUDS	44	39	45691A1	SHIM BEARING CUP TO TOP COVER	38	17
45810	WASHER	36	27	45812	NUT (#10-32) Stainless Steel INSERT SCREW	42	13

# PARTS INDEX

Part No.	Description	Pg.	Ref.no	Part No.	Description	Pg.	Ref.no
45812	NUT (#10-32) Stainless Steel	56	13	45812	NUT (#10-32) Stainless Steel INSERT SCREW	68	13
45814A5	GEAR KIT (Component of Gear Repair Kit 803112T 1)	34	25	460201	YOKE GEAR END	34	11
46438	NUT (#10-32)	108	11	46911	STUD GEAR HOUSING TO DRIVE SHAFT HOUSING (3-3/16 inch)	42	3
46911	STUD (3-3/16 inch)	56	3	46911	STUD GEAR HOUSING TO DRIVE SHAFT HOUSING (3-3/16 inch)	68	3
46942	SCREW (#6-20 x .3125) HARNESS ATTACHING (STARBOARD)	26	11	46950	COTTER PIN (NON POWER STEERING)	28	26
46950	COTTER PIN	102	33	469501	COTTER PIN CLUTCH ACTUATING SHAFT	50	53
469501	COTTER PIN	62	54	47397A1	SHIM SET BEARING OUTER RACE	50	61
47397A1	SHIM SET	62	61	47397A1	SHIM SET BEARING OUTER RACE	74	55
47579	PLUG (1/2 inch DIA. HOLE) (BLACK)	34	7	47591	ROD (1/2 inch DIA. HOLE) (OYSTER)	34	7
48060	SCREW (.250-14 x .625) MOUNTING BRACKET TO HYDRAULIC PUMP	86	6	48409	SCREW (#10-16 x .625) Stainless Steel SOLENOID INSULATOR	80	23
48409	SCREW (#10-16 x .625) Stainless Steel BOOT ATTACHING	88	31	48409	SCREW (#10-16 x .625) Stainless Steel SOLENOID INSULATOR	92	16
48752T	INSERT WATER PUMP	44	32	48752T	INSERT	56	33
48752T	INSERT WATER PUMP	70	33	49440	NUT (.468-32) AUTO TRIM SWITCH	104	23
5000147CP	DRIVESHAFT AND GEAR HSG ASS'Y COMPLETE	6	-	5000162CP	DRIVESHAFT AND GEAR HSG ASS'Y COMPLETE	6	-
5000181CP	DRIVESHAFT AND GEAR HSG ASS'Y COMPLETE	6	-	5000194CP	DRIVESHAFT AND GEAR HSG ASS'Y COMPLETE	6	-
52707A1	PROP NUT KIT (.750-16) PROPELLER	76	88	52707Q1	PROP NUT KIT (.750-16) PROPELLER	52	83
52707Q1	PROP NUT KIT (.750-16)	64	82	52798	PIN Clevis CABLE TO STEERING LEVER (NON POWER STEERING)	28	25
52798	PIN Clevis	102	32	53079A1	BEARING ASSEMBLY Tapered Roller DRIVESHAFT	42	21
5356A4	GEAR HOUSING ASSEMBLY	42	1	5356A4	GEAR HOUSING ASSEMBLY	50	1
54236	TUBE WATER POCKET COVER	38	6	54925	SEAL Oil UPPER GIMBAL HOUSING BEARING	14	6
55111	NUT STEERIN TUBE ADAPTOR	102	19	55422	STUD (#10-32 x 2.00) PLATE MOUNTING	104	24
55778A3	GEAR KIT (Component of Gear Repair Kit 803101T 1)	34	25	55796	DRIVESHAFT UPPER	38	13
55801	O-RING UPPER DRIVE SHAFT	38	14	558101	GASKET WATER POCKET COVER	38	4
55989A8	BOLT ASSEMBLY ANODIC	14	18	55989A8	BOLT ASSEMBLY ANODIC	20	17
55989Q9	ANODE KIT BOLT	14	19	55989Q9	ANODE KIT BOLT	20	18
56085	WASHER ANODIC BOLT	14	20	56085	WASHER ANODIC BOLT	20	19
56292A2	THRUST HUB AND WASHER ASSEMBLY (FOR USE W/M/C I PROPELLERS)	76	85	56292A4	THRUST HUB (FOR USE W/M/C I PROPELLERS)	50	80
56292A4	THRUST HUB (FOR USE W/M/C I PROPELLERS)	64	79	56295	STUD (.437 x 2.69)	34	2
56296	STUD (.437-20 x 4.750) GIMBAL HOUSING TO TRANSOM PLATE	14	2	56296	STUD (.437-20 x 4.750) GIMBAL HOUSING TO TRANSOM PLATE	20	2
562972	STUD (.312-18/.324-24 x 3.380) WATER PUMP GEAR HOUSING	42	6	562972	STUD (.312-18/.324-24 x 3.380)	56	5
562972	STUD (.312-18/.324-24 x 3.380) WATER PUMP GEAR HOUSING	68	5	56298	STUD (.437 X 1.97) GEAR HOUSING TO DRIVE SHAFT HOUSING (1-31/32 inch)	42	4
56298	STUD (.437 X 1.97) (1-31/32 inch)	56	4	56298	STUD (.437 X 1.97) GEAR HOUSING TO DRIVE SHAFT HOUSING (1-31/32 inch)	68	4
56654	KEY IMPELLER DRIVE	44	35	56654	KEY	56	36
56654	KEY IMPELLER DRIVE	70	36	56720	WASHER (.330 x .750 x .060) Stainless Steel MOUNTING BRACKET SCREW	80	4
56720	WASHER (.330 x .750 x .060) Stainless Steel GROUND SCREW	92	4	56766	STUD (.250-20/.250-28 x 1.380) HYDRAULIC CONNECTOR TO GIMBAL HOUSING	14	14
56766	STUD (.250-20/.250-28 x 1.380) HYDRAULIC CONNECTOR TO GIMBAL HOUSING	20	13	57007A1	SHIM DRIVESHAFT BEARING	42	20
57008	RETAINER SWITCH AND SENDER SCREW	26	15	57234A1	BASE ASSEMBLY Water Pump	42	24
57234T1	PUMP KIT Water	44	-	57322T	COVER GIMBAL HOUSING	16	39
57322T	COVER GIMBAL HOUSING	22	38	57969A12	CYLINDER ASSEMBLY Booster (25-58224A1 SEAL REPAIR KIT)	102	1
58491	CHANNEL Rubber (4.00 Inches) PUMP MOUNTING BRACKET	82	36	58491	CHANNEL Rubber (4.00 Inches) PUMP MOUNTING BRACKET	86	27
58491	CHANNEL Rubber (4.00 Inches) PUMP MOUNTING BRACKET	92	26	59579	STUD (.437-14/.437-20 x 2.812) BELL HOUSING TO DRIVE SHAFT HOUSING	30	8
59784	SCREW (.250-10 x 1.00) PUMP MOUNTING BRACKET ATTACHING	82	32	59784	SCREW (.250-10 x 1.00) PUMP MOUNTING BRACKET ATTACHING (1 inch)	86	25
59784	SCREW (.250-10 x 1.00) PUMP MOUNTING BRACKET ATTACHING	92	24	59830A7	YOKE ASSEMBLY COUPLING END	34	14
60794A4	BEARING ASSEMBLY GIMBAL HOUSING	14	10	60794A4	BEARING ASSEMBLY GIMBAL HOUSING	20	9
60932A4	BELLOWS ASSEMBLY UNIVERSAL JOINT	30	12	61075	TOLERANCE RING GIMBAL HOUSING BEARING	14	11
61075	TOLERANCE RING GIMBAL HOUSING BEARING	20	10	61100A1	BEARING ASSEMBLY DRIVE SHAFT	38	16
621041	SHIFT SHAFT INTERMEDIATE	30	20	63990	INSULATOR TRIM LIMIT SWITCH	28	32

# PARTS INDEX

Part No.	Description	Pg.	Ref.no	Part No.	Description	Pg.	Ref.no
63990	INSULATOR TRIM SENDER	104	11	64015	NUT (.250-20) WIRE SCREW	104	6
64947	SENDER DUMMY (STARBOARD) (BLACK)	26	9	65533A1	SEAL GIMBAL HOUSING TO TRANSOM	16	31
65533A1	SEAL GIMBAL HOUSING TO TRANSOM	22	30	66063	CLUTCH SLIDING	74	62
66081A2	CARRIER ASSEMBLY	34	19	66773A3	GEAR SET (Component of Gear Repair Kit 803115T 1)	34	25
66818A1	BEARING ASSEMBLY Tapered Roller (TIMKEN CONE #43131/CUP #43300)	36	26	66824	SPACER	34	22
66824	SPACER	34	22	66824	SPACER	34	22
66884	INSERT WATER PICKUP (PORT SIDE)	42	11	66885	INSERT WATER PICKUP (STARBOARD SIDE)	42	10
67305	FITTING Grease	102	14	67892A1	FITTING KIT Magnetic, Plug Fill/Drain	56	22
67892A1	FITTING KIT Magnetic, Plug Fill/Drain	68	22	681001	RING Thrust	62	70
68219	NUT (#10-32) Stainless Steel PLATE STUD	104	26	68219	NUT (#10-32) Stainless Steel	108	9
68292	NUT (.312-18) GROUND SCREW	92	5	69059	FITTING GIMBAL RING (1/8-27)	26	5
69067	SCREW (.250-20 x 1.375) BLACK WIRE TO AUTO TRIM	104	3	69067	SCREW (.250-20 x 1.375) ELECTRODE	108	2
69254	NUT ROD END	102	25	69501	STUD WATER PUMP GEAR HOUSING (3-1/4 inch)	42	7
69501	STUD (3-1/4 inch)	56	6	69501	STUD WATER PUMP GEAR HOUSING (3-1/4 inch)	68	6
69570	SCREW (#10-16 x .750) VALVE BODY TO RESERVOIR	90	2	70937	O-RING	34	18
71013	SHIM Spacer	34	24	72202	SCREW (#10-32 x 1.25)	108	6
72498	WASHER Synthane Bell Housing	30	7	72729	LIGHT BULB Wedge Base (14V - 1.9W)	104	14
73020A14	CARRIER ASSEMBLY Bearing	50	74	73020A14	CARRIER ASSEMBLY Bearing (CASTING #73020C)	62	73
74036	FITTING Grease GIMBAL HOUSING	14	7	74036	FITTING Grease GIMBAL HOUSING	20	6
74036	FITTING Grease GIMBAL RING (1/4-28)	26	6	74639A2	BELLOWS ASSEMBLY SHIFT ACTUATING CABLE	14	22
74639A2	BELLOWS ASSEMBLY SHIFT ACTUATING CABLE	20	21	75325A3	GEAR KIT (Component of Gear Repair Kit 803114T 1)	34	25
75832T	CROSS AND BEARING	34	13	75832T1	CROSS AND BEARING	34	13
76156	SCREW (#10-32 x 1.88) INSERT TO GEAR HOUSING	42	12	76156	SCREW (#10-32 x 1.88)	56	12
76156	SCREW (#10-32 x 1.88) INSERT TO GEAR HOUSING	68	12	76424	BRACKET SWITCH MOUNTING	104	22
76502	SCREW (.190-32 x 1.880) AUTO TRIM TO BRACKET	104	7	76629	LOCKWASHER Internal Tooth (.750) STEERING TUBE ADAPTOR	102	18
76865	CRANK Shift	50	60	76865	CRANK Shift	62	53
76865	CRANK Shift	74	53	76868	SEAL BEARING CARRIER	50	76
76868	SEAL	62	75	77123	PIN Hinge THREADED (WITH GREASE GROOVE)	26	8
7728	FILL PLUG RESERVOIR	90	12	7731	RESERVOIR ASSEMBLY (PLASTIC)	90	4
7732	WASHER THRUST - ARMATURE	90	5	7735	SEAL RESERVOIR TO VALVE BODY AND GEAR	90	3
774811	SHIFT SHAFT LOWER	44	43	774811	SHIFT SHAFT	58	45
774811	SHIFT SHAFT LOWER	70	45	77633Q	LUBRICAP GIMBAL HOUSING GREASE FITTING	14	8
77633Q	LUBRICAP GIMBAL HOUSING GREASE FITTING	20	7	77633Q	LUBRICAP GIMBAL RING GREASE FITTING	26	7
78458A1	TUBE (454 MAGNUM/JACKSHAFT MODELS)	30	17	78968	LOCKWASHER Internal (.250) CONNECTOR COVER	16	36
78968	LOCKWASHER Internal (.250) HYDRAULIC CONNECTOR STUD	16	37	78968	LOCKWASHER Internal (.250) CONNECTOR COVER	22	35
78968	LOCKWASHER Internal (.250) HYDRAULIC CONNECTOR STUD	22	36	78968	LOCKWASHER Internal (.250) ANODIC PLATE SCREW	22	44
78968	LOCKWASHER Internal (.250) WIRE SCREW	104	5	79023A10	FUSE ASSEMBLY 110 Ampere	80	27
79023A10	FUSE ASSEMBLY 110 Ampere	86	20	79023A10	FUSE ASSEMBLY 110 Ampere	92	20
79091	FUSE 20 Ampere	80	13	79091	FUSE 20 Ampere	86	3
79091	FUSE 20 Ampere	92	7	79091	FUSE 20 Ampere	104	31
79138A1	CABLE ASSEMBLY (NEGATIVE)	86	18	79138A9	CABLE ASSEMBLY (6.00 Feet) Black-Negative	80	6
79138A9	CABLE ASSEMBLY (6.00 Feet) Black-Negative	92	2	79139A12	CABLE ASSEMBLY Red-Positive	80	26
79139A12	CABLE ASSEMBLY Red-Positive	86	18	79139A12	CABLE ASSEMBLY Red-Positive	92	19
79146	RETAINER CONNECTOR, TRIM LIMIT LEADS	28	27	79146	RETAINER	104	12
79147A3	HARNESS ASSEMBLY HYDRAULIC PUMP	80	12	79147A3	HARNESS ASSEMBLY	86	2
79147A3	HARNESS ASSEMBLY HYDRAULIC PUMP	92	6	79149	BREAKER Circuit - 20 Ampere	80	7
79447	TAB WASHER GEAR HOUSING COVER	50	78	79447	TAB WASHER (USE WITH 73020C CARRIER)	62	77
79448	RETAINER GEAR HOUSING	50	79	79448	RETAINER	62	78
79448	RETAINER GEAR HOUSING	76	83	79480	BRACKET	104	18
79888	SOCKET Light Bulb	104	15	79953A04	PLUG ASSEMBLY (.375-16 x .250)	4	-
79953Q2	SCREW KIT (.375-16 x .250) Drain	34	8	79953Q2	SCREW KIT (.375-16 x .250) Drain	44	51
803068T1	BEARING AND SEAL KIT	44	-	803068T1	BEARING AND SEAL KIT	52	-

# PARTS INDEX

Part No.	Description	Pg.	Ref.no	Part No.	Description	Pg.	Ref.no
803079T1	REPAIR KIT Lower Gear	44	-	803079T1	REPAIR KIT Lower Gear	52	-
803090T1	BEARING AND SEAL KIT	58	-	803090T1	BEARING AND SEAL KIT	64	-
803091T1	REPAIR KIT Lower Unit	58	-	803091T1	REPAIR KIT Lower Unit	64	-
803092T1	BEARING AND SEAL KIT	70	-	803092T1	BEARING AND SEAL KIT	76	-
803093T1	GEAR KIT Lower	70	-	803093T1	GEAR KIT Lower	76	-
803097T1	SEAL KIT Transom	4	-	803097T1	SEAL KIT Transom (with Exhaust Bellow)	16	-
803097T1	SEAL KIT Transom (with Exhaust Bellow)	22	-	803097T1	SEAL KIT Transom (with Exhaust Bellow)	32	-
803097T1	SEAL KIT Transom (with Exhaust Bellow)	36	-	803098T1	SEAL KIT Transom (with Exhaust Tube)	16	-
803098T1	SEAL KIT Transom (with Exhaust Tube)	22	-	803098T1	SEAL KIT Transom (with Exhaust Tube)	32	-
803098T1	SEAL KIT Transom (with Exhaust Tube)	36	-	803101T1	REPAIR KIT Gear - Upper Driveshaft	32	-
803101T1	REPAIR KIT Gear - Upper Driveshaft	36	-	803101T1	REPAIR KIT Gear - Upper Driveshaft	38	-
803112T1	REPAIR KIT Gear - Upper Driveshaft	32	-	803112T1	REPAIR KIT Gear - Upper Driveshaft	36	-
803112T1	REPAIR KIT Gear - Upper Driveshaft	38	-	803114T1	REPAIR KIT Gear - Upper Driveshaft	32	-
803114T1	REPAIR KIT Gear - Upper Driveshaft	36	-	803114T1	REPAIR KIT Gear - Upper Driveshaft	38	-
803115T1	REPAIR KIT Gear - Upper Driveshaft	32	-	803115T1	REPAIR KIT Gear - Upper Driveshaft	36	-
803115T1	REPAIR KIT Gear - Upper Driveshaft	38	-	803116T1	REPAIR KIT Gear - Upper Driveshaft	32	-
803116T1	REPAIR KIT Gear - Upper Driveshaft	36	-	803116T1	REPAIR KIT Gear - Upper Driveshaft	38	-
803852	COUPLING	84	2	803852	COUPLING	94	2
803853A1	MANUAL RELEASE (INCLUDES 2 O-RINGS)	84	3	805041A2	BUSHING/SEAL KIT Oil BELL HOUSING (5/16 Inch)	30	NS
805041A2	BUSHING/SEAL KIT Oil BELLHOUSING (5/8 Inch)	30	NS	805130A6	SENDER KIT Dual Station (BLACK)	28	-
805320A1	SWITCH ASSEMBLY (BLACK)	28	-	805320A2	SENDER ASSEMBLY Trim	104	10
806191T	CAP (1.89 O.D.) (BLACK)	96	21	807204	SCREW (.437-20 x 2.00) STEERING LEVER TO UPPER SWIVEL SHAFT	28	23
807754	SCREW (#10-24 x .38) CIRCUIT BREAKER	80	8	808728T	ADAPTER ASSEMBLY	94	1
812498A1	VALVE KIT Relief	84	-	812498A1	VALVE KIT Relief	94	-
812499A1	VALVE KIT Relief	84	-	812499A1	VALVE KIT Relief	94	-
812975A5	GEAR SET (INCLUDES FORWARD AND PINION GEARS)	74	66	814308	BUSHING	30	9
814604A1	ADAPTER ASSEMBLY Bearing	74	72	814605	KEEPER	76	77
8146061	PROPELLER SHAFT	74	65	814653	BEARING ASSEMBLY Needle Rollers	74	57
814653	BEARING ASSEMBLY Needle Rollers	76	73	814819A2	UNIVERSAL JOINT	34	10
815362A1	ADAPTER ASSEMBLY Bearing REVERSE GEAR	74	56	815480	BEARING Thrust	74	59
815481	THRUST WASHER	74	58	815481	THRUST WASHER (Used In Generation II Service Replacement Gear Housings.)	74	70
815482	BEARING Roller	74	61	815504320	CLAMP Worm Gear ACTUATING CABLE BELLOWS	14	24
815504320	CLAMP Worm Gear ACTUATING CABLE BELLOWS	20	23	815504348	CLAMP Worm Gear EXHAUST BELLOWS	30	18
815504372	CLAMP Worm Gear UNIVERSAL JOINT BELLOWS	30	14	815504412	CLAMP Worm Gear WATER HOSE	30	16
815570	THRUST RACE	76	76	815819A1	GEAR ASSEMBLY Reverse	74	60
816458A1	VALVE ASSEMBLY POWER STEERING (25-58226A1 SEAL REPAIR KIT)	102	10	8164641	SEAL Oil BELL HOUSING	30	4
816629	TAB WASHER PROPELLER NUT	52	82	816629	TAB WASHER	64	81
8168112	RETAINER	34	16	818290A6	CARRIER ASSEMBLY Bearing (Used In Generation II Service Replacement Gear Housings.)	76	78
818763A10	CARRIER ASSEMBLY Bearing (CASTING #73020C1)	62	73	821631Q1	PLATE ASSEMBLY ANODIC	22	40
823894	SEAL Oil	34	20	824109A1	GEAR ASSEMBLY Reverse	62	69
824110	PROPELLER SHAFT	50	68	824110	PROPELLER SHAFT	62	68
824111	PROPELLER SHAFT (Used In Generation II Service Replacement Gear Housings.)	74	65	8245191	RETAINER	56	18
8245191	RETAINER DRIVE SHAFT BEARING	68	18	8267089	NUT (.250-28) WATER PUMP STUDS	44	38
82671015	NUT (.437-20) Stainless Steel GIMBAL HOUSING STUD	14	26	82671015	NUT (.437-20) Stainless Steel GIMBAL HOUSING STUD	20	25
82671015	NUT (.437-20) Stainless Steel DRIVE SHAFT HOUSING STUD	52	87	8267119	NUT (.250-28) HYDRAULIC CONNECTOR STUD	16	38
82671323	NUT (.750-16) UPPER SWIVEL SHAFT	28	22	828071A1	GEAR SET (INCLUDES PINION AND FORWARD GEARS)	68	19
828830A2	ADAPTER ASSEMBLY Bearing (Used In Generation II Service Replacement Gear Housings.)	74	56	828831A3	ADAPTER ASSEMBLY Bearing (Used In Generation II Service Replacement Gear Housings.)	76	72
830749	SEAL	4	-	830749	SEAL	4	-
8354671	THRUST HUB (FOR USE W/ BLACK MAX PROPELLERS)	50	80	8354671	THRUST HUB (FOR USE W/ BLACK MAX PROPELLERS)	62	79
85057	WASHER FRONT PIN 3/8-24 THREADS	98	13	85057	WASHER REAR PIN 3/8-24 THREADS	98	18
85058	WASHER FRONT PIN	98	11	85058	WASHER Included With 14872A 1	98	16

# PARTS INDEX

Part No.	Description	Pg.	Ref.no	Part No.	Description	Pg.	Ref.no
85060	PLATE CLAMPING - TRIM CYLINER HOSE	98	8	8507521	SLIDE SHIFT CABLE	12	30
85218A3	PLATE ASSEMBLY SWITCH MOUNTING	104	21	85344	WASHER (.750 Inside Diameter)	26	20
853594T	CLUTCH SLIDING	50	65	853594T	CLUTCH	62	65
85486	SCREW (.250-20 x .380) Stainless Steel CLAMPING PLATE	98	9	856081	GASKET LOWER - WATER PUMP	42	28
856081	GASKET LOWER	56	29	856081	GASKET LOWER - WATER PUMP	68	29
856704	GASKET WATER PUMP TO GEAR HOUSING	42	22	858524	GASKET UPPER - WATER PUMP	44	30
858524	GASKET UPPER	56	30	858524	GASKET UPPER - WATER PUMP	70	30
859116	NUT (.437-20) BELL HOUSING STUD	30	11	859116	NUT (.437-20)	34	6
859116	NUT (.437-20)	64	86	859116	NUT (.437-20) FRONT PIN	98	14
859116	NUT (.437-20) REAR PIN, Included With 14872A 1	98	19	86049	CLIP Grounding BELLOWS	30	13
861127	HOSE Black HYDRAULIC - CONNECTOR TO PUMP (BLACK)	98	1	861128	HOSE Gray HYDRAULIC - CONNECTOR TO PUMP (GRAY)	98	2
861597	CAP (WITH VENT HOLE)	94	9	861680	INSULATOR RUBBER - STARTER SOLENOID TERMINAL	80	22
861680	INSULATOR STARTER SOLENOID TERMINAL	86	15	861680	INSULATOR RUBBER - STARTER SOLENOID TERMIANL	92	15
862548A1	BRACKET KIT MOUNTING - HYD. PUMP (FLOOR MOUNTED)	82	31	862548A1	BRACKET KIT MOUNTING - HYD. PUMP	86	24
862548A1	BRACKET KIT MOUNTING - HYD. PUMP (FLOOR MOUNTED)	92	23	862903	NUT (.375-24) GIMBAL RING SCREW	28	30
862903	NUT (.375-24) FRONT PIN	98	14	862903	NUT (.375-24) REAR PIN	98	19
86322A15	CABLE ASSEMBLY (5.50 Inches) Black SOLENOID TO SLOENOID	80	25	86322A15	CABLE ASSEMBLY (5.50 Inches) Black STARTER SOLENOID	86	19
86322A15	CABLE ASSEMBLY (5.50 Inches) Black SOLENOID TO SOLENOID	92	18	86322A22	CABLE ASSEMBLY (BLACK)	104	4
86322A24	CABLE ASSEMBLY (4.00 Inches) (BLACK)	92	29	86322A3	CABLE ASSEMBLY (2.00 Feet) Black	104	19
86322A6	CABLE ASSEMBLY (BLACK)	106	34	86323A2	CABLE ASSEMBLY (2.00 Feet) Purple	104	19
865436A02	SHIFT CABLE	4	-	86885	SCREW (.250-20 x 1.500) Stainless Steel ANODIC PLATE	22	43
869071	TUBE WATER -5/8 inch I.D. WATER TUBE	14	27	869071	TUBE WATER (5/8 inch I.D. WATER TUBE)	20	26
87379A5	WIRE COLENOID TO SOLENOID (RED)	80	10	87399A2	OVERHAUL KIT	96	--
87399A2	OVERHAUL KIT TRIM CYLINDER	98	--	87400A2	SEAL KIT	96	--
87400A2	SEAL KIT TRIM CYLINDER	98	--	878087A4	GEAR SET (INCLUDES PINION AND FORWARD GEARS)	56	19
878087A4	GEAR SET	58	-	878087A4	GEAR SET	64	-
88035	CAP (2.081 O.D.)	96	21	88075	RETAINER HARNESS TO MOUNTING BRACKET	80	15
88075	RETAINER HARNESS TO MOUNTING BRACKET	92	9	88280	ADAPTER BOOSTER VALVE	102	11
88281	SCREW (.500-20 x 1.750) ADAPTOR	102	15	88282	SLEEVE ADAPTOR BRACKET	102	9
88283	PIN Retaining	102	27	88285	ADAPTER STEERING TUBE	102	17
88286	BUSHING STEERING TUBE	102	28	88287	GUIDE STEERING TUBE	102	21
88302A1	GIMBAL RING KIT With Upper Swivel Shaft (use with spline steering arm)	26	-	88302A2	SHAFT UPPER SWITCH (SQUARE/SPLINED SWIVEL SHAFT)	26	17
88388	O-RING	108	5	88416	SEAL Oil GIMBAL HOUSING	14	9
88416	SEAL Oil GIMBAL HOUSING	20	8	88432	SCREW (.375-24 x 4.00) GIMBAL RING	6	1
88432	SCREW (.375-24 x 4.00) GIMBAL RING SEE DRIVE UNIT CHART REF. #S 1-10	28	28	88456A3	HARNESS ASSEMBLY AUTO TRIM	104	20
88543A3	CABLE ASSEMBLY	108	12	888756K02	ANODE KIT	4	-
888756K02	ANODE KIT	4	-	88957T	BEARING Ball REVERSE GEAR	50	71
88957T	BEARING Ball	62	71	88974A1	WIRE ASSEMBLY (BLACK)	106	33
89029	ADAPTER HYDRAULIC PUMP	80	30	89229	PIN Clevis	102	31
892361	SEAL Oil SHIFT SHAFT BUSHING	44	48	892361	SEAL Oil	58	50
892361	SEAL Oil SHIFT SHAFT BUSHING	70	50	89238	SEAL Oil WATER PUMP	42	25
89238	SEAL Oil	56	27	89481	NUT THRU BOLT AND STUD	84	19
89482	WASHER THRUST - ARMATURE	84	14	89484	END FRAME DRIVE END	84	12
89487	BRUSH CARD	84	16	89488	END FRAME COMMUTATOR END	84	17
89496	FILTER	84	5	89496	FILTER	94	4
89497	O-RING RESERVOIR END	84	7	89498	O-RING MOTOR END	84	6
89498	O-RING MOTOR END	94	5	8951A26	GEAR HOUSING ASSEMBLY COMPLETE	74	--
8951A33	GEAR HOUSING ASSEMBLY COMPLETE	6	-	8951A33	GEAR HOUSING ASSEMBLY	68	--
8951A37	GEAR HOUSING ASSEMBLY (BLACK)	56	1	8951A37	GEAR HOUSING ASSEMBLY	62	1
8951A39	GEAR HOUSING ASSEMBLY	68	1	8951A39	GEAR HOUSING ASSEMBLY	74	1
8951A43	GEAR HOUSING ASSEMBLY COMPLETE	6	-	8951A43	GEAR HOUSING ASSEMBLY COMPLETE	42	--
8951A43	GEAR HOUSING ASSEMBLY COMPLETE	50	--	8951A43	GEAR HOUSING ASSEMBLY COMPLETE (BLACK)	56	--
8951A43	GEAR HOUSING ASSEMBLY COMPLETE BLACK	62	--	8989	BRUSH KIT COMMUTATOR END PLATE	90	9



# PARTS INDEX

Part No.	Description	Pg.	Ref.no	Part No.	Description	Pg.	Ref.no
8993	SPRING KIT GBRUSH TENSION	90	10	89984T4	IMPELLER WATER PUMP	44	34
89984T4	IMPELLER	56	35	89984T4	IMPELLER WATER PUMP	70	35
89984T5	IMPELLER KIT Water Pump	4	-	89984T5	IMPELLER KIT Water Pump	44	-
89984T5	IMPELLER KIT Water Pump	58	-	89984T5	IMPELLER KIT Water Pump	70	-
8M0058389	SCREW KIT Drain	4	-	8M0147054	MAINTENANCE KIT Alpha One (100 Hours)	4	-
8M0147072	MAINTENANCE KIT Alpha One (300 Hours)	4	-	8M0156764	NUT 1.30 X .90 X .125	12	32
8M2015913	PLUG (.250-28 x .320)	14	7	8M2015913	PLUG (.250-28 x .320)	20	6
90011	O-RING (2.175 x .175)	56	26	90011	O-RING (2.175 x .175) WATER PUMP	68	26
90126	SCREW (.375-24 x 3.750) GIMBAL RING	8	7	90126	SCREW (.375-24 x 3.750) GIMBAL RING SEE DRIVE UNIT CHART REF. #S 1-10	28	28
90285	SCREW (.312-18 x .625) MOUNTING BRACKET	80	3	90285	SCREW (.312-18 x .625) GROUND	92	3
90426T	BRACKET MOUNTING - STARTER SOLENOID	80	2	90887	PLUG UPPER SWIVEL SHAFT	28	31
92054	TUBE EXTENDING	102	2	92055	TUBE RETRACTING	102	3
92320T	GEAR Reverse	50	69	92366A1	BEARING ASSEMBLY Roller DRIVE SHAFT	42	9
9248	ARMATURE FIELD AND FRAME	90	6	9249	FIELD AND FRAME ASSEMBLY	90	7
9250	PLATE ASSEMBLY COMMUTATOR END	90	8	9251	BOLT SET THRU	90	11
9252	VALVE BODY AND GEAR ASSEMBLY	90	1	92721	WASHER	56	20
92721	WASHER PINION GEAR	68	20	92766	LOCK COUPLER NUT	102	29
934231	INSERT (STARBOARD) (BLACK)	56	10	934231	INSERT WATER PICKUP (STARBOARD)	68	10
934241	INSERT (PORT) (BLACK)	56	11	934241	INSERT WATER PICKUP (PORT)	68	11
93732A6	TRIM ASSEMBLY Auto	104	1	9412A18	HOUSING ASSEMBLY Driveshaft (BLACK)	34	1
9412A19	HOUSING ASSEMBLY Driveshaft COMPLETE	6	-	9412A20	HOUSING ASSEMBLY Driveshaft COMPLETE	6	-
9412A21	HOUSING ASSEMBLY Driveshaft COMPLETE	6	-	9412A22	HOUSING ASSEMBLY Driveshaft COMPLETE	6	-
9412A23	HOUSING ASSEMBLY Driveshaft COMPLETE	6	-	94275	LINK SOLENOID TO SOLENOID	80	24
94275	LINK SOLENOID TO SOLENOID	86	17	94275	LINK SOLENOID TO SOLENOID	92	17
94279	BRACKET MOUNTING - STARTER SOLENOID	86	5	94330	NUT (.250-20) Brass STARTER SOLENOID TERMINAL	80	21
94330	NUT (.250-20) Brass SOLENOID TERMINAL	86	14	94330	NUT (.250-20) Brass STARTER SOLENOID TERMINAL	92	14
94953A1	BRACKET ASSEMBLY ADAPTOR	102	4	94989A6	GIMBAL HOUSING ASSEMBLY	14	1
94991A1	LEVER ASSEMBLY Steering (SQUARE/SPLINED SWIVEL SHAFT)	26	16	94993A12	GIMBAL RING KIT With Upper Swivel Shaft (use with square steering arm)	26	-
94993A7	GIMBAL RING ASSEMBLY (BLACK)	26	1	94996Q2	GASKET BELL HOUSING	30	2
94996T2	GASKET SET	4	-	94998A4	COVER ASSEMBLY TOP (BLACK)	38	15
95084A10	CABLE ASSEMBLY (5.00 Inches) Red FUSE	104	32	95084A2	CABLE ASSEMBLY FUSE	80	14
95084A2	CABLE ASSEMBLY FUSE	86	4	95084A2	CABLE ASSEMBLY FUSE	92	8
95084A9	CABLE ASSEMBLY (91.00 Inches) Red/Purple Strip FUSE	104	30	95353A1	VALVE KIT Thermal Relief	84	-
95353A1	VALVE KIT Thermal Relief	94	-	95803	BUSHING BLOCK (NON POWER STEERING)	10	22
95803	BUSHING PIVOT	102	26	95814	STRAP WIRING HARNESS CONNECTOR	104	27
95846	SWIVEL BLOCK (NON POWER STEERING)	10	19	95848A1	CLEVIS ASSEMBLY ROD END	102	23
96084A2	GEAR REPLACEMENT KIT	52	-	96084A2	GEAR REPLACEMENT KIT	64	-
96084A4	GEAR SET	52	-	96084A7	GEAR SET (INCLUDES PINION AND FORWARD GEARS)	42	18
96148A8	WATER PUMP REPAIR KIT	44	-	96148A8	WATER PUMP REPAIR KIT	58	-
96148A8	WATER PUMP REPAIR KIT	70	-	96148T1	BODY ASSEMBLY Water Pump	44	31
96148T1	BODY ASSEMBLY Water Pump	56	32	96148T1	BODY ASSEMBLY Water Pump	70	32
96158T	SOLENOID TRIM PUMP	80	16	96158T	SOLENOID TRIM PUMP	86	10
96158T	SOLENOID TRIM PUMP	92	10	96400	TUBE Steering (NON POWER STEERING)	10	18
96411	SCREW (#14-8 x 2.25)	56	37	96411	SCREW (#14-8 x 2.25) WATER PUMP TO GEAR HOUSING	70	37
96457	WASHER Phenolic (.27 x .81 x .062) FUSE TERMINAL	80	28	96457	WASHER Phenolic (.27 x .81 x .062) FUSE TERMINAL	86	21
96457	WASHER Phenolic (.27 x .81 x .062) FUSE TERMINAL	92	21	965031	SEAL Oil DRIVE SHAFT HOUSING - LOWER	38	10
96511	TUBE ASSEMBLY STEERING	102	20	96598A1	MANUAL RELEASE (INCLUDES 3 O-RINGS)	84	3
96784	SPACER MOUNTING BRACKET SCREW	86	8	97166	SHIM THRUST WASHER TO GEAR HOUSING	50	72
97934	SCREW (.500-20 x 5.370) Special TRANSOM PLATE TO FLYWHEEL HOUSING	10	10	97934A1	BOLT KIT	12	-
98230A1	SHAFT ASSEMBLY UPPER SWIVEL (SQUARE SWIVEL SHAFT)	26	19	98262A1	LEVER ASSEMBLY (SQUARE SWIVEL SHAFT)	26	18
98356	BUSHING GIMBAL HOUSING (UPPER)	20	5	983571	BUSHING GIMBAL HOUSING (LOWER)	20	3
98533	NUT (.437-20) STEERING LEVER TO UPPER SWIVEL SHAFT SCREW	28	24	98548	WASHER (1.125 ) (SQUARE SWIVEL SHAFT)	26	21
98703A10	TUBE (PORT) - CASTING #98703 1	96	20	98703A3	TRIM CYLINDER (TRIM CYLINDER ASSEMBLY (PORT))	6	3

# PARTS INDEX

Part No.	Description	Pg.	Ref.no	Part No.	Description	Pg.	Ref.no
98703A3	TRIM CYLINDER (PORT)	98	5	98703T	TUBE (PORT) - CASTING #98703	96	20
98704A10	TUBE (STARBOARD) - CASTING #98704 1	96	20	98704A3	TRIM CYLINDER ASSEMBLY (STBD.)	6	2
98704A3	TRIM CYLINDER ASSEMBLY (STARBOARD)	98	4	98704T	TUBE (STARBOARD) - CASTING #98704	96	20
98794	SCREW (.375-16 x 1.00) TOP COVER	38	19	988231	GASKET HYDRAULIC CONNECTOR	16	32
988231	GASKET HYDRAULIC CONNECTOR	22	31	98825A4	MANIFOLD ASSEMBLY HYDRAULIC	16	33
98825A4	MANIFOLD ASSEMBLY HYDRAULIC (BLACK)	22	32	98869A11	ELECTRODE ASSEMBLY (BLACK)	108	1
98869A14	MERCATHODE SYSTEM (OYSTER)	108	1	99073A1	REPAIR KIT Overhaul	84	-
99122A2	SWITCH ASSEMBLY TRIM LIMIT - PORT (BLACK)	26	12	99207	PIN REAR ANCHOR 3/8-24 THREADS	98	15
99291T	BUSHING RUBBER	98	12	99291T	BUSHING RUBBER, Included With 14872A 1	98	17
99298	NUT (.500-20) TRANSOM PLATE SCREW	10	15	99299	SPACER (.520 x .870 x .630) TRANSOM PLATE SCREW	10	12
99352	BEARING GIMBAL RING (NYLON) (NEW DESIGN)	26	4A	99353	SWIVEL PIN Lower (ALUMINUM)	20	14
995061	GASKET CONNECTOR COVER	16	34	995061	GASKET CONNECTOR COVER	22	33
995061	GASKET ANODIC PLATE	22	42	99535A2	GAUGE ASSEMBLY AUTO TRIM	104	13
99902	HOSE Trim Cylinder (STBD.)	6	4	99902	HOSE Trim Cylinder (STARBOARD)	98	6
999021	HOSE Trim Cylinder (STBD)	8	10	999021	HOSE Trim Cylinder (STARBOARD)	98	6
99903	HOSE Trim Cylinder (PORT)	6	5	99903	HOSE Trim Cylinder (PORT)	98	7
999031	HOSE Trim Cylinder (PORT)	8	11	999031	HOSE Trim Cylinder (PORT)	98	7
99904	HOSE HYDRAULIC - TRIM CYLINDER TO CONNECTOR	98	3	99938	PIN SWIVEL BLOCK (EARLY MODELS)	10	2
99938	PIN BOOSTER CYLINDER (EARLY STYLE)	102	5	99940A1	CONTINUITY KIT	110	-
99964	PARTS MANUAL R/MR ALPHA ONE STERNDRIVE Service	2	-	NSS	NOT SOLD SEPARATE ADJUSTING - SHAFT	50	54
NSS	NOT SOLD SEPARATE SPRING - SHAFT	50	55	NSS	NOT SOLD SEPARATE CLUTCH ACTUATING SHAFT	50	56
NSS	NOT SOLD SEPARATE COMPRESSION	50	57	NSS	NOT SOLD SEPARATE CLUTCH ACTUATING SHAFT	50	58
NSS	NOT SOLD SEPARATE CLUTCH ACTUATING	50	59	NSS	NOT SOLD SEPARATE	50	62
NSS	NOT SOLD SEPARATE Adjusting, Shaft	62	55	NSS	NOT SOLD SEPARATE Spring Shaft	62	56
NSS	NOT SOLD SEPARATE Clutch Actuating Shaft	62	57	NSS	NOT SOLD SEPARATE Compression	62	58
NSS	NOT SOLD SEPARATE Clutch Actuating Shaft	62	59	NSS	NOT SOLD SEPARATE Clutch Actuating	62	60
NSS	NOT SOLD SEPARATE	62	63	NSS	NOT SOLD SEPARATE (10-15 X 3-3/8 inch)	96	1
NSS	NOT SOLD SEPARATE	96	2	NSS	NOT SOLD SEPARATE SPRING	96	3
NSS	NOT SOLD SEPARATE STEEL (.109 DIA.)	96	4	NSS	NOT SOLD SEPARATE SPRING	96	5
NSS	NOT SOLD SEPARATE COMPRESSION	96	6	NSS	NOT SOLD SEPARATE BALL CHECK	96	7
NSS	NOT SOLD SEPARATE SHOCK	96	8	NSS	NOT SOLD SEPARATE STEEL (.250 DIA.)	96	9
NSS	NOT SOLD SEPARATE STEEL BALL	96	10	NSS	NOT SOLD SEPARATE COMPRESSION	96	11
NSS	NOT SOLD SEPARATE	96	12	NSS	NOT SOLD SEPARATE	96	13
NSS	NOT SOLD SEPARATE CONTINUITY	96	14	NSS	NOT SOLD SEPARATE	96	15
NSS	NOT SOLD SEPARATE	96	16	NSS	NOT SOLD SEPARATE	96	17
NSS	NOT SOLD SEPARATE PLAIN	96	18	NSS	NOT SOLD SEPARATE	96	19