

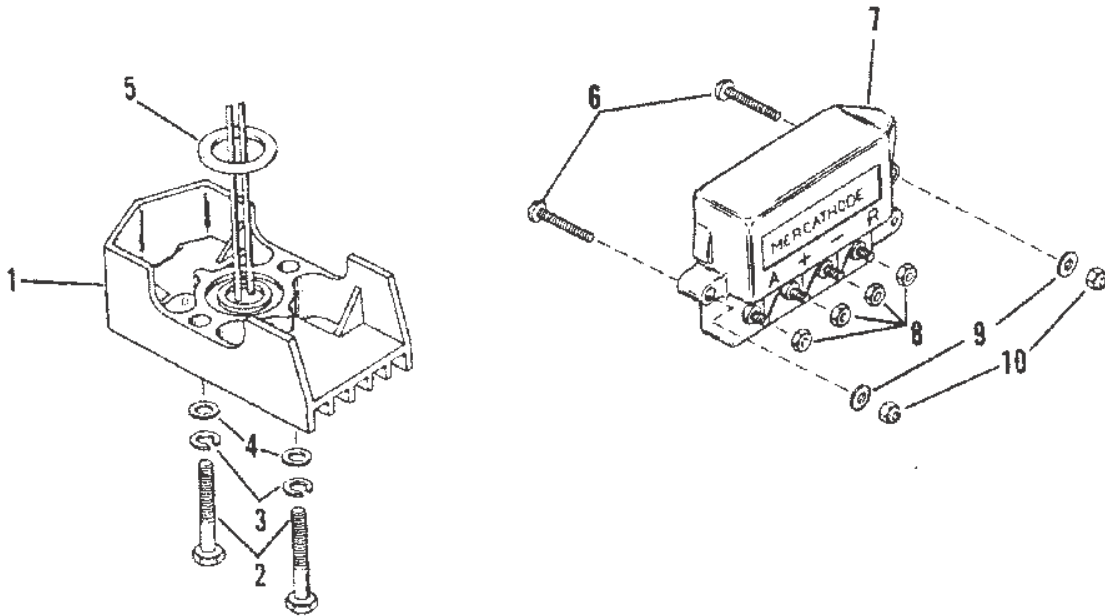
Parts Manual

Cat.# 90-81818391

Revised 09-12-2020

TABLE OF CONTENTS

Cat.# 90-81818391	
Mercthode Kit.....	1
Transom Plate And Shift Cable.....	3
Continuity Kit.....	5
Gimbal Housing.....	7
Gimbal Ring And Steering Lever.....	11
Bell Housing.....	13
Drive Shaft Housing And Drive Gears.....	15
Drive Shaft Housing And Drive Shaft.....	19
Gear Housing Driveshaft - Standard Rotation.....	21
Gear Housing Propeller Shaft - Standard Rotation.....	25
Gear Housing Driveshaft - Counter Rotation.....	29
Gear Housing Propeller Shaft - Counter Rotation.....	33
Trim Cylinders And Hydraulic Hoses.....	39
Hydraulic Pump.....	41
Power Trim Cylinder Repair Kits.....	43
Hydraulic Pump And Bracket.....	45
Power Steering Components.....	47
Oil Reservoir Components (Square Oil Bottle).....	49
Oil Reservoir Components (Round Oil Bottle).....	51
Drive Unit Chart.....	53
Gimbal Housing Cover.....	59
Maintenance Kits.....	61

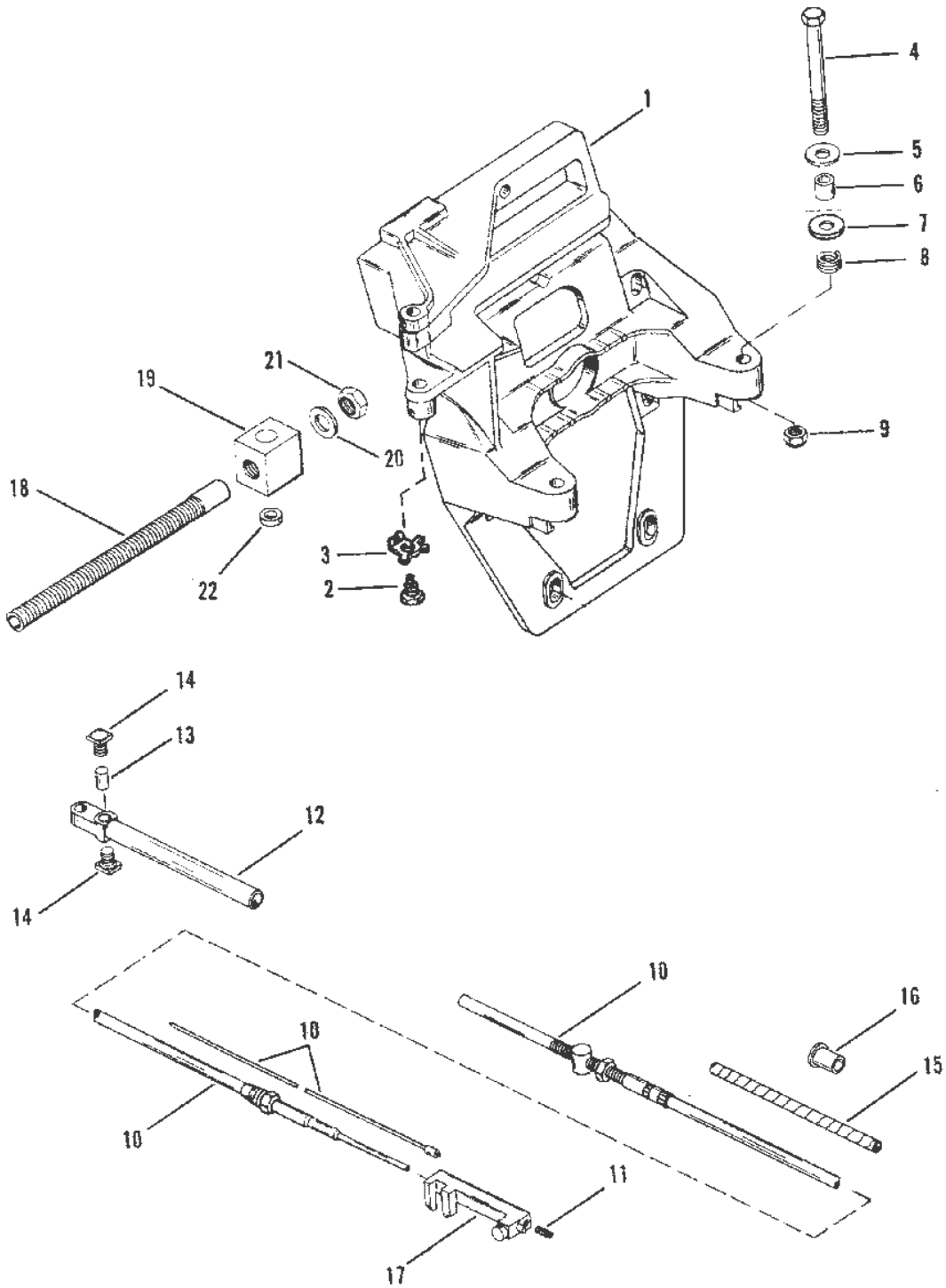


13829

Mercthode Kit

Ref #	Part Class	Part Number	Description	Comments	Qty	Note
1	0000	98869A11	ELECTRODE ASSEMBLY		1	
2	0010	69067	SCREW (.250-20 x 1.375)		2	
3	0013	26992	LOCKWASHER (.250) Stainless Steel		2	
4	0012	29245	WASHER (.281 x .500 x .060) Stainless Steel		2	
5	0025	88388	O-RING		1	
6	0010	72202	SCREW (#10-32 x 1.25)		1	
6	0010	45862	SCREW (#10-32 x .875)		1	
7	0000	42600A3	CONTROLLER ASSEMBLY		1	
8	0011	68219	NUT (#10-32) Stainless Steel		4	
9	0012	21273	WASHER		2	
10	0011	46438	NUT (#10-32)		2	

Transom Plate And Shift Cable



13830












Transom Plate And Shift Cable

Ref #	Part Class	Part Number	Description	Comments	Qty	Note
1	0000	44117A8	PLATE ASSEMBLY Transom		1	
2	0010	42253	BOLT		2	
3	0014	42254	WASHER		2	
4	0010	97934	SCREW (.500-20 x 5.370) Special		2	
5	0012	35777	WASHER (.5156 x 1.375 x .125) Aluminum		2	
6	0023	99299	SPACER (.520 x .870 x .630)		2	
7	0012	32834	WASHER (.9375 x 1.750 x .172)		2	
8	0013	33734	LOCKWASHER (.500)		2	
9	0011	99298	NUT (.500-20)		2	
10	0000	19543A4	CABLE ASSEMBLY Shift		1	[1]
11	0010	31700	SCREW (.250-28 x .750)		1	
-	0000	43433A01	GUIDE KIT		1	
12	0000	43433	GUIDE		1	
13	0000	43436	ANCHOR		1	
14	0010	20518	SET SCREW (#8-32)		2	
15	0000	38473	WRAPPING Spiral		1	
16	0000	14705	INSERT		1	
17	0000	33981T1	SLIDE		1	
18	0000	96400	TUBE Steering	(Non Power Steering)	1	
19	0000	95846	SWIVEL BLOCK	(Non Power Steering)	1	
20	0012	37985	WASHER	(Non Power Steering)	1	
21	0011	37984	NUT (.875-14)	(Non Power Steering)	1	
22	0023	95803	BUSHING	(Non Power Steering)	2	

PART NOTES:

- [1] - Alternate part numbers:
19543A 4Service Part
865436A03Kit

NOTE
All components parts of the
Continuity Kit are not sold separately.
Order 99940A2

COMPONENTS					
Cable Assembly	Cable Assembly	Ground Plate	Hex Head Screw	Lockwasher	Self-Tapping Screw
					
					Binding Head Screw
		Ground Plate	Hex Head Screw	Lockwasher	
					Locknut
					

13831

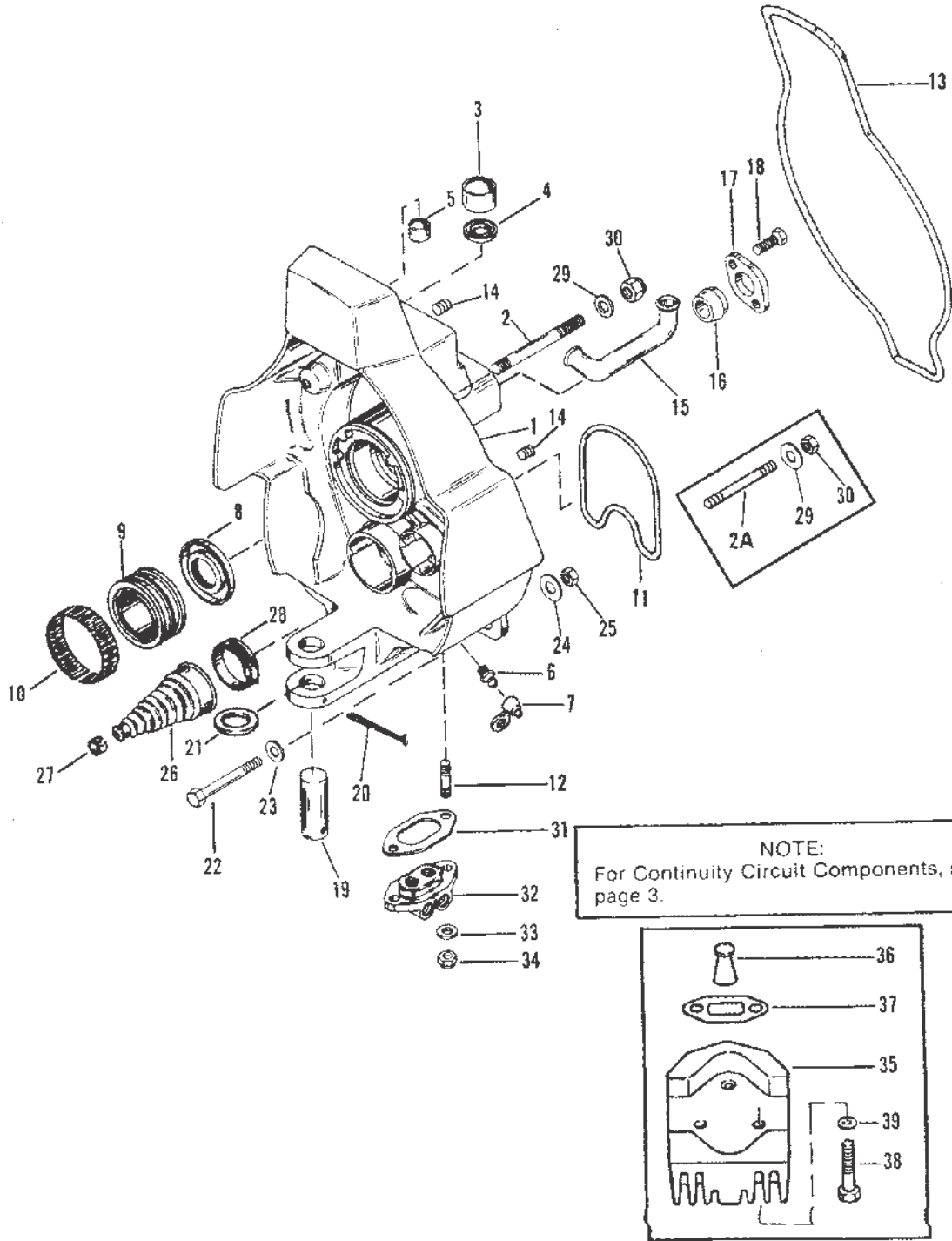
Cat.# 90-81818391

Continuity Kit

Ref #	Part Class	Part Number	Description	Comments	Qty	Note
-	0000	99940A2	CONTINUITY KIT	(All Components Of This Kit Are Not Sold Separately)	1	

Continuity Kit

Gimbal Housing



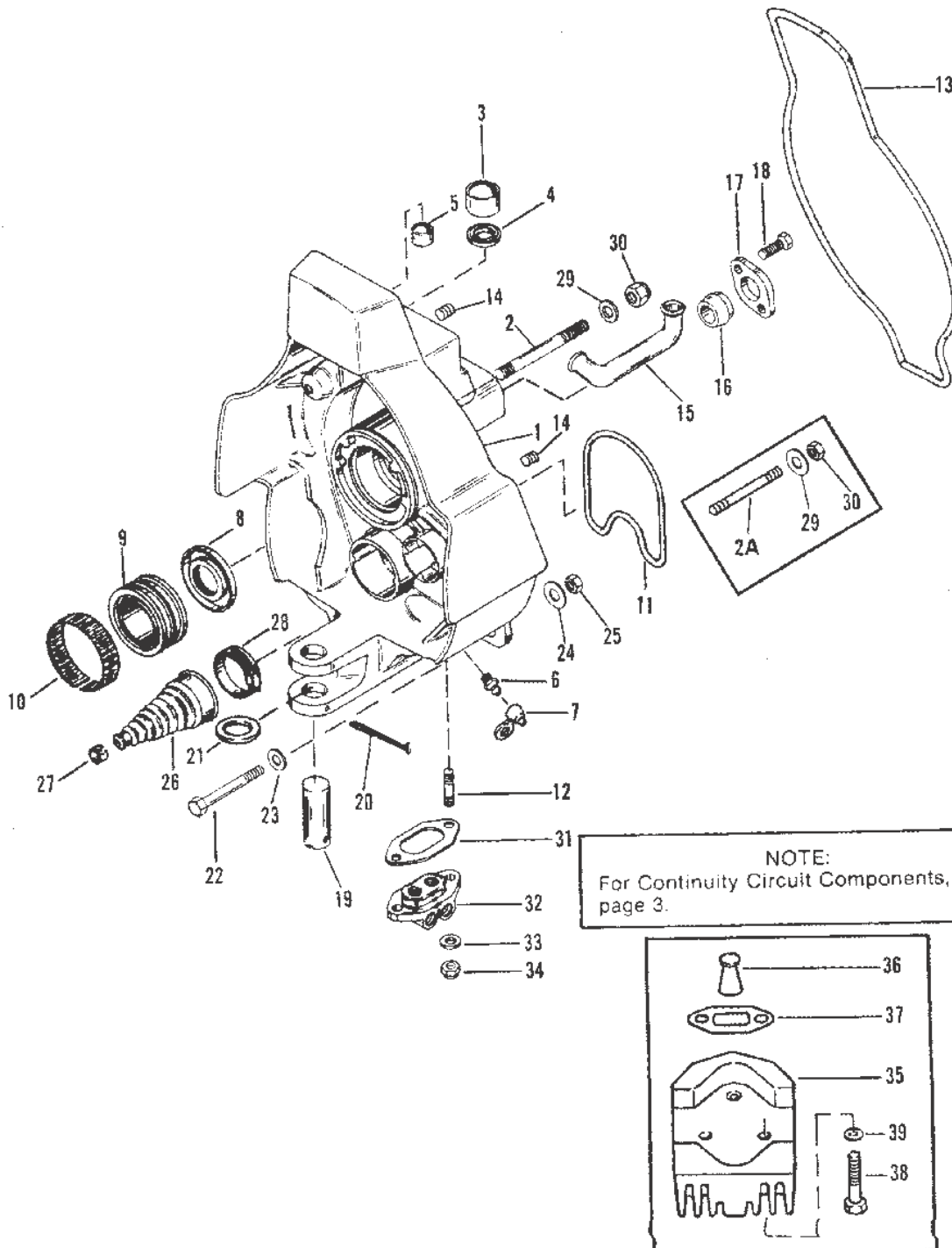
NOTE:
For Continuity Circuit Components, see page 3.

13832

Gimbal Housing

Ref #	Part Class	Part Number	Description	Comments	Qty	Note
1	0000	43881A11	GIMBAL HOUSING ASSEMBLY		1	
2	0016	56296	STUD (.437-20 x 4.750)		6 Or 4	
2A	0016	818834	STUD (.437-20 x 4.250) New Design		2	
3	0023	983571	BUSHING Lower		1	
4	0026	416071	SEAL Oil		1	
5	0023	98356	BUSHING Upper		1	
6	0022	74036	FITTING Grease	(Use with greased bearing)	1	
6	0010	8M2015913	PLUG (.250-28 x .320)	(Use with non-greased bearing)	1	
7	0019	77633	LUBRICAP		1	
8	0026	88416	SEAL Oil		1	
9	0030	60794A4	BEARING ASSEMBLY		1	
10	0000	61075	TOLERANCE RING		1	
11	0000	41802	SEAL Rubber Exhaust Pipe		1	
12	0016	56766	STUD (.250-20/.250-28 x 1.380)		2	
13	0000	43713	SEAL		1	
14	0022	73379	PLUG (.250-18)		1	
15	0032	416721	TUBE Water		1	
16	0023	816599	BUSHING		1	
17	0000	41673	COVER		1	
18	0010	28636	SCREW (.250-20 x .750)		2	
19	0017	99353	SWIVEL PIN Lower		1	
20	0018	54929	COTTER PIN		1	
21	0012	32518	WASHER		1	
22	0010	43691	BOLT (.500-13 x 4.00)	(Old Design)	2	
23	0012	32620	WASHER	(Old Design)	2	
24	0012	21900	WASHER	(Old Design)	2	
25	0011	34087	NUT	(Old Design)	2	
26	0000	74639A2	BELLOWS ASSEMBLY		1	[1]
27	0054	38863	CLAMP		1	
28	0054	815504320	CLAMP Worm Gear		1	
29	0012	34567	WASHER		6 Or 8	
30	0011	34933	NUT (.437-20) Stainless Steel		6 Or 8	
31	0027	988231	GASKET		1	
32	0000	98825A4	MANIFOLD ASSEMBLY		1	
33	0013	78968	LOCKWASHER Internal (.250)		2	
34	0011	13438	NUT (.250-28)		2	
35	0000	821631A1	ANODE ASSEMBLY		1	[2]
36	0000	12077	SEAL		1	
37	0027	995061	GASKET		1	
38	0010	86885	SCREW (.250-20 x 1.500) Stainless Steel		2	
39	0013	78968	LOCKWASHER Internal (.250)		2	

Gimbal Housing



NOTE:
For Continuity Circuit Components, see page 3.

13832

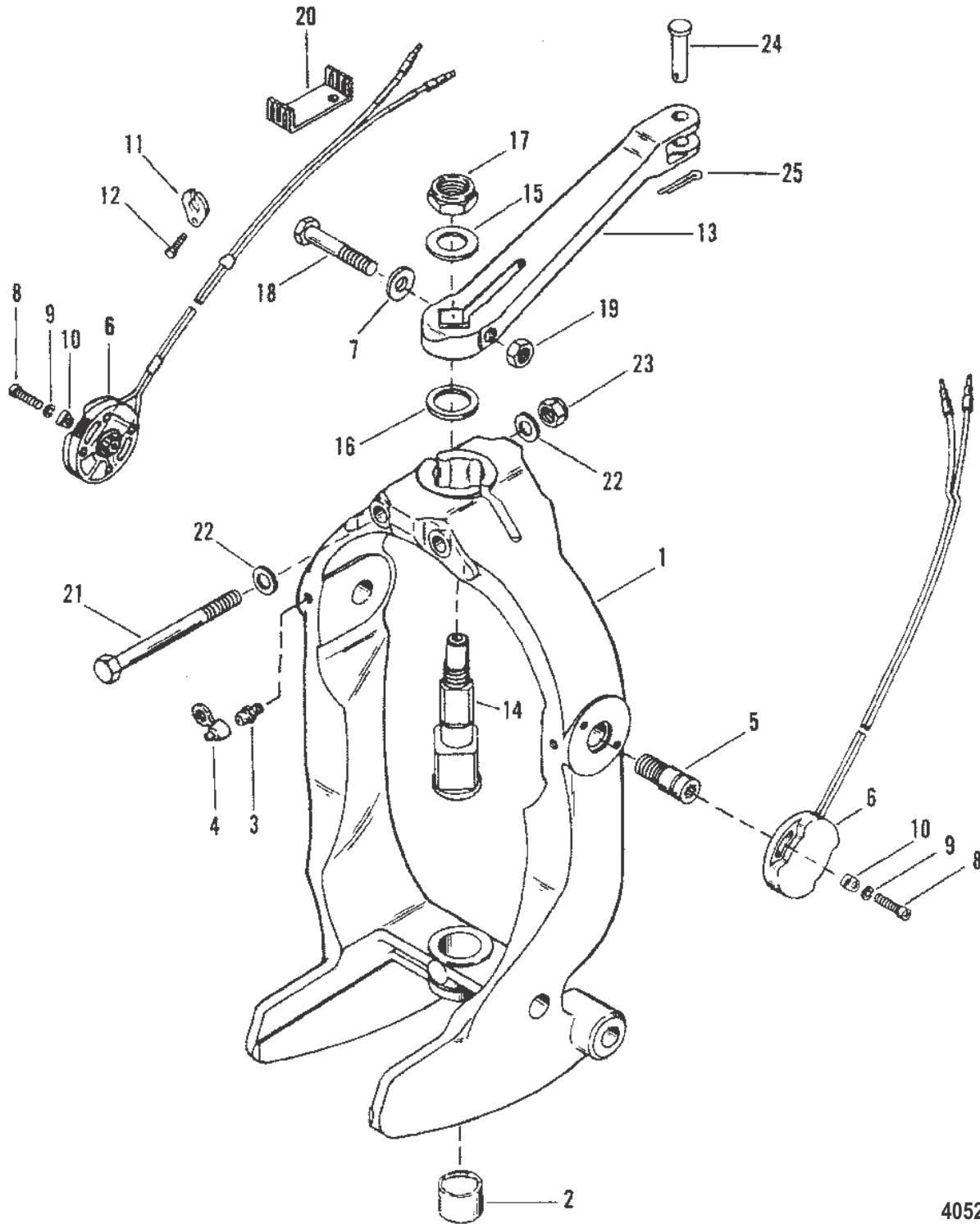
Gimbal Housing

Ref #	Part Class	Part Number	Description	Comments	Qty	Note
-	0022	88847A1	PLUG KIT Access Hole	(Contains All Necessary Parts To Allow Removal Of Swivel Shaft With Out Removing Gimbal Housing)	1	

PART NOTES:

- [1] - Alternate part numbers:
74639A 2Service Part
74639Q02QS
- [2] - Alternate part numbers:
821631A 1Service Part
821631Q 1QS
821631T 1MPP
821631T 3Magnesium

Gimbal Ring And Steering Lever

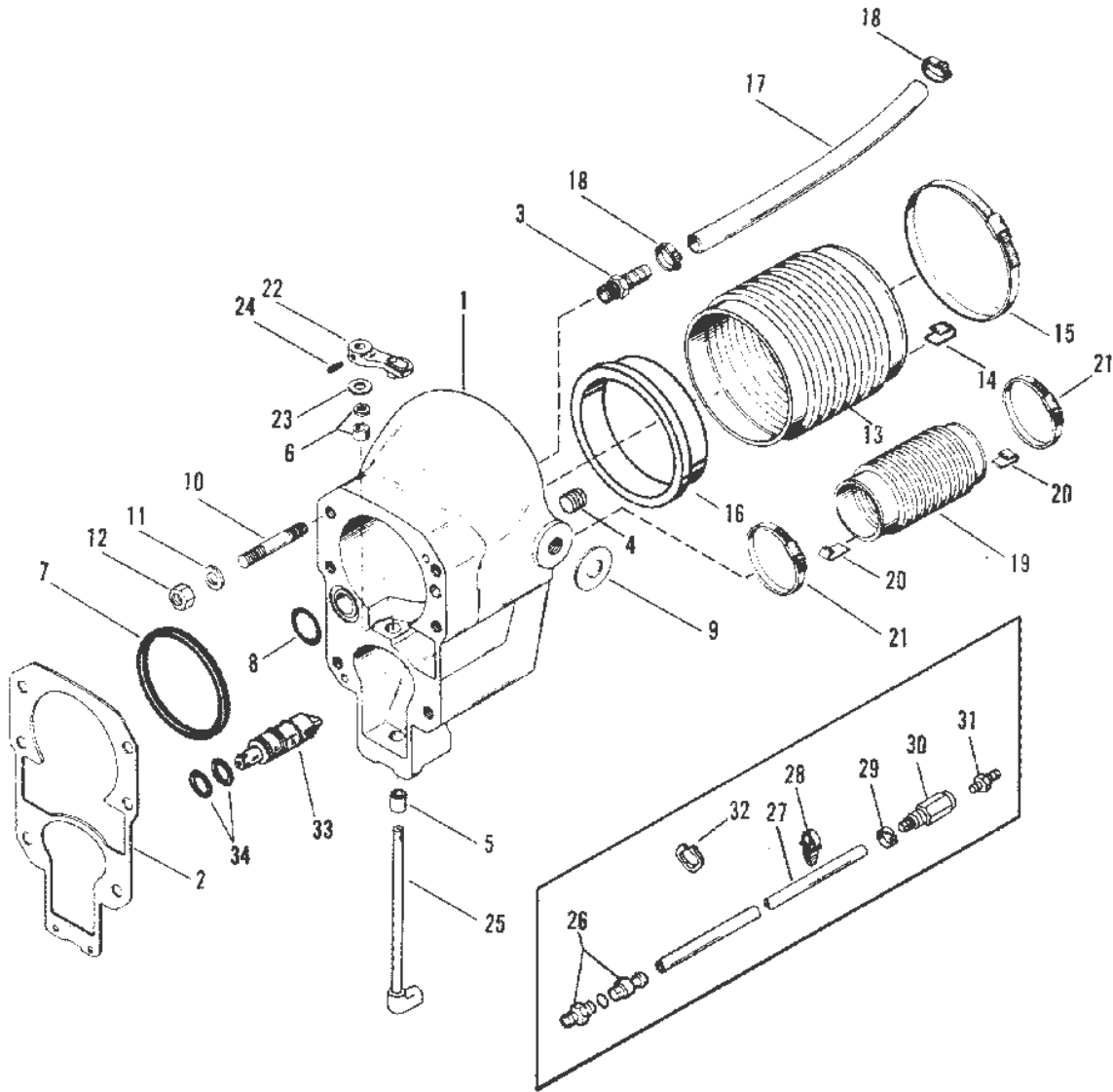


40525

Gimbal Ring And Steering Lever

Ref #	Part Class	Part Number	Description	Comments	Qty	Note
X21	0000	816461A2	GIMBAL RING ASSEMBLY		1	
2	0023	99352	BEARING		1	
3	0022	74036	FITTING Grease (.250-28)		2	
4	0019	77633	LUBRICAP		2	
5	0000	77123	PIN Hinge		2	
6	0000	805320A1	SWITCH ASSEMBLY		1	
7	0012	91964	WASHER		1	
8	0010	37978	SCREW (#10-32 x .750) Stainless Steel		4	
9	0013	26996	LOCKWASHER (#10) Stainless Steel		4	
10	0000	57008	RETAINER		4	
11	0054	12078	CLAMP		1	
12	0010	28635	SCREW (.250-20 x .620) Stainless Steel		1	
13	0000	98262A1	LEVER ASSEMBLY		1	
14	0000	98230A1	SHAFT ASSEMBLY		1	
15	0012	85344	WASHER (.750 Inside Diameter)		1	
16	0012	98548	WASHER (1.125)		1	
17	0011	25599	NUT (.750-16)		1	
18	0010	32995	SCREW (.437-20 x 2.00)		1	
19	0011	98533	NUT (.437-20)		1	
20	0000	79146	RETAINER		1	
21	0010	90126	SCREW (.375-24 x 3.750)		2	
22	0012	34931	WASHER (.406 x .734 x .063) Stainless Steel		4	
23	0011	134371	NUT (.375-24)		2	
24	0017	52798	PIN Clevis	(Non Power Steering)	1	
25	0018	46950	COTTER PIN	(Non Power Steering)	1	

Bell Housing

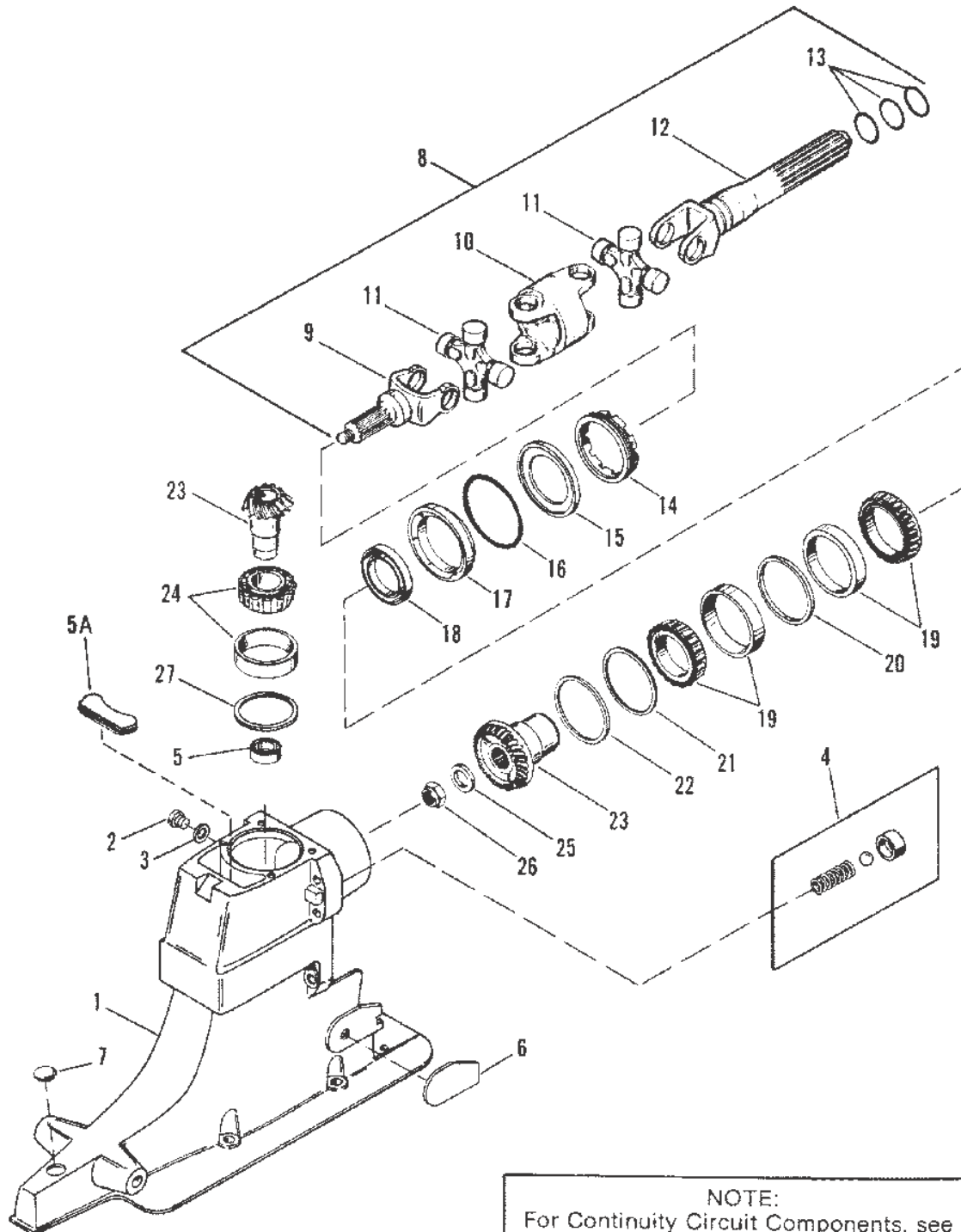


13834

Bell Housing

Ref #	Part Class	Part Number	Description	Comments	Qty	Note
1	0000	806031A2	BELL HOUSING ASSEMBLY		1	
2	0027	64818A3	GASKET KIT		1	
3	0022	42683	CONNECTOR (.750-14)		1	
4	0022	32802	PLUG Pipe (.125-27)		1	
5	0023	814308	BUSHING		1	
6	0023	805041A2	BUSHING/SEAL KIT Oil	[F094774] & Below	1	
6	0023	806036A1	BUSHING/SEAL KIT Oil	[F094775] & Up	1	
7	0027	35982	GASKET Rubber		1	
8	0025	33504	O-RING		1	
9	0012	72498	WASHER Synthane		2	
10	0016	59579	STUD (.437-14/.437-20 x 2.812)		6	
11	0012	35935	WASHER (.435 x .875 x .105) Stainless Steel		6	
12	0011	134391	NUT (.4375-20)		6	
13	0000	816431A1	BELLOWS ASSEMBLY Universal Joint		1	
14	0054	86049	CLIP Grounding		1	
15	0054	815504372	CLAMP Worm Gear		1	
16	0000	816607	SLEEVE		1	
17	0032	4172533	HOSE		1	
18	0054	815504412	CLAMP Worm Gear		2	
19	0000	18654A1	BELLOWS ASSEMBLY		1	
20	0054	86049	CLIP Grounding		2	
21	0054	815504348	CLAMP Worm Gear		2	
22	0000	45518A2	LEVER ASSEMBLY		1	
23	0012	39116	WASHER		1	
24	0010	45590	SCREW (.250-28)		1	
25	0000	816685	SHIFT SHAFT Upper		1	
26	0022	815956A1	COUPLING ASSEMBLY Speedometer		1	
27	0032	5495053	TUBING (53.00 Feet Bulk)		1	
28	0054	12994	CLIP		1	
29	0054	816606	CLAMP		1	
30	0022	816594A1	FITTING ASSEMBLY		1	
31	0022	814382	CONNECTOR		1	
32	0054	818557	CLAMP		2	
33	0000	18920A1	VALVE ASSEMBLY	(Use With Oil Reservoir)	1	
34	0025	48171	O-RING (.364. x .070)	(Use With Oil Reservoir)	2	

Drive Shaft Housing And Drive Gears



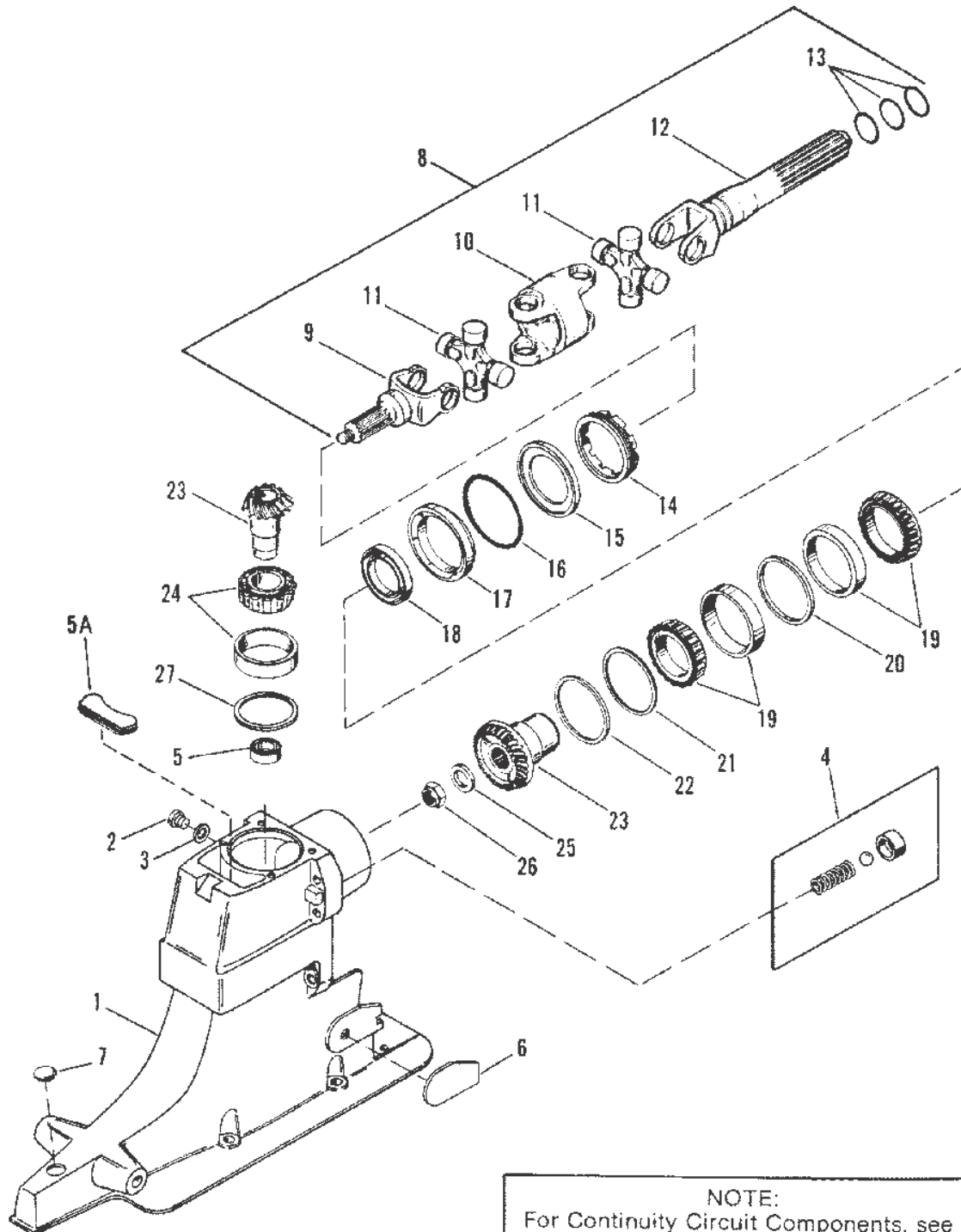
13835

Drive Shaft Housing And Drive Gears

Ref #	Part Class	Part Number	Description	Comments	Qty	Note
1	1547	815930A7	HOUSING ASSEMBLY Driveshaft		1	
2	0010	79953	SCREW (.375-16 x .250)		1	
3	0012	19183	WASHER Fiber		1	[1]
3	0025	805726	O-RING Rubber		OPT	[1]
4	0024	17997A1	SPRING KIT Rubber		1	
5	0026	66302	SEAL Oil	[0M400411] & Below	1	
5	0026	864319	SEAL Oil	[0M400412] & Up	1	[1]
5A	0000	821564	PLUG		1	
6	0000	814386	WEAR PAD Port		1	
6	0000	814387	WEAR PAD Starboard		1	
7	0019	32297	PLUG		1	
8	0000	59830A5	UNIVERSAL JOINT	(Coupling Yoke Has Two O-Rings) [D869999] & Below	1	
9	0000	46020T	YOKE Gear End	(Coupling Yoke Has Two O-Rings) [D869999] & Below	1	
10	0000	39383T	SOCKET Center	(Coupling Yoke Has Two O-Rings) [D869999] & Below	1	
11	0000	75832A3	CROSS AND BEARING	(Coupling Yoke Has Two O-Rings) [D869999] & Below	2	
12	0000	59830A7	YOKE ASSEMBLY Coupling End	(Coupling Yoke Has Two O-Rings) [D869999] & Below	1	
13	0025	25439	O-RING (.862 x .103)	(Coupling Yoke Has Two O-Rings) [D869999] & Below	2	[1]
8	0000	814819A2	UNIVERSAL JOINT	(Coupling Yoke Has Three O-Rings) [D870000] & Up	1	
9	0000	46020T	YOKE Gear End	(Coupling Yoke Has Three O-Rings) [D870000] & Up	1	
10	0000	39383T	SOCKET Center	(Coupling Yoke Has Three O-Rings) [D870000] & Up	1	
11	0000	805536A1	CROSS AND BEARING	(Coupling Yoke Has Three O-Rings) [D870000] & Up	2	
12	0000	814819A3	YOKE Coupler End	(Coupling Yoke Has Three O-Rings) [D870000] & Up	1	
13	0025	25439	O-RING (.862 x .103)	(Coupling Yoke Has Three O-Rings) [D870000] & Up	2	[1]
13	0025	35027	O-RING (1.046)		1	[1]
14	0000	8168111	RETAINER		1	
15	0000	35983	RING		1	
16	0025	70937	O-RING		1	[1]
17	0000	66081A2	CARRIER ASSEMBLY		1	
18	0026	823894	SEAL Oil		1	[1]
19	0031	35988A12	BEARING KIT Roller		1	
20	0023	35985	SPACER		1	
21	0015	35980A1	SHIM SET		AR	[2]
22	0015	71013	SHIM Spacer		1	

Drive Shaft Housing And Drive Gears

Drive Shaft Housing And Drive Gears



NOTE:
For Continuity Circuit Components, see page 3.

13835

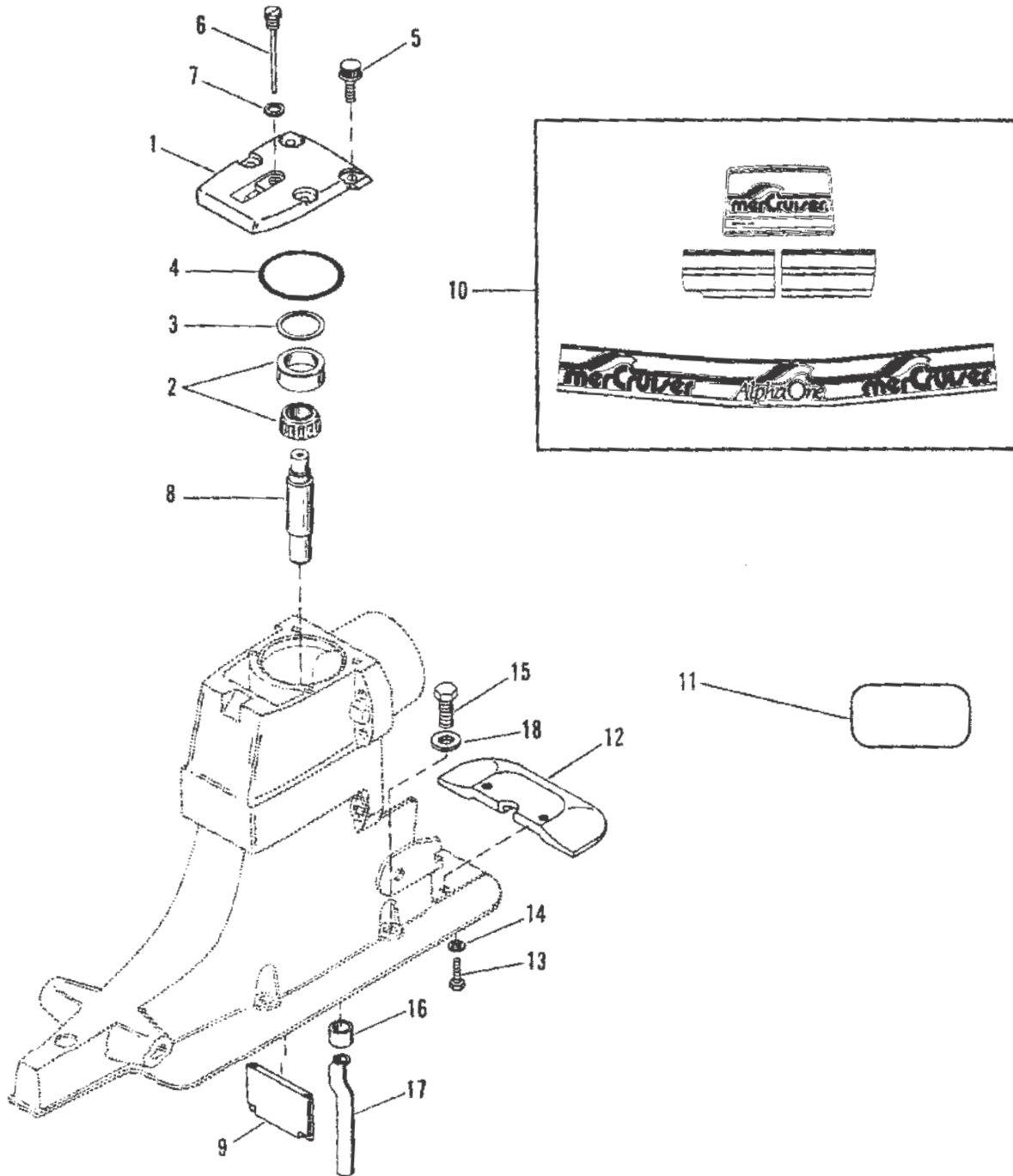
Drive Shaft Housing And Drive Gears

Ref #	Part Class	Part Number	Description	Comments	Qty	Note
23	0043	55778A3	GEAR KIT (2.40 Ratio)	(20-24 Gear Ratio)	AR	[2]
23	0043	55778A3	GEAR KIT (1.98 Ratio)	(20-24 Gear Ratio)	AR	[2]
23	0043	45814A5	GEAR KIT (1.65 Ratio)	(24-24 Gear Ratio)	AR	[2]
23	0043	75325A3	GEAR KIT (1.84 Ratio)	(17-19 Gear Ratio)	AR	[2]
23	0043	18411A2	GEAR KIT (1.50 Ratio)	(20-22 Gear Ratio)	AR	[2]
24	0031	35990A1	BEARING ASSEMBLY Roller		1	
24	0031	32573A1	BEARING ASSEMBLY Roller (1.50 Ratio Only)		1	
25	0012	45810	WASHER		1	
26	0011	22339	NUT (.625-18)		1	
27	0015	36178A1	SHIM SET		AR	[2]
28	0026	88397A1	SEAL KIT Driveshaft Housing		1	

PART NOTES:

- [1] - Component Of Drive Shaft Housing Seal Kit 88397A 1
 [2] - As Required

Drive Shaft Housing And Drive Shaft



13836

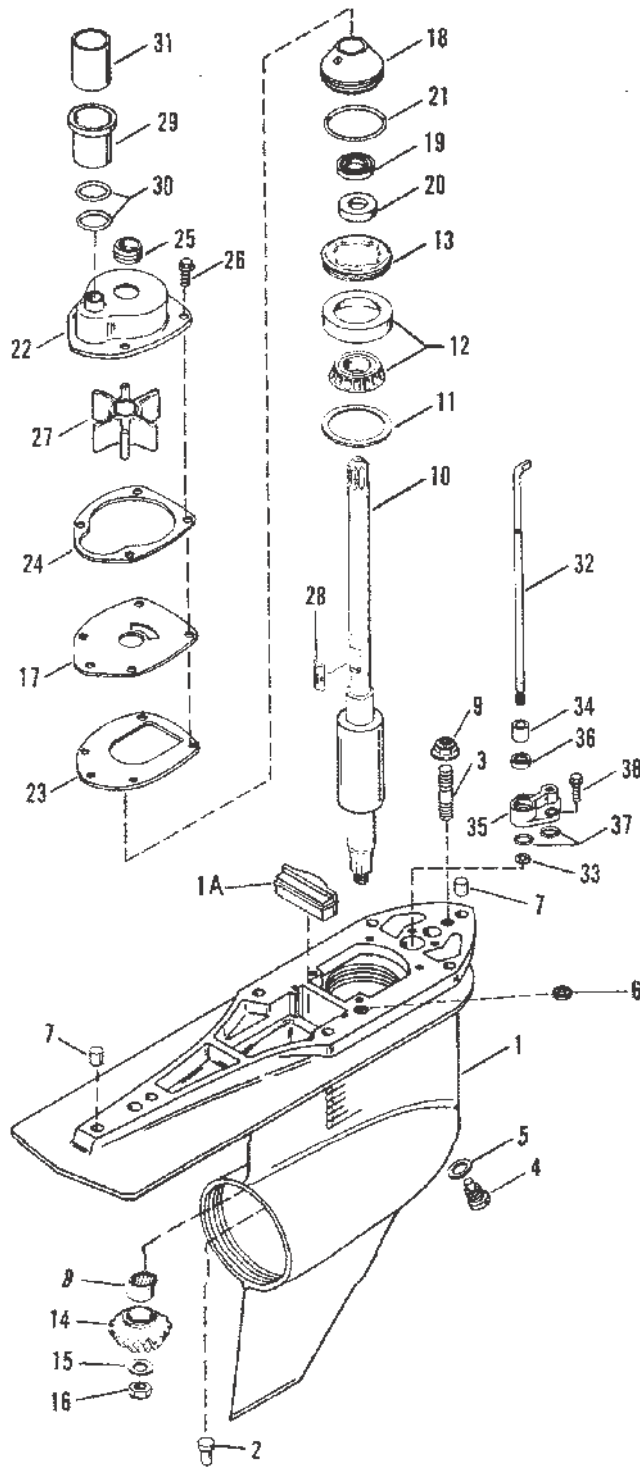
Drive Shaft Housing And Drive Shaft

Ref #	Part Class	Part Number	Description	Comments	Qty	Note
1	0000	18312A1	TOP COVER With Dipstick Hole		1	
1	0000	18312A3	TOP COVER With Out Dipstick Hole		1	
2	0031	61100A1	BEARING ASSEMBLY		1	
3	0015	45691A1	SHIM		AR	[1]
4	0025	32546	O-RING		1	[2]
5	0010	98794	SCREW (.375-16 x 1.00)		4	
6	0000	816610A1	DIPSTICK ASSEMBLY	(Old Design)	1	
7	0012	19183	WASHER Fiber	(Old Design)	1	
8	0045	557961	DRIVESHAFT Upper		1	
9	0000	815932	FILLER WALL		1	
10	0037	817387A91	DECAL SET		1	
11	0037	13722A11	DECAL SET Engine Model	(2.5L/3.0L)	1	
11	0037	13722A13	DECAL SET Engine Model	(4.3L/4.3L-LX/5.0L/5.0L-LX/5.7L)	1	
12	0000	821629A1	ANODE ASSEMBLY		1	[3]
13	0010	28668	SCREW (.250-20 x .875) Stainless Steel		2	
14	0013	78968	LOCKWASHER Internal (.250)		2	
15	0010	816601	SCREW (.437-20 x 1.500)		4	
16	0026	88397	SEAL		1	[2]
17	0032	814384	TUBE Water		1	
18	0012	45176	WASHER (.453 x .812 x .105) Stainless Steel		4	
19	0026	88397A1	SEAL KIT Driveshaft Housing		1	

PART NOTES:

- [1] - As Required
- [2] - Component Of Drive Shaft Housing Seal Kit 88397A 1
- [3] - Alternate part numbers:
- 821629A 1Service Part
 - 821629A 2Magnesium
 - 821629Q 1QS
 - 821629T 1MPP

Gear Housing Driveshaft - Standard Rotation



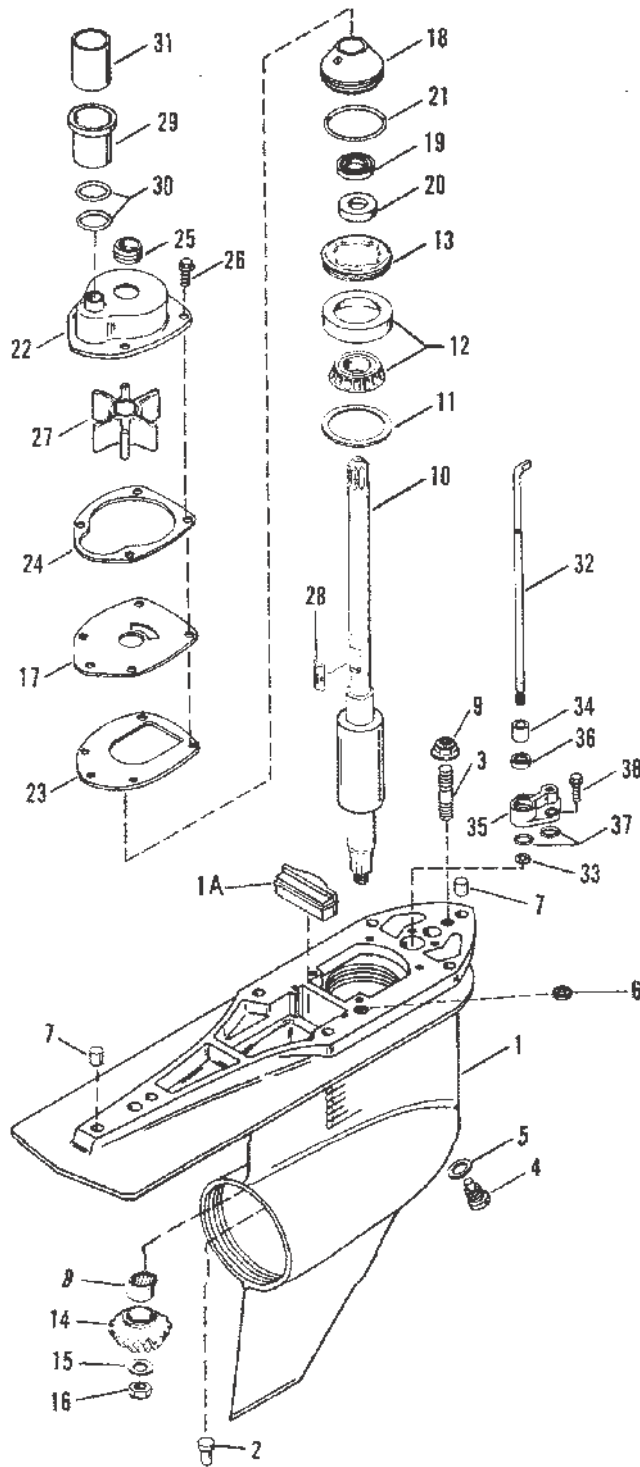
13837

Gear Housing Driveshaft - Standard Rotation

Ref #	Part Class	Part Number	Description	Comments	Qty	Note
-	1623	815822A5	GEAR HOUSING ASSEMBLY Complete		1	[1]
1	1623	815822A30	GEAR HOUSING ASSEMBLY		1	
1A	0000	821526	FILLER BLOCK		1	
2	0017	379721	PIN		1	
3	0016	57984	STUD (.437-14/.437-20 x 2.380)		1	
4	0010	14834A1	SCREW		1	
5	0012	19183	WASHER Fiber		1	[2]
5	0025	805726	O-RING Rubber		1	[2]
6	0026	45577	SEAL		1	[3]
7	0017	43044	PIN Dowel - Without Hole (.375 x .625)		2	
8	0031	42647A1	BEARING ASSEMBLY Roller		1	
9	0011	817618	NUT (.437-20)		1	
10	0045	816919	DRIVESHAFT	(1.50:1 And 1.65:1 Ratio)	1	
10	0045	816472	DRIVESHAFT	(1.84, 1.98, And 2.40 Ratio)	1	
11	0015	42637A1	SHIM SET		AR	
12	0031	36387A1	BEARING ASSEMBLY Roller/Cup		1	
13	0000	824519	RETAINER		1	
14	0043	17064A3	GEAR SET Standard (17/28 Teeth)	(Includes Pinion/Forward Gears)	1	
14	0043	13730A1	GEAR SET (2.40 Ratio) (14/28 Teeth)	(Includes Pinion/Forward/Reverse Gears)	1	
15	0012	92721	WASHER		1	
16	0011	35921	NUT (.625-18)		1	
17	0000	817276	FACEPLATE		1	[4]
18	0000	821759A2	CARRIER ASSEMBLY		1	[4]
19	0026	16977	SEAL Oil		1	[3]
20	0026	89238	SEAL Oil		1	[3]
21	0025	90011	O-RING (2.175 x .175)		1	[3]
22	0000	817275A1	HOUSING KIT Water Pump		1	[4]
23	0027	430331	GASKET		1	[4]
24	0027	817277	GASKET		1	[4]
25	0026	816575A2	SEAL KIT		1	[3]
26	0010	816928	SCREW (M6 x 16)		4	
27	0047	430262	IMPELLER		1	[4]
28	0028	43037	KEY		1	[4]
29	0000	816597A1	COUPLING ASSEMBLY		1	
30	0025	21836	O-RING (.796 x .139)		2	[3]
31	0023	816583	SLEEVE		1	
32	0000	815919A1	SHIFT SHAFT Lower		1	
33	0053	29641	E RING		1	
34	0023	67370	SLEEVE		1	
35	0023	815921A8	BUSHING ASSEMBLY		1	
36	0026	8164641	SEAL Oil		1	[5]

Gear Housing Driveshaft - Standard Rotation

Gear Housing Driveshaft - Standard Rotation



13837

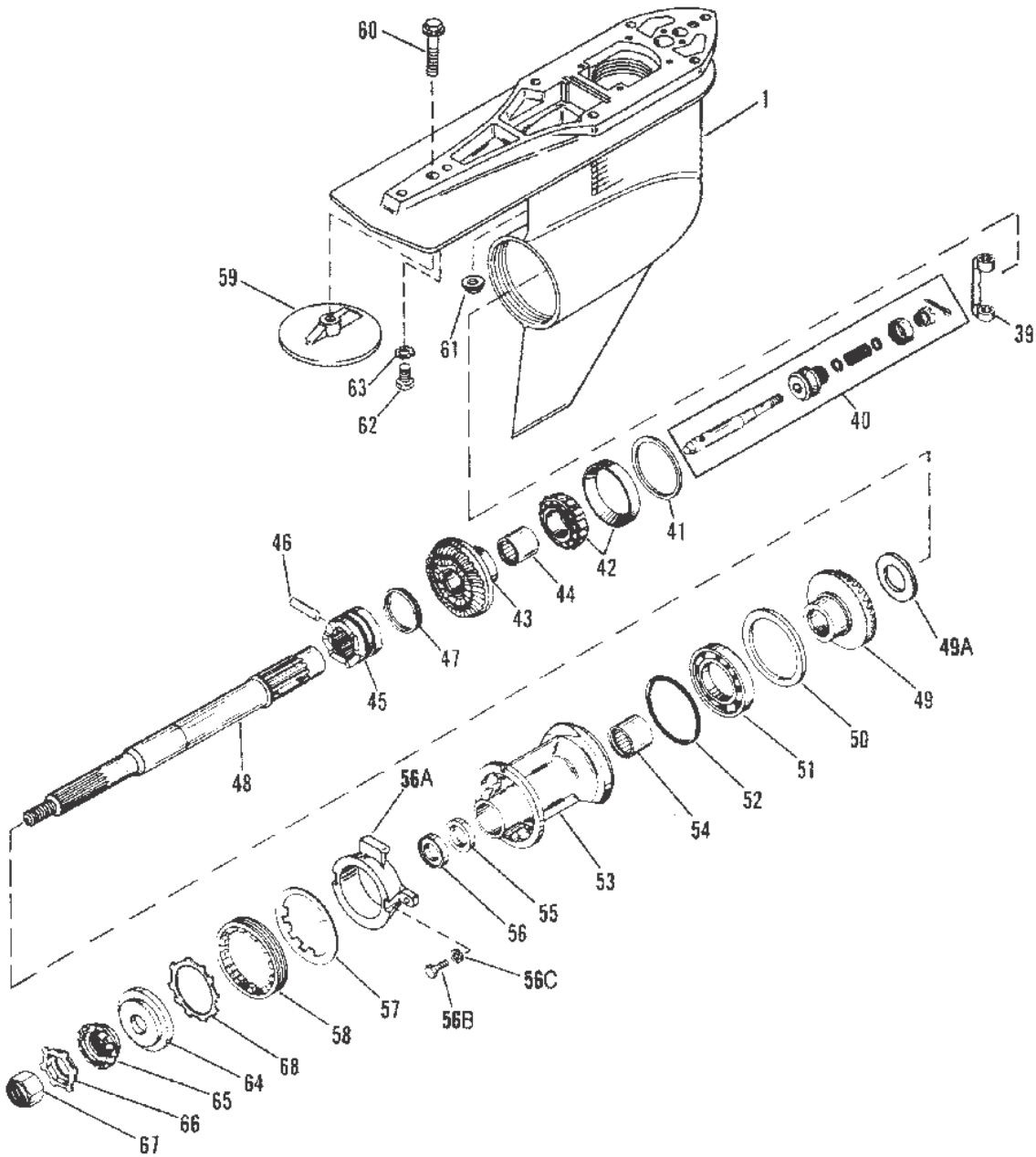
Gear Housing Driveshaft - Standard Rotation

Ref #	Part Class	Part Number	Description	Comments	Qty	Note
37	0025	36318	O-RING (.799)		2	[5]
38	0010	816928	SCREW (M6 x 16)		2	
-	0000	817275A4	REBUILD KIT Water Pump		1	[6]
-	0026	816575A3	SEAL KIT Gear Housing		1	

PART NOTES:

- [1] - Alternate part numbers:
 815822A 5QS
 815822R53Reman
- [2] - Component Of Water Pump Rebuild Kit 817275A 4
 Component Of Seal Kit 816575A 3
 Optional
- [3] - Component Of Water Pump Rebuild Kit 817275A 4
 Component Of Seal Kit 816575A 3
- [4] - Component Of Water Pump Rebuild Kit 817275A 4
- [5] - Component Of Seal Kit 816575A 3
- [6] - Alternate part numbers:
 817275A 4Service Part
 817275K05MPP
 817275Q05QS

Gear Housing Propeller Shaft - Standard Rotation



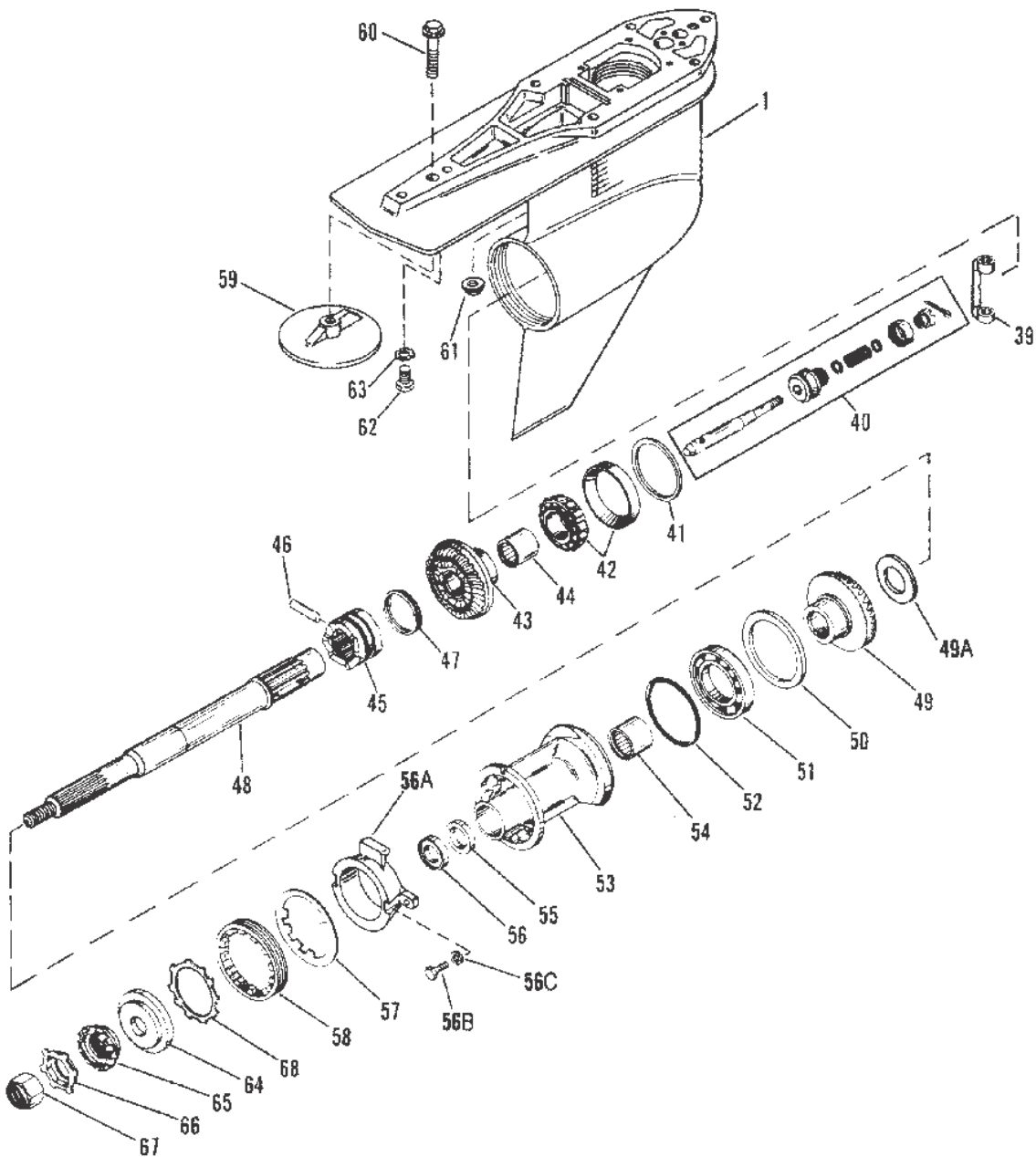
13838

Gear Housing Propeller Shaft - Standard Rotation

Ref #	Part Class	Part Number	Description	Comments	Qty	Note
-	1623	815822A5	GEAR HOUSING ASSEMBLY Complete		1	[1]
1	1623	815822A30	GEAR HOUSING ASSEMBLY		1	
39	0000	76865	CRANK Shift		1	
40	0000	19755A2	SHIFT SPOOL KIT		1	
41	0015	47397A1	SHIM SET		AR	[2]
42	0031	35928A1	BEARING ASSEMBLY Tapered Roller		1	
43		NSS	NOT SOLD SEPARATE Foward Gear	(See Previous Page - Reference #14)	1	
44	0031	30895	BEARING Needle		1	
45	0052	824112	SLIDING CLUTCH		1	
46	0017	30632	PIN Cross		1	
47	0024	30893	SPRING		1	
48	0044	660603	PROPELLER SHAFT		1	
49	0043	824109A1	GEAR ASSEMBLY Reverse	(Not Used With 2.40:1 Ratio)	1	
49A	0023	824108	SPACER		1	
50	0000	681001	RING Thrust		1	
51	0030	88957A1	BEARING Ball		1	
52	0025	31534	O-RING		1	[3]
53	0000	818763A10	CARRIER ASSEMBLY Bearing		1	
54	0031	30956	BEARING Needle		1	
55	0026	14077	SEAL Oil Inside		1	[3]
56	0026	12224	SEAL Fish Line Cutting Outside		1	[3]
56A	0000	806105A1	ANODE ASSEMBLY		1	[4]
56B	0010	806290	SCREW (#10-32 x .625)		2	
56C	0013	69432	LOCKWASHER External (#10)		2	
57	0014	18323	TAB WASHER		1	
58	0000	79448	RETAINER		1	
59	0000	76214A5	ANODE KIT		1	
59	0000	316404	TRIM TAB (1.98:1 Ratio Only)		1	[5]
60	0010	806327	SCREW (.437-14 x 1.750)		1	
61	0011	817618	NUT (.437-20)		4	
62	0010	65210	SCREW (.375-16 x 1.00)		1	
63	0013	35479	LOCKWASHER (.375)		1	
64	0000	13171	THRUST HUB		1	
65	0012	31211A2	WASHER Splined		1	[6]
66	0014	816629	TAB WASHER		1	[7]
67	0011	52707A1	PROP NUT KIT (.750-16)		1	[8]
68	0013	423511	LOCKWASHER Toothed		1	
-	0043	13730A1	GEAR SET	(2.4:1/14-28 Gear Ratio)	1	
-	0026	816575A3	SEAL KIT Gear Housing		1	

Gear Housing Propeller Shaft - Standard Rotation

Gear Housing Propeller Shaft - Standard Rotation



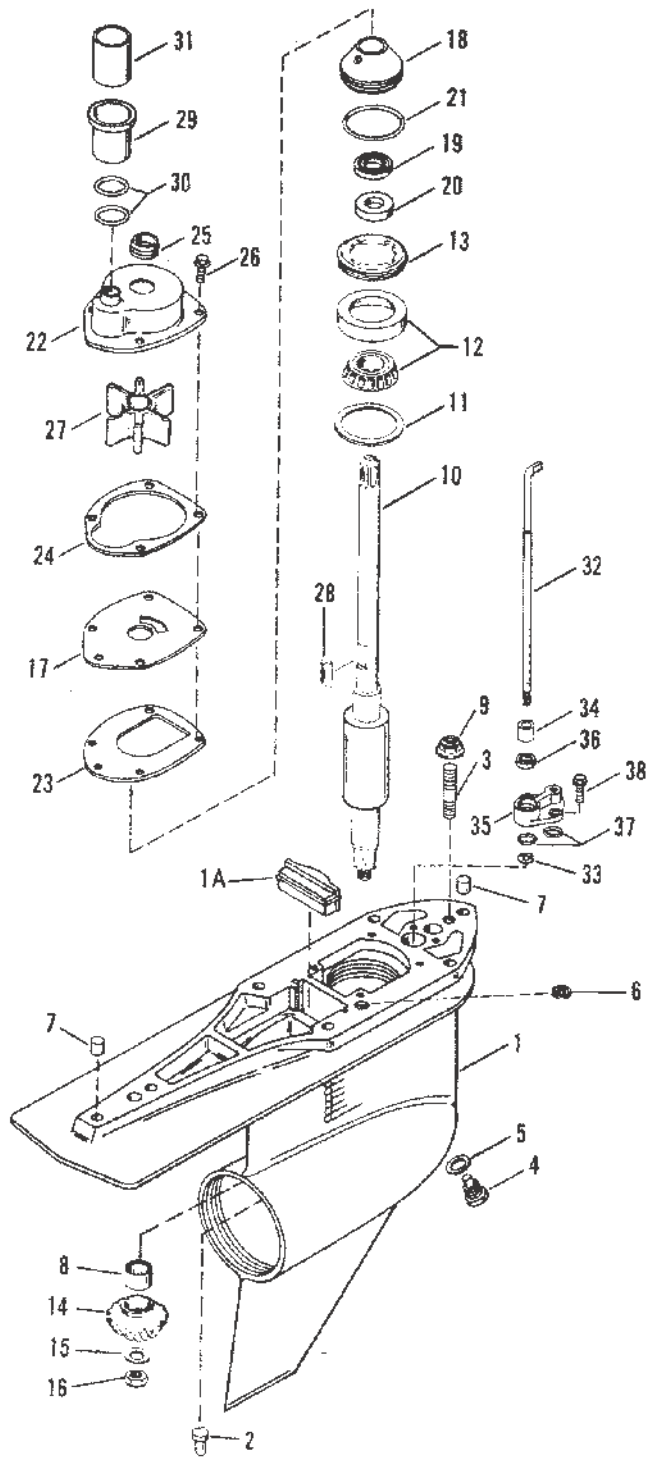
13838

Gear Housing Propeller Shaft - Standard Rotation

PART NOTES:

- [1] - Alternate part numbers:
 - 815822A 5QS
 - 815822R53Reman
- [2] - As Required
- [3] - Component Of Seal Kit 816575A 3
- [4] - Alternate part numbers:
 - 806105A 1Service Part
 - 806105Q 1QS
 - 806105T 1MPP
- [5] - Alternate part numbers:
 - 31640 4Service Part
 - 31640Q 4QS
 - 31640T 4MPP
 - 31640T 6Magnesium
 - 8M0059338Bulk Pack
- [6] - Alternate part numbers:
 - 31211A 2Service Part
 - 31211K03MPP
 - 31211Q03QS
- [7] - Alternate part numbers:
 - 816629Service Part
 - 816629KMPP
 - 816629QQS
- [8] - Alternate part numbers:
 - 52707A 1Service Part
 - 52707Q 1QS
 - 52707T 1MPP
 - 827614BBulk Pack

Gear Housing Driveshaft - Counter Rotation



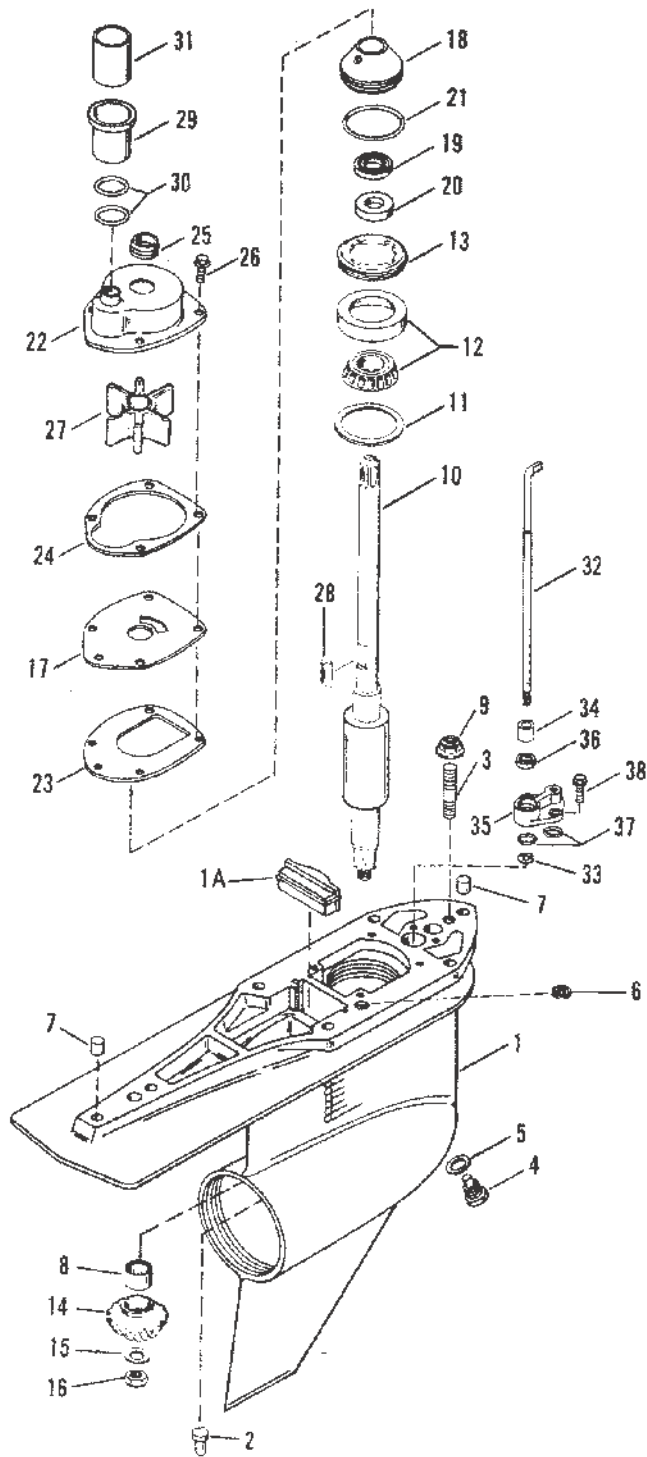
13839

Gear Housing Driveshaft - Counter Rotation

Ref #	Part Class	Part Number	Description	Comments	Qty	Note
-	1623	815822A7	GEAR HOUSING ASSEMBLY Complete		1	[1]
1	1623	815822A28	GEAR HOUSING ASSEMBLY		1	
1A	0000	821526	FILLER BLOCK		1	
2	0017	379721	PIN		1	
3	0016	57984	STUD (.437-14/.437-20 x 2.380)		1	
4	0010	14834A1	SCREW		1	
5	0012	19183	WASHER Fiber Optional	(Fiber)	1	[2]
5	0025	805726	O-RING Rubber Optional	(Rubber)	1	[2]
6	0026	45577	SEAL		1	[3]
7	0017	43044	PIN Dowel - Without Hole (.375 x .625)		2	
8	0031	42647A1	BEARING ASSEMBLY Roller		1	
9	0011	817618	NUT (.437-20)		1	
10	0045	816919	DRIVESHAFT		1	
11	0015	42637A1	SHIM SET		AR	[4]
12	0031	36387A1	BEARING ASSEMBLY Roller/Cup		1	
13	0000	824519	RETAINER		1	
14	0043	812975A5	GEAR SET Includes Pinion/Forward Gears		1	
15	0012	92721	WASHER		1	
16	0011	35921	NUT (.625-18)		1	
17	0000	817276	FACEPLATE		1	[5]
18	0000	821759A2	CARRIER ASSEMBLY		1	[5]
19	0026	16977	SEAL Oil		1	[3]
20	0026	89238	SEAL Oil		1	[3]
21	0025	90011	O-RING (2.175 x .175)		1	[3]
22	0000	817275A1	HOUSING KIT Water Pump		1	[5]
23	0027	430331	GASKET		1	[5]
24	0027	817277	GASKET		1	[5]
25	0026	816575A2	SEAL KIT		1	[3]
26	0010	816928	SCREW (M6 x 16)		4	
27	0047	430262	IMPELLER		1	[5]
28	0028	43037	KEY		1	[6]
29	0000	816597A1	COUPLING ASSEMBLY		1	
30	0025	21836	O-RING (.796 x .139)		2	[3]
31	0023	816583	SLEEVE		1	
32	0000	815919A1	SHIFT SHAFT Lower		1	
33	0053	29641	E RING		1	
34	0023	67370	SLEEVE		1	
35	0023	815921A8	BUSHING ASSEMBLY		1	
36	0026	8164641	SEAL Oil		1	[7]
37	0025	36318	O-RING (.799)		2	[7]
38	0010	816928	SCREW (M6 x 16)		2	
-	0000	817275A4	REBUILD KIT Water Pump		1	[8]
-	0026	816575A3	SEAL KIT Gear Housing		1	

Gear Housing Driveshaft - Counter Rotation

Gear Housing Driveshaft - Counter Rotation



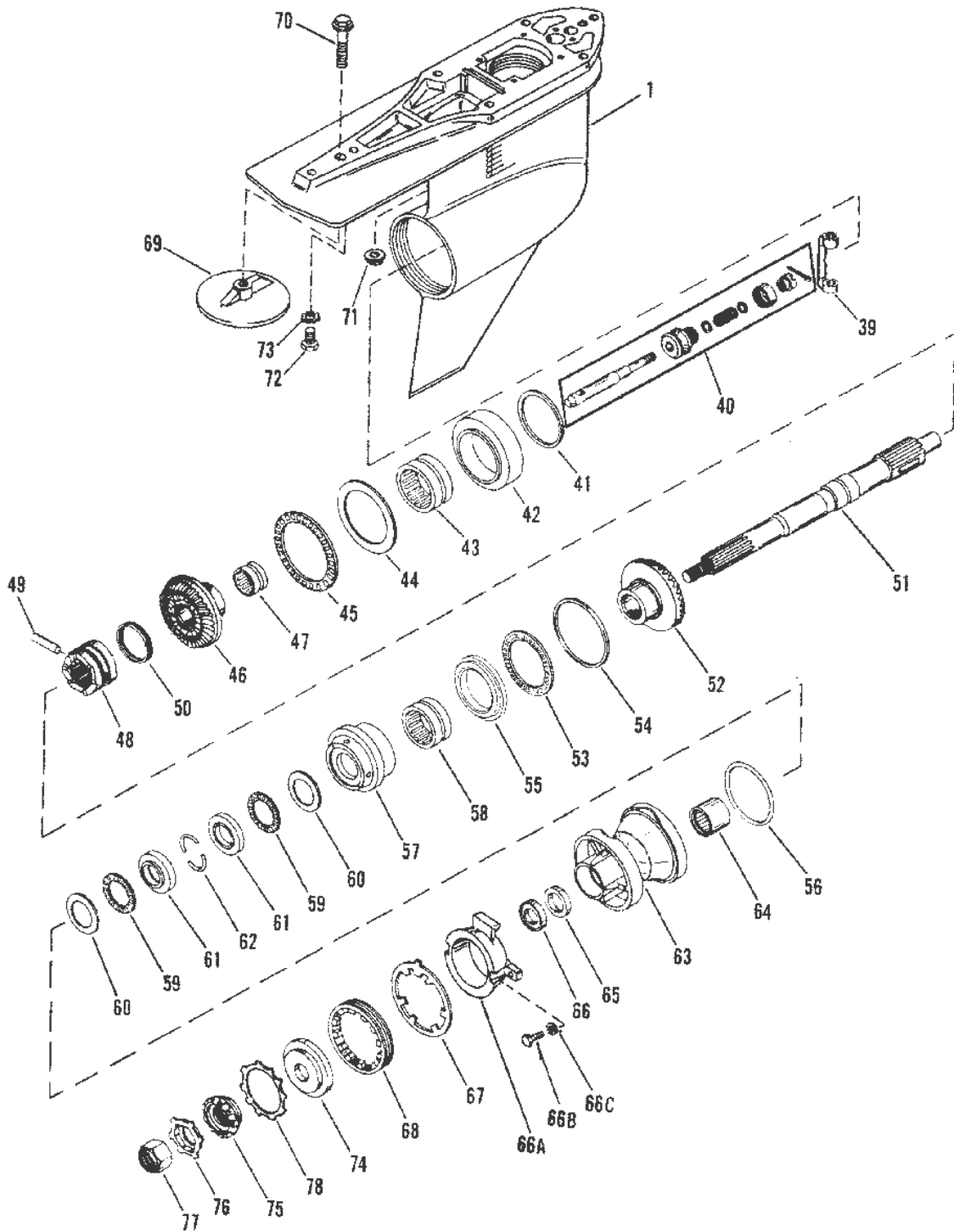
13839

Gear Housing Driveshaft - Counter Rotation

PART NOTES:

- [1] - Alternate part numbers:
815822A 7QS
815822R47Reman
- [2] - Component Of Water Pump Rebuild Kit 817275A 4
Component Of Seal Kit 816575A 3
Optional
- [3] - Component Of Water Pump Rebuild Kit 817275A 4
Component Of Seal Kit 816575A 3
- [4] - As Required
- [5] - Component Of Water Pump Rebuild Kit 817275A 4
- [6] - Replacement Gimbal Housing Assy, Complete- Includes Bell Housing, Gimbal Ring, Trim Cylinder, Etc.
- [7] - Component Of Seal Kit 816575A 3
- [8] - Alternate part numbers:
817275A 4Service Part
817275K05MPP
817275Q05QS

Gear Housing Propeller Shaft - Counter Rotation



13840

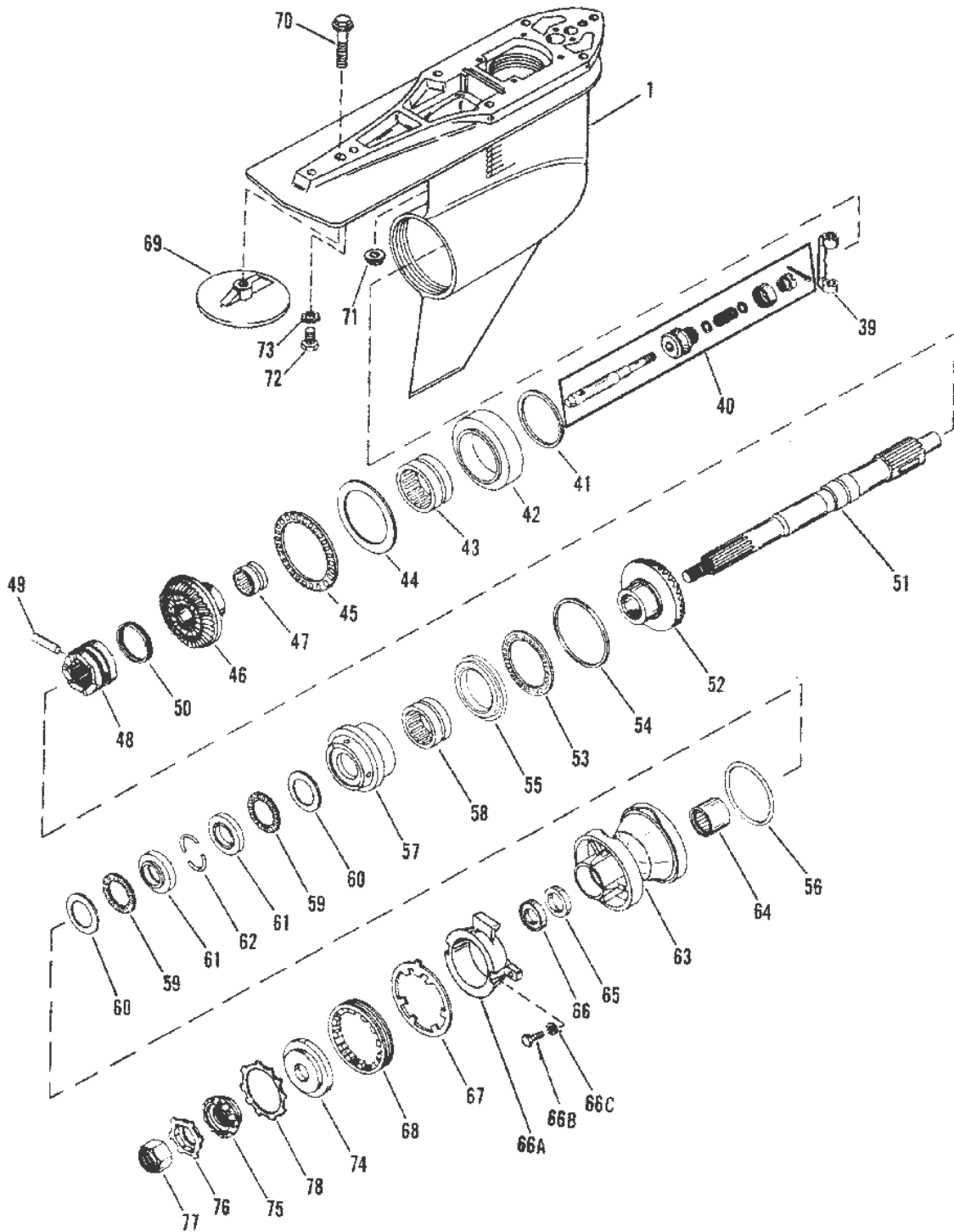
Gear Housing Propeller Shaft - Counter Rotation

Gear Housing Propeller Shaft - Counter Rotation

Ref #	Part Class	Part Number	Description	Comments	Qty	Note
-	1623	815822A7	GEAR HOUSING ASSEMBLY Complete		1	[1]
1	1623	815822A28	GEAR HOUSING ASSEMBLY		1	
39	0000	76865	CRANK Shift		1	
40	0000	19755A2	SHIFT SPOOL KIT		1	
41	0015	47397A1	SHIM SET		AR	[2]
42	0000	815362A1	ADAPTER ASSEMBLY Bearing		1	
42	0000	828830A2	ADAPTER ASSEMBLY Bearing (Used In Generation II Service Replacement Gear Housings.)		1	
43	0031	814653	BEARING ASSEMBLY Needle Rollers		1	
44	0012	815481	THRUST WASHER		1	
45	0031	815480	BEARING Thrust		1	
46	0043	824700A1	GEAR ASSEMBLY Reverse		1	
47	0031	815482	BEARING Roller		1	
48	0052	824112	SLIDING CLUTCH		1	
49	0017	30632	PIN Cross		1	
50	0024	30893	SPRING		1	
51	0044	8146061	PROPELLER SHAFT		1	
51	0044	824111	PROPELLER SHAFT (Used In Generation II Service Replacement Gear Housings.)		1	
52		NSS	NOT SOLD SEPARATE Foward Gear (See Previous Assembly - Reference #14)		1	
53	0031	15841	BEARING Roller		1	
54	0023	1761514	SPACER SHIM (.206)		AR	[2]
54	0023	1761515	SPACER SHIM (.208)		AR	[2]
54	0023	1761516	SPACER SHIM (.210)		AR	[2]
54	0023	1761517	SPACER SHIM (.212)		AR	[2]
54	0023	1761518	SPACER SHIM (.214)		AR	[2]
54	0023	1761519	SPACER SHIM (.216)		AR	[2]
54	0023	1761520	SPACER SHIM (.218)		AR	[2]
54	0023	1761521	SPACER SHIM (.220)		AR	[2]
54	0023	1761522	SPACER SHIM (.222)		AR	[2]
54	0023	1761523	SPACER SHIM (.224)		AR	[2]
54	0023	1761524	SPACER SHIM (.226)		AR	[2]
54	0023	1761525	SPACER SHIM (.228)		AR	[2]
54	0023	1761526	SPACER SHIM (.230)		AR	[2]
55	0012	17616	THRUST RING		1	
55	0012	815481	THRUST WASHER (Used In Generation II Service Replacemtn Gear Housings.)		1	
56	0025	31534	O-RING		1	[3]
57	0000	814604A1	ADAPTER ASSEMBLY Bearing		1	
57	0000	828831A3	ADAPTER ASSEMBLY Bearing (Used In Generation II Service Replacement Gear Housings.)		1	

Gear Housing Propeller Shaft - Counter Rotation

Gear Housing Propeller Shaft - Counter Rotation



13840

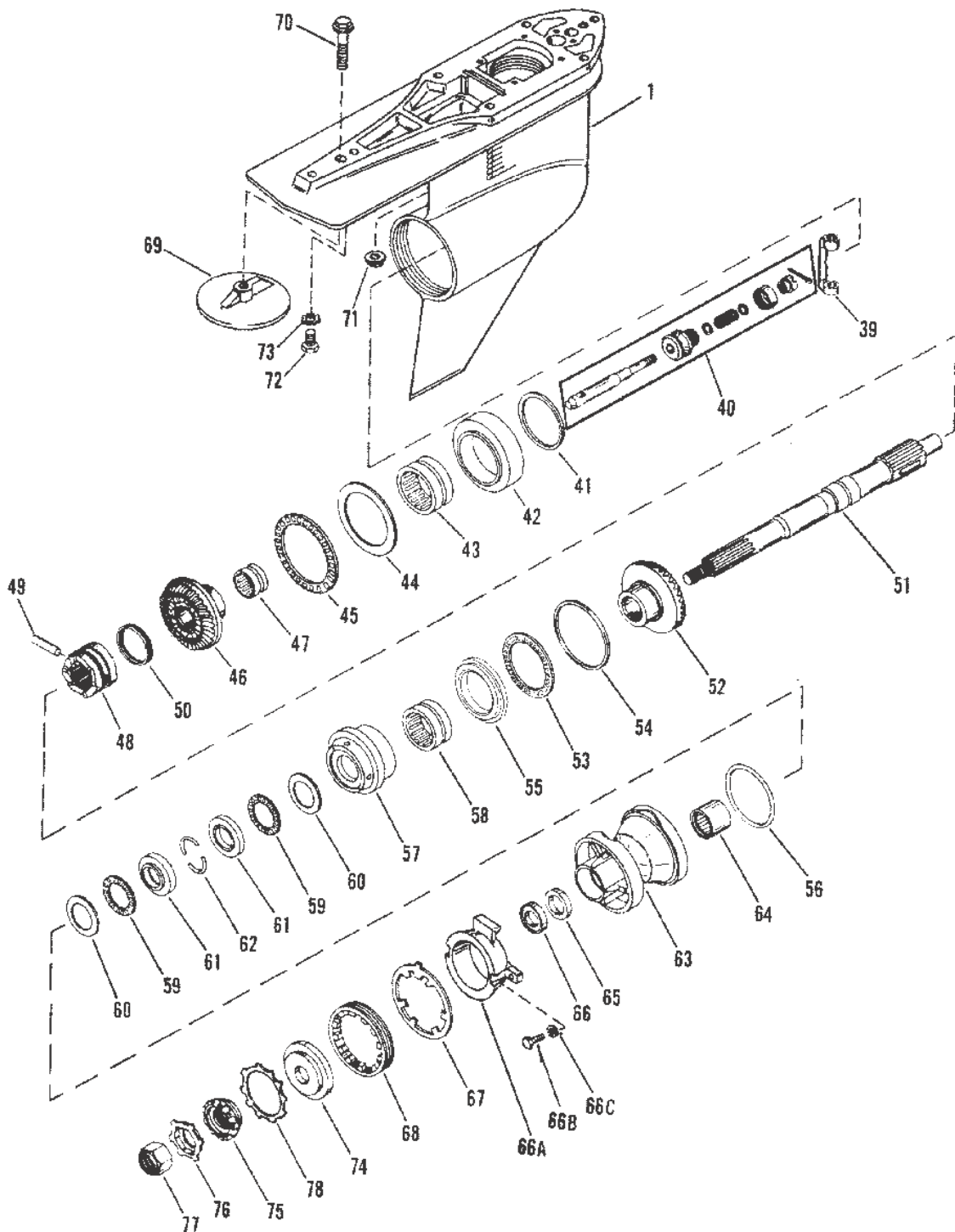
Gear Housing Propeller Shaft - Counter Rotation

Ref #	Part Class	Part Number	Description	Comments	Qty	Note
58	0031	814653	BEARING ASSEMBLY Needle Rollers		1	
59	0031	15842	BEARING Thrust		2	
60	0012	18448	THRUST WASHER		2	
61	0000	815570	THRUST RACE		2	
62	0000	814605	KEEPER		2	
63	0000	14587A7	CARRIER ASSEMBLY Bearing		1	
63	0000	818290A6	CARRIER ASSEMBLY Bearing (Used In Generation II Service Replacement Gear Housings.)		1	
64	0031	30956	BEARING Needle		1	
65	0026	14077	SEAL Oil Inside		1	[3]
66	0026	12224	SEAL Fish Line Cutting Outside		1	[3]
66A	0000	806105A1	ANODE ASSEMBLY		1	[4]
66B	0010	806290	SCREW (#10-32 x .625)		2	
66C	0013	69432	LOCKWASHER External (#10)		2	
67	0014	18323	TAB WASHER		1	
68	0000	79448	RETAINER		1	
69	0000	76214A5	ANODE KIT		1	
69	0000	316404	TRIM TAB (1.98:1 Ratio Only)		1	[5]
70	0010	806327	SCREW (.437-14 x 1.750)		1	
71	0011	817618	NUT (.437-20)		4	
72	0010	65210	SCREW (.375-16 x 1.00)		1	
73	0013	35479	LOCKWASHER (.375)		1	
74	0000	13171	THRUST HUB		1	
75	0012	31211A2	WASHER Splined		1	[6]
76	0014	816629	TAB WASHER		1	[7]
77	0011	52707A1	PROP NUT KIT (.750-16)		1	[8]
78	0013	423511	LOCKWASHER Toothed		1	
-	0026	816575A3	SEAL KIT Gear Housing		1	

PART NOTES:

- [1] - Alternate part numbers:
815822A 7QS
815822R47Reman
- [2] - As Required
- [3] - Component Of Seal Kit 816575A 3
- [4] - Alternate part numbers:
806105A 1Service Part
806105Q 1QS
806105T 1MPP

Gear Housing Propeller Shaft - Counter Rotation

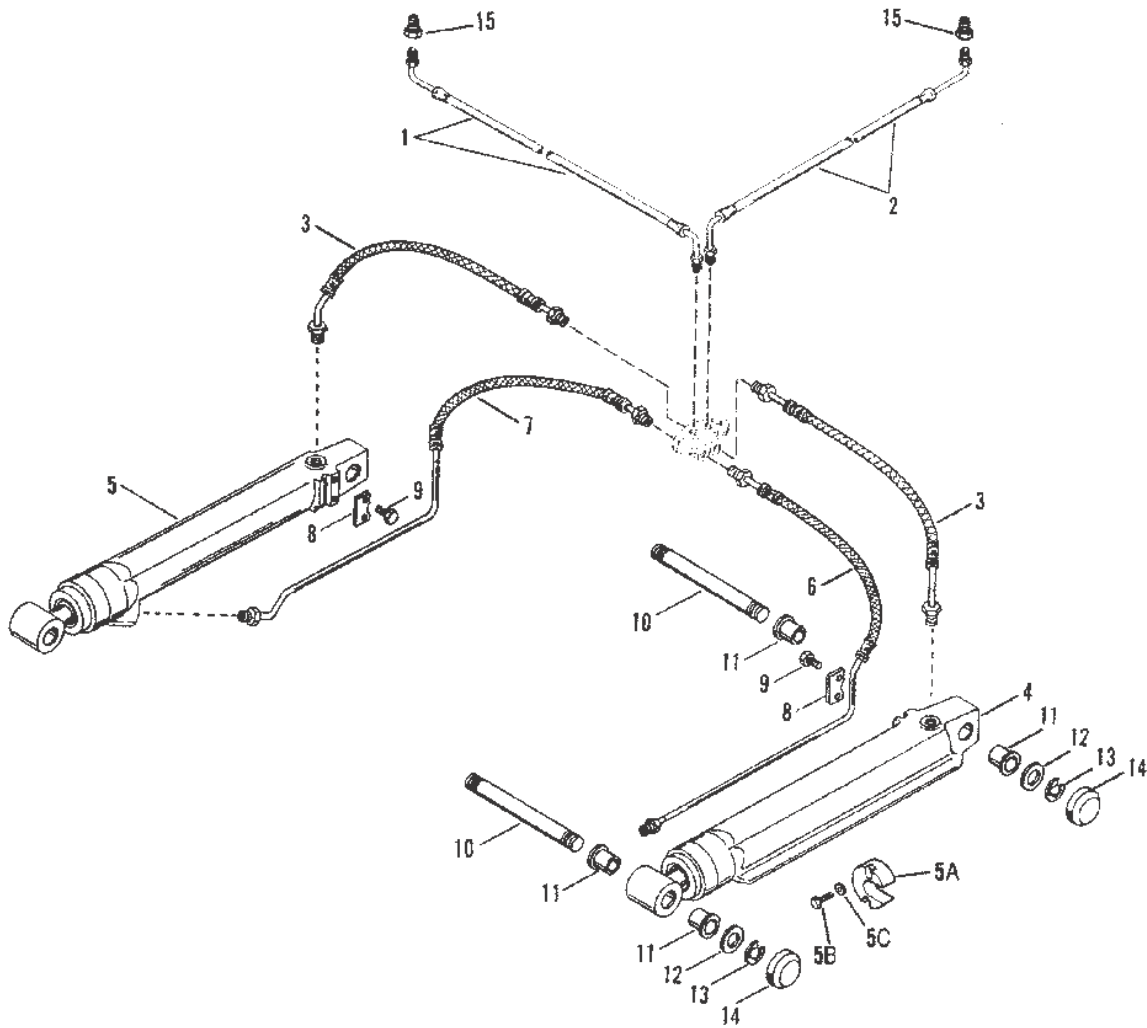


13840

Gear Housing Propeller Shaft - Counter Rotation

- [5] - Alternate part numbers:
 - 31640 4Service Part
 - 31640Q 4QS
 - 31640T 4MPP
 - 31640T 6Magnesium
 - 8M0059338Bulk Pack
- [6] - Alternate part numbers:
 - 31211A 2Service Part
 - 31211K03MPP
 - 31211Q03QS
- [7] - Alternate part numbers:
 - 816629Service Part
 - 816629KMPP
 - 816629QQS
- [8] - Alternate part numbers:
 - 52707A 1Service Part
 - 52707Q 1QS
 - 52707T 1MPP
 - 827614BBulk Pack

Trim Cylinders And Hydraulic Hoses



13841

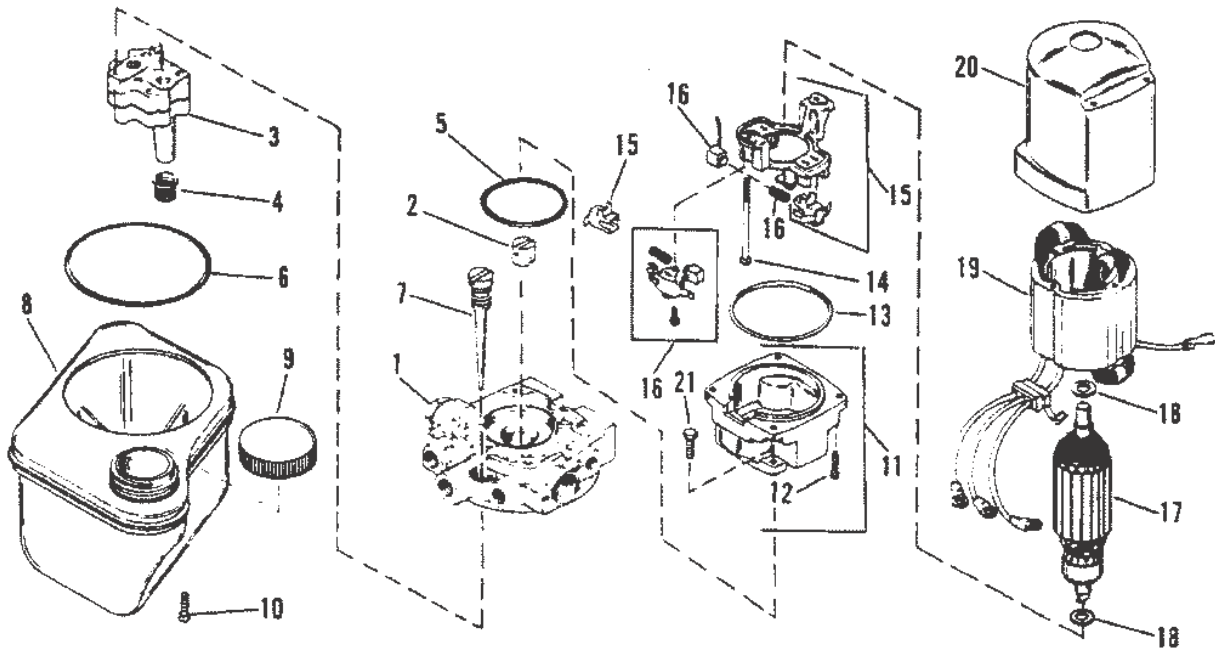
Trim Cylinders And Hydraulic Hoses

Ref #	Part Class	Part Number	Description	Comments	Qty	Note
1	0032	95858	HOSE Black Connector To Pump (Black)		1	
2	0032	95859	HOSE Gray Connector To Pump (Gray)		1	
3	0032	99904	HOSE Trim Cylinder To Connector		2	[1]
4	0000	815954A7	TRIM CYLINDER ASSEMBLY Starboard		1	
5	0000	815935A7	TRIM CYLINDER ASSEMBLY Port		1	
-	0000	87399A3	OVERHAUL KIT		2	
-	0025	87400A2	SEAL KIT		2	
5A	0000	806189A1	ANODE ASSEMBLY		2	[2]
5B	0010	806290	SCREW (#10-32 x .625)		4	
5C	0013	69432	LOCKWASHER External (#10)		4	
6	0032	999021	HOSE Trim Cylinder Starboard		1	
7	0032	999031	HOSE Trim Cylinder Port		1	
8	0000	85060	PLATE		2	
9	0010	85486	SCREW (.250-20 x .380) Stainless Steel		4	
10	0017	815953	PIN		2	[3]
11	0023	815950	BUSHING		8	
12	0012	815952	WASHER		4	
13	0053	815949	E RING		4	
14	0019	815951	CAP		4	
15	0022	805118	FITTING (.4375 UNS x .4375 Inverted Flare)	(With Out Screen)	2	
15	0022	808727	CONNECTOR (.50-20 UNF To .4375-24 Inverted Flare)	(With Screen)	2	

PART NOTES:

- [1] - Alternate part numbers:
 99904Service Part
 99904KMPP
 99904QQS
- [2] - Alternate part numbers:
 806189A 1Service Part
 806189A 2Magnesium
 806189Q 1QS
 806189T 1MPP
 8M0059341Bulk Pack
- [3] - Alternate part numbers:
 815953Service Part
 8M0065070Kit

Hydraulic Pump

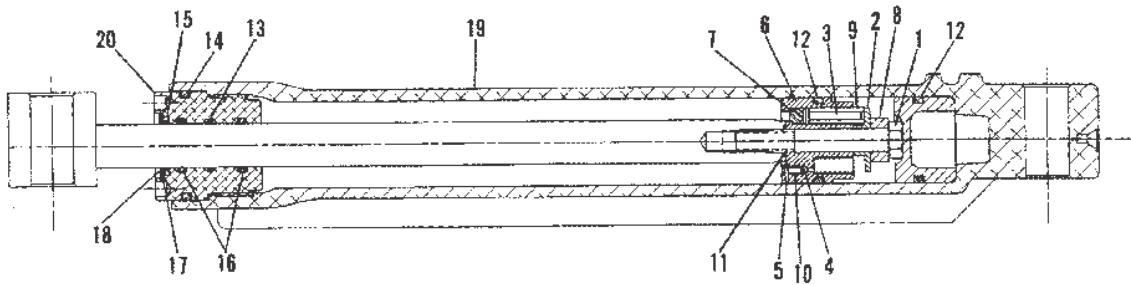


13842

Hydraulic Pump

Ref #	Part Class	Part Number	Description	Comments	Qty	Note
-	0000	14336A8	PUMP/MOTOR ASSEMBLY		1	
1	0000	18528	ADAPTER With Out Screen Connectors		1	
1	0000	808728	ADAPTER With Screen Connectors		1	
2	0000	89493	COUPLING		1	
3	0000	18529	PUMP ASSEMBLY Included Screws		1	
4	0035	89496	FILTER		1	
5	0025	89498	O-RING Motor End		1	
6	0025	17645	O-RING Reservoir End		1	
7	0000	41218	DIPSTICK		1	
8	0000	18525A1	RESERVOIR		1	
9	0036	18526	CAP Oil Reservoir With Vent Holes		1	
10	0010	18527	SCREW Includes O-Rings		1	
-	0000	17649	MOTOR		1	
11	0000	17632	END CAP ASSEMBLY		1	
12	0010	17626	SCREW		4	
13	0025	17625	O-RING		1	
14	0010	17621	SCREW		2	
15	0000	17633	HOLDER KIT		1	
16	0000	17631A1	BRUSH KIT		1	
17	0000	17623	ARMATURE		1	
18	0012	17653	WASHER		2	
19	0000	17624	FIELD AND FRAME ASSEMBLY		1	
20	0000	17622	COVER ASSEMBLY		1	
21	0010	823444	SCREW		2	
-	0000	812498A1	VALVE KIT Relief	(Repair Kit)	-	
-	0000	812499A1	VALVE KIT Relief	(Repair Kit)	-	
-	0000	95353A1	VALVE KIT Thermal Relief	(Repair Kit)	-	
-	0000	18545A1	REPAIR KIT	(Repair Kit)	-	

Power Trim Cylinder Repair Kits



13843

RESOURCE NOTES:

Do Not Substitute O-Rings As These Are Of Special Manufactured Material.

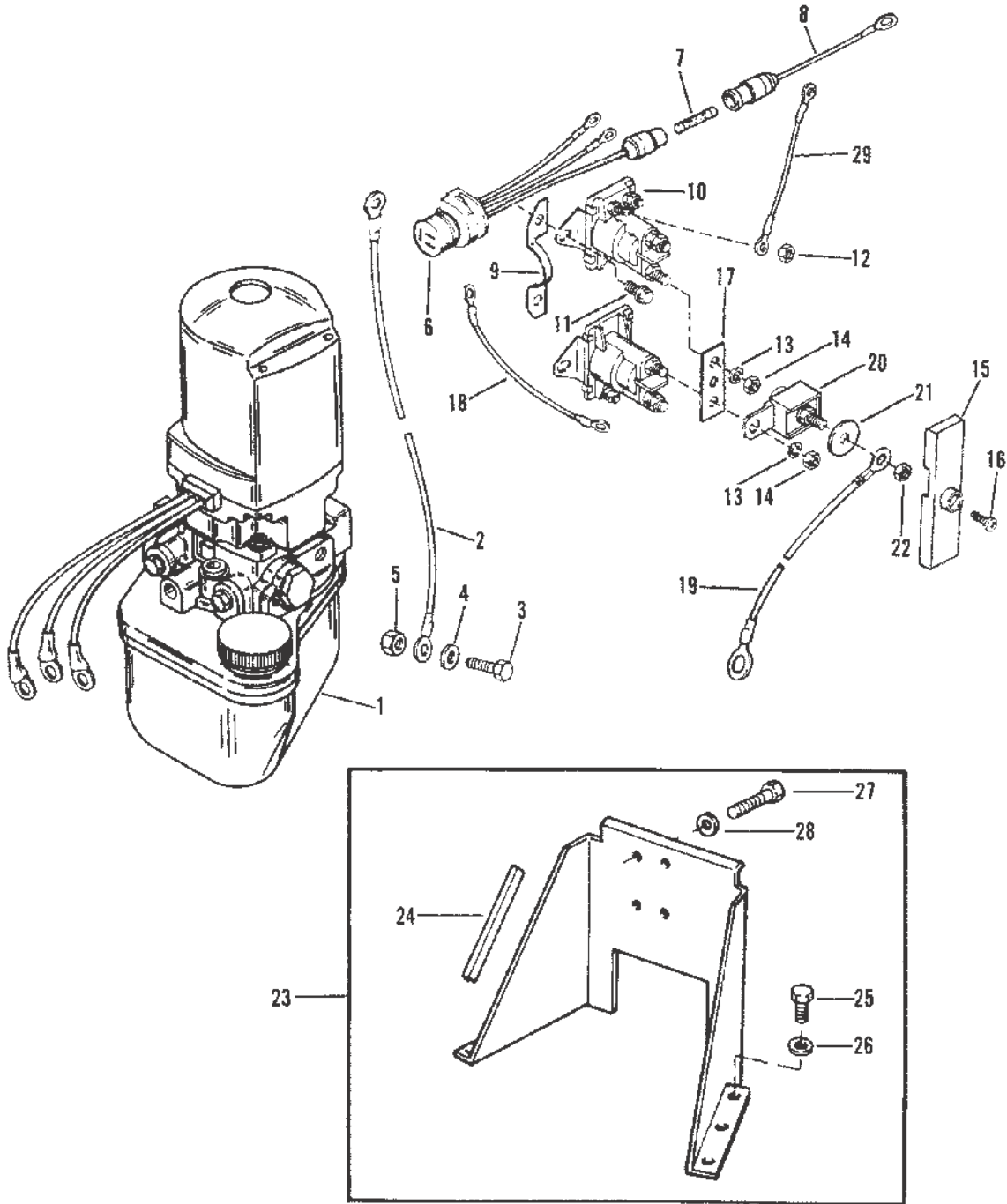
Power Trim Cylinder Repair Kits

Ref #	Part Class	Part Number	Description	Comments	Qty	Note
-	0000	87399A3	OVERHAUL KIT		1	
1		NSS	NOT SOLD SEPARATE Screw		1	[1]
2		NSS	NOT SOLD SEPARATE Spring Seat		1	[1]
3		NSS	NOT SOLD SEPARATE Valve Seat		3	[1]
4		NSS	NOT SOLD SEPARATE Steel Ball (.109 Diameter)		1	[1]
5		NSS	NOT SOLD SEPARATE Spring Pin		1	[1]
6		NSS	NOT SOLD SEPARATE Shock Piston		1	[1]
7		NSS	NOT SOLD SEPARATE Steel Ball (.250 Diameter)		3	[1]
8		NSS	NOT SOLD SEPARATE Spacer		1	[1]
9		NSS	NOT SOLD SEPARATE Compression Spring		3	[1]
10		NSS	NOT SOLD SEPARATE Spring		1	[1]
-	0025	87400A2	SEAL KIT		1	
11		NSS	NOT SOLD SEPARATE O-Ring		1	[1]
12		NSS	NOT SOLD SEPARATE O-Ring		2	[1]
13		NSS	NOT SOLD SEPARATE Spring		2	[1]
14		NSS	NOT SOLD SEPARATE O-Ring		1	[1]
15		NSS	NOT SOLD SEPARATE Scraper Rod		1	[1]
16		NSS	NOT SOLD SEPARATE O-Ring		2	[1]
17		NSS	NOT SOLD SEPARATE Washer		1	[1]
18		NSS	NOT SOLD SEPARATE Retaining Ring		1	[1]
18	0000	815935T	TUBE Port Cylinder		1	
19	0000	815954T	TUBE Starboard Cylinder		1	
20	0000	806191T	CAP Rod End		2	

PART NOTES:

[1] - Not Sold Separately

Hydraulic Pump And Bracket



13844

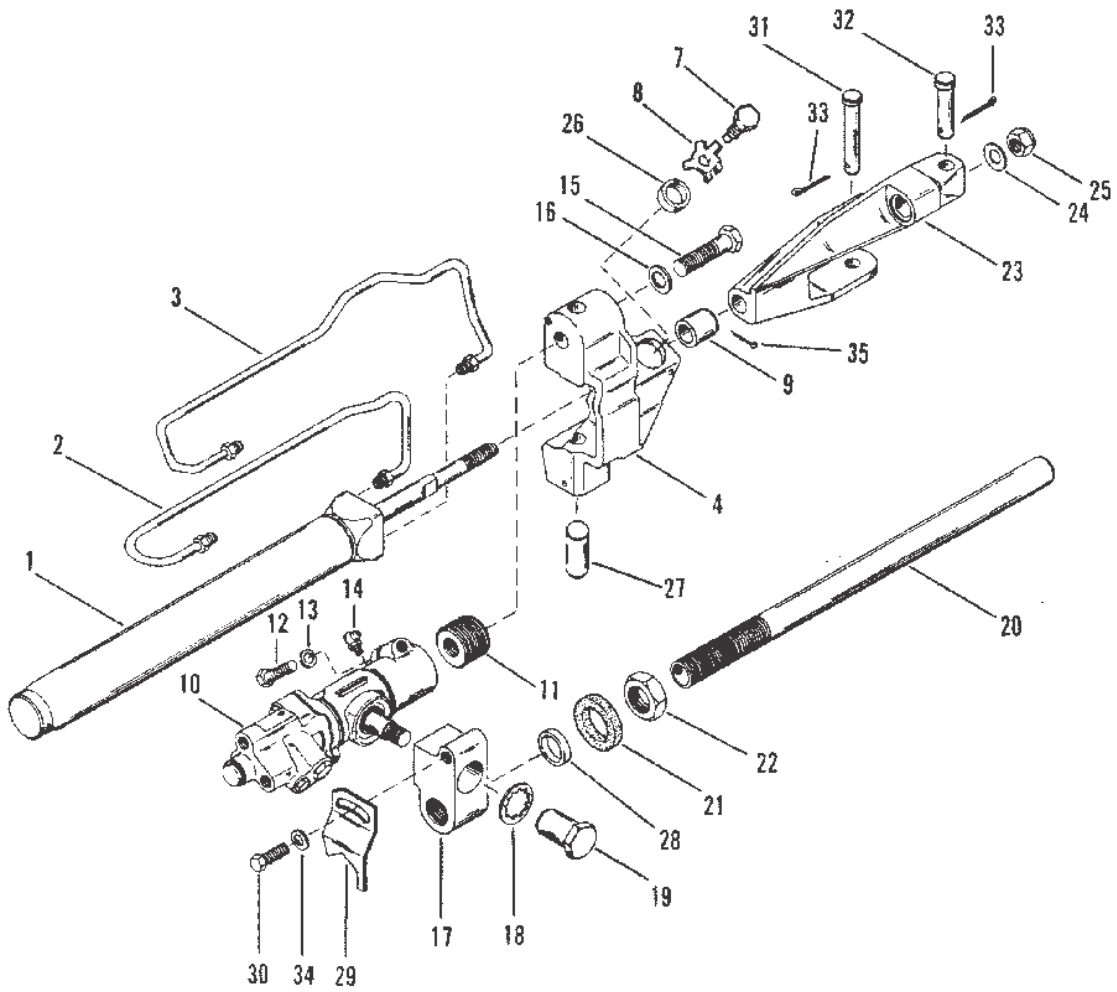
RESOURCE NOTES:

Complete Hydraulic Pump 14336A 9 (Includes All Part On This Page)

Hydraulic Pump And Bracket

Ref #	Part Class	Part Number	Description	Comments	Qty	Note
-	0000	14336A9	PUMP ASSEMBLY Trim	(Includes All Parts Listed On This Page)	1	
1	0000	14336A8	PUMP/MOTOR ASSEMBLY		1	
2	0084	79138A9	CABLE ASSEMBLY (6.00 Feet) Black-Negative		1	
3	0010	90285	SCREW (.312-18 x .625)		1	
4	0012	56720	WASHER (.330 x .750 x .060) Stainless Steel		1	
5	0011	68292	NUT (.312-18)		1	
6	0084	79147A3	HARNESS ASSEMBLY		1	
7	0088	79091	FUSE 20 Ampere		1	
8	0084	95084A2	CABLE ASSEMBLY		1	
9	0000	88075	RETAINER		1	
10	0089	96158	SOLENOID Starter		2	
11	0010	41508	SCREW (.250-20 x .500) Stainless Steel		4	
12	0011	26419	NUT (#8-32) Brass		4	
13	0013	26992	LOCKWASHER (.250) Stainless Steel		4	
14	0011	94330	NUT (.250-20) Brass		4	
15	0085	96535	BOOT		1	
16	0010	48409	SCREW (#10-16 x .625) Stainless Steel		1	
17	0000	94275	LINK		1	
18	0084	86322A15	CABLE ASSEMBLY (5.50 Inches) Black		2	
19	0084	79139A12	CABLE ASSEMBLY Red-Positive		1	
20	0088	79023A10	FUSE ASSEMBLY 110 Ampere		1	
21	0012	96457	WASHER Phenolic (.27 x .81 x .062)		1	
22	0011	21825	NUT (.250-28)		1	
23	0000	42419A1	BRACKET ASSEMBLY Floor Mounted		1	
24	0000	58491	CHANNEL Rubber (4.00 Inches)		2	
25	0010	59784	SCREW (.250-10 x 1.00)		6	
26	0012	29245	WASHER (.281 x .500 x .060) Stainless Steel		6	
27	0010	35386	SCREW (.312-18 x 1.00)		2	
28	0013	39107	LOCKWASHER (.312-24)		2	
29	0084	86322A24	CABLE ASSEMBLY (4.00 Inches)		1	

Power Steering Components

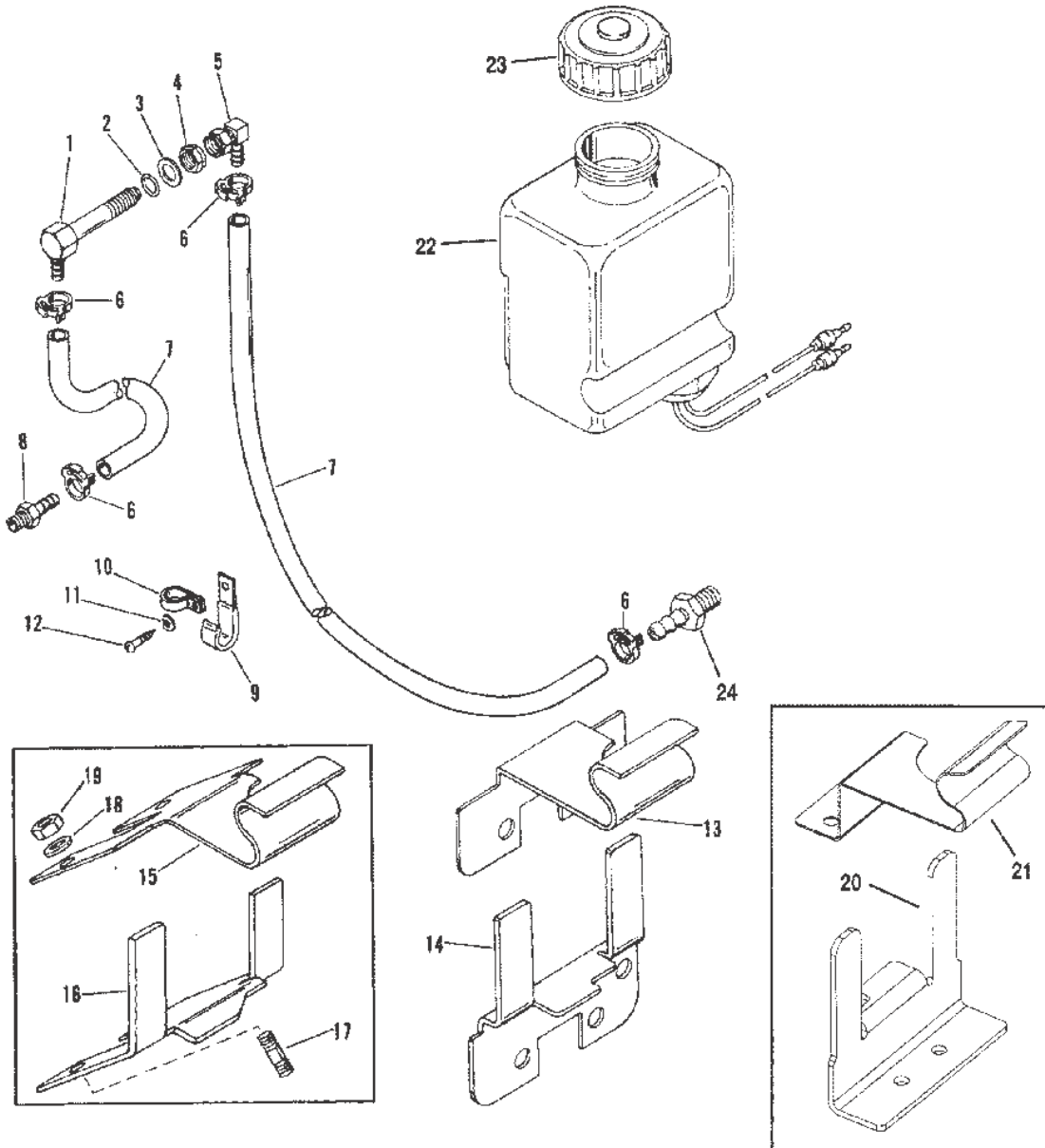


13845

Power Steering Components

Ref #	Part Class	Part Number	Description	Comments	Qty	Note
1	0000	57969A12	CYLINDER ASSEMBLY Booster (25- 58224A 1 Repair Kit)		1	
2	0032	92054	TUBE		1	
3	0032	92055	TUBE		1	
4	0000	94953A1	BRACKET ASSEMBLY		1	
7	0010	42253	BOLT		2	
8	0014	42254	WASHER		2	
9	0023	88282	SLEEVE		1	
10	0000	816458A1	VALVE ASSEMBLY (25- 58226A 1 Seal Repair Kit)		1	
11	0000	88280	ADAPTER		1	
12	0010	37612	SCREW (.375-16 x 1.250)		1	
13	0013	35048	LOCKWASHER (.375)		1	
14	0022	67305	FITTING Grease Old Design		1	
15	0010	88281	SCREW (.500-20 x 1.750)		1	
16	0012	20959	WASHER		1	
17	0000	88285	ADAPTER		1	
18	0013	76629	LOCKWASHER Internal Tooth (.750)		1	
19	0011	55111	NUT		1	
20	0000	96511A1	TUBE ASSEMBLY Steering		1	
21	0000	88287	GUIDE		1	
22	0011	32882	NUT (.875-14)		1	
23	0000	95848A1	CLEVIS ASSEMBLY		1	
24	0012	20086	WASHER (.390 x .620 x .060)		1	
25	0011	69254	NUT		1	
26	0023	95803	BUSHING		2	
27	0017	88283	PIN Retaining		2	
28	0023	88286	BUSHING		1	
29	0000	92766	LOCK		1	
30	0010	41209	SCREW		1	
31	0017	89229	PIN Clevis		1	
32	0017	52798	PIN Clevis		1	
33	0018	46950	COTTER PIN		2	
34	0012	35462	WASHER (.2656 x .625 x .0625) Stainless Steel		1	
35	0018	34212	COTTER PIN		1	
36	0000	806034A2	ACTUATOR ASSEMBLY Power Steering Complete Parts are Not Sold Separate at This Time (New Design)		1	

Oil Reservoir Components (Square Oil Bottle)



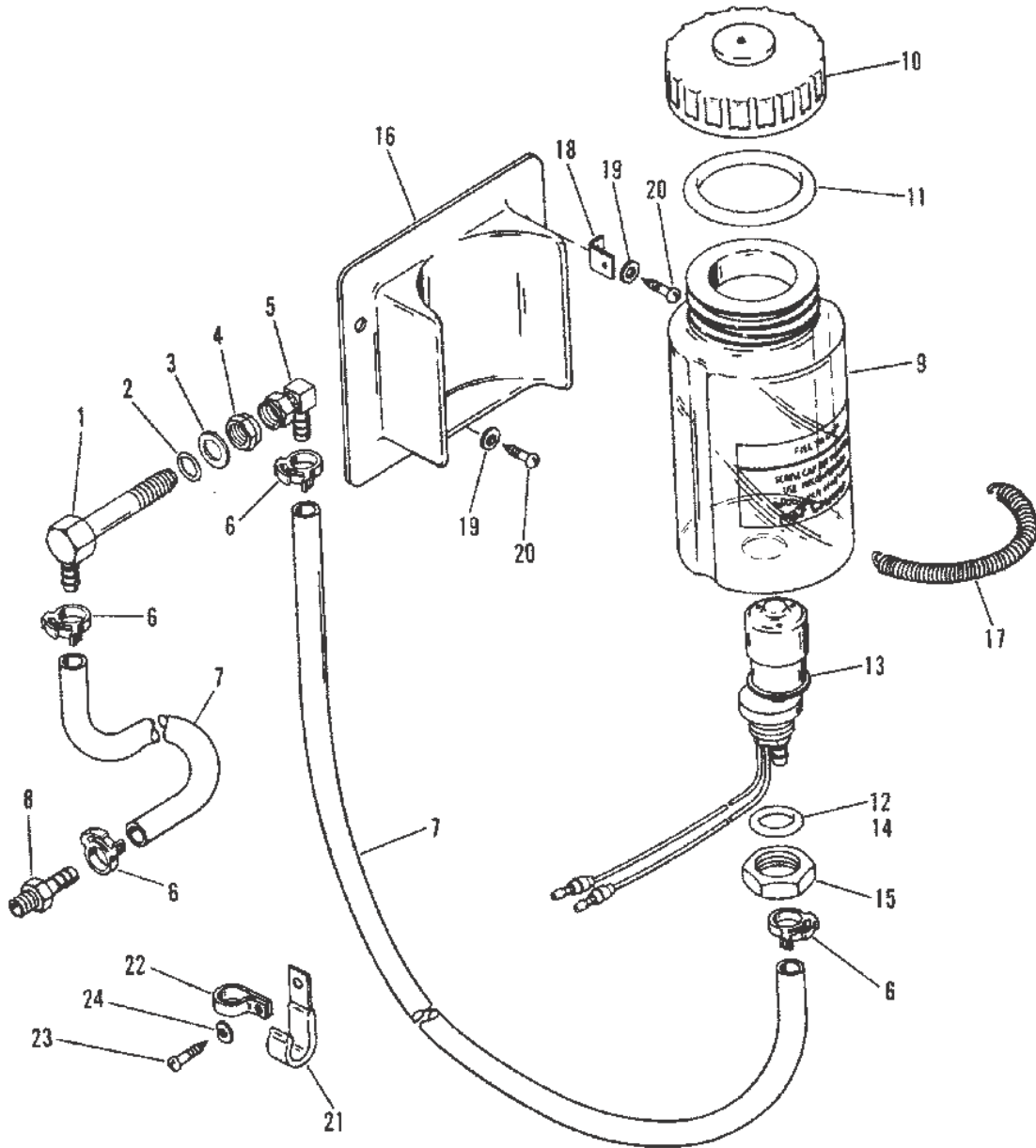
13846

RESOURCE NOTES:
Square Oil Bottle

Oil Reservoir Components (Square Oil Bottle)

Ref #	Part Class	Part Number	Description	Comments	Qty	Note
1	0022	18922	CONNECTOR		1	
2	0025	20195	O-RING		1	
3	0012	91964	WASHER		1	
4	0011	35053	NUT (.437-20)		1	
5	0022	18923	FITTING		1	
6	0054	415825	CLAMP Nylon		4	
7	0032	1940971	HOSE (54.00 Inches Bulk)		2	
8	0022	16739	CONNECTOR		1	
9	0054	642351	J CLIP		1	
10	0054	23567	CLIP		1	
11	0010	60605	SCREW (#10-16 x .750)		1	
12	0000	69205	C WASHER		1	
13	0000	806293T	BRACKET Clip	(3.0L/3.0LX)	1	
14	0000	807024T	BRACKET	(3.0L/3.0LX)	1	
15	0000	806292T	BRACKET	(4.3L/4.3LX, 5.0L/5.0LX, 5.7L/350 Magnum)	1	
16	0000	807025T	BRACKET	(4.3L/4.3LX, 5.0L/5.0LX, 5.7L/350 Magnum)	1	
17	0016	805357	STUD (.375-16 x 2.130)	(4.3L/4.3LX, 5.0L/5.0LX, 5.7L/350 Magnum)	2	
18	0012	20553	WASHER (.406 x .734 x .063)	(4.3L/4.3LX, 5.0L/5.0LX, 5.7L/350 Magnum)	2	
19	0011	32219	NUT (.375-16)	(4.3L/4.3LX, 5.0L/5.0LX, 5.7L/350 Magnum)	2	
20	0000	806649T	BRACKET	(262 Magnum (TBI) (GEN+) And (5.7L/LX (TBI) And 350 Magnum (TBI) (GEN+))	1	
21	0000	806650T	BRACKET	(262 Magnum (TBI) (GEN+) And (5.7L/LX (TBI) And 350 Magnum (TBI) (GEN+))	1	
22	0000	806193A3	RESERVOIR ASSEMBLY Oil		1	
23	0036	808625	CAP Drive Lube Monitor Oil Bottle		1	
24	0022	808624	CONNECTOR		1	

Oil Reservoir Components (Round Oil Bottle)



13847

RESOURCE NOTES:

Round Oil Bottle

Oil Reservoir Components (Round Oil Bottle)

Ref #	Part Class	Part Number	Description	Comments	Qty	Note
1	0022	18922	CONNECTOR		1	
2	0025	20195	O-RING		1	
3	0012	91964	WASHER		1	
4	0011	35053	NUT (.437-20)		1	
5	0022	18923	FITTING		1	
6	0054	415825	CLAMP Nylon		4	
7	0032	1940971	HOSE (54.00 Inches Bulk)		1	
8	0022	16739	CONNECTOR		1	
9	0000	19743A4	BOTTLE ASSEMBLY		1	
10	0036	19741A1	CAP ASSEMBLY		1	
11	0025	19737	O-RING		1	
12	0025	30613	O-RING		1	
13	0087	19742A1	SWITCH ASSEMBLY		1	
14	0025	30613	O-RING		1	
15	0011	19740	NUT		1	
16	0000	678961	BRACKET		1	
17	0024	67908	SPRING		1	
18	0000	67905	RETAINER		2	
19	0012	58198	WASHER (.188 x .438 x .050)		3	
20	0010	60605	SCREW (#10-16 x .750)		3	
21	0054	642351	J CLIP		1	
22	0054	23567	CLIP		1	
23	0010	60605	SCREW (#10-16 x .750)		1	
24	0000	69205	C WASHER		1	

Drive Unit Chart

Drive Unit Chart

Ref #	Part Class	Part Number	Description	Comments	Qty	Note
-	1547	815930A3	HOUSING ASSEMBLY Driveshaft (1.98 And 2.40)	(Top Cover With Dipstick Hole)	1	[1]
-	1547	815930A5	HOUSING ASSEMBLY Driveshaft (1.65)	(Top Cover With Dipstick Hole)	1	[2]
-	1547	815930A4	HOUSING ASSEMBLY Driveshaft (1.84)	(Top Cover With Dipstick Hole)	1	[3]
-	1547	815930A6	HOUSING ASSEMBLY Driveshaft (1.50)	(Top Cover With Dipstick Hole)	1	
-	1547	815930A13	HOUSING ASSEMBLY Driveshaft (1.98 And 2.40)	(Top Cover With Dipstick Hole)	1	[4]
-	1547	815930A15	HOUSING ASSEMBLY Driveshaft (1.65)	(Top Cover With Dipstick Hole)	1	[5]
-	1547	815930A14	HOUSING ASSEMBLY Driveshaft (1.84)	(Top Cover With Dipstick Hole)	1	[6]
-	1547	815930A16	HOUSING ASSEMBLY Driveshaft (1.50)	(Top Cover With Dipstick Hole)	1	
-		5010198DP	STERNDRIVE Alpha Gen II (1.98:1)	(Top Cover With Dipstick Hole)	1	
-		5000198DP	STERNDRIVE Alpha Gen II, Counter Rotation (1.98)	(Top Cover With Dipstick Hole)	1	
-		5010165DP	STERNDRIVE Alpha Gen II (1.65:1)	(Top Cover With Dipstick Hole)	1	[7]
-		5000165DP	STERNDRIVE Alpha Gen II, Counter Rotation (1.65)	(Top Cover With Dipstick Hole)	1	
-		5000184DP	STERNDRIVE Alpha Gen II, Counter Rotation (1.84)	(Top Cover With Dipstick Hole)	1	
-		5010184DP	STERNDRIVE Alpha Gen II (1.84:1)	(Top Cover With Dipstick Hole)	1	[8]
-		5010150DP	STERNDRIVE Alpha Gen II (1.50:1)	(Top Cover With Dipstick Hole)	1	[9]
-		5000150DP	STERNDRIVE Alpha Gen II, Counter Rotation (1.50)	(Top Cover With Dipstick Hole)	1	
-		5010198GP	STERNDRIVE (1.98)	(Top Cover With Out Dipstick Hole)	1	
-	0005	5000198GP	STERNDRIVE Counter Rotation (1.98)	(Top Cover With Out Dipstick Hole)	1	
-		5010165GP	STERNDRIVE (1.65)	(Top Cover With Out Dipstick Hole)	1	[10]
-		5000165GP	STERNDRIVE Alpha II, Counter Rotation (1.65)	(Top Cover With Out Dipstick Hole)	1	
-		5010184GP	STERNDRIVE (1.84)	(Top Cover With Out Dipstick Hole)	1	[11]
-		5000184GP	STERNDRIVE Counter Rotation (1.84)	(Top Cover With Out Dipstick Hole)	1	
-		5010150GP	STERNDRIVE (1.50)	(Top Cover With Out Dipstick Hole)	1	[12]
-		5000150GP	STERNDRIVE Counter Rotatio (1.50)	(Top Cover With Out Dipstick Hole)	1	
-	1623	815822A5	GEAR HOUSING ASSEMBLY		-	[13]
-	1623	815822A7	GEAR HOUSING ASSEMBLY	(Counter Rotation)	-	[14]
-	0006	6010000DP	TRANSOM	(Use With Round Oil Bottle)	-	
-		6010005GP	GIMBAL HOUSING ASSEMBLY Complete	(Use With Square Oil Bottle)	-	

Drive Unit Chart

Drive Unit Chart

PART NOTES:

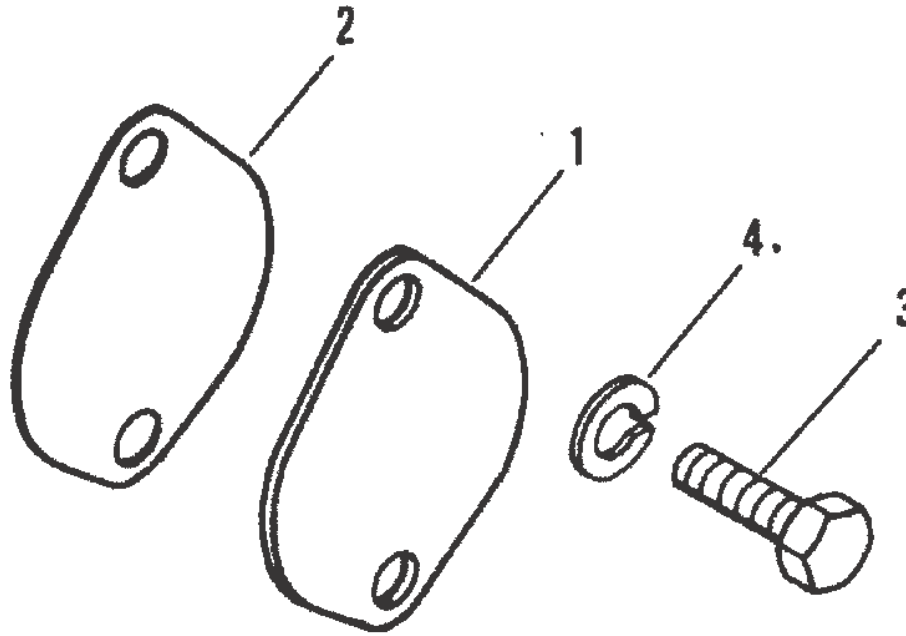
- [1] - Alternate part numbers:
815930A 3QS
861063R 6Reman
- [2] - Alternate part numbers:
815930A 5QS
861063R10Reman
- [3] - Alternate part numbers:
815930A 4QS
861063R 8Reman
- [4] - Alternate part numbers:
815930A13QS
861063R 6Reman
- [5] - Alternate part numbers:
815930A15QS
861063R10Reman
- [6] - Alternate part numbers:
815930A14QS
861063R 8Reman
- [7] - Alternate part numbers:
5010165DPService Part
5121300R2Reman
- [8] - Alternate part numbers:
5010184DPService Part
5121400R2Reman
- [9] - Alternate part numbers:
5010150DPService Part
5121200R2Reman
- [10] - Alternate part numbers:
5010165GPService Part
5121300R2Reman
- [11] - Alternate part numbers:
5010184GPService Part
5121400R2Reman
- [12] - Alternate part numbers:
5010150GPService Part
5121200R2Reman

Drive Unit Chart

Drive Unit Chart

- [13] - Alternate part numbers:
 - 815822A 5QS
 - 815822R53Reman
- [14] - Alternate part numbers:
 - 815822A 7QS
 - 815822R47Reman

Gimbal Housing Cover



13848

Cat.# 90-81818391

Gimbal Housing Cover

Ref #	Part Class	Part Number	Description	Comments	Qty	Note
01	0000	818304	COVER		1	
02	0027	818305	GASKET		1	
03	0010	28636	SCREW (.250-20 x .750)		2	
04	0013	26992	LOCKWASHER (.250) Stainless Steel		2	

Gimbal Housing Cover

Maintenance Kits

Maintenance Kits

Ref #	Part Class	Part Number	Description	Comments	Qty	Note
-	0000	8M0147055	MAINTENANCE KIT Alpha One Gen 2 (100 Hours)		1	
-	0027	94996T2	GASKET SET		1	[1]
-	0097	888756K01	ANODE KIT		1	[2]
-	0026	830749	SEAL		2	
-	0000	8M0147073	MAINTENANCE KIT Alpha One Gen 2 (300 Hours)		1	
-	0097	888756K01	ANODE KIT		1	[2]
-	0026	830749	SEAL		2	
-	0030	803099T1	BEARING REPAIR KIT		1	
-	0000	865436A02	SHIFT CABLE		1	[3]
-	0047	8M0100526	REPAIR KIT Water Pump		1	[4]
-	0022	8M0058389	SCREW KIT Drain		1	
-	0010	79953A04	PLUG ASSEMBLY (.375-16 x .250)		1	

PART NOTES:

- [1] - Alternate part numbers:
 94996A 2Service Part
 94996Q 2QS
 94996T 2MPP
- [2] - Alternate part numbers:
 888756A 1Service Part
 888756K01MPP
 888756Q03QS
- [3] - Alternate part numbers:
 865436A02Service Part
 865436A03Kit
- [4] - Alternate part numbers:
 8M0100526QS
 8M0100527MPP

PARTS INDEX

Part No.	Description	Pg.	Ref.no	Part No.	Description	Pg.	Ref.no
12077	SEAL	8	36	12078	CLAMP	12	11
12224	SEAL Fish Line Cutting Outside	26	56	12224	SEAL Fish Line Cutting Outside	36	66
12994	CLIP	14	28	13171	THRUST HUB	26	64
13171	THRUST HUB	36	74	134371	NUT (.375-24)	12	23
13438	NUT (.250-28)	8	34	134391	NUT (.4375-20)	14	12
13722A11	DECAL SET Engine Model	20	11	13722A13	DECAL SET Engine Model	20	11
13730A1	GEAR SET (2.40 Ratio) (14/28 Teeth)	22	14	13730A1	GEAR SET	26	-
14077	SEAL Oil Inside	26	55	14077	SEAL Oil Inside	36	65
14336A8	PUMP/MOTOR ASSEMBLY	42	-	14336A8	PUMP/MOTOR ASSEMBLY	46	1
14336A9	PUMP ASSEMBLY Trim	46	-	14587A7	CARRIER ASSEMBLY Bearing	36	63
14705	INSERT	4	16	14834A1	SCREW	22	4
14834A1	SCREW	30	4	15841	BEARING Roller	34	53
15842	BEARING Thrust	36	59	16739	CONNECTOR	50	8
16739	CONNECTOR	52	8	16977	SEAL Oil	22	19
16977	SEAL Oil	30	19	17064A3	GEAR SET Standard (17/28 Teeth)	22	14
1761514	SPACER SHIM (.206)	34	54	1761515	SPACER SHIM (.208)	34	54
1761516	SPACER SHIM (.210)	34	54	1761517	SPACER SHIM (.212)	34	54
1761518	SPACER SHIM (.214)	34	54	1761519	SPACER SHIM (.216)	34	54
1761520	SPACER SHIM (.218)	34	54	1761521	SPACER SHIM (.220)	34	54
1761522	SPACER SHIM (.222)	34	54	1761523	SPACER SHIM (.224)	34	54
1761524	SPACER SHIM (.226)	34	54	1761525	SPACER SHIM (.228)	34	54
1761526	SPACER SHIM (.230)	34	54	17616	THRUST RING	34	55
17621	SCREW	42	14	17622	COVER ASSEMBLY	42	20
17623	ARMATURE	42	17	17624	FIELD AND FRAME ASSEMBLY	42	19
17625	O-RING	42	13	17626	SCREW	42	12
17631A1	BRUSH KIT	42	16	17632	END CAP ASSEMBLY	42	11
17633	HOLDER KIT	42	15	17645	O-RING Reservoir End	42	6
17649	MOTOR	42	-	17653	WASHER	42	18
17997A1	SPRING KIT Rubber	16	4	18312A1	TOP COVER With Dipstick Hole	20	1
18312A3	TOP COVER With Out Dipstick Hole	20	1	18323	TAB WASHER	26	57
18323	TAB WASHER	36	67	18411A2	GEAR KIT (1.50 Ratio)	18	23
18448	THRUST WASHER	36	60	18525A1	RESERVOIR	42	8
18526	CAP Oil Reservoir With Vent Holes	42	9	18527	SCREW Includes O-Rings	42	10
18528	ADAPTER With Out Screen Connectors	42	1	18529	PUMP ASSEMBLY Included Screws	42	3
18545A1	REPAIR KIT	42	-	18654A1	BELLOWS ASSEMBLY	14	19
18920A1	VALVE ASSEMBLY	14	33	18922	CONNECTOR	50	1
18922	CONNECTOR	52	1	18923	FITTING	50	5
18923	FITTING	52	5	19183	WASHER Fiber	16	3
19183	WASHER Fiber	20	7	19183	WASHER Fiber	22	5
19183	WASHER Fiber Optional	30	5	1940971	HOSE (54.00 Inches Bulk)	50	7
1940971	HOSE (54.00 Inches Bulk)	52	7	19543A4	CABLE ASSEMBLY Shift	4	10
19737	O-RING	52	11	19740	NUT	52	15
19741A1	CAP ASSEMBLY	52	10	19742A1	SWITCH ASSEMBLY	52	13
19743A4	BOTTLE ASSEMBLY	52	9	19755A2	SHIFT SPOOL KIT	26	40
19755A2	SHIFT SPOOL KIT	34	40	20086	WASHER (.390 x .620 x .060)	48	24
20195	O-RING	50	2	20195	O-RING	52	2
20518	SET SCREW (#8-32)	4	14	20553	WASHER (.406 x .734 x .063)	50	18
20959	WASHER	48	16	21273	WASHER	2	9
21825	NUT (.250-28)	46	22	21836	O-RING (.796 x .139)	22	30
21836	O-RING (.796 x .139)	30	30	21900	WASHER	8	24
22339	NUT (.625-18)	18	26	23567	CLIP	50	10
23567	CLIP	52	22	25439	O-RING (.862 x .103)	16	13
25439	O-RING (.862 x .103)	16	13	25599	NUT (.750-16)	12	17
26419	NUT (#8-32) Brass	46	12	26992	LOCKWASHER (.250) Stainless Steel	2	3
26992	LOCKWASHER (.250) Stainless Steel	46	13	26992	LOCKWASHER (.250) Stainless Steel	60	04
26996	LOCKWASHER (#10) Stainless Steel	12	9	28635	SCREW (.250-20 x .620) Stainless Steel	12	12
28636	SCREW (.250-20 x .750)	8	18	28636	SCREW (.250-20 x .750)	60	03
28668	SCREW (.250-20 x .875) Stainless Steel	20	13	29245	WASHER (.281 x .500 x .060) Stainless Steel	2	4
29245	WASHER (.281 x .500 x .060) Stainless Steel	46	26	29641	E RING	22	33
29641	E RING	30	33	30613	O-RING	52	12
30613	O-RING	52	14	30632	PIN Cross	26	46

PARTS INDEX

Part No.	Description	Pg.	Ref.no	Part No.	Description	Pg.	Ref.no
30632	PIN Cross	34	49	30893	SPRING	26	47
30893	SPRING	34	50	30895	BEARING Needle	26	44
30956	BEARING Needle	26	54	30956	BEARING Needle	36	64
31211A2	WASHER Splined	26	65	31211A2	WASHER Splined	36	75
31534	O-RING	26	52	31534	O-RING	34	56
316404	TRIM TAB (1.98:1 Ratio Only)	26	59	316404	TRIM TAB (1.98:1 Ratio Only)	36	69
31700	SCREW (.250-28 x .750)	4	11	32219	NUT (.375-16)	50	19
32297	PLUG	16	7	32518	WASHER	8	21
32546	O-RING	20	4	32573A1	BEARING ASSEMBLY Roller (1.50 Ratio Only)	18	24
32620	WASHER	8	23	32802	PLUG Pipe (.125-27)	14	4
32834	WASHER (.9375 x 1.750 x .172)	4	7	32882	NUT (.875-14)	48	22
32995	SCREW (.437-20 x 2.00)	12	18	33504	O-RING	14	8
33734	LOCKWASHER (.500)	4	8	33981T1	SLIDE	4	17
34087	NUT	8	25	34212	COTTER PIN	48	35
34567	WASHER	8	29	34931	WASHER (.406 x .734 x .063) Stainless Steel	12	22
34933	NUT (.437-20) Stainless Steel	8	30	35027	O-RING (1.046)	16	13
35048	LOCKWASHER (.375)	48	13	35053	NUT (.437-20)	50	4
35053	NUT (.437-20)	52	4	35386	SCREW (.312-18 x 1.00)	46	27
35462	WASHER (.2656 x .625 x .0625) Stainless Steel	48	34	35479	LOCKWASHER (.375)	26	63
35479	LOCKWASHER (.375)	36	73	35777	WASHER (.5156 x 1.375 x .125) Aluminum	4	5
35921	NUT (.625-18)	22	16	35921	NUT (.625-18)	30	16
35928A1	BEARING ASSEMBLY Tapered Roller	26	42	35935	WASHER (.435 x .875 x .105) Stainless Steel	14	11
35980A1	SHIM SET	16	21	35982	GASKET Rubber	14	7
35983	RING	16	15	35985	SPACER	16	20
35988A12	BEARING KIT Roller	16	19	35990A1	BEARING ASSEMBLY Roller	18	24
36178A1	SHIM SET	18	27	36318	O-RING (.799)	24	37
36318	O-RING (.799)	30	37	36387A1	BEARING ASSEMBLY Roller/Cup	22	12
36387A1	BEARING ASSEMBLY Roller/Cup	30	12	37612	SCREW (.375-16 x 1.250)	48	12
379721	PIN	22	2	379721	PIN	30	2
37978	SCREW (#10-32 x .750) Stainless Steel	12	8	37984	NUT (.875-14)	4	21
37985	WASHER	4	20	38473	WRAPPING Spiral	4	15
38863	CLAMP	8	27	39107	LOCKWASHER (.312-24)	46	28
39116	WASHER	14	23	39383T	SOCKET Center	16	10
39383T	SOCKET Center	16	10	41209	SCREW	48	30
41218	DIPSTICK	42	7	41508	SCREW (.250-20 x .500) Stainless Steel	46	11
415825	CLAMP Nylon	50	6	415825	CLAMP Nylon	52	6
416071	SEAL Oil	8	4	416721	TUBE Water	8	15
41673	COVER	8	17	4172533	HOSE	14	17
41802	SEAL Rubber Exhaust Pipe	8	11	42253	BOLT	4	2
42253	BOLT	48	7	42254	WASHER	4	3
42254	WASHER	48	8	423511	LOCKWASHER Toothed	26	68
423511	LOCKWASHER Toothed	36	78	42419A1	BRACKET ASSEMBLY Floor Mounted	46	23
42600A3	CONTROLLER ASSEMBLY	2	7	42637A1	SHIM SET	22	11
42637A1	SHIM SET	30	11	42647A1	BEARING ASSEMBLY Roller	22	8
42647A1	BEARING ASSEMBLY Roller	30	8	42683	CONNECTOR (.750-14)	14	3
430262	IMPELLER	22	27	430262	IMPELLER	30	27
430331	GASKET	22	23	430331	GASKET	30	23
43037	KEY	22	28	43037	KEY	30	28
43044	PIN Dowel - Without Hole (.375 x .625)	22	7	43044	PIN Dowel - Without Hole (.375 x .625)	30	7
43433	GUIDE	4	12	43433A01	GUIDE KIT	4	-
43436	ANCHOR	4	13	43691	BOLT (.500-13 x 4.00)	8	22
43713	SEAL	8	13	43881A11	GIMBAL HOUSING ASSEMBLY	8	1
44117A8	PLATE ASSEMBLY Transom	4	1	45176	WASHER (.453 x .812 x .105) Stainless Steel	20	18
45518A2	LEVER ASSEMBLY	14	22	45577	SEAL	22	6
45577	SEAL	30	6	45590	SCREW (.250-28)	14	24
45691A1	SHIM	20	3	45810	WASHER	18	25
45814A5	GEAR KIT (1.65 Ratio)	18	23	45862	SCREW (#10-32 x .875)	2	6
46020T	YOKE Gear End	16	9	46020T	YOKE Gear End	16	9
46438	NUT (#10-32)	2	10	46950	COTTER PIN	12	25
46950	COTTER PIN	48	33	47397A1	SHIM SET	26	41
47397A1	SHIM SET	34	41	48171	O-RING (.364 x .070)	14	34

PARTS INDEX

Part No.	Description	Pg.	Ref.no	Part No.	Description	Pg.	Ref.no
48409	SCREW (#10-16 x .625) Stainless Steel	46	16	5000150DP	STERNDRIVE Alpha Gen II, Counter Rotation (1.50)	54	-
5000150GP	STERNDRIVE Counter Rotatio (1.50)	54	-	5000165DP	STERNDRIVE Alpha Gen II, Counter Rotation (1.65)	54	-
5000165GP	STERNDRIVE Alpha II, Counter Rotation (1.65)	54	-	5000184DP	STERNDRIVE Alpha Gen II, Counter Rotation (1.84)	54	-
5000184GP	STERNDRIVE Counter Rotation (1.84)	54	-	5000198DP	STERNDRIVE Alpha Gen II, Counter Rotation (1.98)	54	-
5000198GP	STERNDRIVE Counter Rotation (1.98)	54	-	5010150DP	STERNDRIVE Alpha Gen II (1.50:1)	54	-
5010150GP	STERNDRIVE (1.50)	54	-	5010165DP	STERNDRIVE Alpha Gen II (1.65:1)	54	-
5010165GP	STERNDRIVE (1.65)	54	-	5010184DP	STERNDRIVE Alpha Gen II (1.84:1)	54	-
5010184GP	STERNDRIVE (1.84)	54	-	5010198DP	STERNDRIVE Alpha Gen II (1.98:1)	54	-
5010198GP	STERNDRIVE (1.98)	54	-	52707A1	PROP NUT KIT (.750-16)	26	67
52707A1	PROP NUT KIT (.750-16)	36	77	52798	PIN Clevis	12	24
52798	PIN Clevis	48	32	54929	COTTER PIN	8	20
5495053	TUBING (53.00 Feet Bulk)	14	27	55111	NUT	48	19
55778A3	GEAR KIT (2.40 Ratio)	18	23	55778A3	GEAR KIT (1.98 Ratio)	18	23
557961	DRIVESHAFT Upper	20	8	56296	STUD (.437-20 x 4.750)	8	2
56720	WASHER (.330 x .750 x .060) Stainless Steel	46	4	56766	STUD (.250-20/.250-28 x 1.380)	8	12
57008	RETAINER	12	10	57969A12	CYLINDER ASSEMBLY Booster (25- 58224A 1 Repair Kit)	48	1
57984	STUD (.437-14/.437-20 x 2.380)	22	3	57984	STUD (.437-14/.437-20 x 2.380)	30	3
58198	WASHER (.188 x .438 x .050)	52	19	58491	CHANNEL Rubber (4.00 Inches)	46	24
59579	STUD (.437-14/.437-20 x 2.812)	14	10	59784	SCREW (.250-10 x 1.00)	46	25
59830A5	UNIVERSAL JOINT	16	8	59830A7	YOKE ASSEMBLY Coupling End	16	12
6010000DP	TRANSOM	54	-	6010005GP	GIMBAL HOUSING ASSEMBLY Complete	54	-
60605	SCREW (#10-16 x .750)	50	11	60605	SCREW (#10-16 x .750)	52	20
60605	SCREW (#10-16 x .750)	52	23	60794A4	BEARING ASSEMBLY	8	9
61075	TOLERANCE RING	8	10	61100A1	BEARING ASSEMBLY	20	2
642351	J CLIP	50	9	642351	J CLIP	52	21
64818A3	GASKET KIT	14	2	65210	SCREW (.375-16 x 1.00)	26	62
65210	SCREW (.375-16 x 1.00)	36	72	660603	PROPELLER SHAFT	26	48
66081A2	CARRIER ASSEMBLY	16	17	66302	SEAL Oil	16	5
67305	FITTING Grease Old Design	48	14	67370	SLEEVE	22	34
67370	SLEEVE	30	34	678961	BRACKET	52	16
67905	RETAINER	52	18	67908	SPRING	52	17
681001	RING Thrust	26	50	68219	NUT (#10-32) Stainless Steel	2	8
68292	NUT (.312-18)	46	5	69067	SCREW (.250-20 x 1.375)	2	2
69205	C WASHER	50	12	69205	C WASHER	52	24
69254	NUT	48	25	69432	LOCKWASHER External (#10)	26	56C
69432	LOCKWASHER External (#10)	36	66C	69432	LOCKWASHER External (#10)	40	5C
70937	O-RING	16	16	71013	SHIM Spacer	16	22
72202	SCREW (#10-32 x 1.25)	2	6	72498	WASHER Synthane	14	9
73379	PLUG (.250-18)	8	14	74036	FITTING Grease	8	6
74036	FITTING Grease (.250-28)	12	3	74639A2	BELLOWS ASSEMBLY	8	26
75325A3	GEAR KIT (1.84 Ratio)	18	23	75832A3	CROSS AND BEARING	16	11
76214A5	ANODE KIT	26	59	76214A5	ANODE KIT	36	69
76629	LOCKWASHER Internal Tooth (.750)	48	18	76865	CRANK Shift	26	39
76865	CRANK Shift	34	39	77123	PIN Hinge	12	5
77633	LUBRICAP	8	7	77633	LUBRICAP	12	4
78968	LOCKWASHER Internal (.250)	8	33	78968	LOCKWASHER Internal (.250)	8	39
78968	LOCKWASHER Internal (.250)	20	14	79023A10	FUSE ASSEMBLY 110 Ampere	46	20
79091	FUSE 20 Ampere	46	7	79138A9	CABLE ASSEMBLY (6.00 Feet) Black-Negative	46	2
79139A12	CABLE ASSEMBLY Red-Positive	46	19	79146	RETAINER	12	20
79147A3	HARNESS ASSEMBLY	46	6	79448	RETAINER	26	58
79448	RETAINER	36	68	79953	SCREW (.375-16 x .250)	16	2
79953A04	PLUG ASSEMBLY (.375-16 x .250)	62	-	803099T1	BEARING REPAIR KIT	62	-
805041A2	BUSHING/SEAL KIT Oil	14	6	805118	FITTING (.4375 UNS x .4375 Inverted Flare)	40	15
805320A1	SWITCH ASSEMBLY	12	6	805357	STUD (.375-16 x 2.130)	50	17
805536A1	CROSS AND BEARING	16	11	805726	O-RING Rubber	16	3
805726	O-RING Rubber	22	5	805726	O-RING Rubber Optional	30	5
806031A2	BELL HOUSING ASSEMBLY	14	1	806034A2	ACTUATOR ASSEMBLY Power Steering Complete Parts are Not Sold Separate at This Time (New Design)	48	36
806036A1	BUSHING/SEAL KIT Oil	14	6	806105A1	ANODE ASSEMBLY	26	56A
806105A1	ANODE ASSEMBLY	36	66A	806189A1	ANODE ASSEMBLY	40	5A

PARTS INDEX

Part No.	Description	Pg.	Ref.no	Part No.	Description	Pg.	Ref.no
806191T	CAP Rod End	44	20	806193A3	RESERVOIR ASSEMBLY Oil	50	22
806290	SCREW (#10-32 x .625)	26	56B	806290	SCREW (#10-32 x .625)	36	66B
806290	SCREW (#10-32 x .625)	40	5B	806292T	BRACKET	50	15
806293T	BRACKET Clip	50	13	806327	SCREW (.437-14 x 1.750)	26	60
806327	SCREW (.437-14 x 1.750)	36	70	806649T	BRACKET	50	20
806650T	BRACKET	50	21	807024T	BRACKET	50	14
807025T	BRACKET	50	16	808624	CONNECTOR	50	24
808625	CAP Drive Lube Monitor Oil Bottle	50	23	808727	CONNECTOR (.50-20 UNF To .4375-24 Inverted Flare)	40	15
808728	ADAPTER With Screen Connectors	42	1	812498A1	VALVE KIT Relief	42	-
812499A1	VALVE KIT Relief	42	-	812975A5	GEAR SET Includes Pinion/Forward Gears	30	14
814308	BUSHING	14	5	814382	CONNECTOR	14	31
814384	TUBE Water	20	17	814386	WEAR PAD Port	16	6
814387	WEAR PAD Starboard	16	6	814604A1	ADAPTER ASSEMBLY Bearing	34	57
814605	KEEPER	36	62	8146061	PROPELLER SHAFT	34	51
814653	BEARING ASSEMBLY Needle Rollers	34	43	814653	BEARING ASSEMBLY Needle Rollers	36	58
814819A2	UNIVERSAL JOINT	16	8	814819A3	YOKE Coupler End	16	12
815362A1	ADAPTER ASSEMBLY Bearing	34	42	815480	BEARING Thrust	34	45
815481	THRUST WASHER	34	44	815481	THRUST WASHER (Used In Generation II Service Replacemtn Gear Housings.)	34	55
815482	BEARING Roller	34	47	815504320	CLAMP Worm Gear	8	28
815504348	CLAMP Worm Gear	14	21	815504372	CLAMP Worm Gear	14	15
815504412	CLAMP Worm Gear	14	18	815570	THRUST RACE	36	61
815822A28	GEAR HOUSING ASSEMBLY	30	1	815822A28	GEAR HOUSING ASSEMBLY	34	1
815822A30	GEAR HOUSING ASSEMBLY	22	1	815822A30	GEAR HOUSING ASSEMBLY	26	1
815822A5	GEAR HOUSING ASSEMBLY Complete	22	-	815822A5	GEAR HOUSING ASSEMBLY Complete	26	-
815822A5	GEAR HOUSING ASSEMBLY	54	-	815822A7	GEAR HOUSING ASSEMBLY Complete	30	-
815822A7	GEAR HOUSING ASSEMBLY Complete	34	-	815822A7	GEAR HOUSING ASSEMBLY	54	-
815919A1	SHIFT SHAFT Lower	22	32	815919A1	SHIFT SHAFT Lower	30	32
815921A8	BUSHING ASSEMBLY	22	35	815921A8	BUSHING ASSEMBLY	30	35
815930A13	HOUSING ASSEMBLY Driveshaft (1.98 And 2.40)	54	-	815930A14	HOUSING ASSEMBLY Driveshaft (1.84)	54	-
815930A15	HOUSING ASSEMBLY Driveshaft (1.65)	54	-	815930A16	HOUSING ASSEMBLY Driveshaft (1.50)	54	-
815930A3	HOUSING ASSEMBLY Driveshaft (1.98 And 2.40)	54	-	815930A4	HOUSING ASSEMBLY Driveshaft (1.84)	54	-
815930A5	HOUSING ASSEMBLY Driveshaft (1.65)	54	-	815930A6	HOUSING ASSEMBLY Driveshaft (1.50)	54	-
815930A7	HOUSING ASSEMBLY Driveshaft	16	1	815932	FILLER WALL	20	9
815935A7	TRIM CYLINDER ASSEMBLY Port	40	5	815935T	TUBE Port Cylinder	44	18
815949	E RING	40	13	815950	BUSHING	40	11
815951	CAP	40	14	815952	WASHER	40	12
815953	PIN	40	10	815954A7	TRIM CYLINDER ASSEMBLY Starboard	40	4
815954T	TUBE Starboard Cylinder	44	19	815956A1	COUPLING ASSEMBLY Speedometer	14	26
816431A1	BELLOWS ASSEMBLY Universal Joint	14	13	816458A1	VALVE ASSEMBLY (25- 58226A 1 Seal Repair Kit)	48	10
816461A2	GIMBAL RING ASSEMBLY	12	X21	8164641	SEAL Oil	22	36
8164641	SEAL Oil	30	36	816472	DRIVESHAFT	22	10
816575A2	SEAL KIT	22	25	816575A2	SEAL KIT	30	25
816575A3	SEAL KIT Gear Housing	24	-	816575A3	SEAL KIT Gear Housing	26	-
816575A3	SEAL KIT Gear Housing	30	-	816575A3	SEAL KIT Gear Housing	36	-
816583	SLEEVE	22	31	816583	SLEEVE	30	31
816594A1	FITTING ASSEMBLY	14	30	816597A1	COUPLING ASSEMBLY	22	29
816597A1	COUPLING ASSEMBLY	30	29	816599	BUSHING	8	16
816601	SCREW (.437-20 x 1.500)	20	15	816606	CLAMP	14	29
816607	SLEEVE	14	16	816610A1	DIPSTICK ASSEMBLY	20	6
816629	TAB WASHER	26	66	816629	TAB WASHER	36	76
816685	SHIFT SHAFT Upper	14	25	8168111	RETAINER	16	14
816919	DRIVESHAFT	22	10	816919	DRIVESHAFT	30	10
816928	SCREW (M6 x 16)	22	26	816928	SCREW (M6 x 16)	24	38
816928	SCREW (M6 x 16)	30	26	816928	SCREW (M6 x 16)	30	38
817275A1	HOUSING KIT Water Pump	22	22	817275A1	HOUSING KIT Water Pump	30	22
817275A4	REBUILD KIT Water Pump	24	-	817275A4	REBUILD KIT Water Pump	30	-
817276	FACEPLATE	22	17	817276	FACEPLATE	30	17
817277	GASKET	22	24	817277	GASKET	30	24
817387A91	DECAL SET	20	10	817618	NUT (.437-20)	22	9

PARTS INDEX

Part No.	Description	Pg.	Ref.no	Part No.	Description	Pg.	Ref.no
817618	NUT (.437-20)	26	61	817618	NUT (.437-20)	30	9
817618	NUT (.437-20)	36	71	818290A6	CARRIER ASSEMBLY Bearing (Used In Generation II Service Replacement Gear Housings.)	36	63
818304	COVER	60	01	818305	GASKET	60	02
818557	CLAMP	14	32	818763A10	CARRIER ASSEMBLY Bearing	26	53
818834	STUD (.437-20 x 4.250) New Design	8	2A	821526	FILLER BLOCK	22	1A
821526	FILLER BLOCK	30	1A	821564	PLUG	16	5A
821629A1	ANODE ASSEMBLY	20	12	821631A1	ANODE ASSEMBLY	8	35
821759A2	CARRIER ASSEMBLY	22	18	821759A2	CARRIER ASSEMBLY	30	18
823444	SCREW	42	21	823894	SEAL Oil	16	18
824108	SPACER	26	49A	824109A1	GEAR ASSEMBLY Reverse	26	49
824111	PROPELLER SHAFT (Used In Generation II Service Replacement Gear Housings.)	34	51	824112	SLIDING CLUTCH	26	45
824112	SLIDING CLUTCH	34	48	824519	RETAINER	22	13
824519	RETAINER	30	13	824700A1	GEAR ASSEMBLY Reverse	34	46
828830A2	ADAPTER ASSEMBLY Bearing (Used In Generation II Service Replacement Gear Housings.)	34	42	828831A3	ADAPTER ASSEMBLY Bearing (Used In Generation II Service Replacement Gear Housings.)	34	57
830749	SEAL	62	-	830749	SEAL	62	-
85060	PLATE	40	8	85344	WASHER (.750 Inside Diameter)	12	15
85486	SCREW (.250-20 x .380) Stainless Steel	40	9	86049	CLIP Grounding	14	14
86049	CLIP Grounding	14	20	86322A15	CABLE ASSEMBLY (5.50 Inches) Black	46	18
86322A24	CABLE ASSEMBLY (4.00 Inches)	46	29	864319	SEAL Oil	16	5
865436A02	SHIFT CABLE	62	-	86885	SCREW (.250-20 x 1.500) Stainless Steel	8	38
87399A3	OVERHAUL KIT	40	-	87399A3	OVERHAUL KIT	44	-
87400A2	SEAL KIT	40	-	87400A2	SEAL KIT	44	-
88075	RETAINER	46	9	88280	ADAPTER	48	11
88281	SCREW (.500-20 x 1.750)	48	15	88282	SLEEVE	48	9
88283	PIN Retaining	48	27	88285	ADAPTER	48	17
88286	BUSHING	48	28	88287	GUIDE	48	21
88388	O-RING	2	5	88397	SEAL	20	16
88397A1	SEAL KIT Driveshaft Housing	18	28	88397A1	SEAL KIT Driveshaft Housing	20	19
88416	SEAL Oil	8	8	88847A1	PLUG KIT Access Hole	10	-
888756K01	ANODE KIT	62	-	888756K01	ANODE KIT	62	-
88957A1	BEARING Ball	26	51	89229	PIN Clevis	48	31
89238	SEAL Oil	22	20	89238	SEAL Oil	30	20
89493	COUPLING	42	2	89496	FILTER	42	4
89498	O-RING Motor End	42	5	8M0058389	SCREW KIT Drain	62	-
8M0100526	REPAIR KIT Water Pump	62	-	8M0147055	MAINTENANCE KIT Alpha One Gen 2 (100 Hours)	62	-
8M0147073	MAINTENANCE KIT Alpha One Gen 2 (300 Hours)	62	-	8M2015913	PLUG (.250-28 x .320)	8	6
90011	O-RING (2.175 x .175)	22	21	90011	O-RING (2.175 x .175)	30	21
90126	SCREW (.375-24 x 3.750)	12	21	90285	SCREW (.312-18 x .625)	46	3
91964	WASHER	12	7	91964	WASHER	50	3
91964	WASHER	52	3	92054	TUBE	48	2
92055	TUBE	48	3	92721	WASHER	22	15
92721	WASHER	30	15	92766	LOCK	48	29
94275	LINK	46	17	94330	NUT (.250-20) Brass	46	14
94953A1	BRACKET ASSEMBLY	48	4	94996T2	GASKET SET	62	-
95084A2	CABLE ASSEMBLY	46	8	95353A1	VALVE KIT Thermal Relief	42	-
95803	BUSHING	4	22	95803	BUSHING	48	26
95846	SWIVEL BLOCK	4	19	95848A1	CLEVIS ASSEMBLY	48	23
95858	HOSE Black Connector To Pump (Black)	40	1	95859	HOSE Gray Connector To Pump (Gray)	40	2
96158	SOLENOID Starter	46	10	96400	TUBE Steering	4	18
96457	WASHER Phenolic (.27 x .81 x .062)	46	21	96511A1	TUBE ASSEMBLY Steering	48	20
96535	BOOT	46	15	97934	SCREW (.500-20 x 5.370) Special	4	4
98230A1	SHAFT ASSEMBLY	12	14	98262A1	LEVER ASSEMBLY	12	13
98356	BUSHING Upper	8	5	983571	BUSHING Lower	8	3
98533	NUT (.437-20)	12	19	98548	WASHER (1.125)	12	16
98794	SCREW (.375-16 x 1.00)	20	5	988231	GASKET	8	31
98825A4	MANIFOLD ASSEMBLY	8	32	98869A11	ELECTRODE ASSEMBLY	2	1
99298	NUT (.500-20)	4	9	99299	SPACER (.520 x .870 x .630)	4	6
99352	BEARING	12	2	99353	SWIVEL PIN Lower	8	19
995061	GASKET	8	37	999021	HOSE Trim Cylinder Starboard	40	6

PARTS INDEX

Part No.	Description	Pg.	Ref.no	Part No.	Description	Pg.	Ref.no
999031	HOSE Trim Cylinder Port	40	7	99904	HOSE Trim Cylinder To Connector	40	3
99940A2	CONTINUITY KIT	6	-	NSS	NOT SOLD SEPARATE Foward Gear	26	43
NSS	NOT SOLD SEPARATE Foward Gear (See Previous Assembly - Refference #14)	34	52	NSS	NOT SOLD SEPARATE Screw	44	1
NSS	NOT SOLD SEPARATE Spring Seat	44	2	NSS	NOT SOLD SEPARATE Valve Seat	44	3
NSS	NOT SOLD SEPARATE Steel Ball (.109 Diameter)	44	4	NSS	NOT SOLD SEPARATE Spring Pin	44	5
NSS	NOT SOLD SEPARATE Shock Piston	44	6	NSS	NOT SOLD SEPARATE Steel Ball (.250 Diameter)	44	7
NSS	NOT SOLD SEPARATE Spacer	44	8	NSS	NOT SOLD SEPARATE Compression Spring	44	9
NSS	NOT SOLD SEPARATE Spring	44	10	NSS	NOT SOLD SEPARATE O-Ring	44	11
NSS	NOT SOLD SEPARATE O-Ring	44	12	NSS	NOT SOLD SEPARATE Spring	44	13
NSS	NOT SOLD SEPARATE O-Ring	44	14	NSS	NOT SOLD SEPARATE Scraper Rod	44	15
NSS	NOT SOLD SEPARATE O-Ring	44	16	NSS	NOT SOLD SEPARATE Washer	44	17
NSS	NOT SOLD SEPARATE Retaining Ring	44	18				