

Parts Manual

Cat.# 90-80980896

Revised 09-12-2020

TABLE OF CONTENTS

Cat.# 90-80980896

Service/Support Material.....	1
MAINTENANCE KITS.....	3
STERN DRIVE UNIT CHART (GASOLINE).....	5
STERN DRIVE UNIT CHART (DIESEL).....	7
STERN DRIVE UNIT CHART (GASOLINE W/ BLACK TRAC).....	9
STERN DRIVE UNIT CHART (BRAVO I PERFORMANCE).....	11
DRIVESHAFT HOUSING CHART (GASOLINE).....	13
DRIVESHAFT HOUSING CHART (DIESEL).....	15
DRIVESHAFT HOUSING CHART (GASOLINE W/ BLACK TRAC).....	17
DRIVESHAFT HOUSING CHART (BRAVO I PERFORMANCE).....	19
GEAR HOUSING CHART (GASOLINE & DIESEL).....	21
GEAR HOUSING CHART (BRAVO I PERFORMANCE).....	23
GIMBAL HOUSING CHART.....	25
DECAL SET CHART (S/N 0K999999 AND BELOW).....	27
DECAL SET CHART (S/N 0L150025 AND UP).....	29
TRANSOM PLATE AND SHIFT CABLE.....	31
CONTINUITY KIT.....	33
GIMBAL HOUSING.....	35
GIMBAL RING AND STEERING LEVER.....	37
BELL HOUSING.....	41
DRIVESHAFT HOUSING AND DRIVE GEARS (GASOLINE ENGINE).....	43
DRIVESHAFT HOUSING AND DRIVE GEARS (DIESEL ENGINE).....	47
UNIVERSAL JOINT/SHIFTER COMPONENTS.....	51
GEAR HOUSING (BRAVO I).....	55
GEAR HOUSING (BRAVO II).....	59
GEAR HOUSING (BRAVO III)(TWO PIECE HOUSING).....	63
GEAR HOUSING (BRAVO III)(ONE PIECE HOUSING).....	69
TRIM CYLINDERS AND HYDRAULIC HOSES.....	73
HYDRAULIC PUMP AND BRACKET.....	77
HYDRAULIC PUMP.....	79
Trim Cylinder Components.....	81
POWER STEERING.....	83
GIMBAL HOUSING COVER.....	85
MERCATHODE KIT.....	87
OIL RESERVOIR COMPONENTS.....	89
SPECIAL TOOLS-DRIVESHAFT HOUSING.....	93
SPECIAL TOOLS-TRANSOM.....	95
SPECIAL TOOLS-GEAR HOUSING (BRAVO I).....	97

TABLE OF CONTENTS

SPECIAL TOOLS-GEAR HOUSING (BRAVO II).....	99
SPECIAL TOOLS-GEAR HOUSING (BRAVO III).....	101

Service/Support Material

Cat.# 90-80980896

Service/Support Material

Ref #	Part Class	Part Number	Description	Comments	Qty	Note
-	0090	80980896	PARTS MANUAL BRAVO I/II/III STERNDRIVE AND TRANSOM ASSEMBLY		1	
-	0090	174314	SERVICE MANUAL		1	

Service/Support Material

MAINTENANCE KITS

MAINTENANCE KITS

Ref #	Part Class	Part Number	Description	Comments	Qty	Note
-	0000	8M0147056	MAINTENANCE KIT Bravo 1 (100 Hours)		1	
-	0000	16755Q1	SEAL		1	[1]
-	0097	888758K01	ANODE KIT		1	[2]
-	0026	830749	SEAL		2	
-	0000	8M0147057	MAINTENANCE KIT Bravo 2/3 (100 Hours)		1	
-	0000	16755Q1	SEAL		1	[1]
-	0097	888761K01	ANODE KIT		1	[3]
-	0026	830749	SEAL		2	
-	0000	8M0147074	MAINTENANCE KIT Bravo 1 (300 Hours)		1	
-	0097	888758K01	ANODE KIT		1	[2]
-	0026	830749	SEAL		2	
-	0000	8M0095485	REPAIR KIT Transom		1	
-	0000	865436A02	SHIFT CABLE		1	[4]
-	0000	8M0147075	MAINTENANCE KIT Bravo 2/3 (300 Hours)		1	
-	0097	888761K01	ANODE KIT		1	[3]
-	0026	830749	SEAL		2	
-	0000	8M0095485	REPAIR KIT Transom		1	
-	0000	865437A02	SHIFT CABLE		1	[5]

PART NOTES:

- [1] - Alternate part numbers:
16755Q 1QS
16755T 1MPP
- [2] - Alternate part numbers:
888758A 1Service Part
888758K01MPP
888758Q02QS
- [3] - Alternate part numbers:
888761A 1Service Part
888761K01MPP
888761Q03QS
- [4] - Alternate part numbers:
865436A02Service Part
865436A03Kit
- [5] - Alternate part numbers:
815471T 1Kit
865437A02Service Part

STERN DRIVE UNIT CHART (GASOLINE)

RESOURCE NOTES:

FOR REPLACEMENT OF DRIVESHAFT HOUSING ASSEMBLY, COMPLETE AND GEAR HOUSING ASSEMBLY, COMPLETE.

STERN DRIVE UNIT CHART (GASOLINE)

STERN DRIVE UNIT CHART (GASOLINE)

Ref #	Part Class	Part Number	Description	Comments	Qty	Note
-	0005	5120136KZ	END MODEL Stern Drive (1.36:1 Ratio)	(BRAVO I)	1	
-	0005	5120150KZ	END MODEL Stern Drive (1.50:1 Ratio)	(BRAVO I)	1	[1]
-	0005	5120165KZ	END MODEL Stern Drive (1.65:1 Ratio)	(BRAVO I)	1	
-	0005	5220150KZ	END MODEL +STERN DRIVE BRVII (1.50:1 Ratio)	(BRAVO II)	1	
-	0005	5220165KZ	END MODEL +STERN DRIVE BRVII (1.65:1 Ratio)	(BRAVO II)	1	
-	0005	5220181KZ	END MODEL +STERN DRIVE BRVII (1.81:1 Ratio)	(BRAVO II)	1	
-	0005	5220200KZ	END MODEL +STERN DRIVE BRVII (2.00:1 Ratio)	(BRAVO II)	1	[2]
-	0005	5220220KZ	END MODEL +STERN DRIVE BRVII (2.20:1 Ratio)	(BRAVO II)	1	
-	0005	5D30136KZ	END MODEL Stern Drive (1.36:1 Ratio)	(BRAVO III)	1	
-	0005	5D30150KZ	END MODEL Stern Drive (1.50:1 Ratio)	(BRAVO III)	1	
-	0005	5D30165KZ	END MODEL Stern Drive (1.65:1 Ratio)	(BRAVO III)	1	
-	0005	5D30181KZ	END MODEL Stern Drive (1.81:1 Ratio)	(BRAVO III)	1	[3]
-	0005	5D30200KZ	END MODEL Stern Drive (2.00:1 Ratio)	(BRAVO III)	1	[4]
-	0005	5D30220KZ	END MODEL Stern Drive (2.20:1 Ratio)	(BRAVO III)	1	[5]
-	0005	5D30243KZ	END MODEL Stern Drive (2.43:1 Ratio)	(BRAVO III)	1	

PART NOTES:

- [1] - Alternate part numbers:
5120150KZService Part
5231200R1Reman
- [2] - Alternate part numbers:
5220200KZService Part
5331600R1Reman
- [3] - Alternate part numbers:
5441400R1Reman
5D30181KZService Part
- [4] - Alternate part numbers:
5441600R1Reman
5D30200KZService Part
- [5] - Alternate part numbers:
5441500R1Reman
5D30220KZService Part

STERN DRIVE UNIT CHART (GASOLINE)

STERN DRIVE UNIT CHART (DIESEL)

RESOURCE NOTES:

FOR REPLACEMENT OF DRIVESHAFT HOUSING ASSEMBLY, COMPLETE AND GEAR HOUSING ASSEMBLY, COMPLETE.

STERN DRIVE UNIT CHART (DIESEL)

STERN DRIVE UNIT CHART (DIESEL)

Ref #	Part Class	Part Number	Description	Comments	Qty	Note
-		5232100LS	END MODEL DIESEL BRV 1 DRV 1998 (1.36:1 Ratio)	(BRAVO I)	1	
-		5232200LS	END MODEL DIESEL BRV 1 DRV 1998 (1.50:1 Ratio)	(BRAVO I)	1	
-		5232300LS	END MODEL DIESEL BRV 1 DRV 1998 (1.65:1 Ratio)	(BRAVO I)	1	
-		5332200LS	(1.50:1 Ratio)	(BRAVO II)	1	
-		5332300LS	(1.65:1 Ratio)	(BRAVO II)	1	
-		5332400LS	(1.81:1 Ratio)	(BRAVO II)	1	
-		5332600LS	STERNDRIVE (2.00:1 Ratio)	(BRAVO II)	1	
-		5332500LS	STERNDRIVE (2.20:1 Ratio)	(BRAVO II)	1	
-		5442100LS	STERNDRIVE (1.36:1 Ratio)	(BRAVO III)	1	
-		5442200LS	STERNDRIVE (1.50:1 Ratio)	(BRAVO III)	1	
-		5442300LS	STERNDRIVE (1.65:1 Ratio)	(BRAVO III)	1	
-		5442400LS	STERNDRIVE (1.81:1 Ratio)	(BRAVO III)	1	
-		5442600LS	STERNDRIVE (2.00:1 Ratio)	(BRAVO III)	1	
-		5442500LS	STERNDRIVE (2.20:1 Ratio)	(BRAVO III)	1	
-		5442700LS	STERNDRIVE (2.43:1 Ratio)	(BRAVO III)	1	

STERN DRIVE UNIT CHART (DIESEL)

STERN DRIVE UNIT CHART (GASOLINE W/ BLACK TRAC)

RESOURCE NOTES:

FOR REPLACEMENT OF DRIVESHAFT HOUSING ASSEMBLY, COMPLETE AND GEAR HOUSING ASSEMBLY, COMPLETE.

STERN DRIVE UNIT CHART (GASOLINE W/ BLACK TRAC)

STERN DRIVE UNIT CHART (GASOLINE W/ BLACK TRAC)

Ref #	Part Class	Part Number	Description	Comments	Qty	Note
-		5641400LP	STERNDRIVE UNIT COMPLETE (1.81:1 Ratio)	(BRAVO III)	1	
-		5641600LP	STERNDRIVE UNIT COMPLETE (2.00:1 Ratio)	(BRAVO III)	1	
-		5641500LP	STERNDRIVE UNIT COMPLETE (2.20:1 Ratio)	(BRAVO III)	1	
-		5641700LP	STERNDRIVE UNIT COMPLETE (2.43:1 Ratio)	(BRAVO III)	1	

STERN DRIVE UNIT CHART (BRAVO I PERFORMANCE)

RESOURCE NOTES:

FOR REPLACEMENT OF DRIVESHAFT HOUSING ASSEMBLY, COMPLETE AND GEAR HOUSING ASSEMBLY, COMPLETE.

STERN DRIVE UNIT CHART (BRAVO I PERFORMANCE)

STERN DRIVE UNIT CHART (BRAVO I PERFORMANCE)

Ref #	Part Class	Part Number	Description	Comments	Qty	Note
-		5C31100LP	STERNDRIVE UNIT COMPLETE (1.36:1 Ratio)	(BRAVO I)	1	
-		5C31200LP	STERNDRIVE UNIT COMPLETE (1.50:1 Ratio)	(BRAVO I)	1	
-		5C31300LP	STERNDRIVE UNIT (1.65:1 Ratio)	(BRAVO I)	1	

DRIVESHAFT HOUSING CHART (GASOLINE)

RESOURCE NOTES:

FOR REPLACEMENT OF DRIVESHAFT HOUSING ASSEMBLY, COMPLETE WHICH INCLUDES GEARS, UNIVERSAL JOINTS, ETC.

DRIVESHAFT HOUSING CHART (GASOLINE)

DRIVESHAFT HOUSING CHART (GASOLINE)

Ref #	Part Class	Part Number	Description	Comments	Qty	Note
-	1589	8868G23	HOUSING ASSEMBLY Driveshaft (1.36:1 Ratio)	(BRAVO I)	1	
-	1589	8868G13	HOUSING ASSEMBLY Driveshaft (1.50:1 Ratio)	(BRAVO I)	1	
-	1589	8868G17	HOUSING ASSEMBLY Driveshaft (1.65:1 Ratio)	(BRAVO I)	1	[1]
-	1589	8868G23	HOUSING ASSEMBLY Driveshaft (1.50:1 Ratio)	(BRAVO II)	1	
-	1589	8868G13	HOUSING ASSEMBLY Driveshaft (1.65:1 Ratio)	(BRAVO II)	1	
-	1589	8868G15	HOUSING ASSEMBLY Driveshaft (1.81:1 Ratio)	(BRAVO II)	1	
-	1589	8868G13	HOUSING ASSEMBLY Driveshaft (2.00:1 Ratio)	(BRAVO II)	1	
-	1589	8868G17	HOUSING ASSEMBLY Driveshaft (2.20:1 Ratio)	(BRAVO II)	1	[1]
-	1589	8868G23	HOUSING ASSEMBLY Driveshaft (1.36:1 Ratio)	(BRAVO III)	1	
-	1589	8868G19	HOUSING ASSEMBLY Driveshaft (1.50:1 Ratio)	(BRAVO III)	1	[2]
-	1589	8868G13	HOUSING ASSEMBLY Driveshaft (1.65:1 Ratio)	(BRAVO III)	1	
-	1589	8868G15	HOUSING ASSEMBLY Driveshaft (1.81:1 Ratio)	(BRAVO III)	1	
-	1589	8868G13	HOUSING ASSEMBLY Driveshaft (2.00:1 Ratio)	(BRAVO III)	1	
-	1589	8868G17	HOUSING ASSEMBLY Driveshaft (2.20:1 Ratio)	(BRAVO III)	1	[1]
-	1589	8868G17	HOUSING ASSEMBLY Driveshaft (2.43:1 Ratio)	(BRAVO III)	1	[1]

PART NOTES:

- [1] - Alternate part numbers:
863836R52Reman
8868G17QS
- [2] - Alternate part numbers:
863836R51Reman
8868G19QS

DRIVESHAFT HOUSING CHART (DIESEL)

RESOURCE NOTES:

FOR REPLACEMENT OF DRIVESHAFT HOUSING ASSEMBLY, COMPLETE WHICH INCLUDES GEARS, UNIVERSAL JOINTS, ETC.

DRIVESHAFT HOUSING CHART (DIESEL)

DRIVESHAFT HOUSING CHART (DIESEL)

Ref #	Part Class	Part Number	Description	Comments	Qty	Note
-	1589	8868G93	HOUSING ASSEMBLY Driveshaft (1.36:1 Ratio)	(BRAVO I)	1	[1]
-	1589	8868G89	HOUSING ASSEMBLY Driveshaft (1.50:1 Ratio)	(BRAVO I)	1	
-	1589	8868G91	HOUSING ASSEMBLY Driveshaft (1.65:1 Ratio)	(BRAVO I)	1	
-	1589	8868G93	HOUSING ASSEMBLY Driveshaft (1.50:1 Ratio)	(BRAVO II)	1	[1]
-	1589	8868G89	HOUSING ASSEMBLY Driveshaft (1.65:1 Ratio)	(BRAVO II)	1	
-	1589	8868G93	HOUSING ASSEMBLY Driveshaft (1.81:1 Ratio)	(BRAVO II)	1	[1]
-	1589	8868G89	HOUSING ASSEMBLY Driveshaft (2.00:1 Ratio)	(BRAVO II)	1	
-	1589	8868G91	HOUSING ASSEMBLY Driveshaft (2.20:1 Ratio)	(BRAVO II)	1	
-	1589	8868G93	HOUSING ASSEMBLY Driveshaft (1.36:1 Ratio)	(BRAVO III)	1	[1]
-	1589	8868G89	HOUSING ASSEMBLY Driveshaft (1.50:1 Ratio)	(BRAVO III)	1	
-	1589	8868G89	HOUSING ASSEMBLY Driveshaft (1.65:1 Ratio)	(BRAVO III)	1	
-	1589	8868G93	HOUSING ASSEMBLY Driveshaft (1.81:1 Ratio)	(BRAVO III)	1	[1]
-	1589	8868G89	HOUSING ASSEMBLY Driveshaft (2.00:1 Ratio)	(BRAVO III)	1	
-	1589	8868G91	HOUSING ASSEMBLY Driveshaft (2.20:1 Ratio)	(BRAVO III)	1	
-	1589	8868G91	HOUSING ASSEMBLY Driveshaft (2.43:1 Ratio)	(BRAVO III)	1	

PART NOTES:

- [1] - Alternate part numbers:
863836R50Reman
8868G93QS

DRIVESHAFT HOUSING CHART (GASOLINE W/ BLACK TRAC)

RESOURCE NOTES:

FOR REPLACEMENT OF DRIVESHAFT HOUSING ASSEMBLY, COMPLETE WHICH INCLUDES GEARS, UNIVERSAL JOINTS, ETC.

DRIVESHAFT HOUSING CHART (GASOLINE W/ BLACK TRAC)

DRIVESHAFT HOUSING CHART (GASOLINE W/ BLACK TRAC)

Ref #	Part Class	Part Number	Description	Comments	Qty	Note
-	1589	8868G65	HOUSING ASSEMBLY Driveshaft (1.81:1 Ratio)	(BRAVO III)	1	
-	1589	8868G67	HOUSING ASSEMBLY Driveshaft (2.00:1 Ratio)	(BRAVO III)	1	
-	1589	8868G69	HOUSING ASSEMBLY Driveshaft (2.20:1 Ratio)	(BRAVO III)	1	
-	1589	8868G69	HOUSING ASSEMBLY Driveshaft (2.43:1 Ratio)	(BRAVO III)	1	

DRIVESHAFT HOUSING CHART (GASOLINE W/ BLACK TRAC)

DRIVESHAFT HOUSING CHART (BRAVO I PERFORMANCE)

RESOURCE NOTES:

FOR REPLACEMENT OF DRIVESHAFT HOUSING ASSEMBLY, COMPLETE WHICH INCLUDES GEARS, UNIVERSAL JOINTS, ETC.

DRIVESHAFT HOUSING CHART (BRAVO I PERFORMANCE)

DRIVESHAFT HOUSING CHART (BRAVO I PERFORMANCE)

Ref #	Part Class	Part Number	Description	Comments	Qty	Note
-	1589	8868G93	HOUSING ASSEMBLY Driveshaft (1.36:1 Ratio)	(BRAVO I)	1	[1]
-	1589	8868G89	HOUSING ASSEMBLY Driveshaft (1.50:1 Ratio)	(BRAVO I)	1	
-	1589	8868G91	HOUSING ASSEMBLY Driveshaft (1.65:1 Ratio)	(BRAVO I)	1	

PART NOTES:

- [1] - Alternate part numbers:
863836R50Reman
8868G93QS

GEAR HOUSING CHART (GASOLINE & DIESEL)

RESOURCE NOTES:

FOR REPLACEMENT OF GEAR HOUSING ASSEMBLY, COMPLETE.

GEAR HOUSING CHART (GASOLINE & DIESEL)

GEAR HOUSING CHART (GASOLINE & DIESEL)

Ref #	Part Class	Part Number	Description	Comments	Qty	Note
-	1656	8866A15	GEAR HOUSING ASSEMBLY	(BRAVO I)	1	[1]
-	1641	8294A19	GEAR HOUSING ASSEMBLY (1.50:1 - 1.65:1 Ratio)	(BRAVO II)	1	
-	1641	8294A16	GEAR HOUSING ASSEMBLY (1.81:1 - 2.00:1 - 2.20:1 Ratio)	(BRAVO II)	1	[2]
-	1656	8866A37	GEAR HOUSING ASSEMBLY (1.36:1 - 1.50:1 Ratio)	(15/19/19 TEETH BRAVO III)	1	
-	1656	8866A36	GEAR HOUSING ASSEMBLY (1.65:1 Ratio)	(18/25/25 TEETH BRAVO III)	1	
-	1656	8866A35	GEAR HOUSING ASSEMBLY (1.81:1 - 2.00:1 - 2.20:1 Ratio)	(16/27/27 TEETH BRAVO III)	1	[3]
-	1656	8866A51	GEAR HOUSING ASSEMBLY (2.43:1 Ratio)	13/24/24 TEETH BRAVO III	1	

PART NOTES:

- [1] - Alternate part numbers:
8866A15QS
8866R63Reman
- [2] - Alternate part numbers:
8294A16QS
8294R16Reman
- [3] - Alternate part numbers:
8866A35QS
8866R04Reman

GEAR HOUSING CHART (BRAVO I PERFORMANCE)

RESOURCE NOTES:

FOR REPLACEMENT OF GEAR HOUSING ASSEMBLY, COMPLETE.

GEAR HOUSING CHART (BRAVO I PERFORMANCE)

Cat.# 90-80980896

GEAR HOUSING CHART (BRAVO I PERFORMANCE)

Ref #	Part Class	Part Number	Description	Comments	Qty	Note
-	1656	8866A55	GEAR HOUSING ASSEMBLY	BRAVO I	1	

GEAR HOUSING CHART (BRAVO I PERFORMANCE)

GIMBAL HOUSING CHART

RESOURCE NOTES:

FOR REPLACEMENT OF GIMBAL HOUSING ASSEMBLY, COMPLETE, WHICH INCLUDES BELL HOUSING, GIMBAL RING, TRIM CYLINDER, ETC.

Cat.# 90-80980896

GIMBAL HOUSING CHART

Ref #	Part Class	Part Number	Description	Comments	Qty	Note
-		6020008KZ	GIMBAL HOUSING ASSEMBLY	(MAGNUM)	1	
-		6020004KZ		(HIGH PERFORMANCE)	1	

GIMBAL HOUSING CHART

DECAL SET CHART (S/N 0K999999 AND BELOW)

DECAL SET CHART (S/N 0K999999 AND BELOW)

Ref #	Part Class	Part Number	Description	Comments	Qty	Note
-	0037	15167A90	DECAL SET	(BRAVO I)	1	
-	0037	13722A90	DECAL SET	(BRAVO II)	1	
-	0037	805338A93	DECAL SET	(BRAVO III)	1	
-	0037	13722A14	DECAL SET	(4.3LX/4.3LXH/262 MAGNUM)	1	
-	0037	13722A15	DECAL SET	(5.7L/LX CARB & EFI)	1	
-	0037	13722A16	DECAL SET	(350 MAGNUM)	1	
-	0037	13722A17	DECAL SET	(7.4L/7.4LX/454 MAG./502 MAG.)	1	
-	0037	13722A18	DECAL SET	(DIESEL)	1	

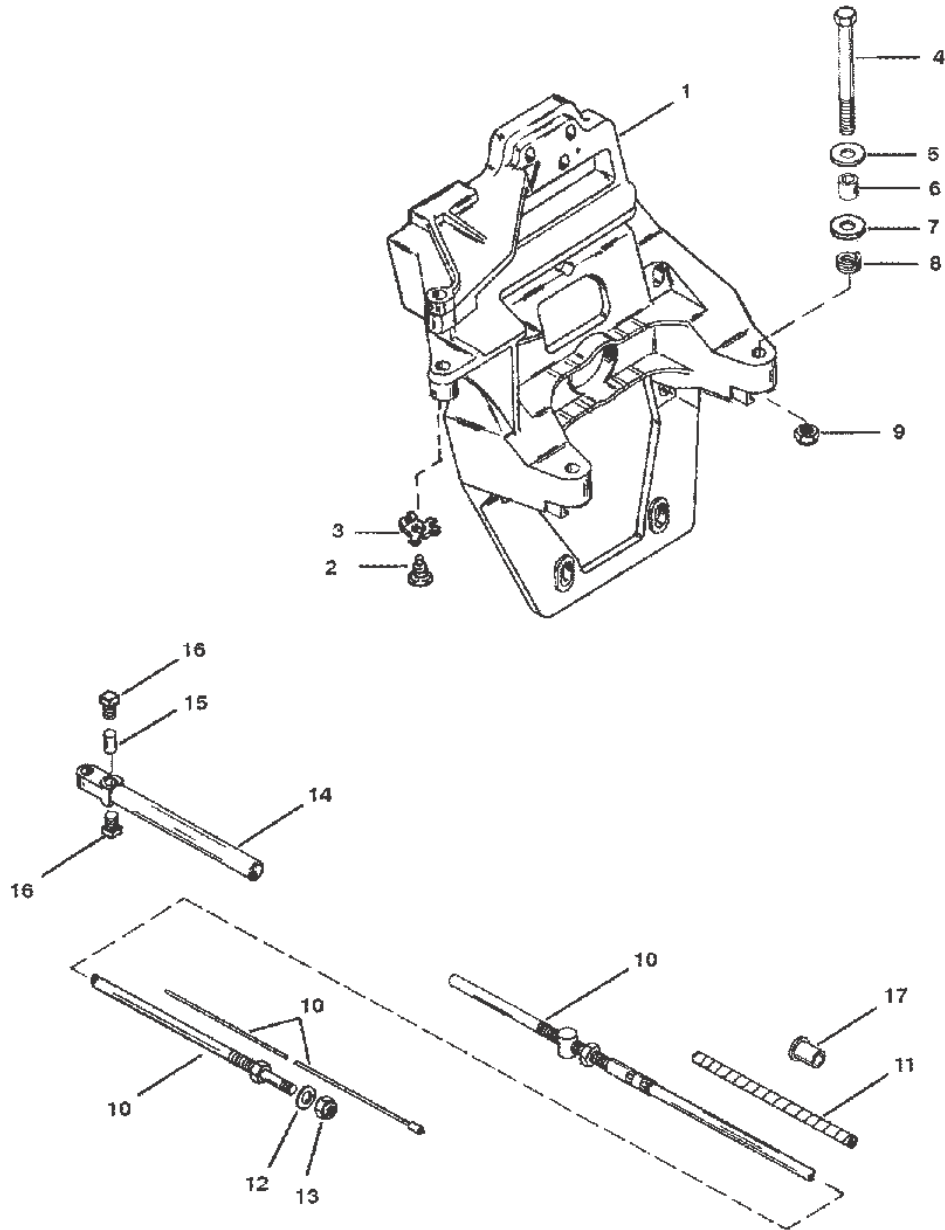
DECAL SET CHART (S/N 0L150025 AND UP)

DECAL SET CHART (S/N 0L150025 AND UP)

Ref #	Part Class	Part Number	Description	Comments	Qty	Note
-	0037	861432A98	DECAL SET	(BRAVO I) GASOLINE	1	
-	0037	861434A98	DECAL SET	(BRAVO II) GASOLINE	1	
-	0037	861435A98	DECAL SET	(BRAVO III) GASOLINE	1	
-	0037	861437A98	DECAL SET	(BRAVO I) DIESEL	1	
-	0037	861438A98	DECAL SET	(BRAVO II) DIESEL	1	
-	0037	861439A98	DECAL SET	(BRAVO III) DIESEL	1	
-	0037	861433A98	DECAL SET	(BRAVO I) PERFORMANCE	1	

DECAL SET CHART (S/N 0L150025 AND UP)

TRANSOM PLATE AND SHIFT CABLE



18717

TRANSOM PLATE AND SHIFT CABLE












Ref #	Part Class	Part Number	Description	Comments	Qty	Note
1	0000	44117A8	PLATE ASSEMBLY Transom		1	
2	0010	42253	BOLT		2	
3	0014	42254	WASHER		2	
4	0010	97934	SCREW (.500-20 x 5.370) Special		2	
5	0012	35777	WASHER (.5156 x 1.375 x .125) Aluminum		2	
6	0023	99299	SPACER (.520 x .870 x .630)		2	
7	0012	32834	WASHER (.9375 x 1.750 x .172)		2	
8	0013	33734	LOCKWASHER (.500)		2	
9	0011	99298	NUT (.500-20)		2	
10	0000	815471A3	CABLE ASSEMBLY		1	[1]
11	0000	90412	WRAPPING (1.16 Feet Bulk)		1	
12	0012	815472	WASHER		1	
13	0011	49910	NUT (.375-24)		1	
-	0000	43433A01	GUIDE KIT		1	
14	0000	43433	GUIDE		1	
15	0000	43436	ANCHOR		1	
16	0010	20518	SET SCREW (#8-32)		2	
17	0000	14705	INSERT		1	

PART NOTES:

- [1] - Alternate part numbers:
815471A 3Service Part
815471T 1Kit

CONTINUITY KIT

NOTE
All components parts of the
Continuity Kit are not sold separately.
Order 99940A2

COMPONENTS					
Cable Assembly	Cable Assembly	Ground Plate	Hex Head Screw	Lockwasher	Self-Tapping Screw
					
					Binding Head Screw
		Ground Plate	Hex Head Screw	Lockwasher	
					Locknut
					

13831

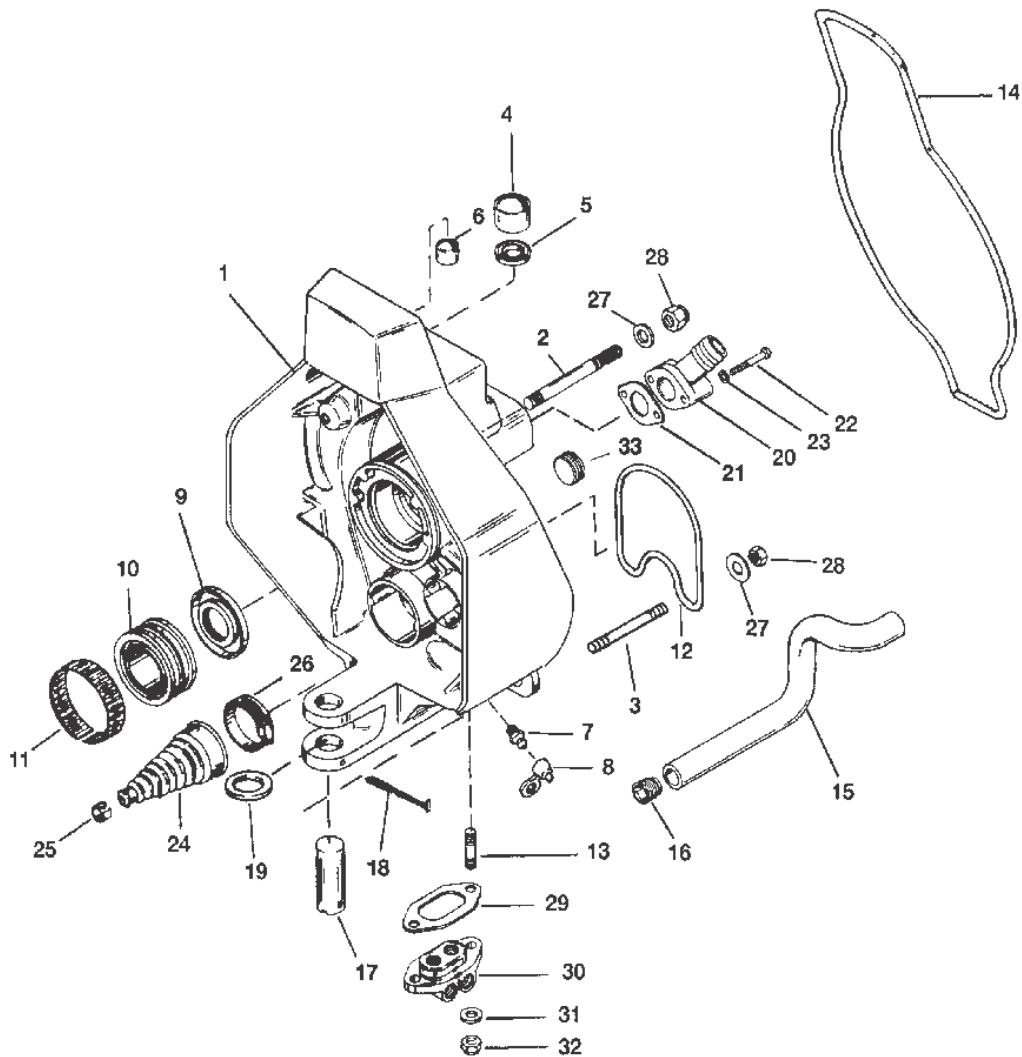
Cat.# 90-80980896

CONTINUITY KIT

Ref #	Part Class	Part Number	Description	Comments	Qty	Note
-	0000	99940A2	CONTINUITY KIT		1	

CONTINUITY KIT

GIMBAL HOUSING



NOTE: FOR CONTINUITY CIRCUIT COMPONENTS, SEE "CONTINUITY KIT"

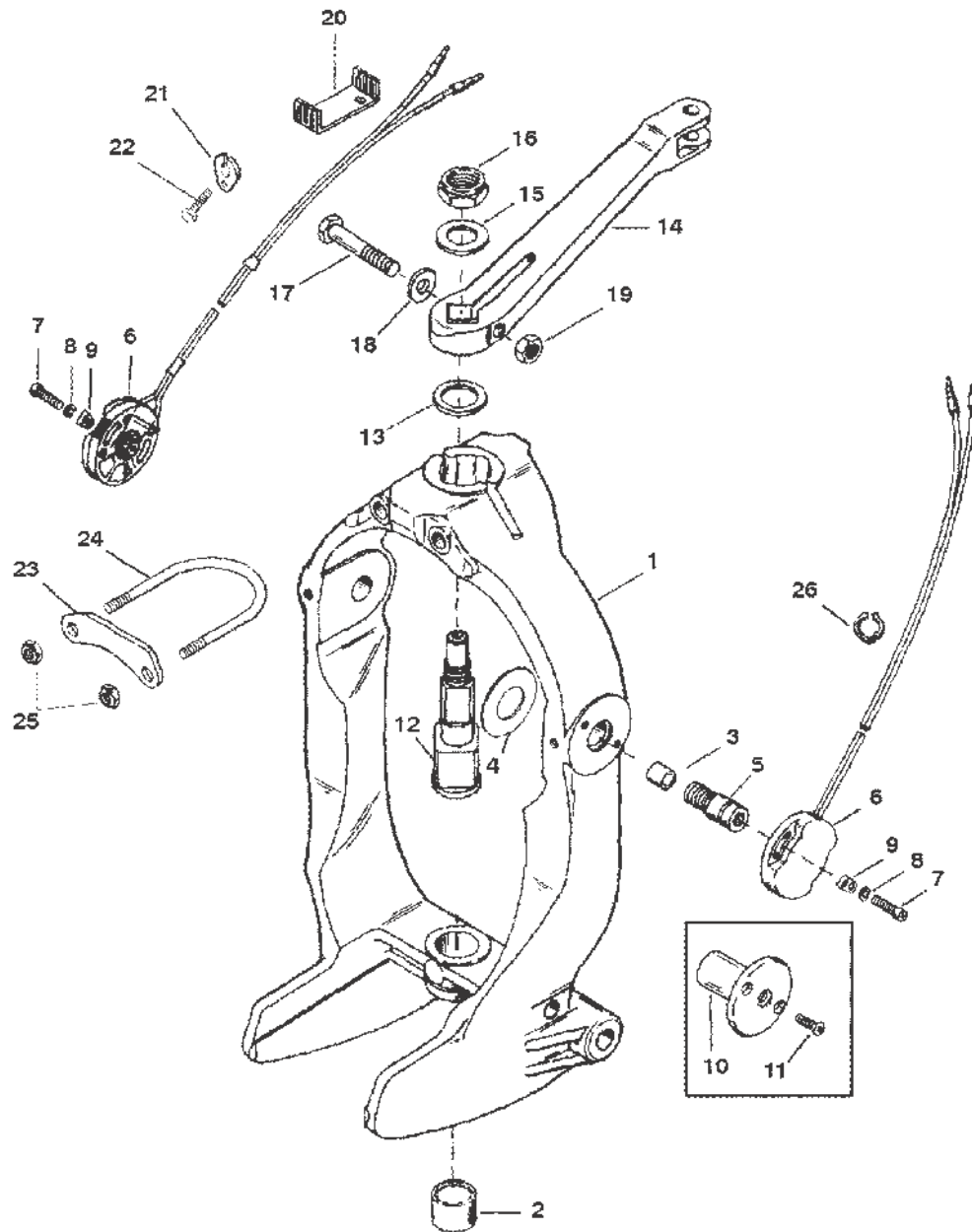
NOTE: ACCESS HOLE PLUG KIT (22-88847A1) CONTAINS ALL NECESSARY PARTS TO ALLOW REMOVAL OF SWIVEL SHAFT WITHOUT REMOVING GIMBAL HOUSING.

18718

GIMBAL HOUSING

Ref #	Part Class	Part Number	Description	Comments	Qty	Note
1	0000	43881A15	GIMBAL HOUSING ASSEMBLY		1	
2	0016	56296	STUD (.437-20 x 4.750)		4	
3	0016	818834	STUD (.437-20 x 4.250)		4	
4	0023	983571	BUSHING		1	
5	0026	416071	SEAL Oil		1	
6	0023	98356	BUSHING		1	
7	0022	74036	FITTING Grease	(With greased bearing)	1	
7	0010	8M2015913	PLUG (.250-28 x .320)	(With non-greased bearing)	1	
8	0019	77633	LUBRICAP		1	
9	0026	88416	SEAL Oil		1	
10	0030	862540A3	BEARING ASSEMBLY		1	
11	0000	61075	TOLERANCE RING		1	
12	0000	41802	SEAL Rubber		1	
13	0016	56766	STUD (.250-20/.250-28 x 1.380)		2	
14	0000	43713	SEAL		1	
15	0032	43437	HOSE		1	
16	0000	41674	INSERT		1	
17	0017	99353	SWIVEL PIN Lower		1	
18	0018	54929	COTTER PIN		1	
19	0012	32518	WASHER		1	
20	0022	43828	CONNECTOR		1	
21	0027	441081	GASKET		1	
22	0010	78038	SCREW (.250-20 x 1.75)		2	
23	0013	21272	LOCKWASHER (.250)		2	
24	0000	74639	BELLOWS Shift Cable		1	
25	0054	38863	CLAMP		1	
26	0054	815504320	CLAMP Worm Gear		1	
27	0012	34567	WASHER		8	
28	0011	34933	NUT (.437-20) Stainless Steel		8	
29	0027	988231	GASKET		1	
30	0000	98825A4	MANIFOLD ASSEMBLY		1	
31	0013	78968	LOCKWASHER Internal (.250)		2	
32	0011	13438	NUT (.250-28)		2	
33	0022	428611	FITTING Pipe - Brass (.750-14)		1	
-	0022	88847A1	PLUG KIT Access Hole		1	

GIMBAL RING AND STEERING LEVER



NOTE: FOR CONTINUITY CIRCUIT COMPONENTS, SEE "CONTINUITY KIT"

18719

GIMBAL RING AND STEERING LEVER

Ref #	Part Class	Part Number	Description	Comments	Qty	Note
1	0000	822374A4	GIMBAL RING ASSEMBLY	(FOR USE WITH TRIM SENDERS)	1	
2	0023	847638	BUSHING Use With Magnum Gimbal Ring	(FOR USE WITH TRIM SENDERS)	1	
2	0023	99352	BEARING Use With Standard Gimbal Ring	(FOR USE WITH TRIM SENDERS)	1	
3	0023	847637	BUSHING	(FOR USE WITH TRIM SENDERS)	2	
4	0012	41721	WASHER	(FOR USE WITH TRIM SENDERS)	2	
5	0010	86801	SCREW Hinge Pin	(FOR USE WITH TRIM SENDERS)	2	
6	0000	805320A1	SWITCH ASSEMBLY	(FOR USE WITH TRIM SENDERS)	1	
NS	0000	805134A4	ROTOR KIT	(FOR USE WITH TRIM SENDERS)	AR	[1]
7	0010	37978	SCREW (#10-32 x .750) Stainless Steel	(FOR USE WITH TRIM SENDERS)	4	
8	0013	26996	LOCKWASHER (#10) Stainless Steel	(FOR USE WITH TRIM SENDERS)	4	
9	0000	57008	RETAINER	(FOR USE WITH TRIM SENDERS)	4	
1	0000	822374A3	GIMBAL RING ASSEMBLY	(HI PERFORMANCE) (FOR USE WITHOUT TRIM SENDERS)	1	
2	0023	847638	BUSHING	(FOR USE WITHOUT TRIM SENDERS)	1	
4	0012	41721	WASHER	(FOR USE WITHOUT TRIM SENDERS)	2	
10	0000	821997	PIN Hinge	(FOR USE WITHOUT TRIM SENDERS)	2	
11	0010	821579	SCREW (#10-24 x .500)	(FOR USE WITHOUT TRIM SENDERS)	4	
12	0000	98230A1	SHAFT ASSEMBLY Upper		1	
13	0012	98548	WASHER (1.125)		1	
14	0000	98262A1	LEVER ASSEMBLY		1	
15	0012	85344	WASHER (.750 Inside Diameter)		1	
16	0011	25599	NUT (.750-16)		1	
17	0010	807204	SCREW (.437-20 x 2.00)		1	
18	0012	91964	WASHER		1	
19	0011	98533	NUT (.437-20)		1	
20	0000	79146	RETAINER		1	
21	0054	12078	CLAMP		1	
22	0010	28635	SCREW (.250-20 x .620) Stainless Steel		1	
23	0000	816510T	BRACKET		1	
24	0010	805164	U BOLT		1	
25	0011	134371	NUT (.375-24)		2	
26	0054	818557	CLAMP		1	
-	0000	805130A6	SENDER KIT Dual Station		1	

GIMBAL RING AND STEERING LEVER

Cat.# 90-80980896

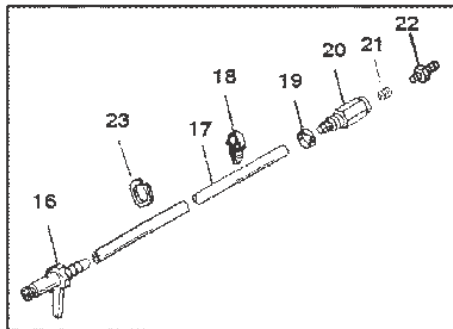
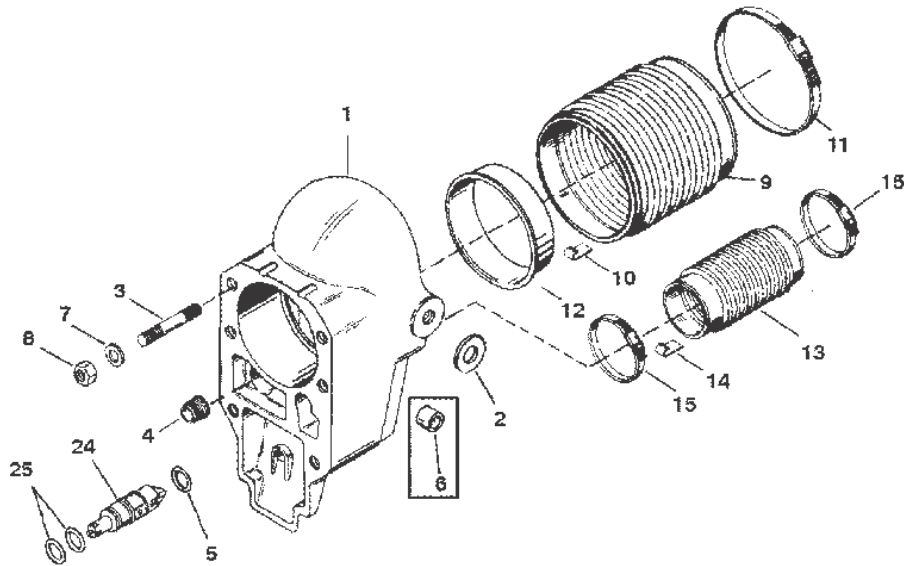
GIMBAL RING AND STEERING LEVER

PART NOTES:

[1] - NOT SHOWN
AS REQUIRED

GIMBAL RING AND STEERING LEVER

BELL HOUSING



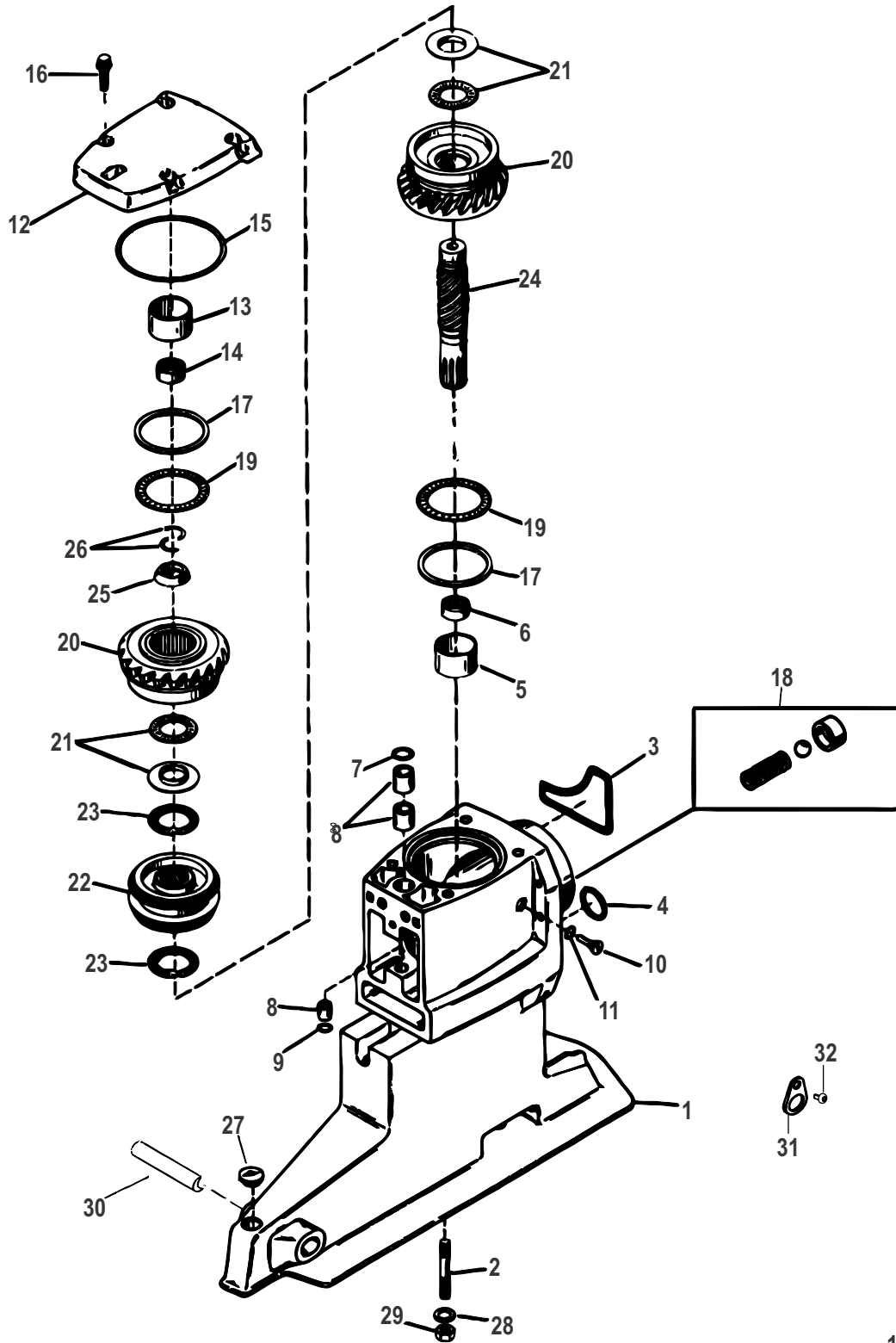
NOTE: FOR CONTINUITY CIRCUIT COMPONENTS, SEE "CONTINUITY KIT"

18720

BELL HOUSING

Ref #	Part Class	Part Number	Description	Comments	Qty	Note
1	0000	41646A9	BELL HOUSING ASSEMBLY	(USE WITH TRIM SENDERS)	1	
1	0000	41646A10	BELL HOUSING ASSEMBLY	(USE WITHOUT TRIM SENDERS)	1	
2	0012	806241	WASHER	(USE WITH TRIM SENDERS)	2	
3	0016	59579	STUD (.437-14/.437-20 x 2.812)		6	
4	0000	41674	INSERT		1	
5	0025	62705	O-RING		1	
6	0023	847637	BUSHING	(USE WITHOUT TRIM SENDERS)	2	
7	0012	35935	WASHER (.435 x .875 x .105) Stainless Steel		6	
8	0011	134391	NUT (.4375-20)		6	
9	0000	86840A3	BELLOWS ASSEMBLY		1	
10	0054	86049	CLIP Grounding		1	
11	0054	815504372	CLAMP Worm Gear		1	
12	0000	86814	SLEEVE		1	
13	0000	18654A1	BELLOWS ASSEMBLY		1	
13	0000	78458A1	TUBE		1	
14	0054	86049	CLIP Grounding		2	
15	0054	815504348	CLAMP Worm Gear		2	
16	0000	815303	ADAPTER		1	
17	0032	5495025	TUBING (25.00 Feet Bulk)		1	
18	0054	12994	CLIP		1	
19	0054	816606	CLAMP		1	
20	0022	816594A1	FITTING ASSEMBLY		1	
21	0022	56800	PLUG Pipe (.0625-27)		1	
22	0022	814382	CONNECTOR		1	
23	0054	818557	CLAMP		2	
24	0000	18920A1	VALVE ASSEMBLY	(USE WITH OIL RESERVOIR)	1	
25	0025	48171	O-RING (.364. x .070)	(USE WITH OIL RESERVOIR)	2	

DRIVESHAFT HOUSING AND DRIVE GEARS (GASOLINE ENGINE)



18721

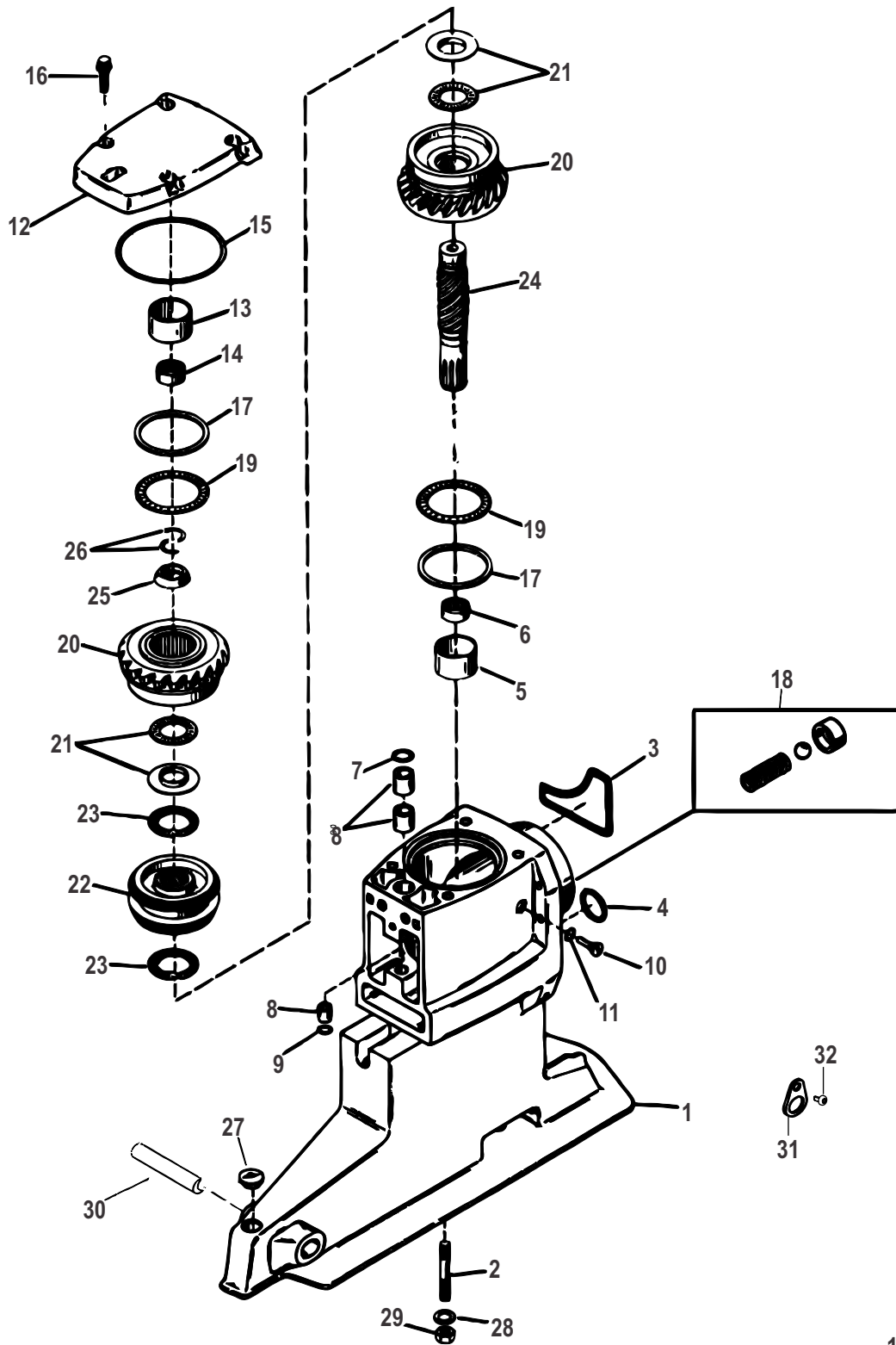
DRIVESHAFT HOUSING AND DRIVE GEARS (GASOLINE ENGINE)

DRIVESHAFT HOUSING AND DRIVE GEARS (GASOLINE ENGINE)

Ref #	Part Class	Part Number	Description	Comments	Qty	Note
1	1589	8868G21	HOUSING ASSEMBLY Driveshaft		1	
2	0016	579203	STUD (.437-14/.437-20 x 2.060)		4	
3	0000	16755A1	SEAL		1	[1]
4	0025	45710	O-RING (1.424 x .103)		1	[1]
5	0031	815900	BEARING		1	
6	0031	87156	BEARING ASSEMBLY Roller		1	
7	0025	62705	O-RING		1	[1]
8	0023	861209A1	BUSHING KIT		1	
9	0026	12709	SEAL Oil		1	[1]
10	0022	67892A1	FITTING KIT Magnetic, Plug Fill/Drain		1	
11	0012	19183	WASHER Fiber		1	[1]
12	0000	92068A6	TOP COVER		1	
13	0031	815900	BEARING		1	
14	0031	87156	BEARING ASSEMBLY Roller		1	
15	0025	97387	O-RING		1	[1]
16	0010	98794	SCREW (.375-16 x 1.00)		4	
17	0023	87560091	BEARING Thrust (.091)	(RED)	AR	[2]
17	0023	87560094	BEARING Thrust (.094)	(LIGHT BLUE)	AR	[2]
17	0023	87560097	BEARING Thrust (.097)	(GREEN)	AR	[2]
18	0024	17997A1	SPRING KIT		1	[1]
19	0031	86771	BEARING Thrust		2	
20	0043	807436A6	GEAR (1.50:1 BRAVO I) (1.65:1 BRAVO II & III) (2.00:1 BRAVO II & III)	(32 TEETH - MATES WITH 27 TOOTH PINION GEAR)	2	[3]
20	0043	807436A7	GEAR (1.50:1 BRAVO III)	(32 TEETH - MATES WITH 27 TOOTH PINION GEAR)	2	[3]
20	0043	807438A5	GEAR (1.36:1 BRAVO I)	[0K103438] & Below	2	[3]
20	0043	807438A5	GEAR (1.36:1 BRAVO III & 1.50:1 BRAVO II)	[0K262209] & Below	2	[3]
20	0043	807438A5	GEAR (1.81:1 BRAVO II & III)		2	[3]
20	0043	807438A6	GEAR (1.36:1 BRAVO I)	[0K103439] & Up	2	[3]
20	0043	807438A6	GEAR (1.36:1 BRAVO III & BRAVO II)	[0K262210] & Up	2	[3]
20	0043	807437A5	GEAR (1.65:1 BRAVO I) (2.20:1 BRAVO II & III) (2.43:1 BRAVO III)	(30 TEETH - MATES WITH 23 TOOTH PINION GEAR)	2	[3]
21	0031	86768A2	BEARING ASSEMBLY Thrust		1	
22	0052	807375A1	CLUTCH AND CAM KIT	(Refer to Service Bulletin 2001-17 for replacement parts) [0K090999] & Below	1	
22	0052	807375A2	CLUTCH ASSEMBLY	(Refer to Service Bulletin 2001-17 for replacement parts) [0K091000] & Up	1	
23		N.S.S.	Not Sold Separate Spring	[0K090999] & Below	2	
23	0024	93505	SPRING	[0K091000] & Up	2	
24	0045	812773T	DRIVESHAFT		1	
25	0023	86770	COLLAR		1	
26	0000	97351	KEEPER		2	[1]

DRIVESHAFT HOUSING AND DRIVE GEARS (GASOLINE ENGINE)

DRIVESHAFT HOUSING AND DRIVE GEARS (GASOLINE ENGINE)



18721

DRIVESHAFT HOUSING AND DRIVE GEARS (GASOLINE ENGINE)

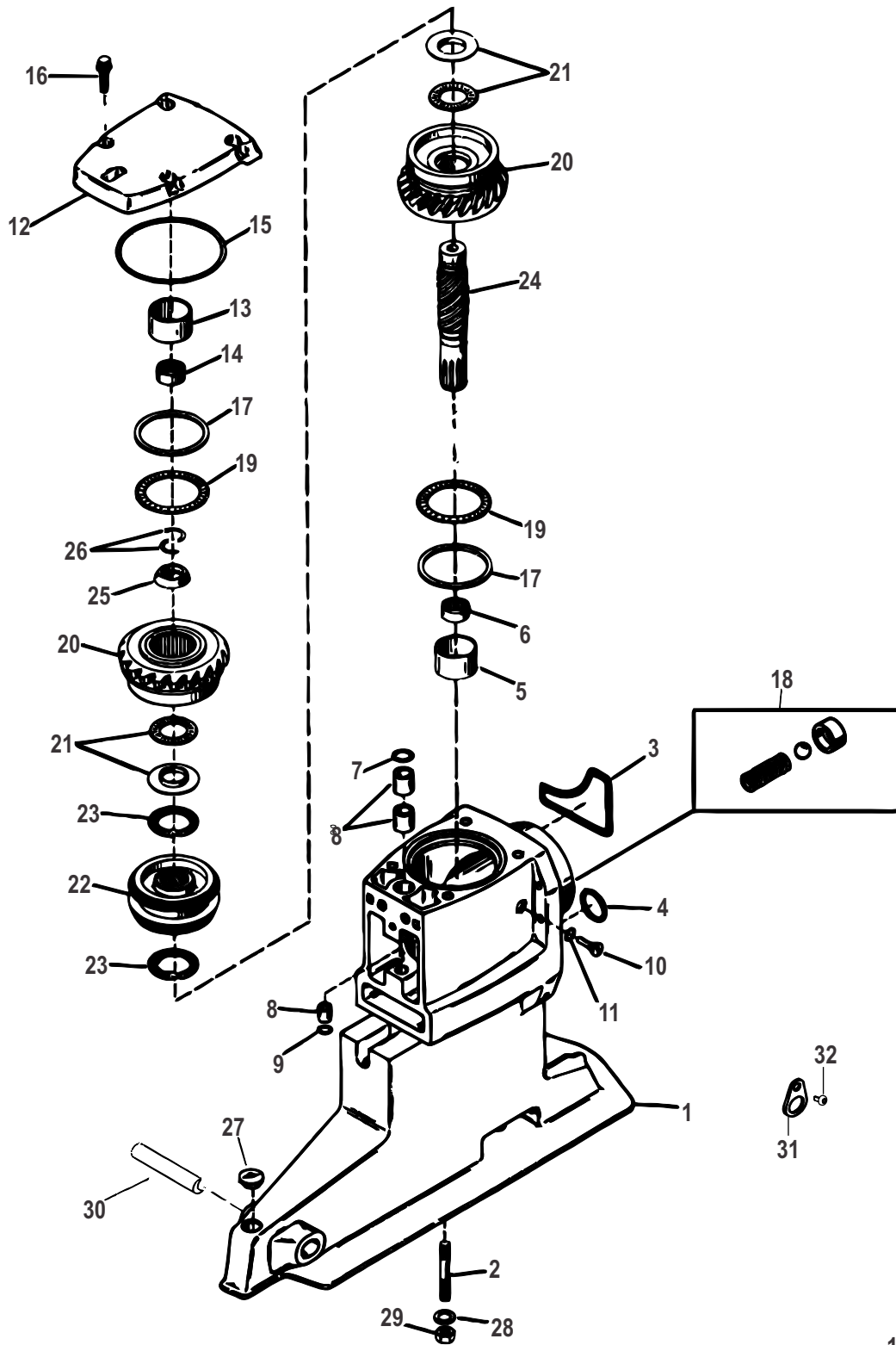
DRIVESHAFT HOUSING AND DRIVE GEARS (GASOLINE ENGINE)

Ref #	Part Class	Part Number	Description	Comments	Qty	Note
27	0019	32297	PLUG		1	
28	0012	91964	WASHER		4	
29	0011	35053	NUT (.437-20)		4	
30	0000	808006	INSERT Trim Adjustment		1	
31	0000	42276	PLATE Ground		1	
32	0010	807754	SCREW (#10-24 x .38)		1	
-	0026	16709A2	SEAL KIT		1	

PART NOTES:

- [1] - COMPONENT OF DRIVESHAFT HOUSING SEAL KIT 16709A 2
- [2] - AS REQUIRED
- [3] - Refer to Service Bulletin 2001-17 for Replacement Parts

DRIVESHAFT HOUSING AND DRIVE GEARS (DIESEL ENGINE)



18721

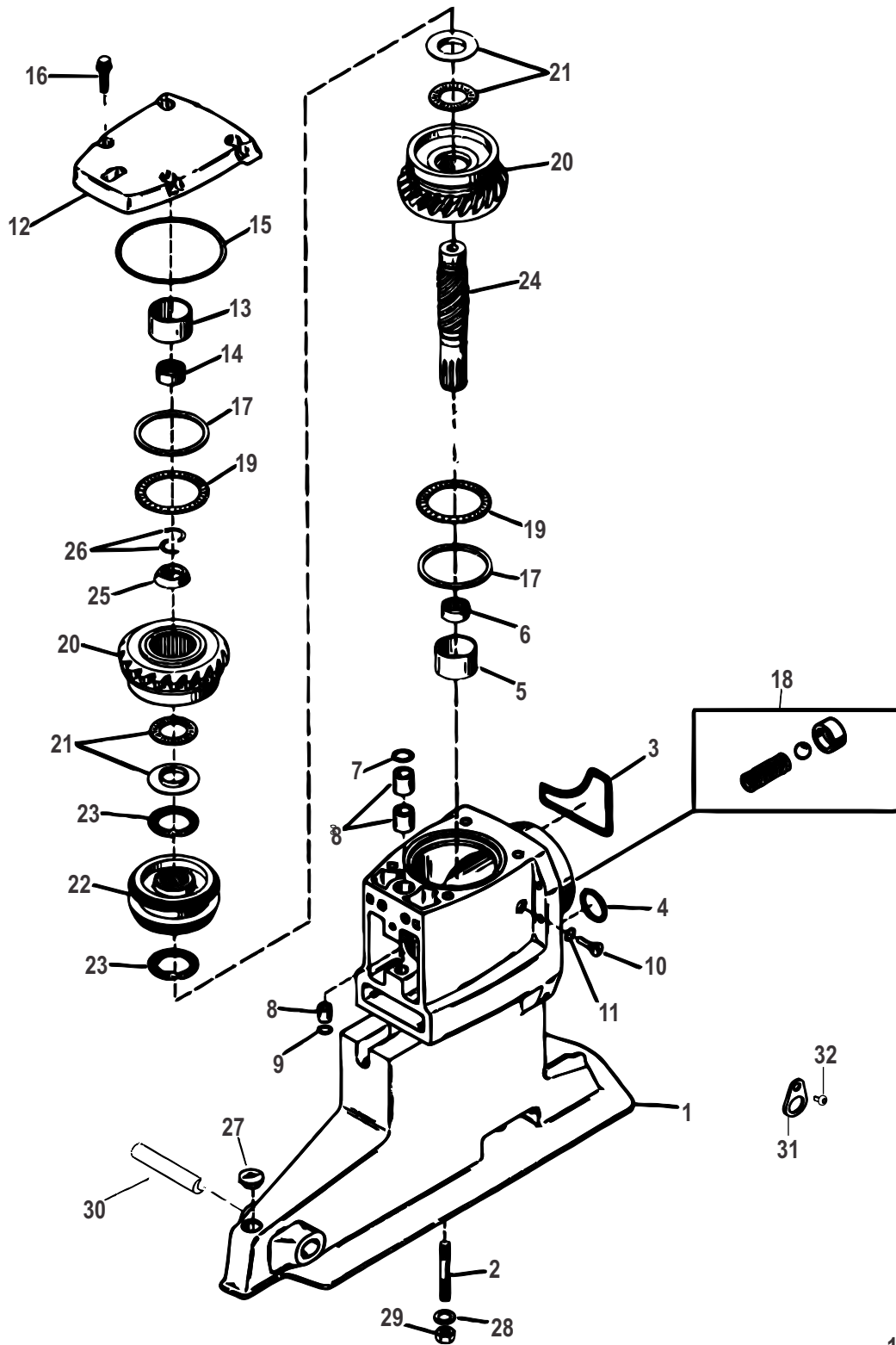
DRIVESHAFT HOUSING AND DRIVE GEARS (DIESEL ENGINE)

DRIVESHAFT HOUSING AND DRIVE GEARS (DIESEL ENGINE)

Ref #	Part Class	Part Number	Description	Comments	Qty	Note
1	1589	8868G21	HOUSING ASSEMBLY Driveshaft		1	
2	0016	579203	STUD (.437-14/.437-20 x 2.060)		4	
3	0000	16755A1	SEAL		1	[1]
4	0025	45710	O-RING (1.424 x .103)		1	[1]
5	0031	815900	BEARING		1	
6	0031	87156	BEARING ASSEMBLY Roller		1	
7	0025	62705	O-RING		1	[1]
8	0023	861209A1	BUSHING KIT		1	
9	0026	12709	SEAL Oil		1	[1]
10	0022	67892A1	FITTING KIT Magnetic, Plug Fill/Drain		1	
11	0012	19183	WASHER Fiber		1	[1]
12	0000	92068A6	TOP COVER		1	
13	0031	815900	BEARING		1	
14	0031	87156	BEARING ASSEMBLY Roller		1	
15	0025	97387	O-RING		1	[1]
16	0010	98794	SCREW (.375-16 x 1.00)		4	
17	0023	87560091	BEARING Thrust (.091)	(RED)	AR	[2]
17	0023	87560094	BEARING Thrust (.094)	(LIGHT BLUE)	AR	[2]
17	0023	87560097	BEARING Thrust (.097)	(GREEN)	AR	[2]
18	0024	17997A1	SPRING KIT		1	[1]
19	0031	86771	BEARING Thrust		2	
20	0043	856184A1	GEAR SET (1.50:1 BRAVO I & III, 1.65:1 BRAVO II & III, 2.00:1 BRAVO II & III)	(27/32 TEETH)	1	[3]
20	0043	856186A1	GEAR SET (1.36:1 BRAVO I & III, 1.50:1 BRAVO II, 1.81:1 BRAVO II & III)	(27/29 TEETH)	1	[3]
20	0043	856188A1	GEAR SET (1.65:1 BRAVO I, 2.20:1 BRAVO II & III, 2.43:1 BRAVO III)	(23/30 TEETH)	1	[3]
21	0031	86768A2	BEARING ASSEMBLY Thrust		1	
22	0052	807375A2	CLUTCH ASSEMBLY	(Refer to Service Bulletin 2001-17 for replacement parts)	1	
23	0024	93505	SPRING		2	
24	0045	812773T	DRIVESHAFT		1	
25	0023	86770	COLLAR		1	
26	0000	97351	KEEPER		2	[1]
27	0019	32297	PLUG		1	
28	0012	91964	WASHER		4	
29	0011	35053	NUT (.437-20)		4	
30	0000	808006	INSERT Trim Adjustment		1	
31	0000	42276	PLATE Ground		1	
32	0010	807754	SCREW (#10-24 x .38)		1	
-	0026	16709A2	SEAL KIT		1	

DRIVESHAFT HOUSING AND DRIVE GEARS (DIESEL ENGINE)

DRIVESHAFT HOUSING AND DRIVE GEARS (DIESEL ENGINE)



18721

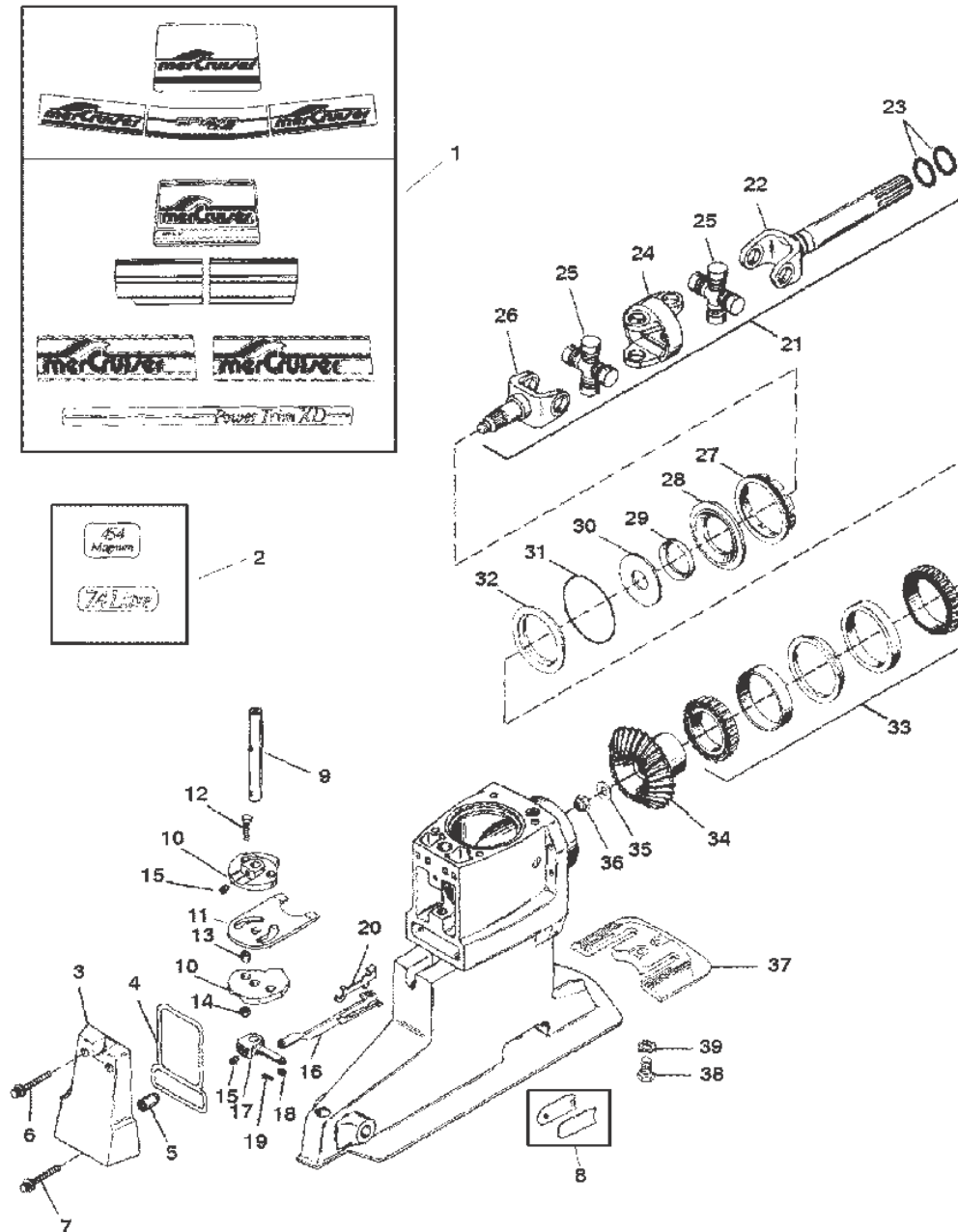
DRIVESHAFT HOUSING AND DRIVE GEARS (DIESEL ENGINE)

DRIVESHAFT HOUSING AND DRIVE GEARS (DIESEL ENGINE)

PART NOTES:

- [1] - COMPONENT OF DRIVESHAFT HOUSING SEAL KIT 16709A 2
- [2] - AS REQUIRED
- [3] - Refer to Service Bulletin 2001-17 for Replacement Parts

UNIVERSAL JOINT/SHIFTER COMPONENTS



18722

RESOURCE NOTES:

NOTE 2: THIS GEAR IS FOR GASOLINE ENGINE APPLICATIONS ONLY. FOR DIESEL APPLICATIONS, ORDER COMPLETE GEAR SET, SEE "DRIVESHAFT HOUSING AND DRIVE GEARS (DIESEL)" REF# 20 FOR P/N.

NOTE 1: SEE "DECAL SET CHART" FOR DECAL SET PART NUMBERS

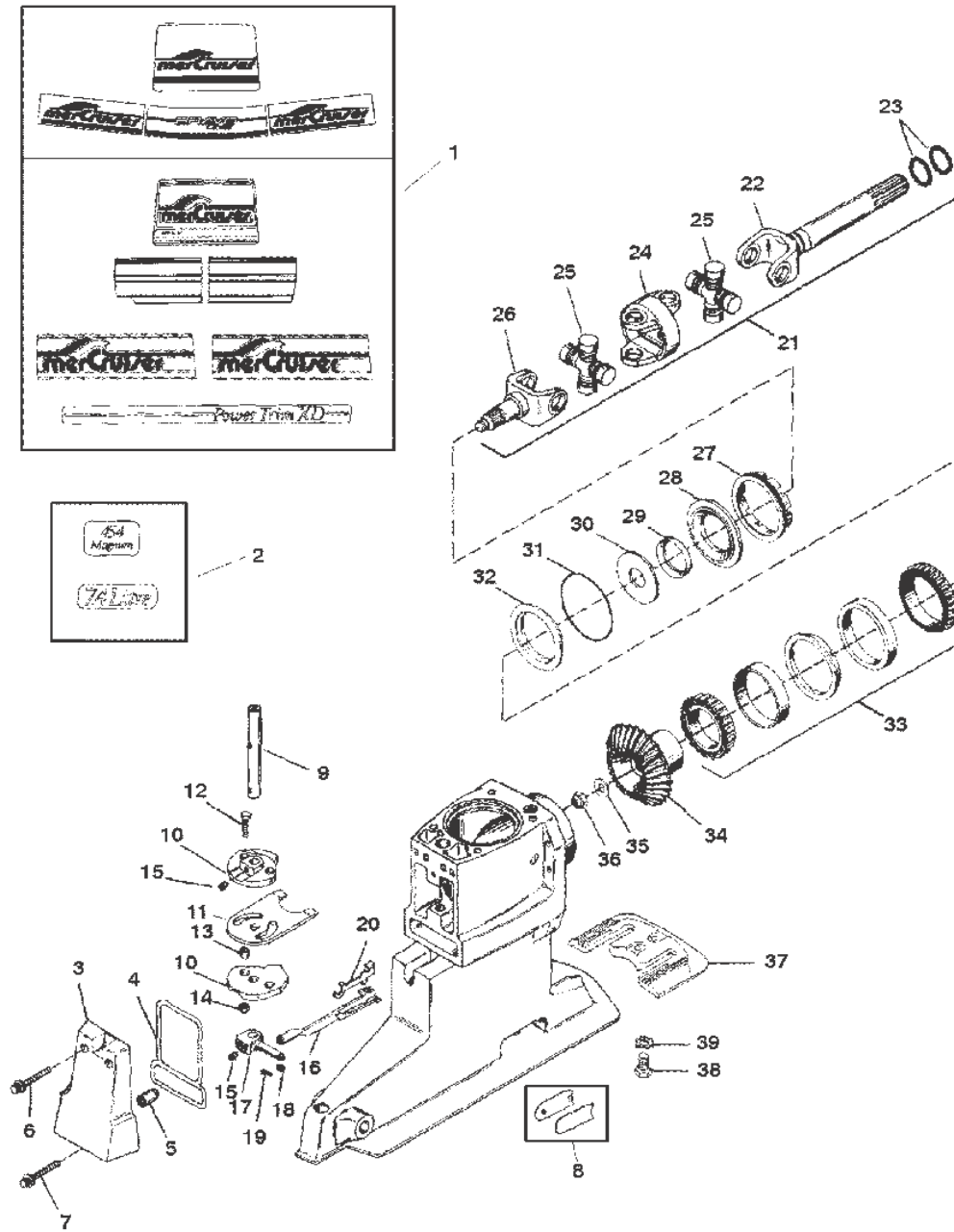
UNIVERSAL JOINT/SHIFTER COMPONENTS

UNIVERSAL JOINT/SHIFTER COMPONENTS

Ref #	Part Class	Part Number	Description	Comments	Qty	Note
1		SEENOTE		SEE "DECAL SET CHART" FOR DECAL SET PART NUMBERS	1	
2		SEENOTE		SEE "DECAL SET CHART" FOR DECAL SET PART NUMBERS	1	
3	0000	12717A1	COVER ASSEMBLY		1	
4	0000	12708	SEAL		1	[1]
5	0000	14497A2	DETENT ASSEMBLY		1	
6	0010	98794	SCREW (.375-16 x 1.00)		2	
7	0010	87158	SCREW (.375-16 x 1.875)		1	
8	0000	805261A1	WEAR PAD KIT		1	
9	0000	12711	SHAFT		1	
10	0052	807375A1	CLUTCH AND CAM KIT	(Refer to Service Bulletin 2001-17 for replacement parts) [OK090999] & Below	1	
10	0000	806552A1	YOKE AND CAM ASSEMBLY	[OK091000] & Up	1	
11		N.S.S.	Not Sold Separate Yoke-Shifter	[OK090999] & Below	1	
11	0000	806552	YOKE Shifter	[OK091000] & Up	1	
12	0010	805733	SCREW (.250-28 x 1.00)		2	
13	0023	12706	SPACER (.194 x .375)		2	
14	0011	35045	NUT (.250-28)		2	
15	0010	38615	SCREW (.250-28 x .750)	(Shift Lever)	1	
15	0010	805543	SCREW (1.25 inch)	(Shift Cam)	1	
16	0000	861175A2	SHIFT LINKAGE ASSEMBLY High Bump Shift Lever		1	
17	0000	12712	LEVER		1	
18	0012	20583	WASHER		1	
19	0018	26953	COTTER PIN		1	
20	0000	86776	LATCH		1	
21	0000	12784A10	UNIVERSAL JOINT ASSEMBLY	(STANDARD)	1	
21	0000	12784A19	UNIVERSAL JOINT ASSEMBLY	(USE WITH BLACK TRAC)	1	
22	0000	59830A7	YOKE ASSEMBLY (COUPLER END)	(STANDARD)	1	
22	0000	59830A8	YOKE ASSEMBLY (COUPLER END)	(USE WITH BLACK TRAC)	1	
23	0025	29845	O-RING (.924 x .103)		2	[1]
23	0025	35027	O-RING (1.046)		1	[1]
24	0000	39383T	SOCKET Center		1	
25	0000	758321	CROSS AND BEARING		2	
26	0000	12784	YOKE Gear End		1	
27	0011	92004	RING NUT		1	
28	0000	86779A1	CARRIER ASSEMBLY		1	
29	0026	807006	SEAL Oil		1	[1]
30	0012	41613	WASHER		1	
31	0785	97386	O-RING (3.609 x .139)		1	[1]
32	0000	86780	RING		1	

UNIVERSAL JOINT/SHIFTER COMPONENTS

UNIVERSAL JOINT/SHIFTER COMPONENTS



18722

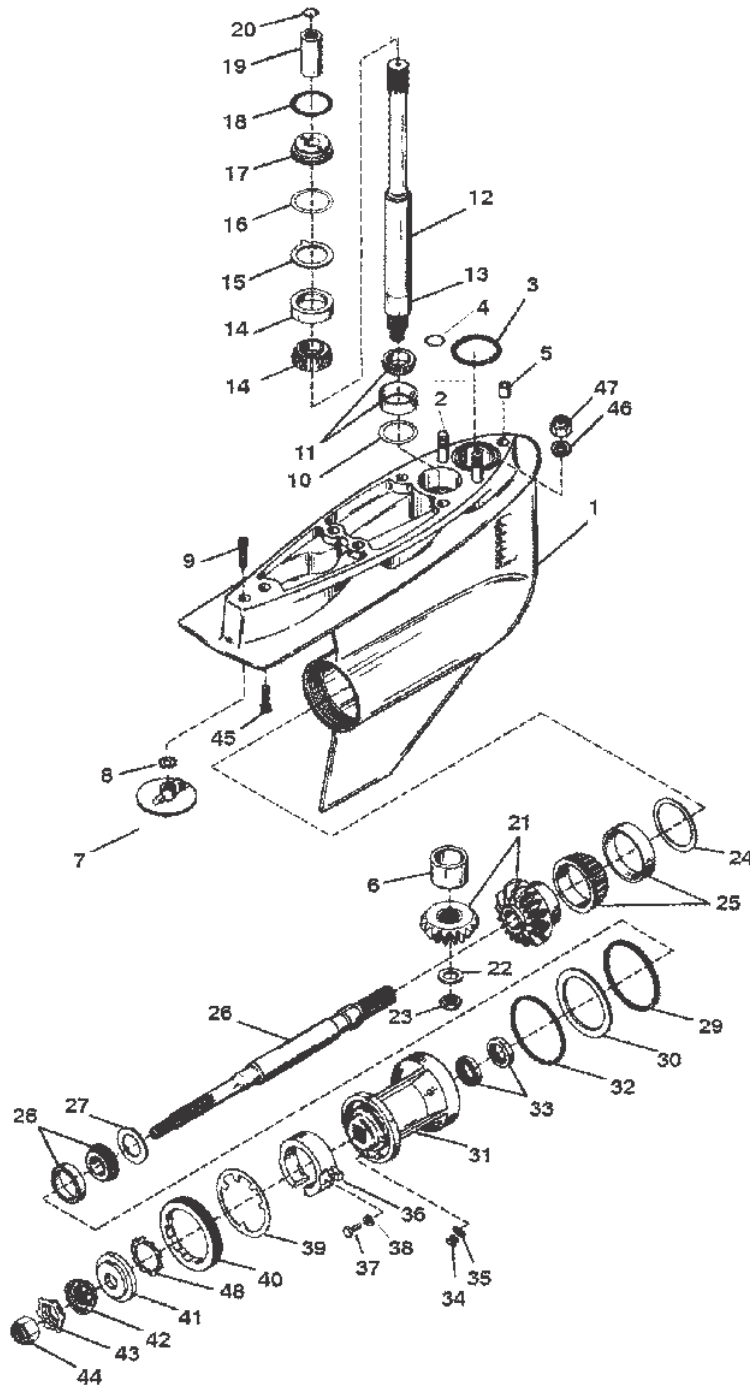
UNIVERSAL JOINT/SHIFTER COMPONENTS

Ref #	Part Class	Part Number	Description	Comments	Qty	Note
33	0031	86763A2	BEARING ASSEMBLY Tapered Roller		1	
34	0043	826642T	GEAR Pinion (1.50:1 BRAVO I & III, 1.65:1 BRAVO II & III, 2.00:1 BRAVO II & III)	(SEE NOTE 2) (27 TEETH - MATES WITH 32 TOOTH DRIVE GEAR)	1	
34	0043	815661T	GEAR Pinion (1.36:1 BRAVO I & III, 1.50:1 BRAVO II, 1.81:1 BRAVO II & III)	(SEE NOTE 2) (27 TEETH - MATES WITH 29 TOOTH DRIVE GEAR)	1	
34	0043	818664	GEAR Pinion (1.65:1 BRAVO I, 2.20:1 BRAVO II & III, 2.43:1 BRAVO III)	(SEE NOTE 2) (23 TEETH - MATES WITH 30 TOOTH DRIVE GEAR)	1	
35	0012	44539	WASHER		1	
36	0011	97522	NUT (.625-18)		1	
37	0000	821630A1	ANODE ASSEMBLY		1	[2]
38	0010	65210	SCREW (.375-16 x 1.00)		2	
39	0013	35479	LOCKWASHER (.375)		2	
-	0026	16709A2	SEAL KIT		1	

PART NOTES:

- [1] - COMPONENT OF DRIVESHAFT HOUSING SEAL KIT 16709A 2
- [2] - Alternate part numbers:
821630A 1Service Part
821630A 2Magnesium
821630Q 1QS
821630T 1MPP

GEAR HOUSING (BRAVO I)



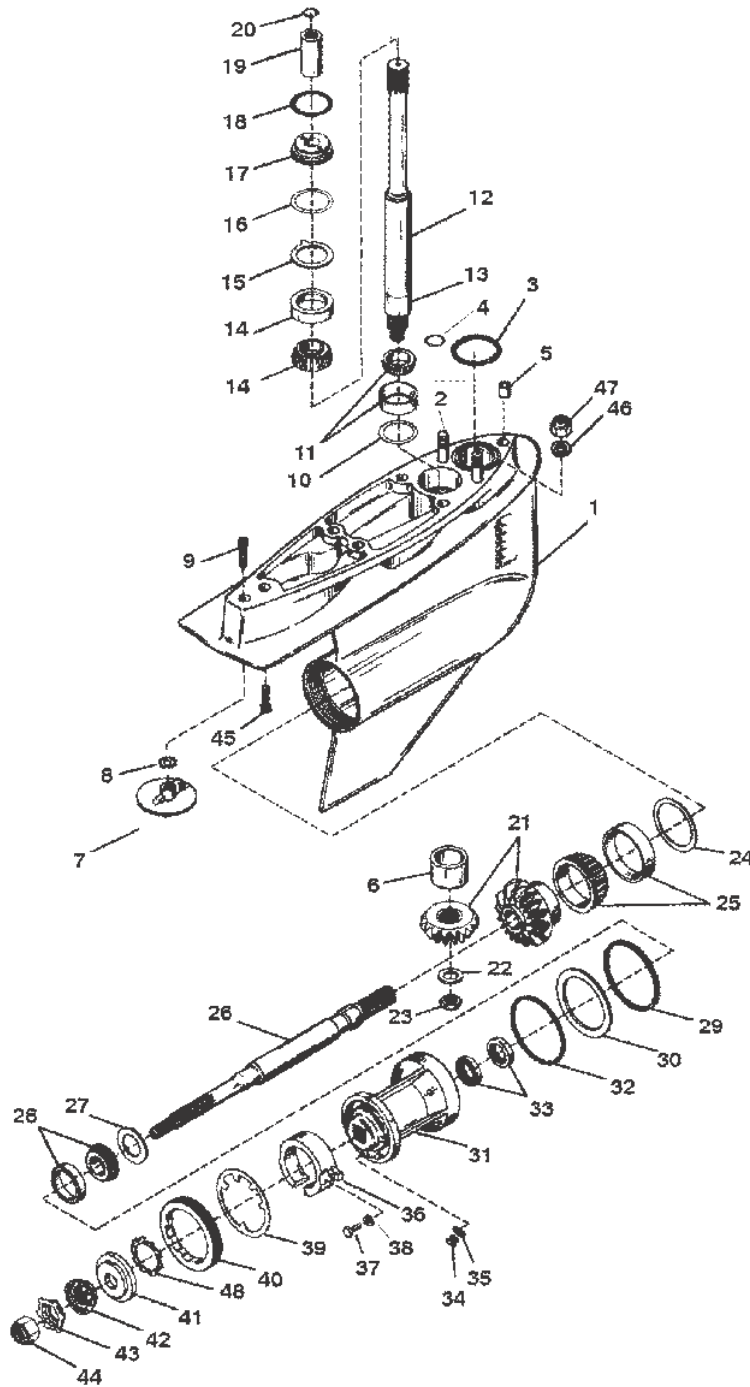
18723

GEAR HOUSING (BRAVO I)

Ref #	Part Class	Part Number	Description	Comments	Qty	Note
-	1656	8866A15	GEAR HOUSING ASSEMBLY Complete	(STANDARD)	1	[1]
-	1656	8866A55	GEAR HOUSING ASSEMBLY Complete	(BRAVO I PERFORMANCE)	1	
1	1656	8866A17	GEAR HOUSING ASSEMBLY	(STANDARD)	1	
1	1656	8866A54	GEAR HOUSING ASSEMBLY	(BRAVO I PERFORMANCE)	1	
2	0016	579203	STUD (.437-14/.437-20 x 2.060)		2	
3	0025	33465	O-RING		1	[2]
4	0026	455771	SEAL		1	[2]
5	0026	805344	SEAL (.625 Outside Diameter)		1	
6	0031	86754	BEARING Roller		1	
7	0000	76214A5	ANODE KIT		1	
8	0013	806210	LOCKWASHER (.437)		1	
9	0010	806327	SCREW (.437-14 x 1.750)		1	
10	0015	92914A1	SHIM KIT		AR	[3]
11	0031	66668A1	BEARING ASSEMBLY Tapered Roller		1	
12	0045	41629A2	DRIVESHAFT ASSEMBLY		1	
13	0031	815901	RACE Bearing		1	
14	0031	86748A1	BEARING ASSEMBLY Tapered Roller		1	
15	0014	86739	TAB WASHER		1	
16	0015	86749A1	SHIM KIT		AR	[3]
17	0023	92916	SPACER		1	
18	0025	20826	O-RING (2.230 x .139)		1	[2]
19	0000	88243A3	COUPLING ASSEMBLY		1	
20	0053	88242	RING Retaining		1	
21	0043	14063A1	GEAR SET (15/19)		1	[4]
22	0012	86746	WASHER		1	
23	0011	20739	NUT (.750-16)		1	
24	0015	87157A1	SHIM KIT		AR	[3]
25	0031	86752A1	BEARING ASSEMBLY Tapered Roller		1	
26	0044	41630T	PROPELLER SHAFT		1	
27	0012	90886	WASHER		1	
28	0031	66668A1	BEARING ASSEMBLY Tapered Roller		1	
29	0000	67440T	LOAD RING		1	
30	0012	42256	THRUST WASHER (.105 Inch Thick)		1	
31	0000	41641A8	CARRIER ASSEMBLY Bearing		1	
32	0025	31534	O-RING		1	[2]
33	0026	76868	SEAL		2	[2]
34	0022	67892A1	FITTING KIT Magnetic, Plug Fill/Drain		1	
35	0012	19183	WASHER Fiber		1	[2]
36	0097	806188A1	ANODE ASSEMBLY		1	[5]

GEAR HOUSING (BRAVO I)

GEAR HOUSING (BRAVO I)



18723

GEAR HOUSING (BRAVO I)

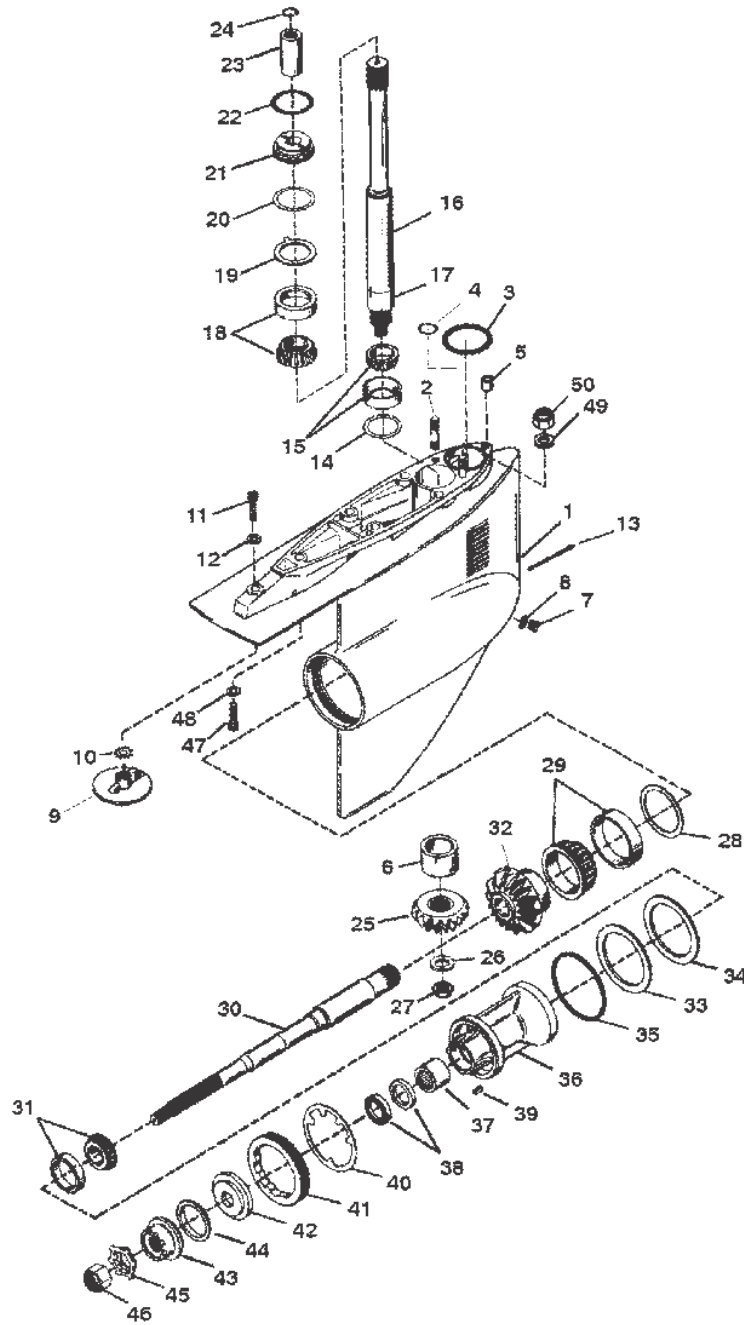
Ref #	Part Class	Part Number	Description	Comments	Qty	Note
37	0010	806290	SCREW (#10-32 x .625)		2	
38	0013	69432	LOCKWASHER External (#10)		2	
39	0014	18323	TAB WASHER		1	
40	0000	79448	RETAINER		1	
41	0012	8354671	THRUST HUB		1	[6]
42	0012	31211A2	WASHER Splined		1	[7]
43	0014	816629	TAB WASHER		1	[8]
44	0011	827614	PROP NUT		1	
45	0010	90084	SCREW (.437-14 x 1.500)		1	
46	0012	91964	WASHER		2	
47	0011	35053	NUT (.437-20)		2	
48	0013	423511	LOCKWASHER Toothed		1	
-	0026	76868A2	SEAL KIT		-	

PART NOTES:

- [1] - Alternate part numbers:
8866A15QS
8866R63Reman
- [2] - COMPONENT OF GEAR HOUSING SEAL KIT 76868A 2
- [3] - AS REQUIRED
- [4] - Alternate part numbers:
14063A 1Service Part
803081T02Kit
- [5] - Alternate part numbers:
806188A 1Service Part
806188A 2Magnesium
806188K01MPP
806188Q01QS
- [6] - Alternate part numbers:
835467 1Service Part
835467K01MPP
835467Q01QS
- [7] - Alternate part numbers:
31211A 2Service Part
31211K03MPP
31211Q03QS
- [8] - Alternate part numbers:
816629Service Part
816629KMPP
816629QQS

GEAR HOUSING (BRAVO I)

GEAR HOUSING (BRAVO II)



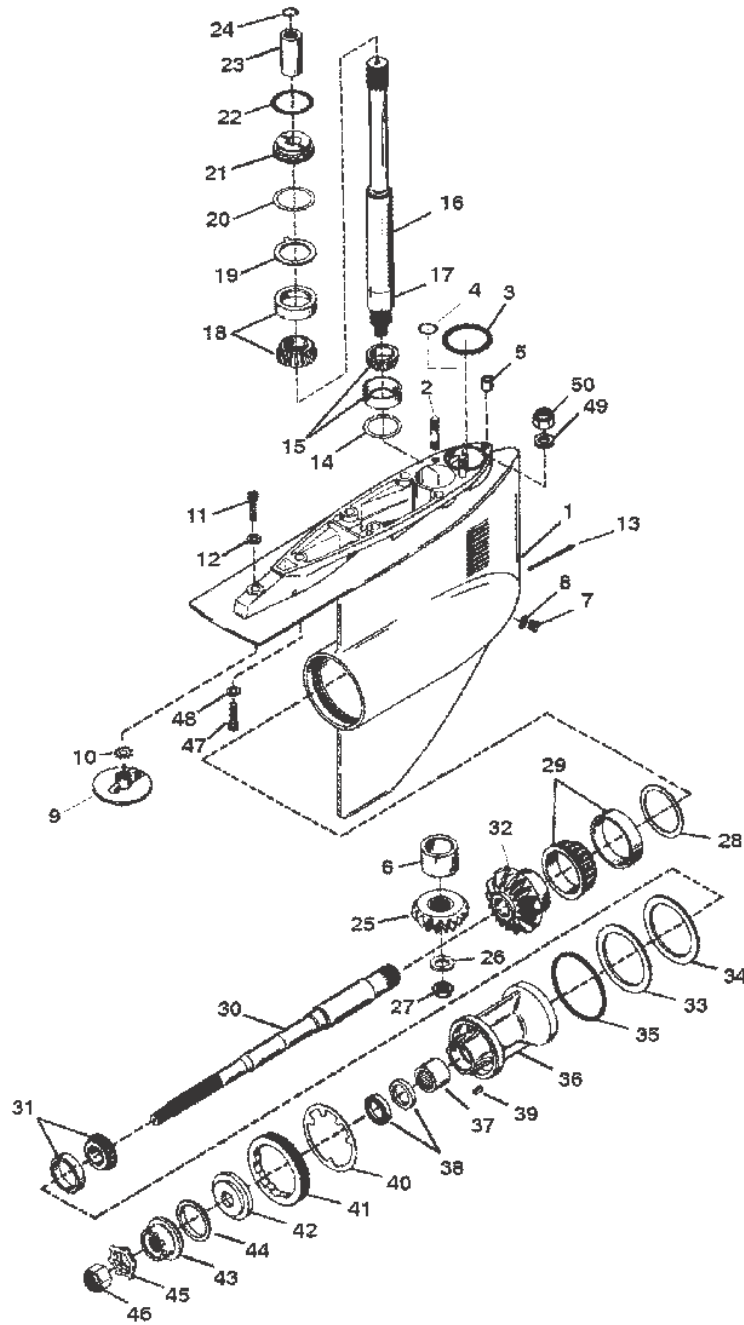
18724

GEAR HOUSING (BRAVO II)

Ref #	Part Class	Part Number	Description	Comments	Qty	Note
-	1641	8294A19	GEAR HOUSING ASSEMBLY (1.50:1 - 1.65:1 Ratio)		1	
-	1641	8294A16	GEAR HOUSING ASSEMBLY (1.81:1 - 2.00:1 - 2.20:1 Ratio)		1	[1]
1	1641	8294A14	GEAR HOUSING ASSEMBLY		1	
2	0016	579203	STUD (.437-14/.437-20 x 2.060)		2	
3	0025	33465	O-RING		1	[2]
4	0026	455771	SEAL		1	[2]
5	0026	805344	SEAL (.625 Outside Diameter)		1	
6	0031	86754	BEARING Roller		1	
7	0022	67892A1	FITTING KIT Magnetic, Plug Fill/Drain		2	
8	0012	19183	WASHER Fiber		1	[2]
9	0000	76214A5	ANODE KIT		1	
10	0013	806210	LOCKWASHER (.437)		1	
11	0010	90084	SCREW (.437-14 x 1.500)		1	
12	0012	91964	WASHER		1	
13	0023	850186	TUBE		1	
14	0015	92914A1	SHIM KIT		AR	[3]
15	0031	66668A1	BEARING ASSEMBLY Tapered Roller		1	
16	0045	812561A2	DRIVESHAFT ASSEMBLY		1	
17	0031	815901	RACE Bearing		1	
18	0031	86748A1	BEARING ASSEMBLY Tapered Roller		1	
19	0014	86739	TAB WASHER		1	
20	0015	86749A1	SHIM KIT		AR	[3]
21	0023	92916	SPACER		1	
22	0025	20826	O-RING (2.230 x .139)		1	[2]
23	0000	88243A3	COUPLING ASSEMBLY		1	
24	0053	88242	RING Retaining		1	
25	0043	41656	GEAR Pinion (1.81:1 - 2.00:1 - 2.20:1 Ratio)	(16 TEETH)	1	
25	0043	827304	GEAR Pinion (1.50:1 - 1.65:1 Ratio)	(18 TEETH)	1	
26	0012	86746	WASHER		1	
27	0011	20739	NUT (.750-16)		1	
28	0015	55499A1	SHIM ASSEMBLY		AR	[3]
29	0031	54038A1	BEARING ASSEMBLY Tapered Roller		1	
30	0044	62820	PROPELLER SHAFT		1	
31	0031	54036A1	BEARING ASSEMBLY Tapered Roller		1	
32	0043	41657T	GEAR DRIVE (1.81:1 - 2.00:1 - 2.20:1 Ratio)	(27 TEETH)	1	[4]
32	0043	827303	GEAR DRIVE (1.50:1 - 1.65:1 Ratio)	(25 TEETH)	1	
33	0000	860323	RING Thrust		1	
34	0023	66093T	RING Load		1	

GEAR HOUSING (BRAVO II)

GEAR HOUSING (BRAVO II)



18724

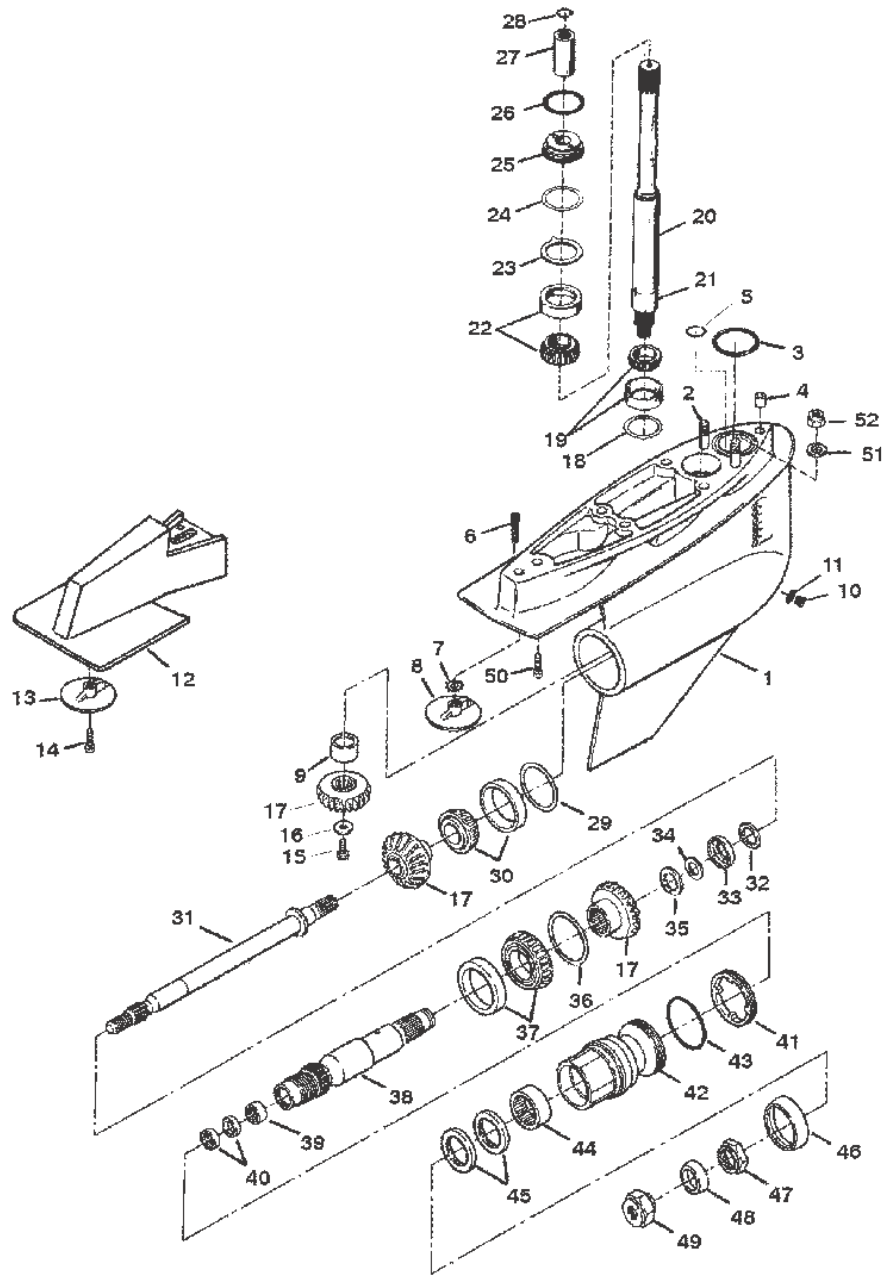
GEAR HOUSING (BRAVO II)

Ref #	Part Class	Part Number	Description	Comments	Qty	Note
35	0025	34821	O-RING		1	[2]
36	0000	62813A4	CARRIER ASSEMBLY Bearing		1	
37	0031	54042T	BEARING Roller		1	
38	0026	814242	SEAL Oil Fish Line Cutter		1	
38	0026	821092	SEAL Oil		1	[2]
39	0028	30281	KEY		1	
40	0014	54167	TAB WASHER		1	
41	0000	54163	RETAINER		1	
42	0000	55074T	THRUST HUB		1	
43	0012	55073A2	WASHER ASSEMBLY		1	
44	0012	55072	WASHER		1	
45	0014	34817	TAB WASHER		1	
46	0011	54034	NUT (1.0-14)		1	
47	0010	90085	SCREW (.4375-14 x 2.75)		1	
48	0013	47659	LOCKWASHER (.437)		1	
49	0012	91964	WASHER		2	
50	0011	35053	NUT (.437-20)		2	
-	0026	76868A2	SEAL KIT		1	

PART NOTES:

- [1] - Alternate part numbers:
8294A16QS
8294R16Reman
- [2] - COMPONENT OF GEAR HOUSING SEAL KIT 76868A 2
- [3] - AS REQUIRED
- [4] - Alternate part numbers:
41657TService Part
803083T02Kit

GEAR HOUSING (BRAVO III)(TWO PIECE HOUSING)



18725

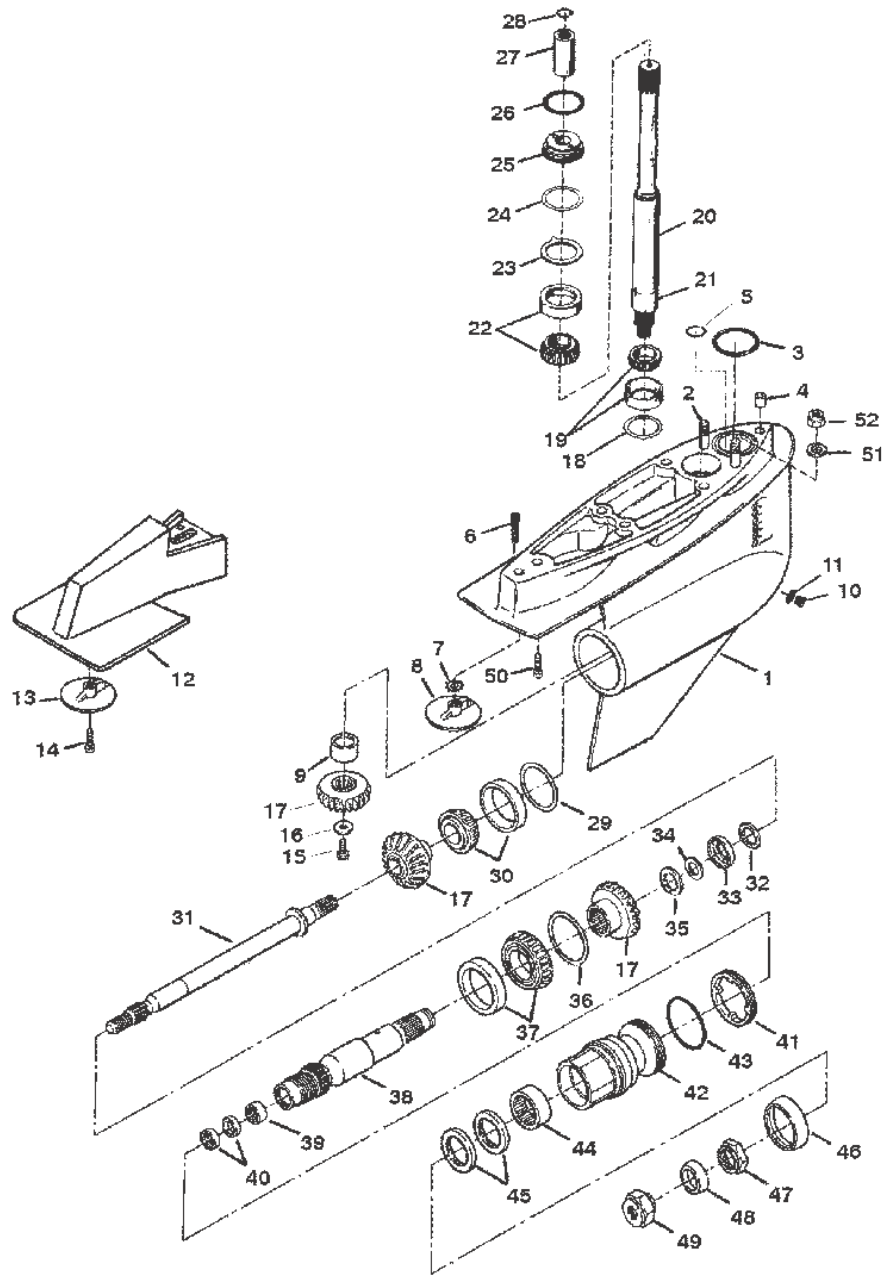
GEAR HOUSING (BRAVO III)(TWO PIECE HOUSING)

GEAR HOUSING (BRAVO III)(TWO PIECE HOUSING)

Ref #	Part Class	Part Number	Description	Comments	Qty	Note
-	1656	8866A46	GEAR HOUSING ASSEMBLY (1.36:1 - 1.50:1 Ratio)		1	
-	1656	8866A45	GEAR HOUSING ASSEMBLY (1.65:1 Ratio)		1	
-	1656	8866A20	GEAR HOUSING ASSEMBLY (1.81:1 - 2.00:1 - 2.20:1 Ratio)		1	[1]
-	1656	8866A47	GEAR HOUSING ASSEMBLY (2.43:1 Ratio)		1	
1	1656	8866A18	GEAR HOUSING ASSEMBLY		1	
2	0016	579203	STUD (.437-14/.437-20 x 2.060)		2	
3	0025	33465	O-RING		1	[2]
4	0026	805344	SEAL (.625 Outside Diameter)		1	[2]
5	0026	455771	SEAL		1	[3]
6	0010	806327	SCREW (.437-14 x 1.750)		1	
7	0013	806210	LOCKWASHER (.437)		1	
8	0000	76214A5	ANODE KIT		1	
9	0031	86754	BEARING Roller		1	
10	0022	67892A1	FITTING KIT Magnetic, Plug Fill/Drain		1	
11	0012	19183	WASHER Fiber		1	[3]
12	0000	805702A1	PLATE ASSEMBLY Extension		1	
13	0097	762144	ANODE		1	
14	0010	806327	SCREW (.437-14 x 1.750)		1	
15	0010	34353	SCREW (.375-16 x 1.00)		1	
16	0012	805068	WASHER		1	
17	0043	805448A1	GEAR SET (15/19) (1.36:1 - 1.50:1 Ratio)		1	[4]
17	0043	824517A1	GEAR SET (18/25) (1.65:1 Ratio)		1	[5]
17	0043	822535A1	GEAR SET (16/27) (1.81:1 - 2.00:1 - 2.20:1 Ratio)		1	[6]
17	0043	828336A1	GEAR SET (13/24) (2.43:1 Ratio)		1	[7]
18	0015	92914A1	SHIM KIT		AR	[8]
19	0031	66668A1	BEARING ASSEMBLY Tapered Roller		1	
20	0045	805370A1	DRIVESHAFT		1	
21	0031	815901	RACE Bearing		1	
22	0031	86748A1	BEARING ASSEMBLY Tapered Roller		1	
23	0014	86739	TAB WASHER		1	
24	0015	86749A1	SHIM KIT		AR	[8]
25	0023	92916	SPACER		1	
26	0025	20826	O-RING (2.230 x .139)		1	[3]
27	0000	88243A3	COUPLING ASSEMBLY		1	
28	0053	88242	RING Retaining		1	
29	0015	87157A1	SHIM KIT		AR	[8]
30	0031	86752A1	BEARING ASSEMBLY Tapered Roller		1	
31	0044	805073T	PROPELLER SHAFT (INNER)		1	
32	0031	805322	BEARING Caged Roller		1	

GEAR HOUSING (BRAVO III)(TWO PIECE HOUSING)

GEAR HOUSING (BRAVO III)(TWO PIECE HOUSING)



18725

GEAR HOUSING (BRAVO III)(TWO PIECE HOUSING)

GEAR HOUSING (BRAVO III)(TWO PIECE HOUSING)

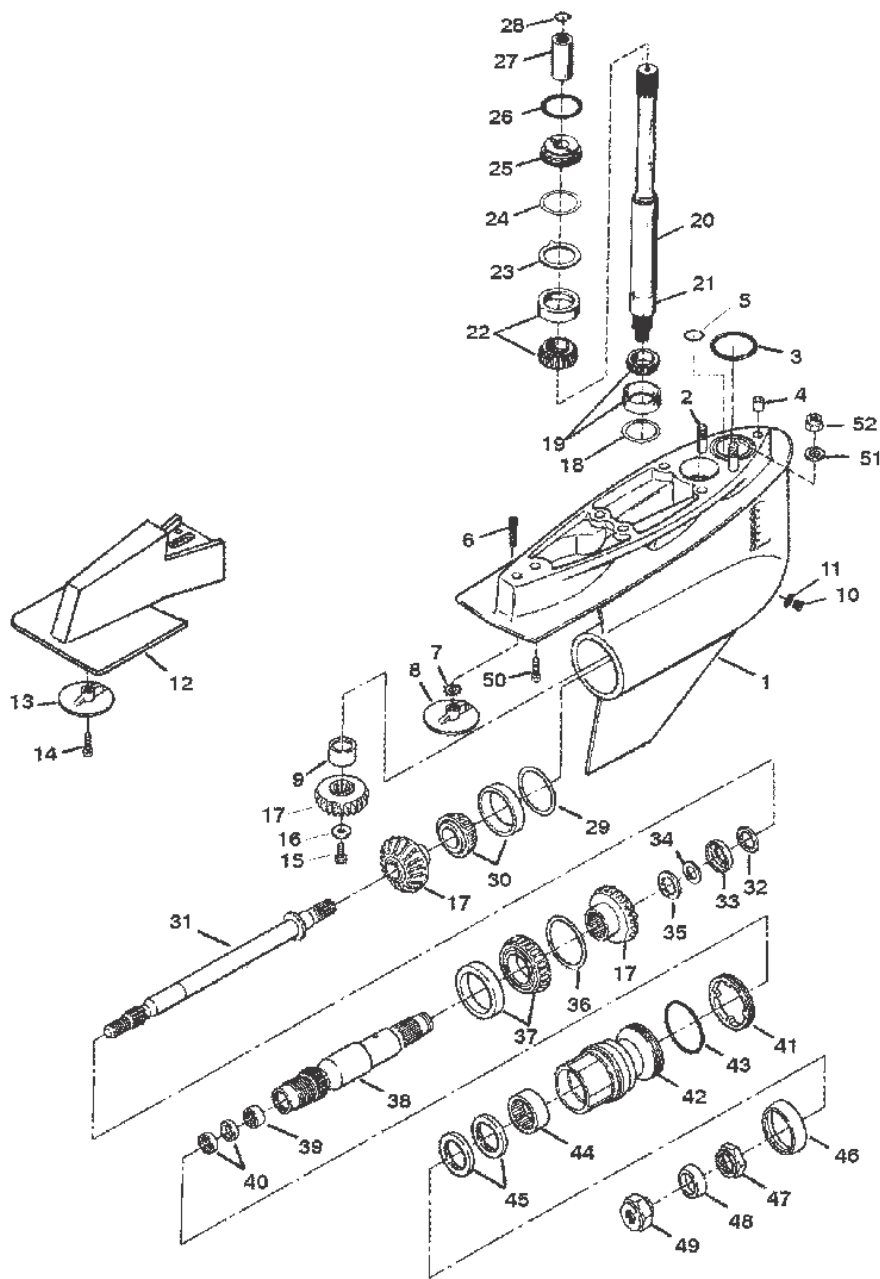
Ref #	Part Class	Part Number	Description	Comments	Qty	Note
33	0023	805072	BUSHING		1	
34	0015	805627A1	SHIM ASSEMBLY		AR	[8]
35	0053	805096	RING Retaining		1	
36	0015	805078A1	SHIM ASSEMBLY		AR	[8]
37	0031	805182A1	BEARING ASSEMBLY Tapered Roller		1	
38	0044	805074A2	PROPELLER SHAFT (OUTER)		1	
39	0031	57410	BEARING Roller		1	
40	0026	805077	SEAL Oil		2	[3]
41	0000	805330	RETAINER		1	
42	0000	805329A1	CARRIER ASSEMBLY Bearing		1	
43	0025	805331	O-RING		1	[3]
44	0031	805079	BEARING Roller		1	
45	0026	805080	SEAL Oil		2	[3]
46	0000	805100T	THRUST HUB (FRONT)		1	
47	0011	805092	PROP NUT (FRONT)		1	
48	0000	805101T	THRUST HUB (REAR)		1	
49	0011	805093	PROP NUT (REAR)		1	
50	0010	90084	SCREW (.437-14 x 1.500)		1	
51	0012	91964	WASHER		2	
52	0011	35053	NUT (.437-20)		2	
-	0026	76868A2	SEAL KIT		1	
-	0097	809666A02	PROP NUT/ANODE KIT Aluminum		1	
-	0097	809666A03	PROP NUT/ANODE KIT Magnesium		1	

PART NOTES:

- [1] - Alternate part numbers:
8866A20QS
8866R04Reman
- [2] - COMPONENT OF DRIVESHAFT HOUSING SEAL KIT 16709A 2
- [3] - COMPONENT OF GEAR HOUSING SEAL KIT 76868A 2
- [4] - GEAR SET INCLUDES LH GEAR, RH GEAR, AND PINION GEAR
- [5] - Alternate part numbers:
803087T 1Kit
824517A 1Service Part
GEAR SET INCLUDES LH GEAR, RH GEAR, AND PINION GEAR
- [6] - Alternate part numbers:
803088T02Kit
822535A 1Service Part
GEAR SET INCLUDES LH GEAR, RH GEAR, AND PINION GEAR
- [7] - Alternate part numbers:
803089T 1Kit
828336A 1Service Part
GEAR SET INCLUDES LH GEAR, RH GEAR, AND PINION GEAR

GEAR HOUSING (BRAVO III)(TWO PIECE HOUSING)

GEAR HOUSING (BRAVO III)(TWO PIECE HOUSING)



18725

GEAR HOUSING (BRAVO III)(TWO PIECE HOUSING)

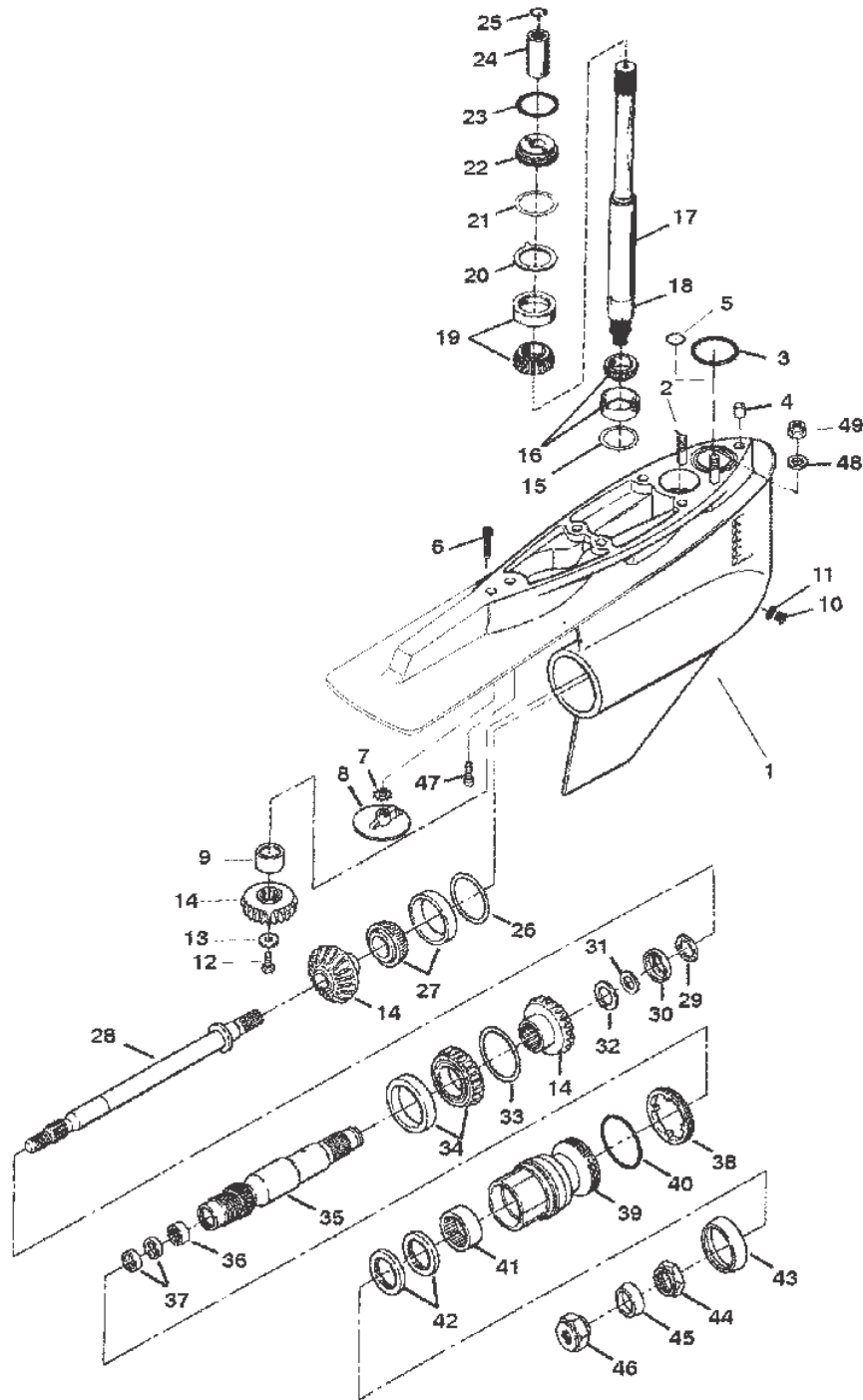
Cat.# 90-80980896

GEAR HOUSING (BRAVO III)(TWO PIECE HOUSING)

[8] - AS REQUIRED

GEAR HOUSING (BRAVO III)(TWO PIECE HOUSING)

GEAR HOUSING (BRAVO III)(ONE PIECE HOUSING)



18726

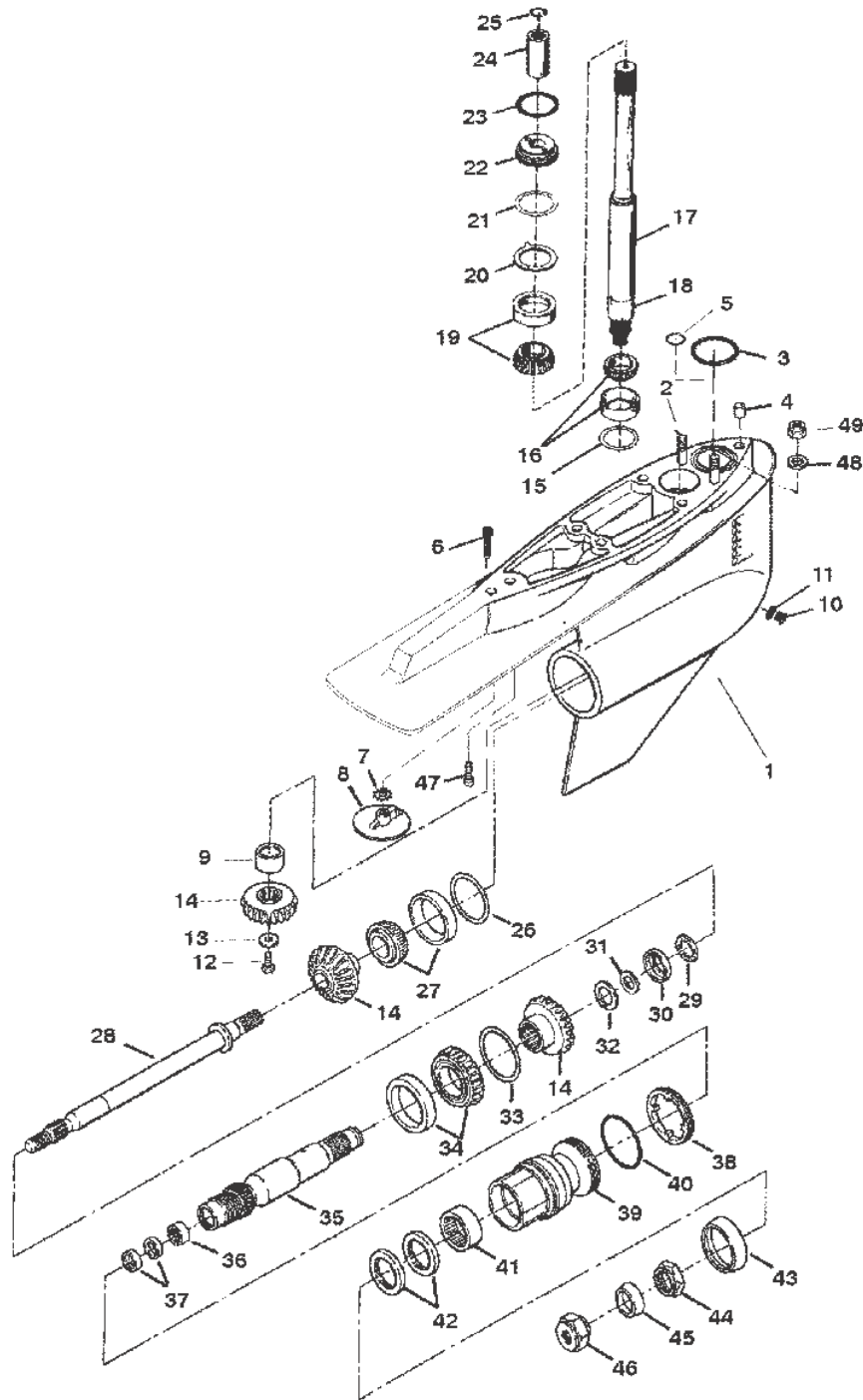
GEAR HOUSING (BRAVO III)(ONE PIECE HOUSING)

GEAR HOUSING (BRAVO III)(ONE PIECE HOUSING)

Ref #	Part Class	Part Number	Description	Comments	Qty	Note
-	1656	8866A37	GEAR HOUSING ASSEMBLY (1.36:1 - 1.50:1 Ratio)		1	
-	1656	8866A36	GEAR HOUSING ASSEMBLY (1.65:1 Ratio)		1	
-	1656	8866A35	GEAR HOUSING ASSEMBLY (1.81:1 - 2.00:1 - 2.20:1 Ratio)		1	[1]
-	1656	8866A51	GEAR HOUSING ASSEMBLY (2.43:1 Ratio)		1	
1	1656	8866A38	GEAR HOUSING ASSEMBLY		1	
2	0016	579203	STUD (.437-14/.437-20 x 2.060)		2	
3	0025	33465	O-RING		1	[2]
4	0026	805344	SEAL (.625 Outside Diameter)		1	[2]
5	0026	455771	SEAL		1	[2]
6	0010	806327	SCREW (.437-14 x 1.750)		1	
7	0013	806210	LOCKWASHER (.437)		1	
8	0000	76214A5	ANODE KIT		1	
9	0031	86754	BEARING Roller		1	
10	0022	67892A1	FITTING KIT Magnetic, Plug Fill/Drain		1	
11	0012	19183	WASHER Fiber		1	[2]
12	0010	34353	SCREW (.375-16 x 1.00)		1	
13	0012	805068	WASHER		1	
14	0043	805448A1	GEAR SET (15/19) (1.36:1 - 1.50:1 Ratio)		1	[3]
14	0043	824517A1	GEAR SET (18/25) (1.65:1 Ratio)		1	[4]
14	0043	822535A1	GEAR SET (16/27) (1.81:1 - 2.00:1 - 2.20:1 Ratio)		1	[5]
14	0043	828336A1	GEAR SET (13/24) (2.43:1 Ratio)		1	[6]
15	0015	92914A1	SHIM KIT		AR	[7]
16	0031	66668A1	BEARING ASSEMBLY Tapered Roller		1	
17	0045	805370A1	DRIVESHAFT		1	
18	0031	815901	RACE Bearing		1	
19	0031	86748A1	BEARING ASSEMBLY Tapered Roller		1	
20	0014	86739	TAB WASHER		1	
21	0015	86749A1	SHIM KIT		AR	[7]
22	0023	92916	SPACER		1	
23	0025	20826	O-RING (2.230 x .139)		1	[2]
24	0000	88243A3	COUPLING ASSEMBLY		1	
25	0053	88242	RING Retaining		1	
26	0015	87157A1	SHIM KIT		AR	[7]
27	0031	86752A1	BEARING ASSEMBLY Tapered Roller		1	
28	0044	805073T	PROPELLER SHAFT (INNER)		1	
29	0031	805322	BEARING Caged Roller		1	
30	0023	805072	BUSHING		1	
31	0015	805627A1	SHIM ASSEMBLY		AR	[7]
32	0053	805096	RING Retaining		1	

GEAR HOUSING (BRAVO III)(ONE PIECE HOUSING)

GEAR HOUSING (BRAVO III)(ONE PIECE HOUSING)



18726

GEAR HOUSING (BRAVO III)(ONE PIECE HOUSING)

GEAR HOUSING (BRAVO III)(ONE PIECE HOUSING)

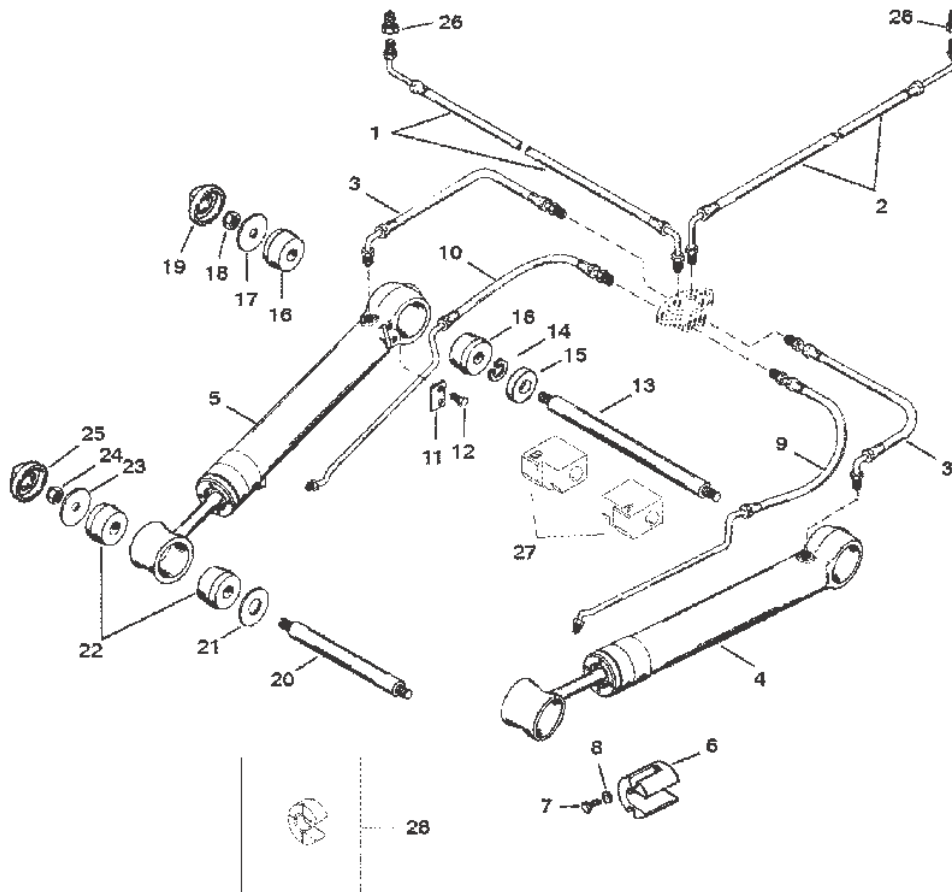
Ref #	Part Class	Part Number	Description	Comments	Qty	Note
33	0015	805078A1	SHIM ASSEMBLY		AR	[7]
34	0031	805182A1	BEARING ASSEMBLY Tapered Roller		1	
35	0044	805074A2	PROPELLER SHAFT (OUTER)		1	
36	0031	57410	BEARING Roller		1	
37	0026	805077	SEAL Oil		2	[2]
38	0000	805330	RETAINER		1	
39	0000	805329A1	CARRIER ASSEMBLY Bearing		1	
40	0025	805331	O-RING		1	[2]
41	0031	805079	BEARING Roller		1	
42	0026	805080	SEAL Oil		2	[2]
43	0000	805100T	THRUST HUB (FRONT)		1	
44	0011	805092	PROP NUT (FRONT)		1	
45	0000	805101T	THRUST HUB (REAR)		1	
46	0011	805093	PROP NUT (REAR)		1	
47	0010	90084	SCREW (.437-14 x 1.500)		1	
48	0012	91964	WASHER		2	
49	0011	35053	NUT (.437-20)		2	
-	0026	76868A2	SEAL KIT		1	
-	0097	809666A02	PROP NUT/ANODE KIT Aluminum		1	
-	0097	809666A03	PROP NUT/ANODE KIT Magnesium		1	

PART NOTES:

- [1] - Alternate part numbers:
8866A35QS
8866R04Reman
- [2] - COMPONENT OF GEAR HOUSING SEAL KIT 76868A 2
- [3] - GEAR SET INCLUDES LH GEAR, RH GEAR, AND PINION GEAR
- [4] - Alternate part numbers:
803087T 1Kit
824517A 1Service Part
GEAR SET INCLUDES LH GEAR, RH GEAR, AND PINION GEAR
- [5] - Alternate part numbers:
803088T02Kit
822535A 1Service Part
GEAR SET INCLUDES LH GEAR, RH GEAR, AND PINION GEAR
- [6] - Alternate part numbers:
803089T 1Kit
828336A 1Service Part
GEAR SET INCLUDES LH GEAR, RH GEAR, AND PINION GEAR
- [7] - AS REQUIRED

GEAR HOUSING (BRAVO III)(ONE PIECE HOUSING)

TRIM CYLINDERS AND HYDRAULIC HOSES



18728

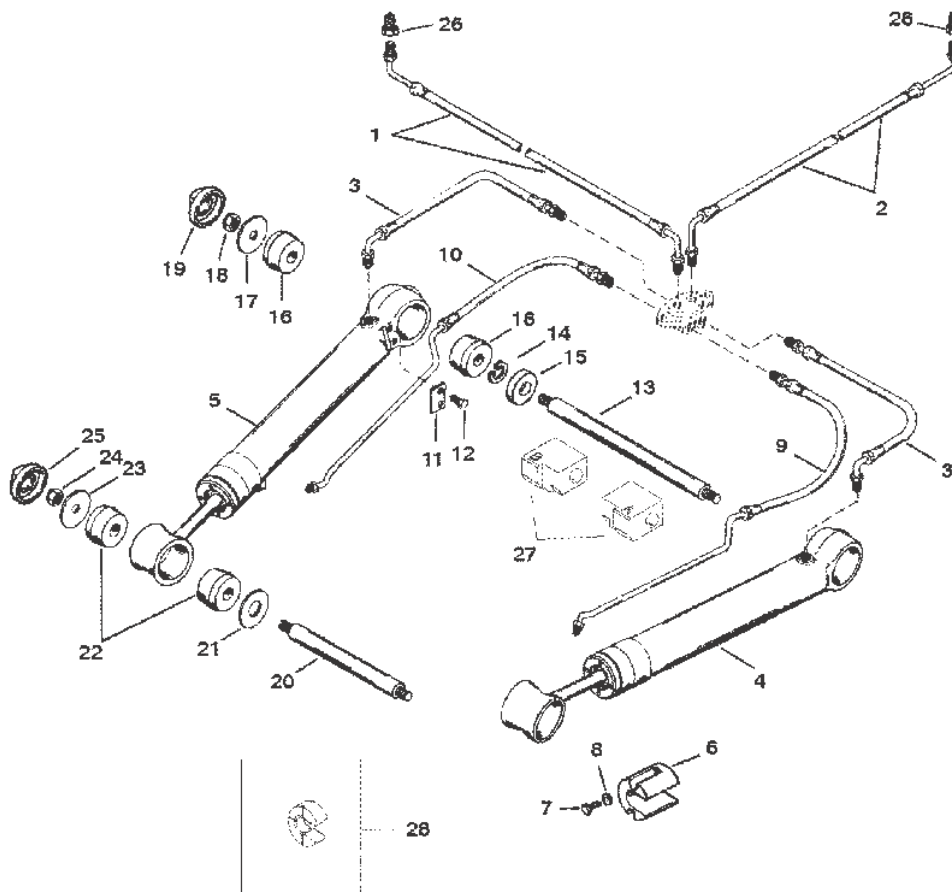
TRIM CYLINDERS AND HYDRAULIC HOSES

Ref #	Part Class	Part Number	Description	Comments	Qty	Note
1	0032	861127	HOSE Black Connector to Pump		1	
2	0032	861128	HOSE Gray Connector to Pump		1	
3	0032	99904	HOSE Trim Cylinder to Connector		2	[1]
4	0000	98704A17	TRIM CYLINDER Starboard	(SEE POWER TRIM CYLINDER REPAIR KITS FOR BREAKDOWN)	1	
5	0000	98703A17	TRIM CYLINDER Port	(SEE POWER TRIM CYLINDER REPAIR KITS FOR BREAKDOWN)	1	
-	0000	87399A2	OVERHAUL KIT		2	
-	0025	87400A2	SEAL KIT		2	
6	0000	806190A1	ANODE ASSEMBLY		2	[2]
7	0010	806290	SCREW (#10-32 x .625)		4	
8	0013	69432	LOCKWASHER External (#10)		4	
9	0032	99902	HOSE Trim Cylinder Starboard		1	
10	0032	99903	HOSE Trim Cylinder Port		1	
11	0000	85060	PLATE		2	
12	0010	85486	SCREW (.250-20 x .380) Stainless Steel		4	
13	0017	44167A1	PIN Front		1	
14	0053	805272	RING Retaining		2	
15	0012	44164	WASHER		2	
16	0023	807073	BUSHING		4	
17	0012	44163	WASHER (.450 x 1.75 x .12)		2	
18	0011	134391	NUT (.4375-20)		2	
19	0019	14842	CAP		2	
20	0017	44166	PIN Rear		1	[3]
21	0012	44164	WASHER		2	
22	0023	807073	BUSHING		4	
23	0012	44163	WASHER (.450 x 1.75 x .12)		2	
24	0011	34933	NUT (.437-20) Stainless Steel		2	
25	0019	14842	CAP		2	
26	0022	808727	CONNECTOR (.50-20 UNF To .4375-24 Inverted Flare)		2	
27	0000	806692A2	TRIM Down	(LIMIT BLOCKS-TRIM CYLINDER)	1	
28	0000	15768A3	SPACER KIT Up	(SPACER KIT-TRIM CYLINDER)	1	

PART NOTES:

- [1] - Alternate part numbers:
 99904Service Part
 99904KMPP
 99904QQS

TRIM CYLINDERS AND HYDRAULIC HOSES



18728

TRIM CYLINDERS AND HYDRAULIC HOSES

[2] - Alternate part numbers:

806190A 1Service Part

806190A 2Magnesium

806190Q 1QS

806190T 1MPP

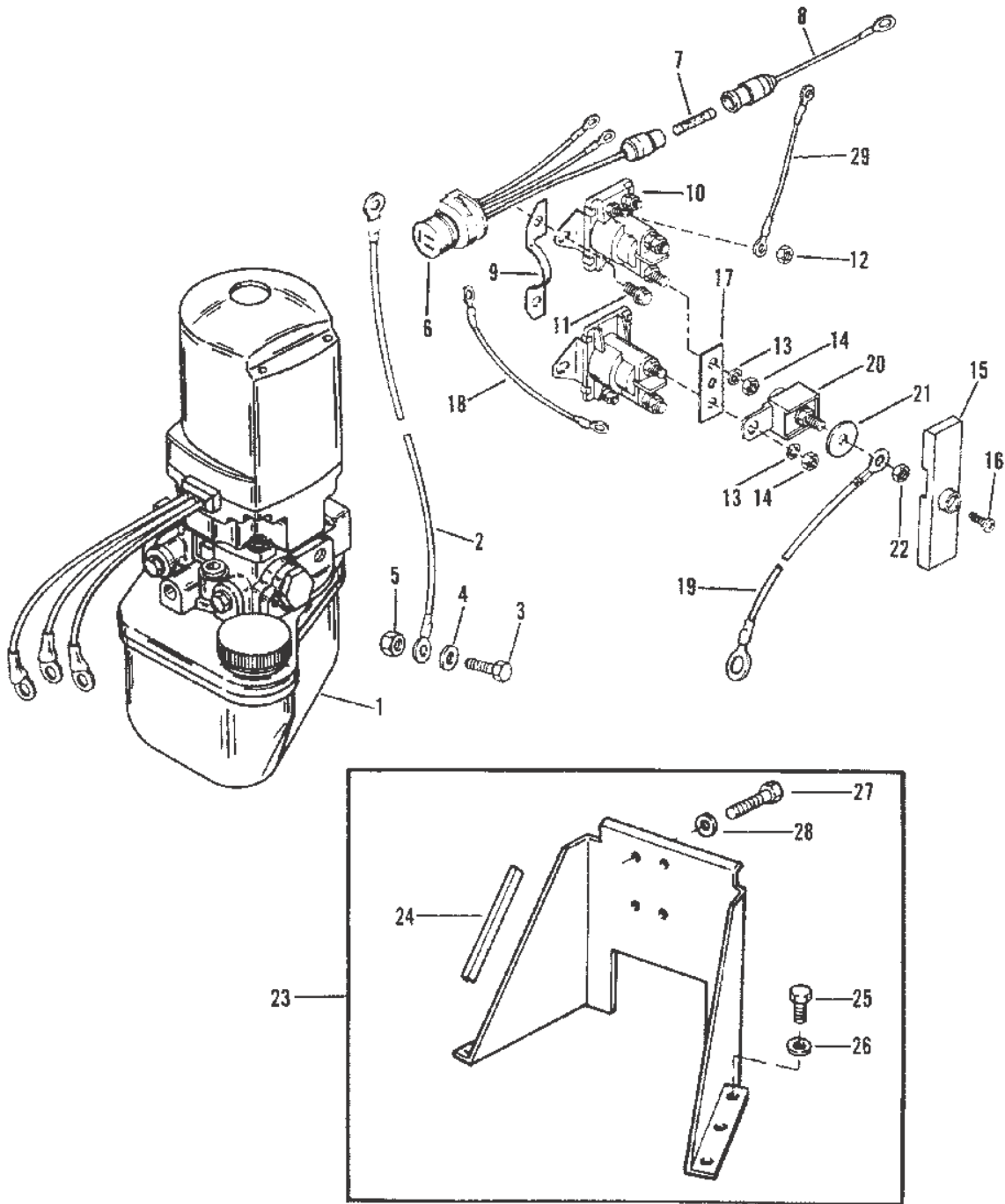
8M0059342Bulk Pack

[3] - Alternate part numbers:

44166Service Part

44166T 1Kit

HYDRAULIC PUMP AND BRACKET



13844

RESOURCE NOTES:

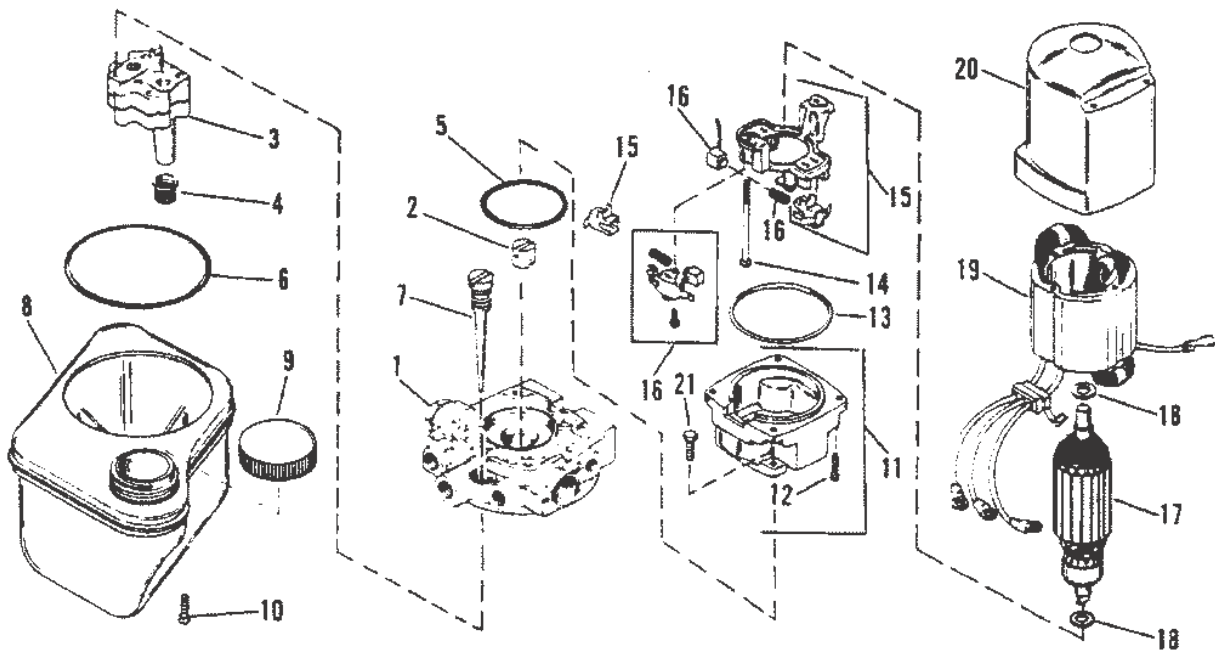
NOTE: SEE "HYDRAULIC PUMP" FOR BREAKDOWN

HYDRAULIC PUMP AND BRACKET

HYDRAULIC PUMP AND BRACKET

Ref #	Part Class	Part Number	Description	Comments	Qty	Note
1	0000	14336A8	PUMP/MOTOR ASSEMBLY	(SEE "HYDRAULIC PUMP" FOR BREAKDOWN)	1	
2	0084	79138A9	CABLE ASSEMBLY (6.00 Feet) Black-Negative (NEGATIVE)		1	
3	0010	90285	SCREW (.312-18 x .625)		1	
4	0012	56720	WASHER (.330 x .750 x .060) Stainless Steel		1	
5	0011	68292	NUT (.312-18)		1	
6	0084	79147A3	HARNESS ASSEMBLY		1	
7	0088	79091	FUSE 20 Ampere		1	
8	0084	95084A2	CABLE ASSEMBLY		1	
9	0000	88075	RETAINER		1	
10	0089	96158	SOLENOID Starter		2	
11	0010	41508	SCREW (.250-20 x .500) Stainless Steel		4	
12	0011	26419	NUT (#8-32) Brass		4	
13	0013	26992	LOCKWASHER (.250) Stainless Steel		4	
14	0011	94330	NUT (.250-20) Brass		4	
15	0085	96535	BOOT		1	
16	0010	48409	SCREW (#10-16 x .625) Stainless Steel		1	
17	0000	94275	LINK		1	
18	0084	86322A15	CABLE ASSEMBLY (5.50 Inches) Black Black		2	
19	0084	79139A12	CABLE ASSEMBLY Red-Positive (POSITIVE)		1	
20	0088	79023A10	FUSE ASSEMBLY 110 Ampere		1	
21	0012	96457	WASHER Phenolic (.27 x .81 x .062)		1	
22	0011	21825	NUT (.250-28)		1	
23	0000	42419A1	BRACKET ASSEMBLY Floor Mounted		1	
24	0000	58491	CHANNEL Rubber (4.00 Inches)		2	
25	0010	59784	SCREW (.250-10 x 1.00)		6	
26	0012	29245	WASHER (.281 x .500 x .060) Stainless Steel		6	
27	0010	35386	SCREW (.312-18 x 1.00)		4	
28	0013	39107	LOCKWASHER (.312-24)		4	
29	0084	86322A24	CABLE ASSEMBLY (4.00 Inches) Black		1	
-	0000	14336A9	PUMP ASSEMBLY Trim	(INCLUDES ALL PARTS ON THIS PAGE)	1	

HYDRAULIC PUMP

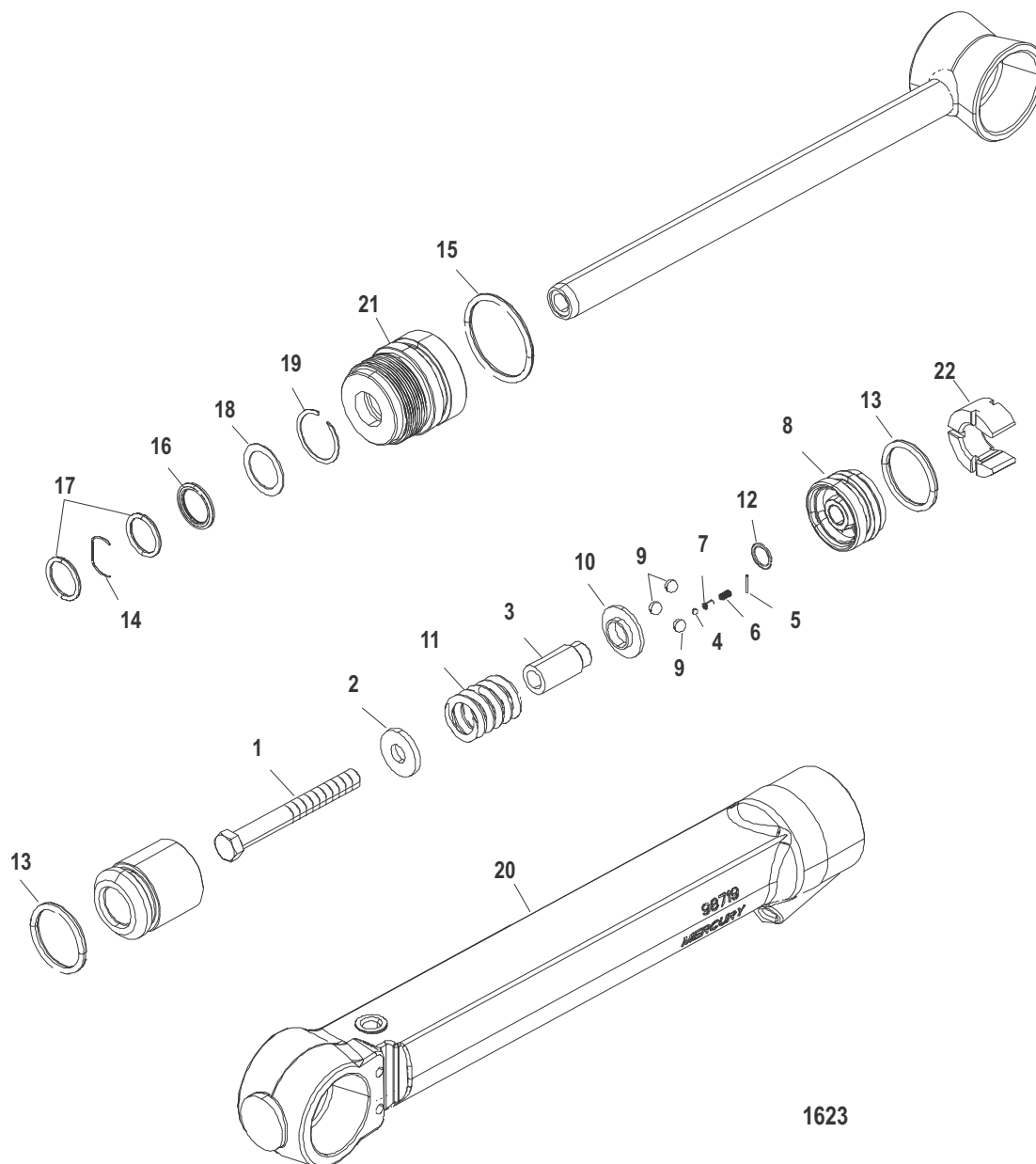


13842

HYDRAULIC PUMP

Ref #	Part Class	Part Number	Description	Comments	Qty	Note
-	0000	14336A8	PUMP/MOTOR ASSEMBLY		1	
1	0000	808728	ADAPTER		1	
2	0000	89493	COUPLING		1	
3	0000	18529	PUMP ASSEMBLY Includes Screws		1	
4	0035	89496	FILTER		1	
5	0025	89498	O-RING		1	
6	0025	17645	O-RING		1	
7	0000	41218	DIPSTICK		1	
8	0000	18525A1	RESERVOIR		1	
9	0036	18526	CAP Oil Reservoir		1	
10	0010	18527	SCREW Includes O-Ring		1	
-	0000	17649	MOTOR		1	
11	0000	17632	END CAP ASSEMBLY		1	
12	0010	17626	SCREW		4	
13	0025	17625	O-RING		1	
14	0010	17621	SCREW		2	
15	0000	17633	HOLDER KIT		1	
16	0000	17631A1	BRUSH KIT		1	
17	0000	17623	ARMATURE		1	
18	0012	17653	WASHER		2	
19	0000	17624	FIELD AND FRAME ASSEMBLY		1	
20	0000	17622	COVER ASSEMBLY		1	
21	0010	823444	SCREW		2	
-	0000	812498A1	VALVE KIT Relief (Up Pressure)		1	
-	0000	95353A1	VALVE KIT Thermal Relief (Thermal Relief)		1	
-	0000	812499A1	VALVE KIT Relief (Down Pressure)		1	
-	0000	18545A1	REPAIR KIT Overhaul		1	

Trim Cylinder Components



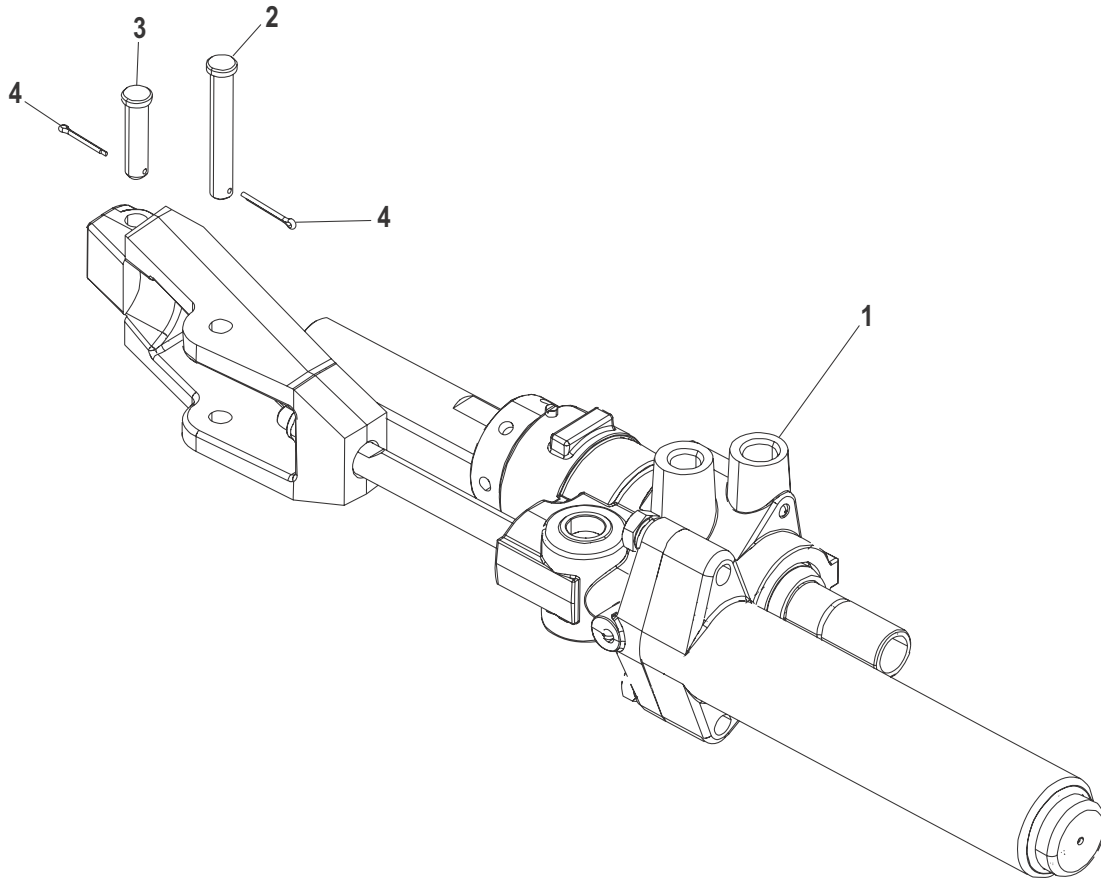
RESOURCE NOTES:

DO NOT SUBSTITUTE O RINGS AS THESE ARE OF SPECIAL MANUFACTURED MATERIAL

Trim Cylinder Components

Ref #	Part Class	Part Number	Description	Comments	Qty	Note
	0000	87399A2	OVERHAUL KIT		1	
1		NSS	NOT SOLD SEPARATE SCREW (M10 x 85)		1	
2		NSS	NOT SOLD SEPARATE WASHER		1	
3		NSS	NOT SOLD SEPARATE GUIDE		1	
4		NSS	NOT SOLD SEPARATE BALL- Steel (.109 Diameter)		1	
5		NSS	NOT SOLD SEPARATE PIN		1	
6		NSS	NOT SOLD SEPARATE SPRING		1	
7		NSS	NOT SOLD SEPARATE EYELET		1	
8		NSS	NOT SOLD SEPARATE PISTON		1	
9		NSS	NOT SOLD SEPARATE BALL (.250 Diameter)		3	
10		NSS	NOT SOLD SEPARATE PUSHER		1	
11		NSS	NOT SOLD SEPARATE SPRING		1	
-	0025	87400A2	SEAL KIT		1	
12		NSS	NOT SOLD SEPARATE O-RING		1	
13		NSS	NOT SOLD SEPARATE O-RING		2	
14		NSS	NOT SOLD SEPARATE SPRING		1	
15		NSS	NOT SOLD SEPARATE O-RING		1	
16		NSS	NOT SOLD SEPARATE SCRAPER ROD		1	
17		NSS	NOT SOLD SEPARATE O-RING		2	
18		NSS	NOT SOLD SEPARATE WASHER		1	
19		NSS	NOT SOLD SEPARATE RETAINING RING		1	
20	0000	98703T	TUBE (PORT CYLINDER)	(CASTING # 98703 OR 98718)	1	
20	0000	98704T	TUBE (STARBOARD CYLINDER)	(CASTING # 98704 OR 98719)	1	
21	0000	806191T	CAP		2	
22	0000	15768A3	SPACER KIT		1	

POWER STEERING



1625

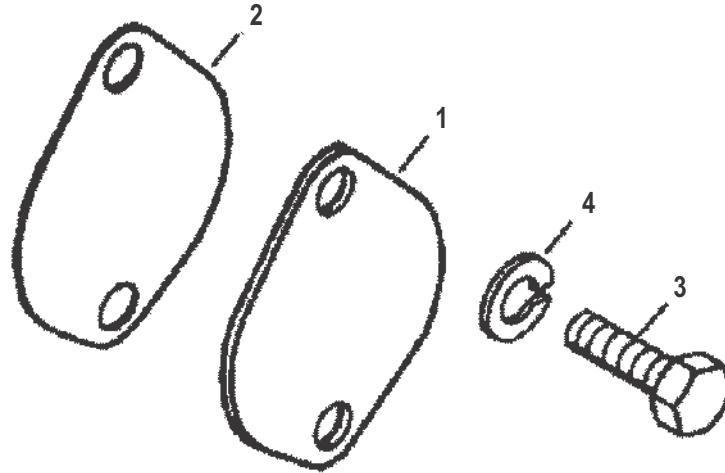
Cat.# 90-80980896

POWER STEERING

Ref #	Part Class	Part Number	Description	Comments	Qty	Note
1	0000	806034A1	ACTUATOR ASSEMBLY Power Steering	(COMPONENT PARTS NOT SOLD SEPARATELY)	1	
2	0017	15878	PIN Clevis Long		1	
3	0017	16419	PIN Clevis Short		1	
4	0018	46950	COTTER PIN		2	

POWER STEERING

GIMBAL HOUSING COVER



5068

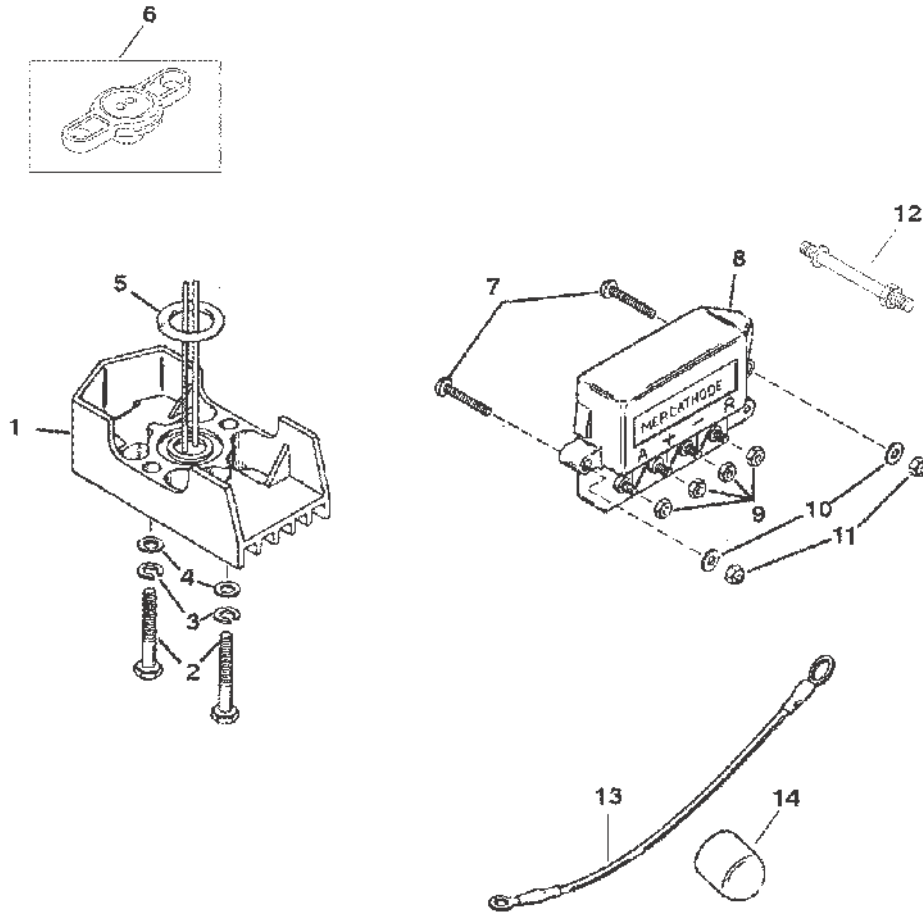
Cat.# 90-80980896

GIMBAL HOUSING COVER

Ref #	Part Class	Part Number	Description	Comments	Qty	Note
1	0000	818304A1	BLOCK OFF KIT		1	
2	0027	818305	GASKET		1	
3	0010	28636	SCREW (.250-20 x .750)		2	
4	0013	26992	LOCKWASHER (.250) Stainless Steel		2	

GIMBAL HOUSING COVER

MERCATHODE KIT

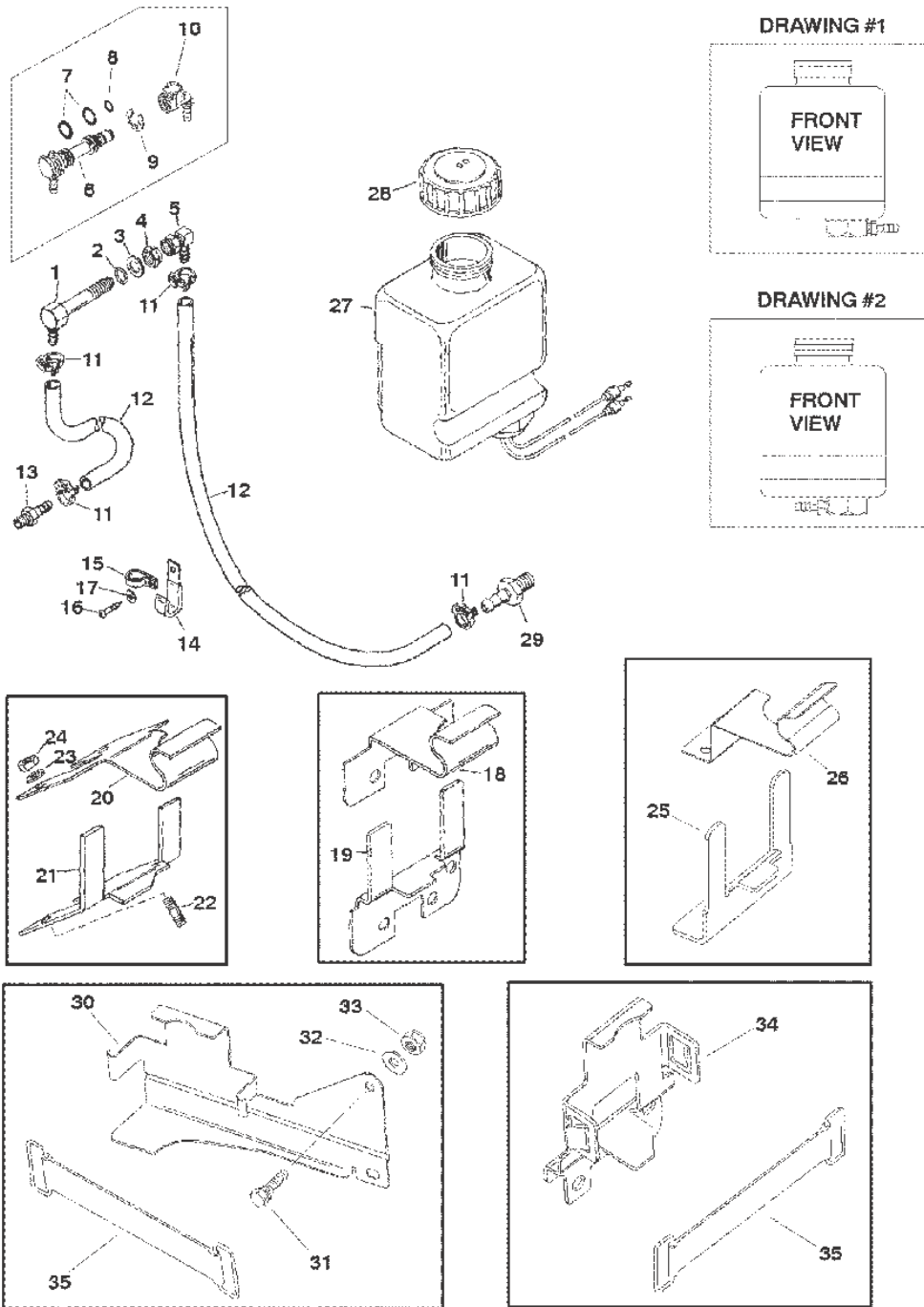


18729

MERCATHODE KIT

Ref #	Part Class	Part Number	Description	Comments	Qty	Note
1	0000	98869A11	ELECTRODE ASSEMBLY		1	
2	0010	69067	SCREW (.250-20 x 1.375)		2	
3	0013	26992	LOCKWASHER (.250) Stainless Steel		2	
4	0012	29245	WASHER (.281 x .500 x .060) Stainless Steel		2	
5	0025	88388	O-RING	(DESIGN I)	1	
6	0025	805294	GROMMET	(DESIGN II)	1	
7	0010	72202	SCREW (#10-32 x 1.25)		1	
7	0010	45862	SCREW (#10-32 x .875)		1	
8	0000	42600A3	CONTROLLER ASSEMBLY		1	
9	0011	68219	NUT (#10-32) Stainless Steel		4	
10	0012	21273	WASHER		2	
11	0011	46438	NUT (#10-32)		2	
12	0016	805459	STUD Mercathode Mounting		1	
13	0084	88543A3	CABLE ASSEMBLY		1	
14	0000	44574	CAP		2	

OIL RESERVOIR COMPONENTS



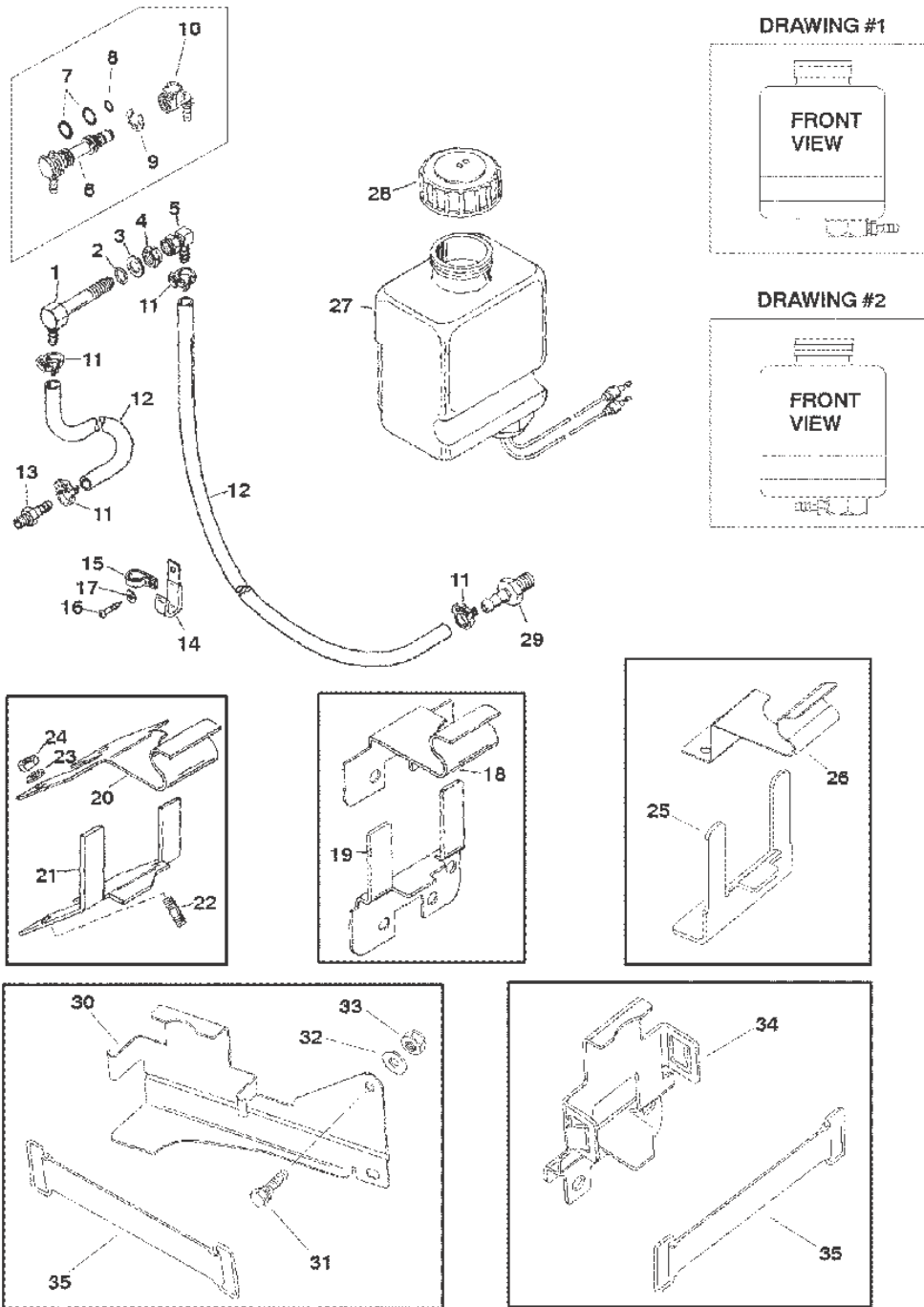
18730

OIL RESERVOIR COMPONENTS

Ref #	Part Class	Part Number	Description	Comments	Qty	Note
1	0022	18922	CONNECTOR		1	
2	0025	20195	O-RING		1	
3	0012	91964	WASHER		1	
4	0011	35053	NUT (.437-20)		1	
5	0022	18923	FITTING		1	
6	0022	861150A1	PLUG ASSEMBLY Bulk Head		1	
7	0025	201951	O-RING (.487 x .103)		2	
8	0025	627021	O-RING (.301 x .070)		1	
9	0053	87843	E RING		1	
10	0022	861163	QUICK CONNECTOR (90 Degree)		1	
11	0054	415825	CLAMP Nylon		4	
12	0032	1940971	HOSE (54.00 Inches Bulk)		2	
13	0022	16739	CONNECTOR		1	
14	0054	642351	J CLIP		1	
15	0054	23567	CLIP		1	
16	0010	60605	SCREW (#10-16 x .750)		1	
17	0000	69205	C WASHER		1	
18	0000	806293T	BRACKET Clip (3.0L/3.6L,4.2L DIESEL/7.4L/7.4LX/454/502)	(See Illustration for Proper Identification)	1	
19	0000	807024T	BRACKET (3.0L/3.6L,4.2L DIESEL/7.4L/7.4LX/454/502)	(See Illustration for Proper Identification)	1	
20	0000	806292T	BRACKET	(See Illustration for Proper Identification)	1	
21	0000	807025T	BRACKET	(See Illustration for Proper Identification)	1	
22	0016	805357	STUD (.375-16 x 2.130)	4.3LX/5.7L/5.7LX (Carb)	2	
23	0012	20553	WASHER (.406 x .734 x .063)		2	
24	0011	32219	NUT (.375-16)		2	
25	0000	806649T	BRACKET 262 MAG. EFI	(See Illustration for Proper Identification)	1	
26	0000	806650T	BRACKET 5.7L/5.7LX/350 MAGNUM (EFI) 262 MAG. EFI	(See Illustration for Proper Identification)	1	
27	0000	806193A3	RESERVOIR ASSEMBLY Oil Fitting Pointing Toward Right Side	(SEE DRAWING #1)	1	
27	0000	806193A13	RESERVOIR Fitting Pointing Toward Left Side	(SEE DRAWING #2)	1	
28	0036	808625	CAP Drive Lube Monitor Oil Bottle		1	
29	0022	808624	CONNECTOR		1	
30	0000	807839T	BRACKET (4.3LX/4.3LXH/262 MAG. EFI 7.4L/454/7.4LX EFI)	(See Illustration for Proper Identification)	1	
31	0010	657461	SCREW AND LOCKWASHER (.250-20 x .625) (4.3LX/4.3LXH/262 MAG. EFI 7.4L/454/7.4LX EFI)		1	
32	0012	69057	WASHER (.281 x .734 x .063) (4.3LX/4.3LXH/262 MAG. EFI 7.4L/454/7.4LX EFI)		1	
33	0011	72008	NUT (.250-20) (4.3LX/4.3LXH/262 MAG. EFI 7.4L/454/7.4LX EFI)		1	

OIL RESERVOIR COMPONENTS

OIL RESERVOIR COMPONENTS



18730

OIL RESERVOIR COMPONENTS

Ref #	Part Class	Part Number	Description	Comments	Qty	Note
34	0000	860065A1	BRACKET KIT Oil Bottle (5.7L/5.7LX/350 MAGNUM CARB & EFI/ 3.0L/3.6L4.2L DIESEL/7.4L/7.4LX/454/502)	(See Illustration for Proper Identification)	1	
35	0000	808023T	STRAP Bracket	(See Illustration for Proper Identification)	1	

SPECIAL TOOLS-DRIVESHAFT HOUSING

SPECIAL TOOLS-DRIVESHAFT HOUSING

Ref #	Part Class	Part Number	Description	Comments	Qty	Note
-	0091	38756	ADAPTER TOOL		1	
-	0091	17275A1	DRIVER ASSEMBLY Bearing And Seal		1	
-	0091	813653	DRIVER TOOL Bearing		1	
-	0091	17273	REMOVAL TOOL Bearing		1	
-	0091	17301A1	CLUTCH ASSEMBLY STAND		1	
-	0091	90244A1	DRIVER AND PULLER ASSEMBLY		1	
-	0091	817570	DRIVER TOOL Oil Seal		1	
-	0091	34569A1	PULLER ASSEMBLY Slide Hammer		1	
-	0091	66274	TORQUE WRENCH (0-150 lb-in)		1	
-	0091	17256	WRENCH Bearing Retainer		1	
-	0091	37241	PULLER PLATE Universal		1	

SPECIAL TOOLS-TRANSOM

SPECIAL TOOLS-TRANSOM

Ref #	Part Class	Part Number	Description	Comments	Qty	Note
-	0091	805475A1	ALIGNMENT TOOL ASSEMBLY		1	
-	0091	31229A7	PULLER KIT Bearing		1	
-	0091	45497A1	EXPANDER TOOL Bellows		1	
-	0091	17263	LOCATING TOOL Core Wire		1	
-	0091	32325	DRIVER HEAD TOOL		1	
-	0091	37323	DRIVER ROD TOOL Needle Bearings		1	
-	0091	45497A1	EXPANDER TOOL Bellows		1	
-	0091	78310	PIN TOOL Hinge		1	
-	0091	63616	PULLER (Hi-Performance, Transom Assembly)		1	
-	0011	24156	NUT (.625-18)		1	
-	0091	29310	PLATE		2	
-	0091	63616	PULLER		1	
-	0091	31229	SHAFT		1	
-	0091	17262	ADJUSTMENT TOOL Shift Cable Anchor		1	
-	0091	818162	INSTALLATION TOOL Sleeve		1	
-	0091	818169	SLEEVE REMOVAL TOOL		1	
-	0091	34569A1	PULLER ASSEMBLY Slide Hammer		1	
-	0091	43579	INSERT TOOL Water Hose, Tapered		1	
-	0012	34961	WASHER		1	

SPECIAL TOOLS-GEAR HOUSING (BRAVO I)

SPECIAL TOOLS-GEAR HOUSING (BRAVO I)

Ref #	Part Class	Part Number	Description	Comments	Qty	Note
-	0091	53459	ROD TOOL Backlash Indicator Flag		1	
-	0091	61069	WRENCH Bearing Carrier Retainer		1	
-	0091	90338A1	PULLER TOOL Bearing Carrier		1	
-	0091	89867	DRIVER TOOL Bearing		1	
-	0091	813653	DRIVER TOOL Bearing		1	
-	0091	63638	DRIVER TOOL Bearing		1	
-	0091	43559	CLAMP PLATE TOOL		1	
-	0091	89865	DRIVER TOOL Cup And Seal		1	
-	0091	31106	MANDREL Bearing Driver Cup		1	
-	0091	67443	DRIVER TOOL Bearing Cup		1	
-	0091	58222A1	DIAL INDICATOR TOOL		1	
-	0091	83155	ADAPTER KIT Dial Indicator		1	
-	0091	61077	ADAPTER TOOL Driveshaft		1	
-	0091	37323	DRIVER ROD TOOL Needle Bearings		1	
-	0091	18605A2	INSTALLATION TOOL Bearing Adaptor		1	
-	0091	42840	SHIMMING TOOL		1	
-	0091	34569A1	PULLER ASSEMBLY Slide Hammer		1	
-	0091	31229	SHAFT		1	
-	0091	66274	TORQUE WRENCH (0-150 lb-in)		1	
-	0091	37241	PULLER PLATE Universal		1	
-	0091	31229A7	PULLER KIT Bearing	(INCLUDES THE FOLLOWING ITEMS)	1	
-	0091	15755	MANDREL		1	
-	0091	38628	INSTALLATION TOOL Bearing		1	
-	0091	303661	COLLAR		1	
-	0091	32336	DRIVER HEAD TOOL		1	
-	0091	36569	DRIVE HEAD TOOL		1	
-	0091	37311	DRIVER HEAD TOOL		1	
-	0091	37312	DRIVER HEAD TOOL		1	
-	0091	52393	DRIVER HEAD		1	
-	0091	37323	DRIVER ROD TOOL Needle Bearings		1	
-	0011	24156	NUT (.625-18)		1	
-	0091	36571	PILOT WASHER		1	
-	0091	37324	PILOT WASHER		1	
-	0091	37350	PILOT WASHER		1	
-	0091	29310	PLATE		1	
-	0091	36379	PULLER HEAD TOOL		1	
-	0091	32325	DRIVER HEAD TOOL		1	
-	0091	38628	INSTALLATION TOOL Bearing		1	
-	0091	52394	PULLER HEAD TOOL		1	
-	0091	31229	SHAFT		1	
-	0091	37292	REMOVAL/INSTALLTION TOOL Roller Bearing		1	
-	0012	34961	WASHER		1	

SPECIAL TOOLS-GEAR HOUSING (BRAVO I)

SPECIAL TOOLS-GEAR HOUSING (BRAVO II)

SPECIAL TOOLS-GEAR HOUSING (BRAVO II)

Ref #	Part Class	Part Number	Description	Comments	Qty	Note
-	0091	89867	DRIVER TOOL Bearing		1	
-	0091	813653	DRIVER TOOL Bearing		1	
-	0091	63638	DRIVER TOOL Bearing		1	
-	0091	67443	DRIVER TOOL Bearing Cup		1	
-	0091	55916	OIL SEAL DRIVER TOOL Bearing Carrier		1	
-	0091	55918	DRIVER		1	
-	0091	55919	DRIVER HEAD		1	
-	0091	63619	DRIVER TOOL		1	
-	0091	63626	DRIVER		1	
-	0091	68891	DRIVER		1	
-	0091	61077	ADAPTER TOOL Driveshaft		1	
-	0091	37323	DRIVER ROD TOOL Needle Bearings		1	
-	0091	31229	SHAFT		1	
-	0091	37241	PULLER PLATE Universal		1	

SPECIAL TOOLS-GEAR HOUSING (BRAVO III)

SPECIAL TOOLS-GEAR HOUSING (BRAVO III)

Ref #	Part Class	Part Number	Description	Comments	Qty	Note
-	0091	805481	ROD TOOL Backlash Indicator Inner Propshaft		1	
-	0091	805482	ROD TOOL Backlash Indicator Outer Propshaft		1	
-	0091	805356	INSTALLATION TOOL Bearing		1	
-	0091	8053741	INSTALLATION TOOL Bearing		1	
-	0091	805372	INSTALLATION TOOL Bearing		1	
-	0091	805374	INSTALLATION TOOL Bearing		1	
-	0091	805352	INSTALLATION TOOL Bearing Outer Propshaft		1	
-	0091	805382	INSTALLATION TOOL Bearing Retainer Outer Propshaft		1	
-	0091	89867	DRIVER TOOL Bearing		1	
-	0091	813653	DRIVER TOOL Bearing		1	
-	0091	43559	CLAMP PLATE TOOL		1	
-	0091	67443	DRIVER TOOL Bearing Cup		1	
-	0091	58222A1	DIAL INDICATOR TOOL		1	
-	0091	61077	ADAPTER TOOL Driveshaft		1	
-	0091	63638	DRIVER TOOL Bearing		1	
-	0091	805381	RETAINING TOOL Driveshaft		1	
-	0091	805470	DRIVER GUIDE		1	
-	0091	37323	DRIVER ROD TOOL Needle Bearings		1	
-	0091	805454	HANDLE TOOL Front Bearing Race		1	
-	0091	31106	MANDREL Bearing Driver Cup		1	
-	0091	8054571	INSTALLATION TOOL Propeller Nut		1	
-	0091	805358	INSTALLATION TOOL Seal Outer Propshaft		1	
-	0091	805462	SHIMMING TOOL		1	
-	0091	34569A1	PULLER ASSEMBLY Slide Hammer		1	
-	0091	31229	SHAFT		1	
-	0091	66274	TORQUE WRENCH (0-150 lb-in)		1	
-	0091	37241	PULLER PLATE Universal		1	

PARTS INDEX

Part No.	Description	Pg.	Ref.no	Part No.	Description	Pg.	Ref.no
12078	CLAMP	38	21	12706	SPACER (.194 x .375)	52	13
12708	SEAL	52	4	12709	SEAL Oil	44	9
12709	SEAL Oil	48	9	12711	SHAFT	52	9
12712	LEVER	52	17	12717A1	COVER ASSEMBLY	52	3
12784	YOKE Gear End	52	26	12784A10	UNIVERSAL JOINT ASSEMBLY	52	21
12784A19	UNIVERSAL JOINT ASSEMBLY	52	21	12994	CLIP	42	18
134371	NUT (.375-24)	38	25	13438	NUT (.250-28)	36	32
134391	NUT (.4375-20)	42	8	134391	NUT (.4375-20)	74	18
13722A14	DECAL SET	28	-	13722A15	DECAL SET	28	-
13722A16	DECAL SET	28	-	13722A17	DECAL SET	28	-
13722A18	DECAL SET	28	-	13722A90	DECAL SET	28	-
14063A1	GEAR SET (15/19)	56	21	14336A8	PUMP/MOTOR ASSEMBLY	78	1
14336A8	PUMP/MOTOR ASSEMBLY	80	-	14336A9	PUMP ASSEMBLY Trim	78	-
14497A2	DETENT ASSEMBLY	52	5	14705	INSERT	32	17
14842	CAP	74	19	14842	CAP	74	25
15167A90	DECAL SET	28	-	15755	MANDREL	98	-
15768A3	SPACER KIT Up	74	28	15768A3	SPACER KIT	82	22
15878	PIN Clevis Long	84	2	16419	PIN Clevis Short	84	3
16709A2	SEAL KIT	46	-	16709A2	SEAL KIT	48	-
16709A2	SEAL KIT	54	-	16739	CONNECTOR	90	13
16755A1	SEAL	44	3	16755A1	SEAL	48	3
16755Q1	SEAL	4	-	16755Q1	SEAL	4	-
17256	WRENCH Bearing Retainer	94	-	17262	ADJUSTMENT TOOL Shift Cable Anchor	96	-
17263	LOCATING TOOL Core Wire	96	-	17273	REMOVAL TOOL Bearing	94	-
17275A1	DRIVER ASSEMBLY Bearing And Seal	94	-	17301A1	CLUTCH ASSEMBLY STAND	94	-
174314	SERVICE MANUAL	2	-	17621	SCREW	80	14
17622	COVER ASSEMBLY	80	20	17623	ARMATURE	80	17
17624	FIELD AND FRAME ASSEMBLY	80	19	17625	O-RING	80	13
17626	SCREW	80	12	17631A1	BRUSH KIT	80	16
17632	END CAP ASSEMBLY	80	11	17633	HOLDER KIT	80	15
17645	O-RING	80	6	17649	MOTOR	80	-
17653	WASHER	80	18	17997A1	SPRING KIT	44	18
17997A1	SPRING KIT	48	18	18323	TAB WASHER	58	39
18525A1	RESERVOIR	80	8	18526	CAP Oil Reservoir	80	9
18527	SCREW Includes O-Ring	80	10	18529	PUMP ASSEMBLY Includes Screws	80	3
18545A1	REPAIR KIT Overhaul	80	-	18605A2	INSTALLATION TOOL Bearing Adaptor	98	-
18654A1	BELLOWS ASSEMBLY	42	13	18920A1	VALVE ASSEMBLY	42	24
18922	CONNECTOR	90	1	18923	FITTING	90	5
19183	WASHER Fiber	44	11	19183	WASHER Fiber	48	11
19183	WASHER Fiber	56	35	19183	WASHER Fiber	60	8
19183	WASHER Fiber	64	11	19183	WASHER Fiber	70	11
1940971	HOSE (54.00 Inches Bulk)	90	12	20195	O-RING	90	2
201951	O-RING (.487 x .103)	90	7	20518	SET SCREW (#8-32)	32	16
20553	WASHER (.406 x .734 x .063)	90	23	20583	WASHER	52	18
20739	NUT (.750-16)	56	23	20739	NUT (.750-16)	60	27
20826	O-RING (2.230 x .139)	56	18	20826	O-RING (2.230 x .139)	60	22
20826	O-RING (2.230 x .139)	64	26	20826	O-RING (2.230 x .139)	70	23
21272	LOCKWASHER (.250)	36	23	21273	WASHER	88	10
21825	NUT (.250-28)	78	22	23567	CLIP	90	15
24156	NUT (.625-18)	96	-	24156	NUT (.625-18)	98	-
25599	NUT (.750-16)	38	16	26419	NUT (#8-32) Brass	78	12
26953	COTTER PIN	52	19	26992	LOCKWASHER (.250) Stainless Steel	78	13
26992	LOCKWASHER (.250) Stainless Steel	86	4	26992	LOCKWASHER (.250) Stainless Steel	88	3
26996	LOCKWASHER (#10) Stainless Steel	38	8	28635	SCREW (.250-20 x .620) Stainless Steel	38	22
28636	SCREW (.250-20 x .750)	86	3	29245	WASHER (.281 x .500 x .060) Stainless Steel	78	26
29245	WASHER (.281 x .500 x .060) Stainless Steel	88	4	29310	PLATE	96	-
29310	PLATE	98	-	29845	O-RING (.924 x .103)	52	23
30281	KEY	62	39	303661	COLLAR	98	-
31106	MANDREL Bearing Driver Cup	98	-	31106	MANDREL Bearing Driver Cup	102	-
31211A2	WASHER Splined	58	42	31229	SHAFT	96	-
31229	SHAFT	98	-	31229	SHAFT	98	-

PARTS INDEX

Part No.	Description	Pg.	Ref.no	Part No.	Description	Pg.	Ref.no
31229	SHAFT	100	-	31229	SHAFT	102	-
31229A7	PULLER KIT Bearing	96	-	31229A7	PULLER KIT Bearing	98	-
31534	O-RING	56	32	32219	NUT (.375-16)	90	24
32297	PLUG	46	27	32297	PLUG	48	27
32325	DRIVER HEAD TOOL	96	-	32325	DRIVER HEAD TOOL	98	-
32336	DRIVER HEAD TOOL	98	-	32518	WASHER	36	19
32834	WASHER (.9375 x 1.750 x .172)	32	7	33465	O-RING	56	3
33465	O-RING	60	3	33465	O-RING	64	3
33465	O-RING	70	3	33734	LOCKWASHER (.500)	32	8
34353	SCREW (.375-16 x 1.00)	64	15	34353	SCREW (.375-16 x 1.00)	70	12
34567	WASHER	36	27	34569A1	PULLER ASSEMBLY Slide Hammer	94	-
34569A1	PULLER ASSEMBLY Slide Hammer	96	-	34569A1	PULLER ASSEMBLY Slide Hammer	98	-
34569A1	PULLER ASSEMBLY Slide Hammer	102	-	34817	TAB WASHER	62	45
34821	O-RING	62	35	34933	NUT (.437-20) Stainless Steel	36	28
34933	NUT (.437-20) Stainless Steel	74	24	34961	WASHER	96	-
34961	WASHER	98	-	35027	O-RING (1.046)	52	23
35045	NUT (.250-28)	52	14	35053	NUT (.437-20)	46	29
35053	NUT (.437-20)	48	29	35053	NUT (.437-20)	58	47
35053	NUT (.437-20)	62	50	35053	NUT (.437-20)	66	52
35053	NUT (.437-20)	72	49	35053	NUT (.437-20)	90	4
35386	SCREW (.312-18 x 1.00)	78	27	35479	LOCKWASHER (.375)	54	39
35777	WASHER (.5156 x 1.375 x .125) Aluminum	32	5	35935	WASHER (.435 x .875 x .105) Stainless Steel	42	7
36379	PULLER HEAD TOOL	98	-	36569	DRIVE HEAD TOOL	98	-
36571	PILOT WASHER	98	-	37241	PULLER PLATE Universal	94	-
37241	PULLER PLATE Universal	98	-	37241	PULLER PLATE Universal	100	-
37241	PULLER PLATE Universal	102	-	37292	REMOVAL/INSTALLTION TOOL Roller Bearing	98	-
37311	DRIVER HEAD TOOL	98	-	37312	DRIVER HEAD TOOL	98	-
37323	DRIVER ROD TOOL Needle Bearings	96	-	37323	DRIVER ROD TOOL Needle Bearings	98	-
37323	DRIVER ROD TOOL Needle Bearings	98	-	37323	DRIVER ROD TOOL Needle Bearings	100	-
37323	DRIVER ROD TOOL Needle Bearings	102	-	37324	PILOT WASHER	98	-
37350	PILOT WASHER	98	-	37978	SCREW (#10-32 x .750) Stainless Steel	38	7
38615	SCREW (.250-28 x .750)	52	15	38628	INSTALLATION TOOL Bearing	98	-
38628	INSTALLATION TOOL Bearing	98	-	38756	ADAPTER TOOL	94	-
38863	CLAMP	36	25	39107	LOCKWASHER (.312-24)	78	28
39383T	SOCKET Center	52	24	41218	DIPSTICK	80	7
41508	SCREW (.250-20 x .500) Stainless Steel	78	11	415825	CLAMP Nylon	90	11
416071	SEAL Oil	36	5	41613	WASHER	52	30
41629A2	DRIVESHAFT ASSEMBLY	56	12	41630T	PROPELLER SHAFT	56	26
41641A8	CARRIER ASSEMBLY Bearing	56	31	41646A10	BELL HOUSING ASSEMBLY	42	1
41646A9	BELL HOUSING ASSEMBLY	42	1	41656	GEAR Pinion (1.81:1 - 2.00:1 - 2.20:1 Ratio)	60	25
41657T	GEAR DRIVE (1.81:1 - 2.00:1 - 2.20:1 Ratio)	60	32	41674	INSERT	36	16
41674	INSERT	42	4	41721	WASHER	38	4
41721	WASHER	38	4	41802	SEAL Rubber	36	12
42253	BOLT	32	2	42254	WASHER	32	3
42256	THRUST WASHER (.105 Inch Thick)	56	30	42276	PLATE Ground	46	31
42276	PLATE Ground	48	31	423511	LOCKWASHER Toothed	58	48
42419A1	BRACKET ASSEMBLY Floor Mounted	78	23	42600A3	CONTROLLER ASSEMBLY	88	8
42840	SHIMMING TOOL	98	-	428611	FITTING Pipe - Brass (.750-14)	36	33
43433	GUIDE	32	14	43433A01	GUIDE KIT	32	-
43436	ANCHOR	32	15	43437	HOSE	36	15
43559	CLAMP PLATE TOOL	98	-	43559	CLAMP PLATE TOOL	102	-
43579	INSERT TOOL Water Hose, Tapered	96	-	43713	SEAL	36	14
43828	CONNECTOR	36	20	43881A15	GIMBAL HOUSING ASSEMBLY	36	1
441081	GASKET	36	21	44117A8	PLATE ASSEMBLY Transom	32	1
44163	WASHER (.450 x 1.75 x .12)	74	17	44163	WASHER (.450 x 1.75 x .12)	74	23
44164	WASHER	74	15	44164	WASHER	74	21
44166	PIN Rear	74	20	44167A1	PIN Front	74	13
44539	WASHER	54	35	44574	CAP	88	14
45497A1	EXPANDER TOOL Bellows	96	-	45497A1	EXPANDER TOOL Bellows	96	-
455771	SEAL	56	4	455771	SEAL	60	4
455771	SEAL	64	5	455771	SEAL	70	5

PARTS INDEX

Part No.	Description	Pg.	Ref.no	Part No.	Description	Pg.	Ref.no
45710	O-RING (1.424 x .103)	44	4	45710	O-RING (1.424 x .103)	48	4
45862	SCREW (#10-32 x .875)	88	7	46438	NUT (#10-32)	88	11
46950	COTTER PIN	84	4	47659	LOCKWASHER (.437)	62	48
48171	O-RING (.364 x .070)	42	25	48409	SCREW (#10-16 x .625) Stainless Steel	78	16
49910	NUT (.375-24)	32	13	5120136KZ	END MODEL Stern Drive (1.36:1 Ratio)	6	-
5120150KZ	END MODEL Stern Drive (1.50:1 Ratio)	6	-	5120165KZ	END MODEL Stern Drive (1.65:1 Ratio)	6	-
5220150KZ	END MODEL +STERN DRIVE BRVII (1.50:1 Ratio)	6	-	5220165KZ	END MODEL +STERN DRIVE BRVII (1.65:1 Ratio)	6	-
5220181KZ	END MODEL +STERN DRIVE BRVII (1.81:1 Ratio)	6	-	5220200KZ	END MODEL +STERN DRIVE BRVII (2.00:1 Ratio)	6	-
5220220KZ	END MODEL +STERN DRIVE BRVII (2.20:1 Ratio)	6	-	5232100LS	END MODEL DIESEL BRV 1 DRV 1998 (1.36:1 Ratio)	8	-
5232200LS	END MODEL DIESEL BRV 1 DRV 1998 (1.50:1 Ratio)	8	-	5232300LS	END MODEL DIESEL BRV 1 DRV 1998 (1.65:1 Ratio)	8	-
52393	DRIVER HEAD	98	-	52394	PULLER HEAD TOOL	98	-
5332200LS	(1.50:1 Ratio)	8	-	5332300LS	(1.65:1 Ratio)	8	-
5332400LS	(1.81:1 Ratio)	8	-	5332500LS	STERNDRIVE (2.20:1 Ratio)	8	-
5332600LS	STERNDRIVE (2.00:1 Ratio)	8	-	53459	ROD TOOL Backlash Indicator Flag	98	-
54034	NUT (1.0-14)	62	46	54036A1	BEARING ASSEMBLY Tapered Roller	60	31
54038A1	BEARING ASSEMBLY Tapered Roller	60	29	54042T	BEARING Roller	62	37
54163	RETAINER	62	41	54167	TAB WASHER	62	40
5442100LS	STERNDRIVE (1.36:1 Ratio)	8	-	5442200LS	STERNDRIVE (1.50:1 Ratio)	8	-
5442300LS	STERNDRIVE (1.65:1 Ratio)	8	-	5442400LS	STERNDRIVE (1.81:1 Ratio)	8	-
5442500LS	STERNDRIVE (2.20:1 Ratio)	8	-	5442600LS	STERNDRIVE (2.00:1 Ratio)	8	-
5442700LS	STERNDRIVE (2.43:1 Ratio)	8	-	54929	COTTER PIN	36	18
5495025	TUBING (25.00 Feet Bulk)	42	17	55072	WASHER	62	44
55073A2	WASHER ASSEMBLY	62	43	55074T	THRUST HUB	62	42
55499A1	SHIM ASSEMBLY	60	28	55916	OIL SEAL DRIVER TOOL Bearing Carrier	100	-
55918	DRIVER	100	-	55919	DRIVER HEAD	100	-
56296	STUD (.437-20 x 4.750)	36	2	5641400LP	STERNDRIVE UNIT COMPLETE (1.81:1 Ratio)	10	-
5641500LP	STERNDRIVE UNIT COMPLETE (2.20:1 Ratio)	10	-	5641600LP	STERNDRIVE UNIT COMPLETE (2.00:1 Ratio)	10	-
5641700LP	STERNDRIVE UNIT COMPLETE (2.43:1 Ratio)	10	-	56720	WASHER (.330 x .750 x .060) Stainless Steel	78	4
56766	STUD (.250-20/.250-28 x 1.380)	36	13	56800	PLUG Pipe (.0625-27)	42	21
57008	RETAINER	38	9	57410	BEARING Roller	66	39
57410	BEARING Roller	72	36	579203	STUD (.437-14/.437-20 x 2.060)	44	2
579203	STUD (.437-14/.437-20 x 2.060)	48	2	579203	STUD (.437-14/.437-20 x 2.060)	56	2
579203	STUD (.437-14/.437-20 x 2.060)	60	2	579203	STUD (.437-14/.437-20 x 2.060)	64	2
579203	STUD (.437-14/.437-20 x 2.060)	70	2	58222A1	DIAL INDICATOR TOOL	98	-
58222A1	DIAL INDICATOR TOOL	102	-	58491	CHANNEL Rubber (4.00 Inches)	78	24
59579	STUD (.437-14/.437-20 x 2.812)	42	3	59784	SCREW (.250-10 x 1.00)	78	25
59830A7	YOKE ASSEMBLY (COUPLER END)	52	22	59830A8	YOKE ASSEMBLY (COUPLER END)	52	22
5C31100LP	STERNDRIVE UNIT COMPLETE (1.36:1 Ratio)	12	-	5C31200LP	STERNDRIVE UNIT COMPLETE (1.50:1 Ratio)	12	-
5C31300LP	STERNDRIVE UNIT (1.65:1 Ratio)	12	-	5D30136KZ	END MODEL Stern Drive (1.36:1 Ratio)	6	-
5D30150KZ	END MODEL Stern Drive (1.50:1 Ratio)	6	-	5D30165KZ	END MODEL Stern Drive (1.65:1 Ratio)	6	-
5D30181KZ	END MODEL Stern Drive (1.81:1 Ratio)	6	-	5D30200KZ	END MODEL Stern Drive (2.00:1 Ratio)	6	-
5D30220KZ	END MODEL Stern Drive (2.20:1 Ratio)	6	-	5D30243KZ	END MODEL Stern Drive (2.43:1 Ratio)	6	-
6020004KZ		26	-	6020008KZ	GIMBAL HOUSING ASSEMBLY	26	-
60605	SCREW (#10-16 x .750)	90	16	61069	WRENCH Bearing Carrier Retainer	98	-
61075	TOLERANCE RING	36	11	61077	ADAPTER TOOL Driveshaft	98	-
61077	ADAPTER TOOL Driveshaft	100	-	61077	ADAPTER TOOL Driveshaft	102	-
627021	O-RING (.301 x .070)	90	8	62705	O-RING	42	5
62705	O-RING	44	7	62705	O-RING	48	7
62813A4	CARRIER ASSEMBLY Bearing	62	36	62820	PROPELLER SHAFT	60	30
63616	PULLER (Hi-Performance, Transom Assembly)	96	-	63616	PULLER	96	-
63619	DRIVER TOOL	100	-	63626	DRIVER	100	-
63638	DRIVER TOOL Bearing	98	-	63638	DRIVER TOOL Bearing	100	-
63638	DRIVER TOOL Bearing	102	-	642351	J CLIP	90	14
65210	SCREW (.375-16 x 1.00)	54	38	657461	SCREW AND LOCKWASHER (.250-20 x .625) (4.3LX/4.3LXH/262 MAG. EFI 7.4L/454/7.4LX EFI)	90	31
66093T	RING Load	60	34	66274	TORQUE WRENCH (0-150 lb-in)	94	-
66274	TORQUE WRENCH (0-150 lb-in)	98	-	66274	TORQUE WRENCH (0-150 lb-in)	102	-
66668A1	BEARING ASSEMBLY Tapered Roller	56	11	66668A1	BEARING ASSEMBLY Tapered Roller	56	28
66668A1	BEARING ASSEMBLY Tapered Roller	60	15	66668A1	BEARING ASSEMBLY Tapered Roller	64	19
66668A1	BEARING ASSEMBLY Tapered Roller	70	16	67440T	LOAD RING	56	29

PARTS INDEX

Part No.	Description	Pg.	Ref.no	Part No.	Description	Pg.	Ref.no
67443	DRIVER TOOL Bearing Cup	98	-	67443	DRIVER TOOL Bearing Cup	100	-
67443	DRIVER TOOL Bearing Cup	102	-	67892A1	FITTING KIT Magnetic, Plug Fill/Drain	44	10
67892A1	FITTING KIT Magnetic, Plug Fill/Drain	48	10	67892A1	FITTING KIT Magnetic, Plug Fill/Drain	56	34
67892A1	FITTING KIT Magnetic, Plug Fill/Drain	60	7	67892A1	FITTING KIT Magnetic, Plug Fill/Drain	64	10
67892A1	FITTING KIT Magnetic, Plug Fill/Drain	70	10	68219	NUT (#10-32) Stainless Steel	88	9
68292	NUT (.312-18)	78	5	68891	DRIVER	100	-
69057	WASHER (.281 x .734 x .063) (4.3LX/4.3LXH/262 MAG. EFI 7.4L/454/7.4LX EFI)	90	32	69067	SCREW (.250-20 x 1.375)	88	2
69205	C WASHER	90	17	69432	LOCKWASHER External (#10)	58	38
69432	LOCKWASHER External (#10)	74	8	72008	NUT (.250-20) (4.3LX/4.3LXH/262 MAG. EFI 7.4L/454/7.4LX EFI)	90	33
72202	SCREW (#10-32 x 1.25)	88	7	74036	FITTING Grease	36	7
74639	BELLOWS Shift Cable	36	24	758321	CROSS AND BEARING	52	25
762144	ANODE	64	13	76214A5	ANODE KIT	56	7
76214A5	ANODE KIT	60	9	76214A5	ANODE KIT	64	8
76214A5	ANODE KIT	70	8	76868	SEAL	56	33
76868A2	SEAL KIT	58	-	76868A2	SEAL KIT	62	-
76868A2	SEAL KIT	66	-	76868A2	SEAL KIT	72	-
77633	LUBRICAP	36	8	78038	SCREW (.250-20 x 1.75)	36	22
78310	PIN TOOL Hinge	96	-	78458A1	TUBE	42	13
78968	LOCKWASHER Internal (.250)	36	31	79023A10	FUSE ASSEMBLY 110 Ampere	78	20
79091	FUSE 20 Ampere	78	7	79138A9	CABLE ASSEMBLY (6.00 Feet) Black-Negative (NEGATIVE)	78	2
79139A12	CABLE ASSEMBLY Red-Positive (POSITIVE)	78	19	79146	RETAINER	38	20
79147A3	HARNASS ASSEMBLY	78	6	79448	RETAINER	58	40
805068	WASHER	64	16	805068	WASHER	70	13
805072	BUSHING	66	33	805072	BUSHING	70	30
805073T	PROPELLER SHAFT (INNER)	64	31	805073T	PROPELLER SHAFT (INNER)	70	28
805074A2	PROPELLER SHAFT (OUTER)	66	38	805074A2	PROPELLER SHAFT (OUTER)	72	35
805077	SEAL Oil	66	40	805077	SEAL Oil	72	37
805078A1	SHIM ASSEMBLY	66	36	805078A1	SHIM ASSEMBLY	72	33
805079	BEARING Roller	66	44	805079	BEARING Roller	72	41
805080	SEAL Oil	66	45	805080	SEAL Oil	72	42
805092	PROP NUT (FRONT)	66	47	805092	PROP NUT (FRONT)	72	44
805093	PROP NUT (REAR)	66	49	805093	PROP NUT (REAR)	72	46
805096	RING Retaining	66	35	805096	RING Retaining	70	32
805100T	THRUST HUB (FRONT)	66	46	805100T	THRUST HUB (FRONT)	72	43
805101T	THRUST HUB (REAR)	66	48	805101T	THRUST HUB (REAR)	72	45
805130A6	SENDER KIT Dual Station	38	-	805134A4	ROTOR KIT	38	NS
805164	U BOLT	38	24	805182A1	BEARING ASSEMBLY Tapered Roller	66	37
805182A1	BEARING ASSEMBLY Tapered Roller	72	34	805261A1	WEAR PAD KIT	52	8
805272	RING Retaining	74	14	805294	GROMMET	88	6
805320A1	SWITCH ASSEMBLY	38	6	805322	BEARING Caged Roller	64	32
805322	BEARING Caged Roller	70	29	805329A1	CARRIER ASSEMBLY Bearing	66	42
805329A1	CARRIER ASSEMBLY Bearing	72	39	805330	RETAINER	66	41
805330	RETAINER	72	38	805331	O-RING	66	43
805331	O-RING	72	40	805338A93	DECAL SET	28	-
805344	SEAL (.625 Outside Diameter)	56	5	805344	SEAL (.625 Outside Diameter)	60	5
805344	SEAL (.625 Outside Diameter)	64	4	805344	SEAL (.625 Outside Diameter)	70	4
805352	INSTALLATION TOOL Bearing Outer Propshaft	102	-	805356	INSTALLATION TOOL Bearing	102	-
805357	STUD (.375-16 x 2.130)	90	22	805358	INSTALLATION TOOL Seal Outer Propshaft	102	-
805370A1	DRIVESHAFT	64	20	805370A1	DRIVESHAFT	70	17
805372	INSTALLATION TOOL Bearing	102	-	805374	INSTALLATION TOOL Bearing	102	-
8053741	INSTALLATION TOOL Bearing	102	-	805381	RETAINING TOOL Driveshaft	102	-
805382	INSTALLATION TOOL Bearing Retainer Outer Propshaft	102	-	805448A1	GEAR SET (15/19) (1.36:1 - 1.50:1 Ratio)	64	17
805448A1	GEAR SET (15/19) (1.36:1 - 1.50:1 Ratio)	70	14	805454	HANDLE TOOL Front Bearing Race	102	-
8054571	INSTALLATION TOOL Propeller Nut	102	-	805459	STUD Mercathode Mounting	88	12
805462	SHIMMING TOOL	102	-	805470	DRIVER GUIDE	102	-
805475A1	ALIGNMENT TOOL ASSEMBLY	96	-	805481	ROD TOOL Backlash Indicator Inner Propshaft	102	-
805482	ROD TOOL Backlash Indicator Outer Propshaft	102	-	805543	SCREW (1.25 inch)	52	15
805627A1	SHIM ASSEMBLY	66	34	805627A1	SHIM ASSEMBLY	70	31

PARTS INDEX

Part No.	Description	Pg.	Ref.no	Part No.	Description	Pg.	Ref.no
805702A1	PLATE ASSEMBLY Extension	64	12	805733	SCREW (.250-28 x 1.00)	52	12
806034A1	ACTUATOR ASSEMBLY Power Steering	84	1	806188A1	ANODE ASSEMBLY	56	36
806190A1	ANODE ASSEMBLY	74	6	806191T	CAP	82	21
806193A13	RESERVOIR Fitting Pointing Toward Left Side	90	27	806193A3	RESERVOIR ASSEMBLY Oil Fitting Pointing Toward Right Side	90	27
806210	LOCKWASHER (.437)	56	8	806210	LOCKWASHER (.437)	60	10
806210	LOCKWASHER (.437)	64	7	806210	LOCKWASHER (.437)	70	7
806241	WASHER	42	2	806290	SCREW (#10-32 x .625)	58	37
806290	SCREW (#10-32 x .625)	74	7	806292T	BRACKET	90	20
806293T	BRACKET Clip (3.0L/3.6L,4.2L DIESEL/7.4L/7.4LX/454/502)	90	18	806327	SCREW (.437-14 x 1.750)	56	9
806327	SCREW (.437-14 x 1.750)	64	6	806327	SCREW (.437-14 x 1.750)	64	14
806327	SCREW (.437-14 x 1.750)	70	6	806552	YOKE Shifter	52	11
806552A1	YOKE AND CAM ASSEMBLY	52	10	806649T	BRACKET 262 MAG. EFI	90	25
806650T	BRACKET 5.7L/5.7LX/350 MAGNUM (EFI) 262 MAG. EFI	90	26	806692A2	TRIM Down	74	27
807006	SEAL Oil	52	29	807024T	BRACKET (3.0L/3.6L,4.2L DIESEL/7.4L/7.4LX/454/502)	90	19
807025T	BRACKET	90	21	807073	BUSHING	74	16
807073	BUSHING	74	22	807204	SCREW (.437-20 x 2.00)	38	17
807375A1	CLUTCH AND CAM KIT	44	22	807375A1	CLUTCH AND CAM KIT	52	10
807375A2	CLUTCH ASSEMBLY	44	22	807375A2	CLUTCH ASSEMBLY	48	22
807436A6	GEAR (1.50:1 BRAVO I) (1.65:1 BRAVO II & III) (2.00:1 BRAVO II & III)	44	20	807436A7	GEAR (1.50:1 BRAVO III)	44	20
807437A5	GEAR (1.65:1 BRAVO I) (2.20:1 BRAVO II & III) (2.43:1 BRAVO III)	44	20	807438A5	GEAR (1.36:1 BRAVO I)	44	20
807438A5	GEAR (1.36:1 BRAVO III & 1.50:1 BRAVO II)	44	20	807438A5	GEAR (1.81:1 BRAVO II & III)	44	20
807438A6	GEAR (1.36:1 BRAVO I)	44	20	807438A6	GEAR (1.36:1 BRAVO III & BRAVO II)	44	20
807754	SCREW (#10-24 x .38)	46	32	807754	SCREW (#10-24 x .38)	48	32
807839T	BRACKET (4.3LX/4.3LXH/262 MAG. EFI 7.4L/454/7.4LX EFI)	90	30	808006	INSERT Trim Adjustment	46	30
808006	INSERT Trim Adjustment	48	30	808023T	STRAP Bracket	92	35
808624	CONNECTOR	90	29	808625	CAP Drive Lube Monitor Oil Bottle	90	28
808727	CONNECTOR (.50-20 UNF To .4375-24 Inverted Flare)	74	26	808728	ADAPTER	80	1
809666A02	PROP NUT/ANODE KIT Aluminum	66	-	809666A02	PROP NUT/ANODE KIT Aluminum	72	-
809666A03	PROP NUT/ANODE KIT Magnesium	66	-	809666A03	PROP NUT/ANODE KIT Magnesium	72	-
80980896	PARTS MANUAL BRAVO I/III/III STERNDRIVE AND TRANSOM ASSEMBLY	2	-	812498A1	VALVE KIT Relief (Up Pressure)	80	-
812499A1	VALVE KIT Relief (Down Pressure)	80	-	812561A2	DRIVESHAFT ASSEMBLY	60	16
812773T	DRIVESHAFT	44	24	812773T	DRIVESHAFT	48	24
813653	DRIVER TOOL Bearing	94	-	813653	DRIVER TOOL Bearing	98	-
813653	DRIVER TOOL Bearing	100	-	813653	DRIVER TOOL Bearing	102	-
814242	SEAL Oil Fish Line Cutter	62	38	814382	CONNECTOR	42	22
815303	ADAPTER	42	16	815471A3	CABLE ASSEMBLY	32	10
815472	WASHER	32	12	815504320	CLAMP Worm Gear	36	26
815504348	CLAMP Worm Gear	42	15	815504372	CLAMP Worm Gear	42	11
815661T	GEAR Pinion (1.36:1 BRAVO I & III, 1.50:1 BRAVO II, 1.81:1 BRAVO II & III)	54	34	815900	BEARING	44	5
815900	BEARING	44	13	815900	BEARING	48	5
815900	BEARING	48	13	815901	RACE Bearing	56	13
815901	RACE Bearing	60	17	815901	RACE Bearing	64	21
815901	RACE Bearing	70	18	816510T	BRACKET	38	23
816594A1	FITTING ASSEMBLY	42	20	816606	CLAMP	42	19
816629	TAB WASHER	58	43	817570	DRIVER TOOL Oil Seal	94	-
818162	INSTALLATION TOOL Sleeve	96	-	818169	SLEEVE REMOVAL TOOL	96	-
818304A1	BLOCK OFF KIT	86	1	818305	GASKET	86	2
818557	CLAMP	38	26	818557	CLAMP	42	23
818664	GEAR Pinion (1.65:1 BRAVO I, 2.20:1 BRAVO II & III, 2.43:1 BRAVO III)	54	34	818834	STUD (.437-20 x 4.250)	36	3
821092	SEAL Oil	62	38	821579	SCREW (#10-24 x .500)	38	11
821630A1	ANODE ASSEMBLY	54	37	821997	PIN Hinge	38	10
822374A3	GIMBAL RING ASSEMBLY	38	1	822374A4	GIMBAL RING ASSEMBLY	38	1
822535A1	GEAR SET (16/27) (1.81:1 - 2.00:1 - 2.20:1 Ratio)	64	17	822535A1	GEAR SET (16/27) (1.81:1 - 2.00:1 - 2.20:1 Ratio)	70	14
823444	SCREW	80	21	824517A1	GEAR SET (18/25) (1.65:1 Ratio)	64	17

PARTS INDEX

Part No.	Description	Pg.	Ref.no	Part No.	Description	Pg.	Ref.no
824517A1	GEAR SET (18/25) (1.65:1 Ratio)	70	14	826642T	GEAR Pinion (1.50:1 BRAVO I & III, 1.65:1 BRAVO II & III, 2.00:1 BRAVO II & III)	54	34
827303	GEAR DRIVE (1.50:1 - 1.65:1 Ratio)	60	32	827304	GEAR Pinion (1.50:1 - 1.65:1 Ratio)	60	25
827614	PROP NUT	58	44	828336A1	GEAR SET (13/24) (2.43:1 Ratio)	64	17
828336A1	GEAR SET (13/24) (2.43:1 Ratio)	70	14	8294A14	GEAR HOUSING ASSEMBLY	60	1
8294A16	GEAR HOUSING ASSEMBLY (1.81:1 - 2.00:1 - 2.20:1 Ratio)	22	-	8294A16	GEAR HOUSING ASSEMBLY (1.81:1 - 2.00:1 - 2.20:1 Ratio)	60	-
8294A19	GEAR HOUSING ASSEMBLY (1.50:1 - 1.65:1 Ratio)	22	-	8294A19	GEAR HOUSING ASSEMBLY (1.50:1 - 1.65:1 Ratio)	60	-
830749	SEAL	4	-	830749	SEAL	4	-
830749	SEAL	4	-	830749	SEAL	4	-
83155	ADAPTER KIT Dial Indicator	98	-	8354671	THRUST HUB	58	41
847637	BUSHING	38	3	847637	BUSHING	42	6
847638	BUSHING Use With Magnum Gimbal Ring	38	2	847638	BUSHING	38	2
850186	TUBE	60	13	85060	PLATE	74	11
85344	WASHER (.750 Inside Diameter)	38	15	85486	SCREW (.250-20 x .380) Stainless Steel	74	12
856184A1	GEAR SET (1.50:1 BRAVO I & III, 1.65:1 BRAVO II & III, 2.00:1 BRAVO II & III)	48	20	856186A1	GEAR SET (1.36:1 BRAVO I & III, 1.50:1 BRAVO II, 1.81:1 BRAVO II & III)	48	20
856188A1	GEAR SET (1.65:1 BRAVO I, 2.20:1 BRAVO II & III, 2.43:1 BRAVO III)	48	20	860065A1	BRACKET KIT Oil Bottle (5.7L/5.7LX/350 MAGNUM CARB & EFI/ 3.0L/3.6L4.2L DIESEL/7.4L/7.4LX/454/502)	92	34
860323	RING Thrust	60	33	86049	CLIP Grounding	42	10
86049	CLIP Grounding	42	14	861127	HOSE Black Connector to Pump	74	1
861128	HOSE Gray Connector to Pump	74	2	861150A1	PLUG ASSEMBLY Bulk Head	90	6
861163	QUICK CONNECTOR (90 Degree)	90	10	861175A2	SHIFT LINKAGE ASSEMBLY High Bump Shift Lever	52	16
861209A1	BUSHING KIT	44	8	861209A1	BUSHING KIT	48	8
861432A98	DECAL SET	30	-	861433A98	DECAL SET	30	-
861434A98	DECAL SET	30	-	861435A98	DECAL SET	30	-
861437A98	DECAL SET	30	-	861438A98	DECAL SET	30	-
861439A98	DECAL SET	30	-	862540A3	BEARING ASSEMBLY	36	10
86322A15	CABLE ASSEMBLY (5.50 Inches) Black Black	78	18	86322A24	CABLE ASSEMBLY (4.00 Inches) Black	78	29
865436A02	SHIFT CABLE	4	-	865437A02	SHIFT CABLE	4	-
86739	TAB WASHER	56	15	86739	TAB WASHER	60	19
86739	TAB WASHER	64	23	86739	TAB WASHER	70	20
86746	WASHER	56	22	86746	WASHER	60	26
86748A1	BEARING ASSEMBLY Tapered Roller	56	14	86748A1	BEARING ASSEMBLY Tapered Roller	60	18
86748A1	BEARING ASSEMBLY Tapered Roller	64	22	86748A1	BEARING ASSEMBLY Tapered Roller	70	19
86749A1	SHIM KIT	56	16	86749A1	SHIM KIT	60	20
86749A1	SHIM KIT	64	24	86749A1	SHIM KIT	70	21
86752A1	BEARING ASSEMBLY Tapered Roller	56	25	86752A1	BEARING ASSEMBLY Tapered Roller	64	30
86752A1	BEARING ASSEMBLY Tapered Roller	70	27	86754	BEARING Roller	56	6
86754	BEARING Roller	60	6	86754	BEARING Roller	64	9
86754	BEARING Roller	70	9	86763A2	BEARING ASSEMBLY Tapered Roller	54	33
86768A2	BEARING ASSEMBLY Thrust	44	21	86768A2	BEARING ASSEMBLY Thrust	48	21
86770	COLLAR	44	25	86770	COLLAR	48	25
86771	BEARING Thrust	44	19	86771	BEARING Thrust	48	19
86776	LATCH	52	20	86779A1	CARRIER ASSEMBLY	52	28
86780	RING	52	32	86801	SCREW Hinge Pin	38	5
86814	SLEEVE	42	12	86840A3	BELLOWS ASSEMBLY	42	9
87156	BEARING ASSEMBLY Roller	44	6	87156	BEARING ASSEMBLY Roller	44	14
87156	BEARING ASSEMBLY Roller	48	6	87156	BEARING ASSEMBLY Roller	48	14
87157A1	SHIM KIT	56	24	87157A1	SHIM KIT	64	29
87157A1	SHIM KIT	70	26	87158	SCREW (.375-16 x 1.875)	52	7
87399A2	OVERHAUL KIT	74	-	87399A2	OVERHAUL KIT	82	-
87400A2	SEAL KIT	74	-	87400A2	SEAL KIT	82	-
87560091	BEARING Thrust (.091)	44	17	87560091	BEARING Thrust (.091)	48	17
87560094	BEARING Thrust (.094)	44	17	87560094	BEARING Thrust (.094)	48	17
87560097	BEARING Thrust (.097)	44	17	87560097	BEARING Thrust (.097)	48	17
87843	E RING	90	9	88075	RETAINER	78	9
88242	RING Retaining	56	20	88242	RING Retaining	60	24
88242	RING Retaining	64	28	88242	RING Retaining	70	25
88243A3	COUPLING ASSEMBLY	56	19	88243A3	COUPLING ASSEMBLY	60	23

PARTS INDEX

Part No.	Description	Pg.	Ref.no	Part No.	Description	Pg.	Ref.no
88243A3	COUPLING ASSEMBLY	64	27	88243A3	COUPLING ASSEMBLY	70	24
88388	O-RING	88	5	88416	SEAL OIL	36	9
88543A3	CABLE ASSEMBLY	88	13	8866A15	GEAR HOUSING ASSEMBLY	22	-
8866A15	GEAR HOUSING ASSEMBLY Complete	56	-	8866A17	GEAR HOUSING ASSEMBLY	56	1
8866A18	GEAR HOUSING ASSEMBLY	64	1	8866A20	GEAR HOUSING ASSEMBLY (1.81:1 - 2.00:1 - 2.20:1 Ratio)	64	-
8866A35	GEAR HOUSING ASSEMBLY (1.81:1 - 2.00:1 - 2.20:1 Ratio)	22	-	8866A35	GEAR HOUSING ASSEMBLY (1.81:1 - 2.00:1 - 2.20:1 Ratio)	70	-
8866A36	GEAR HOUSING ASSEMBLY (1.65:1 Ratio)	22	-	8866A36	GEAR HOUSING ASSEMBLY (1.65:1 Ratio)	70	-
8866A37	GEAR HOUSING ASSEMBLY (1.36:1 - 1.50:1 Ratio)	22	-	8866A37	GEAR HOUSING ASSEMBLY (1.36:1 - 1.50:1 Ratio)	70	-
8866A38	GEAR HOUSING ASSEMBLY	70	1	8866A45	GEAR HOUSING ASSEMBLY (1.65:1 Ratio)	64	-
8866A46	GEAR HOUSING ASSEMBLY (1.36:1 - 1.50:1 Ratio)	64	-	8866A47	GEAR HOUSING ASSEMBLY (2.43:1 Ratio)	64	-
8866A51	GEAR HOUSING ASSEMBLY (2.43:1 Ratio)	22	-	8866A51	GEAR HOUSING ASSEMBLY (2.43:1 Ratio)	70	-
8866A54	GEAR HOUSING ASSEMBLY	56	1	8866A55	GEAR HOUSING ASSEMBLY	24	-
8866A55	GEAR HOUSING ASSEMBLY Complete	56	-	8868G13	HOUSING ASSEMBLY Driveshaft (1.50:1 Ratio)	14	-
8868G13	HOUSING ASSEMBLY Driveshaft (1.65:1 Ratio)	14	-	8868G13	HOUSING ASSEMBLY Driveshaft (2.00:1 Ratio)	14	-
8868G13	HOUSING ASSEMBLY Driveshaft (1.65:1 Ratio)	14	-	8868G13	HOUSING ASSEMBLY Driveshaft (2.00:1 Ratio)	14	-
8868G15	HOUSING ASSEMBLY Driveshaft (1.81:1 Ratio)	14	-	8868G15	HOUSING ASSEMBLY Driveshaft (1.81:1 Ratio)	14	-
8868G17	HOUSING ASSEMBLY Driveshaft (1.65:1 Ratio)	14	-	8868G17	HOUSING ASSEMBLY Driveshaft (2.20:1 Ratio)	14	-
8868G17	HOUSING ASSEMBLY Driveshaft (2.20:1 Ratio)	14	-	8868G17	HOUSING ASSEMBLY Driveshaft (2.43:1 Ratio)	14	-
8868G19	HOUSING ASSEMBLY Driveshaft (1.50:1 Ratio)	14	-	8868G21	HOUSING ASSEMBLY Driveshaft	44	1
8868G21	HOUSING ASSEMBLY Driveshaft	48	1	8868G23	HOUSING ASSEMBLY Driveshaft (1.36:1 Ratio)	14	-
8868G23	HOUSING ASSEMBLY Driveshaft (1.50:1 Ratio)	14	-	8868G23	HOUSING ASSEMBLY Driveshaft (1.36:1 Ratio)	14	-
8868G65	HOUSING ASSEMBLY Driveshaft (1.81:1 Ratio)	18	-	8868G67	HOUSING ASSEMBLY Driveshaft (2.00:1 Ratio)	18	-
8868G69	HOUSING ASSEMBLY Driveshaft (2.20:1 Ratio)	18	-	8868G69	HOUSING ASSEMBLY Driveshaft (2.43:1 Ratio)	18	-
8868G89	HOUSING ASSEMBLY Driveshaft (1.50:1 Ratio)	16	-	8868G89	HOUSING ASSEMBLY Driveshaft (1.65:1 Ratio)	16	-
8868G89	HOUSING ASSEMBLY Driveshaft (2.00:1 Ratio)	16	-	8868G89	HOUSING ASSEMBLY Driveshaft (1.50:1 Ratio)	16	-
8868G89	HOUSING ASSEMBLY Driveshaft (1.65:1 Ratio)	16	-	8868G89	HOUSING ASSEMBLY Driveshaft (2.00:1 Ratio)	16	-
8868G89	HOUSING ASSEMBLY Driveshaft (1.50:1 Ratio)	20	-	8868G91	HOUSING ASSEMBLY Driveshaft (1.65:1 Ratio)	16	-
8868G91	HOUSING ASSEMBLY Driveshaft (2.20:1 Ratio)	16	-	8868G91	HOUSING ASSEMBLY Driveshaft (2.20:1 Ratio)	16	-
8868G91	HOUSING ASSEMBLY Driveshaft (2.43:1 Ratio)	16	-	8868G91	HOUSING ASSEMBLY Driveshaft (1.65:1 Ratio)	20	-
8868G93	HOUSING ASSEMBLY Driveshaft (1.36:1 Ratio)	16	-	8868G93	HOUSING ASSEMBLY Driveshaft (1.50:1 Ratio)	16	-
8868G93	HOUSING ASSEMBLY Driveshaft (1.81:1 Ratio)	16	-	8868G93	HOUSING ASSEMBLY Driveshaft (1.36:1 Ratio)	16	-
8868G93	HOUSING ASSEMBLY Driveshaft (1.81:1 Ratio)	16	-	8868G93	HOUSING ASSEMBLY Driveshaft (1.36:1 Ratio)	20	-
88847A1	PLUG KIT Access Hole	36	-	888758K01	ANODE KIT	4	-
888758K01	ANODE KIT	4	-	888761K01	ANODE KIT	4	-
888761K01	ANODE KIT	4	-	89493	COUPLING	80	2
89496	FILTER	80	4	89498	O-RING	80	5
89865	DRIVER TOOL Cup And Seal	98	-	89867	DRIVER TOOL Bearing	98	-
89867	DRIVER TOOL Bearing	100	-	89867	DRIVER TOOL Bearing	102	-
8M0095485	REPAIR KIT Transom	4	-	8M0095485	REPAIR KIT Transom	4	-
8M0147056	MAINTENANCE KIT Bravo 1 (100 Hours)	4	-	8M0147057	MAINTENANCE KIT Bravo 2/3 (100 Hours)	4	-
8M0147074	MAINTENANCE KIT Bravo 1 (300 Hours)	4	-	8M0147075	MAINTENANCE KIT Bravo 2/3 (300 Hours)	4	-
8M2015913	PLUG (.250-28 x .320)	36	7	90084	SCREW (.437-14 x 1.500)	58	45
90084	SCREW (.437-14 x 1.500)	60	11	90084	SCREW (.437-14 x 1.500)	66	50
90084	SCREW (.437-14 x 1.500)	72	47	90085	SCREW (.4375-14 x 2.75)	62	47
90244A1	DRIVER AND PULLER ASSEMBLY	94	-	90285	SCREW (.312-18 x .625)	78	3
90338A1	PULLER TOOL Bearing Carrier	98	-	90412	WRAPPING (1.16 Feet Bulk)	32	11
90886	WASHER	56	27	91964	WASHER	38	18
91964	WASHER	46	28	91964	WASHER	48	28
91964	WASHER	58	46	91964	WASHER	60	12
91964	WASHER	62	49	91964	WASHER	66	51
91964	WASHER	72	48	91964	WASHER	90	3
92004	RING NUT	52	27	92068A6	TOP COVER	44	12
92068A6	TOP COVER	48	12	92914A1	SHIM KIT	56	10
92914A1	SHIM KIT	60	14	92914A1	SHIM KIT	64	18
92914A1	SHIM KIT	70	15	92916	SPACER	56	17
92916	SPACER	60	21	92916	SPACER	64	25
92916	SPACER	70	22	93505	SPRING	44	23
93505	SPRING	48	23	94275	LINK	78	17

PARTS INDEX

Part No.	Description	Pg.	Ref.no	Part No.	Description	Pg.	Ref.no
94330	NUT (.250-20) Brass	78	14	95084A2	CABLE ASSEMBLY	78	8
95353A1	VALVE KIT Thermal Relief (Thermal Relief)	80	-	96158	SOLENOID Starter	78	10
96457	WASHER Phenolic (.27 x .81 x .062)	78	21	96535	BOOT	78	15
97351	KEEPER	44	26	97351	KEEPER	48	26
97386	O-RING (3.609 x .139)	52	31	97387	O-RING	44	15
97387	O-RING	48	15	97522	NUT (.625-18)	54	36
97934	SCREW (.500-20 x 5.370) Special	32	4	98230A1	SHAFT ASSEMBLY Upper	38	12
98262A1	LEVER ASSEMBLY	38	14	98356	BUSHING	36	6
983571	BUSHING	36	4	98533	NUT (.437-20)	38	19
98548	WASHER (1.125)	38	13	98703A17	TRIM CYLINDER Port	74	5
98703T	TUBE (PORT CYLINDER)	82	20	98704A17	TRIM CYLINDER Starboard	74	4
98704T	TUBE (STARBOARD CYLINDER)	82	20	98794	SCREW (.375-16 x 1.00)	44	16
98794	SCREW (.375-16 x 1.00)	48	16	98794	SCREW (.375-16 x 1.00)	52	6
988231	GASKET	36	29	98825A4	MANIFOLD ASSEMBLY	36	30
98869A11	ELECTRODE ASSEMBLY	88	1	99298	NUT (.500-20)	32	9
99299	SPACER (.520 x .870 x .630)	32	6	99352	BEARING Use With Standard Gimbal Ring	38	2
99353	SWIVEL PIN Lower	36	17	99902	HOSE Trim Cylinder Starboard	74	9
99903	HOSE Trim Cylinder Port	74	10	99904	HOSE Trim Cylinder to Connector	74	3
99940A2	CONTINUITY KIT	34	-	N.S.S.	Not Sold Separate Spring	44	23
N.S.S.	Not Sold Separate Yoke-Shifter	52	11	NSS	NOT SOLD SEPARATE SCREW (M10 x 85)	82	1
NSS	NOT SOLD SEPARATE WASHER	82	2	NSS	NOT SOLD SEPARATE GUIDE	82	3
NSS	NOT SOLD SEPARATE BALL-Steel (.109 Diameter)	82	4	NSS	NOT SOLD SEPARATE PIN	82	5
NSS	NOT SOLD SEPARATE SPRING	82	6	NSS	NOT SOLD SEPARATE EYELET	82	7
NSS	NOT SOLD SEPARATE PISTON	82	8	NSS	NOT SOLD SEPARATE BALL (.250 Diameter)	82	9
NSS	NOT SOLD SEPARATE PUSHER	82	10	NSS	NOT SOLD SEPARATE SPRING	82	11
NSS	NOT SOLD SEPARATE O-RING	82	12	NSS	NOT SOLD SEPARATE O-RING	82	13
NSS	NOT SOLD SEPARATE SPRING	82	14	NSS	NOT SOLD SEPARATE O-RING	82	15
NSS	NOT SOLD SEPARATE SCRAPER ROD	82	16	NSS	NOT SOLD SEPARATE O-RING	82	17
NSS	NOT SOLD SEPARATE WASHER	82	18	NSS	NOT SOLD SEPARATE RETAINING RING	82	19
SEENOTE		52	1	SEENOTE		52	2