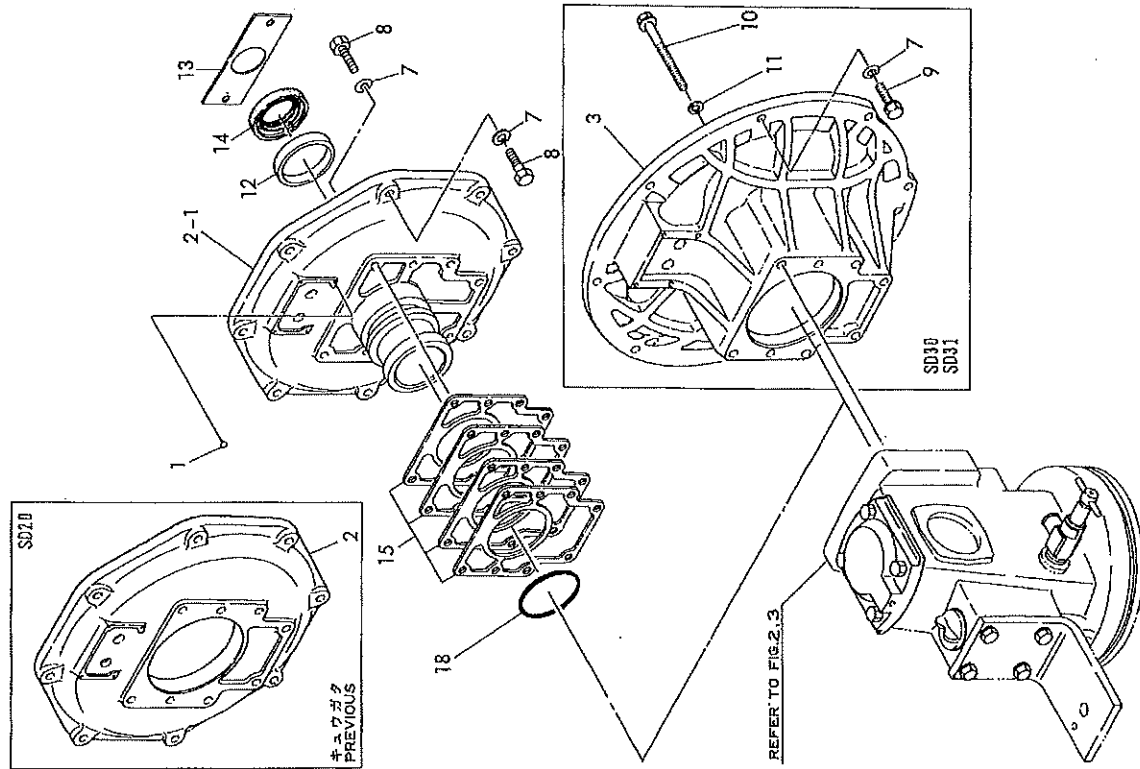


Fig. 1. MOUNTING FLANGE

SPEC. CODE
 096420-07153
 096430-07150
 096431-07150

Fig. 1
 マウンティングフランジ
 MOUNTING FLANGE



(A)=SD20
 (B)=SD30
 (C)=SD31

(D)=
 (E)=
 (F)=

No.	Lev.	Parts No.	Description	QTY				I	R
				(A)	(B)	(C)	(D)		
1	1	196311-02060	RIVET, 2X5	4	4	4			
2	1	196420-02110	FLANGE, MOUNTING	1					S
1	2-1	196420-02111	FLANGE, MOUNTING	1					
		(A=*1984.01)							
3	1	196430-02110	FLANGE, MOUNTING	1	1	1			
7	1	22217-080000	WASHER, SPRING 8	16	8	8			
		(A=*1986.01)		16					
8	1	26206-080302	BOLT, M8X 30 PLATED		8	8			
9	1	26206-080252	BOLT, M8X 25 PLATED		8	8			
10	1	26116-081102	BOLT, M8X110 PLATED		8	8			
11	1	22217-080000	WASHER, SPRING 8		8	8			
1	12	196420-02170	SPACER, SEAL	1	8	8			W
		(A=*1986.01)							
1	13	196420-02180	RETAINER	1					W
		(A=DXXX)							
1	14	101158-02220	SEAL, OIL	1					W
1	15	196420-02470	SHIM SET	1					W
		(A=*1984.01)							
1	18	24321-000650	O-RING, 1AG65.0	1					W
		(A=*1986.01)							

(A)=SD20
(B)=SD30
(C)=SD31

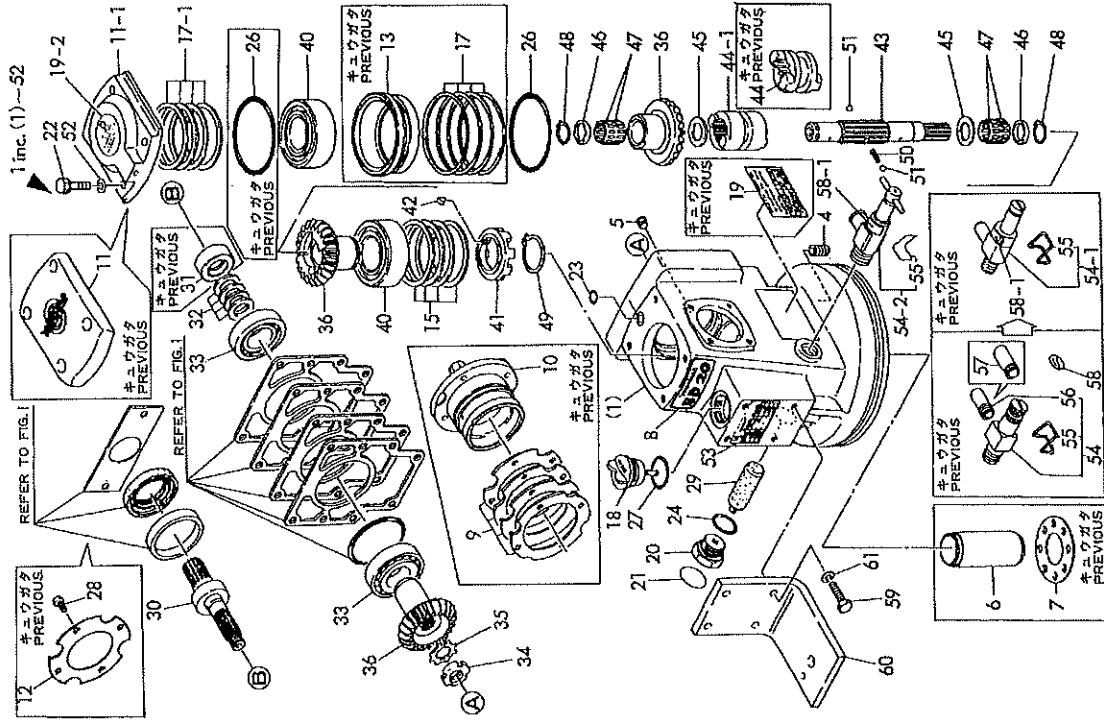
(D)=
(E)=
(F)=

QTY I R

No.	Lev.	Parts No.	Description	(A)	(B)	(C)	(D)	(E)	(F)	I	R
1	1	796420-02900	HOUSING ASSY, GEARS	1							
1-1	1	796420-02901	HOUSING ASSY, UPPER	1							S
		(A=D2129)									
4	3	196420-02050	INSERT, LOCK 10X1.5	8							
5	3	196311-02080	PLUG	1							
5-1	3	23871-010000	PLUG, R01	1							R
		(A=DXXX)									
6	2	196420-02030	GUIDE, OIL	1							Z
		(A=D0820)									
7	2	196420-02040	SUPPORT, GUIDE	1							Z
		(A=D0820)									
8	2	196420-02060	LABEL, NAME	1							Z
9	2	196311-02120	SHIM SET	1							Z
		(A=*1984.01)									
10	2	196420-02141	HOUSING, BEARING	1							Z
		(A=D0909)									
11	2	196420-02151	COVER, UPPER	1							S
11-1	2	196420-02152	COVER, UPPER	1							
		(A=D0916)									
11-2	2	196420-02153	COVER, UPPER	1							N
		(A=*1982.11)									
12	2	196311-02160	RETAINER	1							Z
		(A=*1984.01)									
13	2	196420-02160	SUPPORT, BEARING	1							Z
		(A=D0916)									
14	2	196420-02170	SPACER, SEAL	1							Z
		(A=*1984.01)									
15	2	196420-02200	SHIM SET, 72	1							Z
16	2	101158-02220	SEAL, OIL	1							Z
		(A=*1984.01)									
17	2	196420-02250	SHIM SET, 82	1							N
17-1	2	196420-02200	SHIM SET, 72	1							
		(A=D0916)									
18	2	196420-02350	GAUGE, OIL LEVEL	1							N
19	2	196420-02360	LABEL, LUB OIL	1							
19-1	2	196420-02361	LABEL, LUB OIL	1							
		(A=DXXX)									
19-2	2	196420-02362	LABEL	1							S
		(A=D0916)									
19-3	2	196420-02363	LABEL, LUB OIL	1							N
		(A=*1992.05)									
20	2	196420-02430	PLUG, M24	1							
21	2	196420-02440	LABEL, ZINC	1							
22	2	26206-080252	BOLT, M8X 25 PLATED	4							
23	2	24311-000110	O-RING, 1AP11.0	1							
24	2	24321-000250	O-RING, 1AG25.0	1							Z
25	2	24321-000650	O-RING, 1AG65.0	1							
		(A=*1984.01)									
26	2	24321-000750	O-RING, 1AG75.0	2							
26-1	2	24321-000750	O-RING, 1AG75.0	1							K
		(A=DXXX)									

SPEC. CODE
196420-02072
196420-04070
196420-04260
196420-04113

Fig. 2 アップギヤケース UPPER GEAR HOUSING



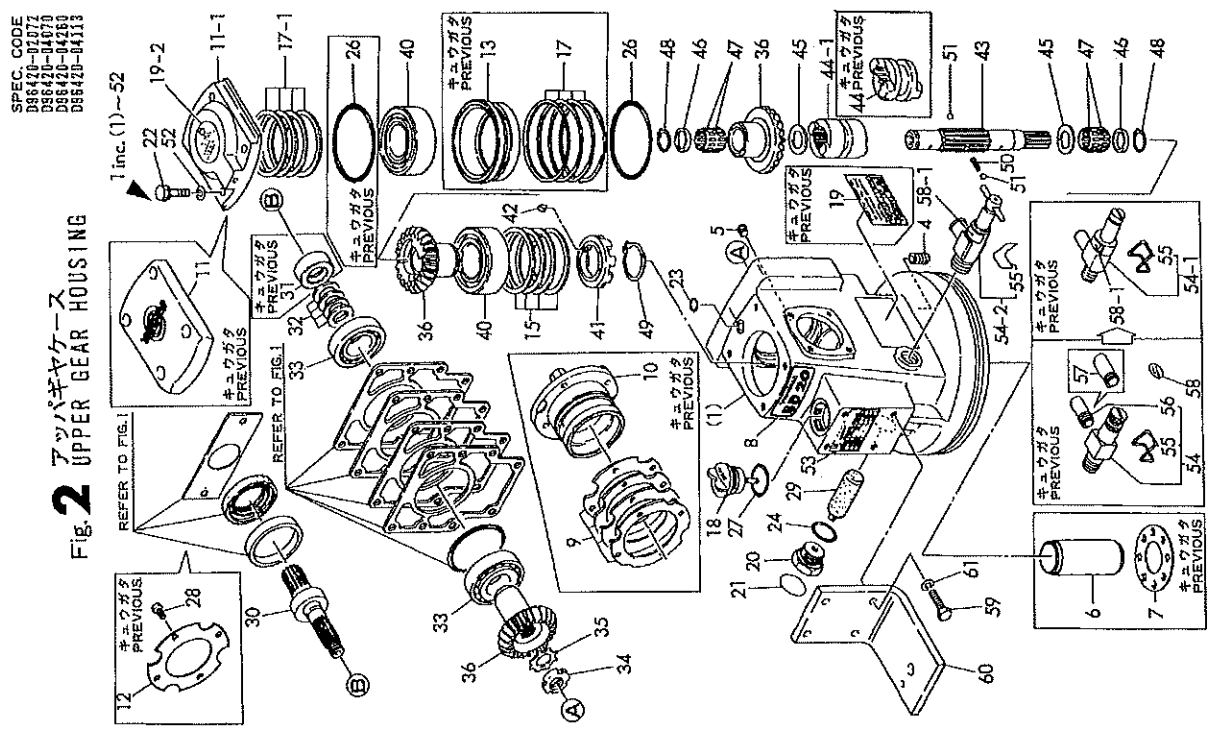
OCF10-M40201 2. UPPER GEAR HOUSING

(A)=SD20
(B)=SD30
(C)=SD31

(D)=
(E)=
(F)=

No.	Qty	Lev.	Parts No.	Description	(A)	(B)	(C)	(D)	(E)	(F)	I	R
27	1	2	24341-000320	O-RING, 1AS32.0	1							
28	4	2	26016-060302 (A=D0909)	BOLT M 6X 30	4							Z
29	1	2	27210-200550	ZINC SCREW 20X55	1							
30	1	2	196420-04130	SHAFT, PINION	1							
31	1	2	196420-04140	COLLAR, SHAFT	1							Z
			(A=1983.10)									
32	1	2	196420-04150	SHIM SET, 20	1							N
32-1	1	2	196312-04150	SHIM SET	1							
			(A=DXXX)									
33	2	2	24141-302060	BEARING, 30206	2							
34	1	2	24211-015002	NUT, BEARING 15	1							
35	1	2	24231-015000	WASHER 15	1							
36	1	2	196420-04700	GEAR ASSY, UPPER	1							
40	2	2	24512-052074	BEARING, BALL 5207	2							
41	1	2	196311-04271	PUMP, OIL	1							
42	1	2	196311-04280	KEY, 4X13	1							
43	1	2	196311-04300	SHAFT, CLUTCH	1							
44	1	2	196420-04310	DOG, CLUTCH	1							S
44-1	1	2	196311-04310 (A=D2129)	DOG, CLUTCH	1							
45	2	2	196311-04320	COLLAR, GEAR	2							
46	2	2	196311-04340	COLLAR	2							
47	4	2	196311-04350	NEEDLE BERG #K202413	4							
48	2	2	196311-04360	CIRCLIP	2							N
48-1	2	2	24164-000202 (A=DXXX)	CIRCLIP, 20	2							
49	1	2	22242-000350	RING, 35	1							W
50	1	2	189060-26760 (A=D2129)	SPRING	1							
51	2	2	24190-080001 (A=D2129)	BALL, STEEL 1/4	2							W
52	4	2	22217-080000	WASHER, SPRING 8	4							
53	1	1	196420-02320	LABEL, ABSORBER	1							
54	1	1	196420-02402	COCK W/Joint, C. WATER	1							N
54-1	1	1	196420-02390 (A=DXXX)	COCK ASSY, C. WATER	1							
54-2	1	1	196420-02391 (A=D5204)	COCK ASSY, C. WATER	1							N
55	1	2	196420-02981	SPRING	1							Z
56	1	2	196420-02991 (A=D0755)	JOINT 14	1							
57	1	1	196420-02420 (A=DXXX)	JOINT, 16	1							Z 1
58	1	1	196420-02411	LABEL, C.W. COCK	1							N
58-1	1	1	196420-02412 (A=DXXX)	LABEL, C.W. COCK	1							
59	4	1	26206-080252	BOLT, M8X 25 PLATED	4							
60	1	1	196420-02300	BRACKET	1							
61	4	1	22217-080000	WASHER, SPRING 8	4							

N:Old $\frac{New}{No}$ New, G:Old $\frac{New}{No}$ New, R:Old $\frac{New}{No}$ New, S:Old $\frac{New}{No}$ New, W:Ad, Z:Discontinued, Flinterchangeable by set, K:Qty Change
Copyright (C) YANMAR CO., LTD. All Rights Reserved.



OCF10-M40201 Fig.2. UPPER GEAR HOUSING

Remarks
1) OPTIONAL

0CF10-M40201

Fig.3. UPPER GEAR HOUSING

SPEC. CODE
 D96430-02070
 D96431-02070
 D96430-04070
 D96420-04260
 D96420-04133

Fig.3 アップギヤケース
 UPPER GEAR HOUSING

0CF10-M40201 3. UPPER GEAR HOUSING

No.	Lev.	Parts No.	Description	(A)	(B)	(C)	(D)	(E)	(F)	I	R
			QTY								
1	1	796430-02900	HOUSING ASSY, GEARS	1							
1-1	1	796430-02901 (B=D0107)	HOUSING ASSY, GEAR	1							S
2	1	796431-02900	HOUSING ASSY, GEAR	1							
7	3	196420-02050	INSERT, LOCK 10X1.5	8	8						
8	3	196311-02080	PLUG	1							
8-1	3	23871-010000 (B=DXXX)	PLUG, R01	1							R
9	2	196430-02060	LABEL, NAME	1							
10	2	196431-02060	LABEL, NAME	1							
11	2	196311-02120	SHIM SET	1							
12	2	196420-02141	HOUSING, BEARING	1							
13	2	196420-02151	COVER, UPPER	1							
13-1	2	196420-02152 (B=D0026)	COVER, UPPER	1							S
13-2	2	196420-02153 (B=*1992.11)	COVER, UPPER	1							N
14	2	196311-02160	RETAINER	1							
15	2	196420-02160 (B=D0026)	SUPPORT, BEARING	1							Z
16	2	196420-02170	SPACER, SEAL	1							
17	2	196420-02200	SHIM SET, 72	1							
18	2	101158-02220	SEAL, OIL	1							
19	2	196420-02250	SHIM SET, 82	1							
19-1	2	196420-02200 (B=D0026)	SHIM SET, 72	1							N
20	2	196420-02350	GAUGE, OIL LEVEL	1							
21	2	196420-02361	LABEL, LUB. OIL	1							
21-1	2	196420-02362 (B=D0026)	LABEL	1							S
21-2	2	196420-02363 (B=*1992.05)	LABEL, LUB OIL	1							
22	2	196420-02430	PLUG, M24	1							
23	2	196420-02440	LABEL, ZINC	1							
24	2	26206-080252	BOLT, M8X 25 PLATED	4	4						
25	2	24311-000110	O-RING, 1APT1.0	1							
26	2	24321-000250	O-RING, 1AG25.0	1							
27	2	24321-000650	O-RING, 1AG65.0	1							
28	2	24321-000750	O-RING, 1AG75.0	2							
28-1	2	24321-000750 (B=DXXX)	O-RING, 1AG75.0	1							K
29	2	24341-000320	O-RING, 1AS32.0	1							
30	2	26016-060302	BOLT M6X 30	4	4						
30-1	2	26116-060302 (B=*1992.12)	BOLT, M6X 30 PLATED	4	4						Q
31	2	27210-200550	ZINC, SCREW20X55	1							
32	2	196430-04130	SHAFT, PINION	1							
33	2	196420-04140	COLLAR, SHAFT	1							
34	2	196312-04150	SHIM SET	1							
35	2	24141-302060	BEARING, 30206	2	2						
36	2	24211-015002	NUT, BEARING 15	1							

NO:Old $\frac{A}{No}$ New, Q:Old $\frac{A}{No}$ New, R:Old $\frac{A}{No}$ New, S:Old $\frac{A}{No}$ New, W:Add, Z:Discontinued, F:Interchangeable by set, K:Qty Change
 Copyright (C) YANMAR CO., LTD. All Rights Reserved.

++ CONTINUE ++

(A)=SD20
(B)=SD30
(C)=SD31

(D)=
(E)=
(F)=

QTY

(A) (B) (C) (D) (E) (F)

I R

Description

Parts No.

Lev.

No.

No.	Lev.	Parts No.	Description	(A)	(B)	(C)	(D)	(E)	(F)	I	R
37	2	24231-015000	WASHER 15	1	1						
38	2	24311-000200	O-RING, 1AP20.0	1	1						
39	2	196420-04700	GEAR ASSY, UPPER	1	1						
43	2	24512-062074	BEARING, BALL 5207	2	2						
44	2	196311-04271	PUMP, OIL	1	1						
45	2	196311-04280	KEY, 4X13	1	1						
46	2	196311-04300	SHAFT, CLUTCH	1	1						
47	2	196420-04310	DOG, CLUTCH	1	1						
47-1	2	196311-04310	DOG, CLUTCH	1	1						S
		(B=D0107)									
48	2	196311-04320	COLLAR, GEAR	2	2						
49	2	196311-04340	COLLAR	2	2						
50	2	196311-04350	NEEDLE BERG.#K202413	4	4						
51	2	196311-04360	CIRCLIP	2	2						
51-1	2	24164-000202	CIRCLIP, 20	2	2						N
		(B=DXXX)									
52	2	22242-000350	RING, 35	1	1						
53	2	189060-26760	SPRING	1	1						W
		(B=D0107)									
54	2	24190-080001	BALL, STEEL 1/4	2	2						W
		(B=D0107)									
55	2	22217-080000	WASHER, SPRING 8	4	4						
55A	2	22282-060000	WASHER 6	4	4						W
		(B=*1992.12)									
		(C=*1992.12)									
56	1	196420-02300	BRACKET	1	1						
57	1	196431-02300	FOOT, MOUNTING	1	1						
58	1	22217-080000	WASHER, SPRING 8	4	4						
59	1	26206-080252	BOLT, M8X 25 PLATED	4	4						
60	1	196420-02390	COCK ASSY, C. WATER	1	1						
60-1	1	196420-02391	COCK ASSY, C. WATER	1	1						N
		(B=D0266)									
61	1	196431-02390	COCK	1	1						
62	2	196420-02981	SPRING	1	1						
63	1	196420-02412	LABEL, C.W COCK	1	1						

SPEC. CODE
998430-82070
998431-82070
998430-04070
998430-04280
998430-04310

Fig. 3 アップギヤケース UPPER GEAR HOUSING

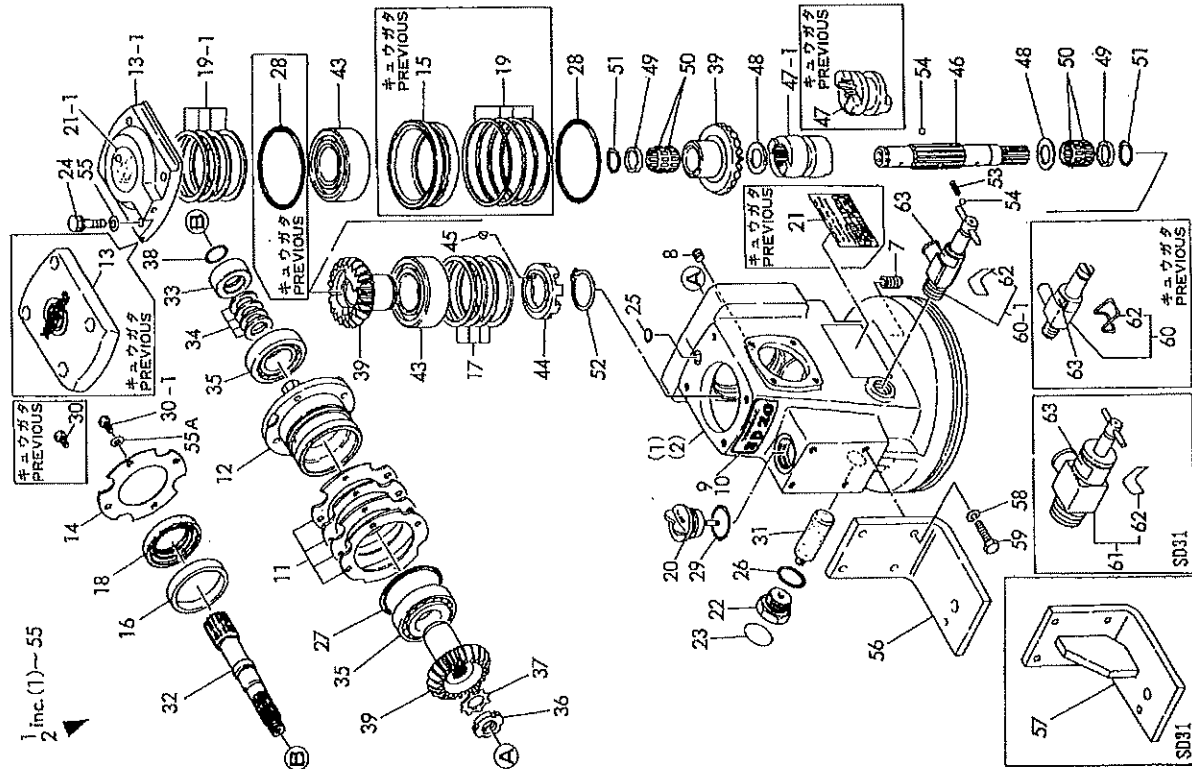
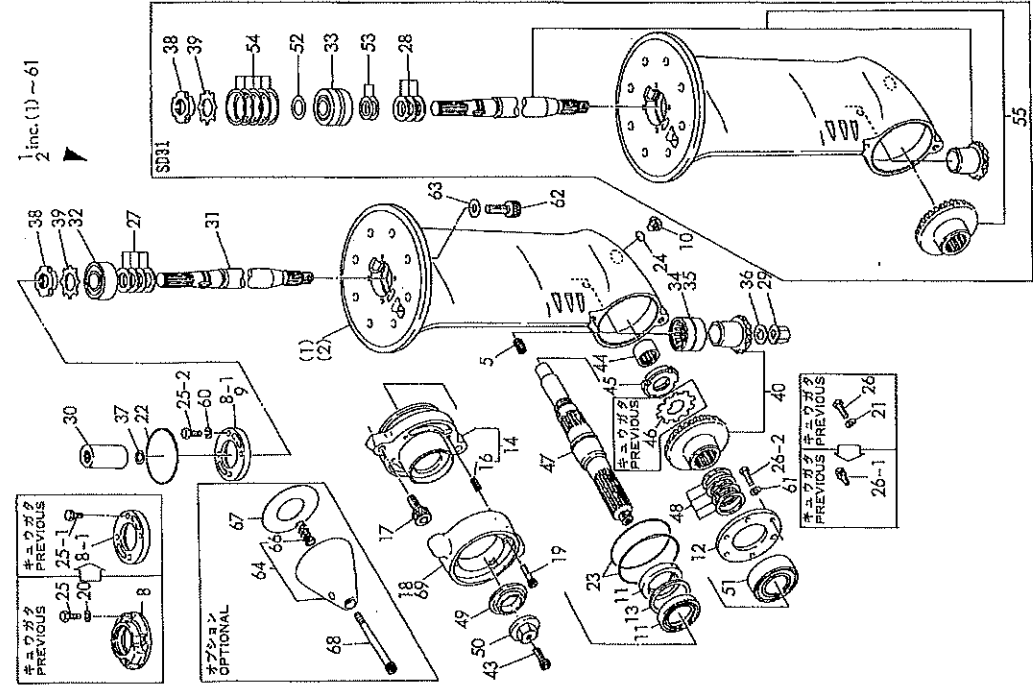


Fig. 4 LOWER GEAR HOUSING

SPEC. CODE
 096431-04170 096420-03171
 096420-04330 096431-05170
 096420-04731 096420-05440
 096420-09260 096420-04171

Fig. 4 ロボギヤケース
 LOWER GEAR HOUSING



(A)=SD20
 (B)=SD30
 (C)=SD31
 (D)=
 (E)=
 (F)=

No.	Lev.	Parts No.	Description	(A)	(B)	(C)	(D)	(E)	(F)	QTY	I	R
1	1	796420-02910	HOUSING ASSY, GEARS	1								
1-1	1	796420-02911	HOUSING ASSY (A=D0821)	1	1						F	1
2	1	796431-02910	HOUSING ASSY, GEAR			1						
5	3	196420-02050	INSERT, LOCK 10X1.5	2	2	2						
8	2	196420-02520	SUPPORT, BEARING	1								
8-1	2	196313-02510	SUPPORT, BEARING (A=D0821)	1	1						F	1
9	2	196431-02520	SUPPORT, BEARING			1						
10	2	196420-02530	PLUG, M10	1	1	1						
11	2	196313-02590	SEAL, OIL	2	2	2						
12	2	196420-02590	RETAINER, BEARING	1	1	1						
13	2	196313-02600	SPACER	1	1	1						
14	2	196420-02601	COVER ASSY, REAR	1	1	1						
16	3	196420-02620	INSERT, LOCK 6X1.5	4	4	4						
17	2	196420-02630	BOLT, M10X25	2								
17-1	2	26453-100252	BOLT, M10X 25 (A=DXXX)	2	2	2					R	
18	2	196420-02651	ZINC, ANTICORROSSIVE	1	1	1						
19	2	196420-02661	BOLT, M 6X 20	4								
19-1	2	26453-060202	BOLT, M6X 20 (A=DXXX)	4	4	4					R	
20	2	22287-060000	WASHER 6	4								
		(A=DXXX)									Z	
21	2	22287-060000	WASHER 6 (A=DXXX)	5								
22	2	24321-000750	O-RING, 1AG75.0 (A=DXXX)	1	1	1						
23	2	24321-000950	O-RING, 1AG95.0	2	2	2						
24	2	24341-000125	O-RING, 1AS12.5	1	1	1						
25	2	26116-060202	BOLT, M6X 20 PLATED	4								
25-1	2	26016-060202	BOLT, M6X 20 (A=DXXX)	4	4	4					R	
25-2	2	26116-060202	BOLT, M6X 20 PLATED (A=*1992.12) (B=*1992.12) (C=*1992.12)	4	4	4					Q	
26	2	26116-060202	BOLT, M6X 20 PLATED	5								
26-1	2	26016-060202	BOLT, M6X 20 (A=DXXX)	5	5	5					R	
26-2	2	26116-060202	BOLT, M6X 20 PLATED (A=*1992.12) (B=*1992.12) (C=*1992.12)	5	5	5					Q	
27	2	196311-04380	COLLAR SET, GEAR	1	1	1						
28	2	196313-04150	COLLAR SET	1	1	1						
29	2	196312-04400	NUT	1	1	1						
29-1	2	196312-04401	NUT, M14 (A=*1986.01) (B=*1986.01)	1	1	1					R	
30	2	196311-04450	SLEEVE, SPLINE	1	1	1						
31	2	196420-04451	SHAFT, DRIVE	1	1	1						
32	2	196311-04470	BEARING D20/47 W21	1	1	1						
32-1	2	24512-052044	BEARING, BALL 5204 (A=*1984.03) (B=*1984.03)	1	1	1					R	
33	2	196313-04470	BEARING	1	1	1						
34	2	196312-04480	BEARING, RNA69/28	1	1	1						

Remarks
 1) INTERCHANGEABLE BY SIMULTANEOUS REPLACEMENT WITH FIG2-REF NO.6 AND REF NO.7.
 2) OPTIONAL

++ CONTINUE ++

(A)=SD20
(B)=SD30
(C)=SD31

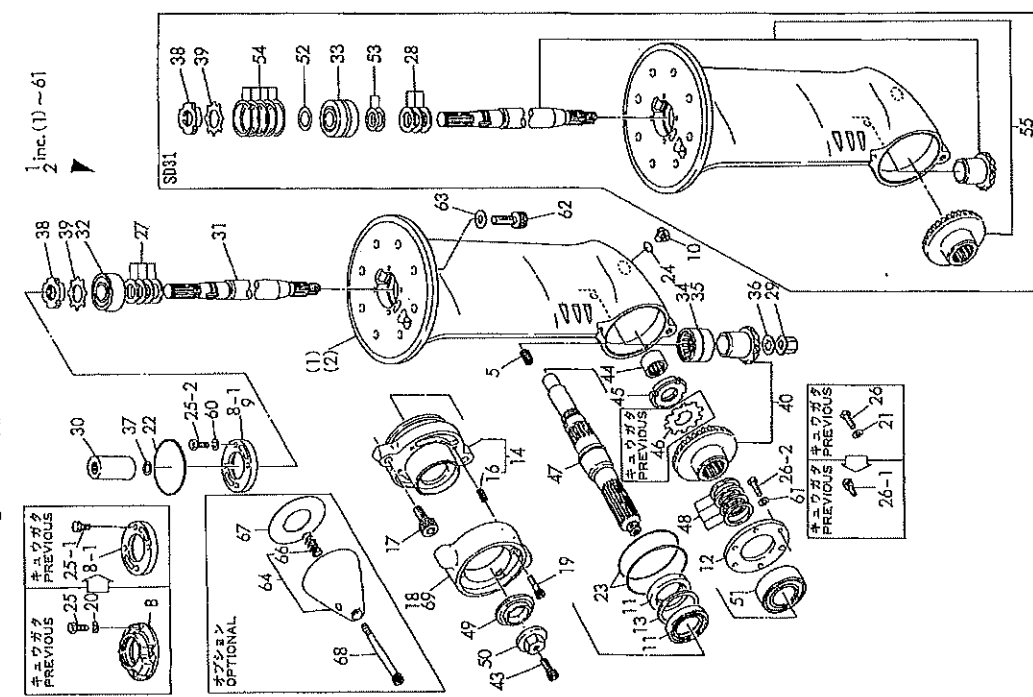
(D)=
(E)=
(F)=

No.	Qty	Lev.	Parts No.	Description	(A)	(B)	(C)	(D)	(E)	(F)	I	R
35	2		196320-04760	BEARING, RNA4932RD2	1	1	1					
36	2		196311-04490	WASHER, 14	1	1	1					
37	2		22252-000160	RING, 16	1	1	1					
38	2		24211-02002	NUT, BEARING 20	1	1	1					
39	2		24231-02000	WASHER 20	1	1	1					
40	2		196420-04850	GEAR ASSY, LOWER	1	1	1					
43	2		196420-09260	BOLT, M8X25	1	1	1					
44	2		196311-04060	BEARING, NA5903	1	1	1					
45	2		196312-04410	NUT	1	1	1					
45-1	2		196313-04500	NUT, BEARING	1	1	1					N
			(A=DXXX)									
46	2		196312-04420	WASHER, BEARING 25	1	1	1					Z
			(A=DXXX)									
47	2		196420-04511	SHAFT, PROPELLER	1	1	1					
47-1	2		196420-04512	SHAFT, PROPELLER	1	1	1					N
			(A=DXXX)									
48	2		196311-04530	COLLAR SET, GEAR	1	1	1					
49	2		196420-09250	SPACER	1	1	1					
50	2		196420-09300	NUT, PROPELLER	1	1	1					
51	2		24512-053064	BEARING, BALL 5306	1	1	1					
52	2		196313-04180	COLLAR, BEARING 3.2	1	1	1					
53	2		196313-04350	SHIM SET, 20	1	1	1					
54	2		196313-04400	SHIM SET, 47	1	1	1					
55	2		196431-04850	GEAR SET, LOWER	4	4	4					W
60	2		22282-060000	WASHER 6	4	4	4					
			(A=*1992.12)									
			(B=*1992.12)									
			(C=*1992.12)									
61	2		22282-060000	WASHER 6	5	5	5					W
			(A=*1992.12)									
			(B=*1992.12)									
62	1		196420-02630	BOLT M10X25	8	8	8					
62-1	1		26453-100252	BOLT, M10X, 25	8	8	8					R
			(A=DXXX)									
63	1		22113-100000	WASHER, 10	8	8	8					
64	1		196420-09200	NUT ASSY, PROPELLER	1	1	1					2
66	2		26273-160201	INSERT, 16X2.0D	1	1	1					2
67	1		196420-09220	WASHER, PROPELLER	1	1	1					2
68	1		26453-080752	BOLT, M8X 75	1	1	1					2
69	1		196420-02640	ZINC, ANTI-CORROSIVE	1	1	1					W 2
			(A=*1992.06)									
			(B=*1992.06)									
			(C=*1992.06)									

REMARKS
1) INTERCHANGEABLE BY SIMULTANEOUS REPLACEMENT WITH FIG2-REF NO.6 AND REF NO.7.
2) OPTIONAL

SPEC. CODE
096431-04170 096420-02121
096420-04330 096431-02110
096420-04731 096420-02410
096420-05200 096420-04171

Fig. 4 LOWER GEAR HOUSING



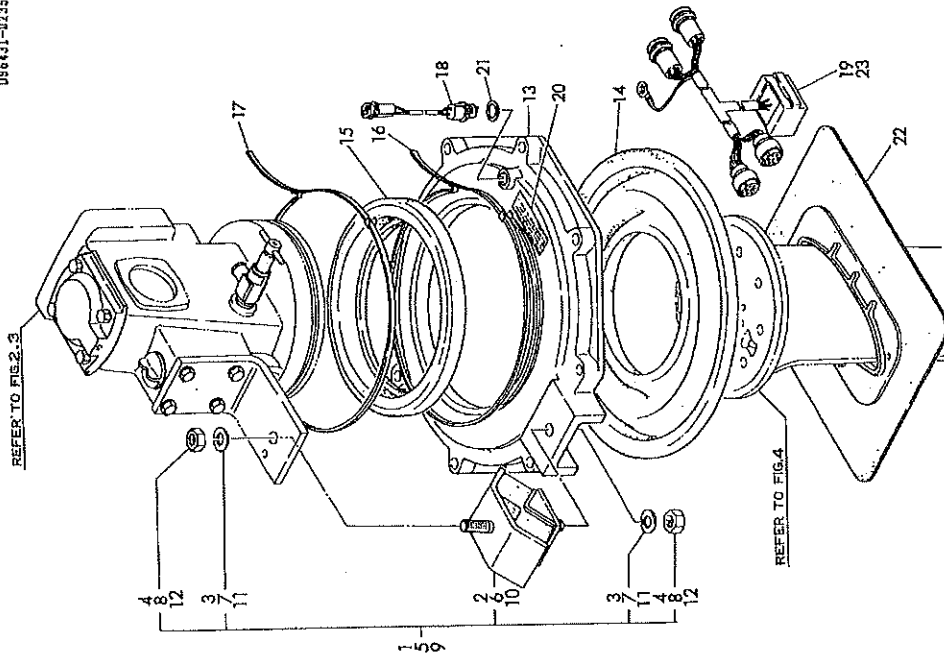
REMARKS
1) INTERCHANGEABLE BY SIMULTANEOUS REPLACEMENT WITH FIG2-REF NO.6 AND REF NO.7.
2) OPTIONAL

(A)=SD20
(B)=SD30
(C)=SD31

(D)=
(E)=
(F)=

SPEC. CODE
D56420-02703
D56420-02710
D56420-02720
D56420-02730
D56420-02740
D56420-02750
D56431-02810

Fig. 5 ボウシゴム&シールフランジ
RUBBER MOUNT & SEAL FLANGE



No.	Qty	Lev.	Parts No.	Description	(A)	(B)	(C)	(D)	(E)	(F)	I	R
1	1		796420-08610	ABSORBER ASSY, SHOCK	1							1
2	2		121575-08340	ABSORBER	1							
3	2		22217-120000	WASHER, SPRING 12	2							
4	2		26716-120002	NUT, M12	2							R
4-1	2		26706-120002	NUT, M12 (A=*1992.11)	2							
5	1		796420-08620	ABSORBER ASSY, SHOCK	1							2
6	2		129795-08340	ABSORBER, 150	1							
7	2		22217-120000	WASHER, SPRING 12	2							
8	2		26716-120002	NUT, M12	2							R
8-1	2		26706-120002	NUT, M12 (A=*1992.11)	2							
9	1		796420-08630	ABSORBER ASSY, SHOCK	1							3
10	2		196420-02310	ABSORBER, SHOCK 230	1							
11	2		22217-120000	WASHER, SPRING 12	2							
12	2		26716-120002	NUT, M12	2							R
12-1	2		26706-120002	NUT, M12 (A=*1992.11)	2							
13	1		196420-02700	FLANGE, SEAL (B=*1992.11)	1							
14	1		196420-02710	DIAPHRAGM	1							
15	1		196420-02720	DIAPHRAGM	1							
16	1		196420-02730	BAND, 199	1							
17	1		196420-02740	BAND, 236	1							
18	1		196420-02801	SENSOR, SEAL	1							
19	1		196420-02811	AMP, SENSOR	1							
20	1		196420-02820	LABEL	1							
21	1		23418-140000	GASKET, 14X1.0	1							
22	1		196420-02550	RUBBER, PROTECTION	1							
23	1		196431-02810	AMP, SENSOR	1							

Remarks
1)FOR 1GM
2)FOR 2GM
3)FOR 3GM(ONLY SD20)

0CF10-M40201

Fig.6.SHIFT LEVER(PREVIOUS)

Fig.6 シフトレバー (キユウガタ)
SHIFT LEVER (PREVIOUS)

No.	Lev.	Parts No.	Description	(A)	(B)	(C)	(D)	(E)	(F)	QTY	I	R
1	1	196420-06050	SUPPORT ASSY, LEVER	1	1							
4	2	22312-04080	PIN, PARALLEL M4X 8	2	2							
5	1	196420-06080	CLAMP	1	1							
6	1	177088-06090	CONNECTOR ASSY	1								
6-1	1	196430-06600 (A=DXXX)	JOINT ASSY, SPRING	1	1							N
7	2	177088-06120	CONNECTOR	1	1							
8	2	177088-06170	SPRING	1								
8-1	2	196430-06610	SPRING	1	1							N
9	2	177088-06140	RETAINER, SPRING	2	2							
10	2	177088-06150	CIRCLIP	1	1							
11	2	177088-06160	CIRCLIP	1	1							
12	2	177088-06110	HOLDER	1	1							
13	2	177088-06100	CONNECTOR	1	1							
14	2	22117-06000	WASHER, 6	2	2							
15	2	26756-06002	NUT, LOCK M6	1	1							
16	1	196420-06090	WASHER	1	1							
17	1	196420-06100	LABEL LEVER POSITION	1	1							
18	1	196420-06110	SHAFT, CONTROL	1	1							
19	1	196420-06120	PIN, KNOCK	1	1							
20	1	196420-06140	SEAL TC25506, OIL	1	1							
21	1	196420-06200	LEVER, SHIFT	1	1							
22	1	189060-26760	SPRING	2	2							
23	1	22287-05000	WASHER, 5	2	2							
24	1	22287-06000	WASHER, 6	2	2							
25	1	24190-08001	BALL, STEEL 1/4	1	1							
26	1	26450-060142	BOLT, M6X 14	2	2							Q
26-1	1	26450-060162 (A=DXXX)	BOLT, M6X 16	2	2							
27	1	26557-050162	SCREW, M5X16	2	2							
28	1	26911-100102	SCREW, M10X10	1	1							
29	1	196420-06161	SHAFT, BEARING	1	1							
30	1	196420-06170	BEARING, 609	1	1							
31	1	22287-06000	WASHER, 6	2	2							
32	1	24321-000550	O-RING, 1AG55.0	1	1							
33	1	26116-060202	BOLT, M6X 20 PLATED	2	2							
33-1	1	26016-060202 (A=DXXX)	BOLT, M6X 20	2	2							R
34	1	26116-060352	BOLT, M6X 35 PLATED	2	2							

N:Old ^{Yes}/_{No} New, Q:Old ^{Yes}/_{No} New, R:Old ^{Yes}/_{No} New, S:Old ^{Yes}/_{No} New, W:Add, Z:Discontinued, F:Interchangeable by set, K:Qty Change
Copyright (C) YANMAR CO., LTD. All Rights Reserved.

Fig.7.SHIFT LEVER(NEW)

図号: 4010P4021-1
 発効年月: 1994. 9
 REVISED: STD., 1994.

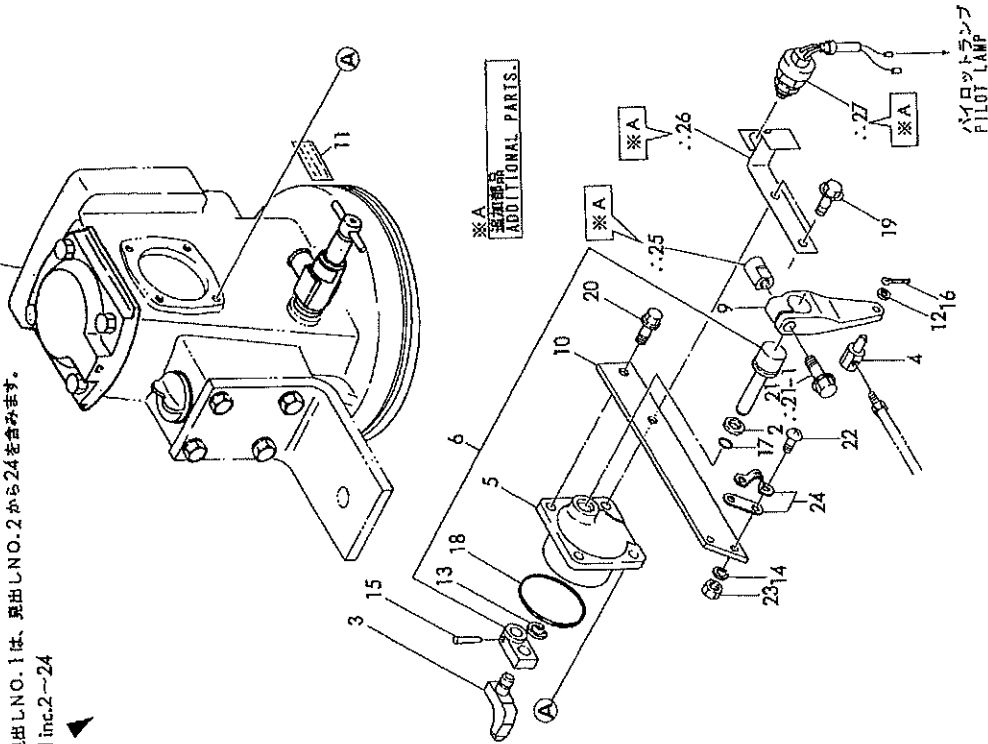
Fig.7 シフトレバー (シンガタ)
 SHIFT LEVER (NEW)

SPEC. CODE
 D98420-06251
 D98420-06270

SD20: FROM D/ #2129 (1986. 02)
 SD20B: FROM D/ #0014 (1986. 02)
 SD30: FROM D/ #0107 (1986. 02)

異出しNO. 1は、異出しNO. 2から24を含みます。
 1 inc.2~24

REFER TO FIG.2,3



OCF10-M40201 7.SHIFT LEVER(NEW)

(A)=SD20
 (B)=SD30
 (C)=SD31

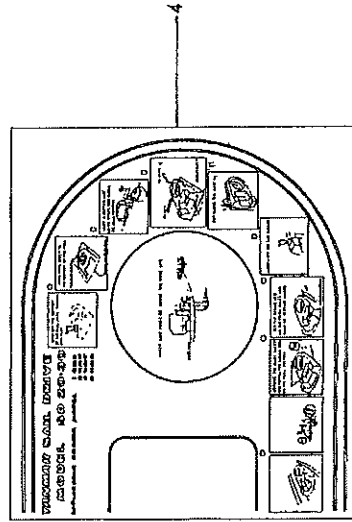
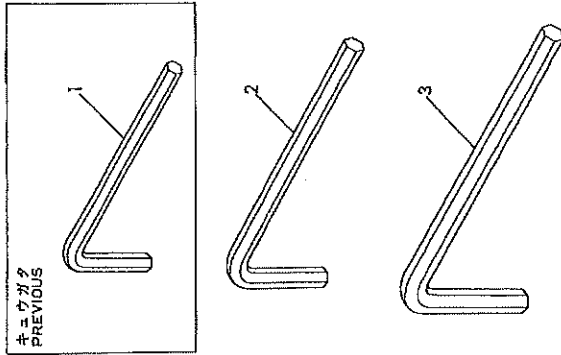
(D)=
 (E)=
 (F)=

No.	Lev.	Parts No.	Description	(A)	(B)	(C)	(D)	(E)	(F)	QTY	I	R
1		796420-06281	LEVER ASSY, SHIFT	1	1	1				1		
2		196311-03300	WASHER, THRUST	1	1	1				1		
3		196311-06080	SHIFTER	1	1	1				1		
4		177073-06200	PIVOT	1	1	1				1		
5		196420-06250	SUPPORT, LEVER	1	1	1				1		
6		196420-06250	SHAFT ASSY, SHIFT	1	1	1				1		
9		196420-06280	LEVER, SHIFT	1	1	1				1		
10		196420-06290	BRACKET, CABLE	1	1	1				1		
11		196420-06300	LABEL	1	1	1				1		
12		22137-06000	WASHER, 6	1	1	1				1		
13		22242-000100	RING, 10	1	1	1				1		
14		22287-05000	WASHER, 5	2	2	2				2		
15		22301-040250	PIN, TAPER 4X25	1	1	1				1		
16		22417-160120	PIN, COTTER 1.6X12	1	1	1				1		
17		24311-000100	O-RING, 1AP10.0	1	1	1				1		
18		24921-000550	O-RING, 1AG55.0	1	1	1				1		
19		26106-060182	BOLT, M6X 18 PLATED	2	2	2				2		
20		26106-060222	BOLT, M6X 22 PLATED	2	2	2				2		
21		26106-080252	BOLT, M8X 25 PLATED	1	1	1				1		
21-1		26106-080302 (A=*1994.04) (B=*1994.04) (C=*1994.04)	BOLT, M8X 30 PLATED	1	1	1				1		N
22		26557-050162	SCREW, M5X16	2	2	2				2		
23		26716-050002	NUT, M5	2	2	2				2		
24		41710-000410	CLAMP	1	1	1				1		
25		196420-06400 (A=*1994.04) (B=*1994.04) (C=*1994.04)	SETTING SWITCH	1	1	1				1		
26		196420-06410 (A=*1994.04) (B=*1994.04) (C=*1994.04)	BRACKET, SWITCH	1	1	1				1		W
27		120270-77101 (A=*1994.04) (B=*1994.04) (C=*1994.04)	SWITCH, SAFETY	1	1	1				1		W

※印が今回変更 (追加) した箇所です。
 ※: MARKED PART HAS BEEN CHANGED (ADDED).

SPEC. CODE
D86421-32012

Fig. 8 コウガ
TOOL



No.	Lev.	Parts No.	Description	(A)	(B)	(C)	(D)	(E)	(F)	I	R
1	1	28150-050000 (A=DXXX)	WRENCH, BAR 5 (B=DXXX)	1	1					Z	
2	1	28150-060000	WRENCH, BAR 6	1	1	1					
3	1	28150-080000	WRENCH, BAR 8	1	1	1					
4	1	196420-92010 (A=DXXX)	SHEET, MARK (B=DXXX)	1	1	1				W	

(A)=SD20
(B)=SD30
(C)=SD31

(D)=
(E)=
(F)=

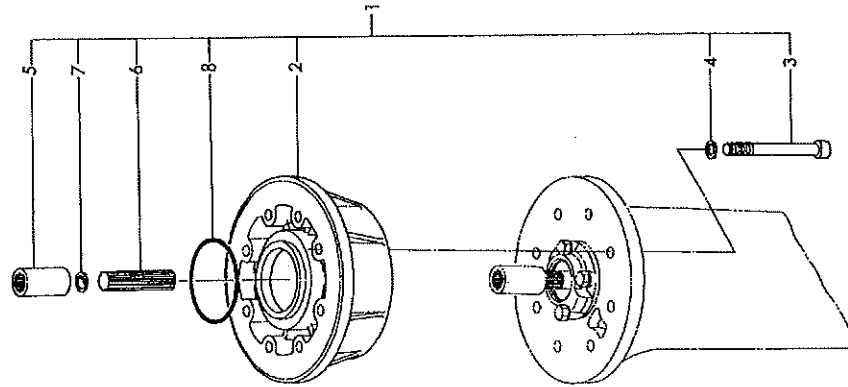
QTY

(A) (B) (C) (D) (E) (F) I R Z

Fig.9.EXTENSION 80(OPTIONAL)

SPEC. CODE
036420-02400

Fig.9 エクステンション80 (オプション)
EXTENSION 80(OPTIONAL)



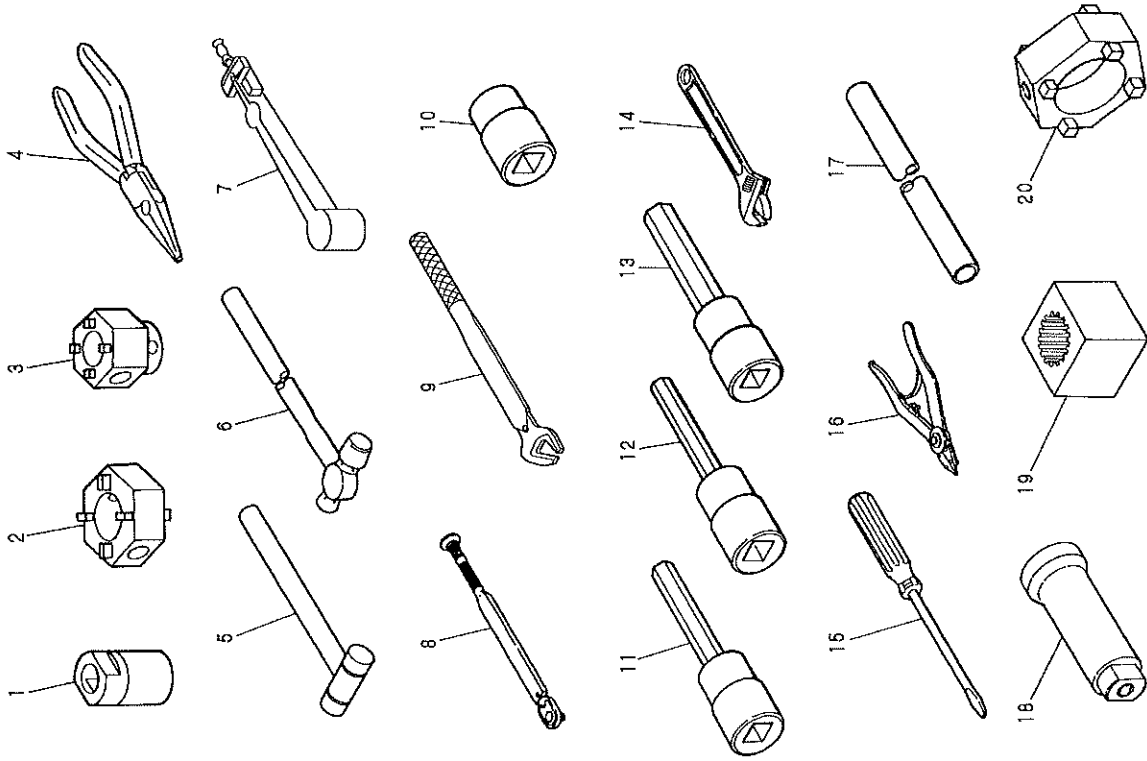
(A)=SD20
(B)=SD30
(C)=SD31

(D)=
(E)=
(F)=

No.	Lev.	Parts No.	Description	QTY					
				(A)	(B)	(C)	(D)	(E)	(F)
1	1	796420-02400	EXTENSION ASSY, 80	1	1	1			
2	2	196420-02850	EXTENSION, 80	1	1	1			
3	2	196420-02860	BOLT, M10X105	8	8	8			
4	2	22113-100000	WASHER, 10	8	8	8			
5	2	196311-04450	SLEEVE, SPLINE	1	1	1			
6	2	196420-04400	SHAFT, SPLINE.80	1	1	1			
7	2	22252-000160	RING, 16	1	1	1			
8	2	24321-000750	O-RING, 1AG75.0	2	2	2			

Fig.10.SPECIAL TOOL(A)(OPTIONAL)

P/C NEWS No.:Y00F-4021-2
PUBLISHED:2004/4



0CF10-M40201 10.SPECIAL TOOL(A)(OPTIONAL)

(A)=SD20
(B)=SD30
(C)=SD31

(D)=
(E)=
(F)=

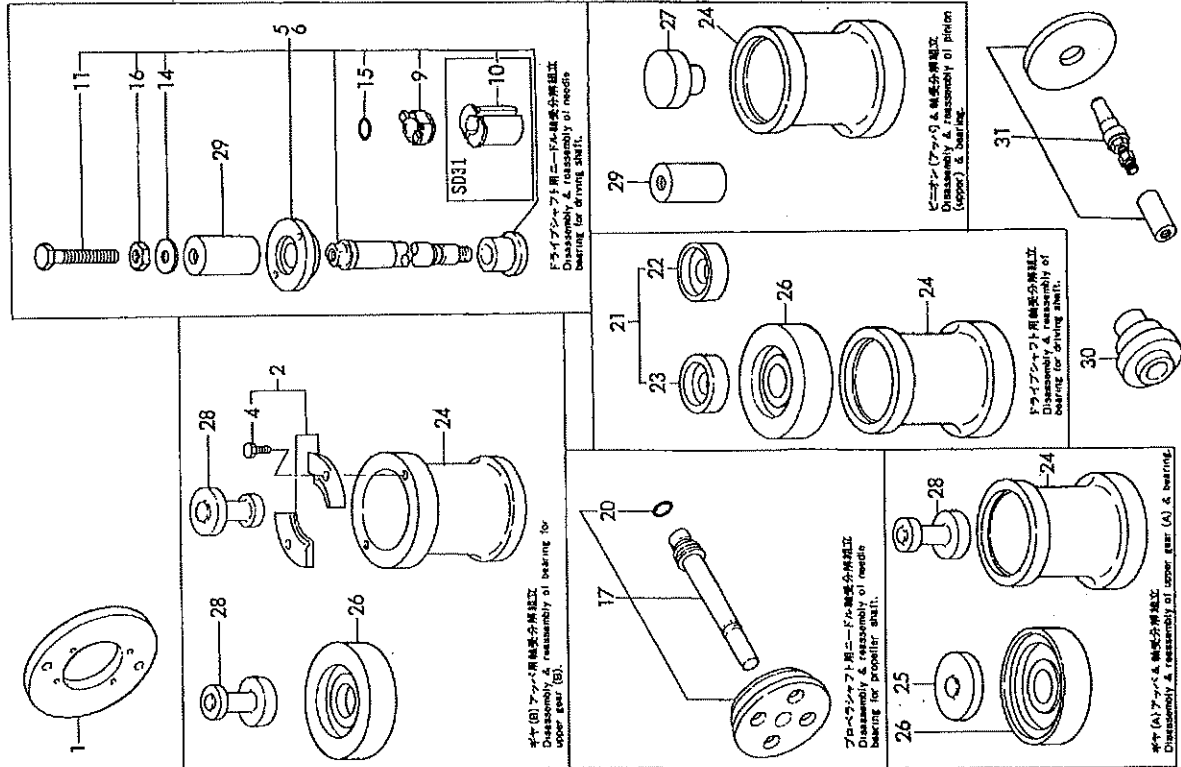
No.	Lev.	Parts No.	Description	(A)	(B)	(C)	(D)	(E)	(F)	QTY	I	R
1		196311-92010	TOOL, SPLINE SOCKET	1	1	1				1		
2		196311-92020	TOOL, BEARING NUT	1	1	1				1		
3		196311-92030	TOOL, BEARING NUT	1	1	1				1		
4		196311-92300	WRENCH	1	1	1				1		
5		196311-92320	HAMMER, PLASTIC 0.3KG	1	1	1				1		
6		196311-92330	HAMMER, 1 POUND	1	1	1				1		
7		196311-92350	WRENCH, TORQUE	1	1	1				1		
8		196311-92360	WRENCH, TORQUE	1	1	1				1		
9		196311-92370	WRENCH, TORQUE 10	1	1	1				1		
10		196311-92400	SOCKET, 13	1	1	1				1		
11		196311-92420	SOCKET, 6	1	1	1				1		
12		196420-92430	SPANNER, SOCKET 5	1	1	1				1		
13		196420-92440	SPANNER, SOCKET 8	1	1	1				1		
14		28120-002000	WRENCH, 200	1	1	1				1		
15		28130-081500	DRIVER, REVERSIBLE	1	1	1				1		
16		28190-000020	PLIERS, CIRCLIP	1	1	1				1		
17		28230-120200	HANDLE, TURN 12X200	2	2	2				2		
18		196320-92100	TOOL, BEARING 30N	1	1	1				1		W
		(A=DXXX) (B=DXXX) (C=DXXX)										
19		196320-92130	SOCKET, SPLINE 28	1	1	1				1		W
		(A=DXXX) (B=DXXX) (C=DXXX)										
20		196313-92030	TOOL, BEARING 30X35N	1	1	1				1		W 1
		(A=2001.02) (B=2001.02) (C=D##05923)										

Remarks
(1)FOR FIG.4 NO.45-1 196313-04500 NIUT

Fig.11.SPECIAL TOOL(B)(OPTIONAL)

Fig. 11 トクシュコウグ (B) (オプション)
SPECIAL TOOL (B) (OPTIONAL)

SPEC. CODE
D86420-92170
D86431-92170



OCF10-M40201 11.SPECIAL TOOL(B)(OPTIONAL)

(A)=SD20
(B)=SD30
(C)=SD31

No.	Lev.	Parts No.	Description	(A)	(B)	(C)	(D)	(E)	(F)	QTY	I	R
1	1	196420-92040	TOOL, 70/148	1	1	1				1		
2	1	196420-92140	TOOL, B5207	1	1	1				1		
4	2	26116-080162	BOLT, M8X 16 PLATED	2	2	2				2		
5	1	196420-92150	TOOL ASSY, NB32X45	1	1	1				1		
6	1	196431-92150	TOOL ASSY, NB40X52							1		
9	2	196420-92680	TOOL, NB32X45	1	1	1				1		
10	2	196431-92680	TOOL, NB40X44							1		
11	2	196320-92700	BOLT, M12X100	1	1	1				1		
14	2	22131-120000	WASHER 12	1	1	1				1		
15	2	24311-000160	O-RING, 1AP16.0	1	1	1				1		
16	2	26711-120002	NUT, M12	1	1	1				1		
17	1	196420-92160	TOOL, NB22X30	1	1	1				1		
20	2	24311-000180	O-RING, 1AP18.0	1	1	1				1		
21	1	196420-92170	TOOL ASSY, B5204	1	1	1				1		
22	2	196311-92580	TOOL, BUILD-UP B52	1	1	1				1		
23	2	196311-92590	TOOL, BUILD-UP B47	1	1	1				1		
24	1	196420-92510	STAND, CONSTRUCT	1	1	1				1		
25	1	196420-92550	TOOL, 35X70	1	1	1				1		
26	1	196420-92560	TOOL, B73/88	1	1	1				1		
27	1	196311-92600	TOOL, BUILD-UP 30X62	1	1	1				1		
28	1	196311-92690	TOOL, 32X52	1	1	1				1		
29	1	196420-92690	TOOL, 30/36	1	1	1				1		
30	1	196420-92860	TOOL, OS 35X40	1	1	1				1		
31	1	196313-92660	TOOL KIT, PILLAR	1	1	1				1		

(A)=1992.12 (B)=1992.12

0CF10-M40201

Fig.12.MEASUREMENT TOOL(OPTIONAL)

Fig. 12 ケイソウコウダ (オプション)
MEASUREMENT TOOL (OPTIONAL)

SPEC. CODE
096420-92220

The diagram shows an exploded view of a measurement tool set. Part 1 is the main assembly, which includes a base (part 4), a vertical rod (part 3), and a horizontal indicator arm (part 2). Part 5 is a separate L-shaped bracket. Part 6 is a cylindrical container. Part 7 is a micrometer. The parts are arranged in a perspective view, showing their relative positions and how they fit together.

0CF10-M40201 12.MEASUREMENT TOOL(OPTIONAL)

(A)=SD20
(B)=SD30
(C)=SD31
(D)=
(E)=
(F)=

No.	Lev.	Parts No.	Description	QTY					
				(A)	(B)	(C)	(D)	(E)	(F)
1	1	196420-92220	TOOL, INDICATOR SET	1	1	1	1		
2	2	196311-92230	TOOL, INDICATOR SET	1	1	1	1		
3	2	196420-92240	BRACKET	1	1	1	1		
4	2	196420-92250	TOOL, MAGNET STAND	1	1	1	1		
5	2	196420-92260	BRACKET	1	1	1	1		
6	2	196420-92270	RETAINER	1	1	1	1		
7	1	196311-92460	MICROMETER	1	1	1	1		

N:Old $\frac{YES}{NO}$ New, Q:Old $\frac{NO}{YES}$ New, R:Old $\frac{YES}{NO}$ New, S:Old $\frac{NO}{YES}$ New, W:Add, Z:Discontinued, F:Interchangeable by set, K:Qty Change
Copyright (C) YANMAR CO., LTD. All Rights Reserved.