



Spare parts catalog- Yanmar engines

(A) = SD40

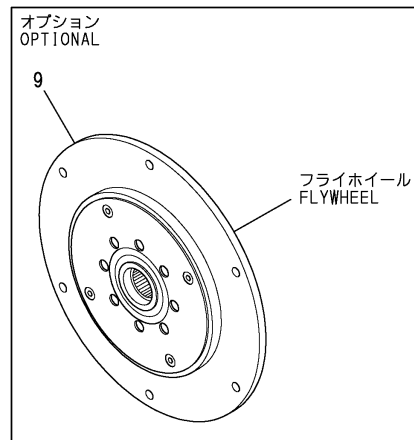
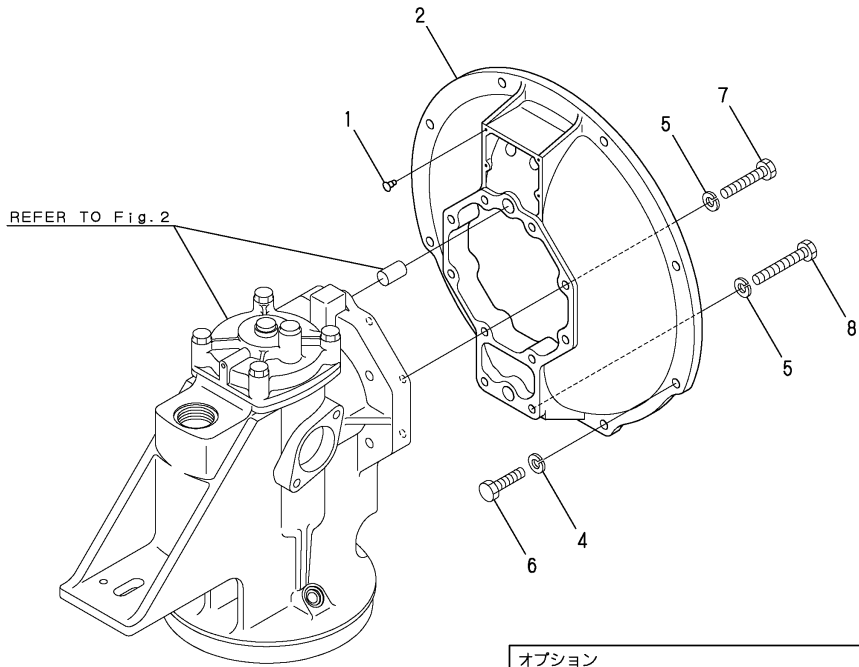
(B) = SD40-4T

(C) = SD50

(D) = SD50-4T

Fig.1.MOUNTING FLANGE

P/C NEWS No:Y00F5762-1
PUBLISHED:2005/2



Y00F5762 1.MOUNTING FLANGE

(A)=SD40
(B)=SD40-4T
(C)=SD50

(D)=SD50-4T
(E)=
(F)=

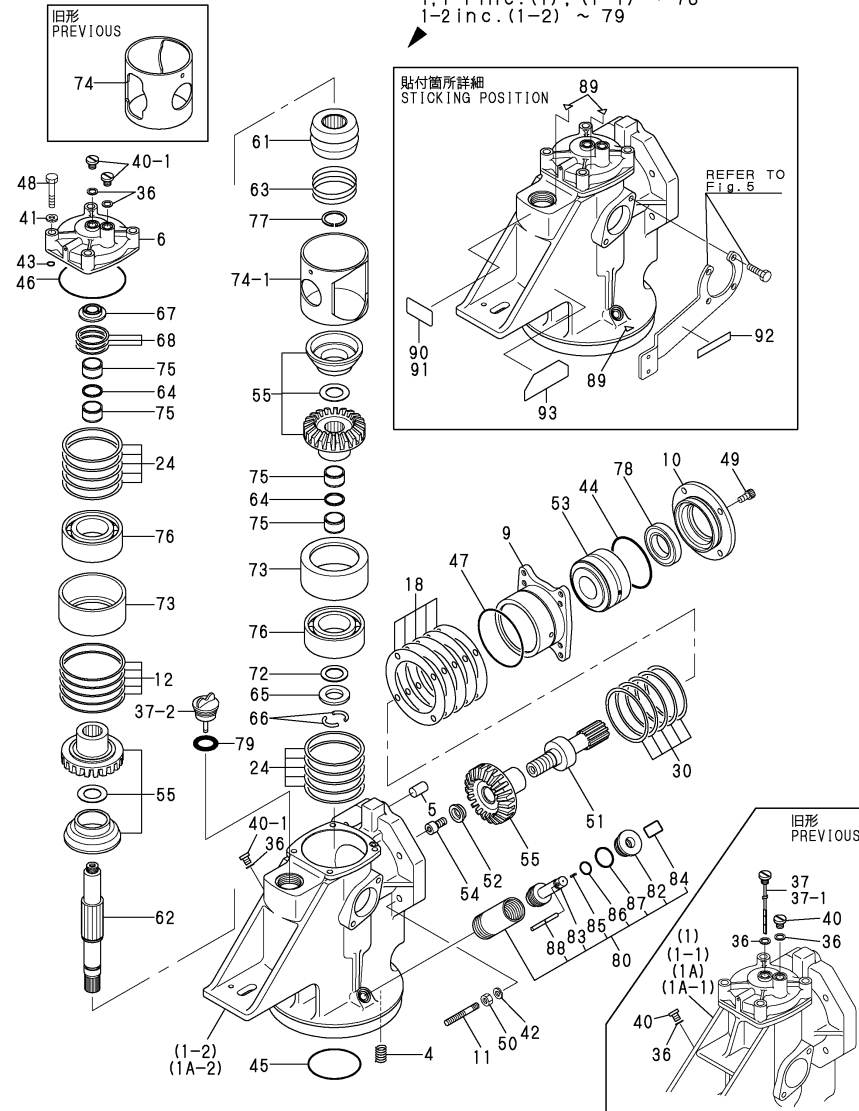
REF.	LEV.	PARTS NO.	DESCRIPTION	Q'TY						I	R
				(A)	(B)	(C)	(D)	(E)	(F)		
1	1	196311-02060	RIVET 2X5	4	4	4	4				
2	1	196440-02110	MOUNTING FLANGE #5	1		1					
2A	1	196440-02130	MOUNTING FLANGE #4		1		1				
4	1	22217-080000	SPRING WASHER 8	8		8					
4A	1	22217-100000	SPRING WASHER 10		8			8			
5	1	22217-080000	SPRING WASHER 8	10	10	10	10				
6	1	26206-080302	BOLT M8X30	8							
I 6-1	1	26206-080202	BOLT M8X20	8		8					N
			(A=*2001.02)								
6A	1	26206-100302	BOLT M10X30		8		8				
7	1	26206-080402	BOLT M8X40	8	8	8	8				
8	1	26206-080502	BOLT M 8X 50 PLATED	2	2	2	2				
I 9	1	196440-04300	TORFLEX250(SP26)			1		1			W
			(B=*2004.03)								
I 9A	1	196440-04310	TORFLEX250(SP10)			1		1			W
			(A=*2004.03)								

Fig.2.UPPER GEAR HOUSING

(A)=SD40
(B)=SD40-4T
(C)=SD50

(D)=SD50-4T
(E)=
(F)=

P/C NEWS No:Y00F5762-1
PUBLISHED: 2005/2



Remarks
(1)INTERCHANGEABLE BY SIMULTANEOUS
REPLACEMENT WITH FIG.3 NO.1-2,
OR NO.36-1.
THIS DESIGN CHANGE IS NOT APPLIED
TO DRIVE NO.0109-04 AND T109-04.

REF.	LEV.	PARTS NO.	DESCRIPTION	QTY						I	R
				(A)	(B)	(C)	(D)	(E)	(F)		
1	1	796440-02900	HOUSING ASSY, GEARS	1							
I 1-1	1	796440-02901	HOUSING ASSY, GEARS	1							S 1
(A=D#0022-04)											
I 1-2	1	796440-02902	HOUSING ASSY, GEARS	1	1						N
(A=*2004.02)											
1A	1	796440-02940	HOUSING ASSY, GEARS		1						
1A-1	1	796440-02941	HOUSING ASSY, GEARS		1						S 1
(B=D#T022-04)											
I 1A-2	1	796440-02942	HOUSING ASSY, GEARS		1	1					N
(B=*2004.02)											
4	3	196420-02050	INSEAT, LOCK	8	8	8	8				
5	2	177099-02130	STRAIGHT PIN	2	2	2	2				
6	2	196440-02140	UPPER COVER CMP	1	1	1	1				
9	2	196440-02160	HOUSING,BEARING	1	1	1	1				
10	2	196440-02170	CASE,SEAL	1	1	1	1				
11	2	196440-02180	STUD BOLT	4	4	4	4				
12	2	196320-02230	SHIM SET	1	1	1	1				
18	2	196440-02250	SHIM SET 81/118	1	1	1	1				
24	2	196322-02320	SHIM SET 75/85	2	2	2	2				
30	2	196440-02320	SHIM SET 100*120	1	1	1	1				
36	2	189010-01130	GASKET	3	3	3	3				
37	2	196326-02410	DIPSTICK	1	1						
I 37-1	2	196440-02410	DIPSTICK	1	1						N
(A=*2003.09) (B=*2003.09)											
I 37-2	2	196420-02350	CAP W/DIPSTICK	1	1	1	1				S
(A=*2004.02) (B=*2004.02)											
40	2	196326-02420	PLUG	2	2						
I 40-1	2	196326-02420	PLUG	3	3	3	3				K
(A=*2004.02) (B=*2004.02)											
41	2	22217-080000	SPRING WASHER 8	4	4	4	4				
42	2	22217-080000	SPRING WASHER 8	4	4	4	4				
43	2	24311-000090	O-RING 1A P-9.0	1	1	1	1				
44	2	24321-000750	O-RING 1A G-75.0	1	1	1	1				
45	2	24321-000800	O-RING 1A G-80.0	1	1	1	1				
46	2	24321-000950	O-RING 1A G-95.0	1	1	1	1				
47	2	24341-000850	O-RING 1A S-85.0	1	1	1	1				
48	2	26206-080452	BOLT M 8X 45 PLATED	4	4	4	4				
49	2	26450-080162	BOLT M 8X 16	4	4	4	4				
50	2	26716-080002	NUT M 8	4	4	4	4				
51	2	196440-04130	SHAFT,PINION #5	1	1						
51A	2	196440-04150	SHAFT,PINION #4		1		1				
52	2	196322-04240	WASHER	1	1	1	1				
53	2	196322-04781	BEARING	1	1	1	1				
54	2	196322-04940	BOLT	1	1	1	1				
55	2	196322-04152	GEAR SET	1	1	1	1				
61	2	196326-04250	DRIVE CON	1	1	1	1				
62	2	196322-04301	SHAFT,CLUTCH	1	1	1	1				
63	2	196322-04321	SPRING	1	1	1	1				
64	2	196322-04340	COLLAR	2	2	2	2				
65	2	196322-04361	COLLER, THRUST	1	1	1	1				
66	2	196322-04370	RING	2	2	2	2				
67	2	196324-04380	NUT M16 LEFT-HAND	1	1	1	1				
68	2	196320-04400	COLLAR SET, THRUST	1	1	1	1				
72	2	196320-04410	WASHER, THRUST	1	1	1	1				

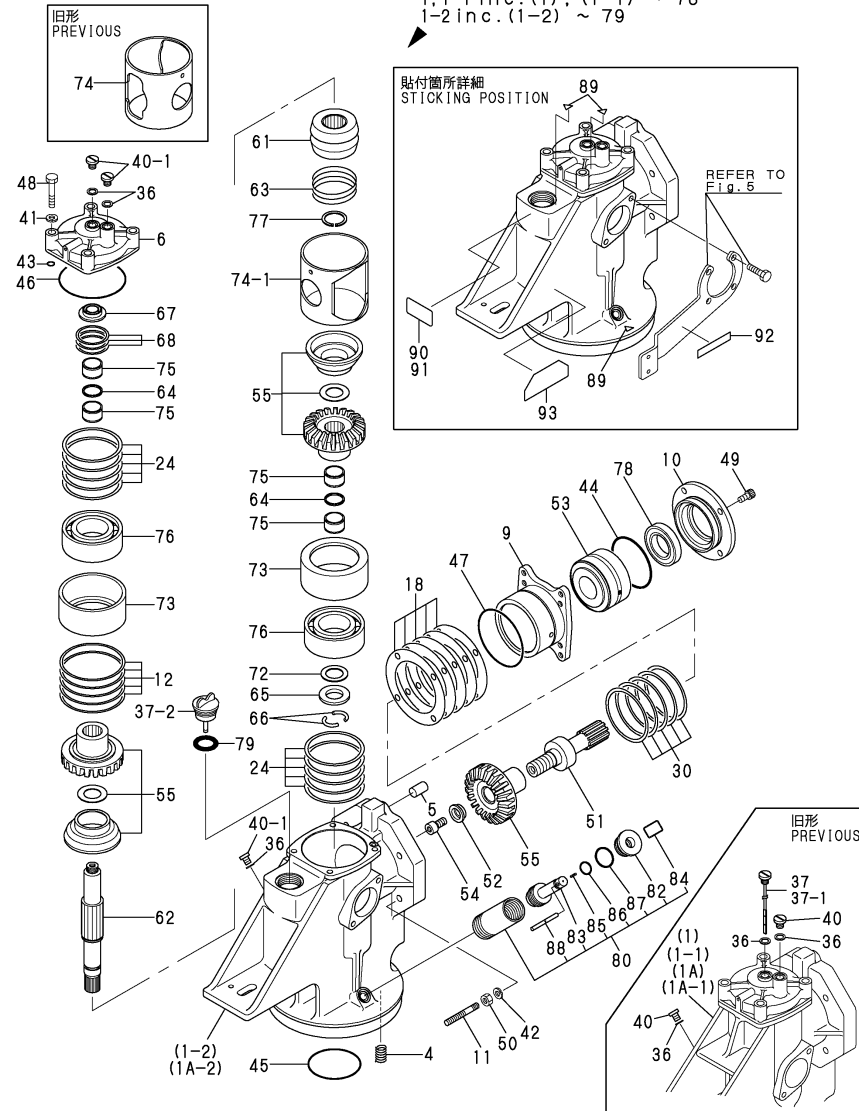
++ CONTINUE ++

Fig.2.UPPER GEAR HOUSING

(A)=SD40
(B)=SD40-4T
(C)=SD50

(D)=SD50-4T
(E)=
(F)=

P/C NEWS No:Y00F5762-1
PUBLISHED:2005/2



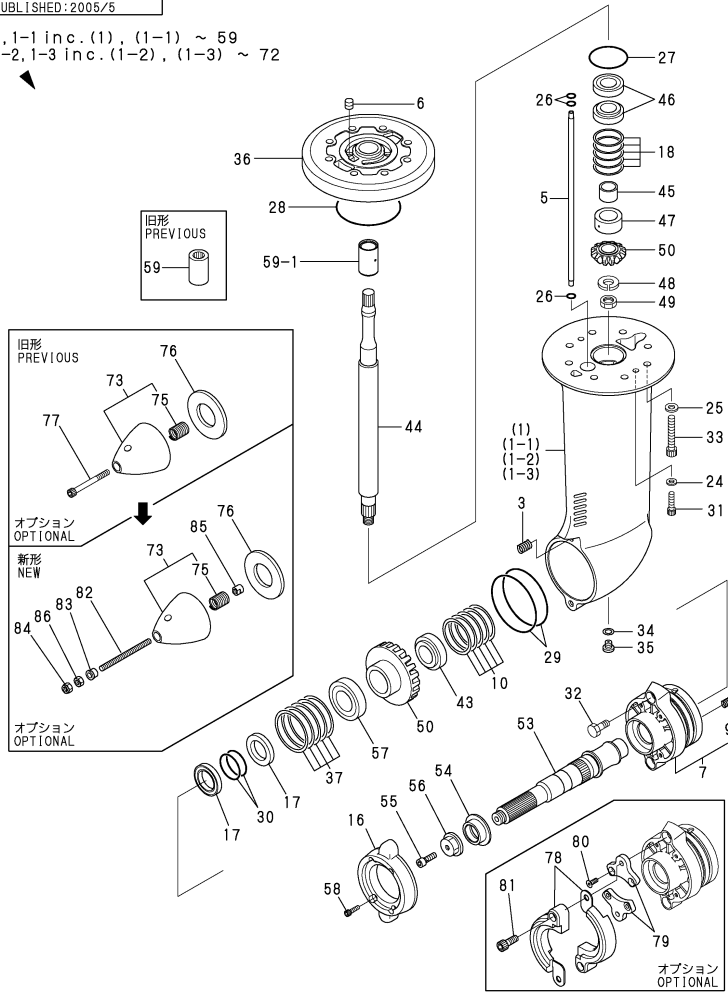
REF.	LEV.	PARTS NO.	DESCRIPTION	QTY						I	R
				(A)	(B)	(C)	(D)	(E)	(F)		
73	2	196324-04480	SLEEVE, BEARING	2	2	2	2				
74	2	196324-04490	SPACER, BEARING	1	1						
I 74-1	2	196440-04490	SPACER, BEARING	1	1	1	1				N
		(A=*2003.07) (B=D/#T5228)									
75	2	196322-04731	NEEDLE K242817, BER.	4	4	4	4				
76	2	196322-04760	BEARING	2	2	2	2				
77	2	22292-000300	CIRCLIP S-30	1	1	1	1				
78	2	24413-456209	SEAL SC45 62 09, OIL	1	1	1	1				W
		(A=FROM 1ST)									
I 79	2	24311-000320	O-RING 1A P-32.0	1	1	1	1				W
		(A=*2004.02) (B=*2004.02)									
80	1	196431-02390	COCK ASSY, C.WATER	1	1	1	1				
I 80-1	1	196450-02390	COCK ASSY, WATER 25	1	1	1	1				N
		(A=XXXXXXXX) (B=XXXXXXXX) (C=XXXXXXXX) (D=XXXXXXXX)									
82	2	196431-02950	GUIDE,CW COCK	1	1	1	1				
83	2	196431-02960	VALVE,CW COCK	1	1	1	1				
84	2	196420-02981	SPRING	1	1	1	1				
85	2	22351-020010	SPRING PIN 2X10	1	1	1	1				
86	2	24311-000150	O-RING 1A P-15.0	1	1	1	1				
87	2	24321-000250	O-RING 1A G-25.0	1	1	1	1				
88	2	196420-02580	HANDLE,CW COCK	1	1	1	1				
89	1	196440-02750	LABEL	3	3	3	3				W
		(A=*1999.12)									
90	1	196440-02760	LABEL	2	2	2	2				W
		(A=*1999.12)									
91	1	196440-02770	LABEL	1							W
		(A=*1999.12)									
I 91-1	1	196440-02771	LABEL, OIL LEVEL	1		1					S
		(A=*2004.04)									
91A	1	196440-02780	LABEL, CAUTION		1						
I 91A-1	1	196440-02781	LABEL, CAUTION		1		1				S
		(B=*2004.04)									
92	1	177073-02431	LABEL	1	1	1	1				W
		(A=*1999.12)									
93	1	196440-02060	LABEL	1	1						W
		(A=*1999.12)									
93A	1	196450-02060	LABEL, NAME			1	1				

Remarks
(1)INTERCHANGEABLE BY SIMULTANEOUS REPLACEMENT WITH FIG.3 NO.1-2, OR NO.36-1.
THIS DESIGN CHANGE IS NOT APPLIED TO DRIVE NO.0109-04 AND T109-04.

Fig.3.LOWER GEAR HOUSING

P/C NEWS No:Y00F5762-3
PUBLISHED:2009/5

1,1-1 inc.(1), (1-1) ~ 59
1-2,1-3 inc.(1-2), (1-3) ~ 72



Remarks
 INTERCHANGEABLE BY SIMULTANEOUS REPLACEMENT WITH FIG.2 NO.1-1/1A-1 THIS DESIGN CHANGE IS NOT APPLIED TO DRIVE NO.0109-04 AND T109-04.
 INTERCHANGEABLE BY SIMULTANEOUS REPLACEMENT WITH FIG.2 NO.1-1/1A-1 AND FIG.3 NO.36-1.
 THIS DESIGN CHANGE IS NOT APPLIED TO DRIVE NO.0109-04 AND T109-04.
 INTERCHANGEABLE BY SIMULTANEOUS REPLACEMENT WITH NO.44-3 AND 50-2.

(A)=SD40
(B)=SD40-4T
(C)=SD50

(D)=SD50-4T
(E)=
(F)=

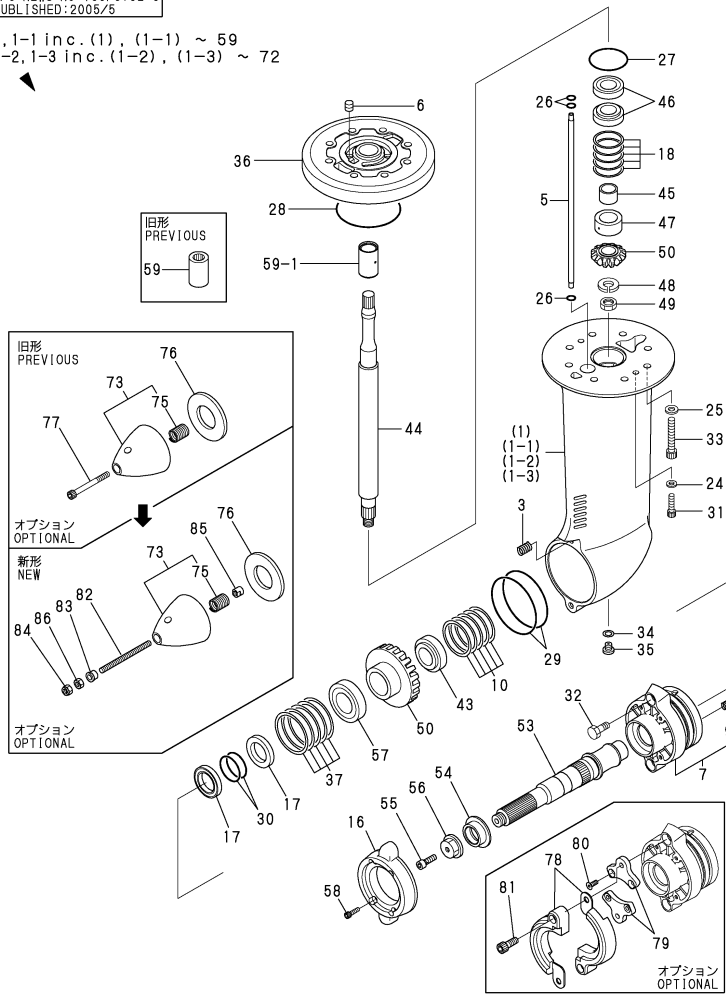
REF.	LEV.	PARTS NO.	DESCRIPTION	QTY						I	R
				(A)	(B)	(C)	(D)	(E)	(F)		
1	1	796440-02910	GEAR CASE ASY(LOWER	1							
1-1	1	796440-02911	GEAR CASE ASY(LOWER	1	1						N
		(A=*2001.01)									
1-2	1	796440-02912	GEAR CASE ASY(LOWER	1	1						S 1
		(A=D#0022-04) (B=D#T022-04)									
1-3	1	796440-02913	GEAR CASE ASY(LOWER	1	1	1	1				N
		(A=*2004.02) (B=*2004.02)									
3	3	196420-02050	INSEAT, LOCK	2	2	2	2				
5	2	196440-02540	PIPE,OIL	1	1	1	1				
6	2	196440-02550	RUBBER PLUG	1	1	1	1				
7	2	196440-02600	REAR COVER CMP	1	1	1	1				
9	3	196420-02620	INSERT, LOCK	4	4	4	4				
10	2	196320-02650	SHIM SET	1	1	1	1				
16	2	196420-02652	ZINC,ANTI-CORROSIVE	1	1	1	1				
17	2	196440-02870	OIL SEAL	2	2	2	2				
18	2	196313-04400	SHIM SET	1	1	1	1				
24	2	22113-080000	WASHER 8	2	2	2	2				
25	2	22113-100000	WASHER 10	8	8	8	8				
26	2	24311-000070	O-RING 1A P-7.0	3	3	3	3				
27	2	24321-000300	O-RING G30	1	1	1	1				
28	2	24321-000500	O-RING 1A G-50.0	1	1						
28-1	2	24321-000550	O-RING 1A G-55.0	1	1	1	1				S
		(A=*2004.02) (B=*2004.02)									
29	2	24321-000950	O-RING 1A G-95.0	2	2	2	2				
30	2	24372-000460	BACK UP RING T2 P	2	2	2	2				
31	2	26453-080302	BOLT M 8X 30	2	2	2	2				
32	2	26453-100252	BOLT 10X25	2	2	2	2				
33	2	26453-100602	BOLT 10* 60	8	8	8	8				
34	2	189010-01130	GASKET	1	1	1	1				
35	2	196326-02420	PLUG	1	1	1	1				
36	2	196440-02240	MIDDLE PLATE	1	1						
36-1	2	196440-02241	MIDDLE PLATE	1	1						S 1
		(A=D#0022-04) (B=D#T022-04)									
36-2	2	196440-02242	DISC, MIDDLE	1	1	1	1				S
		(A=*2004.02) (B=*2004.02)									
37	2	196311-02310	SHIM SET	1	1	1	1				
43	2	24141-322060	BEARING,TAPER ROLLER	1	1	1	1				
44	2	196440-04450	SHAFT,DRIVE	1							
44-1	2	196440-04451	SHAFT,DRIVE	1	1						S
		(A=*2001.01)									
44-2	2	196440-04452	SHAFT,DRIVE	1	1						R
		(A=*2002.06) (B=D#T5116)									
44-3	2	196440-04453	SHAFT,DRIVE	1	1	1	1				S 3
		(A=*2004.02) (B=*2004.02)									
45	2	196440-04770	INNER RACE 22*28*20	1							
45-1	2	24163-228230	INNER RACE 228230	1	1	1	1				S
		(A=*2001.01)									
46	2	196440-04780	BEARING 32005X	2	2	2	2				
47	2	196440-04790	NEEDLE BEARING	1							
47-1	2	196440-04760	NEEDLE BEARING	1	1	1	1				S
		(A=*2001.01)									
48	2	196324-04910	WASHER	1	1	1	1				
49	2	26996-140002	LOCK NUT 14	1	1	1	1				
50	2	196440-04800	LOWER GEAR 13/29 SET	1							

++ CONTINUE ++

Fig.3.LOWER GEAR HOUSING

P/C NEWS No:Y00F5762-3
PUBLISHED:2009/5

1,1-1 inc.(1), (1-1) ~ 59
1-2,1-3 inc.(1-2), (1-3) ~ 72



Remarks
 INTERCHANGEABLE BY SIMULTANEOUS REPLACEMENT WITH FIG.2 NO.1-1/1A-1 THIS DESIGN CHANGE IS NOT APPLIED TO DRIVE NO.0109-04 AND T109-04.
 INTERCHANGEABLE BY SIMULTANEOUS REPLACEMENT WITH FIG.2 NO.1-1/1A-1 AND FIG.3 NO.36-1. THIS DESIGN CHANGE IS NOT APPLIED TO DRIVE NO.0109-04 AND T109-04.
 INTERCHANGEABLE BY SIMULTANEOUS REPLACEMENT WITH NO.44-3 AND 50-2.

(A)=SD40
(B)=SD40-4T
(C)=SD50

(D)=SD50-4T
(E)=
(F)=

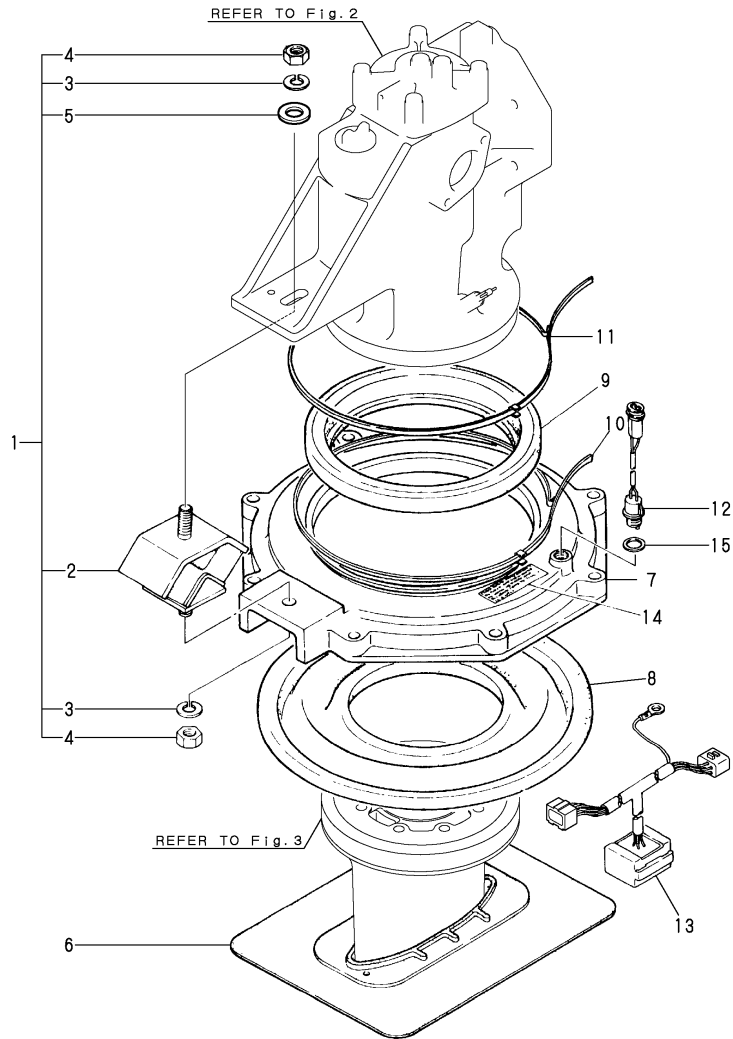
REF.	LEV.	PARTS NO.	DESCRIPTION	QTY						I	R
				(A)	(B)	(C)	(D)	(E)	(F)		
50-1	2	196440-04801 (A=*2001.01)	LOWER GEAR 13/29 SET	1	1						N
50-2	2	196440-04802 (A=*2004.02) (B=*2004.02)	LOWER GEAR 13/29 SET	1	1	1	1				S 3
53	2	196440-04510	SHAFT, PROPELLER	1							
53-1	2	196440-04511 (A=*2000.09)	SHAFT, PROPELLER	1	1						N
53-2	2	196440-04512 (A=*2001.12) (B=D/#T5006)	SHAFT, PROPELLER	1	1						N
53-3	2	196440-04513 (A=*2002.06) (B=D/#T5116)	SHAFT, PROPELLER	1	1	1	1				R
54	2	196324-09250	SPACER	1	1	1	1				
55	2	196420-09260	BOLT M8X25	1	1	1	1				
56	2	196440-09300	NUT, PROPELLER	1	1	1	1				
57	2	24141-302070	ROLLER BEARING	1	1	1	1				
58	2	26453-060202 (A=FROM 1ST) (B=FROM 1ST)	BOLT 6X20	4	4	4	4				W
59	2	196324-04450	SLEEVE	1	1						
I 59-1	2	196440-04540 (A=D#0022-04) (B=D#T022-04)	TORQUE LIMITER ASSY	1	1	1	1				S 2
73	1	196440-09200 (A=*2001.01)	NUT ASSY, PROPELLER	1	1	1	1				W
75	2	196440-09220 (A=*2001.01)	INSERT 20X2.0X1.0D	1	1	1	1				W
76	1	196420-09220 (A=*2001.01)	WASHER, PROPELLER	1	1	1	1				W
77	1	26453-080752 (A=*2001.01)	BOLT M 8X 75	1	1						W
77-1	1	196440-09260 (A=*2003.07) (B=D/#T5228)	BOLT M8X75	1	1						N
77-2	1	196440-09260 (A=*2004.11) (B=*2004.11)	BOLT M8X75	1	1						Z
78	1	196440-02660 (A=*2003.06) (B=D/#T5199)	SEPARATE ANODE	2	2	2	2				W
79	1	196440-02690 (A=*2003.06) (B=D/#T5199)	PLATE, SEPARATE ANODE	2	2	2	2				W
80	1	196440-02700 (A=*2003.06) (B=D/#T5199)	FLAT HEAD BOLT M6X16	4	4	4	4				W
81	1	26453-080202 (A=*2003.06) (B=D/#T5199)	BOLT M 8X 20	2	2	2	2				W
82	1	196440-09150 (A=*2004.11) (B=*2004.11)	BOLT M8X105	1	1	1	1				W
83	1	196440-09160 (A=*2004.11) (B=*2004.11)	SPACER	1	1	1	1				W
84	1	196440-09170 (A=*2004.11) (B=*2004.11)	NYLON NUT	1	1	1	1				W
85	1	196440-09180 (A=*2004.11) (B=*2004.11)	NUT M8	1	1	1	1				W
86	1	26793-080002 (A=*2004.11) (B=*2004.11)	LOCK NUT M 8	1	1	1	1				W

Fig.4.RUBBER MOUNT & SEAL FLANGE

(A)=SD40
(B)=SD40-4T
(C)=SD50

(D)=SD50-4T
(E)=
(F)=

P/C NEWS No:Y00F5762-1
PUBLISHED:2005/2



REF.	LEV.	PARTS NO.	DESCRIPTION	QTY						I	R	
				(A)	(B)	(C)	(D)	(E)	(F)			
1	1	796420-08630	ABSORBER ASSY, SHOCK	1	1						1	
1A	1	796440-08630	RUBBER ASSY,CUSHION	1	1	1	1					2
2	2	196420-02310	ABSORBER, SHOCK	1	1							1
2A	2	196440-02380	ABSORBER 430	1	1	1	1					2
3	2	22217-120000	SPRING WASHER 12	2	2	2	2					
4	2	26716-120002	NUT 12	2	2	2	2					
I	5	2	196440-02390	WASHER	1	1	1	1				W
		(A=*2004.03)	(B=*2004.03)									
6	1	196420-02550	RUBBER, PROTECTION	1	1							
I	6-1	1	196420-02551	RUBBER, PROTECTION	1	1	1	1				N
		(A=*2001.10)	(B=D/#T5006)									
7	1	196420-02701	SEAL FLANGE	1	1	1	1					
8	1	196420-02710	DIAPHRAGM (A)	1	1	1	1					
9	1	196420-02720	DIAPHRAGM (B)	1	1	1	1					
10	1	196420-02730	BAND 199	1	1	1	1					
11	1	196420-02740	BAND 236	1	1	1	1					
12	1	196420-02801	SEAL SENSOR	1	1	1	1					
13	1	196420-02812	AMPLIFIER	1	1	1	1					
14	1	196420-02820	LABEL	1	1	1	1					
15	1	23418-140000	PACKING 14	1	1	1	1					

Remarks
 (1)FOR 3JH3CE,3JH4CE
 (2)FOR 4JH3CE,4JH4CE,4JH3-TCE

(A)=SD40
(B)=SD40-4T
(C)=SD50

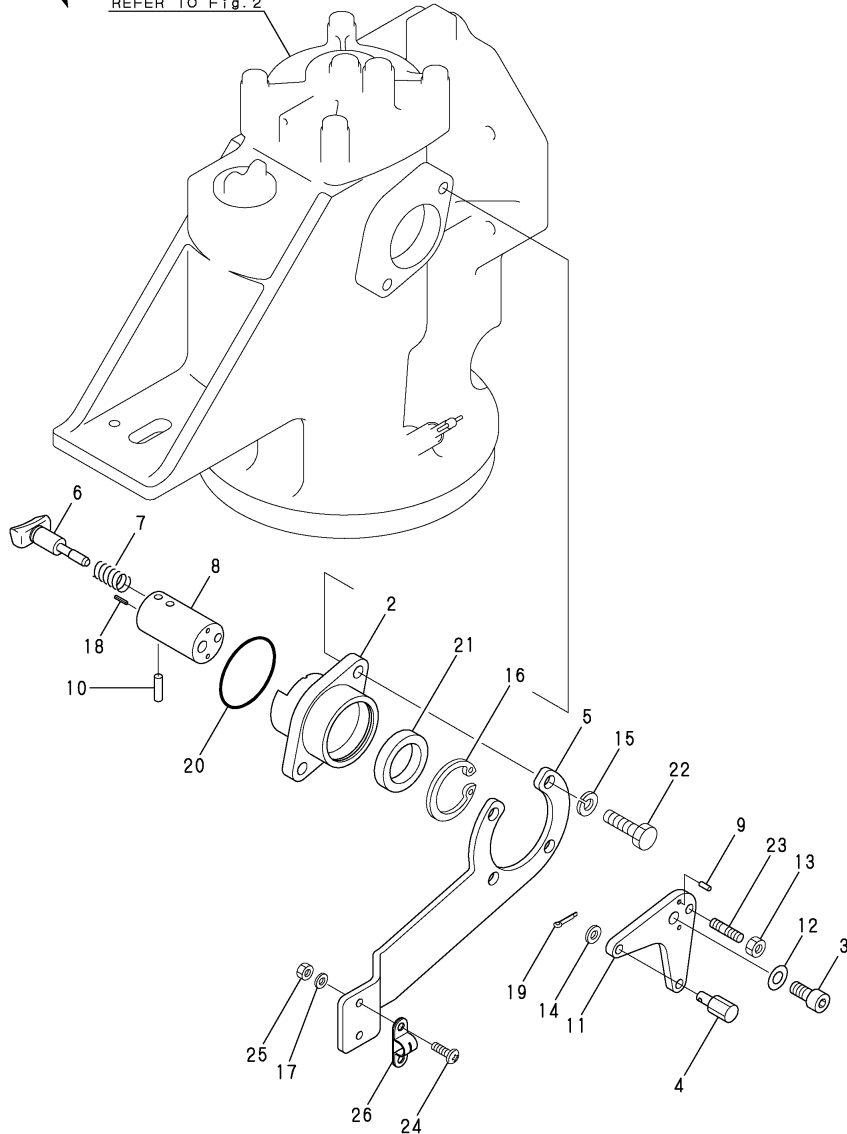
(D)=SD50-4T
(E)=
(F)=

Fig.5.SHIFT LEVER

P/C NEWS No:Y00F5762-1
PUBLISHED:2005/2

1inc.2 ~ 21

REFER TO Fig.2



REF.	LEV.	PARTS NO.	DESCRIPTION	QTY						I	R
				(A)	(B)	(C)	(D)	(E)	(F)		
1	1	796440-06260	SHIFT LEVER ASSY.	1							
I 1-1	1	796440-06261	SHIFT LEVER ASSY.	1	1	1	1				S
		(A=*2001.01)									
2	2	196440-06050	SUPPORT,SHIFT LEVER	1	1	1	1				
3	2	196440-06070	BOLT,SHIFT LEVER	1	1	1	1				
4	2	177073-06200	PIVOT(M5)	1							
I 4-1	2	177073-06210	PIVOT(10-32UNF)	1	1	1	1				S
		(A=*2001.01)									
5	2	196440-06290	BRACKET	1	1	1	1				
6	2	177088-06390	SHIFTER	1	1	1	1				
7	2	196322-06581	SPRING	1	1	1	1				
8	2	196324-06590	SHAFT, LEVER	1	1	1	1				
9	2	196320-06610	PIN 3X8	2	2	2	2				
10	2	196322-06610	PIN 5X18	1	1						
I 10-1	2	196322-06611	PIN 5X18	1	1	1	1				N
		(A=*2002.01) (B=D/#T5036)									
11	2	196440-06610	PLATE,SHIFT LEVER	1	1	1	1				
12	2	196322-06630	SHIM	5	5	5	5				
13	2	196324-06900	NUT 6	1	1	1	1				
14	2	22137-060000	WASHER 6, POLISHED	1	1	1	1				
15	2	22217-080000	SPRING WASHER 8	2	2	2	2				
16	2	22252-000420	CIRCLIP 42	1	1	1	1				
17	2	22287-050000	WASHER 5	2	2	2	2				
18	2	22351-020010	SPRING PIN 2X10	1	1	1	1				
19	2	22417-250200	COTTER PIN 2.5X20	1							
19-1	2	196315-06290	COTTER PIN 2.5X12	1							N
		(A=*2000.02)									
I 19-2	2	22413-250163	COTTER PIN 2.5X16	1	1	1	1				N
		(A=*2001.04)									
20	2	24321-000400	O-RING 1A G-40.0	1	1	1	1				
21	2	24421-284008	SEAL TC28 40 08, OIL	1	1	1	1				
22	1	26206-080302	BOLT M8X30	2	2	2	2				
23	1	26216-060142	STUD M 6X 14 PLATED	1	1	1	1				
24	1	26557-050162	SCREW M 5X 16	2	2	2	2				
25	1	26716-050002	NUT M 5	2	2	2	2				
26	1	41710-000410	CLAMP	1	1	1	1				

Remarks
(1)SCREW SIZE CHANGED

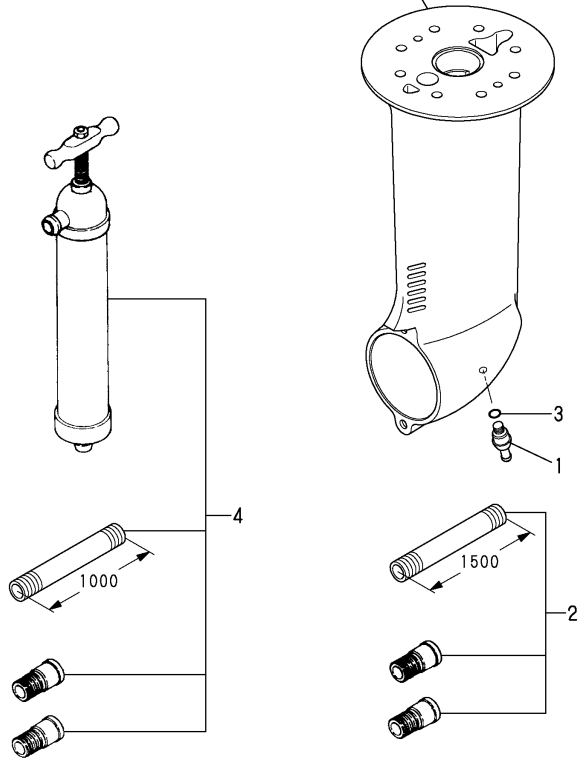
Fig.6.LUB.OIL WASTE PUMP

P/C NEWS No:Y00F5762-1
PUBLISHED:2005/2

(A)=SD40
(B)=SD40-4T
(C)=SD50

(D)=SD50-4T
(E)=
(F)=

REFER TO Fig. 3



REF.	LEV.	PARTS NO.	DESCRIPTION	Q'TY						I	R
				(A)	(B)	(C)	(D)	(E)	(F)		
I	1	1 196311-92960 (A=*2001.02)	JOINT	1	1	1	1				W
I	2	1 196311-92970 (A=*2001.02)	HOSE	1	1						W
I	2-1	1 196440-92970 (A=*2002.01)	HOSE, OIL PUMP (B=D/#T5036)	2	2	2	2				N
I	3	1 24311-000100 (A=*2001.02)	O-RING 1A P-10.0	1	1	1	1				W
I	4	1 28210-000080 (A=*2001.02)	PUMP	1	1	1	1				W

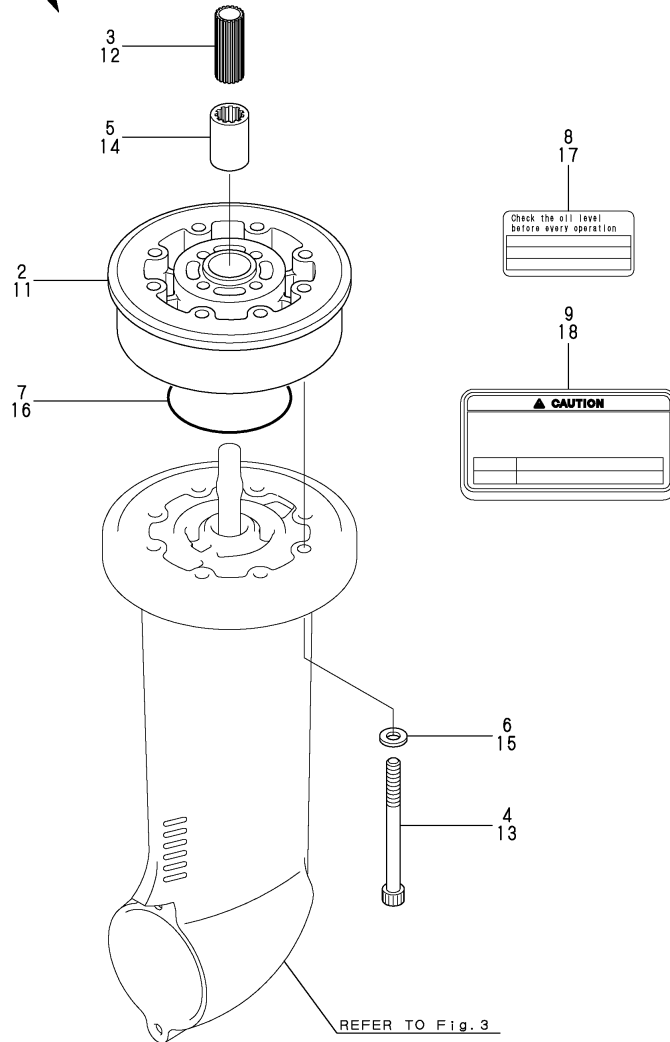
(A)=SD40
(B)=SD40-4T
(C)=SD50

(D)=SD50-4T
(E)=
(F)=

Fig.8.EXTENSION(OPTIONAL)

P/C NEWS No:Y00F5762-2
PUBLISHED:2005/4

1 inc.2 ~ 9
10 inc.11 ~ 18



REF.	LEV.	PARTS NO.	DESCRIPTION	QTY						I	R		
				(A)	(B)	(C)	(D)	(E)	(F)				
I	1	1	796450-02450	EXTENSION (58) ASSY (C=*2005.03) (D=*2005.03)			1	1				W	1
	2	2	196440-02450	EXTENSION 58			1	1					
	3	2	196440-02470	SHAFT, EXTENSION 58			1	1					
	4	2	196440-02480	BOLT M10X115			8	8					
	5	2	196324-04450	SLEEVE			1	1					
	6	2	22113-100000	WASHER 10			8	8					
	7	2	24321-000800	O-RING 1A G-80.0			1	1					
	8	2	196440-02791	LABEL,EXTENSION 58			1	1					
	9	2	196440-02811	LABEL,EXTENSION 58			1	1					
I	10	1	796450-02460	EXTENSION (100) ASSY (C=*2005.03) (D=*2005.03)			1	1				W	1
	11	2	196440-02460	EXTENSION 100			1	1					
	12	2	196324-04560	SHAFT, EXTENSION 100			1	1					
	13	2	196440-02490	BOLT M10X160			8	8					
	14	2	196324-04450	SLEEVE			1	1					
	15	2	22113-100000	WASHER 10			8	8					
	16	2	24321-000800	O-RING 1A G-80.0			1	1					
	17	2	196440-02801	LABEL,EXTENSION 100			1	1					
	18	2	196440-02821	LABEL,EXT.100 SP.OIL			1	1					

Remarks
(1)SELECTION USE PARTS.

Fig.9.SPECIAL TOOL(A)(OPTIONAL)

(A)=SD40
(B)=SD40-4T
(C)=SD50

(D)=SD50-4T
(E)=
(F)=

REF.	LEV.	PARTS NO.	DESCRIPTION	Q'TY						I	R
				(A)	(B)	(C)	(D)	(E)	(F)		
1	1	196440-92010	SPLINE SOCKET 29	1	1	1	1				
2	1	196440-92020	SPLINE SOCKET 34	1	1	1	1				
3	1	196320-92120	SOCKET	1	1	1	1				

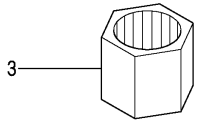
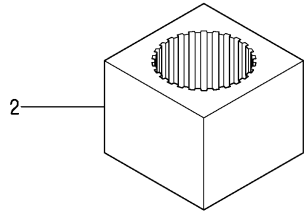
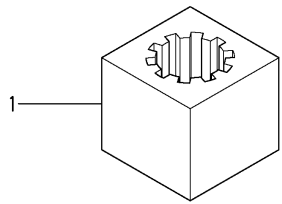
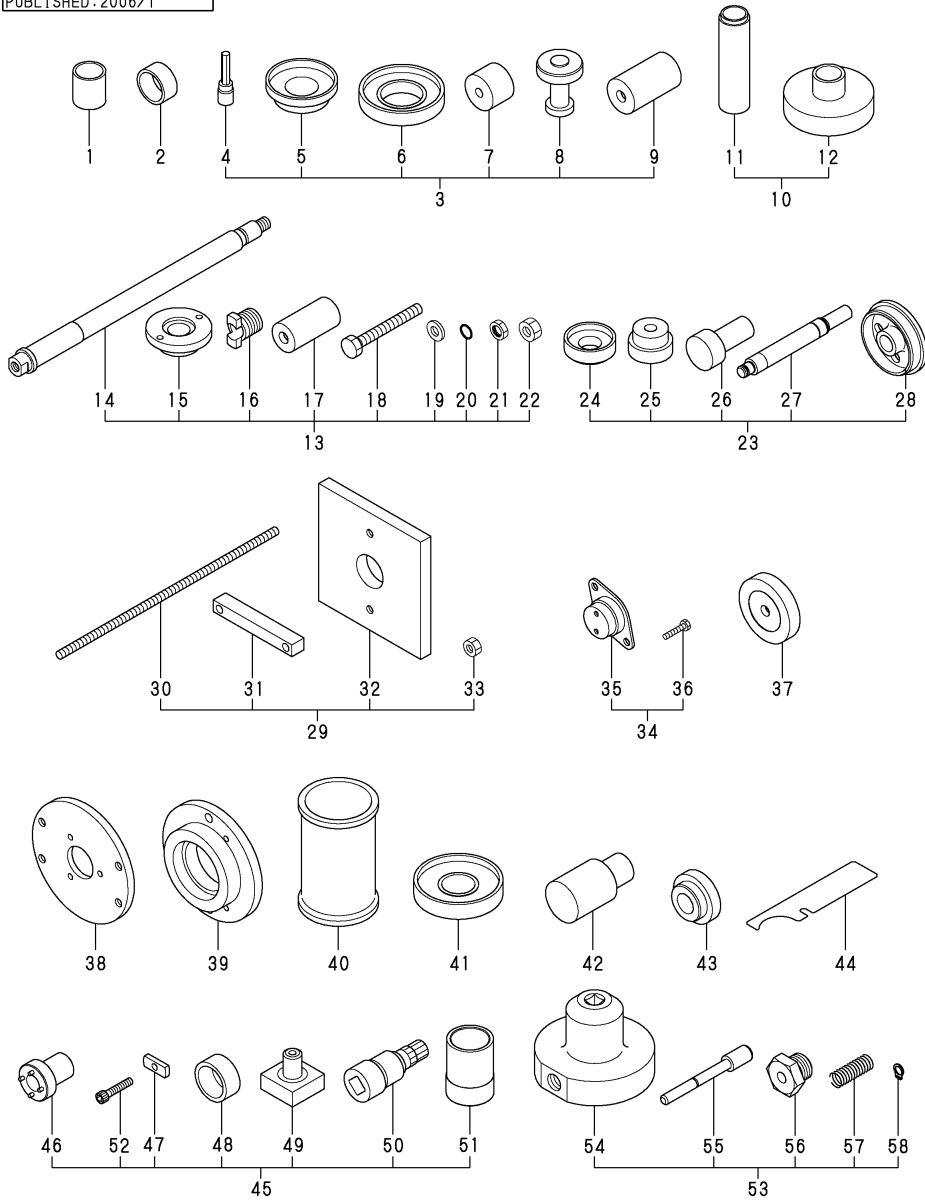


Fig.10.SPECIAL TOOL(B)(OPTIONAL)

P/C NEWS No:Y00F5762-4
PUBLISHED:2006/1



Remarks
(1)THIS DESIGN CHANGE IS NOT APPLIED
TO DRIVE NO.0109-04 AND T109-04.

Y00F5762 10.SPECIAL TOOL(B)(OPTIONAL)

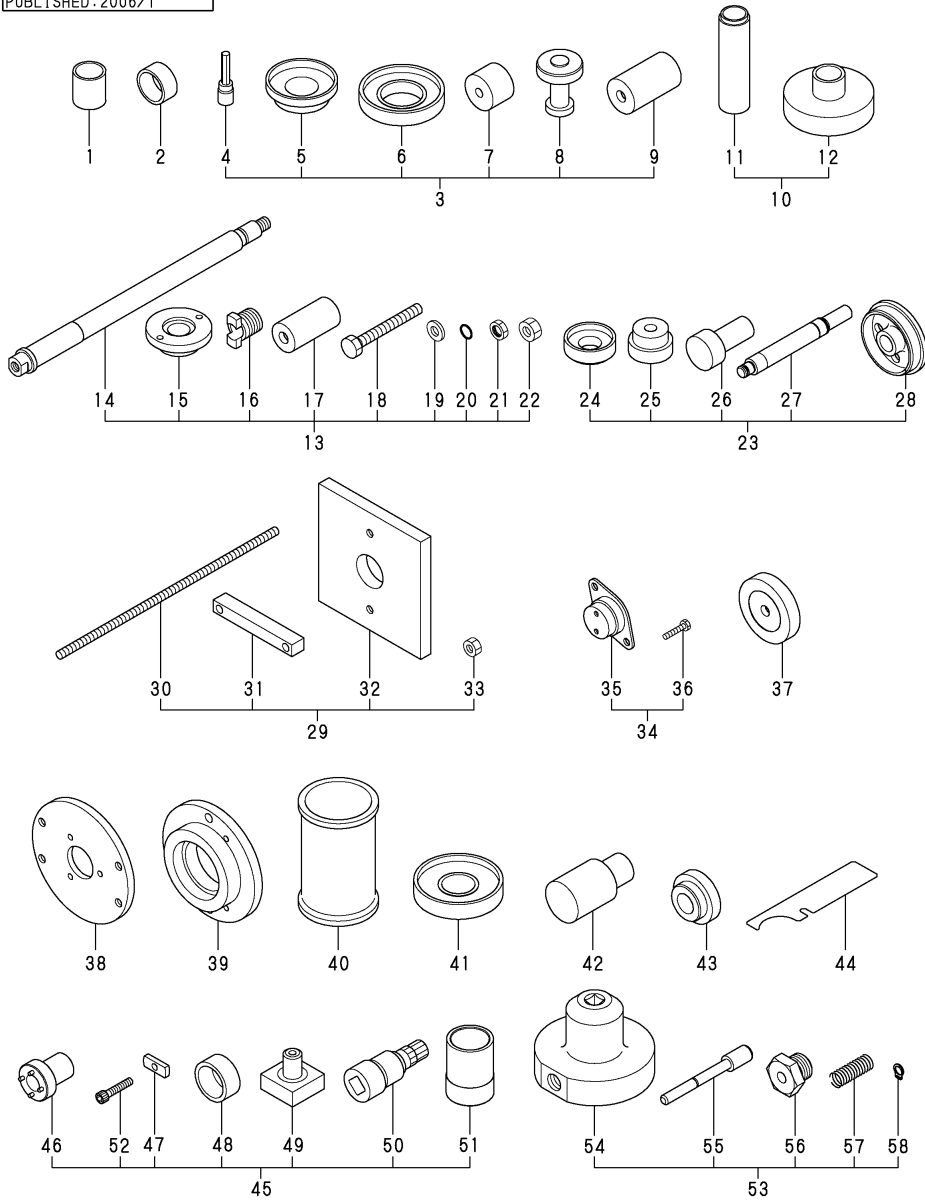
(A)=SD40
(B)=SD40-4T
(C)=SD50
(D)=SD50-4T
(E)=
(F)=

REF.	LEV.	PARTS NO.	DESCRIPTION	QTY						I	R
				(A)	(B)	(C)	(D)	(E)	(F)		
1	1	196312-92110	SLEEVE, BUILD-UP	1	1	1	1				
2	1	196440-92120	TOOL 43X20	1	1	1	1				
3	1	196440-92140	TOOL CMP,UPPER GEAR	1	1	1	1				
4	2	196420-92440	SOCKET 8	1	1	1	1				
5	2	196311-92560	RING, BUILD-UP	1	1	1	1				
6	2	196320-92560	TOOL B85	1	1	1	1				
7	2	196320-92600	TOOL NB20X25	1	1	1	1				
8	2	196311-92690	REPLACER 32X52	1	1	1	1				
9	2	196320-92690	TOOL	1	1	1	1				
10	1	196440-92150	TOOL CMP,DRIVE SHAFT	1	1	1	1				
11	2	196440-92110	TOOL 34X125	1	1	1	1				
12	2	196440-92130	TOOL NB36X50	1	1	1	1				
13	1	196440-92160	TOOL CMP,D SHAFT NB	1	1	1	1				
14	2	196420-92650	TOOL SHAFT	1	1	1	1				
15	2	196420-92660	TOOL 25/47	1	1	1	1				
16	2	196440-92680	TOOL NB28	1	1	1	1				
17	2	196420-92690	REPLACER 30X36	1	1	1	1				
18	2	196320-92700	BOLT M12X 85	1	1	1	1				
19	2	22137-120000	WASHER 12,POLISHED	1	1	1	1				
20	2	24311-000160	O-RING 1A P-16.0	1	1	1	1				
21	2	26606-140002	NUT M14	1	1	1	1				
22	2	26711-120002	NUT M12	1	1	1	1				
23	1	196440-92170	TOOL CMP,P SHAFT B	1	1	1	1				
24	2	196311-92570	RING, BUILD-UP	1	1	1	1				
25	2	196440-92580	TOOL TB62	1	1	1	1				
26	2	196440-92590	TOOL, GUIDE 32	1	1	1	1				
27	2	196322-92620	TOOL B17X25	1	1	1	1				
28	2	196320-92640	GUIDE	1	1	1	1				
29	1	196440-92180	TOOL CMP,P SHAFT MEA	1	1	1	1				
30	2	196440-92250	BOLT,P SHAFT MEASURE	1	1	1	1				
31	2	196440-92260	TOOL,P SHAFT FIXED	1	1	1	1				
32	2	196440-92270	STAND,P SHAFT	1	1	1	1				
33	2	26716-120002	NUT 12	4	4	4	4				
34	1	196440-92190	TOOL CMP,BACKLUSH ME	1	1	1	1				
35	2	196440-92300	TOOL,U GEAR MEASURE	1	1	1	1				
36	2	26116-060302	BOLT M 6X 30 PLATED	1	1	1	1				
37	1	196322-92260	TOOL,U BRG MEASURE	1	1	1	1				
38	1	196440-92280	TOOL,D SHAFT BRG	1	1	1	1				
39	1	196440-92290	TOOL,P SHAFT BRG	1	1	1	1				
40	1	196311-92510	BRACKET	1	1	1	1				
41	1	196322-92550	TOOL B85	1	1	1	1				
42	1	196440-92860	TOOL OS34	1	1	1	1				
43	1	196320-92880	TOOL OS45X62	1	1	1	1				
44	1	196440-92200	TEMPLATE,PIPE ADJUST	1	1	1	1				W
(A=*2000.05)											
45	1	196440-92390	TOOL,T LIMIT CMP	1	1	1	1				W 1
(A=D#0022-04) (B=D#T022-04)											
46	2	196420-92300	SOCKET WRENCH	1	1	1	1				W 1
(A=D#0022-04) (B=D#T022-04)											
47	2	196420-92340	TOOL 35X6	1	1	1	1				W 1
(A=D#0022-04) (B=D#T022-04)											
48	2	196420-92350	TOOL 49X22	1	1	1	1				W 1
(A=D#0022-04) (B=D#T022-04)											
49	2	196440-92400	ASSEMBLY STAND	1	1	1	1				W 1

++ CONTINUE ++

Fig.10.SPECIAL TOOL(B)(OPTIONAL)

P/C NEWS No:Y00F5762-4
PUBLISHED:2006/1



Y00F5762 10.SPECIAL TOOL(B)(OPTIONAL)

(A)=SD40
(B)=SD40-4T
(C)=SD50
(D)=SD50-4T
(E)=
(F)=

REF.	LEV.	PARTS NO.	DESCRIPTION	QTY						I	R
				(A)	(B)	(C)	(D)	(E)	(F)		
		(A=D#0022-04) (B=D#T022-04)									
50	2	196440-92421	SPLINE WRENCH	1	1	1	1				W 1
		(A=D#0022-04) (B=D#T022-04)									
51	2	196440-92440	INSPECTION STAND	1	1	1	1				W 1
		(A=D#0022-04) (B=D#T022-04)									
52	2	26116-080402	BOLT M 8X 40 PLATED	1	1	1	1				W 1
		(A=D#0022-04) (B=D#T022-04)									
I 53	1	196450-92100	TL CMP,P NUT FIXED	1	1	1	1				W
		(A=*2005.08) (B=*2005.08) (C=*2005.08) (D=*2005.08)									
I 54	2	196450-92110	BASE,P NUT FIXED	1	1	1	1				W
		(A=*2005.08) (B=*2005.08) (C=*2005.08) (D=*2005.08)									
I 55	2	196450-92120	PIN,P NUT FIXED	2	2	2	2				W
		(A=*2005.08) (B=*2005.08) (C=*2005.08) (D=*2005.08)									
I 56	2	196450-92130	PLUG,P NUT FIXED	2	2	2	2				W
		(A=*2005.08) (B=*2005.08) (C=*2005.08) (D=*2005.08)									
I 57	2	196450-92140	SPRING,P NUT FIXED	2	2	2	2				W
		(A=*2005.08) (B=*2005.08) (C=*2005.08) (D=*2005.08)									
I 58	2	196450-92150	RING,P NUT FIXED	2	2	2	2				W
		(A=*2005.08) (B=*2005.08) (C=*2005.08) (D=*2005.08)									

Remarks
(1)THIS DESIGN CHANGE IS NOT APPLIED
TO DRIVE NO.0109-04 AND T109-04.