

OCR10-M85900EN

Introduction

1. This parts catalog is a first edition of the SD60-4, SD60-4EXT, SD60-5, SD60-5EXT.

	Parts catalog No.	Date of issue	Remarks
First edition	OCR10-G85900	July, 2013	

2. This parts catalog does not contain the technical data needed for maintenance service.

3. The illustrations used in this parts catalog have been simplified for clarity.

4. The contents of this parts catalog are subject to change without notice.

5. Be sure to use only Yanmar genuine part for repairs. If imitation parts are used, it may cause engine defects.

Contents

OCR10-M85900

Fig. No. Fig. Name

OUTBOARD DRIVE

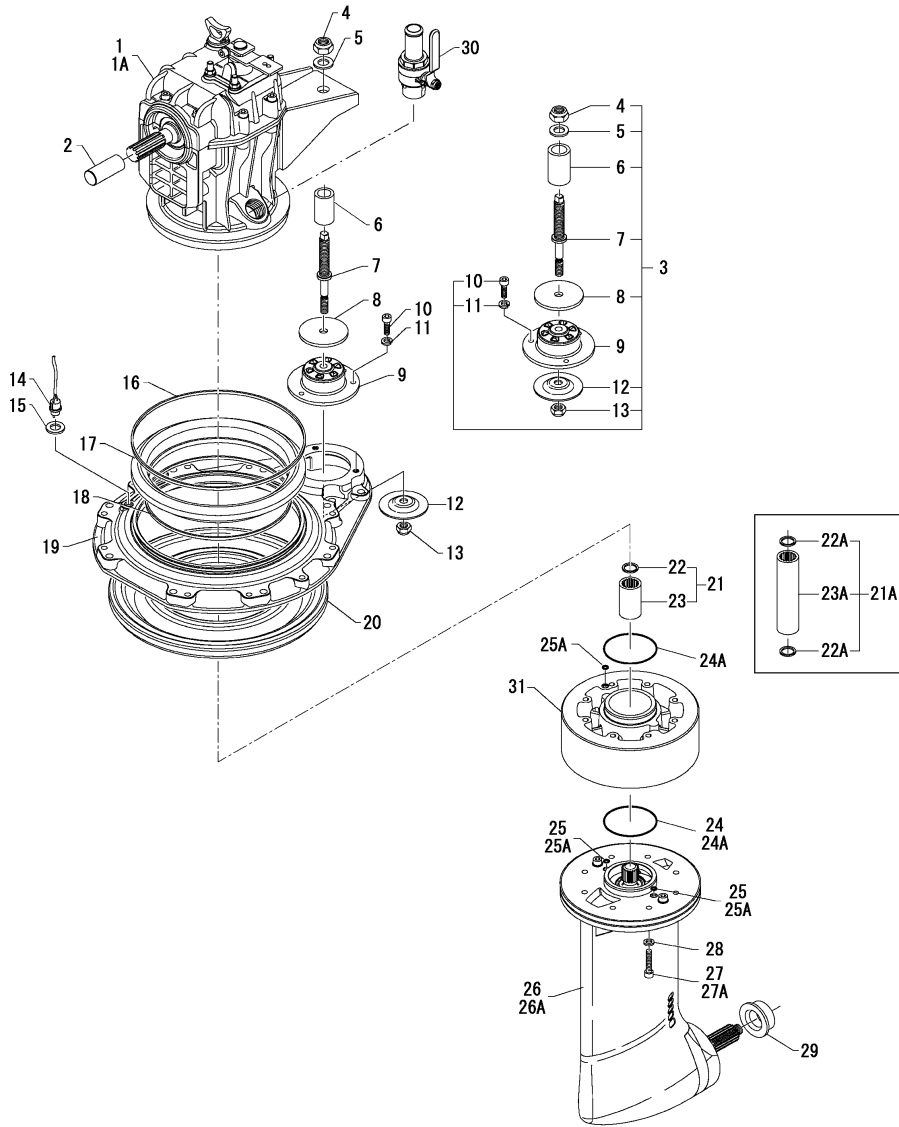
1. DRIVE(SD60)
2. UPPER GEAR HOUSING
3. INPUT SHAFT
4. SHIFT LEVER
5. SUPPORT(REMOTE CONTROL)
6. LOWER GEAR HOUSING
10. (6A)OUTPUT SHAFT
7. REPAIR PARTS(UPPER KIT)(OPTIONAL)
8. REPAIR PARTS(LOWER KIT)(OPTIONAL)
9. PROPELLER NUT(OPTIONAL)

Fig. No. Fig. Name

Fig.1. DRIVE(SD60)

(A)=SD60-4
(B)=SD60-4EXT
(C)=SD60-5

(D)=SD60-5EXT
(E)=
(F)=



No.	Lev.	Parts No.	Description	Qty						I	R
				(A)	(B)	(C)	(D)	(E)	(F)		
1	1	796460-02010	HOUSING ASSY,UPPER			1	1				1
1-1	1	796460-02030	HOUSING ASSY,UPPER (C=*2016.09.) (D=*2016.09.)			1	1				N 1
1A	1	796460-02020	HOUSING ASSY,UPPER-L	1	1						1
1A-1	1	796460-02040 (A=*2016.09.) (B=*2016.09.)	HOUSING ASSY,UPPER-L	1	1						N 1
2	1	196460-02050	PROTECTOR	1	1	1	1				
3	1	196460-02310	MOUNT ASSY	1	1	1	1				
4	2	196460-02320	NUT, LOCK	1	1	1	1				
5	2	196460-02330	DISC	1	1	1	1				
6	2	196460-02340	SPACER	1	1	1	1				
7	2	196460-02440	PIN, SUPPORT	1	1	1	1				
8	2	196460-02450	PLATE	1	1	1	1				
9	2	196460-02460	SUPPORT, RUBBER	1	1	1	1				
10	2	196460-02470	BOLT	3	3	3	3				
11	2	196460-02950	WASHER	3	3	3	3				
12	2	196460-02480	PLATE	1	1	1	1				
13	2	196460-02490	NUT, LOCK	1	1	1	1				
14	1	196420-02801	SENSOR, SEAL	1	1	1	1				
15	1	23418-140000	GASKET, 14X1.0	1	1	1	1				
16	1	196460-02730	RING, SNAP	1	1	1	1				
16-1	1	196460-02750 (A=*2016.09.) (B=*2016.09.) (C=*2016.09.) (D=*2016.09.)	RING, SNAP	1	1	1	1				R
17	1	196460-02710	GASKET	1	1	1	1				
18	1	196460-02740	RING, SNAP	1	1	1	1				
18-1	1	196460-02730 (A=*2016.09.) (B=*2016.09.) (C=*2016.09.) (D=*2016.09.)	RING, SNAP	1	1	1	1				R
19	1	196460-02700	RING, CLAMP	1	1	1	1				
20	1	196460-02720	GASKET	1	1	1	1				
21	1	196460-04460	SLEEVE ASSY	1		1					
21A	1	196460-04410	SLEEVE ASSY, EXT		1		1				
22	2	196460-04480	RING	1		1					
22A	2	196460-04480	RING		2		2				
23	2	196460-04470	SLEEVE	1		1					
23A	2	196460-04420	SLEEVE, EXTENSION		1		1				
24	1	196460-02810	O-RING	1		1					
24A	1	196460-02810	O-RING		2		2				
25	1	196460-02820	O-RING	2		2					
25A	1	196460-02820	O-RING		3		3				
26	1	796460-02510	HOUSING ASSY, L-2.23	1	1	1	1				2
26A	1	796460-02520	HOUSING ASSY, L-2.49	1	1	1	1				2
27	1	196460-02830	BOLT	8		8					
27-1	1	196460-02510 (A=*2016.09.) (C=*2016.09.)	BOLT	8		8					N
27A	1	196460-02910	BOLT		8		8				
27A-1	1	196460-02520 (B=*2016.09.) (D=*2016.09.)	BOLT		8		8				N
28	1	196460-02930	WASHER	8	8	8	8				
28-1	1	196460-02530 (A=*2016.09.) (B=*2016.09.) (C=*2016.09.) (D=*2016.09.)	WASHER	8	8	8	8				N
29	1	196460-09250	SPACER	1	1	1	1				

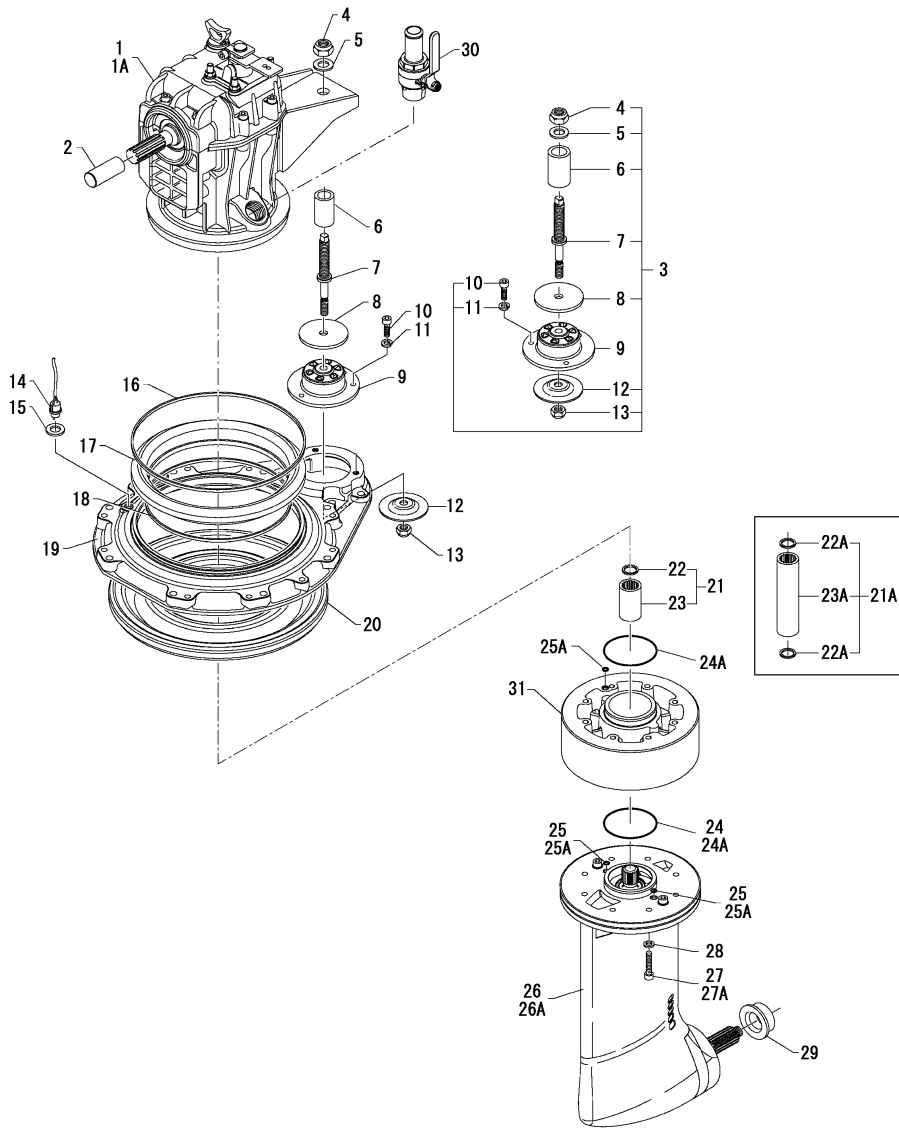
Remarks

- (1) Inner parts are shown in Fig.2.
- (2) Inner parts are shown in Fig.6.

Fig.1. DRIVE(SD60)

(A)=SD60-4
(B)=SD60-4EXT
(C)=SD60-5

(D)=SD60-5EXT
(E)=
(F)=



No.	Lev.	Parts No.	Description	Q'ty						I	R
				(A)	(B)	(C)	(D)	(E)	(F)		
30	1	196460-02400	COCK	1	1	1	1				
31	1	196460-02920	PIECE, EXTENSION		1		1				

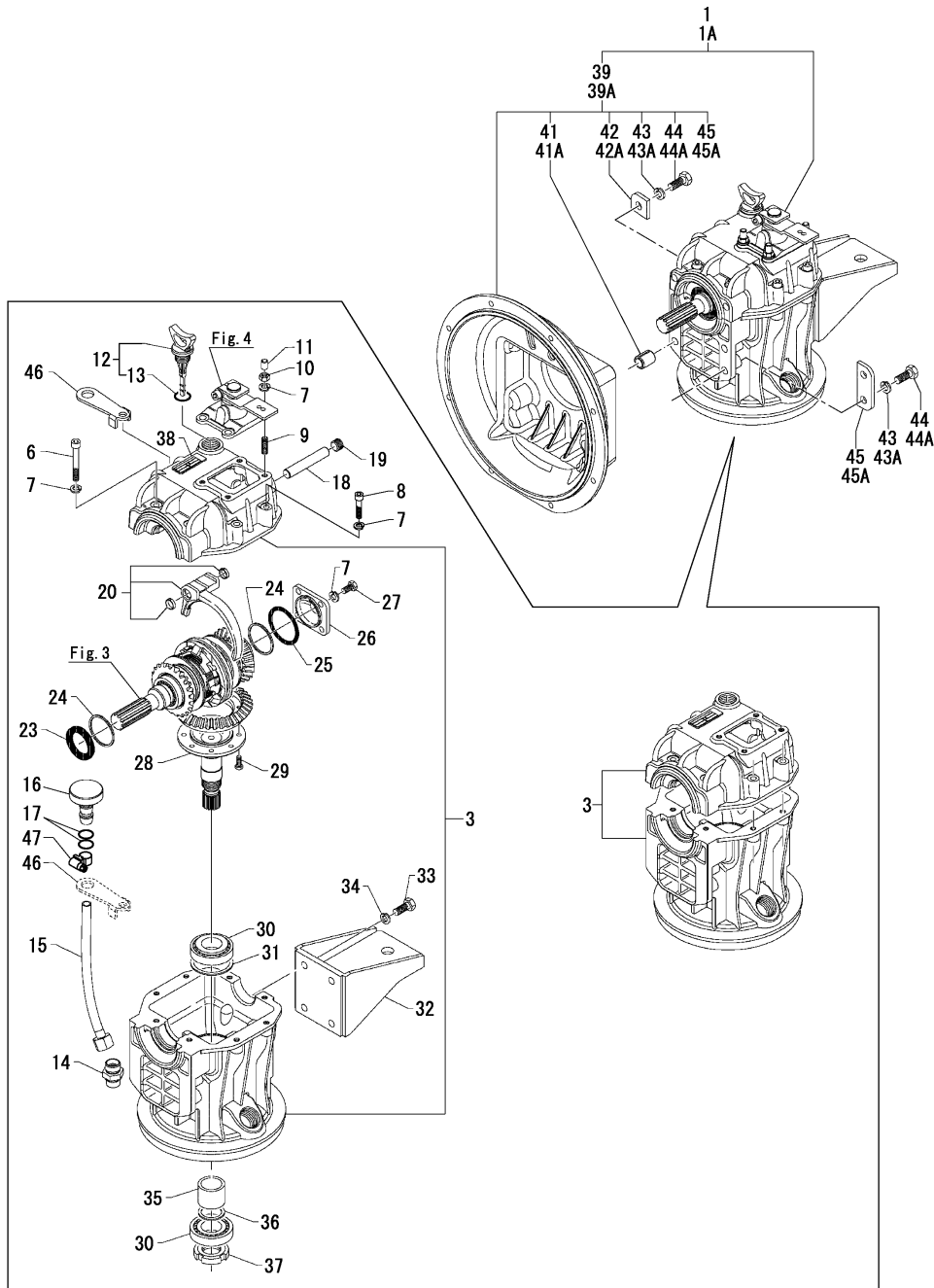
Remarks

- (1) Inner parts are shown in Fig.2.
- (2) Inner parts are shown in Fig.6.

Fig.2. UPPER GEAR HOUSING

(A)=SD60-4
(B)=SD60-4EXT
(C)=SD60-5

(D)=SD60-5EXT
(E)=
(F)=

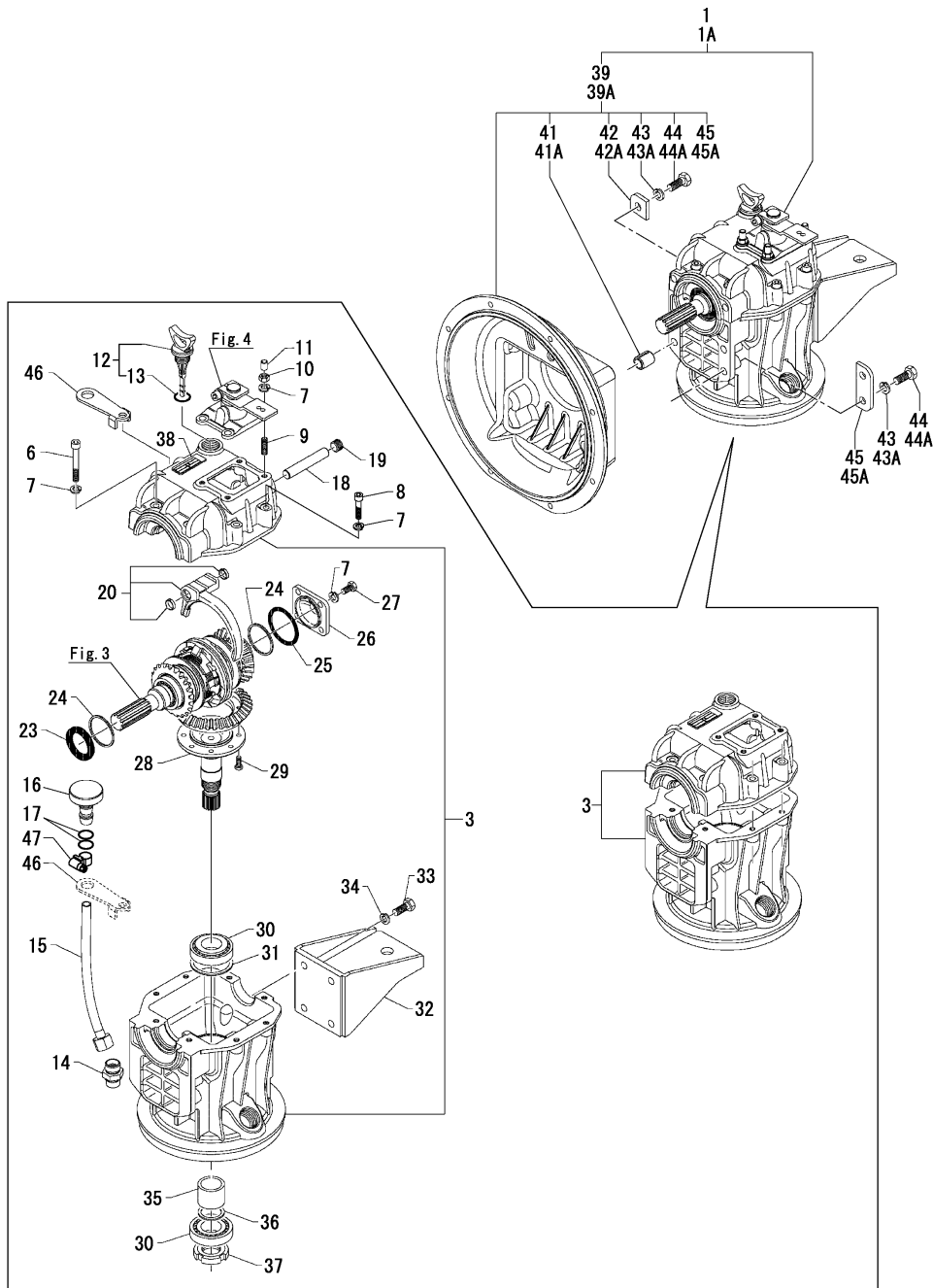


No.	Lev.	Parts No.	Description	Q'ty						I	R
				(A)	(B)	(C)	(D)	(E)	(F)		
1	1	796460-02010	HOUSING ASSY,UPPER			1	1				
1-1	1	796460-02030	HOUSING ASSY,UPPER (C=*2016.09.) (D=*2016.09.)			1	1				N
1A	1	796460-02020	HOUSING ASSY,UPPER-L	1	1						
1A-1	1	796460-02040	HOUSING ASSY,UPPER-L (A=*2016.09.) (B=*2016.09.)	1	1						N
3	2	196460-02010	HOUSING ASSY, UPPER	1	1	1	1				
6	2	196460-02940	BOLT	2	2	2	2				
7	2	196460-02950	WASHER	16	16	16	16				
8	2	196460-02540	BOLT	6	6	6	6				
9	2	196460-02960	BOLT, STUD	4	4	4	4				
9-1	2	196460-02990	BOLT, STUD (A=*2017.10.) (B=*2017.10.) (C=*2017.10.) (D=*2017.10.)	4	4	4	4				N
10	2	196460-02970	NUT	4	4	4	4				
11	2	196460-02980	PROTECTOR	4	4	4	4				
12	2	196460-02350	DIPSTICK	1	1	1	1				
12-1	2	196460-02390	DIPSTICK (A=*2014.08.) (B=*2014.08.) (C=*2014.08.) (D=*2014.08.)	1	1	1	1				R
13	3	196460-02360	O-RING	1	1	1	1				
14	2	196460-02370	JOINT	1	1	1	1				
15	2	196460-02380	PIPE	1	1	1	1				
16	2	196460-02420	PLUG	1	1	1	1				
17	3	196460-02430	O-RING	2	2	2	2				
18	2	196460-06110	PIN, FORK	1	1	1	1				
19	2	196460-06120	PLUG	1	1	1	1				
20	2	196460-06130	FORK, SHIFT	1	1	1	1				
23	2	196460-02260	SEAL, INPUT	1	1	1	1				
24	2	196460-02200	SHIM, 0.10	2	2	2	2				
24A	2	196460-02210	SHIM, 0.15	2	2	2	2				
24B	2	196460-02220	SHIM, 0.20	2	2	2	2				
24C	2	196460-02230	SHIM, 0.30	2	2	2	2				
24D	2	196460-02240	SHIM, 0.50	2	2	2	2				
24E	2	196460-02250	SHIM, 1.00	2	2	2	2				
25	2	196460-02270	GASKET	1	1	1	1				
26	2	196460-02280	COVER	1	1	1	1				
27	2	196460-02290	BOLT	4	4	4	4				
28	2	196460-04570	SHAFT, SUPPORT	1	1	1	1				
29	2	196460-04580	BOLT	8	8	8	8				
30	2	196460-04590	BEARING	2	2	2	2				
31	2	196460-02150	SHIM, 0.10	1	1	1	1				
31A	2	196460-02160	SHIM, 0.15	1	1	1	1				
31B	2	196460-02170	SHIM, 0.20	1	1	1	1				
31C	2	196460-02180	SHIM, 0.50	1	1	1	1				
31D	2	196460-02190	SHIM, 1.00	1	1	1	1				
32	2	196460-02300	BRACKET	1	1	1	1				
33	2	196460-02770	BOLT	4	4	4	4				
34	2	196460-02780	WASHER	4	4	4	4				
35	2	196460-04600	SPACER	1	1	1	1				
36	2	196460-04610	SHIM, 0.10	1	1	1	1				
36A	2	196460-04620	SHIM, 0.15	1	1	1	1				
36B	2	196460-04630	SHIM, 0.20	1	1	1	1				

Fig.2. UPPER GEAR HOUSING

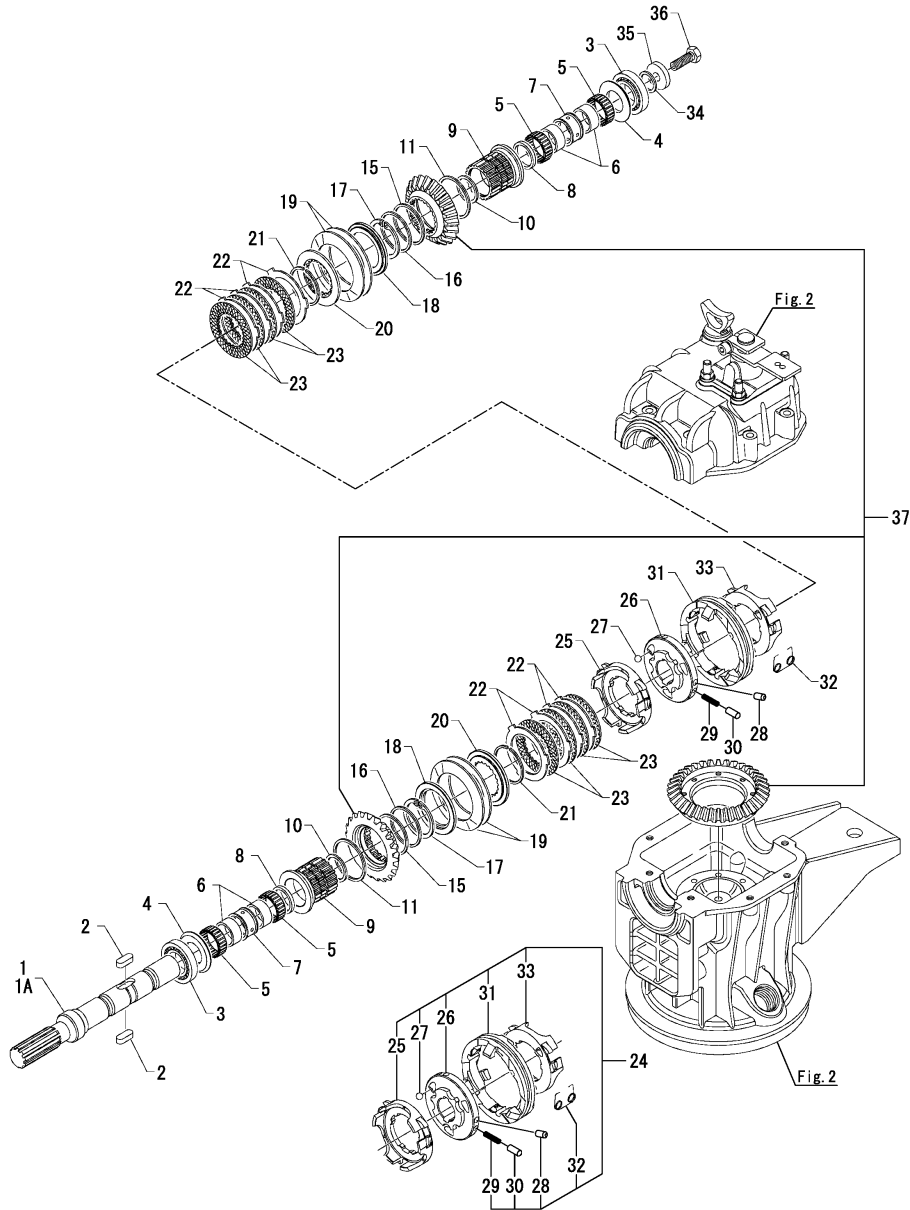
(A)=SD60-4
(B)=SD60-4EXT
(C)=SD60-5

(D)=SD60-5EXT
(E)=
(F)=



No.	Lev.	Parts No.	Description	Q'ty						I	R
				(A)	(B)	(C)	(D)	(E)	(F)		
36C	2	196460-04640	SHIM, 0.30	1	1	1	1				
37	2	196460-04650	NUT, RING	1	1	1	1				
38	2	196460-02120	LABEL, NAME	1	1	1	1				
39	2	196460-02110	FLANGE ASSY, SAE5				1	1			
39A	2	196460-02130	FLANGE ASSY, SAE4	1	1						
41	3	196460-02060	BUSH				1	1			
41-1	3	196460-02030	BUSH, TAPERED (C=*2016.09.) (D=*2016.09.)				1	1			N
41A	3	196460-02060	BUSH	1	1						
41A-1	3	196460-02030	BUSH, TAPERED (A=*2016.09.) (B=*2016.09.)	1	1						N
42	3	196460-02070	WASHER				2	2			
42A	3	196460-02070	WASHER	2	2						
43	3	196460-02780	WASHER				6	6			
43A	3	196460-02780	WASHER	6	6						
44	3	196460-02080	BOLT				6	6			
44A	3	196460-02080	BOLT	6	6						
45	3	196460-02090	PLATE				2	2			
45A	3	196460-02090	PLATE	2	2						
46	2	196460-02040	BRACKET	1	1	1	1				
47	2	196460-02650	CLAMP	1	1	1	1				

Fig.3. INPUT SHAFT



(A)=SD60-4
(B)=SD60-4EXT
(C)=SD60-5

(D)=SD60-5EXT
(E)=
(F)=

No.	Lev.	Parts No.	Description	Qty						I	R
				(A)	(B)	(C)	(D)	(E)	(F)		
1	1	196460-04010	SHAFT, INPUT			1	1				
1A	1	196460-04020	SHAFT, INPUT-L	1	1						
2	1	196460-04030	KEY	2	2	2	2				
3	1	196460-04040	BEARING	2	2	2	2				
4	1	196460-04050	WASHER, THRUST	2	2	2	2				
4-1	1	196460-04430	WASHER, THRUST	2	2	2	2				N
		(A=*2017.10.) (B=*2017.10.) (C=*2017.10.) (D=*2017.10.)									
5	1	196460-04060	BEARING, NEEDLE	4	4	4	4				
6	1	196460-04070	RING, INNER	4	4	4	4				
7	1	196460-04080	SPACER	2	2	2	2				
8	1	196460-04090	SPACER	2	2	2	2				
9	1	196460-04100	SLEEVE	2	2	2	2				
10	1	196460-04110	SHIM, 0.15	2	2	2	2				
10A	1	196460-04120	SHIM, 0.20	2	2	2	2				
10B	1	196460-04130	SHIM, 0.30	2	2	2	2				
10C	1	196460-04140	SHIM, 0.40	2	2	2	2				
10D	1	196460-04150	SHIM, 0.50	2	2	2	2				
10E	1	196460-04160	SHIM, 0.60	2	2	2	2				
10F	1	196460-04170	SHIM, 0.70	2	2	2	2				
11	1	196460-04180	SHIM, 0.10	2	2	2	2				
11A	1	196460-04190	SHIM, 0.15	2	2	2	2				
11B	1	196460-04200	SHIM, 0.20	2	2	2	2				
11C	1	196460-04210	SHIM, 0.30	2	2	2	2				
11D	1	196460-04220	SHIM, 0.50	2	2	2	2				
15	1	196460-02200	SHIM, 0.10	2	2	2	2				
15A	1	196460-02210	SHIM, 0.15	2	2	2	2				
15B	1	196460-02220	SHIM, 0.20	2	2	2	2				
15C	1	196460-02230	SHIM, 0.30	2	2	2	2				
15D	1	196460-02240	SHIM, 0.50	2	2	2	2				
15E	1	196460-02250	SHIM, 1.00	2	2	2	2				
16	1	196460-04230	SPACER	2	2	2	2				
17	1	196460-04240	RING, SNAP	2	2	2	2				
18	1	196460-04250	PLATE	2	2	2	2				
19	1	196460-04260	CUP, SPRING	4	4	4	4				
20	1	196460-04270	DISC	2	2	2	2				
21	1	196460-04280	RING, SNAP	2	2	2	2				
22	1	196460-04290	DISC, OUTER	8	8	8	8				
23	1	196460-04300	DISC, INNER	8	8	8	8				
24	1	196460-04310	SLEEVE ASSY	1	1	1	1				
24-1	1	196460-04710	SLEEVE ASSY	1	1	1	1				N
		(A=*2016.09.) (B=*2016.09.) (C=*2016.09.) (D=*2016.09.)									
25	2	196460-04320	CARRIER, DISC-L	1	1	1	1				
25-1	2	196460-04720	CARRIER, DISC-L	1	1	1	1				F 1
		(A=*2016.09.) (B=*2016.09.) (C=*2016.09.) (D=*2016.09.)									
26	2	196460-04330	SLEEVE, GUIDE	1	1	1	1				
26-1	2	196460-04730	SLEEVE, GUIDE	1	1	1	1				F 1
		(A=*2016.09.) (B=*2016.09.) (C=*2016.09.) (D=*2016.09.)									
27	2	196460-04340	BALL	6	6	6	6				
28	2	196460-04350	PIN, DRIVE	3	3	3	3				
29	2	196460-04360	SPRING	3	3	3	3				
30	2	196460-04370	PIN, LOCK	3	3	3	3				

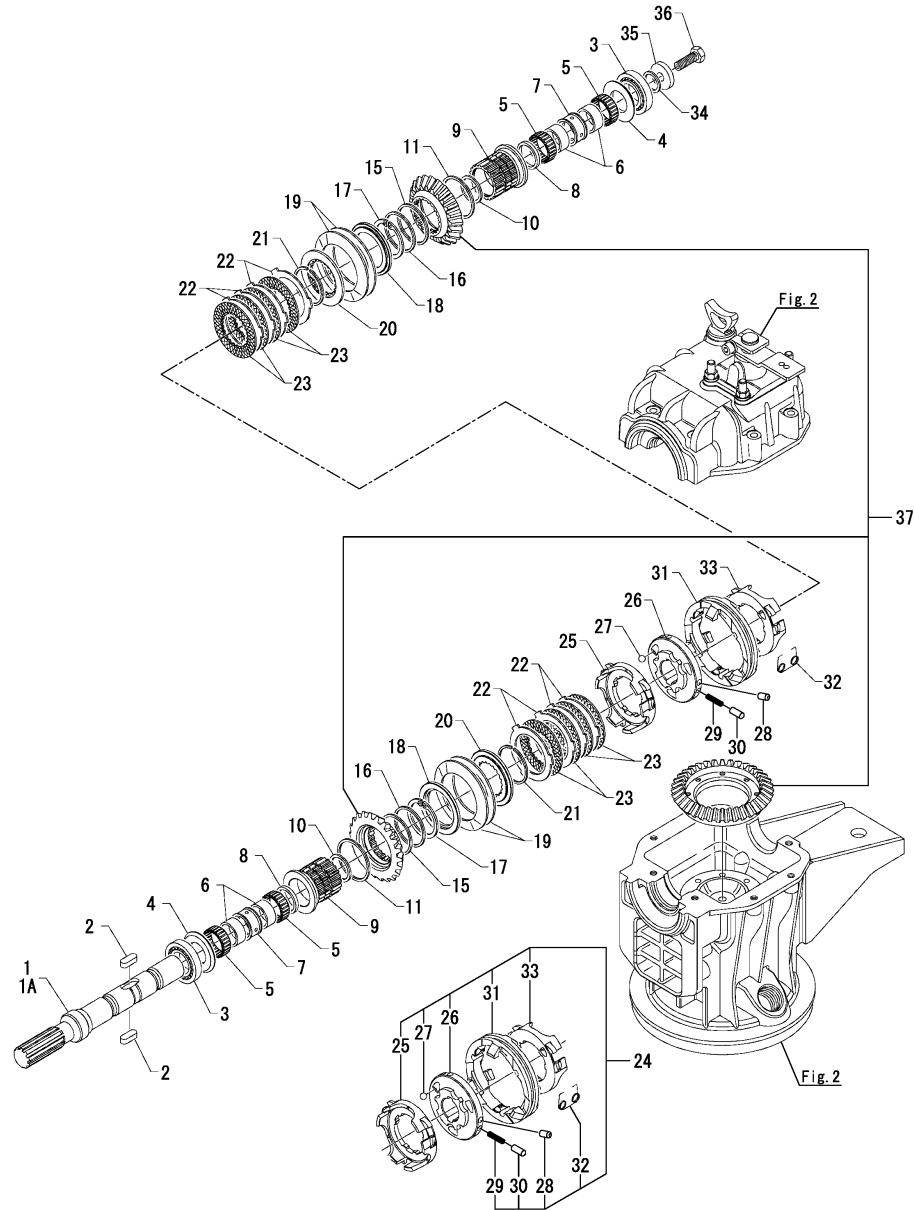
Remarks

(1)No.25-1, 26-1 & 33-1 interchangeable by set.

Fig.3. INPUT SHAFT

(A)=SD60-4
(B)=SD60-4EXT
(C)=SD60-5

(D)=SD60-5EXT
(E)=
(F)=



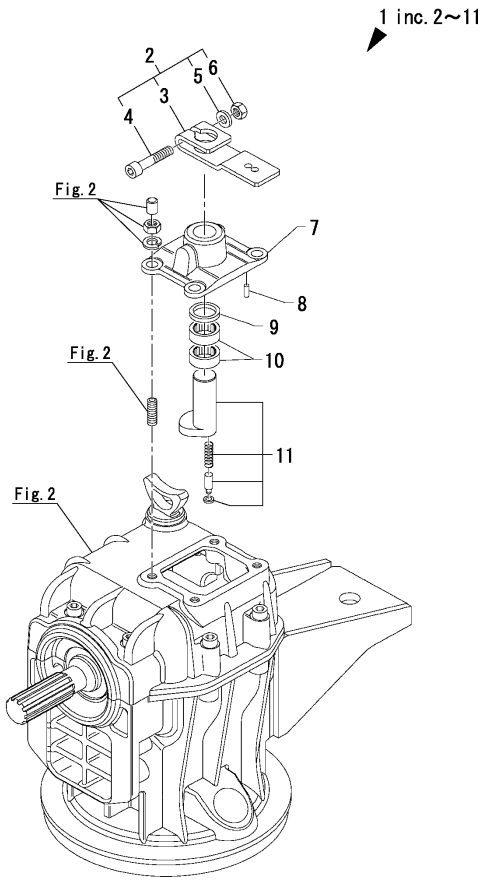
No.	Lev.	Parts No.	Description	Q'ty						I	R
				(A)	(B)	(C)	(D)	(E)	(F)		
31	2	196460-04380	SLEEVE	1	1	1	1				
32	2	196460-04390	SPRING	3	3	3	3				
33	2	196460-04400	CARRIER, DISC-R	1	1	1	1				
33-1	2	196460-04740	CARRIER, DISC-R	1	1	1	1			F	1
		(A=*2016.09.)	(B=*2016.09.)	(C=*2016.09.)	(D=*2016.09.)						
34	1	196460-04510	SHIM, 0.10	1	1	1	1				
34A	1	196460-04520	SHIM, 0.15	1	1	1	1				
34B	1	196460-04530	SHIM, 0.20	1	1	1	1				
34C	1	196460-04540	SHIM, 0.50	1	1	1	1				
34D	1	196460-04550	SHIM, 1.00	1	1	1	1				
35	1	196460-04500	WASHER	1	1	1	1				
36	1	196460-04560	BOLT	1	1	1	1				
37	1	196460-04670	GEAR SET, BEVEL	1	1	1	1				W
		(A=*2017.10.)	(B=*2017.10.)	(C=*2017.10.)	(D=*2017.10.)						

Remarks
(1)No.25-1, 26-1 & 33-1 interchangeable by set.

Fig.4. SHIFT LEVER

(A)=SD60-4
(B)=SD60-4EXT
(C)=SD60-5

(D)=SD60-5EXT
(E)=
(F)=



No.	Lev.	Parts No.	Description	Qty						I	R
				(A)	(B)	(C)	(D)	(E)	(F)		
1	1	196460-06050	COVER ASSY, SHIFT	1	1	1	1				
2	2	196460-06260	LEVER ASSY, SHIFT	1	1	1	1				
3	3	196460-06280	LEVER, SHIFT	1	1	1	1				
4	3	196460-06710	BOLT	1	1	1	1				
5	3	196460-06720	WASHER	1	1	1	1				
6	3	196460-02970	NUT	1	1	1	1				
7	2	196460-06250	COVER, SHIFT	1	1	1	1				
8	2	196460-06310	PIN, SPRING	1	1	1	1				
9	2	196460-06320	RING, SEAL	1	1	1	1				
10	2	196460-06330	BEARING, NEEDLE	2	2	2	2				
11	2	196460-06350	CAM ASSY, ACTUATING	1	1	1	1				

Fig.5. SUPPORT(REMOTE CONTROL)

(A)=SD60-4
(B)=SD60-4EXT
(C)=SD60-5

(D)=SD60-5EXT
(E)=
(F)=

No.	Lev.	Parts No.	Description	Q'ty						I	R
				(A)	(B)	(C)	(D)	(E)	(F)		
1	1	196460-34010	SUPPORT ASSY	1	1	1	1				
2	2	196460-02970	NUT	2	2	2	2				
3	2	196460-02950	WASHER	2	2	2	2				
5	1	196460-34020	CLAMP, CABLE	1	1	1	1				
6	1	196460-34030	CLIP, CABLE	1	1	1	1				

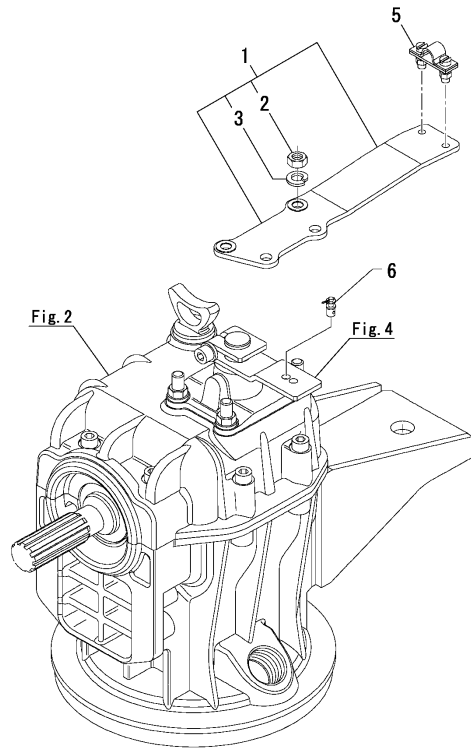
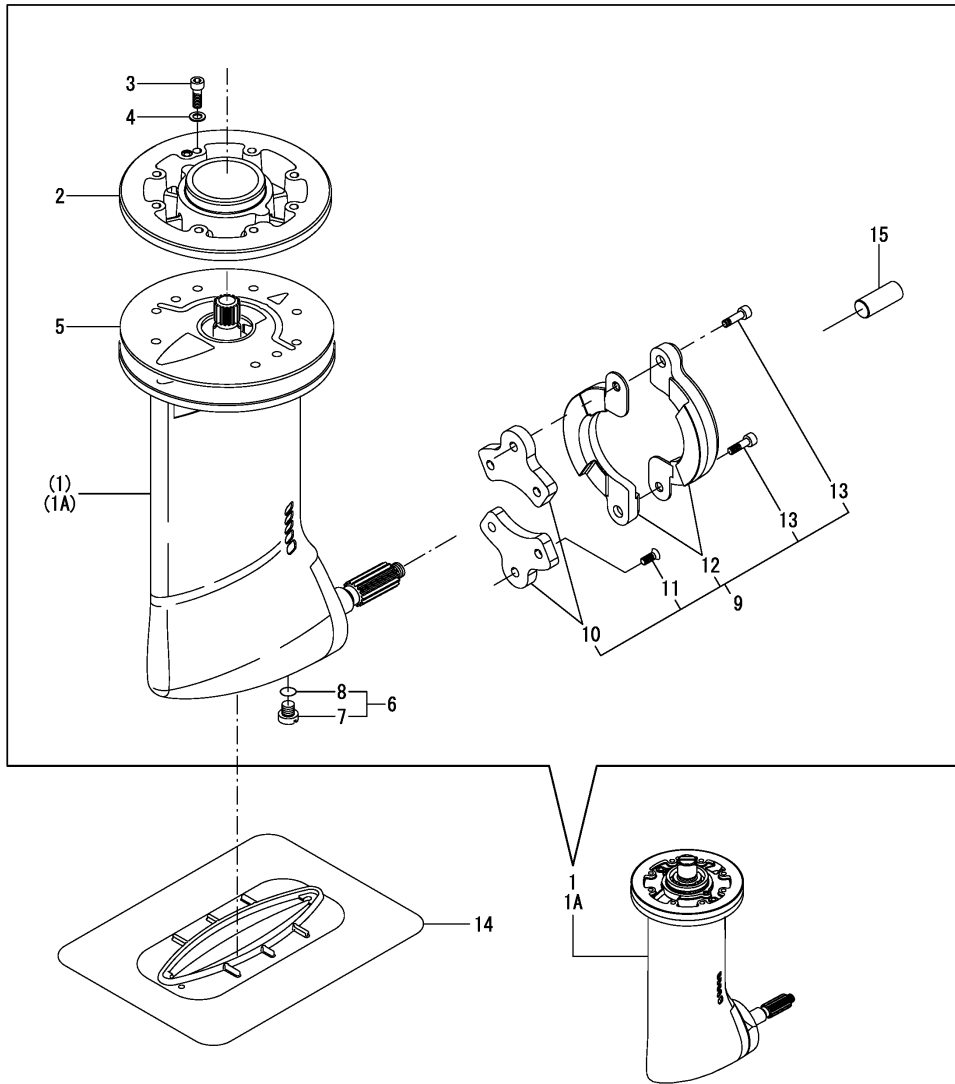


Fig.6. LOWER GEAR HOUSING

(A)=SD60-4
(B)=SD60-4EXT
(C)=SD60-5

(D)=SD60-5EXT
(E)=
(F)=

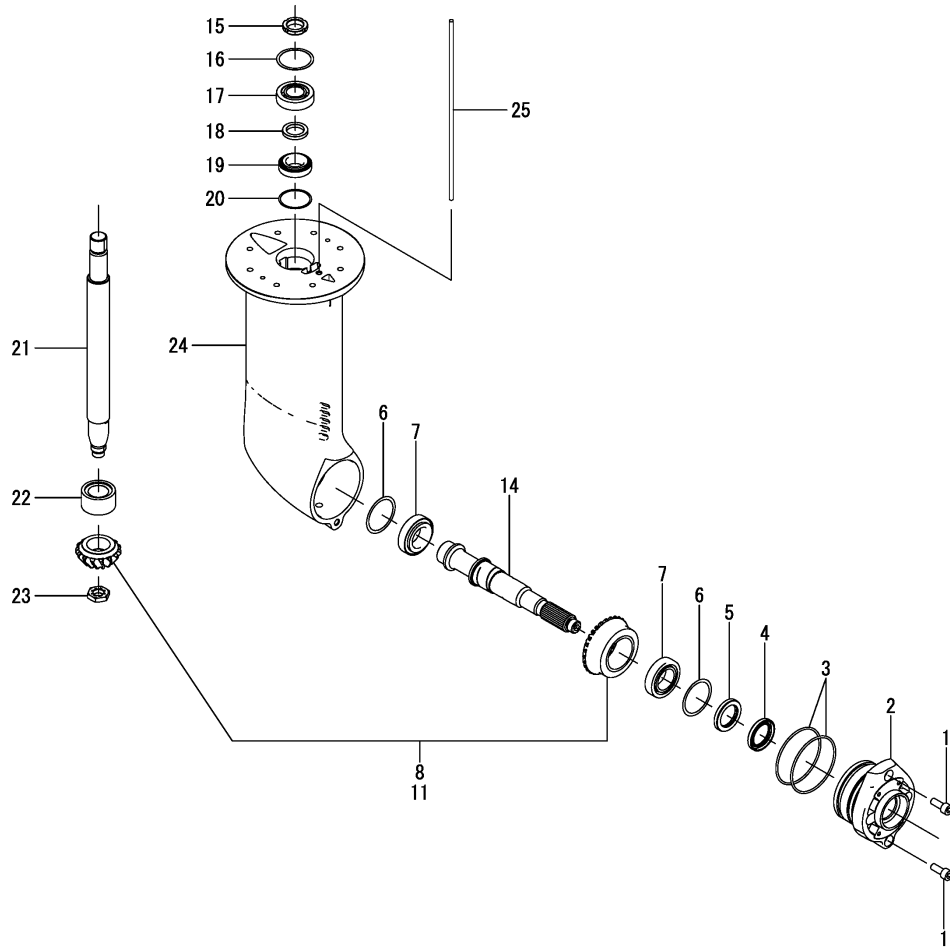


No.	Lev.	Parts No.	Description	Q'ty						I	R
				(A)	(B)	(C)	(D)	(E)	(F)		
1	1	796460-02510	HOUSING ASSY, L-2.23	1	1	1	1				
1A	1	796460-02520	HOUSING ASSY, L-2.49	1	1	1	1				
2	2	196460-02560	COVER	1	1	1	1				
3	2	196460-02570	BOLT	2	2	2	2				
3-1	2	196460-02670	BOLT	2	2	2	2				N
		(A=*2017.10.) (B=*2017.10.) (C=*2017.10.) (D=*2017.10.)									
4	2	196460-02930	WASHER	2	2	2	2				
4-1	2	196460-02530	WASHER	2	2	2	2				N
		(A=*2016.09.) (B=*2016.09.) (C=*2016.09.) (D=*2016.09.)									
5	2	196460-02580	GASKET, COVER	1	1	1	1				
6	2	196460-02590	SCREW ASSY, DRAIN	1	1	1	1				
7	3	196460-02600	SCREW, DRAIN	1	1	1	1				
8	3	196460-02610	O-RING	1	1	1	1				
9	2	196450-02491	ANODE ASSY, AL	1	1	1	1				
10	3	196440-02690	PLATE, ZINC	2	2	2	2				
11	3	196440-02701	BOLT, FLT HEAD M6X18	4	4	4	4				
12	3	196450-02500	ANODE, SEPARATE	2	2	2	2				
13	3	26453-080162	BOLT, M8X 16	2	2	2	2				
14	1	196460-02550	GASKET, HULL	1	1	1	1				
15	1	196460-02660	PROTECTOR	1	1	1	1				W
		(A=*2017.10.) (B=*2017.10.) (C=*2017.10.) (D=*2017.10.)									

Fig.10. (6A)OUTPUT SHAFT

(A)=SD60-4
(B)=SD60-4EXT
(C)=SD60-5

(D)=SD60-5EXT
(E)=
(F)=

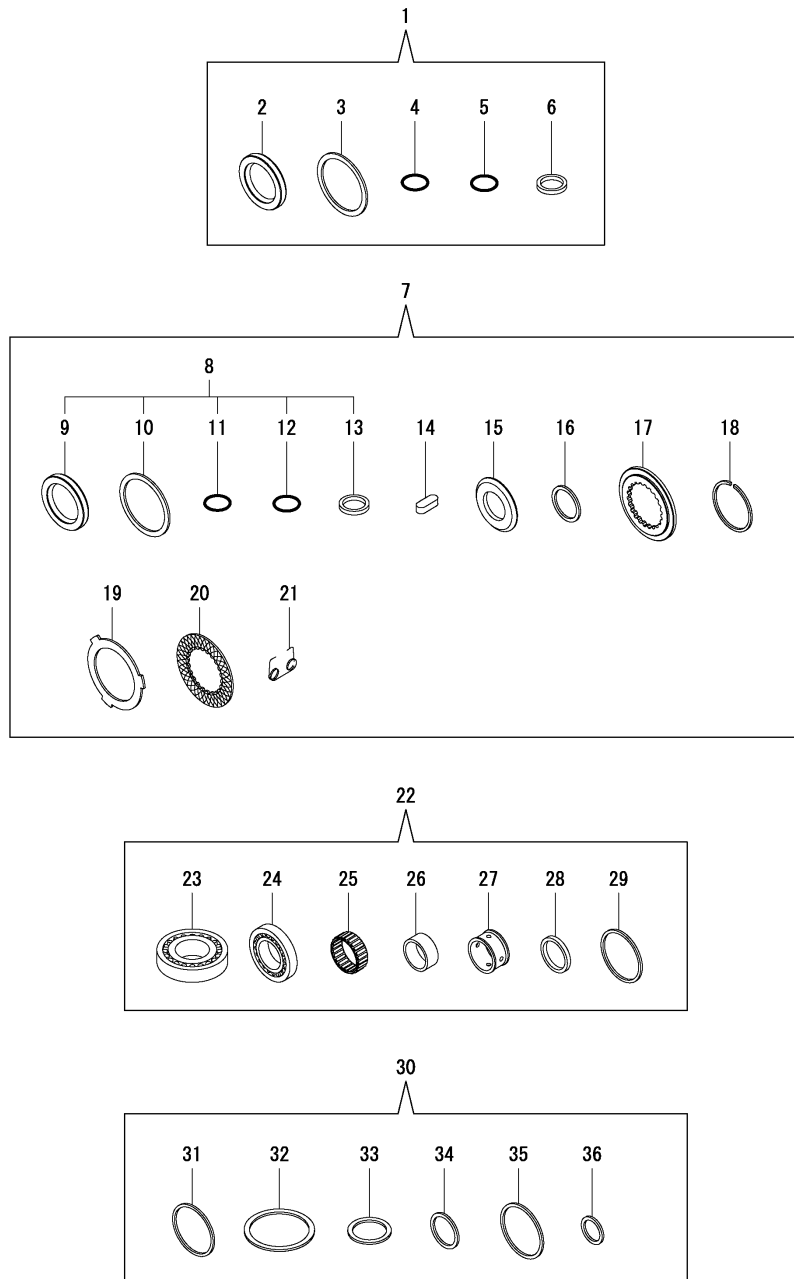


No.	Lev.	Parts No.	Description	Qty						I	R
				(A)	(B)	(C)	(D)	(E)	(F)		
1	1	196460-04760	BOLT	2	2	2	2				
2	1	196460-02640	SUPPORT, BEARING	1	1	1	1				
3	1	196460-02630	O-RING	2	2	2	2				
4	1	196460-02620	SEAL, OUTPUT	1	1	1	1				
5	1	196460-02620	SEAL, OUTPUT	1	1	1	1				
6	1	196460-02150	SHIM, 0.10	2	2	2	2				
6A	1	196460-02160	SHIM, 0.15	2	2	2	2				
6B	1	196460-02170	SHIM, 0.20	2	2	2	2				
6C	1	196460-02180	SHIM, 0.50	2	2	2	2				
6D	1	196460-02190	SHIM, 1.00	2	2	2	2				
7	1	196460-04770	BEARING	2	2	2	2				
8	1	196460-04780	GEAR SET, BEVEL 2.23	1	1	1	1				
11	1	196460-04810	GEAR SET, BEVEL 2.49	1	1	1	1				
14	1	196460-04840	SHAFT, OUTPUT	1	1	1	1				
15	1	196460-04850	NUT, RING	1	1	1	1				
16	1	196460-04860	SHIM, 0.10	1	1	1	1				
16A	1	196460-04870	SHIM, 0.15	1	1	1	1				
16B	1	196460-04880	SHIM, 0.20	1	1	1	1				
16C	1	196460-04890	SHIM, 0.30	1	1	1	1				
16D	1	196460-04900	SHIM, 0.50	1	1	1	1				
16E	1	196460-04910	SHIM, 1.00	1	1	1	1				
17	1	196460-04920	BEARING	1	1	1	1				
18	1	196460-04930	SPACER	1	1	1	1				
19	1	196460-04040	BEARING	1	1	1	1				
20	1	196460-02200	SHIM, 0.10	1	1	1	1				
20A	1	196460-02210	SHIM, 0.15	1	1	1	1				
20B	1	196460-02220	SHIM, 0.20	1	1	1	1				
20C	1	196460-02230	SHIM, 0.30	1	1	1	1				
20D	1	196460-02240	SHIM, 0.50	1	1	1	1				
20E	1	196460-02250	SHIM, 1.00	1	1	1	1				
21	1	196460-04940	SHAFT, VERTICAL	1	1	1	1				
22	1	196460-04950	BEARING, NEEDLE	1	1	1	1				
23	1	196460-04960	NUT	1	1	1	1				
24	1	196460-04970	HOUSING, LOWER	1	1	1	1				
25	1	196460-04980	PIPE	1	1	1	1				

Fig.7. REPAIR PARTS(UPPER KIT)(OPTIONAL)

(A)=SD60-4
(B)=SD60-4EXT
(C)=SD60-5

(D)=SD60-5EXT
(E)=
(F)=

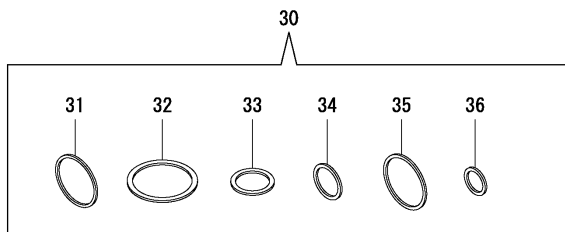
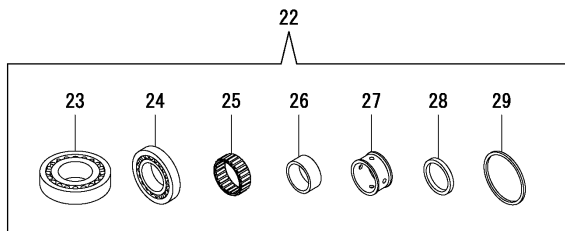
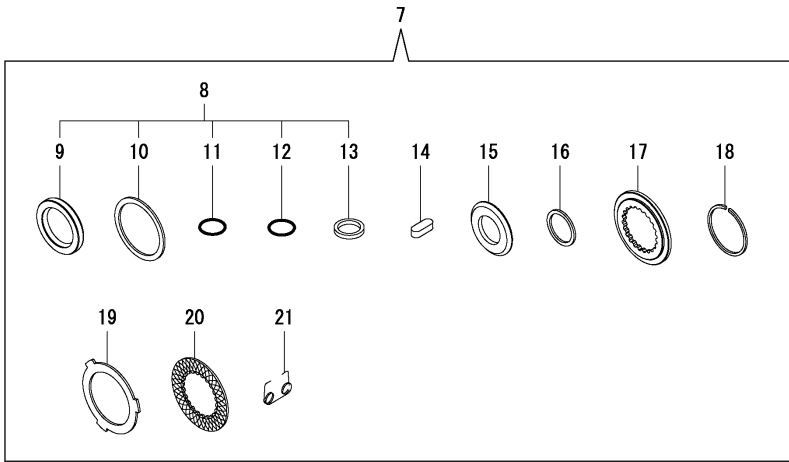
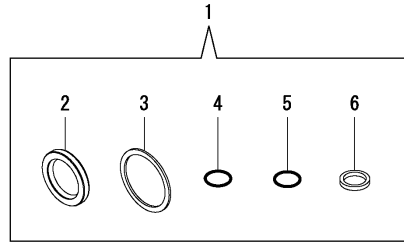


No.	Lev.	Parts No.	Description	Q'ty						I	R
				(A)	(B)	(C)	(D)	(E)	(F)		
1	1	796460-02910	SEAL KIT	1	1	1	1				
2	2	196460-02260	SEAL, INPUT	1	1	1	1				
3	2	196460-02270	GASKET	1	1	1	1				
4	2	196460-02360	O-RING	1	1	1	1				
5	2	196460-02430	O-RING	2	2	2	2				
6	2	196460-06320	RING, SEAL	1	1	1	1				
7	1	796460-02920	SEAL KIT, CLUTCH	1	1	1	1				
8	2	796460-02910	SEAL KIT	1	1	1	1				
9	3	196460-02260	SEAL, INPUT	1	1	1	1				
10	3	196460-02270	GASKET	1	1	1	1				
11	3	196460-02360	O-RING	1	1	1	1				
12	3	196460-02430	O-RING	2	2	2	2				
13	3	196460-06320	RING, SEAL	1	1	1	1				
14	2	196460-04030	KEY	2	2	2	2				
15	2	196460-04050	WASHER, THRUST	2	2	2	2				
15-1	2	196460-04430	WASHER, THRUST	2	2	2	2				N
		(A=*2017.10.) (B=*2017.10.) (C=*2017.10.) (D=*2017.10.)									
16	2	196460-04110	SHIM, 0.15	3	3	3	3				
16A	2	196460-04120	SHIM, 0.20	3	3	3	3				
16B	2	196460-04130	SHIM, 0.30	3	3	3	3				
17	2	196460-04270	DISC	2	2	2	2				
18	2	196460-04280	RING, SNAP	2	2	2	2				
19	2	196460-04290	DISC, OUTER	8	8	8	8				
20	2	196460-04300	DISC, INNER	8	8	8	8				
21	2	196460-04390	SPRING	3	3	3	3				
22	1	796460-04910	BEARING KIT	1	1	1	1				
23	2	196460-04590	BEARING	2	2	2	2				
24	2	196460-04040	BEARING	2	2	2	2				
25	2	196460-04060	BEARING, NEEDLE	4	4	4	4				
26	2	196460-04070	RING, INNER	4	4	4	4				
27	2	196460-04080	SPACER	2	2	2	2				
28	2	196460-04090	SPACER	2	2	2	2				
29	2	196460-04230	SPACER	2	2	2	2				
30	1	796460-02930	SHIM SET	1	1	1	1				
31	2	196460-02200	SHIM, 0.10	6	6	6	6				
31A	2	196460-02210	SHIM, 0.15	6	6	6	6				
31B	2	196460-02220	SHIM, 0.20	6	6	6	6				
31C	2	196460-02230	SHIM, 0.30	6	6	6	6				
32	2	196460-02150	SHIM, 0.10	3	3	3	3				
32A	2	196460-02160	SHIM, 0.15	3	3	3	3				
32B	2	196460-02170	SHIM, 0.20	3	3	3	3				
33	2	196460-04610	SHIM, 0.10	3	3	3	3				
33A	2	196460-04620	SHIM, 0.15	3	3	3	3				
33B	2	196460-04630	SHIM, 0.20	3	3	3	3				
33C	2	196460-04640	SHIM, 0.30	3	3	3	3				
34	2	196460-04110	SHIM, 0.15	3	3	3	3				
34A	2	196460-04120	SHIM, 0.20	3	3	3	3				
34B	2	196460-04130	SHIM, 0.30	3	3	3	3				
35	2	196460-04180	SHIM, 0.10	3	3	3	3				
35A	2	196460-04190	SHIM, 0.15	3	3	3	3				
35B	2	196460-04200	SHIM, 0.20	3	3	3	3				

Fig.7. REPAIR PARTS(UPPER KIT)(OPTIONAL)

(A)=SD60-4
(B)=SD60-4EXT
(C)=SD60-5

(D)=SD60-5EXT
(E)=
(F)=



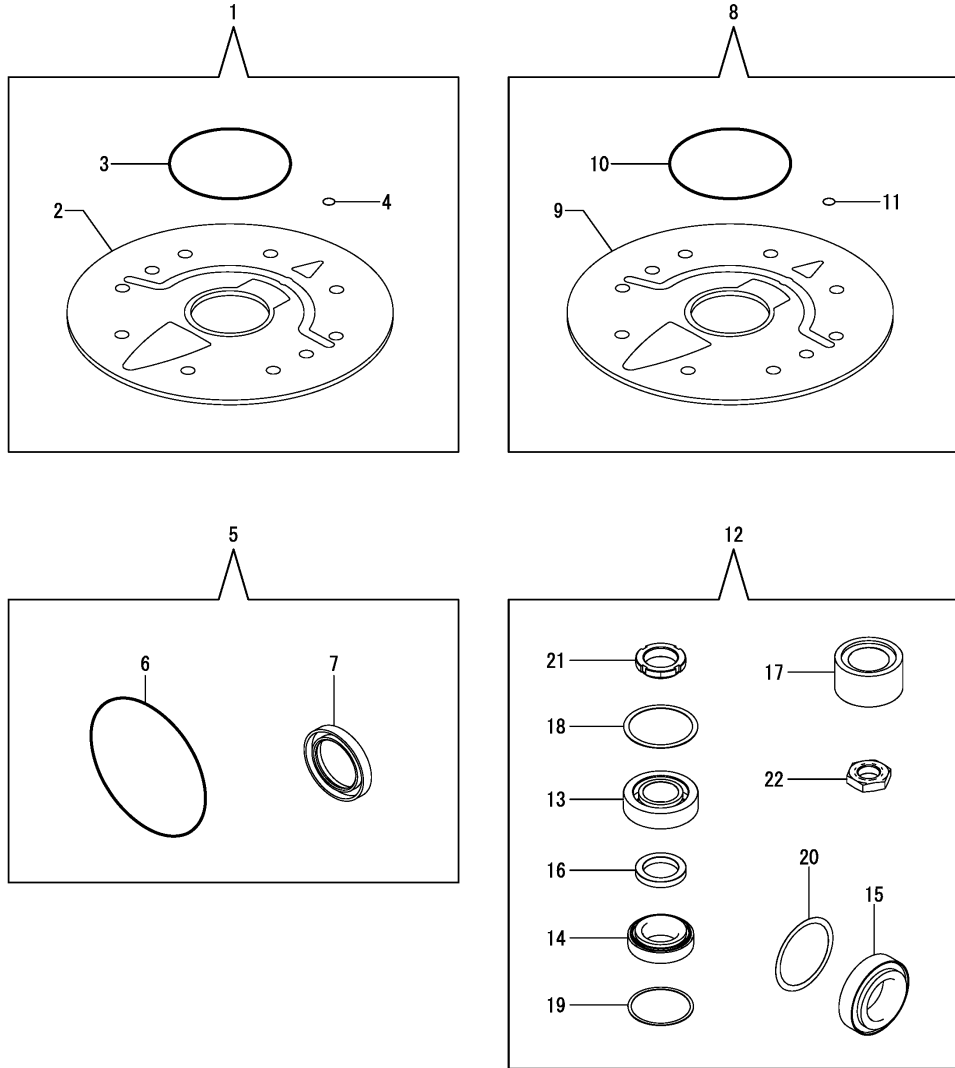
No.	Lev.	Parts No.	Description	Qty						I	R
				(A)	(B)	(C)	(D)	(E)	(F)		
35C	2	196460-04210	SHIM, 0.30	3	3	3	3				
36	2	196460-04510	SHIM, 0.10	3	3	3	3				
36A	2	196460-04520	SHIM, 0.15	3	3	3	3				
36B	2	196460-04530	SHIM, 0.20	3	3	3	3				

N:Old $\xleftrightarrow{\text{Yes}} \text{New}$, Q:Old $\xleftrightarrow{\text{No}} \text{New}$, R:Old $\xleftrightarrow{\text{Yes}} \text{New}$, S:Old $\xleftrightarrow{\text{No}} \text{New}$, W:Add, Z:Discontinued, F:Interchangeable by set, K:Qty Change
Copyright (C) 2013 YANMAR CO., LTD. All RightsReserved.

Fig.8. REPAIR PARTS(LOWER KIT)(OPTIONAL)

(A)=SD60-4
(B)=SD60-4EXT
(C)=SD60-5

(D)=SD60-5EXT
(E)=
(F)=

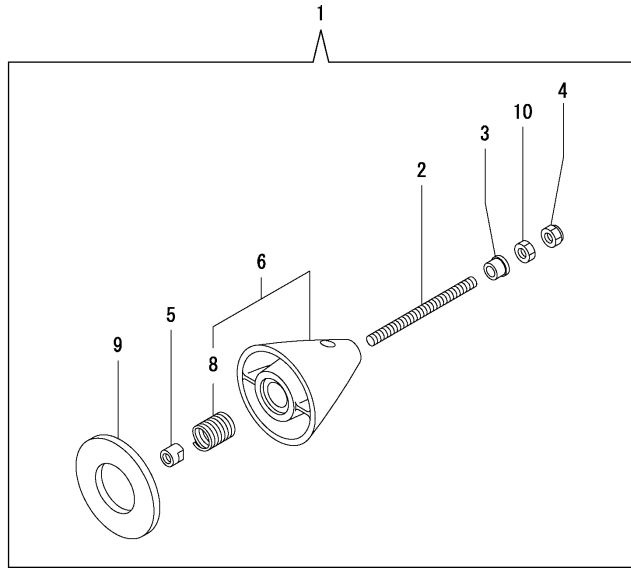


No.	Lev.	Parts No.	Description	Q'ty						I	R
				(A)	(B)	(C)	(D)	(E)	(F)		
1	1	796460-02940	SEAL KIT, COVER	1	1	1	1				
2	2	196460-02580	GASKET, COVER	1	1	1	1				
3	2	196460-02810	O-RING	1	1	1	1				
4	2	196460-02820	O-RING	2	2	2	2				
5	1	796460-02950	SEAL KIT, OUTPUT	1	1	1	1				
6	2	196460-02630	O-RING	2	2	2	2				
7	2	196460-02620	SEAL, OUTPUT	2	2	2	2				
8	1	796460-02960	SEAL KIT, COVER EXT	1	1	1	1				
9	2	196460-02580	GASKET, COVER	1	1	1	1				
10	2	196460-02810	O-RING	2	2	2	2				
11	2	196460-02820	O-RING	3	3	3	3				
12	1	796460-04950	BEARING KIT, LOWER	1	1	1	1				W
		(A=*2017.10.)	(B=*2017.10.)	(C=*2017.10.)	(D=*2017.10.)						
13	2	196460-04920	BEARING	1	1	1	1				
14	2	196460-04040	BEARING	1	1	1	1				
15	2	196460-04770	BEARING	2	2	2	2				
16	2	196460-04930	SPACER	1	1	1	1				
17	2	196460-04950	BEARING, NEEDLE	1	1	1	1				
18	2	196460-04860	SHIM, 0.10	1	1	1	1				
18A	2	196460-04870	SHIM, 0.15	1	1	1	1				
19	2	196460-02200	SHIM, 0.10	1	1	1	1				
19A	2	196460-02210	SHIM, 0.15	1	1	1	1				
20	2	196460-02150	SHIM, 0.10	2	2	2	2				
20A	2	196460-02160	SHIM, 0.15	2	2	2	2				
21	2	196460-04850	NUT, RING	1	1	1	1				
22	2	196460-04960	NUT	1	1	1	1				

Fig.9. PROPELLER NUT(OPTIONAL)

(A)=SD60-4
(B)=SD60-4EXT
(C)=SD60-5

(D)=SD60-5EXT
(E)=
(F)=



No.	Lev.	Parts No.	Description	Q'ty						I	R
				(A)	(B)	(C)	(D)	(E)	(F)		
1	1	796450-09200	NUT ASSY, PROPELLER	1	1	1	1				
2	2	196440-09150	BOLT, M8X105	1	1	1	1				
3	2	196440-09160	SPACER	1	1	1	1				
4	2	196440-09170	NUT, NYLON	1	1	1	1				
5	2	196440-09180	NUT, M8	1	1	1	1				
6	2	196440-09200	NUT ASSY, PROPELLER	1	1	1	1				
8	3	196440-09220	INSERT, 20X2.0X1.0D	1	1	1	1				
9	2	196420-09220	WASHER, PROPELLER	1	1	1	1				
10	2	26793-080002	NUT, LOCK M8	1	1	1	1				

Parts No. Index

Parts No.	Fig. No.	Ref. No.
196420-02801	1	14
196420-09220	9	9
196440-02690	6	10
196440-02701	6	11
196440-09150	9	2
196440-09160	9	3
196440-09170	9	4
196440-09180	9	5
196440-09200	9	6
196440-09220	9	8
196450-02491	6	9
196450-02500	6	12
196460-02010	2	3
196460-02030	2	41 -1 41 A-1
196460-02040	2	46
196460-02050	1	2
196460-02060	2	41 41 A
196460-02070	2	42 42 A
196460-02080	2	44 44 A
196460-02090	2	45 45 A
196460-02110	2	39
196460-02120	2	38
196460-02130	2	39 A
196460-02150	2	31
	7	32
	8	20
	10	6
196460-02160	2	31 A
	7	32 A
	8	20 A
	10	6 A
196460-02170	2	31 B
	7	32 B
	10	6 B
196460-02180	2	31 C
	10	6 C
196460-02190	2	31 D
	10	6 D
196460-02200	2	24
	3	15
	7	31
	8	19
	10	20
196460-02210	2	24 A
	3	15 A

Parts No.	Fig. No.	Ref. No.
196460-02210	7	31 A
	8	19 A
	10	20 A
196460-02220	2	24 B
	3	15 B
	7	31 B
	10	20 B
196460-02230	2	24 C
	3	15 C
	7	31 C
	10	20 C
196460-02240	2	24 D
	3	15 D
	10	20 D
196460-02250	2	24 E
	3	15 E
	10	20 E
196460-02260	2	23
	7	2 9
196460-02270	2	25
	7	3 10
196460-02280	2	26
196460-02290	2	27
196460-02300	2	32
196460-02310	1	3
196460-02320	1	4
196460-02330	1	5
196460-02340	1	6
196460-02350	2	12
196460-02360	2	13
	7	4 11
196460-02370	2	14
196460-02380	2	15
196460-02390	2	12 -1
196460-02400	1	30
196460-02420	2	16
196460-02430	2	17
	7	5 12
196460-02440	1	7
196460-02450	1	8
196460-02460	1	9
196460-02470	1	10
196460-02480	1	12
196460-02490	1	13
196460-02510	1	27 -1
196460-02520	1	27 A-1

Parts No.	Fig. No.	Ref. No.
196460-02530	1	28 -1
	6	4 -1
196460-02540	2	8
196460-02550	6	14
196460-02560	6	2
196460-02570	6	3
196460-02580	6	5
	8	2 9
196460-02590	6	6
196460-02600	6	7
196460-02610	6	8
196460-02620	8	7
	10	4 5
196460-02630	8	6
	10	3
196460-02640	10	2
196460-02650	2	47
196460-02660	6	15
196460-02670	6	3 -1
196460-02700	1	19
196460-02710	1	17
196460-02720	1	20
196460-02730	1	16 18 -1
196460-02740	1	18
196460-02750	1	16 -1
196460-02770	2	33
196460-02780	2	34 43 43 A
196460-02810	1	24 24 A
	8	3 10
196460-02820	1	25 25 A
	8	4 11
196460-02830	1	27
196460-02910	1	27 A
196460-02920	1	31
196460-02930	1	28
	6	4
196460-02940	2	6
196460-02950	1	11
	2	7
	5	3
196460-02960	2	9

Parts No.	Fig. No.	Ref. No.
196460-02970	2	10
	4	6
	5	2
196460-02980	2	11
196460-02990	2	9 -1
196460-04010	3	1
196460-04020	3	1 A
196460-04030	3	2
	7	14
196460-04040	3	3
	7	24
	8	14
	10	19
196460-04050	3	4
	7	15
196460-04060	3	5
	7	25
196460-04070	3	6
	7	26
196460-04080	3	7
	7	27
196460-04090	3	8
	7	28
196460-04100	3	9
196460-04110	3	10
	7	16 34
196460-04120	3	10 A
	7	16 A
		34 A
196460-04130	3	10 B
	7	16 B
		34 B
196460-04140	3	10 C
196460-04150	3	10 D
196460-04160	3	10 E
196460-04170	3	10 F
196460-04180	3	11
	7	35
196460-04190	3	11 A
	7	35 A
196460-04200	3	11 B
	7	35 B
196460-04210	3	11 C
	7	35 C
196460-04220	3	11 D
196460-04230	3	16
	7	29
196460-04240	3	17
196460-04250	3	18

Parts No. Index

Parts No.	Fig. No.	Ref. No.
196460-04260	3	19
196460-04270	3	20
	7	17
196460-04280	3	21
	7	18
196460-04290	3	22
	7	19
196460-04300	3	23
	7	20
196460-04310	3	24
196460-04320	3	25
196460-04330	3	26
196460-04340	3	27
196460-04350	3	28
196460-04360	3	29
196460-04370	3	30
196460-04380	3	31
196460-04390	3	32
	7	21
196460-04400	3	33
196460-04410	1	21 A
196460-04420	1	23 A
196460-04430	3	4 -1
	7	15 -1
196460-04460	1	21
196460-04470	1	23
196460-04480	1	22
		22 A
196460-04500	3	35
196460-04510	3	34
	7	36
196460-04520	3	34 A
	7	36 A
196460-04530	3	34 B
	7	36 B
196460-04540	3	34 C
196460-04550	3	34 D
196460-04560	3	36
196460-04570	2	28
196460-04580	2	29
196460-04590	2	30
	7	23
196460-04600	2	35
196460-04610	2	36
	7	33
196460-04620	2	36 A
	7	33 A
196460-04630	2	36 B
	7	33 B
196460-04640	2	36 C

Parts No.	Fig. No.	Ref. No.
196460-04640	7	33 C
196460-04650	2	37
196460-04670	3	37
196460-04710	3	24 -1
196460-04720	3	25 -1
196460-04730	3	26 -1
196460-04740	3	33 -1
196460-04760	10	1
196460-04770	8	15
	10	7
196460-04780	10	8
196460-04810	10	11
196460-04840	10	14
196460-04850	8	21
	10	15
196460-04860	8	18
	10	16
196460-04870	8	18 A
	10	16 A
196460-04880	10	16 B
196460-04890	10	16 C
196460-04900	10	16 D
196460-04910	10	16 E
196460-04920	8	13
	10	17
196460-04930	8	16
	10	18
196460-04940	10	21
196460-04950	8	17
	10	22
196460-04960	8	22
	10	23
196460-04970	10	24
196460-04980	10	25
196460-06050	4	1
196460-06110	2	18
196460-06120	2	19
196460-06130	2	20
196460-06250	4	7
196460-06260	4	2
196460-06280	4	3
196460-06310	4	8
196460-06320	4	9
	7	6
		13
196460-06330	4	10
196460-06350	4	11
196460-06710	4	4
196460-06720	4	5
196460-09250	1	29

Parts No.	Fig. No.	Ref. No.
196460-34010	5	1
196460-34020	5	5
196460-34030	5	6
23418-140000	1	15
26453-080162	6	13
26793-080002	9	10
796450-09200	9	1
796460-02010	1	1
	2	1
796460-02020	1	1 A
	2	1 A
796460-02030	1	1 -1
	2	1 -1
796460-02040	1	1 A-1
	2	1 A-1
796460-02510	1	26
	6	1
796460-02520	1	26 A
	6	1 A
796460-02910	7	1
		8
796460-02920	7	7
796460-02930	7	30
796460-02940	8	1
796460-02950	8	5
796460-02960	8	8
796460-04910	7	22
796460-04950	8	12

Parts No.	Fig. No.	Ref. No.
-----------	----------	----------